



**CHAMPION**  
**BUS, INC.**

# **PARTS CATALOG**

**Model: Defender M2**  
**Model Year: 2014**



P.O. Box 158 • Imlay City, MI 48444  
**(800) 331-5761**

To the Customer,

Congratulations on your new Champion Bus, Inc. bus. If this is your first, let me extend a warm welcome to the Champion Bus family. If you are one of the many Americans and Canadians for whom Champion Bus ownership has become a tradition, we believe that your new Champion Bus will surpass your high expectations for a motor coach. It's no exaggeration to say that your new Champion Bus represents major improvements in design and construction since the company began making buses.

Please take a few minutes to acquaint yourself with your new coach. In this manual, along with the chassis, and other O.E.Ms., you will learn a great deal about your new vehicle and any options it may have. If you have additional questions, don't hesitate to call your Champion Bus, Inc. dealer or our service department in Michigan at:

**(810-724-6474 or 800-331-5761).**

Please count on us to deliver the unparalleled support you should expect as a Champion Bus, Inc. bus owner.

Sincerely yours,

A handwritten signature in black ink, appearing to read "John Resnik". The signature is fluid and cursive, with a long horizontal stroke at the beginning.

John Resnik  
President, Champion Bus, Inc

## About this manual...

This parts catalog identifies service replacement parts for a Champion Bus, Inc.'s bus. It has been edited to a particular model, optional equipment and design configuration. Information in this manual is listed in sections. These sections include; Frame Structures, Exterior Trim, Interior Trim, Doors, Windows, Lights, Heating & Cooling, Options and more...

Use the Bookmark Tab to navigate through the manual or you can use the "Find" command to search for a particular installation or part.

## Parts Ordering Instructions...

All orders and inquiries must include: Customer, the Unit's Number and Serial Number, Part Number, description of part as shown on parts list and quantity required. Address all correspondence to the following addresses or Fax number.

Mail:	Rohrer Enterprises, Inc.. 1515 State Road, P.O. Box 100 Duncannon, PA 17020-0100	
Phone:	<b>(800) 735-6700</b> <b>(717) 957-4774</b>	
Fax:	<b>(717) 957-3897</b>	
Parts Dept:	Parts Specialist Parts Manager	Ext. 242 (parts3@rohrerbus.com) Ext 254 (ahornberger@rohrerbus.com)
Warranty Dept.	Technical Advisor	Ext. 258 (kjones@rohrerbus.com)

## General Notes:


1. This catalog contains most of the parts required from a production build. If parts other than those cataloged are required, please provide the bus unit number and serial number, plus a complete description of the parts that are not cataloged.
2. The replacement parts listed on this CD are "Factory-Authorized Parts" .
3. If ordering full assemblies, all parts shown are shipped assembled or separately.
4. As Required parts are to be ordered by specific measurement.
5. The following letter designations are used to classify parts throughout this manual:  
**A/R = As Required, NSS = Not Sold Separately, N/S = Not Shown, REF = For Reference Only**

## How to Read the Page...

Parts at General Coach and Champion Bus, Inc. are organized in assembly numbers (ie. 0416278). The assembly number displayed on the page is a combination of attached parts logically grouped together. This is translated to the pages of our catalogs/manuals. Below is an explanation of what this means to you.

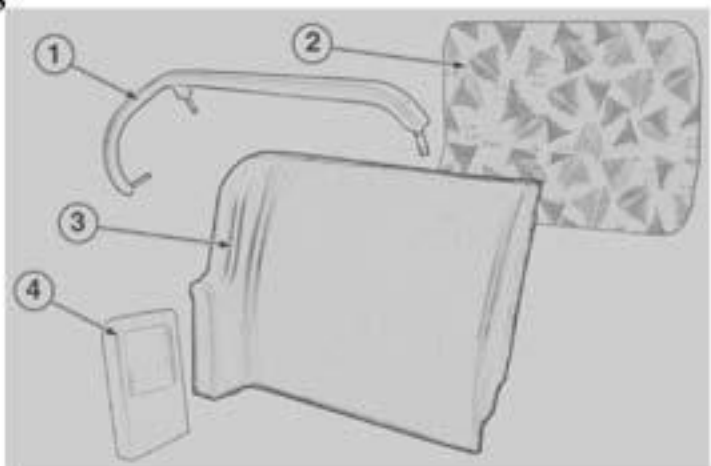
1. Designates General Coach or Champion Bus
2. Section Number and Description
3. Picture of Assembly
4. Summary of Assembly
5. Assembly Number and Description
6. Item Number, Corresponding with Picture
7. Part Number
8. GCA/CBI Part Description
9. Quantity of Parts within Assembly
10. Notes, if needed
11. Latest Revision Date
12. Page Number
13. Name of Book

**1**



**2** Section - 4 Interior

**3**



**4**  
R/S MODESTY PANEL & GRAB HANDLE

ITEM	PART NO.	DESCRIPTION	QTY
<b>5</b>	0416278	Driver's Side Modesty Panel	
<b>6</b>	<b>7</b> 01 0378619	<b>8</b> Grabrail, Driver's Modesty Panel	<b>9</b> 1
	02	Fabric, Modesty Panel	1
	03	3371817 Panel, Modesty D/S - SR	1
	04	3371816 Panel, Modesty D/S STACKED RAIL	1

**10** Fabric Panels are Produced on an "As Call" Basis. Contact your Dealer to Order This Part.

**11** Revised 12/07

**12** Page 43

**13** ABC 2013 New Coach

# CONTENTS

<b>Section 1.....</b>	<b>Frame &amp; Structure</b>
<b>Section 2.....</b>	<b>Exterior</b>
<b>Section 3.....</b>	<b>Interior</b>
<b>Section 4.....</b>	<b>Electrical</b>
<b>Section 5.....</b>	<b>Doors</b>
<b>Section 6.....</b>	<b>Windows</b>
<b>Section 7.....</b>	<b>Lighting</b>
<b>Section 8.....</b>	<b>Heating &amp; Cooling</b>
<b>Section 9.....</b>	<b>Safety &amp; Decals</b>
<b>Section 10.....</b>	<b>Major Options</b>

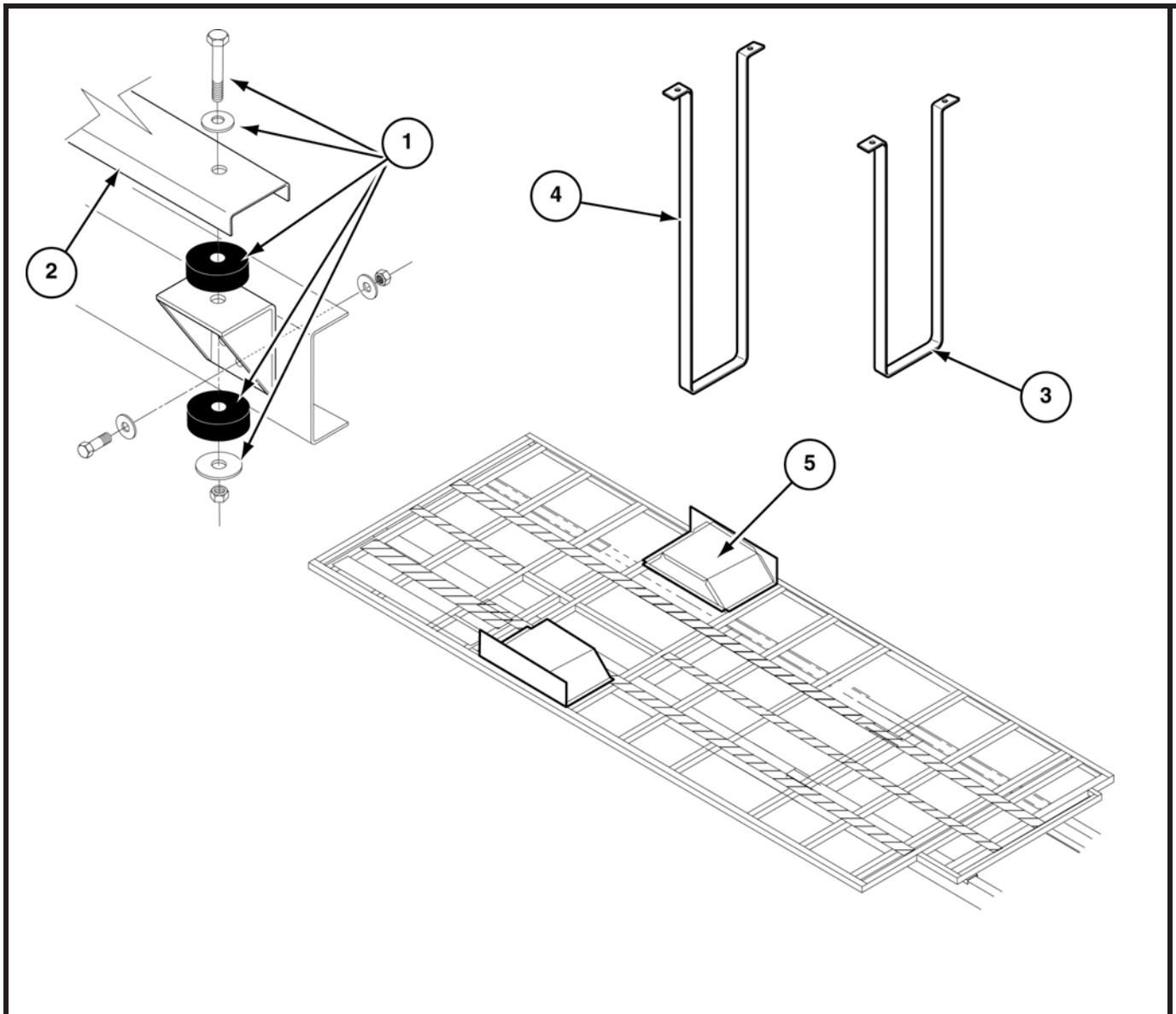


**CHAMPION**  
**BUS, INC.**  
Thor Industries Commercial Bus Division

# **SECTION 1:**

# **FRAME & STRUCTURE**



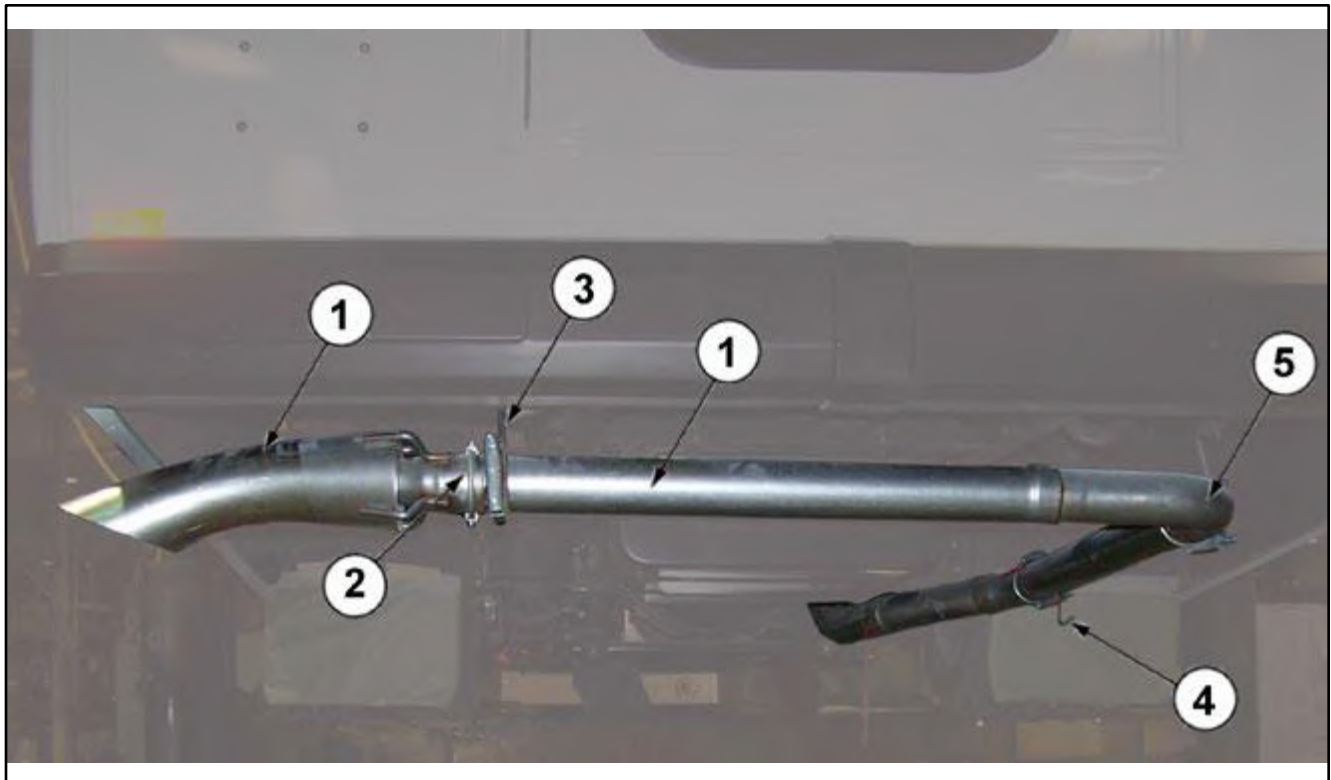
<i>ITEM PARTNO. DESCRIPTION</i>	<i>QTY</i>	<i>ITEM PARTNO. DESCRIPTION</i>	<i>QTY</i>
01 0170850 MOUNT, RUBBER CHASSIS DONUT FORD	6		
02 0377153 CHANNEL, .25" x 1.25" x 4.62" x 96"HRS	2		
03 0365775 PROTECTOR, DRIVE SHAFT 14"	1		
04 0350959 PROTECTOR, DRIVE SHAFT 20"	1		
05 3371115 COVER, WHEELWELL POLYETHYLENE	2		



## **GROMMETS - FLOOR PASS THROUGH CX0000020128**

<u>ITEM</u>	<u>PART NO.</u>	<u>DESCRIPTION</u>	<u>QTY</u>	<u>ITEM</u>	<u>PART NO.</u>	<u>DESCRIPTION</u>	<u>QTY</u>
01	3971515	Grommet, 2-1/8" x 1-3/16" ID	3				

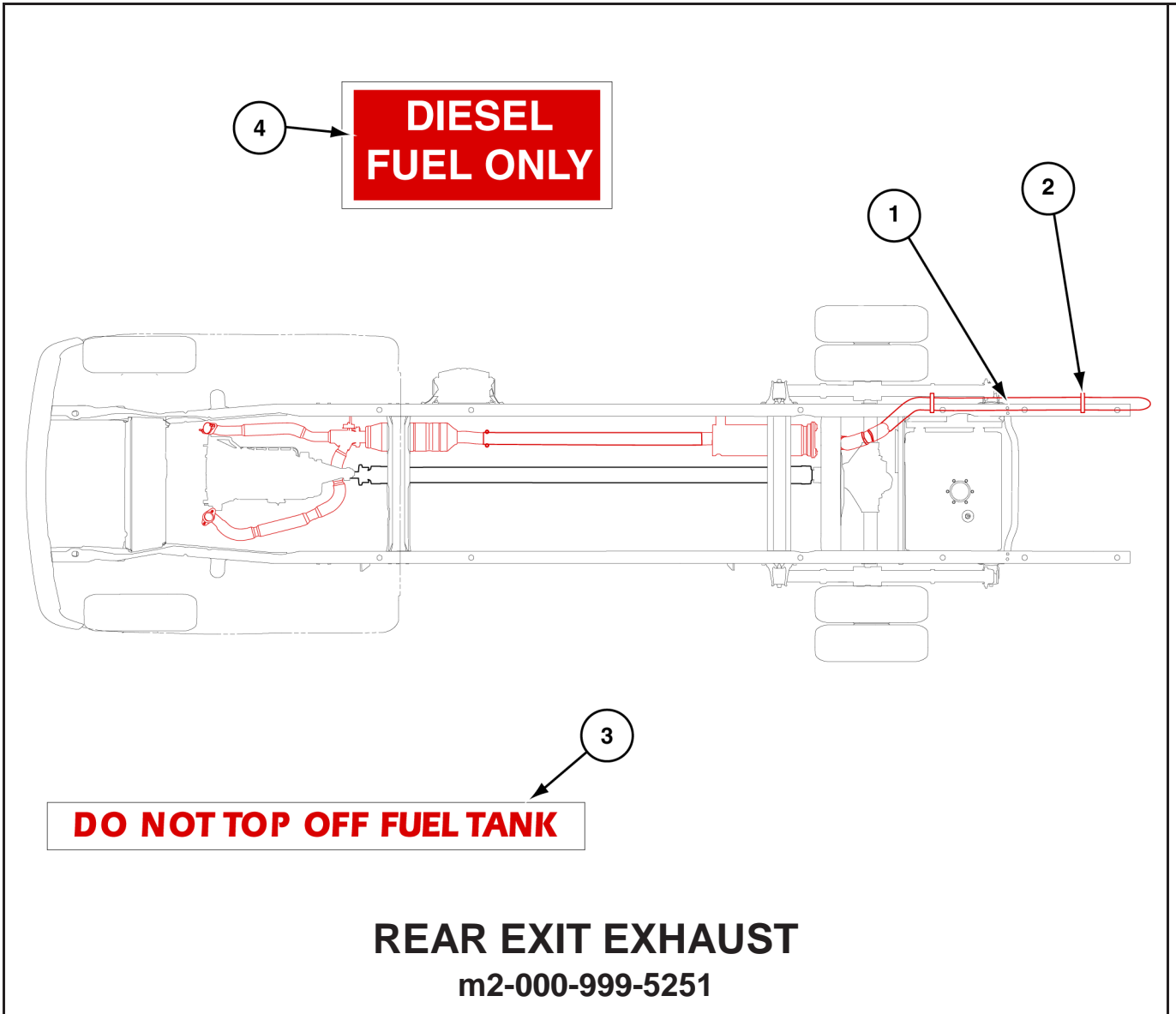




## street side exhaust - diesel

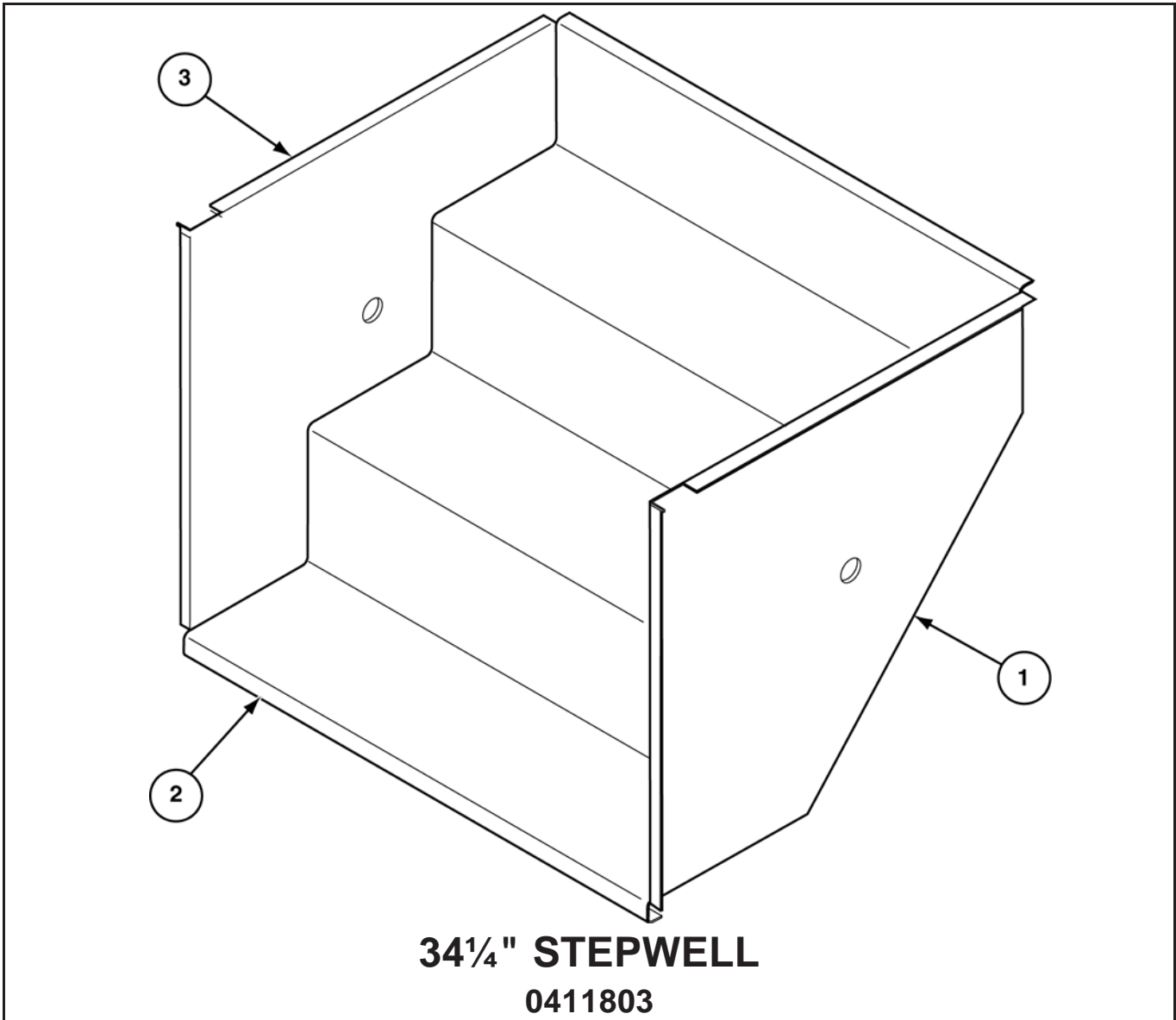
### M2-000-999-4047

<i>ITEM</i>	<i>PART NO.</i>	<i>DESCRIPTION</i>	<i>QTY</i>	<i>ITEM</i>	<i>PART NO.</i>	<i>DESCRIPTION</i>	<i>QTY</i>
1	0349332	Pipe, Exhaust 4" x 10' Aluminized	2				
	0171027	Pipe, Exhaust 4" S/S Alum. M2	1				
	0171028	Pipe, Exhaust 4" S/S Alum. M2	1				
2	4970433	Clamp, Tail Pipe 4"	5				
3	0378788	Rod, Exhaust Support	10				
4	4970426	Hanger, Tail Pipe	5				
05	0170494	Elbow, 4" 90 Deg 10 x 10 Steel	1				
NS	1570446	Insulator, Rubber 3/8" Exhaust Hanger	5				
NS	0170494	Elbow, 4" 90 Deb 10 x 10 Steel	1				

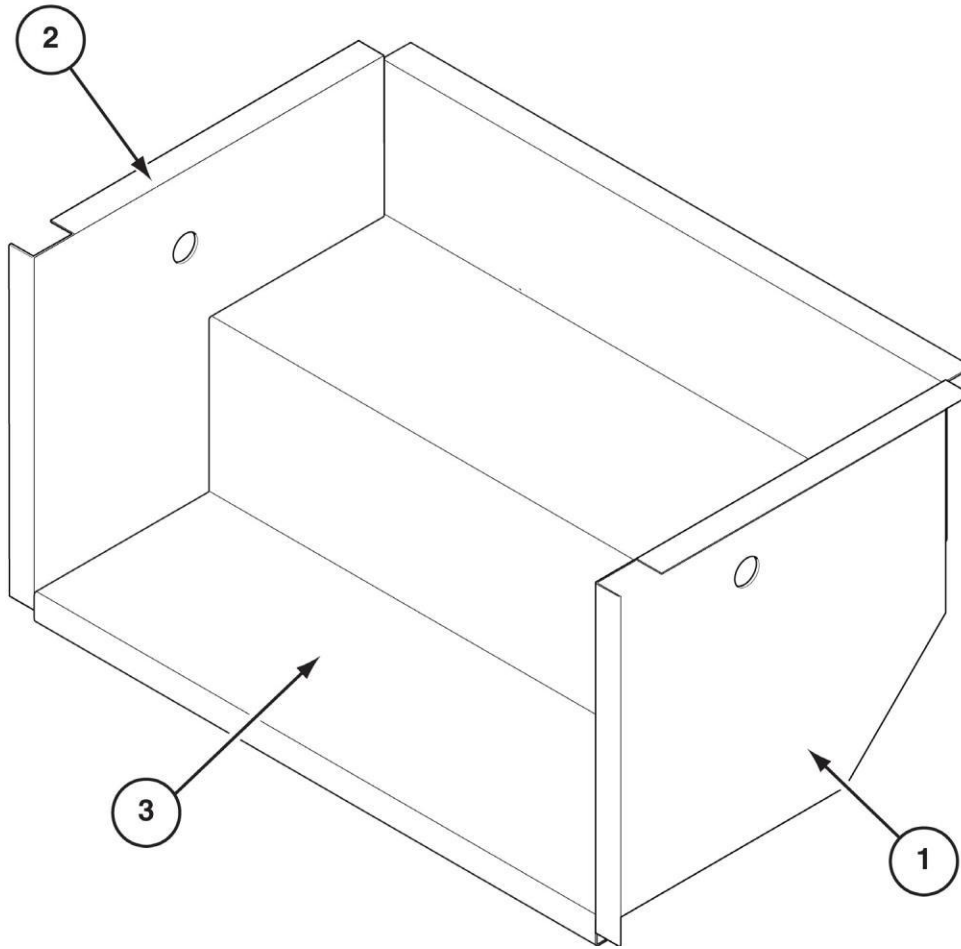


**REAR EXIT EXHAUST**  
m2-000-999-5251

<i>ITEM</i>	<i>PART NO.</i>	<i>DESCRIPTION</i>	<i>QTY</i>	<i>ITEM</i>	<i>PART NO.</i>	<i>DESCRIPTION</i>	<i>QTY</i>
1	0171027	PIPE, EXHAUST 4" S/S ALUMINIZED M2	1				
	0171028	PIPE, EXHAUST 4" S/S ALUM. M2	1				
2	4970426	HANGER, TAIL PIPE	1				
2	4970433	CLAMP, TAIL PIPE 4"	2				
3	8945016	DECAL, DO NOT TOP OFF FUEL TANK	1				
4	8940215	DECAL, DIESEL FUEL ONLY AD61	1				
NS	0378788	ROD, EXHAUST SUPPORT	5				
NS	1570446	INSULATOR, RUBBER 3/8" EXHAUST HANGER	4				

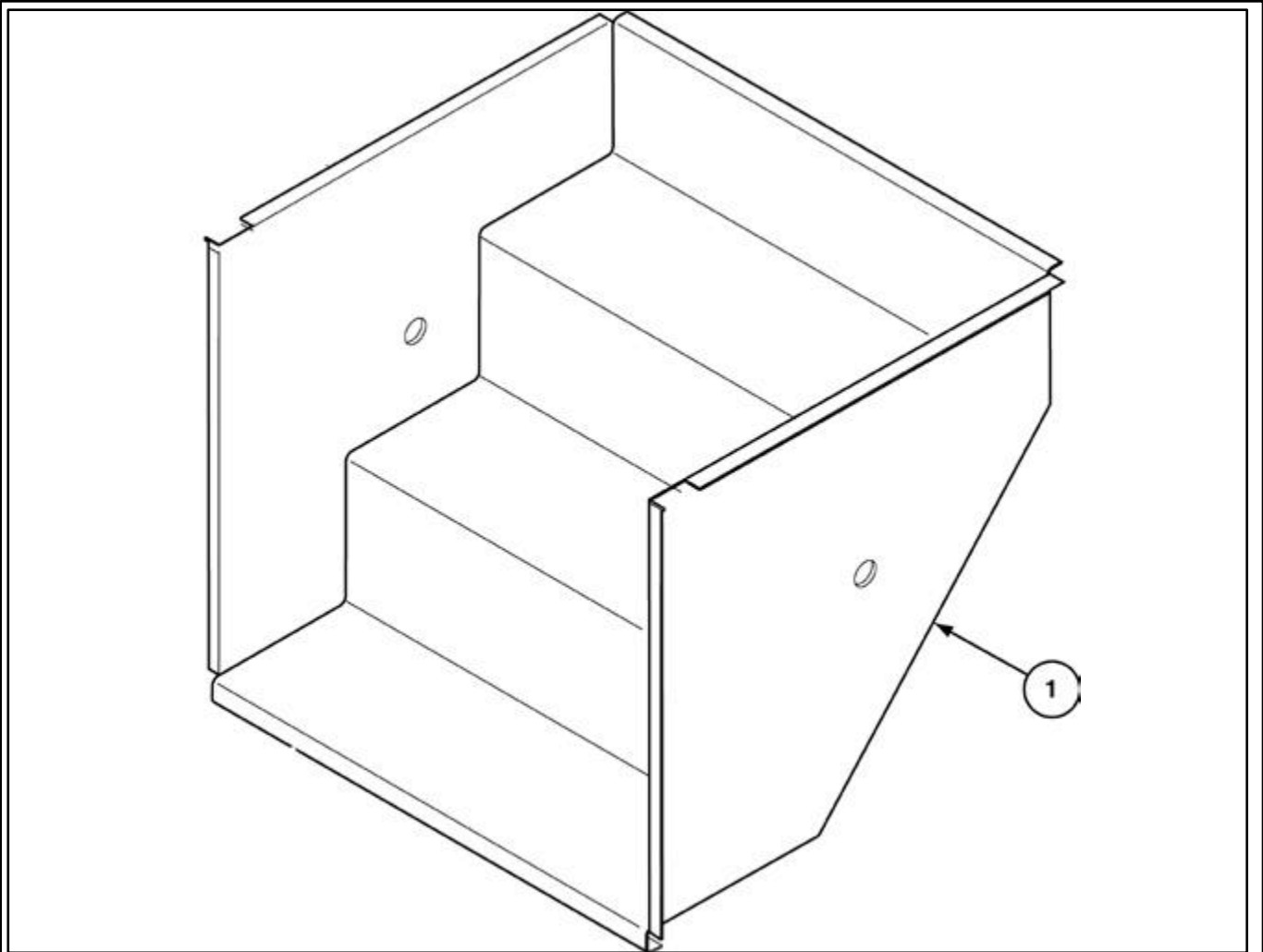


<i>ITEM PART NO. DESCRIPTION</i>	<i>QTY</i>	<i>ITEM PART NO. DESCRIPTION</i>	<i>QTY</i>
01 0373923 SIDE, STEPWELL FRONT	1		
02 0377320 STEP, CTS STEPWELL (48.88" 11GA)	1		
03 0373924 SIDE, STEPWELL REAR	1		



**34 1/4" POWDER COATED STEPWELL  
0417758**

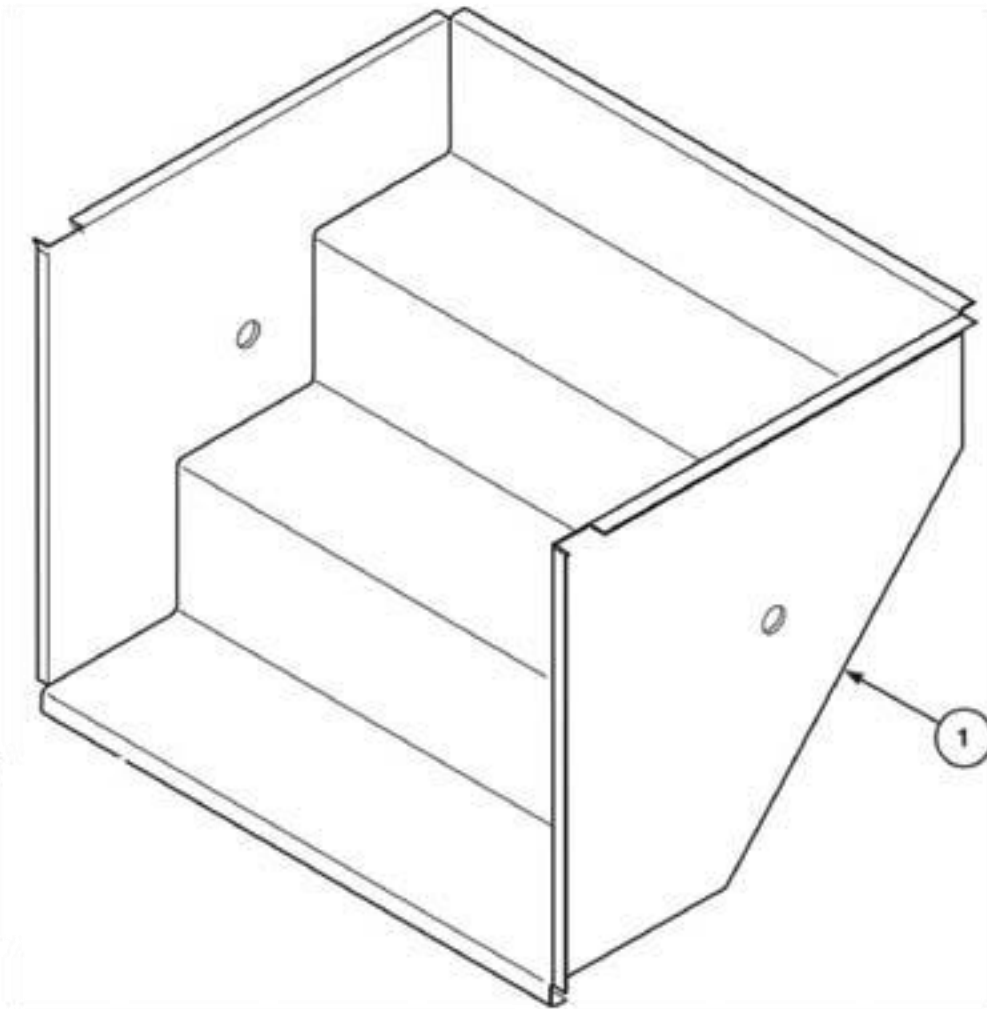
<i>ITEMPART NO.</i>	<i>DESCRIPTION</i>	<i>ITEMPART NO.</i>	<i>DESCRIPTION</i>
1	0379078 STEP, ASSY 34.25 14GA BIK PWDR GM560	1	
2	SAME AS ABOVE	1	
3	0378776 SEALANT, SILICONE CLEAR	AR	



**STEPWELL, 30", LOWER 3" (22.5" TIRE)**  
**0418179, 0379180**

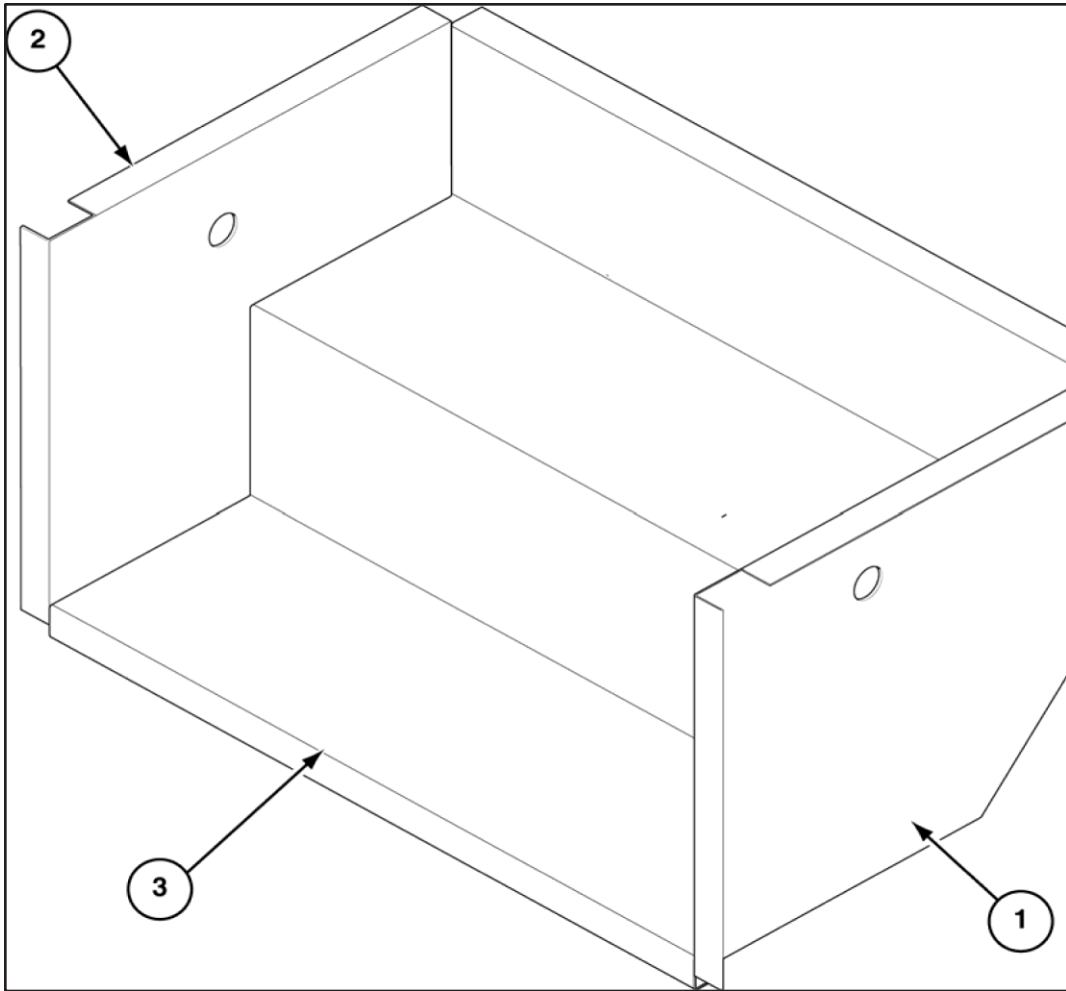
<i>ITEM PART NO. DESCRIPTION</i>	<i>QTY</i>	<i>ITEM PART NO. DESCRIPTION</i>	<i>QTY</i>
----------------------------------	------------	----------------------------------	------------

0379180 Step, 34.25 14GA S/S INT'L 22.5" TIRE	1		
---	---	--	--



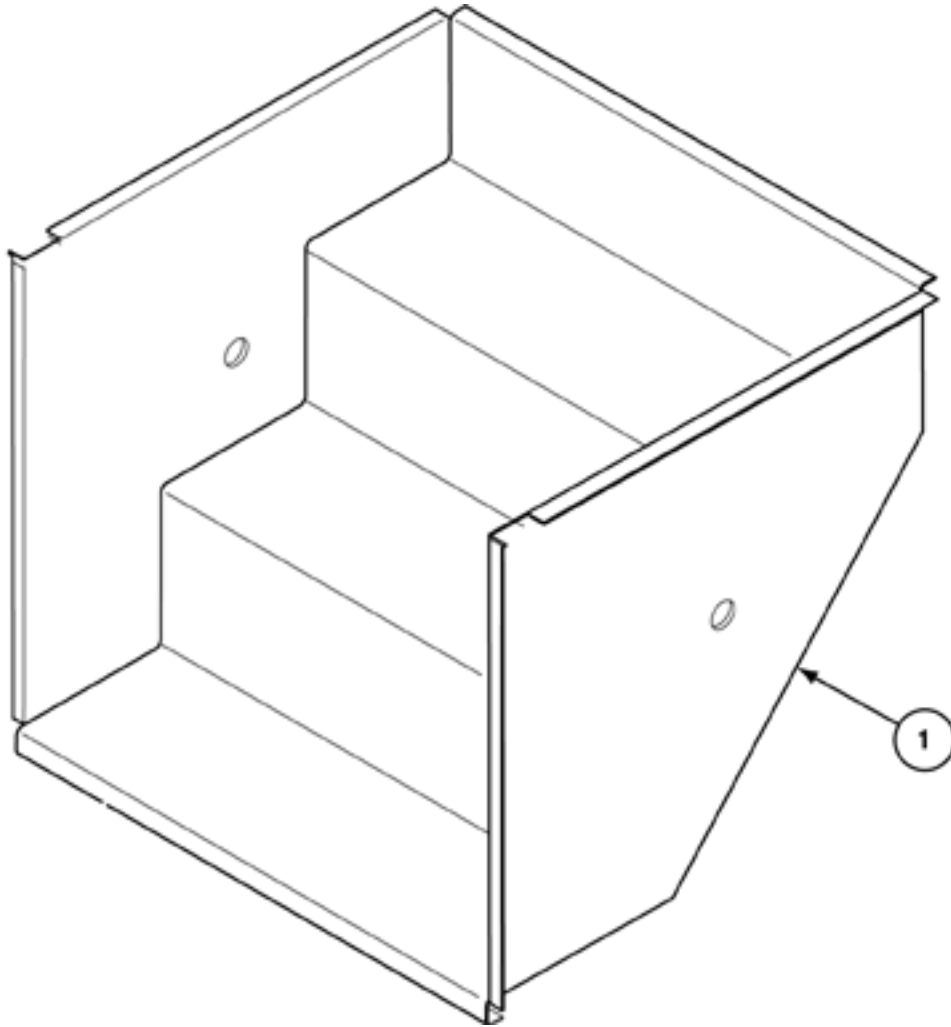
**stepwell, 36" powder coated**  
**0417766**

<i>ITEM PART NO. DESCRIPTION</i>	<i>QTY</i>	<i>ITEM PART NO. DESCRIPTION</i>	<i>QTY</i>
01 0379081 Step, 36" Assy 14GA Blk Powder Coat	1		



**STEPWELL, 44.25" PoWdEr coaTEd  
0417764**

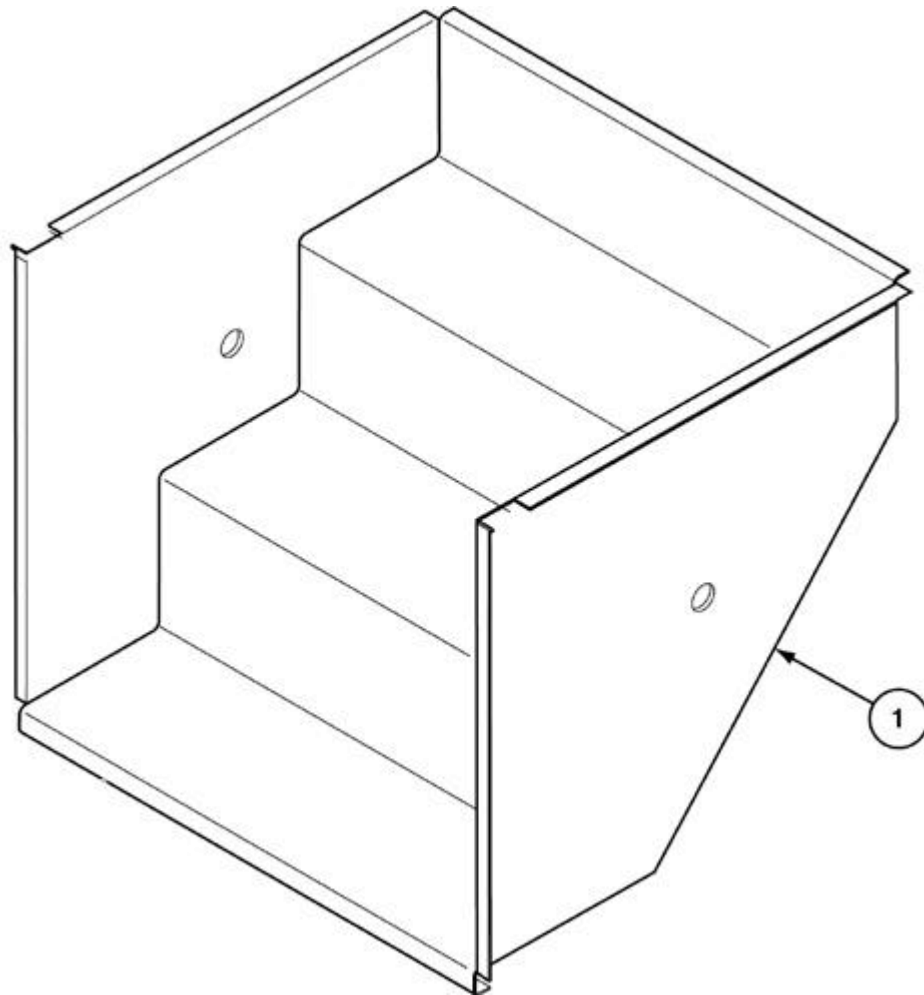
<i>ITEM PART NO. DESCRIPTION</i>	<i>QTY</i>	<i>ITEM PART NO. DESCRIPTION</i>	<i>QTY</i>
1 0379079 Step, Assy 44.25" 14GA Blk Powd Ct	1		
2 NA			
3 NA			



**STEPWELL, 40" BLACK M2 HYBRID (22.5" TIRE)**  
**0419692, 0379358**

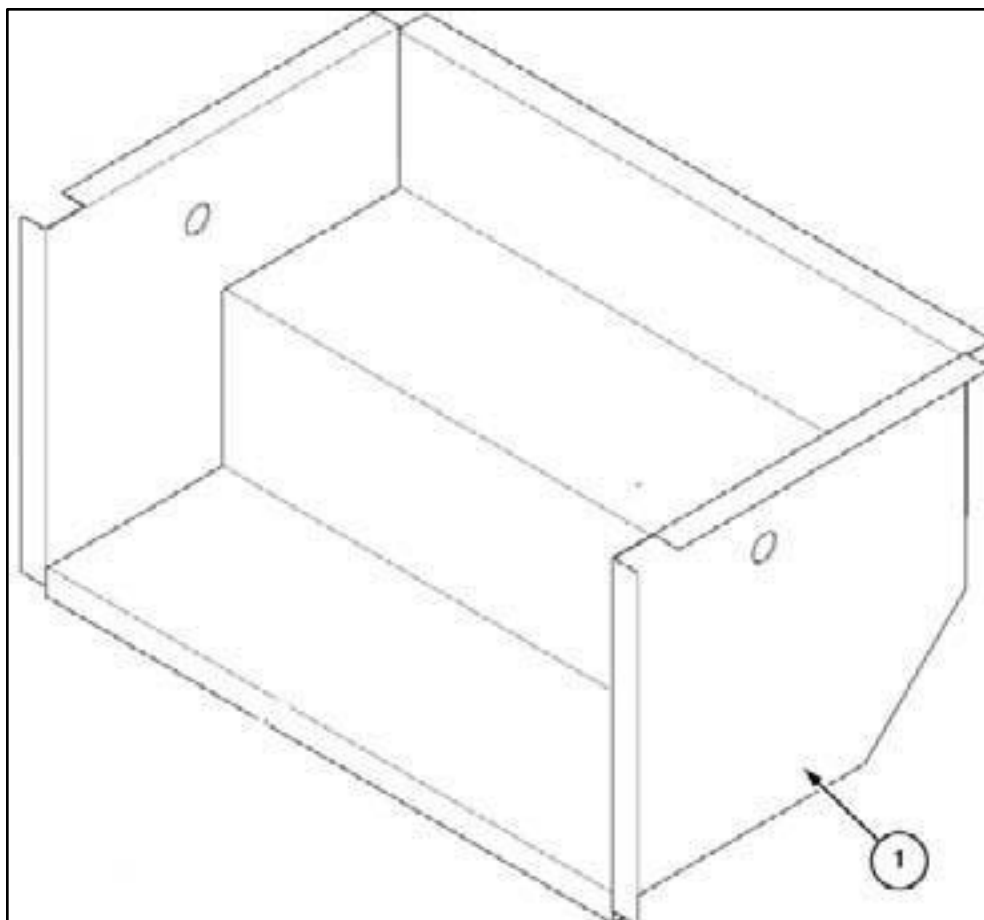
<i>ITEM</i>	<i>PART NO.</i>	<i>DESCRIPTION</i>	<i>QTY</i>	<i>ITEM</i>	<i>PART NO.</i>	<i>DESCRIPTION</i>	<i>QTY</i>
01	0379358	Step, 44.25" 14GA BLK Powder Coat M2	1				
NS	3975513	Harness, Step Light Ext.	1				





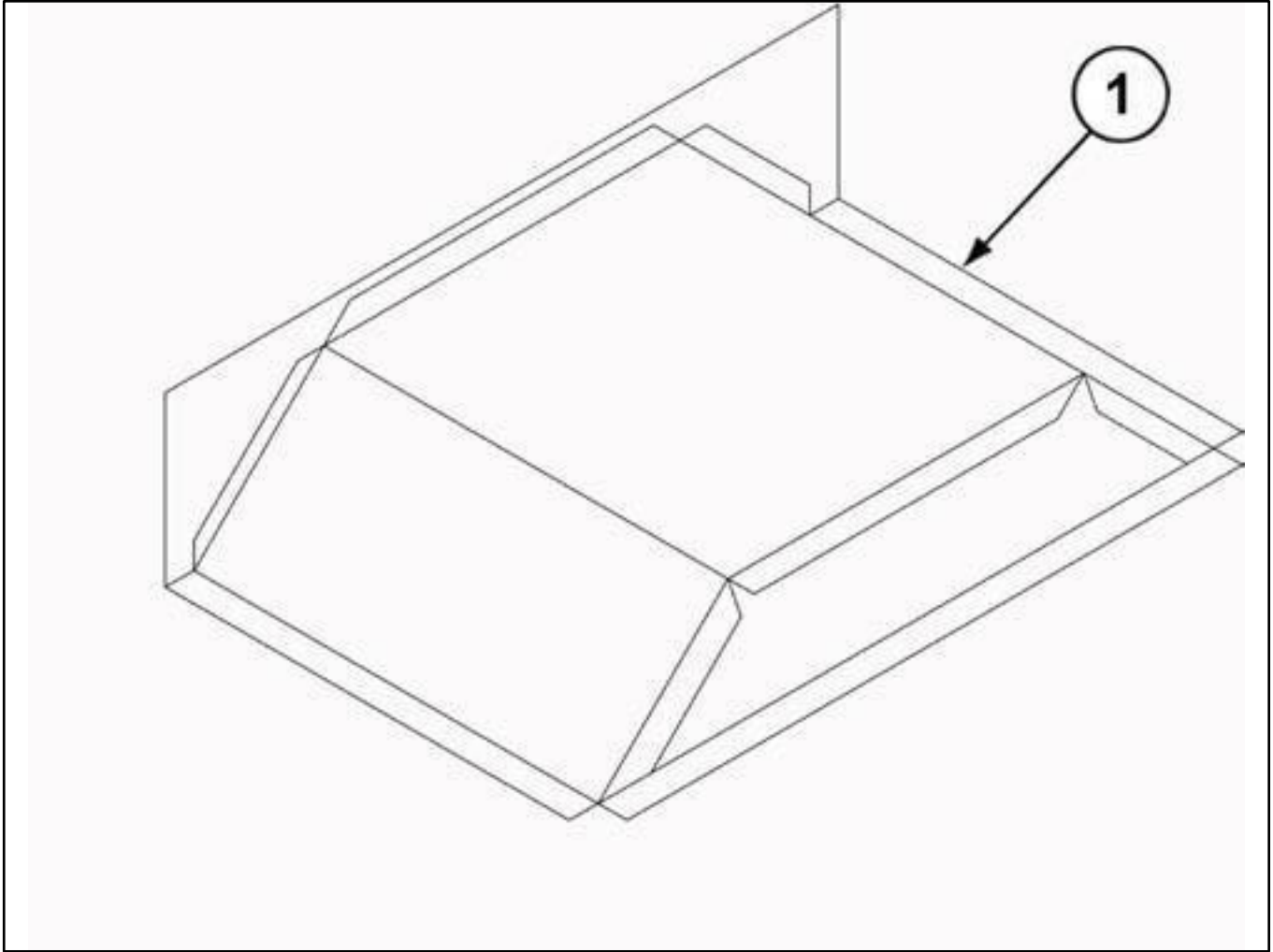
**STEPWELL, M2 HYBRID  
0418727**

<i>ITEM</i>	<i>PART NO.</i>	<i>DESCRIPTION</i>	<i>QTY</i>	<i>ITEM</i>	<i>PART NO.</i>	<i>DESCRIPTION</i>	<i>QTY</i>
01	0379224	STEP, ASSY 34.25 14GA BLACK M2 DF	1				



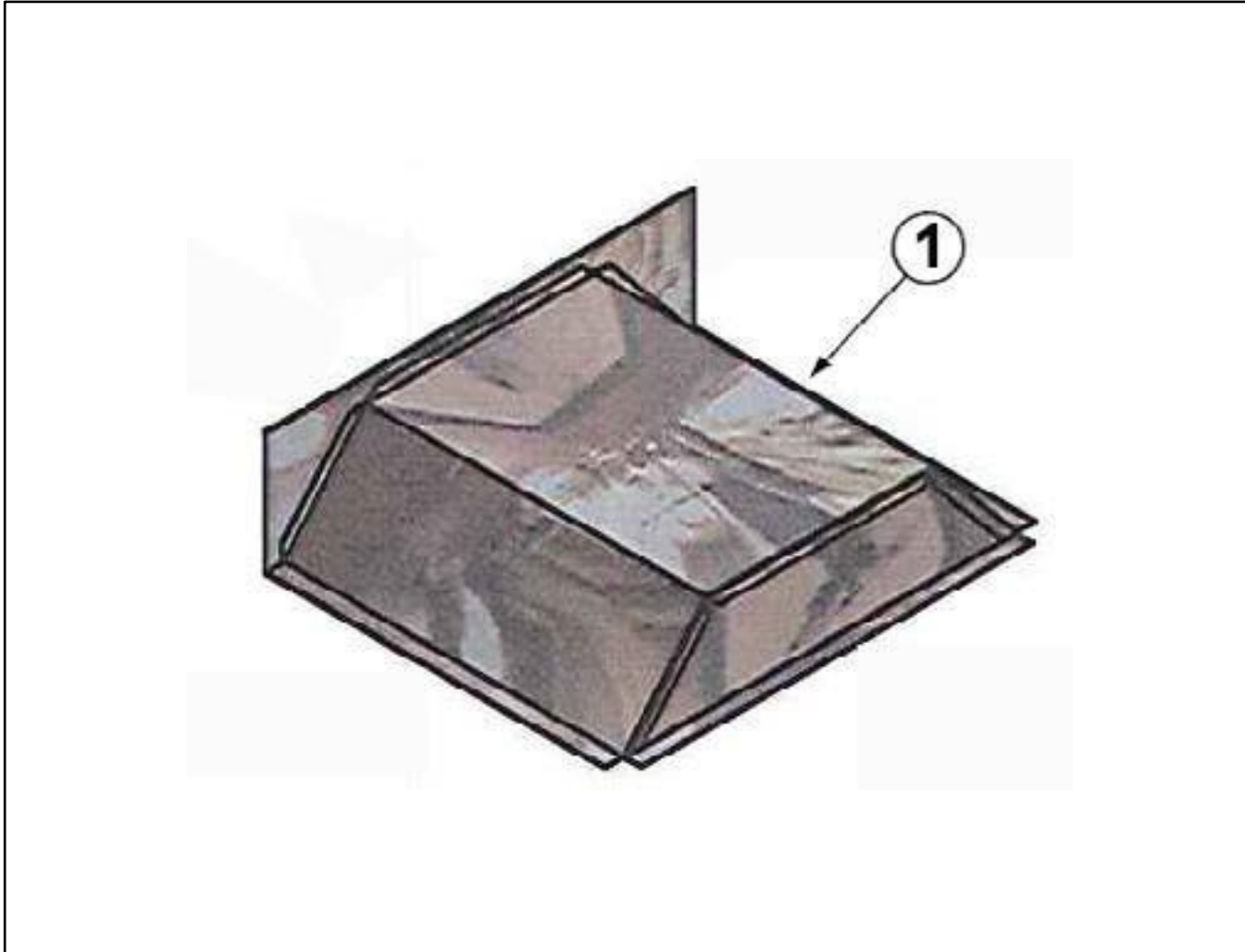
**34-1/4" STEPWELL, SS gm560  
0417151**

<i>ITEM</i>	<i>PART NO.</i>	<i>DESCRIPTION</i>	<i>QTY</i>	<i>ITEM</i>	<i>PART NO.</i>	<i>DESCRIPTION</i>	<i>QTY</i>
01	0378892	Step, Assy 34.25 14GA S/S GMT560	1				



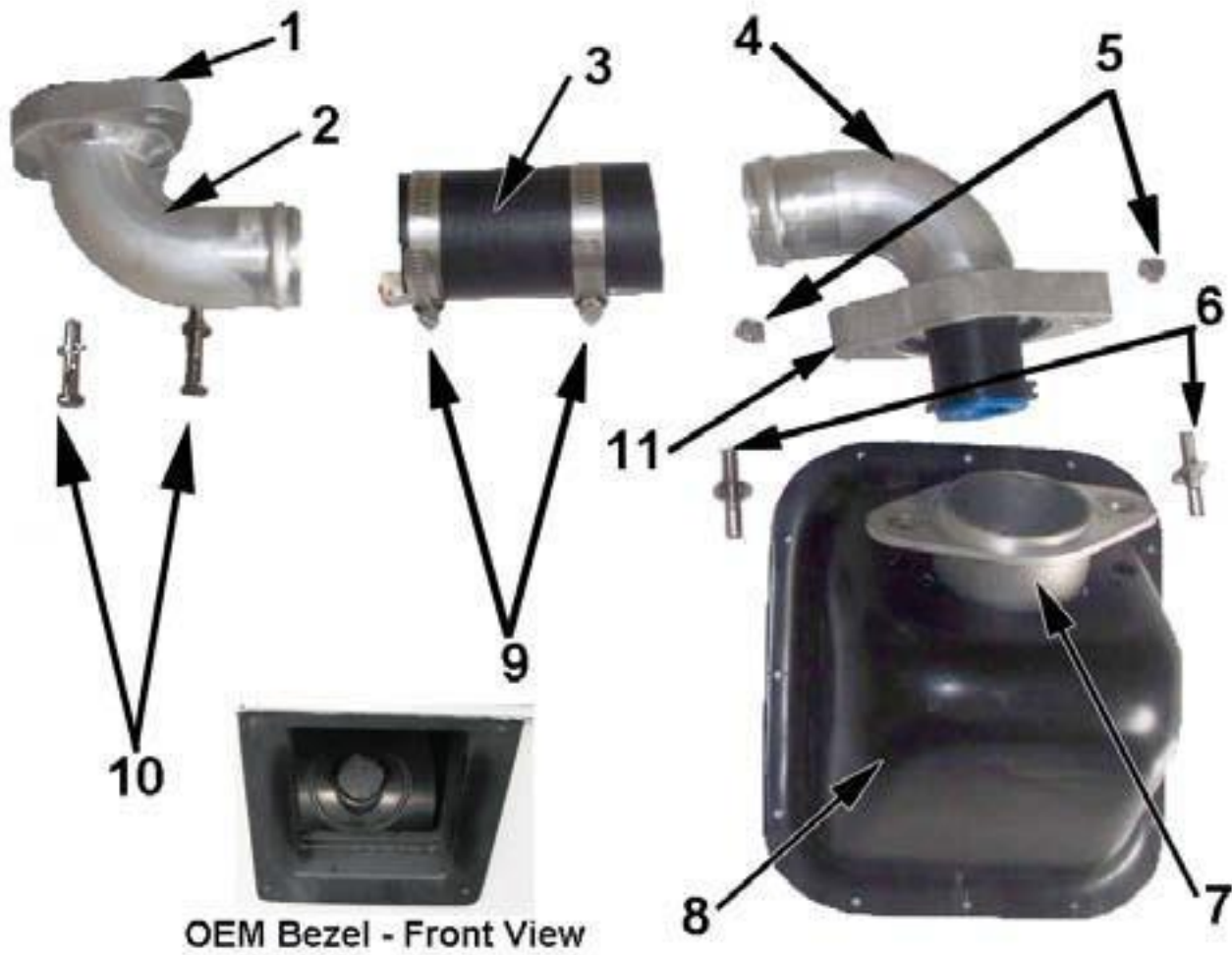
**wheelwell m2 GAlVANIZeD**  
**0379254**

<i>ITEM</i>	<i>PART NO.</i>	<i>DESCRIPTION</i>	<i>QTY</i>	<i>ITEM</i>	<i>PART NO.</i>	<i>DESCRIPTION</i>	<i>QTY</i>
01	0379254	Wheelwell, M2 FRT GALV ASSY	2				



**wheelwell 14ga galvanized**  
**0379598 (rev-a)**

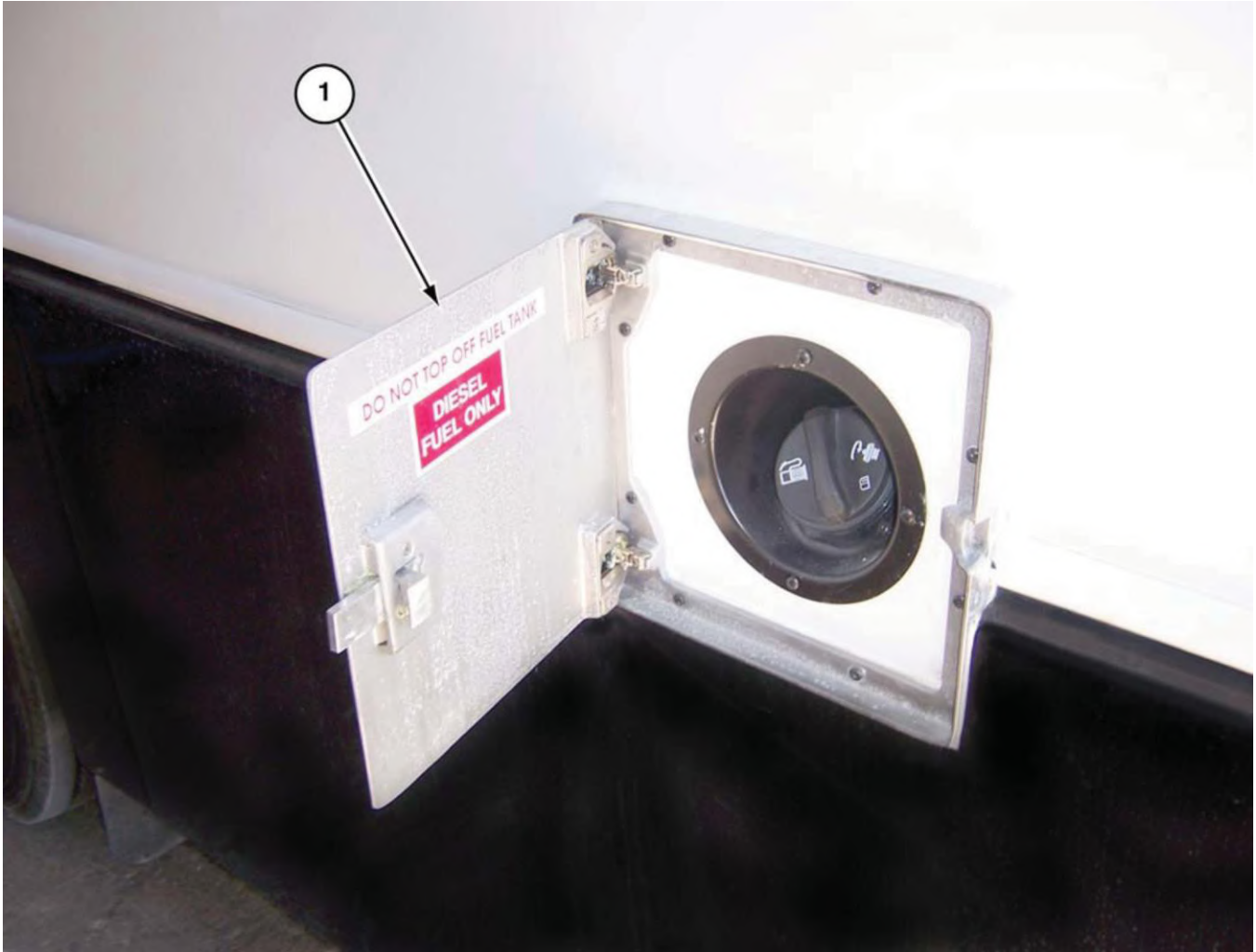
<i>ITEM PART NO. DESCRIPTION</i>	<i>QTY</i>	<i>ITEM PART NO. DESCRIPTION</i>	<i>QTY</i>
01 0379598 Wheelwell, 14GA Galvanized			



## M2 DEF TANK/BATTERY BOX 0420448

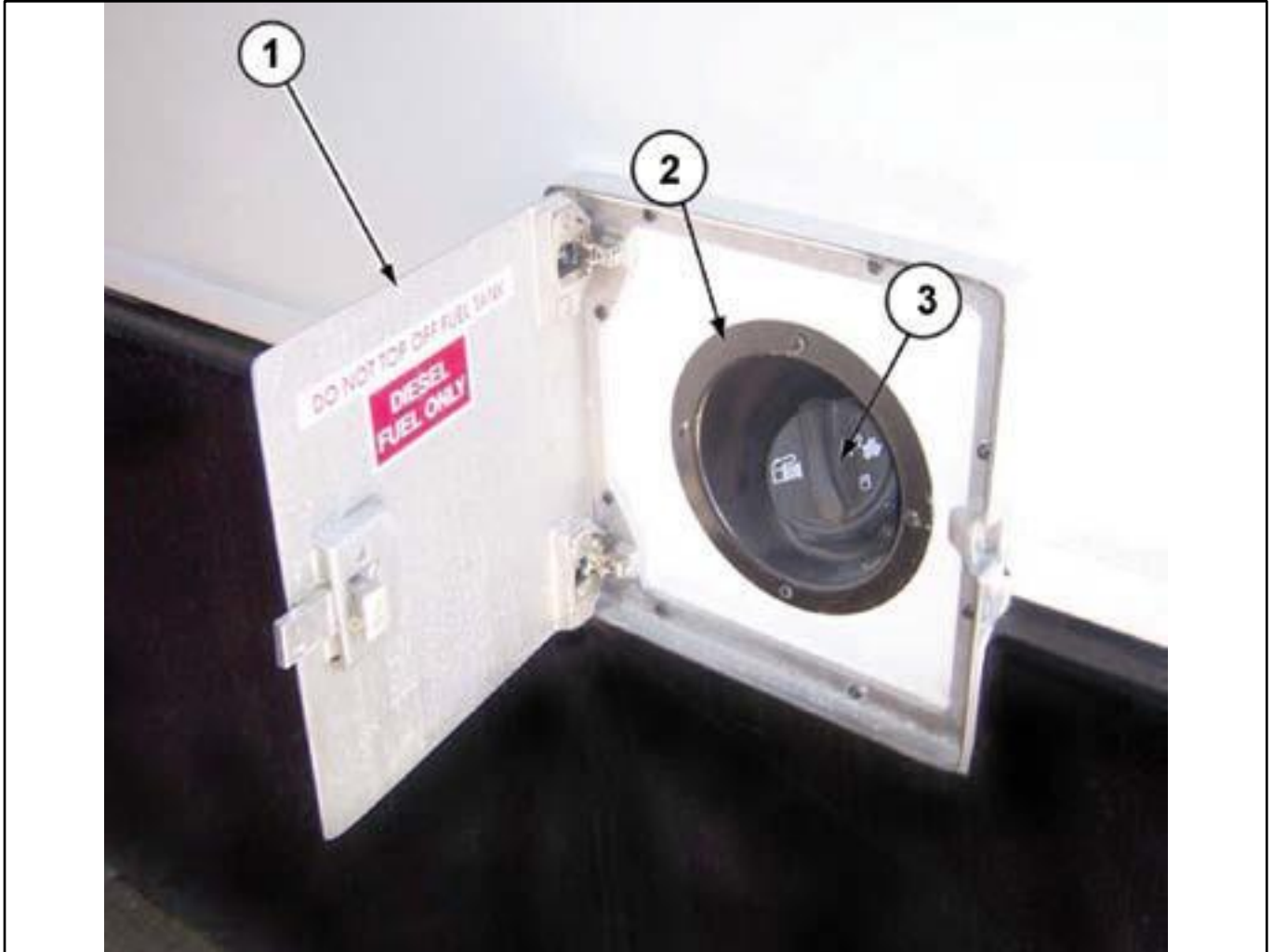
ITEM	PART NO.	DESCRIPTION	QTY	ITEM	PART NO.	DESCRIPTION	QTY
1	0171157	ADAPTER, DEF TANK TO FILL HOSE	1	7	N/A	OEM FILLER NECK	1
2	N/A	OEM RING	1	8	3372072	**BEZEL, DEF TANK FRT. M2 W/RADIUS	1
03	2971310	HOSE, 745 HBH	1	09	4970435	CLAMP, HOSE 1-13/16 - 2-3/4 W036	2
04	0171158	ADAPTER, DEF FILL HOSE TO FILL BEZEL	1	10	8571518	BOLT, 5/16-18 X 1.5" HHCS S/S	2
05	8571519	NUT, NYLOCK 5/16 S/S	2	11	4970726	O-RING, NITRILE 4.0MM X 58.0MM	2
06	8571518	BOLT, 5/16-18 X 1.5" HHCS S/S	2				

**\*\*NOTE:** Bezel may look different than picture shown.



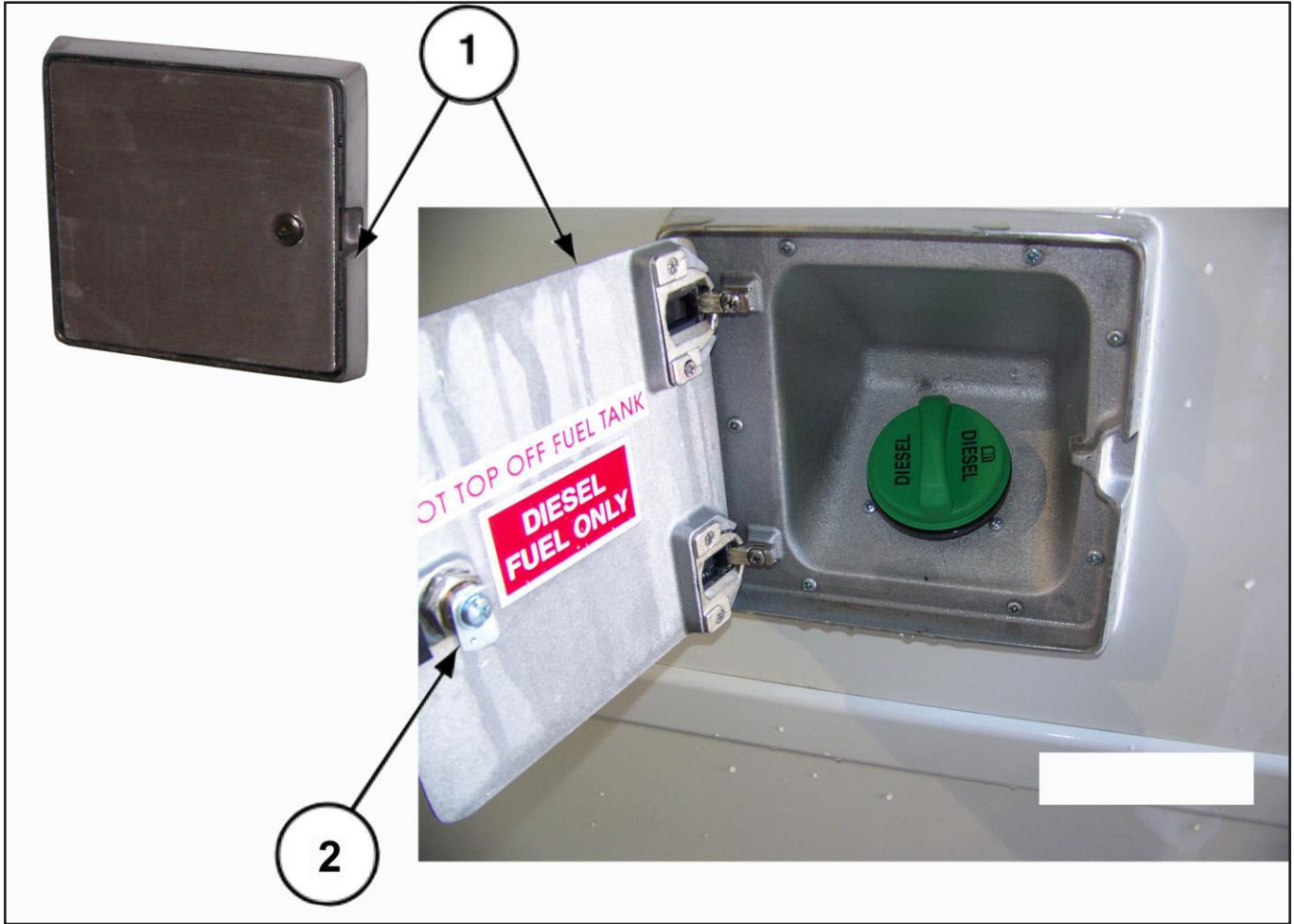
**fuel fill door s/s - international**  
**0414085 rev-a**

<i>ITEM PART NO. DESCRIPTION</i>	<i>QTY</i>	<i>ITEM PART NO. DESCRIPTION</i>	<i>QTY</i>
01 0378203 Door, Gas Fill S/S Brushed Finish	1		
NS 0378913 Tube, Gas Fill Extension 14.63	1		
NS 0170519 Bezel, Gas Fill (OEM)	1		



**fuel fill door s/s - international  
0418703**

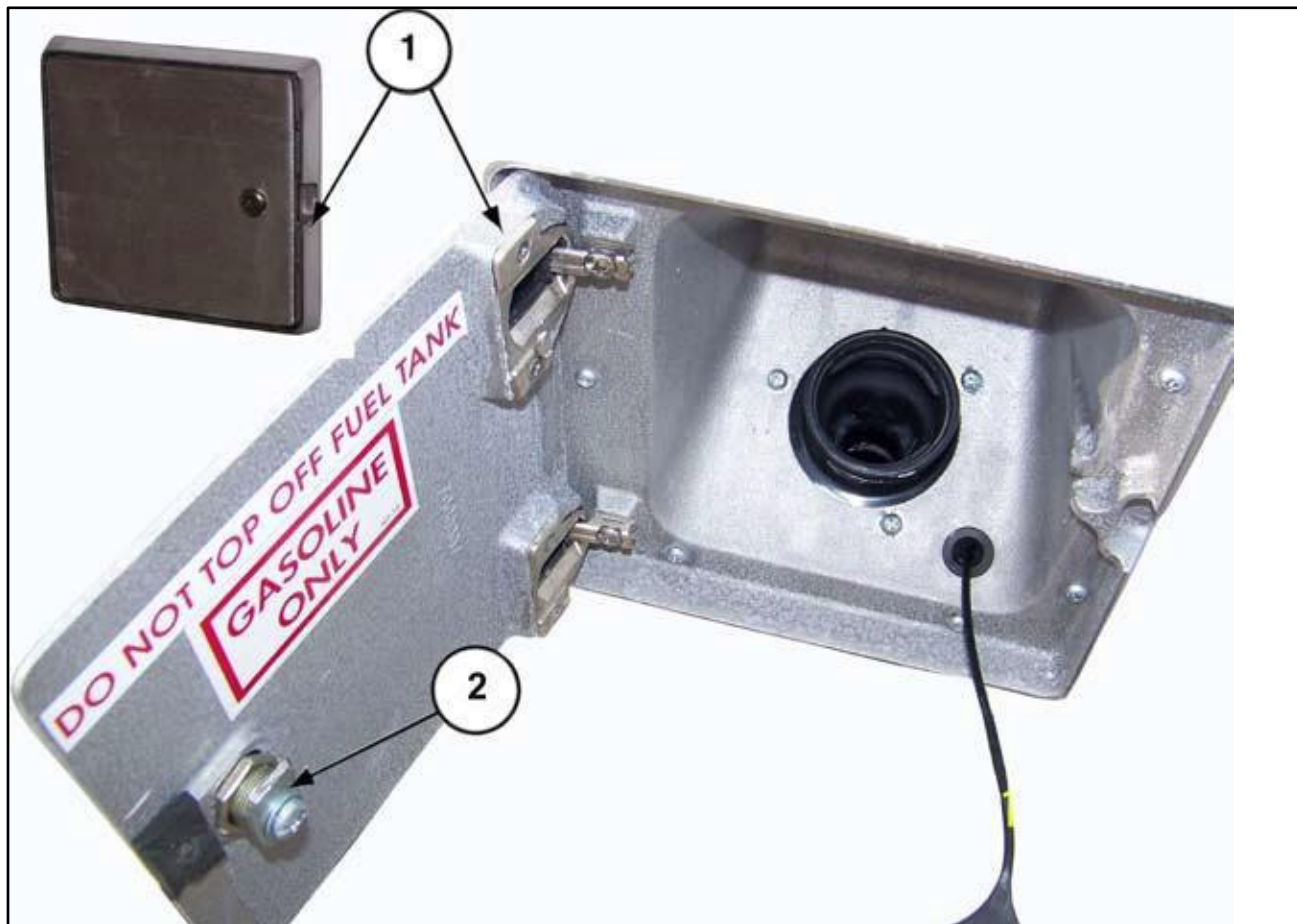
<i>ITEM PART NO. DESCRIPTION</i>	<i>QTY</i>	<i>ITEM PART NO. DESCRIPTION</i>	<i>QTY</i>
01 0378203 Door, Gas Fill S/S Brushed Finish	1		
NS 3371966 Jamb, Fuel Fill ABS INT'L Def Gen2	1		
NS 0379111 Cover, Fuel Fill INT'L 3200 Rear	1		



## LOCKING Fuel FILL DOOR - s/s 0403274

<i>ITEM PART NO. DESCRIPTION</i>	<i>QTY</i>	<i>ITEM PART NO. DESCRIPTION</i>	<i>QTY</i>
1 0378568 Bezel, Fuel Fill W/SS Door LH Lock	1		
2 5340393 Lock, Keyed Assembly	1		
NS 3370277 Cover, Gas Fill With Angle	1		





## LOCKING Fuel FILL DOOR - \*\$6 0403274

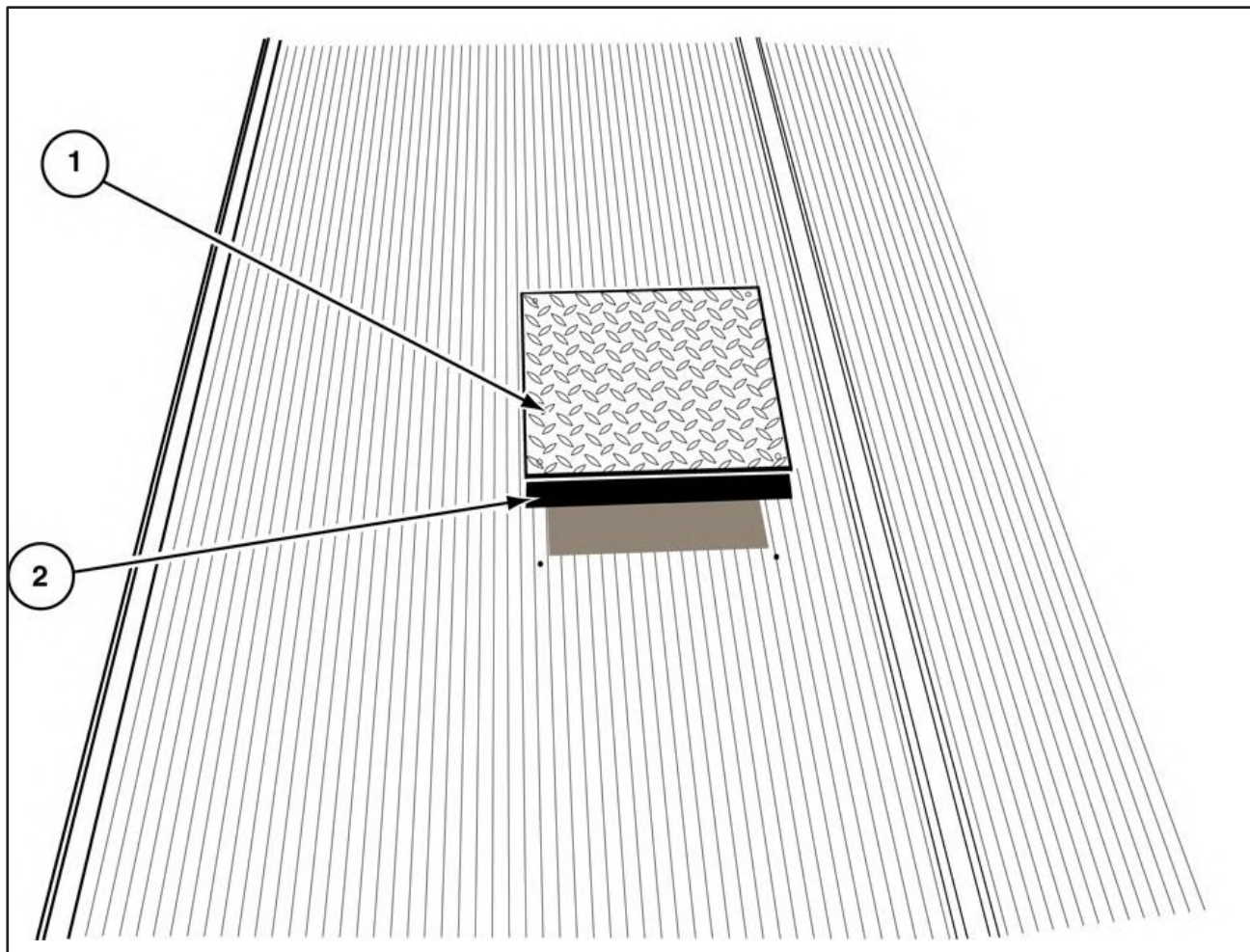
<i>ITEM PART NO. DESCRIPTION</i>	<i>QTY</i>	<i>ITEM PART NO. DESCRIPTION</i>	<i>QTY</i>
1 0378568 Bezel, Fuel Fill W/SS Door LH Lock	1		
2 5340393 Lock, Keyed Assembly	1		
NS 0400131 Backer, Gas Fill Ford Assy	1		
NS 3370277 Cover, Gas Fill With Angle	1		

**PICTURE NOT AVAILABLE AT THIS TIME**

**FUEL DOOR ACCESS - LARGE (13.20" x 15")**

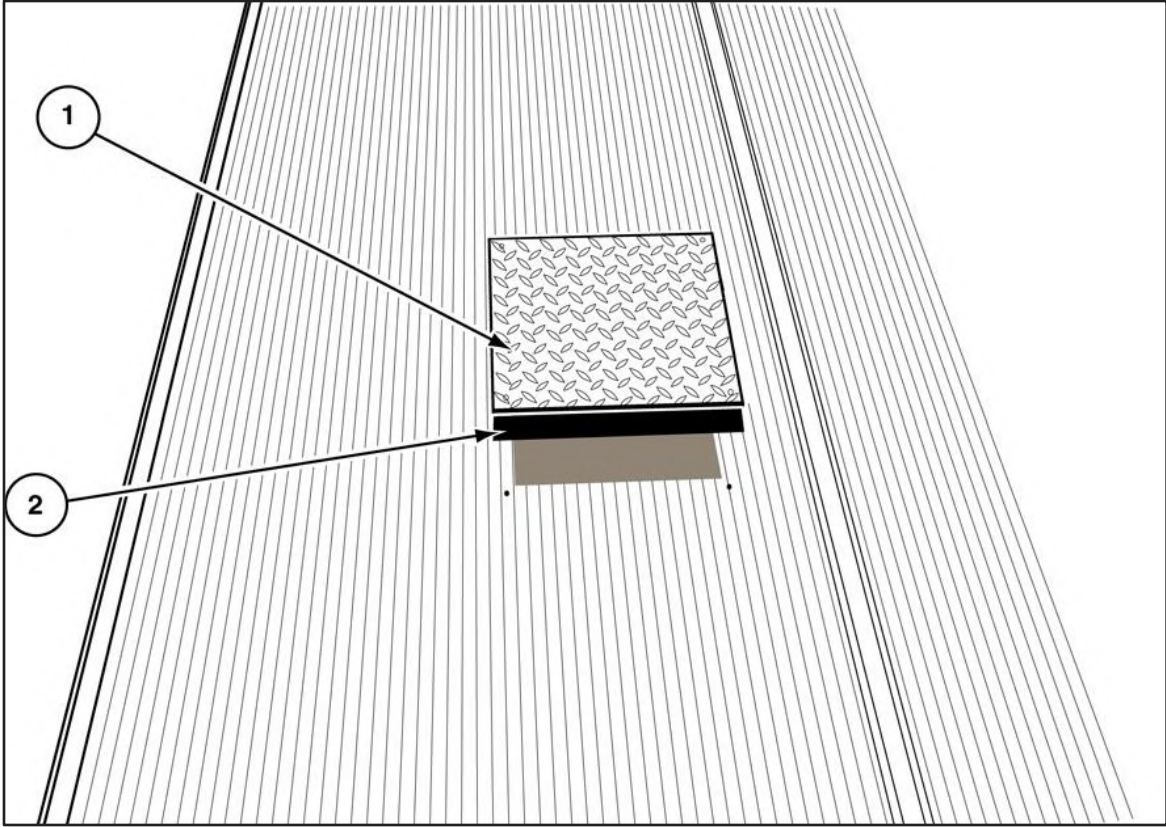
**0380015**

<u>ITEM</u>	<u>PART NO.</u>	<u>DESCRIPTION</u>	<u>QTY</u>	<u>ITEM</u>	<u>PART NO.</u>	<u>DESCRIPTION</u>	<u>QTY</u>
01	0380015	Door, Fuel Access Large (13.20" x 15")	1				



**fuel sending unit access panel**  
**cX0000013012**

<i>ITEM PART NO. DESCRIPTION</i>	<i>QTY</i>	<i>ITEM PART NO. DESCRIPTION</i>	<i>QTY</i>
01 0372078 Plate, Diamond Alum. 13 x 12 x 1'	1		
02 0370718 Tube, 14GA 1 x 1 x 24'	.3		



## FUEL SENDING UNIT ACCESS COVER S/S 0416959

<i>ITEM PART NO. DESCRIPTION</i>	<i>QTY</i>	<i>ITEM PART NO. DESCRIPTION</i>	<i>QTY</i>
01 0378792 Cover, Fuel Sending Unit Access S/S	1		
NA 8970910 Tape, Non-Skid 12" x 60' Ocean Gray	AR		

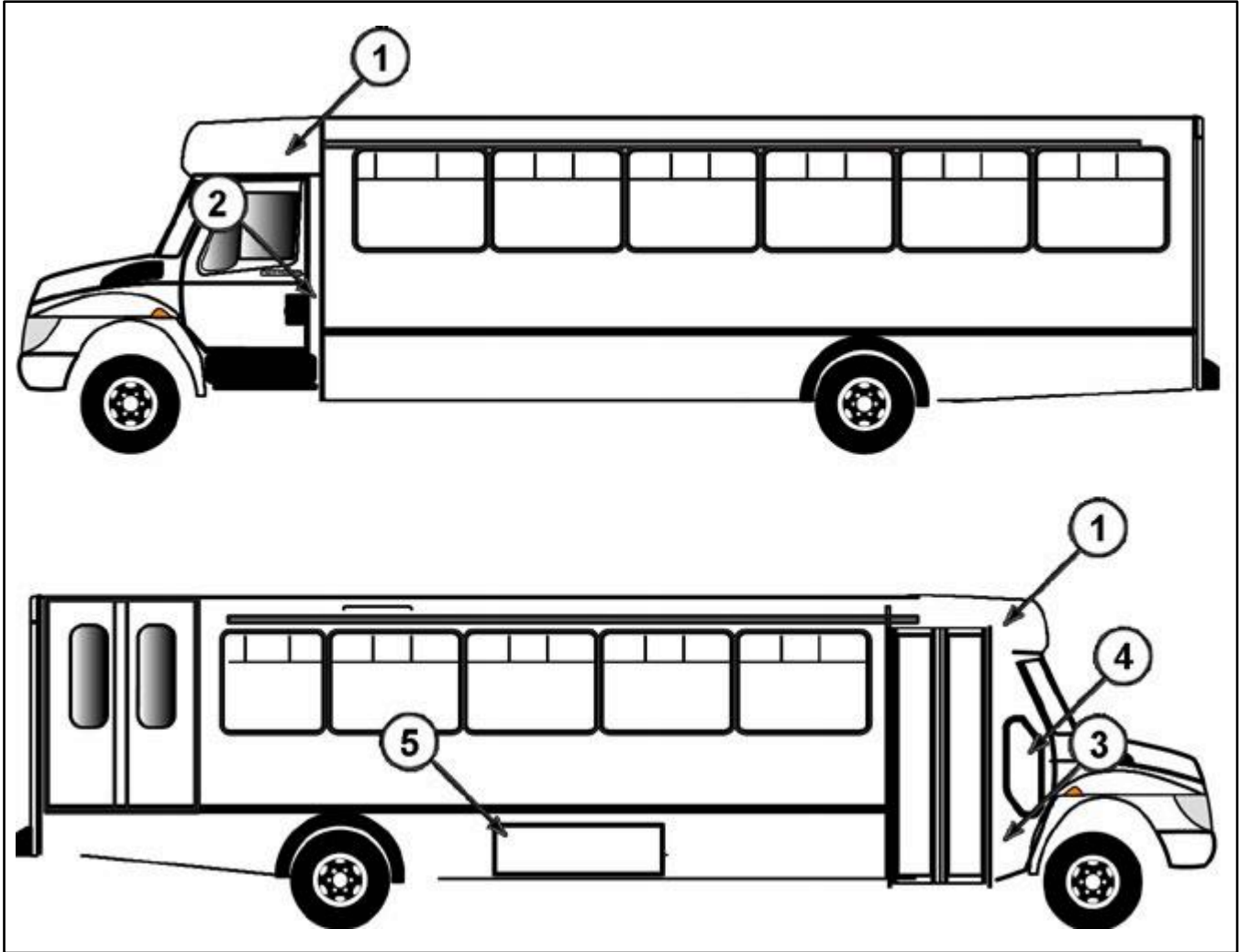


**CHAMPION**  
**BUS, INC.**  
Thor Industries Commercial Bus Division

# **SECTION 2:**

# **EXTERIOR**

# **TRIM**



## exterior front cap & wings - M2

### M2-380-000

<i>ITEM PART NO. DESCRIPTION</i>	<i>QTY</i>	<i>ITEM PART NO. DESCRIPTION</i>	<i>QTY</i>
<b>0416907 Install, Cap Front Fiberglass M2</b>			
1 3371868 Cap, Fiberglass Front Center M2	1	3972032 Tube, Shrink 3/16 Dual Wall Adhesive 2.5	
0373908 Brace, Cab to Body	2	8971058 Tape, Butyl Black 1/4" x 1/2" x 25 AR	
2 3371870 Cap, Fiberglass R/S Wing M2	1	4570101 Track, RVL Aluminum Trim 1 (12') T6	2
3 3371869 Cap, Fiberglass Front C/S Wing M2	1	3342037F Cover, RVL .13 Leg Frost White 200' 22	
0375594 Brace, Front Wing Defender	1	4 5971075 Window, Front C/S Wing M2	1
0374644 Steel, Flat 11GA x 4 x 10'	AR		

PICTURE NOT AVAILABLE AT THIS TIME

**eNTRANCe dOOR WINGS S/S m2**  
**0416968-m2**

<u>ITEM</u>	<u>PART NO.</u>	<u>DESCRIPTION</u>	<u>QTY</u>	<u>ITEM</u>	<u>PART NO.</u>	<u>DESCRIPTION</u>	<u>QTY</u>
NS	0378983	WING, ENTR DOOR FRONT S/S 1½" DF/M2	1				
NS	0378791	WING, ENTRANCE DOOR REAR S/S	1				



**A/C FIBERGLASS LOUVER**  
**0414750**

<i>ITEM PART NO. DESCRIPTION</i>	<i>QTY</i>	<i>ITEM PART NO. DESCRIPTION</i>	<i>QTY</i>
1 3371696 LOUVER, FIBERGLASS (3 FAN)	1		
2 3371697 LOUVER, FIBERGLASS (2 FAN)	1		

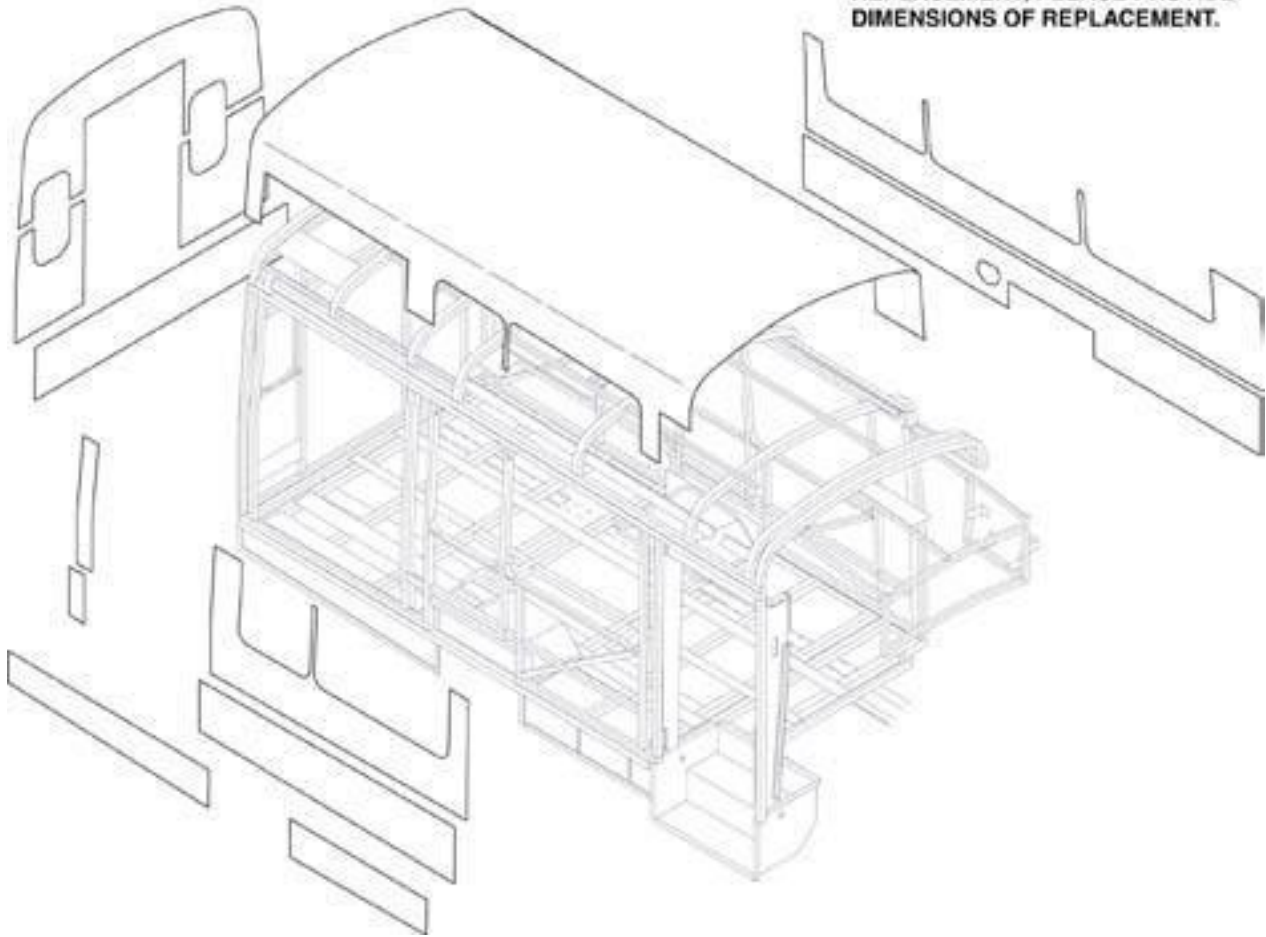




**Fiberglass step Cover M2**  
**0420571**

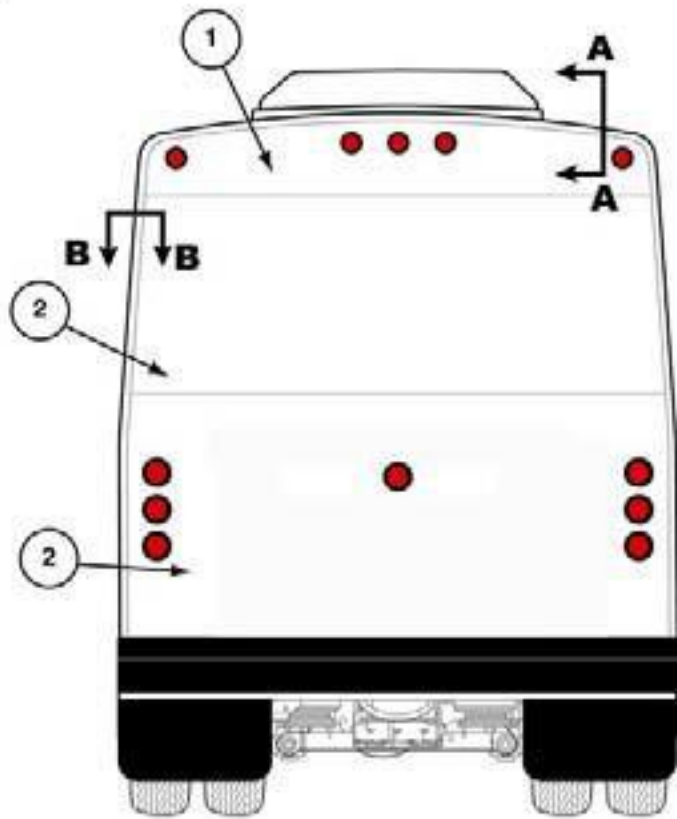
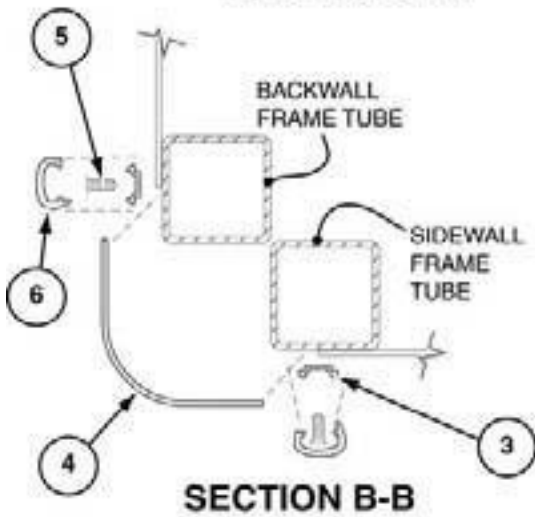
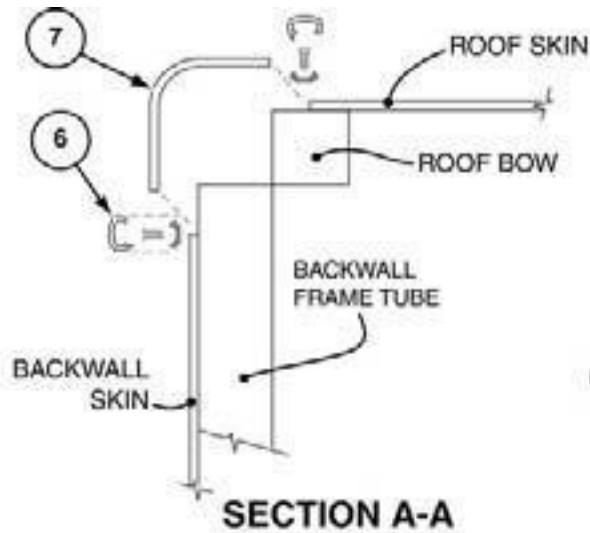
<i>ITEM</i>	<i>PART NO.</i>	<i>DESCRIPTION</i>	<i>QTY</i>	<i>ITEM</i>	<i>PART NO.</i>	<i>DESCRIPTION</i>	<i>QTY</i>
01	3371872	Cover, Step Fiberglass R/S M2	1				

WHEN ORDERING SHEET METAL  
REPLACEMENT, PLEASE PROVIDE  
DIMENSIONS OF REPLACEMENT.



## galvanized metal exterior 0056 / 0057 (rev-a)

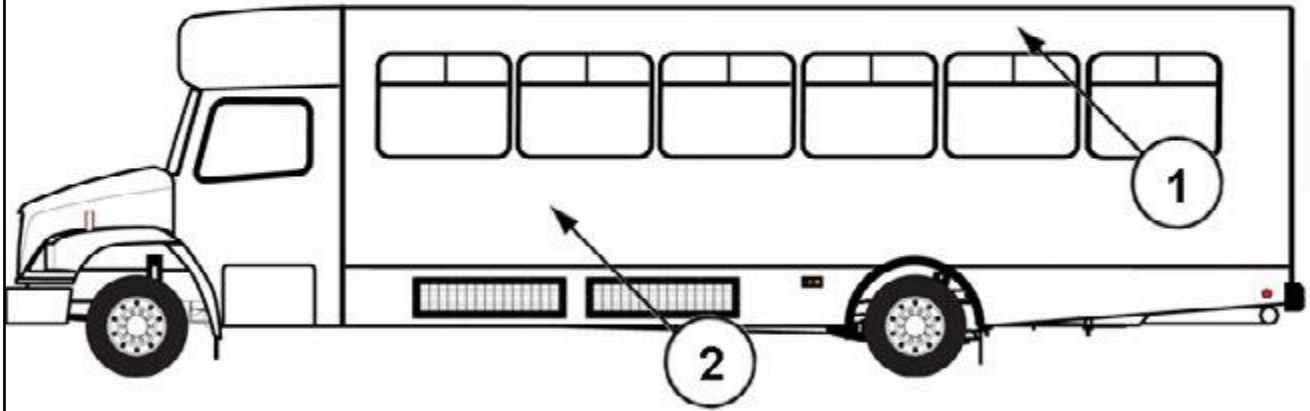
ITEM	PART NO.	DESCRIPTION	QTY	ITEM	PART NO.	DESCRIPTION	QTY
00	4342879	Steel Coil .021 x 36.0 Painted	A/R	<b>REFERS TO ALL ASSEMBLIES LISTED BELOW:</b>			
	4370095	Steel Coil .021 x 48.0 Painted	A/R	CH-210-999-0056	DF-250-999-0057		
	0970014	Lauan, Raw 3.6MM x 48 x 96	A/R	CH-230-999-0056	DF-270-999-0057		
	7970057	Adhesive, C773-40 Contact 55 Gal.	A/R	CH-250-999-0056	DF-290-999-0057		
	7970058	Adhesive, C773-40 Contact 55 Gal.	A/R	CH-270-999-0056	DF-310-999-0057 (REV-B)		
				CH-280-999-0056	BG-340-999-0057 (REV-A)		
				CH-290-999-0056			
				CR-000-999-0056			
				CT-300-999-0056			
				CT-330-900-0056			
				CT-300-998-0056			



## install flatback rear end 0409794 (reV-a)

ITEM	PART NO.	DESCRIPTION	QTY	ITEM	PART NO.	DESCRIPTION	QTY
1	4342879	STEEL COIL (.021 x 36" PAINTED)	A/R	07	3371163	CAP, EXTERIOR REAR (94")	1
2	4370095	STEEL COIL (.021 x 48" PAINTED)	A/R	N/S	4542288	END CAP	1
3	4570101	TRACK, REVEAL ALUMINUM TRIM 2 (12') T6	A/R	N/S	4570144	END CAP, "J" (.19 x 1/4 x 16' GRAY)	A/R
	4540266	TRACK, REVEAL ALUMINUM TRIM 2 (12') T4	A/R	N/S	0970014	LAUAN, RAW 3.6mm x 48 x 96	A/R
4	3371203	TRIM, EXTERIOR CORNER C/S	1	N/S	8570753	SCREW (10 x 1 PAN PHIL S/S BLACK)	2
	3371204	TRIM, EXTERIOR CORNER R/S	1	N/S	7970043	SEALANT, BOSTICK 2100	A/R
5	8570931	SCREW (8 x 1 PAN QUAD TEK CLEAR)	120	N/S	0408711	INTSALL, CORNER TRIM EXT 4 DEG SOUTH	A/R
6	3342037F	COVER, REVEAL (LEG FROST WHITE) 200'	A/R	N/S	7970043	SEALANT, BOSTIK 2100	1

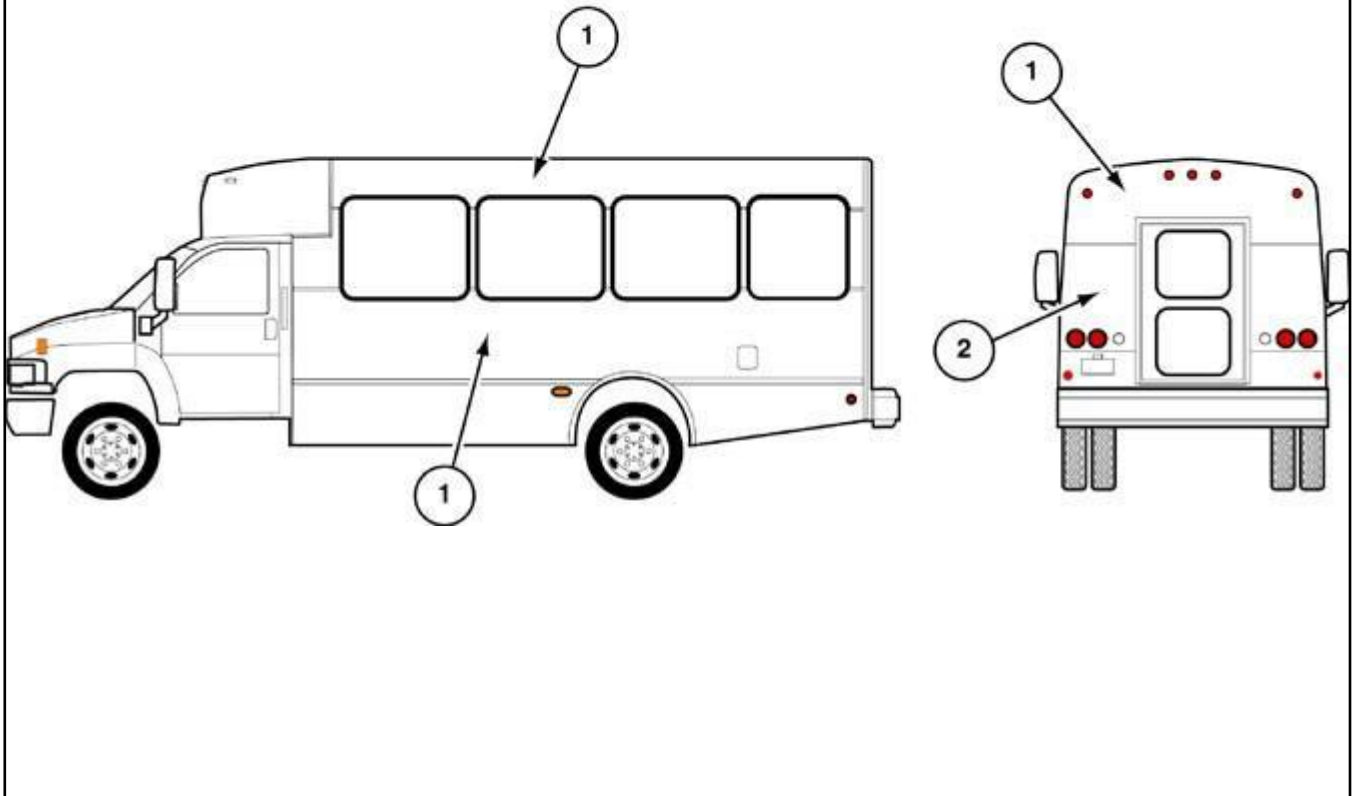
**BEFORE PLACING ORDER FOR  
EXTERIOR GELCOAT PANELS YOU  
MUST HAVE DIMENSION REQUIRED  
FOR REPAIR**



**ExtErior GEIcoat PanEIs**  
**0414608 (rEV-a) / 0415268 (rEV-a)**

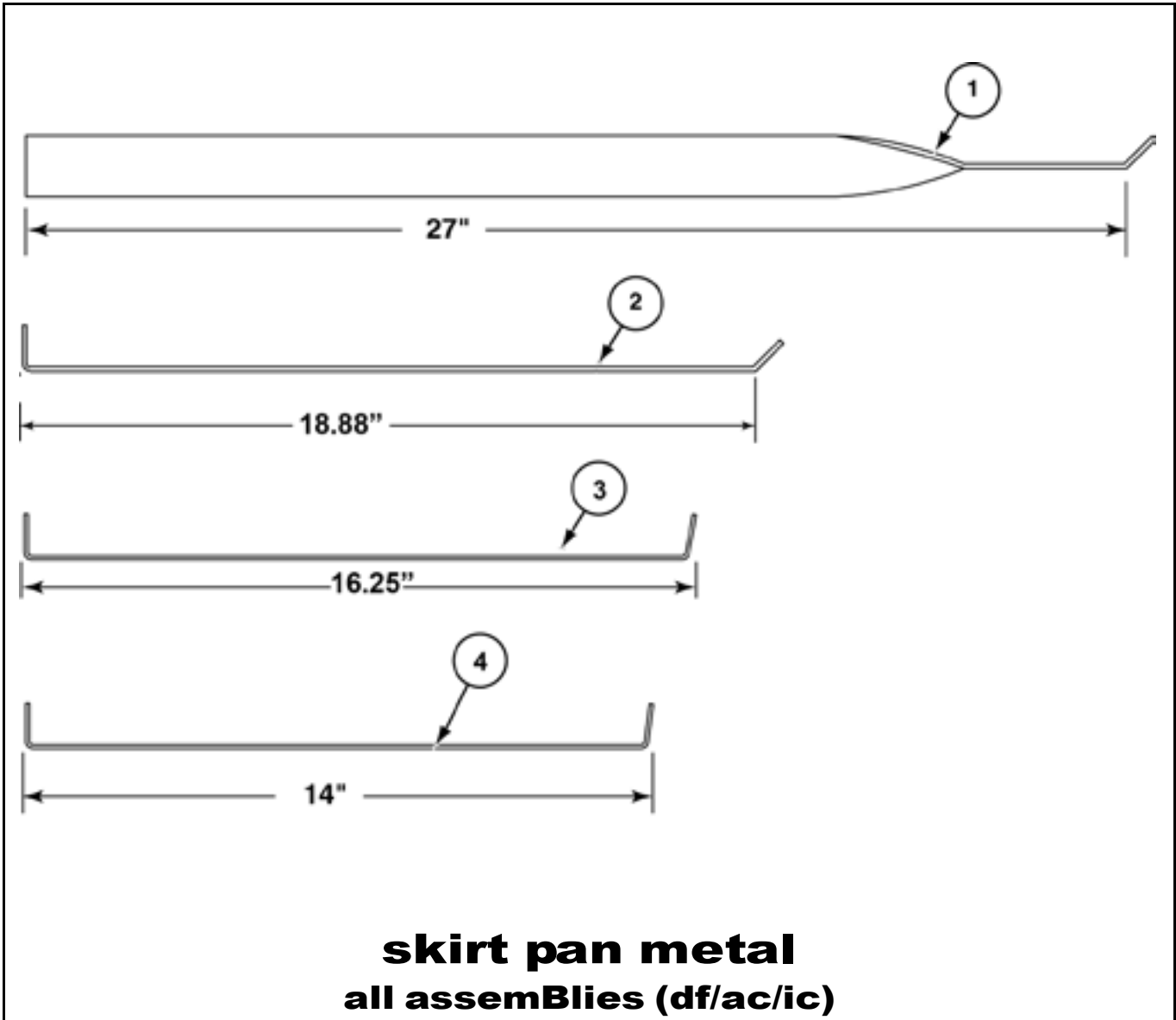
<i>ITEM</i>	<i>PART NO.</i>	<i>DESCRIPTION</i>	<i>QTY</i>	<i>ITEM</i>	<i>PART NO.</i>	<i>DESCRIPTION</i>	<i>QTY</i>
01	3371971	Panel, Noble 4MM x 348" x 48"	AR				
NS	3371988	Trim, "H" .188 Thick Panel	AR				
NS	0970014	Lauan, Raw 3.6mm x 48 x 96	AR				

BEFORE PLACING ORDER FOR  
EXTERIOR GELCOAT PANELS  
YOU MUST HAVE DIMENSION  
REQUIRED FOR REPAIR.

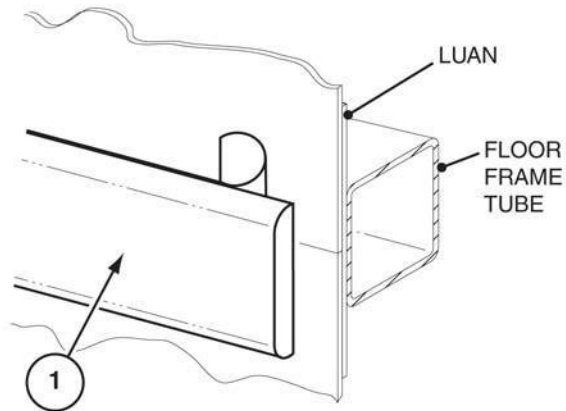
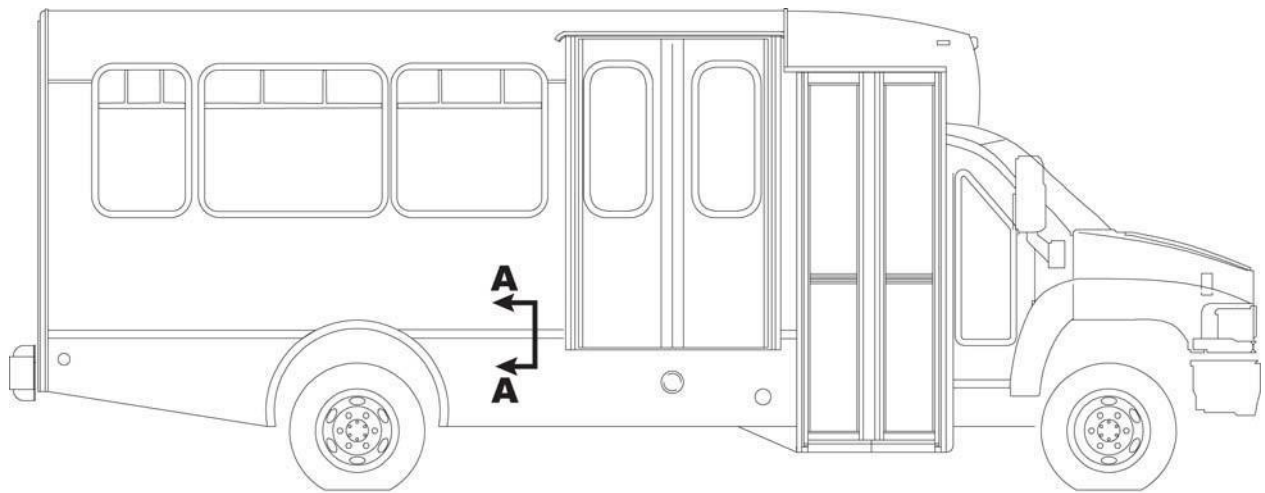


## ExtErior GEIcoat panEls ch2700055247 / 0415268 (rEV-a)

<i>ITEM</i>	<i>PART NO.</i>	<i>DESCRIPTION</i>	<i>QTY</i>	<i>ITEM</i>	<i>PART NO.</i>	<i>DESCRIPTION</i>	<i>QTY</i>
1	3371971	Panel,Noble Select 4MM x 348" x 48" AR					
2	3371971	Panel, Noble Select 4MM x 348" x 48"AR					
NS	0360446	Angle, 16GA x 1.0 x 1.5 x 96 Galv.	AR				



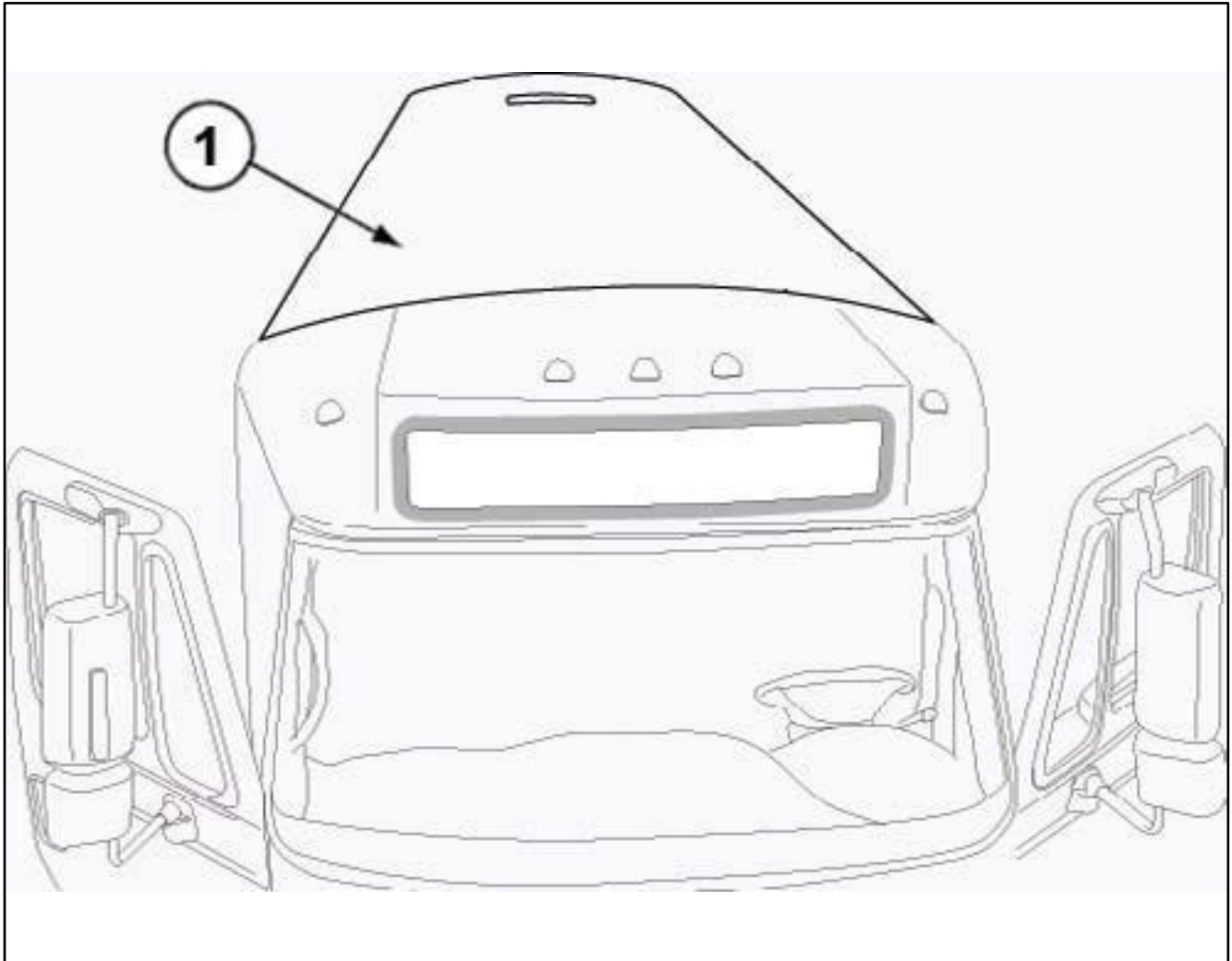
ITEM	PART NO.	DESCRIPTION	QTY	ITEM	PART NO.	DESCRIPTION	QTY
01	0374477	SUPPORT, SIDE PAN 27" FLAT FLOOR	12				
02	0377039	HANGER, SIDE PAN (18.88")	30				
03	0376653	HANGER, SIDE PAN (16.25")	2				
04	0376281	HANGER, SIDE PAN (14", 4 DEGREE)	2				
NS	0360446	ANGLE, 16GA 1.5 x 96.0 GALV.	9				
NS	4370095	STEEL, COIL .021 x 48.0 PAINTED	125				



SECTION A-A

**STICK ON RUB RAIL**  
**0414006 (REV-A)**

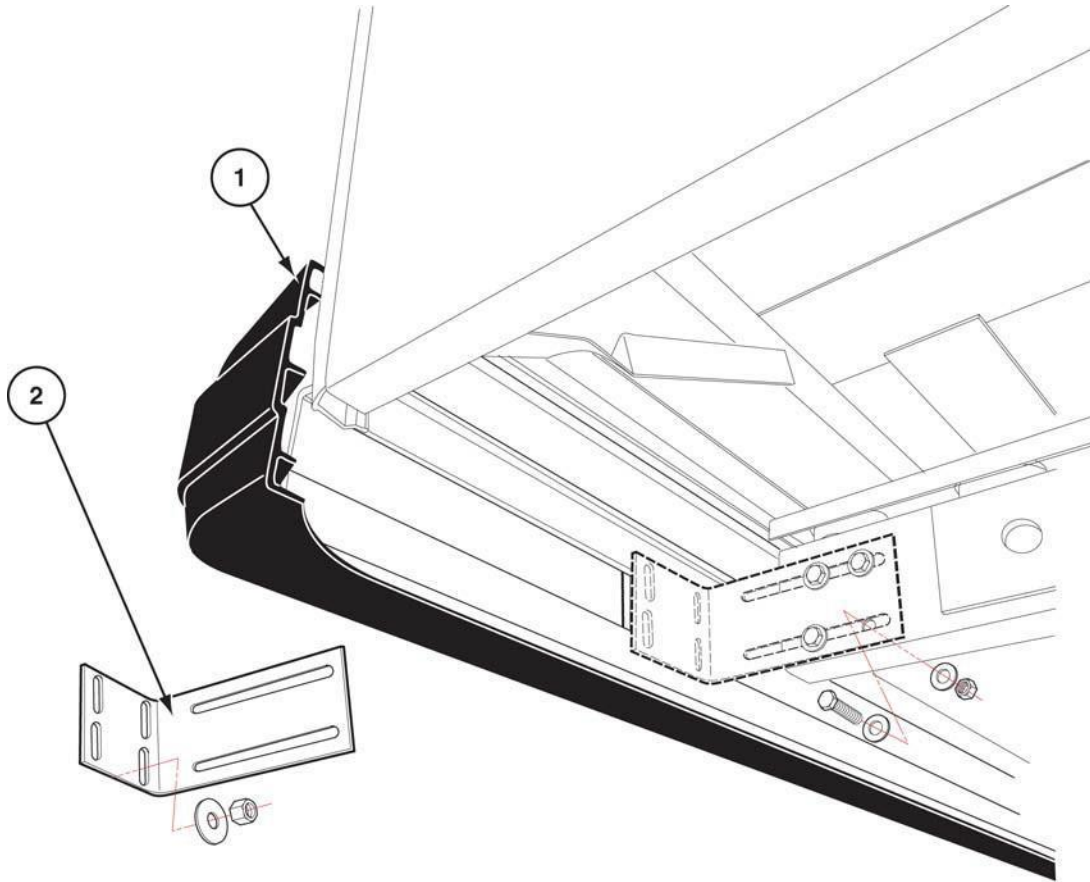
<i>ITEM</i>	<i>PART NO.</i>	<i>DESCRIPTION</i>	<i>QTY</i>	<i>ITEM</i>	<i>PART NO.</i>	<i>DESCRIPTION</i>	<i>QTY</i>
01	4570155	RAIL, RUB BLACK STICK-ON (1.75" X 42')	A/R				
NS	8971283	TAPE, BUTYL 1 x 25MM (150' ROLL) D18	A/R				



**roof, tekmoto (1 piece rooftop)  
0420545 / 0420544**

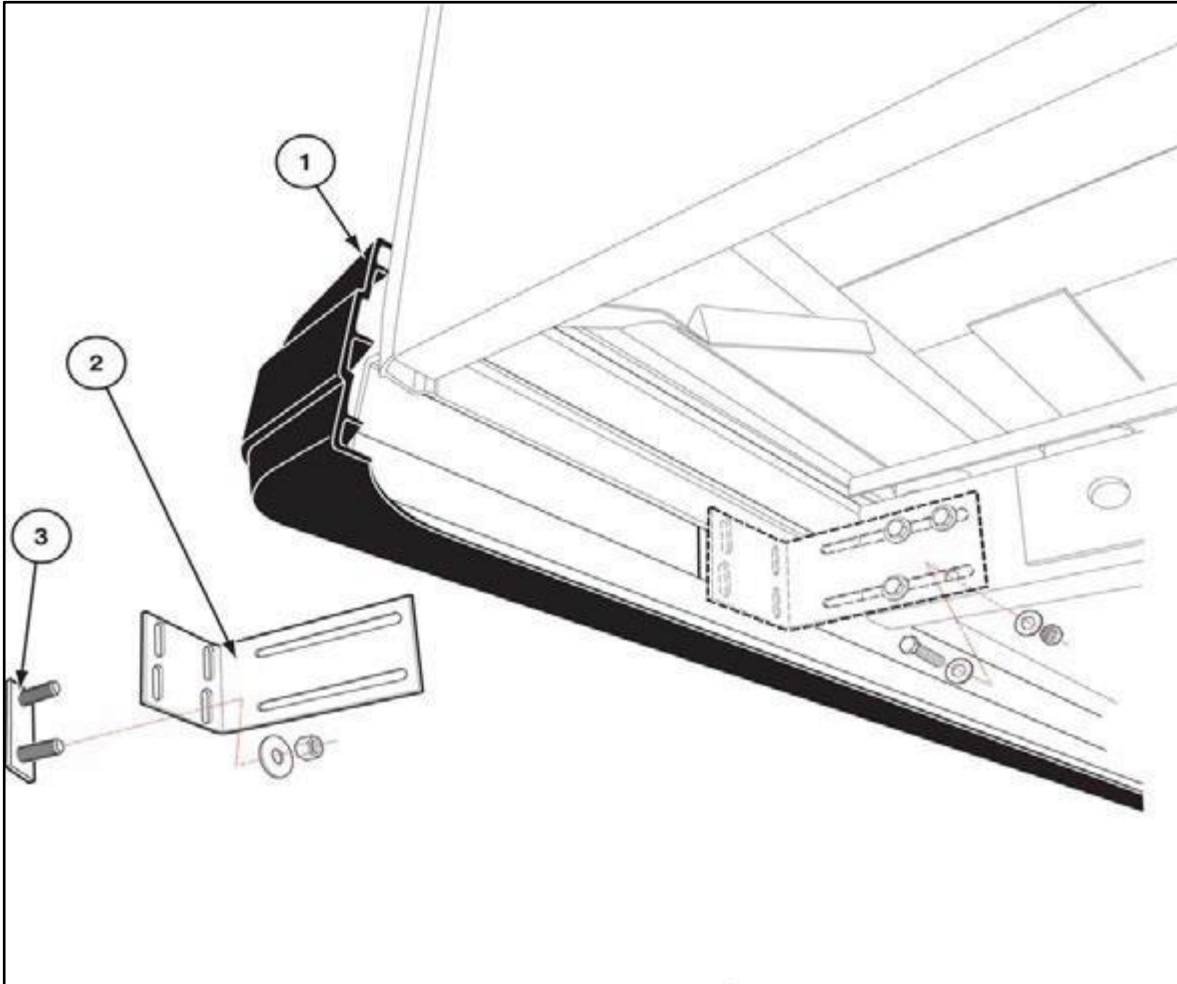
<i>ITEM PART NO. DESCRIPTION</i>	<i>QTY</i>	<i>ITEM PART NO. DESCRIPTION</i>	<i>QTY</i>
NS 3371953 Sheating, Composite .060 x 108" W	AR	<b>ALSO APPLIES TO THE FOLLOWING ASSEMBLIES:</b>	
NS 8971257 Tape, 3M 4412N 3" x 15Yds Extreme	AR	0418314	
NS 0970161 Panel, AZDEL 36" x 96" RVX WA/BB	AR	0418373	
NS 4342879 Steel, Coil .021 x 36.0 Painted	AR	0420039	
NS 7970091 Adhesive, Spray Multi Purpose	AR	0420543	
		0420544	
		0420545	
		0420050	
		0420546	





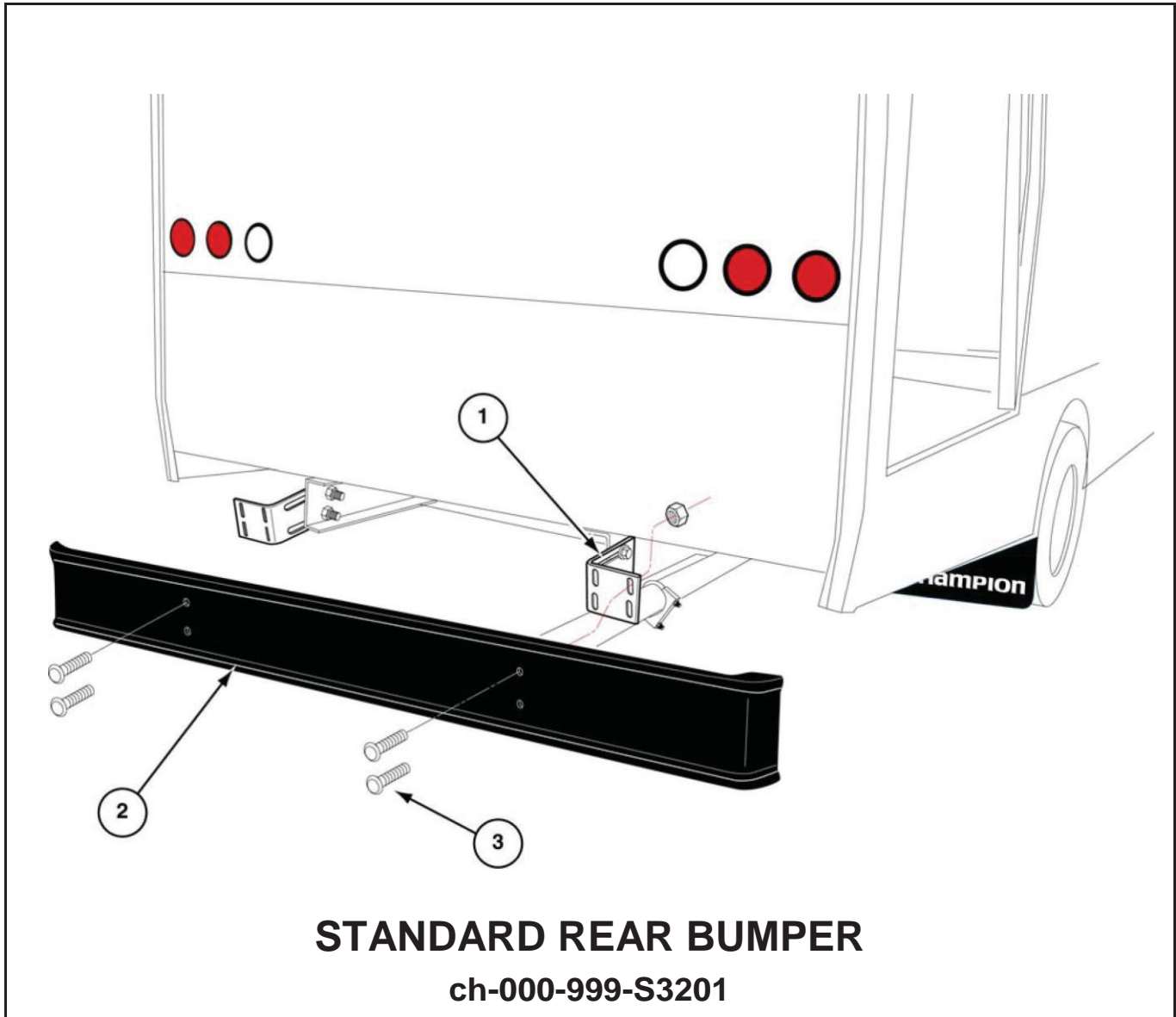
## REAR BUMPER 0411062

<i>ITEM PART NO. DESCRIPTION</i>	<i>QTY</i>	<i>ITEM PART NO. DESCRIPTION</i>	<i>QTY</i>
1 0170942 BUMPER, REAR (TRANSPEC - 97")	1		
2 0375348 BRACKET, BUMPER MOUNTING	2		



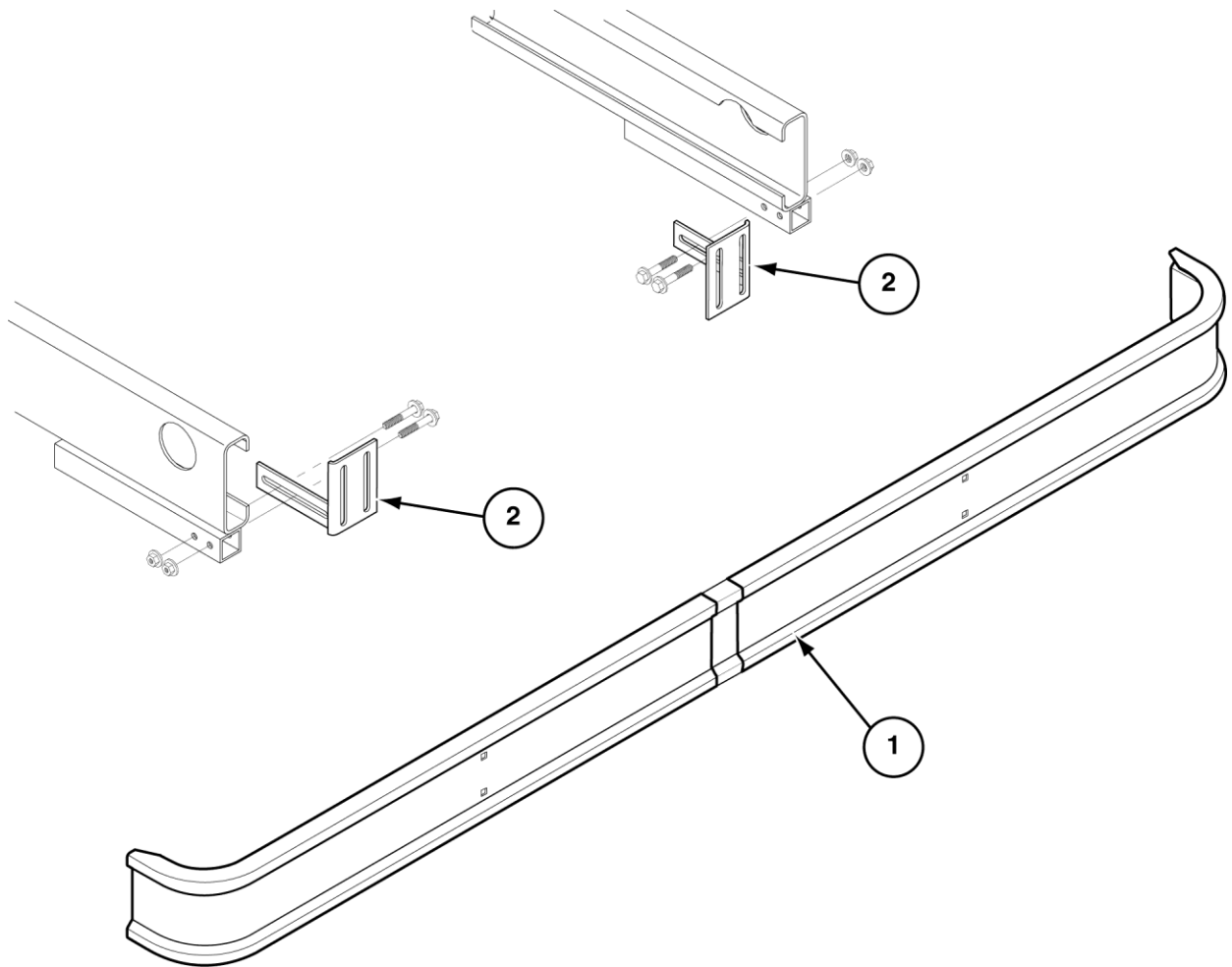
## romeo rim rear bumper CH000050002, 0403558

<i>ITEM PART NO. DESCRIPTION</i>	<i>QTY</i>	<i>ITEM PART NO. DESCRIPTION</i>	<i>QTY</i>
1 0170992 Bumper, Rear Romeo Full Wing	1		
2 0375348 Bracket, Bumper Ford/Chevy	2		
3 0356121 Bracket, Mounting Bolt 1½ x 4½	4		
NS 8570541 Bolt, Hex ½ - 13 x 3¼ GR5 HHCS	8		
NS 8541468 Nut, Hex ½" USS Nyloc GR8	8		
NS 8570876 Washer, Flat 1/2 USS GR8	8		



**STANDARD REAR BUMPER**  
**ch-000-999-S3201**

<i>ITEM</i>	<i>PART NO.</i>	<i>DESCRIPTION</i>	<i>QTY</i>	<i>ITEM</i>	<i>PART NO.</i>	<i>DESCRIPTION</i>	<i>QTY</i>
1	0374478	BRACKET, MOUNTING REAR BUMPER	2				
2	0375852	BUMPER, REAR 9 x 95.0 10GA BLACK	1				
03	8540403	BOLT, BUMPER 1/2 x 1-1/2" S/S	4				
N/S	0375652	BRACKET, REAR BUMPER ADAPTER ADJUSTABLE	2				



## INSTALL REAR BUMPER 0412423

ITEM PART NO. DESCRIPTION	QTY	ITEM PART NO. DESCRIPTION	QTY
01 0377929 BUMPER (9" x 102" x 10GA) BLACK,	1		
02 0376442 BRACKET, BUMPER MOUNTING	2		
NS 0375038 STEEL, BAR 1/4 x 4 x 20' A36 HR	.1		
NS 0375652 BRACKET, REAR BUMPER ADAPTER ADJUST.			
2			
NS 0374105 TUBE, .19 x 2 x 2 x 93.5	1		
NS 8971280 TREAD, STEP SKID RESISTANT BLACK	1		



## rear bumper steel powder coat 0407201

<i>ITEM PART NO. DESCRIPTION</i>	<i>QTY</i>	<i>ITEM PART NO. DESCRIPTION</i>	<i>QTY</i>
01 0378574 Bumper, W/End Caps 87"	1		
NS 0376254 Bracket, Bumper Mount	2		
NS 0375652 Bracket, rear Bumper Adapter Adj	2		
NS 8540403 Bolt, Bumper 1/2 x 1½" S/S	4		
NS 3371753 Bumper, Rear Corner AM	2		



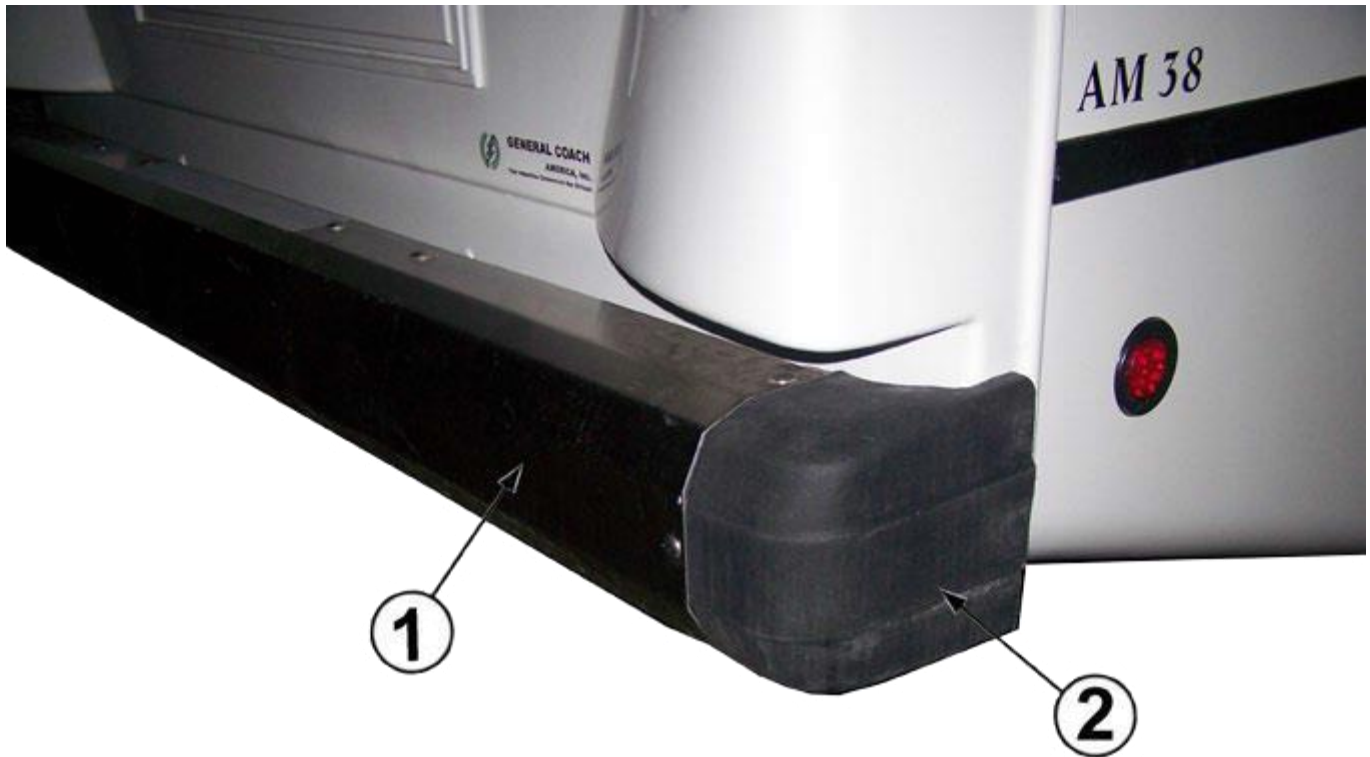
## rear bumper steel powder coat 0407201m / 0406166

<i>ITEM PART NO. DESCRIPTION</i>	<i>QTY</i>	<i>ITEM PART NO. DESCRIPTION</i>	<i>QTY</i>
<b>0407201M Bumper, Rear Steel Powder Coat M2</b>			
01 0375852 Bumper, Rear 9 x 95.0 10GA Blk CQ	1		
NS 0378970 Bracket, Bumper W/End Cap M2	2		
NS 8540403 Bolt, Bumper 1/2 x 1½" S/S	4		
NS 3371753 Bumper, Rear Corner AM	2		
<b>0406166 Install, Anti-Ride Rear Bumper</b>			
NS 4370095 Steel, Coil .021 x 48.0 Painted	10		
NS 8570819 Rivet, Pop 1/8 x .375-.624 GRP S/S	10		



**REAR Bumper, pAiNTed w/STep**  
**Ch-000-900-3088**

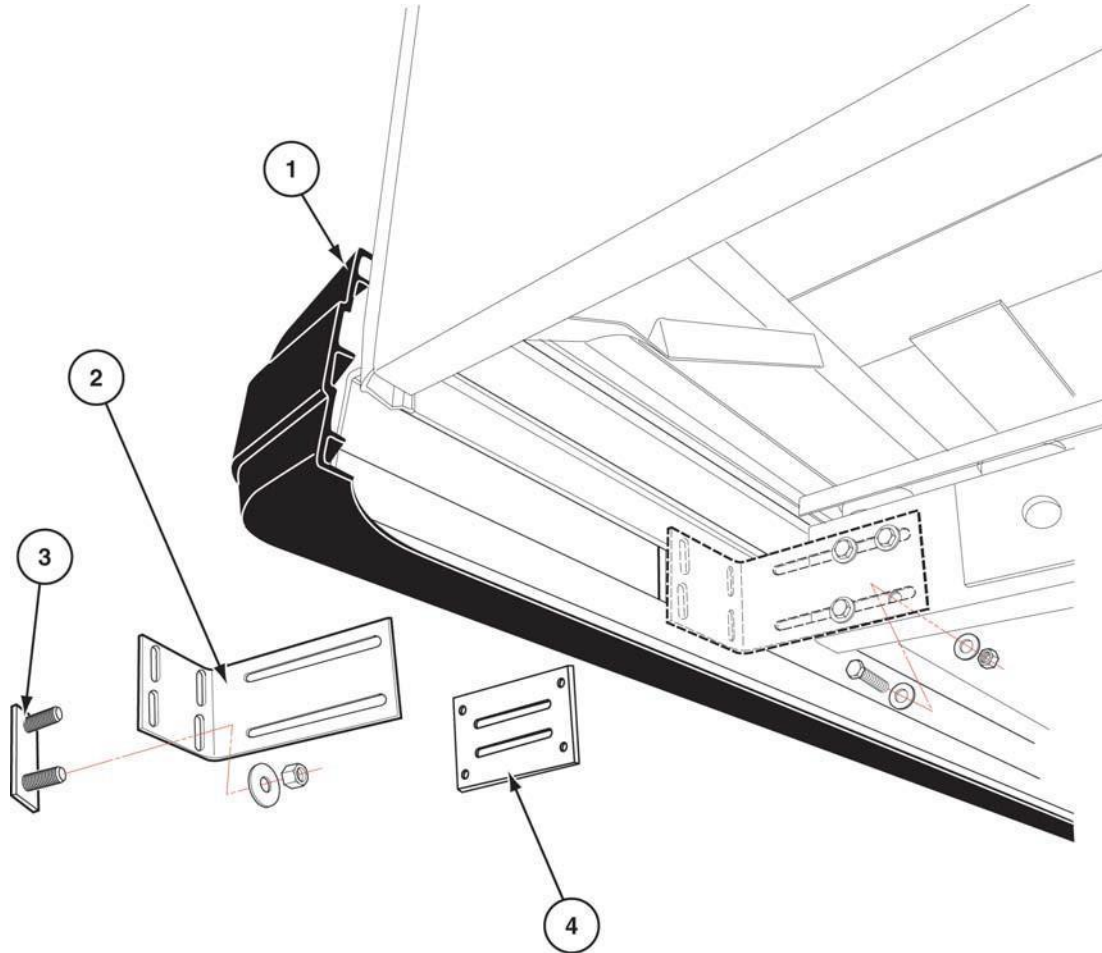
<i>ITEM PART NO. DESCRIPTION</i>	<i>QTY</i>	<i>ITEM PART NO. DESCRIPTION</i>	<i>QTY</i>
1 0370981 Bumper, Step Rear Steel	1		
2 3371305 Cap, End Bumper Poly (Roto Molded)	2		
N/S 8970910 Tape, Non-Skin 12" x 60' Ocean GryA/R			
N/S 0374958 Bracket, Rear Steel Stem Bmpr	2		



## rear Bumper S/S With end caps ch-000-900-3087 - 0403297, 0403296

<i>ITEM PART NO. DESCRIPTION</i>	<i>QTY</i>	<i>ITEM PART NO. DESCRIPTION</i>	<i>QTY</i>
<b>0403297 Install, Rear Bumper S/S w/End Caps</b>		<b>02 0403296 Install, Rear Bumper End Caps</b>	
01 0370783 Bumper, S/S with End Caps	1	3371305 Cap, End Bumper Poly (Roto-Molded)	2
NS 0370791 Bracket, Bumper with End Caps	2	8570111 Bolt, Carriage 5/16-18 x 3/4 S/S	3
NS 8570951 Bolt, Hex 1/2-13 x 2 GR8 Plated	8	8540460 Nut, Hex 5/16-18 GR5 USS	3
NS 8541468 Nut, Hex 1/2" USS Nyloc GR8	8	8540445 Washer, Flat 5/16 USS Plated	3
NS 8570876 Washer, Flat 1/2 USS GR8	16	8570874 Washer, Lock 5/16	3
NS 4342879 Steel, Coil .021 x 36.0 Painted	2		

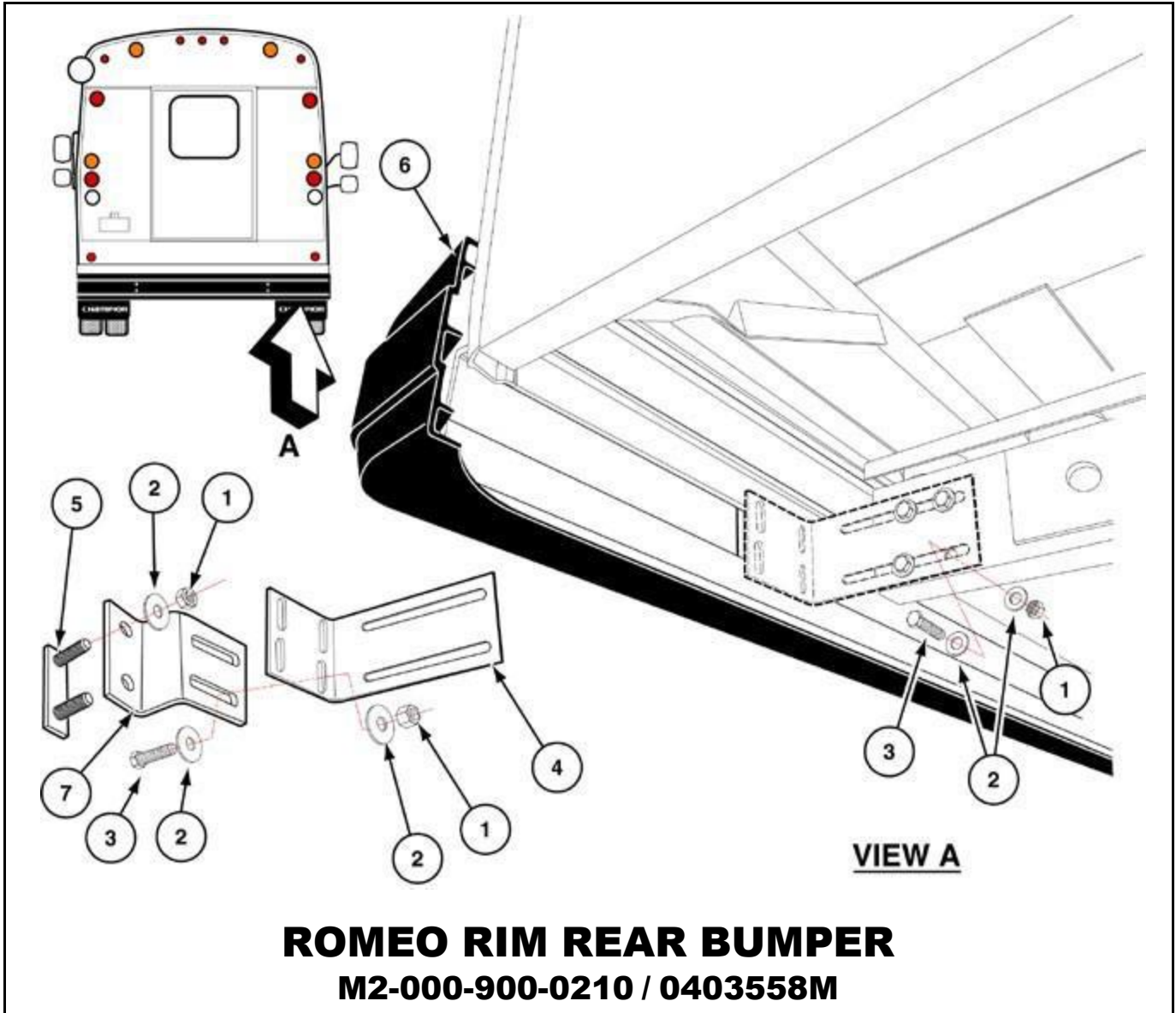




## ROMEO RIM BUMPER W/HAWKEYE DETECTOR

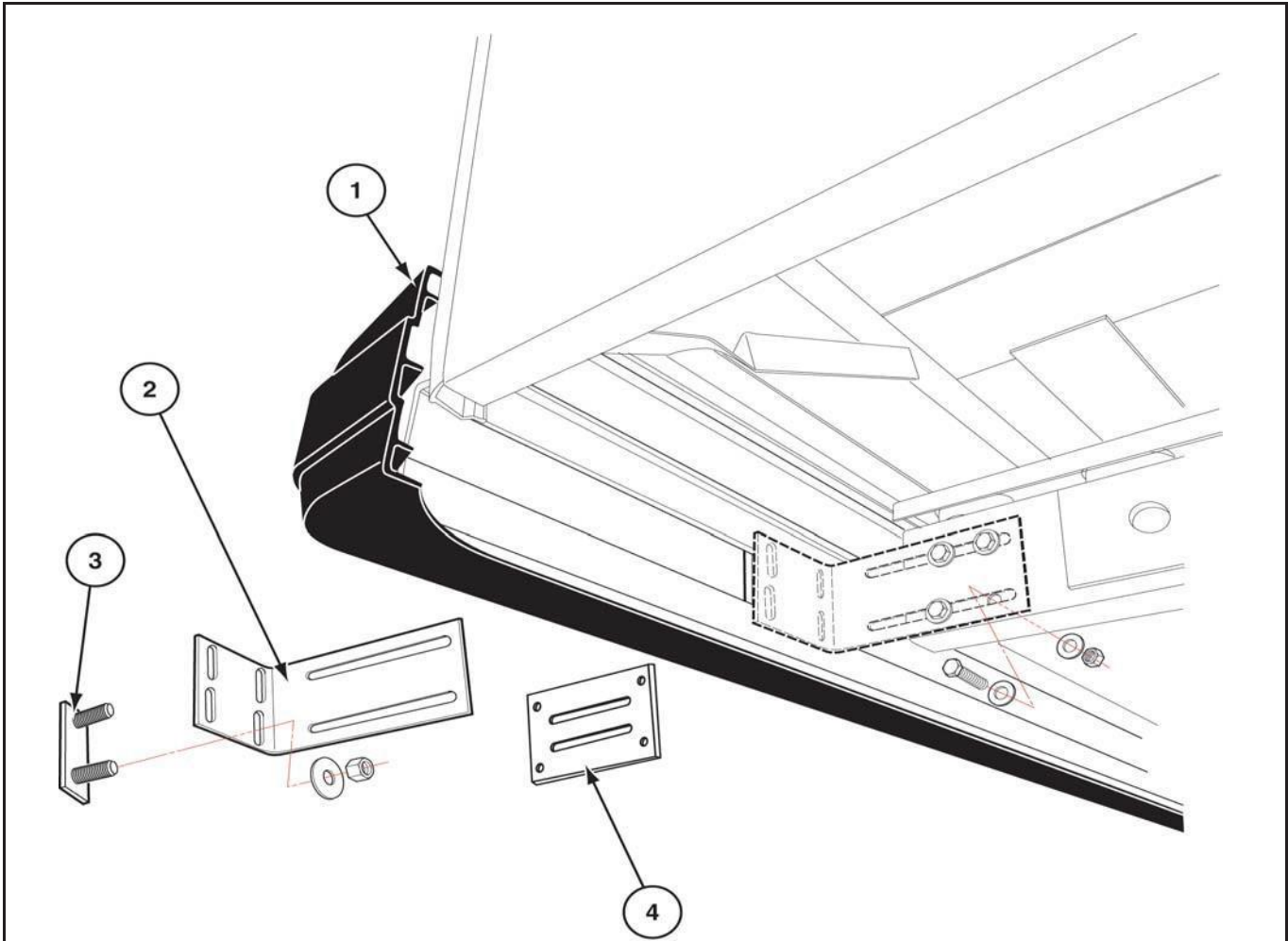
### 0414338

<i>ITEM PART NO.</i>	<i>DESCRIPTION</i>	<i>QTY</i>	<i>ITEM PART NO.</i>	<i>DESCRIPTION</i>	<i>QTY</i>
1	0170989 BUMPER, ROMEO RIM W/HAWKEYE DETECTOR	1			
2	0375348 BRACKET, BUMPER MOUNTING	2			
3	0377948 PLATE, REAR BUMPER MOUNTING (PART-B)	4			
4	0377851 PLATE, REAR BUMPER MOUNTING (PART-A)	2			



**ROMEO RIM REAR BUMPER**  
**M2-000-900-0210 / 0403558M**

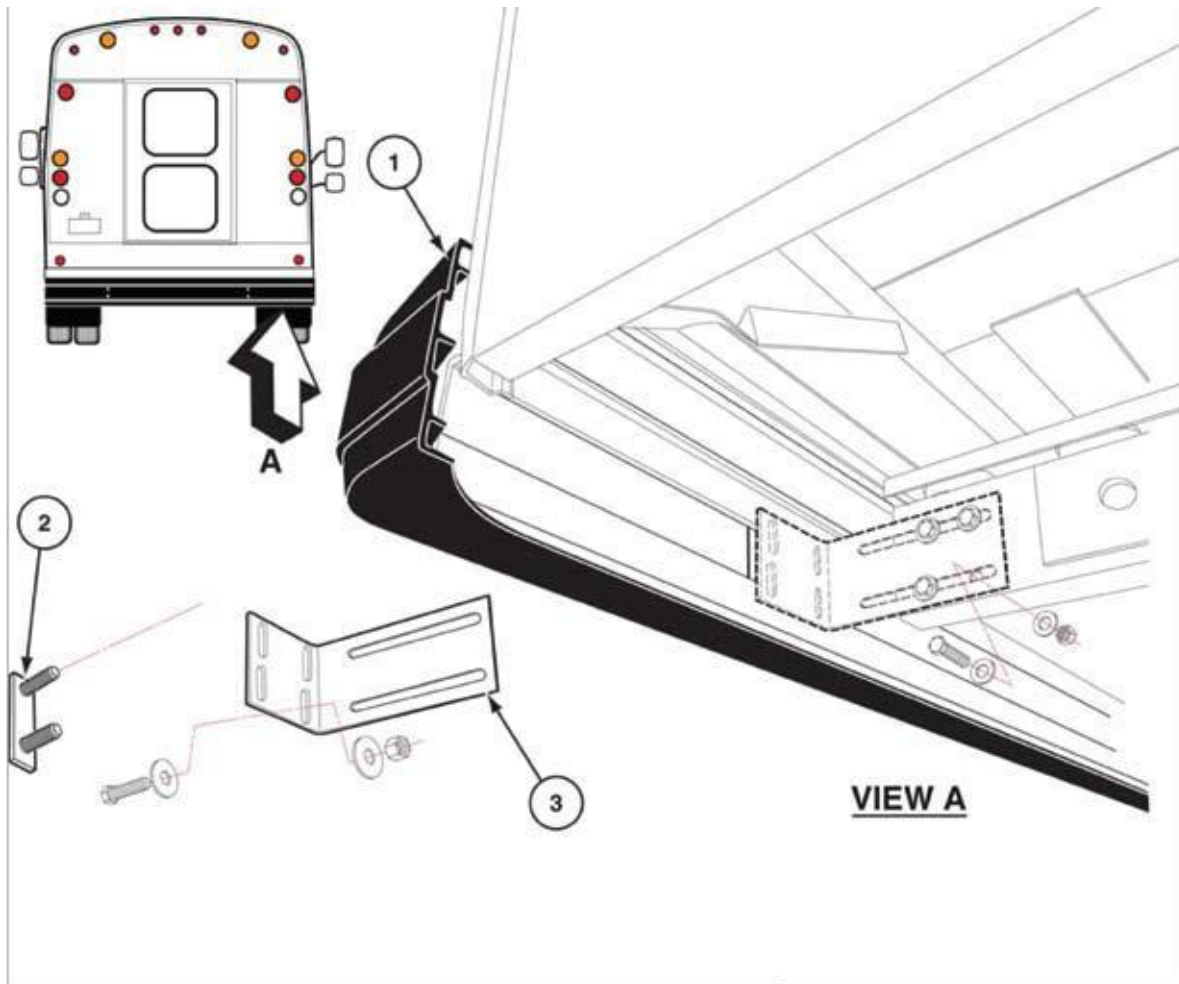
ITEM	PART NO.	DESCRIPTION	QTY	ITEM	PART NO.	DESCRIPTION	QTY
1	8541468	NUT, HEX 1/2" USS NYLOC GRD8	2				
2	8570876	WASHER, FLAT 1/2 USS GRD8	4				
03	8570954	BOLT, HEX 1/2-13 x 1.5 GRD8 PLATED	2				
4	NA						
5	0356121	BRACKET, MOUNTING BOLT 1-1/2 x 4-1/2	4				
6	0170992	BUMPER, REAR ROMEO RIM FULL WING CUT	1				
7	0379202	BRACKET, ROMEO RIM REAR PLATE R/S	1				
NS	0379201	BRACKET, ROMEO RIM REAR PLATE L/S	1				



## ROMEO RIM REAR BUMPER

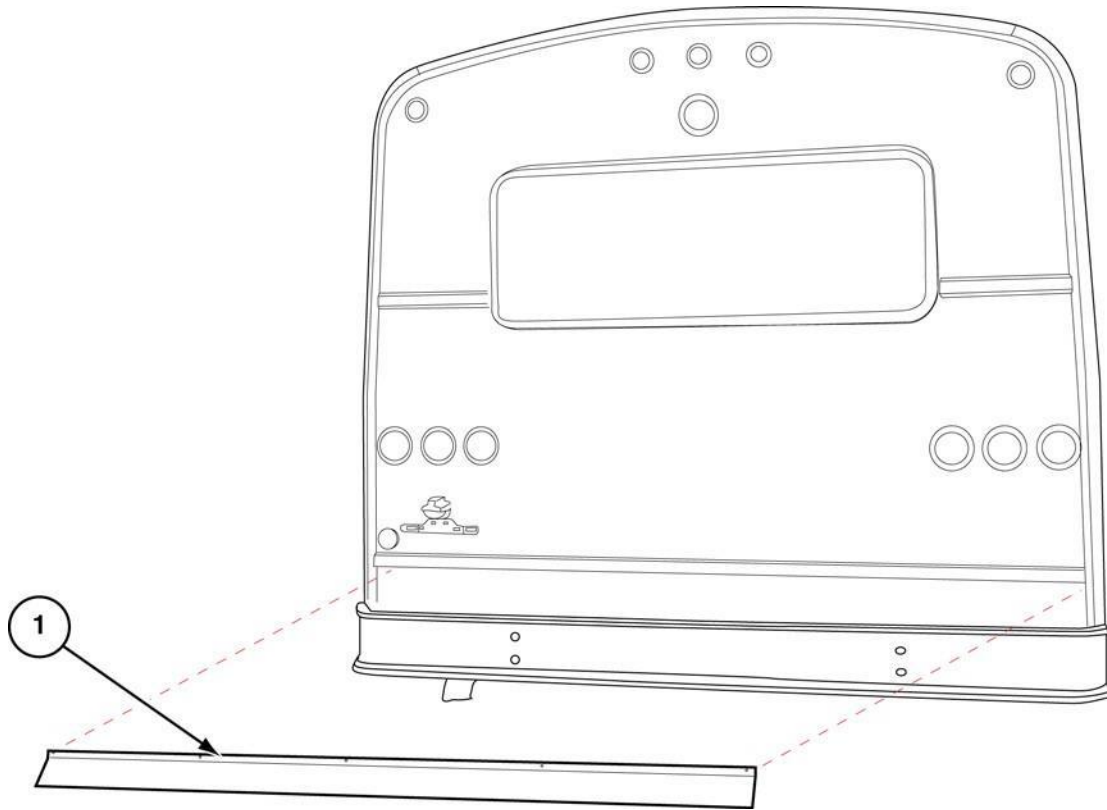
### CH-000-900-0210

<i>ITEM</i>	<i>PART NO.</i>	<i>DESCRIPTION</i>	<i>QTY</i>	<i>ITEM</i>	<i>PART NO.</i>	<i>DESCRIPTION</i>	<i>QTY</i>
1	0170992	BUMPER, ROMEO RIM REAR	1				
2	0375348	BRACKET, BUMPER	2				
3	0356121	BRACKET, MOUNTING BOLT	4				
4	NOT USED						



## ROMEO RIM BUMPER 102" w/ing EZ0000053246

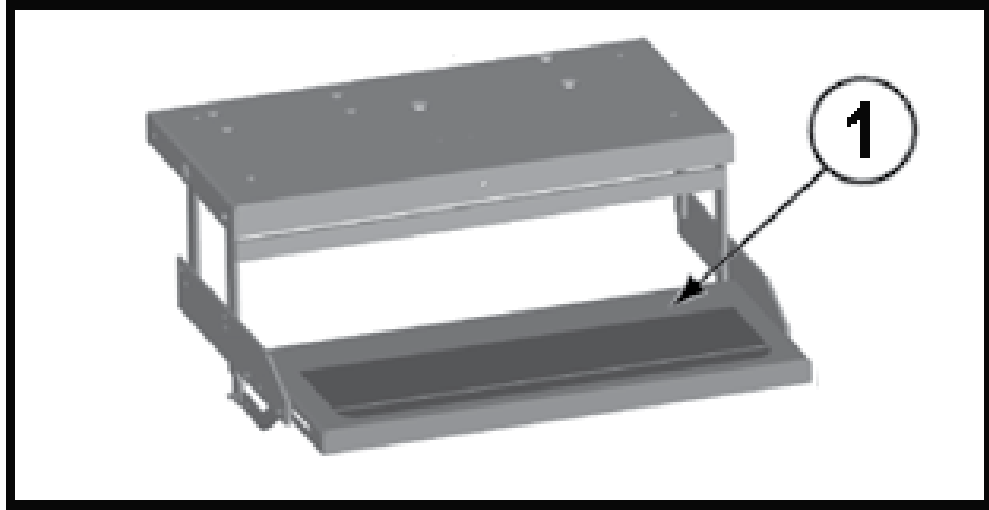
<i>ITEM</i>	<i>PART NO.</i>	<i>DESCRIPTION</i>	<i>QTY</i>	<i>ITEM</i>	<i>PART NO.</i>	<i>DESCRIPTION</i>	<i>QTY</i>
1	0171012	Bumper, Romeo Rim 102" Full Wing Cut	1				
2	0356121	Bracket, Mounting Bolt 1-1/2 x 4-1/2	4				
3	0374478	Bracket, Mounting Rear Bumper CH-R-D	2				
N/S	8570541	Bolt, Hex 1/2-13 x 3-1/4 GR5 HHCS	8				
N/S		Nut, Hex 1/2-13 USS Nyloc Gr8	8				



## INSTALL ANTI-RIDE REAR BUMPER

**0400678 - 0406166**

<i>ITEM PART NO. DESCRIPTION</i>	<i>QTY</i>	<i>ITEM PART NO. DESCRIPTION</i>	<i>QTY</i>
01 4370095 STEEL COIL (.21.x 48.0) PAINTED	1		
N/S 7970043 SEALANT, BOSTICK 2100	A/R		
N/S 8570819 POP-RIVET (1/8 x .375 - .624 GRIP) S/S	10		



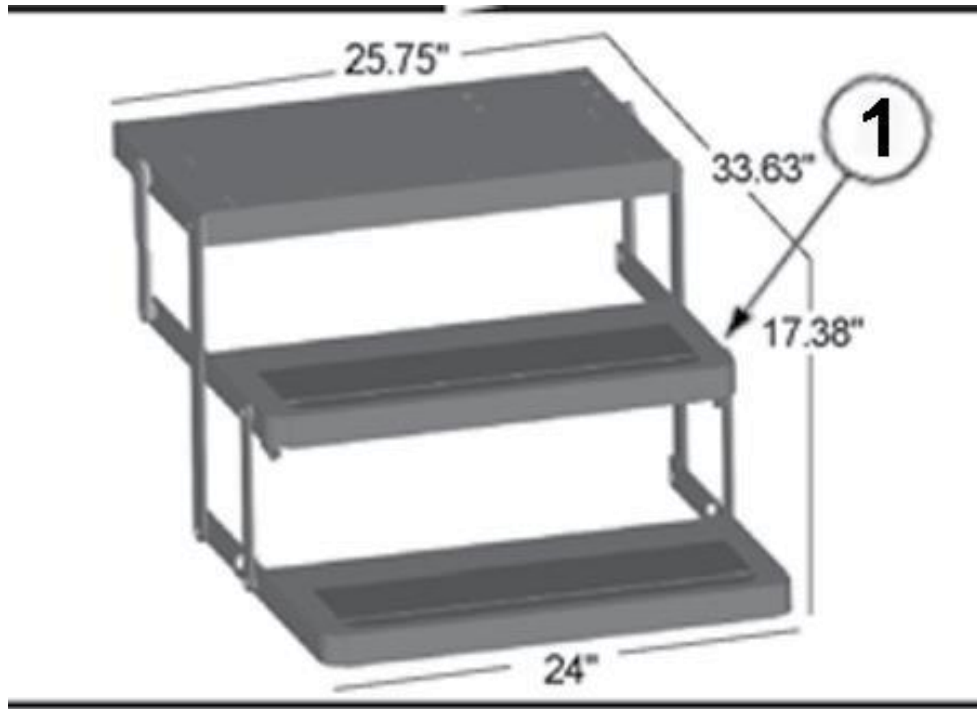
**Electric single step - rear bumper  
0420119**

<i>ITEM PART NO. DESCRIPTION</i>	<i>QTY</i>	<i>ITEM PART NO. DESCRIPTION</i>	<i>QTY</i>
01 0377698 Step, Electric Kwikiee W/Switch	1		
NS 0379380 Bracket, Mount Kwikiee Step (9 x 9)	1		



**Electric double Step - rear bumper  
0419435**

<i>ITEM PART NO. DESCRIPTION</i>	<i>QTY</i>	<i>ITEM PART NO. DESCRIPTION</i>	<i>QTY</i>
01 0377812 Step, Electric Kwikiee 40 Series Dbl Step	1		
NS 0377512 Frame, Rear Step Mount W/Step Bumper	1		
NS 0377513 Bracket, Rear Step Mount W/Step Bumper	2		



**electric rear step - kwiikee  
0419571**

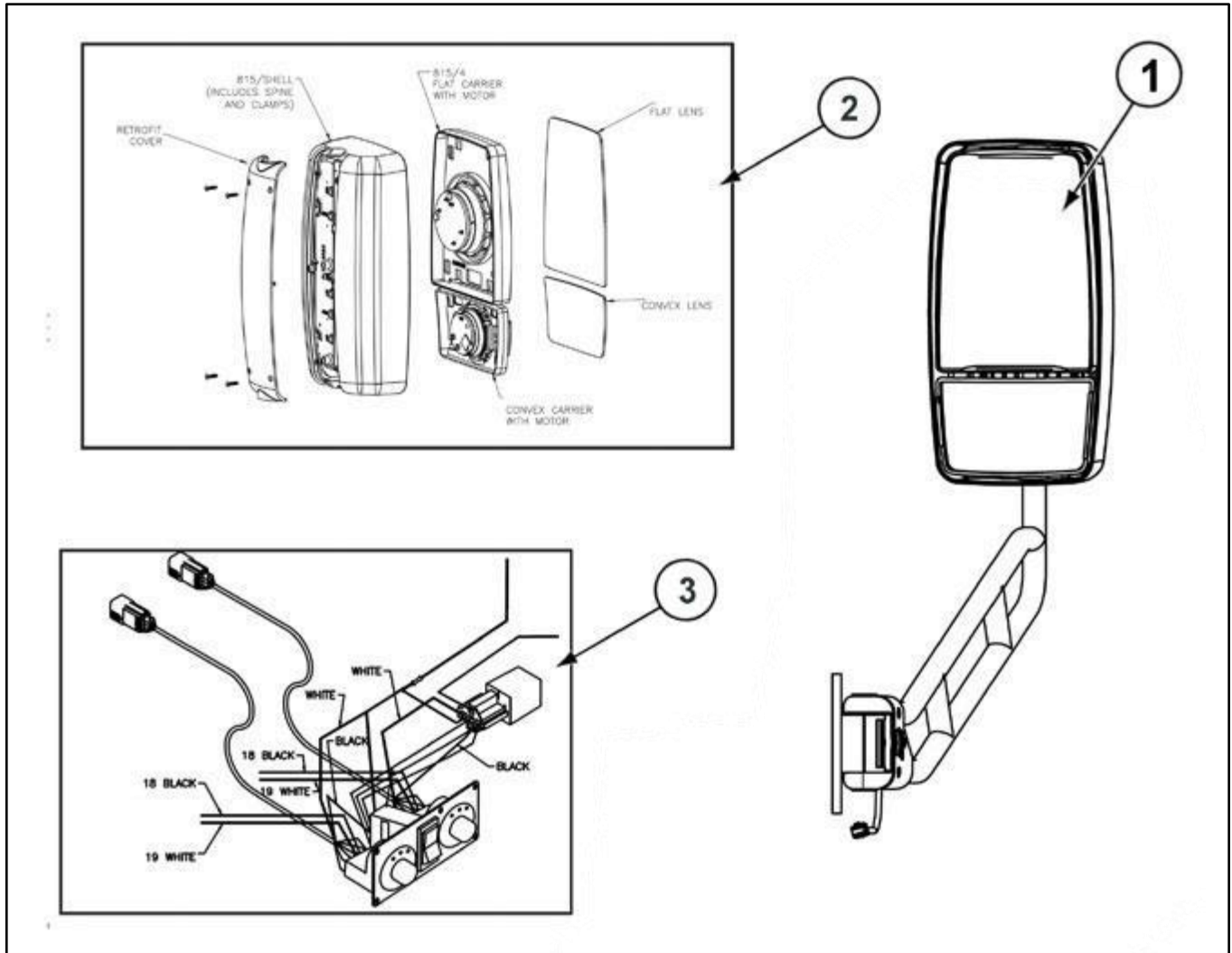
<i>ITEM PART NO. DESCRIPTION</i>	<i>QTY</i>	<i>ITEM PART NO. DESCRIPTION</i>	<i>QTY</i>
01 0377812 Step, Electric Kwiikee 40 Series Dbl	1		
0375348 Bracket, Bumper	2		
0379512 Frame, Rear Step Mount W/Step	1		
0379355 Bracket, Bumper Rear --B--	2		
0379354 Bracket, Bumper Rear --A--	2		
3974597 Breaker, 20 AMP Stud	1		





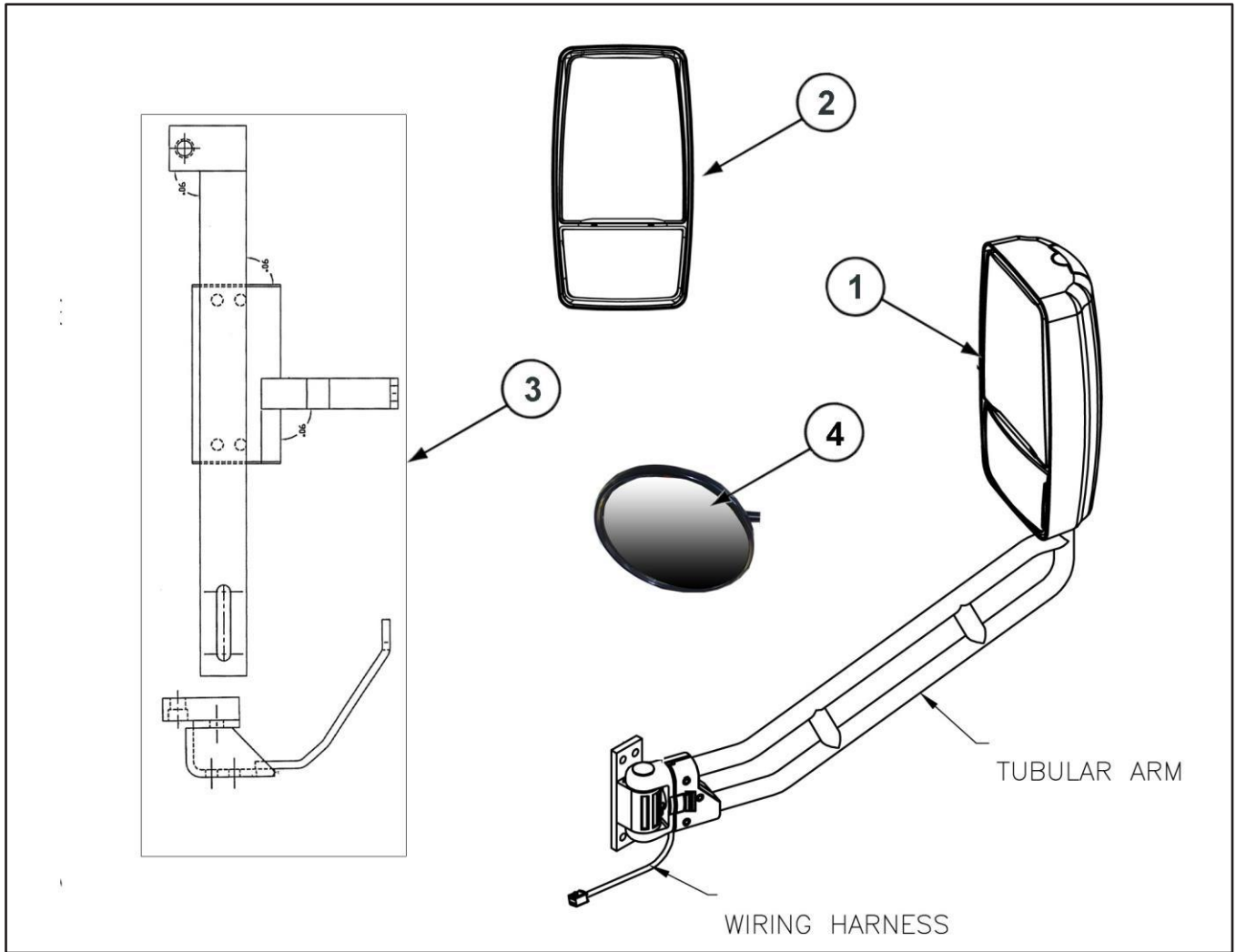
**exterior crossview mirror**  
**cx-000-900-3243 / cx0000073243**

<i>ITEM</i>	<i>PART NO.</i>	<i>DESCRIPTION</i>	<i>QTY</i>	<i>ITEM</i>	<i>PART NO.</i>	<i>DESCRIPTION</i>	<i>QTY</i>
01	6142111	MIRROR, DOLLY (w/MOUNT)	1				
N/S	6170120	WELLNUT, RUBBER	6				
N/S	8570981	SCREW, MACHINE (10-32 x 3/4 PHIL PAN)	6				
N/S	8571190	NUT, RIVET 1/4-20 .165-- .260	A/R				



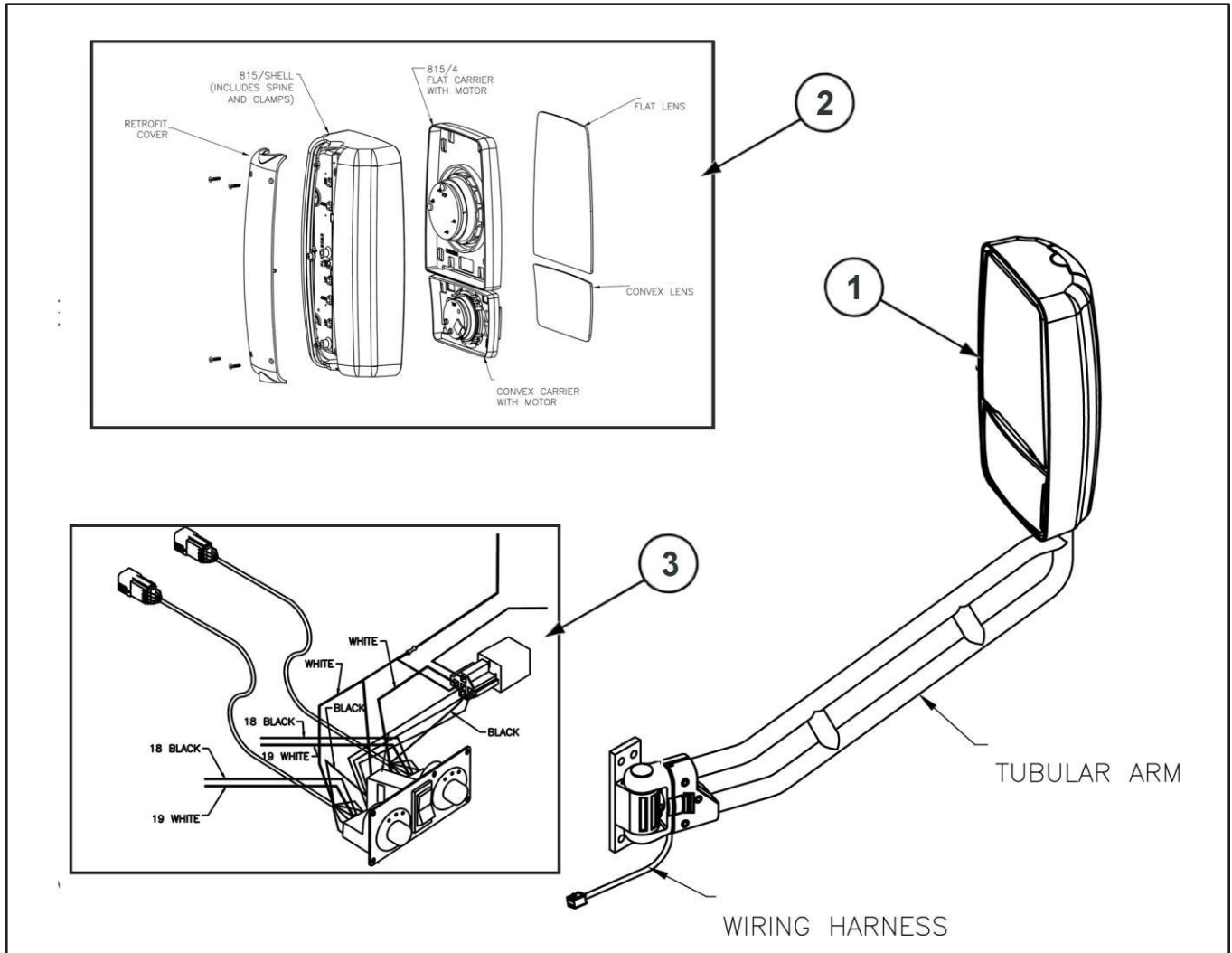
## ROSCO C/S manual mIRRORS m-2 0418962

<i>ITEM</i>	<i>PART NO.</i>	<i>DESCRIPTION</i>	<i>QTY</i>	<i>ITEM</i>	<i>PART NO.</i>	<i>DESCRIPTION</i>	<i>QTY</i>
1	6170536	Mirror, Rosco Manual C/S M2	1				
2	6170537	Mirror, Rosco Manual Head Only R/S	1				
3		Does Not Apply					
NS	0378855	Bracket, Mirror Mount C/S M2	1				



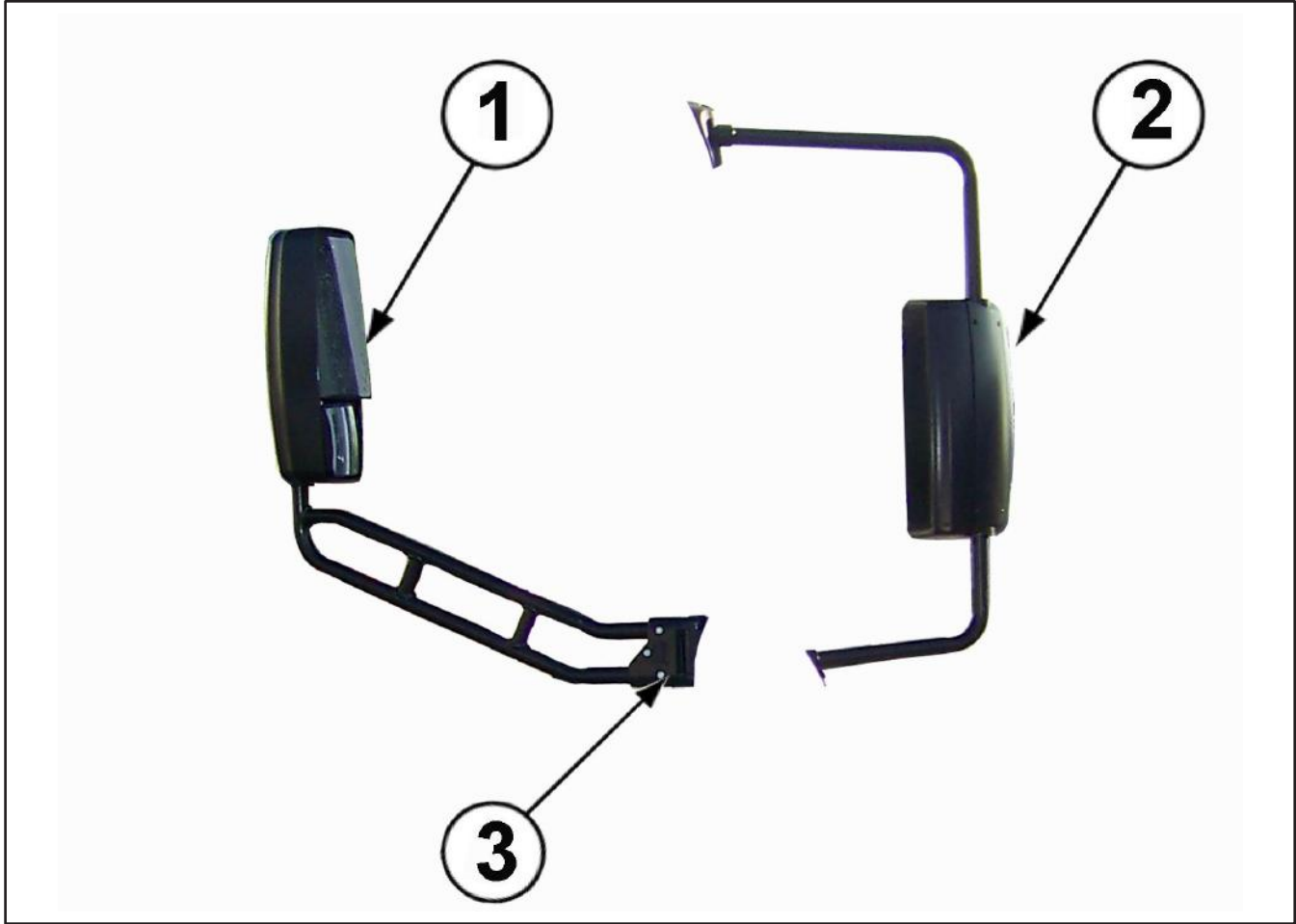
## ROSCO manual flat glaSS mIRRORS m-2 0418969

<i>ITEM PART NO. DESCRIPTION</i>	<i>QTY</i>	<i>ITEM PART NO. DESCRIPTION</i>	<i>QTY</i>
1 6170481 Mirror, Rosco Manual FFG C/S M2	1		
2 6170482 Mirror, Manual Head Only FFG R/S M2	1		
3 0378855 Bracket, Mirror Mount C/S M2	1		
4 6170480 Mirror, Rosco Convex 5" Round Clip On	1		



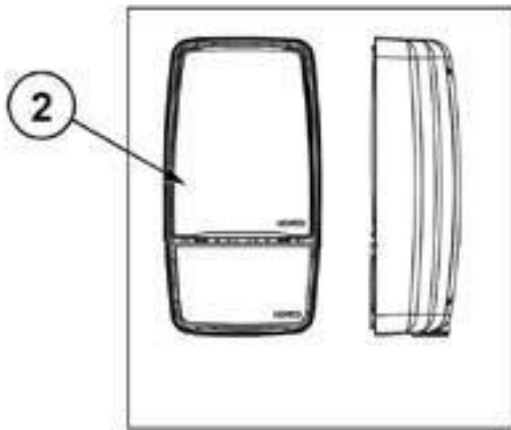
## ROSCO HTD REMOTE MIRRORS M-2 0418571

<i>ITEM PART NO. DESCRIPTION</i>	<i>QTY</i>	<i>ITEM PART NO. DESCRIPTION</i>	<i>QTY</i>
1 6170522 Mirror, Rosco Htd/Remote P/S M2	1		
2 6170523 Mirror, Rosco Head HTD/RMT Head M21	1		
3 6170524 Switch, Rosco 8-Pin HTD/RMT Mirror	1		
NS 0378855 Bracket, Mirror Mount C/S M2	1		

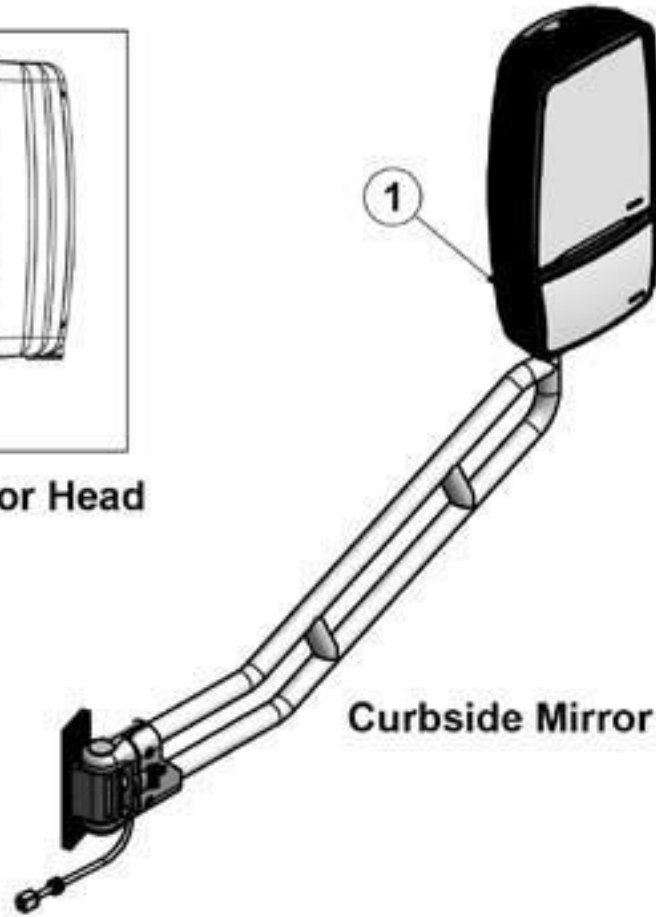


## Mirrors, M2-3200 htd/rMt/led turn 0417001

<i>ITEM PART NO. DESCRIPTION</i>	<i>QTY</i>	<i>ITEM PART NO. DESCRIPTION</i>	<i>QTY</i>
1 6170476 Mirror, C/S Head Htd/Rmt/LED Turn	1		
2 6170477 Mirror, R/S Head Htd/Rmt/LED Turn	1		
3 0378855 Bracket, C/S Mirror Mount M2	1		
NS 6170478 Switch, Mirror Mount C/S M2	1		



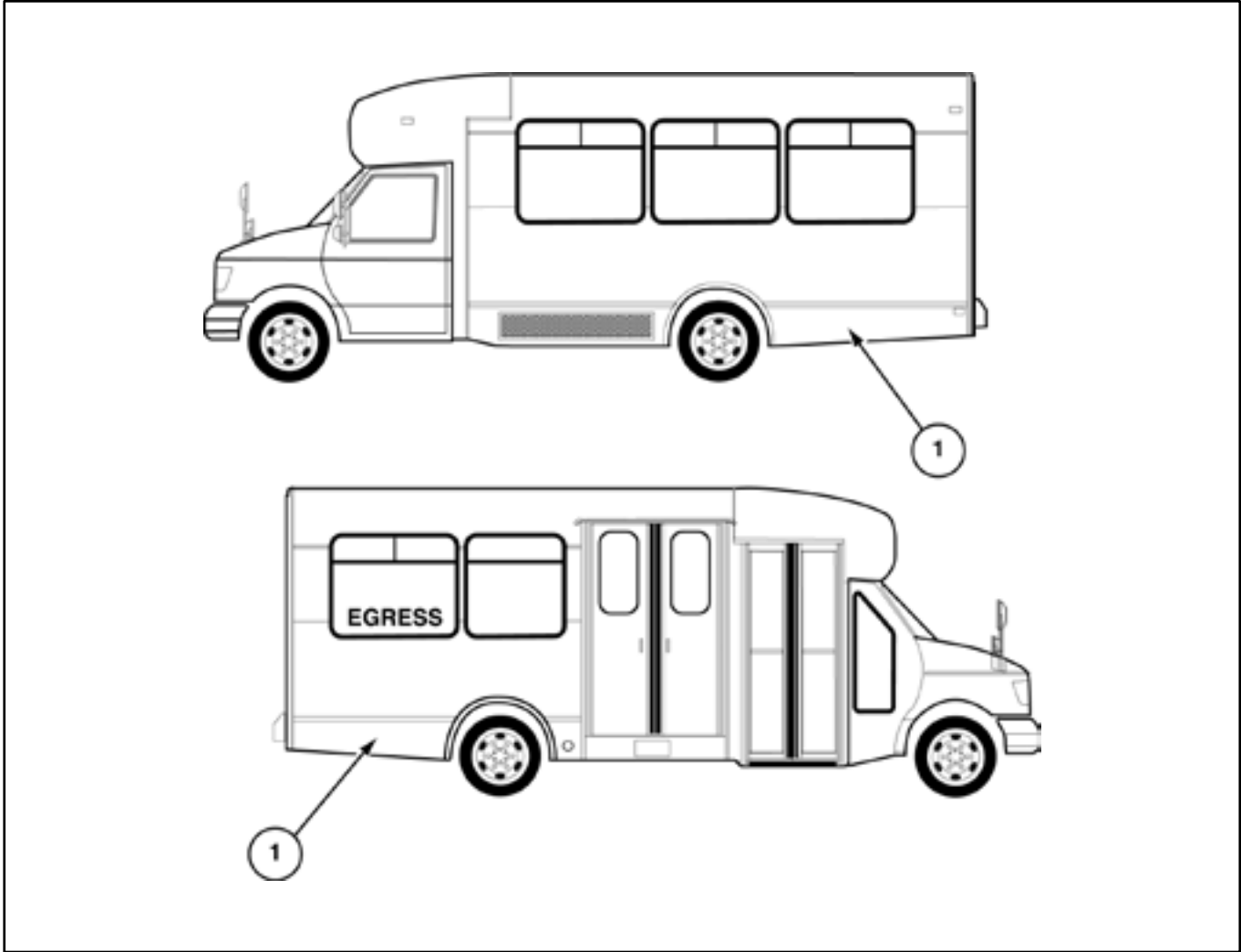
**Roadside Mirror Head**



**Curbside Mirror**

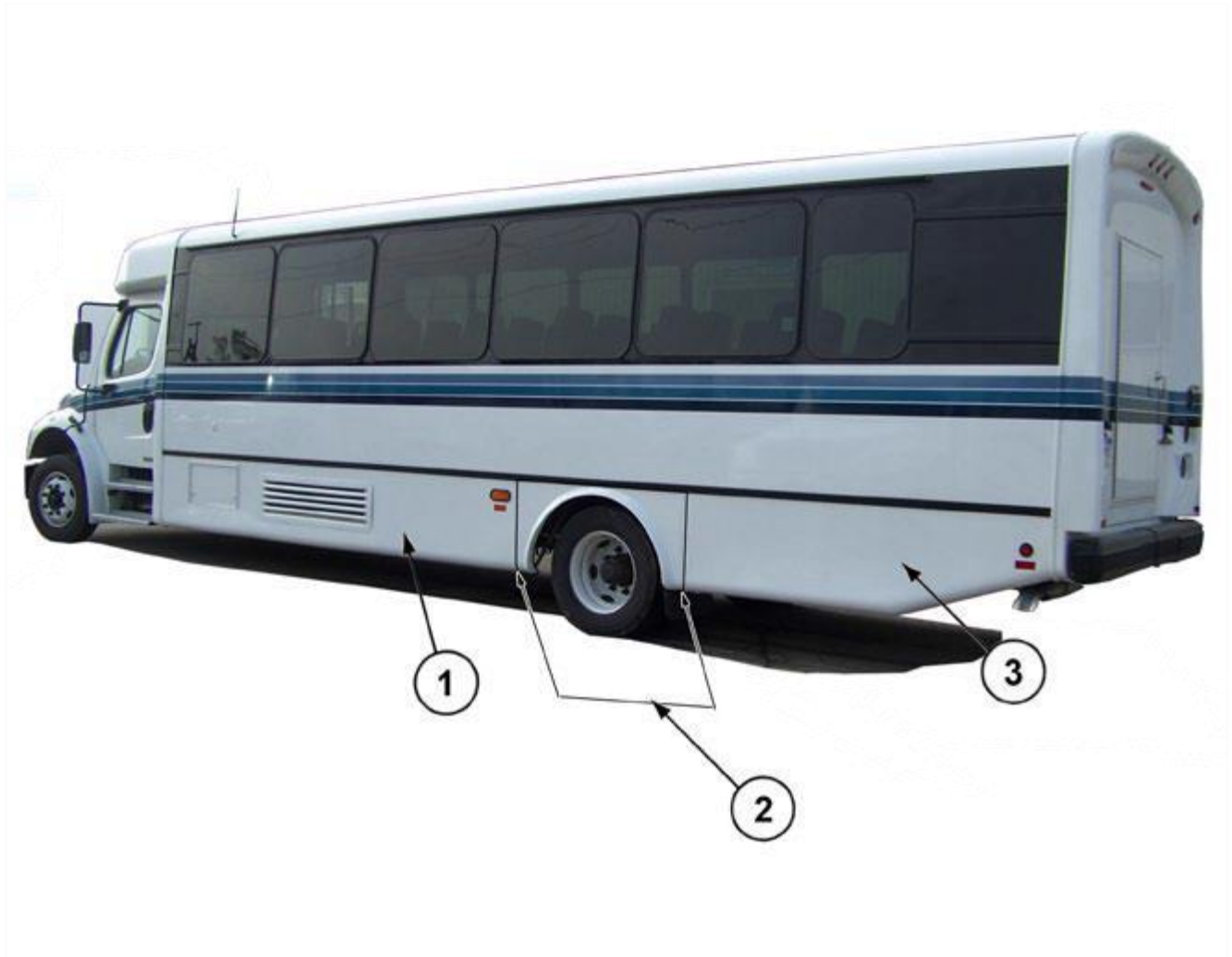
**rosco mirrors heat/remote m2  
0420462**

<i>ITEM PART NO. DESCRIPTION</i>	<i>QTY</i>	<i>ITEM PART NO. DESCRIPTION</i>	<i>QTY</i>
1 6170612 Mirror, P/S Rosco Heat/Remore M2 102" W	1		
2 6170523 Mirror, R/S Rosco HTD/RMT Head M2	1		
NS 6170524 Switch, Rosco 8-Pin HTD/RMT Mirror	1		
NS 0378855 Bracket, Mirror Mount C/S M2	1		
NS 3975234 Harness, M2 Mirror Head R/S	1		



## SKIRT PAN METAL ALL ASSEMBLIES

<i>ITEM PART NO. DESCRIPTION</i>	<i>QTY</i>	<i>ITEM PART NO. DESCRIPTION</i>	<i>QTY</i>
01 4342879 STEEL, COIL	AR		
NS 0376281 HANGER, SIDE PAN 14"	AR		
NS 0376282 HANGER, SIDE PAN 10"	AR		
NS 0372771 SUPPORT, SIDE PAN 18.5"	AR		
NS 0374477 SUPPORT, SIDE PAN 27"	AR		
NS 0360446 ANGLE, 16GA GALVANIZED	AR		



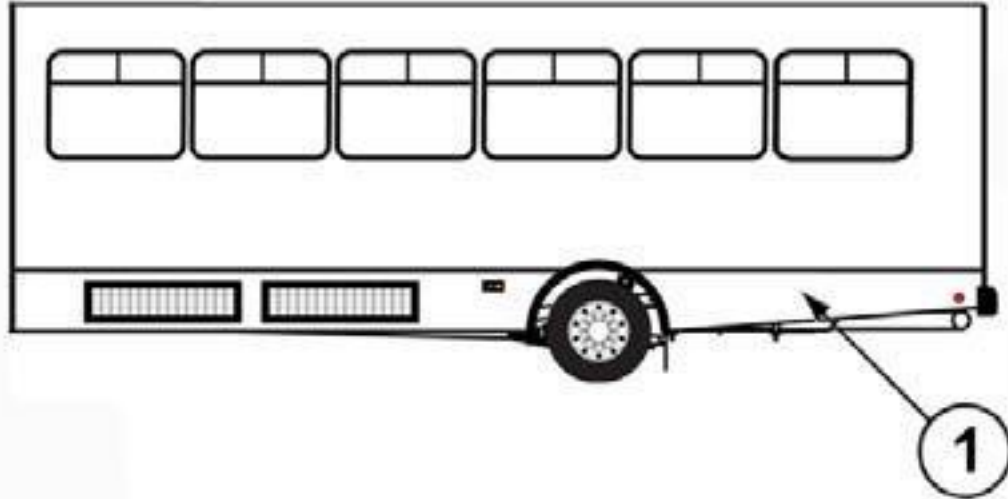
## molded fiberglass skirting 0418102

<i>ITEM PART NO. DESCRIPTION</i>	<i>QTY</i>	<i>ITEM PART NO. DESCRIPTION</i>	<i>QTY</i>
1 3371838 Skirt, American Coach Center	2		
2 3371841 Skirt, American Coach Wheelwell	2		
3 3371839 Skirt, American Coach RS Rear	1		
NS 3371840 Skirt, American Coach CS Rear	1		
NS 3371842 Wing, Driver's Extension Am Coach	1		

(NOTE: C/S parts are similar to R/S skirting parts)

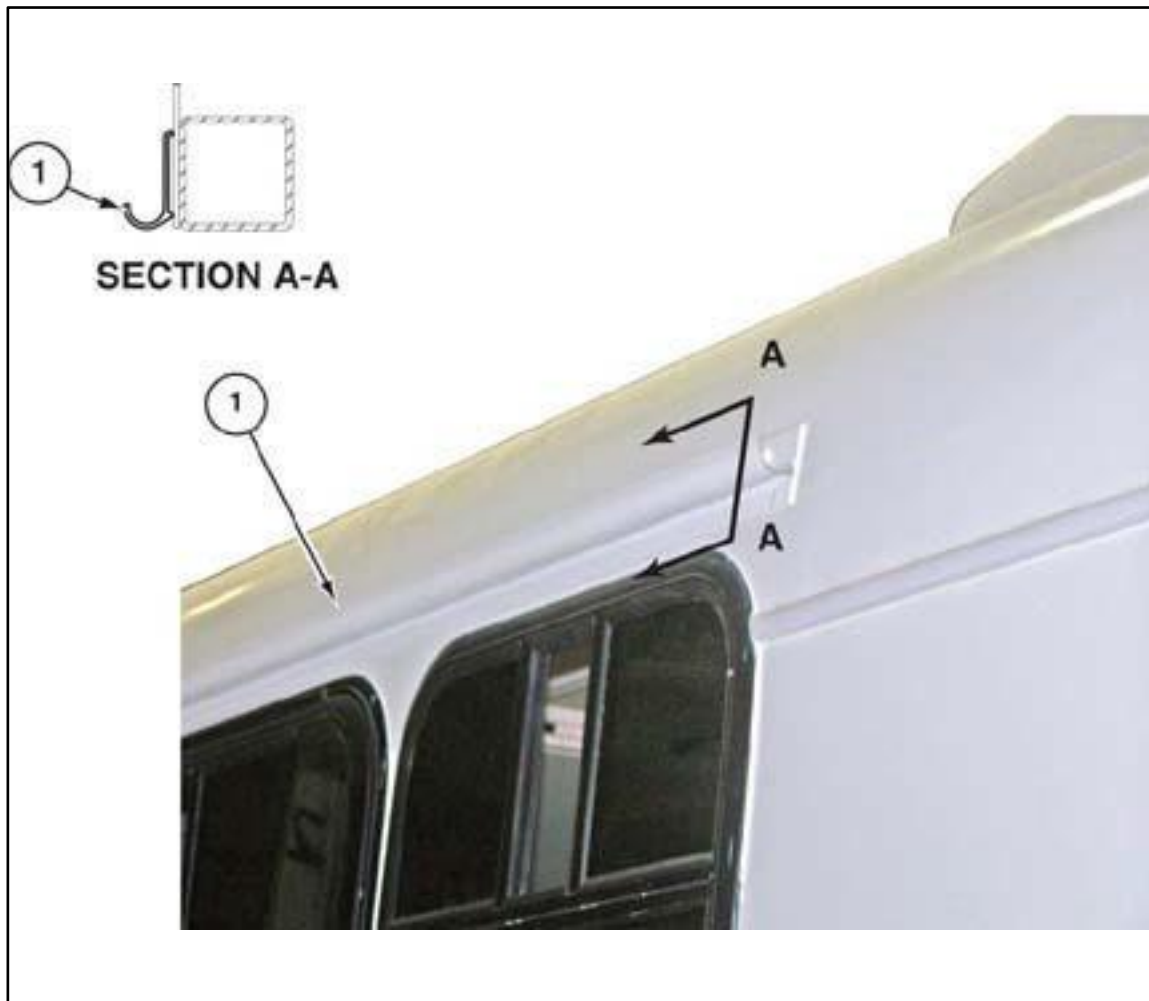


**BEFORE PLACING ORDER FOR  
EXTERIOR GELCOAT PANELS YOU  
MUST HAVE DIMENSION REQUIRED  
FOR REPAIR**



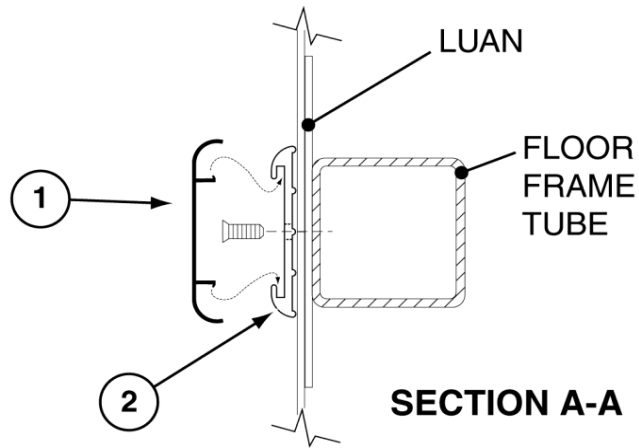
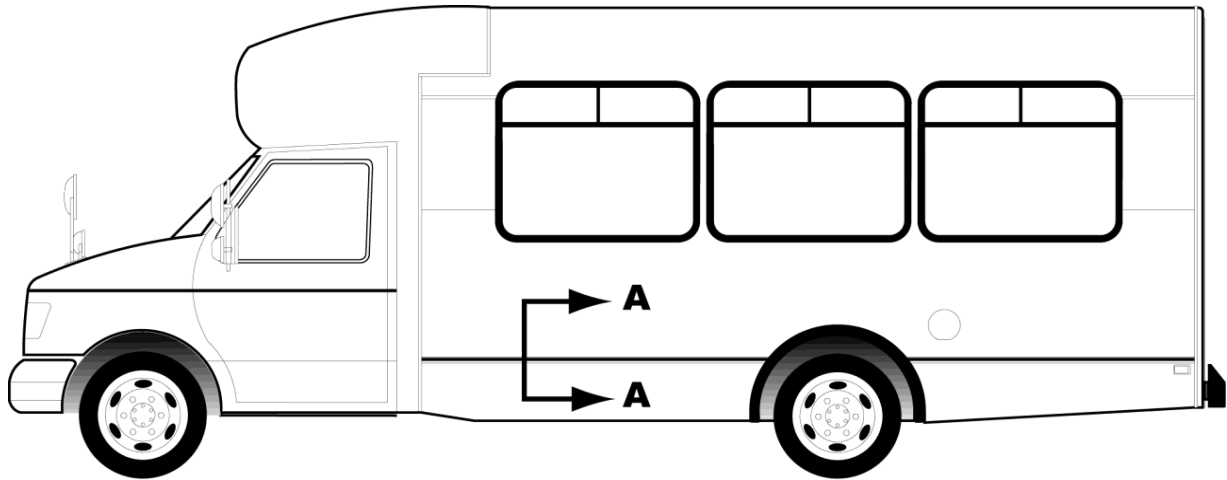
## **Ext GEIcoat SKIRt panEIS hc-df Int'l 0417---(REV-a)**

<i>ITEM PART NO. DESCRIPTION</i>	<i>QTY</i>	<i>ITEM PART NO. DESCRIPTION</i>	<i>QTY</i>
01 3371971 Panel, CTEC 100 4MM x 348" x 48"	AR	<b>INCLUDED IN THE FOLLOWING ASSEMBLIES:</b>	
NS 0360446 Angle, 16GA x 1.0 x 1.5 x 96.0	AR		
NS 0376281 Hanger, Side Pan 14' (4 Degree)	AR	<b>0417377</b>	
NS 0376472 Hanger, Side Pan 24" (4 Degree)	AR	<b>0417378</b>	
NS 0374477 Support, Side Pan 27" All Floors	AR	<b>0417379</b>	
NS 4541124P Edge, Roof Polar White 16'	AR	<b>0417380</b>	
NS 0372771 Support, Side Pan 18.5"	AR	<b>0417381</b>	
NS 3371988 Trim, "H" .188 Thick Panel	AR	<b>0417382</b>	
		<b>0417383</b>	



## Drip moldings over windows 53250 Assemblies

<i>ITEM PART NO. DESCRIPTION</i>	<i>QTY</i>	<i>ITEM PART NO. DESCRIPTION</i>	<i>QTY</i>
01 0378099 RAIL, DRIP 1.25 x 24' WHITE	A/R	<b>ALSO INCLUDES THE FOLLOWING ASSEMBLIES:</b>	
N/S 8970397 SEAL, COMPRI 1/8" x 3/4" x 50'	A/R	CH2300053250	
		DF2700053250	
		DF2900053250	
		DF3100053250	
		DF3500053250	
		DF3800053250	

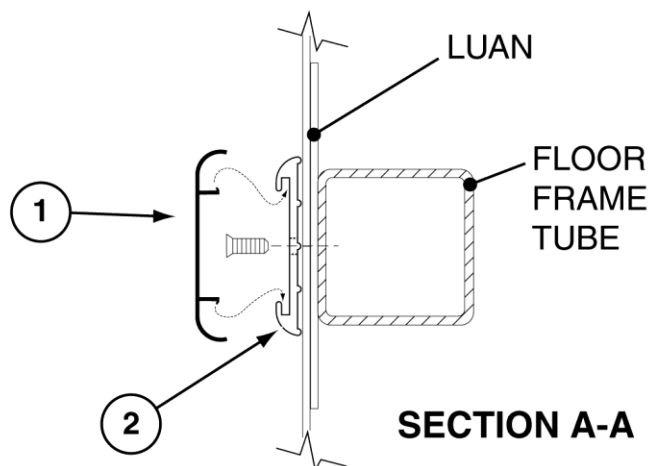
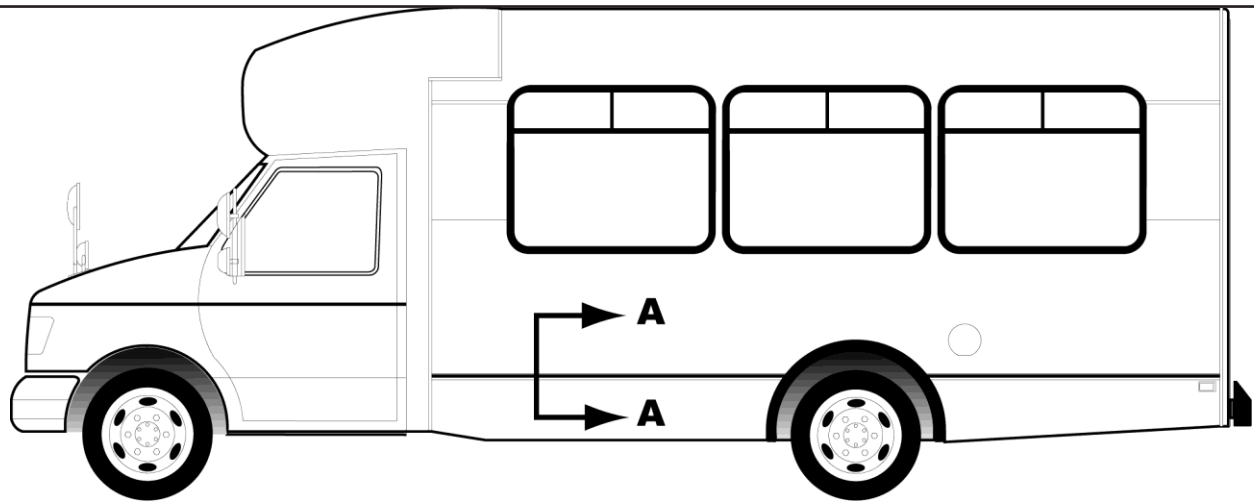


## RUB RAIL

**0411274 (23' oR Less)**

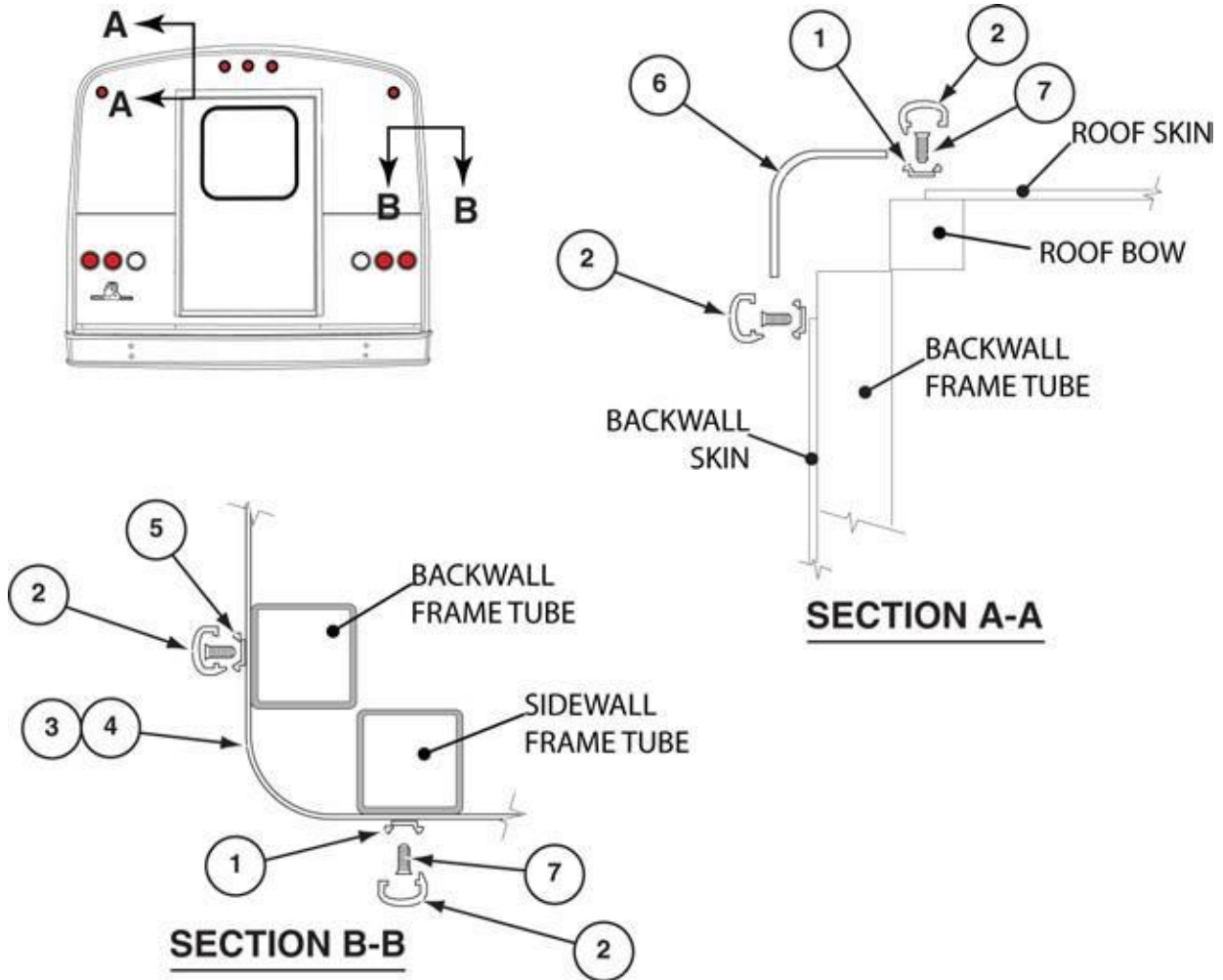
**0411275 (25' oR gReAteR)**

<i>ITEM</i>	<i>PART NO.</i>	<i>DESCRIPTION</i>	<i>QTY</i>	<i>ITEM</i>	<i>PART NO.</i>	<i>DESCRIPTION</i>	<i>QTY</i>
01	4570148	CAP, RUB RAIL 2" x 16' T-5	AR				
02	4570147	RAIL, RUB 2" WIDE x 16' WHITE T-5	AR				



**RUB RAIL - WHITE**  
**0411276**

<i>ITEM</i>	<i>PART NO.</i>	<i>DESCRIPTION</i>	<i>QTY</i>	<i>ITEM</i>	<i>PART NO.</i>	<i>DESCRIPTION</i>	<i>QTY</i>
01	4570148	CAP, RUB RAIL 2" X 16' T-5	4				
02	4570147	RAIL, RUB 2" WIDE X 16' WHITE T-5	4				
NS	8971283	TAPE, BUTYL 1 X 25MM (150' ROLL) D18 AR					



## FLAT BACK REAR FIBERGLASS TRIM PANELS CH-000-999-3090

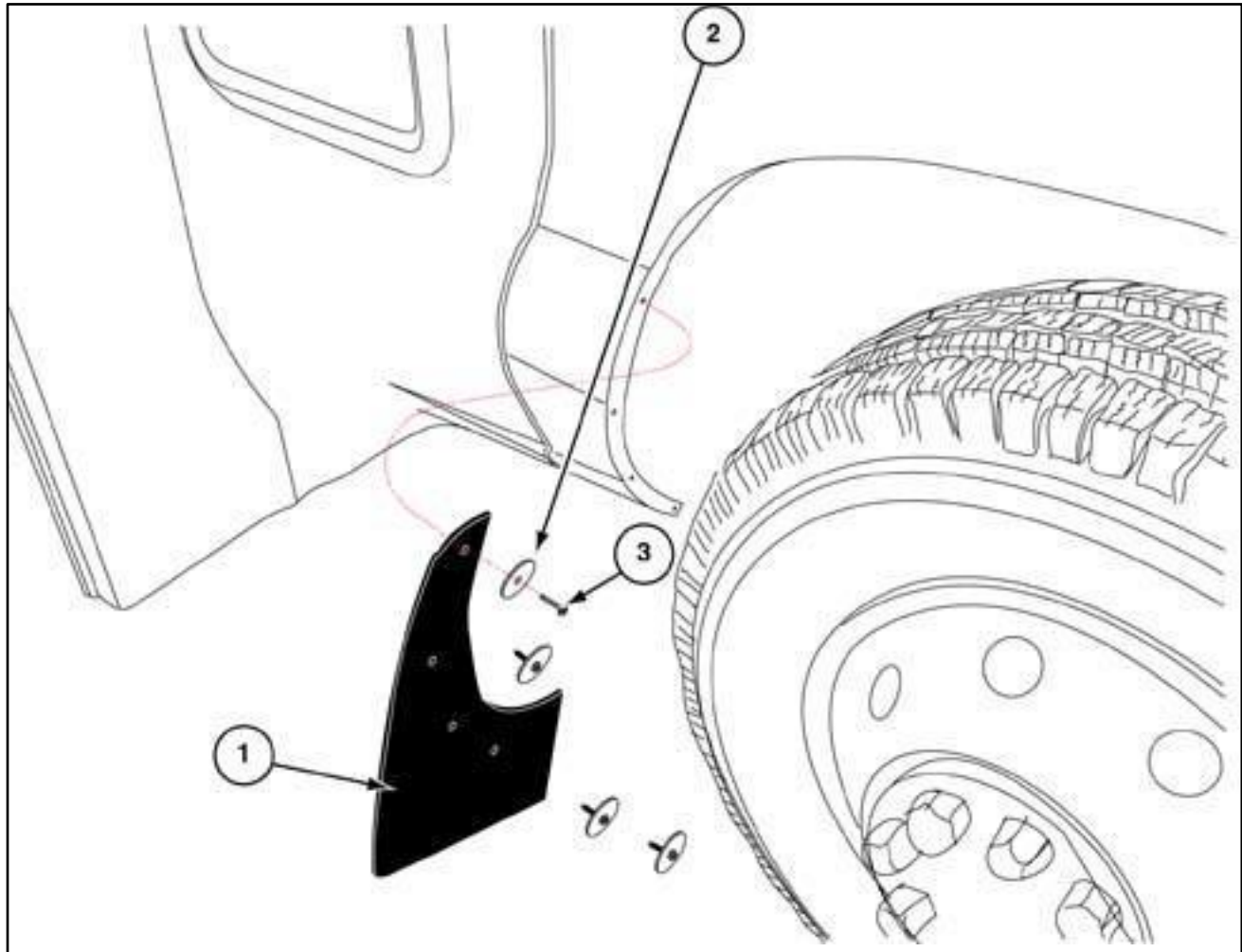
<i>ITEM</i>	<i>PART NO.</i>	<i>DESCRIPTION</i>	<i>QTY</i>	<i>ITEM</i>	<i>PART NO.</i>	<i>DESCRIPTION</i>	<i>QTY</i>
1	4570101	TRACK, RVL ALUMINUM TRIM 2 (12') T6	4				
2	3342037F	COVER, RVL .13 Leg Frost White	A/R				
3	3371203	TRIM, EXTERIOR Corner Fiberglass 4° C/S	1				
4	3371204	TRIM, EXTERIOR Corner Fiberglass 4° R/S	1				
5	4540266	TRACK, RVL ALUMINUM TRIM 2 (12') T4	1				
6	3371163	CAP, EXTERIOR UPPER Fiberglass 94" 4°	1				
07	8570931	SCREW (8 x 1)	120				
N/S	8570753	SCREW (10 x 1) PAN PHIL S/S BLACK	2				



## ReaR fiBeRglass cap-ameRican coach 0415511

<i>ITEM PART NO. DESCRIPTION</i>	<i>QTY</i>	<i>ITEM PART NO. DESCRIPTION</i>	<i>QTY</i>
01 3371740 Cap, Rear Fiberglass Amer Coach	1		
NS 4570101 Track, RVL Aluminum Trim 2 (12')	4		
NS 3342037F Cover, RVL .13 Leg Frost White 200'AR			

(NOTE: Lights, Door and Bumper are not included with the fiberglass cap)



## FRONT MUD FLAPS CH/CR 10605/ -0605

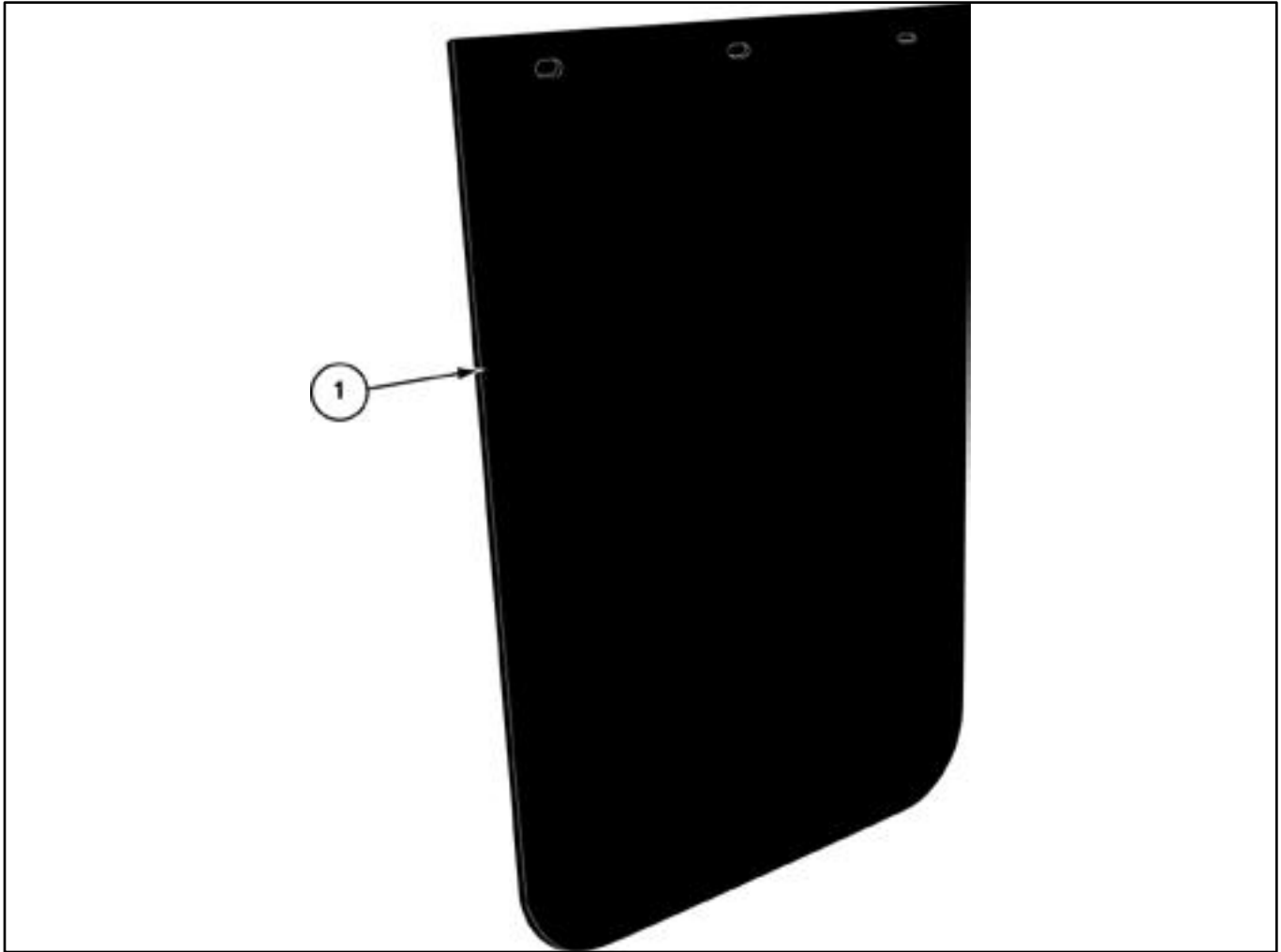
<i>ITEM PART NO. DESCRIPTION</i>	<i>QTY</i>	<i>ITEM PART NO. DESCRIPTION</i>	<i>QTY</i>
01 0580027 Flap, Mud Front	2	<b>REFERS TO ALL ASSEMBLIES LISTED BELOW:</b>	
02 8540940 Washer, Flat 3/16 USS	10	<b>CX000FN10605 0403561</b>	
03 8570936 Screw, 8 x 1 Pan Quad T2 Cad Blk	10	<b>CX000FF10605</b>	
NS 8570910 Washer, Shim 3/16"	10	<b>CX000FP10605</b>	
		<b>CX000FL10605</b>	
		<b>CX000FU10605</b>	
		<b>CX000FY10605</b>	
		<b>CX000GA10605</b>	
		<b>CX000GB10605</b>	
		<b>CH-000-900-0605 CT-000-900-0605</b>	



## mud flaps all assEmBlIEs

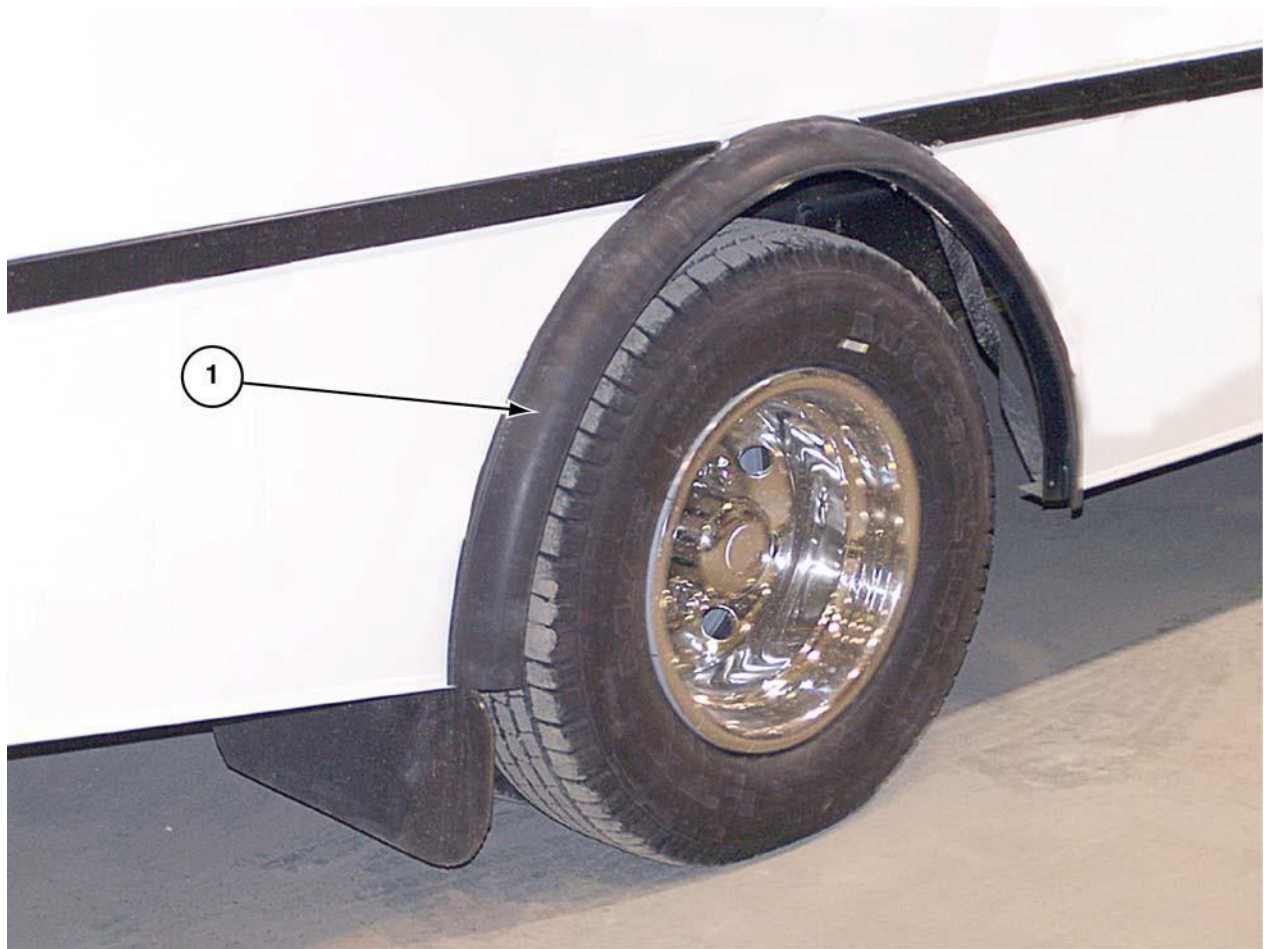
<i>ITEM PART NO. DESCRIPTION</i>	<i>QTY</i>	<i>ITEM PART NO. DESCRIPTION</i>	<i>QTY</i>
<b>0419556 Front-Rear Mud Flaps</b>		<b>0408551 Install, Mud Flap 20" x 28"</b>	
01 0570232 Flap, Mud 1/4" x 24" x 33" Rubber	4	01 0570002 Flap, Mud (20" x 28")	2
NS 0379630 Bracket, Mud Flap Support Part A	2	<b>0419955 Front-Rear Mud Flaps 24" x 33"</b>	
NS 0379631 Bracket, Mud Flap Support Part B	2	01 0570232 Flap, Mud 1/4" x 24" x 33" Rubber	4
<b>0410411 Mud Flap 24" x 33"</b>		NS 0379623 Bracket, Mud Flap T-Support	2
01 0570090 Flap, Mud 1/4" x 24" x 33" (Pair)	2	NS 0379624 Bracket, Mud Flap Support Part-B	2
NS 0372656 Angle, 11GA 1 1/2 x 120.0	AR		





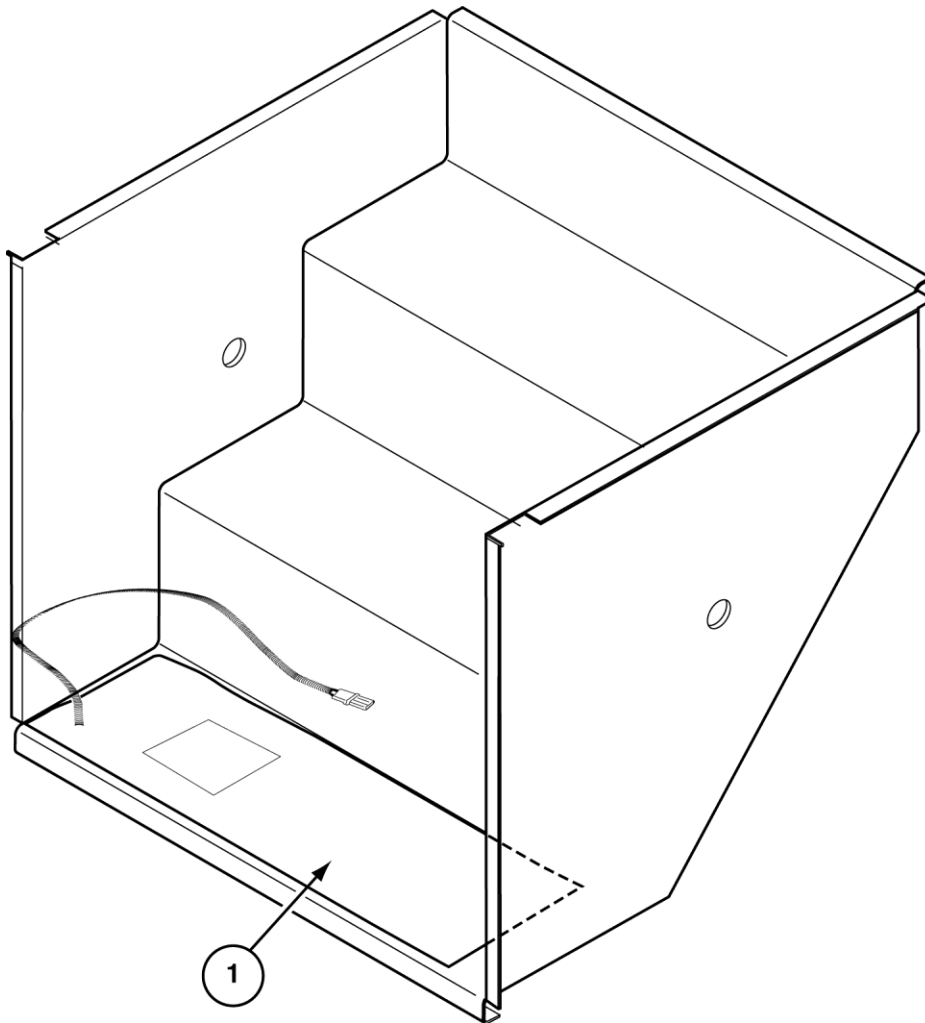
## MUD FLAPS VARIOUS ASSEMBLIES

<i>ITEM PART NO. DESCRIPTION</i>	<i>QTY</i>	<i>ITEM PART NO. DESCRIPTION</i>	<i>QTY</i>
<b>0408551 Install, Mud Flaps (20 x 28)</b>			
01 0570002 Mud Flap (20 x 28) Black W/CBI Logo	2		
<b>0421261 Install, Mud Flap (20 x 28) Intl/M2/Ter</b>			
01 0570232 Flap, Mud (¼" x 24 x 33") Rubber	2		
NS 0348250 Steel, Flat 11GA x 3 x 10'	.1		
NS 0374044 Bracket, Tiedown L W/Hole	1		



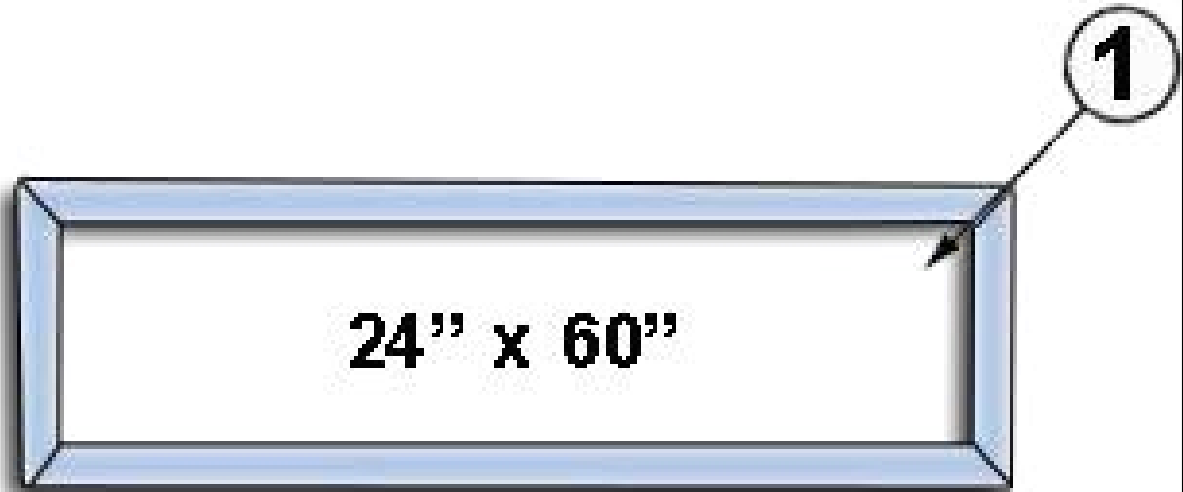
## INSTALL FENDER EXTRUSION CH-250-400

<i>ITEM</i>	<i>PARTNO.</i>	<i>DESCRIPTION</i>	<i>QTY</i>	<i>ITEM</i>	<i>PARTNO.</i>	<i>DESCRIPTION</i>	<i>QTY</i>
01	3344942	EXTRUSION, FENDER (50FT)	A/R				
N/S	8570935	SCREW, (8 x 1) FLAT QDX T2 CLEAR EMPGD	16				



**ELECTRIC HEATED ENTRY STEPS**  
**CX-000-900-3121**

<i>ITEM</i>	<i>PART NO.</i>	<i>DESCRIPTION</i>	<i>QTY</i>	<i>ITEM</i>	<i>PART NO.</i>	<i>DESCRIPTION</i>	<i>QTY</i>
01	2143592	HEATER, ENTRANCE STEP (12-VOLT)	3				
N/S	0741058	INSULATION BOARD (1 x 48 x 96)	A/R				
N/S	3971290	BREAKER, 20 AMP	1				



## Sidewall Ad Frame

**exterior ad frame (24" x 60")**  
**6570276**

<i>ITEM PART NO. DESCRIPTION</i>	<i>QTY</i>	<i>ITEM PART NO. DESCRIPTION</i>	<i>QTY</i>
01 6570276 Sign, Exterior Ad Frame 24 x 60" Alum.	1		



**exterior ad frames - white 38 x 41  
0418104**

<i>ITEM PART NO. DESCRIPTION</i>	<i>QTY</i>	<i>ITEM PART NO. DESCRIPTION</i>	<i>QTY</i>
01 6570171 Sign, Exterior Ad Frame 38H x 41W	2		



**CHAMPION**  
**BUS, INC.**  
Thor Industries Commercial Bus Division

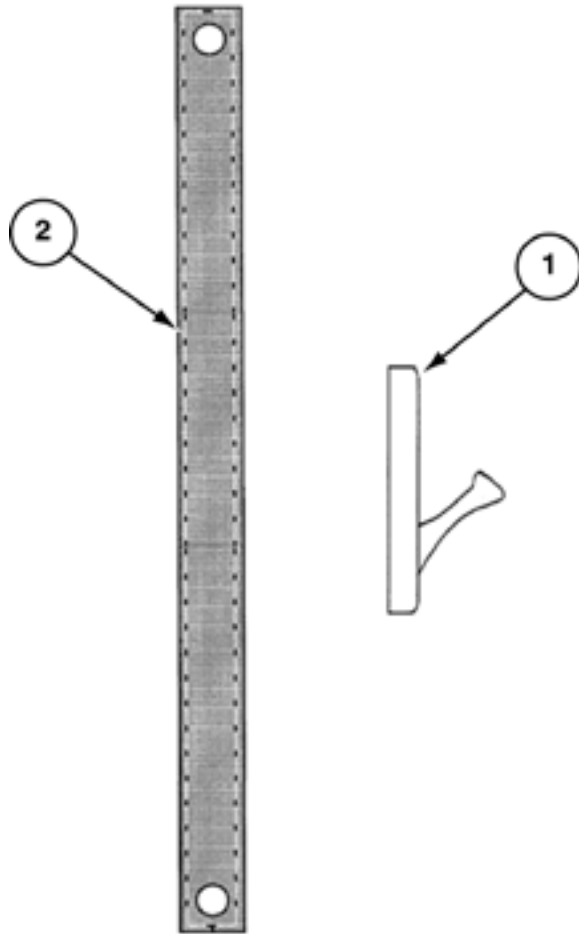
# **SECTION 3:**

# **INTERIOR TRIM**



## interior cab forward - M2 0419324

<i>ITEM</i>	<i>PART NO.</i>	<i>DESCRIPTION</i>	<i>QTY</i>	<i>ITEM</i>	<i>PART NO.</i>	<i>DESCRIPTION</i>	<i>QTY</i>
1	3372017	Post, Left ABS M2	1				
2	3371928	Fuse Panel Cover	1				
3	3372016	Cap, M2 Front End Interior ABS	1				
4	3372018	Post, Entry Door M2 ABS	1				
NS	3943917	Light, Without Switch	1				
NS	8970063	Decal, Exit Emergency Pull Handle	1				

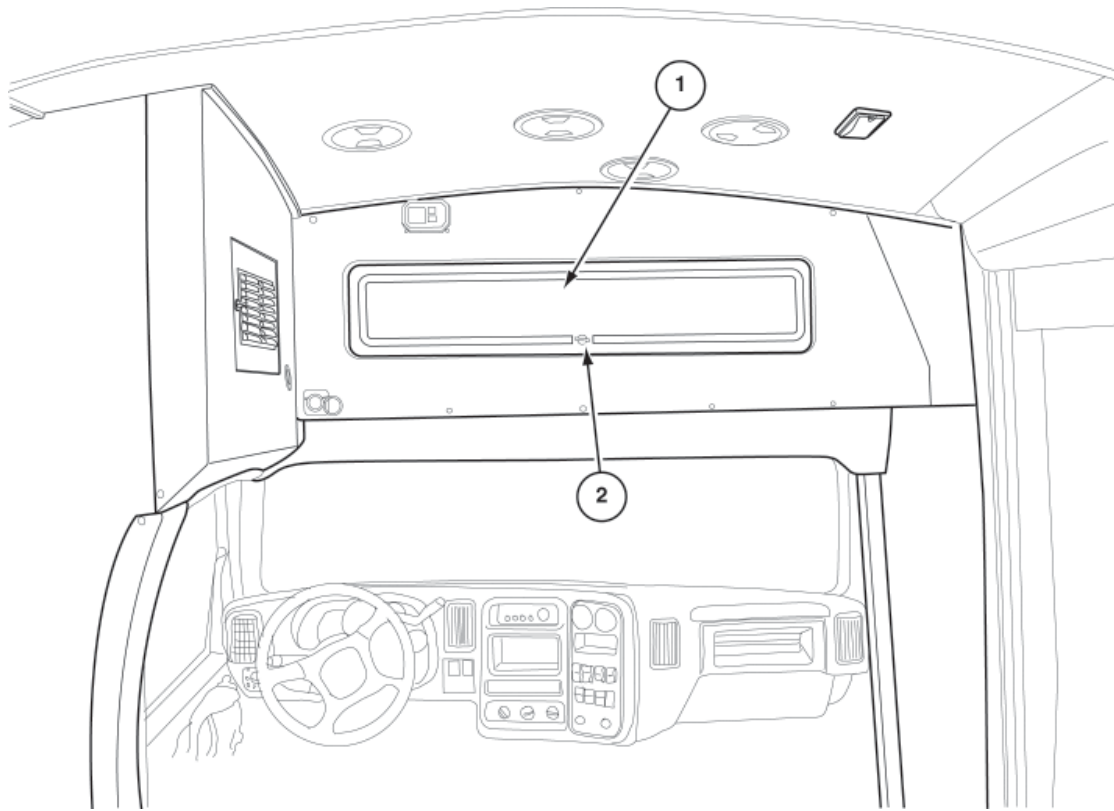


## Install driver's coat hook

**cx-000-900-3163s / cx0000083163**

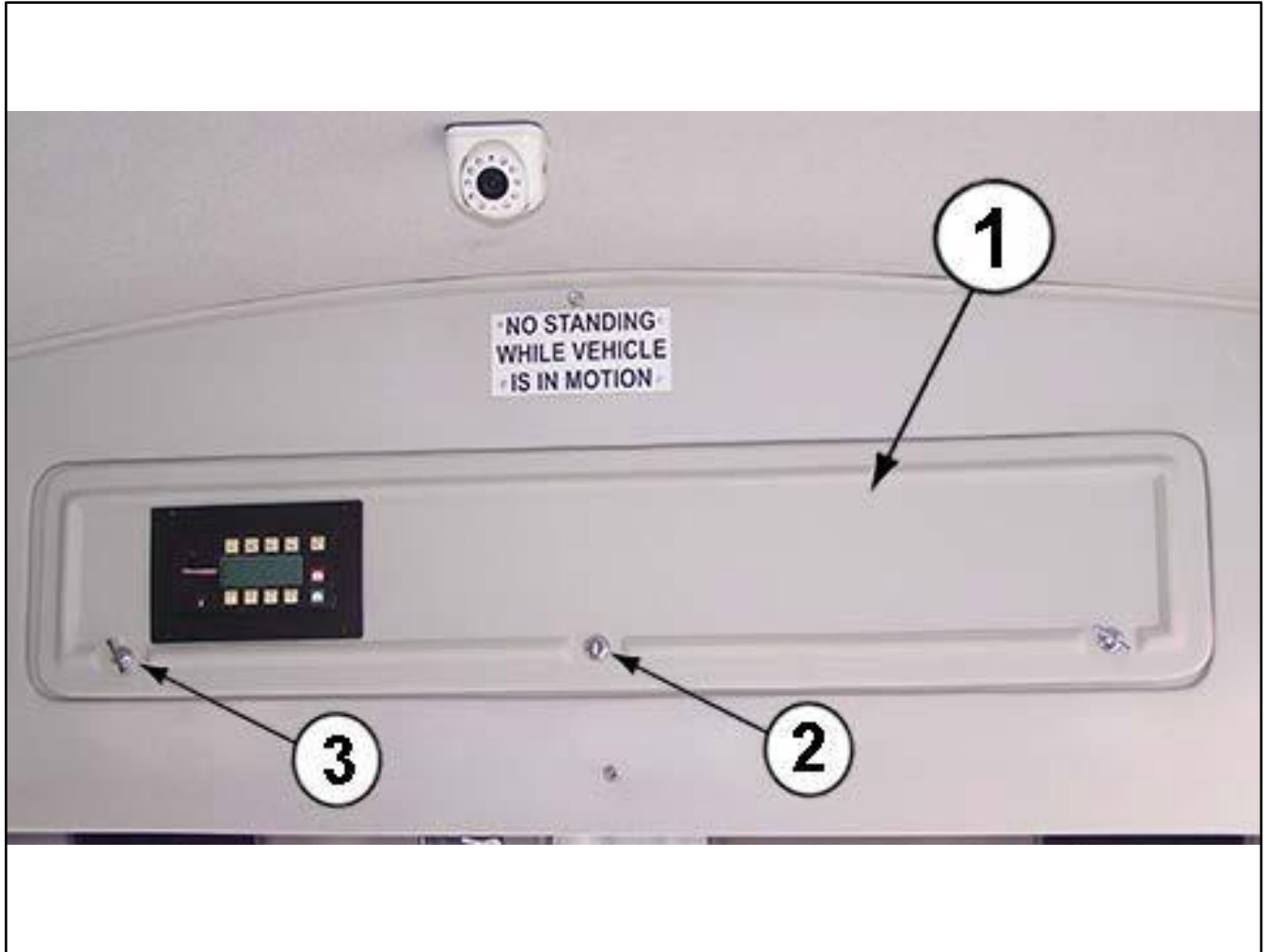
ITEM	PART NO.	DESCRIPTION	QTY	ITEM	PART NO.	DESCRIPTION	QTY
1	4941647	Hook, Garmet	1				
2	7371086	Strap, Hold Back	1				
N/S	8570714	Screw (8x1-1./4) Phil Sems T2 Polar	2s				





**FRONT GLOVE BOX LOCKING**  
**CR-000-900-0703L**

<i>ITEM PART NO. DESCRIPTION</i>	<i>QTY</i>	<i>ITEM PART NO. DESCRIPTION</i>	<i>QTY</i>
1 3370939 DOOR, DESTINATION CHALLENGER	1		
2 5340393 LOCK, KEYED ASSEMBLY	1		



## Glove Box M2 W/60# capacity 0422569

<i>ITEM PART NO. DESCRIPTION</i>	<i>QTY</i>	<i>ITEM PART NO. DESCRIPTION</i>	<i>QTY</i>
1 3370939 ABS, Door Destination Sign	1		
2 5340393 Lock, Keyed Assembly	1		
3 4941520 Lock, Thumb complete W/Cam	2		
NS 4970476 Hinge, Concealed	3		
NS 3370798 Guard, Door Edge 39-201 (150')	AR		
NS 0377115 Hood Prop	1		
NS 0370048 Plywood, 5/8 x 4 x 8 CC-PTS Untreated.3	AR		
NS 3370919 ABS, Sheet .125 x 48 x 78" Gray	AR		
NS 0364836 Steel, Flat 16GA x 3" x 96"	AR		



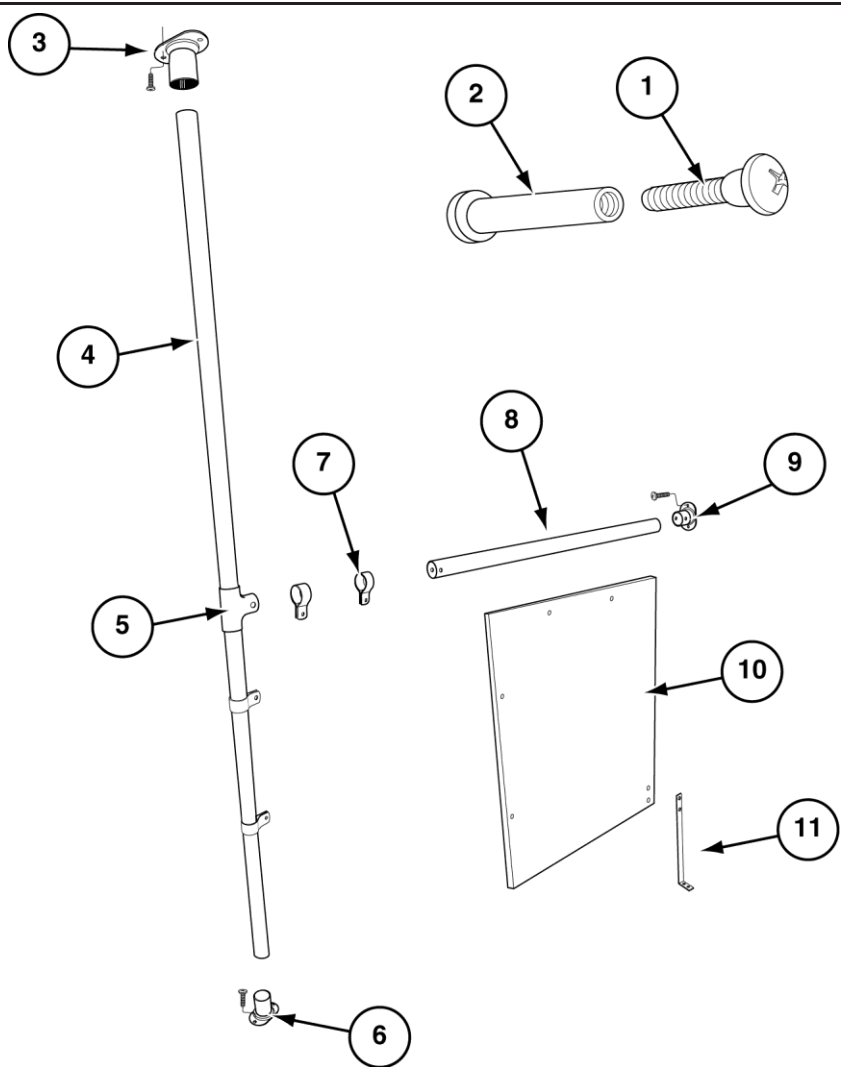
## door control access panel 0415978

<i>ITEM PART NO. DESCRIPTION</i>	<i>QTY</i>	<i>ITEM PART NO. DESCRIPTION</i>	<i>QTY</i>
1 3371927 Panel, Door Header Access Entry	1		
2 4941520 Lock, Thumb Complete	2		
NS 3371427 Cover, 30" Entry Door Header ABX	1		



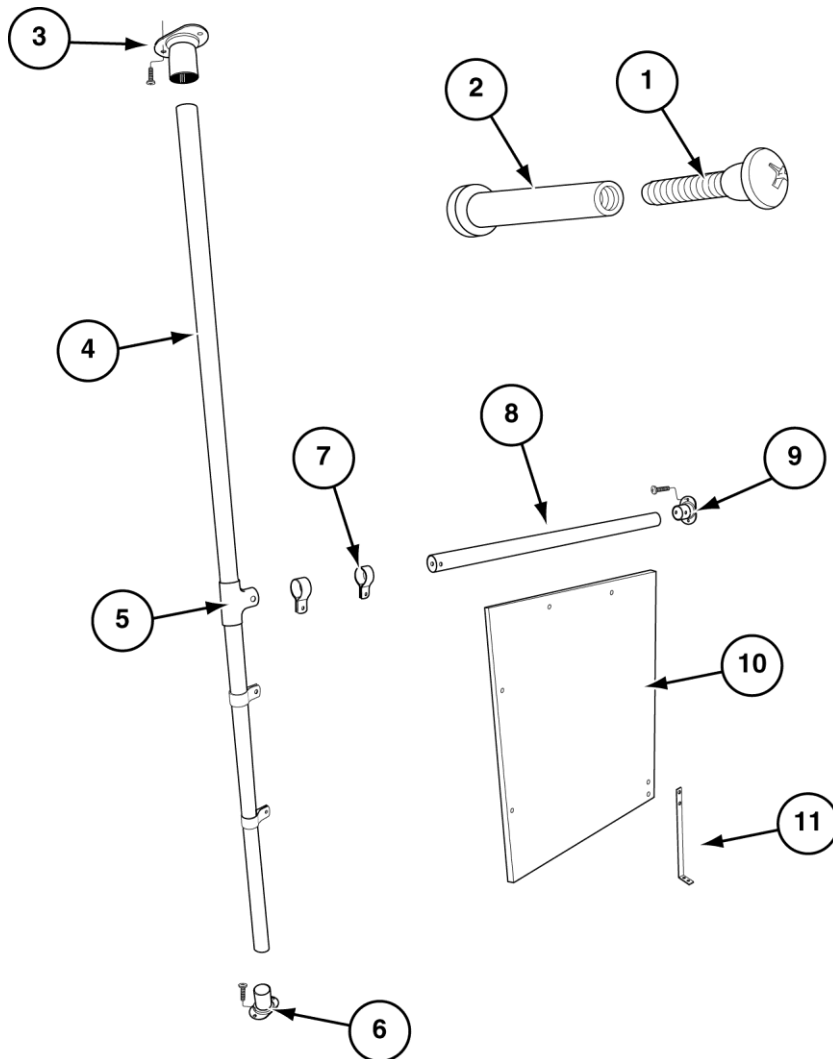
**driver name plate holder**  
**cx-000-900-0067**

<i>ITEM PART NO. DESCRIPTION</i>	<i>QTY</i>	<i>ITEM PART NO. DESCRIPTION</i>	<i>QTY</i>
01 4970571 Holder, Driver Name Plate 2" x 10"	1		



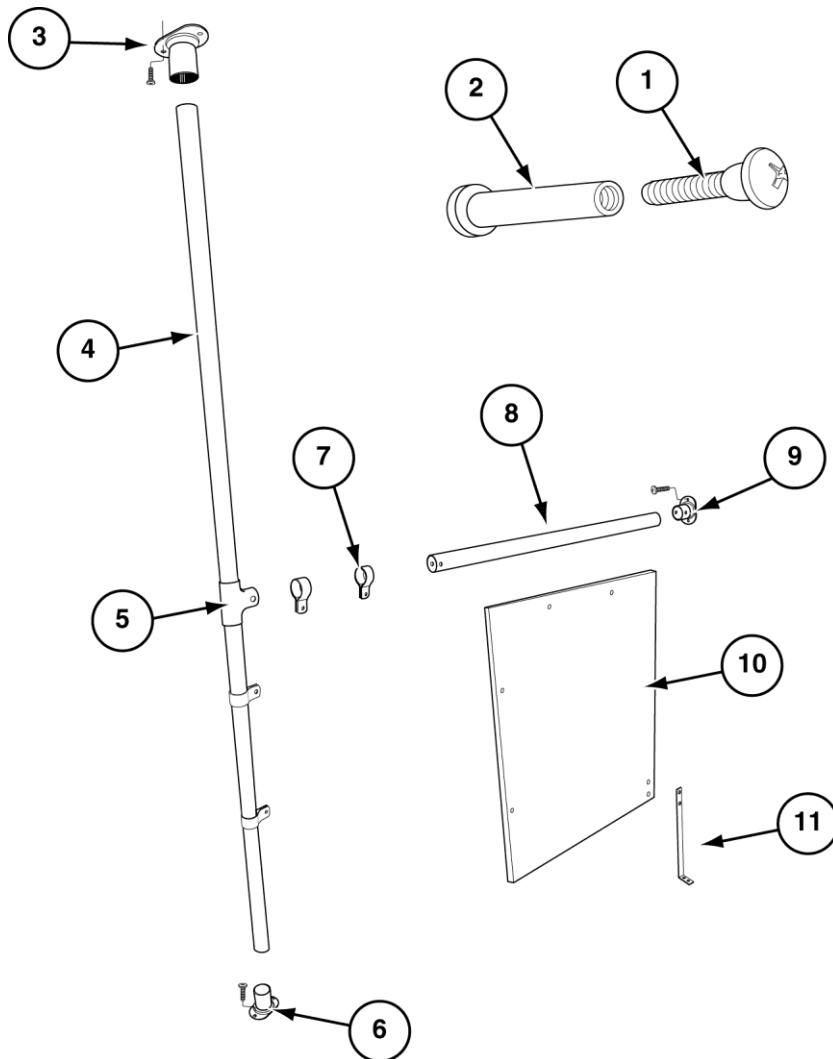
**ENTRY DOOR STANCHION W/ ABS REINFORCEMENT  
0416072**

<i>ITEM</i>	<i>PART NO.</i>	<i>DESCRIPTION</i>	<i>QTY</i>	<i>ITEM</i>	<i>PART NO.</i>	<i>DESCRIPTION</i>	<i>QTY</i>
<b>0416663 STANCHION, ENTRY DOOR W/ABS</b>				<b>0412639 BRACKET, MODESTY PANEL SUPPORT</b>			
N/S	8571085	NUT, HEX 10-32 ACORN LOCK S/S	5	11	4540241	BAR, ALUMINUM .125 X 1" X 10'	AR
1	0377868	BOLT, STANCHION LOCKING 1422 MALE	5				
2	0377869	NUT, STANCHION LOCKING 1423 FEMALE	5				
3	0377112	FITTING, S/S BASE 5 DEGREE W/RUBBER	1				
4	0346494	TUBE, .065 x 1.25 x 236" S/S/180 GRID	1				
5	0346379	FITTING, S/S TEE #50100 ONE HOLE	2				
6	0343695	FITTING, S/S BOTTOM 49011	2				
7	0377051	FITTING, S/S MODESTY PANEL MOUNT	3				
8	0346494	TUBE, .065 X 1.25 X 17' S/S 180GRID	A/R				
9	0376089	FITTING, S/S OVAL BASE FLANGE	1				
10	3371415	PANEL, MODESTY 1/4 x 13 x 24 ABS GRAY	1				
N/S	8570996	SCREW, MACHINE 10-32 x 1/2 PHIL PAN ZINC	5				



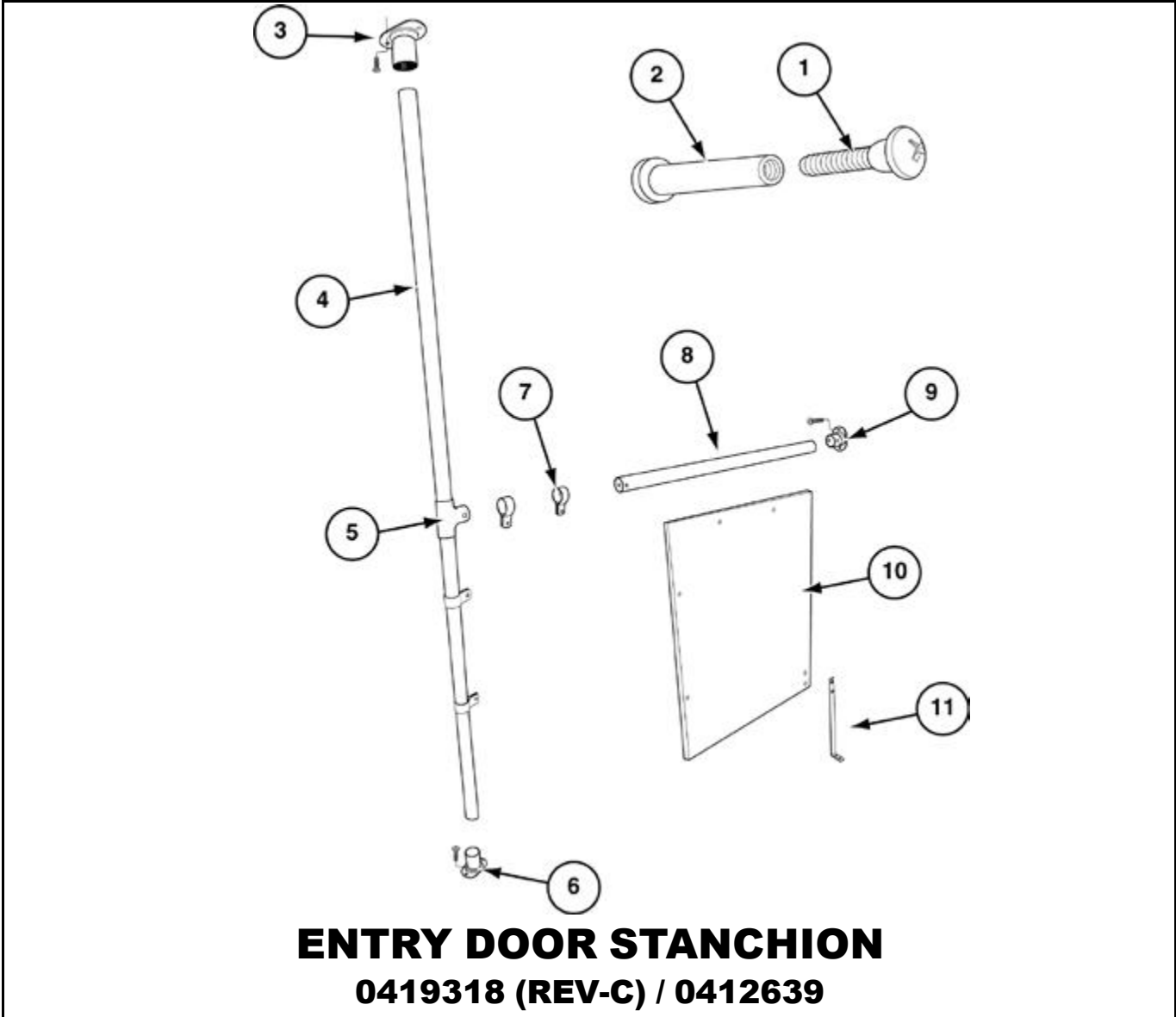
**ENTRY DOOR STANCHION REV-A**  
**0414335**

<i>ITEM</i>	<i>PART NO.</i>	<i>DESCRIPTION</i>	<i>QTY</i>	<i>ITEM</i>	<i>PART NO.</i>	<i>DESCRIPTION</i>	<i>QTY</i>
1	0377868	BOLT, STANCHION 1422 MALE	5	08	0346494	TUBE, 17" S/S 180GRID	A/R
2	0377869	NUT, STANCHION 1423 FEMALE	5	09	0376089	FITTING, S/S OVAL BASE FLANGE	1
03	0377112	FITTING, S/S BASE 5 DEGREE H2016-44300	1	10	3371656	PANEL, MODESTY 1/4 x 14.88 x 30	1
04	0346494	TUBE, .065 x 1.25 x 236" S/S/180 GRID	A/R	11	0412639	BRACKET, MODESTY PANEL SUPPORT	1
05	0346379	FITTING, S/S TEE #50100 ONE HOLE	2	11	4540241	BAR. ALUMINUM .125 x 1" x 10' BR1540M	A/R
06	0343695	FITTING, S/S BOTTOM 49011	2	N/S	0376030	FITTING, S/S ELBOW W/BASE	1
07	0377051	FITTING, S/S MODESTY PANEL MOUNT	3	N/S	8570996	SCREW, MACHINE 10-32 x 1/2 PHIL PAN ZINC	5
				N/S	8571085	NUT, HEX 10-32 ACORN LOCK S/S	5



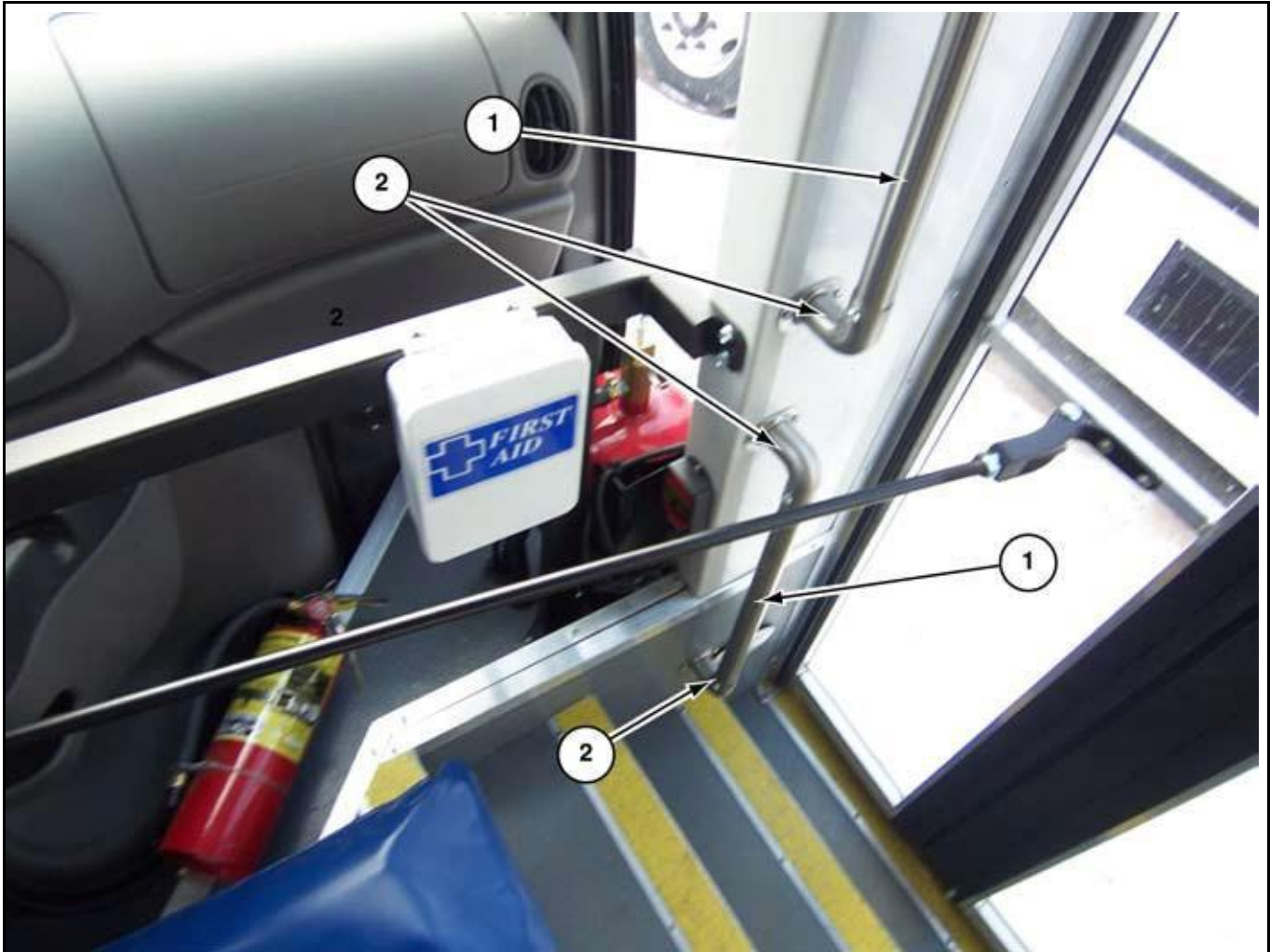
**ENTRY DOOR STANCHION REV-C**  
**0409483 / 0402664**

<i>ITEMPART NO.</i>	<i>DESCRIPTION</i>	<i>ITEMPART NO.</i>	<i>DESCRIPTION</i>
1	0377868 Bolt, Stanchion 1422 MALE	5	08 0346494 Tube, 17' S/S 180GRID A/R
2	0377869 Nut, Stanchion 1423 FEMALE	5	9 0376089 Fitting, S/S Oval Base Flange 1
3	0377112 Fitting, S/S Base 5 Degree	1	10 0402664 Panel, Modesty 24 x 24.5 Padded Vinyl 1
04	0346494 Tube, .065 x 1.25 x 236" S/S/180 GRID A/R	11	0379205 Bracket, Modesty Panel Support, Floor 1
05	0346379 Fitting, S/S TEE #50100 One Hole	2	N/S 0376030 Fitting, S/S Elbow W/Base 1
06	0343695 Fitting, S/S Bottom 49011	2	N/S 8570996 Screw, Machine 10-32 x 1/2 Phil Pan Zinc 5
07	0377051 Fitting, S/S Modesty Panel Mount	3	N/S 8571085 Nut, Hex 10-32 Acorn Lock S/S 5



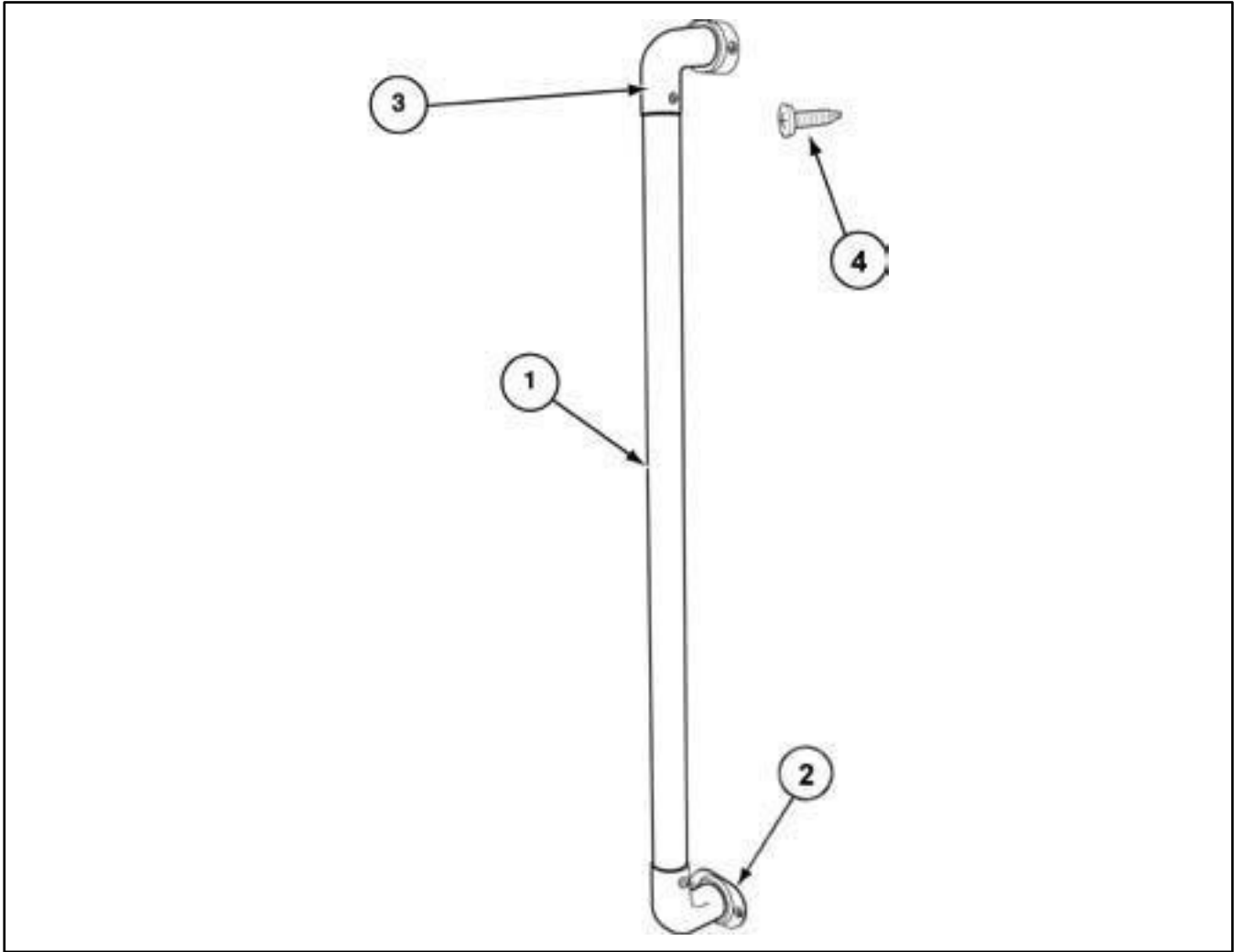
ITEM	PART NO.	DESCRIPTION	QTY	ITEM	PART NO.	DESCRIPTION	QTY
1	0377868	Bolt, Stanchion 1422 MALE	5	9	0376030	Fitting, S/S Elbow W/Base	1
2	0377869	Nut, Stanchion 1423 FEMALE	5	10	3371416	Panel, Modesty 1/4 x 19 x 24 ABS Gray	1
3	0377112	Fitting, S/S Base 5 Degree W/Rubber	1	11	0379205	Bracket, Modesty Panel Support, Floor	1
04	0346494	Tube, .065 x 1.25 x 236" S/S/180 GRID	A/R	N/S	8570996	Screw, Machine 10-32 x 1/2 Phil Pan Zinc	5
05	0346379	Fitting, S/S TEE #50100 One Hole	2	N/S	8571085	Nut, Hex 10-32 Acorn Lock S/S	5
06	0343695	Fitting, S/S Bottom 49011	2		<b>0412639</b>	<b>Bracket, Modesty Panel Support 2002</b>	<b>1</b>
07	0377051	Fitting, S/S Modesty Panel Mount	3	N/S	4540241	Bar, Aluminum .125 x 1" x 10'	.4
08	0346494	Tube, 17' S/S 180GRID	A/R				





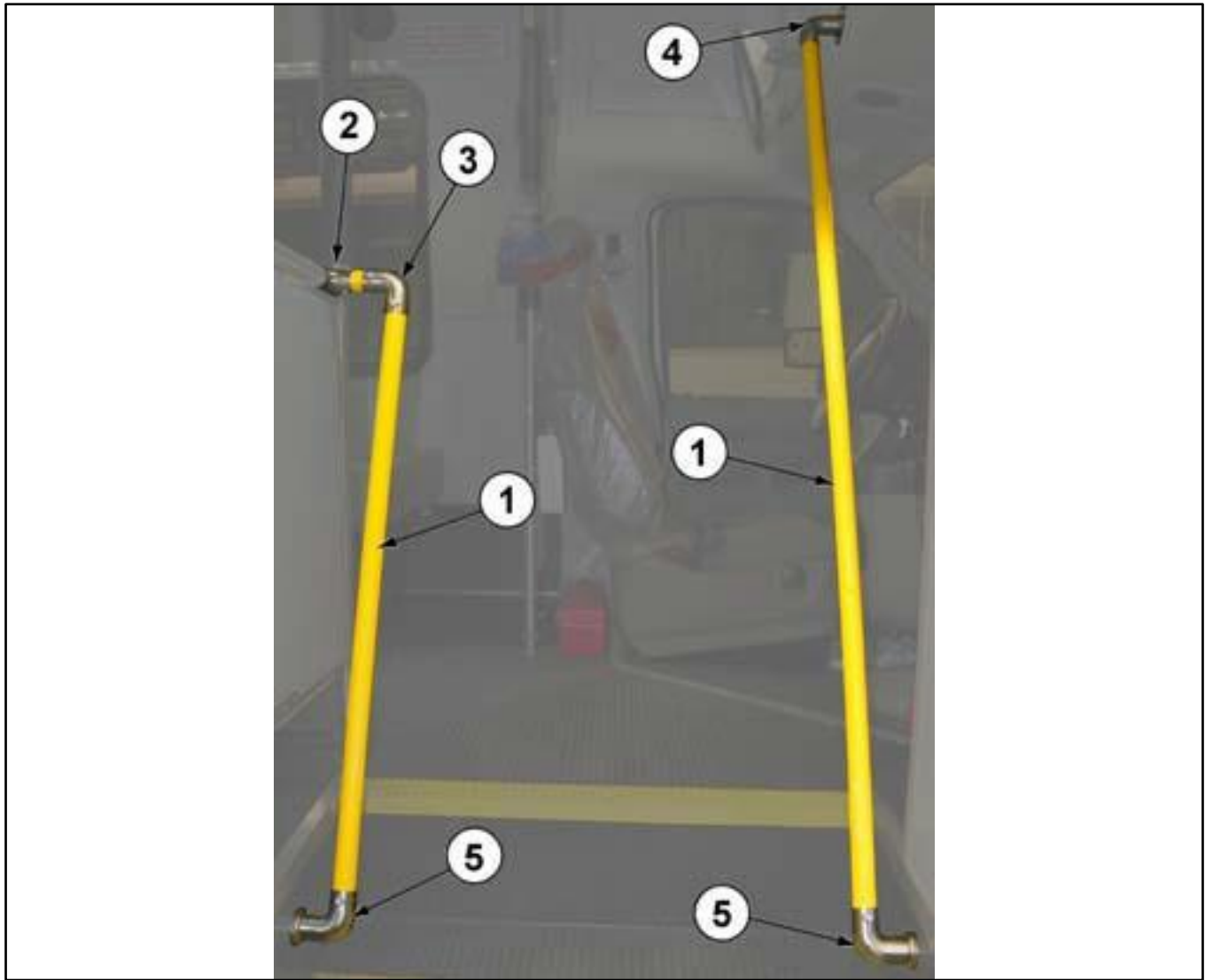
## RIGHT HAND GRAB RAIL 0402453A

<i>ITEM PART NO. DESCRIPTION</i>	<i>QTY</i>	<i>ITEM PART NO. DESCRIPTION</i>	<i>QTY</i>
01 0346494 TUBE (.065 x 1.25 x 17')	A/R		
02 0376089 FITTING, S/S OVAL BASE FLANGE	3		
N/S 0343695 FITTING, S/S BOTTOM 49011	1		
N/S 0646379 FITTING, S/S TEE #50100 ONE HOLE	2		
N/S 8570943 SCREW (8 x 3/4) PANQUAD	8		
N/S 0377869 NUT, STANCHION	6		
N/S 0377868 BOLT, STANCHION	6		



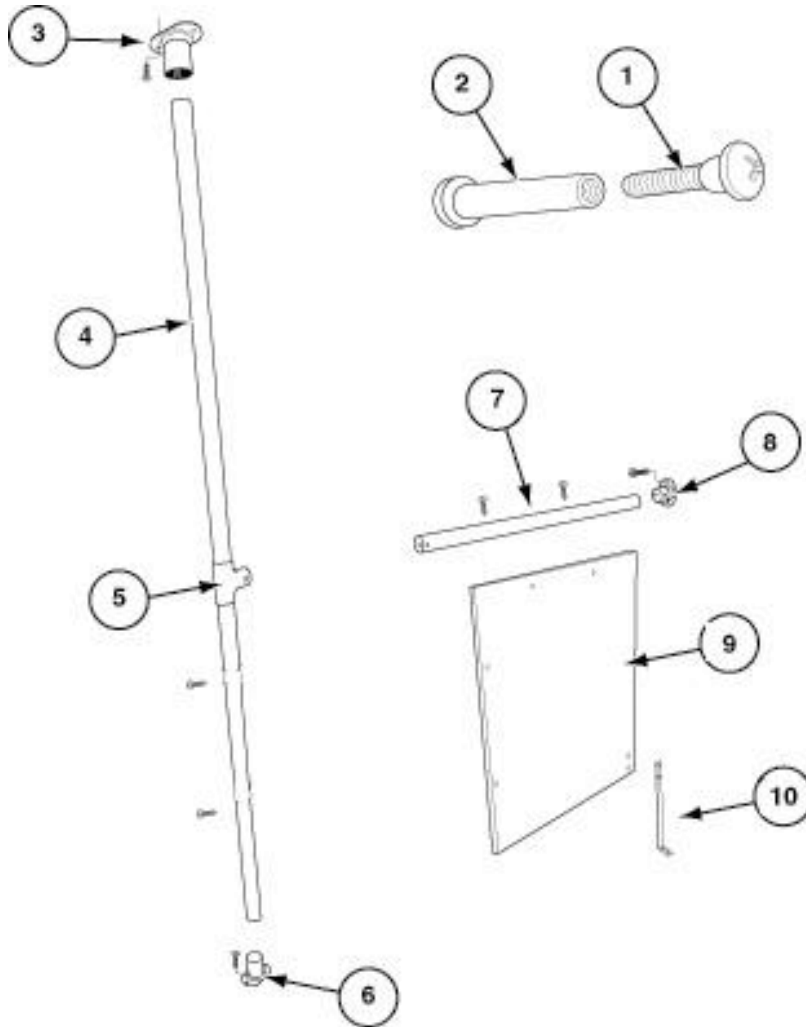
**R/h GRAB RAIL AIR / ELECTRIC DOOR**  
**Df-000-900-1825A**

<i>ITEM</i>	<i>PART NO.</i>	<i>DESCRIPTION</i>	<i>QTY</i>	<i>ITEM</i>	<i>PART NO.</i>	<i>DESCRIPTION</i>	<i>QTY</i>
01	0346494	TUBE, .065 x 1.25 x 17' S/S CLAD	A/R				
2	0376089	FITTING, S/S OVAL BASE FLANGE	2				
3	0376030	FITTING, S/S ELBOW W/BASE	2				
4	8570943	SCREW, 8 x 3/4 PAN QUAD T2 EMPG CLR	4				



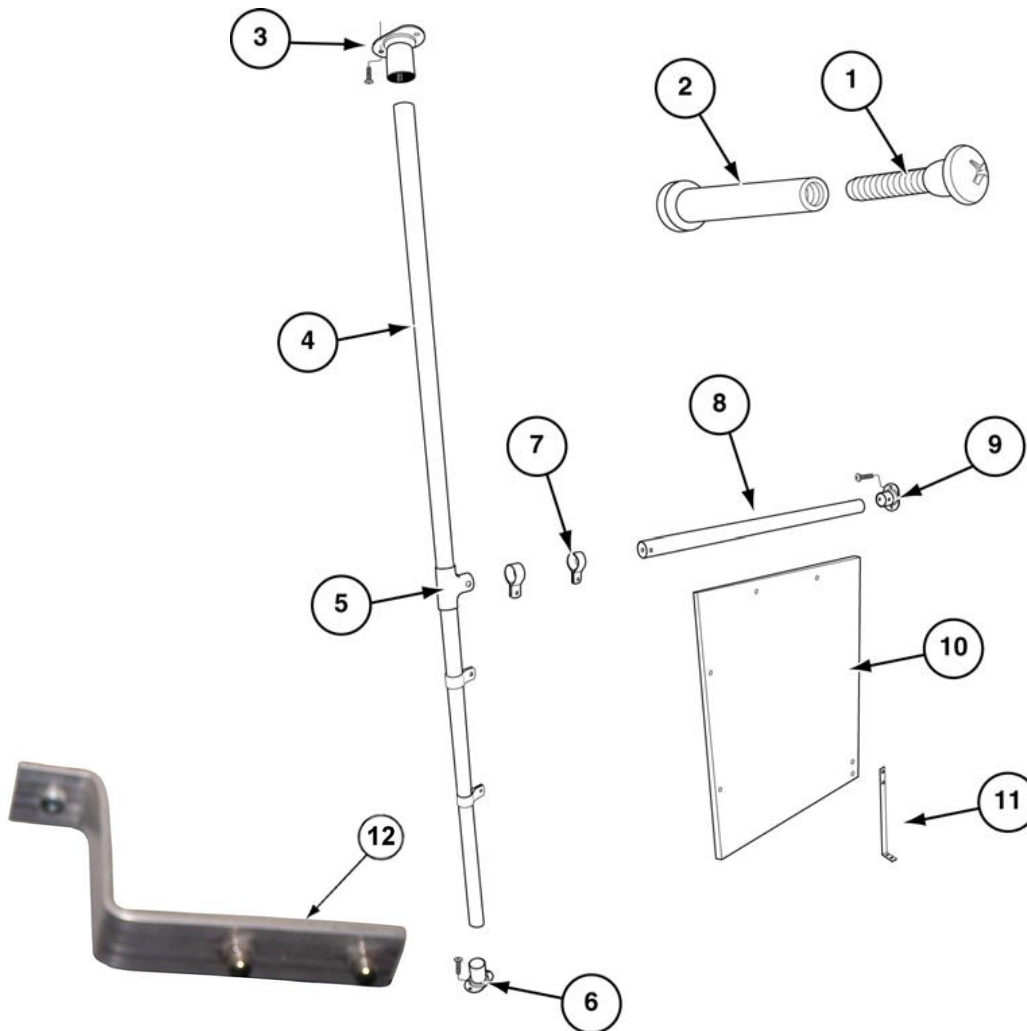
**entrance grab rails yellow dimpled  
0402453a-pdot**

<i>ITEM</i>	<i>PART NO.</i>	<i>DESCRIPTION</i>	<i>QTY</i>	<i>ITEM</i>	<i>PART NO.</i>	<i>DESCRIPTION</i>	<i>QTY</i>
1	0377752	Tube, Stanchion 2¼" Dimpled Yellow	AR				
2	0346379	Fitting, S/S Tee One Hole	1				
3	0347260	Fitting, S/S Elbow	1				
4	0376089	Fitting, S/S Oval Base Flange	1				
5	0376030	Fitting, S/S Elbow W/Base	3				



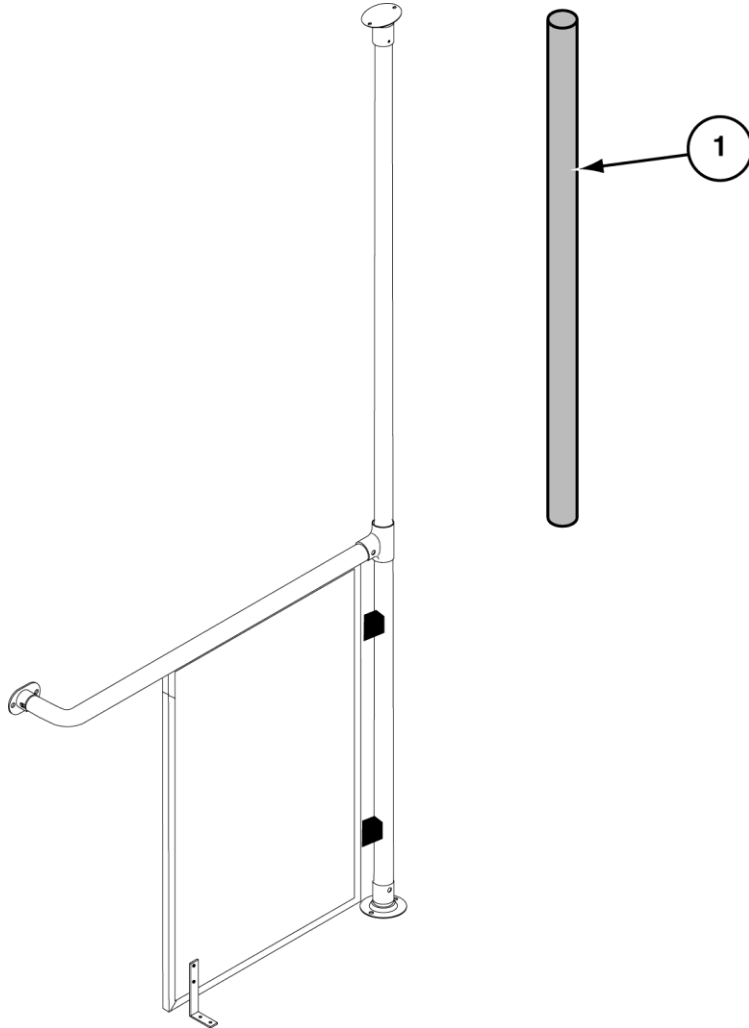
## Stanchion, extra w/ modeSty panel CX0000072947

<i>ITEM PART NO. DESCRIPTION</i>	<i>QTY</i>	<i>ITEM PART NO. DESCRIPTION</i>	<i>QTY</i>
1 0377868 Bolt, Stanchion Locking 2422 Male	5		
2 0377869 Nut, Stachion Locking 2423 Female	5		
3 0377112 Fitting, S/S Base 5 Degree	1		
04 0346494 Tube, .065 x 1.25	A/R		
05 0346379 Fitting, S/S Tee #50100	2		
06 0343695 Fitting, S/S Bottom	2		
07 0346494 Tube, .065 x 1.25	A/R		
8 0376089 Fitting, S/S Oval Base Flange	1		
9 0402664 Panel, Modesty 24 x 24.25 Padded	1		
10 0377098 Bracket, Modesty Panel Support	1		
NS 4540241 Bracket, Modesty Panel Supp Flr	1		



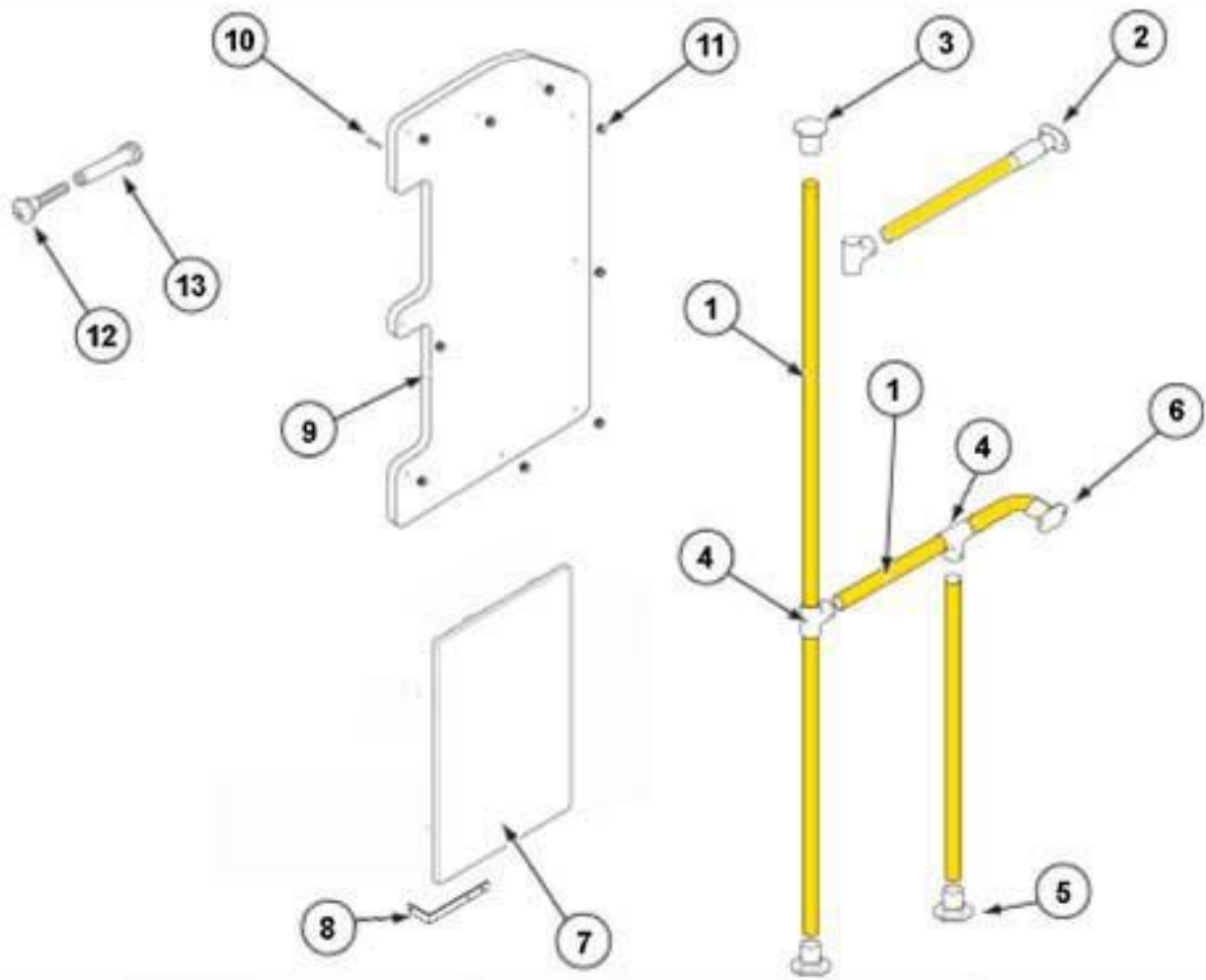
## Lift Stanchion extra w/modesty panel 0418892

ITEM PART NO. DESCRIPTION	QTY	ITEM PART NO. DESCRIPTION	QTY
1 0377868 Bolt, Stanchion 2422 Male	3	11 N/A	
2 0377869 Nut, Stanchion 2423 Female	3	12 0379205 Bracket, Aluminum Modesty Panel	1
3 0377112 Fitting, S/S Base 5°	1		
04 0346494 Tube, S/S 18GA (1¼ x 236")	AR		
05 0346379 Fitting, S/S Tee #50100 One Hole	1		
06 0343695 Fitting, S/S bottom, #49011	1		
07 0377051 Fitting, S/S Modesty Panel Mount	4		
08 0346494 Tube, S/S (1¼ x 20)	AR		
9 0376089 Fitting, S/S Oval Base Flange	1		
10 7371128 Vinyl, Harbor Moonlite 54" x 30 YD	AR		
0970003 Plywood, 3/8 x 48 x 96 BW CP 4-Ply	AR		
0970014 Lauan, Raw 3.6MM x 48 x 96	AR		
6170106 Pad, Foam 3/16" x 54" x 50LY	AR		
0343152 Channel, 5/8 x 96.0 Aluminum Mill Fin 1.5	AR		



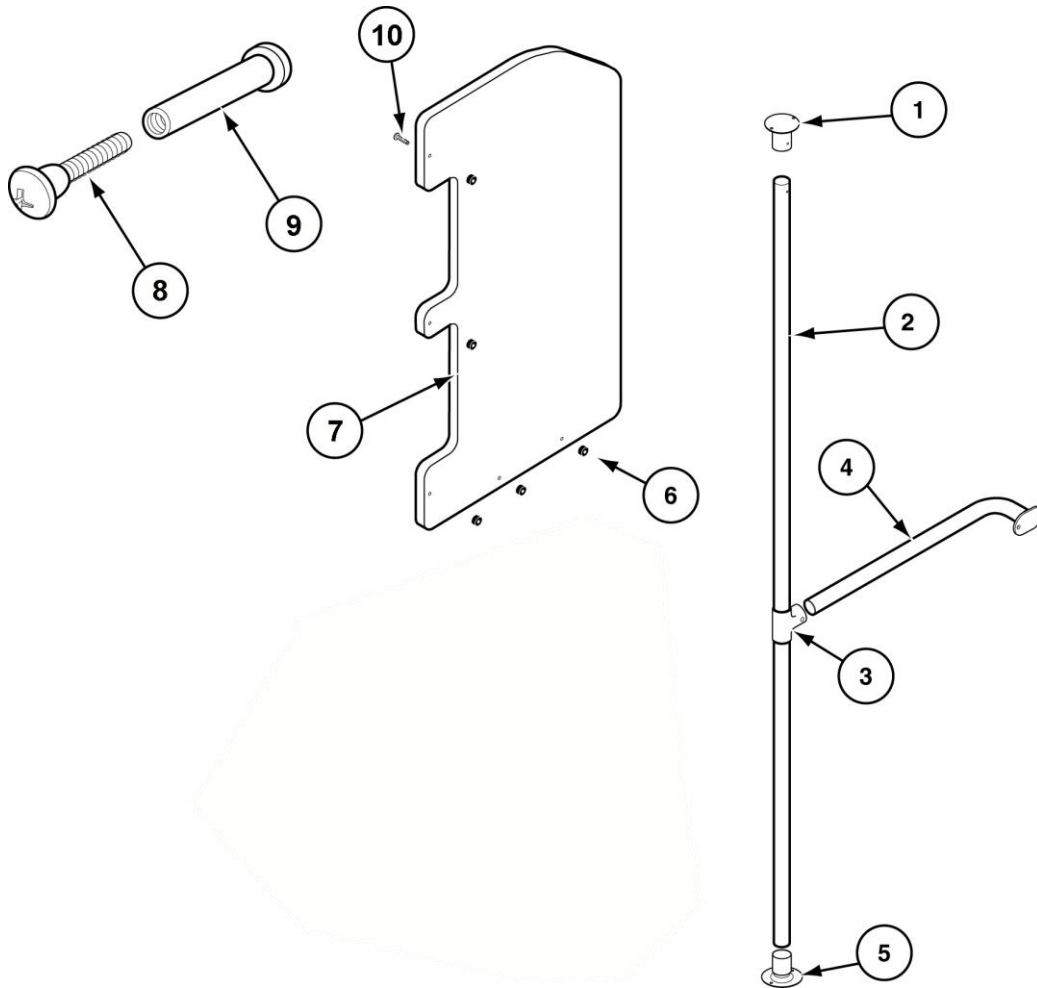
**STANCHION PADDING - DELUXE (BLACK)**  
**CX0000071913 / CX-000-900-1913B**

<i>ITEM PART NO. DESCRIPTION</i>	<i>QTY</i>	<i>ITEM PART NO. DESCRIPTION</i>	<i>QTY</i>
01 6170246 Pad, Stanchion Black 36"	3		



**driver barrier STANCHION - yellow dimpled  
0413931 (rev-a)**

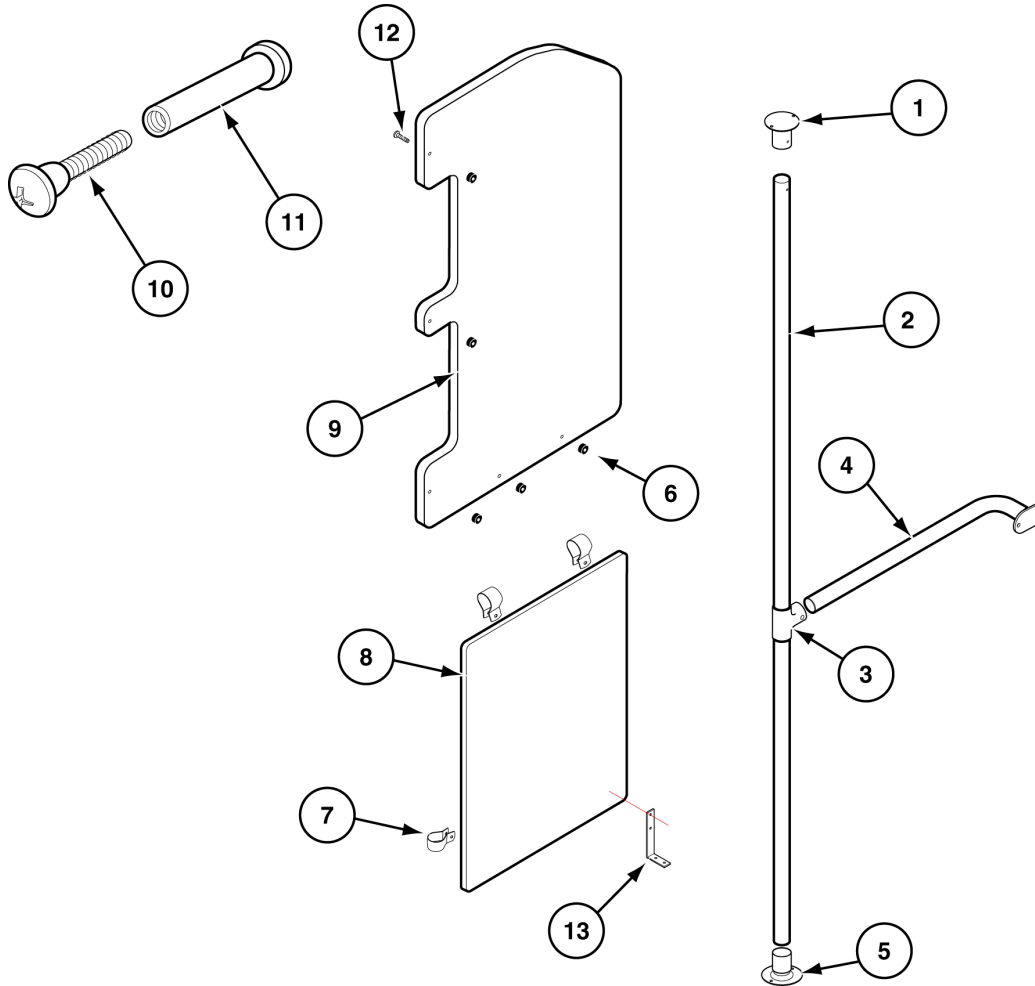
ITEM	PART NO.	DESCRIPTION	QTY	ITEM	PART NO.	DESCRIPTION	QTY
<b>0413931 STANCHION, ENTRY DOOR - YELLOW</b>				10	N/A	SCREW, MACHINE 10-32 x 1/2 PHIL PAN ZINC	5
01	0377752	TUBE, STANCHION 1-1/4" DIMPLED YELLOW	AR	11	N/A		
06	0376089	FITTING, S/S OVAL BASE FLANGE	1	12	0377868	BOLT, STANCHION LOCKING 2422 MALE	4
2	0377112	FITTING, S/S BASE 5 DEGREE	1	13	0377869	NUT, STANCHION LOCKING 2423 FEMALE	4
3	0377112	FITTING, S/S BASE 5 DEGREE	1	NS	0378648	MOUNT, STANCHION UPPER	1
4	0346379	FITTING, S/S TEE #50100 ONE HOLE	1	NS	0379671	FITTING, CUSTOM HARDWARE FEMARE W OV	1
05	0343695	FITTING, S/S BOTTOM 49011	1	NS	0379688	BRACKET, ALUM MIDESTY PANEL DRIVER'S	1
6	0376089	FITTING, S/S OVAL BASE FLANGE	1	NS	0379244	BRACKET, DRIVER'S STANCHION GEN2	1
7	3371416	PANEL, MODESTY 1/4" x 19" x 24" ABS GRAY	1				
NS	0377051	FITTING, S/S MODESTY PANEL MOUNT	3				
8	0377098	BRACKET, MODESTY PANEL SUPPORT FLOOR	1				



## INSTALL DRIVER'S BARRIER & STANCHION PD0000073040 (REV-B)

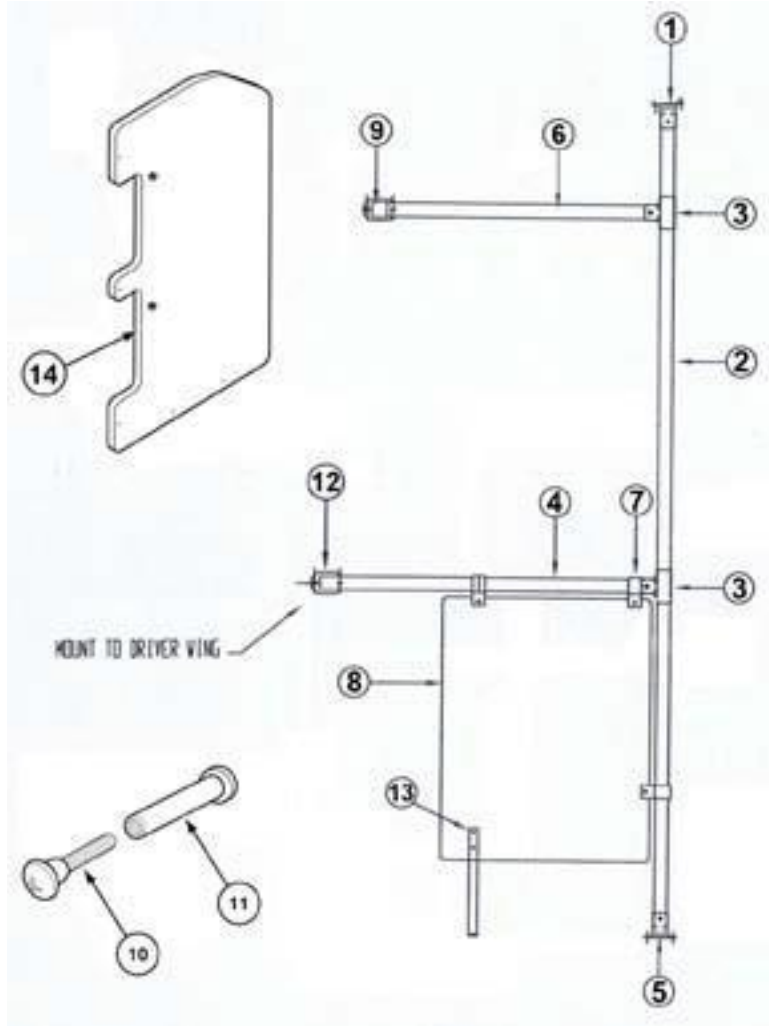
ITEM	PART NO.	DESCRIPTION	QTY	ITEM	PART NO.	DESCRIPTION	QTY
01	0377112	FITTING, S/S BASE 5°	2	8	0377869	NUT, STANCHION 2423 FEMALE	4
02	0346494	TUBE (.065 x 1.25 x 236" S/S) 180 GRID	A/R	9	0377868	BOLT, STANCHION 2422 MALE	4
03	0346379	FITTING, TEE S/S #50100	2	10	0378648	MOUNT, STANCHION UPPER	1
04	0346494	TUBE (.065 x 1.25 x 17' S/S) 180 GRID	A/R	N/S	8570996	SCREW, MACHINE (10-32 ACORN LOCK) S/S	5
05	0343695	FITTING, BOTTOM S/S #49011	2	N/S	8571085	NUT, HEX (10-32 ACORN LOCK)	5
6	0377051	FITTING, MODESTY PANEL MOUNT S/S	4	N/S	4970425	BUMPER, RUBBER DOOR	9
NS	0376030	FITTING, S/S ELBOW W/BASE	2	N/S	8570706	SCREW, 10 X 1½ PAN QUAD ZINC	9
<b>0408674 DRIVER'S BARRIER W/HAND CUT OUT 3/8</b>				<b>OPTIONAL:</b>			
7	5970876	PANEL, ACRYLIC (3/8 x 48 x 96) GRAY PANEL 20	A/R	NS	3180011	PAINT, POWDER COAT STANCHION - YELLOW 17'	2





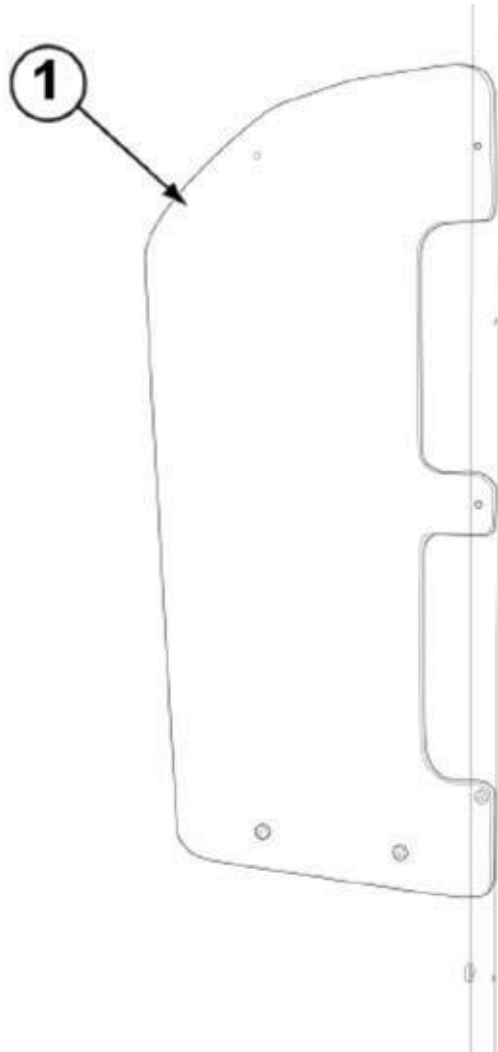
## INSTALL DRIVER'S BARRIER & STANCHION CH000070005 (REV-B)

ITEM	PART NO.	DESCRIPTION	QTY	ITEM	PART NO.	DESCRIPTION	QTY
01	0377112	FITTING, BASE W/RUBBER 5° S/S	1	10	0377869	NUT, STANCHION 2423 FEMALE	2
02	0346494	TUBE (.065 x 1.25 x 236" S/S) 180 GRID	A/R	11	0377868	BOLT, STANCHION 2422 MALE	2
03	0346379	FITTING, TEE S/S #50100	1	13	0412639	BRACKET, MODESTY PANEL SUPPORT 2002	1
04	0346494	TUBE (.065 x 1.25 x 17' S/S) 180 GRID	A/R		4540241	BAR, ALUMINUM .125 x 1" x 10'	0.4
05	0343695	FITTING, BOTTOM S/S #49011	1	14	0376089	FITTING, OVAL BASE FLANGE S/S	1
7	0377051	FITTING, MODESTY PANEL MOUNT S/S	3	N/S	8570996	SCREW, MACHINE (10-32 ACORN LOCK) S/S	5
8	3371416	PANEL, MODESTY (1/4 x 19 x 24 ABS) GRAY	1	N/S	8571085	NUT, HEX (10-32 ACORN LOCK)	5
				N/S	4970425	BUMPER, RUBBER DOOR	9
				N/S	8570706	SCREW, 10 X 1½ PAN QUAD ZINC	9
<b>0408674</b>		<b>DRIVER'S BARRIER W/HAND CUT OUT 3/8</b>		N/S	0378648	MOUNT, STANCHION UPPER	1
9	5970876	PANEL, ACRYLIC (3/8 x 48 x 96) GRAY PANEL 20	A/R	N/S	0376030	FITTING, S/S ELBOW W/BASE	2



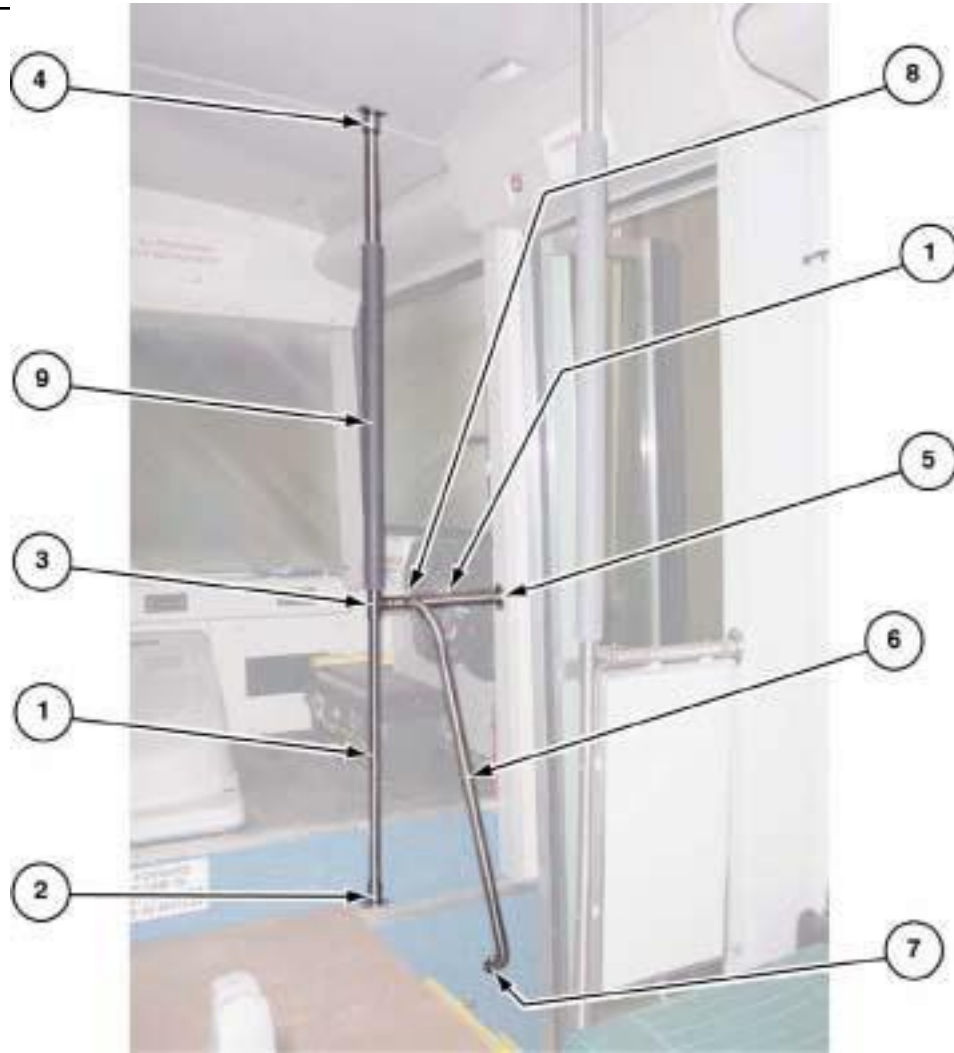
## INSTALL DRIVER'S BARRIER & STANCHION 0409498 REV-B / CH000073040 - 0408674

ITEM	PART NO.	DESCRIPTION	QTY	ITEM	PART NO.	DESCRIPTION	QTY
01	0377112	FITTING, BASE W/RUBBER 5° S/S	1	N/S	8570996	SCREW, MACHINE (10-32 ACORN LOCK) S/S	5
02	0346494	TUBE (.065 x 1.25 x 236" S/S) 180 GRID	A/R	N/S	8571085	NUT, HEX (10-32 ACORN LOCK)	5
03	0346379	FITTING, TEE S/S #50100	1	N/S	4970425	BUMPER, RUBBER DOOR	9
04	0346494	TUBE (.065 x 1.25 x 17' S/S) 180 GRID	A/R	N/S	8570706	SCREW, 10 X 1½ PAN QUAD ZINC	9
05	0343695	FITTING, BOTTOM S/S #49011	1	N/S	0378648	MOUNT, STANCHION UPPER	9
06	0346494	TUBE, 18GA X 1¼ X 26 S/S 180 GRID	1	N/S	0379144	BRACKET, DRIVER'S STANCHION GEN-2	1
7	0377051	FITTING, MODESTY PANEL MOUNT S/S	3	N/S	0379671	FITTING, CUSTOM HARDWARE FEMALE W/OV	1
8	3371417	PANEL, MODESTY (1/4 x 25 x 24 ABS) GRAY	1	N/S	0379244	BRACKET, DRIVER'S STANCHION GEN-2	1
9	0376030	FITTING, S/S ELBOW W/BASE	2	<b>0408674 DRIVER'S BARRIER W/HAND CUT OUT 3/8</b>			
10	0377869	NUT, STANCHION 2423 FEMALE	4	14	5970876	PANEL, ACRYLIC (3/8 x 48 x 96) GRAY PANEL 20	1
11	0377868	BOLT, STANCHION 2422 MALE	4				
12	0376089	FITTING, S/S OVAL BASE	1				
13	0377098	BRACKET, MODESTY PANEL SUPPORT	1				



**driver's barrier w/ hand cut out  
cx0000070038**

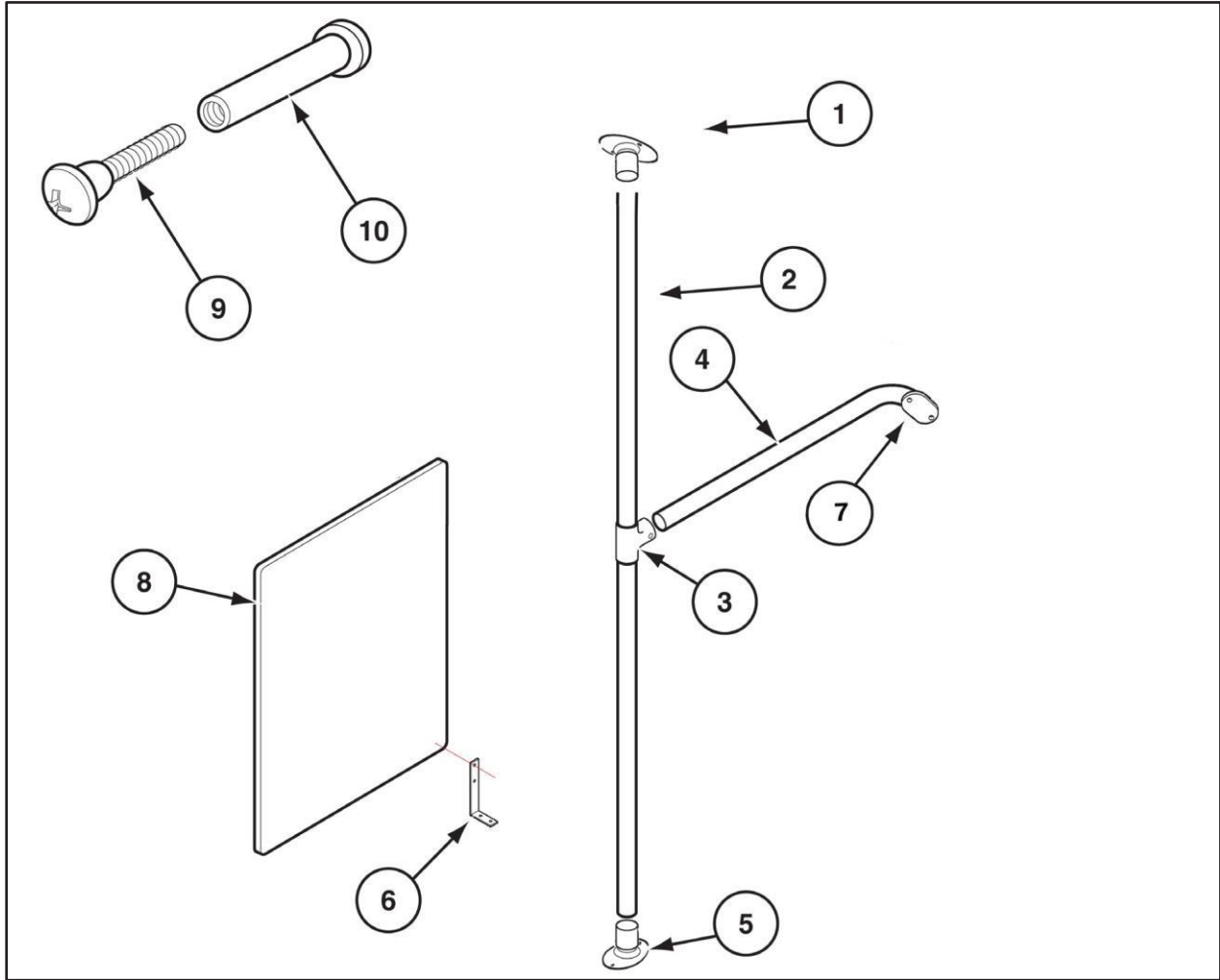
ITEM	PART NO.	DESCRIPTION	QTY	ITEM	PART NO.	DESCRIPTION	QTY
01	5970876	Acrylic, 3/8 x 48 x 96 Gray Panel 20	.30				



## extra stanchion

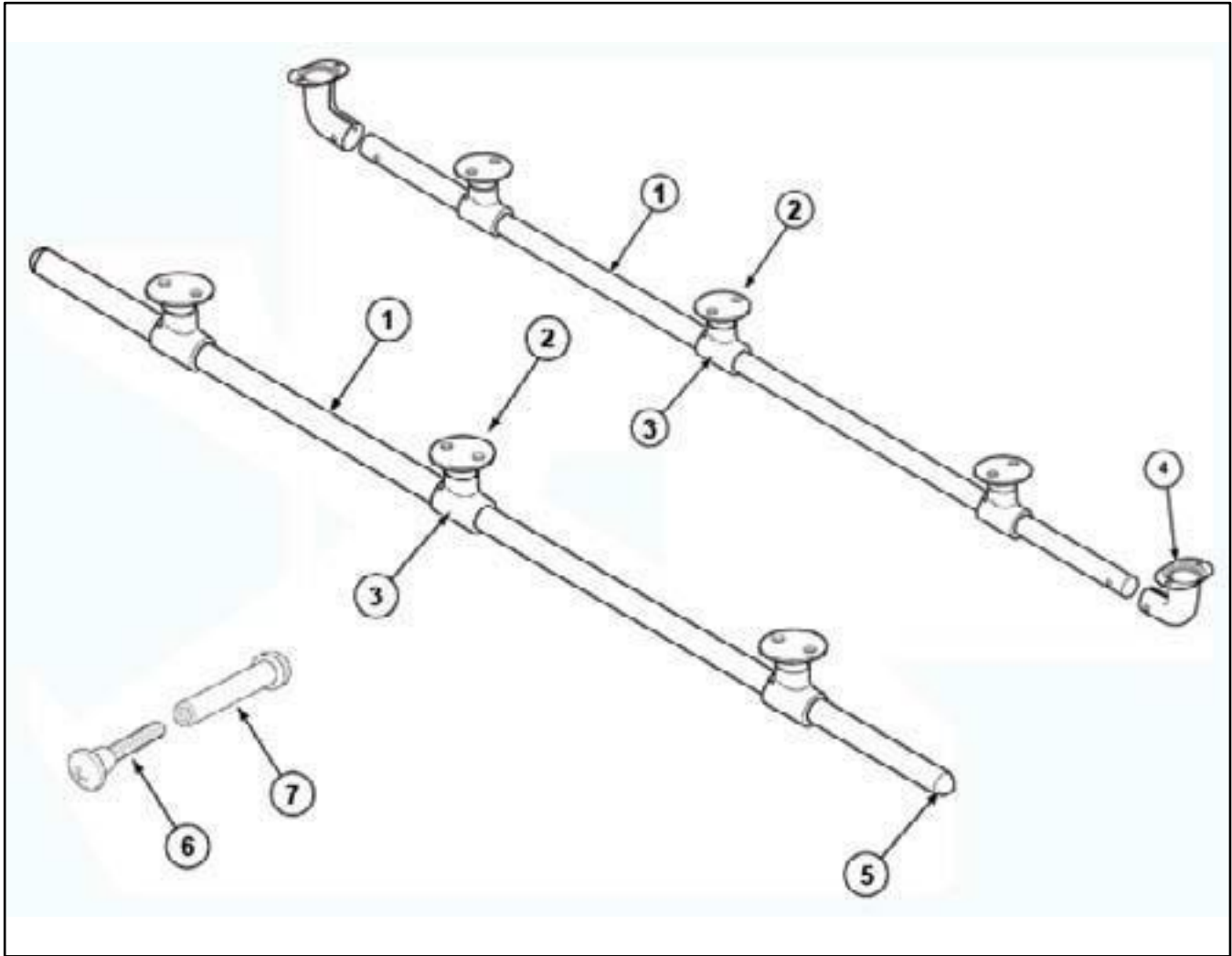
cx0000071932 / 0403612 / CH-000-900-1932

ITEMPART NO.	DESCRIPTION	REF	ITEMPART NO.	DESCRIPTION	REF
00	0403612 INSTALL EXTRA STANCHION	REF	<u>0406087</u>	<u>INSTALL, GRAB RAIL HORIZONTAL MOUNT</u>	<u>1</u>
01	0346486 TUBE (.065 x 1.25 x 74' S/S)	1	08	0346379 FITTING, S/S TEE #50100	4
02	0343695 FITTING, S/S BOTTOM	1	06	0346494 TUBE, .065 x 1.25 x 17' S/S	A/R
03	0346379 FITTING, S/S TEE #50100	1	N/S	8570706 SCREW, 10 x 1-1/2 PAN QUAD	4
4	0377112 FITTING, S/S BASE 5° W/RUBBER	1	<u>CX-000-900-1913 STANCHION PADDING - DELUXE (GRAY)</u>		
5	0376089 FITTING, S/S OVAL BASE FLANGE	1	<u>4</u>		
N/S	8570779 SCREW (10 x 1 PAN HEAD S/S)	2			
N/S	8570706 SCREW (10 x 1-1/2 PAN QUAD ZINC)	4			
N/S	0346460 NUT, STANCHION 1423 FEMALE	2			
N/S	0346478 BOLT, STANCHION 1422 MALE	2			



**MODESTY PANEL D/S 24X24<sup>1</sup>/<sub>4</sub> PADDED VINYL**  
**0416336 / 0402664**

<i>ITEM PART NO. DESCRIPTION</i>	<i>QTY</i>	<i>ITEM PART NO. DESCRIPTION</i>	<i>QTY</i>
<b>0416336 Stanchion, Driver's</b>		<b>0402664 Panel, Modesty 24 x 24.25</b>	
01 0343695 Fitting, S/S Bottom #49011	1	08 7371128 Vinyl, Harbor Moonbeam	1
02 0346494 Tube, .065 x 1.25 x 17' 180Grid	A/R	NS 0343152 Channel, 5/8 x 96.0 Aluminum Mill	1
03 0346379 Fitting, S/S Tee #50100	1	NS 4970425 Bumper, Rubber Door	1
04 0346494 Tube, .065 x 1.25 x 17' 180Grid	A/R		
05 0343695 Fitting, S/S Bottom e #49011	1		
6 0412639 Bracket, Modesty Panel Support	1		
7 0376030 Fitting, S/S Elbow W/Base	1		
8 0402664 See Next Column			
9 0377868 Bolt, Stanchion Locking 2422 Male	4		
10 0377869 Bolt, Stanchion Locking 2423 Female	4		



## roof hand rails 1826 / 71826

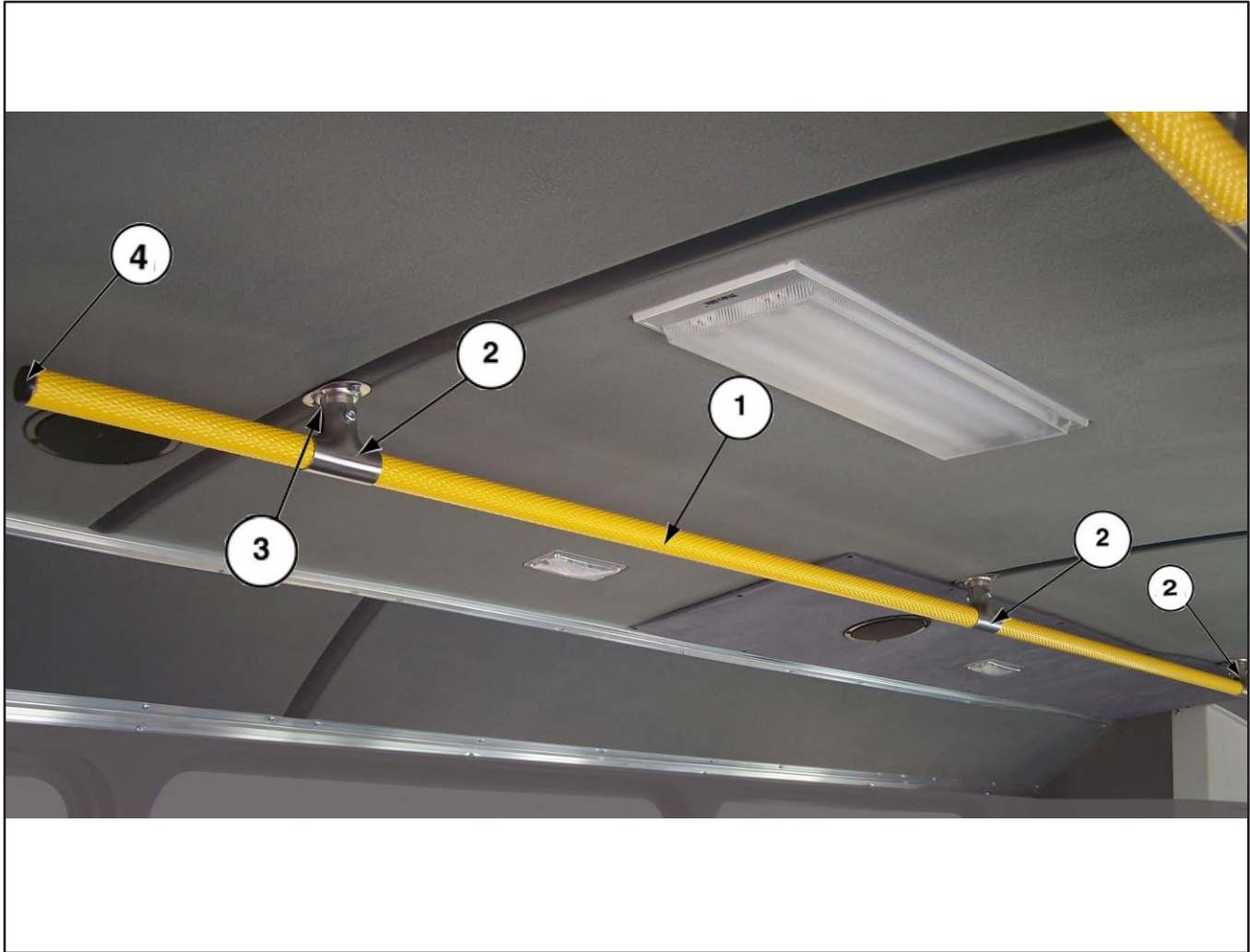
<u>ITEM</u>	<u>PART NO.</u>	<u>DESCRIPTION</u>	<u>QTY</u>	<u>ITEM</u>	<u>PART NO.</u>	<u>DESCRIPTION</u>	<u>QTY</u>
01	0346494	TUBE (.065 x 1.25 x 17' SS) 180 GRID	AR	<b>NOTE: Includes all assemblies ending in (-1826) and (71826)</b>			
02	0346395	FITTING, S/S Ceiling Mount 21511	AR				
03	0346379	FITTING, TEE S/S #50100	AR				
4	0376030	FITTING, S/S ELBOW W/BASE	AR				
5	3371684	CAP, END 1.25" TUBE BLACK	AR				
6	0346478	BOLT, STANCHION 1422 MALE	AR				
7	0346480	NUT, STANCHION 1423 FEMALE	AR				
N/S	8570931	SCREW (8 x 1 PAN QUAD TEK CLR EMP)	AR				



## RIGHT HAND GRAB RAIL

### Df-000-900-1825

ITEM	PART NO.	DESCRIPTION	QTY	ITEM	PART NO.	DESCRIPTION	QTY
01	0346494	TUBE (.065 x 1.25 x 17')	A/R				
02	0376030	FITTING, S/S OVAL BASE FLANGED	4				
N/S	0376089	FITTING, S/S OVAL BASE FLANGE	4				
N/S	8570943	SCREW (8 x 3/4) PAN QUAD	4				
N/S	8540171	BOLT, HEX 5/16 X 1 GR5 THREAD CUT	6				



**Roof hand Rails - pair yellow dimpled**  
**0418358 / df3110071826y**

<i>ITEM PART NO. DESCRIPTION</i>	<i>QTY</i>	<i>ITEM PART NO. DESCRIPTION</i>	<i>QTY</i>
1 0377752 Tube, Stanchion 1-1/4" Dimpled Yel	2.5		
2 0346379 Fitting, S/S Tee One Hole	11		
3 0346395 Fitting, S/S Ceiling Mount	11		
4 3371684 Cap, End 1.25" Tube Black	4		

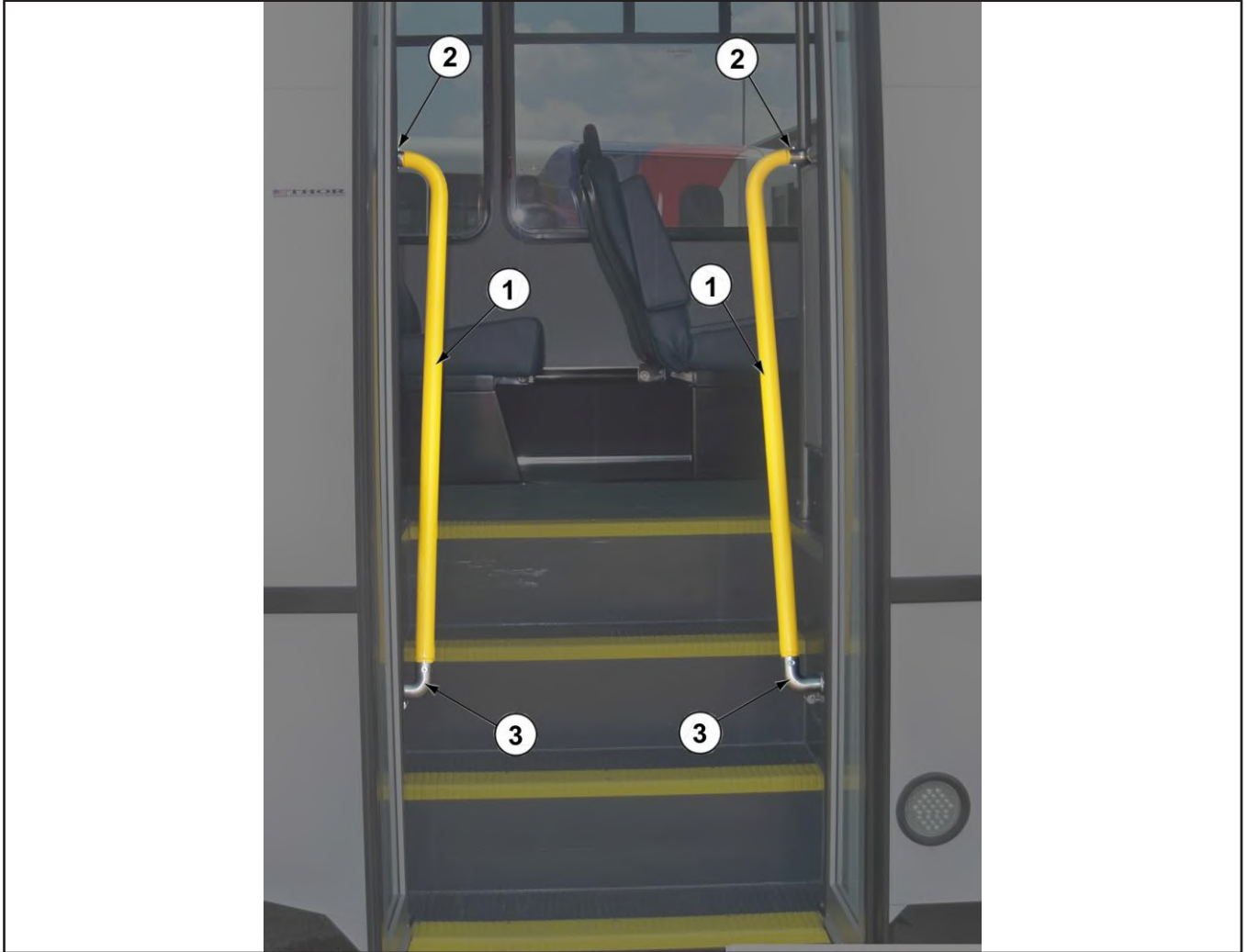




**Entry r/h grab rail-yElloW dimpled  
0418230**

<i>ITEM</i>	<i>PART NO.</i>	<i>DESCRIPTION</i>	<i>QTY</i>	<i>ITEM</i>	<i>PART NO.</i>	<i>DESCRIPTION</i>	<i>QTY</i>
01	0377752	Tube, Stanchion 1-1/4" Dimpled Yellow	AR				
NS	0346379	Fitting, S/S Tee One Hole #50100	1				
NS	0376030	Fitting, S/S Elbow W/Base	3				
NS	0347260	Fitting, S/S Elbow #19000	1				
NS	0377868	Bolt, Stanchion Locking 2422 Male	8				
NS	0377869	Nut, Stanchion Locking 2423 Female	8				

**NOTE: Picture may not resemble grab handle exactly as located in entrance.**



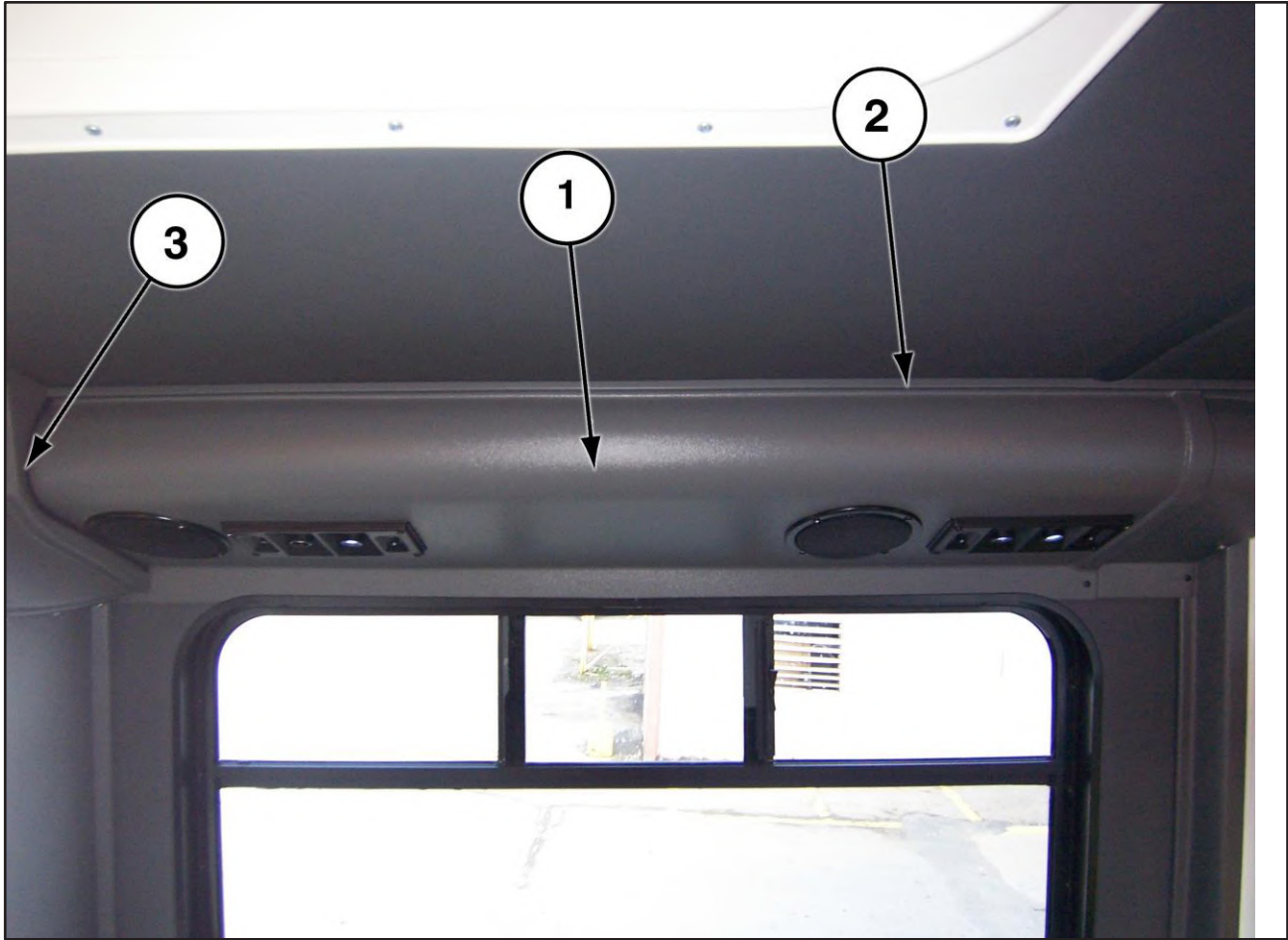
**entrance grab rails - ny  
0418680 (reV-a)**

<i>ITEM PART NO. DESCRIPTION</i>	<i>QTY</i>	<i>ITEM PART NO. DESCRIPTION</i>	<i>QTY</i>
1 0379166 Grab Rail, RH/LH 1.50 x 43" Yellow	1		
2 0346379 Fitting, S/S Tee One Hole	2		
3 0376030 Fitting, S/S Elbow W/Base	2		



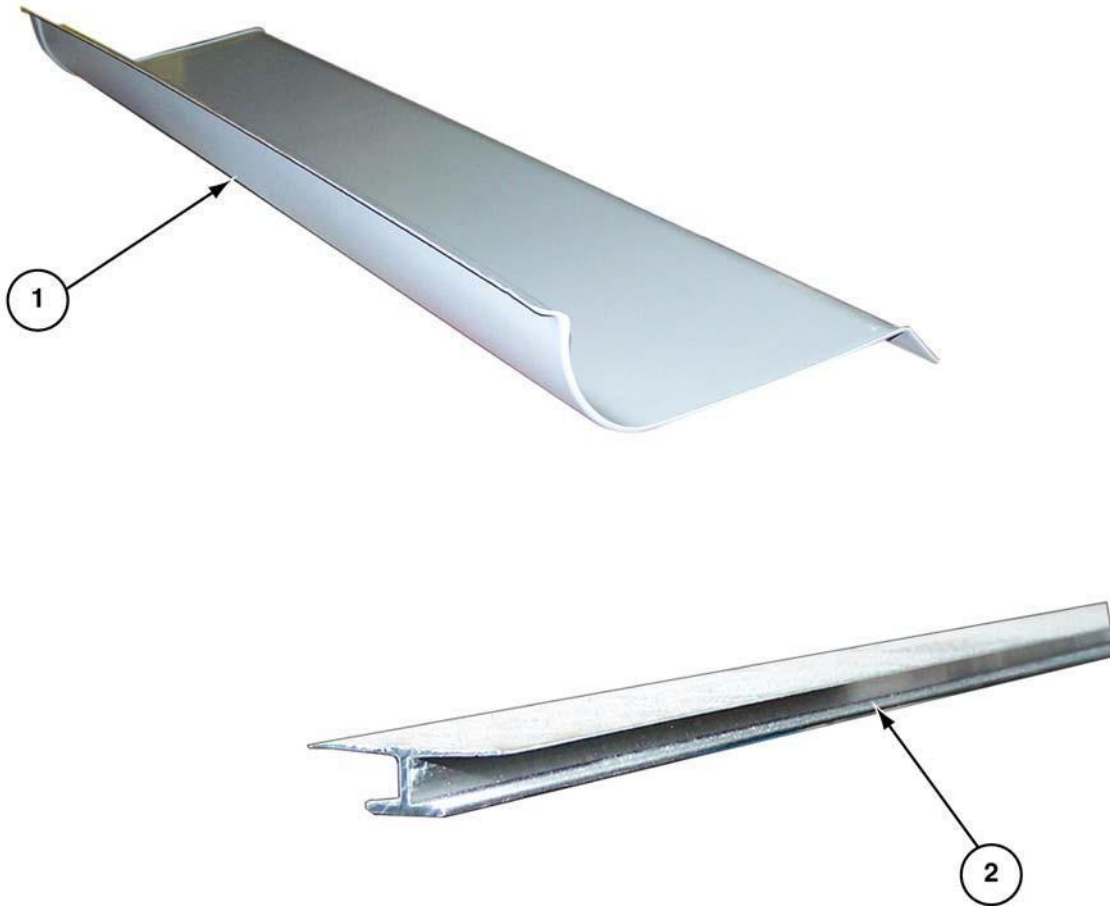
## Entry door grab rails-yellow dimpled 0418231

<i>ITEM PART NO. DESCRIPTION</i>	<i>QTY</i>	<i>ITEM PART NO. DESCRIPTION</i>	<i>QTY</i>
01 0377752 Tube, Stanchion 1-1/4" Dimpled Yellow	AR		
NS 0346379 Fitting, S/S Tee One Hole #50100	1		
NS 0376030 Fitting, S/S Elbow W/Base	5		
NS 0347260 Fitting, S/S Elbow #19000	1		
NS 0377868 Bolt, Stanchion Locking 2422 Male	12		
NS 0377869 Nut, Stanchion Locking 2423 Female	12		



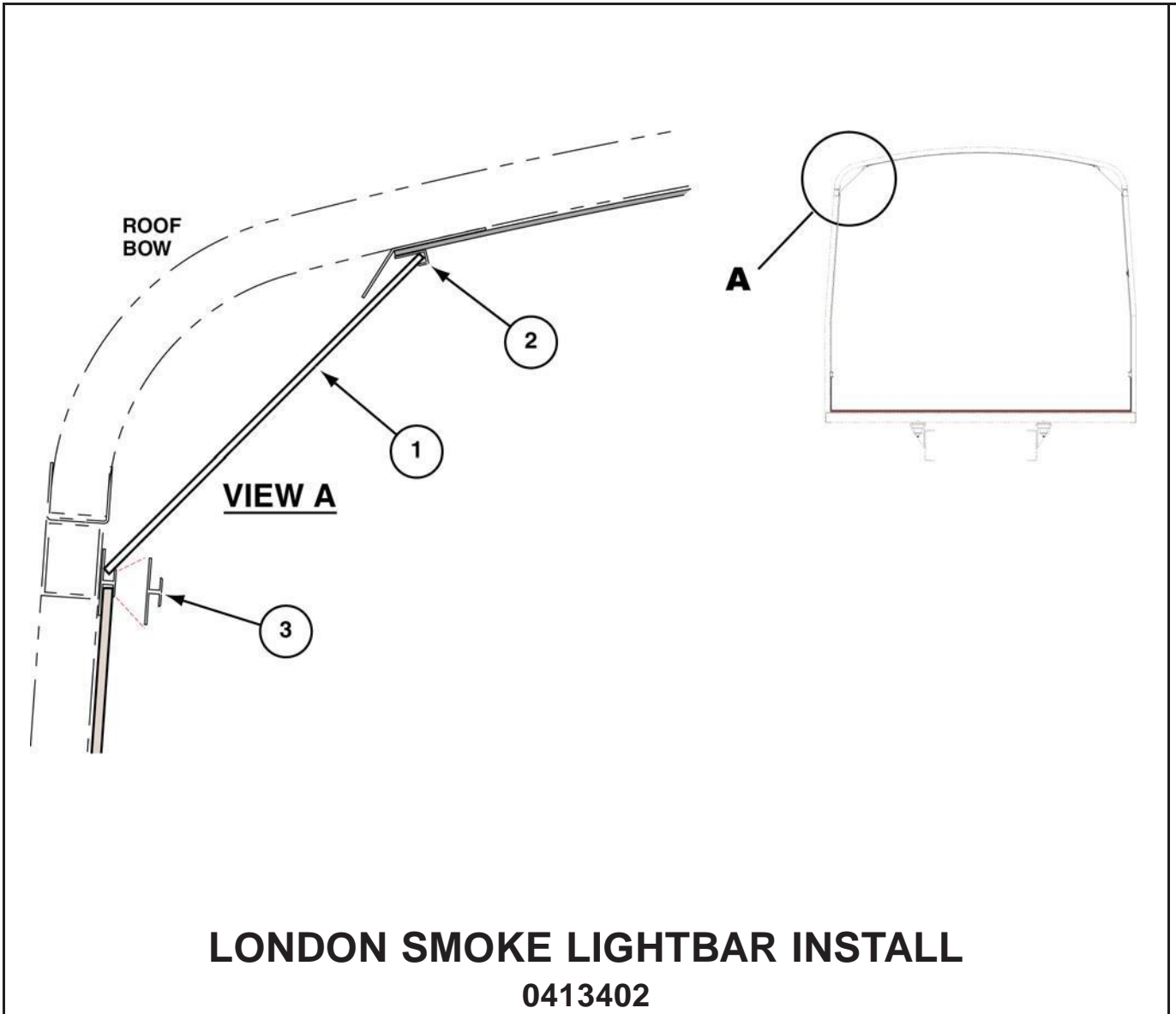
**hardshell lightbar 25'**  
**0410301 / 0410305**

<i>ITEM PART NO. DESCRIPTION</i>	<i>QTY</i>	<i>ITEM PART NO. DESCRIPTION</i>	<i>QTY</i>
01 3371741 Panel, Light Bar Hard Shell Lt Gray	8		
02 4570140 Cap, End "J" .19-3/16 #2900-16' Gr	2		
03 4570141 Bar Divider "H" 1/8" x 16' Gray	2.5		
N/S 3340031 Seal, Trim Lok 1/8 Loc C 7/16 BLB	2		



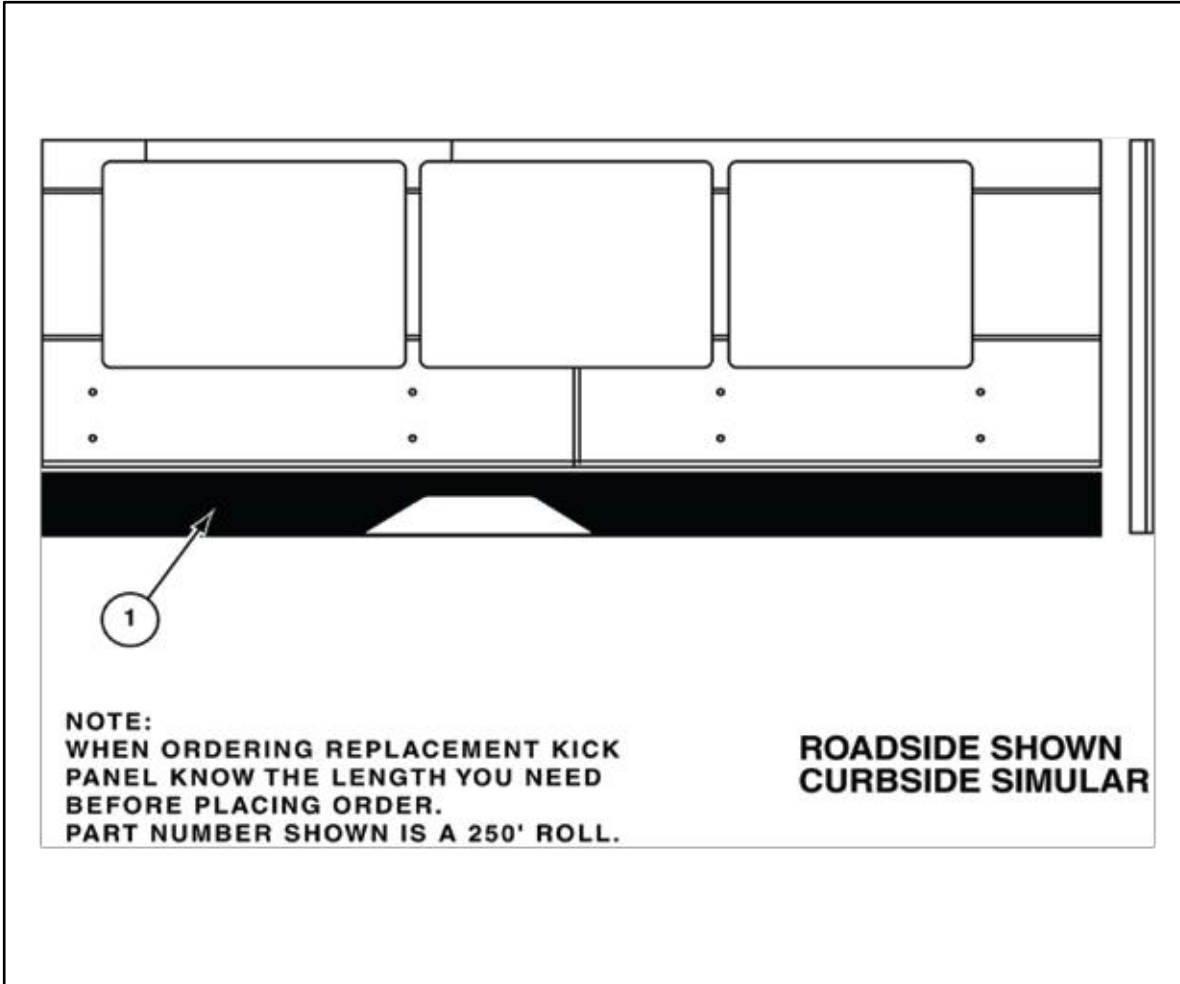
**HARDSHELL LIGHTBAR (LT. GRAY)**  
**0410299**

<i>ITEM PART NO. DESCRIPTION</i>	<i>QTY</i>	<i>ITEM PART NO. DESCRIPTION</i>	<i>QTY</i>
01 3371741 PANEL, HARDSHELL LIGHT	14		
02 4570141 "H"-DIVIDER (1/8 x 16')	A/R		
N/S 3340031 SEAL, TRIM-LOK	A/R		



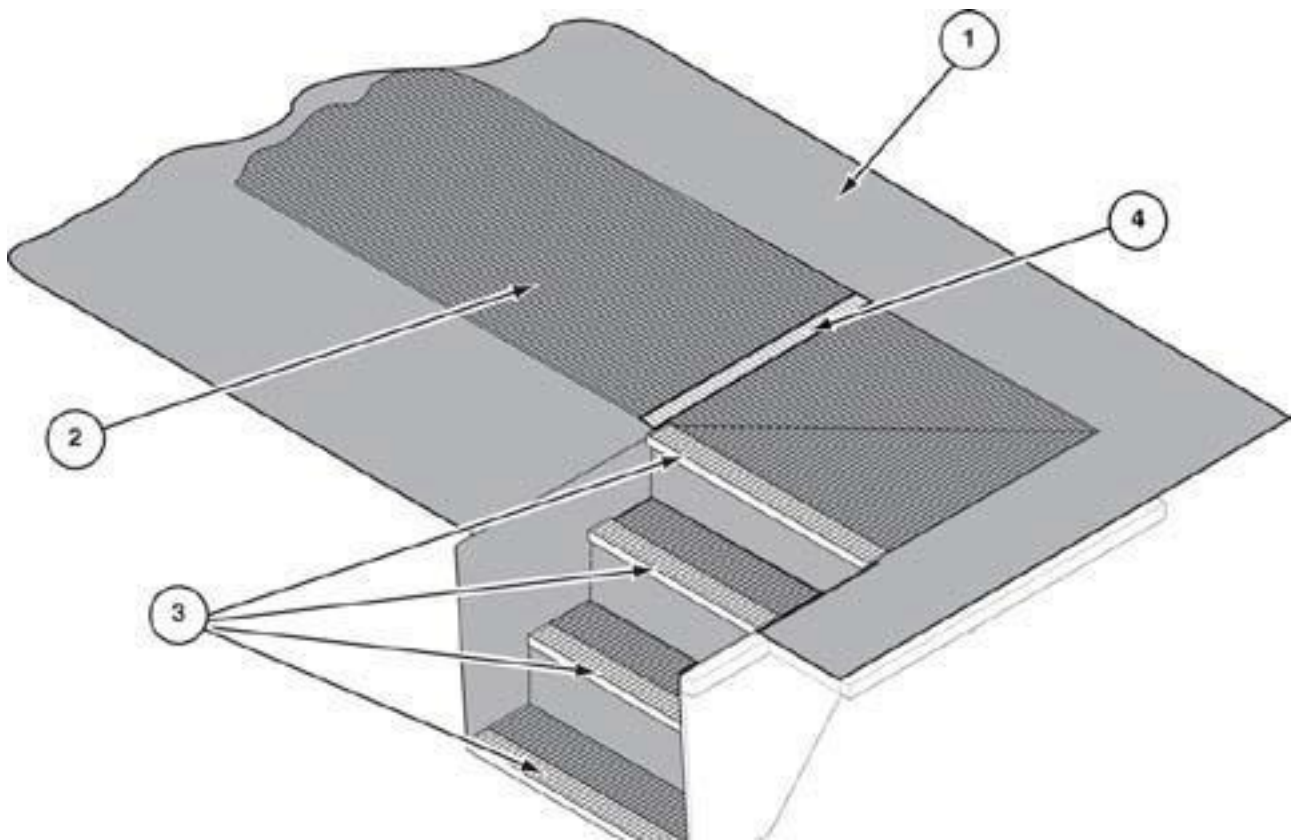
**LONDON SMOKE LIGHTBAR INSTALL**  
**0413402**

<i>ITEM PARTNO. DESCRIPTION</i>	<i>QTY</i>	<i>ITEM PARTNO. DESCRIPTION</i>	<i>QTY</i>
01 0970052 PANEL, LONDON SMOKE (4 x 8)	A/R		
02 4570140 END CAP, "J" (16") GRAY	A/R		
03 4570137 DIVIDER, "H" BAR	2		
N/S 3370990 BATTEN, (1.5 x 7)	7		
N/S 3370376 RETAINER, BATTEN 8'	A/R		



## fiberglass kickpanel, black pebble ALL ASSEMBLIES

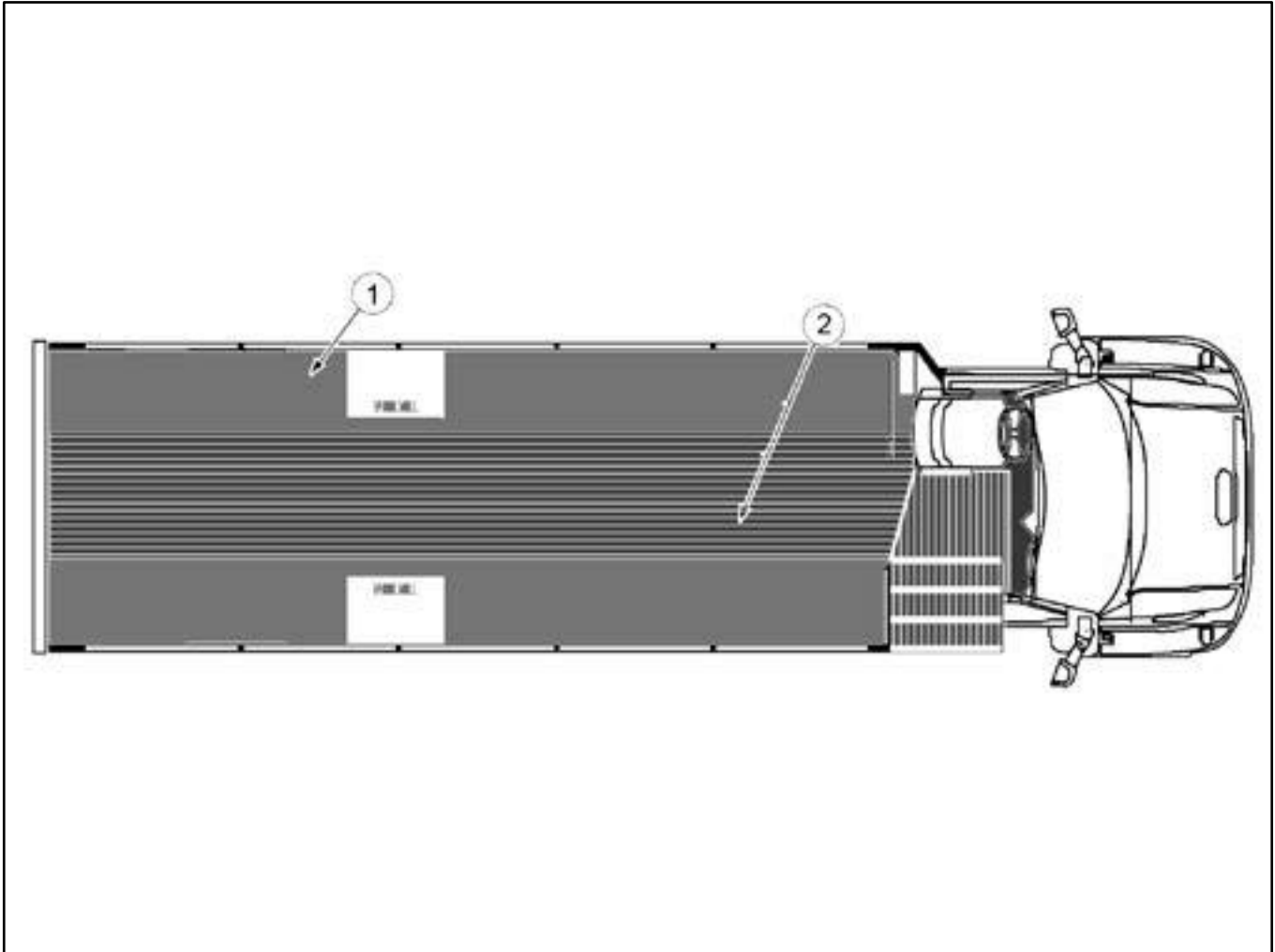
<i>ITEM PART NO. DESCRIPTION</i>	<i>QTY</i>	<i>ITEM PART NO. DESCRIPTION</i>	<i>QTY</i>
01 3371381 Fiberglass, Black Pebble 9.75x250'	A/R		



## FULL FLOOR RUBBER (GRAY) 0610G / 0610GC

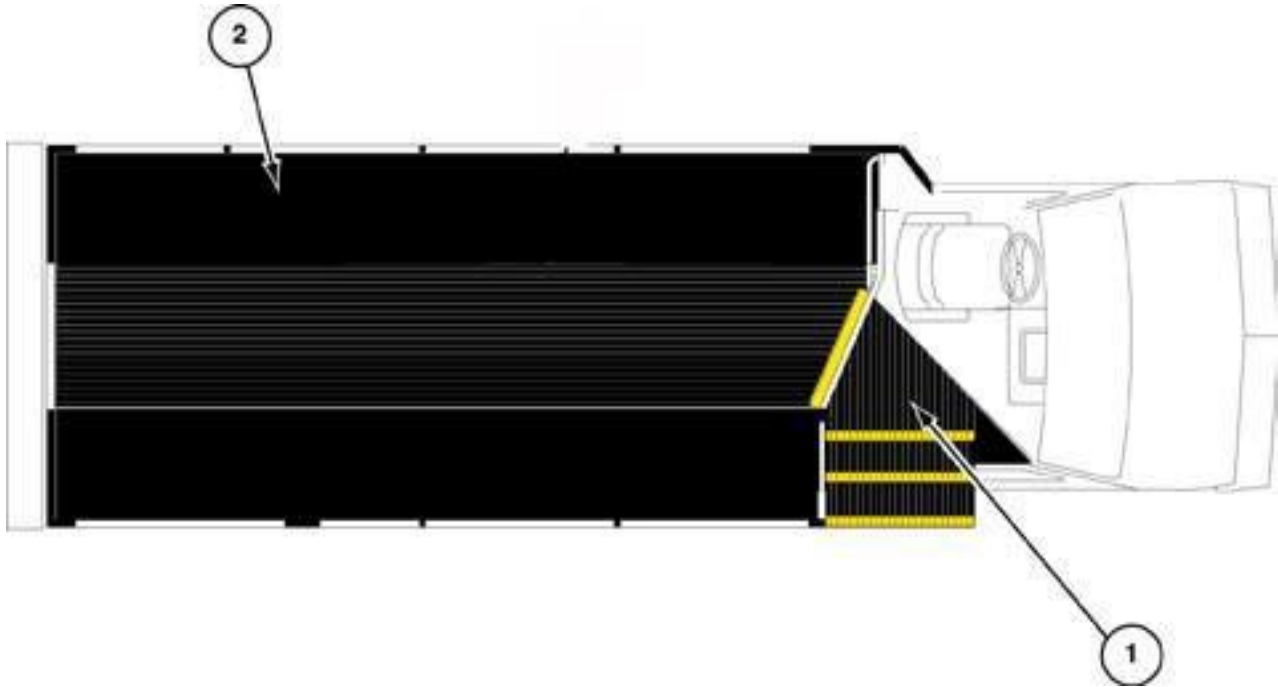
ITEM	PART NO.	DESCRIPTION	QTY	ITEM	PART NO.	DESCRIPTION	QTY
02	1570320	FLOORING, RUBBER (3/16 x 29-3/8 x 8 YDS) GRAY RIBBED	A/R	<b>INCLUDED IN THE FOLLOWING ASSEMBLIES:</b>			
01	1540400	FLOORING, RUBBER (1/8 x 34-1/2 x 8 YDS) GRAY SMOOTH	A/R	CH-000-903-0610G	EZ-290-900-0610G		
03	SEE CX-000-999-3114	For White Step Edge		CH-251-904-0610G	EZ-360-900-0610G		
04	SEE CX-000-900-3110	Fro White Standee Line		DF-290-900-0610G			
<b>0610GC ASSEMBLIES ONLY</b>				DF-310-900-0610G			
NS	1570474	COVING, ALTRO 3/4" X 5 FEET LONG	A/R	DF-311-900-0610G	DF-311-900-0610GC (COVERED)		
				DF-350-900-0610G	DF-350-900-0610GC (COVERED)		
				DF-380-900-0610G	DF-380-900-0610GC (COVERED)		
				CR-211-900-0610G			
				CR-210-900-0610G			
				CT-300-998-0610G			
				CT-380-900-0610G	CT-330-900-0610G (COVERED)		
				DF-270-900-0610G			





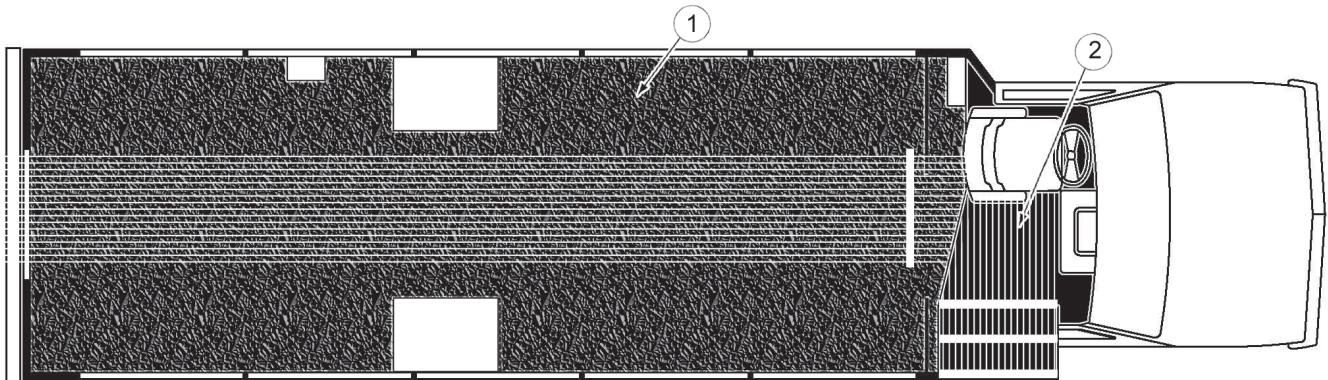
## flooring light/dark gray 0422561

<i>ITEM PART NO. DESCRIPTION</i>	<i>QTY</i>	<i>ITEM PART NO. DESCRIPTION</i>	<i>QTY</i>
01 1570596 Rubber, Light Gray Smooth 34.5" x 8	3		
02 1570320 Rubber, Gray 3/16 x 29 x 3/8" Ribbed	3		



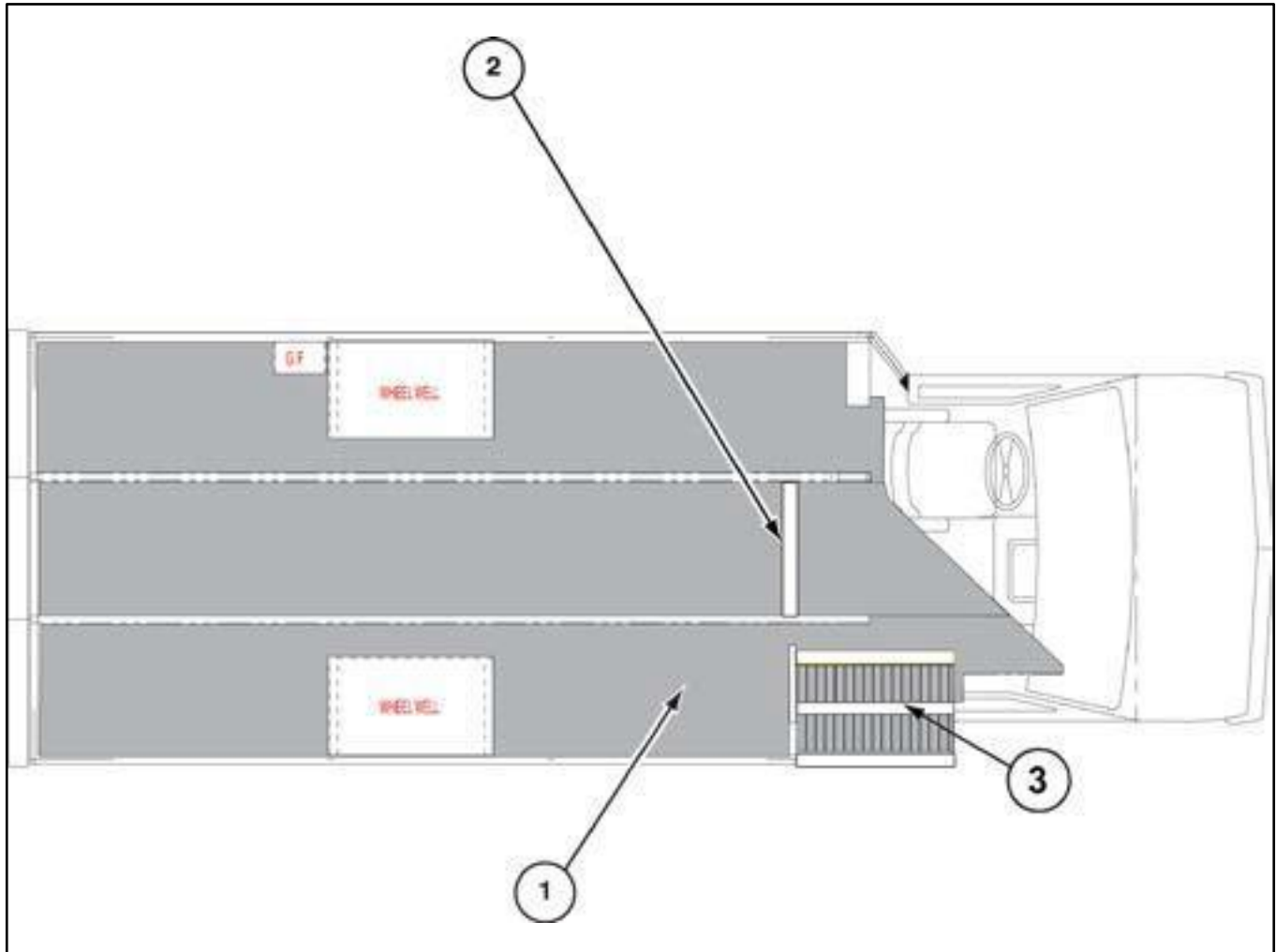
## Full Floor rubber - black 30028 / 30028c

<i>ITEM PART NO. DESCRIPTION</i>	<i>QTY</i>	<i>ITEM PART NO. DESCRIPTION</i>	<i>QTY</i>
01 1570319 Rubber, Black (3/16 x 29-3/8") Rib	AR	<b><i>APPLIES TO THE FOLLOWING ASSEMBLIES:</i></b>	
02 1540715 Rubber, Black (.13 x 34½) Smooth	AR	CH2110030028	
NS 1570474 Coving, Altro 3/4" x 5 Feet Long	AR	CH2310030028	
		CH2510030028	
		CH2700030028	
		CR2110030028	
		CT3800030028	
		DF2700030028	
		DF2900030028	
		DF3110030028	
		DF3300030028	
		DF3500030028	
		DF3110030028C	
		DF3300030028C	
		DF3500030028C	
		DF3800030028C	



## Full Floor rubber - black Marbleized M2-310-998-0610b

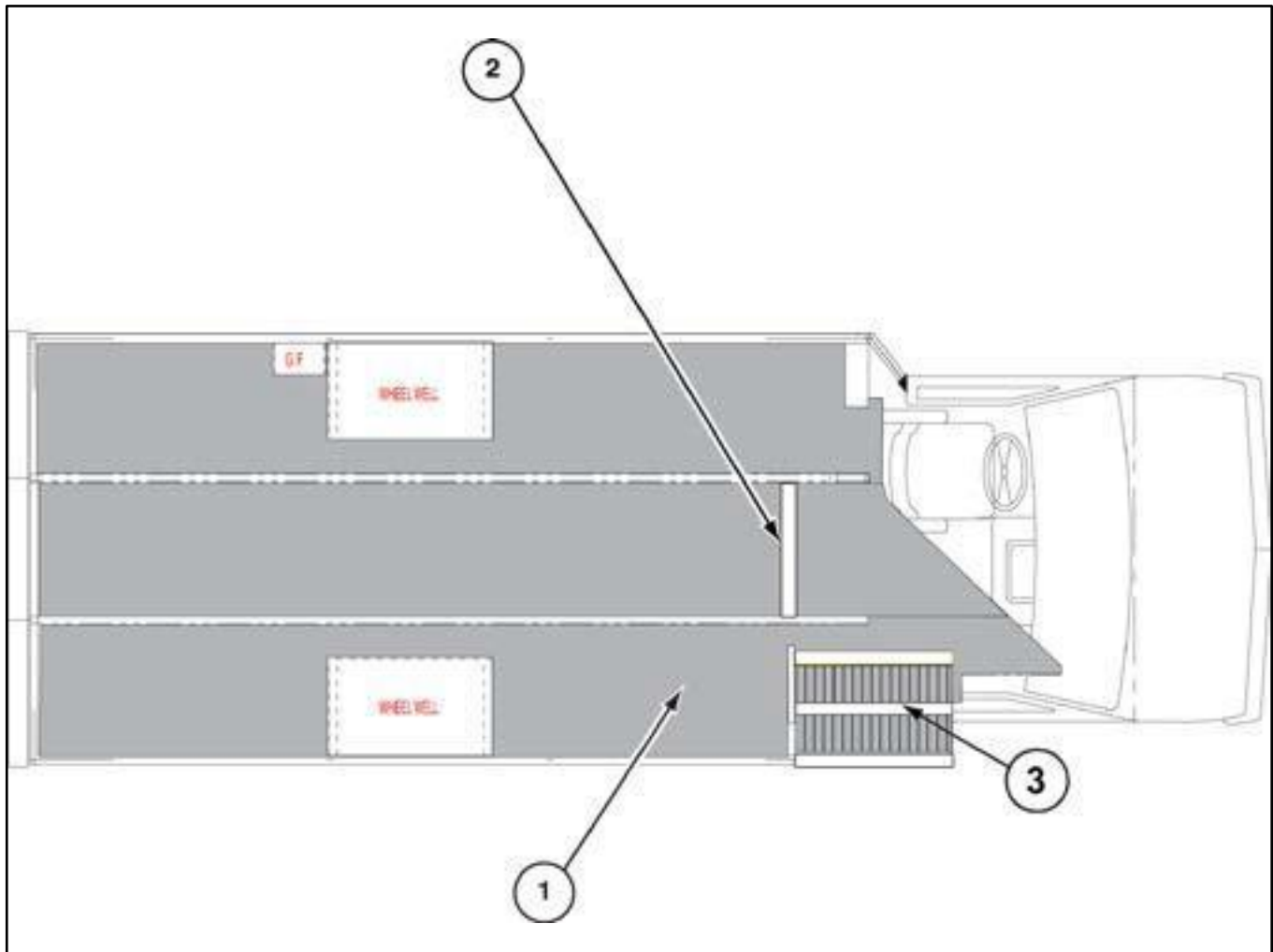
ITEMPART NO.	DESCRIPTION	ITEMPART NO.	DESCRIPTION
1 1570220	Rubber, Black Marbleized Ribbed A/R		
2 1570221	Rubber, Black Marbleized Smooth A/R		



## altro Flooring - M2

### Miscellaneous - Page 1

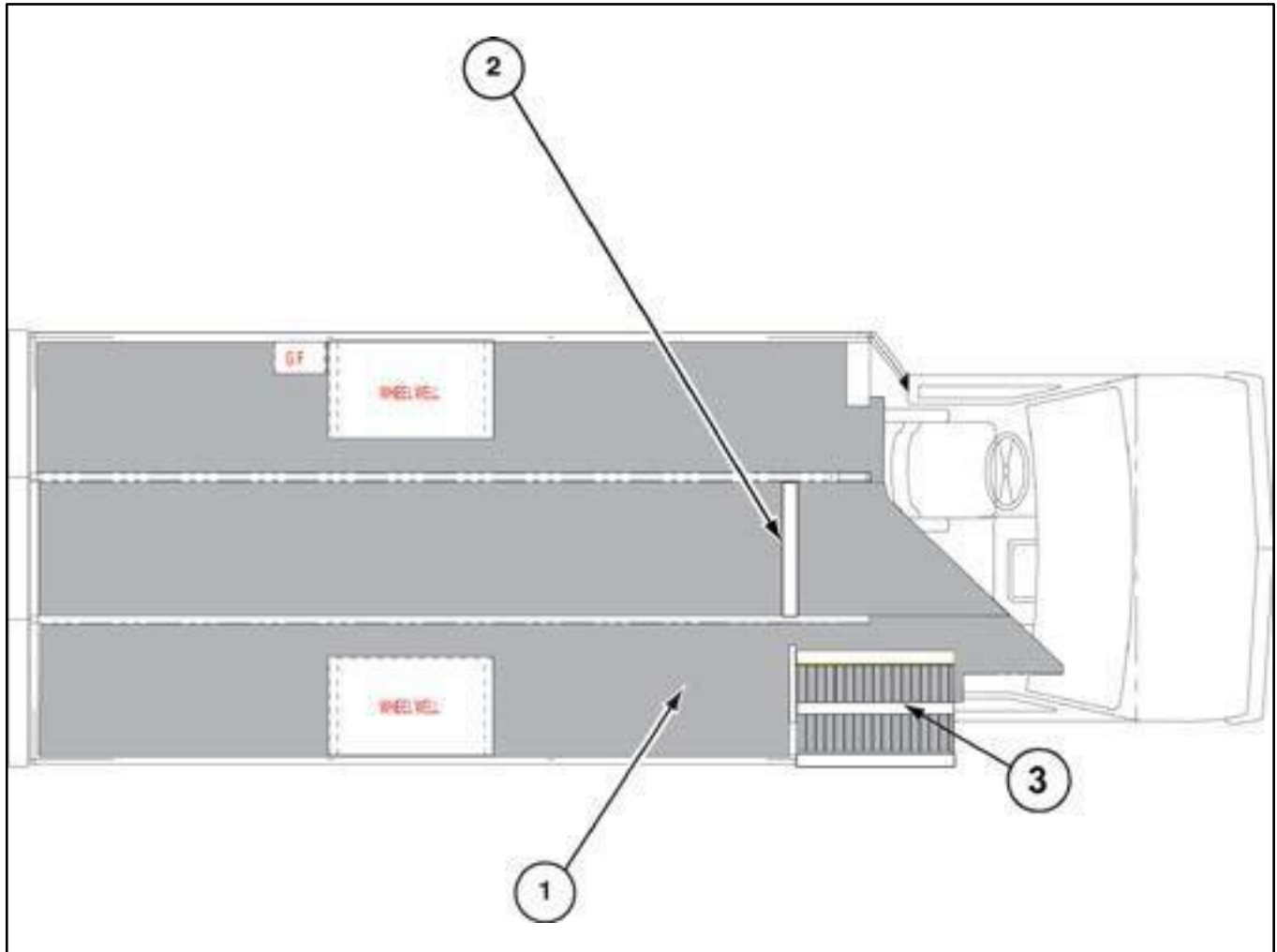
<i>ITEM PART NO. DESCRIPTION</i>	<i>QTY</i>	<i>ITEM PART NO. DESCRIPTION</i>	<i>QTY</i>
<b>0420439 Flooring, Altro Strada Coved DF351</b>		<b>0421241 Flooring, Altro Diablo W/Yellow Step</b>	
1 1570497 Flooring, Altro Strada 79" x 786"	AR	1 1570539 Flooring, Altro Diablo 79" x 786"	1
2 1570463 Standee, White 10'	AR	2 1570463 Standee, White 10'	AR
3 1570462 Nosing, Alum T36T W/Yellow Insert	AR	3 1570462 Nosing, Alum T36T W/Yellow Insert	1.5
NS 1570494 Rod, Welding Altro Chroma Elan	1	NS 1570540 Sealant, Altro Diablo	1
NS 0570493 Sealant, Altro Chroma Elan	1	NS 1570541 Rod, Welding, Altro Diablo	AR
<b>0420742 Flooring, Altro Storm W/Yellow Step</b>		<b>0418325C Flooring, Altro Midnight DF310 Coved</b>	
<b>0419742 Flooring, Altro Storm W/Yellow Step (C)</b>		1 1570467 Flooring, Altro Midnight 79" x 786"	1
<b>EZ3610030113 Flooring, Altro Storm W/White</b>		2 1570463 Standee, White 10'	AR
1 1570475 Flooring, Altro Storm 79" x 786"	1	3 1570461 Edge, Step 9' Yellow	1
2 1570463 Standee, White 10'	AR	NS 1570468 Rod, Welding, Altro Midnight	1
3 1570461 Edge, Step 9' Yellow	1.5	NS 1570474 Coving, Altro 3/4" x 5' Long	6
1670509 Nosing, Alum T36T W/White Insert	1.5		
NS 1570476 Sealant, Altro Storm WR-82	1		
NS 1570477 Rod, Welding Altro Storm WR-82	AR		
NS 1570474 Coving, Altro 3/4" x 5' Long	5		



## altro Flooring - M2

### Miscellaneous - page 2

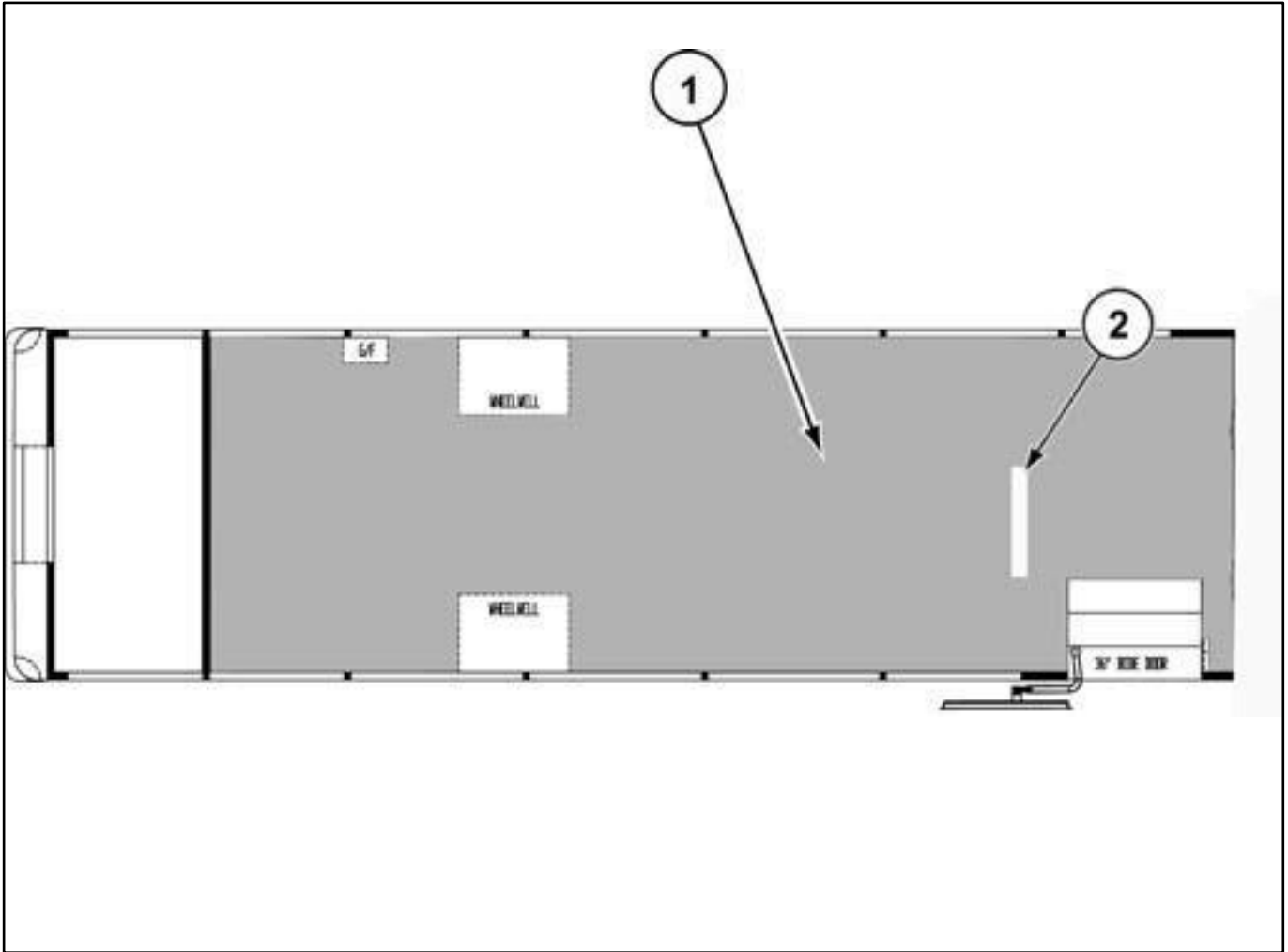
ITEM	PART NO.	DESCRIPTION	QTY	ITEM	PART NO.	DESCRIPTION	QTY
		<b>0417338C Flooring, Altro Genome W/Yellow Ins</b>		NS	1570460	Rod, Welding Altro Genome	AR
		<b>0420177 Flooring, Altro Genome W/Yellow Ins</b>		NS	1570459	Sealant, Altro Genome	1
		<b>0419317 Flooring, Altro Genome W/White Step</b>				<b>0421125 Flooring, Altro Warm Cherry</b>	
1	1570458	Flooring, Altro 79" x 786" Genome	AR	01	1570536	Flooring, Altro Warm Cherry	AR
2	1570470	Standee Line, Yellow 10'	AR	03	1570509	Nosing, Alum T36T W/White Insert 10"AR	
2	1570463	Standee, White 10'	AR	NS	1570538	Welding, rod Altro Warm Cherry	1
3	1570466	Edge, Step White 9"	3	NS	0570537	Sealant, Altro Warm Cherry	1
03	1570509	Nosing, Alum T36T W/White Insert	AR			<b>0421241 Flooring, Altro Diablo W/Yellow Step</b>	
03	1570462	Nosing, Alum T36T W/Yellow Insert	AR	1	1570539	Flooring, Altro Diablo 79" x 786"	1
NS	1570460	Rod, Welding Altro Genome	AR	2	1570463	Standee, White 10'	AR
NS	1570459	Sealant, Altro Chroma Mineral	1	3	1570462	Nosing, Alum T36T W/Yellow Insert	1.5
NS	1570474	Coving, Altro 3/4" x 5-FT Long	6	NS	1570540	Sealant, Altro Diablo	1
		<b>017338Y Flooring, Altro Genome W/Gray Insert</b>		NS	1570541	Rod, Welding, Altro Diablo	AR
1	1570458	Flooring, Altro 79" x 786" Gemone	AR				
2	1570470	Standee Line , Yellow 10'	AR				
3	1570462	Nosing, Alum T36T W/Yellow Insert	AR				



## altro Flooring - M2

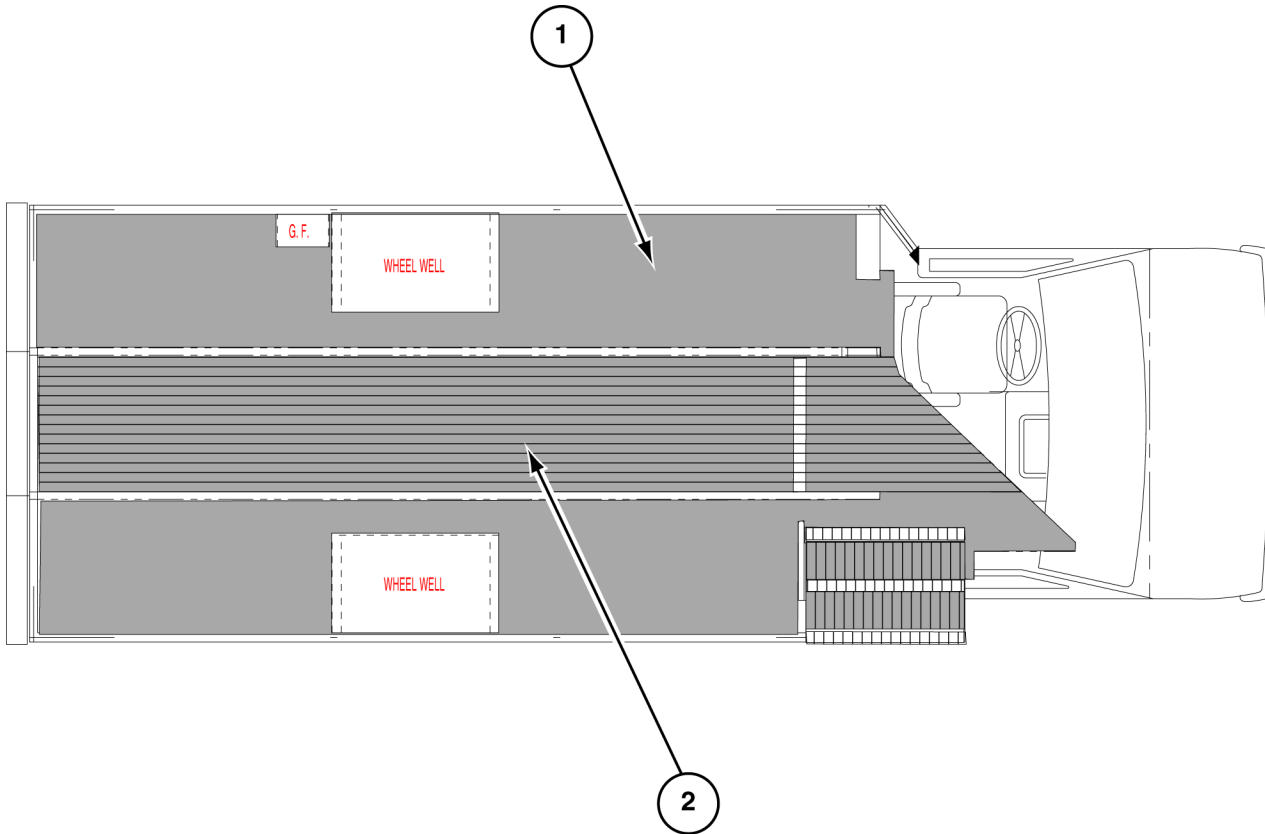
### Miscellaneous - page 3

<i>ITEM PART NO. DESCRIPTION</i>	<i>QTY</i>	<i>ITEM PART NO. DESCRIPTION</i>	<i>QTY</i>
<b>0422170 Flooring, Altro Black W/Yellow Standee</b>			
<b>0420357 Flooring, Altro Black W/White Standee</b>			
1	1570501 Flooring, Altro Black 79" x 786"	AR	
2	1570470 Standee, Yellow 10'	1	
	1570463 Standee, White 10'	1	
3	1570462 Nosing, Alum T36T W/Yellow Insert	1.5	
	1570509 Nosing, Alum T36T W/White Insert	1.5	
NS	1570503 Rod, Welding Altro WR100	AR	
NS	1570502 Sealant, Altro Mastic	1	
NS	1570474 Coving, Altro 3/4" x 5 Feet Long	9	



## flooring, altro storm (graY)

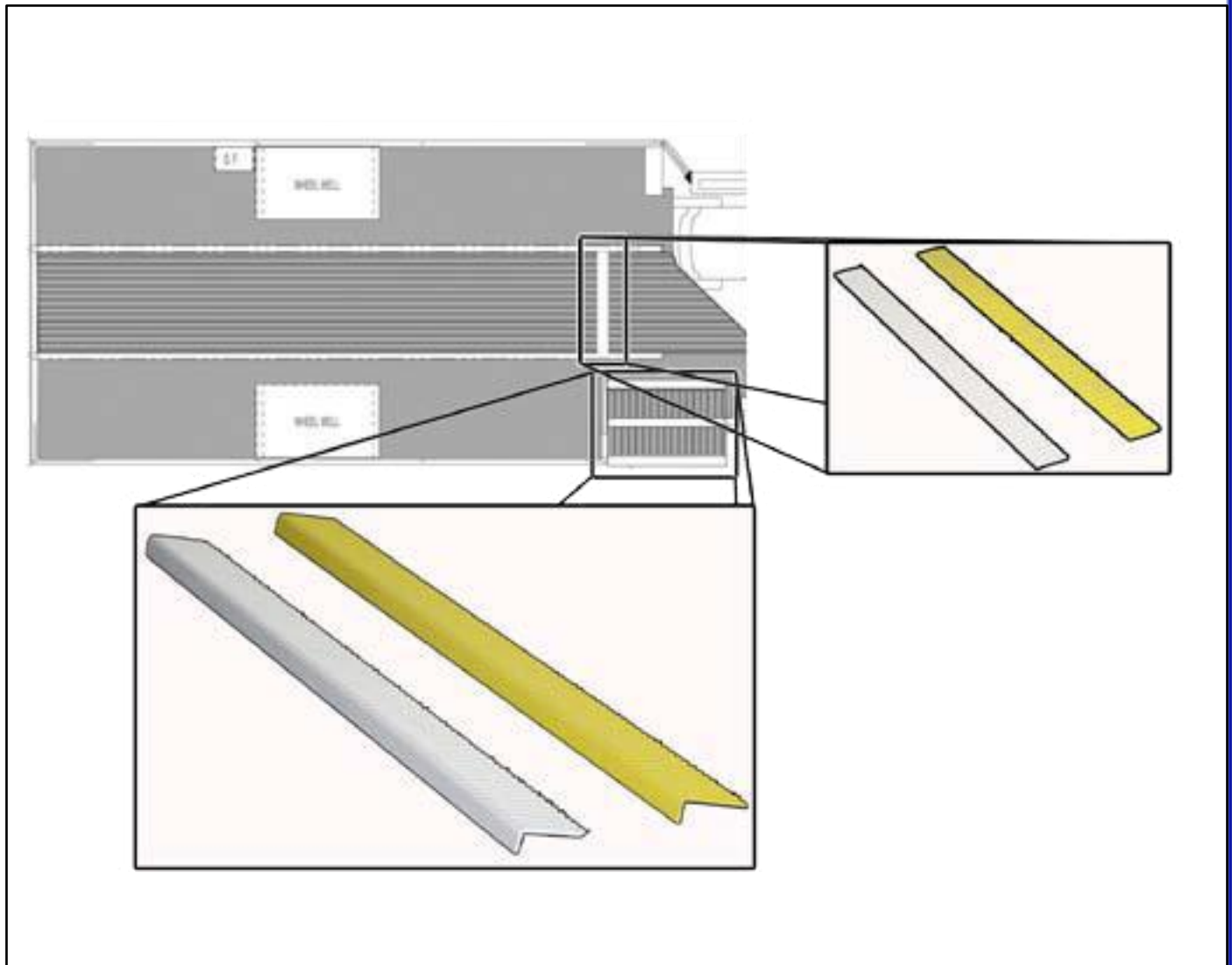
<i>ITEM PART NO. DESCRIPTION</i>	<i>QTY</i>	<i>ITEM PART NO. DESCRIPTION</i>	<i>QTY</i>
01 1570475 Flooring, Altro 79" x 786" Storm	A/R	<b>AVAILABLE IN THE FOLLOWING ASSEMBLIES:</b>  EZ3610030113, 0417760W, 0417760, 0417760Y, 0418582, 0419471, 0419636, 0419742, 0419802, 0419858, 0419471	
NS 1570476 Sealant, Altro Storm WR-82	AR		
NS 1570477 Rod, Welding Altro Storm WR82	AR		
NS 1570476 Sealant, Altro Storm WR82	AR		
02 1570463 Standee, White 10'	AR		
1570470 Standee, Yellow 10'	AR		
NS 1570475 Edge. Step 9' Yellow	AR		
NS 1570462 Nosing, Alum T36T W/Yellow Insert	AR		
NS 1570509 Nosing, Alum T36T W/White Insert	AR		
NS 1570474 Coving, Altro 3/4" x 5FT Long	AR		



## Full Floor rubber - Grey, Coved 0416739

<i>ITEM PART NO. DESCRIPTION</i>	<i>QTY</i>	<i>ITEM PART NO. DESCRIPTION</i>	<i>QTY</i>
1 1570297 Rubber, Grey 34¼ x 288" Smooth	AR		
2 1570299 Rubber, Grey 22" x 288" Ribbed	AR		
NS 1570474 Coving, Altro 3/4" x 5 Ft Long	8		





## Step Edge / Standee Line Standard

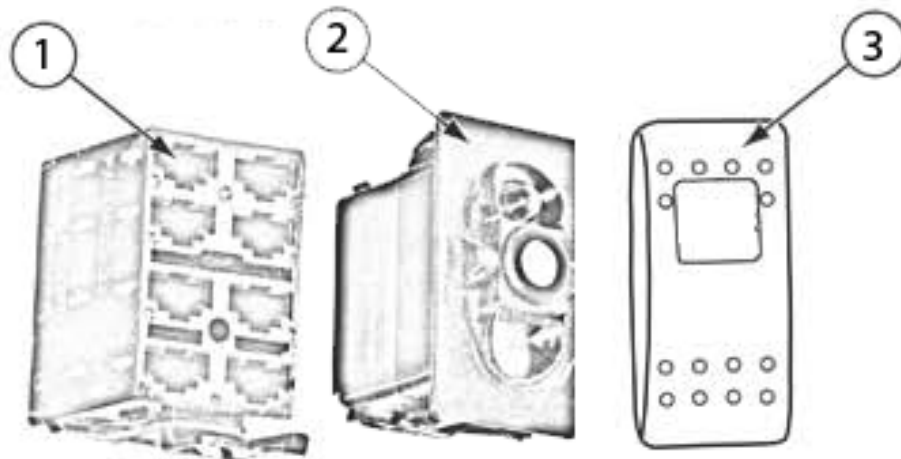
Item Part Number	Description	QTY	Item Part Number	Description	QTY
1540848	EDGE,STEP STEEL .19 X 3 X 34.0		<u>Also Found in Assemblies:</u>		
1570161	EDGE,STEP STEEL .19 X 3 X 44.0		0401115, 0402134, 0402662,0404872, 0402877, 0402877S, 0401463, 0401464, 0402877, 0414343, 0414609, 0416809, 0418957, 0419458, 0420038, 0420054, 0420062, 0420374, 0420497		
1540087	EDGE,STEP STEEL .19x3x34		<u>Also Found in Assemblies:</u>		
1570160	EDGE,STEP STEEL .19 X 3 X 44.0		AB-350-900-3116, AB-351-999-3116		
1570287	EDGE,STEP STL .19 X 3 X 48.88		SO-304-999-3116, SO-301-999-3116, SO-304-900-3117, SO-301-900-3117, CT-000-999-3114		
1570269	EDGE,STEP STEEL .19 X 3 X 54"		CH0000033258, CH-000-998-3116, CX-000-900-3110, CH-000-900-3111, CH-000-900-3111Y, CH-000-900-3110Y		
1570298	EDGE, STEP (3" X 34 <sup>1</sup> / <sub>4</sub> ")		CT-000-900-3111, CT-000-900-3111Y. CT-000-900-3116		
1570362	EDGE, STEP (3" X 44")		SR-000-900-3110,		
1570298	EDGE, STEP (3" X 34 <sup>1</sup> / <sub>4</sub> ")		CX-000-900-3110Y, CX-000-900-3110, CX-000-900-3110, CX-000-900-3117, CX-000-999-3114, CX-000-900-3115 CX0000030008		
1570263	STANDEE,WHITE .19 X 29.38 X 2.0				
1570264	STANDEE,YELLOW .19 X 29.38 X 2.0				
1571283	STANDEE, WHITE (7/8" X 24 <sup>1</sup> / <sub>2</sub> " X 2")				



## interior cab forward - dash M2-380-000

<i>ITEM PART NO. DESCRIPTION</i>	<i>QTY</i>	<i>ITEM PART NO. DESCRIPTION</i>	<i>QTY</i>
01 3973990 Mount, Switch Panel ABS	1		
3973983 Switch, Face Plate	1		

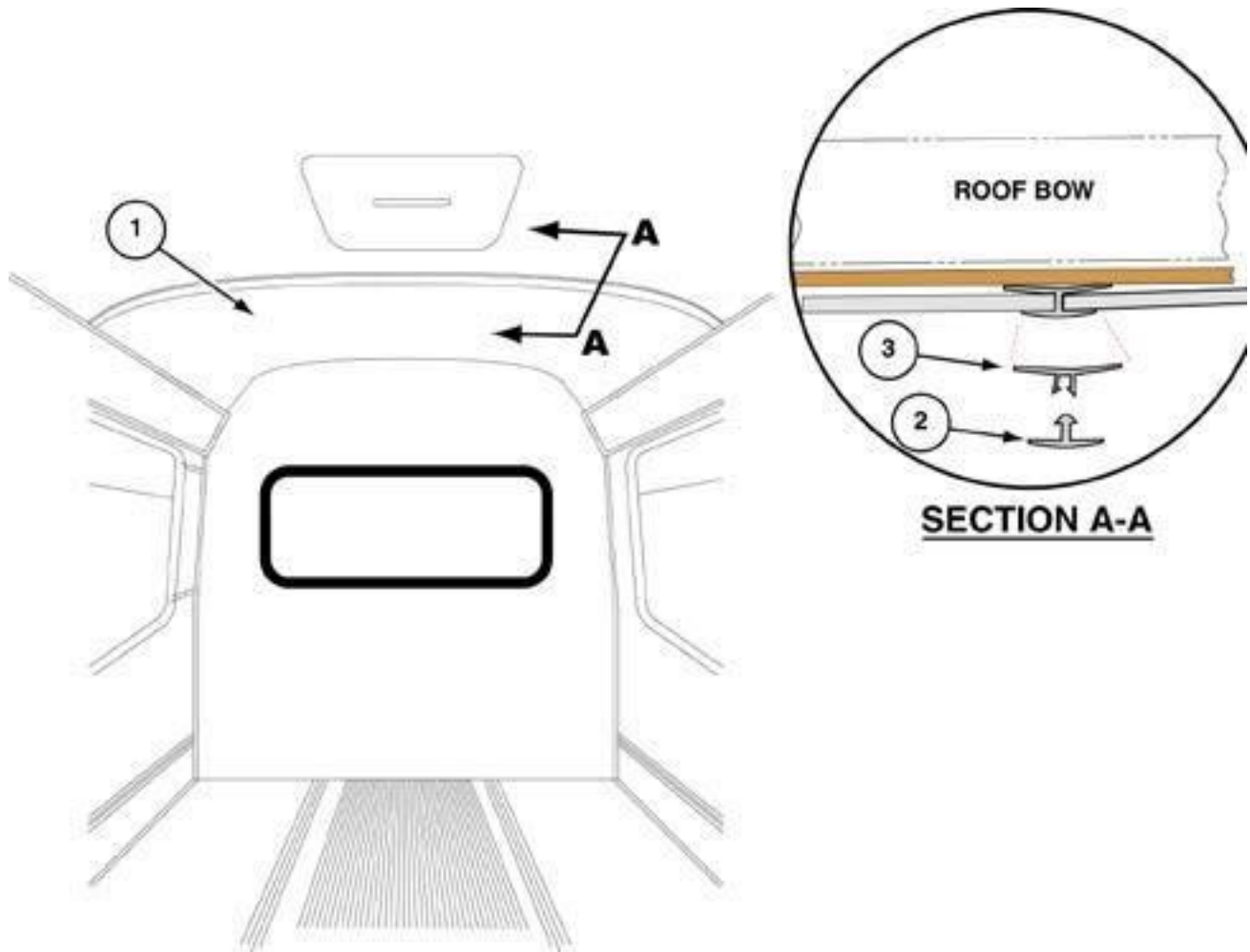
**NOTE:** See "Dash Switches (Carling)" page for switch part numbers.



## Dash Switches (Carling)

Item	Part Number	Description	QTY	Item	Part Number	Description	QTY
01	3973886	Switch, Connector Plug	A/R	3973889	ACTUATOR,REAR HEATER	A/R	
02	3973881	Switch, Carling ON/OFF	A/R	3973890	ACTUATOR,FOG LIGHT	A/R	
	3973789	Switch, Carling Momentary	A/R	3973891	ACTUATOR,LIFT MASTER	A/R	
	3973976	Switch, Carling ON/OFF/ON	A/R	3973892	ACTUATOR,INTERIOR LIGHTS	A/R	
03	3973888	Actuator, Driver's Dome	A/R	3973893	ACTUATOR,STOP REQUEST	A/R	
	3974644	ACTUATOR,LUGGAGE LOCK	A/R	3973894	ACTUATOR,DEFROST FAN	A/R	
	3974645	ACTUATOR,BATHROOM	A/R	3973895	ACTUATOR,READING LIGHTS	A/R	
	3974646	ACTUATOR,LUGGAGE LIGHT	A/R	3973896	ACTATOR,STROBE LIGHT	A/R	
	3974647	ACTUATOR,VIDEO	A/R	3973899	ACTUATOR,FRONT DOOR	A/R	
	3974648	ACTUATOR,START	A/R	3973900	ACTUATOR,COURTESY LIGHTS	A/R	
	3974649	ACTUATOR,MASTER	A/R	3973901	ACTUATOR,BLANK	A/R	
	3974650	ACTUATOR,PRE HEAT	A/R	3973902	ACTUATOR,KNEEL SWITCH	A/R	
	3974651	ACTUATOR,DOCKING LIGHTS	A/R				
	3974652	ACTUATOR,A/C SYSTEM	A/R				
	3974653	ACTUATOR,MIRROR HEAT	A/R				
	3974654	ACTUATOR,CALL DISABLE	A/R				
	3974655	ACTUATOR,110 OUTLET	A/R				
	3973888	ACTUATOR,DRIVER'S DOME	A/R				

Also Found in Assemblies:



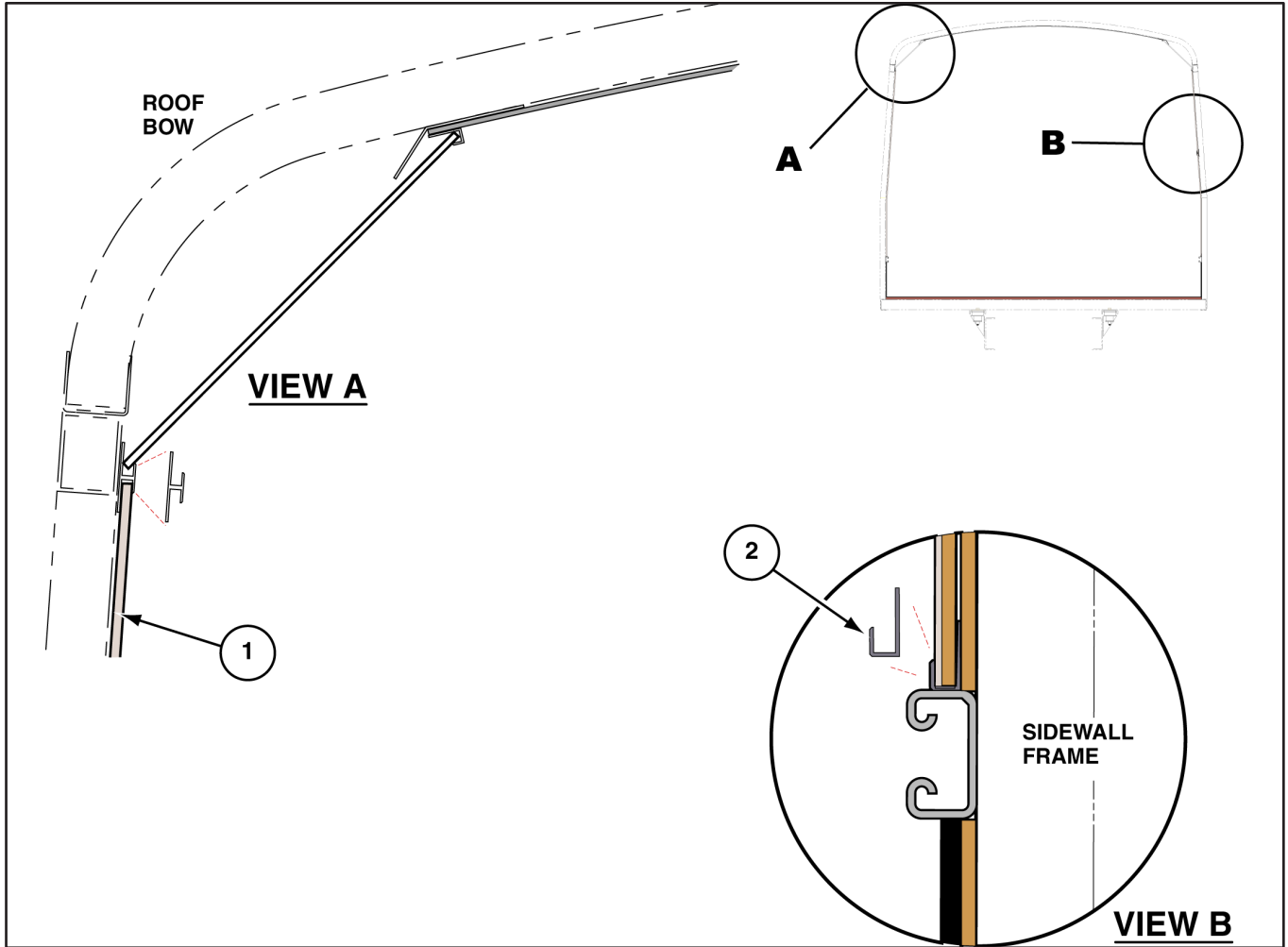
## ceiling, Auto cloth black All ASSEMBLIES

<i>ITEM PART NO. DESCRIPTION</i>	<i>QTY</i>	<i>ITEM PART NO. DESCRIPTION</i>	<i>QTY</i>
1 0970141 Panel, Auto Cloth Black 48" x 70"	AR		
0970140 Panel, Auto Cloth Black 48" x 96"	AR		
2 3371757 Batten Black 2.5" Wide x 96" L	AR		
03 4570144 Cap, End "J" .19-1/4" x 16' Gray	AR		
NS 4570137 Bar, Divider "H" 1/4" Mill	AR		



## Interior **BLACK** Auto **CLOth** **PANeLs** ALL AssemBLies

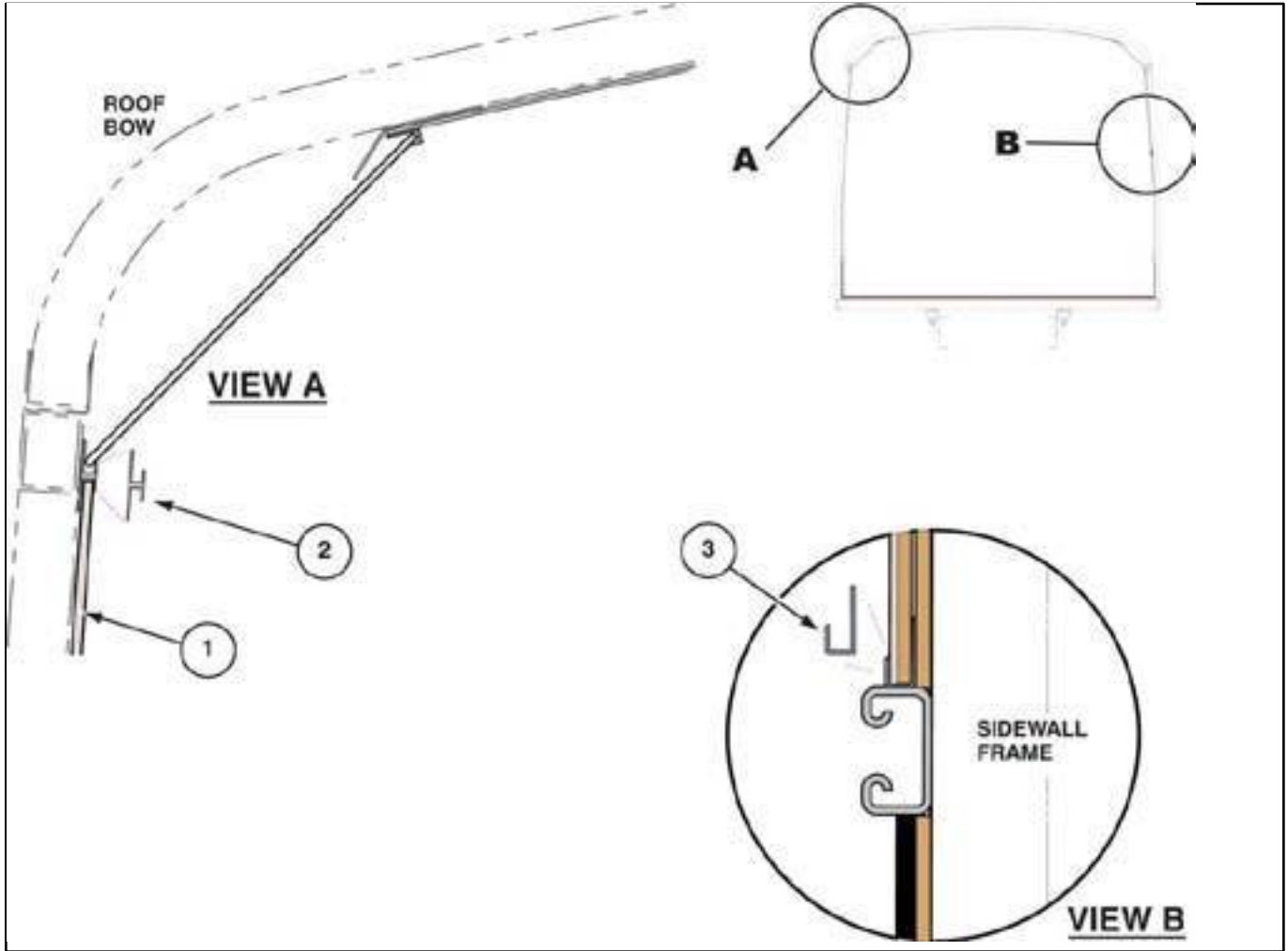
<i>ITEM PART NO. DESCRIPTION</i>	<i>QTY</i>	<i>ITEM PART NO. DESCRIPTION</i>	<i>QTY</i>
01 0970140 Panel, Auto Cloth Black 48" x 96"	AR		
NS 3371281 Modling, H F101-84 Black	AR		
NS 4570144 Cap, End "J" .19¼: x16'	AR		
NS 7371618 Fabric, Allante Black Vinyl W/Sponge	AR		



**auto cloth black sidewalls df310**  
**0417681 - 04171661, 04171664**

<i>ITEM PART NO. DESCRIPTION</i>	<i>QTY</i>	<i>ITEM PART NO. DESCRIPTION</i>	<i>QTY</i>
01 0970140 Panel, Auto Cloth Black 48" x 96"	10		
02 4570144 Cap, End "J" .19 1/4 x 16' Gray	4		
NS 3371281 Molding, "H" F101-84 Black	12		
NS 7371618 Fabric, Allante Black VinylW/Sponge	10		
NS 7371661 Fabric, Auto Cloth Black	15		
NS 7371664 Cap, Snap Allante Black	40		

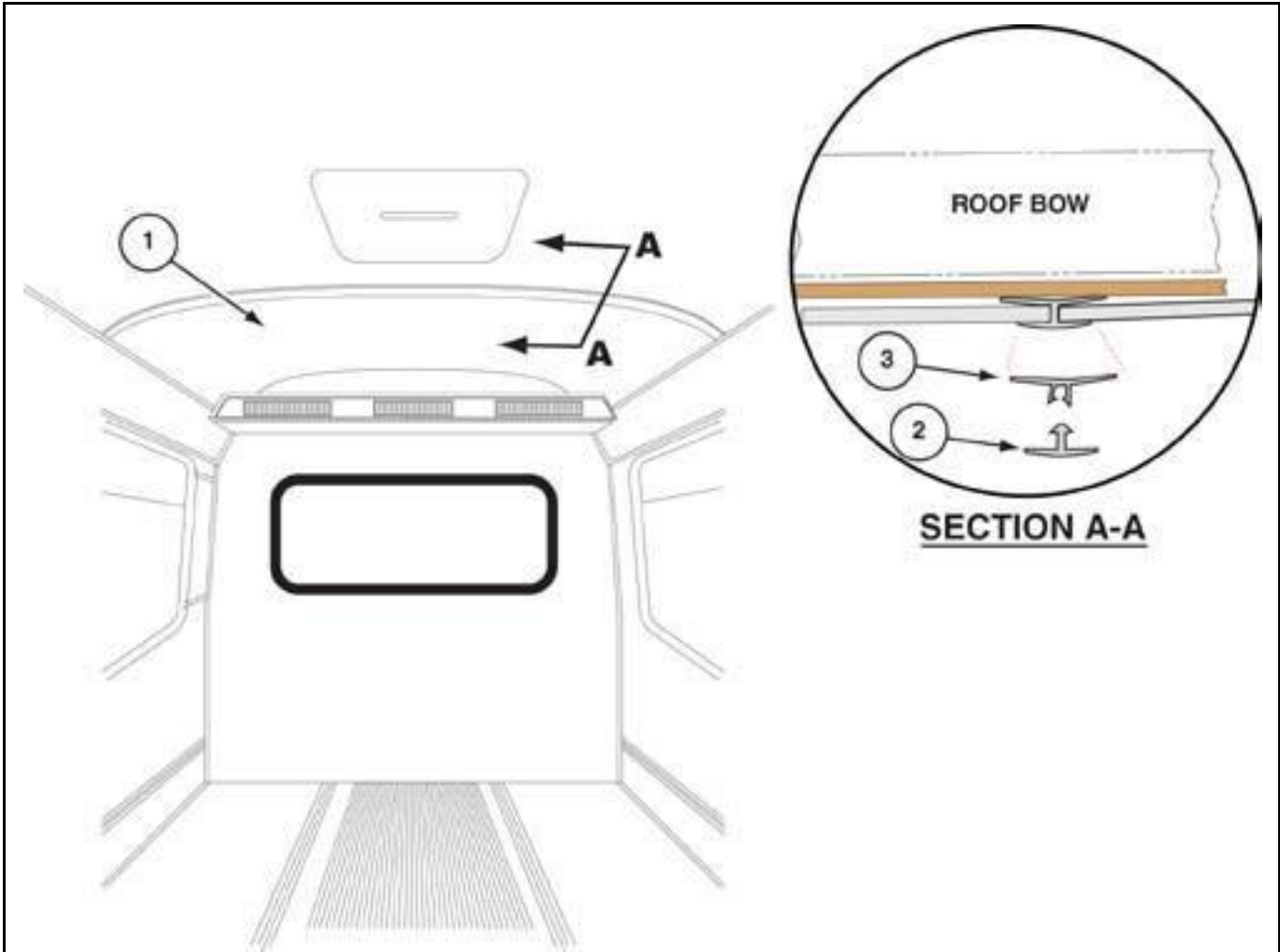




## London smoke sidewall panels all assemblies

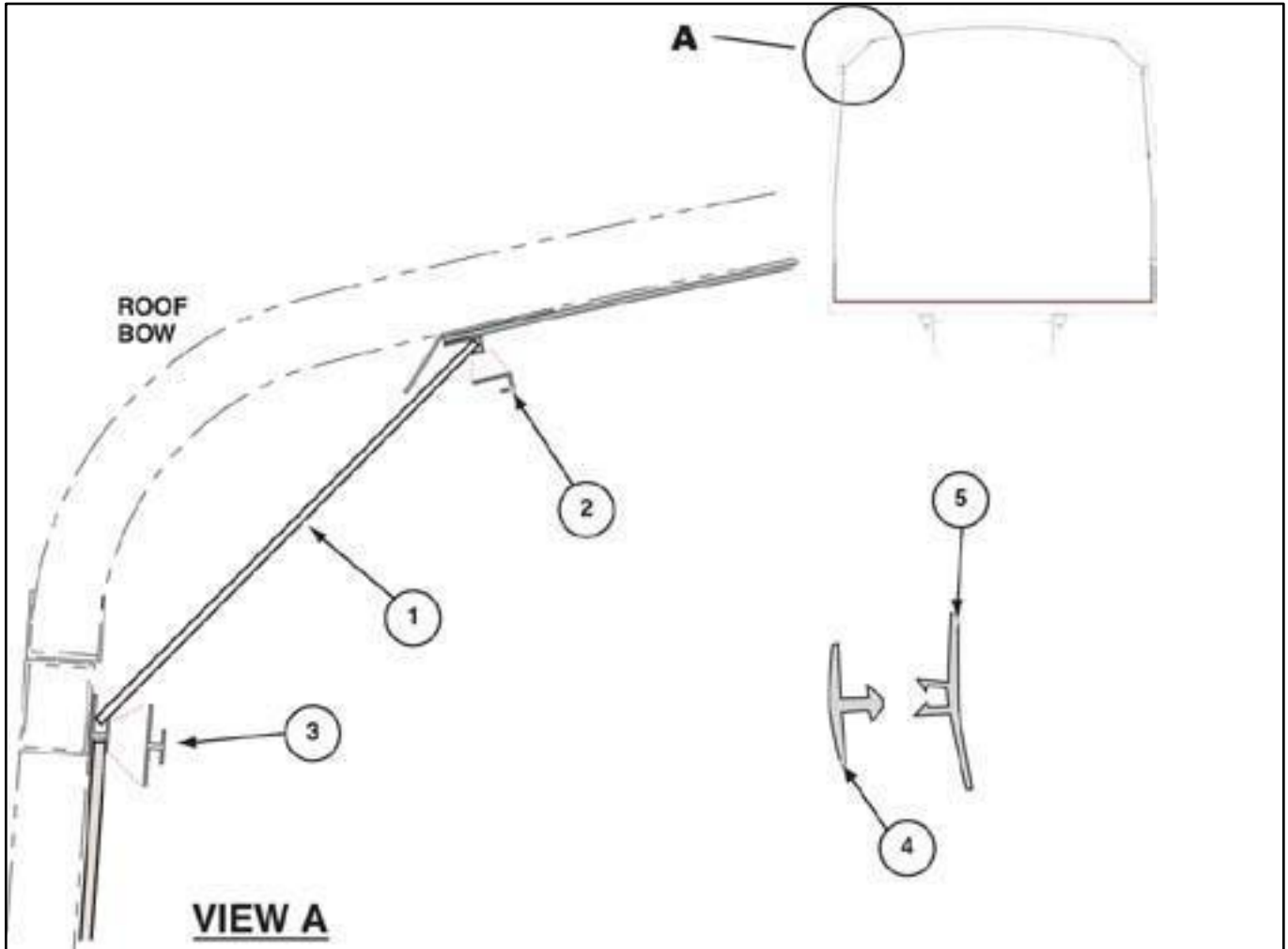
<i>ITEM</i>	<i>PART NO.</i>	<i>DESCRIPTION</i>	<i>QTY</i>	<i>ITEM</i>	<i>PART NO.</i>	<i>DESCRIPTION</i>	<i>QTY</i>
01	0970052	Panel, London Smoke 3.6 (4 x 8)	AR				
02	3370368	Molding, H F101-Grey	AR				
03	4570144	Cap, End "J" .19 1/4"x 16' Mill	AR				





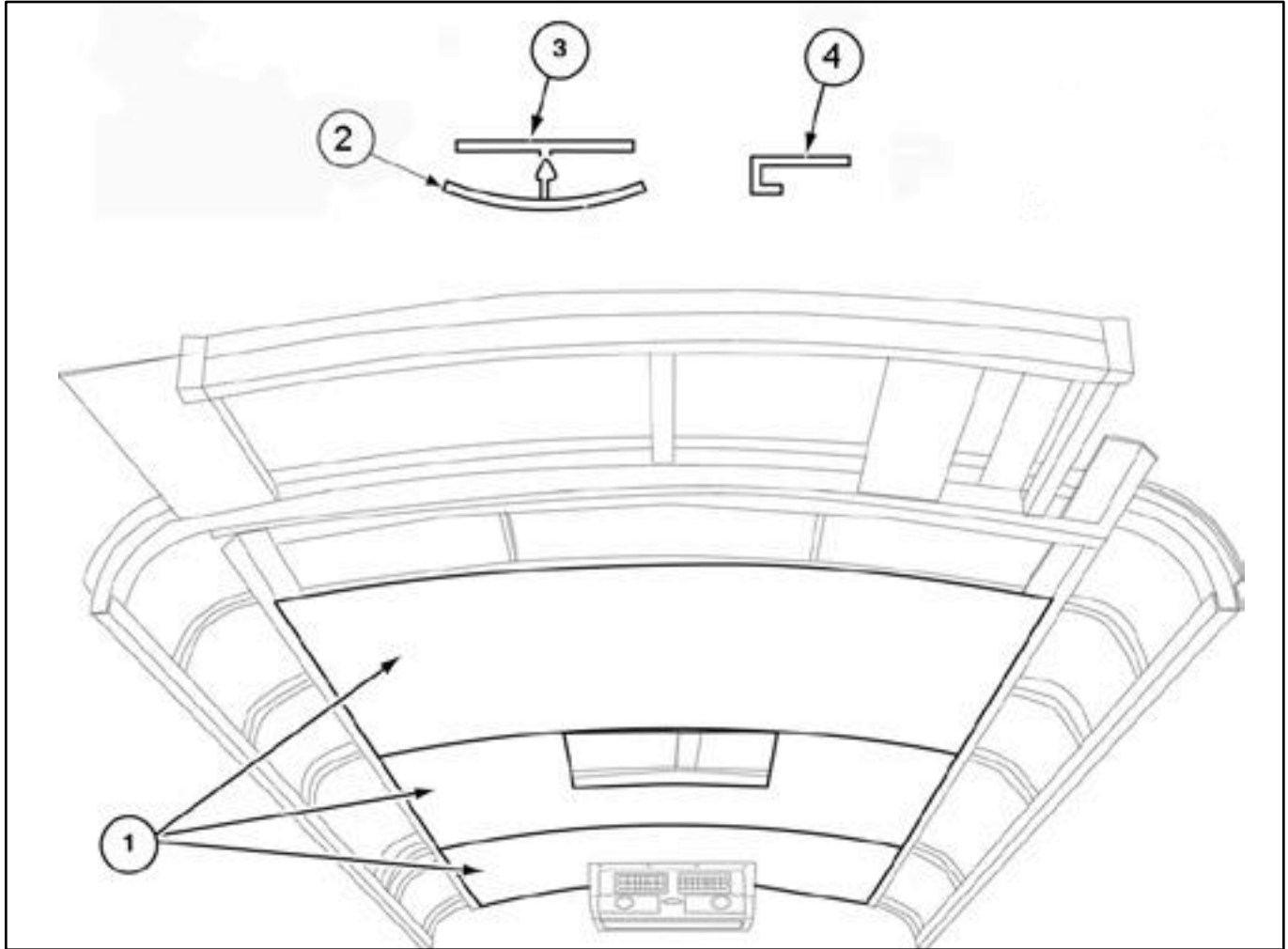
## CARLSBAD Smoke Ceiling Panels ALL ASSEMBLIES

ITEM	PART NO.	DESCRIPTION	QTY	ITEM	PART NO.	DESCRIPTION	QTY
01	0970144	PANEL, CARLSBAD SMOKE 47.75 x 70	A/R				
	0970145	PANEL, CARSBAD SMOKE 48 x 96	A/R				
02	3370990	BATTEN 1.5 x 7 RN457-C-232-7 GRAY	A/R				
03	3370376	RETAINER, BATTEN 8'(RN 391X)	A/R				



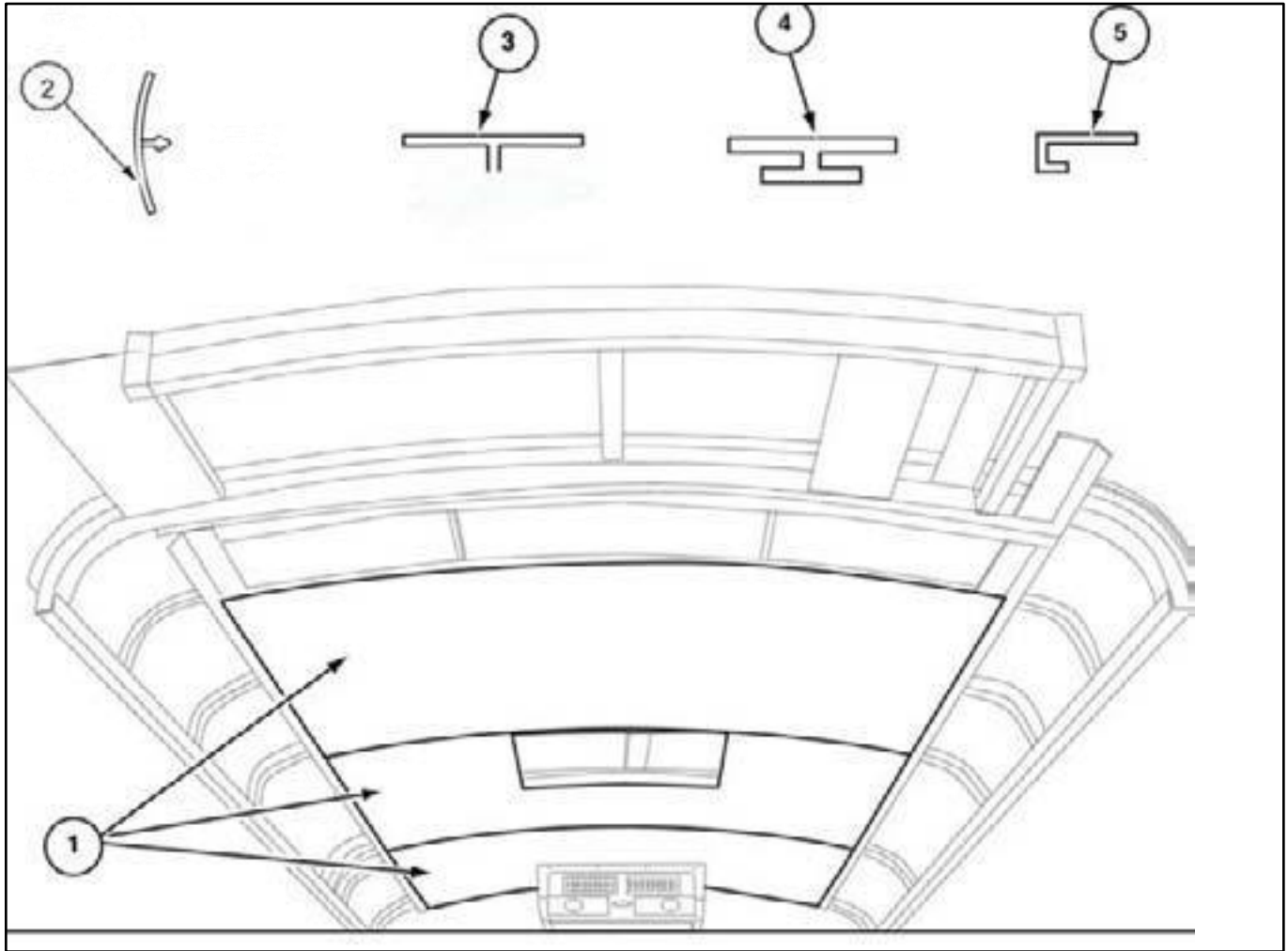
## London Smoke Lightbar aLL aSSembLies

<i>ITEM</i>	<i>PART NO.</i>	<i>DESCRIPTION</i>	<i>QTY</i>	<i>ITEM</i>	<i>PART NO.</i>	<i>DESCRIPTION</i>	<i>QTY</i>
01	0970052	Panel, London Smoke 3.6 (4 x 8)	A/R				
02	4570144	Cap, End "J" (.19 ¼" x 16') Mill Finish	A/R				
03	4570137	Bar, Divider, "H" 1/4" #2039 16' Gray	A/R				
04	3370990	Batten (1½" x 7")	A/R				
05	3370376	Retainer, Batten 8' (RN 391X)	A/R				



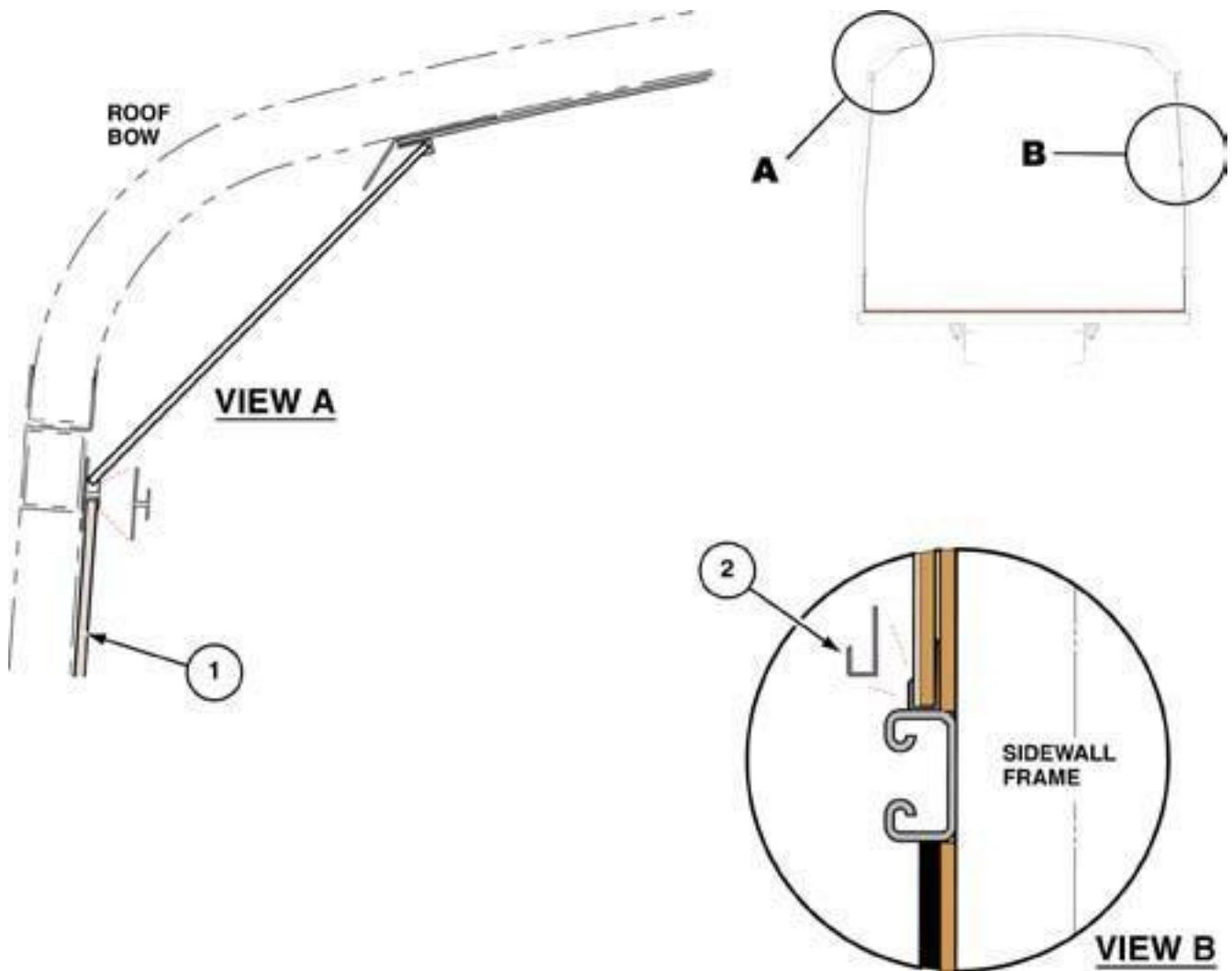
## Ceiling Vinyl Clad CH250 assembly 3227C

<i>ITEM PART NO. DESCRIPTION</i>	<i>QTY</i>	<i>ITEM PART NO. DESCRIPTION</i>	<i>QTY</i>
1 0970119 Panel, Vinyl Clad Luan 4 x 8 Sheet	AR	<b>APPLIES TO THE FOLLOWING ASSEMBLIES:</b>	
0970120 Panel, Vinyl Clad to Luan 4 x 70"	AR		
2 4340329S Batton, Flat 74" Moonbeam	AR		CH-223-900-3227C
3 4370048 Joiner, Strip Moonbeam H	AR		CH-250-900-3227C
04 4570144 Cap, End "J" .19 1/4" x 16' Grey	AR	DF-310-900-3227C	



## FRP Ceiling All ASSEMBLIES

<i>ITEM PART NO. DESCRIPTION</i>	<i>QTY</i>	<i>ITEM PART NO. DESCRIPTION</i>	<i>QTY</i>
1 0970058 Filon, Reinforced 48x70 Epoxy	A/R		
2 3371213 REV-A; Batton 1½x7 Gloss White	A/R		
3 3370376 Retainer, Batten (RN 391X)	A/R		
04 4570137 Bar, Divider "H" 1/4" #2039-16'	A/R		
05 4570144 Cap, End "J" .19 1/4" x 16'	A/R		
NS 3350543 Trim, Bus Corner	A/R		



## frp interior panels all asseMBlies

<i>ITEM PART NO. DESCRIPTION</i>	<i>QTY</i>	<i>ITEM PART NO. DESCRIPTION</i>	<i>QTY</i>
01 0970059 Filon, Reinforced (48 x 96)	A/R		
02 4570144 "J"-End Cap (.19 x 1/4 x 16')	A/R		
NS 3370368 Molding, H F101-Gray	A/R		
NS 3350543 Trim, Bus Corner	A/R		

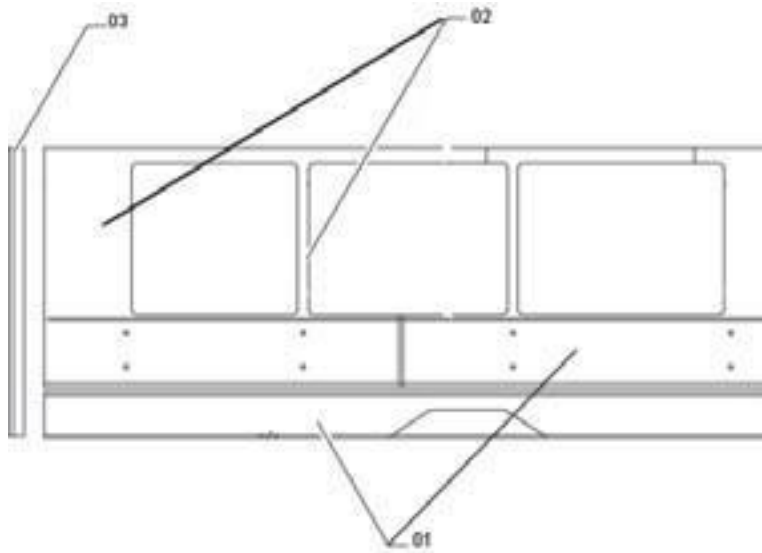


## FEATURE PANEL (CEILING)

### -0906 / 80906

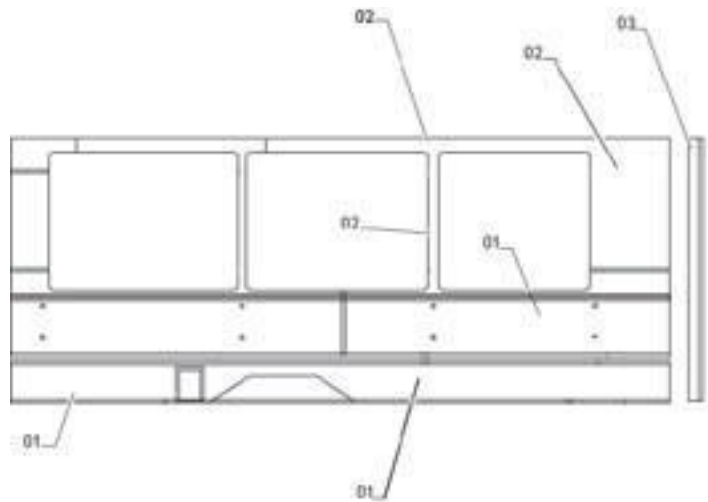
<u>ITEM PART NO. DESCRIPTION</u>	<u>QTY</u>	<u>ITEM PART NO. DESCRIPTION</u>	<u>QTY</u>
01 7371210 Fabric, Generic Feature Panel	A/R	<b><i>Applies to the Following Assemblies:</i></b>	
N/S 0970003 Plywood, 3/8 x 48 x 96 AC Fir	A/R		AM2500080906
N/S 8570697 Staple, CO3 Baapm Silver	A/R		BG3100080906
		BG3400080906	
		CH2200080906	
		CH2700080906	
		CT3800080906	
		DF2900080906	
		DF3100080906	
		BG-340-900-0906	
		CH-220-900-0906	
		CT-300-900-0906	
		CT-380-900-0906	
		DF-290-900-0906	
		DF-293-900-0906	
		DF-310-900-0906	

**NOTE: Color & pattern will vary.**



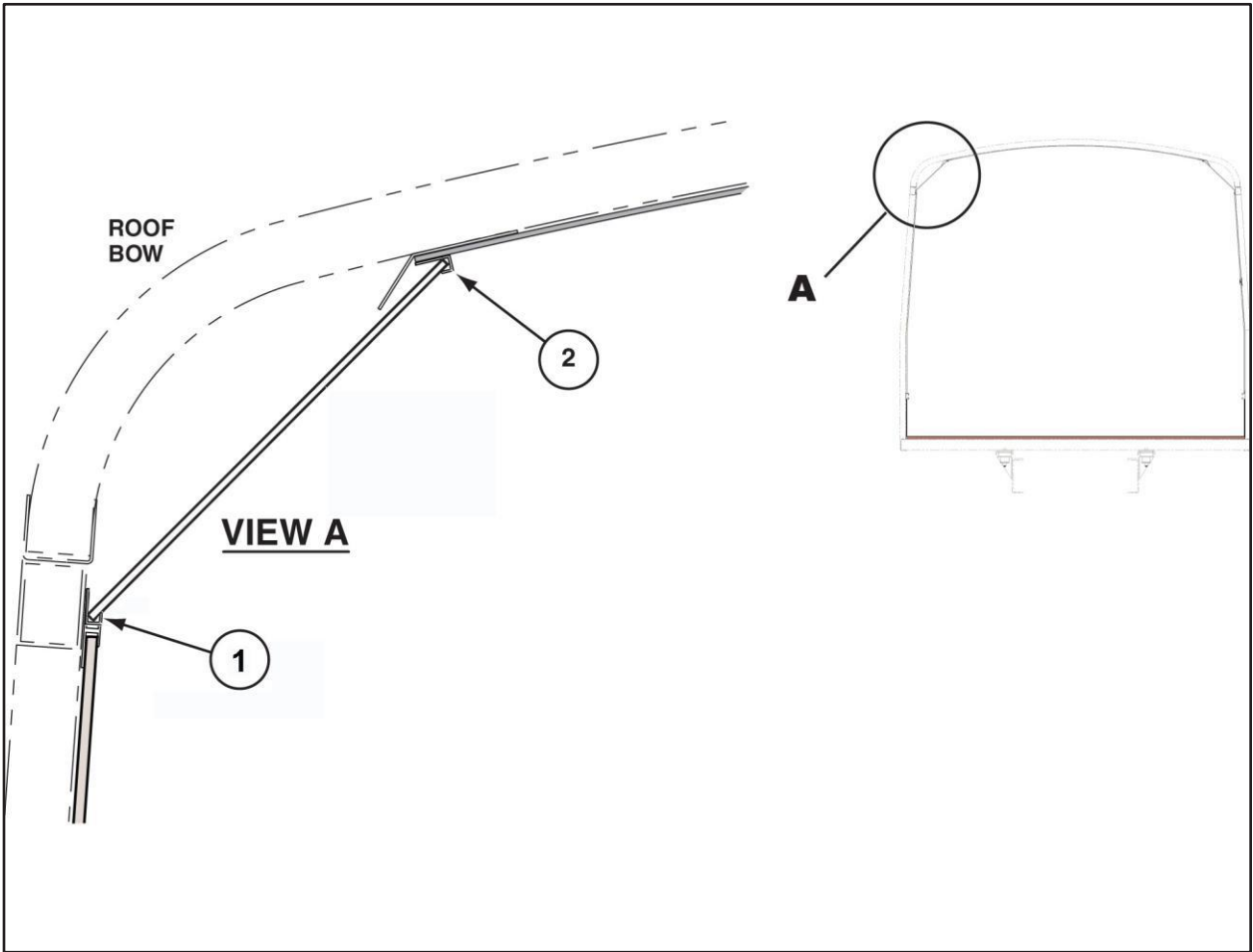
CURBSIDE INTERIOR

ROADSIDE INTERIOR



## DELUXE CARPETED WALLS (GRAY) 0900G

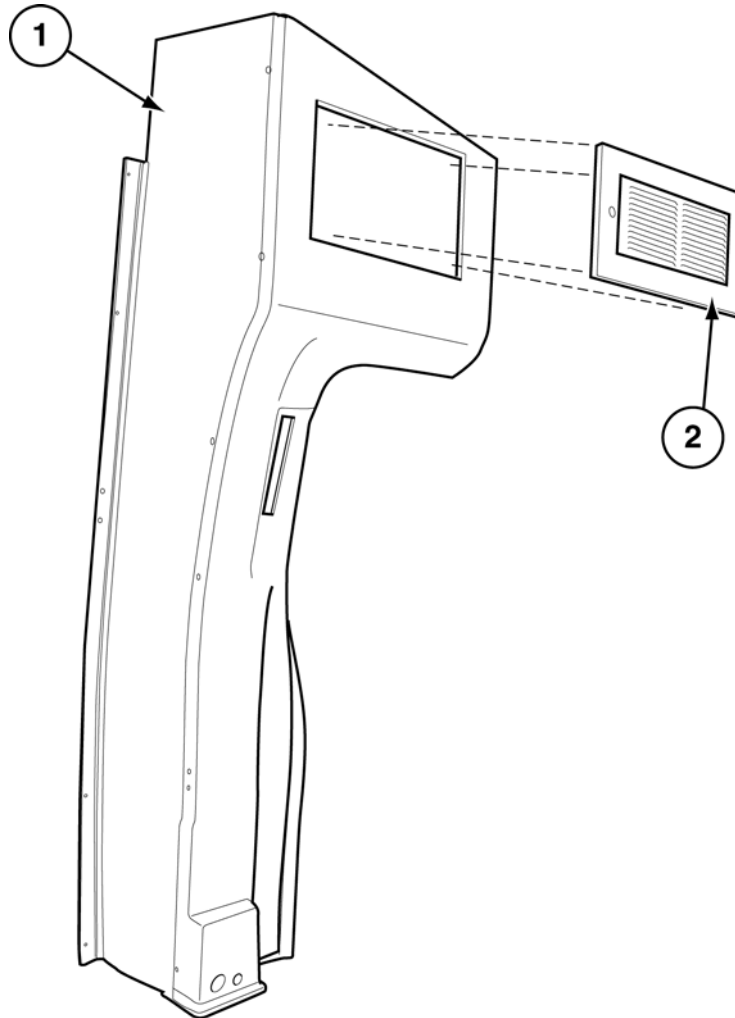
<i>ITEM PART NO. DESCRIPTION</i>	<i>QTY</i>	<i>ITEM PART NO. DESCRIPTION</i>	<i>QTY</i>
01 1570203 Carpet, Up-Tempo Misted Granite	AR	<b>REFERS TO THE FOLLOWING ASSEMBLIES:</b>	
03 4570144 Cap, End "J" .19¼" x 16' Gray	AR		<b>CH-221-900-0900G</b>
NS 0970014 Lauan, Raw 3.6 mm x 48 x 96	AR		<b>CH-250-900-0900G</b>
NS 4370057 Laminate, Graphite Nebula 48 x 96	AR		<b>CH-280-900-0900G</b>
		<b>CT-333-900-0900G</b>	
		<b>CT-380-900-0900G</b>	
		<b>DF-290-900-0900G</b>	
		<b>DF-293-900-0900G</b>	
		<b>DF-310-900-0900G</b>	
		<b>DF-311-900-0900G</b>	



**INTERIOR AD FRAMES - WIRE BAR**  
**0404390**

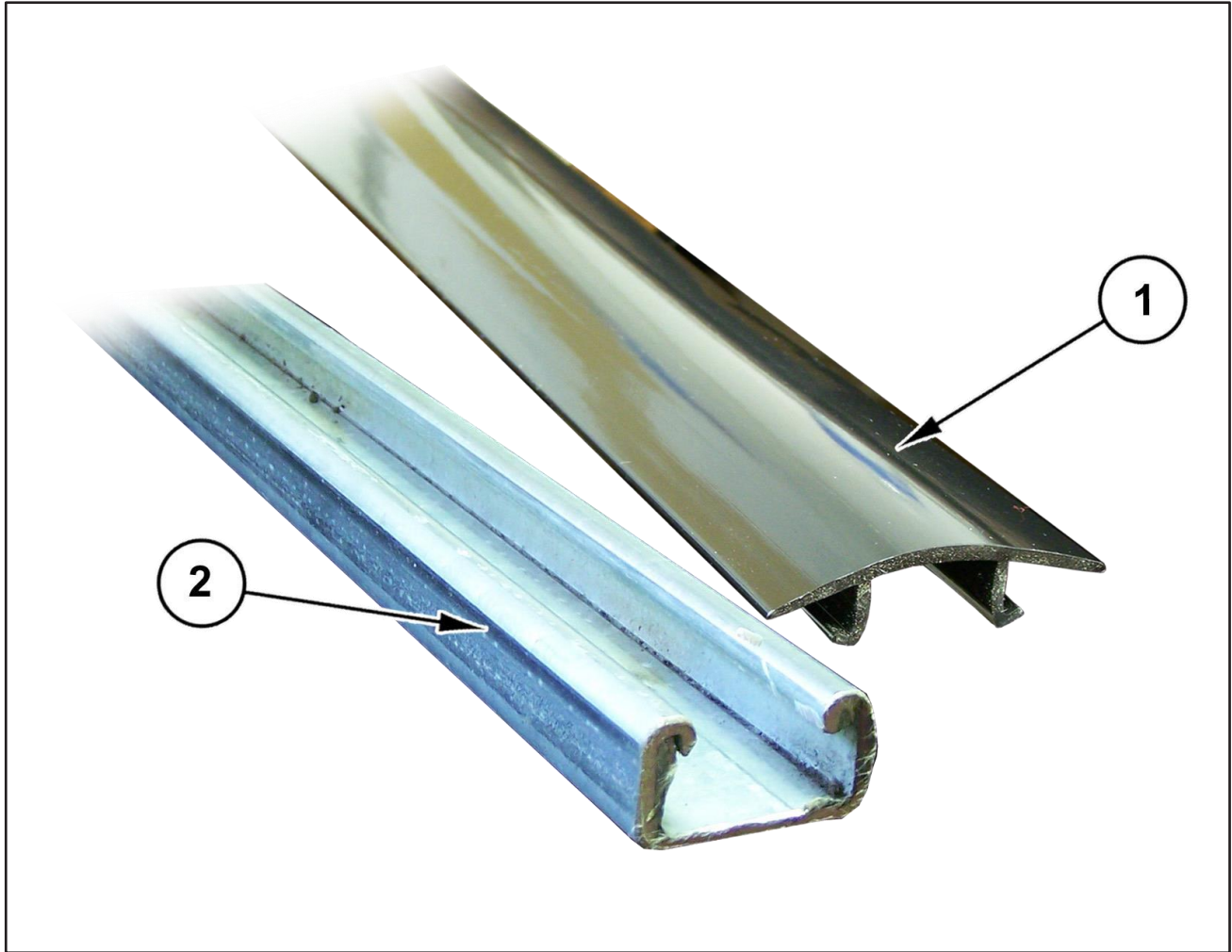
<i>ITEM PART NO.</i>	<i>DESCRIPTION</i>	<i>QTY</i>	<i>ITEM PART NO.</i>	<i>DESCRIPTION</i>	<i>QTY</i>
01	4570142 CAP,END "J".193/16x16' MILL FINISH	8			
02	4570140 CAP,END "J".19-3/16x16'#2900 MILL FIN	8			
N/S	8570412 RIVET,POP 1/8x.325-.500 GRP S/S	60			





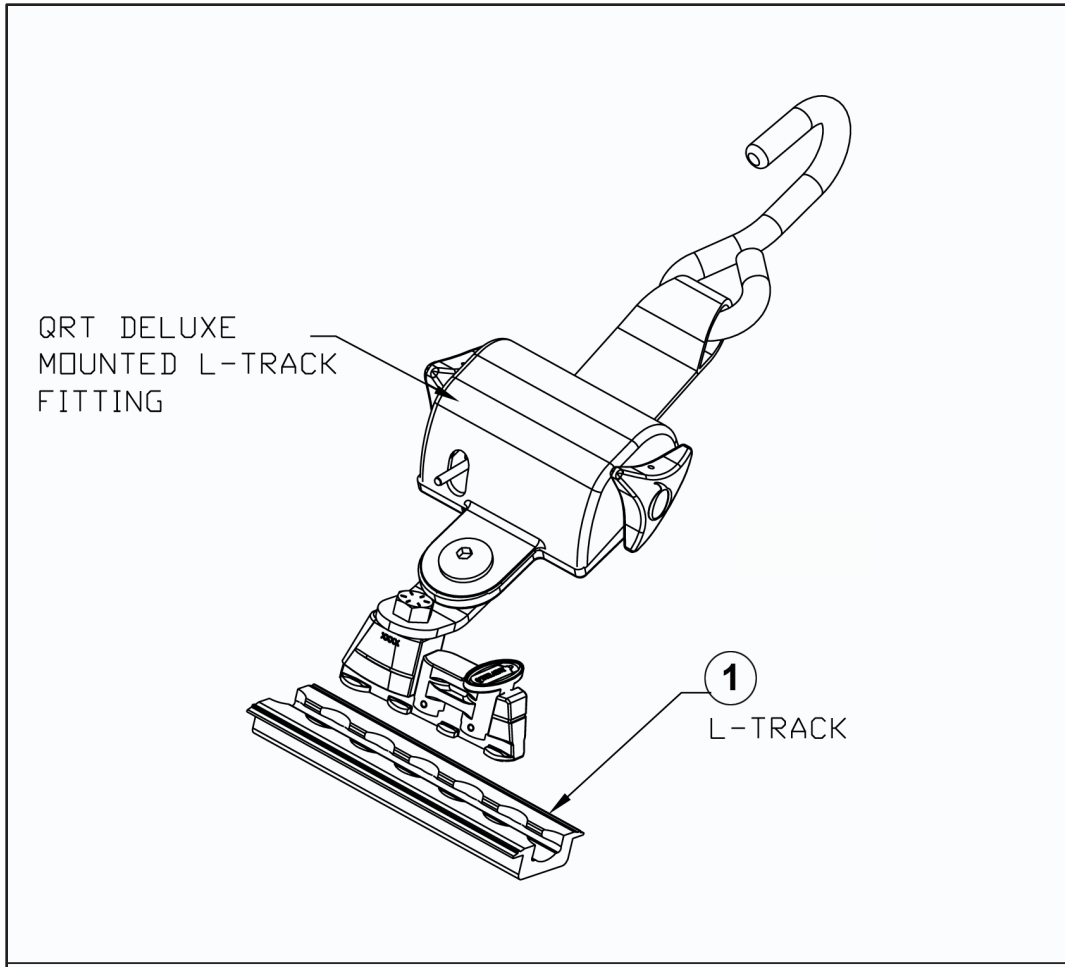
**L/H DOOR POST ABS**  
**CH-250-800 - 0409831**

<i>ITEM</i>	<i>PART NO.</i>	<i>DESCRIPTION</i>	<i>QTY</i>	<i>ITEM</i>	<i>PART NO.</i>	<i>DESCRIPTION</i>	<i>QTY</i>
1	3371432	TRIM PANEL, LH DOOR POST	1				
2	3370932	DOOR, ELECTRICAL PANEL ACCESS	1				
N/S	4970476	HINGE, CONCEALED	1				
N/S	1770683	GRILL, A/C	2				



## track seating - entire bus 2010

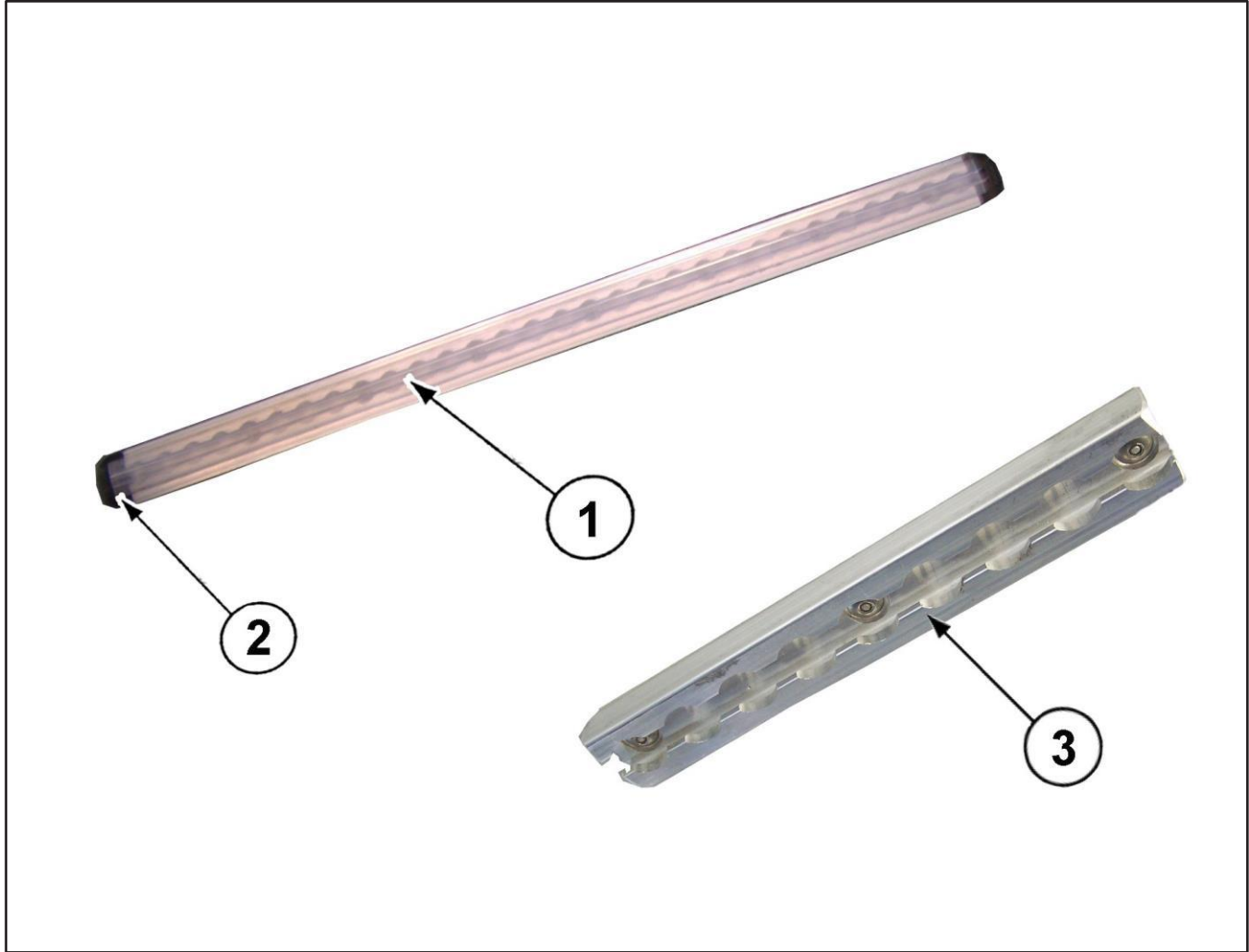
<i>ITEM PART NO. DESCRIPTION</i>	<i>QTY</i>	<i>ITEM PART NO. DESCRIPTION</i>	<i>QTY</i>
01 3371138 Cover, Channel Seat 8'	A/R	<b>INCLUDES THE FOLLOWING ASSEMBLY NO'S:</b>	
02 0377052 Channel, Seat Track 10' HR Steel	A/R	CR-210-900-2010	DF-310-900-2010
		CR-211-900-2010	DF-290-900-2010
		CR-213-900-2010	
		CH-210-900-2010	
		CH-211-900-2010	
		CH-230-900-2010	
		CH-250-900-0210	
		CH-251-903-2010	
		CH-251-902-2010	
		CH-270-900-2010	
		CT-271-902-2010	
		CT-330-999-2010	
		BG-340-900-2010	
		DF-250-900-2010	
		DF-270-900-2010	



## I-track front to back

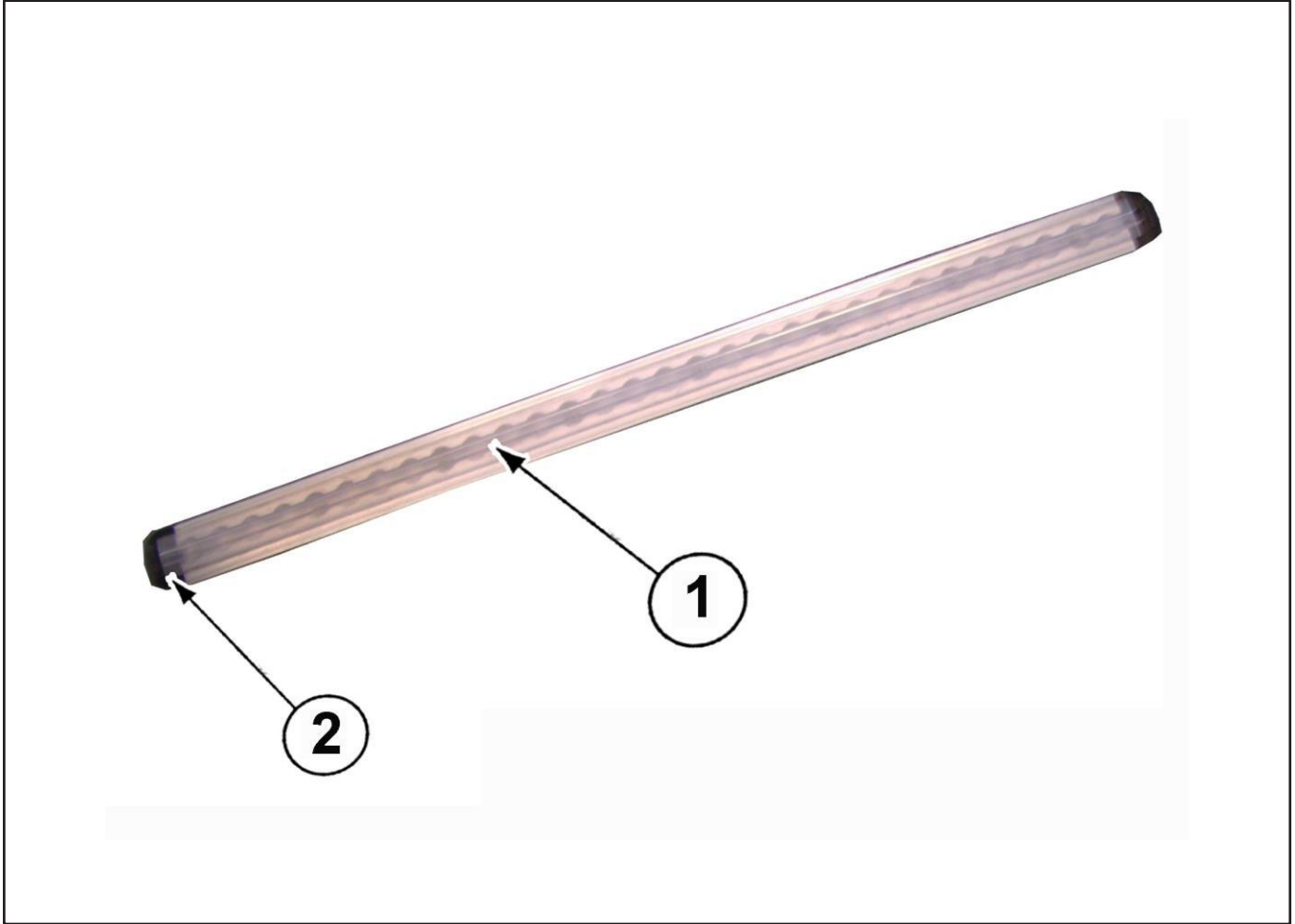
### cx0000061057

<i>ITEM PART NO. DESCRIPTION</i>	<i>QTY</i>	<i>ITEM PART NO. DESCRIPTION</i>	<i>QTY</i>
01 7371215 TRACK, TIEDOWN ALUM-L W/FLANGE	A/R		
N/S 4570061 TRACK, TIEDOWN ALUM-L W/O FLANGE	A/R		



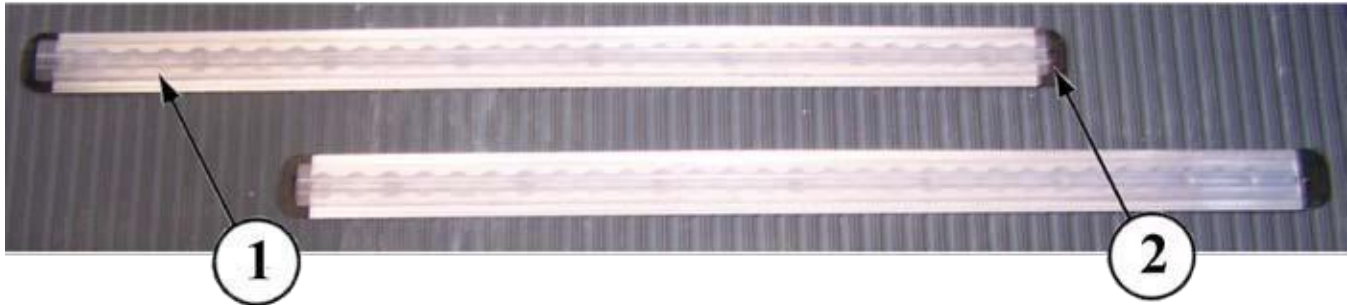
**I-track full length of bus**  
**cx0000060047**

<i>ITEM PART NO. DESCRIPTION</i>	<i>QTY</i>	<i>ITEM PART NO. DESCRIPTION</i>	<i>QTY</i>
1 4570061 Track, Tiedown Alum.-L W/O Flnge	2		
2 7371133 End, Floor Track - Black	AR		
3 7371215 Track, Tiedown Alum.-L W/Flange	5		
NS 0348250 Steel, Flat 11GA x 3 x 10'	10		



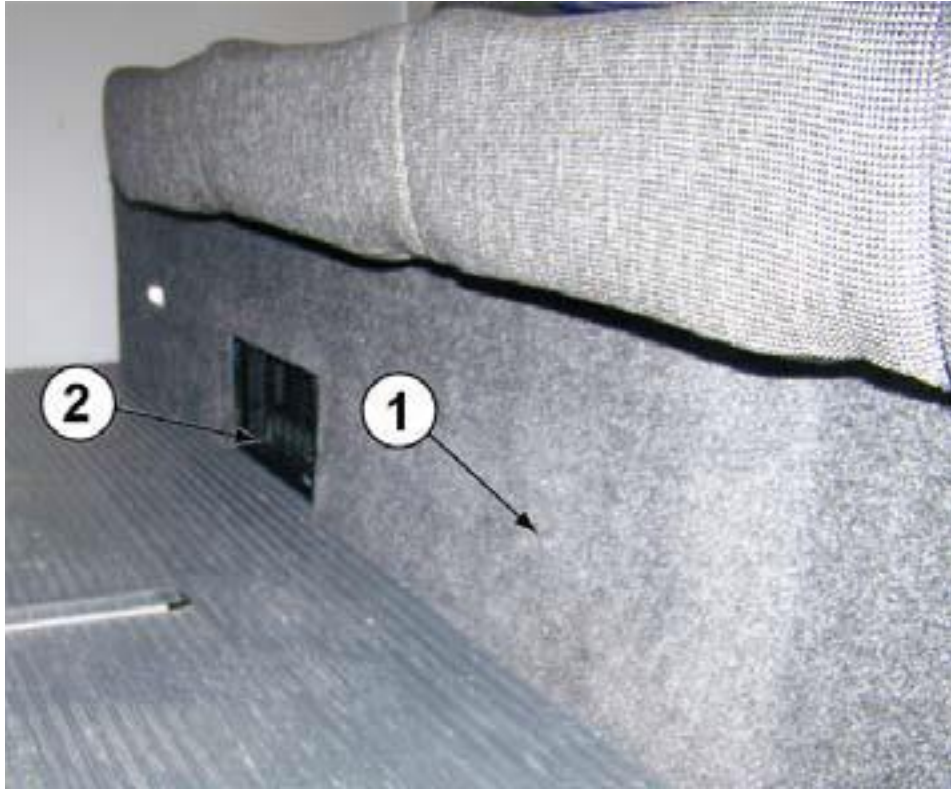
**aluminum Tiedown Track w/o flange**  
**cX0000061056**

<i>ITEM PART NO. DESCRIPTION</i>	<i>QTY</i>	<i>ITEM PART NO. DESCRIPTION</i>	<i>QTY</i>
1 4570061 Track, Tiedown Alum WO Flange	AR		
2 7371133 End, Floor Track - Black	AR		



## Wheelchair track 0415129

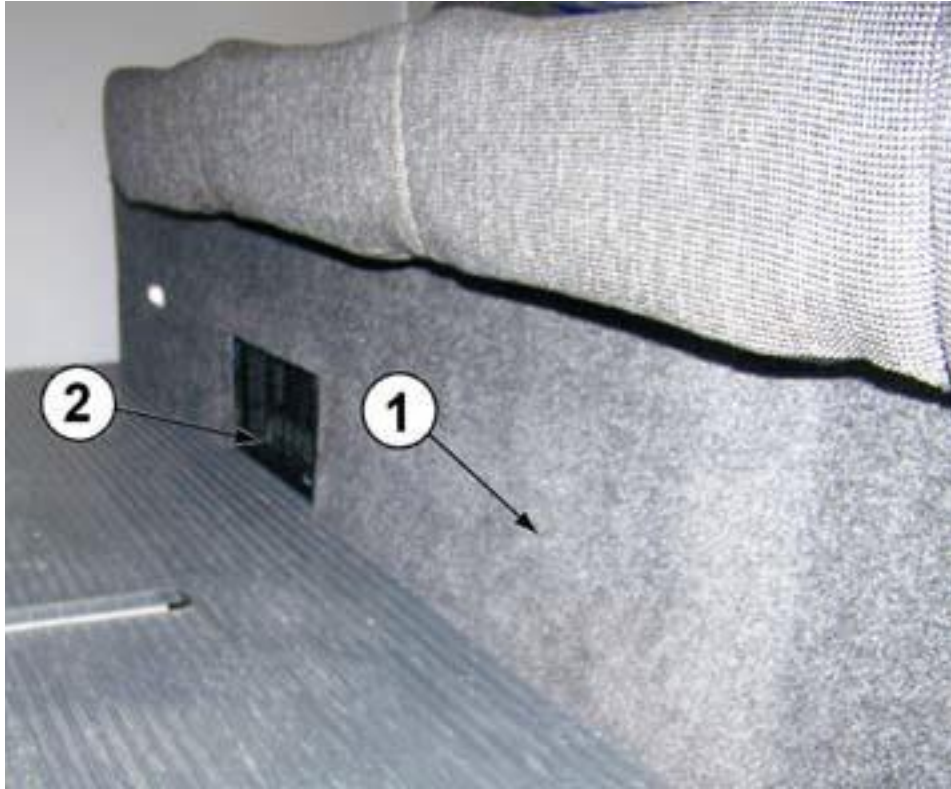
<i>ITEM PART NO. DESCRIPTION</i>	<i>QTY</i>	<i>ITEM PART NO. DESCRIPTION</i>	<i>QTY</i>
01 0374644 Steel, Flat 11 GA 4"x120"	A/R		
02 7371133 End, Floor Track - Black Plastic	4		
N/S 7371215 Track, Tiedown Aluminum - L	A/R		
N/S 3370046 Insert, Clear Seat Track x 96.0	A/R		



## kick panels & air return Grille

### 0403478 / 0404311 / 0411142

<u>ITEM</u>	<u>PART NO.</u>	<u>DESCRIPTION</u>	<u>QTY</u>	<u>ITEM</u>	<u>PART NO.</u>	<u>DESCRIPTION</u>	<u>QTY</u>
		<b>0403478 Install, Kick Panel 45" 1 Dbl.</b>	<b>3</b>			<b>0404311 Install, Kick Panel 60" 1 Dbl 1 Single</b>	<b>1</b>
01	1570211	Carpet, Aqua Turf Gray Metallic #585	.5	1	1570211	Carpet, Aqua Turf Gray Metallic #585	1
NS	0374644	Steel, Flat 11GA x 4 x 10'	1	NS	0376528	Bracket, Heater Perimeter Seat	2
NS	0970014	Lauan, Raw 3.6 x 48 x 96.0	AR			Same as Option #0404309 listed above.	
NS	8570768	Screw, 8 x 1½ Pan Quad Black Oxide	10				
		<b>0411142 Install, Grille, Return Air Black ACC</b>					
2	1771698	Grille, Return Air Black ACC					1



## kick panels & air return Grille

### 0404309 / 0404311 / 0411142

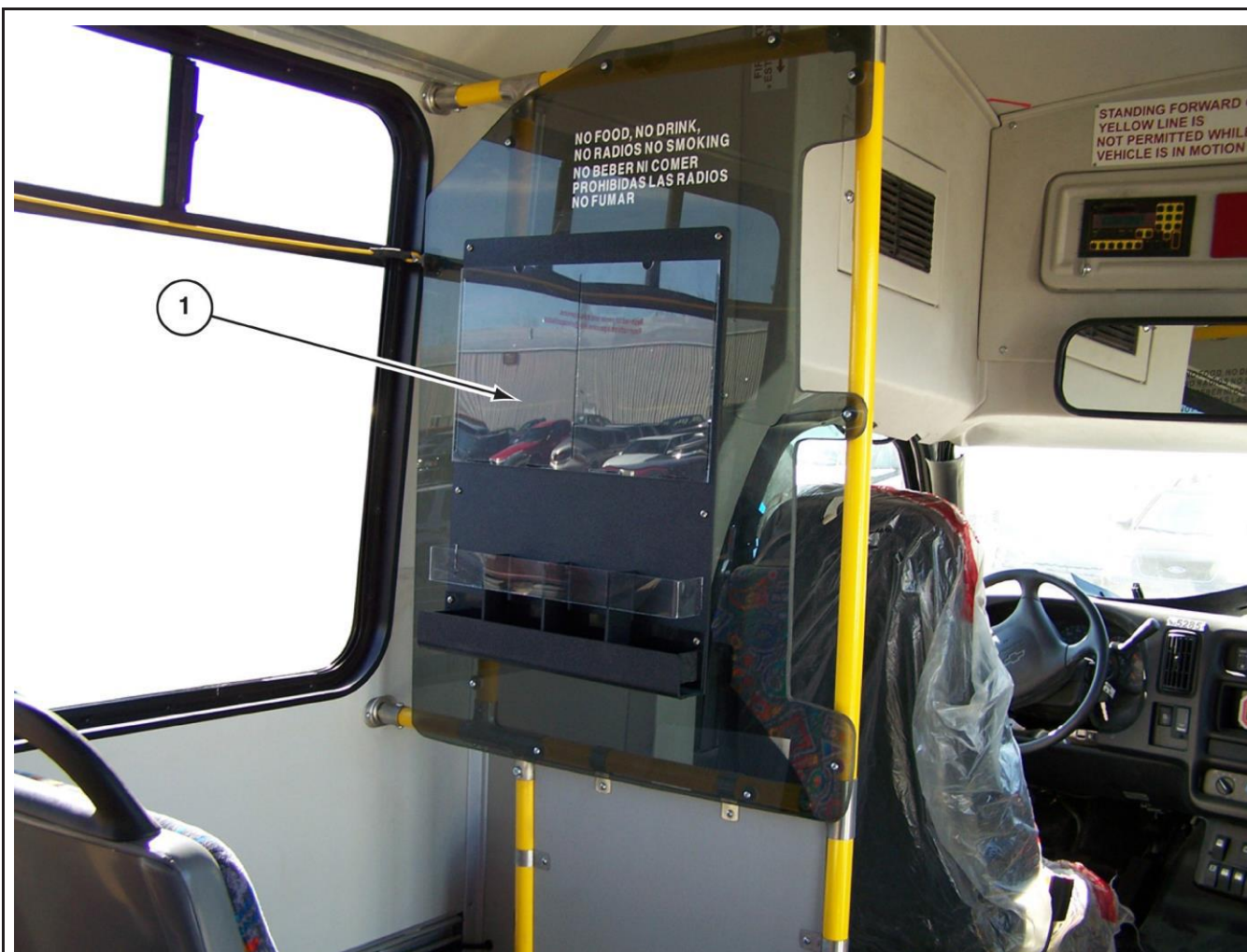
<i>ITEM</i>	<i>PART NO.</i>	<i>DESCRIPTION</i>	<i>QTY</i>	<i>ITEM</i>	<i>PART NO.</i>	<i>DESCRIPTION</i>	<i>QTY</i>
		<b>0404309 Install, Kick Panel 84" 2 Dbls.</b>	<b>3</b>			<b>0404311 Install, Kick Panel 60" 1 Dbl 1 Single</b>	<b>1</b>
01	1570211	Carpet, Aqua Turf Gray Metallic #585	1	1	1570211	Carpet, Aqua Turf Gray Metallic #585	1
NS	0374644	Steel, Flat 11GA x 4 x 10'	1	NS	0376528	Bracket, Heater Perimeter Seat	2
NS	0970014	Lauan, Raw 3.6 x 48 x 96.0	AR			Same as Option #0404309 listed above.	
NS	8570768	Screw, 8 x 1½ x Pan Quad Black Oxide	16			<b>0411142 Install, Grille, Return Air Black ACC</b>	
NS	8570616	Bolt, Hex 5/16-18 x 1¼ GR8 Plated	2	2	1771698	Grille, Return Air Black ACC	1



**PICTURE NOT AVAILABLE AT THIS TIME**

**HEATER BRACKET foR pERimETER sEATs  
0421256**

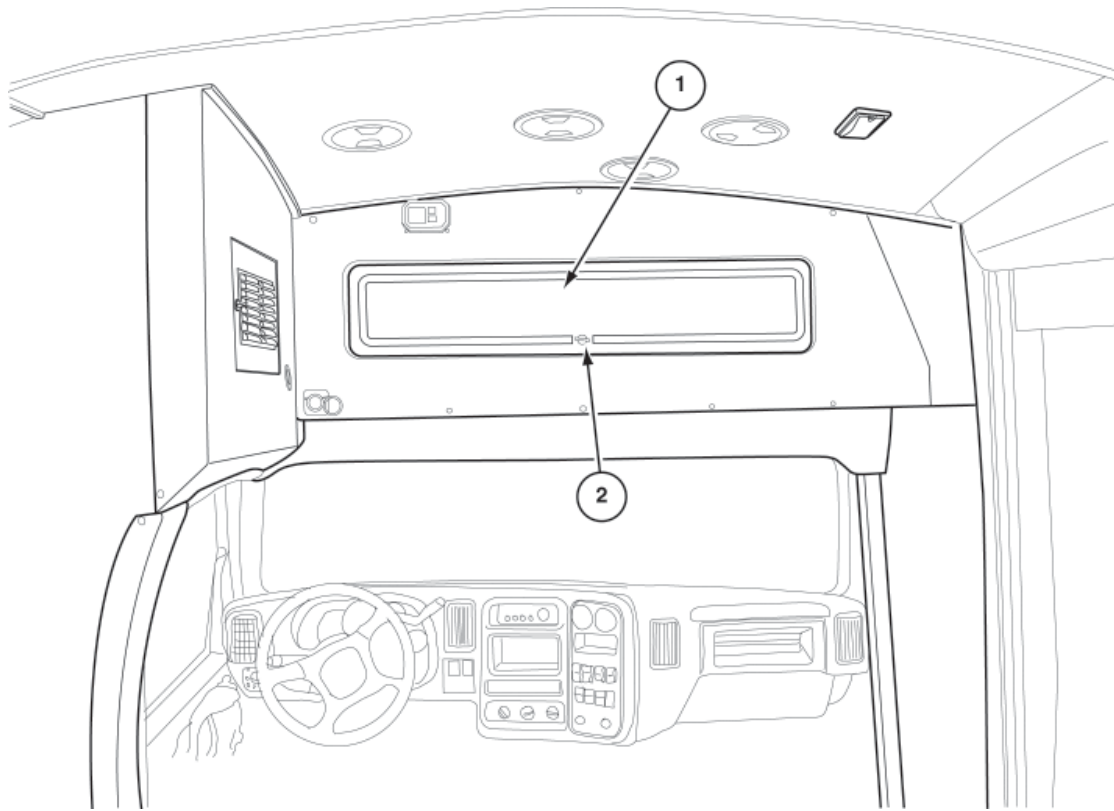
<i>ITEM</i>	<i>PART NO.</i>	<i>DESCRIPTION</i>	<i>QTY</i>	<i>ITEM</i>	<i>PART NO.</i>	<i>DESCRIPTION</i>	<i>QTY</i>
01	0376528	Bracket, Heater Perimeter Seat	1				



## message center & ad card holder

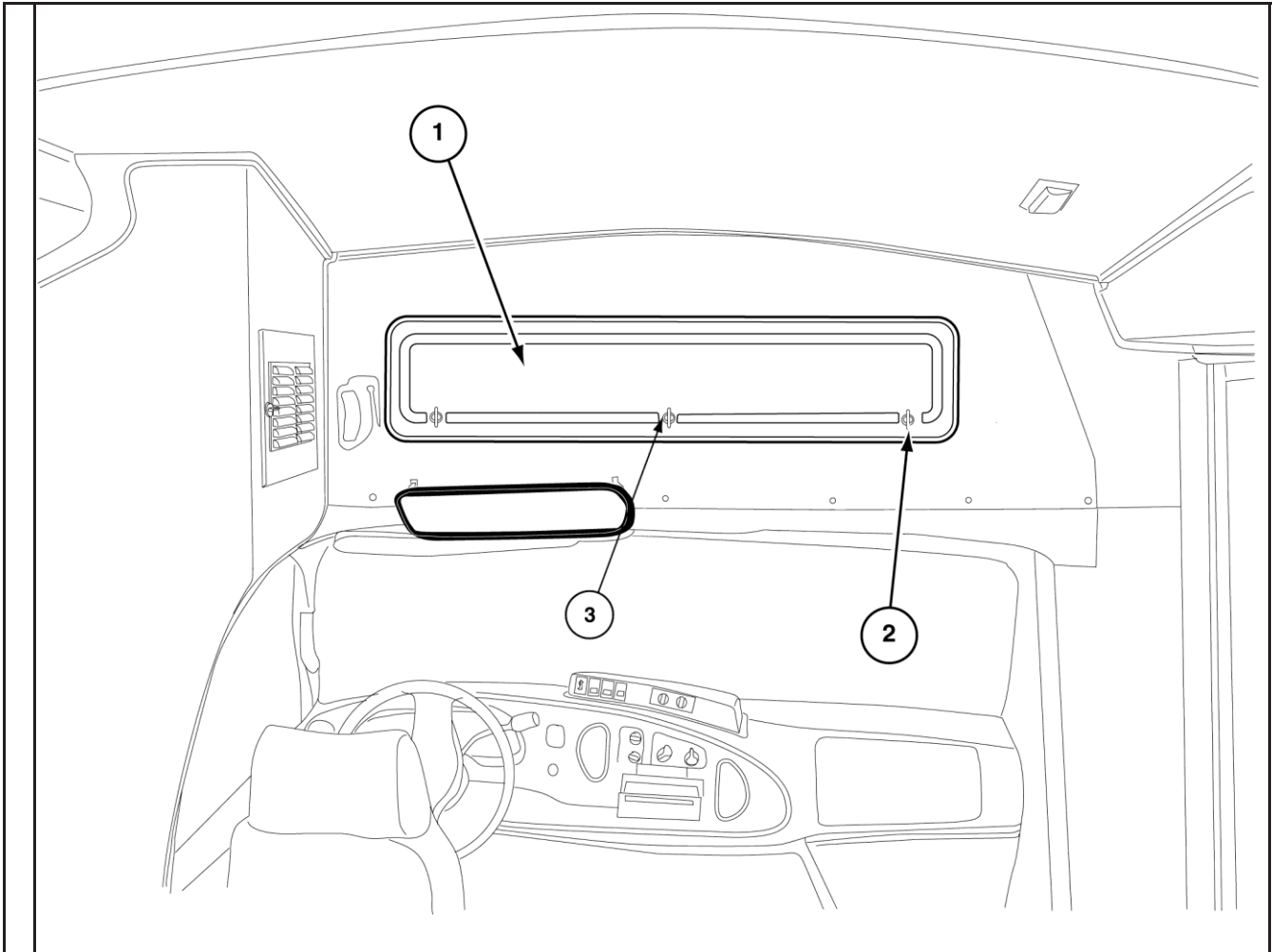
0414352 / 0415612 / 0415525

ITEM PART NO.	DESCRIPTION	QTY	ITEM PART NO.	DESCRIPTION	QTY
01	4970685 HOLDER,MESSAGE (3" x 18" x 24")	1			
N/S	8571333 KEEPER,AD CARD (10-7/8" x 1")	1			
N/S	4970670 LITERATURE,RACK HOLDER CLEAR HORIZ.	1			



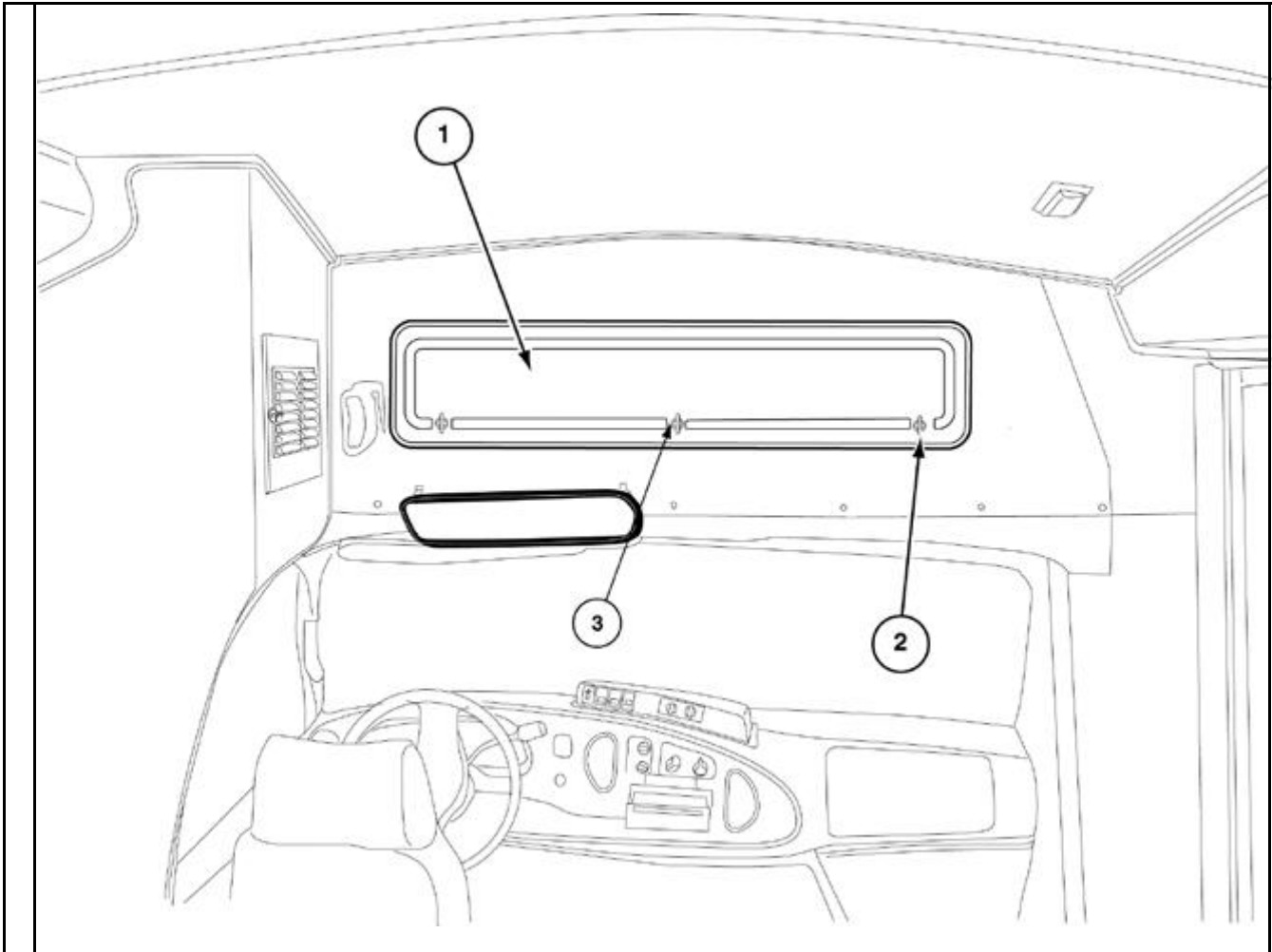
**FRONT GLOVE BOX LOCKING**  
**CR-000-900-0703L**

<i>ITEM PART NO. DESCRIPTION</i>	<i>QTY</i>	<i>ITEM PART NO. DESCRIPTION</i>	<i>QTY</i>
1 3370939 DOOR, DESTINATION CHALLENGER	1		
2 5340393 LOCK, KEYED ASSEMBLY	1		



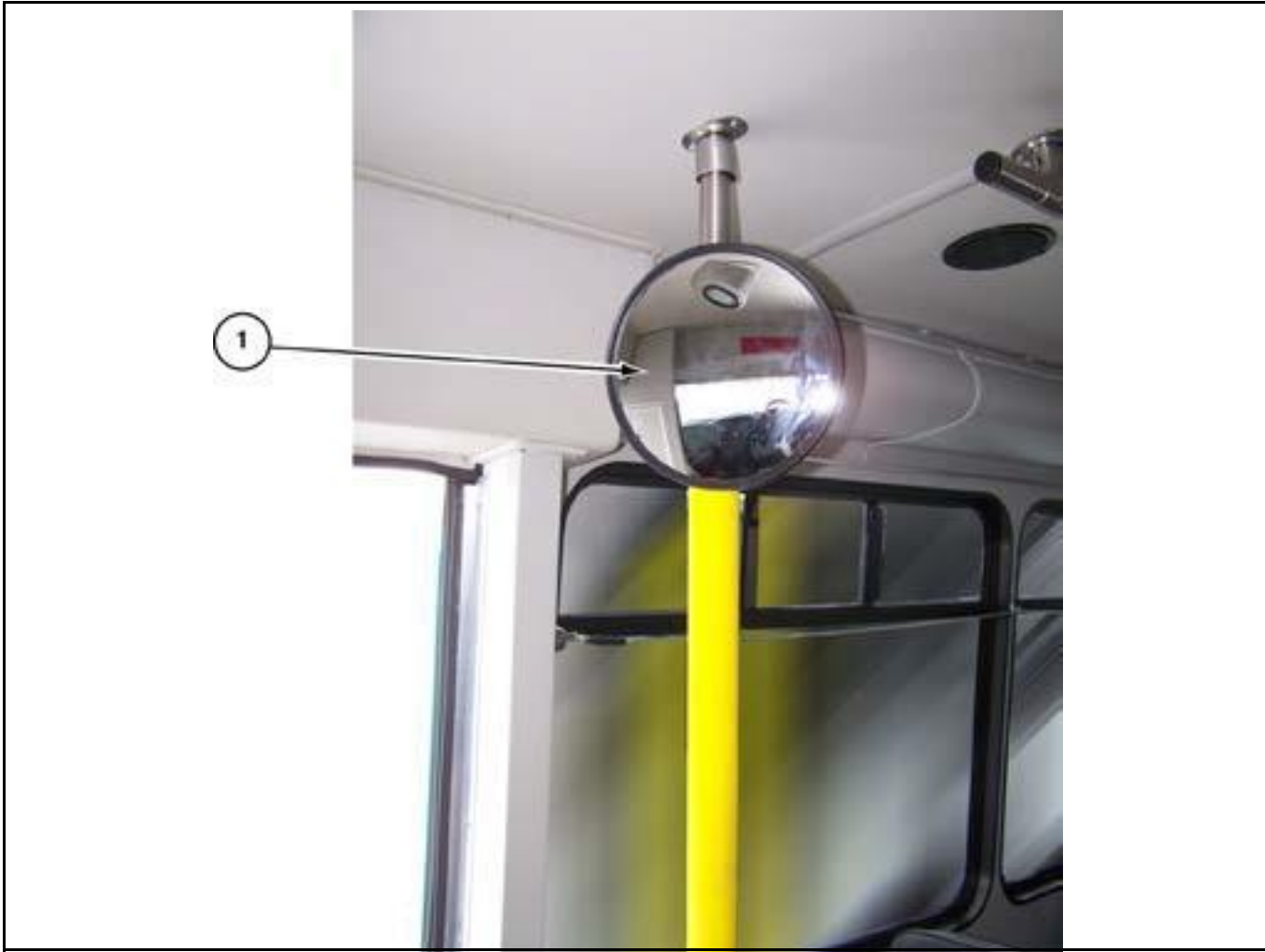
**glove box & Destination sign Door - locking**  
**ch000080008 / 0403577 / 0403576 / ch-000-900-0703I**

<i>ITEM PART NO. DESCRIPTION</i>	<i>QTY</i>	<i>ITEM PART NO. DESCRIPTION</i>	<i>QTY</i>
<b>0403577 INSTALL, DEST SIGN DOOR - LOCKING</b>		<b>0403576 INSTALL, FRONT GLOVE BOX</b>	
1 3370939 DOOR, DESTINATION SIGN	1	03 5340393 LOCK, KEYED ASSEMBLY	1
N/S 3370798 GUARD, DOOR EDGE	A/R	N/S 8570768 SCREW, (8 x 1½) PAN QUAD BLACK OXIDE	6
N/S 4970476 HINGE, CONCEALED	3		
2 4941520 THUMB-LOCK, COMPLETE	3		
3 5340393 LOCK, KEYED ASSEMBLY	1		
N/S 8570668 SPUR-WASHER (1-1/8")	3		
N/S 0375567 PLATE, CONCEALED HINGE BACKING	3		
N/S 8570756 SCREW (6 x 3/8) PAN QUAD BLACK OXIDE	6		



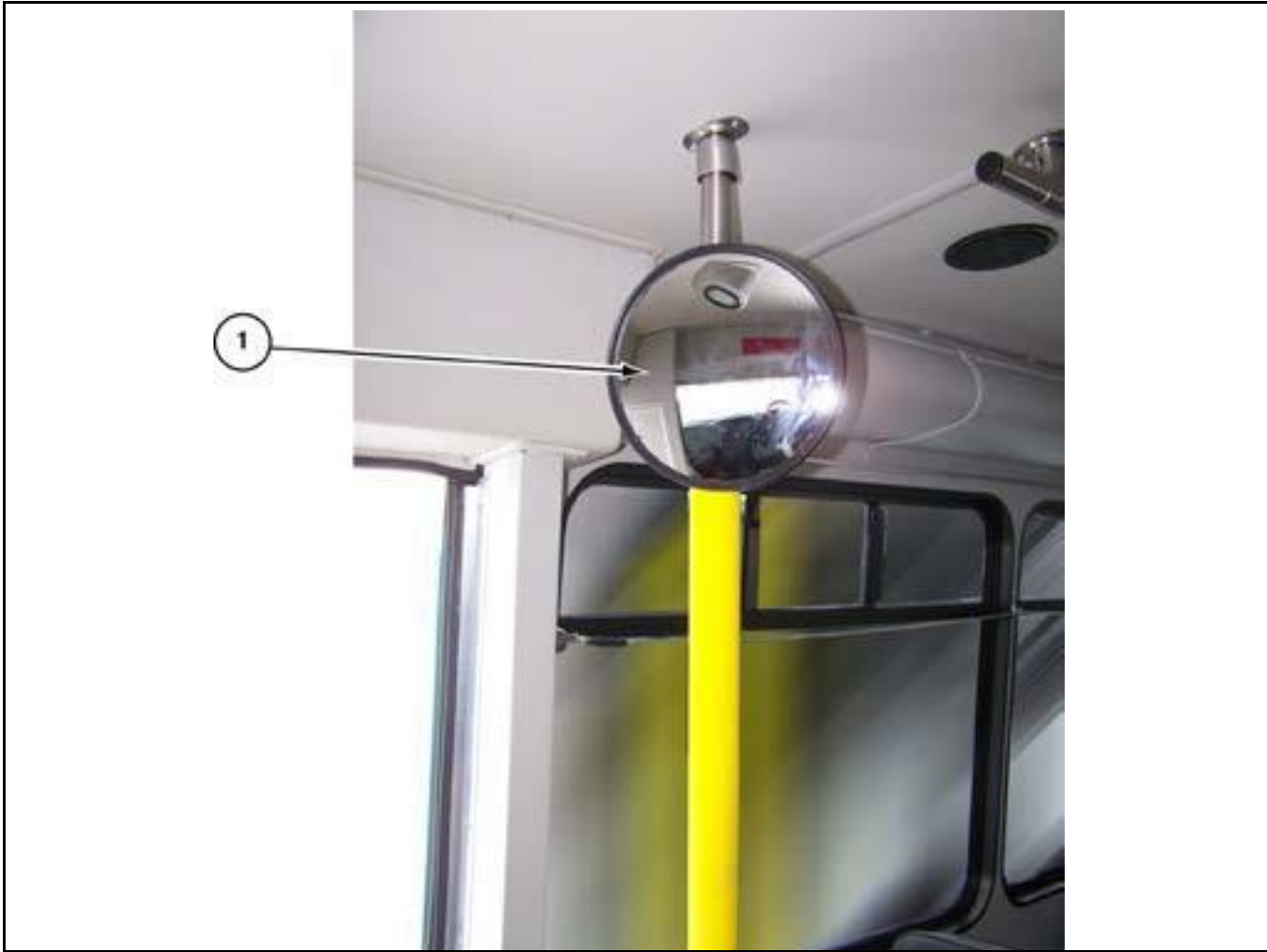
**FRONT GLOVE BOX - LOCKING**  
**cT-000-900-0703L / 0409745**

<i>ITEM</i>	<i>PART NO.</i>	<i>DESCRIPTION</i>	<i>QTY</i>	<i>ITEM</i>	<i>PART NO.</i>	<i>DESCRIPTION</i>	<i>QTY</i>
<b>0409745 INSTALL, DOOR DEST ABS - LOCKING</b>				N/S	3370919	SHEET, ABS .125" X 48" X 78" GRAY	A/R
1	3370939	DOOR, DESTINATION SIGN	1	N/S	0364836	STEEL, FLAT 14GA/16GA X 3 X 96.0	A/R
N/S	3370798	GUARD, DOOR EDGE	A/R				
N/S	4970476	HINGE, CONCEALED	3				
2	4941520	THUMB-LOCK, COMPLETE	2				
3	5340393	LOCK, KEYED ASSEMBLY	1				
N/S	8570668	SPUR-WASHER (1-1/8")	3				
N/S	0375567	PLATE, CONCEALED HINGE BACKING	3				
N/S	4370078	ALUCOBOND, 3MM X 50" X 96" POLY WT AR					



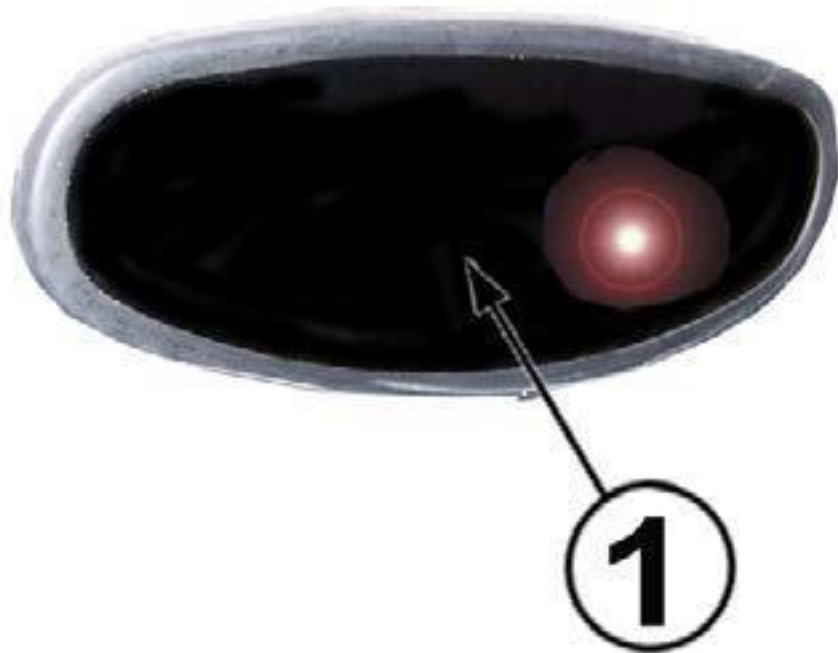
**9" round convex interior mirror**  
**m2-000-900-3123**

ITEM	PART NO.	DESCRIPTION	QTY	ITEM	PART NO.	DESCRIPTION	QTY
01	6170039	MIRROR HEAD, CONVEX	1				
N/S	0379206	BRACKET, 9" INTERIOR CONVEX MIRROR	1				



**9" round convex interior mirror**  
**cx-000-900-3123**

ITEM	PART NO.	DESCRIPTION	QTY	ITEM	PART NO.	DESCRIPTION	QTY
01	6170039	MIRROR HEAD, CONVEX	1				
N/S	8570706	SCREW (10 x 1-1/2 PAN QUAD ZINC)	2				
N/S	8543332	BOLT, HEX (5/16 x 1-3/4 GRD 5)	1				
N/S	0373597	BRACKET, MIRROR	1				



**Interior Mirror (4" x 13")**  
**0421585 / 6170295**

<i>ITEM</i>	<i>PART NO.</i>	<i>DESCRIPTION</i>	<i>QTY</i>	<i>ITEM</i>	<i>PART NO.</i>	<i>DESCRIPTION</i>	<i>QTY</i>
1	6170295	Mirror, Interior Rearview	1				
2	0379992	Bracket, Mirror Interior Defender M2	1				





**6" X 16" INTERIOR MIRROR ASSEMBLY**  
**CX0000072809 - CX-000-900-2809**

<i>ITEM PART NO. DESCRIPTION</i>	<i>QTY</i>	<i>ITEM PART NO. DESCRIPTION</i>	<i>QTY</i>
01 6140479 MIRROR, INSTERIOR (6 x 16)	1		
02 6170102 STRAP, MOUNTING (4.5 x 14 x 4.5)	1		
N/S 8570706 SCREW (10 x 1-1/2 PAN QUAD ZINC)	5		



## Interior rearview Mirror

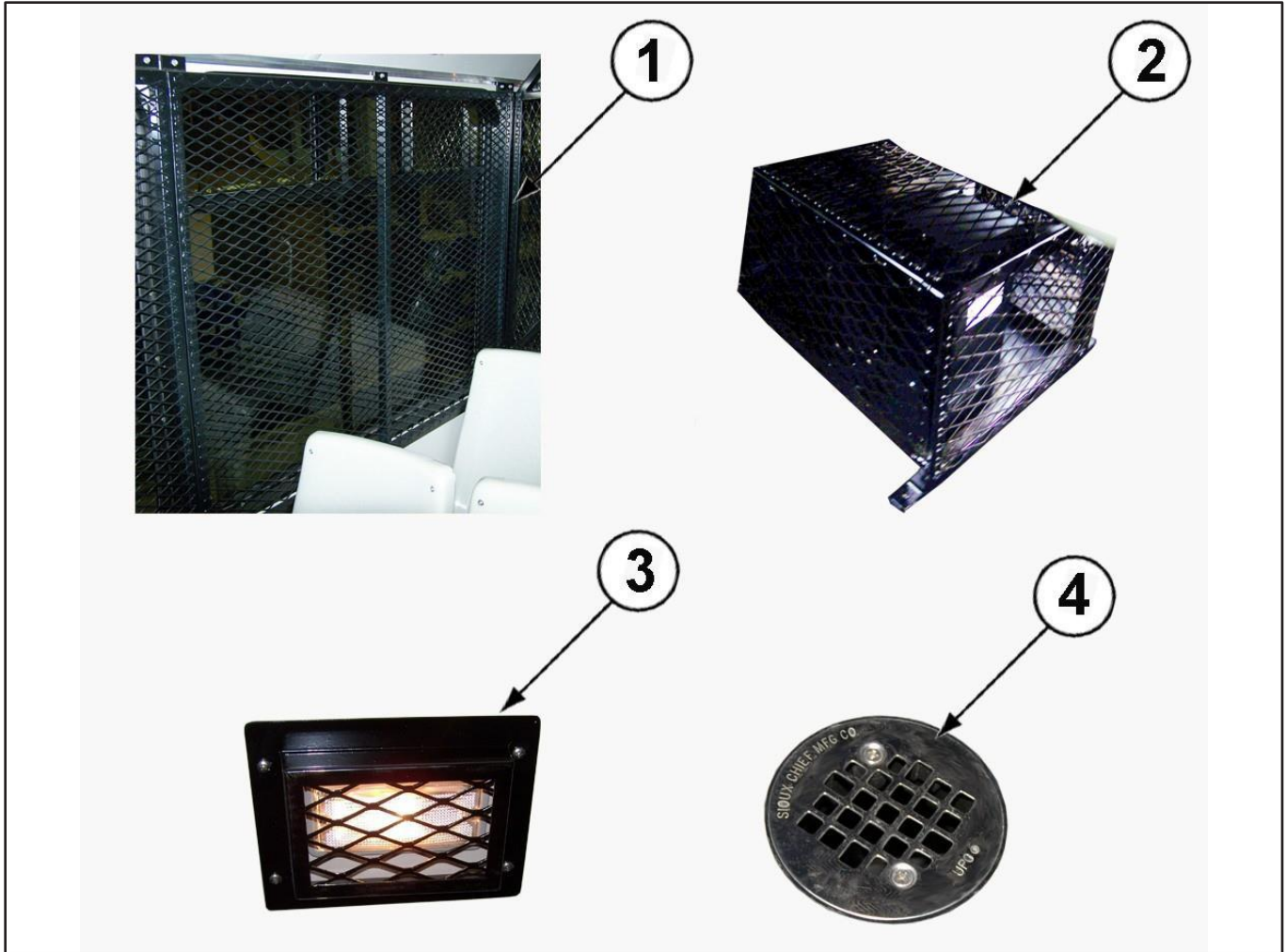
**aB0000070143 / 0411816**

<i>ITEM PART NO. DESCRIPTION</i>	<i>QTY</i>	<i>ITEM PART NO. DESCRIPTION</i>	<i>QTY</i>
1 6170295 Mirror, Interior Rearview	1		
2 0376993 Bracket, Interior Rearview Mirror	1		



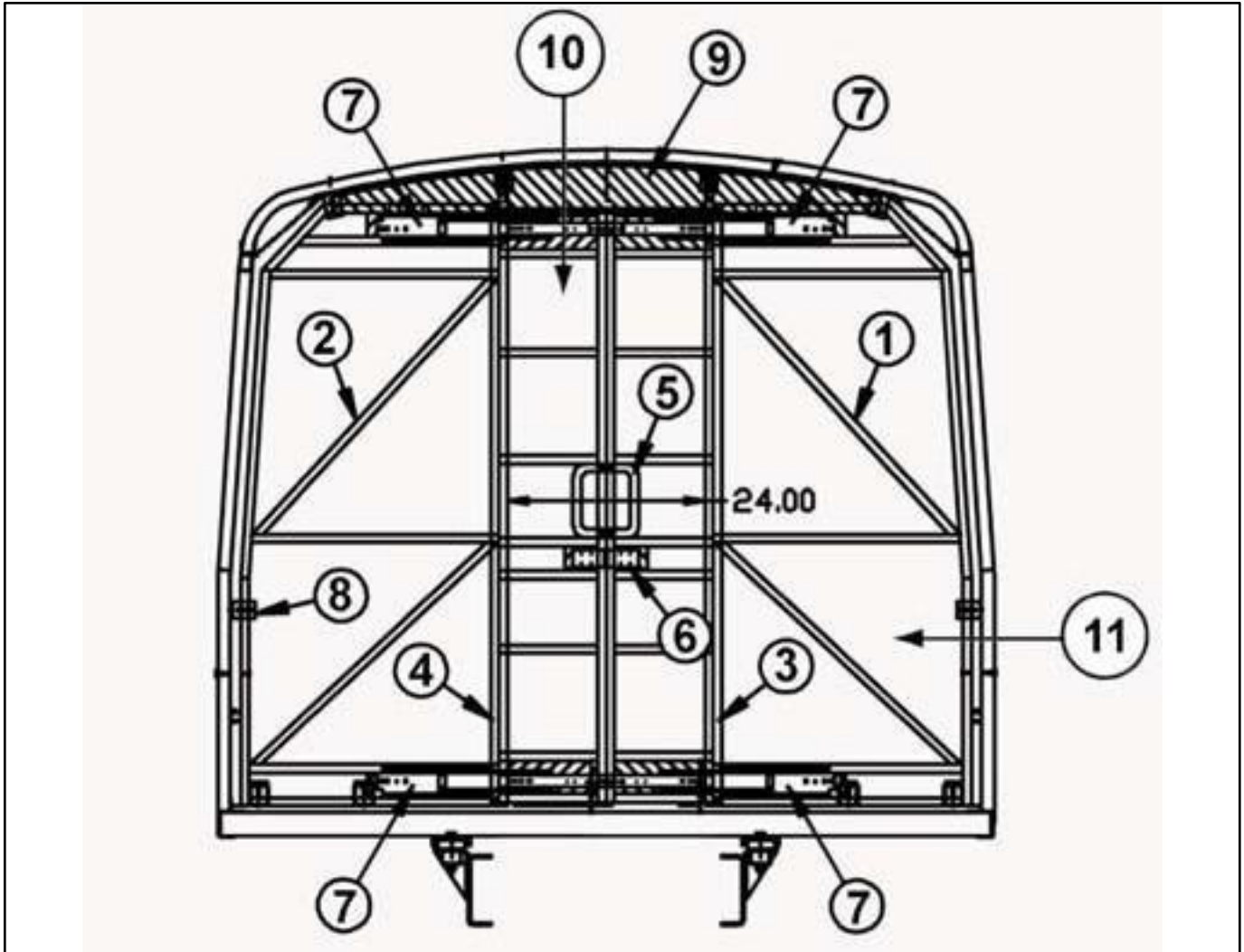
**INTERIOR MIRROR (6" X 16")**  
**0421609**

<i>ITEM</i>	<i>PART NO.</i>	<i>DESCRIPTION</i>	<i>QTY</i>	<i>ITEM</i>	<i>PART NO.</i>	<i>DESCRIPTION</i>	<i>QTY</i>
01	6140479	Mirror, Interior 6" x 16"	1				
NS	6170102	Strap, Mounting (4.5 x 14 x 4.5)	1				



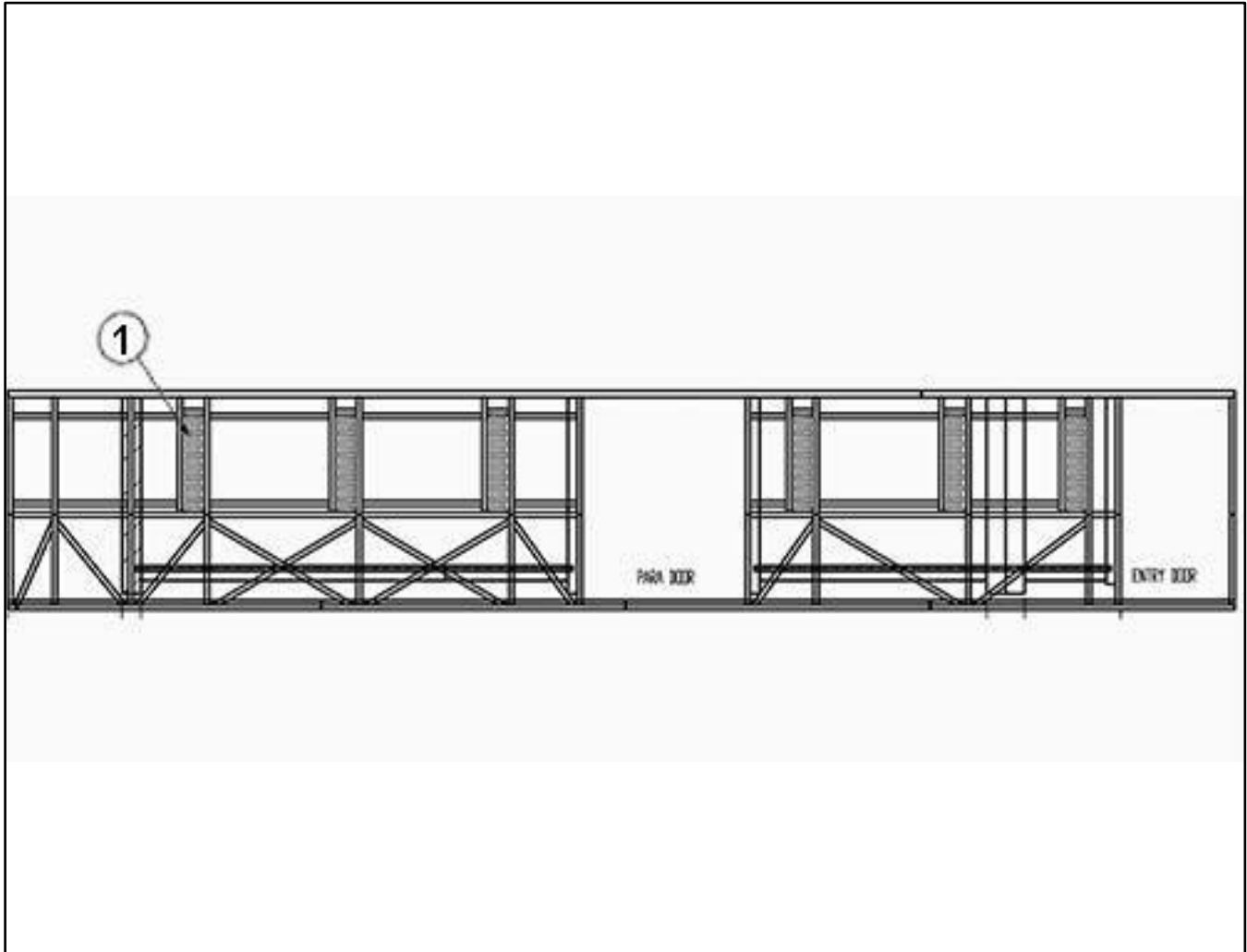
**prison bus cage items**  
**cX0000055259, 55260, 55261, 55262**

<i>ITEM PART NO. DESCRIPTION</i>	<i>QTY</i>	<i>ITEM PART NO. DESCRIPTION</i>	<i>QTY</i>
<b>CX0000055259 Cage, Window Prison Bus</b>		<b>CX0000055260 Storage Gun &amp; Ammo</b>	
01 0379106 Cage, Window 46.5 x 36.38	4	NS 0378978 Box, Gun & Ammo Storage Prison Bus	1
<b>CX0000055262 Cage, Lights, Heaters</b>		NS 4970714 Hasp, Corner 4" Gun Box Lock	1
2 0379107 Cage, Heater 35K ProAir	2	CX0000055261 Floor Drain Prisoner Transport	
3 0379108 Cover, Frame Light Prison Bus	12	04 2971277 Drain, Floor Black ABS 4"	1



**cage wall - dual door w/leXoN (rev-d)**  
**0417647 / 0417711**

<i>ITEM PART NO. DESCRIPTION</i>	<i>QTY</i>	<i>ITEM PART NO. DESCRIPTION</i>	<i>QTY</i>
1 0379116 Wall, Prison Bus Fixed Slider Door R/S	1	07 0170808 Slide, Basic 3320 14"	4
2 0379118 Wall, Prison Bus Fixed Slider Door C/S	1	8 0378966 Bracket, Mounting Prison Wall Cage	10
3 0379117 Door, Prison Bus Fixed Slider R/S	1	9 0379137 Plate, Prison Wall Top Divider Dual Dr	1
4 0379119 Door, Prison bus Fixed Slider C/S	1	10 5970979 Lexan, .220 x 48 x 96	AR
05 0378977 Handle, Offset Pull 8" x 1" x 1/4" - 20"	2	11 5970979 Lexan, .220 x 48 x 96	AR
06 0378976 Bracket, Hasp 4 x 2 HRS Prison Door	2	NS 0379007 Spacer, Slider Door Handle 1"x1x.25	4
		NS 8971289 Tape, 3M 5952 1" x 36 Yards	1



**window guards (6" x 30")**  
**0421249 / 0379121 (rEV-a)**

<i>ITEM</i>	<i>PART NO.</i>	<i>DESCRIPTION</i>	<i>QTY</i>	<i>ITEM</i>	<i>PART NO.</i>	<i>DESCRIPTION</i>	<i>QTY</i>
01	0379141	Guard, Window 6" x 30" Hehr Xpanded	11				
NS	0379121	Corner Window Radius, Hehr 6 x 30	54				

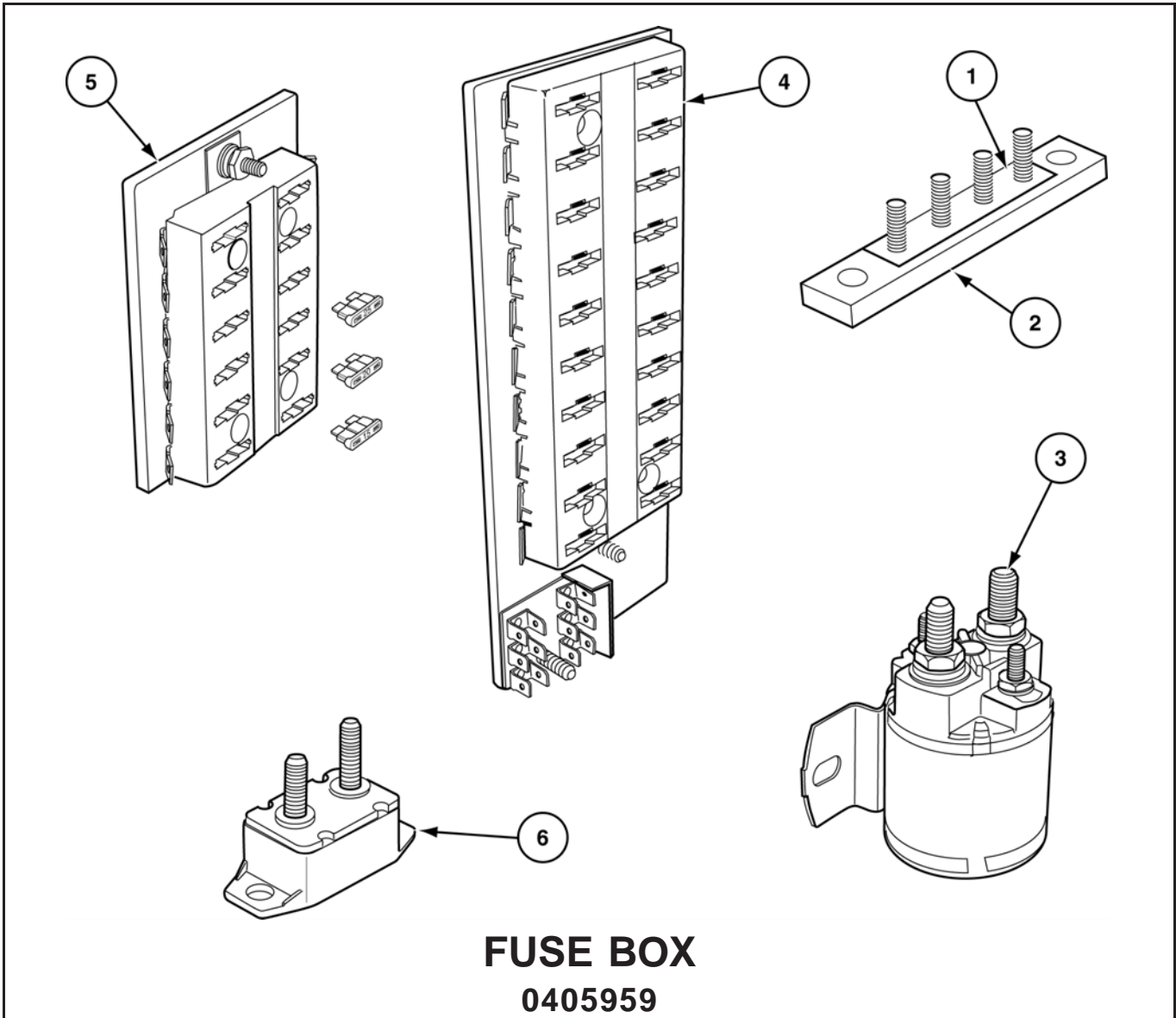
**NOTE: Curbside shown, Roadside similar.**



**CHAMPION**  
**BUS, INC.**  
Thor Industries Commercial Bus Division

# **SECTION 4:**

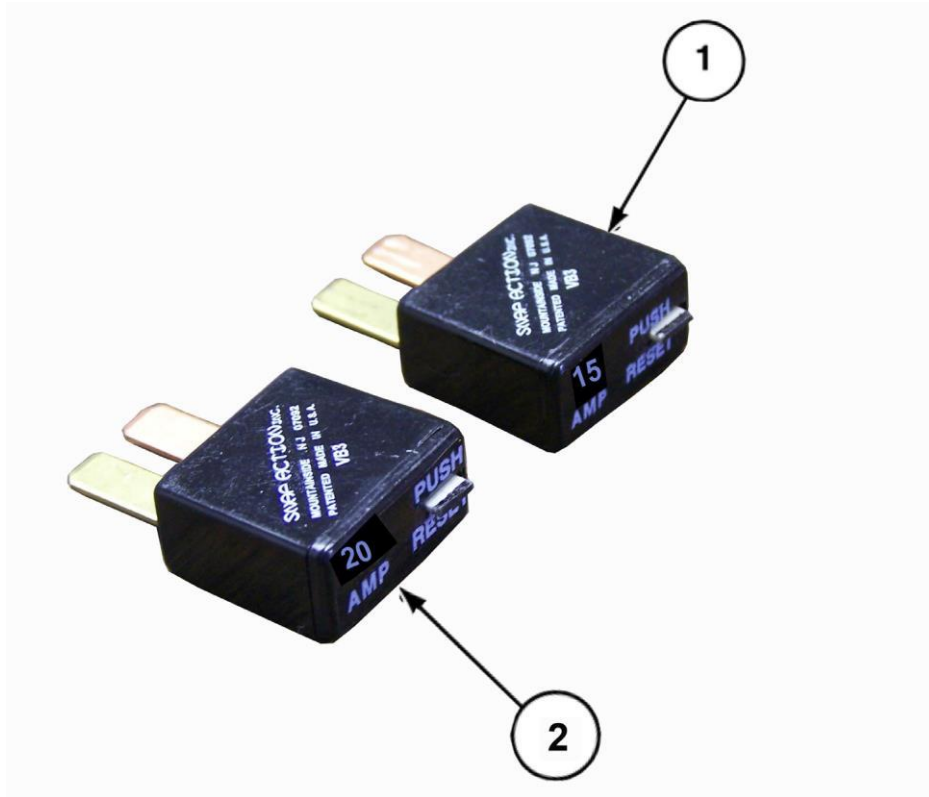
# **EIECTrICal**



## FUSE BOX 0405959

ITEM	PART NO.	DESCRIPTION	QTY	ITEM	PART NO.	DESCRIPTION	QTY
01	3971863	BLOCK, BUSS BAR 4 CIRCUIT	1	N/S	0405958	PANEL, FUSE LAMINATED PLYWOOD ASSEMBLY	1
2	3971862	BLOCK, TERMINAL 4 CIRCUIT	1	N/S	3973907	BLOCK, FUSE 5-WAY	1
3	3943859	SOLENOID, 4 POST	1	N/S	3973497	MODULE, RELAY 5 OUTPUT	3
4	3971974	BLOCK, FUSE (20 CIRCUIT USD)	1	N/S	3973467	CONNECTOR, 5 PIN MATENLOK MULTIPLEX	3
5	3970540	BLOCK, FUSE (12 CIRCUIT)	1	N/S	3973468	CONNECTOR, 6 PIN MATENLOK MULTIPLEX	3
6	3971280	BREAKER, 15 AMP RESET BREAKER	1				





## BREAKERS, MANUAL RESET 0410569

<i>ITEM PART NO. DESCRIPTION</i>	<i>QTY</i>	<i>ITEM PART NO. DESCRIPTION</i>	<i>QTY</i>
01 3972094 BREAKER, 15 AMP MANUAL RESET	6		
02 3972095 BREAKER, 20AMP MANUAL RESET	6		
N/S 3973921 BLOCK, FUSE NO GROUND	1		
N/S 0140293 DIODE, POWER 25 AMP MB	2		



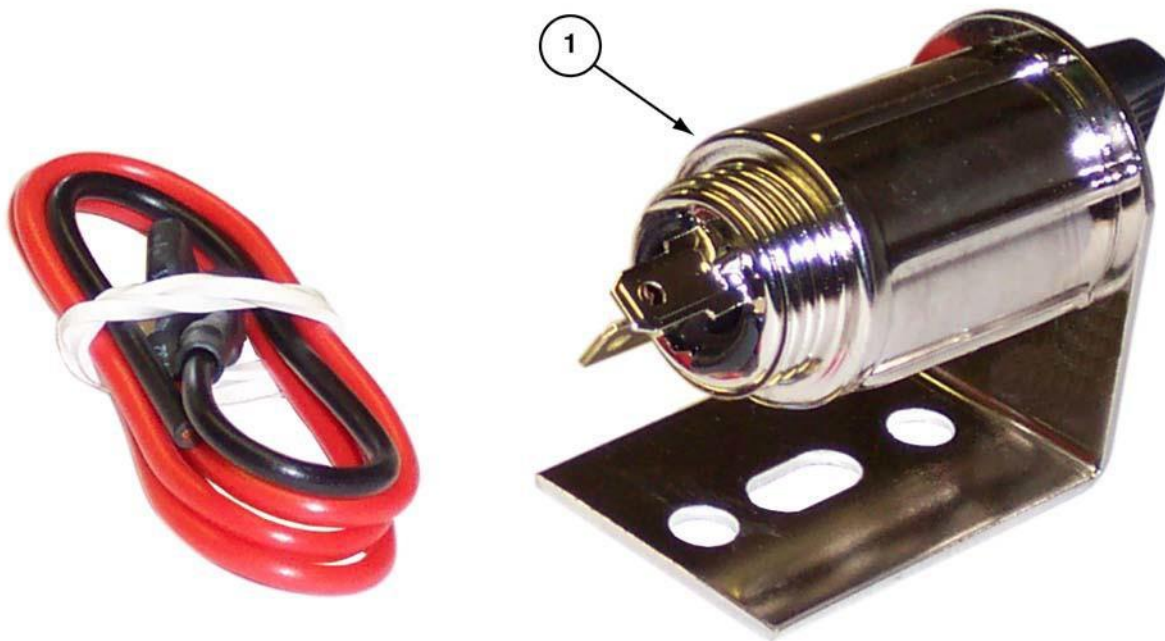
## circuit breakers - all assemblies -3161 / 23161

<i>ITEM PART NO. DESCRIPTION</i>	<i>QTY</i>	<i>ITEM PART NO. DESCRIPTION</i>	<i>QTY</i>
01 3970472 Breaker, 15 AMP 1771-1520	AR	<b>ALSO INCLUDES THE FOLLOWING ASSEMBLIES:</b>  <b>CH000FF23161, CH000FP23161, CH000GT23161, CH000GU23161, DF000GO23161,DF000ND23161, CH-000-900-23161, CH-000-900-3161, CT-000-998-3161</b>	
02 3971290 Breaker, 20 AMP 1771-2028	AR		



## Spare FuSe Kit 0408335

ITEM	PART NO.	DESCRIPTION	QTY	ITEM	PART NO.	DESCRIPTION	QTY
01	0416798	Spare Fuse Kit	1				
	3971286	Fuse, 15 Amp ATO Blade Type	3				
	3971287	Fuse, 20 Amp ATO Blade Type	1				
	3971288	Fuse, 30 Amp ATO Blade Type	1				
	3971291	Fuse, 20 Amp MAXI 15505	1				
	3971292	Fuse, 30 Amp MAXI 15506	1				
	3971293	Fuse, 40 Amp MAXI 15507	1				
	3971294	Fuse, 50 Amp MAXI 15508	1				
	3971295	Fuse, 60 Amp MAXI 15509	1				
	3972018	Fuse, 5 Amp Mini	1				
	3972019	Fuse, 10 Amp, Mini	1				
	3972020	Fuse, 15 Amp Mini	1				
	3972021	Fuse, 20 Amp Mini	1				
	3972022	Fuse, 30 Amp Mini	1				



**AUXILIARY 12-VOLT POWER ACCESSORY SUPPLY**  
**CX0000020048**

<i>ITEM</i>	<i>PARTNO.</i>	<i>DESCRIPTION</i>	<i>QTY</i>	<i>ITEM</i>	<i>PARTNO.</i>	<i>DESCRIPTION</i>	<i>QTY</i>
01	3972195	JACK 12V POWERSUPPLY	1				

**PICTURES NOT AVAILABLE AT THIS TIME**

**INTERLOCK (fRTL & INTL.  
3975536**

<i>ITEM</i>	<i>PART NO.</i>	<i>DESCRIPTION</i>	<i>QTY</i>	<i>ITEM</i>	<i>PART NO.</i>	<i>DESCRIPTION</i>	<i>QTY</i>
01	3975536	Interlock, Freightliner W/Plug-Play	1				



**LIGHTED Door WARNING BUZZER**  
**CX0000023096**

<i>ITEM</i>	<i>PART NO.</i>	<i>DESCRIPTION</i>	<i>QTY</i>	<i>ITEM</i>	<i>PART NO.</i>	<i>DESCRIPTION</i>	<i>QTY</i>
1	3973085	LIGHT, BUZZ (NO ENGRAVING)	1				
2	3974501	LIGHT, INDICATOR (GREEN)	1				



## DOOR AJAR DASH DISPLAY 0418855

ITEM	PART NO.	DESCRIPTION	QTY	ITEM	PART NO.	DESCRIPTION	QTY
01	3975257	Interlock, GM/Int'l/FTL NY DOT	1				
	0377521	Bracket, Rear Door Lock Barrel Bolt	1				
	0413579	Cover, Switch Door Lock	1				
	3971790	Switch, Micro W/Roller Lever	1				
	3970894	Spacer, Switch	1				
	3971506	Bushing, Snap 1/2"	1				
	8570860	Screw, Set 6-32 x 1/4	2				



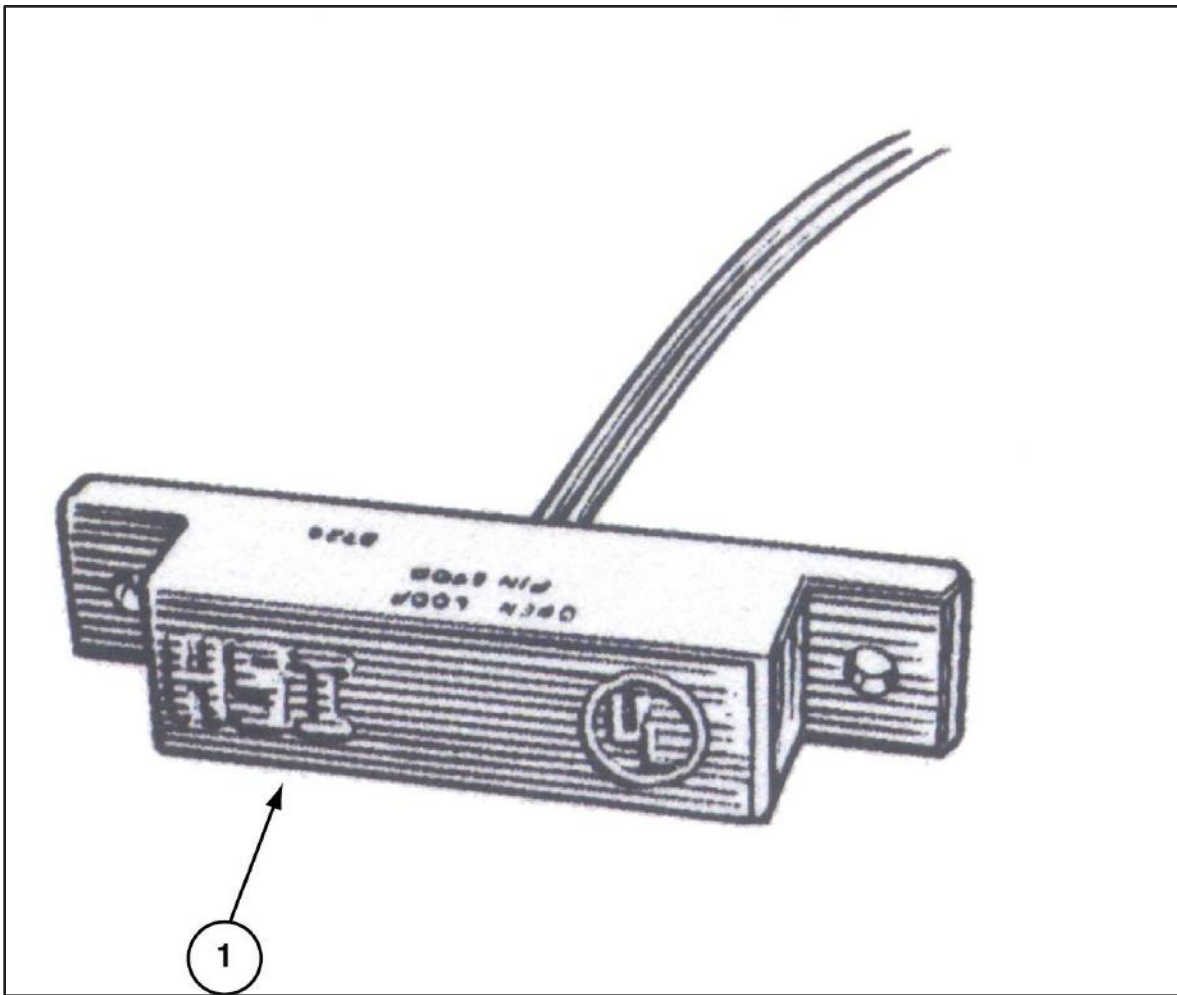
**DOOR AJAR LIGHT - LUGGAGE**  
**CX0000023099**

<i>ITEM PART NO. DESCRIPTION</i>	<i>QTY</i>	<i>ITEM PART NO. DESCRIPTION</i>	<i>QTY</i>
----------------------------------	------------	----------------------------------	------------

01 3974887 LIGHT, INDICATOR (GREEN) 14V	1		
---	---	--	--

NOTE: Picture may not match part exactly.





**EXIT WINDOW SWITCH  
CX0000072816**

<i>ITEM PART NO. DESCRIPTION</i>	<i>QTY</i>	<i>ITEM PART NO. DESCRIPTION</i>	<i>QTY</i>
01 3970349 Switch, Magnetic	1		
NS 3973050 Actuator, Magnetic	1		



## indicator lights

**cx0000024037, cx0000072814, cx0000072813**

ITEM PART NO.	DESCRIPTION	QTY	ITEM PART NO.	DESCRIPTION	QTY
<b>CX0000024037 Lift Master Switch W/Indicator Light</b>			<b>CX0000072814 Exit Window Buzzer</b>		
1	3973881 Switch, Carling ON/OFF	1	3	3973085 Light, Buzz Engraved Exit	1
2	3974501 Light, Indicator Green	1		3974845 Light, Indicator Red 14V	
NS	3947066 Connector, RT 10-4848	1	<b>CX0000072813 Exit Window Buzzer Prep</b>		
NS	3973881 Receptical, Fast-On	4	4	3973049 Switch, Magnetic	1
			NS	3973050 Actuator, Magnetic	1



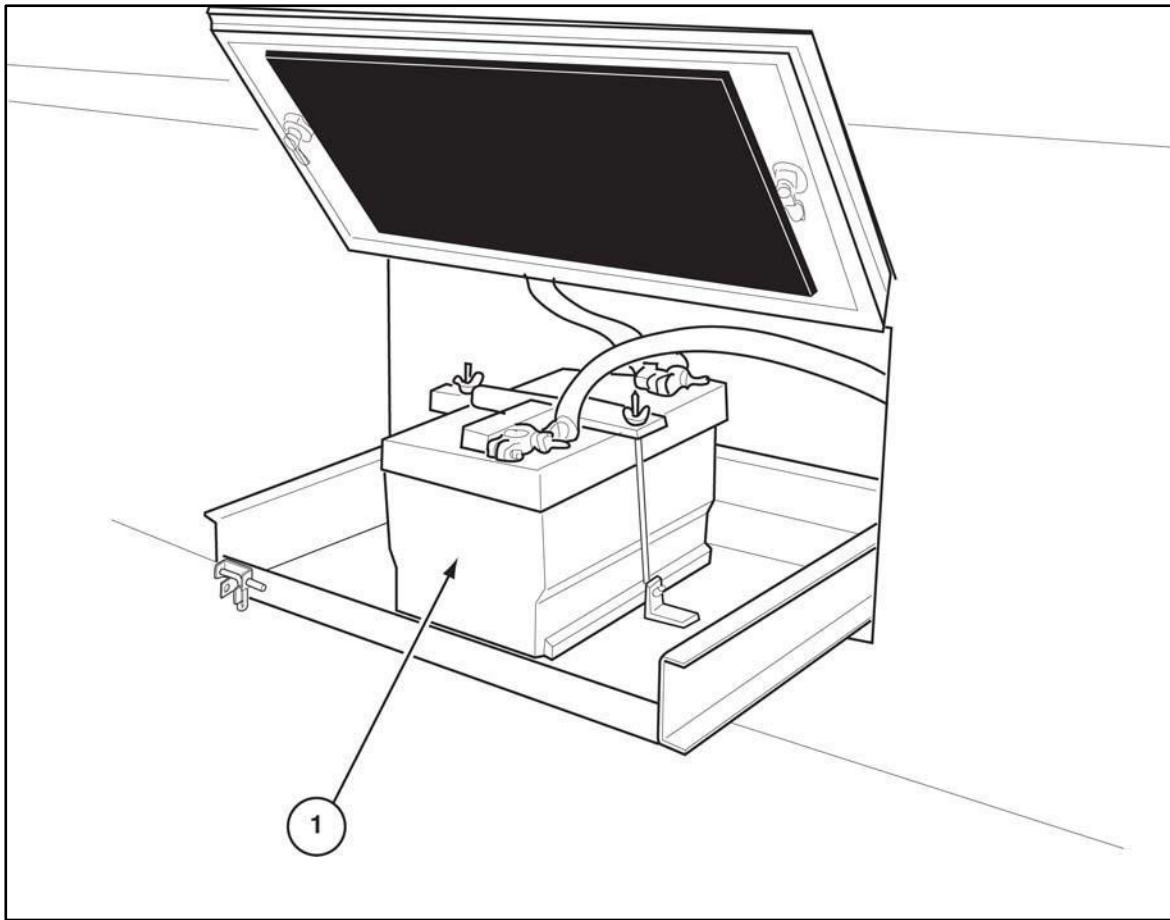
**exterior key switch - kubota**  
**cx0000020092 / 0409122**

<i>ITEM PART NO. DESCRIPTION</i>	<i>QTY</i>	<i>ITEM PART NO. DESCRIPTION</i>	<i>QTY</i>
01 3972731 Switch, Keyed Entrance Door	1		
NS 3978269 Kubota, O-Ring Key Switch	1		
NS 3978270 Gasket, Kubota Key Switch	1		
NS 3974623 Harness, Key Switch	1		
NS 1015438 Keys, Set Kubota	1		



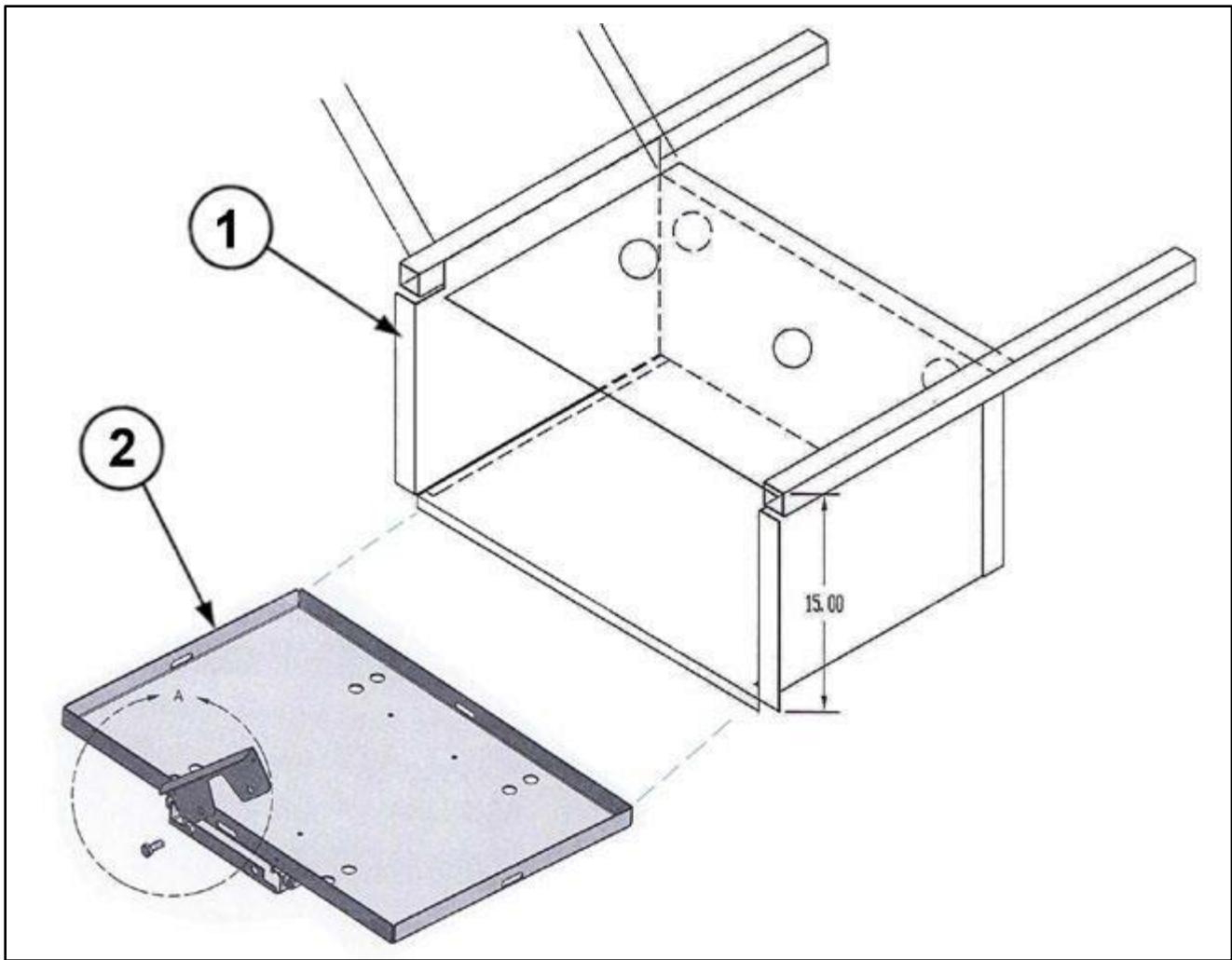
**keyed entry door switch**  
**0421732 - 3975909**

<i>ITEM</i>	<i>PART NO.</i>	<i>DESCRIPTION</i>	<i>QTY</i>	<i>ITEM</i>	<i>PART NO.</i>	<i>DESCRIPTION</i>	<i>QTY</i>
01	3975909	Switch, Keyed Entry Door	AR				



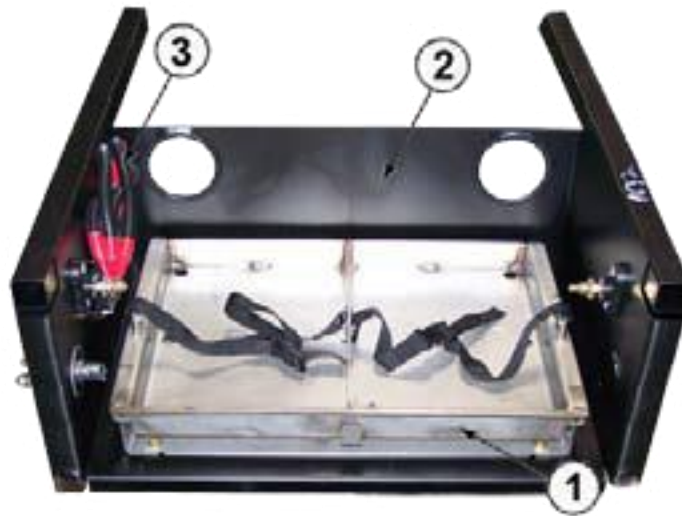
**battery 8d CH/Cr assembly**  
**CX0000022967 / 0403541**

<i>ITEM PART NO. DESCRIPTION</i>	<i>QTY</i>	<i>ITEM PART NO. DESCRIPTION</i>	<i>QTY</i>
01 3945813 Battery, 8D	1		
NS 3946828 Loom, 1" ID Nylon Split Hi Temp	1		
NS 3972411 Terminal, Battery End Neg.	1		
NS 3972417 Terminal, Battery End Pos.	1		



**ENCLOSED battEry bOx w/tray S/S**  
**0419136-PDOT / 0418307**

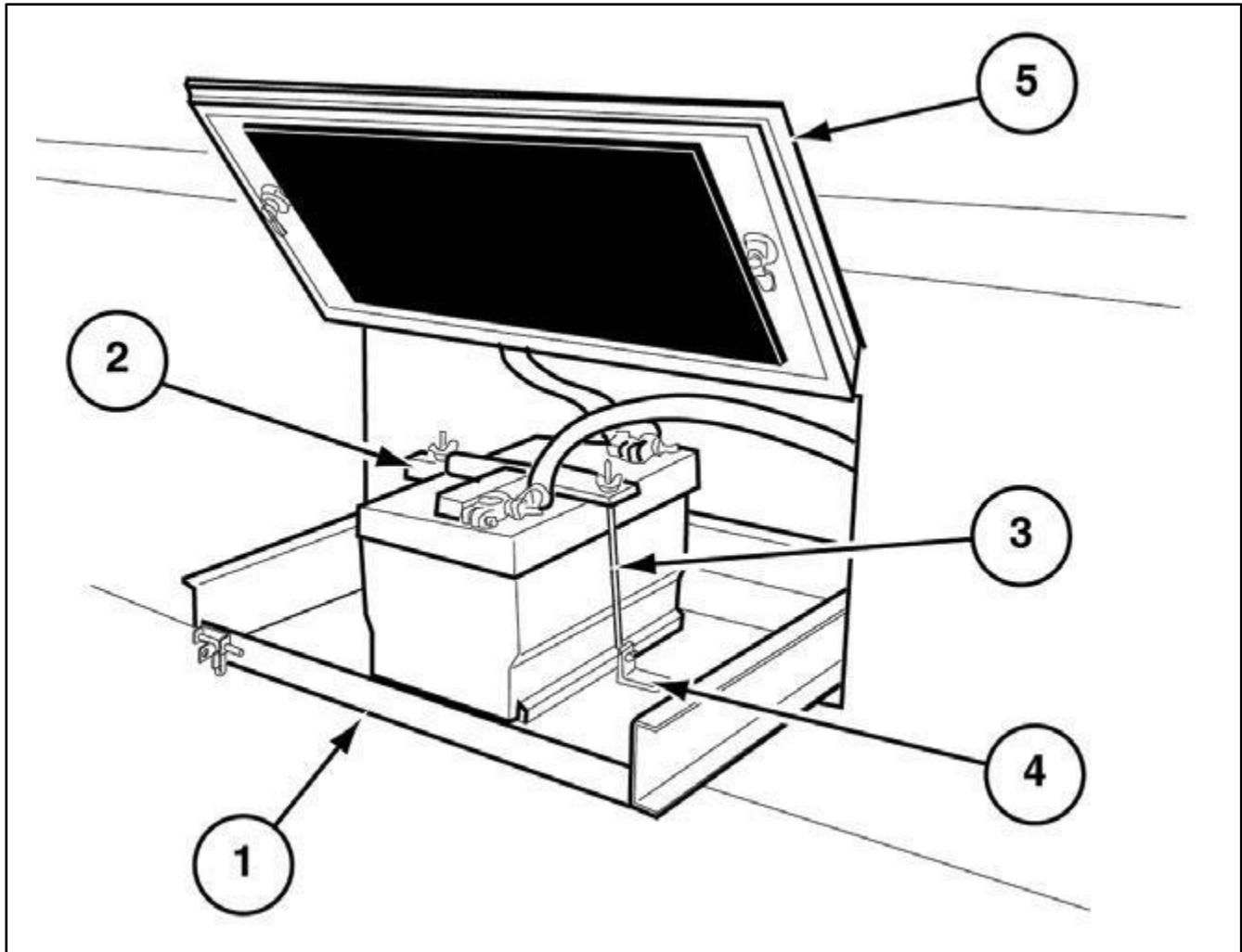
ITEM	PART NO.	DESCRIPTION	QTY	ITEM	PART NO.	DESCRIPTION	QTY
		<b>0419136-PDOT BOX, BATTERY S/S ENCLOSED ASSY</b>				<b>0418307 INSTALL, BATTERY TRAY S/S PT-2</b>	
01	0379394	BOX, BATTERY 15 x 26 S/S ENCLOSED	1	02	0379088	TRAY, BATTERY S/S PT-2 SS	1
NS	5370598	DOOR, BATTERY (13.25 x 25.75)	1		8571504	PIN, CLEVIS 3/16 x 19/32 W/29/64" LE	1
NS	4941688	HOLDER, DOOR 1"(Picture does not represent part)	1		8571505	PIN, HITCH CLIP HP223	1
NS	3371421	COVER, SCREW ELIXIR WHITE (200 PC BOX)	1.5		8570384	BOLT, HEX 1/4-20 x 1" S/S	4
NS	8571562	FASTENER, 3/16 x .040-.354 KLAMPTITE	2		8570915	WASHER, FLAT 1/4" STAINLESS STEEL	8
NS	0375267	PLATE, BATTERY ISOLATOR SUPPORT	1		8571502	NUT, HEX 1/4-20 NYLOC STAINLESS STEEL	4
NS	3972411	TERMINAL, BATTERY END NEG. 23399-3	2				
NS	3972417	TERMINAL, BATTERY END POS. 23399-4	2				



## BATTERY BOX W/SS TRAY

### 0420978/0421022

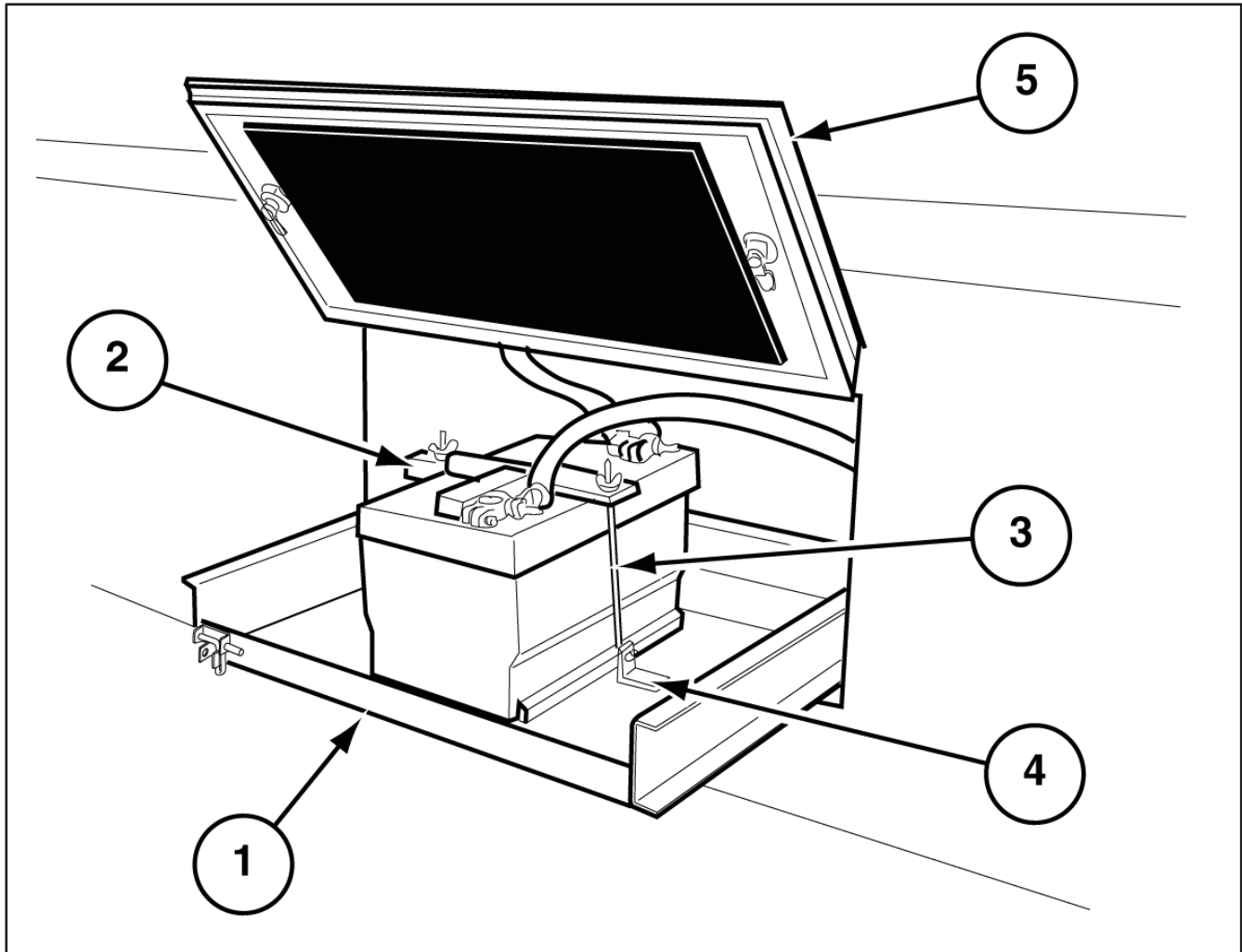
ITEM	PART NO.	DESCRIPTION	QTY	ITEM	PART NO.	DESCRIPTION	QTY
1	0379825	Tray, Battery S/S L&W	1	NS	0375267	Plate, Battery Isolator Support Ford	1
2	0377419	Box, Battery I-II-IV 2002 Assy Power	1	NS	0417434	Install, Battery Cable 4/0 Welding	1
3	3971324	Cable, Battery 2GA Black SGX	10	NS	0417806	Holddown, Battery W/Carriage Bolts	1
4	5370598	Door, Battery 13.25 x 25.75 Three Sided	1	NS	0348250	Steel, Flat 11GA x 3 x 10'	.1
5	4941688	Holder, Door 1" White Plastic	1	NS	4342879	Steel, Coil .021 x 36.0 Painted	6
NS	3940905	Block, Terminal single Pole	6				
NS	3971283	Breaker, 80 AMP Automatic Reset	1				



**Battery Box w/tray powder coat Blk**  
**0419036/ 0418309 / 0417806**

<i>ITEM PART NO. DESCRIPTION</i>	<i>QTY</i>	<i>ITEM PART NO. DESCRIPTION</i>	<i>QTY</i>
<b>0419036 Battery Box W/Tray Powder Coat</b>		<b>0417806 Hold Down, Battery W/Carriage Bolts</b>	
NS 0348250 Steel, Flat 11GA x 3 x 10'	AR	02 8571501 Bolt, Carriage 1/4 x 10"	2
NS 3940905 Block, Terminal Single Pole	6	03 8571503 Rod, Threaded 1/4-20 x 36" Zinc	1
NS 3971324 Cable, Battery 2GA Black SGX	10	04 0379090 Bracket, Battery Tiedown W/Carriage	2
NS 3971283 Breaker, 80 AMP Automatic Reset	1	NS 0170609 Line, Air Brake 3/8" Red	1.5
NS 4342879 Steel, Coil .021 x 36.0 Painted	6	NS 8570866 Nut, Wing 1/4-20	6
NS 0375267 Plate, Battery Isolator Support	1	NS 8543118 Washer, Lock 1/4" Plated	6
NS 0377419 Box, Battery I-II-IV 2002 Assy	1	NS 8571249 Washer, Flat 1/4 GR8	6
05 5370598 Door, Battery 13.2 x 25.75 Three	1	NS 8570858 Nut, Hex GR8 1/4-20	4
4941688 Holder, Door 1"	1		
NS 3973519 Stud, Isolated Junction 1/2"	3	<b>0417434 Install, Battery Cable 4/0 Welding</b>	
NS 4342879 Steel, Coil .021 x 36.0 Painted	6	NS 3974841 Cable, 3/0 Welding Black	6
<b>01 0418309 Install, Battery Tray Powder Coated</b>		NS 3974844 Terminal, Ring 4/0 x 1/2"	2
8571504 Pin, Clevis 3/16 x 19/32 w/29/64" LE	1	NS 3974909 Terminal, Ring 4/0 x 3/8"	2
8571505 Pin, Hitch Clip HP223	1	NS 3975086 Tube, Shrink 1-1/2" Black	AR
0379013 Tray, Battery Powder Coated Black	1	NS 3975085 Tube, Shrink 1-1/2" Red	AR
		NS 3973519 Stud, Isolated Junction 1/2"	2





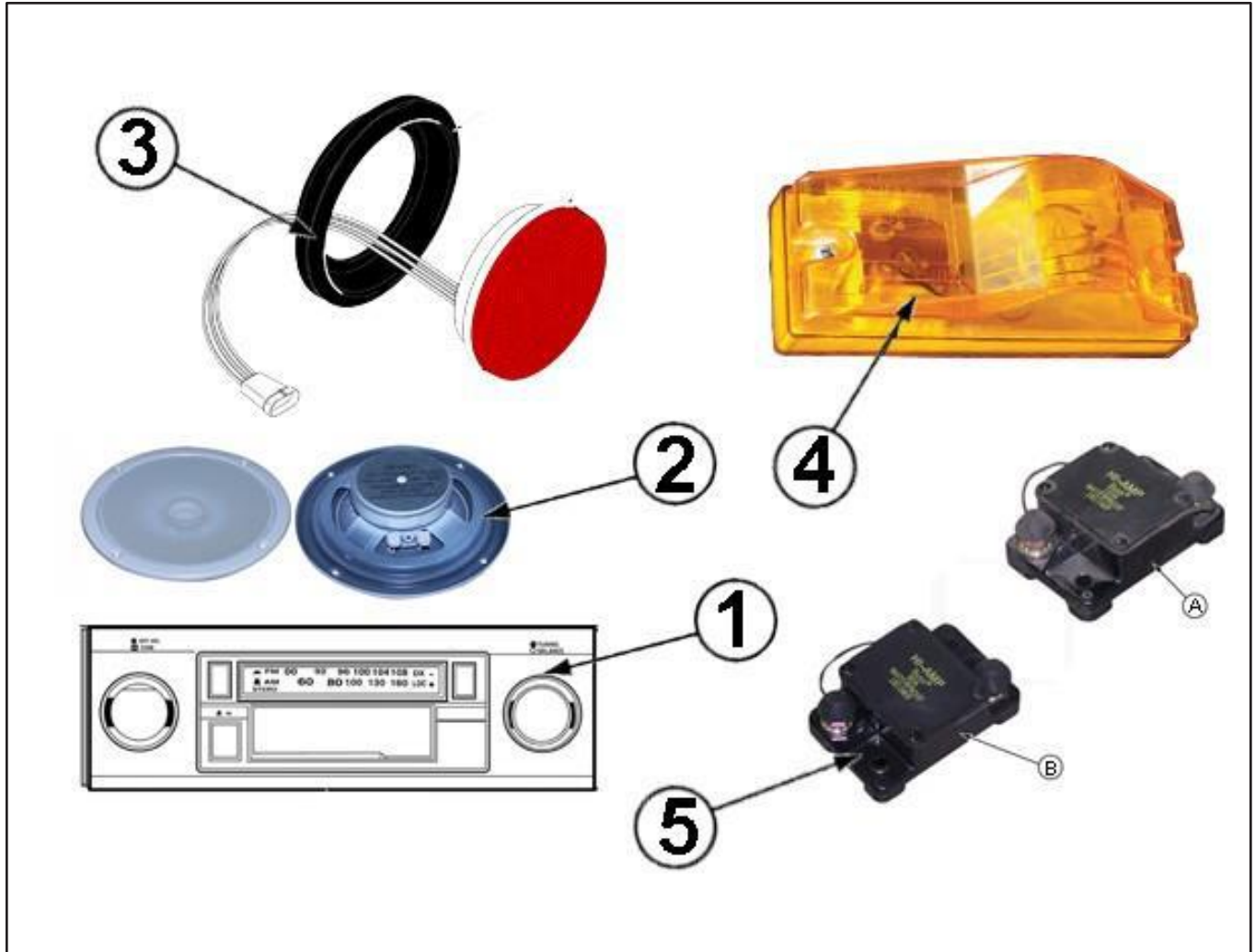
**Battery Box #2 W/tray 11ga - m2**  
**Cx000m223236/ 0410430 / 0417806**

<u>ITEM PART NO.</u>	<u>DESCRIPTION</u>	<u>QTY</u>	<u>ITEM PART NO.</u>	<u>DESCRIPTION</u>	<u>QTY</u>
<b>CX000M223236</b>	<b>Battery Box #2 W/ Tray 11GA</b>		<b>0417806</b>	<b>Hold Down, Battery W/Carriage Bolts</b>	
NS 0348250	Steel, Flat 11GA x 3 x 10'	AR	02 8571501	Bolt, Carriage 1/4 x 10"	2
NS 3940905	Block, Terminal Single Pole	6	03 8571503	Rod, Threaded 1/4-20 x 36" Zinc	1
NS 3971324	Cable, Battery 2GA Black SGX	10	04 0379090	Bracket, Battery Tiedown W/Carriage	2
NS 3971283	Breaker, 80 AMP Automatic Reset	1	NS 0170609	Line, Air Brake 3/8" Red	1.5
NS 4342879	Steel, Coil .021 x 36.0 Painted	6	NS 8570866	Nut, Wing 1/4-20	6
			NS 8543118	Washer, Lock 1/4" Plated	6
			NS 8571249	Washer, Flat 1/4 GR8	6
			NS 8570858	Nut, Hex GR8 1/4-20	4
			<b>0417434</b>	<b>Install, Battery Cable 4/0 Welding</b>	
	<b>0410430 Box, Battery Tray 15 x 26 S/S</b>		NS 3974841	Cable, 3/0 Welding Black	6
	0377419	Box, Battery I-II-IV 2002 Assy	NS 3974844	Terminal, Ring 4/0 x 1/2"	2
05 5370598	Door, Battery 13.2 x 25.75 Three	1	NS 3974909	Terminal, Ring 4/0 x 3/8"	2
	4941688	Holder, Door 1"	NS 3975086	Tube, Shrink 1-1/2" Black	AR
	8571562	Fastener, 3/16 x .040-.354 Klamptite	NS 3975085	Tube, Shrink 1-1/2" Red	AR
<b>01 0418307</b>	<b>Install, Battery Tray S/S PT-2 S/S</b>		NS 3973519	Stud, Isolated Junction 1/2"	2
	8571504	Pin, Clevis 3/16 x 19/32 w/29/64" LE			
	8571505	Pin, Hitch Clip HP223			
	0379088	Tray, Battery S/S PT-2			



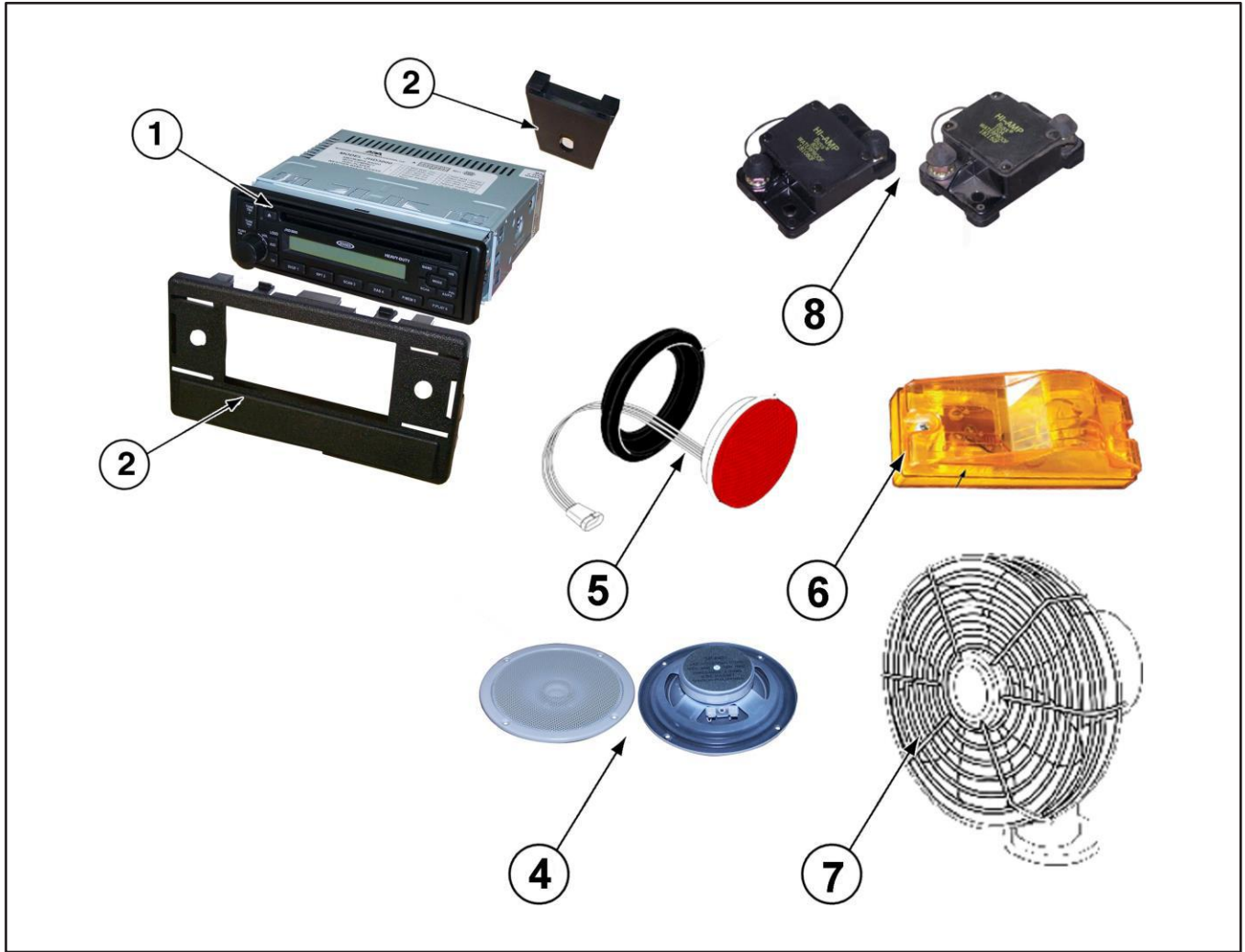
**MASTER DISCONNECT SWITCH (SHORT)**  
**Cx000SS22833**

<i>ITEM PART NO.</i>	<i>DESCRIPTION</i>	<i>QTY</i>	<i>ITEM PART NO.</i>	<i>DESCRIPTION</i>	<i>QTY</i>
1	3971754 Switch, Master Disconnect Short Shaft	1			
2	8942609 Face Plate, Disconnect Switch	1			
NS	3971628 Terminal, Non-Ins Copper Ring 2/0	4			
NS	0377150 Bracket, SS Master Disc. Battery	1			
NS	3940905 Block, Terminal Single Pole	1			
NS	0770042 Tube, Shrink Red 3/3" 100' SP	1			



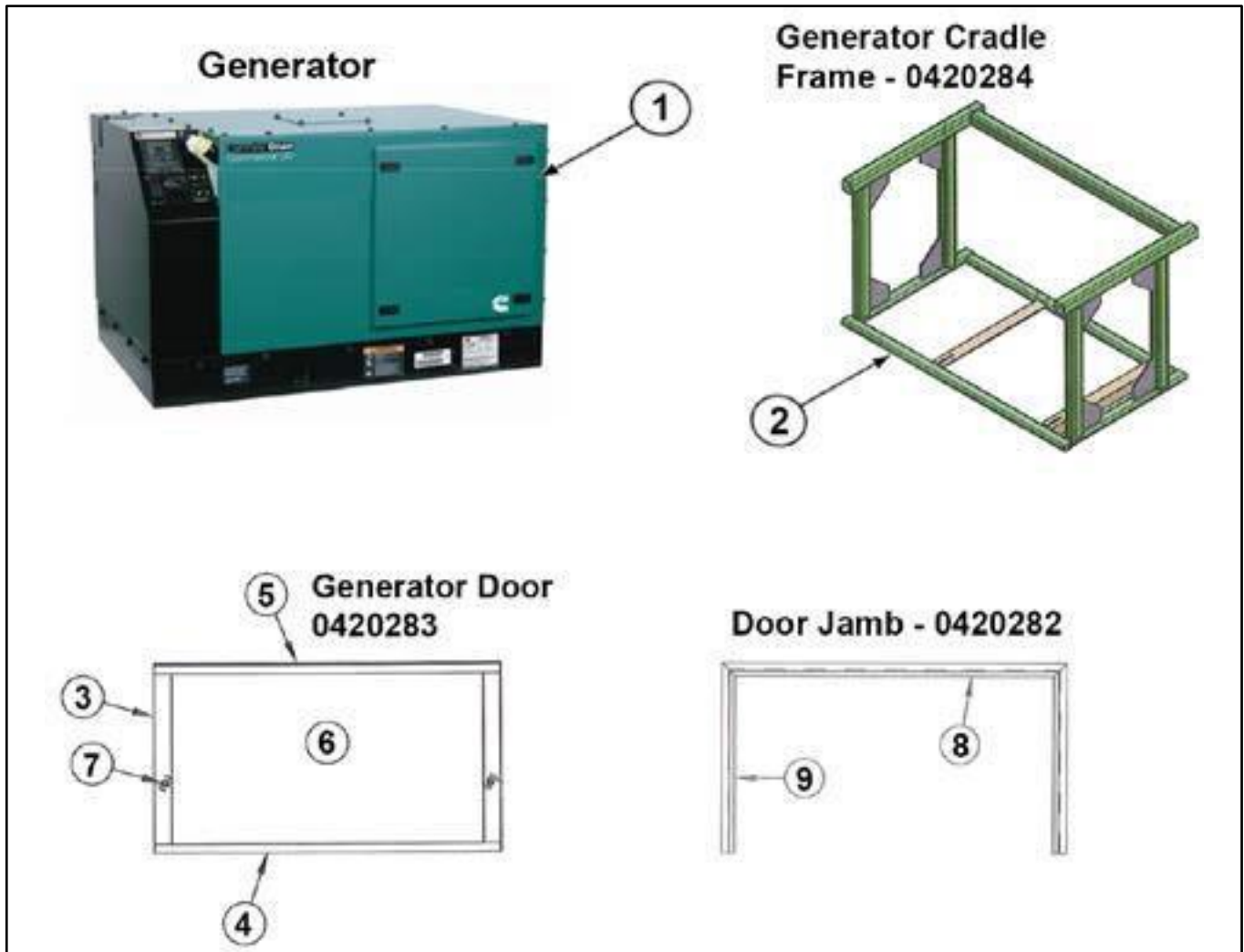
## ELECTRIC PACKAGE 2 DELUXE SQUARE CH000025107

ITEM PART NO. DESCRIPTION	QTY	ITEM PART NO. DESCRIPTION	QTY
<b>CH0000021822 AM/FM CASSETTE FRD</b>	<b>1</b>	<b>CX0000023102 SIDE DIRECTIONAL LIGHTS</b>	<b>1</b>
01 3974512 RADIO, AM/FM/CASS W/PA	1	4 3971879 LIGHT, SEALED SIDE MARKER - AMBER	2
N/S 3972514 ANTENNA, AM/FM	1	N/S 3974514 REFLECTOR, RECTANGULAR TAPE AMBER	2
N/S 3371332 BRACKET, RADIO	1	N/S 3970068 REFLECTOR, RECTANGULAR TAPE PERED	2
N/S 3971341 WIRE, SPEAKER BLUE/WHITE	7	N/S 3971517 P-CLAMP, VINYL COATED STEEL 5/8	3
<b>CX0000022806 SPEAKERS, EXTRA EA. 5.5"</b>	<b>4</b>	N/S 3674620 HARNESS, SIDE DIRECT P/S	1
02 3972268 SPEAKER, BLACK 5.5"	1	N/S 3974621 HARNESS, SIDE DIRECT D/S	1
N/S 3944485 TERMINAL, F INS FEM QK DISC 16-14	2	<b>CH000FP23161 CIRCUIT BREAKERS</b>	<b>1</b>
<b>CH000FP22826 REAR CENTER BRAKE LIGHT</b>	<b>1</b>	5 3970472 BREAKER, 15 AMP (SILVER)	8
03 3971446 LIGHT, STOP & TAIL ROUND	1	3971290 BREAKER, 20 AMP (SILVER)	1
N/S 3972919 GROMMET, 4" LIGHT	1		
N/S 3972919 HARNESS, REAR CNTR BRAKE LIGHT	1		



## ELECTRIC PACKAGE 4 Round CH000025109

ITEM PART NO.	DESCRIPTION	QTY	ITEM PART NO.	DESCRIPTION	QTY
<b>CH000021342</b>	<b>AM/FM CD PAGE SYSTEM</b>	<b>1</b>	<b>CX000023102</b>	<b>SIDE DIRECTIONAL LIGHTS</b>	<b>1</b>
1	3971341 RADIO, PANASONIC W/PA	1	6	3971879 LIGHT, SEALED SIDE MARKER - AMBER	2
N/S	3974698 ADAPTER, ANTENNA	1	N/S	3974514 REFLECTOR, RECTANGULAR TAPE AMBER	2
2	3371332 BRACKET, RADIO	1	N/S	3970068 REFLECTOR, RECTANGULAR TAPERED	2
N/S	3974895 HARNESS, PANASONIC FM130 RADIO	1	N/S	3971517 P-CLAMP, VINYL COATED STEEL 5/8	3
3	NA NOT AVAILABLE IN THIS PKG	0			
			<b>CH000022810</b>	<b>DEFROST FAN (EACH)</b>	<b>1</b>
<b>CX000022806</b>	<b>SPEAKERS, EXTRA EA. 5.5"</b>	<b>4</b>	7	6570129 FAN, DEFROSTER 2-SPEED BLACK	1
04	3972268 SPEAKER, BLACK 5.5"	1	N/S	3973894 ACTUATOR, DEFROST FAN	1
N/S	3944485 TERMINAL, F INS FEM QK DISC 16-14	2	N/S	3973976 SWITCH, CARLING ON/OFF/ON	1
			N/S	3972901 HARNESS, DEFROST FAN D/S	1
<b>CH00FP22826</b>	<b>REAR CENTER BRAKE LIGHT</b>	<b>1</b>	<b>CH00FP23161</b>	<b>CIRCUIT BREAKERS</b>	<b>1</b>
05	3971446 LIGHT, STOP & TAIL ROUND	1	8	3970472 BREAKER, 15 AMP (SILVER)	8
N/S	3972986 GROMMET, 4" TAIL LIGHT	1	08	3971290 BREAKER, 20 AMP (SILVER)	1
N/S	3972919 HARNESS, REAR CNTR BRAKE LIGHT	1			



**GENERATOR, 7.5KW W/2 REMOTE START  
0418362 / 0420284, 0420283, 0420282**

ITEM PART NO. DESCRIPTION	QTY	ITEM PART NO. DESCRIPTION	QTY
<b>0418362 Generator, 7.5KW</b>		<b>0420283 Door, Generator Mount 7.5KW DLS</b>	
01 3973048 Generator, 7.5kw Diesel QD	1	03 4570133 Tube, .125 x 2 x 1 x 19.63"	2
NS 0379152 Box, AV Outlets or Landline	2	04 4570132 Tube, .125 x 1 x 1 x 40.25"	2
NS 5370156 Door, Square Corner 9" x 24" W/Thumb	2	05 4970662 Hinge, S/S 2" x 40.25"	1
NS 3975770 Converter, Dual 110V Model 555	1	06 4370078 Alucabond, 3MM x 40.25" x 21.63"	1
NS 3975769 Switch, Line Generator 50 AMPS	1	07 4941290 Latch, Vice Action	2
NS 3971312 Cord, Power 30 AMP 25 FT	1	<b>0420282 Jamb, Generator Mount 7.5KW DSL</b>	
02 <b>0420284 Frame, Generator Mount 7.5KW DSL</b>		08 4570105 Z, .75 x 1 x 2 x 43"	1
NS 0377408 Tube, 3/16 x 2 x 2 x 100 Crossmember	2	09 4570105 Z, .75 x 1 x 2 x 23.5"	2
NS 0365106 Gusset, 5 x 6 x 1/4	8		
NS 0375406 Angle, 1/4 x 2 x 2 x 20'	.5		
NS 0376249 Tube, 3/16 x 1 x 2 x 24' Hrs	.5		

# PICTUREs NOT AVAILABLE AT THIs TImE

## GENERATOR, 7.5KW W/2 REmOTE sTART 0418362 / 0420284

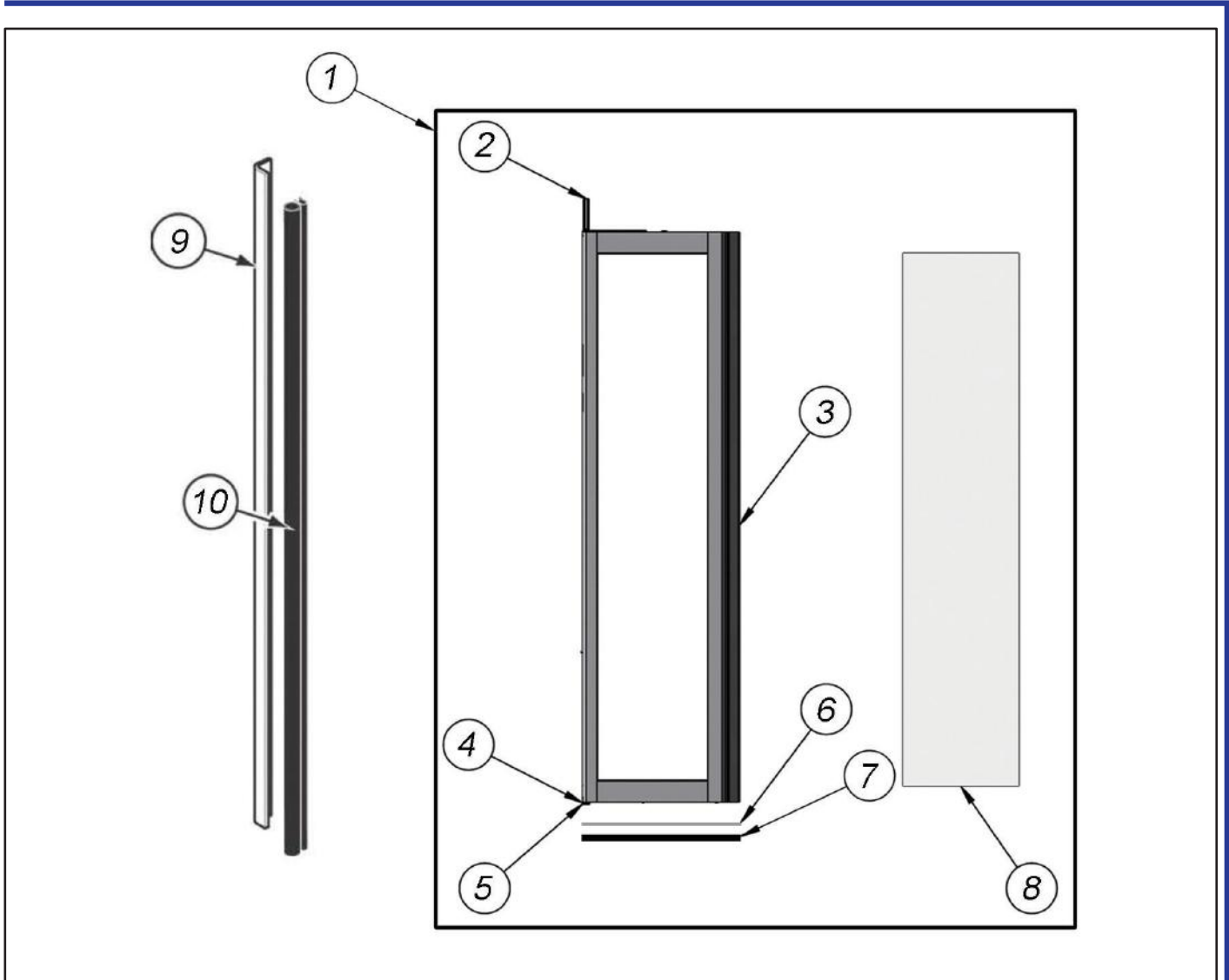
<i>ITEM PART NO. DESCRIPTION</i>	<i>QTY</i>	<i>ITEM PART NO. DESCRIPTION</i>	<i>QTY</i>
<b>0418362 Generator, 7.5KW</b>		<b>0420284 Frame, Generator Mount 7.5KW DSL</b>	
01 3973048 Generator, 7.5kw Diesel QD	1	NS 0377408 Tube, 3/16 x 2 x 2 x 100 Crossmember	2
NS 0379152 Box, AV Outlets or Landline	2	NS 0365106 Gusset, 5 x 6 x 1/4	8
NS 5370156 Door, Square Corner 9" x 24" W/Thumb	2	NS 0375406 Angle, 1/4 x 2 x 2 x 20'	.5
NS 3975770 Converter, Dual 110V Model 555	1	NS 0376249 Tube, 3/16 x 1 x 2 x 24' Hrs	.5
NS 3975769 Switch, Line Generator 50 AMPS	1		



**CHAMPION**  
**BUS, INC.**  
Thor Industries Commercial Bus Division

# SECTION 5:

# dOOrS



## Entrance Door Leaf

### All Model, All Years Bi-Fold Doors

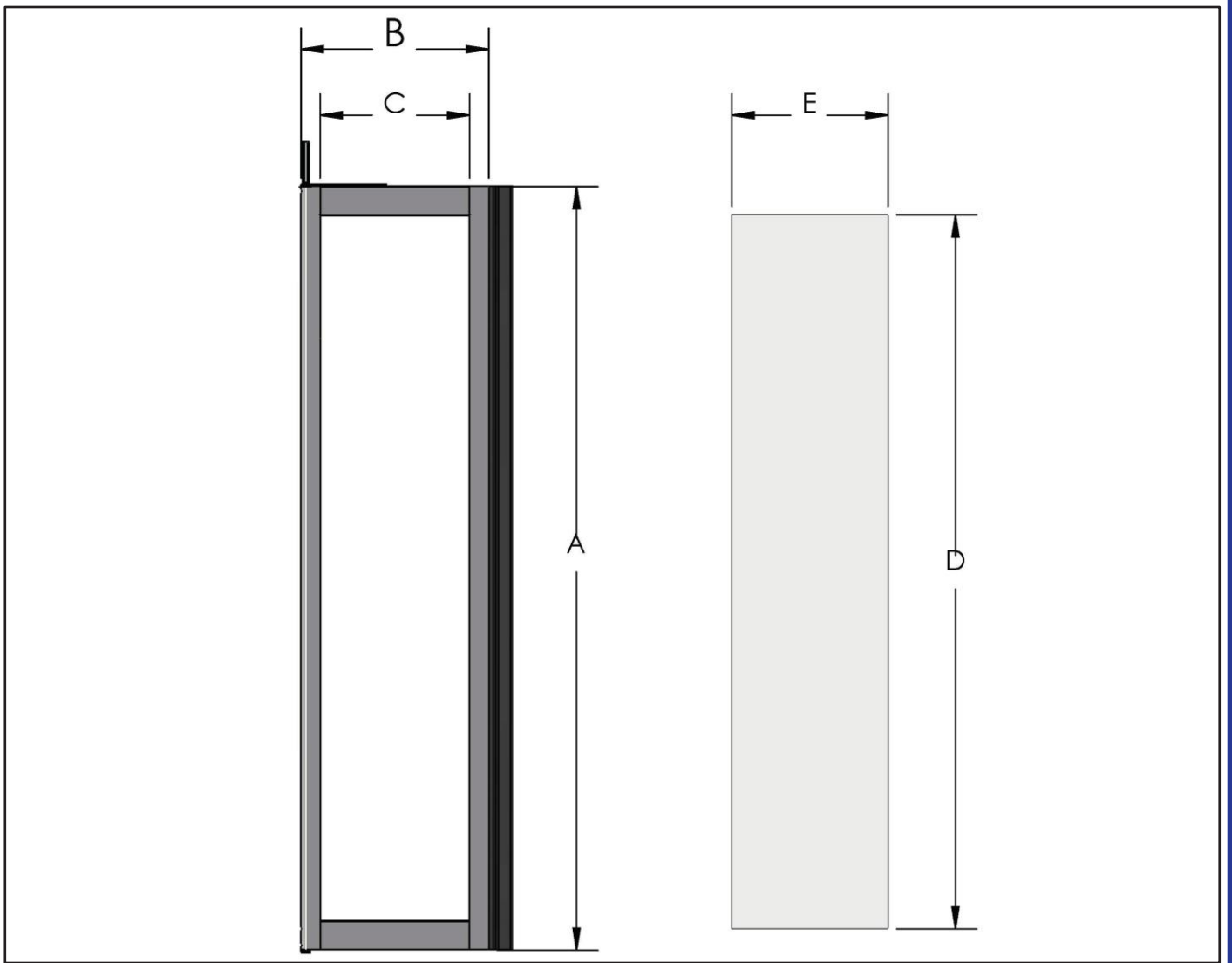
Item	Part Number	Description	QTY	Item	Part Number	Description	QTY
01		Call Your Parts and Service Department for Details	2				
02		Call Your Parts and Service Department for Details	2				
03		Call Your Parts and Service Department for Details	2				
04		Call Your Parts and Service Department for Details	2				
05	0373898*	PIVOT,LOWER DOOR	1				
06	5370616*	HOLDER,ENTRANCE DOOR BRUSH 10'	1				
07	5370615*	SEAL,ENTRANCE DOOR BRUSH 10'	1				
08		Call Your Parts and Service Department for Details	1				
09	4540142	ANGLE,ALUMINUM 1 X 1.5 X 12'	2				
10	3351566	SEAL,TRIM LOK LARGE BULB	A/R				
NS	0378789**	BRACKET,DOG BONE 30" DOOR	1				
NS	0378857**	BRACKET,DOG BONE 40" DOOR	1				

*\*Not included with Item Number 1*  
*\*\* Manual Door Only, One on Front Leaf*

Also Found in Assemblies:

Rev. 05/26/10



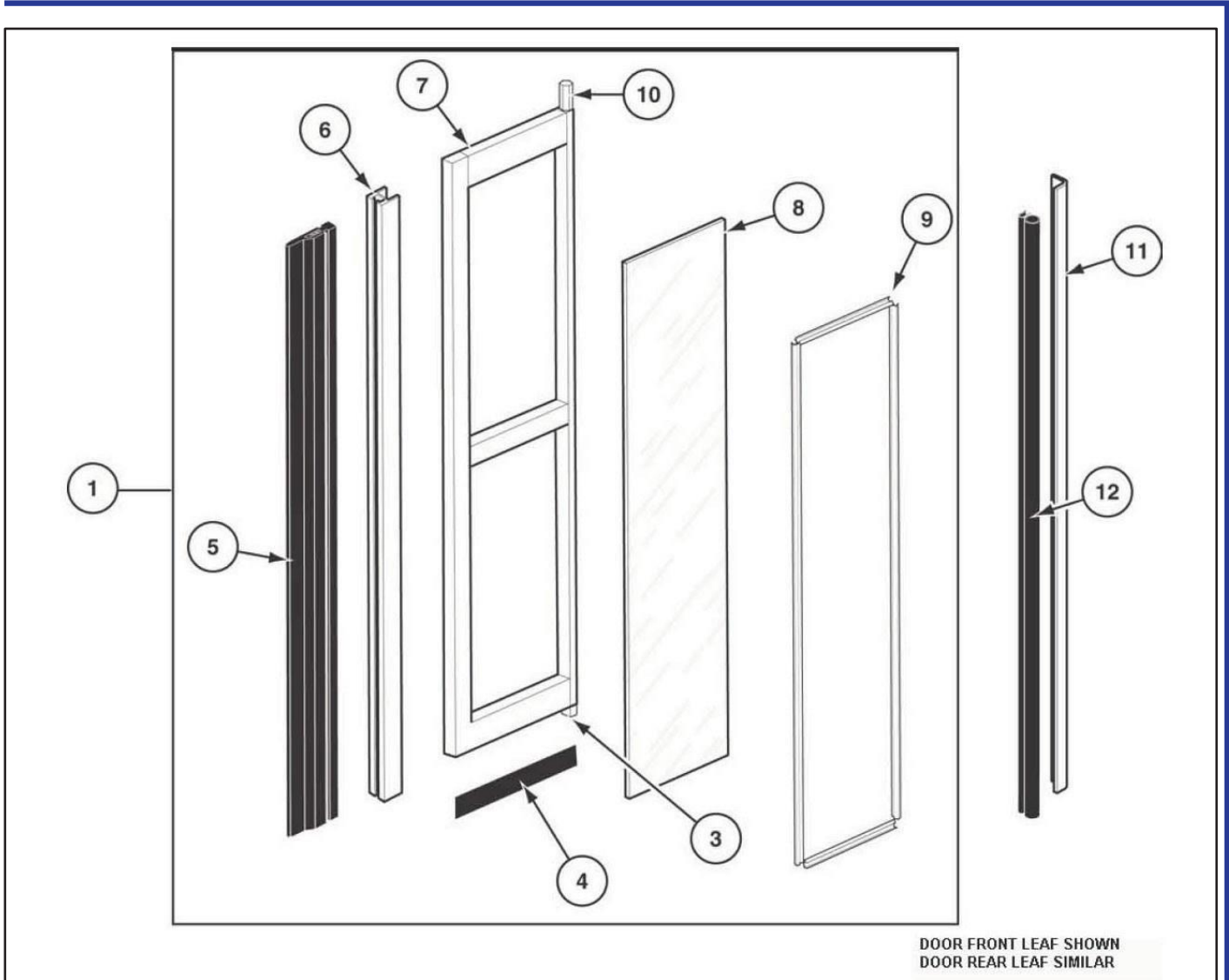


## Entrance Door Leaf

### All Model, All Years Bi-Fold Doors

Part Number	Length (A)	Width (B)
<b>32" Door Assemblies</b>		
5370363	75.75	14.75
5370619	80.75	14.75
3570641	86.375	14.75
5370621	90.75	14.75
5370627	96.375	14.75
<b>38.75" Door Assemblies</b>		
5370645	76	18.125
<b>42" Door Assemblies</b>		
5370620	80.75	19.75
5370629	81.5	19.75
5370625	86.375	19.75
5370622	90.75	19.75
5370626	96.375	19.75
5370648	95.333*	18.625*
<b>46" Door Assemblies</b>		
1016354	80.75	21.75
1015931	85	21.75

Rev. 05/26/10



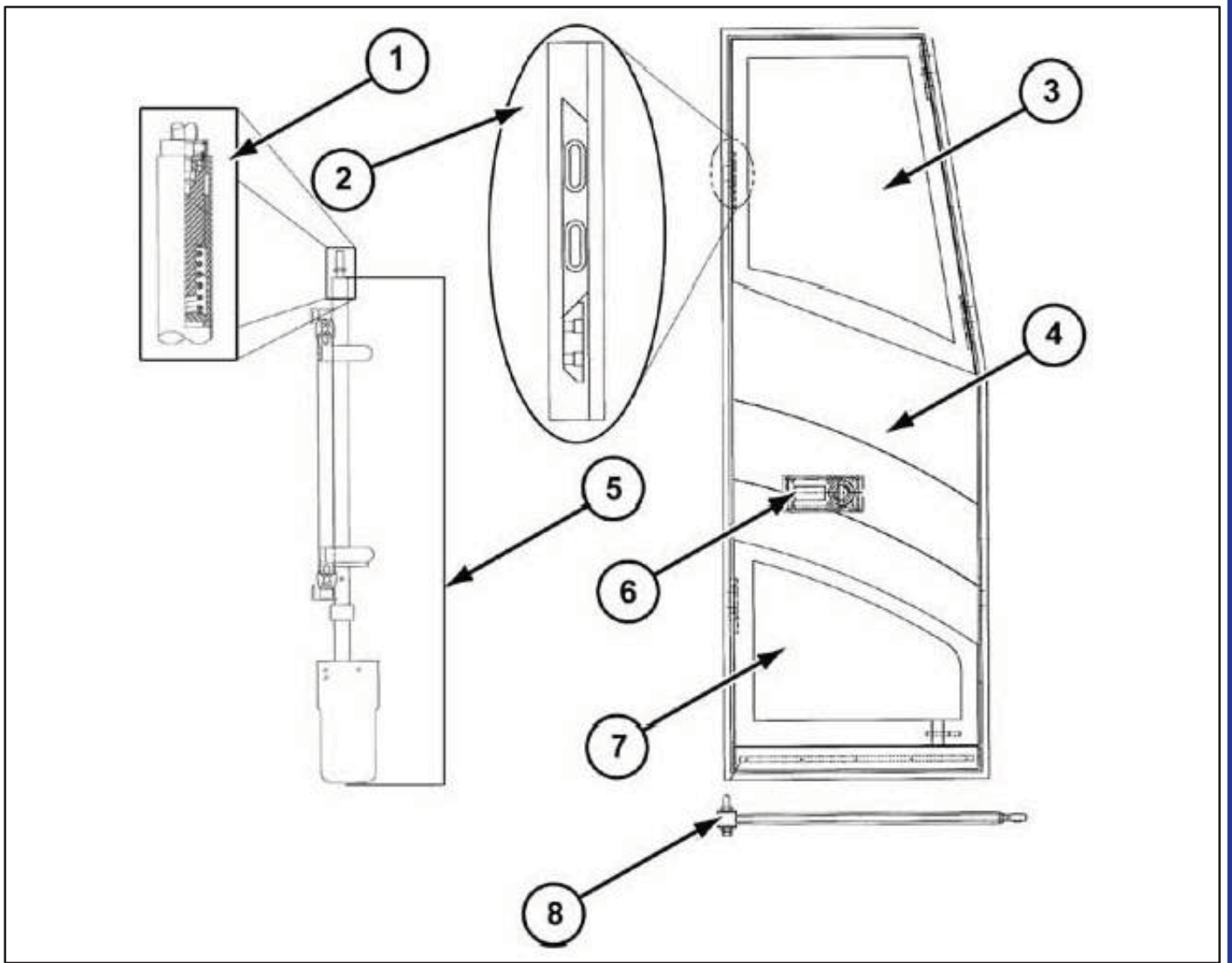
## Entrance Door Leaf

### All Model, Champion Made Replacement Parts Only

Item	Part Number	Description	QTY	Item	Part Number	Description	QTY
01		Not available as assembly. See previous pages					
03	0373898	Pivot, Lower Door					
04	0570178	Rubber, .25 x 3 x 25' RL Entry Door					
04	5370252						
05	5370180	Seal, Bi-Fold Door 60 Duro					
06	3371252	Extrusion,H Entry Door					
07	4570132	TUBE,.125"X 1"X 1"X 8' ALUMINUM RD					
	4570133	TUBE,.125 X 1"X 2"X 8' ALUMINUM RD					
08	<b>CALL</b>	Glass					
09	4570116	Extrusion,ENTR Door Glass					
10	0371807	Pin,Top Entry Door					
11	4540142	Angle, Aluminum 1 x 1.5 x 12					
12	3351566	Seal,Trim Lok Large Bulb					
NS	3371423	Bushing,Door Pivor .25" Thick					
NS	8970394	Tape,Window Sealex 1/4 x 1/2					
NS	8970414	Tape,Foam .5 x .75 x 25'					

Also Found in Assemblies:

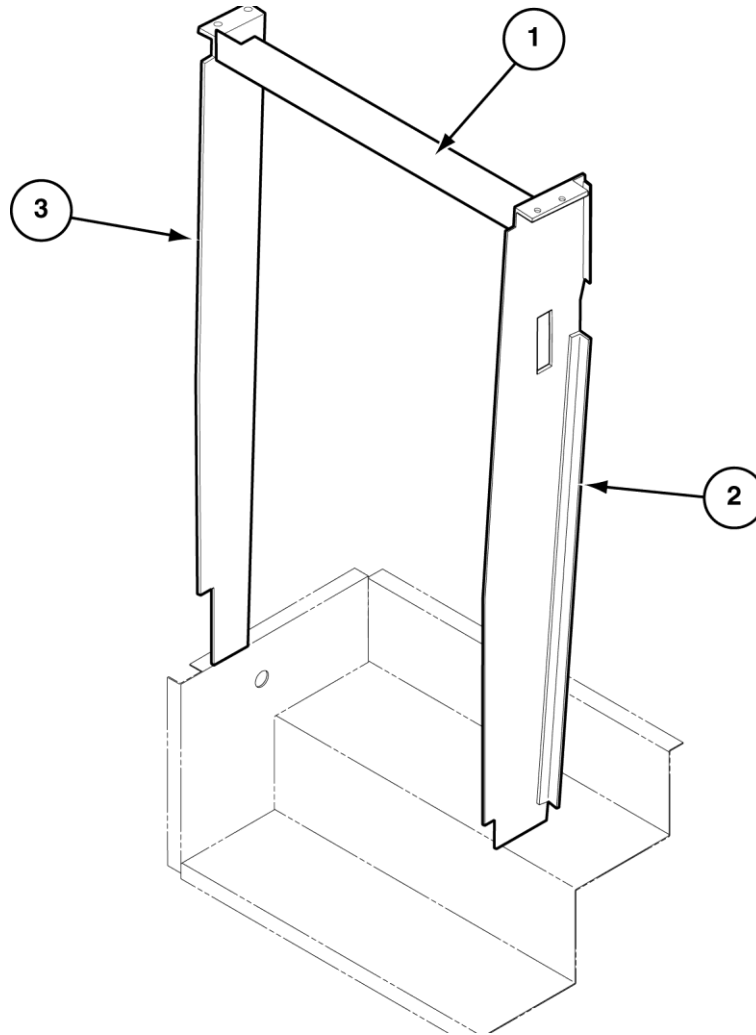
Rev. 05/26/10



## Entrance Door Plug

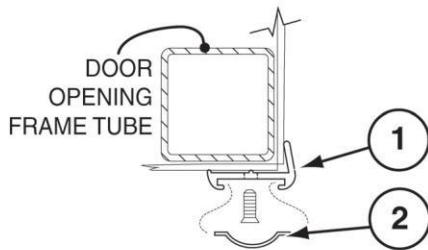
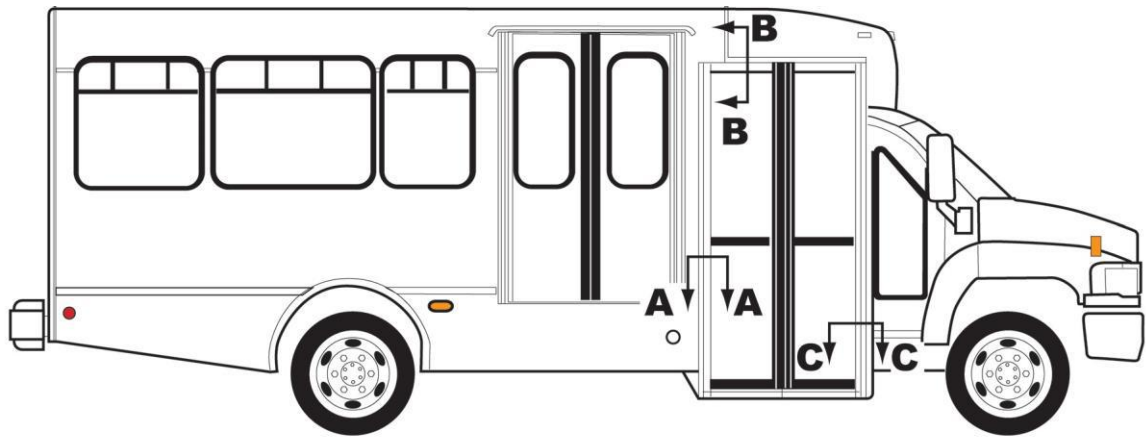
Item Part Number Description	QTY	Item Part Number Description	QTY
Call Your Parts and Service Department for Details		Also Found in Assemblies:	

Rev. 05/26/10

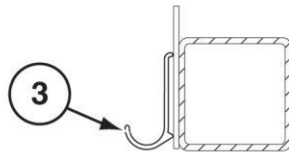


## 30" Entry Door Frame 0407459

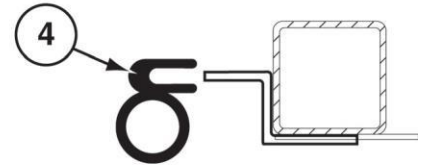
<i>ITEM PART NO. DESCRIPTION</i>	<i>QTY</i>	<i>ITEM PART NO. DESCRIPTION</i>	<i>QTY</i>
1 0376285 Header, 34¼" Entrance 4 Deg	1		
2 0376504 Wing, Ent Door Front 1.5"	1		
3 0376284 Wing, Entrance Door Rear 2"	1		
N/S 3371554 Cap, Rear Wing Entrance Door	1		
N/S 3371572 Cap, Front Wing Entrance Door	1		
N/S 0376124 Bracket, Para Switch Pre Hung	1		
N/S 8970817 Seal, Paratransit Pre-Hung Door	3.5		



**SECTION A-A**



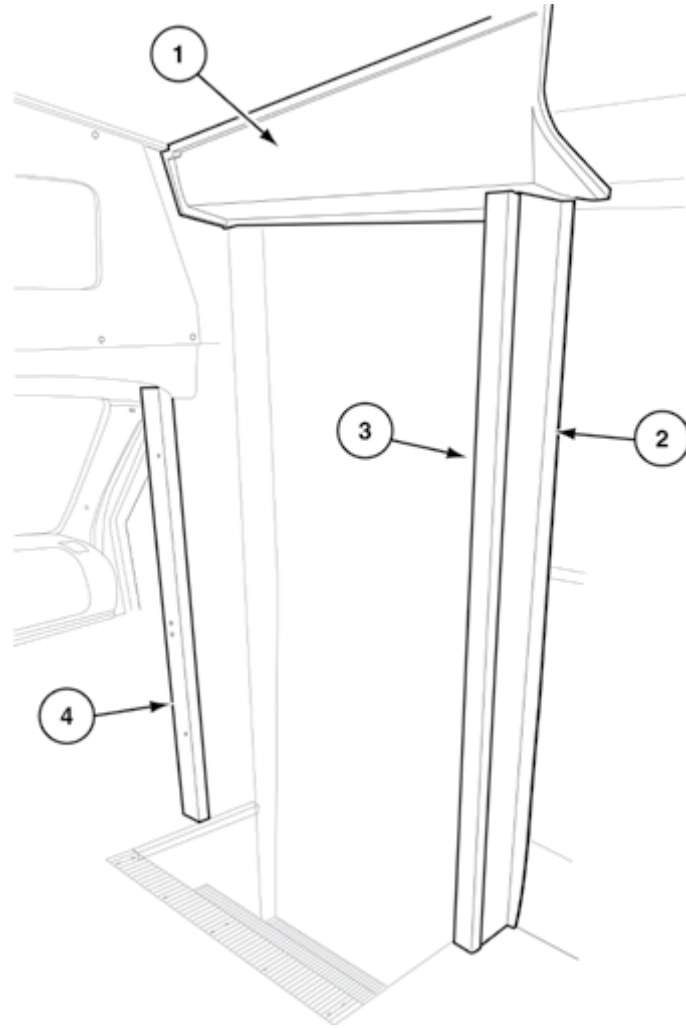
**SECTION B-B**



**SECTION C-C**

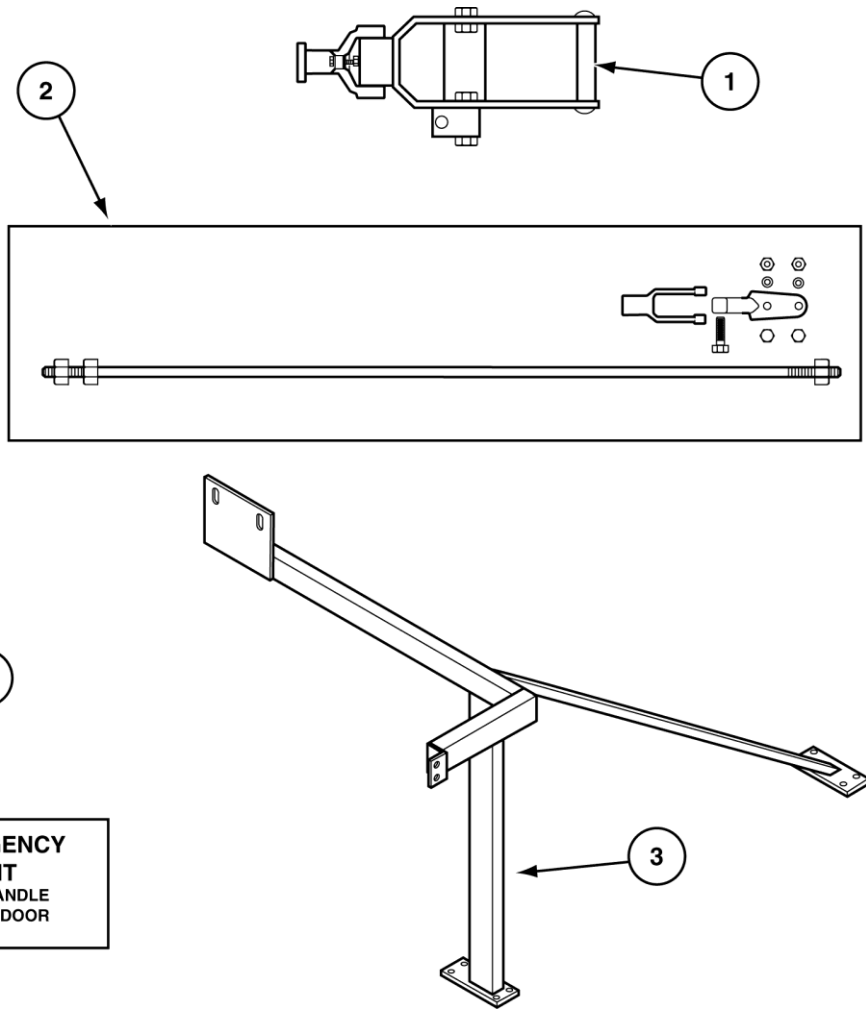
## 30" composite door exterior trim 0402717

ITEM PART NO. DESCRIPTION	QTY	ITEM PART NO. DESCRIPTION	QTY
1 4541124P EDGE, DOOR OPENING (POLAR WHITE)	A/R		
2 3341237P INSERT, 1" (POLAR WHITE)	A/R		
3 4570143 CAP, DRIP (POLARWHITE) W/O HOLES	A/R		
4 3351566 SEAL, TRIM-LOK (LARGE BULB)	A/R		
N/S 4970423 BUMPER, RUBBER (1" x 1½")	2		
N/S 3971521 GROMMET, RUBBER (¾")	2		



**30" door opening interior trim  
0407860-m2**

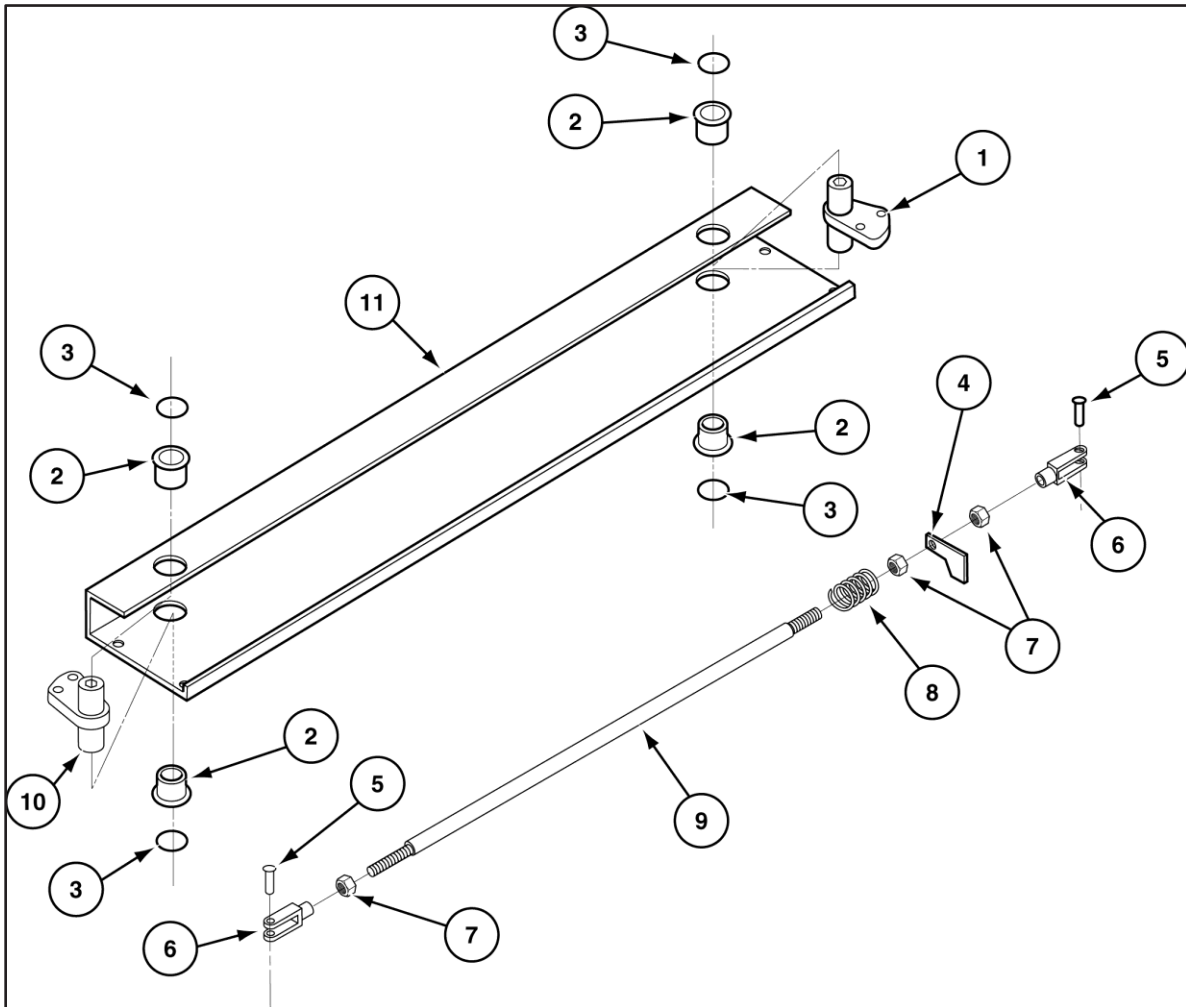
<i>ITEM PART NO. DESCRIPTION</i>	<i>QTY</i>	<i>ITEM PART NO. DESCRIPTION</i>	<i>QTY</i>
1 3371439 COVER, 30" ENTRY DOOR HEADER, ABS DF	1		
2 3350543 TRIM, BUS CORNER	1		
3 3371555 FILLER, REAR WING ENTRY DOOR TOP	1		
NS 3371978 TRIM, CEILING GAP HIDER ABS COVERS	4		
NS 0970119 PANEL, VINYL CLAD TO LAUAN 4 x 8 SHEET	AR		



## 30" MANUAL DOOR T-BAR INSTALL

### 0405507 / 0405505

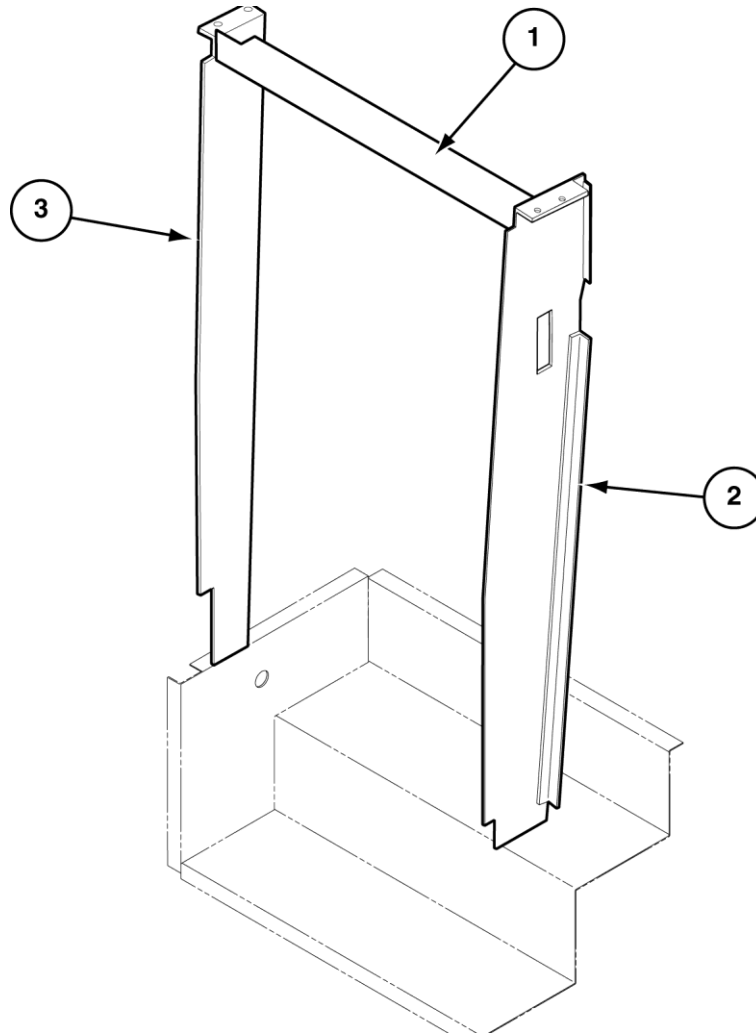
ITEM	PART NO.	DESCRIPTION	QTY	ITEM	PART NO.	DESCRIPTION	QTY
1	5370069	CONTROL, MANUAL DOOR	1	N/S	3371417	PANEL, MODESTY 1/4 x 25 x 24 ABS GR A/R	
2	0200957	BAR, 30" MANUAL DOOR ATTACHING 12.561		N/S	8541526	BOLT, HEX 3/8 x 1 1/2" USS GR5 PLATED	2
3	0405505	T-BAR MANUAL DOOR (DF, EZ)	1	N/S	8570838	WASHER, LOCK 3/8" PLATED	2
4	8970063	DECAL, EXIT EMERGENCY PULL HNDL	1	N/S	8540700	NUT, HEX 3/8 GR8 USS NYLOC	2
N/S	0376002	BRACE, MANUAL T-BAR	1	N/S	3370900	CAP, PLASTIC TUBE 1-1/2" x 2.0"	1



## 30" manual door header 5370617

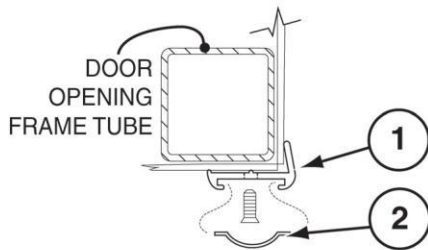
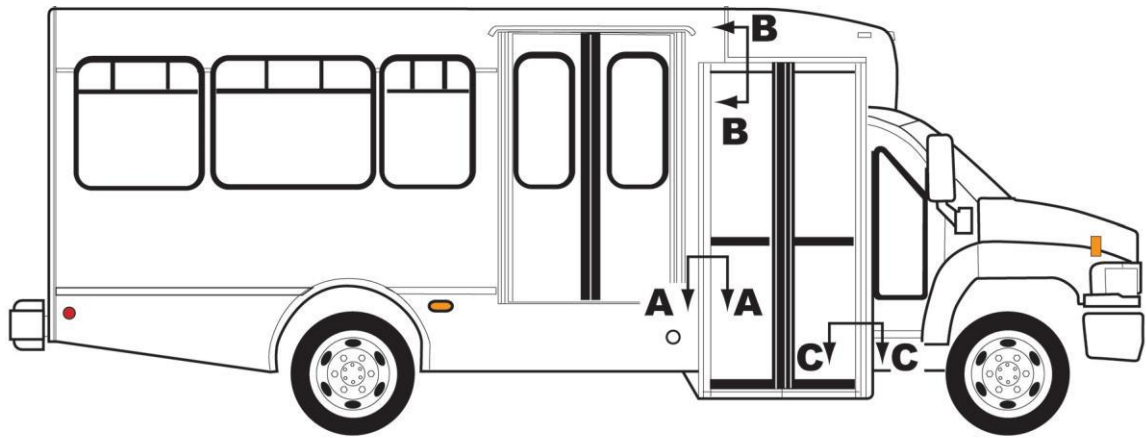
ITEM PART NO. DESCRIPTION	QTY	ITEM PART NO. DESCRIPTION	QTY
<b>00 5370617 Header, 32" Manual Door</b>		08 5370172 Spring, 1.64 x .656	2
01 0371278 Arm, Pivot Manual Door	1	9 0373882 Rod, 42" Manual Door Control	1
02 4970133 Bushing, EF162016	4	10 0371278 Arm, Pivot Manual Door	1
03 8570137 Clip, Ring 8710	4	11 0373883 Header, 42" Control Mechanical	1
04 0370106 Bracket, Door Switch Striker	1	NS 8570095 Nut, Fold Over 5/16-18 8814	4
05 4970125 Pin, Yoke	2	NS 8570210 Pin, Cotter 3/32 x 1¼	2
06 4970109 Yoke, Adjustable B27084ALH	1	NS 8542177 Bolt, Hex 5/16 x 1¼ GR5 Serated	4
6 4970117 Yoke, R/H Adjustable B27084A	1	NS 8570862 Bolt, Hex 5/16 x 1.0 GR5 Serrated	4
7 8541047 Nut, Hex 3/8 GR5 SAE Left Hand	1		
8541039 Nut, Hex 3/8 GR5 SAE Right Hand	2		



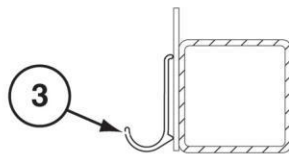


## 30" Entry Door Frame 0407459

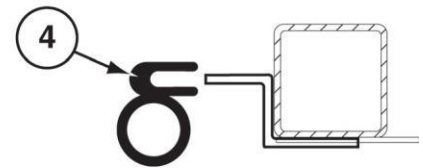
<i>ITEM PART NO. DESCRIPTION</i>	<i>QTY</i>	<i>ITEM PART NO. DESCRIPTION</i>	<i>QTY</i>
1 0376285 Header, 34¼" Entrance 4 Deg	1		
2 0376504 Wing, Ent Door Front 1.5"	1		
3 0376284 Wing, Entrance Door Rear 2"	1		
N/S 3371554 Cap, Rear Wing Entrance Door	1		
N/S 3371572 Cap, Front Wing Entrance Door	1		
N/S 0376124 Bracket, Para Switch Pre Hung	1		
N/S 8970817 Seal, Paratransit Pre-Hung Door	3.5		



**SECTION A-A**



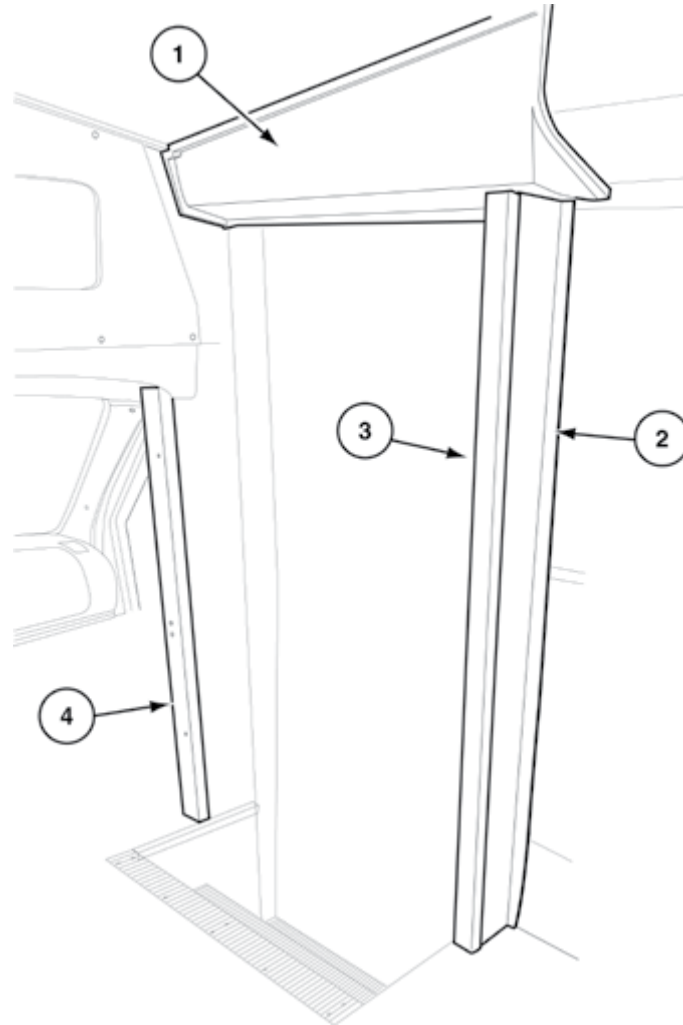
**SECTION B-B**



**SECTION C-C**

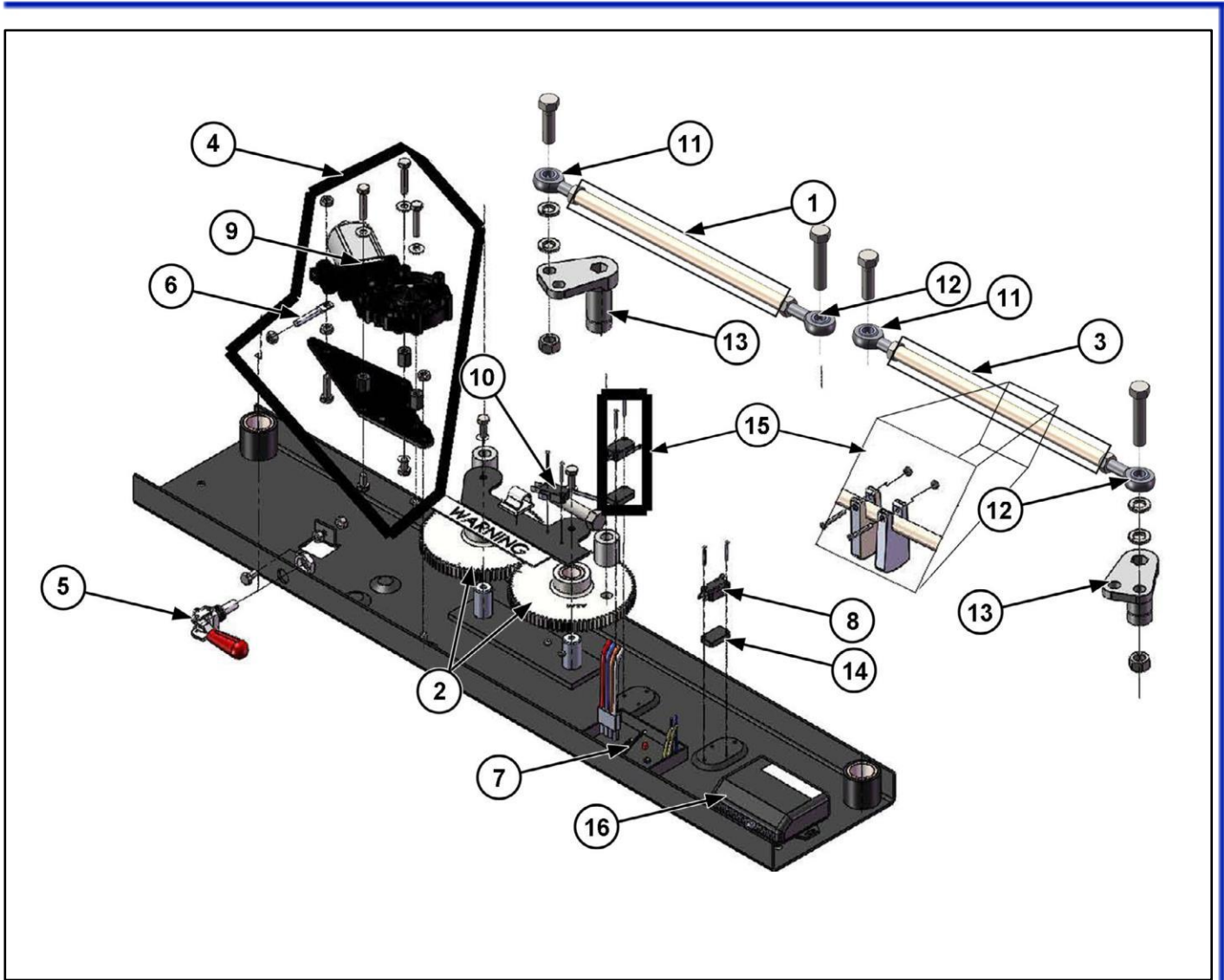
## 30" composite door exterior trim 0402717

ITEM	PART NO.	DESCRIPTION	QTY	ITEM	PART NO.	DESCRIPTION	QTY
1	4541124P	EDGE, DOOR OPENING (POLAR WHITE)	A/R				
2	3341237P	INSERT, 1" (POLAR WHITE)	A/R				
3	4570143	CAP, DRIP (POLARWHITE) W/O HOLES	A/R				
4	3351566	SEAL, TRIM-LOK (LARGE BULB)	A/R				
N/S	4970423	BUMPER, RUBBER (1" x 1½")	2				
N/S	3971521	GROMMET, RUBBER (¾")	2				



## 30" door opening interior trim 0407860-m2

<i>ITEM PART NO. DESCRIPTION</i>	<i>QTY</i>	<i>ITEM PART NO. DESCRIPTION</i>	<i>QTY</i>
1 3371439 COVER, 30" ENTRY DOOR HEADER, ABS DF	1		
2 3350543 TRIM, BUS CORNER	1		
3 3371555 FILLER, REAR WING ENTRY DOOR TOP	1		
NS 3371978 TRIM, CEILING GAP HIDER ABS COVERS	4		
NS 0970119 PANEL, VINYL CLAD TO LAUAN 4 x 8 SHEET	AR		



## Entrance Door Controls Electric Door

Item	Part Number	Description	QTY	Item	Part Number	Description	QTY
01		Call Your Parts and Service Department for Details	1				
02	1013443	GEAR, MAIN AM SYSTEMS	2				
03		Call Your Parts and Service Department for Details	1				
04	1014034	MOTOR ASSEMBLY	1				
05	1013444	EMERGENCY RELEASE HANDLE	1				
06	1014324	BOLT,HANGER 1/4 FLATTENED END X 2"	1				
07	1014937	PC BOARD, AUTO REOPEN	1				
08	3972541	SWITCH,MICROA&M	A/R				
09	1016840	MOTOR,ELECTRIC DOOR A&M	1				
10	1016301	SWITCH,LIMIT AUTO REOPEN ONLY	1				
11	1015921	END,ROD R/H A & M SYSTEMS	2				
12	1015922	END,ROD L/H A & M SYSTEMS	2				
13	1016224	ACTUATOR,ARM 2 HOLE	2				
14	1016208	SPACER,SWITCH ASSY-A&M	A/R				
15	3973804	DOOR KIT,HEADER A&M NOT CLOSED	A/R				
16		Call Your Parts and Service Department for Details	1				

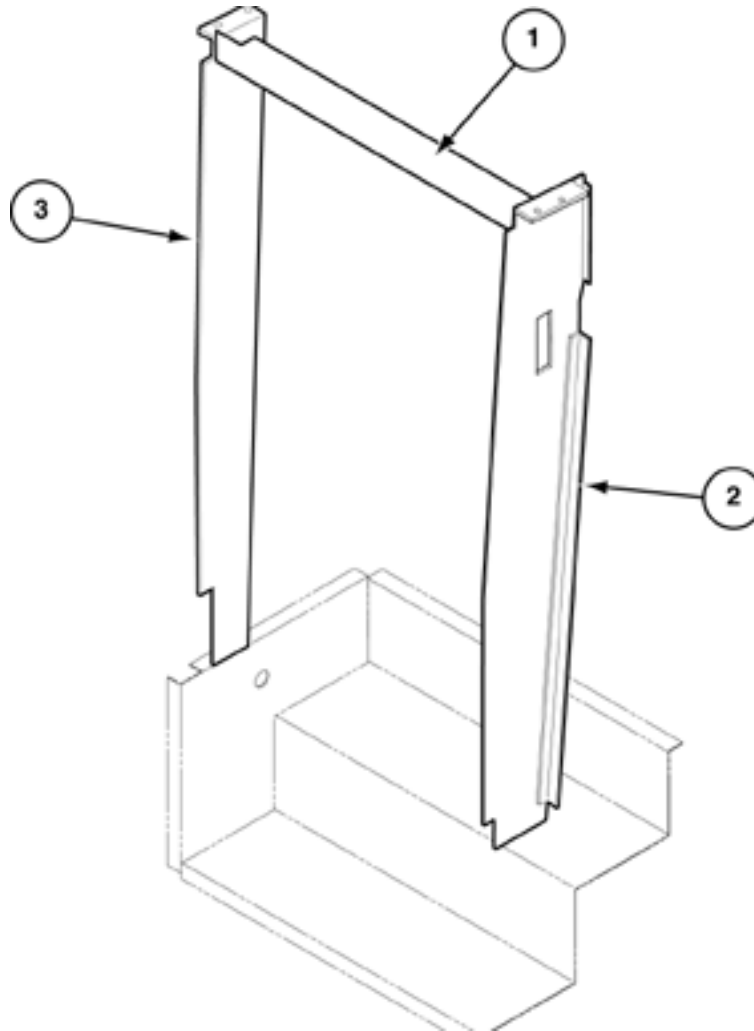
Also Found in Assemblies:  
 0402852, 0403417, 0404044, 0404520, 0406396, 0406756  
 0408908, 0414076, 0402851, 0404519, 0406266, 0409162  
 0414075, 0414093

Rev. 05/26/10



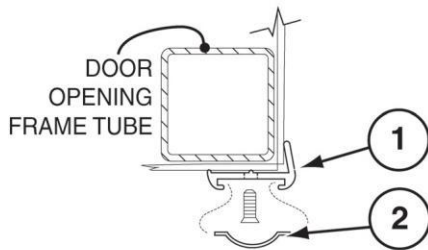
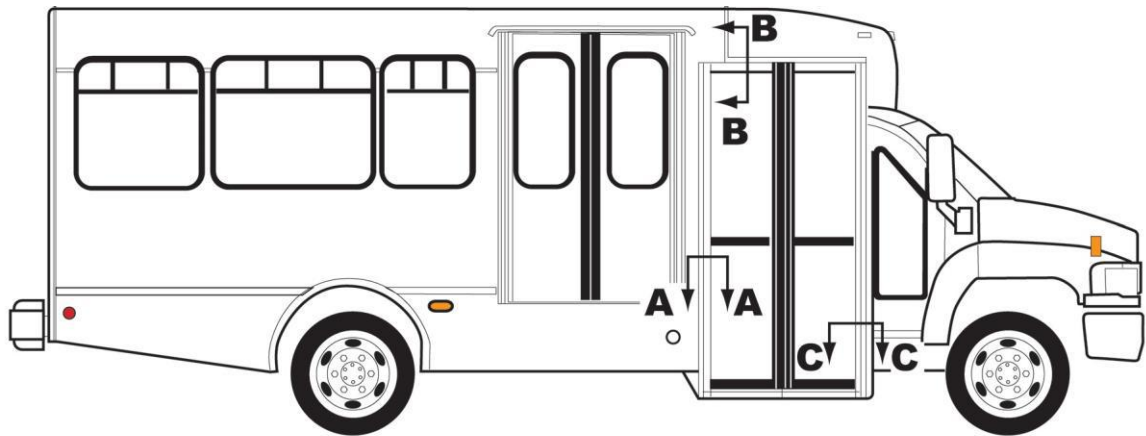
**bode plug entry door**  
**0420349 / 5370659**

<i>ITEM</i>	<i>PART NO.</i>	<i>DESCRIPTION</i>	<i>QTY</i>	<i>ITEM</i>	<i>PART NO.</i>	<i>DESCRIPTION</i>	<i>QTY</i>
01	5370659	Door, Bode Single Plug 36" x 89.625"	1				

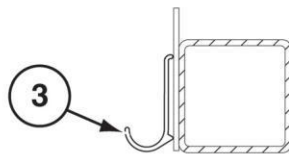


**bode plug entry door**  
**0420349 - 0409690dF**

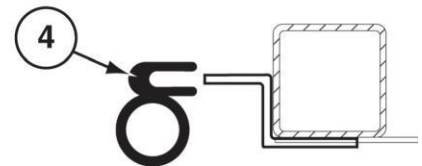
<i>ITEM</i>	<i>PART NO.</i>	<i>DESCRIPTION</i>	<i>QTY</i>	<i>ITEM</i>	<i>PART NO.</i>	<i>DESCRIPTION</i>	<i>QTY</i>
1	0376285	Header, 34¼" Entrance	1				
2	0376504	Wing, Entrance Door Front 1.5" DF	1				
3	0376284	Wing, Entrance Door Rear 2" (4 Deg)	1				
N/S	0374280	Gusset, Cab Support	1				
N/S	0374305	Rod, Step Support 3/8 x 34	1				
N/S	0370718	Tube, 14GA 1 x 1 x 24'	AR				
N/S	0377014	Stud, Sidewall 11GA 1.5 x 64.75 Plug	2				



SECTION A-A



SECTION B-B

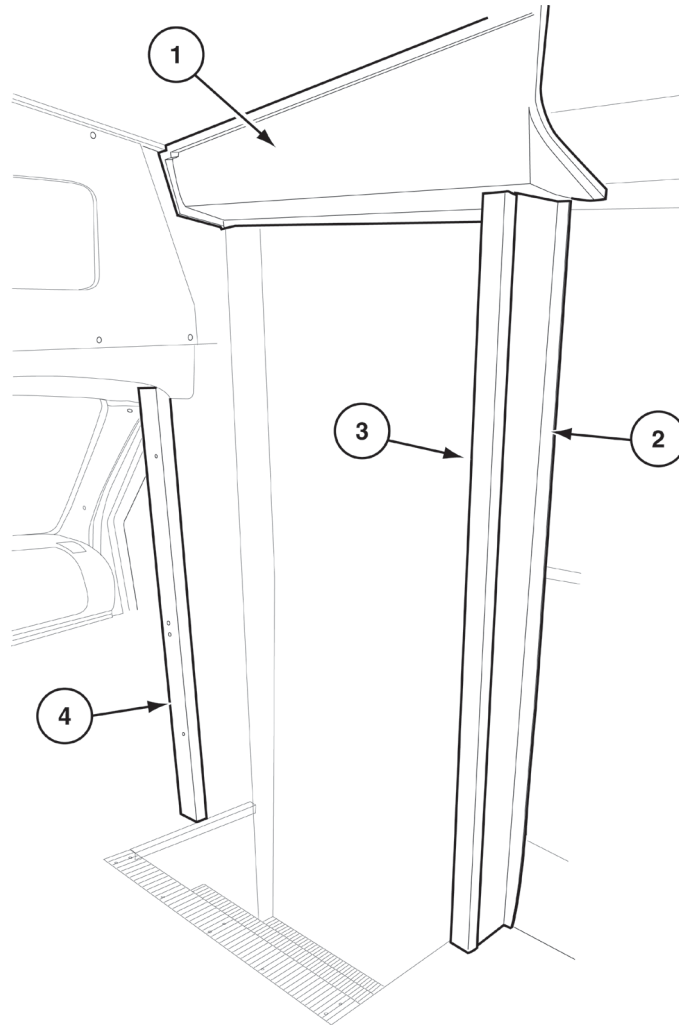


SECTION C-C

## 30" COMPOSITE DOOR EXTERIOR TRIM

### 0420349 / 0402717

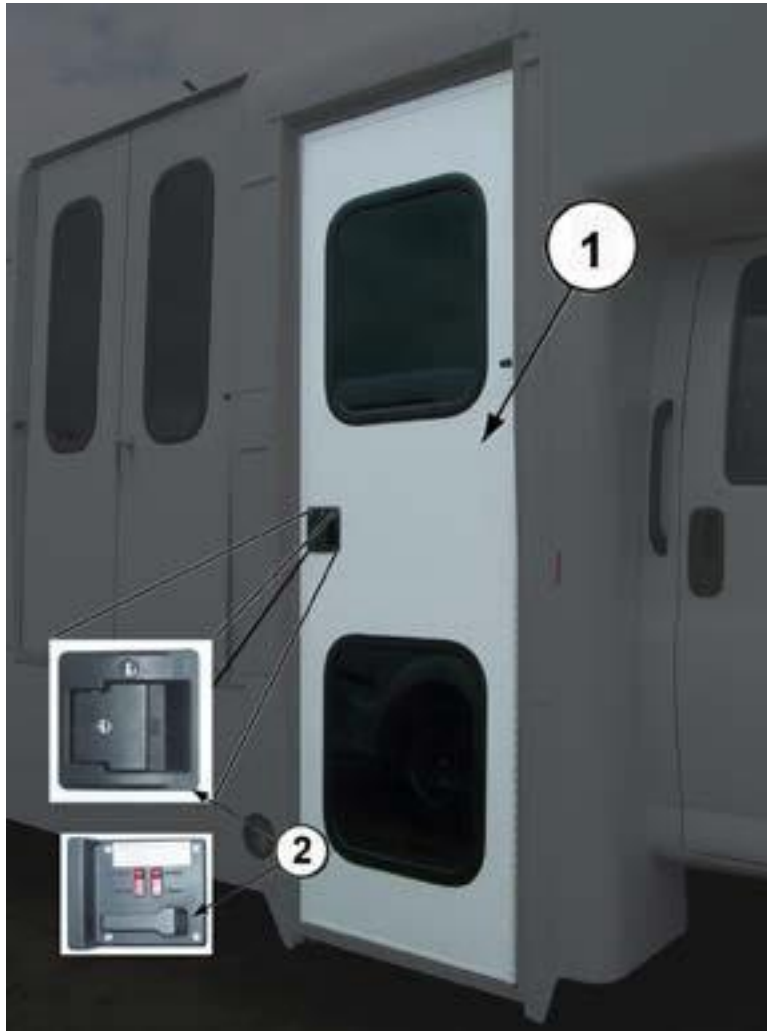
ITEM	PART NO.	DESCRIPTION	QTY	ITEM	PART NO.	DESCRIPTION	QTY
1	4541124P	EDGE, DOOR OPENING (POLAR WHITE)	A/R				
2	3341237P	INSERT, 1" (POLAR WHITE)	A/R				
3	4570143	CAP, DRIP (POLARWHITE) W/O HOLES	A/R				
4	3351566	SEAL, TRIM-LOK (LARGE BULB)	A/R				
N/S	4970694	BUMPER, DOOR STOPPER RUBBER 2.25" BLK	2				
N/S	3971521	GROMMET, RUBBER (3/4")	2				



**30" DOOR OPENING INTERIOR TRIM**  
**0420349 / 0406945**

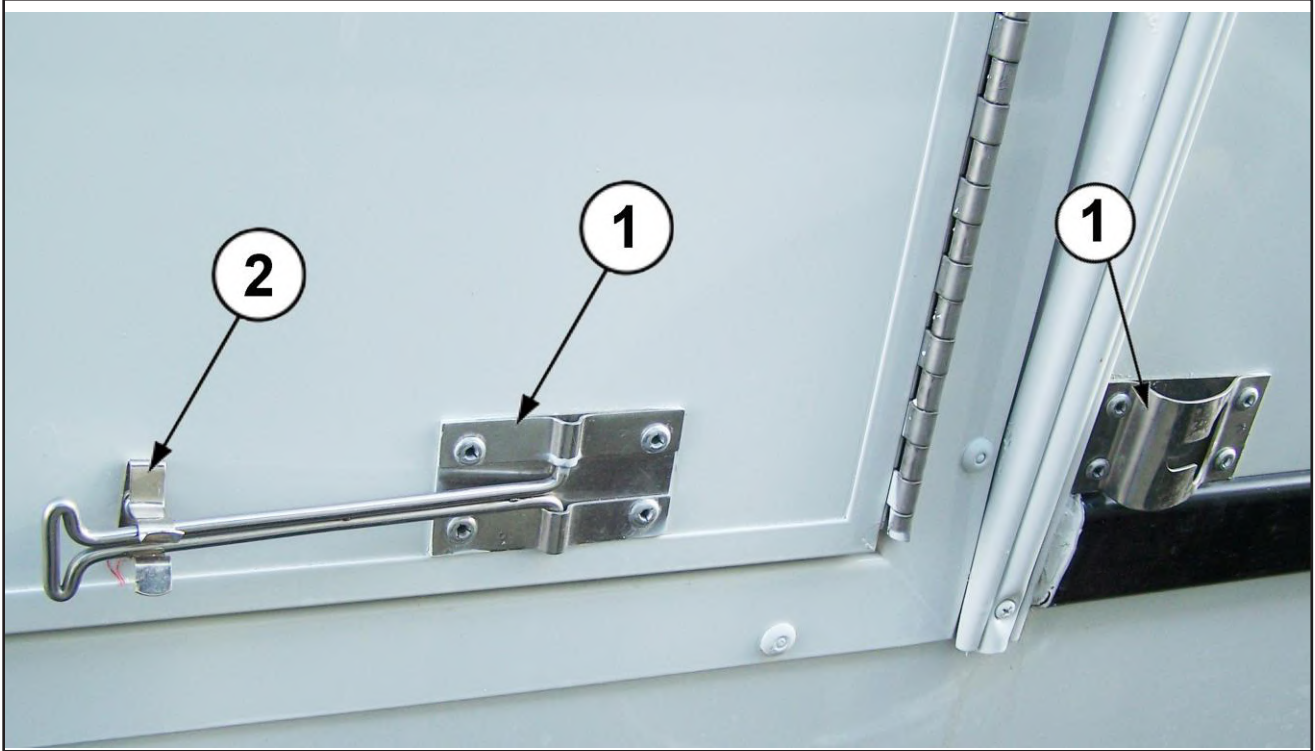
<i>ITEM PART NO. DESCRIPTION</i>	<i>QTY</i>	<i>ITEM PART NO. DESCRIPTION</i>	<i>QTY</i>
1 3371437 COVER,30"ENTRY DOOR HEADER	1		
2 3371224 POST,ENTRY DOOR (BACKSIDE)	1		
3 3371554 CAP,ENTRY DOOR OPENING REAR	1		
N/S 3371555 FILLER,ENTRY DOOR OPENING REAR WING TOP	1		





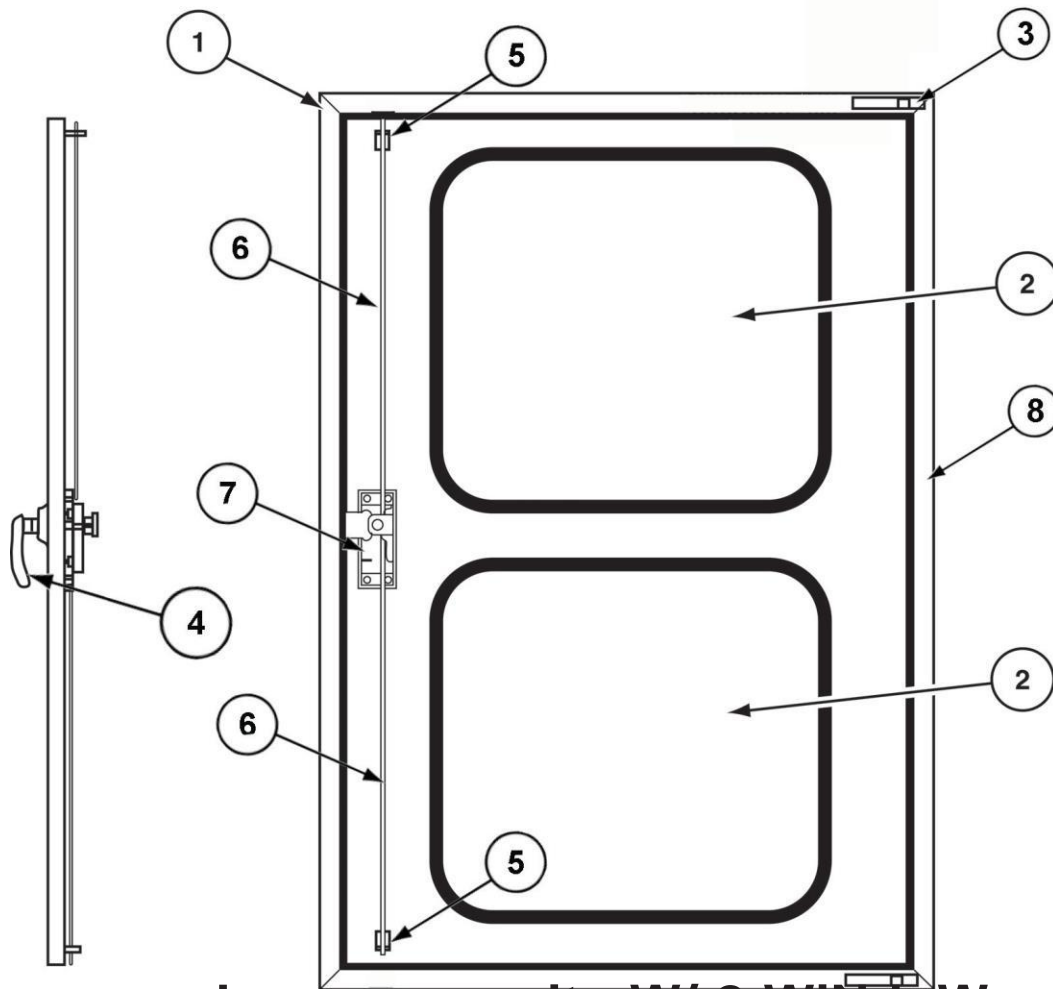
**RV ENTRY DOOR (34 X 89.40)**  
**0422756 / 0419954**

<i>ITEM</i>	<i>PART NO.</i>	<i>DESCRIPTION</i>	<i>QTY</i>	<i>ITEM</i>	<i>PART NO.</i>	<i>DESCRIPTION</i>	<i>QTY</i>
<b>0419954 Door, RV Entry Substructure M2 19.5</b>				<b>0416673 Install, Brush/Holder Door 30"</b>			
01	3372038	Door, Entry RV 34 x 90 DF-M2	1	NS 5370615	Seal, Entrance Door Brush 10'		.2
02	NA	Door Handle (Contact Parts Rep.)		NS 5370616	Seal, Entrance Door Brush Holder 10'		.2
				NS 3351566	Seal, Trim Lok Large Bulb		10
				NS 4540142	Angle, Aluminum 1 x 1.5 x 12'		1



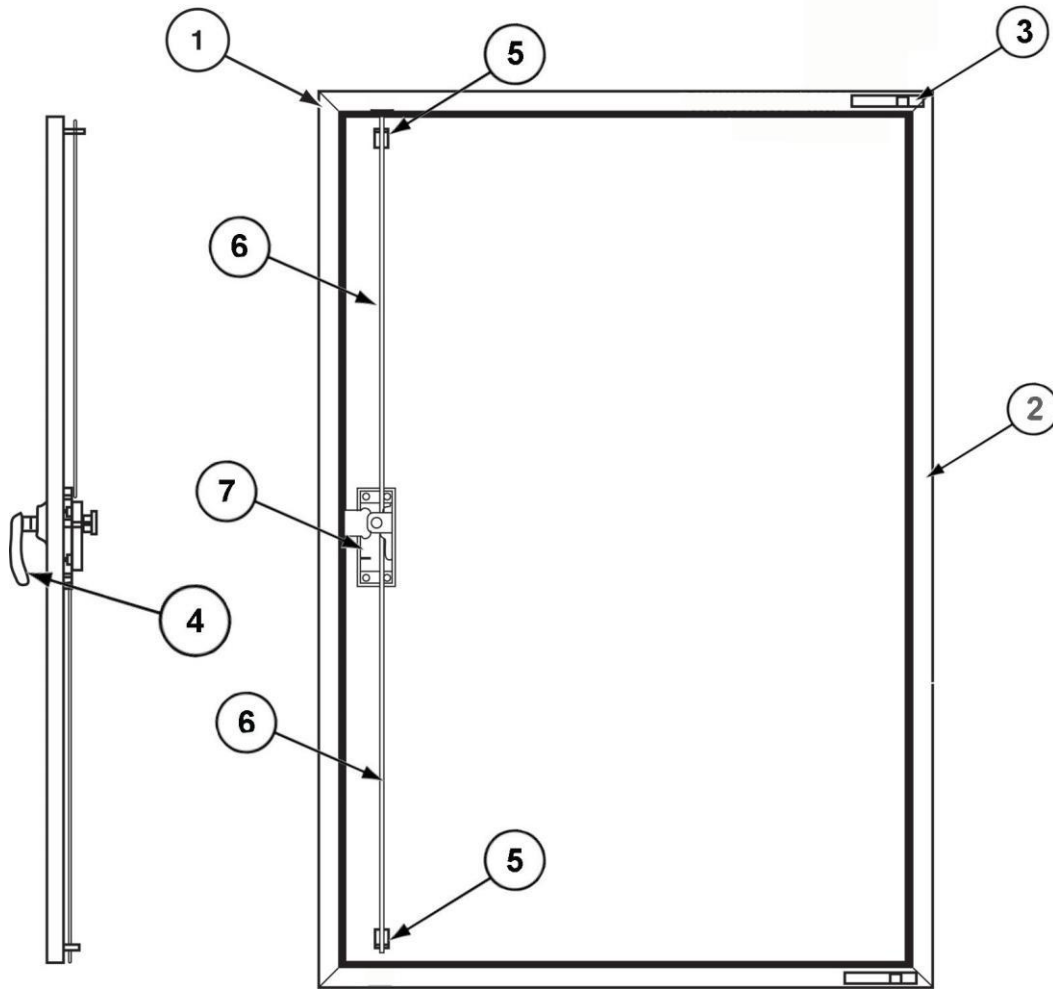
**REAR DOOR HOLDER - LATCH 6"**  
**0418316 / 0418315**

<i>ITEM PART NO. DESCRIPTION</i>	<i>QTY</i>	<i>ITEM PART NO. DESCRIPTION</i>	<i>QTY</i>
01 4570187 Holder, Door 6" S/S	1		
02 8571308 Holder, Spring Action	1		
NS 0364836 Steel, Flat 16GA x 3" x 96"	AR		



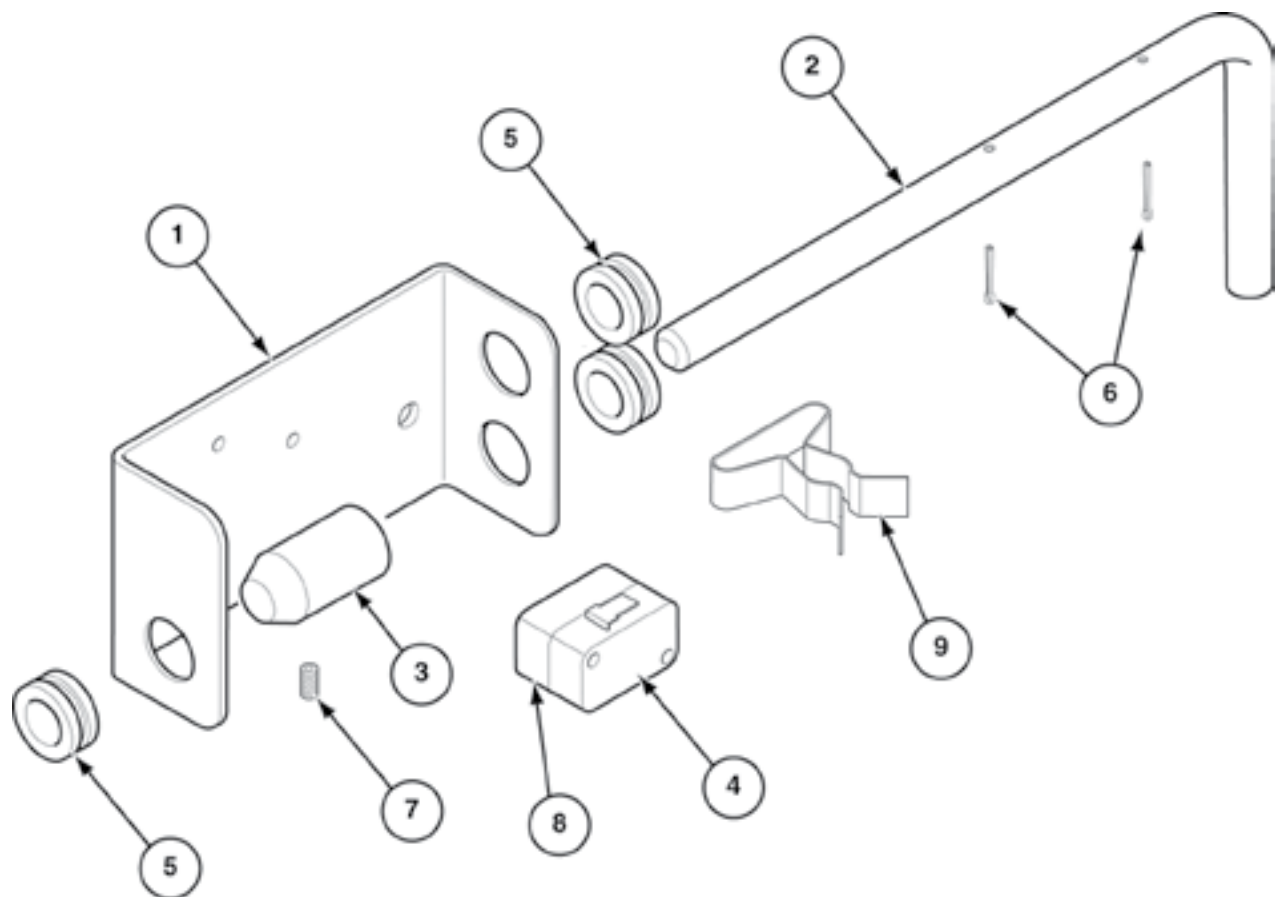
**rear door composite W/ 2 Windows**  
**cH000054040 (LoCKiNG or NoN-LoCKiNG)**  
**0415284**

ITEM PART NO.	DESCRIPTION	QTY	ITEM PART NO.	DESCRIPTION	QTY
01	3371731 DOOR,CARGO REARS/S JAMB(PRE-HUNG)	1			
02	5970874 WINDOW (24" x 22")	2			
3	0377705 STOP,CARGO DOOR	1			
4	1015206 HANDLE,LOCKING OUTSIDE	1			
4	1015207 HANDLE,NON-LOCKING OUTSIDE	1			
5	0374253 GUIDE,REAR CARGO DOOR ROD	2			
06	4970182 DOOR ROD,48"	2			
7	4970457 LATCH,3-POINT CENTERCNTRL W/248" RODS	1			
8	1015590 HINGE,3-POINT FOR 1230 DOOR	1			
N/S	1015254 HANDLE,INSIDE	1			
N/S	3973898 ACTUATOR,REAR DOOR	1			
N/S	4570143 CAP,DRIP W/O HOLES POLARWHITE	A/R			



**rear cargo door**  
**0415285 / cX0000054038 (reV-a)**

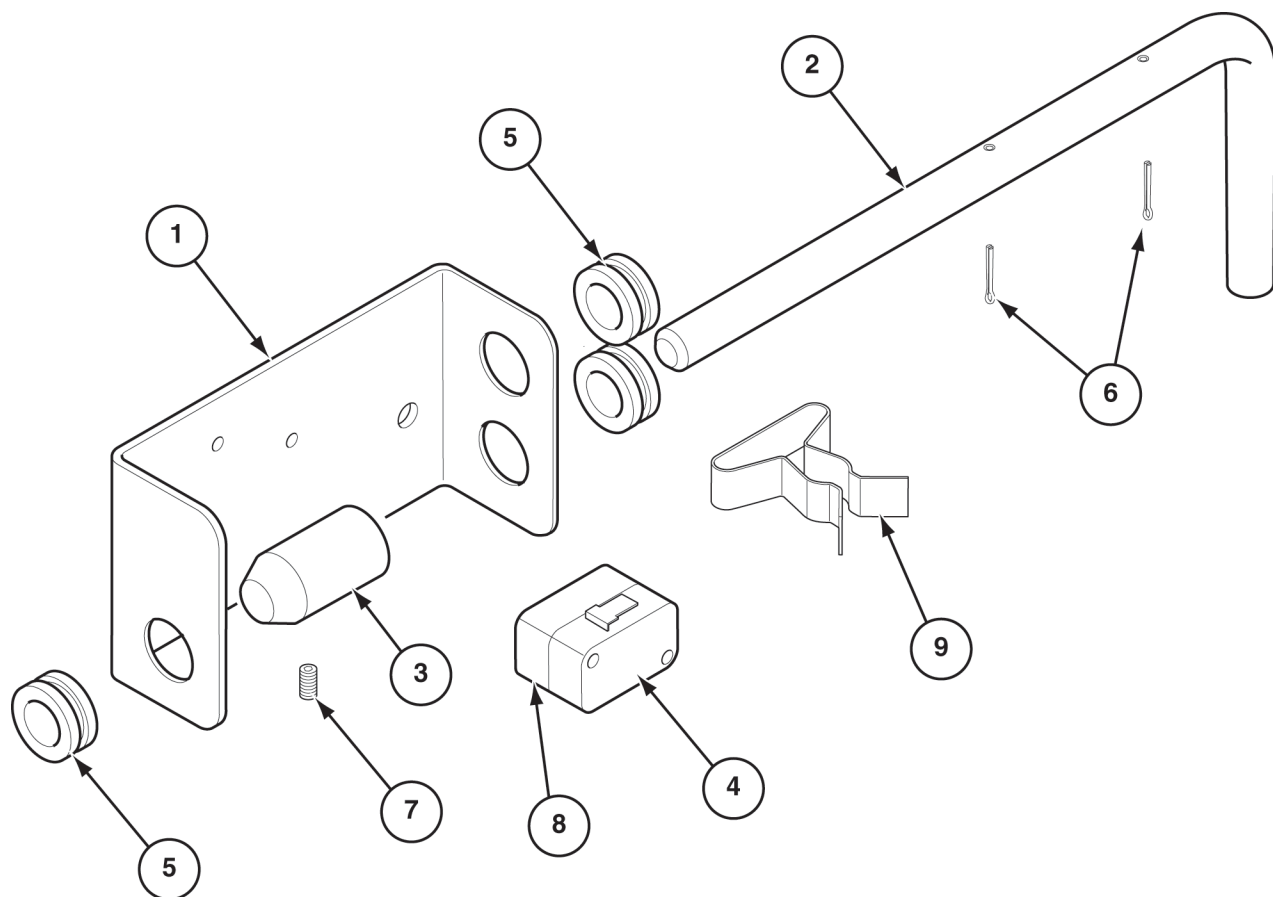
<i>ITEM PART NO.</i>	<i>DESCRIPTION</i>	<i>QTY</i>	<i>ITEM PART NO.</i>	<i>DESCRIPTION</i>	<i>QTY</i>
1	3371731 DOOR ASM., CARGO (PRE-HUNG)	1	N/S 3973898	ACTUATOR, REAR DOOR	1
2	1015590 HINGE, 3-POINT FOR 1230 DOOR	1	N/S 4570143	CAP, DRIP W/O HOLES	A/R
3	0377705 STOP, CARGO DOOR	1	N/S 3371674	COVER, LIFT DOOR SWITCH GRAY	1
4	1015206 HANDLE, LOCKING OUTSIDE	1	N/S 3973020	SWITCH, MAGNETIC	1
4	1015207 HANDLE, NON-LOCKING OUTSIDE	1	N/S 3973021	ACTUATOR, MAGNETIC	1
5	0374253 GUIDE, REAR CARGO DOOR ROD	2			
06	4970182 DOOR, ROD 48"	2			
07	4970457 LATCH, 3-POINT CNTR CONTRL W/2 48" RODS	1			



## rear door lock barrel bolt & dash light

**cX0000054058 / 0412358 / cX-000-900-4058**

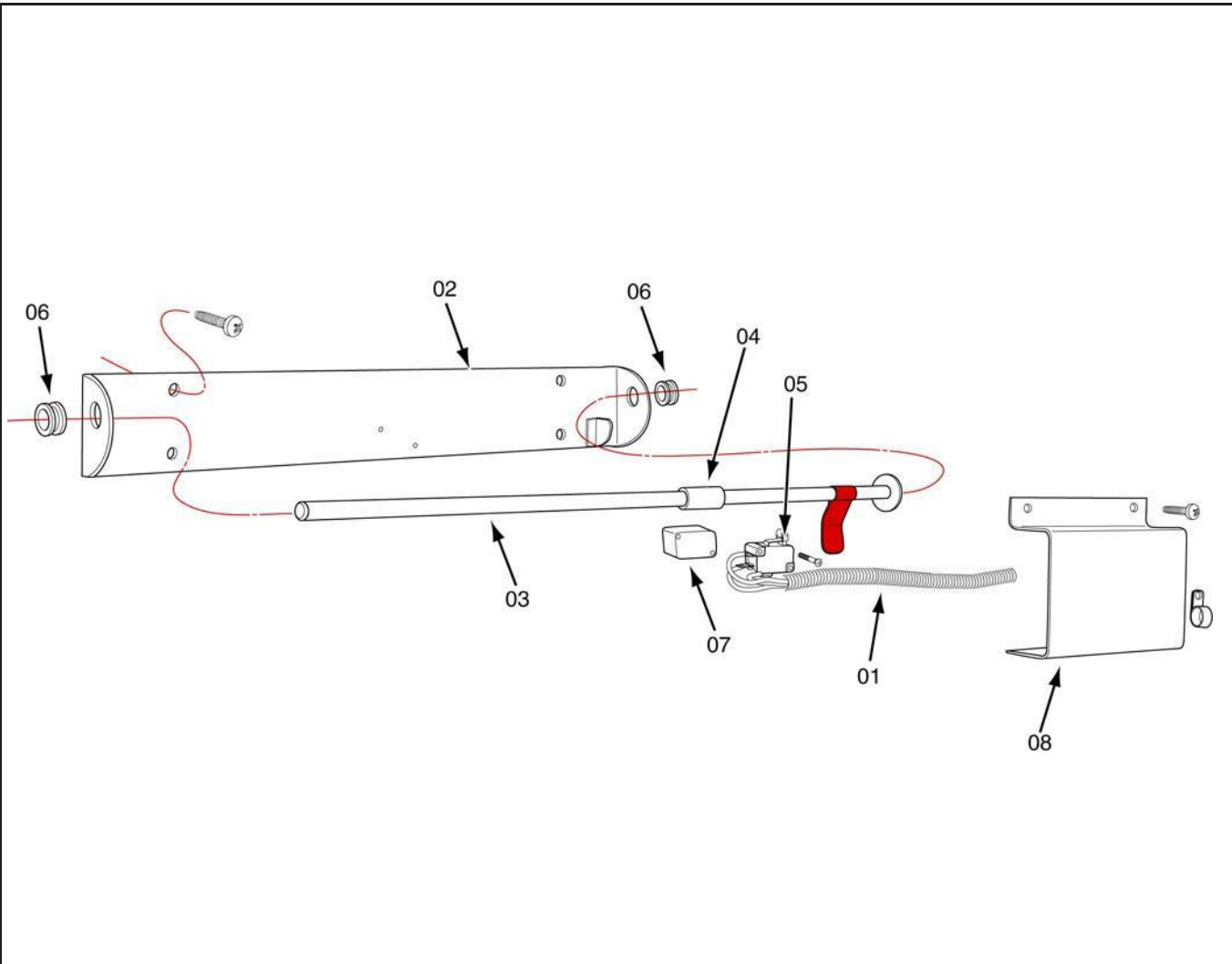
ITEM	PART NO.	DESCRIPTION	QTY	ITEM	PART NO.	DESCRIPTION	QTY
1	0377521	BRACKET, REAR DOOR LOCK BARREL BOLT	1	07	8670860	SET-SCREW (6-32 x 1/4)	1
2	0377522	ROD, REAR DOOR LOCK BARREL BOLT	1	8	3970894	SPACER, SWITCH	1
3	0374300	SLEEVE, DOOR LOCK	1	9	8571308	HOLDER, SPRING ACTION	1
4	3971790	SWITCH, MICRO w/ROLLER LEVER	1	N/S	4370103	SWITCH COVER, STEEL BLACK HIDE 26GA 48X96	1
05	3971506	BUSHING, SNAP 1/2"		N/S	3973085	LIGHT, BUZZ NO ENGRAVING	1
06	8570210	COTTER-PIN (3/32" x 1 1/4")	2	N/S	0377815	Bracket, Rear Door Latch Stif Spring	1



## rear door lock barrel bolt & dash light

**cX0000054058 / 0412358 / cX-000-900-4058**

ITEM PART NO.	DESCRIPTION	QTY	ITEM PART NO.	DESCRIPTION	QTY
1	0377521 BRACKET,REAR DOORLOCKBARREL BOLT	1	07	8670860 SET-SCREW (6-32 x 1/4)	1
2	0377522 ROD,REAR DOORLOCKBARREL BOLT	1	8	3970894 SPACER,SWITCH	1
3	0374300 SLEEVE,DOOR LOCK	1	9	8571308 HOLDER,SPRING ACTION	1
4	3971790 SWITCH,MICROw/ROLLER LEVER	1	N/S	4370103 SWITCH COVER,STEEL BLACK HIDE 26GA 48X96	1
05	3971506 BUSHING,SNAP 1/2"	3	N/S	3973085 LIGHT,BUZZ NO ENGRAVING	1
06	8570210 COTTER-PIN (3/32" x 1 1/4")	2	N/S	0377815 Bracket,Rear Door Latch Stif Spring	1



## INSTALL IGNITION REAR DOOR INTERLOCK CH-000-900-0140

<i>ITEM PART NO. DESCRIPTION</i>	<i>QTY</i>	<i>ITEM PART NO. DESCRIPTION</i>	<i>QTY</i>
1 NSS WIRE HARNESS	1		
2 0400926 LOCK, REAR DOOR	1		
3 0374298 ROD, DOOR LOCK	1		
4 0374300 SLEEVE, DOOR LOCK	1		
5 3971790 SWITCH, MICROW/ROLLER LEVER	1		
06 3971506 BUSHING, SNAP (1/2")	2		
7 3970894 SPACER, SWITCH	1		
8 0413579 COVER, SWITCH DOOR	1		

PICTURE NOT AVAILABLE AT THIS TIME

**eNTRANCe dOOR WINGS S/S  
0416968**

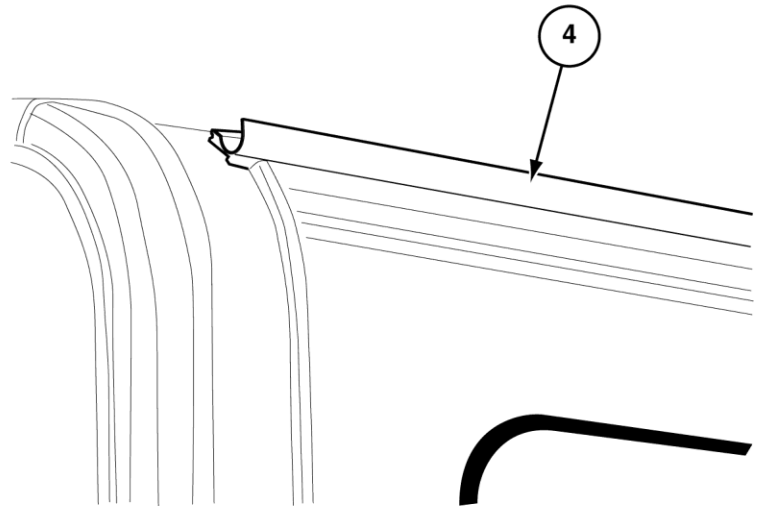
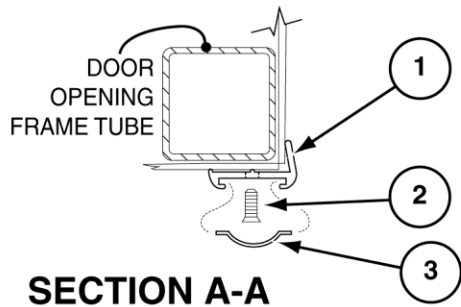
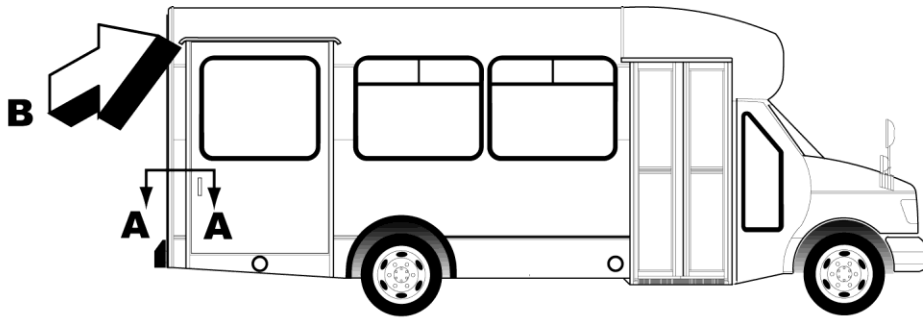
<i>ITEM PART NO. DESCRIPTION</i>	<i>QTY</i>	<i>ITEM PART NO. DESCRIPTION</i>	<i>QTY</i>
1 0378790 WING, ENTRANCE DOOR FRNT S/S	1		
2 0378791 WING, ENTRANCE DOOR REAR S/S	1		





**PARATRANSIT DOOR, DuAI**  
**0416960**

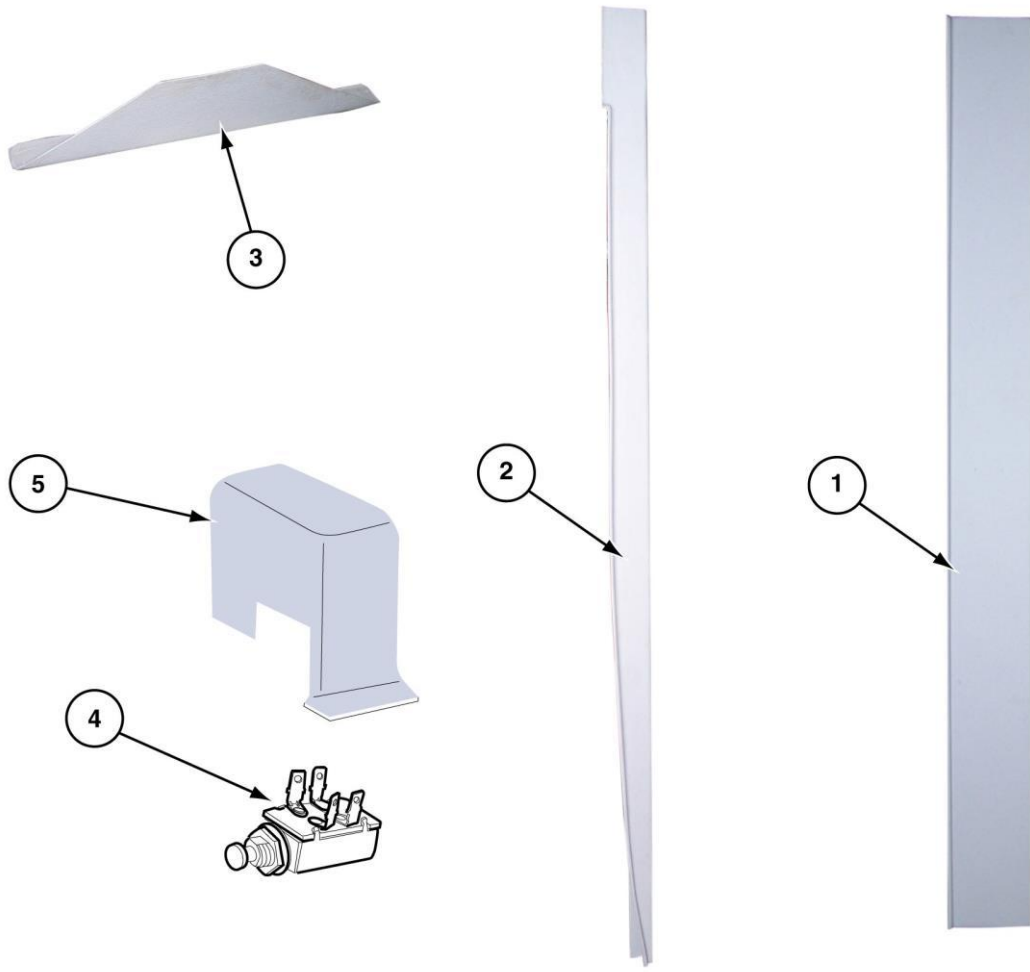
<i>ITEM</i>	<i>PART NO.</i>	<i>DESCRIPTION</i>	<i>QTY</i>	<i>ITEM</i>	<i>PART NO.</i>	<i>DESCRIPTION</i>	<i>QTY</i>
01	3371876	DOOR, PARA DUAL PRE-HUNG S/S JAMB	1				



**VIEW B**

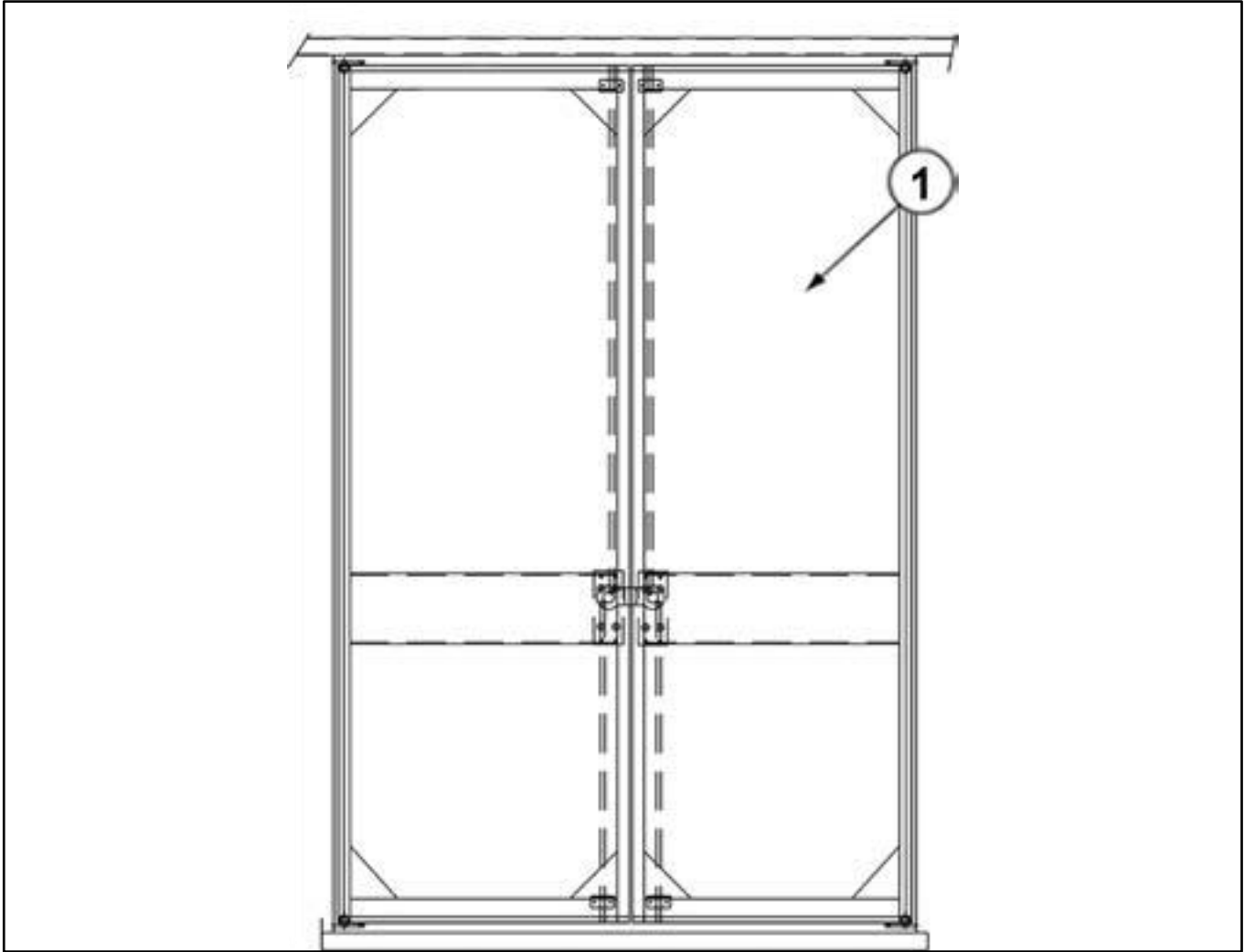
**PARATRANSIT DOOR EXTERIOR TRIM**  
**0416960 / 0403388**

<i>ITEM</i>	<i>PART NO.</i>	<i>DESCRIPTION</i>	<i>QTY</i>	<i>ITEM</i>	<i>PART NO.</i>	<i>DESCRIPTION</i>	<i>QTY</i>
1	4541124P	EDGE, ROOF (POLAR WHITE #2000) 16'	A/R				
2	8570931	SCREW (8 x 1 PAN QUAD TEK) CLEAR EMPI	40				
03	3341237P	INSERT, POLAR WHITE (#101) 1000'	A/R				
04	0377694	RAIL, DRIP (1.25 X 14')	1				
N/S	8570808	POP-RIVET, ALUMINUM (3/16 x .376-.500 GRP)	4				
N/S	8570933	SCREW (8 x 1 PAN QUAD T2) CLEAR EMPIGUARD	4				



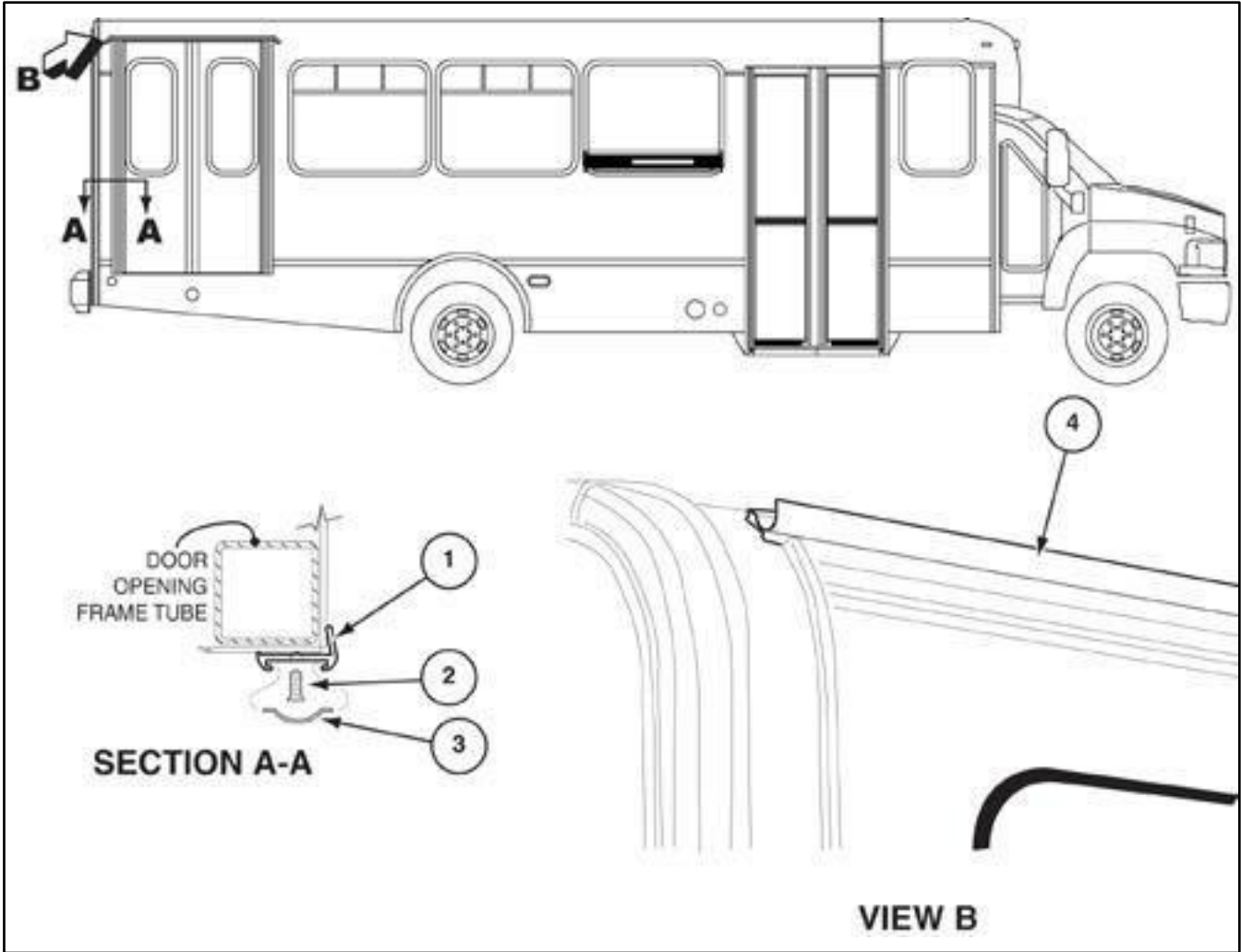
**REAR LIFT DOOR INTERIOR TRIM**  
**0416960 / 0409843**

<i>ITEM</i>	<i>PART NO.</i>	<i>DESCRIPTION</i>	<i>QTY</i>	<i>ITEM</i>	<i>PART NO.</i>	<i>DESCRIPTION</i>	<i>QTY</i>
1	3371228	COVER, PARADOOR REAR POST	1				
2	3371244	COVER, PARADOOR FRONT POST	1				
3	3371229	COVER, LITEBAR TO PARADOORADAPTER	1				
N/S	3973020	SWITCH, MAGNETIC (808-1005)	2				
N/S	4970493	GROMMET, RUBBER (7/16")	2				
N/S	3371079	COVER, LIFT DOOR JAMB SWITCH	2				



**dual paratransit door w/no windows.  
0418362 / 0420284, 0420283, 0420282**

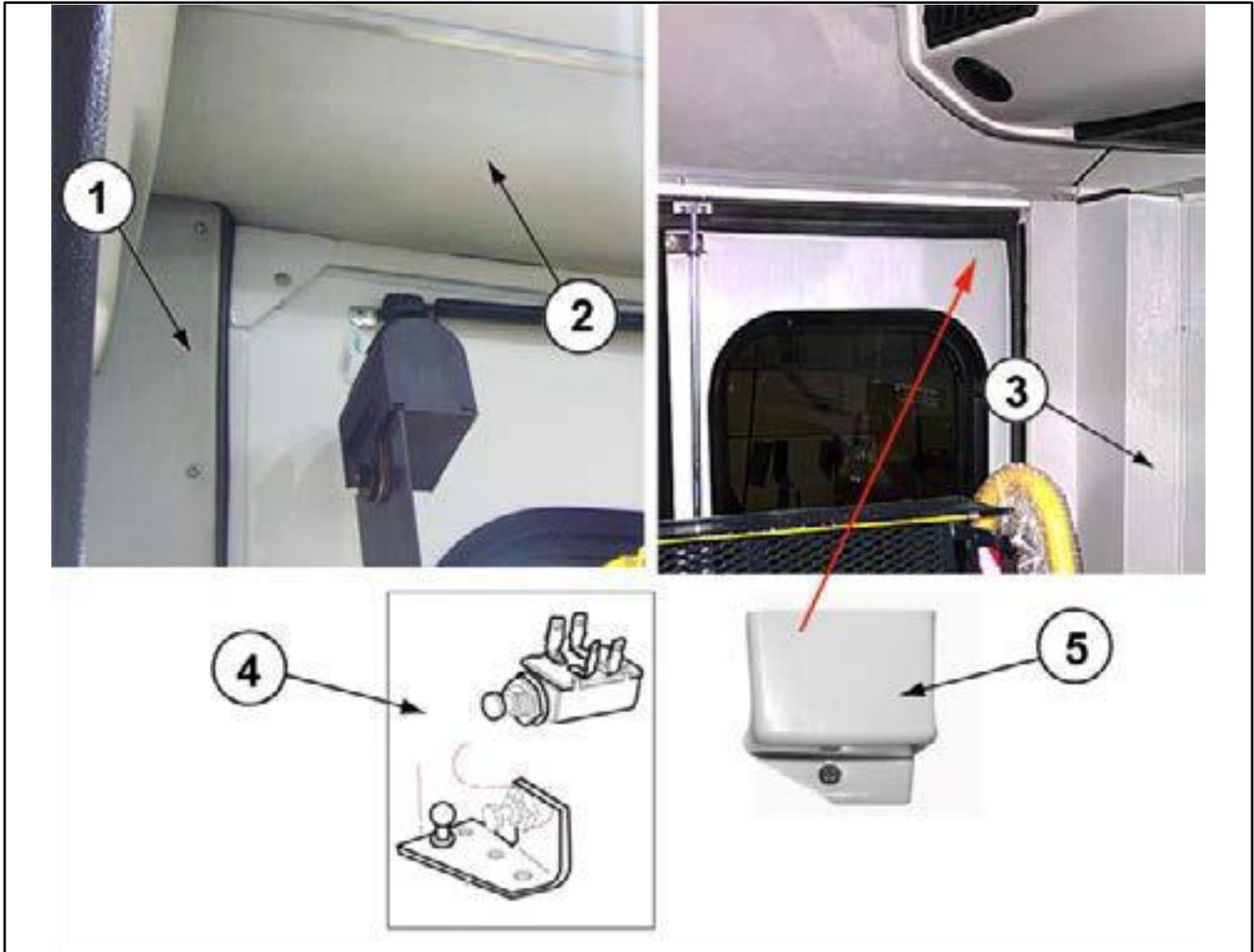
<i>ITEM</i>	<i>PART NO.</i>	<i>DESCRIPTION</i>	<i>QTY</i>	<i>ITEM</i>	<i>PART NO.</i>	<i>DESCRIPTION</i>	<i>QTY</i>
01	3372387	Door, Lift Comp Dual No Window	1				
NS	5970394	Tape, Window Sealex 1/4 x 1/2	22				
NS	0379705	Tube, 14GA x 2 x 1 x 74	2				
NS	4970694	Bumper, Door Stopper Rubber 2.25" Bl	2				



## PARATRANSIT DOOR exTeRIOR TRIm

### 0422636 / 0403388

<i>ITEM</i>	<i>PART NO.</i>	<i>DESCRIPTION</i>	<i>QTY</i>	<i>ITEM</i>	<i>PART NO.</i>	<i>DESCRIPTION</i>	<i>QTY</i>
	<b>0403388</b>	<b>INSTALL, PARA DOOR EXTERIOR TRIM</b>		NS	8570808	RIVET, POP 3/16 x .376-.500 GRP ALUM.	4
1	4541124P	EDGE, ROOF POLAR WHITE	1	NS	3371421	COVER, SCREW ELIXIR WHITE (200 P-BX)	2
2	8570933	SCREW, 8 x 1 PAN QUAD T2 CLR EMP	4	NS	3974598	HARNESS, LIFT DOOR	1
03	3341237P	INSERT, 1.0 POLAR WHITE #101 1000'	15	NS	3974659	HARNESS, LIFT DOOR REAR EXT.	2
NS	4342879	STEEL, COIL .021 x 36.0 PAINTED	7	NS	3974538	HARNESS, STEP LIGHT	1
04	0413103	INSTALL, CAP DRIP 50.75 PAINTED GALV	1	NS	4970694	BUMPER, DOOR STOPPER RUBBER 2.25"	2



## PARATRANSIT DOOR INTERIOR TRIM

### 0422636 / 0409843

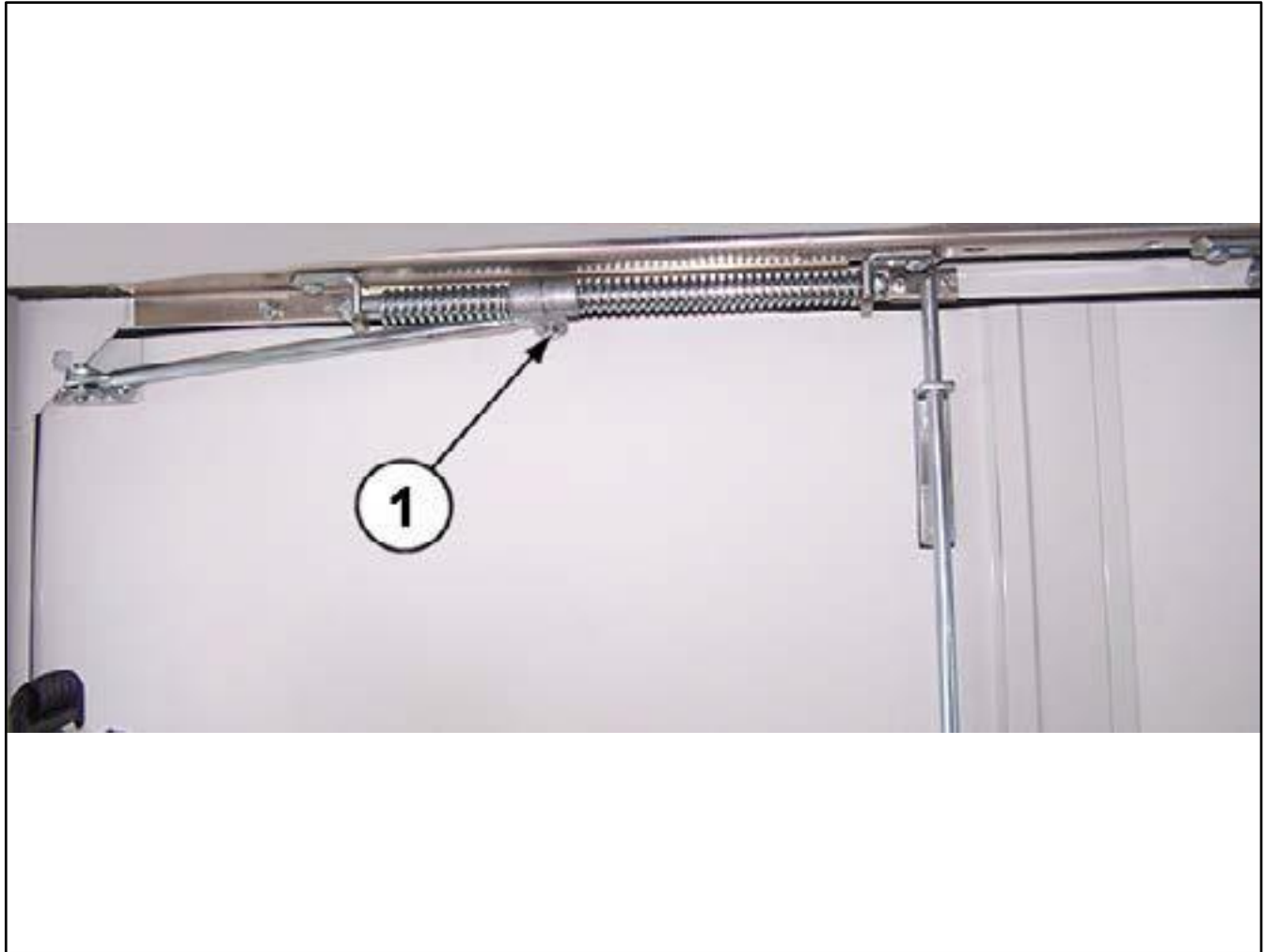
<i>ITEM</i>	<i>PART NO.</i>	<i>DESCRIPTION</i>	<i>QTY</i>	<i>ITEM</i>	<i>PART NO.</i>	<i>DESCRIPTION</i>	<i>QTY</i>
1	3371244	COVER, PARA DOOR FRNT POST	1	NS	4540142	ANGLE, ALUMINUM 1 x 1.5 x 12'	.5
2	3371229	ADAPTER, CVR LITEBAR -PARA DOOR	1	NS	3944485	TERMINAL, F/INS FEM/QDISC 16-14 .25	2
3	3371228	COVER. PARADOOR REAR WALL POST	1	NS	3371272	COVER, FRNT POST FRNT LIFT DOOR	1
4	3973020	SWITCH, MAGNETIC	2	NS	8970404	TAPE, FOAM 1/8" x 1/2" x 75' BLACK	AR
	3973021	ACTUATOR, MAGNETIC	2	NS	3350543	TRIM, BUS CORNER	1
5	3371902	COVER, SWITCH LIFT DOOR	1				
NS	3371224	ABS, POST ENTRY DOOR (BACKSIDE) ALL	1				



**PARATRANSIT DOOR**  
**0415771 - 3371756**

<i>ITEM</i>	<i>PART NO.</i>	<i>DESCRIPTION</i>	<i>QTY</i>
01	3371756	DOOR ASSEMBLY, DUAL LEAF COMPOSITE	1

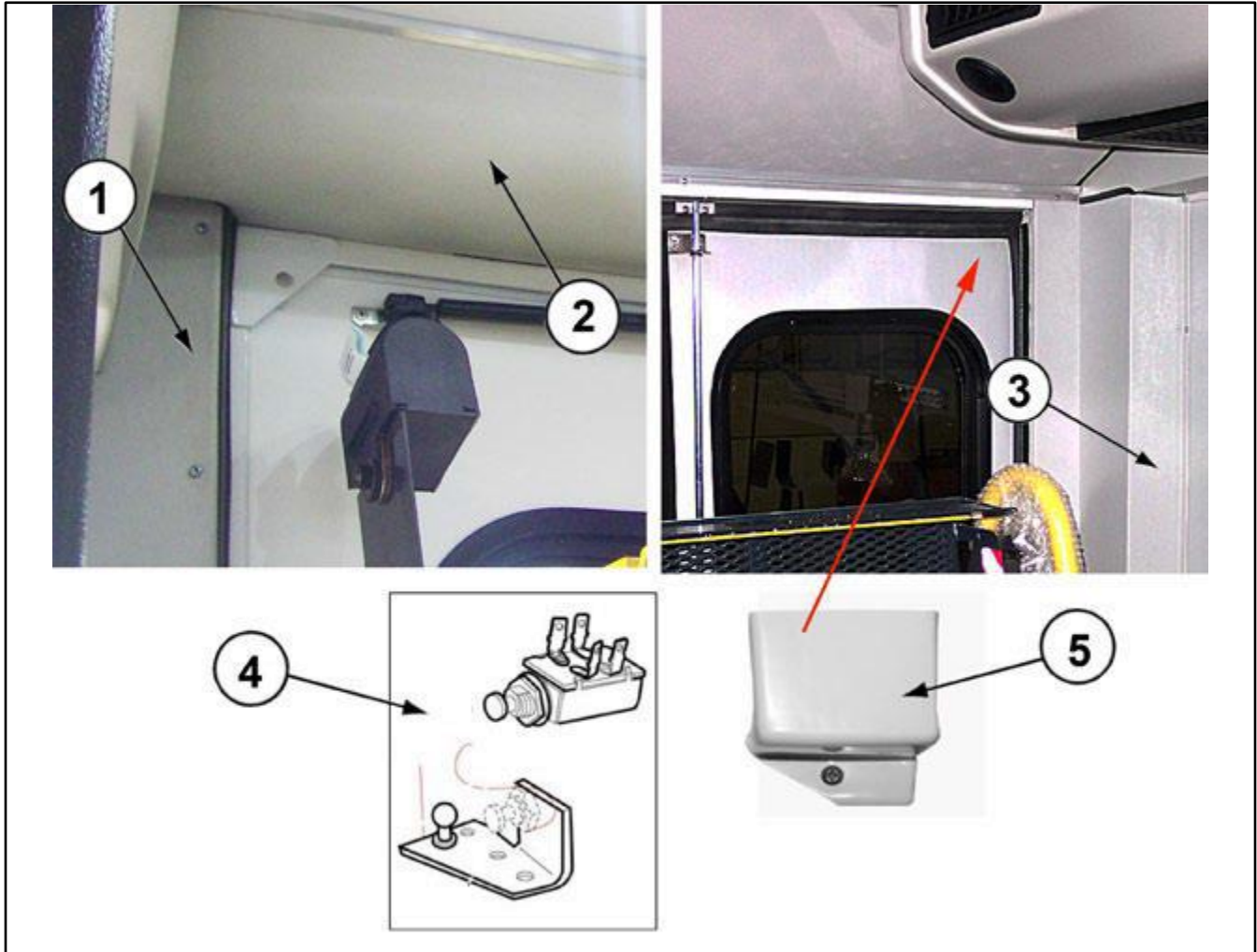
<i>ITEM</i>	<i>PART NO.</i>	<i>DESCRIPTION</i>	<i>QTY</i>
-------------	-----------------	--------------------	------------



**para dual doow w/windows & spring loaded  
0422562**

<i>ITEM PART NO. DESCRIPTION</i>	<i>QTY</i>	<i>ITEM PART NO. DESCRIPTION</i>	<i>QTY</i>
01 3372377 Door, Lft Dual Window Spring Loaded	1		
NS 3974480 Light, Indicator Red (Dash)	1		
NS 3974845 Light, Indicator Red 14V	1		
NS 4970694 Bumper, Doot Stopper Rubber 2 1/4" BL	2		





## PARATRANSIT DOOR INTERIOR TRIM

### 0416960 / 0409843 / 0418444

<i>ITEM PART NO. DESCRIPTION</i>	<i>QTY</i>	<i>ITEM PART NO. DESCRIPTION</i>	<i>QTY</i>
<b>0409843 Paratransit Door Interior Trim</b>			
00 3372006 DOOR, PARA DUAL S/S JAMB W/WIN 69.5"	1	NS 4540142 ANGLE, ALUMINUM 1 x 1.5 x 12'	.5
02 3371229 ADAPTER, CVR LITEBAR -PARA DOOR	1	NS 3944485 TERMINAL, F/INS FEM/QDISC 16-14 .25	2
03 3371228 COVER. PARA DOOR REAR WALL POST	1		
04 3973020 SWITCH, MAGNETIC	2	<b>0418444 Install, Cover Lift Front Post - Frnt Lift</b>	
3973021 ACTUATOR, MAGNETIC	2	01 3371271 COVER, FRNT POST FRNT LIFT DOOR	1
05 3371902 COVER, SWITCH LIFT DOOR	1		



## door control access panel 0415978

<i>ITEM PART NO. DESCRIPTION</i>	<i>QTY</i>	<i>ITEM PART NO. DESCRIPTION</i>	<i>QTY</i>
1 3371927 Panel, Door Header Access Entry	1		
2 4941520 Lock, Thumb Complete	2		
NS 3371427 Cover, 30" Entry Door Header ABX	1		



**30" Padded door header**  
**cx0000073244 / 0403610**

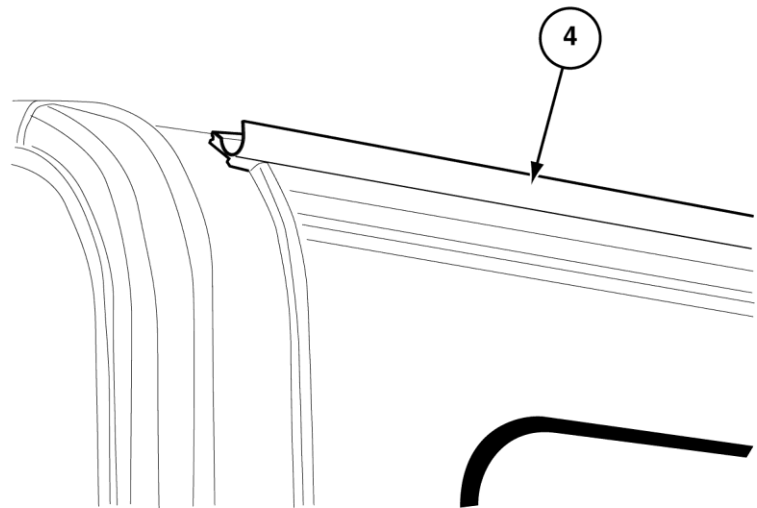
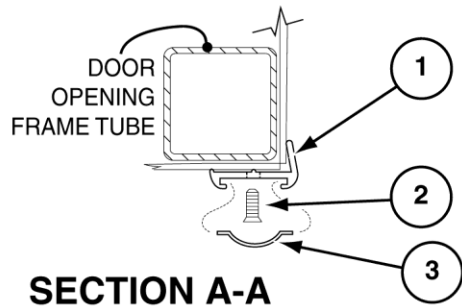
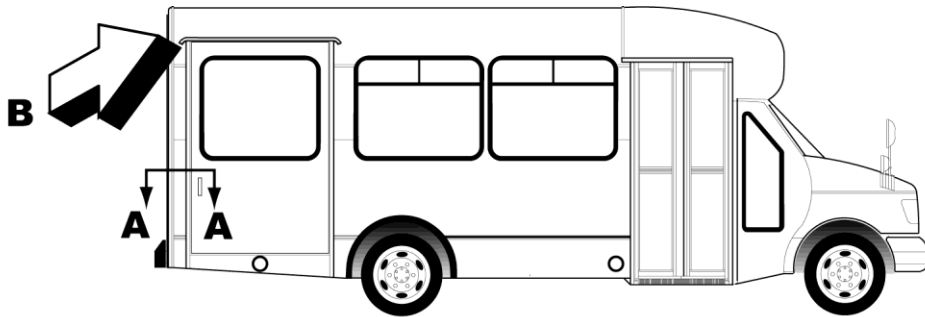
<i>ITEM PART NO. DESCRIPTION</i>	<i>QTY</i>	<i>ITEM PART NO. DESCRIPTION</i>	<i>QTY</i>
01 7371128 Vinyl, Harbor Moonbeam	A/R		
NS 7370497 Cap, Snap Vinyl Moonbeam Grey	8		
NS 857735 Screw, 8 x 1½ Pan Quad Zinc	A/R		



## keyed entry door switch

### 0421732 / 0422695

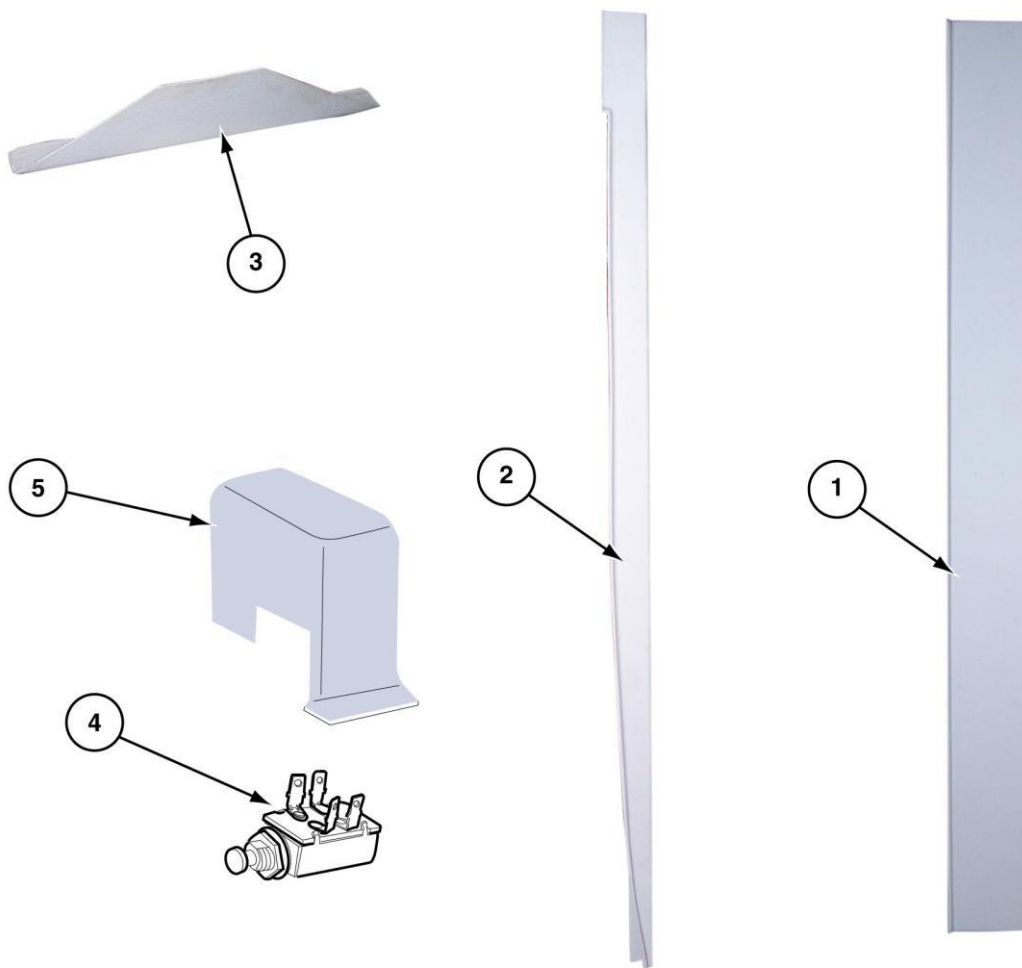
<i>ITEM</i>	<i>PART NO.</i>	<i>DESCRIPTION</i>	<i>QTY</i>	<i>ITEM</i>	<i>PART NO.</i>	<i>DESCRIPTION</i>	<i>QTY</i>
		<b>0421732 Install, Switch Keyed Entry Door</b>					
1	3975909	Switch, Keyed Entry Door	1				
		<b>0422695 Install, Key Extra Blank Entry Door</b>					
2	3976251	Key, Extra Blank Entry door Switch	1				



**VIEW B**

**PARATRANSIT DOOR EXTERIOR TRIM  
0403388**

<i>ITEM</i>	<i>PART NO.</i>	<i>DESCRIPTION</i>	<i>QTY</i>	<i>ITEM</i>	<i>PART NO.</i>	<i>DESCRIPTION</i>	<i>QTY</i>
1	4541124P	EDGE, ROOF (POLAR WHITE #2000) 16'	A/R				
2	8570931	SCREW (8 x 1 PAN QUAD TEK) CLEAR EMPI	40				
03	3341237P	INSERT, POLAR WHITE (#101) 1000'	A/R				
04	0377694	RAIL, DRIP (1.25 X 14')	1				
N/S	8570808	POP-RIVET, ALUMINUM (3/16 x .376-.500 GRP)	4				
N/S	8570933	SCREW (8 x 1 PAN QUAD T2) CLEAR EMPIGUARD	4				



**REAR LIFT DOOR INTERIOR TRIM**  
**0415771 - 0409843**

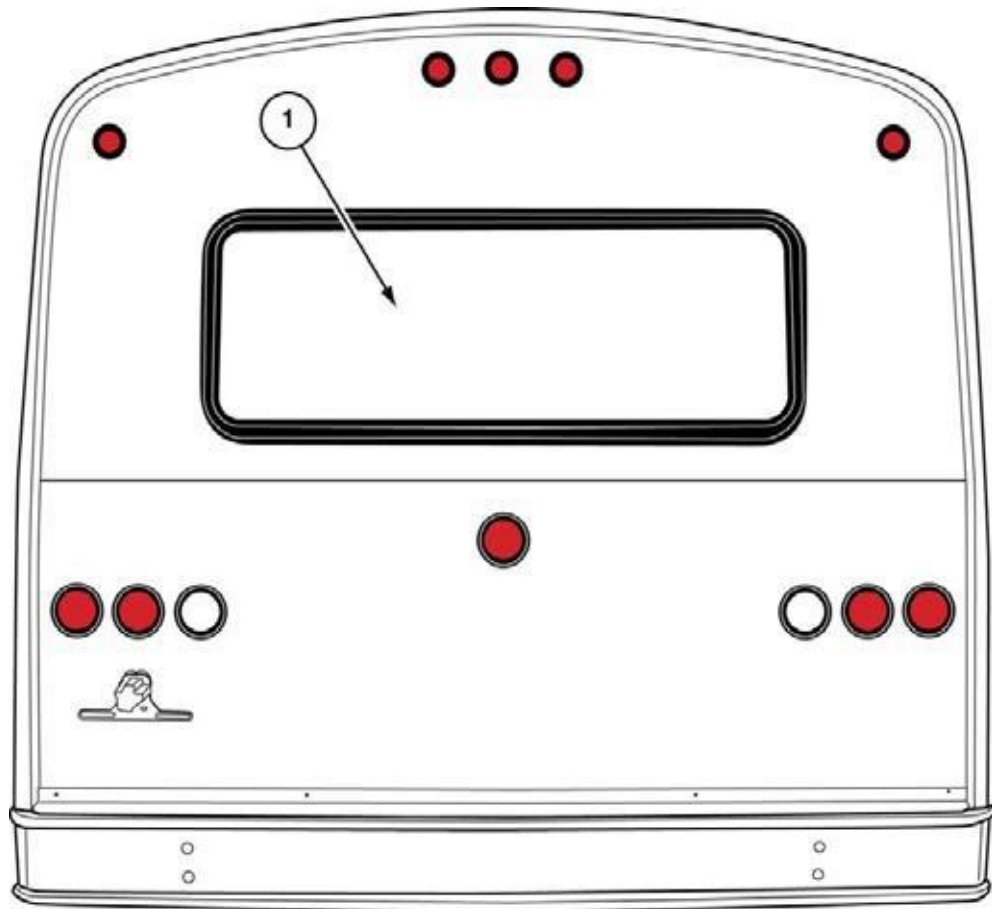
<i>ITEM</i>	<i>PART NO.</i>	<i>DESCRIPTION</i>	<i>QTY</i>	<i>ITEM</i>	<i>PART NO.</i>	<i>DESCRIPTION</i>	<i>QTY</i>
1	3371228	COVER, PARA DOOR REAR POST	1				
2	3371244	COVER, PARA DOOR FRONT POST	1				
3	3371229	COVER, LITEBAR TO PARA DOOR ADAPTER	1				
N/S	3973020	SWITCH, MAGNETIC (808-1005)	2				
N/S	4970493	GROMMET, RUBBER (7/16")	2				
N/S	3371079	COVER, LIFT DOOR JAMB SWITCH	2				



**CHAMPION**  
**BUS, INC.**  
Thor Industries Commercial Bus Division

# **SECTION 6:**

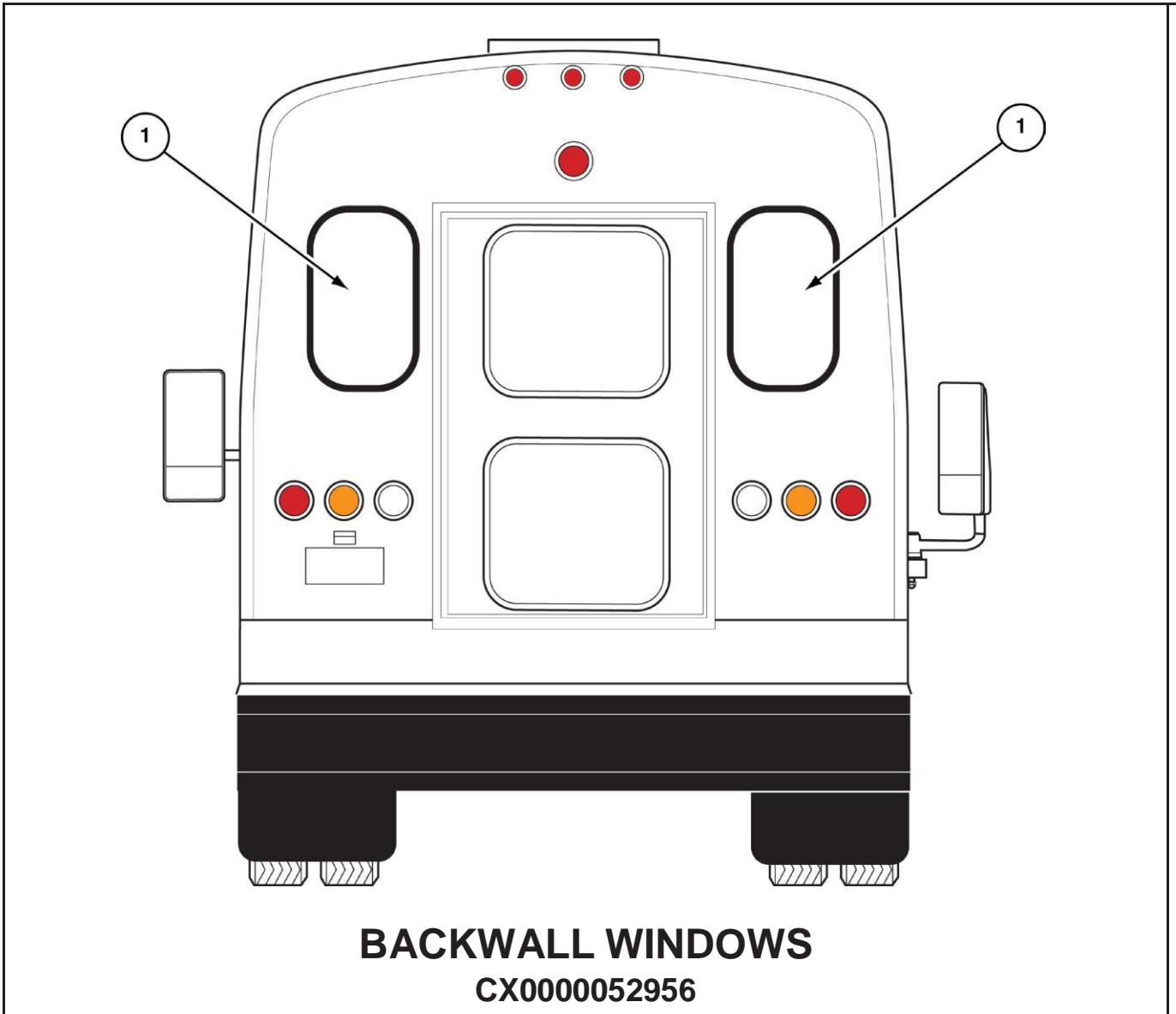
# **wINdOwS**



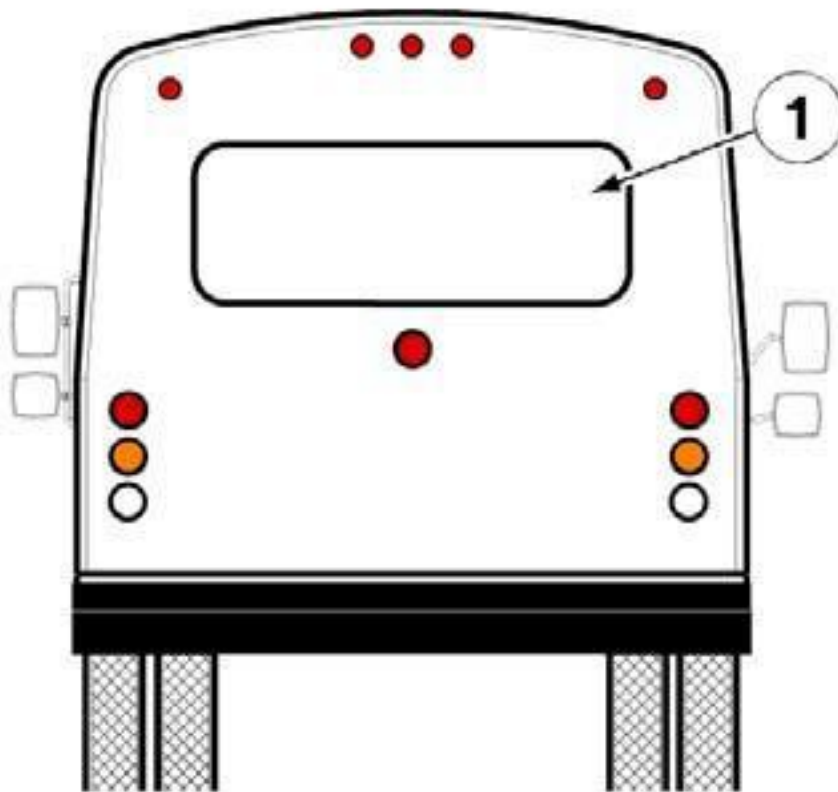
**BUS CORNER TRIM**  
**0406553 - 0402566**

<i>ITEM PART NO. DESCRIPTION</i>	<i>QTY</i>	<i>ITEM PART NO. DESCRIPTION</i>	<i>QTY</i>
01 3350543 TRIM,BUS CORNER	2		





<i>ITEM PART NO. DESCRIPTION</i>	<i>QTY</i>	<i>ITEM PART NO. DESCRIPTION</i>	<i>QTY</i>
01 5940705 WINDOW (13" x 23")	2		
N/S 8970545 SEAL, WINDOW	1		



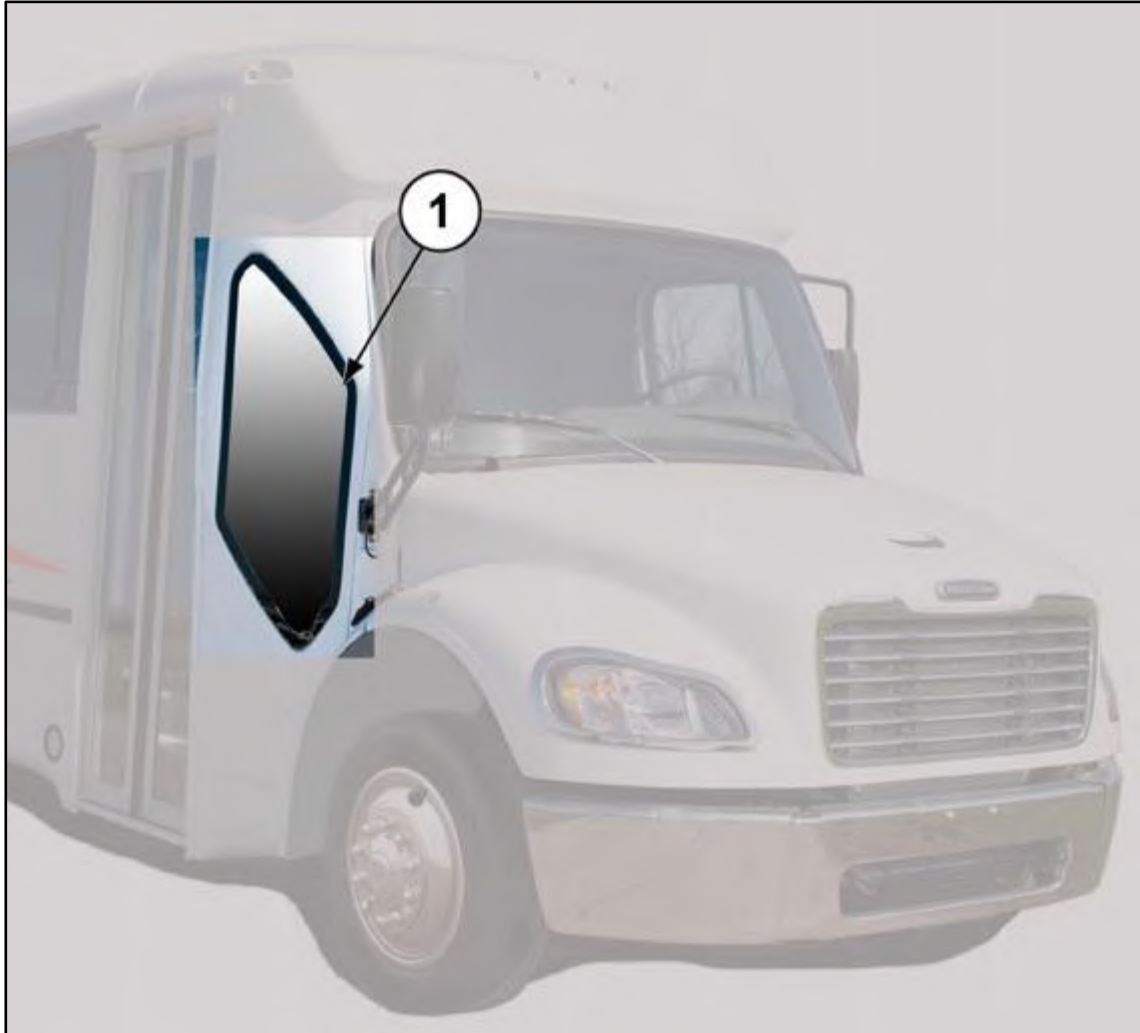
**ReaR WindoW - M2**  
**0406553-PL / 0402565**

<i>ITEM</i>	<i>PART NO.</i>	<i>DESCRIPTION</i>	<i>QTY</i>	<i>ITEM</i>	<i>PART NO.</i>	<i>DESCRIPTION</i>	<i>QTY</i>
<b>0402565 Window Backwall 22 X 60 Assy</b>							
01	5970515	Window, Rear 22 x 60 W/ Dbl Handle	1				
N/S	0378346	Spacer, Window	2				



## Window, Rear 22 X 60 CT 0421071

<i>ITEM PART NO. DESCRIPTION</i>	<i>QTY</i>	<i>ITEM PART NO. DESCRIPTION</i>	<i>QTY</i>
01 5970515 Window, Rear 22 x 60, Dbl Handles	1		
NS 0378346 Spacer, Window HEHR 1900 Series	2		
NS 0418673 Backwall, Frame 22 x 60 Window Tran	1		
NS 0408721 Install, Interior Backwall CH/CT	1		



## **CURBSIDE WING WINDOW M2 5971075**

ITEMPART NO.	DESCRIPTION	ITEMPART NO.	DESCRIPTION
01 5971075	FRONT C/S WING WINDOW M2 1		



## **clear vision Passenger windows 0417773**

<u>ITEM</u>	<u>PART NO.</u>	<u>DESCRIPTION</u>	<u>QTY</u>	<u>ITEM</u>	<u>PART NO.</u>	<u>DESCRIPTION</u>	<u>QTY</u>
00	5970995	Window, 36.38 x 36.38 Solid Clr Vision	3				
	5970990	Window, 36.38 x 45.38 Solid Clr Vision	8				
	5970991	Window, 36.38 x 45.38 Egress Clr Vis	3				
	5971075	Window, Front C/S Wing M2	1				

<u>Item</u>	<u>Description</u>	<u>Qty</u>
5970955	WINDOW (36.38 x 36.38) SOLID CLEER VISION	2
5970990	WINDOW (36.38 x 46.38) SOLID CLEER VISION	3
5970991	WINDOW (36.38 x 45.38) SOLID EGRESS CLEER VISION	3
5970992	WINDOW (36.38 x 24.38) SOLID CLEER VISION	3
8970545	SEAL, WINDOW	A/R

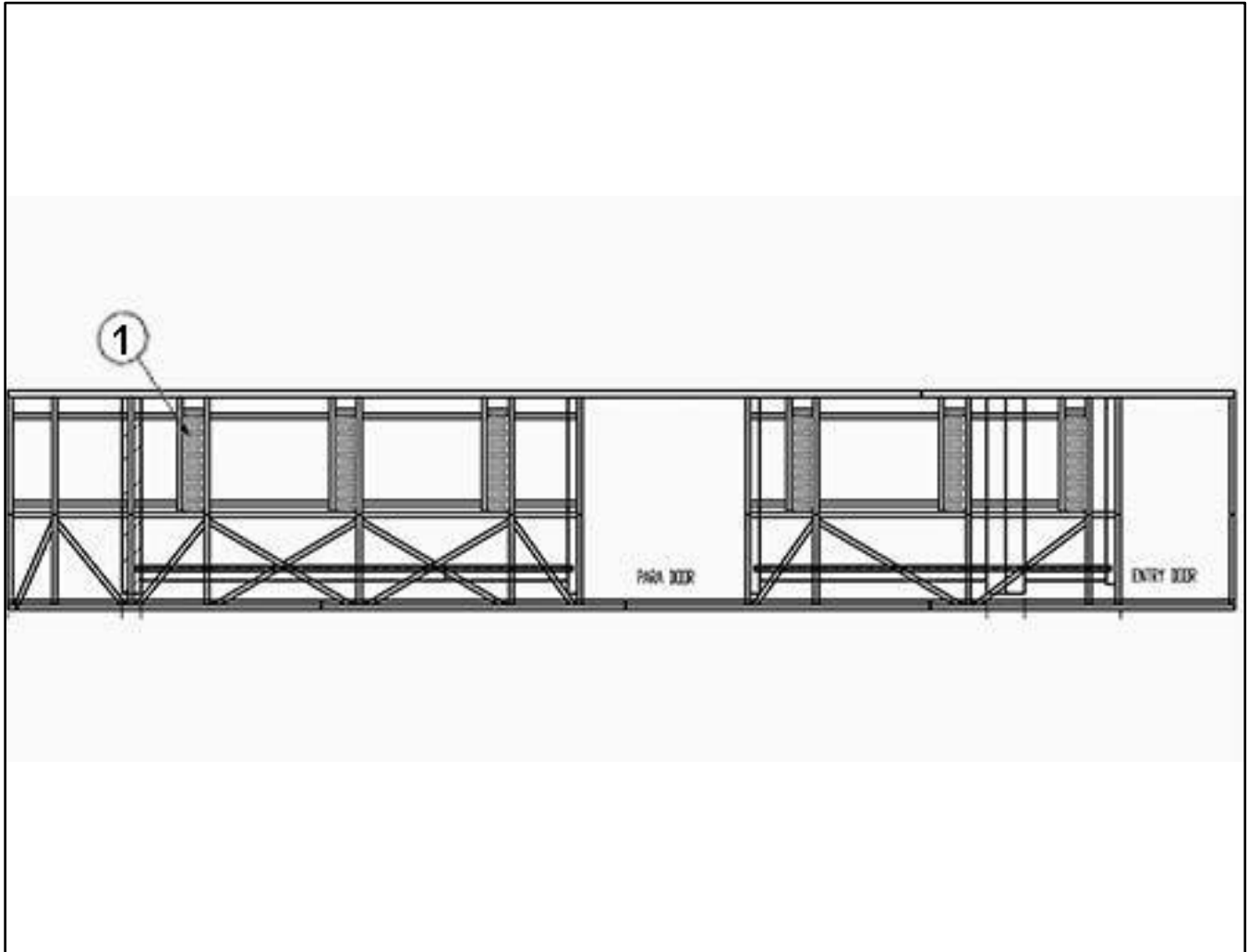
**WINDOWS (CC/HC 35')**  
**0414749**

<u>ITEM PART NO.</u>	<u>DESCRIPTION</u>	<u>QTY</u>	<u>ITEM PART NO.</u>	<u>DESCRIPTION</u>	<u>QTY</u>



## **PASSENGER wiNdoWS 58- 23276**

<u>ITEM PART NO. DESCRIPTION</u>	<u>QTY</u>	<u>ITEM PART NO. DESCRIPTION</u>	<u>QTY</u>
00 5970953 Window, 36.38 x 46.5 Single Cntr Slide	4		
5970954 Window, 36.38 x 46.5 Egress Sgl Cntr	3		
5970733 Window, Dest. 36.38 x 46.5 Clear Top	1		
5970957 Window, 36.38 x 24.5 Single Cntr Slide	3		
5970157 Window, Destination	1		
5971075 Window, Front C/S Wing M2	1		

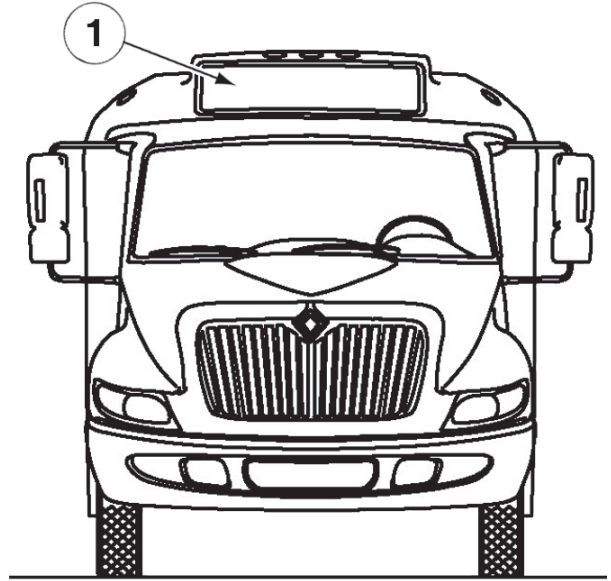
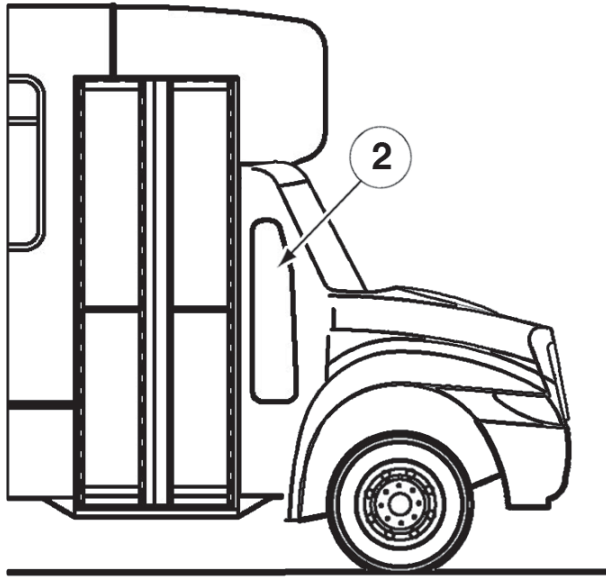


**window guards (6" x 30")**  
**0421249 / 0379121 (rEV-a)**

<i>ITEM</i>	<i>PART NO.</i>	<i>DESCRIPTION</i>	<i>QTY</i>	<i>ITEM</i>	<i>PART NO.</i>	<i>DESCRIPTION</i>	<i>QTY</i>
01	0379141	Guard, Window 6" x 30" Hehr Xpanded	11				
NS	0379121	Corner Window Radius, Hehr 6 x 30	54				

**NOTE: Curbside shown, Roadside similar.**

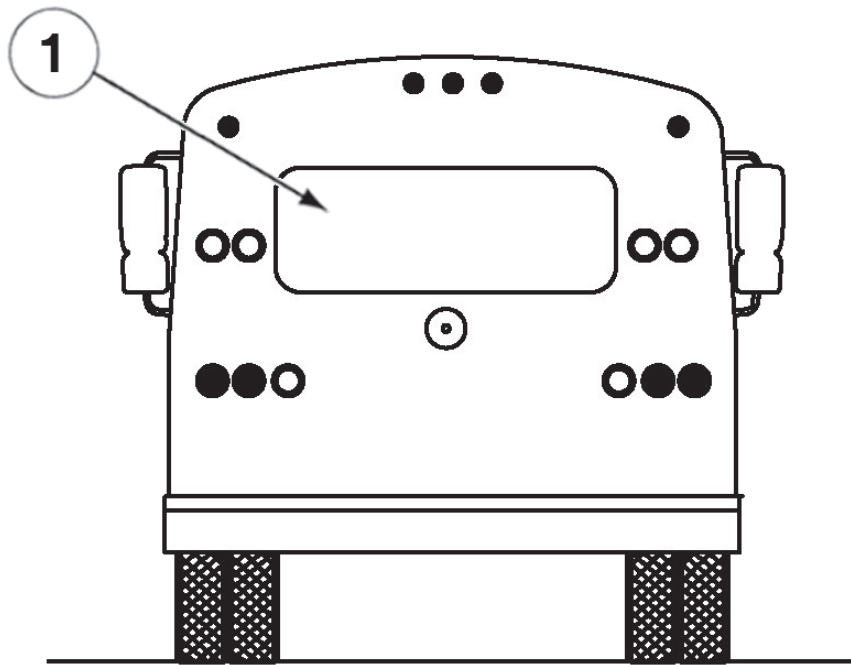




## Windows

<i>ITEM</i>	<i>PART NO.</i>	<i>DESCRIPTION</i>	<i>QTY</i>
1	5970157	Window, Destination, CH-CR	1
2	5970884	Window, Wing Defender	1
N/S	5971071	Tape, Butyl Coated Foam 7mm Dia	A/R

<i>ITEM</i>	<i>PART NO.</i>	<i>DESCRIPTION</i>	<i>QTY</i>
-------------	-----------------	--------------------	------------



## Windows

<i>ITEM</i>	<i>PART NO.</i>	<i>DESCRIPTION</i>	<i>QTY</i>	<i>ITEM</i>	<i>PART NO.</i>	<i>DESCRIPTION</i>	<i>QTY</i>
01	5970515	Window, Reqr 22 x 60 w/Double H	1				
N/S	5971071	Tape, Butyl Coated Foam 7mm Dia	A/R				



**CHAMPION**  
**BUS, INC.**  
Thor Industries Commercial Bus Division

# SECTION 7:

# LighTING



**LED RED INDICATOR LIGHT**  
**0414039 (REV-A)**

<i>ITEM</i>	<i>PART NO.</i>	<i>DESCRIPTION</i>	<i>QTY</i>	<i>ITEM</i>	<i>PART NO.</i>	<i>DESCRIPTION</i>	<i>QTY</i>
1	3973345	LIGHT, LED RED INDICATOR	1				
2	3973346	GROMMET, INDICATOR LIGHT	1				
NS	3974527	HARNESS, EXIT LIGHTS	1				



## Exit light indicator

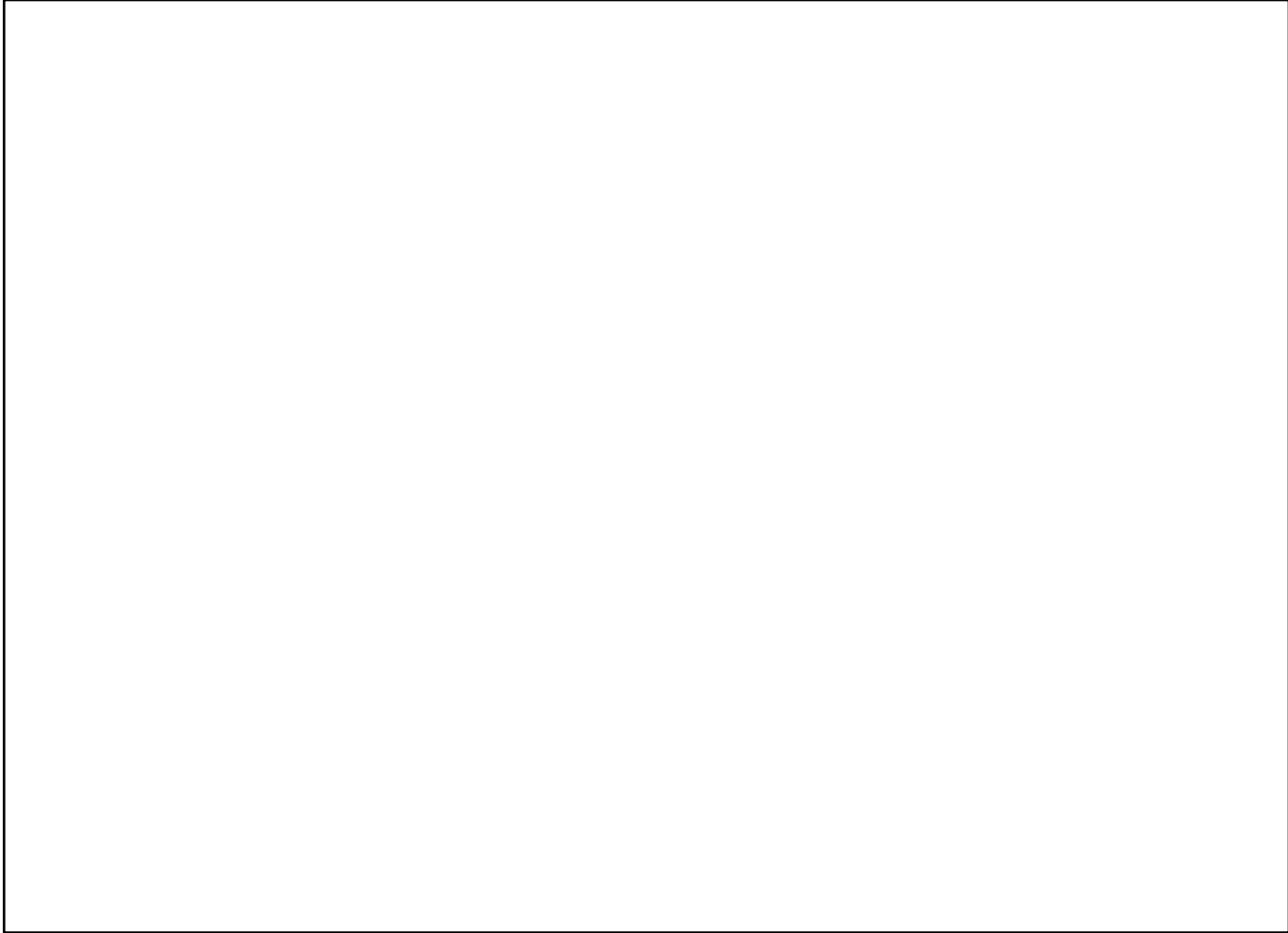
**cx0000072815**

<i>ITEM PART NO. DESCRIPTION</i>	<i>QTY</i>	<i>ITEM PART NO. DESCRIPTION</i>	<i>QTY</i>
01 3974480 Light, Indicator Red	1		
NS 3974527 Harness, Exit Lights	1		



**AMBER 2.5" FLASHING LIGHTS**  
**0422455**

<i>ITEM PART NO. DESCRIPTION</i>	<i>QTY</i>	<i>ITEM PART NO. DESCRIPTION</i>	<i>QTY</i>
01 3975200 Light, 2.5" Kneel Warning	2		
NS 3975173 Kit, Light Marker	2		



**AMBER indicAtor LiGHtS - 14v**  
**3974888**

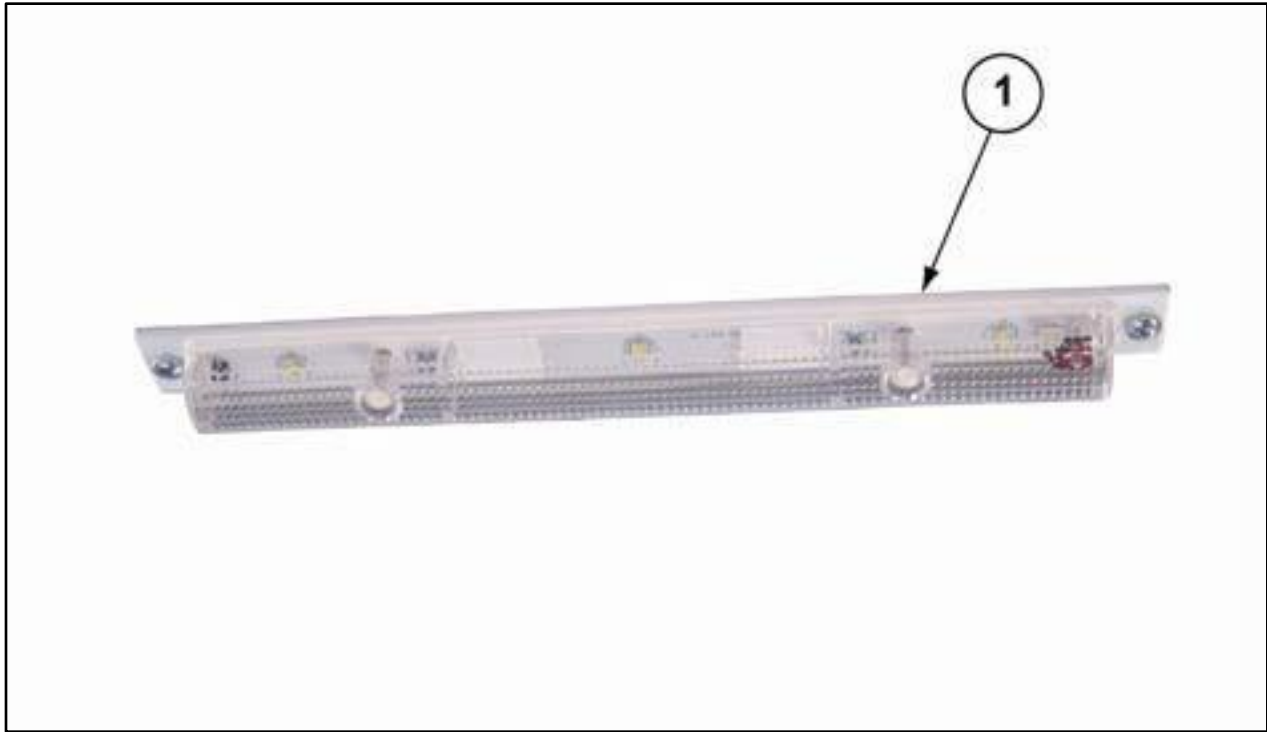
<u>ITEM</u>	<u>PART NO.</u>	<u>DESCRIPTION</u>	<u>QTY</u>	<u>ITEM</u>	<u>PART NO.</u>	<u>DESCRIPTION</u>	<u>QTY</u>
00	3974888	Light, Indicator Amber 14V	1				



**7" - FRONT & REAR LED WARNING LIGHTS**  
**0412322**

<i>ITEM</i>	<i>PARTNO.</i>	<i>DESCRIPTION</i>	<i>QTY</i>	<i>ITEM</i>	<i>PARTNO.</i>	<i>DESCRIPTION</i>	<i>QTY</i>
1	3973269	LIGHT, 7" AMBERTURNw/o REFLECTOR (LED)	2				
2	3973270	LIGHT, 7" REDSTOP/TAIL/TURNw/o REFLECTOR	2				
NS	3973271	FLASHER, SOLID STATE	1				
NS	3971718	RELAY, N.O./N.C. 12V 20/30 AMP HELLA	2				
NS	3971528	BASE, RELAY (PACKARD PN1201587)	2				





## INTERIOR LIGHTS, 12" LED STRIP

**0416399 / 0418715 / 0416399-PDOT/ 0420455**

<i>ITEM PART NO. DESCRIPTION</i>	<i>QTY</i>	<i>ITEM PART NO. DESCRIPTION</i>	<i>QTY</i>
01 3974361 Light, LED Strip 12"	AR		
NS 3972645 Breaker, 5 AMP Manual Reset	1		
NS 3974526 Harness, Center Lights	1		
<b><i>0420455 Lights, Soor Actuated Dome PDOT</i></b>			
NS 3974628 Relay, 40 AMP 12 Volt Spemco	1		



CLEARANCE



STOP/TURN/TAIL



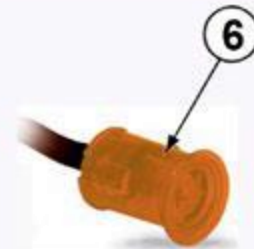
BACKUP



LICENSE PLATE



RECTANGULAR REFLECTOR



CLEARANCE

## exterior LeD backwaLL Lights

**0416963-M2**

ITEM	PART NO.	DESCRIPTION	QTY	ITEM	PART NO.	DESCRIPTION	QTY
1	3973290	LIGHT, LED (2½" ROUND RED, SOUNDOFF)	7	5	3970068	REFLECTOR, RECTANGULAR TAPE RED	2
	3971691	GROMMET, CLEARANCE LIGHT 2.5" ROUND	7	6	3978268	LIGHT, LED CLEARANCE AMBER FRONT	5
2	3973293	LIGHT, LED STOP/TURN/TAIL ROUND RED 4"	4		3973346	GROMMET, INDICATOR LIGHT	5
3	3973291	LIGHT, LED 4" CLEAR BACKUP	2	N/S	8970394	TAPE, WINDOW SEALEX SX1412 1/4 x 1/2 x 50	A/R
	3972986	GROMMET, RUBBER 4" TAIL LIGHT	6	N/S	3972996	PIGTAIL, LED EXIT	7
4	3974687	LIGHT, LED LICENSE PLATE	1	N/S	3371577	BEZEL, BACKWALL LIGHTS	2



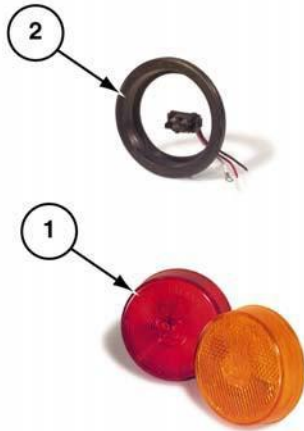
## exterior LeD Lights m20000023268

ITEM	PART NO.	DESCRIPTION	QTY	ITEM	PART NO.	DESCRIPTION	QTY
1	3973290	LIGHT, LED (2½" ROUND RED, SOUNDOFF)	7	N/S	8970394	TAPE, WINDOW SEALEX SX1412 1/4 x 1/2 x 50	A/R
2	3971691	GROMMET, CLEARANCE LIGHT 2.5" ROUND	7	N/S	3972774	HARNES, BACKWALL	1
3	3973293	LIGHT, LED STOP/TURN/TAIL ROUND RED 4"	4	N/S	3972996	PIGTAIL, LED EXIT	7
4	3973291	LIGHT, LED BACKUP ROUND CLEAR 4"	2	N/S	3973346	GROMMET, INDICATOR LIGHT	1
	3972986	GROMMET, RUBBER 4" TAIL LIGHT	6	N/S	3970068	REFLECTOR, RECTANGULAR TAPE RED	2
5	3974687	LIGHT, LICENSE PLATE	1				
6	3972942	BRACKET, LICENSE LIGHT TRUCK LITE	1				
7	3978268	LIGHT, LED CLEARANCE AMBER FRONT	2				
8	3973470	LIGHT, LED SIDEMARKER FLUSH	2				
9	3974689	GUARD, LED CLEARANCE AMBER FRT	5				



## ExtErior lights-IEd m2000tr23105 / 0415802

ITEM	PART NO.	DESCRIPTION	QTY	ITEM	PART NO.	DESCRIPTION	QTY
1	3972940	Light, LED Red Round 2.5"	7	8	3978268	Light, LED Clearance Amber Front	5
2	3971691	Grommet, Clearance Light 2.5" Rnd	7		3973346	Grommet, Indicator Light	5
3	3973028	Light, LED Stop/Turn/Tail 4" Rd STD	5	NS	8970394	Tape, Window Sealex	10
4	3972791	Light, LED Backup Clear 4"	2	NS	3972920	Harness, Rear Center Brake Lights	1
	3972986	Grommet, 4" Light	7	NS	3973360	Pigtail, Trucklite LED Light	8
5	3972941	Light, License Plate	1	NS	3371577	Bezel, Backwall Lights	2
6	3972942	Bracket, License Plate	1	NS	3371575	Bezel, 6" Center Brake Light	1
7	3973024	Light, Side Marker Center (LED)	2	NS	3970068	Reflector, Rectangular Tape Red SAE	2



CLEARANCE



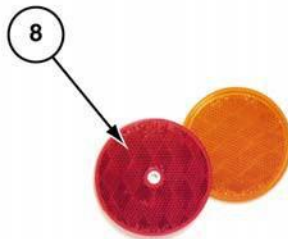
STOP/TURN/TAIL



BACKUP



LICENSE PLATE



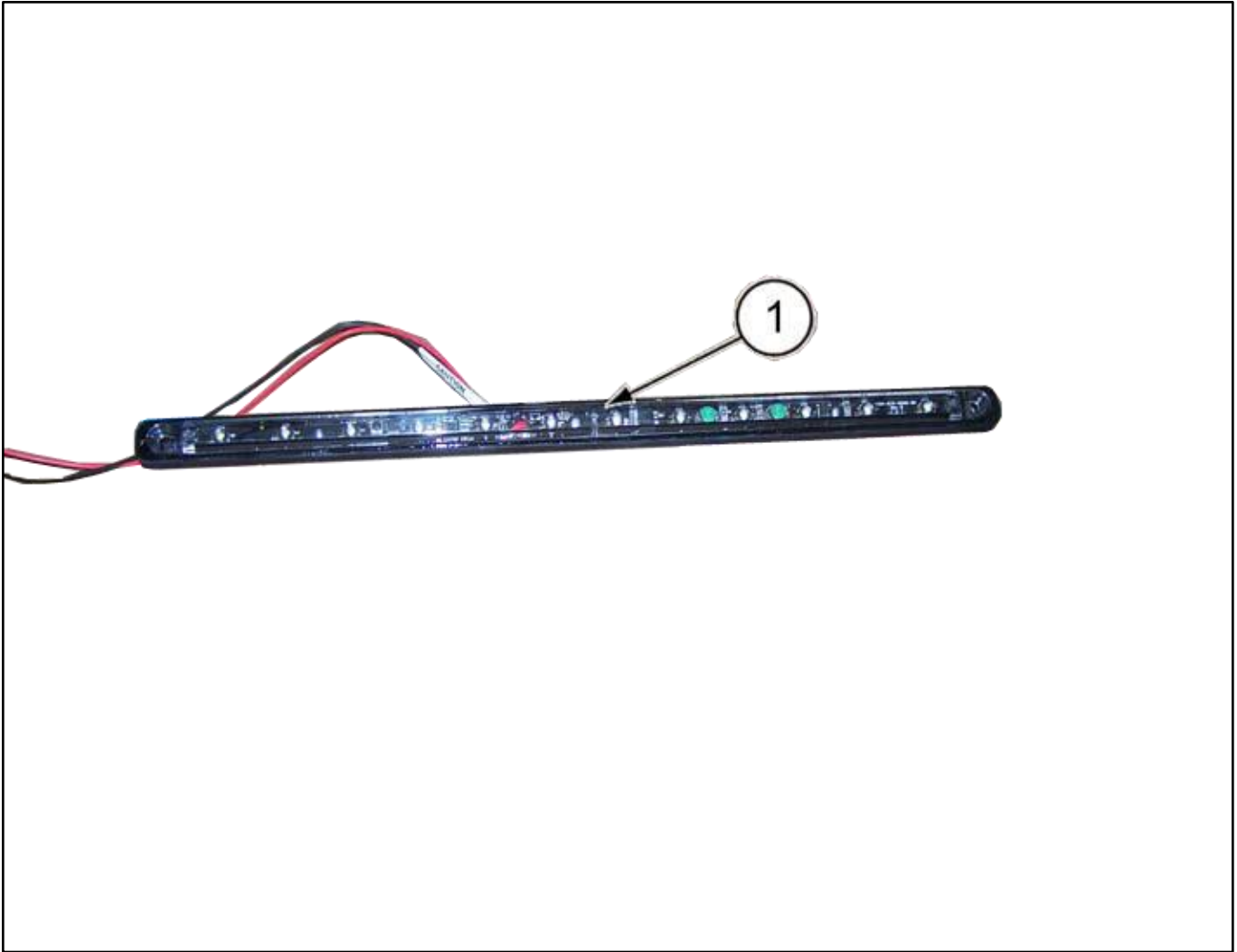
REFLECTOR



FLASHER

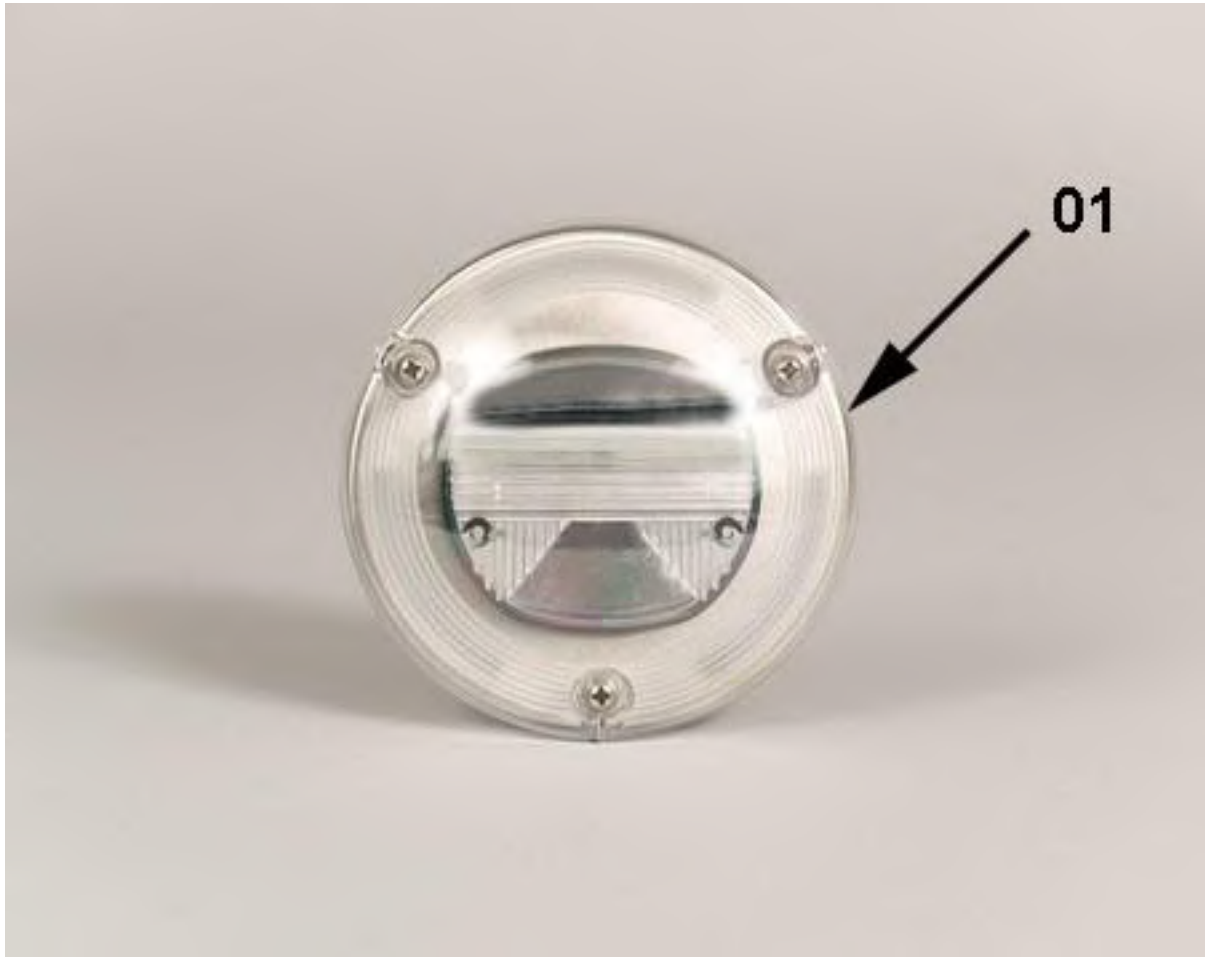
## EXTERIOR BACKWALL LIGHTS 0404379

ITEM	PART NO.	DESCRIPTION	QTY	ITEM	PART NO.	DESCRIPTION	QTY
1	3971690	LIGHT, CLEARANCE 2.5" RED SEALED W/REFL	1	08	3971467	REFLECTOR, RED 3"	2
2	3971691	GROMMET, CLEARANCE LIGHT 2.5" ROUND	7	09	3973015	FLASHER, 16 AMP GROTE 44690	1
3	3971446	LIGHT, STOP/TURN/TAIL ROUND RED 4"	4	N/S	8970394	TAPE, WINDOW SEALEX SX1412 1/4 x 1/2 x 50	A/R
4	3971447	LIGHT, BACKUP ROUND CLEAR 4"	2	N/S	3972774	HARNESS, BACKWALL	1
5	3971471	GROMMET, RUBBER 4" TAIL LIGHT	6	N/S	3972773	HARNESS, REAR CLEARANCE LIGHTS	1
6	3972168	LIGHT, LICENSE PLATE BLACK	1				
7	3972942	BRACKET, LICENSE LIGHT TRUCK LITE 42722	1				



**STRIP LIGHT, LED STEPWELL DOOR HEADER  
PA0000026373**

<i>ITEM PART NO. DESCRIPTION</i>	<i>QTY</i>	<i>ITEM PART NO. DESCRIPTION</i>	<i>QTY</i>
01 3974506 Light, LED Stepwell P-DOT	1		



**stepwell led lights**  
**0418359**

<i>ITEM PART NO. DESCRIPTION</i>	<i>QTY</i>	<i>ITEM PART NO. DESCRIPTION</i>	<i>QTY</i>
<b>0418359 INSTALL, LIGHTS STEPWELL LED</b>			
01 3975133 LIGHT, STEPWELL LED	2		



**STEPWELL LIGHT**  
**CH-000-999-S3122**

<i>ITEM</i>	<i>PART NO.</i>	<i>DESCRIPTION</i>	<i>QTY</i>	<i>ITEM</i>	<i>PART NO.</i>	<i>DESCRIPTION</i>	<i>QTY</i>
01	3971448	LIGHT, COURTESY	1				
	#193	BULB, 2-CP	1				
N/S	3972882	HARNESS, STEPWELL LIGHT	1				





**STEPWELL LIGHT**  
**CH-000-900-3098**

<i>ITEM</i>	<i>PARTNO.</i>	<i>DESCRIPTION</i>	<i>QTY</i>	<i>ITEM</i>	<i>PARTNO.</i>	<i>DESCRIPTION</i>	<i>QTY</i>
01	3971448	LIGHT, COURTESY	1				
	#193	BULB, 2-CP	1				



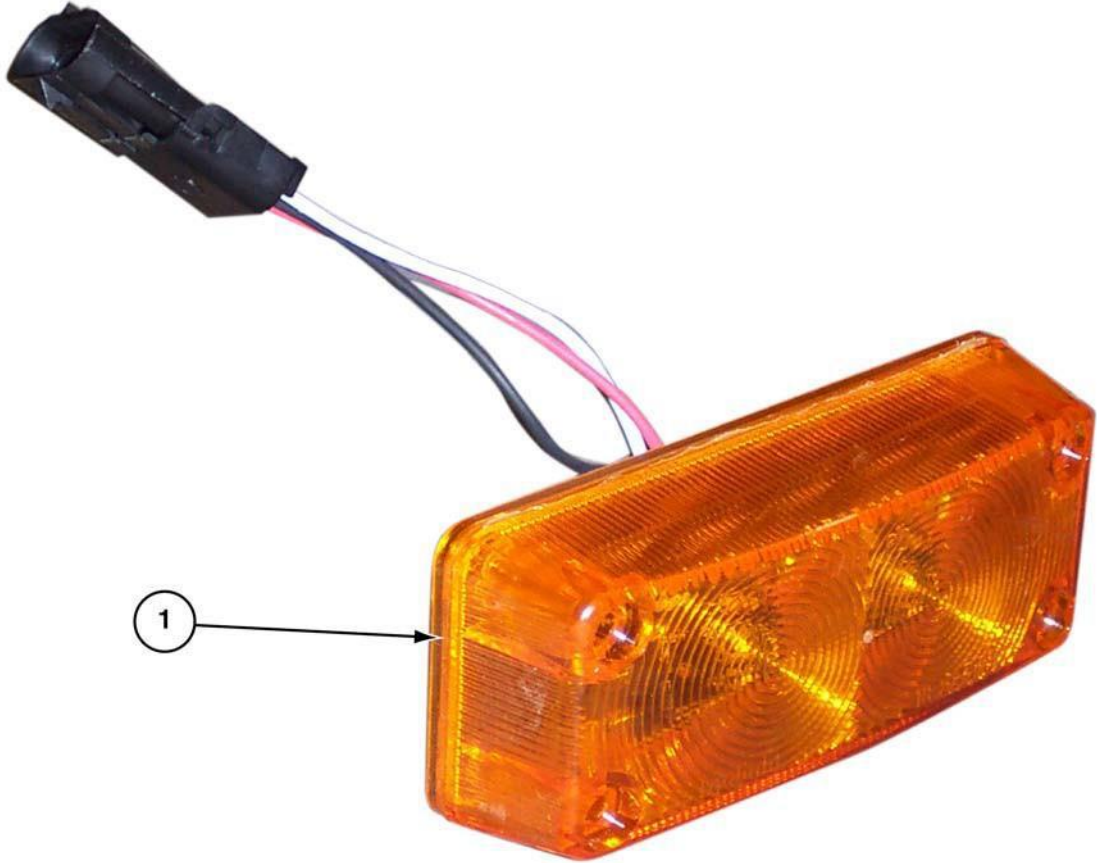
**L.E.D. STEPWELL LIGHT**  
**0415434**

<i>ITEM PART NO. DESCRIPTION</i>	<i>QTY</i>	<i>ITEM PART NO. DESCRIPTION</i>	<i>QTY</i>
01 3973911 LIGHT,STEPWELL L.E.D SOUND-OFF	1		



## SIDEmarkEr Turn IED Ilight 0414483

<i>ITEM PART NO. DESCRIPTION</i>	<i>QTY</i>	<i>ITEM PART NO. DESCRIPTION</i>	<i>QTY</i>
01 3973475 Light, LED Sidemarker Turn Soundoff	2		
02 3970068 Reflector, Rectangular Tape	2		



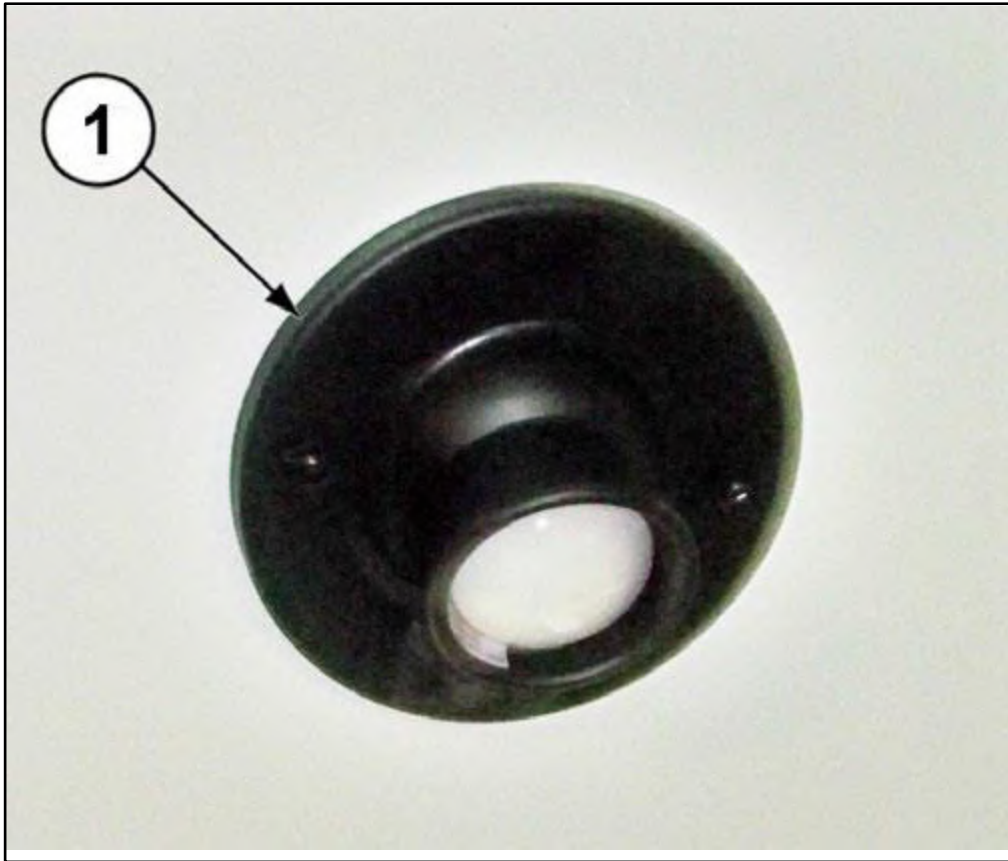
**SIDE DIRECTIONAL/MARKER LIGHT (LED)**  
**AB-350-900-3102**

<i>ITEM</i>	<i>PARTNO.</i>	<i>DESCRIPTION</i>	<i>QTY</i>	<i>ITEM</i>	<i>PARTNO.</i>	<i>DESCRIPTION</i>	<i>QTY</i>
01	3972795	LIGHT, SIDEMARKERCENTER (LED)	2				



**led side docking pocketed light  
0420877**

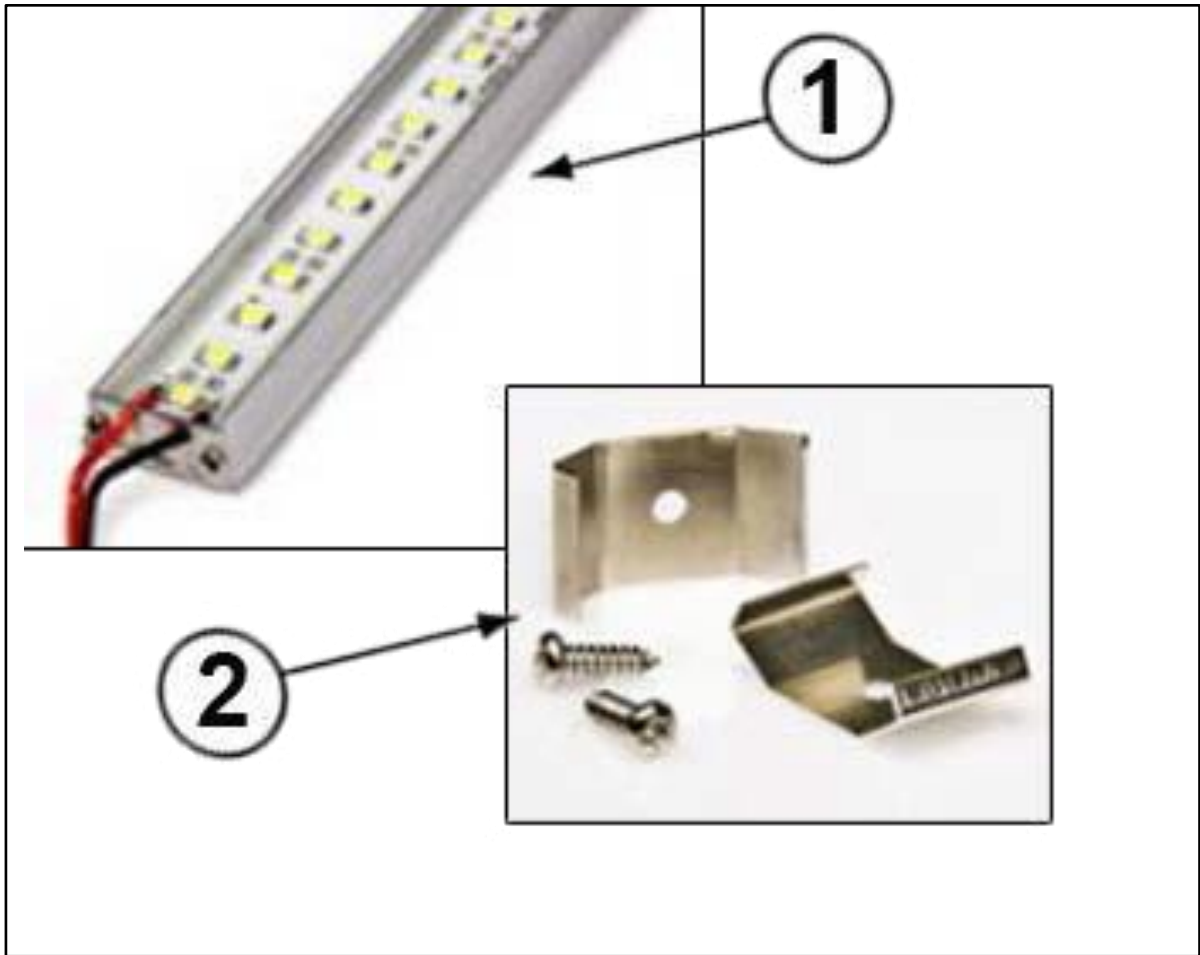
<i>ITEM</i>	<i>PART NO.</i>	<i>DESCRIPTION</i>	<i>QTY</i>	<i>ITEM</i>	<i>PART NO.</i>	<i>DESCRIPTION</i>	<i>QTY</i>
01	3975727	Light, Side Docking Pocketed LED	2				
	3971855	Connector, Weather Pak 2-Female	2				
	3971856	Connector, Weather Pak 2-Way Male	2				
	3970969	Terminal, Packard Male	2				
	3970985	Seal, Packard Cable	4				
	3970977	Terminal, Mating Female	2				



**driver's swivel led light  
0419123**

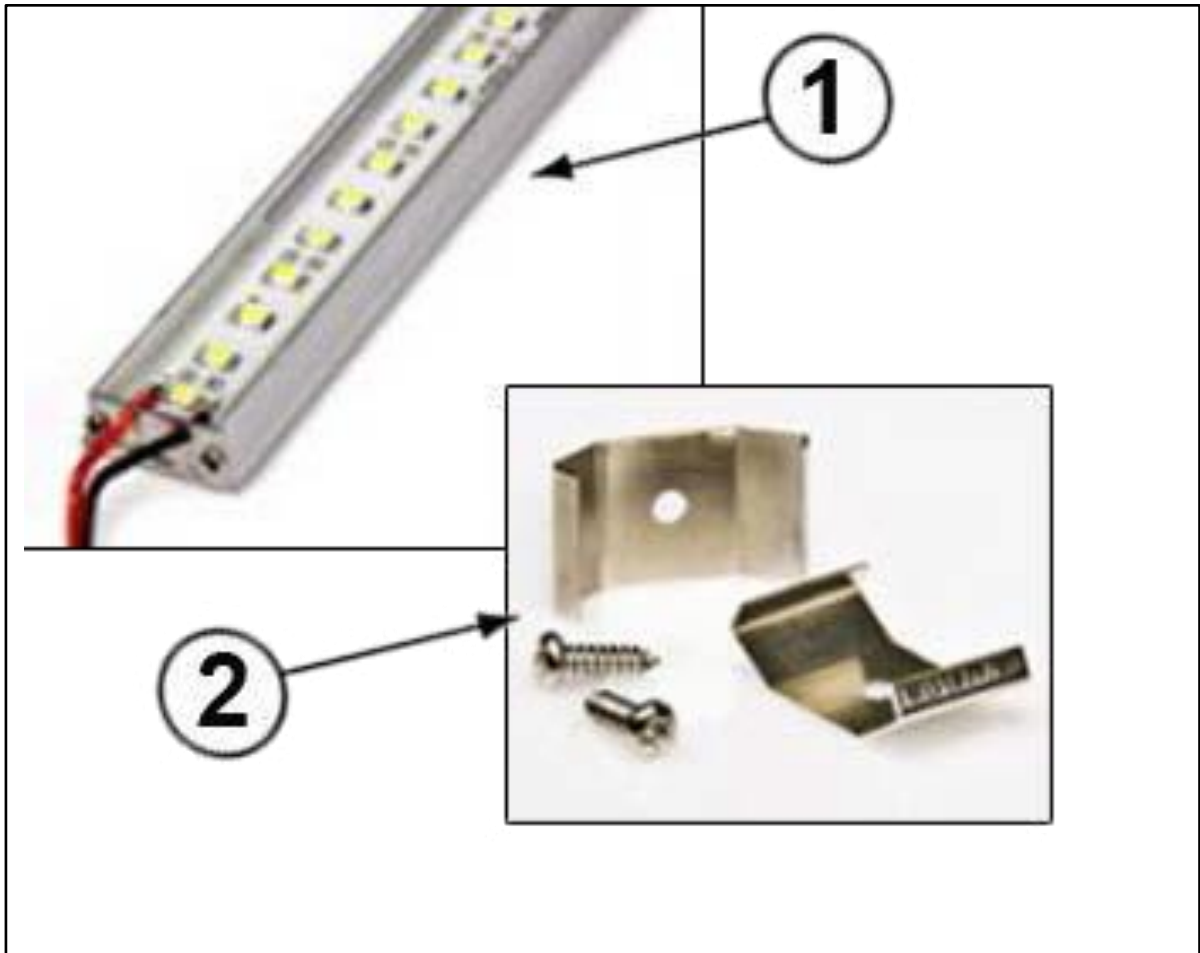
<u>ITEM</u>	<u>PART NO.</u>	<u>DESCRIPTION</u>	<u>QTY</u>	<u>ITEM</u>	<u>PART NO.</u>	<u>DESCRIPTION</u>	<u>QTY</u>
01	3975335	Light, Driver Swivel LED	1				

**NOTE: Picture may not represent actual light.**



## ENGINE COMPARTMENT LIGHT LED sTRIP (6") 0418976-PdOT

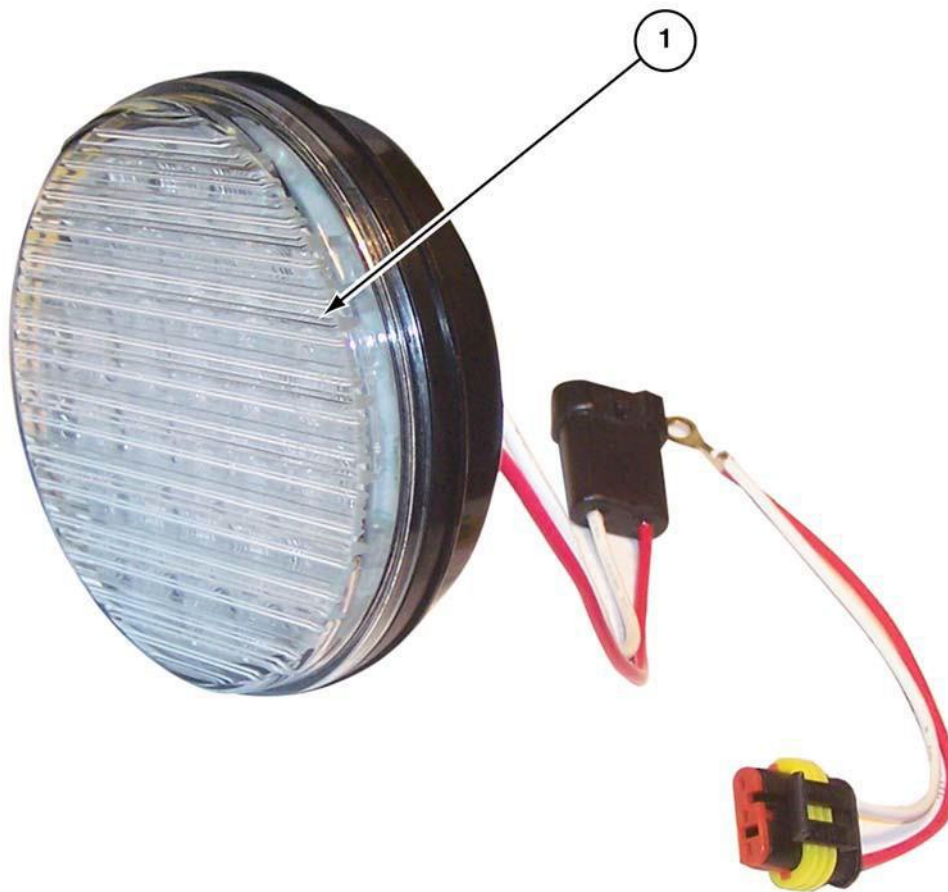
<i>ITEM</i>	<i>PART NO.</i>	<i>DESCRIPTION</i>	<i>QTY</i>	<i>ITEM</i>	<i>PART NO.</i>	<i>DESCRIPTION</i>	<i>QTY</i>
1	3975336	Light, Engine Comp LED 6" Strip	1				
2	3975474	Bracket, Hood Light Plunger Switch	1				
NS	3975426	Switch, Momentary Plunger	1				



**ENGINE COMPARTMENT LIGHT LED sTRIP (6")**  
**0421614 / (INTL & M2)**

<i>ITEM</i>	<i>PART NO.</i>	<i>DESCRIPTION</i>	<i>QTY</i>	<i>ITEM</i>	<i>PART NO.</i>	<i>DESCRIPTION</i>	<i>QTY</i>
1	3975336	Light, Engine Comp LED 6" Strip	1				
2	3975374	Switch, Ballbearing Tilt	1				





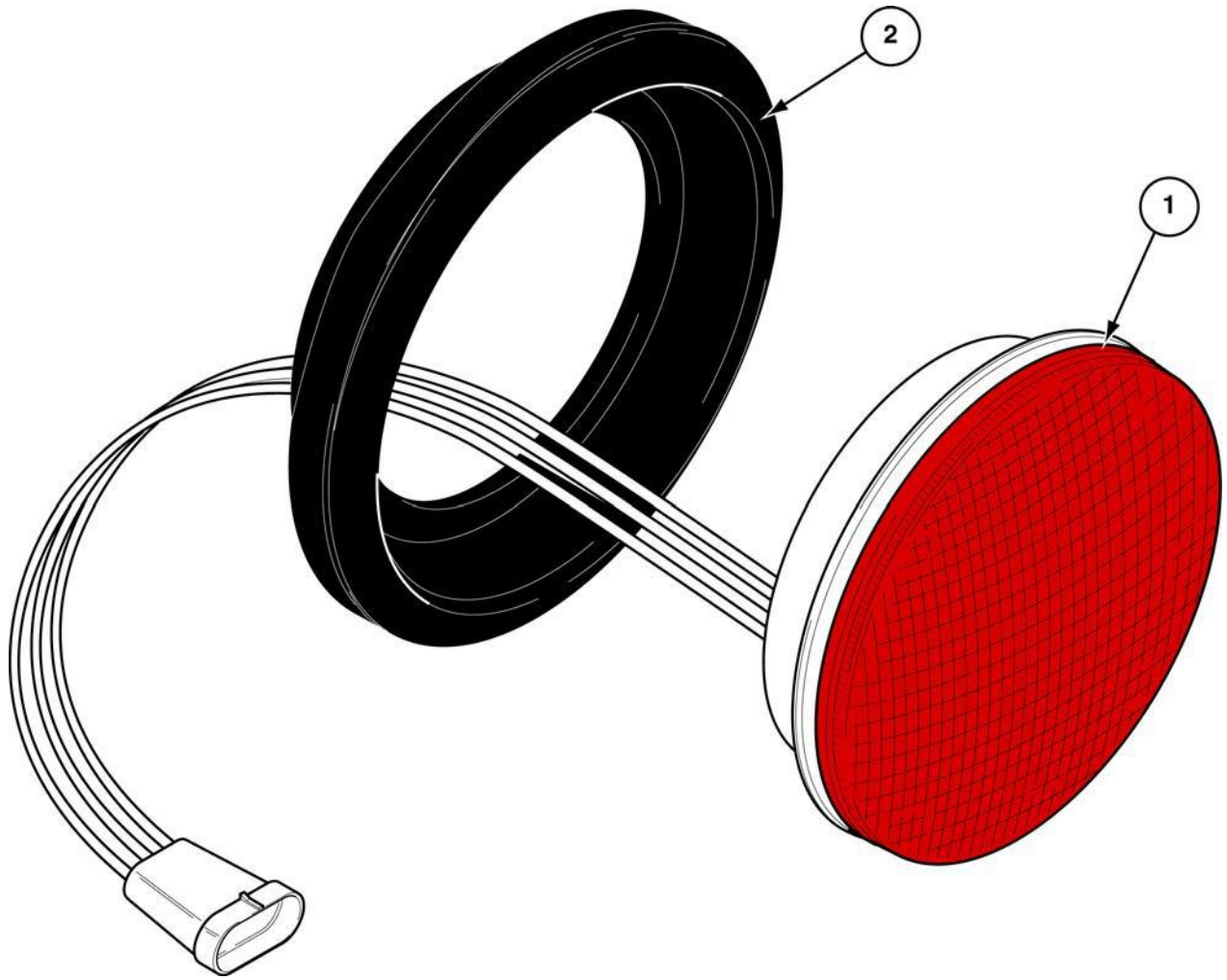
**ADA EXTERIOR LIGHT**  
**0415615**

<i>ITEM PART NO. DESCRIPTION</i>	<i>QTY</i>	<i>ITEM PART NO. DESCRIPTION</i>	<i>QTY</i>
01 3973291 LIGHT, 4" DIA CLEARLED (SOUNDOFF)	1		



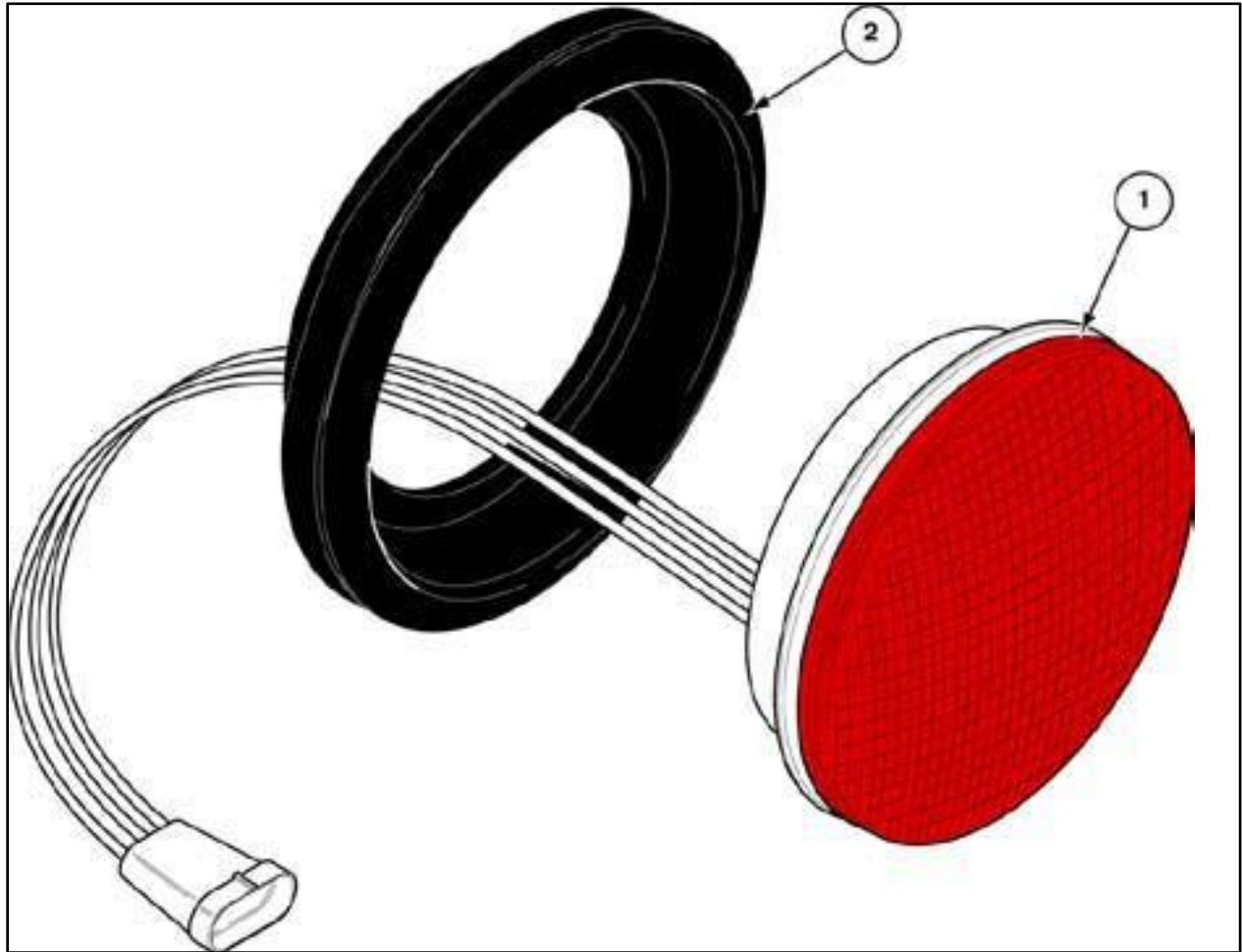
**interior & exterior ada light  
0415615 / 0420684**

<i>ITEM</i>	<i>PART NO.</i>	<i>DESCRIPTION</i>	<i>QTY</i>	<i>ITEM</i>	<i>PART NO.</i>	<i>DESCRIPTION</i>	<i>QTY</i>
		<b>0415615 Lights Exterior ADA LED Lights</b>				<b>0420684 Install, Interior Lift Light LED</b>	
01	3973291	Light, LED 4" Clear	2	01	3973291	Light, LED 4" Clear	1
				NS	3971471	Grommet, Rubber 4"	1
				NS	3371024	ABS, Bezel 4" Round Interior Lift Light	1



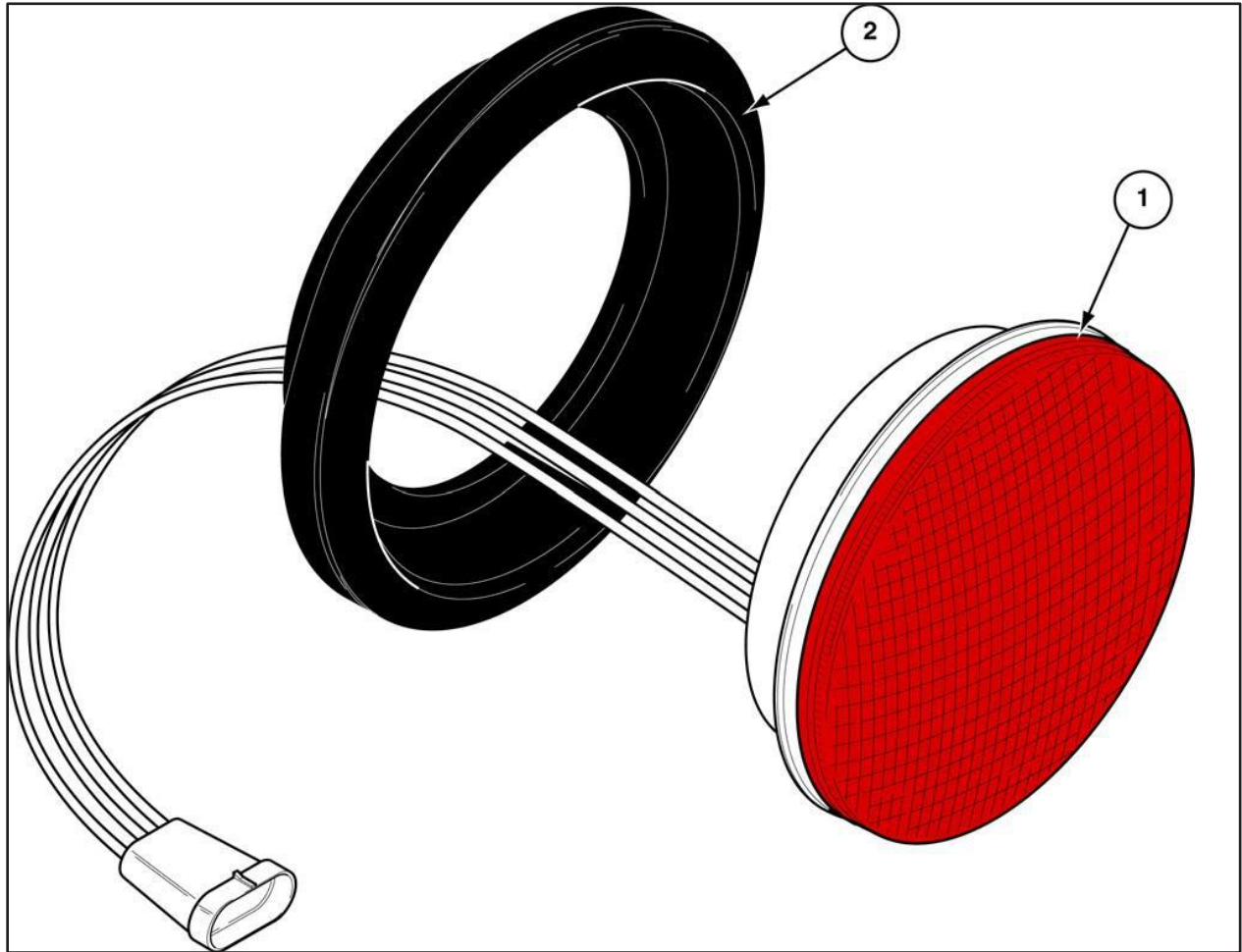
**REAR CENTER BRAKE LIGHT**  
**0413229**

<i>ITEM</i>	<i>PARTNO.</i>	<i>DESCRIPTION</i>	<i>QTY</i>	<i>ITEM</i>	<i>PARTNO.</i>	<i>DESCRIPTION</i>	<i>QTY</i>
1	3973293	LIGHT, LED(4" RED) STOP/TAIL/TURN	1				
2	3971471	GROMMET, RUBBER	1				



## ReaR Center BRake Light - Led 22826 - aLL aSSeMBLies

<i>ITEM PART NO. DESCRIPTION</i>	<i>QTY</i>	<i>ITEM PART NO. DESCRIPTION</i>	<i>QTY</i>
1 3971446 Light, Stop & Tail Round	1		
2 3972986 Grommet, 4" Light Peterson B426-18	1		
N/S 3972919 Harness, Rear Center Brake Light	1		



## Rear Center Brake Light - Led

Cx000SO20046 / 0413229

<i>ITEM PART NO. DESCRIPTION</i>	<i>QTY</i>	<i>ITEM PART NO. DESCRIPTION</i>	<i>QTY</i>
1 3973293 Light, 4" Red Stop/T/T	1		
2 3971471 Grommet, Tail Light Rubber	1		
3 3972986 Grommet, 4" Light	1		
NS 3972920 Harness, Rear Center Brake Light	1		



## red aux 4" brake lights 0418305

<i>ITEM</i>	<i>PART NO.</i>	<i>DESCRIPTION</i>	<i>QTY</i>	<i>ITEM</i>	<i>PART NO.</i>	<i>DESCRIPTION</i>	<i>QTY</i>
01	3973293	Light, LED 4" Red Stop/T/T	2				
NS	3972920	Harness, Rear Center Brake Light LED	2				



## amber flashing led light 0420645

<i>ITEM</i>	<i>PART NO.</i>	<i>DESCRIPTION</i>	<i>QTY</i>	<i>ITEM</i>	<i>PART NO.</i>	<i>DESCRIPTION</i>	<i>QTY</i>
1	3973292	Light, LED 4" Amber T/T	2				
2	3972986	Grommet, 4" Light	2				
NS	3974531	Panel, Flasher Add On	1				



**amber flashing led light**  
**0419785**

<i>ITEM</i>	<i>PART NO.</i>	<i>DESCRIPTION</i>	<i>QTY</i>	<i>ITEM</i>	<i>PART NO.</i>	<i>DESCRIPTION</i>	<i>QTY</i>
1	3973292	Light, LED 4" Amber T/T	2				
2	3972986	Grommet, 4" Light	2				
NS	3973271	Flasher, Solid State 6A-LED	1				





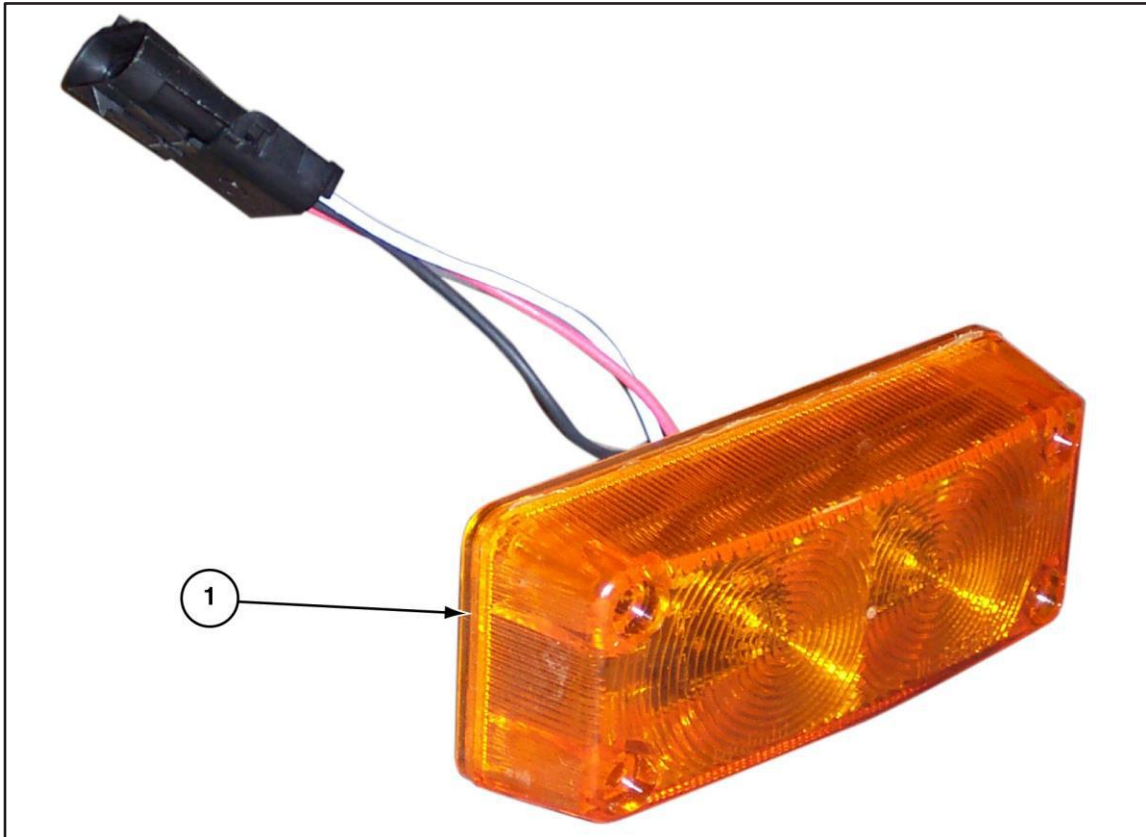
**Quad LEd FLashEr Light - rEd  
0421575**

<i>ITEM</i>	<i>PART NO.</i>	<i>DESCRIPTION</i>	<i>QTY</i>	<i>ITEM</i>	<i>PART NO.</i>	<i>DESCRIPTION</i>	<i>QTY</i>
01	3975888	Light, Quad Flash Red	2				
NS	3974588	Grommet, Oval LED	1				



**clear 4" led backup light  
0419125**

<i>ITEM</i>	<i>PART NO.</i>	<i>DESCRIPTION</i>	<i>QTY</i>	<i>ITEM</i>	<i>PART NO.</i>	<i>DESCRIPTION</i>	<i>QTY</i>
01	3973294	Light, LED 4" Clear Backup	2				



## side directional lights

**cX0000023104**

<i>ITEM PART NO. DESCRIPTION</i>	<i>QTY</i>	<i>ITEM PART NO. DESCRIPTION</i>	<i>QTY</i>
01 3972795 Light, LED Side Marker Cntr	2		
NS 0403288 Harness, Side Directional	1		
NS 3971517 P-Clamp, Vinyl Coated Steel 5/8	3		
NS 3970068 Reflector, Rectangle Tape Red	2		
NS 3972862 Reflector, Mini Stick-On Rectangle	2		



**SIDE DIRECTIONAL LIGHT - GUARDED**  
**3972407**

<i>ITEM PART NO. DESCRIPTION</i>	<i>QTY</i>	<i>ITEM PART NO. DESCRIPTION</i>	<i>QTY</i>
01 3972407 Light, Side Directional LED - Guarded	2		



**L.E.D. SIDEMARKER LIGHT**  
**0415671**

<i>ITEM PART NO. DESCRIPTION</i>	<i>QTY</i>	<i>ITEM PART NO. DESCRIPTION</i>	<i>QTY</i>
01 3973470 LIGHT,L.E.D.SIDEMARKER	2		



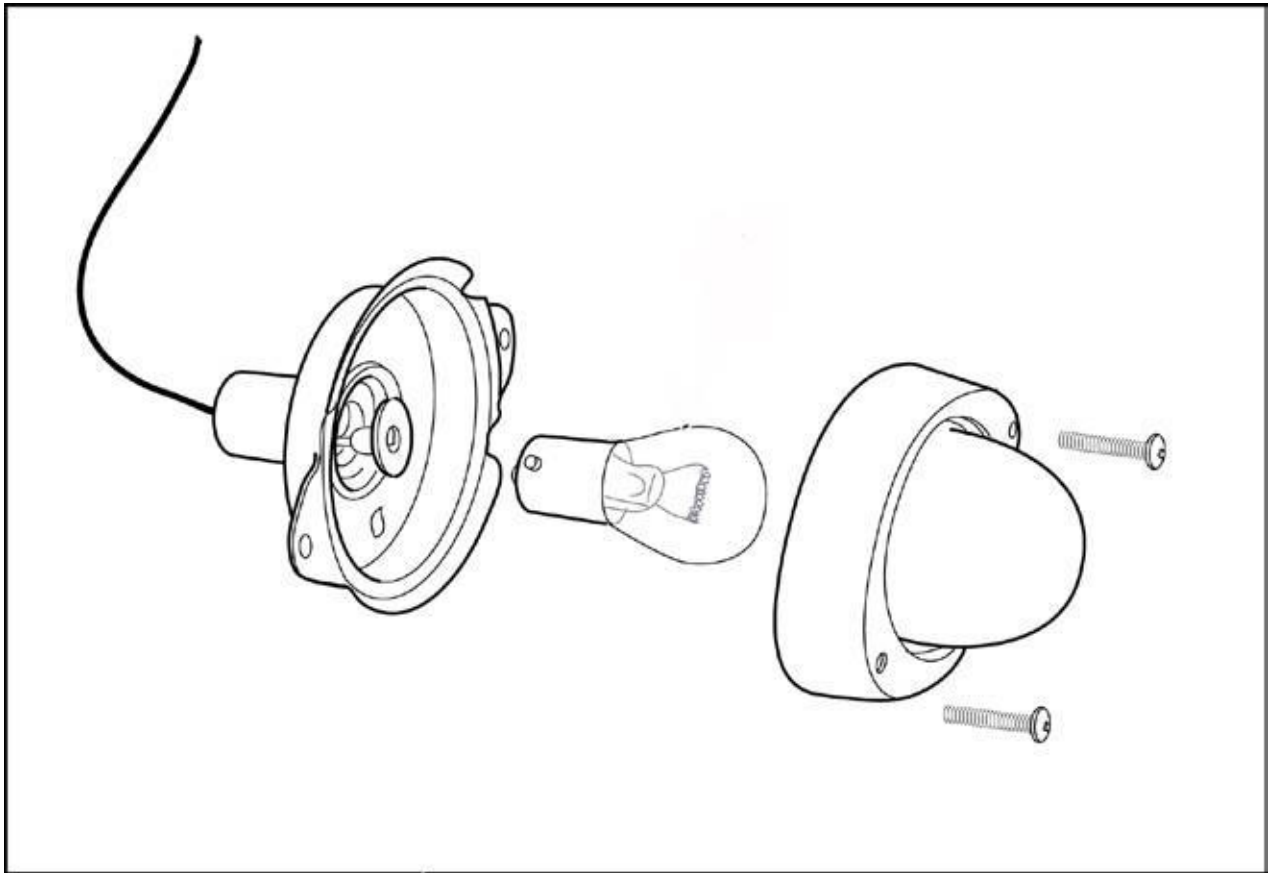
**Floor lights in kick boards (per light)**  
**cx-000-900-0112**

<i>ITEM PART NO. DESCRIPTION</i>	<i>QTY</i>	<i>ITEM PART NO. DESCRIPTION</i>	<i>QTY</i>
01 3972878 Light, Interior Flush Mount	1		



**underseat lighting**  
**0421880 / 3971448**

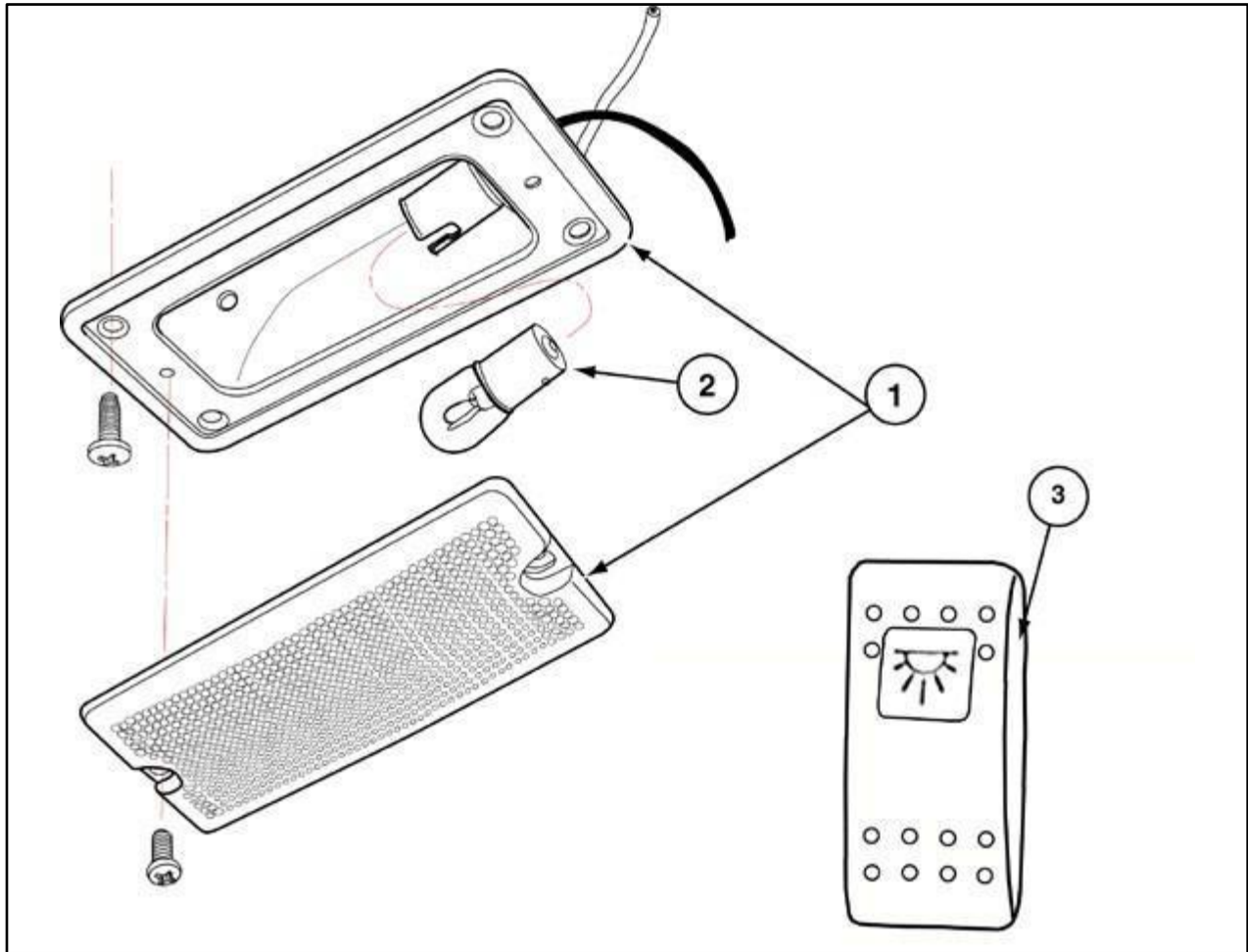
<i>ITEM</i>	<i>PART NO.</i>	<i>DESCRIPTION</i>	<i>QTY</i>	<i>ITEM</i>	<i>PART NO.</i>	<i>DESCRIPTION</i>	<i>QTY</i>
01	3971448	Light, Courtesy	10				
NS	3973895	Actuator, Reading Lights	1				
NS	3973881	Switch, Carling On/Off	1				
NS	3975674	Conduit, Raceway Endcap Gray	4				
NS	3975675	Conduit, Raceway Gray	50				
NS	3974526	Harness, Center Lights	2				



## Install landing light w/guard 0413410

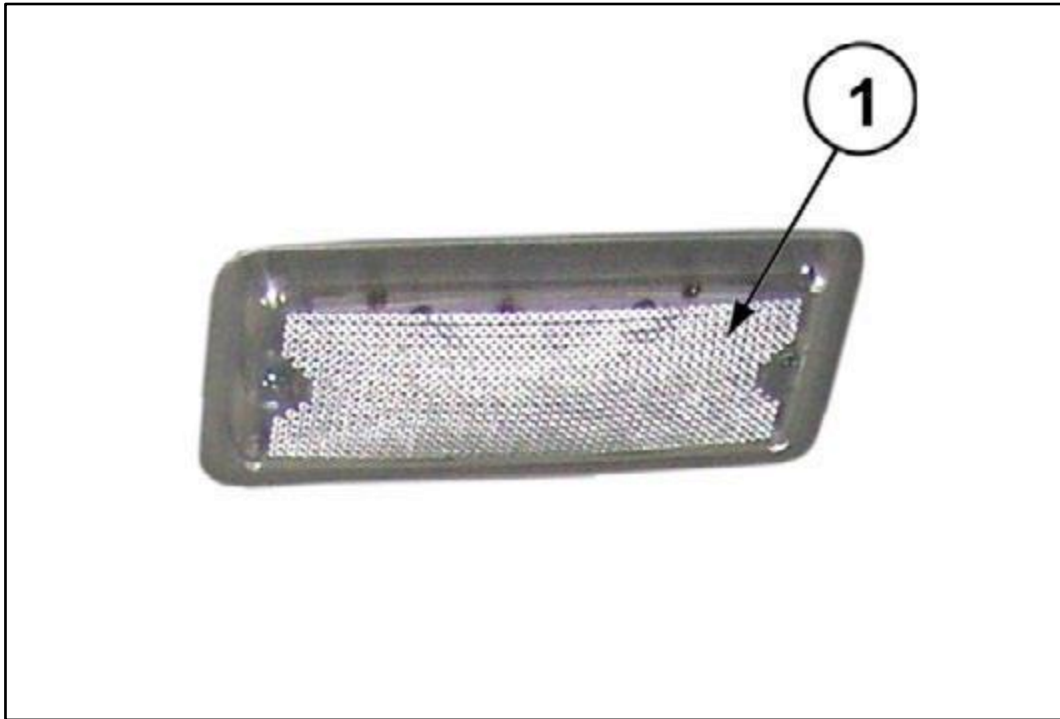
<i>ITEM PART NO. DESCRIPTION</i>	<i>QTY</i>	<i>ITEM PART NO. DESCRIPTION</i>	<i>QTY</i>
01 3973229 Light, Stepwell Clear w/Guard	1		
N/S 3972882 Harness, Stepwell Light CH	1		
N/S 0741009 Tube, Shrink .25 PF-1/4-4BK	A/R		
N/S 3970472 Breaker, 15 AMP 1771-1520 (Silver)	1		





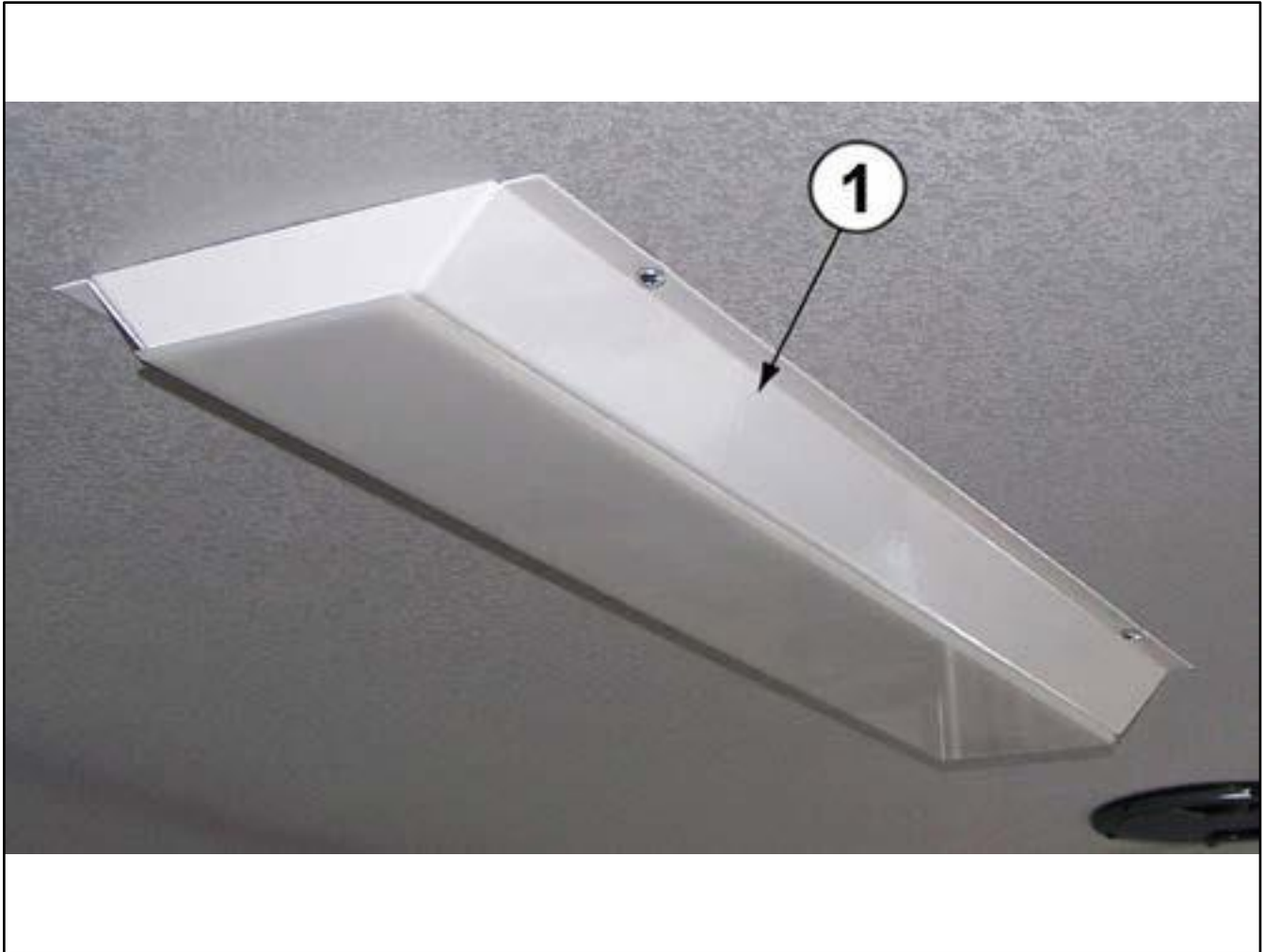
## INTERIOR DOME LIGHTING 3097 /1221

ITEM	PART NO.	DESCRIPTION	QTY	ITEM	PART NO.	DESCRIPTION	QTY
01	3943917	LIGHT, DOME WITHOUT SWITCH	AR	<b>REFERS TO ALL ASSEMBLIES LISTED BELOW:</b>			
02	3971470	BULB (1141)	AR	CH-000-900-3097 (REV-A)	CX0000023097 (REV-A)		
03	3945193	SWITCH, CARLING ON/OFF/ON	1	CH-220-999-3097	0403157	EZ-280-999-3097	
N/S	3973901	ACTUATOR, BLANK	1	CH-250-999-3097	0403077		
				CH-251-999-3097	0415381		
				CH-270-999-3097	0415382		
				CH-280-999-3097	0415383		
				CR-211-999-3097	0416397		
				CT-330-999-3097	CH-270-900-1221		
				BG-340-999-1221	CH-280-999-3097		
				CT-380-900-1221	CT-330-900-1221		
				DF-290-999-1221	CT-330-999-3097		
				DF-310-999-1221	DF-293-999-1221		



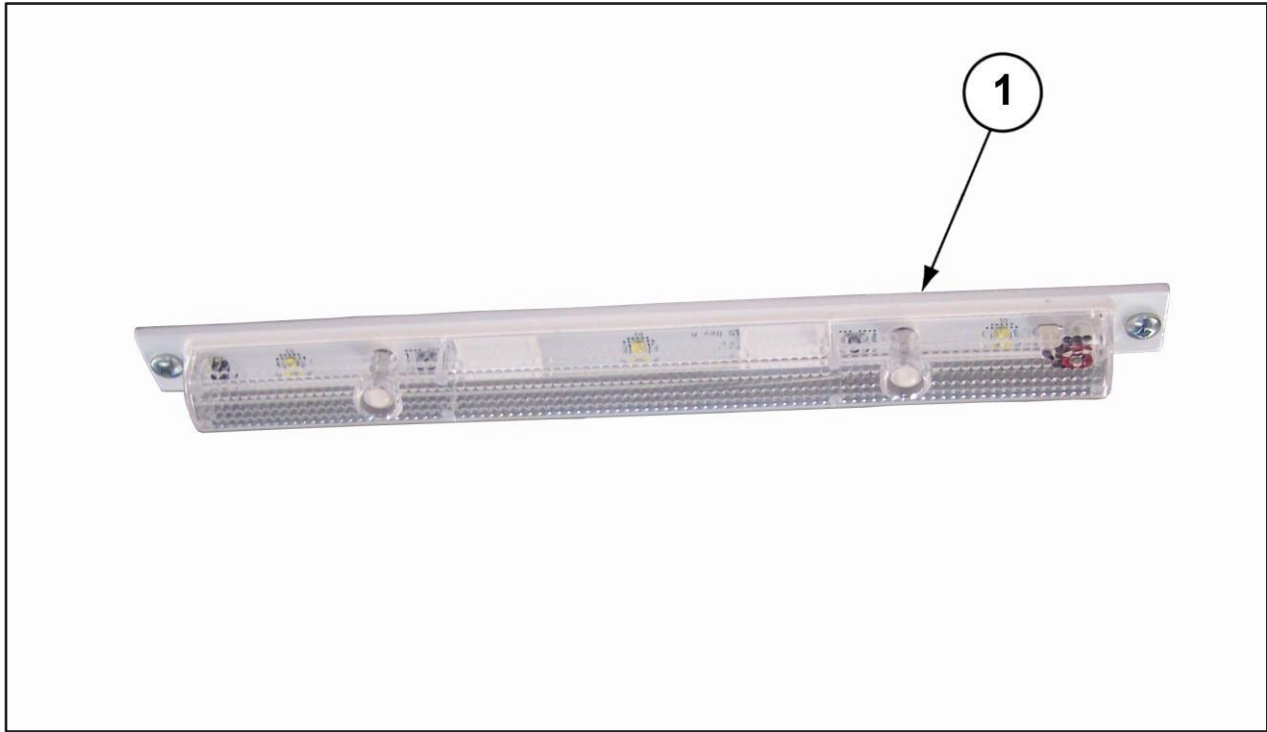
**led interior dome light**  
**0419252 / 0418247 - 3974891**

<i>ITEM</i>	<i>PART NO.</i>	<i>DESCRIPTION</i>	<i>QTY</i>	<i>ITEM</i>	<i>PART NO.</i>	<i>DESCRIPTION</i>	<i>QTY</i>
01	3974891	Light, LED Interior Dome	AR				



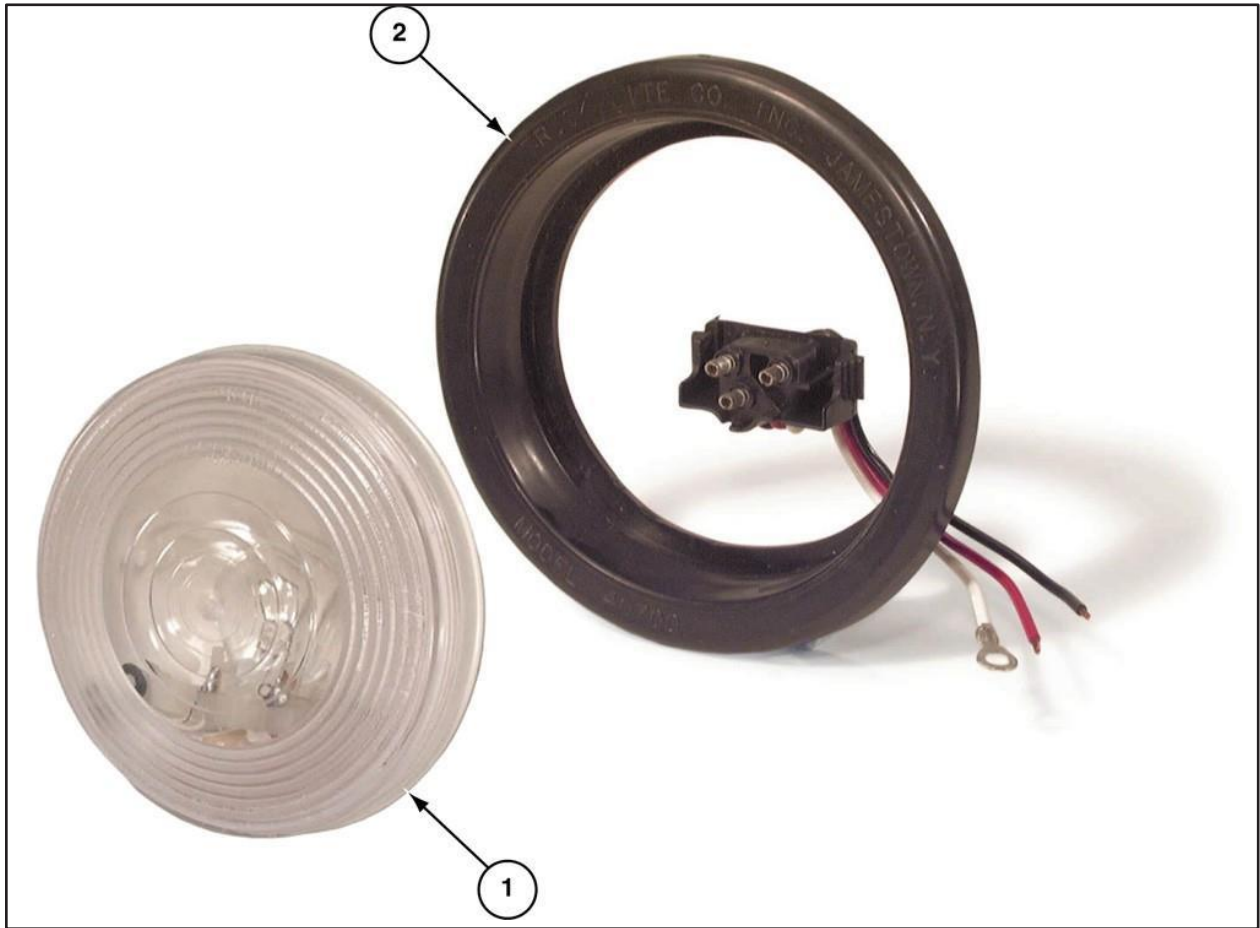
## 24" interior led light 0422529

<i>ITEM PART NO. DESCRIPTION</i>	<i>QTY</i>	<i>ITEM PART NO. DESCRIPTION</i>	<i>QTY</i>
01 3976232 Light, Interior LED Star 24"	AR		



## INTERIOR LIGHTS, 12" LED STRIP 0416399

<i>ITEM PART NO. DESCRIPTION</i>	<i>QTY</i>	<i>ITEM PART NO. DESCRIPTION</i>	<i>QTY</i>
01 3974361 Light, LED Strip 12"	8		
NS 3972645 Breaker, 5 AMP Manual Reset	1		



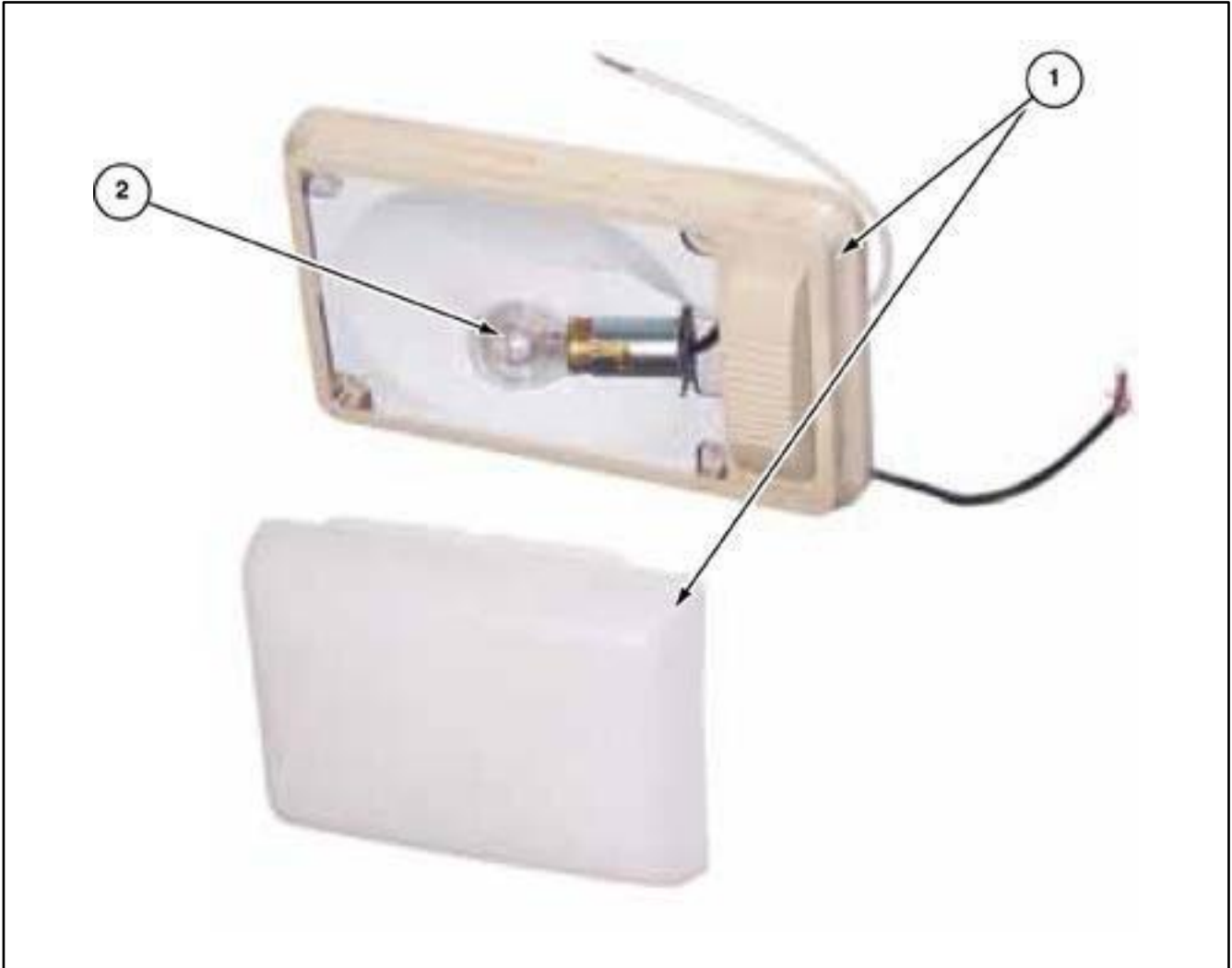
**light, led entry p-dot**  
**0415734**

<i>ITEM PART NO. DESCRIPTION</i>	<i>QTY</i>	<i>ITEM PART NO. DESCRIPTION</i>	<i>QTY</i>
1 3973291 Light, LED 4" Clear Backup	1		
2 3371024 Bezel, 4" Round Interior Lift Light	1		



## Install Light, Double bullet CX0000021206

ITEM	PART NO.	DESCRIPTION	QTY	ITEM	PART NO.	DESCRIPTION	QTY
01	3971720	Light, Double Aircraft w/ Camlocks	1				
N/S	0412012	Install Pigtail Double Bullet Light	1				



## luggage compartment light

**0421881 / 3971432**

ITEM	PART NO.	DESCRIPTION	QTY	ITEM	PART NO.	DESCRIPTION	QTY
01	3971432	Light, Single (4 x 4) PRD/DYM	1				
NS	3971552	Terminal, Pin Amp #350547-1	2				
NS	3971543	Connector, Amp Mate-N-Lock Cap 2-Way	1				

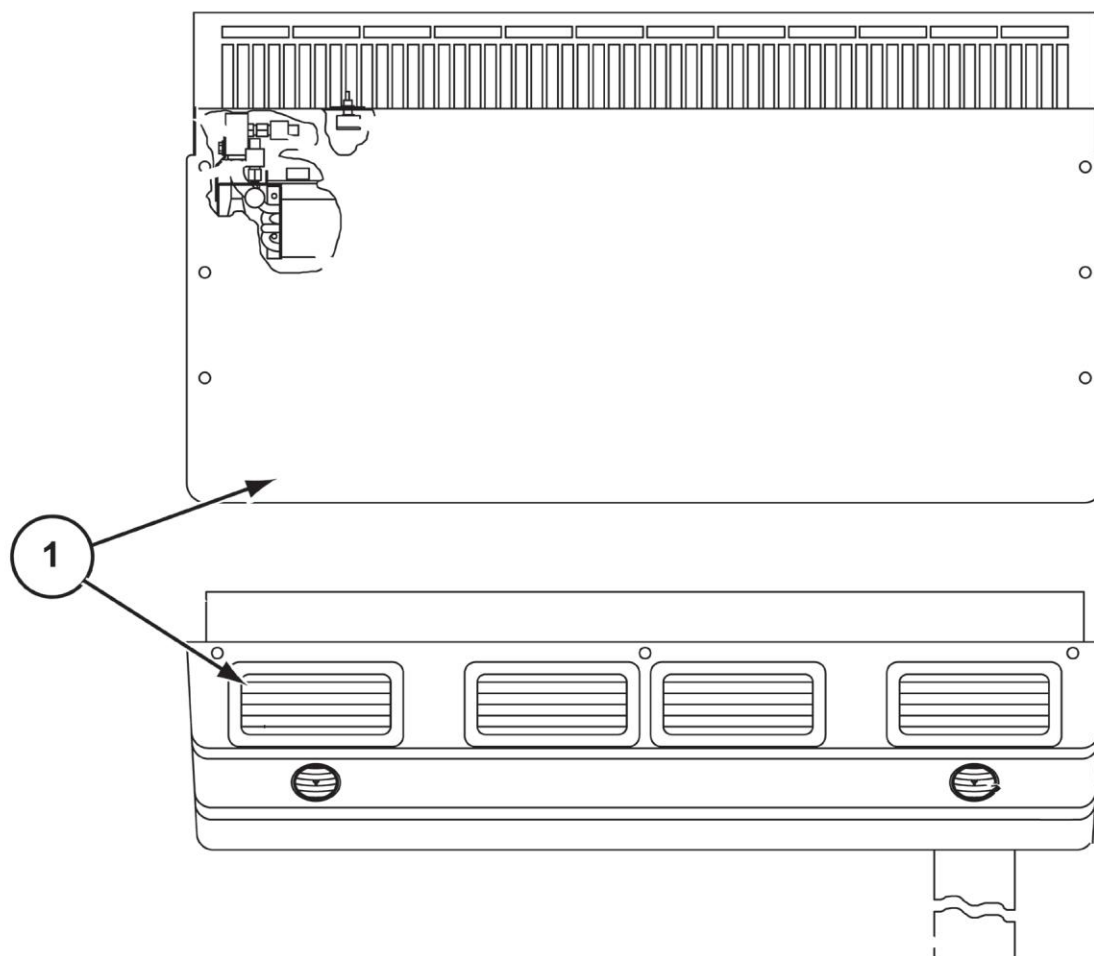


**CHAMPION**  
**BUS, INC.**  
Thor Industries Commercial Bus Division

# **SECTION 8:**

# **HEaTING & COOIIING**

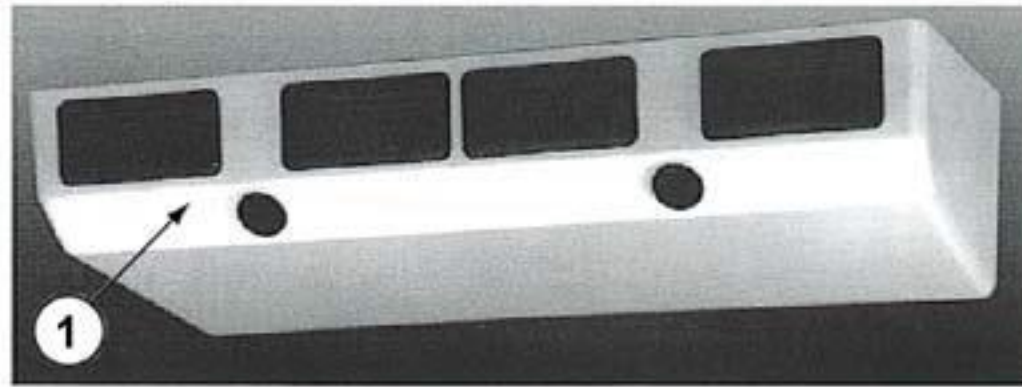




## EVAPORATOR EZ-5 ACT SYSTEM

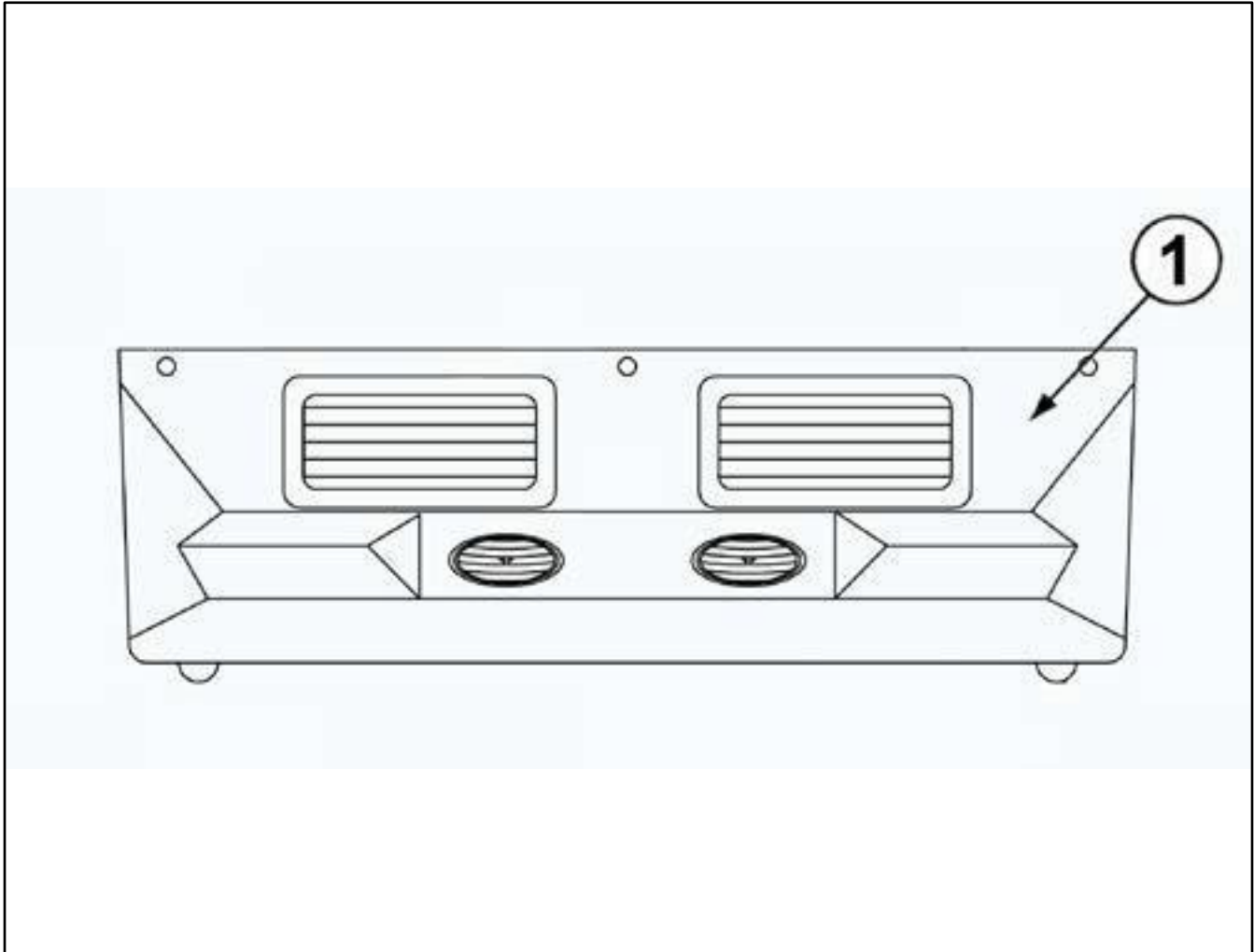
### 0411277, 0418479P-DOT

<i>ITEM PART NO. DESCRIPTION</i>	<i>QTY</i>	<i>ITEM PART NO. DESCRIPTION</i>	<i>QTY</i>
01 1770965 Evaporator, EZ-5 ACT	1		
NS 0374655 Bracket, Air Conditioner Mount	2		
<b><i>0402959 Install, PAD Evaporator EM-1-2</i></b>			
NS 0970014 Lauan, Raw 3.6 x 48 x 96	AR		
NS 7371128 Vinyl, Harbor Moonbeam	AR		
NS 8570697 Staple, CO3 GAAPM Silver	AR		
NS 8570948 Screw, 8 x 3/4 RND Phil Washer	3		



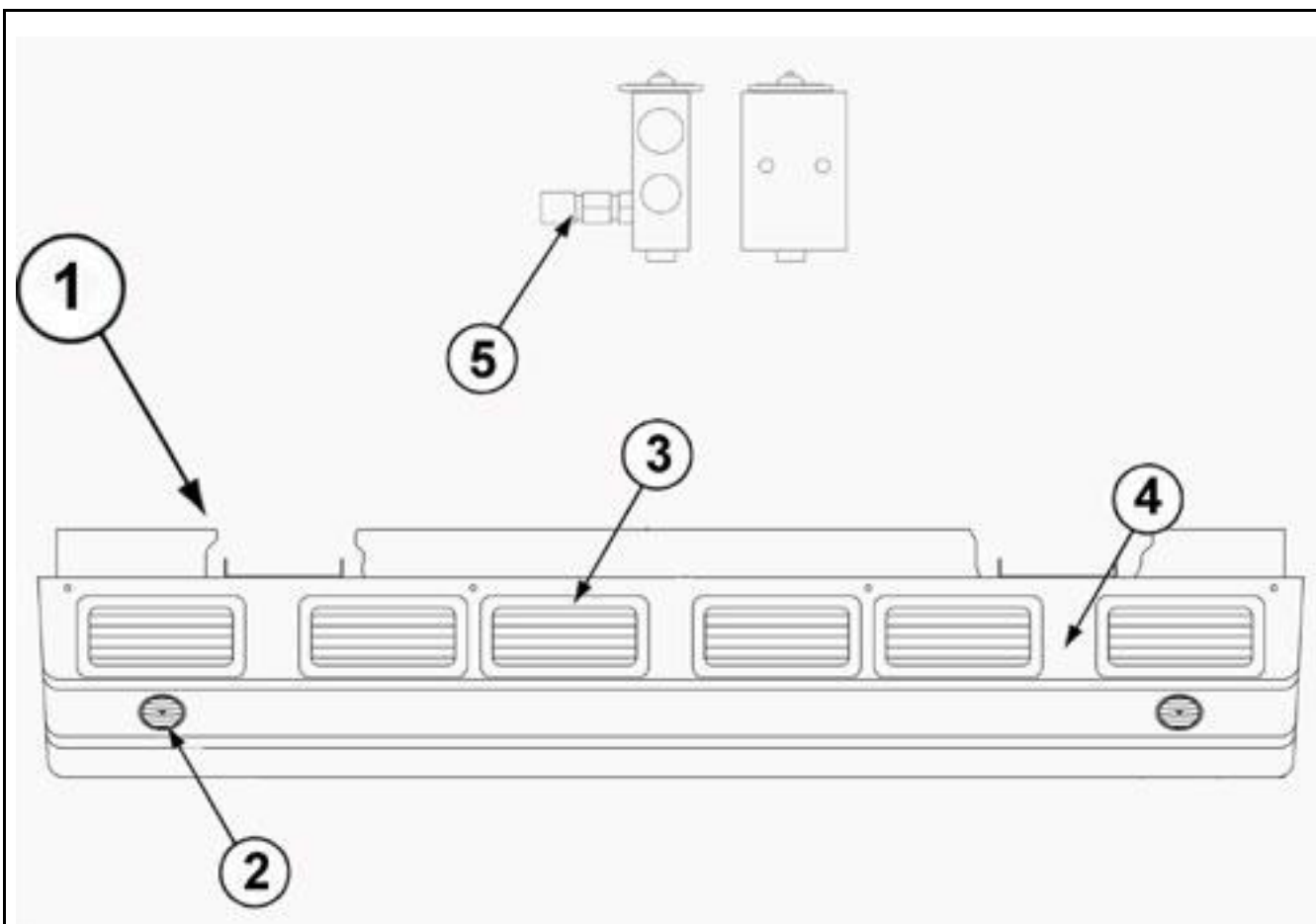
**rear ez5 evaporator w/heat**  
**01771933**

<u>ITEM</u>	<u>PART NO.</u>	<u>DESCRIPTION</u>	<u>QTY</u>	<u>ITEM</u>	<u>PART NO.</u>	<u>DESCRIPTION</u>	<u>QTY</u>
01	1771933	Evaporator, Rear EZ-5 W/Heat	1				



**act evaporator ez-3 side mount  
1771968**

<i>ITEM</i>	<i>PART NO.</i>	<i>DESCRIPTION</i>	<i>QTY</i>	<i>ITEM</i>	<i>PART NO.</i>	<i>DESCRIPTION</i>	<i>QTY</i>
01	1771968	Evaporator, EZ-3 Side Mount	1				
NS	1771891	Kit, Install Without Fittings	1				
NS	0342782	Bracket, A/C 303-117	1				
NS	0413543	Install, Holder Fuse Mega	1				



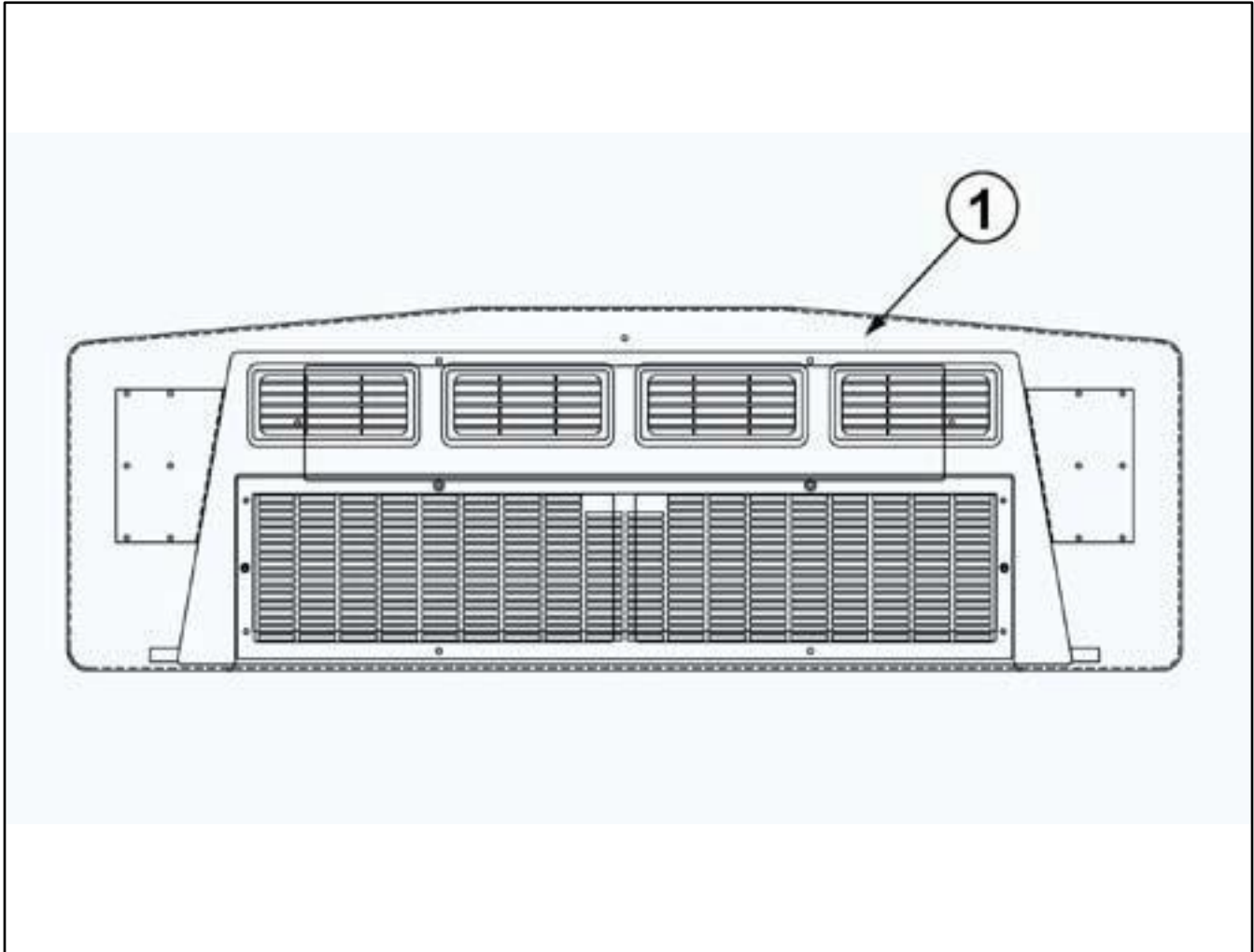
## EVAPORATOR - ACT EZ-91

**0419549 / 1771551**

ITEMPART NO.	DESCRIPTION	ITEMPART NO.	DESCRIPTION
1	1771551 EVAPORATOR, EZ-91 ACT SL	1	
2	N/A* LOUVER, 2" DIA W/ SPRING CLIP	2	
3	N/A* AIR BEZEL OUTLET - FIXED	6	
	N/A* AIR BEZEL OUTLET - ADJUSTABLE (NS)	6	
4	N/A* COVER ASSEMBLY, WHITE EZ-9 EVAP	1	
5	N/A* EXPANSION VALVE, BLOCK 5/8 SUCTION WITH H/S PRESSURE PORT, 134A	2	

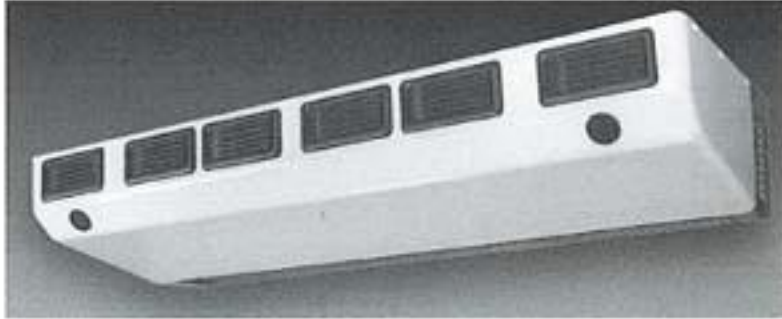
*\*N/A - Part Number not available at this time.*

*Contact your Parts Representative for part numbers.*



**act evaporator ez-2-91 w/heat**  
**0420253 / 1771869**

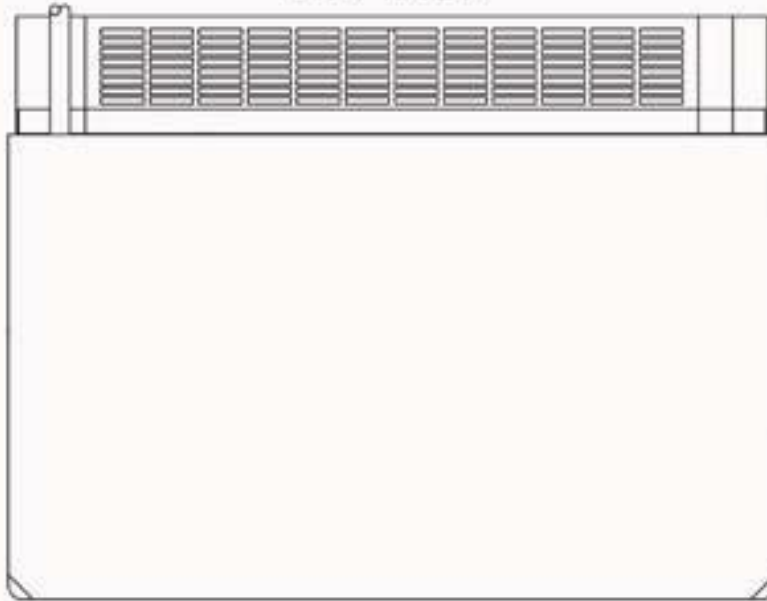
<u>ITEM</u>	<u>PART NO.</u>	<u>DESCRIPTION</u>	<u>QTY</u>	<u>ITEM</u>	<u>PART NO.</u>	<u>DESCRIPTION</u>	<u>QTY</u>
01	1771869	Evaporator, EZ-2-91 Rear With Heat	1				



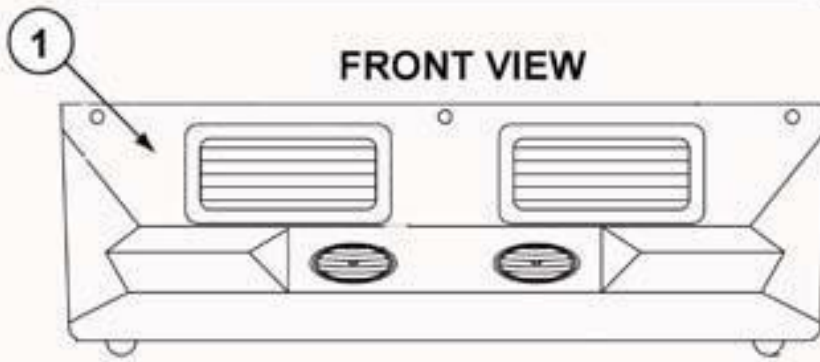
**act rear mount evaporator ez-9  
0420443 / 1771084**

<i>ITEM</i>	<i>PART NO.</i>	<i>DESCRIPTION</i>	<i>QTY</i>	<i>ITEM</i>	<i>PART NO.</i>	<i>DESCRIPTION</i>	<i>QTY</i>
01	1771084	Evaporator, EZ-9 ACT Rear Mount	1				
NS	1771894	Kit, Install Less Fittings	1				

**TOP VIEW**

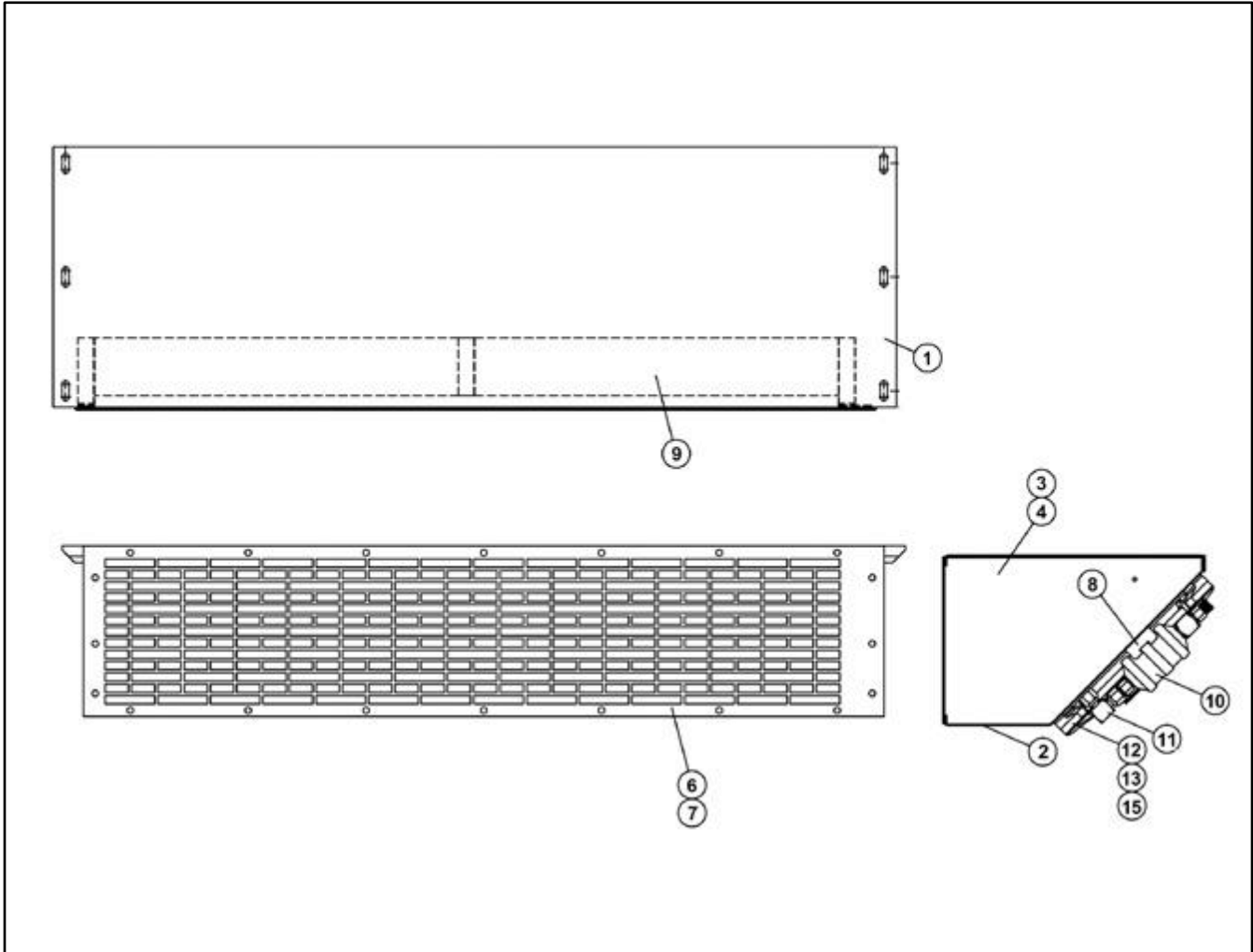


**FRONT VIEW**



**EVAPORATOR - EZ-3 SIDE MOUNT**  
**0420103 / 1771305**

<i>ITEMPART NO.</i>	<i>DESCRIPTION</i>	<i>ITEMPART NO.</i>	<i>DESCRIPTION</i>
01	1771305 Evaporator, EZ-3 Side Mount ACT	1	
NS	1771553 Kit, Installation ACT 110K BTU	1	
NS	1770947 Hose, #12 Refrig. EZ-Clip	30	
NS	1771557 Hose, #16 Refrig. Ez-Clip	30	

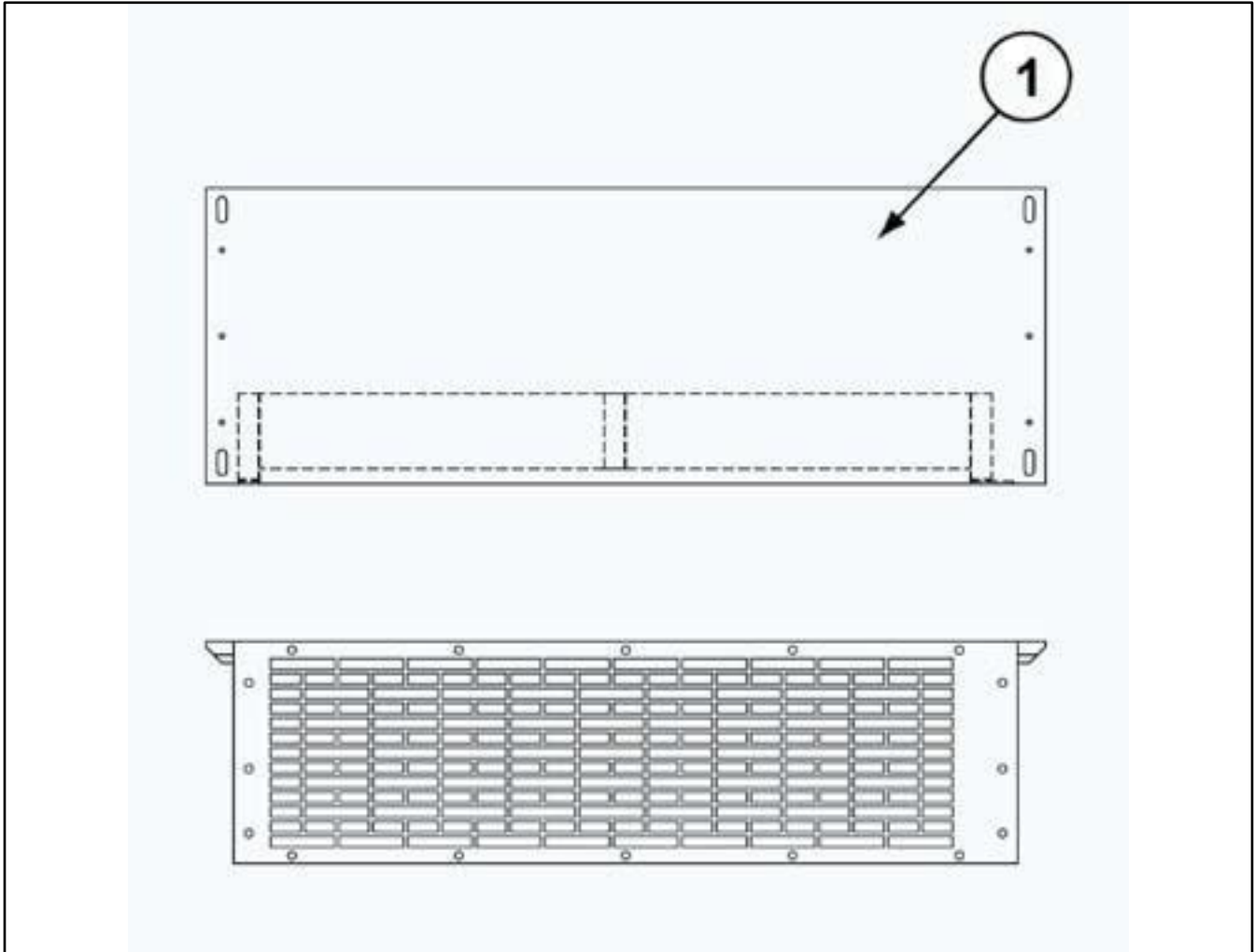


## act condenser cs-3

### 0420253 / 1770966

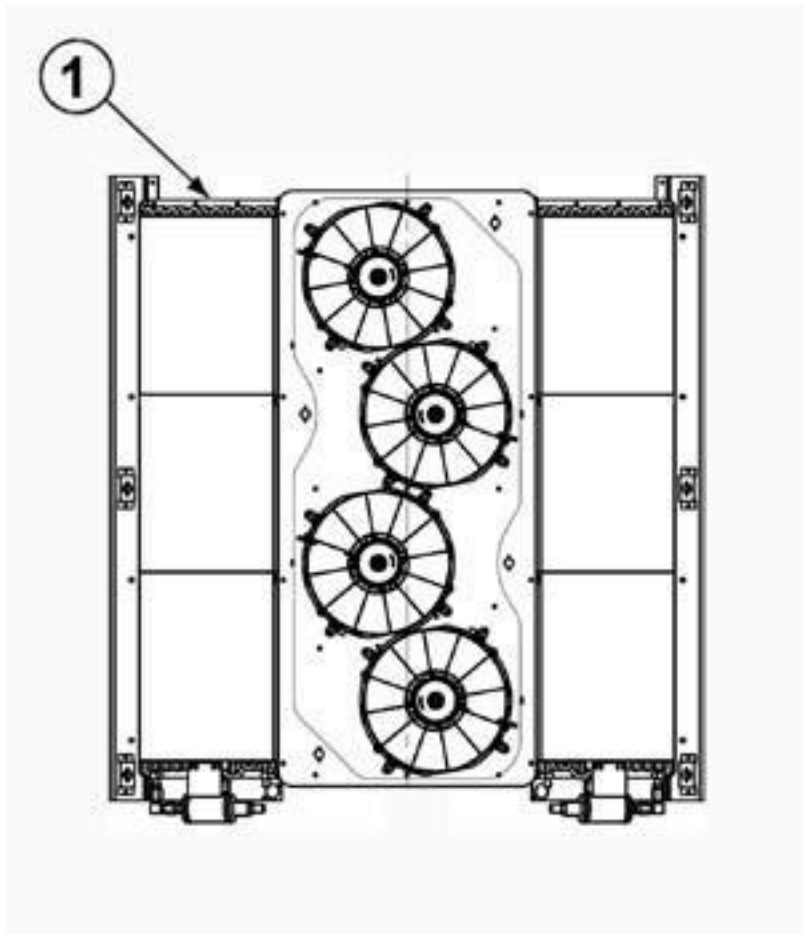
ITEM	PART NO.	DESCRIPTION	QTY	ITEM	PART NO.	DESCRIPTION	QTY
00	1770966	Condenser, CS-3 ACT	1	13	NA	Fuse, Type MDL, 20 AMPS, 32 Volts	3
01	NA	Top Plate	1	14	NA	Wiring Harness, CS-3 Cond. (Not Shown)	1
02	NA	Fan Deck Plate	1	15	NA	Bushing, Strain Relief, 18-16 GA 2-3 Cond	3
03	NA	End Plate, Right Hand	1	NS	NA	Pressure Switch, High, 300-200 PSI	1
04	NA	End Plate, Left Hand	1	NS	NA	Pressure Switch, Low, 30-10 PSI	1
05	NA	Baffle Plate (Not Shown)	2	NS	NA	Valve, Refrigerant Drier Shut Off, Outlet	1
06	NA	Grill, 3 Fan Condenser	1	NS	NA	Valve, Refrigerant Drier Shut Off, Inlet	1
07	NA	Grill, Condenser Mount, CX-3 Cond, Black	1	NS	1771117	Guard, Winter Kit CS-3	1
08	NA	Bracket, Filter Dryer	1				
9	NA	Coil Assembly, CS-3 Cond.	1	<b>NOTE: NA = Call your Parts Representative for Part Number information.</b>			
10	NA	Filter Drier, 16 CU. IN., 1/2 MO W/Sight Glass	1				
11	NA	Fitting, 90° Swivel 1/2" For x 1/2"	1				
12	NA	Fan Assembly, Cond External/Pull 12" 12V	3				





**act condenser cs-2 w/grille**  
**0420253 / 1771085**

<u>ITEM</u>	<u>PART NO.</u>	<u>DESCRIPTION</u>	<u>QTY</u>	<u>ITEM</u>	<u>PART NO.</u>	<u>DESCRIPTION</u>	<u>QTY</u>
01	1771085	Condenser, CS-2 ACT W/Grille	1				



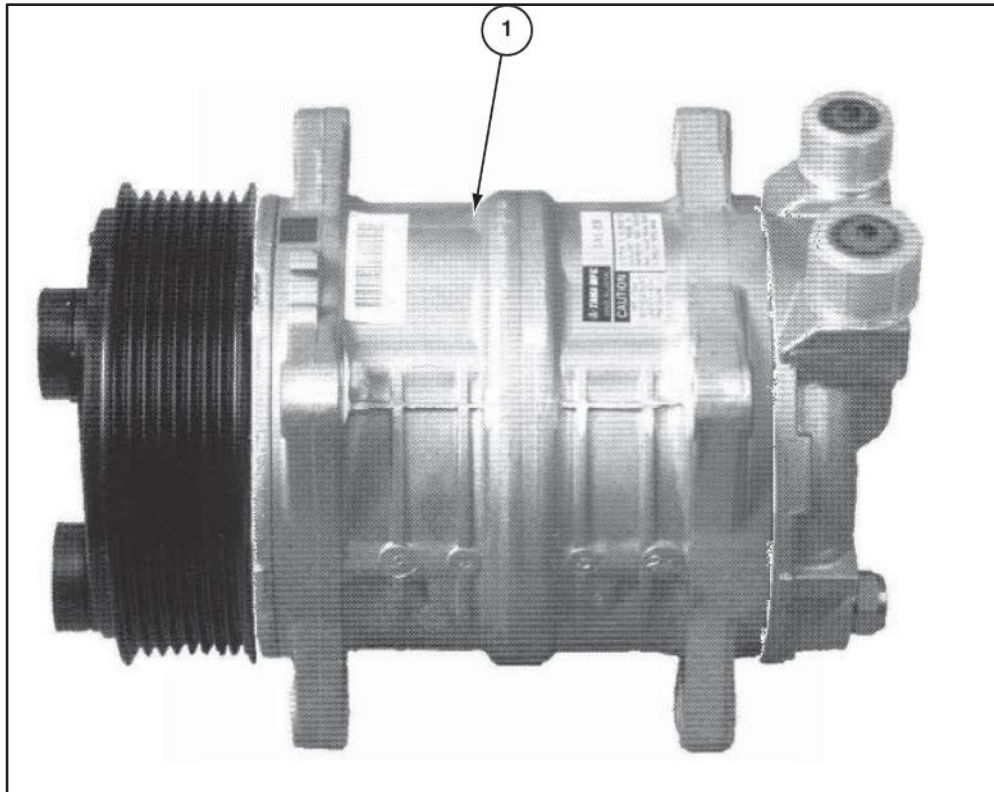
**act cr-4 rooftop condenser**  
**0420443 / 1771893**

<i>ITEM</i>	<i>PART NO.</i>	<i>DESCRIPTION</i>	<i>QTY</i>	<i>ITEM</i>	<i>PART NO.</i>	<i>DESCRIPTION</i>	<i>QTY</i>
01	1771893	Condenser, CR4 Rooftop	1				



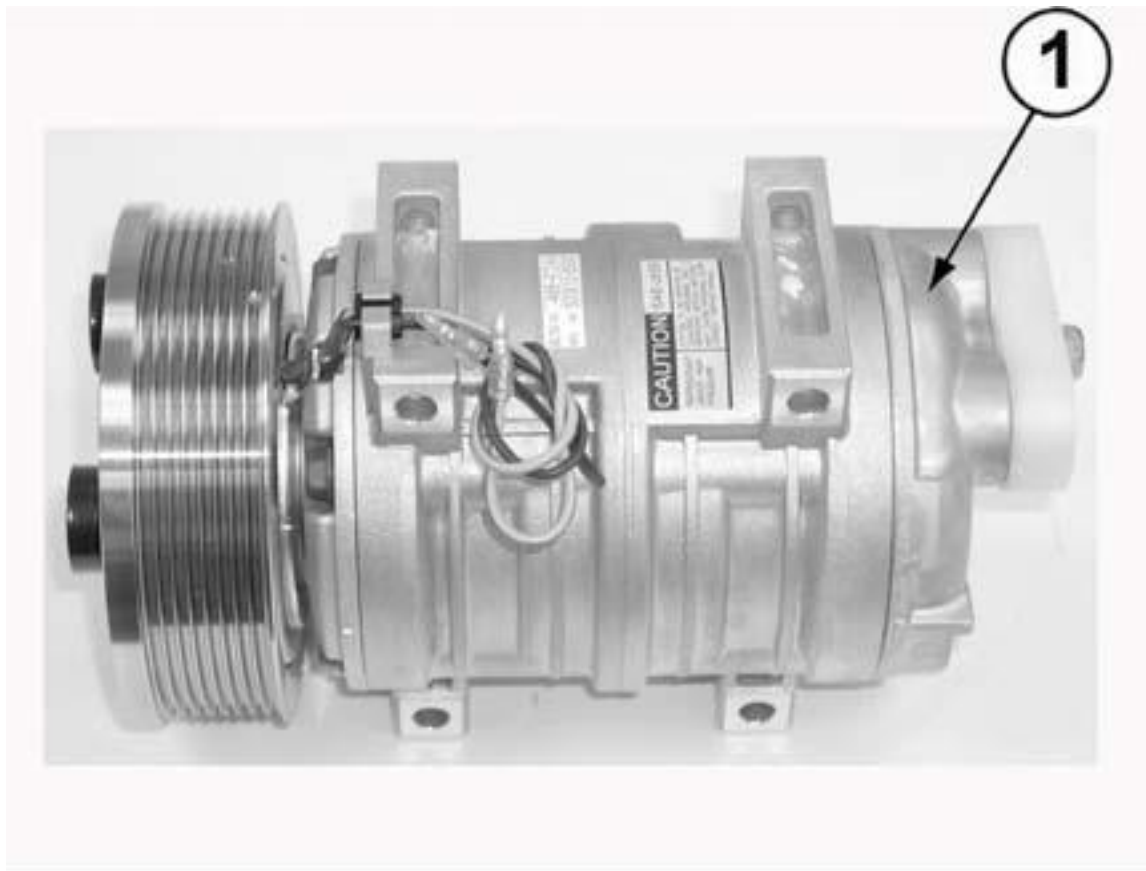
**tm-16 compressor**  
**1771506 / m2 defender**

<i>ITEM</i>	<i>PART NO.</i>	<i>DESCRIPTION</i>	<i>QTY</i>	<i>ITEM</i>	<i>PART NO.</i>	<i>DESCRIPTION</i>	<i>QTY</i>
01	1771506	Compressor, TM-16 ACT Pad Poly	2				
NS	1771706	Mount, EPA Emissions Rooftop A/C	1				
NS	2971114	Hose, 10mm #8 AOC ATCO 500' Reel	60				
NS	2971115	Hose, 13mm #10 AOC 300' Reel (ATCO)	40				
NS	2971116	Hose, 16mm #12 AOC 250' Reel (ATCO)	60				



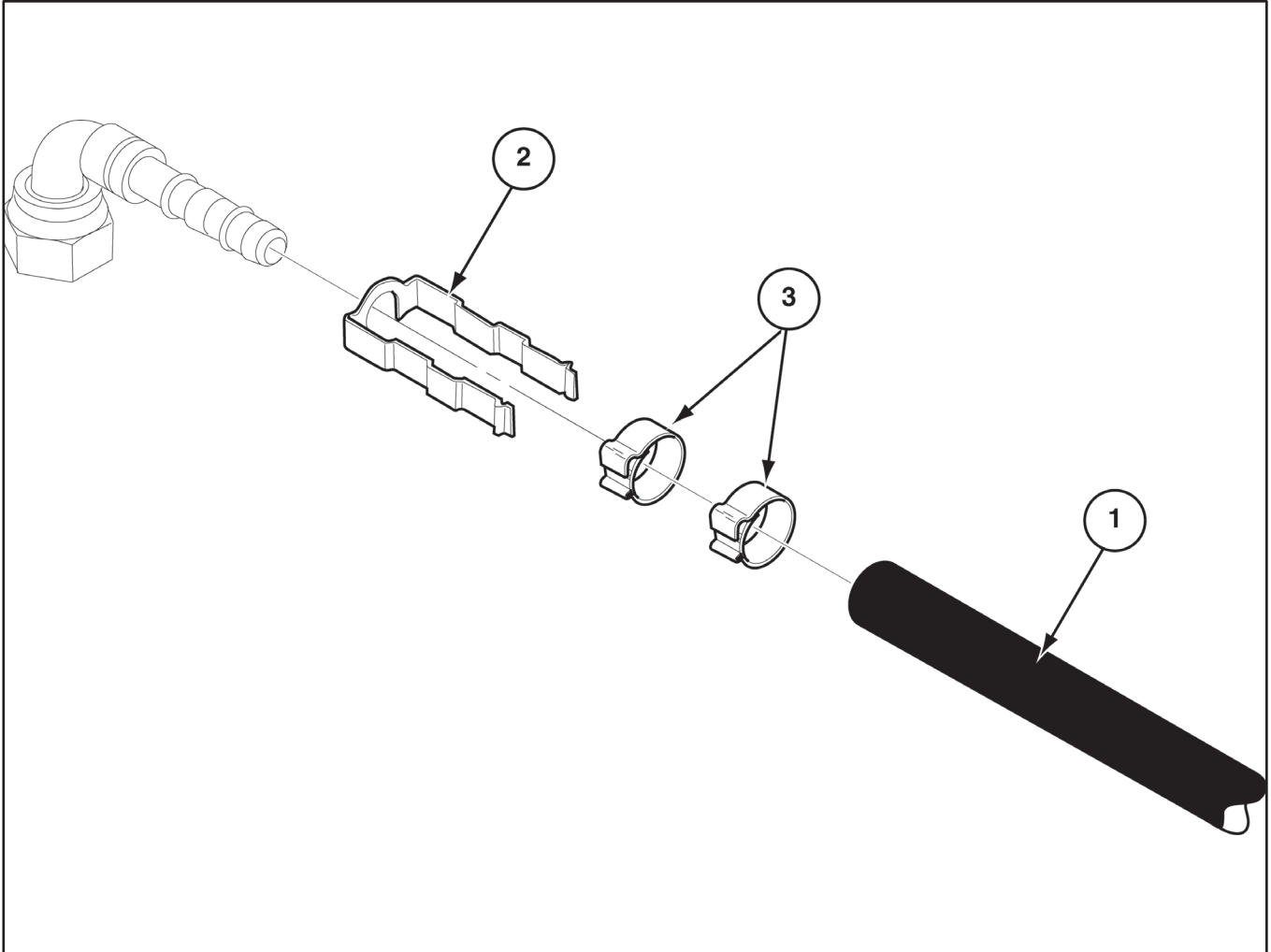
## A/c compressor, Act system 1770944

<i>ITEM PART NO. DESCRIPTION</i>	<i>QTY</i>	<i>ITEM PART NO. DESCRIPTION</i>	<i>QTY</i>
01 1770944 Compressor, 400-003 ACT	1		
NS 1771271 Mount, Compressor GM610 6.6L	1		
NS 1771545 Kit, A/C 52K ACT W/O Board	1		
NS 1770943 Kit, Comp Ftg ADJ TM16 W/EZ Clip	1		
<b>NS 0417324 Harness, Carrier Single</b>	<b>1</b>		
3974657 Panel, A/C 104	1		
3974622 Harness, Evaporator Pigtail	1		
3940905 Block, Terminal Single Pole	1		



## Compressor, tm-21 0 1771555

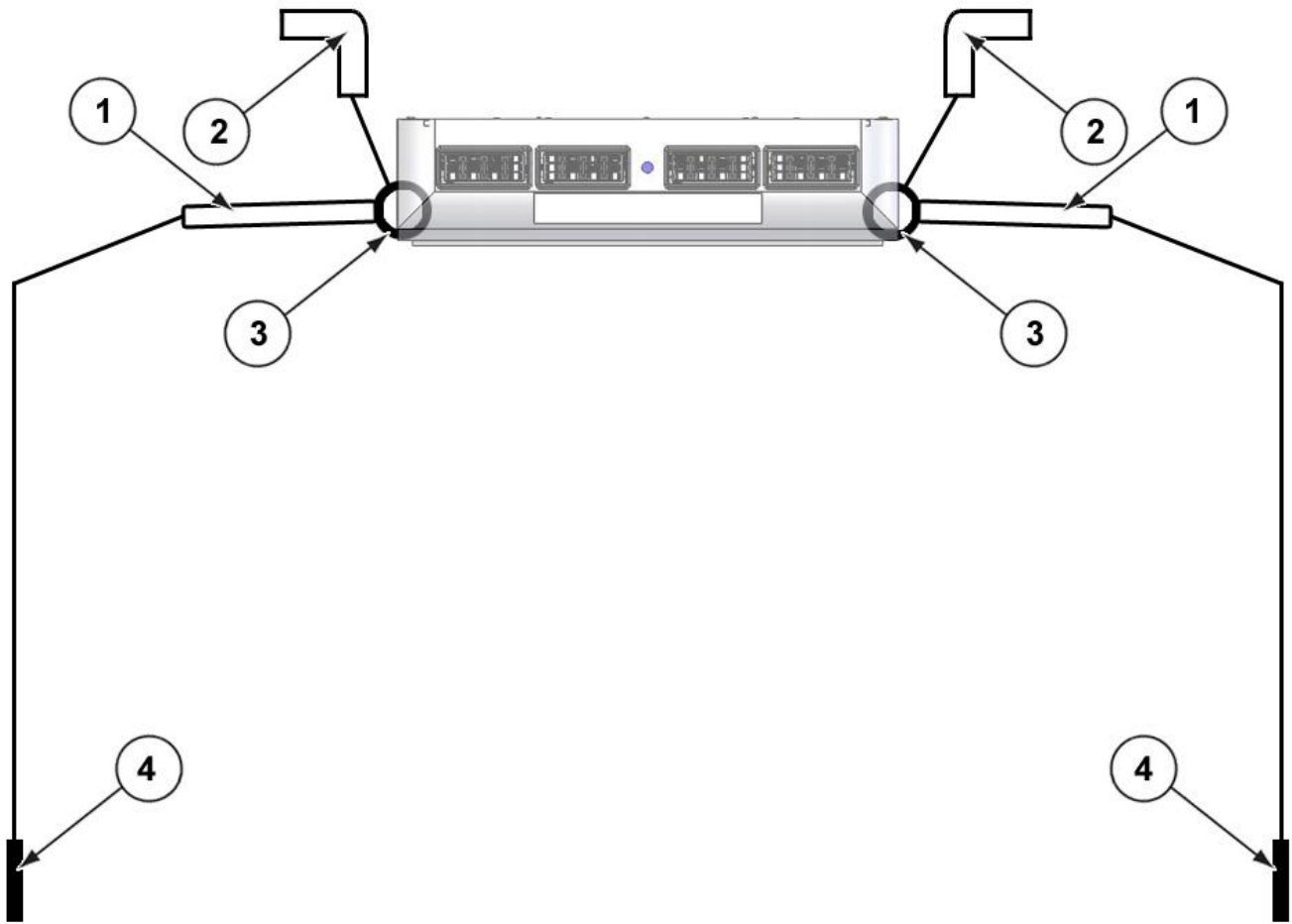
ITEM	PART NO.	DESCRIPTION	QTY	ITEM	PART NO.	DESCRIPTION	QTY
01	1771555	COMPRESSOR, TM-21 PAD POLY	2				
NS	1771706	MOUNT, Comp 2010 Emmis M2 6.7L Dual	1				
NS	1771554	KIT, Compressor Fitting ACT	1				
NS	1771553	KIT, INSTALLATION ACT 110K BTU	1				
NS	1770947	HOSE, #12 Refrig. EZ-Clip x 367	40				
NS	1770946	HOSE, #10 Refrig. EZ-Clip x 550	40				
NS	1770945	HOSE, #8 Refrig. EZ-Clip x 575'	40				



## A/C HOSE & FITTINGS (ACT)

### 0413335P-DOT, 0418479P-DOT

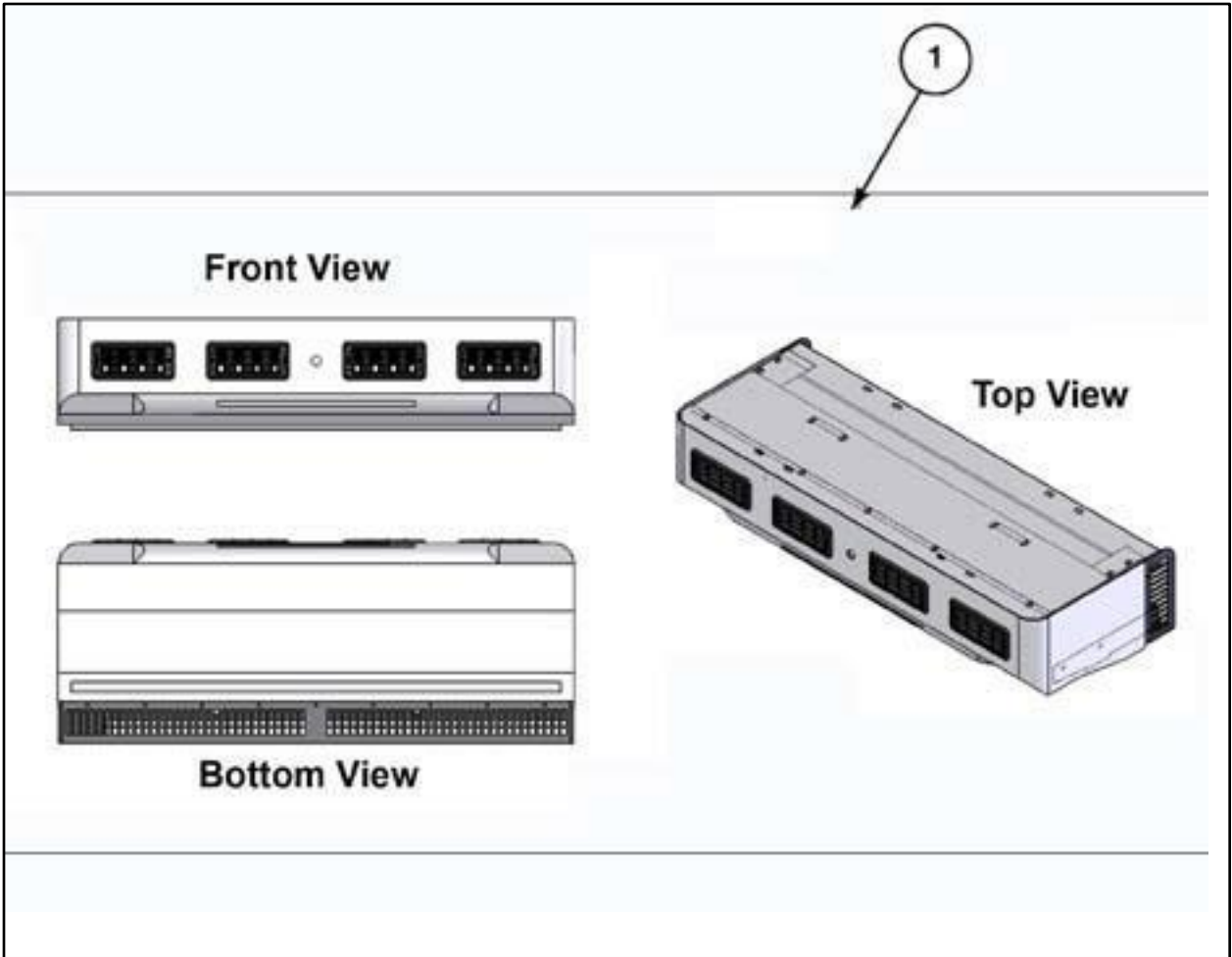
<i>ITEM PART NO. DESCRIPTION</i>	<i>QTY</i>	<i>ITEM PART NO. DESCRIPTION</i>	<i>QTY</i>
01 1770945 HOSE, #8 (EZ-CLIP)	A/R		
1770946 HOSE, #10 (EZ-CLIP)	A/R		
1770947 HOSE, #12 (EZ-CLIP)	A/R		
02 1771095 CAGE, FITTING (#8)	2		
1771096 CAGE, FITTING (#12)	2		
03 1771097 CLIP, FITTING (#8)	4		
1771098 CLIP, FITTING (#12)	4		



## A/C DrAin lines

0412801 / 0402955

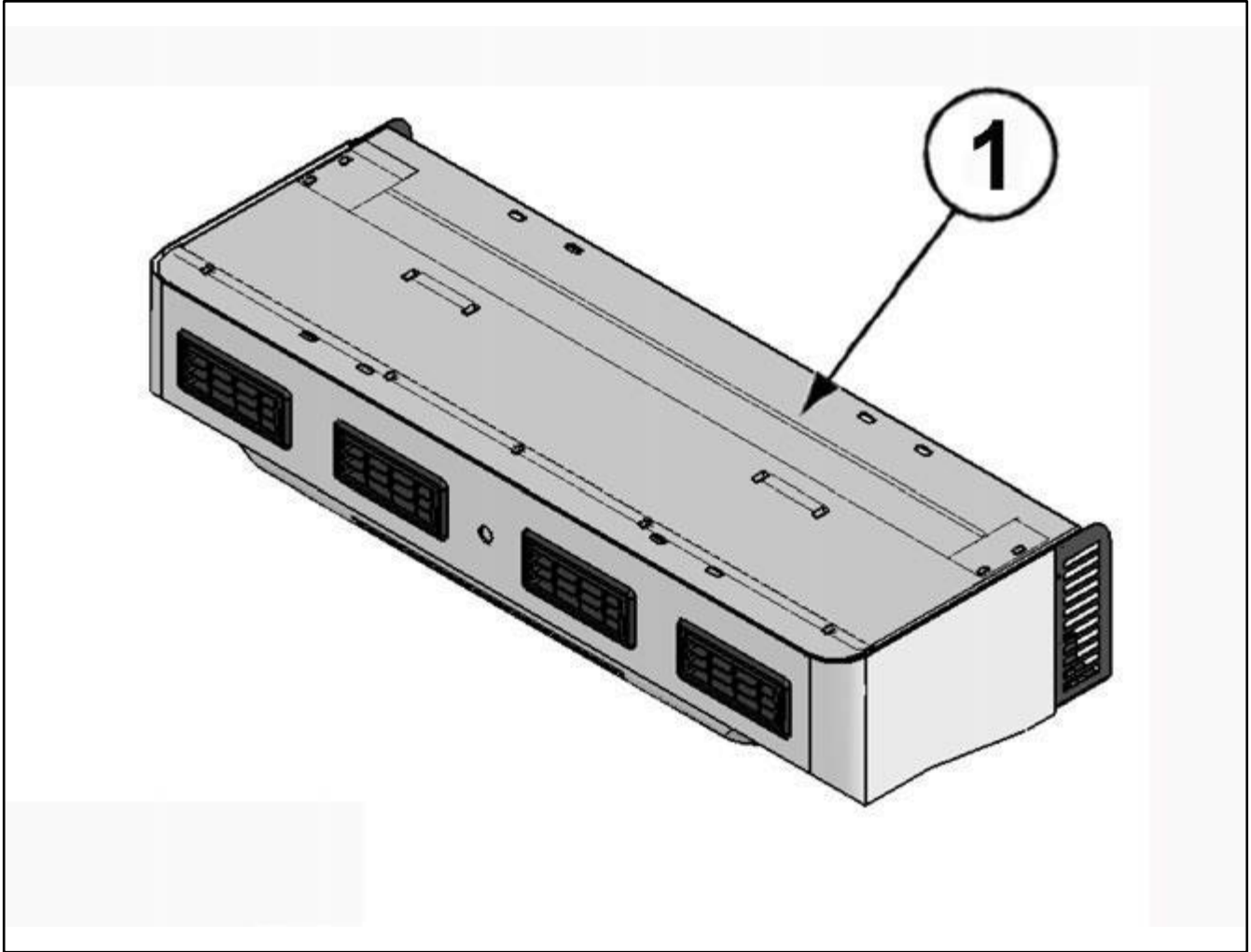
<u>ITEM PART NO.</u>	<u>DESCRIPTION</u>	<u>QTY</u>	<u>ITEM PART NO.</u>	<u>DESCRIPTION</u>	<u>QTY</u>
01	1770478 Hose, Drain 1/2" Clear	A/R			
02	2970226 Elbow, Drain Hose	2			
03	3973928 Grommet, Rubber .50"	2			
04	1770715 Valve, Kazoo 5/8	2			



## Evaporator, acc systEm 1771444

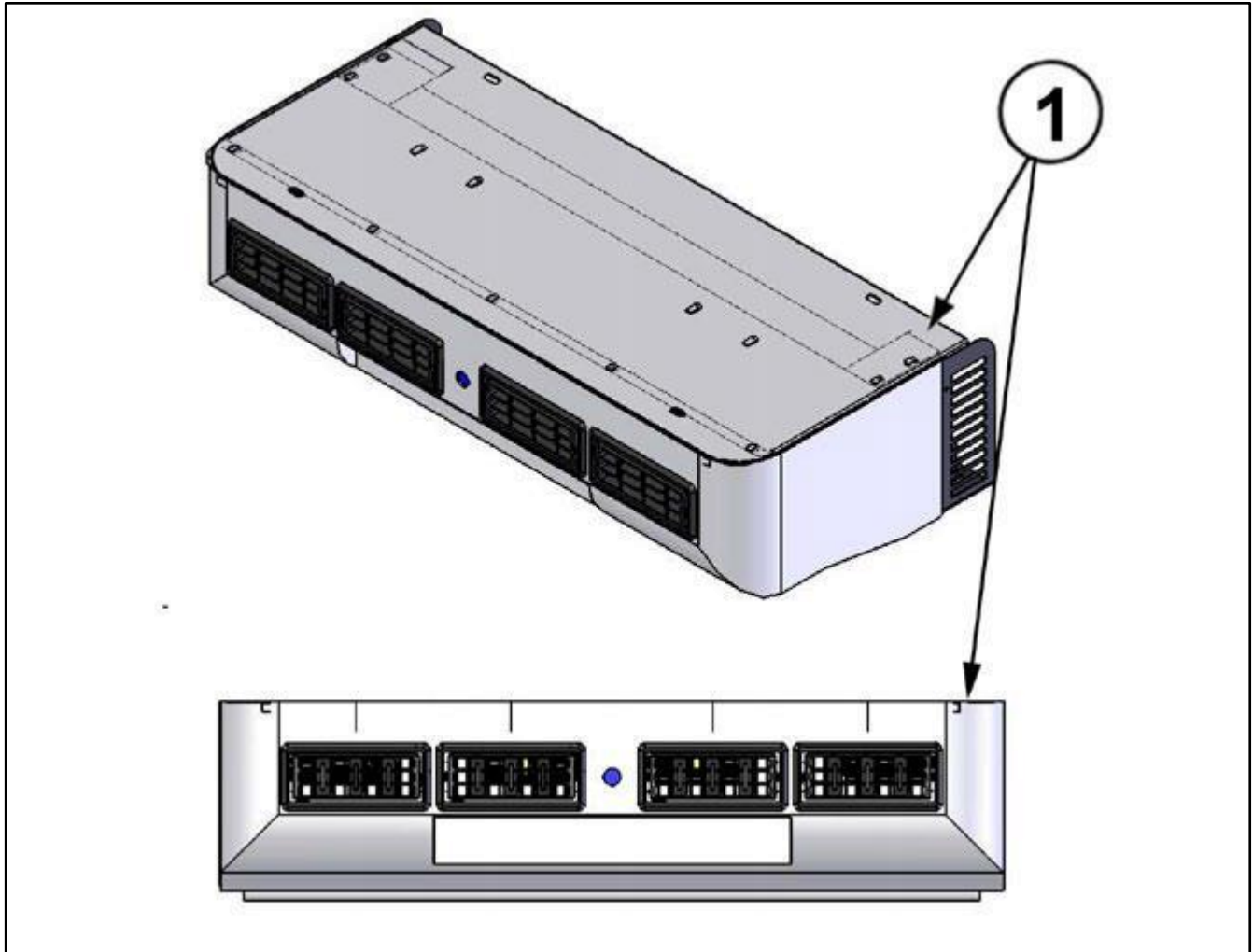
<i>ITEM PART NO. DESCRIPTION</i>	<i>QTY</i>	<i>ITEM PART NO. DESCRIPTION</i>	<i>QTY</i>
01 1771444 Evaporator, ACC Dual Blow	1		
NS 0342782 Bracket, A/C 303-117	1		





**evaporator, fr67 w/kit**  
**0419247 / 1771741**

<i>ITEM PART NO. DESCRIPTION</i>	<i>QTY</i>	<i>ITEM PART NO. DESCRIPTION</i>	<i>QTY</i>
01 1771741 Evaporator, FR67 W/Kit	1		
NS 1771410 Kit, Installation ACC Evaporator	1		
NS 1771269 Breaker, Circuit 60 AMP	1		



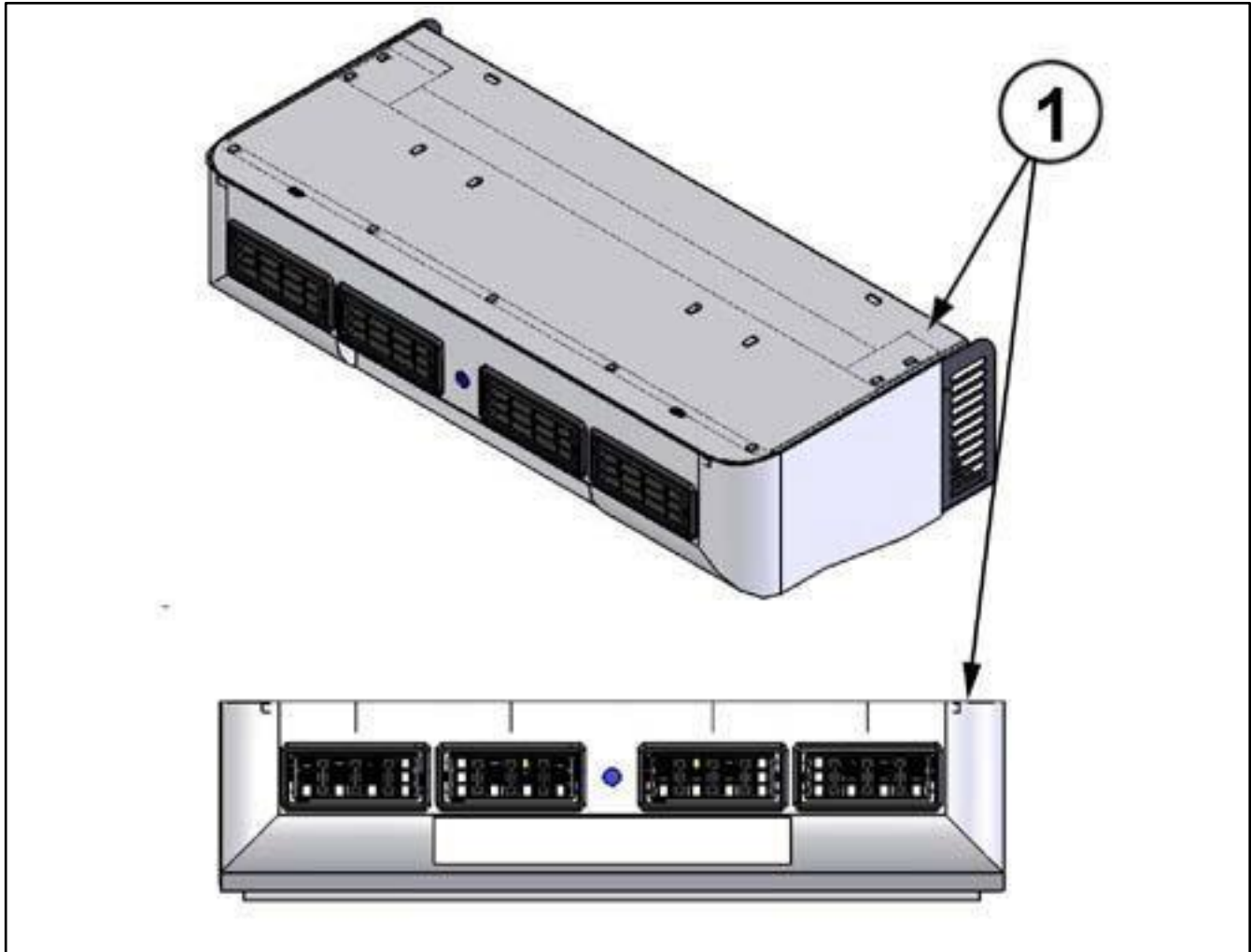
**front acc evaporator  
1771716**

<i>ITEM PART NO. DESCRIPTION</i>	<i>QTY</i>	<i>ITEM PART NO. DESCRIPTION</i>	<i>QTY</i>
01 1771716 Evaporator, Front FR53 W/Kit	1		
NS 1771410 Kit, Installation ACC Evaporator	1		
NS 1771 Breaker, Circuit 60 AMP 0DQXDO 5HVHW	1		



**acc small evaporator  
1771994**

<i>ITEM PART NO. DESCRIPTION</i>	<i>QTY</i>	<i>ITEM PART NO. DESCRIPTION</i>	<i>QTY</i>
01 1771994 Evaporator, Small In-Wall W/Cover	1		
NS 0342782 Bracket, A/C 303-117	2		
NS 1771447 Kit, Accumulator ACC	2		
NS 0379741 Bracket, ACC Acumulator	2		



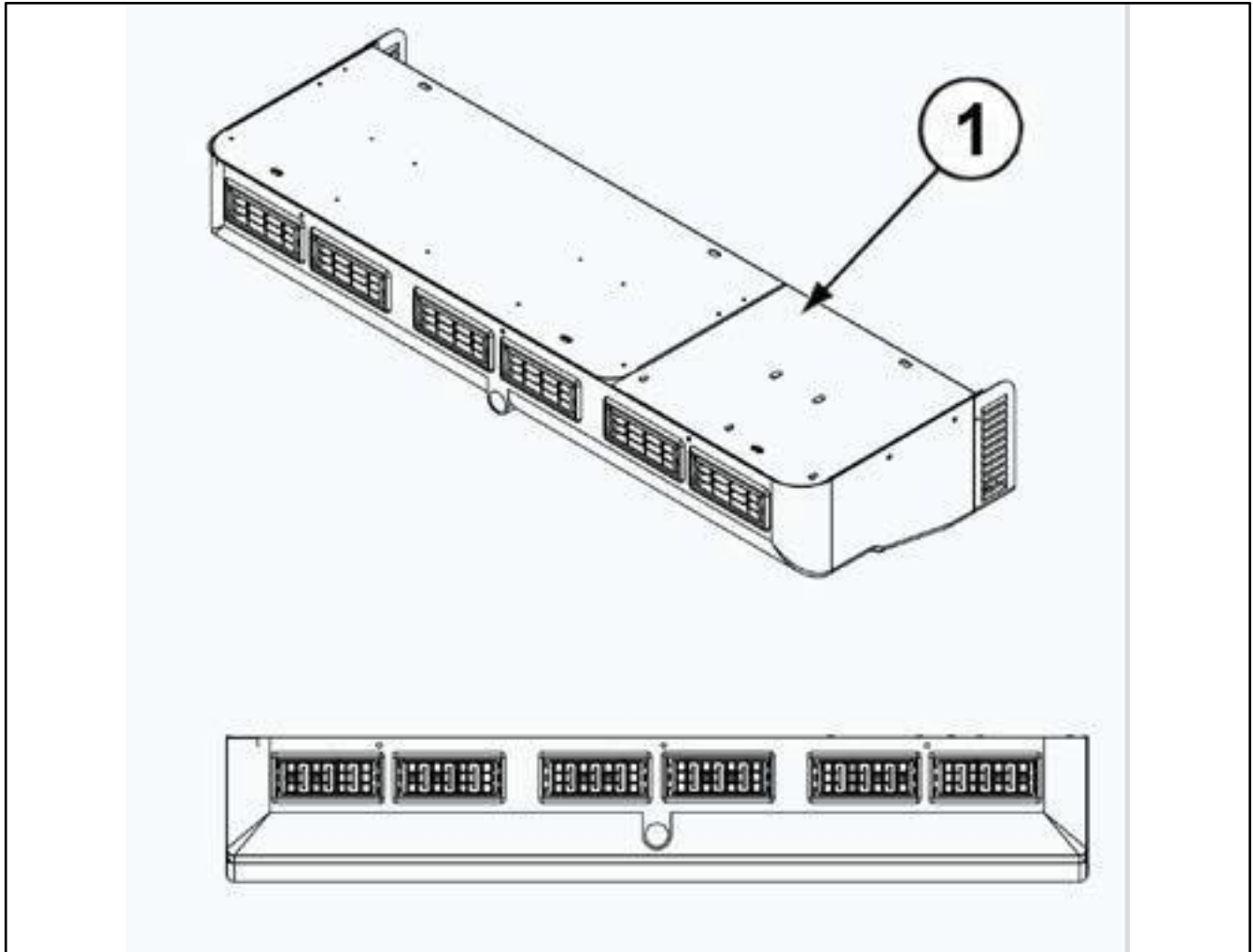
**front acc evaporator  
1771993**

<u>ITEM</u>	<u>PART NO.</u>	<u>DESCRIPTION</u>	<u>QTY</u>	<u>ITEM</u>	<u>PART NO.</u>	<u>DESCRIPTION</u>	<u>QTY</u>
01	1771993	Evaporator, Front FR53 W/Heat & Kit	1				
NS	1771410	Kit, Installation ACC Evaporator					
	1						
NS	1771899	Kit, Install HT Stand Alone W/Htr	1				
NS	1771828	Insulation, Sleeve Foil 250' Roll	.1				
NS	1771885	Breaker, Circuit 60 AMP Manual Reset	1				
NS	0171060	Hose, Transfer Discharge Sleeve Blue	.3				



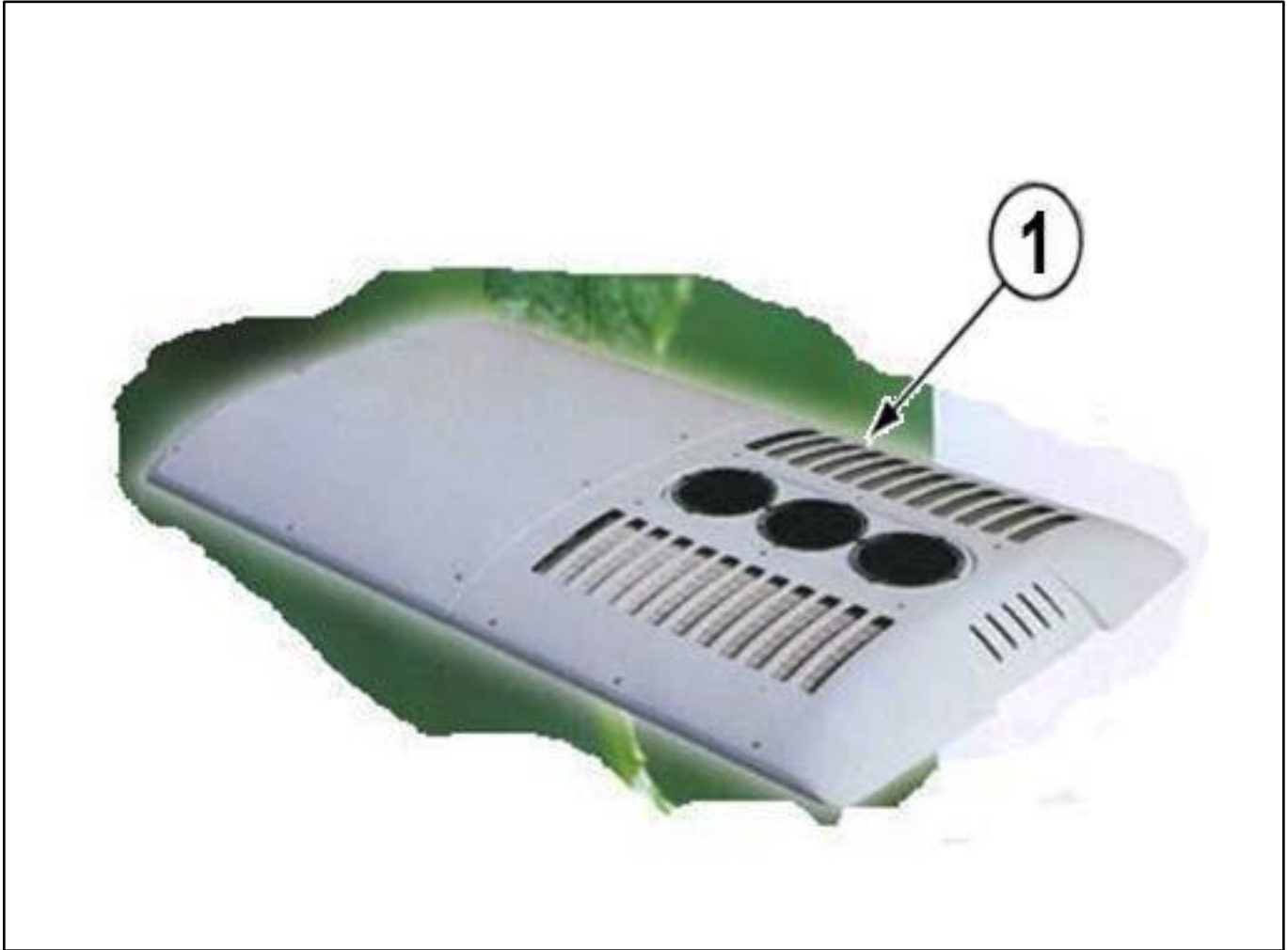
**evaporator - fr86 w/cover**  
**1771738**

<i>ITEM</i>	<i>PART NO.</i>	<i>DESCRIPTION</i>	<i>QTY</i>	<i>ITEM</i>	<i>PART NO.</i>	<i>DESCRIPTION</i>	<i>QTY</i>
01	1771738	Evaporator, FR86 W/Cover	1				
NS	1771722	Kit, Rear Evap. 3 Speed T-Stat	1				
NS	1771677	Kit, Install Triple Blower	1				



**Evaporator, triple Blow Fr96 gray  
1771699**

<u>ITEM</u>	<u>PART NO.</u>	<u>DESCRIPTION</u>	<u>QTY</u>	<u>ITEM</u>	<u>PART NO.</u>	<u>DESCRIPTION</u>	<u>QTY</u>
01	1771699	Evaporator, Triple Blow CML FR96 GR	1				
NS	1771410	Kit, Installation ACC Evaporator	1				
NS	1771169F	Kit, Installation ACC 55K BTU System	1				
NS	1771668	Kit, Digital Control ACC	1				
NS	1771669	Kit, Dual Relay Board ACC	1				
NS	1771670	Kit, Single Relay Board ACC	1				



**acc rooftop 155K btu a/c (2)tc-70  
0421774**

<i>ITEM</i>	<i>PART NO.</i>	<i>DESCRIPTION</i>	<i>QTY</i>	<i>ITEM</i>	<i>PART NO.</i>	<i>DESCRIPTION</i>	<i>QTY</i>
		<b>0421774 Install, A/C 155K BTU TC-70 Rooftop</b>					
01	1771929	Air, TC-70 Rooftop ACC	1	1771725	Switch, Pressure 41-010 SWH		1
	1771616	Compressor, ACC TM21 Pad Poly	2	1771726	Switch, Pressure Low Pressure , M12		1
	1771706	Mount, '10 Emissions M2 6.7L Dual	1	2971114	Hose, 10mm #8 AOC Atco 500'		80
	1771410	Kit, Installation ACC Evaporator	1	2971115	Hose, 13mm #10 ACC 300' Reel		40
	1771721	Kit, Front Evap Switch Assy 3-Speed	1	2971116	Hose, 16mm #12 AOC 259'		80
	1771447	Kit, Accumulator ACC	1	1771895	Cable, Red Power - Non Apad		60
	1771483	Kit, Wiring W/Switch &T-Stat ACC	1				
	0379741	Bracket, ACC Accumulator	1	<b>0420885 Install, Plumbing Rooftop Air Conduit</b>			
	0342782	Bracket, A/C 303-117	2	2971305	Fitting, CPVC 3/4" 90 Deg x 1/2"		4
	1771685	Harness, Condenser	73	2971192	Pipe, CPVC 3/4" x 120"		5
	3975360	Harness, 35' Champion CTRL IN	1	2971197	Fitting, Tee 3/4" x 3/4" x 1/2 CPVC		4
	3975359	Harness, Champion Relay In W/Pak	1	2971198	Pipe, CPVC 1/2" x 120"		AR
	1771828	Insulation, Sleeve Foil 250' Roll	AR				
	1771885	Breaker, Circuit 60 AMP Manual Reset	2				

**TNO IMAGE AVAILABLE AT THIS TIME**

**ACC ROOFTOP CONDENSER  
1772121**

<u>ITEM</u>	<u>PART NO.</u>	<u>DESCRIPTION</u>	<u>QTY</u>	<u>ITEM</u>	<u>PART NO.</u>	<u>DESCRIPTION</u>	<u>QTY</u>
01	1772121	Condenser, Rooftop ACC	1				
NS	1771447	Kit, Accumulator ACC	1				
NS	0379741	Bracket, ACC Accumulator	1				
NS	1771725	Switch, Pressure SWH	1				
NS	1771726	Switch, Pressure Lo Pr, M12	1				





**acc condenser - roof Top dl loop**  
**0419749 / 1771804**

<i>ITEM</i>	<i>PART NO.</i>	<i>DESCRIPTION</i>	<i>QTY</i>	<i>ITEM</i>	<i>PART NO.</i>	<i>DESCRIPTION</i>	<i>QTY</i>
01	1771804	Condenser, Roof Top DL Loop BBD Cvr 1					



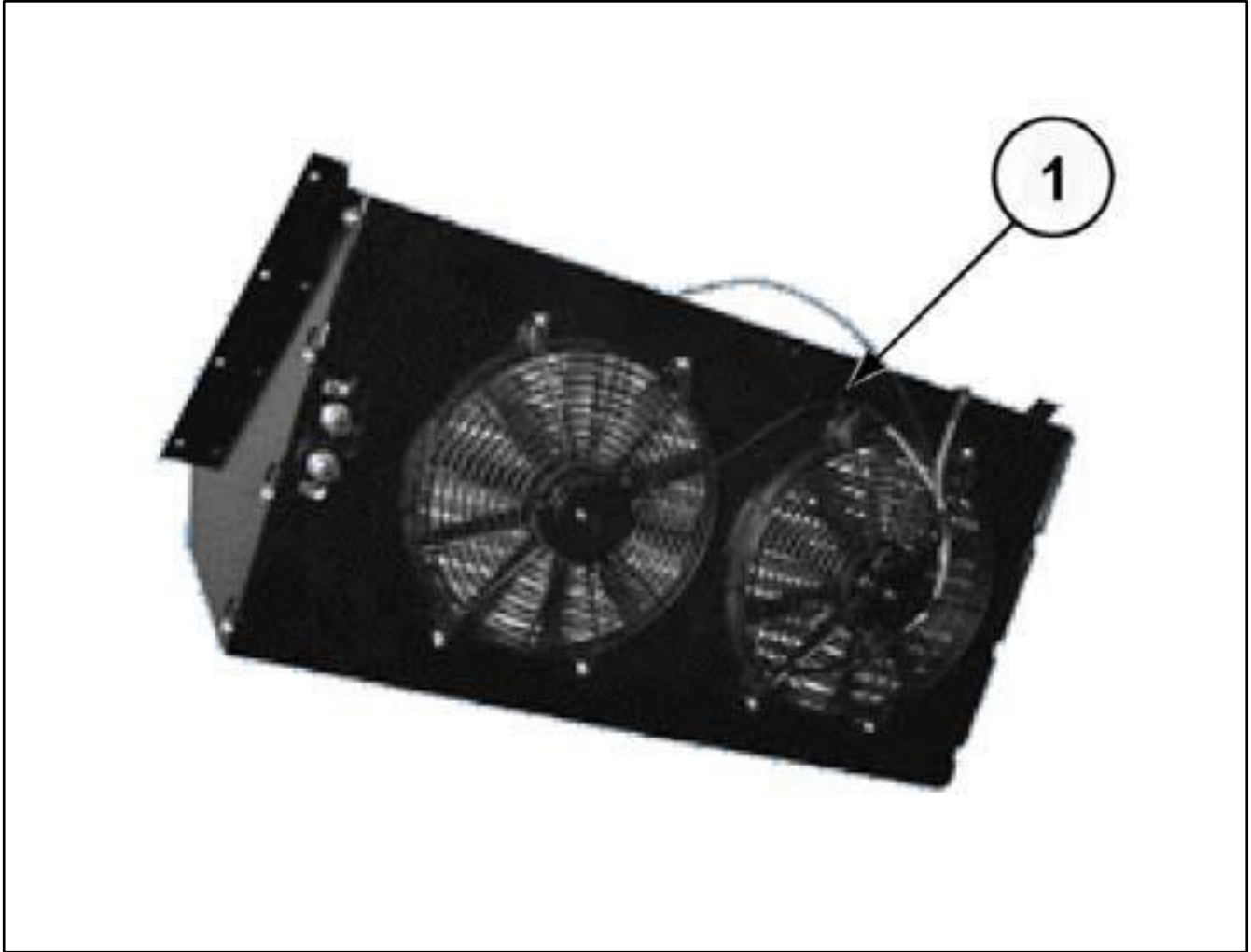
**ACC CONDENSER, 2-FAN  
1771962**

<i>ITEM PART NO.</i>	<i>DESCRIPTION</i>	<i>QTY</i>	<i>ITEM PART NO.</i>	<i>DESCRIPTION</i>	<i>QTY</i>
01 1771962	Condenser, PF 2-Fan W/Pack 8½ x 42	1			



**condenser - 3-row bkts & grill**  
**0420254 / 1771739**

<i>ITEM</i>	<i>PART NO.</i>	<i>DESCRIPTION</i>	<i>QTY</i>	<i>ITEM</i>	<i>PART NO.</i>	<i>DESCRIPTION</i>	<i>QTY</i>
01	1771739	Condenser, 3-Row Bkts. & Grill	1				
NS	1771677	Kit, Install Triple Blower	1				
NS	3975385	Sensor, TPS (Ford 6.8L W/Add-on Cm	1				
NS	1771685	Harness, Condenser					



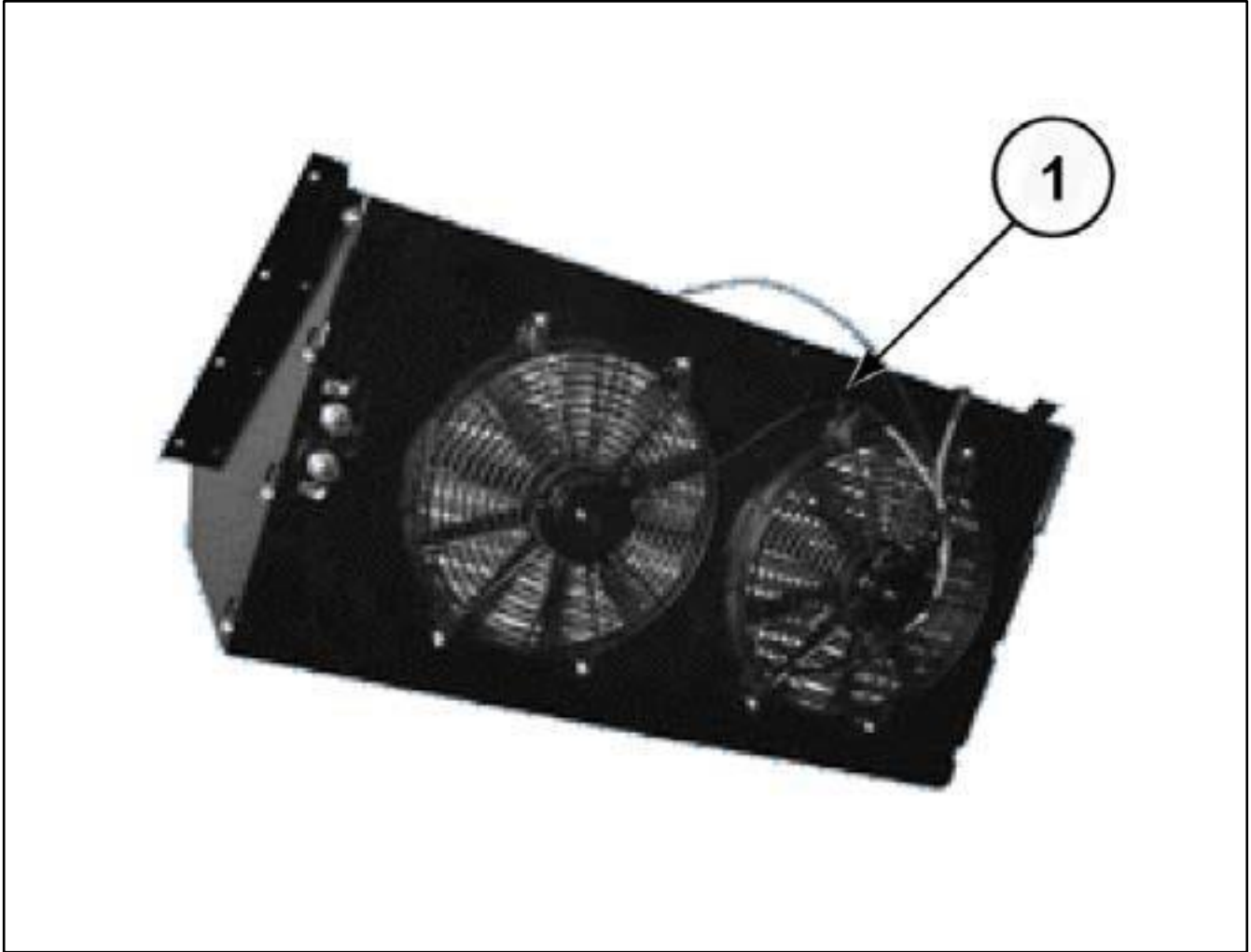
**condenser, skirt mounted 78k  
1771676**

<i>ITEM PART NO. DESCRIPTION</i>	<i>QTY</i>	<i>ITEM PART NO. DESCRIPTION</i>	<i>QTY</i>
01 1771676 Condenser, 78K Skirt Mount	1		
NS 1771685 Harness, Condenser	1		
NS 1771701 Condenser, 6MM Sngl Fan Rev. Bkts	1		



**acc condenser**  
**1771560**

<i>ITEM PART NO. DESCRIPTION</i>	<i>QTY</i>	<i>ITEM PART NO. DESCRIPTION</i>	<i>QTY</i>
01 1771560 Condenser, ACC	1		



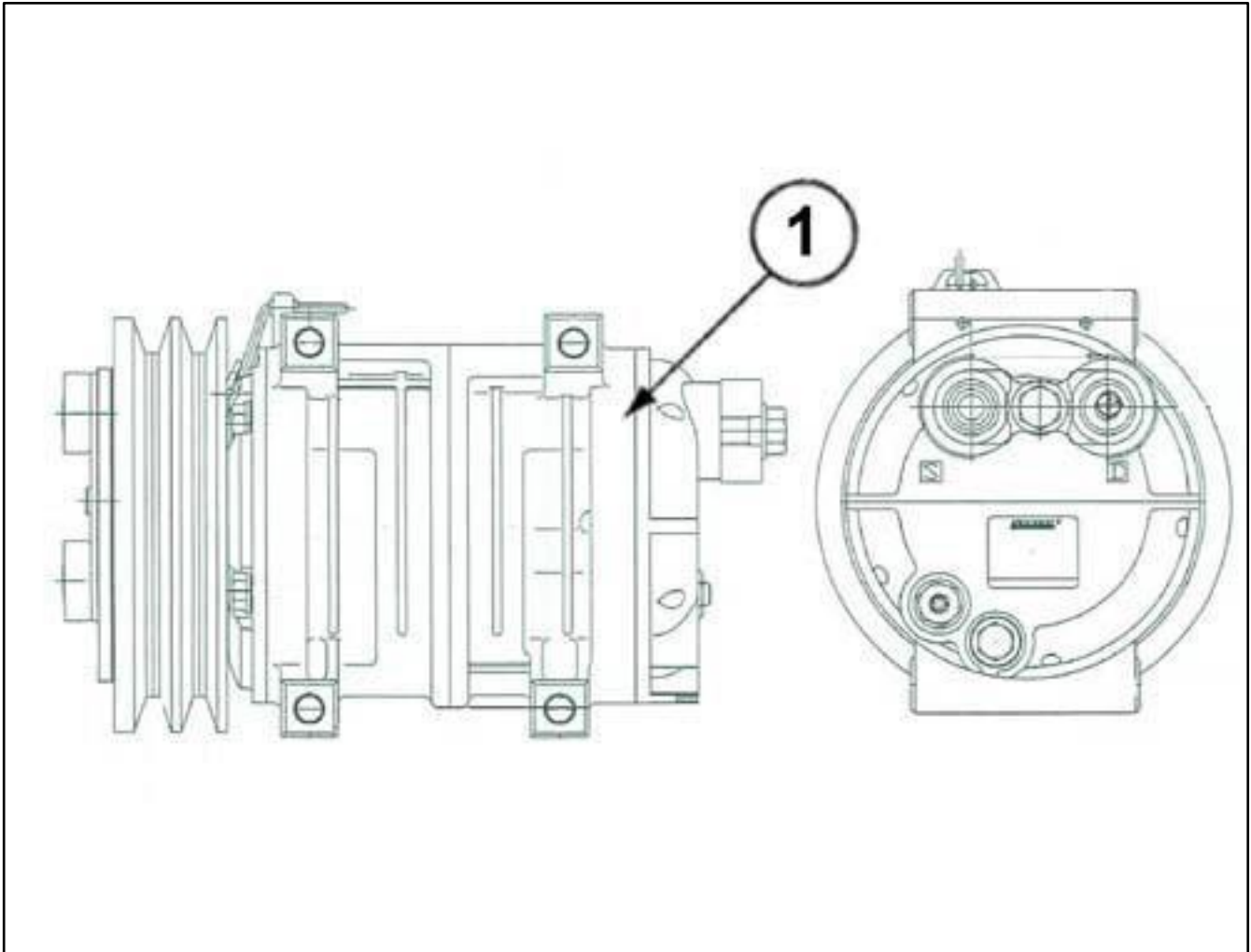
**acc condenser, 2-fan skirt mounted  
1772009**

<i>ITEM</i>	<i>PART NO.</i>	<i>DESCRIPTION</i>	<i>QTY</i>	<i>ITEM</i>	<i>PART NO.</i>	<i>DESCRIPTION</i>	<i>QTY</i>
01	1772009	Condenser, Skirt ACC 2 Fan 25065	1				
NS	1771685	Harness, Condenser	1				



**compressor, tm-16 (pv8) no port  
0420375 / 1771724**

<i>ITEM</i>	<i>PART NO.</i>	<i>DESCRIPTION</i>	<i>QTY</i>	<i>ITEM</i>	<i>PART NO.</i>	<i>DESCRIPTION</i>	<i>QTY</i>
01	1771724	Compressor, TM16 120mm PV8 DM	2				
NS	1771472	Mount, Comp MXF-7 2007EPA (2)	2				



**compressor - tm21 (6.6L dual alt)**  
**0420993 / 1771616**

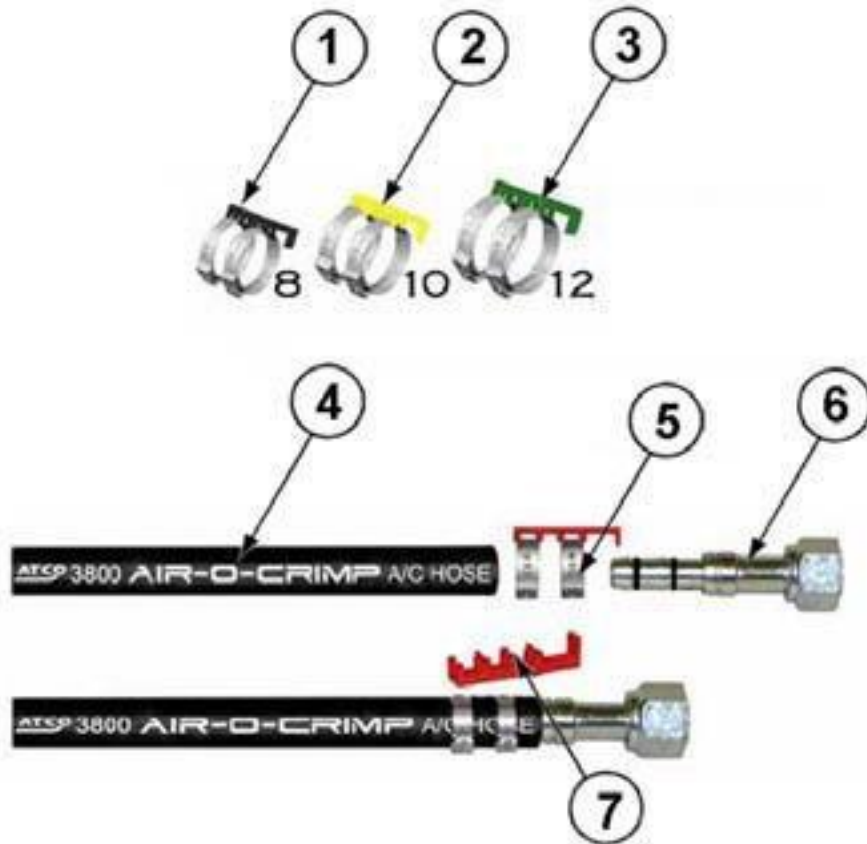
<i>ITEM PART NO. DESCRIPTION</i>	<i>QTY</i>	<i>ITEM PART NO. DESCRIPTION</i>	<i>QTY</i>
01 1771616 Compressor, ACC TM21 PAD Poly	1		
NS 1771850 Mount, 2011 GM610 6.6L, DSL Dual Alt	1		





**compressor, tm-16 (pv8) no port (m2)  
1771724**

<i>ITEM</i>	<i>PART NO.</i>	<i>DESCRIPTION</i>	<i>QTY</i>	<i>ITEM</i>	<i>PART NO.</i>	<i>DESCRIPTION</i>	<i>QTY</i>
01	1771724	Compressor, TM16 120mm PV8 DM	2				
NS	1771706	Mount, 2010 Emissions M2 6.7L Dual	1				



## a/c hoses & fittings acc system all assemblies

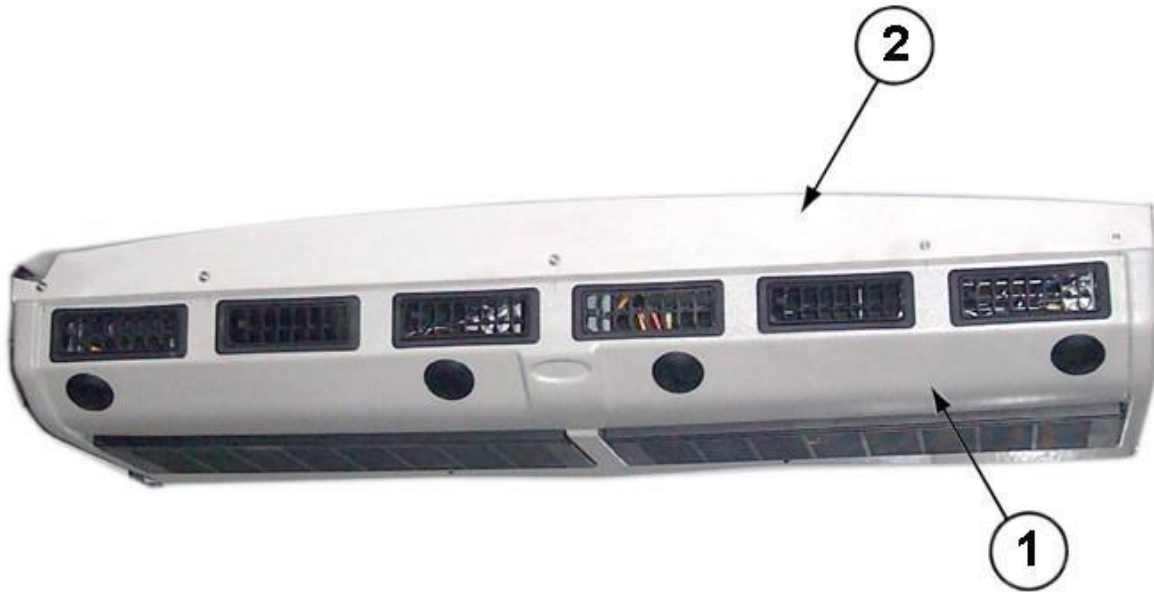
<i>ITEM</i>	<i>PART NO.</i>	<i>DESCRIPTION</i>	<i>QTY</i>	<i>ITEM</i>	<i>PART NO.</i>	<i>DESCRIPTION</i>	<i>QTY</i>
01	2971108	Clamp, #8 - 20 Per Tube	AR	06	2971095	Fitting, 8-FO x 10-HS 90	1
02	2971109	Clamp, #10 -20 Per Tube	3		2971096	Fitting, 10-FO x 12-HS 90	1
03	2971110	Clamp, #12 -20 Per Tube	3		2971107	Fitting, 10-HS x 10-HS/LCP/SPL	1
04	2971114	Hose, #8 AOC 500' Reel	20		2971106	Fitting, 12-HS x 12-HS/LCP/SPL	1
	2971115	Hose, #10 AOC 500' Reel	110	07	NA	Clamp Locator, (Disposable)	AR
	2971116	Hose, #12 AOC 500' Reel	100		NS 1771828	Insulation, Sleeve Foil 250' Roll	AR
05	See Above	Clamps			NS 1771456	Kit, Wiring ACC 98K APADS	AR
					NS 1771447	Kit, Accumulator ACC	2
					NS 1771269	Breaker, Circuit 60 AMP	2



## EVAPORATOR, EM-7 GEN 5

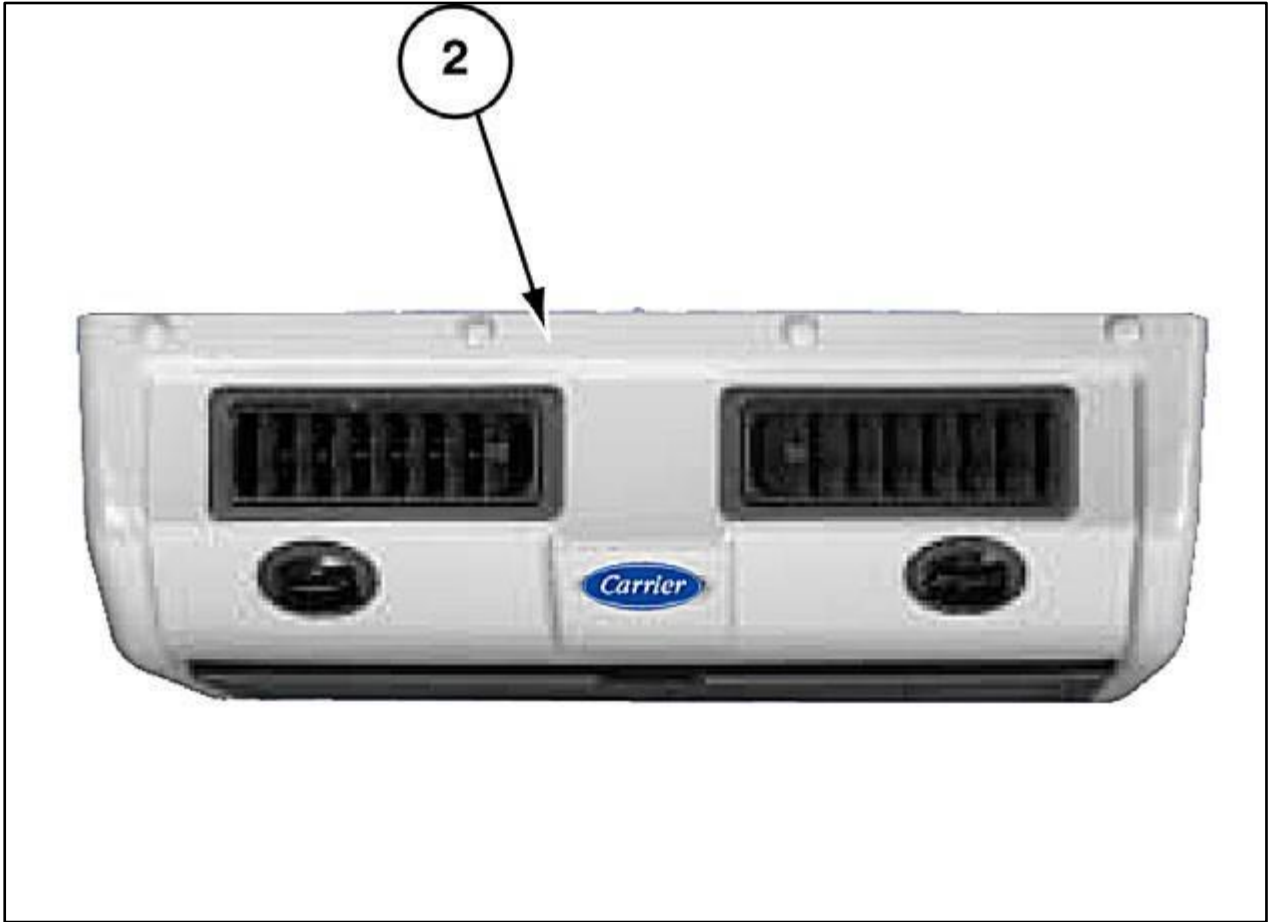
0412676 / 0417661 (REV-A)

<i>ITEM PART NO. DESCRIPTION</i>	<i>QTY</i>	<i>ITEM PART NO. DESCRIPTION</i>	<i>QTY</i>
1 0403188 Install, Pad Evaporator EM-6	1		
2 1771009 Evaporator, EM-7 Gen 5	1		
NS 0374655 Bracket, Air Conditioner Mount	2		
NS 0377388 Mount, EM-6 Evap Rear Blow 104K	1		
NS 0415655 Bracket, EM7 Rear Facing	1		



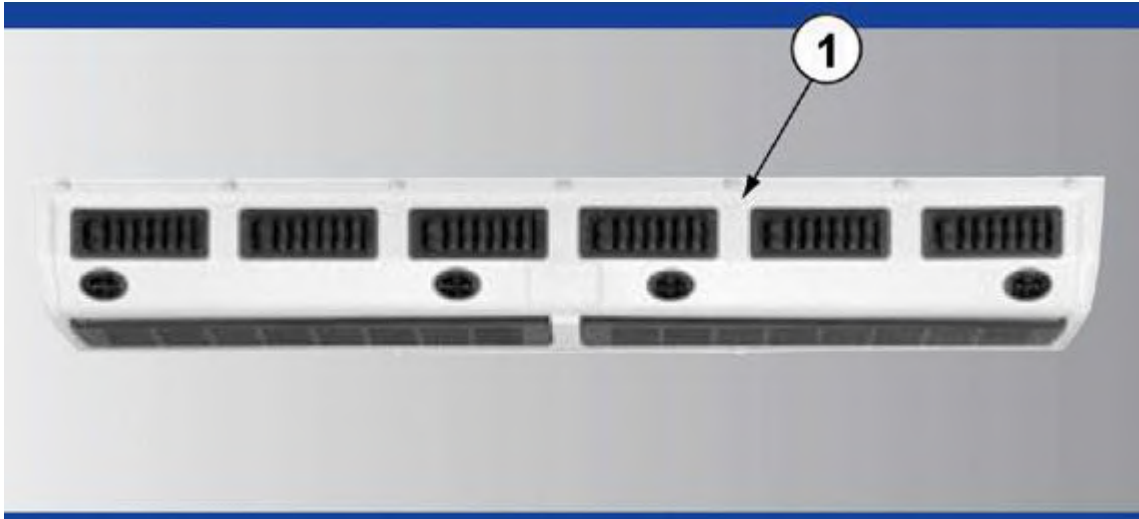
**install, evaporator eM-3 Gen 5**  
**0417661 (REV-A) / 0412675**

<i>ITEM</i>	<i>PART NO.</i>	<i>DESCRIPTION</i>	<i>QTY</i>	<i>ITEM</i>	<i>PART NO.</i>	<i>DESCRIPTION</i>	<i>QTY</i>
1	1771008	Evaporator, EM-3 GEN 5	1				
2	0402960	Install, Pad Evaporator EM-3	1				
N/S	0342782	Bracket, A/C 303-117	2				
N/S	0374655	Bracket, Air Conditioner Mount	2				
N/S	3973254	Harness, Evaporator White EM-3 Gen 5	33				
N/S	3972423	Fuse, Mega 150 Amp, 22-02336-15	1				
N/S	3973742	Holder Fuse Bussman	1				
N/S	2970853	Fitting, 90 Deg 3/8" M.Or X #8 Hose	2				
N/S	2970852	Fitting, 90 Deg 5/8" M.OR X #12 Hose	2				



**EVAPORATOR, EM-7 GEN 5**  
**0419854 / 1771526**

<i>ITEM</i>	<i>PART NO.</i>	<i>DESCRIPTION</i>	<i>QTY</i>	<i>ITEM</i>	<i>PART NO.</i>	<i>DESCRIPTION</i>	<i>QTY</i>
01	1771526	Evaporator, EM-7 Gen 5	1				



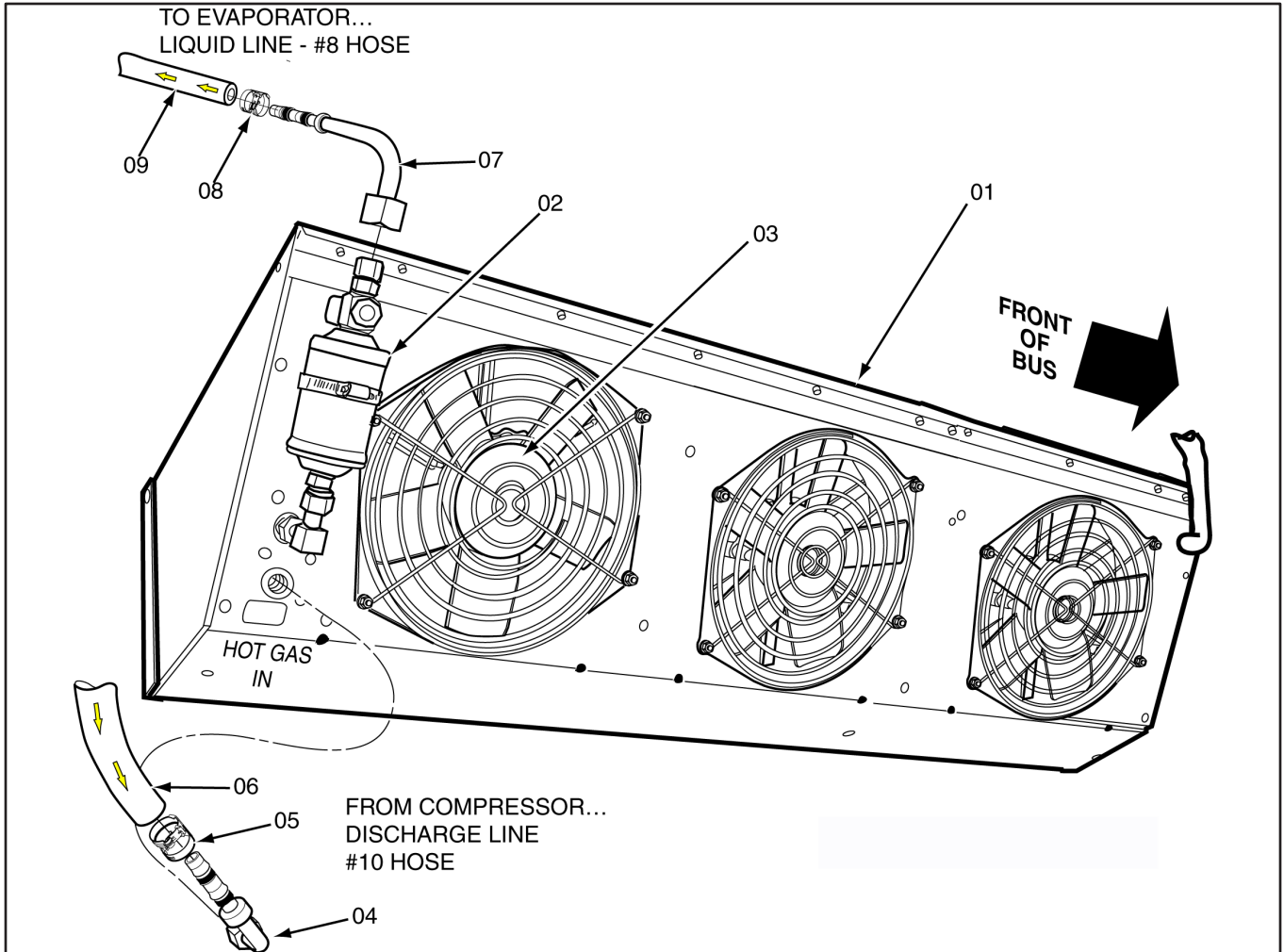
**evaporator, em-3**  
**0419855 - 1771810**

<i>ITEM PART NO. DESCRIPTION</i>	<i>QTY</i>	<i>ITEM PART NO. DESCRIPTION</i>	<i>QTY</i>
01 1771810 Evaporator, EM-3 Including Hardware	1		



## INSTALL AIR 13.5 110V ROOF TOP 0406933

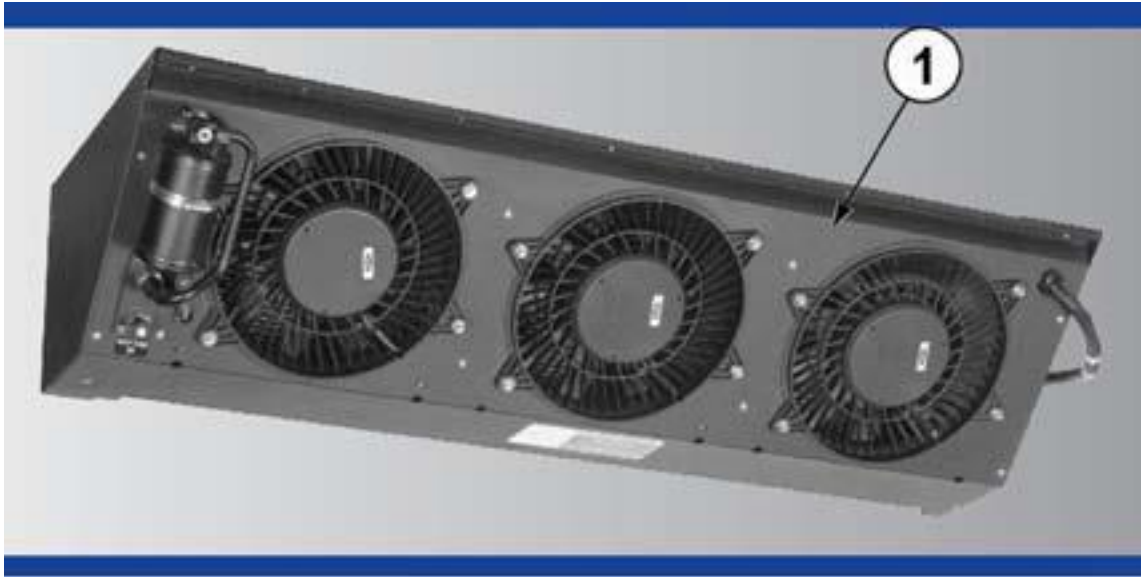
ITEM	PART NO.	DESCRIPTION	QTY	ITEM	PART NO.	DESCRIPTION	QTY
01	1772003	A/C, RV Rooftop 13.5K BTU w/o Heat	1	NS	3371937	ABS, Cover Rear Wall	1
	1771694	Duct, Adapter Dometic	2	NS	3371934	ABS, Cover A/C Hose R/S	1
	1771695	Box, Air Return Grill Dometic	2	NS	3971931	ABS, Cover Hose Rear Ceiling C/S	1
NS	1772004	Thermostat, RV Rooftop 13.5K W/O Ht	1	NS	3971932	ABS, Cover Hose Rear Ceiling R/S	1
NS	3941978	Box, Deep Steel 4.0 x 4.0	1	NS	3971933	ABS, Cover A/C Hose C/S	1
NS	3971308	Wire, Romax 12/2 W/Ground	42				
NS	3342250	Hatch, Cable Locking Polar White	1				
NS	3971578	Wire, Romax 10/2 W/Ground	42				



## condenser, 3-fan micro 0417150 / 0417661 (REV-A)

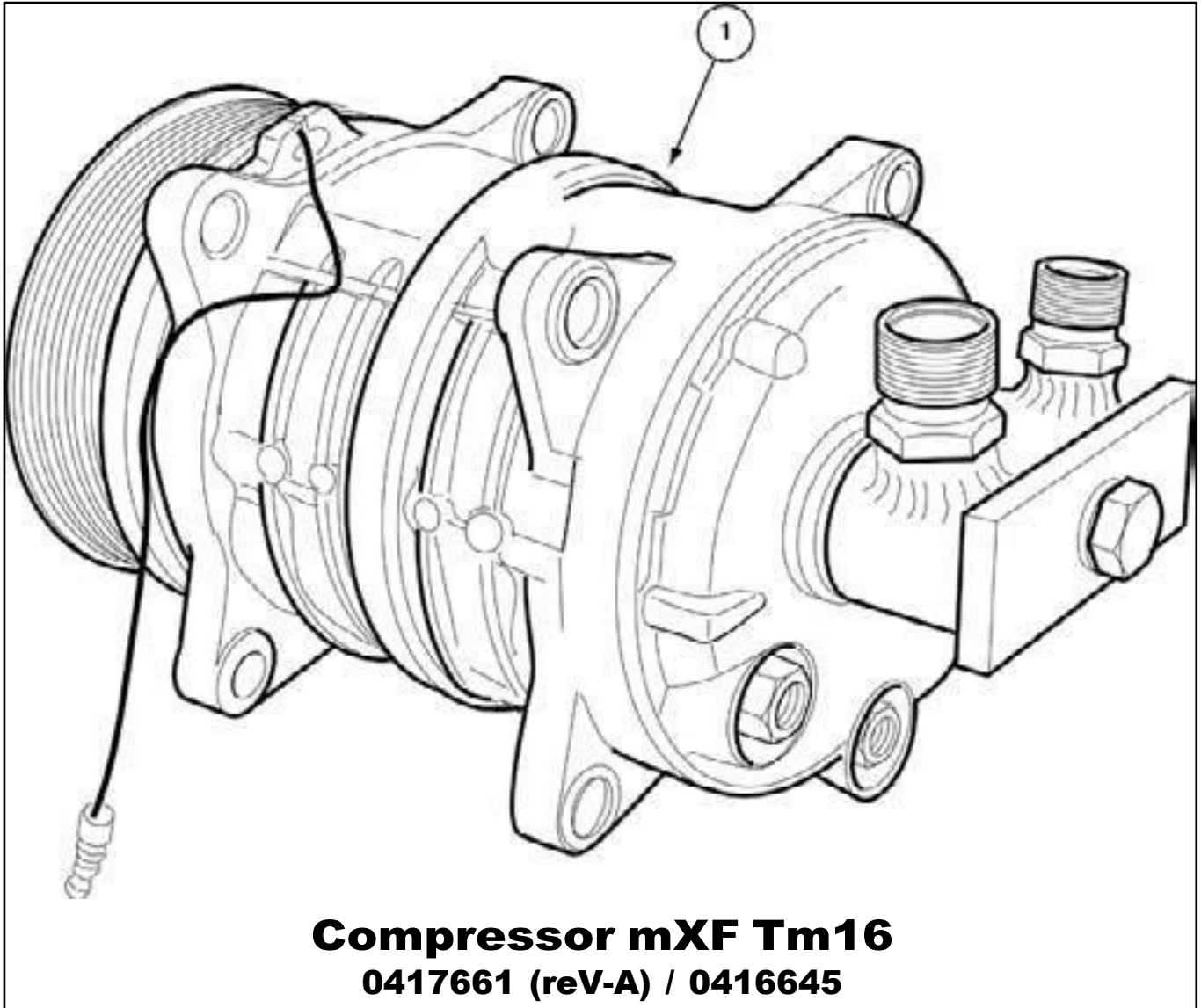
ITEM PART NO. DESCRIPTION	QTY	ITEM PART NO. DESCRIPTION	QTY
1 1771528 Condenser, 3-Fan Carrier Micro	1		
2 1013723 Filter, Drier	1		
3 1012460 Fan, Condenser Pancake Assy	3		
04 2970854 Fitting, 90 Deg 1/2" F.OR X #10	1		
5 2970851 Fitting, Quickclick #10	1		
6 1770842 Hose, #10 Quickclick	A/R		
7 2970938 Fitting, 90 Deg Female O-Ring	1		
8 2970850 Fitting, Quickclick #8	1		
9 1770841 Hose, #8 Quickclick	A/R		
N/S 3973249 Harness, Condenser	18		
N/S 0375327 Bracket, Condenser Mounting	2		





**condenser, 3-fan**  
**0419998 - 1771746**

<i>ITEM PART NO. DESCRIPTION</i>	<i>QTY</i>	<i>ITEM PART NO. DESCRIPTION</i>	<i>QTY</i>
01 1771746 Condenser, 3-Fan Slimline	1		
NS 0375327 Bracket, Condenser Mounting	2		
NS 1770693 Guard, Winter Kit 3Fan Gen 3	1		

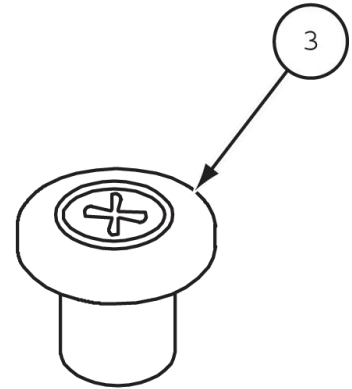
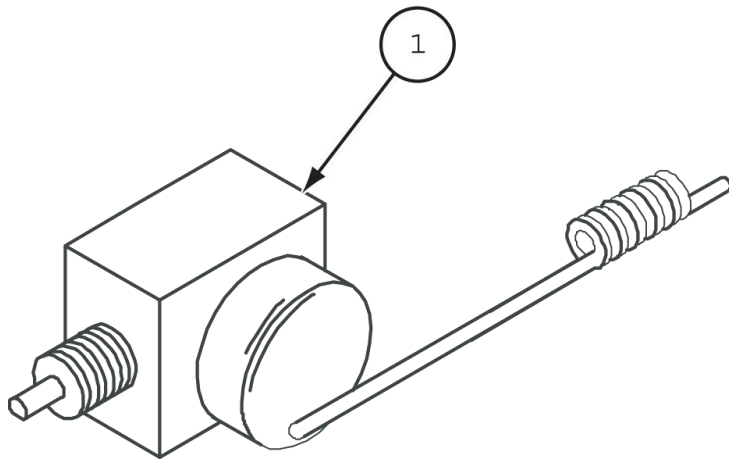
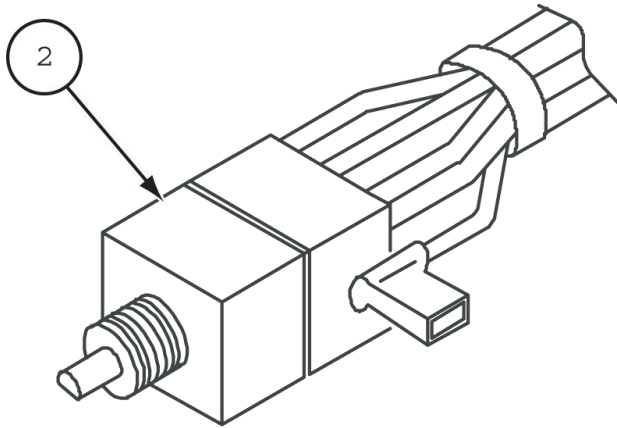


<i>ITEM</i>	<i>PART NO.</i>	<i>DESCRIPTION</i>	<i>QTY</i>	<i>ITEM</i>	<i>PART NO.</i>	<i>DESCRIPTION</i>	<i>QTY</i>
01	1771023	Compressor, TM-16 Pad Poly	2				
NS	1771417	Mount, Compressor MXF-DT(2)	1				
NS	1771656	Spacer, Fan	1				
NS	1771657	Bolt, M10-1.5 x 50 F/W L/W	4				

# NO PICTURES AVAILABLE AT THIS TIME

## A/C HOSES & FITTINGS - QUICK CLICK 0417661 (REV-A) / 0407762

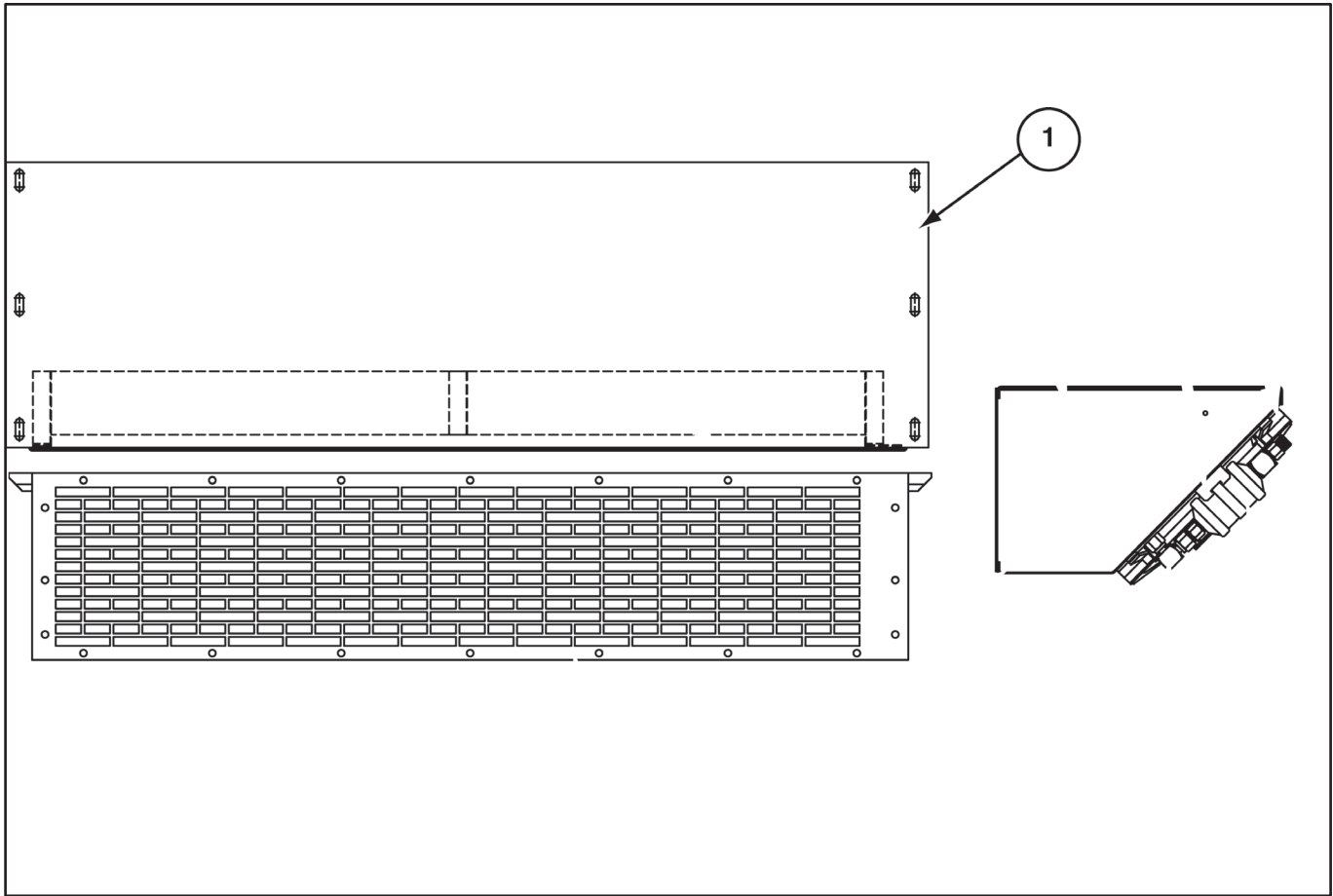
<i>ITEM PART NO. DESCRIPTION</i>	<i>QTY</i>	<i>ITEM PART NO. DESCRIPTION</i>	<i>QTY</i>
NS 1770842 HOSE, #10 QUICK CLICK	34	NS 2970851 FITTING, QUICKCLICK #10 CLAMP	6
NS 1770841 HOSE, #8 QUICK CLICK	34	NS 2970846 FITTING, QUICKCLICK #12 CLAMP	9
NS 3970258 LOOM, 1-1/4" SPLIT NYLON W/STRIPE HI	99	NS 2970877 FITTING, SPLICER #8 X #8 QUICKCLICK	4
NS 3946829 LOOM, 1" SPLIT NYLON W/STRIPE HI	150	NS 2970878 FITTING, SPLICER #12 X #12 QUICKCLIK	4
NS 3971520 CLAMP, P-VINYL COATED STEEL 2"	15	NS 3972248 BREAKER, 100 AMP MANUAL RESET	1
NS 8570948 SCREW, 8 X 3/4 RND PHIL WASHER T2	15	NS 1770843 HOSE, #12 QUICKCLICK	60
NS 8520306 WASHER, FLAT 1/4 USS PLATED	2	NS 1770842 HOSE, #10 QUICKCLICK	48
NS 2970856 FITTING, "T" SPLICER #8 HOSE	2	NS 1770841 HOSE, #8 QUICKCLICK	45
NS 2970917 FITTING, TEE SPLICE #12 X 12 X 12	2	NS 3971352 HARNESS, EVAPORATOR	90
NS 2970854 FITTING, 90° 1/2" F.ORX #10 HOSE	2	NS 3971351 HARNESS, EVAPORATOR	25
NS 2970922 FITTING, STRAIGHT SPLICE W/VALVE 10x 2	2	NS 3971514 TIE, WRAP 15"	8
NS 2970923 FITTING, STRAIGHT SPLICE W/VALVE 12x 2	2	NS 8570765 SCREW, 8 X 1 WAFER PH TEK ZINC	8
NS 2970850 FITTING, QUICKCLICK #8 CLAMP	9		



## A/c Switch

### 0417661 (REV-A) / 0404513

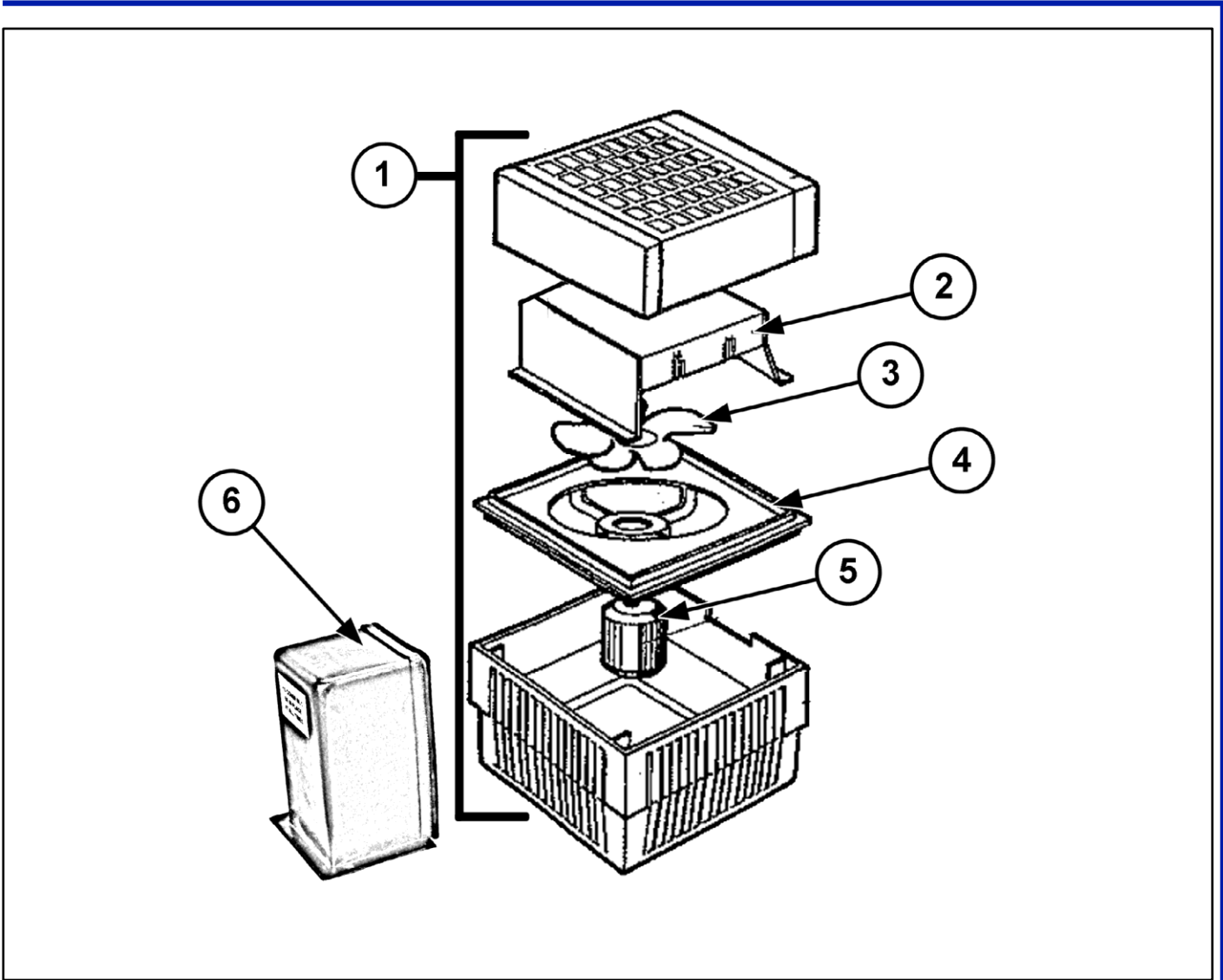
<i>ITEM PART NO. DESCRIPTION</i>	<i>QTY</i>	<i>ITEM PART NO. DESCRIPTION</i>	<i>QTY</i>
01 1770502 Switch, A/C 201-500	1		
02 1770494 Switch, A/C 201-305	1		
03 1770528 Knob, A/C 202-300	2		
NS 8571179 Nut, A/C Switch 7/16-28	4		
NS 3971718 Relay 30 Amp	1		
NS 3971248 Breaker, 20 Amp 12 Volt Reset	1		
NS 3971249 Breaker, 30 Amo 12 Volt Reset	1		



## A/C CONDENSER, CS-3 ACT

### 0411278 / 0416421 / 0413512

<i>ITEM PART NO. DESCRIPTION</i>	<i>QTY</i>	<i>ITEM PART NO. DESCRIPTION</i>	<i>QTY</i>
<b>0411278 A/C CONDENSER CS-3 ACT</b>		<b>0413512 WINTER GUARD KIT</b>	
01 1770966 Condenser, CS-3 ACT	1	NS 1771117 Guard, Winter Kit CS-3 ACT	1
NS 0372771 Support, Side Pan 18.5"	2		
NS 3973249 Harness, Condenser Red GEN-5	18		
NS 3970290 Terminal, Heat Shrink Ring 16-14 #10	2		
NS 3971612 Terminal, Heat Shrink Ring 12-10 1/4	1		

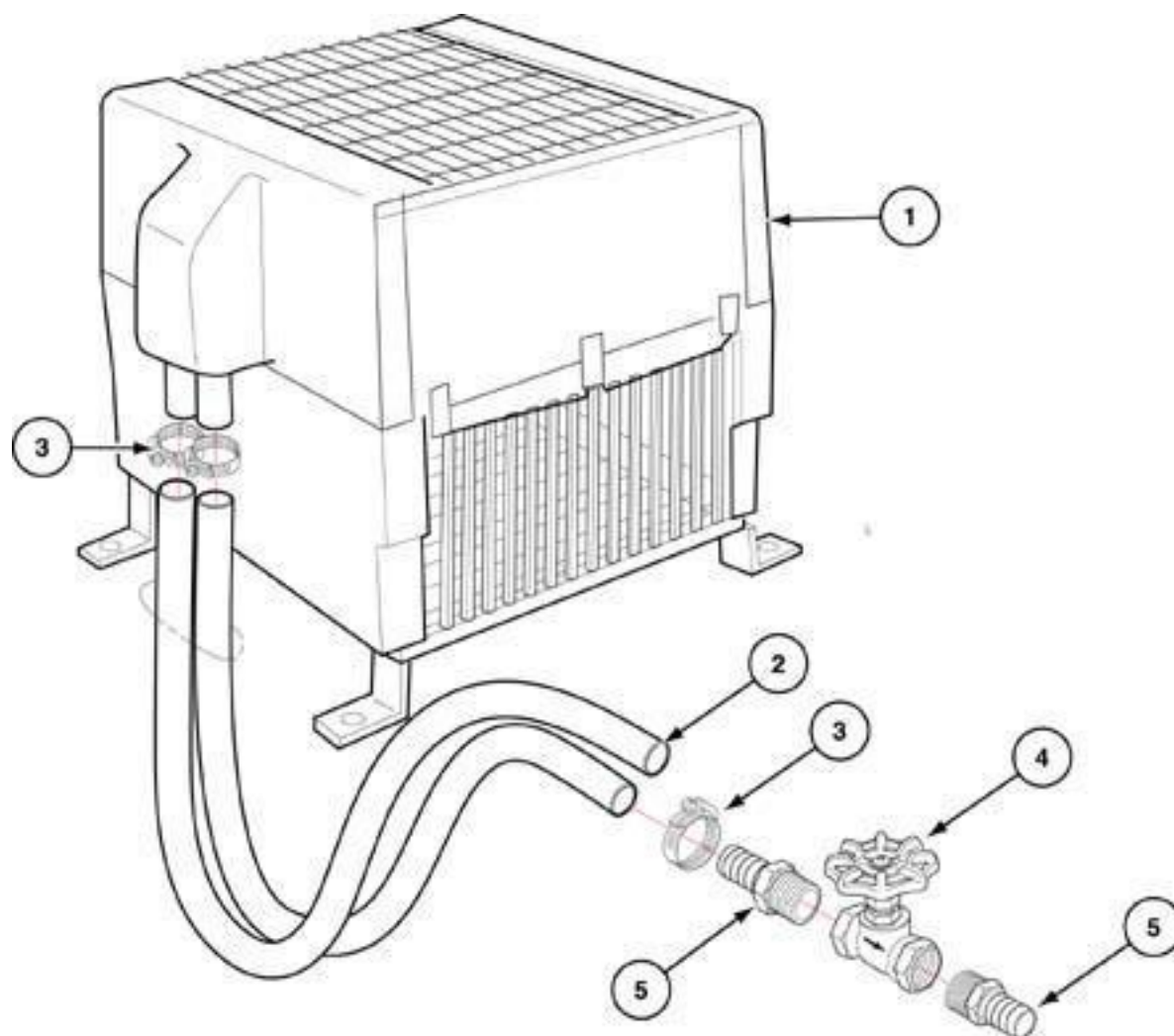


## Auxiliary Floor Heater 35K BTU

Item	Part Number	Description	QTY	Item	Part Number	Description	QTY
01	1770821	HEATER,35,000 BTU	1				
02	1016831	COIL, HEATER 35K	1				
03	1015091	FAN,HEATER MOTOR REAR	1				
04	TBD	Motor Holder	1				
05	1013175	MOTOR,HEATER	1				
06	3371964	COVER,HEATER FLOOR ABS	1				

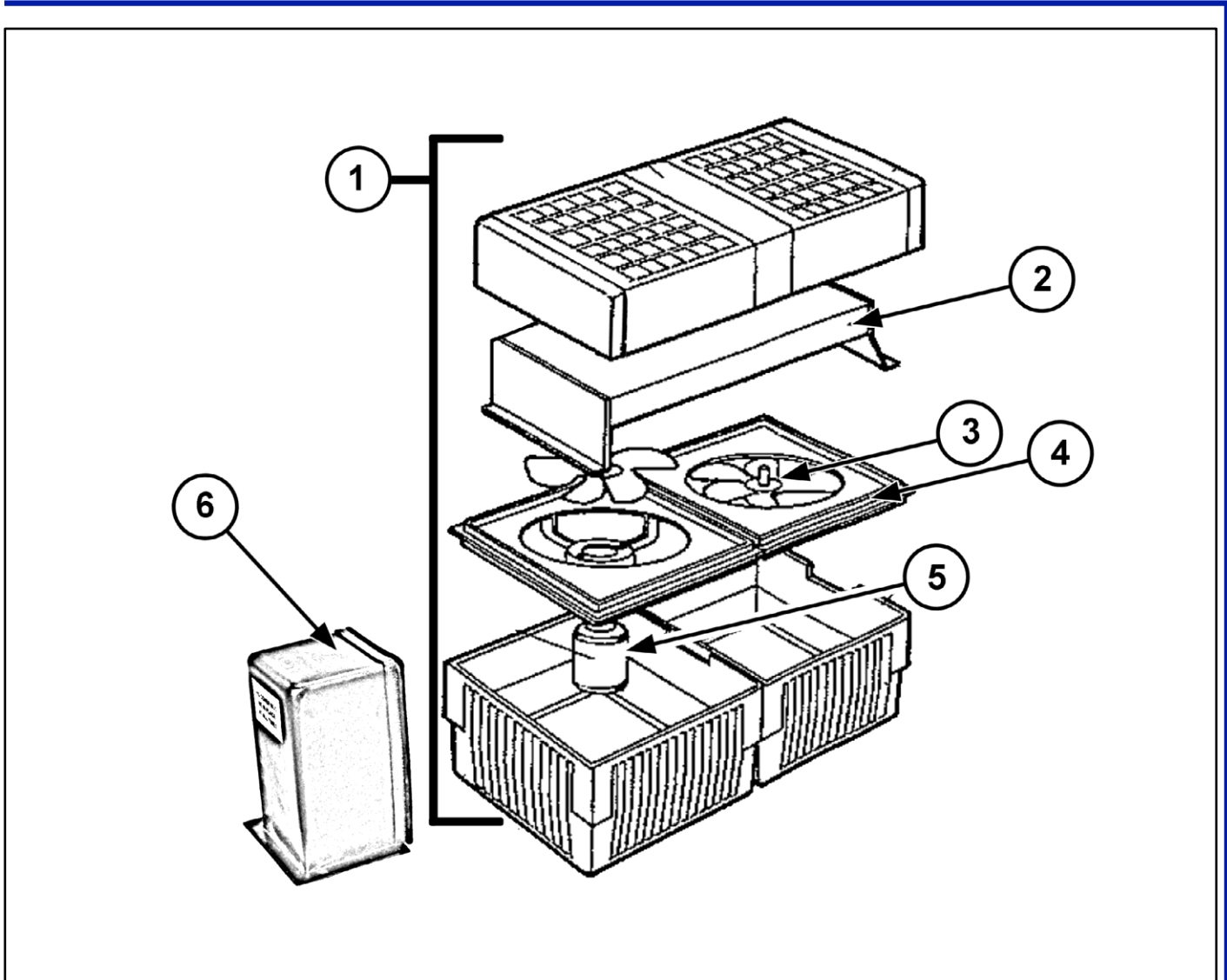
**Also Found in Assemblies:**

0401476, 0402780, 0402971, 0402972, 0403163, 0403194, 0403537, 0403821, 0403835, 0403865, 0404363, 0404822, 0404826, 0404951, 0405011, 0405012, 0405316, 0405620, 0406383, 0407605, 0408947, 0410024, 0413540, 0414464, 0415674, 0415805, CH-000-998-0808, EZ-310-900-0808, CO-300-900-0808, BG-300-900-0808, BG-340-900-0808, CT-310-900-0808



## install 45k btu heater 0408843 (reV-a) & 0405320

ITEMPART NO.	DESCRIPTION	ITEMPART NO.	DESCRIPTION
<b>0408843 INSTALL HEATER 45,000 BTU</b>		<b>0405320 INSTALL 1/2" BALL VALVE FOR 5/8 HTR HOSE</b>	
01 1770760	HEATER (45,000 BTU PROAIR)	1 4 2970407	Valve, Threaded Ball Type (1/2") 1
02 2970457	HOSE, HEATER (5/8 HI TEMP)	A/R 5 2943314	Fitting, Adapter (1/2MPT x 5/8 Barb) 2
03 4970430	CLAMP, HOSE (1/2 x 1-1/8) #10	6	
06 3944162	SWITCH, 2-SPEED	1	<b>0402967 INSTALL, SWITCH REAR HEATER</b>
N/S 3944519	LENS, HEATER (BLUE)	1 N/S 3973976	SWITCH, CARLING ON/OFF/ON 1
N/S 3972646	BREAKER, 10 AMP (MANUAL RESET)	1 N/S 3947066	CONNECTOR, RT 10-4848 1
N/S 8570936	SCREW (8 x 1 PAN QUAD T2)	4 N/S 3970183	RECEPTICAL, FAST-ON #187 5
N/S 8570932	SCREW (8 X 1 PAN QUAD FAST CAD)	5	
N/S 3944303	TERMINAL, F/INSU FM/QUICK DISC 12-10	2	
		1	
<b>0403313 INSTALL, HOSE SHIELD REAR HEATER</b>			
N/S 3371964	COVER, HEATER FLOOR ABS		



## Auxiliary Floor Heater 65K BTU

Item	Part Number	Description	QTY	Item	Part Number	Description	QTY
01	1770822	HEATER,65,000 BTU	1				
02	1016832	COIL, HEATER 65K	1				
03	1015091	FAN,HEATER MOTOR REAR	2				
04	TBD	Motor Holder	1				
05	1013175	MOTOR,HEATER	2				
06	3371964	COVER,HEATER FLOOR ABS	1				

**Also Found in Assemblies:**

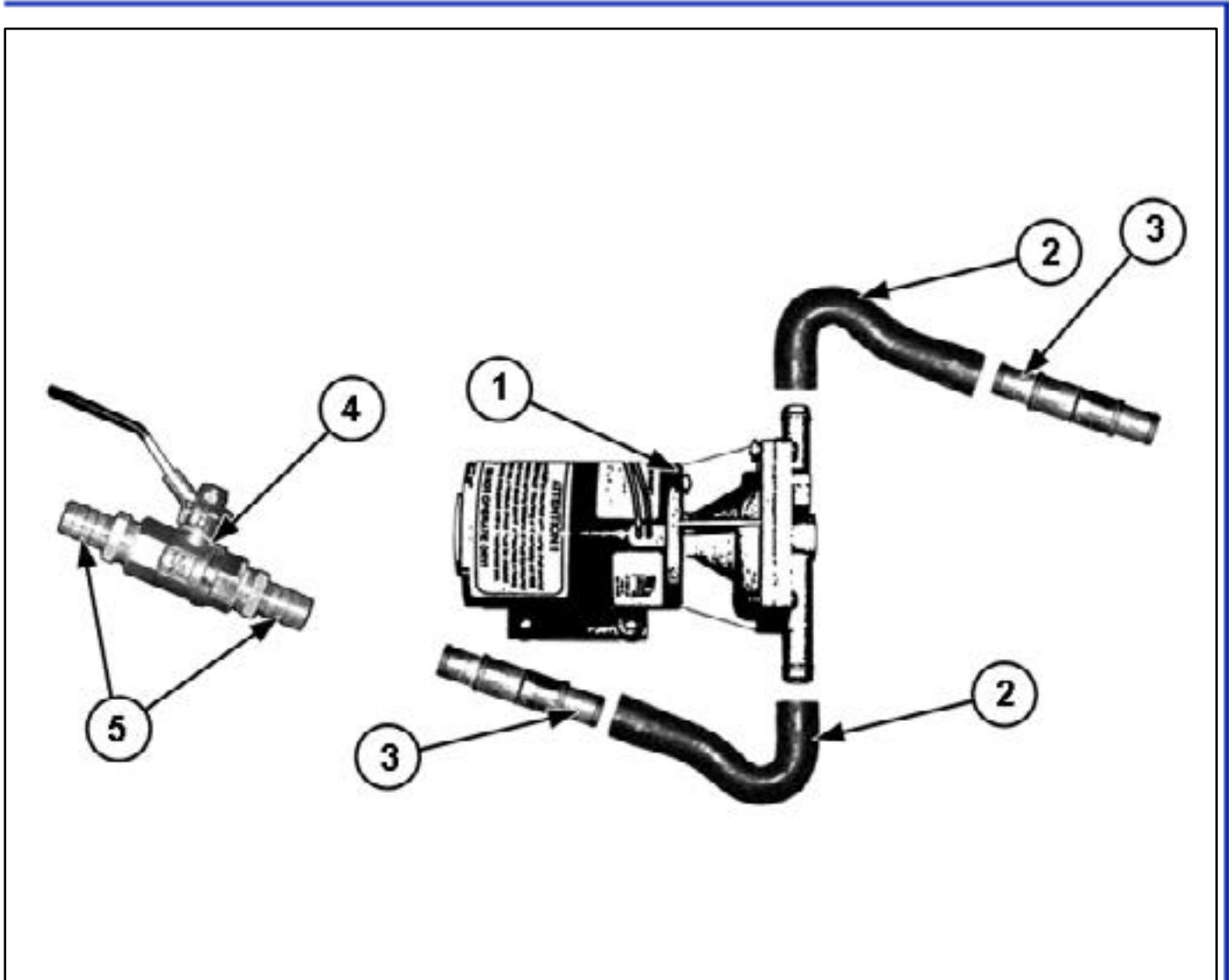
0402608, 0402974, 0402973, CM-270-900-0807, 0403226, 0403311, 0403538, 0403820, 0403864, CO-301-998-0002, 0404459, 0404823, 0404995, 0405285, 0405500, 0405653, 0405885, 0405979, 0406281, 0406559, DF-250-900-0807, BG-340-900-0807, BG-320-900-0807, S23000040807, CT-300-999-0807, CT-380-900-0807, 0407665 CT-330-999-0807, CH-230-998-0807, AB-300-999-0807, 0409308 CT-260-998-0807, DF2500040807, CC3500040807, DF3500040807, CT3800040807



**NO PICTURE AVAILABLE AT THIS TIME**

**PRO AIR STEPWELL HEATER  
0421726 (REV-A) / 1772017**

<i>ITEM</i>	<i>PART NO.</i>	<i>DESCRIPTION</i>	<i>QTY</i>	<i>ITEM</i>	<i>PART NO.</i>	<i>DESCRIPTION</i>	<i>QTY</i>
1	1772017	Heater, Stepwell ProAir	1				
2	0380027	Bracket, Stepwell Floor Heater	1				
	2970457	Hose, Heater 5/8 I.D. Hi-Miler	10				
	0403313	Install, Hose Shield Rear Heater	1				
	3972646	Breaker, 10 Amp Manual Reset ETA	1				
	0405320	Install, 1/2" Ball Valve For 5/8 Htr Hose	1				
	0402967	Install, Switch Rear Heater	1				
	0407209	Install, Heater Prep	1				

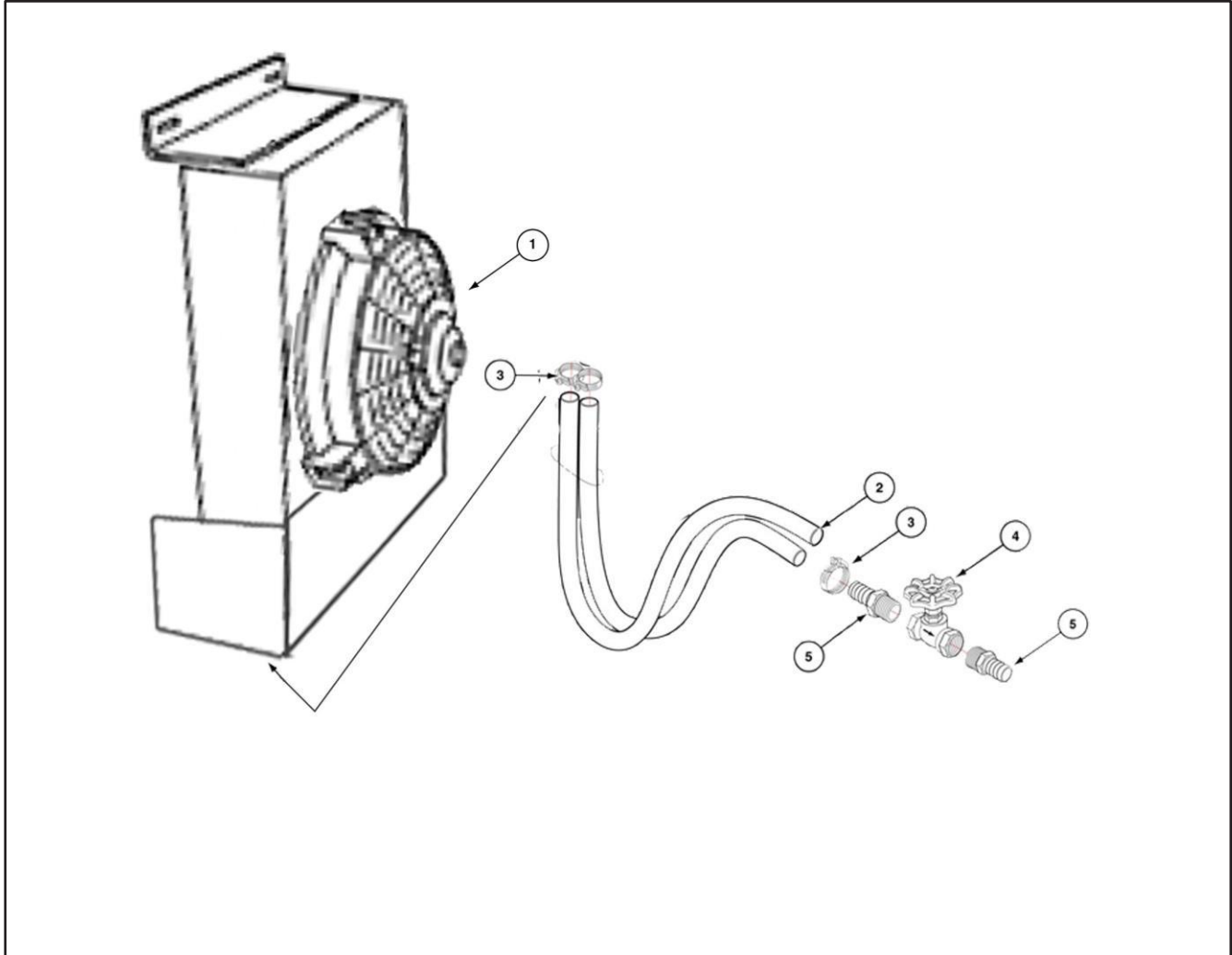


## Auxiliary Floor Heater Circulation Pump and Hose

Item	Part Number	Description	QTY	Item	Part Number	Description	QTY
01	2370046	PUMP,CIRCULATOR 12 VOLT 5/8"	1				
02	1770884	ELBOW,RUBBER 60 DEG X 5/8 HOSE	2				
03	2970724	FITTING,SPLICE 5/8 HEATER HOSE	2				
04	2970407	Valve, BALL Threaded ball 1/2"	1				
05	2943314	FITTING,ADAPTER 1/2MPT X 5/8 BARB	2				
N/S	2970457	HOSE,HEATER 5/8 I.D. HI-MILER	A/R				
N/S	3371964	COVER,HEATER FLOOR ABS (optional)	1				
N/S	0770070	INSULATION,PIPE HOSE 6' (optional)	A/R				
N/S	2970452	HOSE, HEATER SILICONE 5/8"	A/R				

**Also Found in Assemblies:**

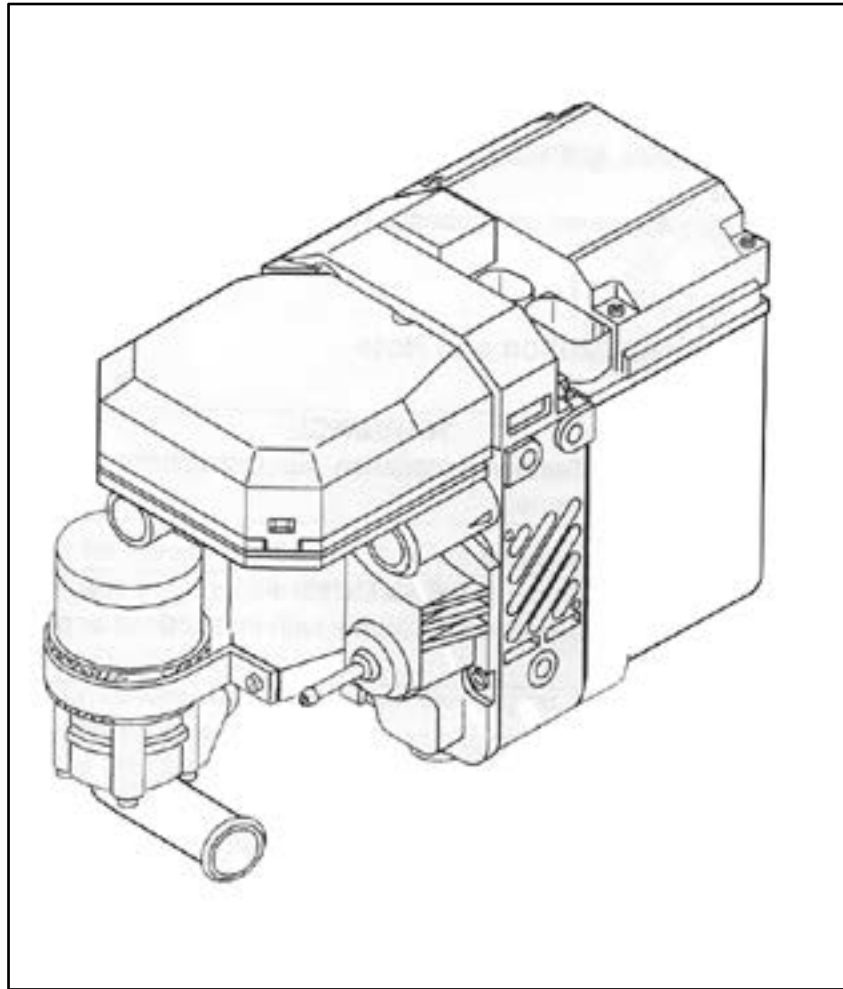
CH-000-900-0809, CT-000-900-0809, EZ-000-900-0809, 0422758  
 0415656, EZ000NJ40809, EZ000NK40809, CH000FP40809, 0421758  
 CR000GC40809, CH000FU40809, CH000GV40809, 0420570  
 CH000GX40809, CH000GU40809, CH000GY40809, 0420334  
 CH000GI40809, DF000GT40809, DF000GO40809, 0420801  
 DF000GI40809, DF000GY40809, DF000GX40809, 0420555, 0421785  
 DF000NH40809, DF000GU40809, DF000NI40809, DF000NJ40809  
 DF000NK40809, HC000ND40809, HC000NJ40809, HC000NF40809  
 DF000NF40809DF000ND40809, CT000MD40809, CT000MJ40809  
 CT000ME40809, RE000XC40809, CH000FF40809, CH000GT40809



## HEATER 65K BTU - WALL MOUNT

### 0407650 / CX2500046009 / 0412185

<i>ITEM PART NO. DESCRIPTION</i>	<i>QTY</i>	<i>ITEM PART NO. DESCRIPTION</i>	<i>QTY</i>
<b>0407650 WALL MOUNT HEATER 65K BTU</b>		<b>CX2500046009 HEATER HOSE PIPE WRAP</b>	
1 1770865 Heater, 65,000 BTU Wall Mount	1	NS 0770049 Insulation, Pipe 3/8 x 7/8 x 6'	AR
2 2970457 Hose, Heater 5/8 ID Hi-Temp	AR	<b>0412185 PIPE WRAP HEATER HOSE</b>	
03 4970430 Clamp, Hose 1/2 - 1-1/18 #10	10	NS 0770049 Insulation, Pipe 3/8 x 7/8 x 6' Slit	6
4 2970407 Valve, Threaded Ball Type 1/2" B600	1		
5 2943314 Fitting, Adapter 1/2MPT x 5/8 Barb	2		



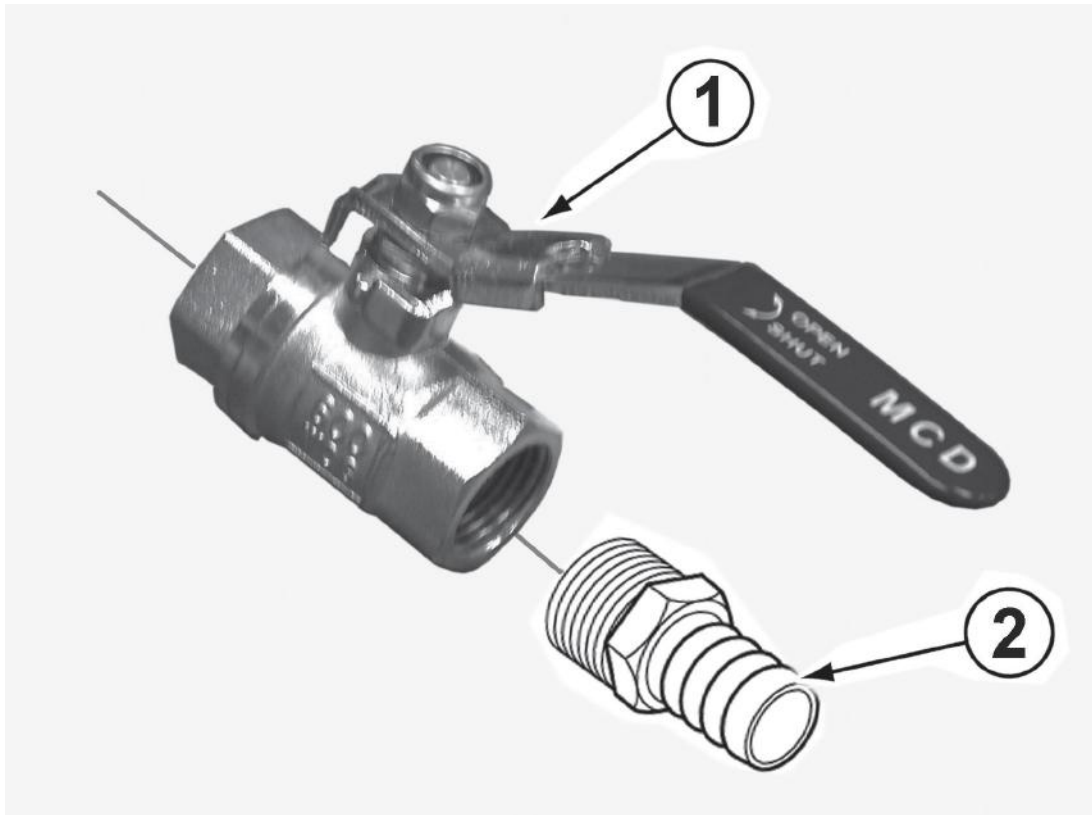
**webasto heater - m2**  
**0421818 / 1771031**

<i>ITEM PART NO. DESCRIPTION</i>	<i>QTY</i>	<i>ITEM PART NO. DESCRIPTION</i>	<i>QTY</i>
01 1771031 Heater, Coolant Webasto	1		
NS 2971126 Kit, Tube Fuel 1/4" Feed & Return	1		
NS 1771756 Fitting, Fuel Vent Adapter For M2	1		

**NO PICTURE AVAILABLE AT THIS TIME**

**HEATER FILTER KIT - PRO AIR 65K HTR  
0418126**

<i>ITEM</i>	<i>PART NO.</i>	<i>DESCRIPTION</i>	<i>QTY</i>	<i>ITEM</i>	<i>PART NO.</i>	<i>DESCRIPTION</i>	<i>QTY</i>
01	1771566	Kit, Heater Filter 65K Pro Air 465	1				



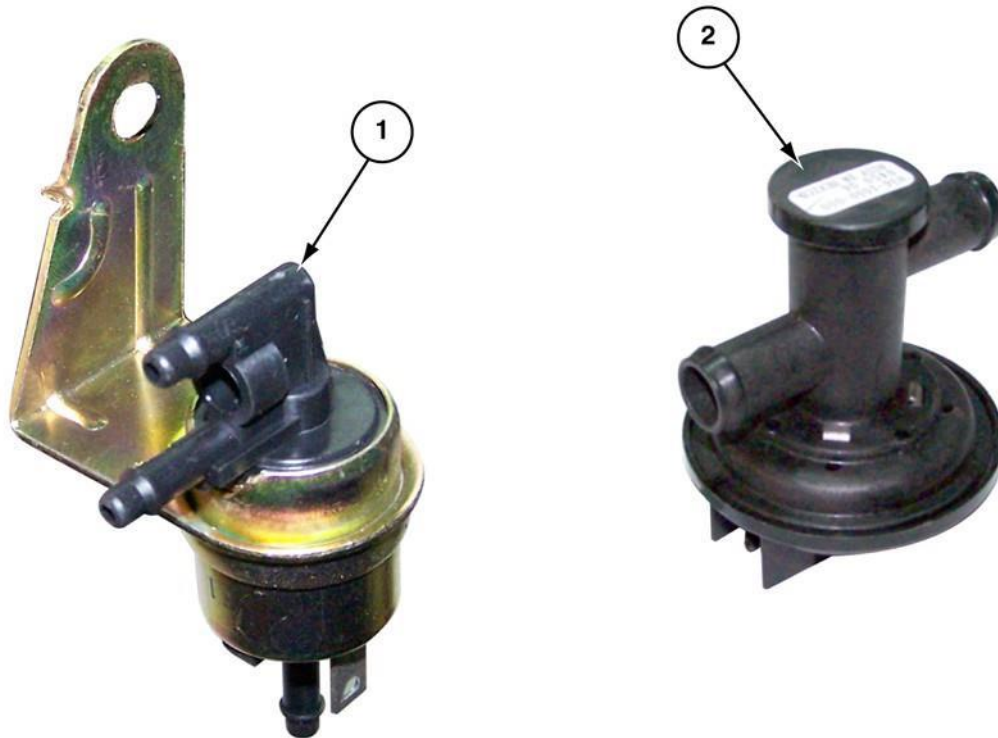
**1/2" Ball Valve for 5/8 htr hose**  
**CX0000040163**

<i>ITEM PART NO. DESCRIPTION</i>	<i>QTY</i>	<i>ITEM PART NO. DESCRIPTION</i>	<i>QTY</i>
1 2970407 Valve, Threaded Ball 1/2"	1		
2 2943314 Fitting, Adapter 1/2 MPT x 5/8 Brass	2		

**PICTURE NOT AVAILABLE  
AT THIS TIME**

**PIPe WraP heater hose  
46009**

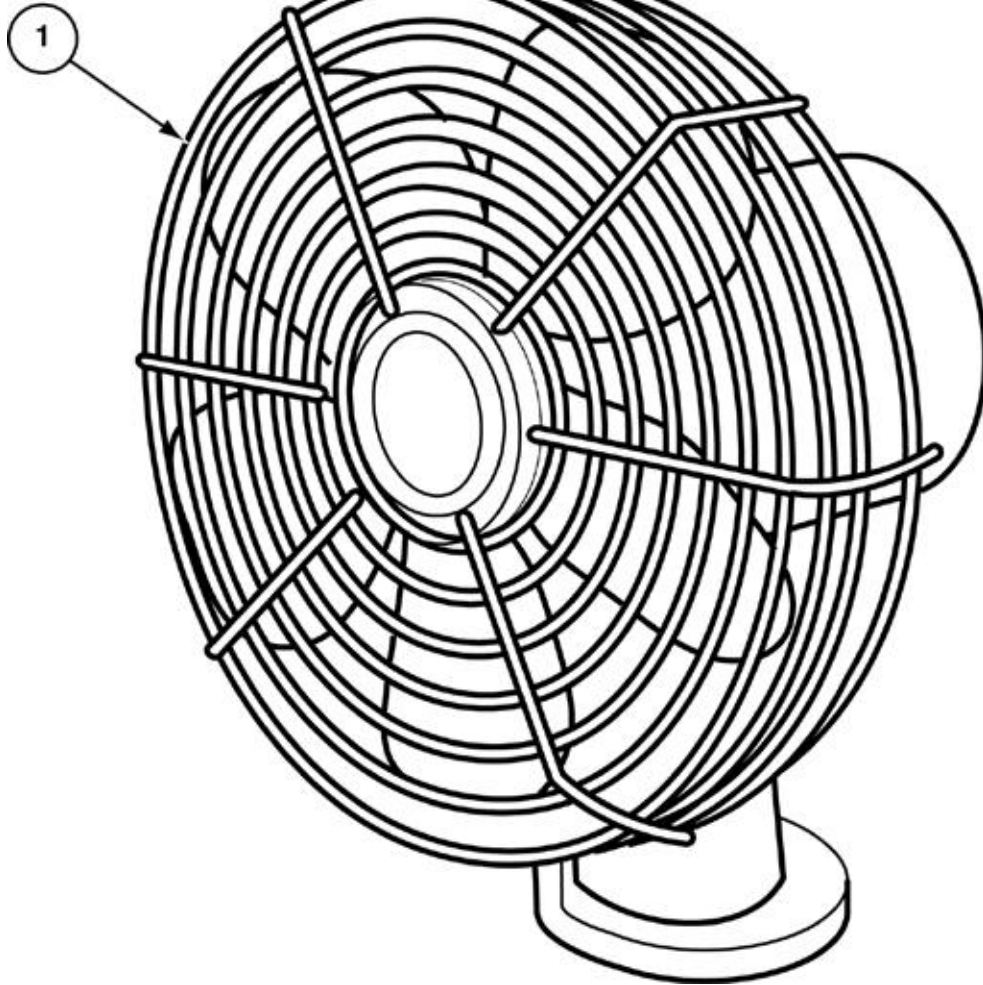
<u>ITEM PART NO. DESCRIPTION</u>	<u>QTY</u>	<u>ITEM PART NO. DESCRIPTION</u>	<u>QTY</u>
<b>CX2900046009, CX3100046009, CX2500046009</b> <b>Heater Hose Pipe Wrap</b>		<b>CX2100046009, CX2300046009, CX3300046009,</b> <b>CX3500046009, CX3700046009, CX3800046009</b>	
N/S 0770049 Insulation, Pipe 3/8x7/8x6'	AR	N/S 0770069 Insulation, Pipe Hose .875 x 6' W/AD	AR
N/S 0770069 Insulation, Pipe Hose .875 x 6' W/AD	AR		
<b>CX2500046009 Heater Hose Pipe Wrap</b>			
N/S 0770070 Insulation, Pipe Hose 1.25 x 6' W/A	AR		



**ELECTRIC HEATER SHUT-OFF VALVE**  
**0412999**

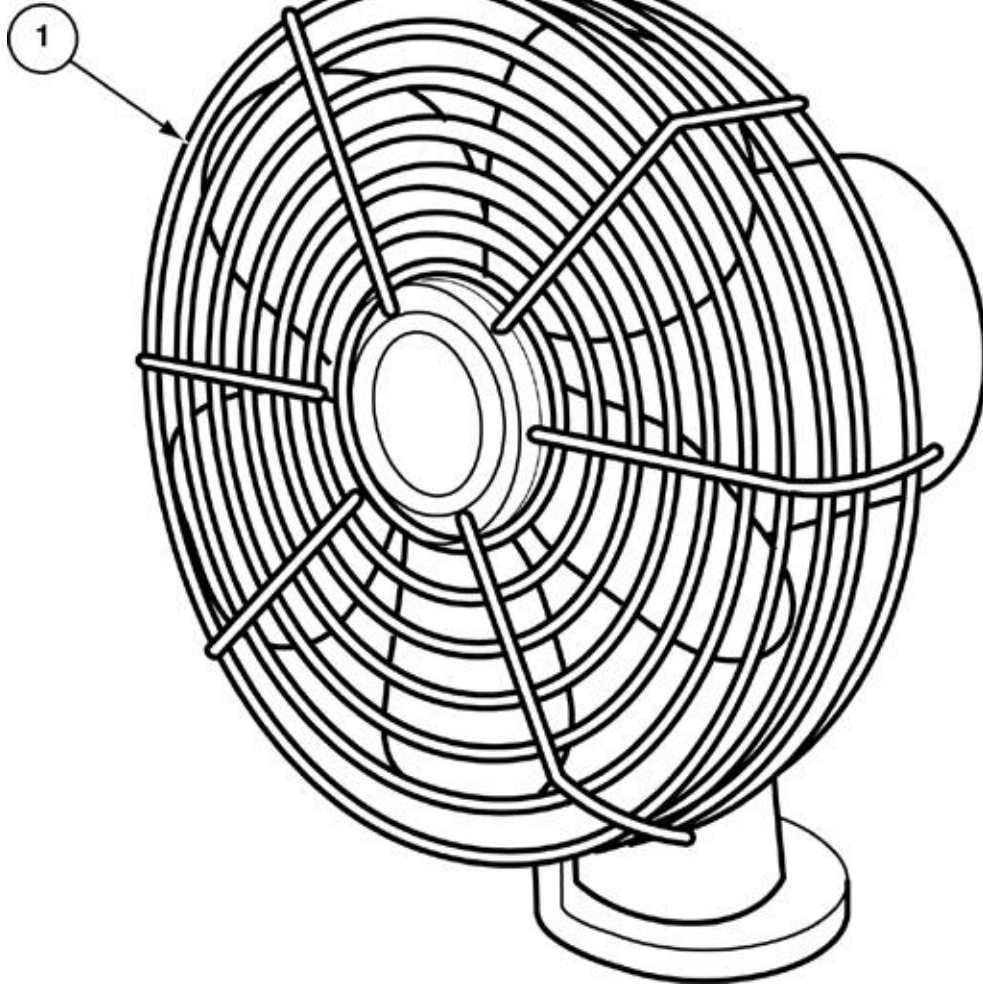
<i>ITEM PART NO. DESCRIPTION</i>	<i>QTY</i>	<i>ITEM PART NO. DESCRIPTION</i>	<i>QTY</i>
1 1771002 SWITCH, ELECTRIC VACUUM	1		
2 1771003 VALVE, VACUUM SHUT-OFF	1		
N/S 2970433 HOSE, (5/32" I.D.)	A/R		





**INSTALL DEFROST FAN  
0402763 / CT0000022810**

<i>ITEMPART NO.</i>	<i>DESCRIPTION</i>	<i>ITEMPART NO.</i>	<i>DESCRIPTION</i>
01	6540728 FAN, DEFROSTER 12 VOLT	1	
N/S	8570768 SCREW (8 x 1-1/2 PAN QUAD BLACK)	4	
N/S	8570053 STAR-WASHER, #10	1	
N/S	3944162 SWITCH, 2-SPEED BLUE	1	
N/S	3971290 BREAKER, 20 AMP	1	



**INSTALL DEFROST FAN**  
**0402763 - CH0000022810 - CH-000-900-2810**

<i>ITEMPART NO.</i>	<i>DESCRIPTION</i>	<i>ITEMPART NO.</i>	<i>DESCRIPTION</i>
01	6540728 FAN, DEFROSTER 12 VOLT	1	
N/S	8570768 SCREW (8 x 1-1/2 PAN QUAD BLACK)	4	
N/S	8570053 STAR-WASHER, #10	1	
N/S	3944162 SWITCH, 2-SPEED BLUE	1	
N/S	3971290 BREAKER, 20 AMP	1	

**NO PICTURE AVAILABLE AT THIS TIME**

**NO HEAT OPTION PACKAGE  
CH-000-999-0812**

<u>ITEM PART NO. DESCRIPTION</u>	<u>QTY</u>	<u>ITEM PART NO. DESCRIPTION</u>	<u>QTY</u>
NS 4370103 STEEL, BLACK HIDE 2GA 48 X 96	AR		
NS 4570144 CAP, END "J" 1/4" X 16' GRAY	AR		
NS 4370003 STEEL, BLACK HIDE 24GA 48 X 96	AR		
NS 4370103 STEEL, BLACK HIDE 23GA 48 X 96	AR		



**CHAMPION**  
**BUS, INC.**  
Thor Industries Commercial Bus Division

# **SECTION 9:**

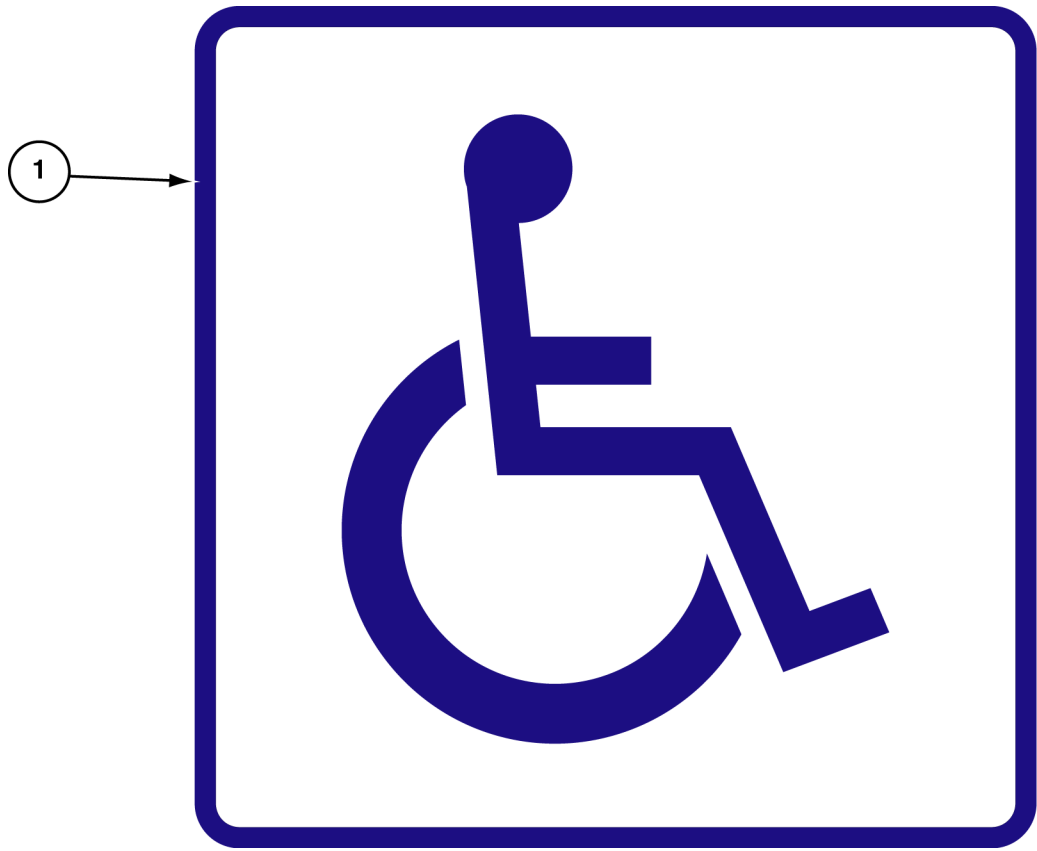
# **SafETy & DECals**



## CHAMPION DECALS

**0408312, Cx0000080068**

ITEMPART NO.	DESCRIPTION	ITEMPART NO.	DESCRIPTION
01 8940561	DECAL, PARATRANSIT	1 09 8970906	DECAL, THOR
02 8971006	LABEL, COVER MUST BE IN PLACE AT ALL TIMES	1 10 8980807	EMBLEM, BY CHAMPION
03	NOT USED	8971067	DECAL, THOR GREEN LEAF W/LIGHTNING BOLT
04 8970154	DECAL, "PRIORITY SEATING"	1 11 8970487	LABEL, "STANDING FORWARD OF YELLOW LINE..
05 8944035	DECAL, "EMERGENCY EXIT"	1 12 8970800	LABEL, "FWD FACING WHEELCHAIR SECUREMENT..
06 8971012	DECAL, COOLING SYSTEM WAS CHECKED BY		
07 970971	LABEL, CONFORMITY TITLE 49 (CHAMPION)	<b>CX0000080068</b>	<b>WATCH YOUR STEP SIGN</b>
08 8943433	DECAL, "NO SMOKING" (10 X 2-1/2)	NS 8970287	LABEL, "WATCH YOUR STEP"
		NS 8970287	LABEL, "WATCH YOUR HEAD"



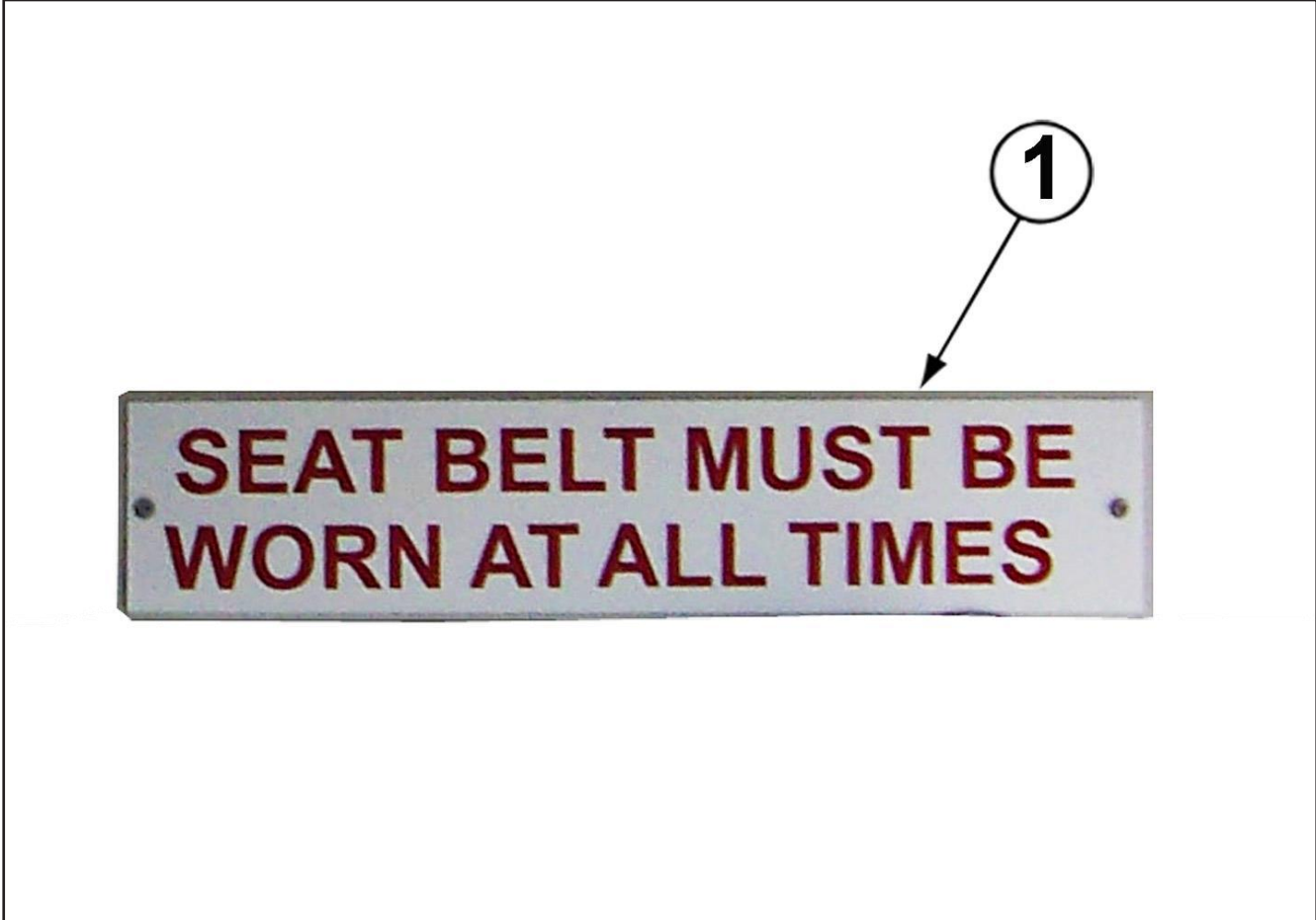
**INSTALL PARATRANSIT DECAL  
CX-000-900-3106 - CX0000063106**

<i>ITEM</i>	<i>PART NO.</i>	<i>DESCRIPTION</i>	<i>QTY</i>	<i>ITEM</i>	<i>PART NO.</i>	<i>DESCRIPTION</i>	<i>QTY</i>
01	8940561	DECAL, PARATRANSIT (8.75 x 8.75)	1				

**No smoking**

**NO SMOKING DECAL  
CX-000-900-0022 / CX0000080022**

<i>ITEM</i>	<i>PARTNO.</i>	<i>DESCRIPTION</i>	<i>QTY</i>	<i>ITEM</i>	<i>PARTNO.</i>	<i>DESCRIPTION</i>	<i>QTY</i>
01	8943433	DECAL,NOSMCKINGLABEL (10" X 2½")	1				



**sign - "seat belt must be....."**  
**CX0000080156**

<i>ITEM PART NO.</i>	<i>DESCRIPTION</i>	<i>QTY</i>	<i>ITEM PART NO.</i>	<i>DESCRIPTION</i>	<i>QTY</i>
01	8970607 VINYL, 15" x 150" BLACK	AR			





**sign - emergency exit**  
**cx-000-900-0155**

<i>ITEM PART NO. DESCRIPTION</i>	<i>QTY</i>	<i>ITEM PART NO. DESCRIPTION</i>	<i>QTY</i>
01 8970607 Vinyl, 15" x 150' Black ("EMERGENCY EXIT")	AR		



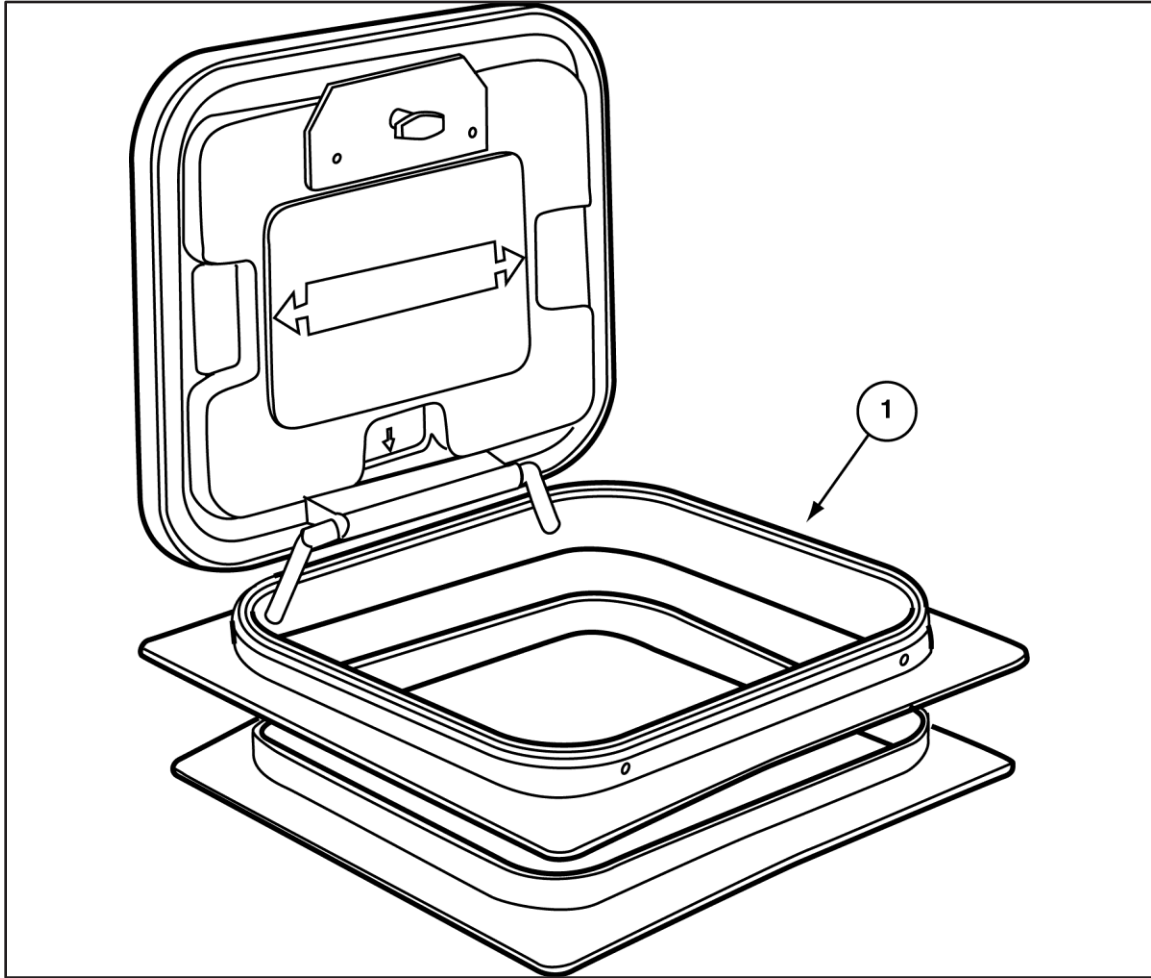
**red led yield sign  
0419752**

<i>ITEM</i>	<i>PART NO.</i>	<i>DESCRIPTION</i>	<i>QTY</i>	<i>ITEM</i>	<i>PART NO.</i>	<i>DESCRIPTION</i>	<i>QTY</i>
01	3975401	Sign, Red Yield Data LED	1				
NS	3975323	Harness, Merge Alert Sign	1				



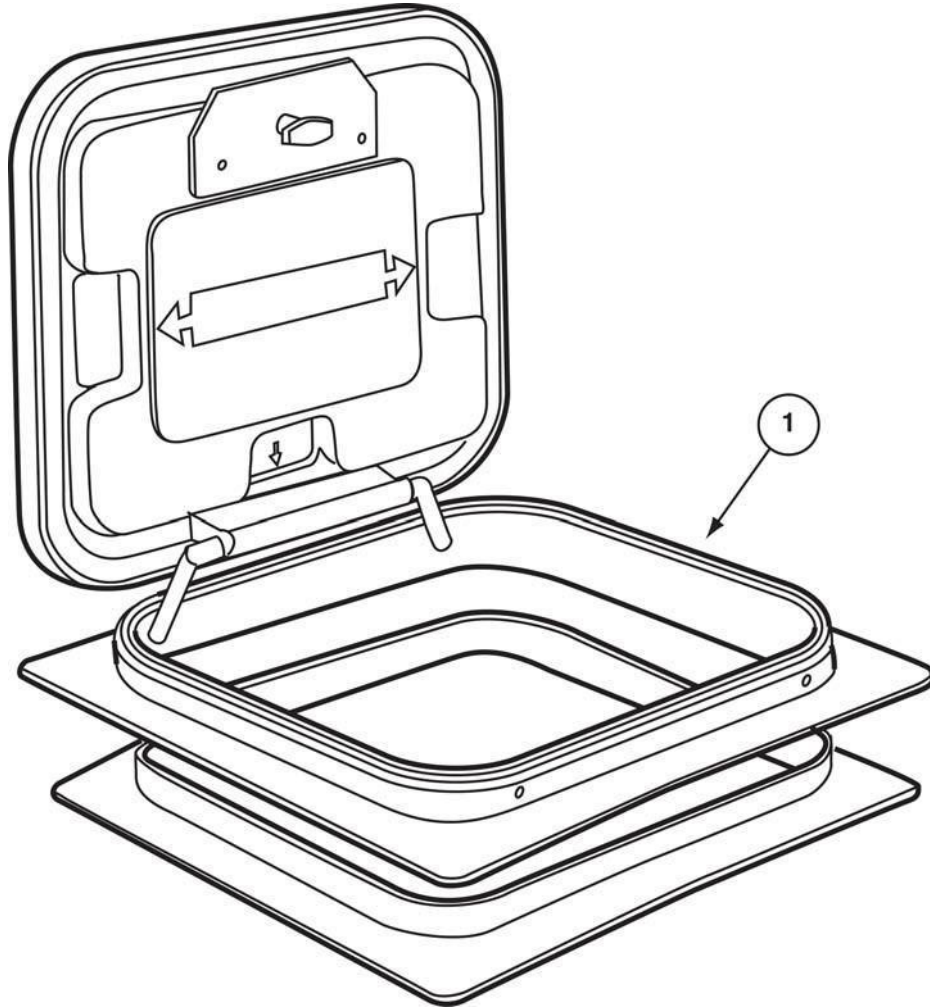
**EmErgEncy EscapE Hatch - Eng/spn  
0414342**

<i>ITEM PART NO. DESCRIPTION</i>	<i>QTY</i>	<i>ITEM PART NO. DESCRIPTION</i>	<i>QTY</i>
01 1771174 Hatch, Escape Non-Static	1		



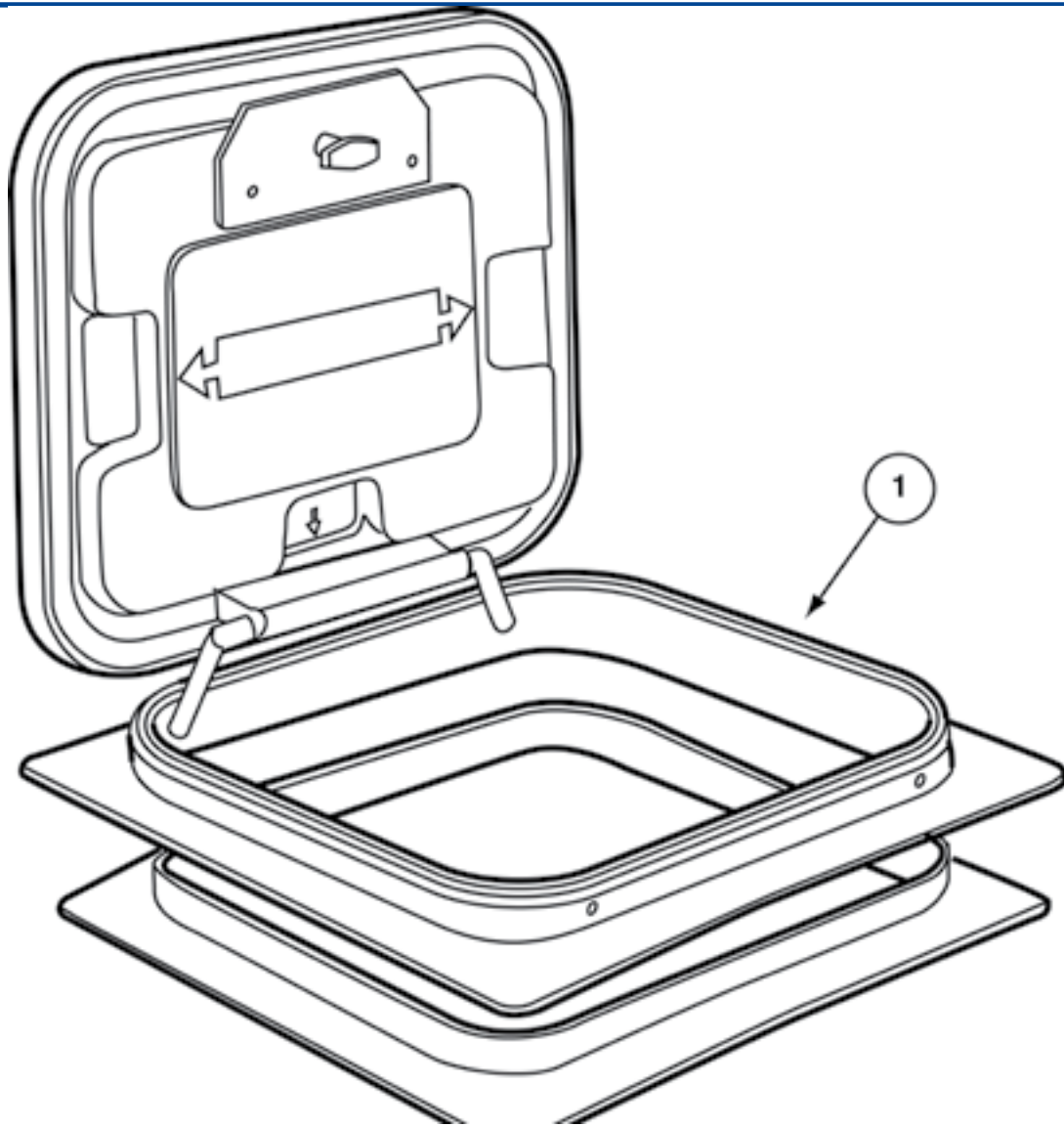
**escape hatch, deluxe**  
**cx0000074003**

<i>ITEM PART NO. DESCRIPTION</i>	<i>QTY</i>	<i>ITEM PART NO. DESCRIPTION</i>	<i>QTY</i>
01 1770657 Hatch, Excape W/Switch Outer RLS	1		
NS 8970397 Seal, Compri 1/8 x 3/4 x 45'	AR		



**ESCAPE HATCH**  
**CX0000074004**

<i>ITEM</i>	<i>PARTNO.</i>	<i>DESCRIPTION</i>	<i>QTY</i>	<i>ITEM</i>	<i>PARTNO.</i>	<i>DESCRIPTION</i>	<i>QTY</i>
01	1770663	HATCH,ESCAPENONSTATIC	1				
NS	8970397	SEAL, COMPRESSION (1/8 x 3/4 x 45)	AR				



**escape hatch standard contoured**  
**cx0000070006**

ITEM	PART NO.	DESCRIPTION	QTY	ITEM	PART NO.	DESCRIPTION	QTY
01	1770663	Hatch, Escape Non-Static	1				
N/S	8971058	Tape, Butyl Black .25" x 1.50" x 25"	A/R				



## Escape hatch standard contourEd 0403491

<i>ITEM PART NO. DESCRIPTION</i>	<i>QTY</i>	<i>ITEM PART NO. DESCRIPTION</i>	<i>QTY</i>
01 1770663 Hatch, Escape Non-Static	1		
NS 7970043 Sealant, Bostik 2100	AR		
NS 8971058 Tape, Butyl Black ¼" x 1½" x 25	AR		
NS 8570933 Screw, 8 x 1 Pan Quad T2 Clr EMP	28		



**escape hatch with power fan  
0410144**

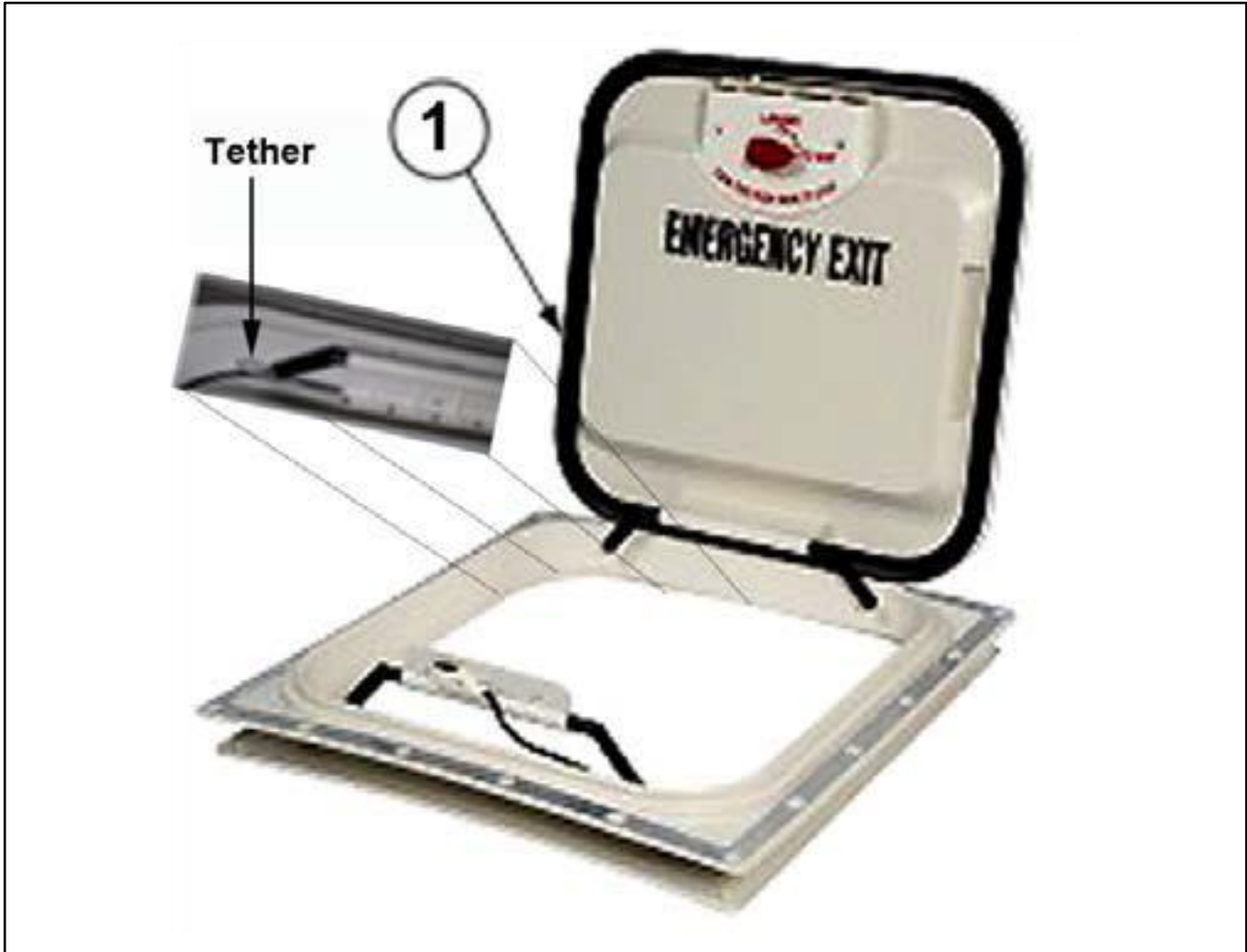
<i>ITEM PART NO. DESCRIPTION</i>	<i>QTY</i>	<i>ITEM PART NO. DESCRIPTION</i>	<i>QTY</i>
01 1770662 Hatch, Escape Power Fan	1		
NS 8970397 Seal, Compri 1/8 x 3/4 x 45'	AR		
NS 8570933 Screw, 8 x 1 Pan Quad T2 Clr EMP	28		
NS 7970043 Sealant, Bostik	AR		





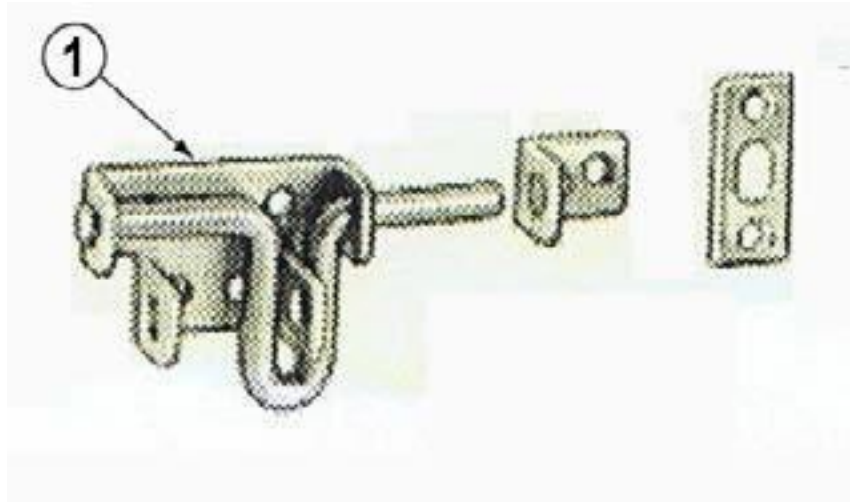
**PROLO ESCAPE HATCH**  
**0411750**

<i>ITEM</i>	<i>PARTNO.</i>	<i>DESCRIPTION</i>	<i>QTY</i>	<i>ITEM</i>	<i>PARTNO.</i>	<i>DESCRIPTION</i>	<i>QTY</i>
01	1770992	HATCH,ESCAPEPROLO#9245	1				



**ESCAPE HATCH W/TETHER & ALARM  
0421018**

<i>ITEM</i>	<i>PART NO.</i>	<i>DESCRIPTION</i>	<i>QTY</i>	<i>ITEM</i>	<i>PART NO.</i>	<i>DESCRIPTION</i>	<i>QTY</i>
01	0171961	Hatch, Escape Hatch W/Tether & Alarm	1				



**sliding bolt latch s/s large  
4970720**

<i>ITEM PART NO. DESCRIPTION</i>	<i>QTY</i>	<i>ITEM PART NO. DESCRIPTION</i>	<i>QTY</i>
01 4970720 Latch, Sliding Bolt S/S Large	2		



## SMALL BACKUP ALARM

**CH-000-900-0208 (REV-A) / CX0000070208**

ITEM	PART NO.	DESCRIPTION	QTY	ITEM	PART NO.	DESCRIPTION	QTY
01	3943396	Alarm Backup (Small)	1				
NS	3942299	TERMINAL, RING BLUE 16-14GA #10 STUD	3				
NS	3971314	WIRE, 14GA GXL WHITE - MARK #2	3				



**backup camera w/color 5.6" monitor  
0416401**

<i>ITEM PART NO.</i>	<i>DESCRIPTION</i>	<i>QTY</i>	<i>ITEM PART NO.</i>	<i>DESCRIPTION</i>	<i>QTY</i>
<b>0416401 Install, Camera Backup Color 5.6" Monitor</b>					
01	3974378 Monitor, LCD Color 5.6"	1			
02	3974507 Mount, Backup Camera	1			
03	3974339 Camera, Color Backup	1			
04	3974380 Cable, Camera Backup	1			
NS	3973365 Wire, 14ga GXL Black (Marked-#4)	60			
NS	3971935 Wire, 14GA GXL Red (Unmarked)	15			
NS	3973366 Wire, 14GA GXL White (Marked-#5)	75			
NS	3945656 Loom, 1/2" Split Nylon W/Stripe Hi-T	75			



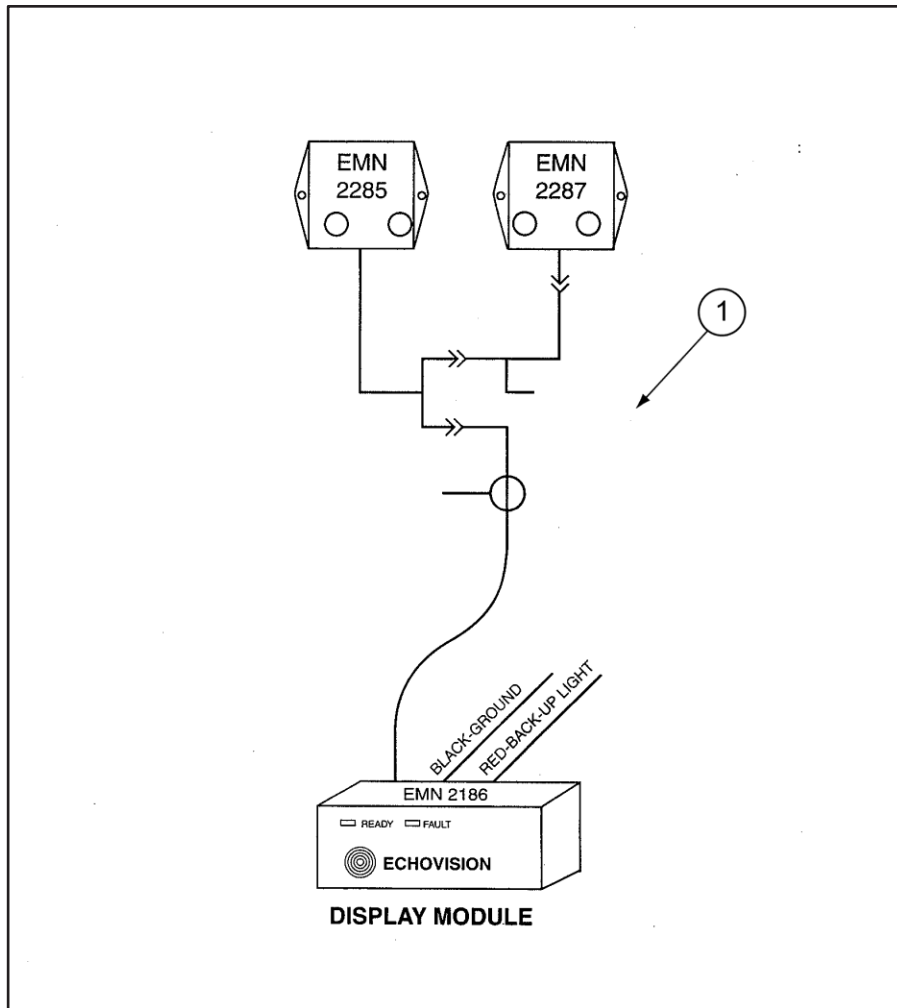
**Back-up camera system  
0420520**

<i>ITEM</i>	<i>PART NO.</i>	<i>DESCRIPTION</i>	<i>QTY</i>	<i>ITEM</i>	<i>PART NO.</i>	<i>DESCRIPTION</i>	<i>QTY</i>
01	3975602	Camera, Back-Up System W/7" Monitor	1				



## Backup camera - color 5.6" monitor Sr0000072981

ITEM	PART NO.	DESCRIPTION	QTY	ITEM	PART NO.	DESCRIPTION	QTY
1	3974339	Camera, Color Backup ASA	1				
2	3974378	Monitor, LCD Color 5.6" ASA	1				
3	3974380	Cable, Camera Backup ASA	1				



**back up alarm**  
**cx0000070046**

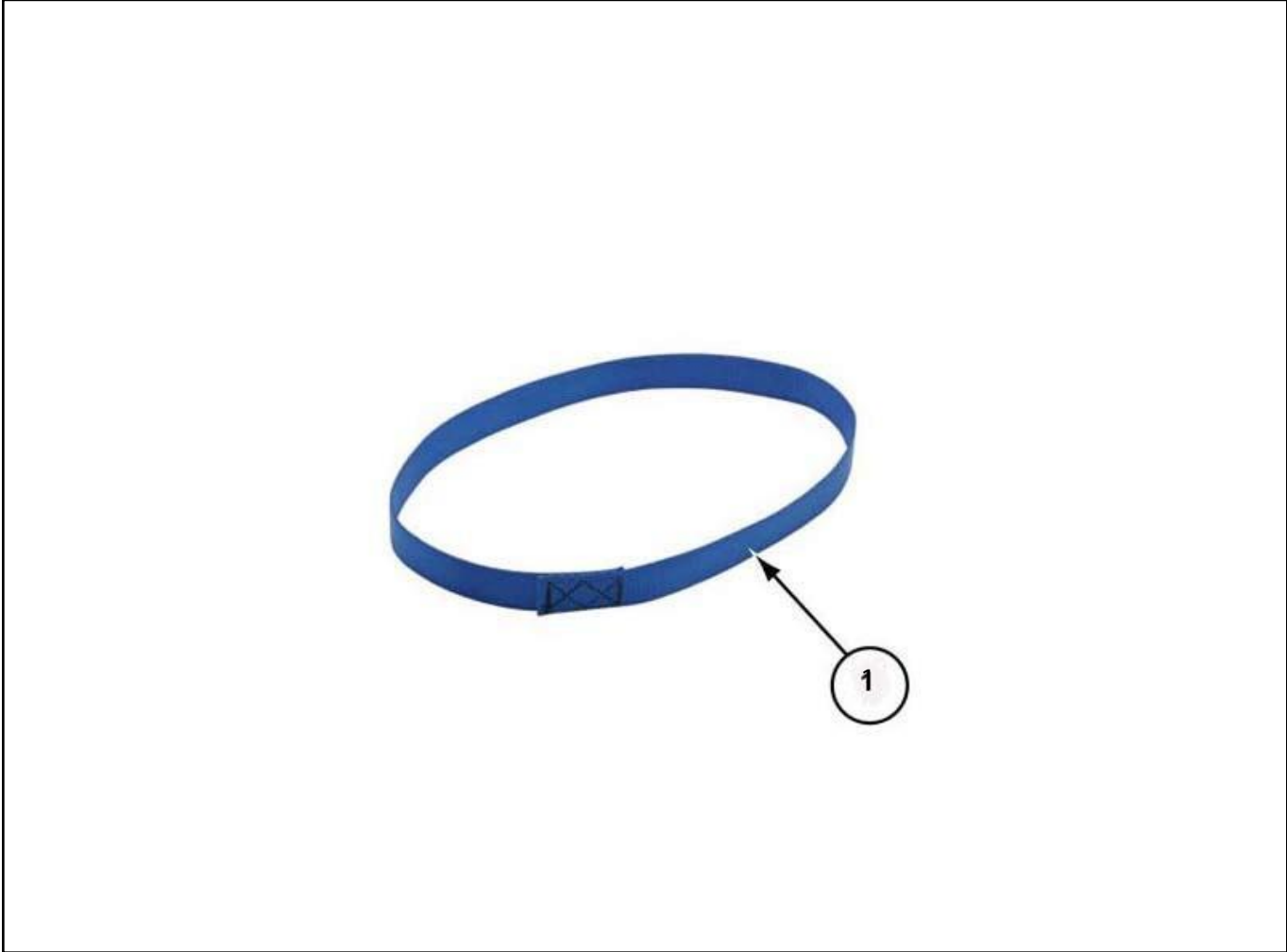
<i>ITEM PART NO. DESCRIPTION</i>	<i>QTY</i>	<i>ITEM PART NO. DESCRIPTION</i>	<i>QTY</i>
01 3972499E Alarm, Back-Up Echovision	1		





**SEAT BELT WEB CUTTERS**  
**CX-000-900-0613 / CX-000-999-0613/ CX0000070613**

<i>ITEM</i>	<i>PART NO.</i>	<i>DESCRIPTION</i>	<i>QTY</i>	<i>ITEM</i>	<i>PART NO.</i>	<i>DESCRIPTION</i>	<i>QTY</i>
01	7371405	CUTTER, TIEDOWN BELT (Q'STRAIT)	1				
NS	7371569	CUTTER, TIEDOWN BELT (SURE-LOK)	1				



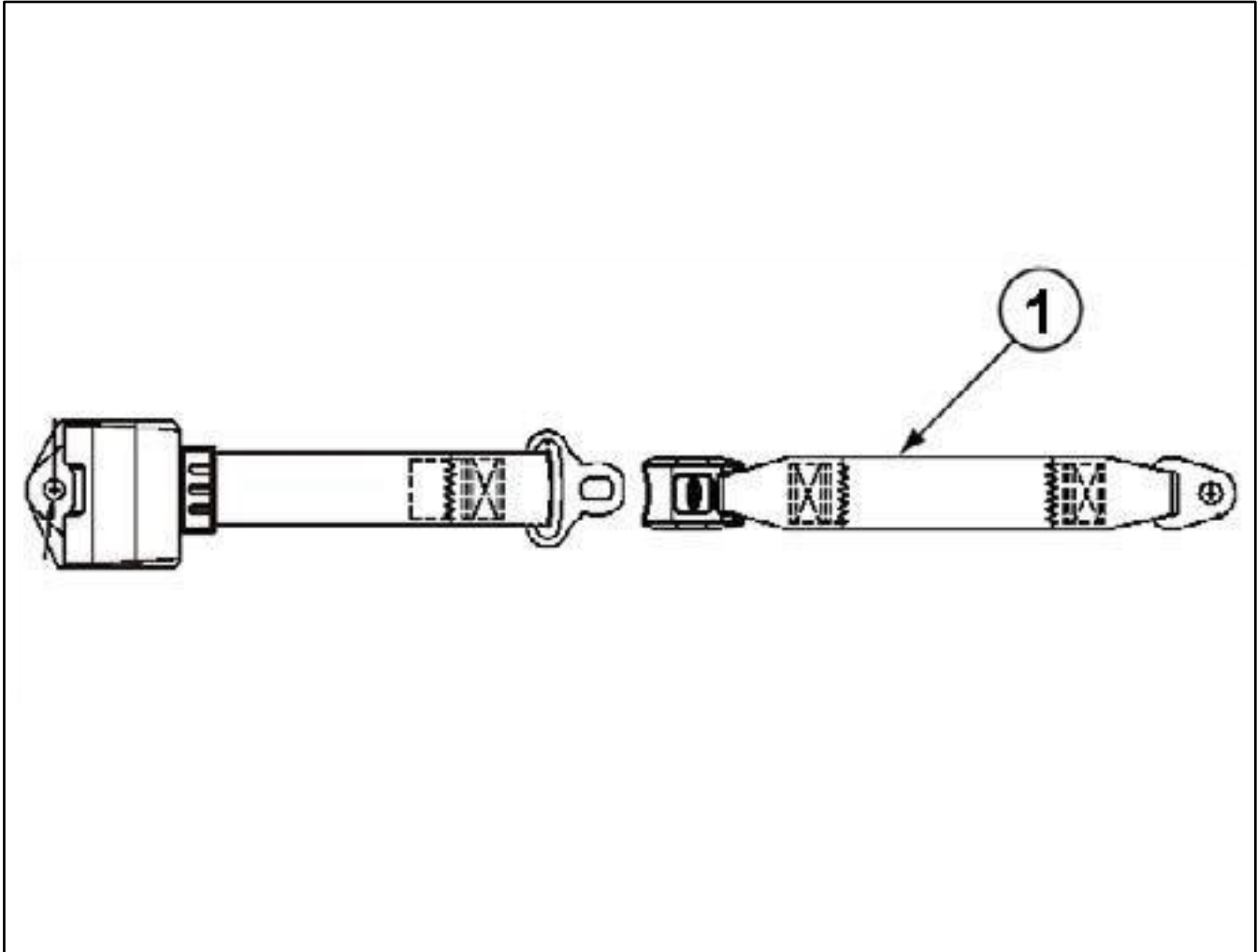
**Webbing loops**  
**0415014**

<i>ITEM PART NO. DESCRIPTION</i>	<i>QTY</i>	<i>ITEM PART NO. DESCRIPTION</i>	<i>QTY</i>
01 7371533 Loop, Webbing Q'-Straint	4		



**STANDARD SeAT belt**  
**CX-000-900-4013**

<i>ITEM</i>	<i>PART NO.</i>	<i>DESCRIPTION</i>	<i>QTY</i>	<i>ITEM</i>	<i>PART NO.</i>	<i>DESCRIPTION</i>	<i>QTY</i>
01	7371902	BELT, SEAT [BLACK 60"]	6				



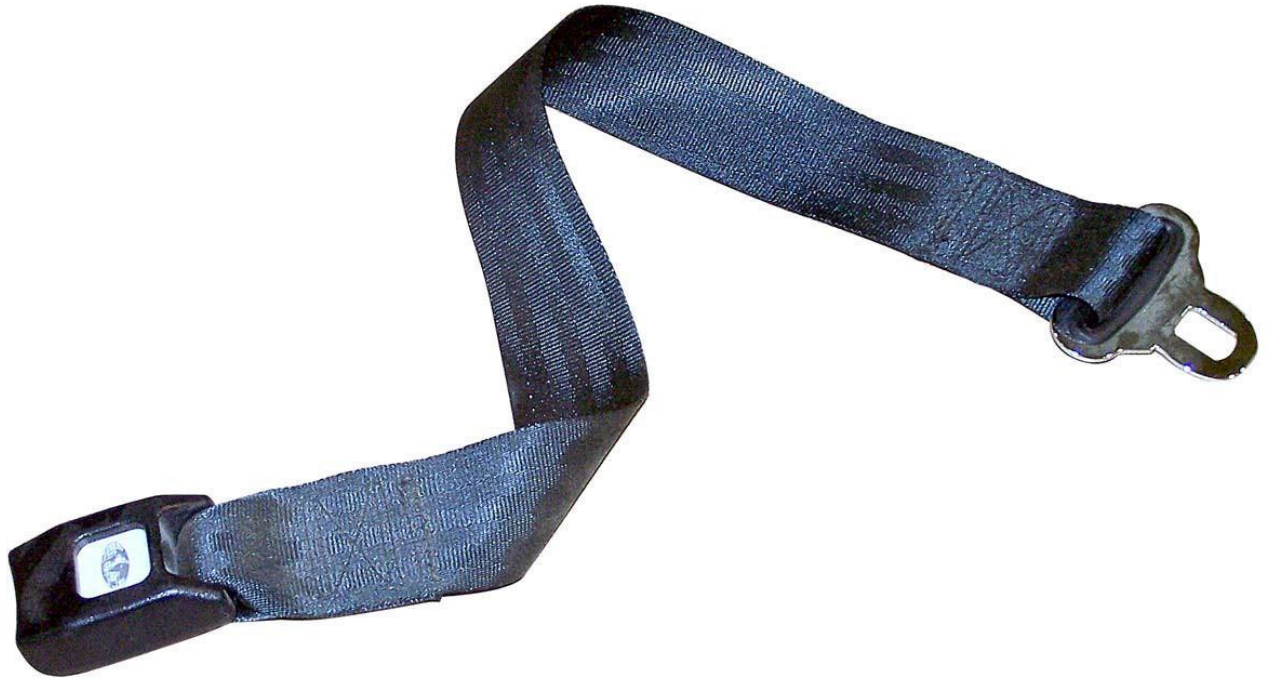
**Seat Belt BlaCK - 90"**  
**7371705**

<i>ITEM PART NO. DESCRIPTION</i>	<i>QTY</i>	<i>ITEM PART NO. DESCRIPTION</i>	<i>QTY</i>
01 7371705 BELT, SEAT BLACK 90"	AR		



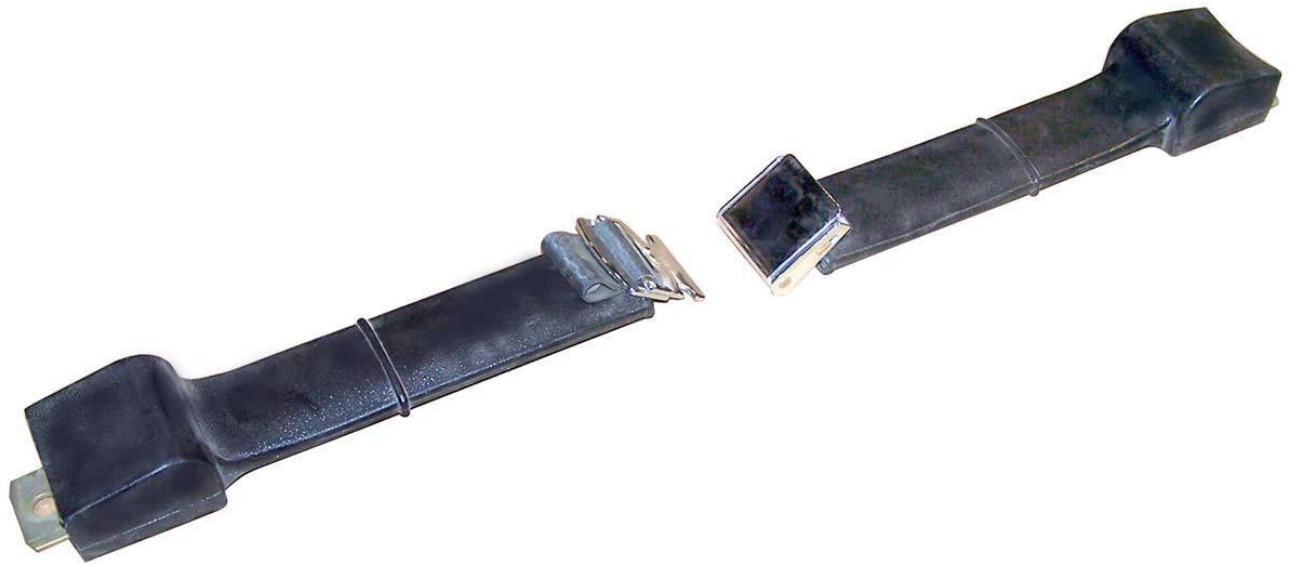
**SEAT BELT RETRACTOR (PER PASSENGER)**  
**CX-000-900-4014**

<i>ITEM PARTNO. DESCRIPTION</i>	<i>QTY</i>	<i>ITEM PARTNO. DESCRIPTION</i>	<i>QTY</i>
01 7371591 KIT, Q-STRAINTIEDOWN(Q-8105A1-L)	1		
NS 4570061 TRACK, ALUMINUM TIEDOWN w/o FLANGE	A/R		
NS 7371347 POUCH, Q-STRAINTIEDOWN (BLAACK/VINYL)	1		
NS 7371405 CUTTER, TIEDOWNBELT	1		



**24" SEAT BELT EXTENSION**  
**CX-000-900-0044**

<i>ITEM</i>	<i>PARTNO.</i>	<i>DESCRIPTION</i>	<i>QTY</i>	<i>ITEM</i>	<i>PARTNO.</i>	<i>DESCRIPTION</i>	<i>QTY</i>
01	7371082	EXTENSION, 24" SEATBELT	1				



**INSTALL 2-POINT RETRACTABLE SEAT BELT  
CX-000-900-4015**

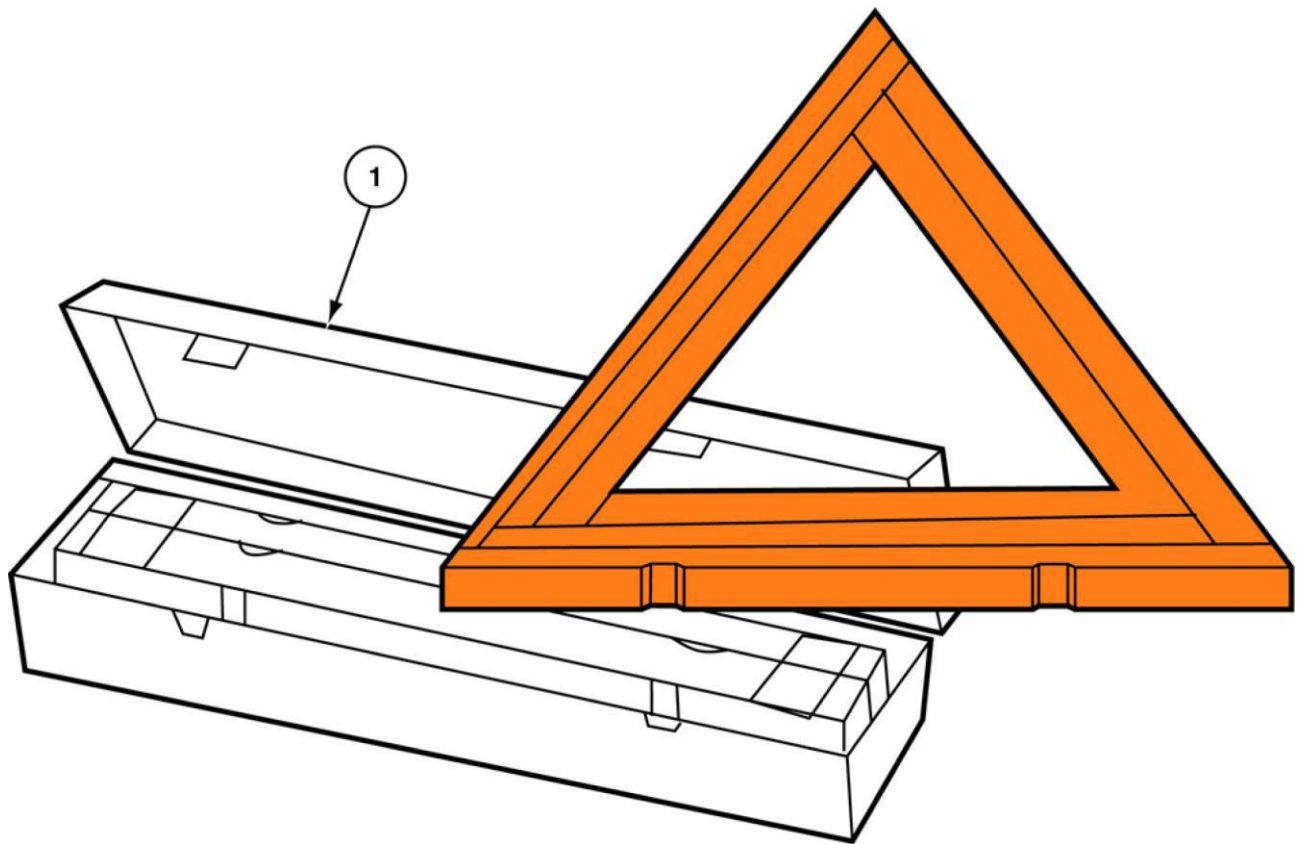
<i>ITEM</i>	<i>PARTNO.</i>	<i>DESCRIPTION</i>	<i>QTY</i>	<i>ITEM</i>	<i>PARTNO.</i>	<i>DESCRIPTION</i>	<i>QTY</i>
01	7371944	SEATBELT,2-POINT RETRACTABLELAP	1				



**seat belt, retractable - 2 pt foldaway**  
**cx-000-900-4015f**

ITEM	PART NO.	DESCRIPTION	QTY	ITEM	PART NO.	DESCRIPTION	QTY
01	7371546	Belt, Seat 2 PT Retract	1				
N/S	0377616	Bracket, Seat Belt Center	A/R				
N/S	8571273	Nut, Spring Unistruct P-1009	A/R				

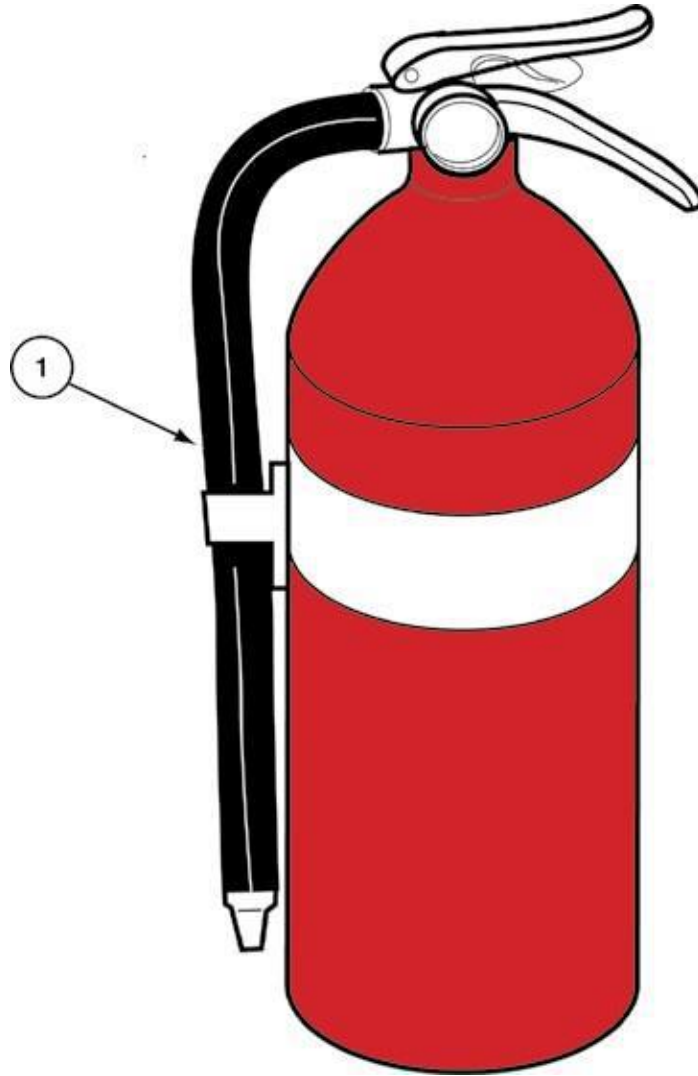




## reflective warning triangle

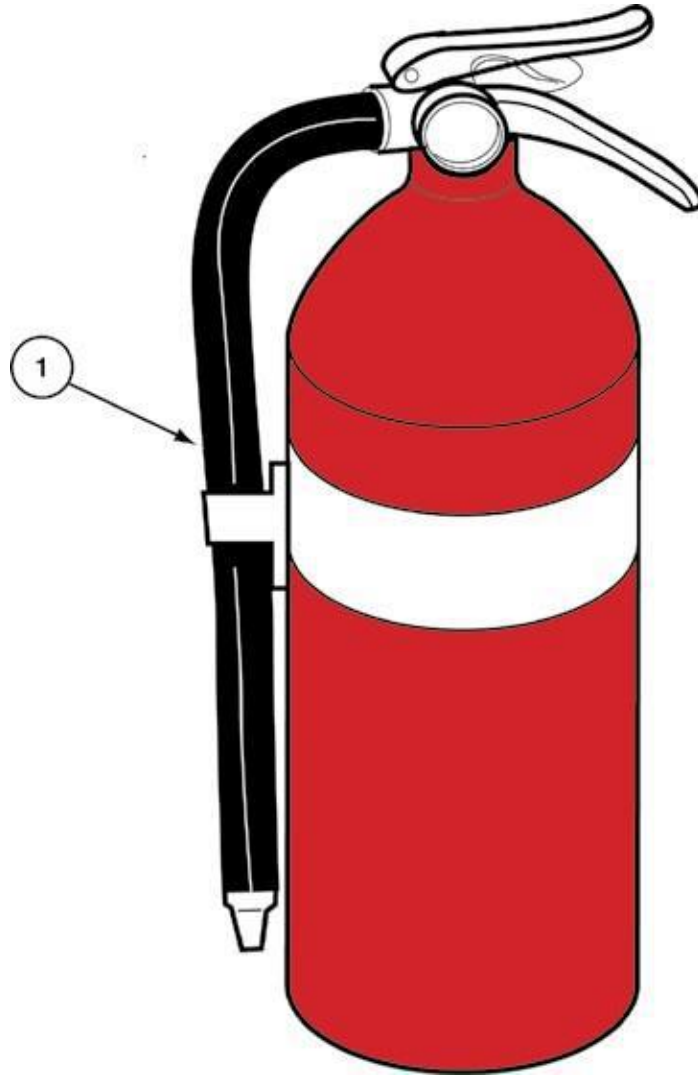
cX0000072827 / CX-000-900-2827

<i>ITEM</i>	<i>PART NO.</i>	<i>DESCRIPTION</i>	<i>QTY</i>	<i>ITEM</i>	<i>PART NO.</i>	<i>DESCRIPTION</i>	<i>QTY</i>
01	6140792	KIT, TRIANGLE WARNING #449	1				
N/S	8570715	SCREW (10 x 5/8 PAN PHIL BLACK OXIDE)	4				
N/S	8570743	SCREW (10 x 3/4 PAN QUADREX BLACK)	4				



**5 LB FIRE EXTINGUISHER**  
**CX-000-900-0603/CX0000070603**

ITEM	PART NO.	DESCRIPTION	QTY	ITEM	PART NO.	DESCRIPTION	QTY
01	6170108	Extinguisher, Fire (5 lb.)	1				
N/S	8570945	Screw (10x3/4 Pan Quad)	4				



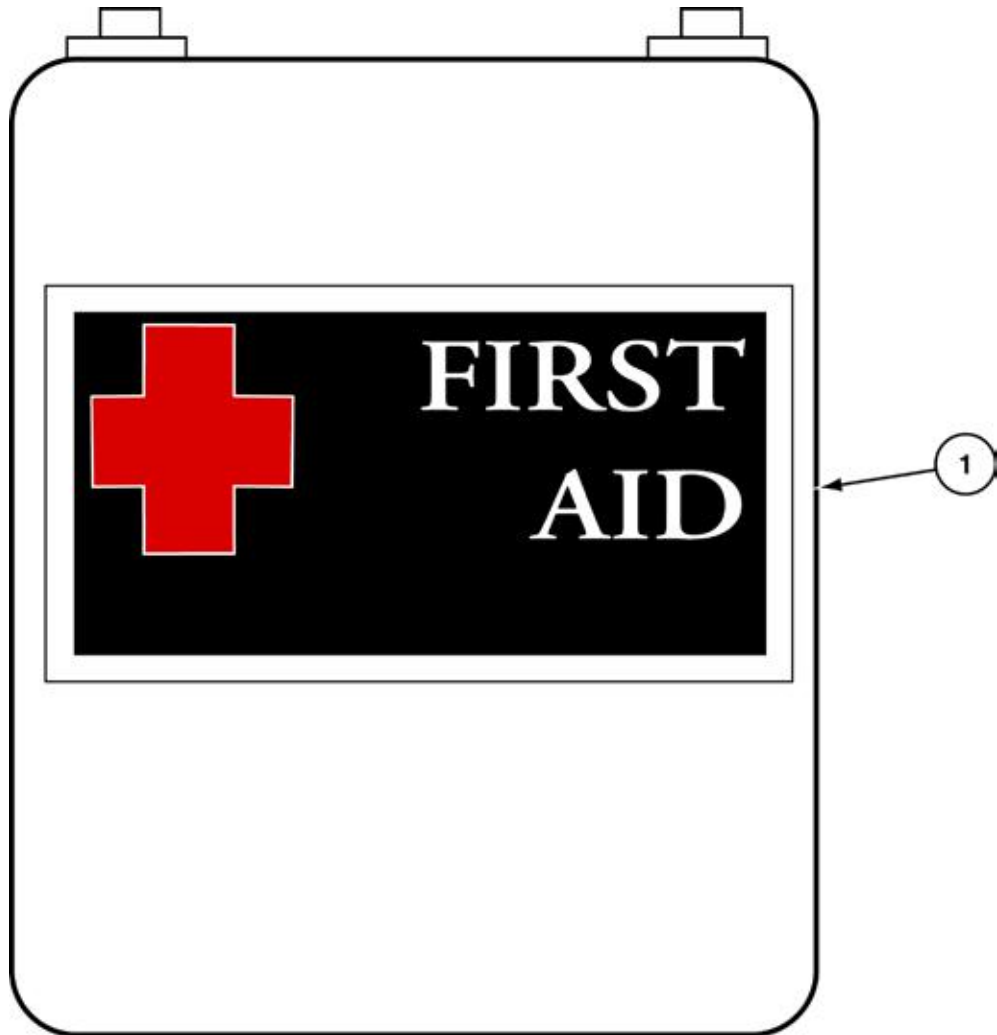
**10 LB FIRE EXTINGUISHER**  
**CX-000-900-3034/CX0000073034**

ITEM	PART NO.	DESCRIPTION	QTY	ITEM	PART NO.	DESCRIPTION	QTY
01	6170110	Extinguisher, Fire (10 lb.)	1				
N/S	6170109	Bracket, Extinguisher	1				
N/S	8570931	Screw (8x1) Pan Quad Tek Clear Empiguard	1				



**fire extinguisher with cover**  
**0413389 (rev-a)**

<i>ITEM</i>	<i>PART NO.</i>	<i>DESCRIPTION</i>	<i>QTY</i>	<i>ITEM</i>	<i>PART NO.</i>	<i>DESCRIPTION</i>	<i>QTY</i>
1	6170516	COVER, FIRE EXTINGUISHER 20LB	1				
2	6170387	EXTING. FIRE 20LB DRY CHEMICAL	1				



**FIRST AID KIT (13 UNITS)**

**CX-000-900-0604/CX000070604**

ITEM	PART NO.	DESCRIPTION	QTY	ITEM	PART NO.	DESCRIPTION	QTY
01	6140784	Kit, First Aid Small With Bus Fill	1				
N/S	8570946	Screw (1"x1/2) Pan Quad EMPGD Clear	3				



**LARGE FIRST AID KIT**  
**CX0000073036 - CX-000-900-3036**

ITEM	PART NO.	DESCRIPTION	QTY	ITEM	PART NO.	DESCRIPTION	QTY
01	6140719	KIT, FIRST AID (LARGE)	1				



**bio hazard kit**  
**0412189**

<i>ITEM</i>	<i>PART NO.</i>	<i>DESCRIPTION</i>	<i>QTY</i>	<i>ITEM</i>	<i>PART NO.</i>	<i>DESCRIPTION</i>	<i>QTY</i>
01	6170353	KIT, BIO-HAZARD (2555 OVERSIZED)	1				



**5 quart sharps container  
0422557**

<i>ITEM</i>	<i>PART NO.</i>	<i>DESCRIPTION</i>	<i>QTY</i>	<i>ITEM</i>	<i>PART NO.</i>	<i>DESCRIPTION</i>	<i>QTY</i>
01	6170715	Container, Sharps 5 Quart	1				





**BLOODBORNE DISEASE KIT**  
**CX-000-900-4035 / CX0000074035**

<i>ITEM</i>	<i>PART NO.</i>	<i>DESCRIPTION</i>	<i>QTY</i>	<i>ITEM</i>	<i>PART NO.</i>	<i>DESCRIPTION</i>	<i>QTY</i>
01	6170139	KIT, BODILY FLUIDS DISPOSAL #2550	1				



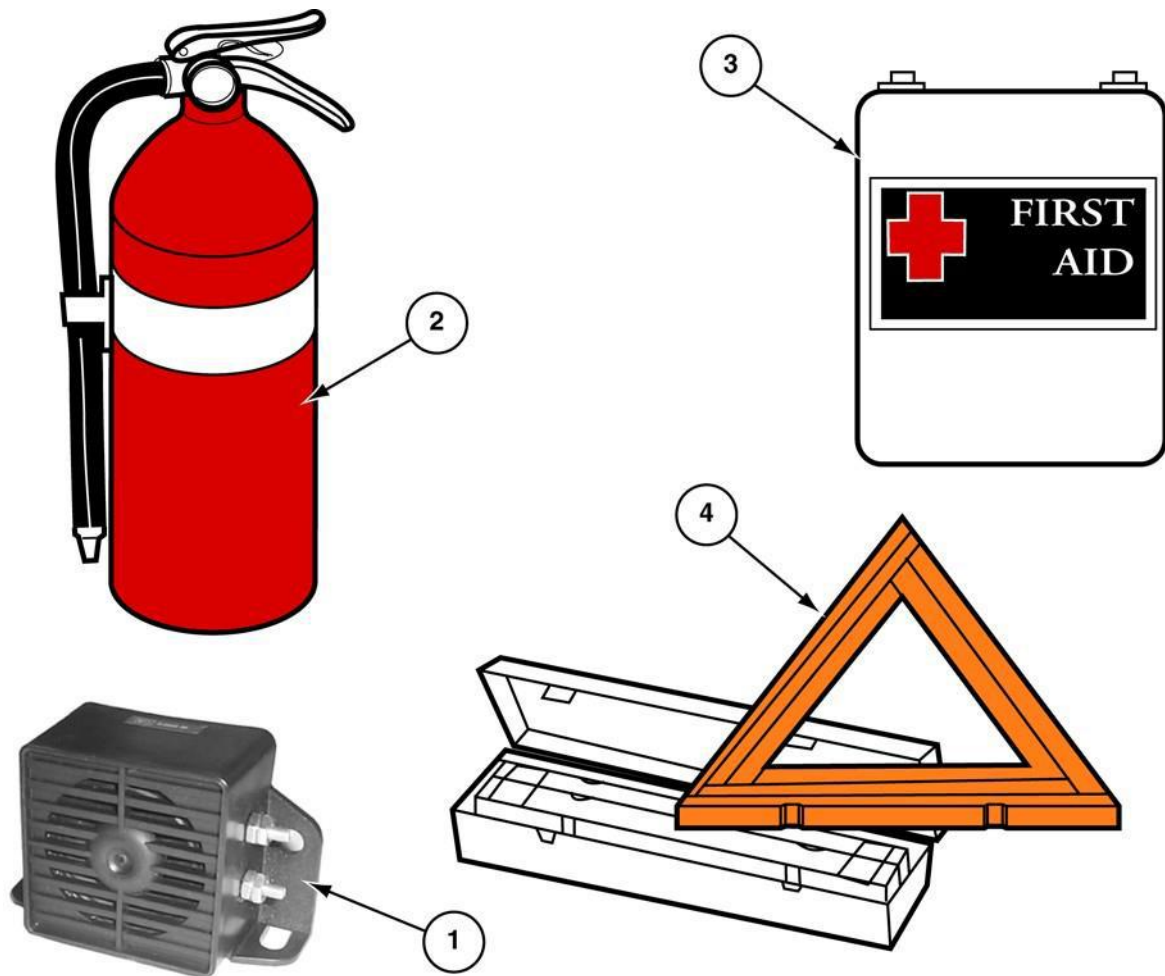
## Fireproof blanket w/ pouch 0412187

<i>ITEM PART NO. DESCRIPTION</i>	<i>QTY</i>	<i>ITEM PART NO. DESCRIPTION</i>	<i>QTY</i>
01 6170352 Install, Blanket Fireproof W/ Pouch	1		



**SAFETY VEST CLASS 1, ORANGE  
0417527**

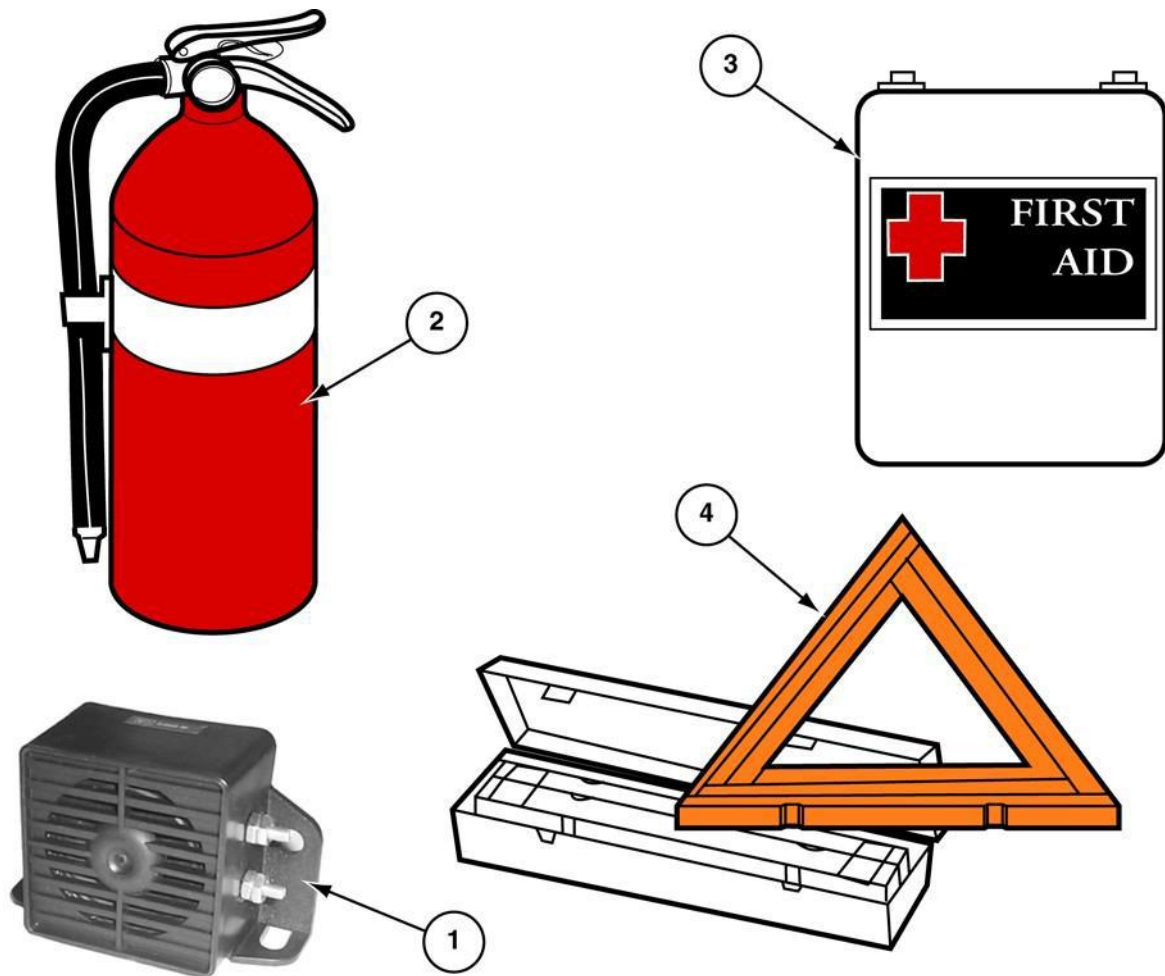
<i>ITEM PART NO. DESCRIPTION</i>	<i>QTY</i>	<i>ITEM PART NO. DESCRIPTION</i>	<i>QTY</i>
01 6170552 Safety, Vest Class-1, XXXL Orange	1		



## INSTALL SAFETY PACKAGE I

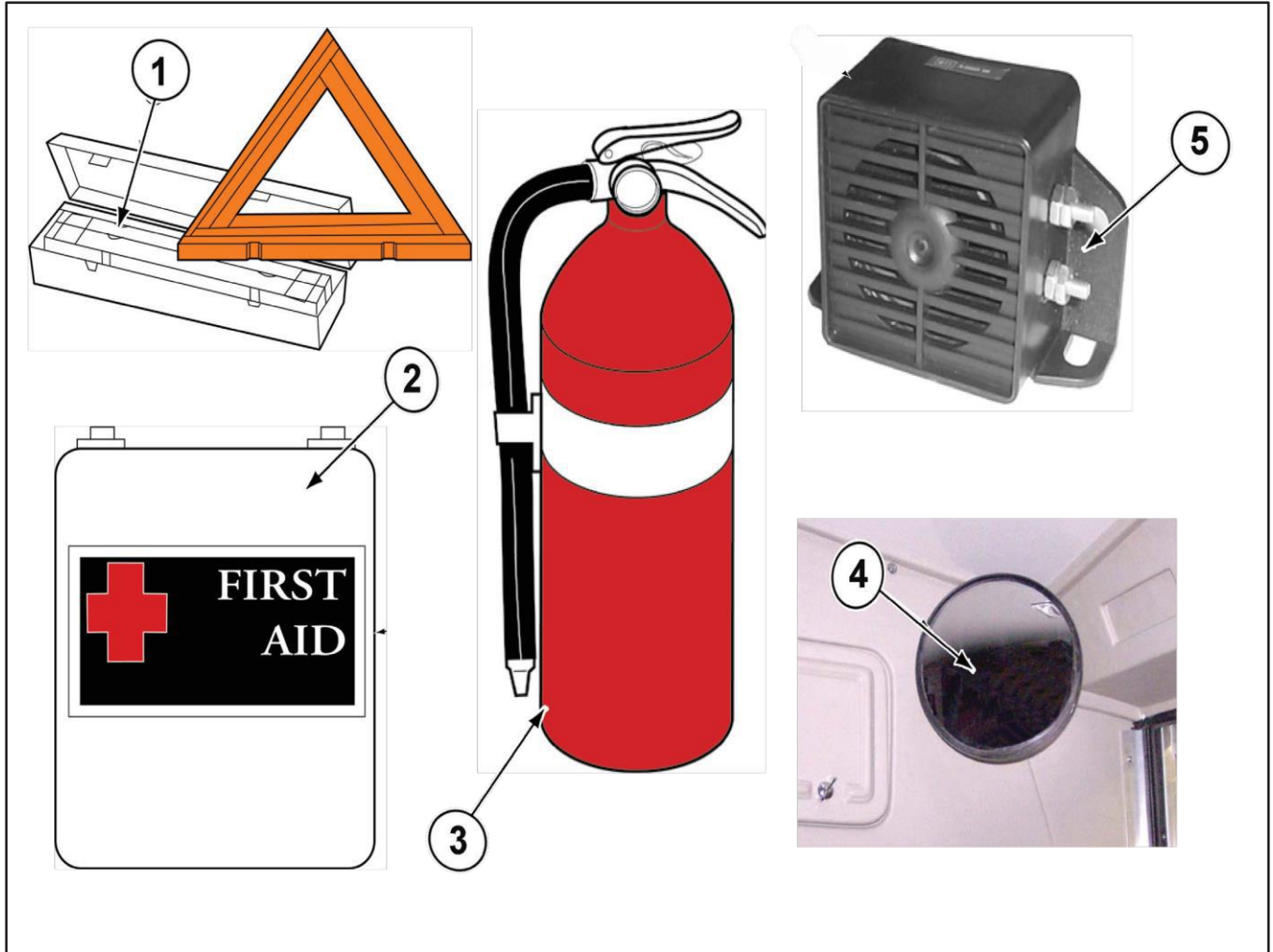
### CH-000-900-5401

ITEM	PARTNO.	DESCRIPTION	QTY	ITEM	PARTNO.	DESCRIPTION	QTY
01	3943396	ALARM, BACKUP(#230)	1				
2	6170108	EXTINGUISHER, FIRE (5LB)	1				
3	6140784	KIT, FIRSTAID (SMALL)	1				
4	6140792	KIT, WARNING TRIANGLE	1				



**INSTALL SAFETY PACKAGE I**  
**CX0000075403**

<i>ITEM</i>	<i>PARTNO.</i>	<i>DESCRIPTION</i>	<i>QTY</i>	<i>ITEM</i>	<i>PARTNO.</i>	<i>DESCRIPTION</i>	<i>QTY</i>
01	3943396	ALARM, BACKUP(#230)	1				
2	6170108	EXTINGUISHER, FIRE (5LB)	1				
3	6140784	KIT, FIRSTAID (SMALL)	1				
4	6140792	KIT, WARNING TRIANGLE	1				

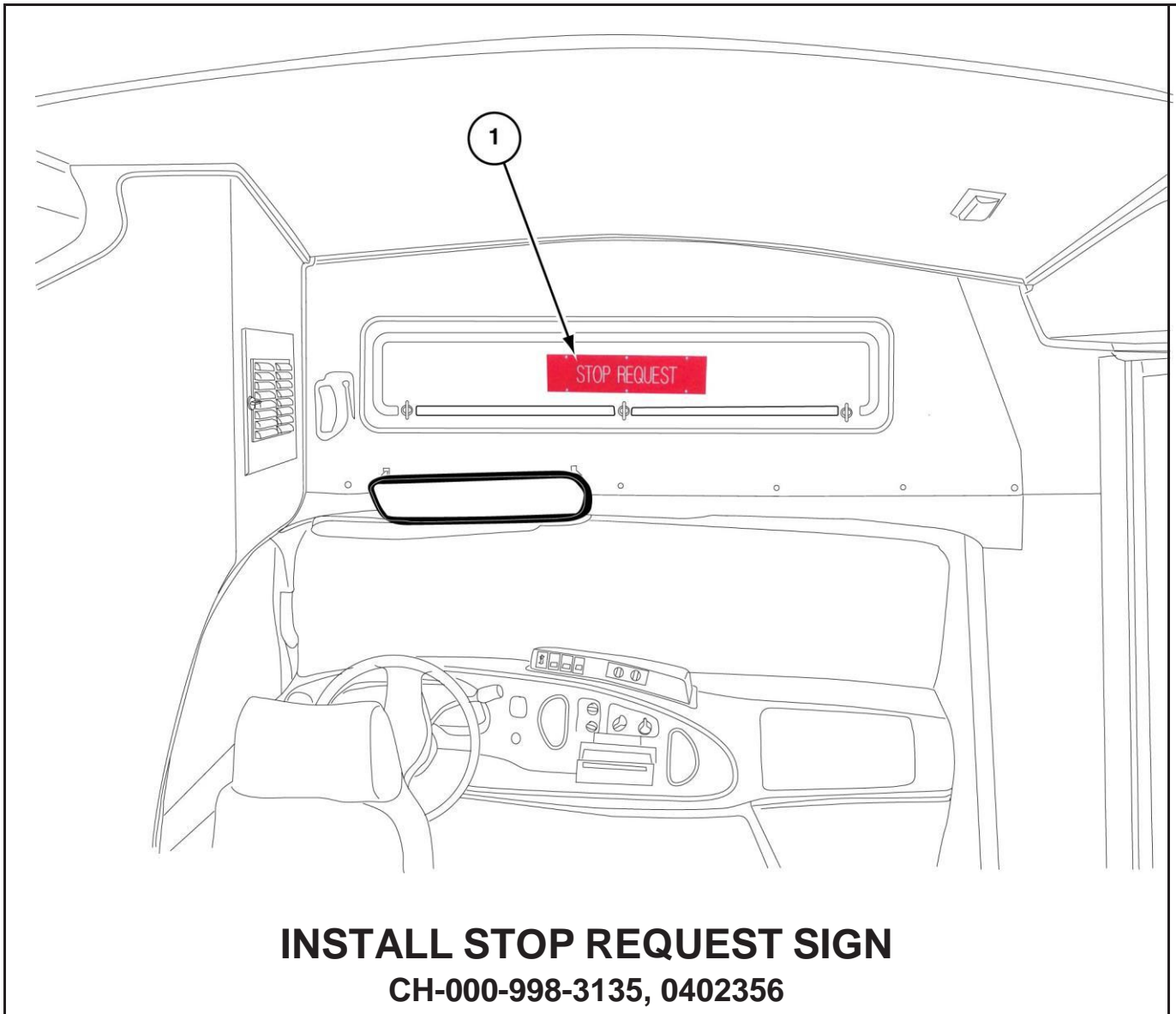


## Safety package 3

**cx0000075405**

<i>ITEM PART NO. DESCRIPTION</i>	<i>QTY</i>	<i>ITEM PART NO. DESCRIPTION</i>	<i>QTY</i>
01 6140792 Flare Kit, Reflector	1	NS 0409486 Stanchion, Driver's Barrier 2002	1
2 6140719 Kit, First Aid Large (24 Unit)	1	NS 0416663 Stanchion, Entry Door ABS W/Reinf.	1
3 6170110 10 LB Fire Extinguisher	1		
6170109 Bracket, Fire Ext. 10LB	1	<b>NS CH-000-900-3111 White Standee Line</b>	
4 6170039 Mirror, Head Convex	1	1570263 Standee, White .19 x 29.38 x 2 Ribbed	1
0373597 Bracket, 9" Convex Int. Mirror	1	8980583 Label, Standing Forward of White Line	1
5 3943396 Back-Up Alarm, Small	1	4342879 Steel, Coil .021 x 36 Painted	AR
		NS 6170246 Pad, Stanchion Black 36"	3

**NOTE:** See more detailed information for the Driver's Stanchion, Entry Door Stanchion, and White Standee Line on the following 3 pages.



<i>ITEM</i>	<i>PART NO.</i>	<i>DESCRIPTION</i>	<i>QTY</i>	<i>ITEM</i>	<i>PART NO.</i>	<i>DESCRIPTION</i>	<i>QTY</i>
01	8970542	SIGN, STOP REQUEST (LENS ONLY)	1				
N/S	3370798	GUARD, DOOR EDGE (150")	A/R				
N/S	8970528	TAPE, DOUBLE SIDED	A/R				
N/S	0374764	BRACKET, LIGHT MOUNTING	1				
N/S	3971415	BULB, SIDE MARKER	4				
N/S		SOCKET, SINGLE CONTACT PUSH-N	4				
N/S	3971798	LENS, EAO	1				
N/S	3971799	LENS, EAO	1				
N/S	3971797	SWITCH, DRIVERS RESET	1				
N/S	3971718	RELAY, NO/NC 12V 20/30A	1				



## FRESNAL LENS CX-000-900-3242

<i>ITEM PART NO. DESCRIPTION</i>	<i>QTY</i>	<i>ITEM PART NO. DESCRIPTION</i>	<i>QTY</i>
01 5941612 Lens, Wide Angle Rear Window	1		





## canadian dot package cx000mj70317 / cx000nH70317

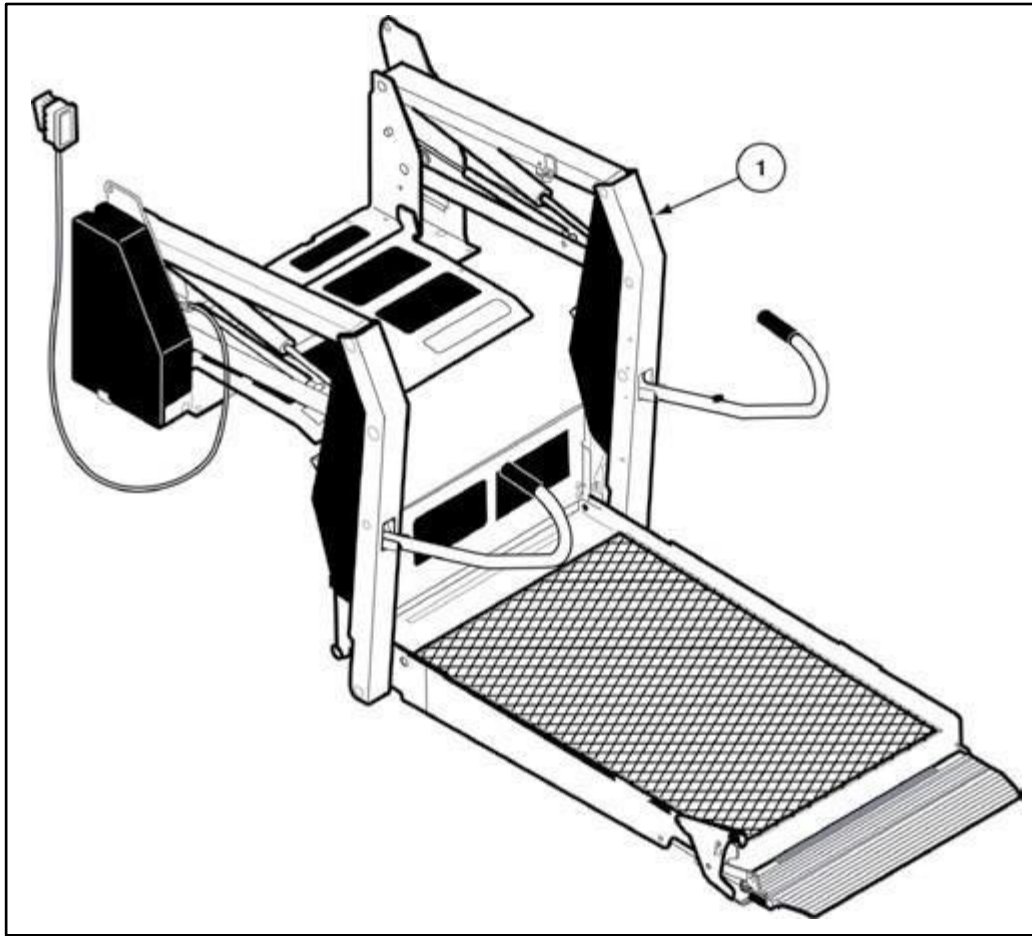
ITEM PART NO. DESCRIPTION	QTY	ITEM PART NO. DESCRIPTION	QTY
<b>0402777 CLEARANCE LITE RED 2.5" ROUND</b>		<b>CX-000-900-0416 DAYTIME RUNNING LIGHTS (CAN-DOT)</b>	
1 3971690 LIGHT, CLEARANCE 2.5" RED ROUND	2	06 3971964 Module, Daytime Running Light	1
2 3971691 GROMMET, MNT KIT 2.5" CLR LIGHT	2	NS 3970753 Terminal,	2
<b>CX-000-900-3102 SIDE DIRECTIONAL LIGHTS</b>		NS 3970746 Connector, In-Line Fuse Holder	1
3 3971879 LIGHT, SEALED SIDE MARKER/TURN AMBER	2	NS 3970738 Cover, In-Line Fuse Holder	1
05 3971517 P-CLAMP, VINYL COATED STEEL 5/8	3	NS 3971528 Base, Relay Packard	1
07 3974514 REFLECTOR, RECTANGULAR AMBER	2	NS 3971529 Terminal, Relay Base	5
<b>0418877 INSTALL, RED MARKER LIGHT</b>		NS 3942299 Terminal, Ring Insul 16-14GA#10	6
04 3975255 LIGHT, RED MARKER	1	<b>0403305 INSTALL, BI-LINGUAL EXIT LABELS (CAN DOT)</b>	
3974689 GUARD, LIGHT FRT CLEARANCE BLK METAL	1	NS 8970691 LABEL, EGRESS WINDOW SIGN BILINGUAL	2
3975256 GUARD, RED MARKER LIGHT	1	NS 0171014 Speedometer, Metric Canadian	1
3975390 PIGTAIL, LED 18" MARKER			



**CHAMPION**  
**BUS, INC.**  
Thor Industries Commercial Bus Division

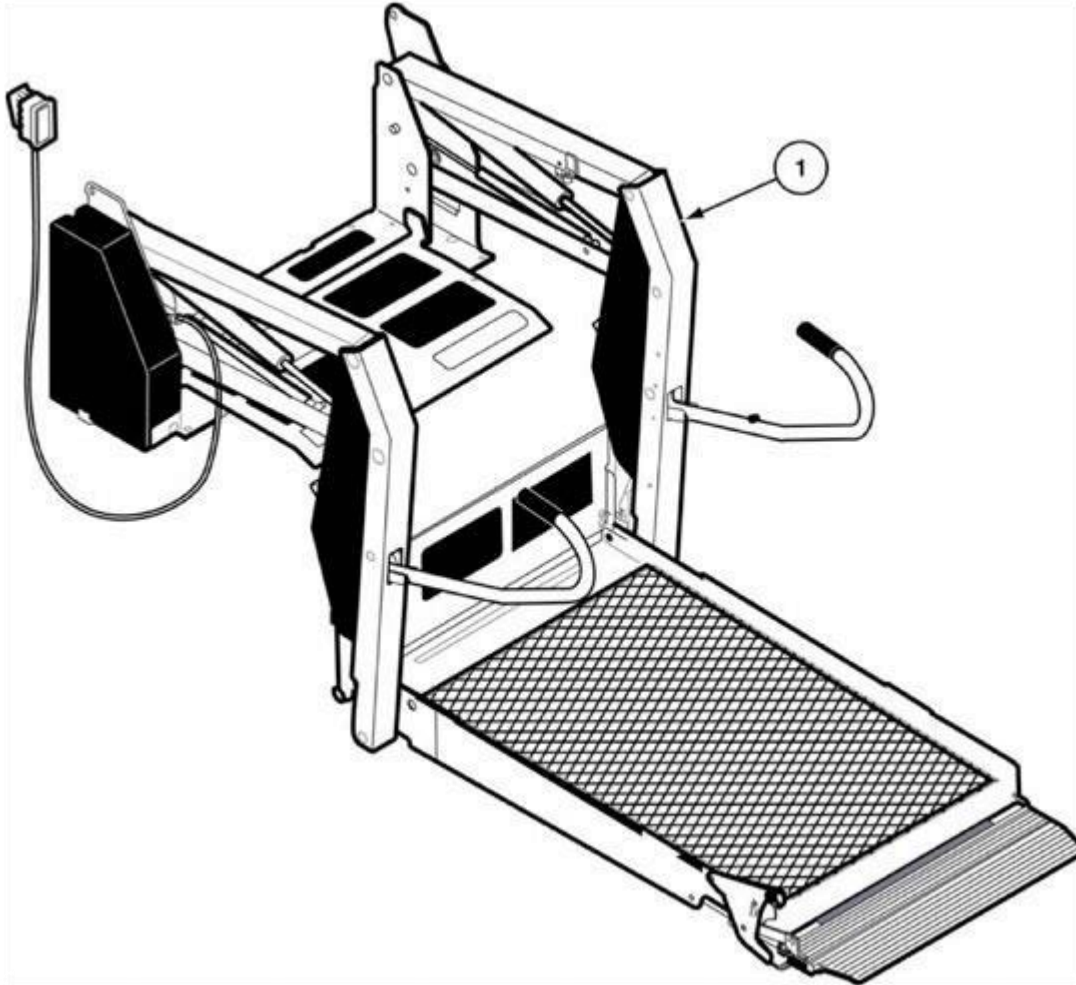
# **SECTION 10:**

# **OpTIONal EquipmENT**



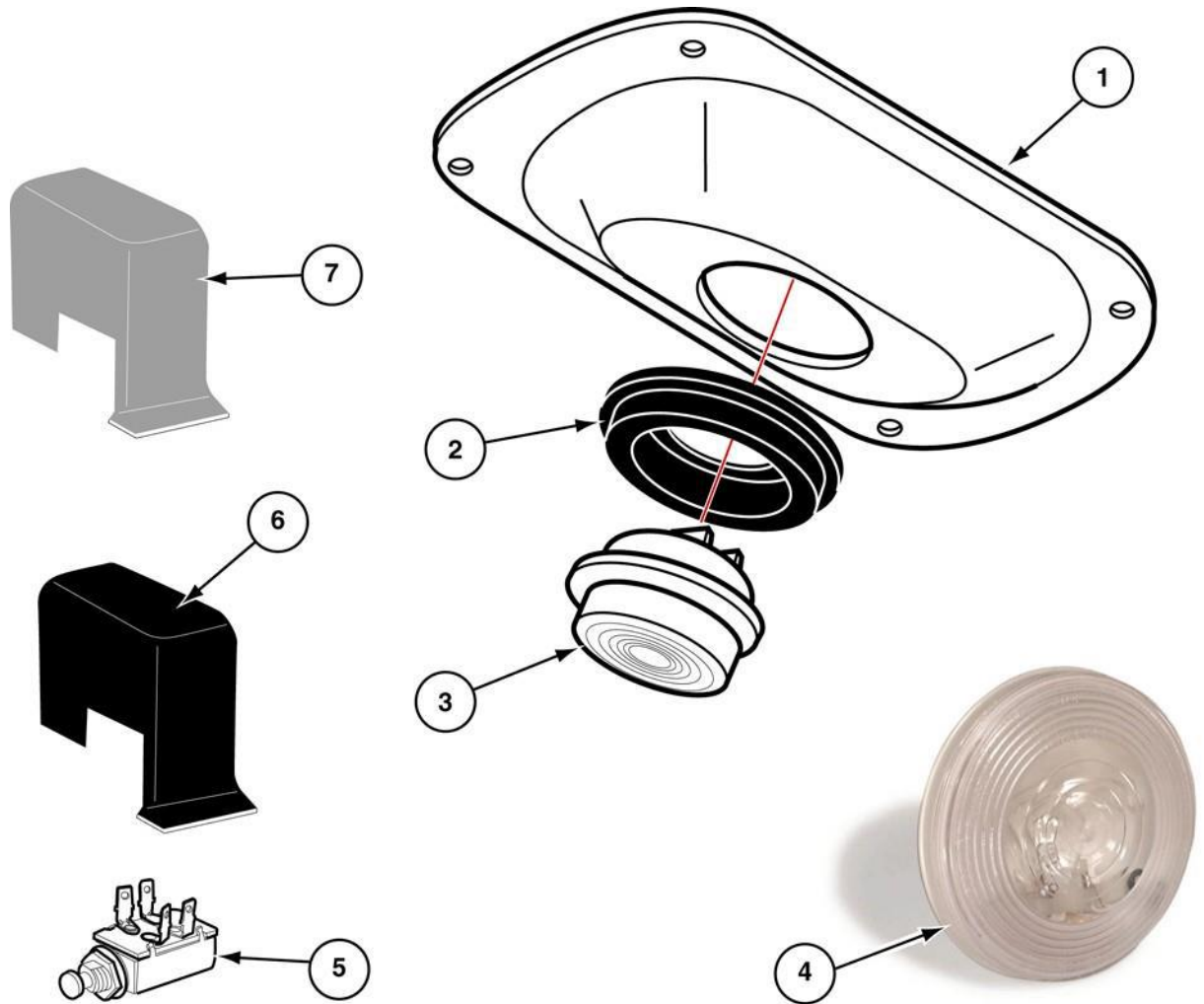
## BRAUN LIFT, CENTURY NCL919 CHEVY FL0000065517 / 0416605

<i>ITEM PART NO. DESCRIPTION</i>	<i>QTY</i>	<i>ITEM PART NO. DESCRIPTION</i>	<i>QTY</i>
01 3974327 Lift, Braun NCL919 (F) IB-2 FDOT	1		
NS 3973357 Enclosure, Braun Circuit Breaker Ext	1		
NS 3971517 Clamp, Vinyl Coated Steel 5/8	3		
NS 3972777 Harness, Lift Std CH/CR	1		
NS 3973696 Kit, Padding Braun Lift FDOT	1		
NS 0375845 Steel, Flat 11GA 6 x 120 HRS	1		
NS 3971323 Cable, Battery, 2GA Red SGX	30		
NS 3945656 Loom, 1/2" Split Nylon W/Stripe HiT	30		
NS 8940561 Decal, Paratransit 8.75 x 8.75	1		
NS 3971515 Grommet, 2-1/8" x 1-3/16" ID	3		
NS 3975292 Bracket, Braun Hand Control FDOT	1		



## Install, Lift Braun nl919 Df000065517 - 0413794

<i>ITEM PART NO. DESCRIPTION</i>	<i>QTY</i>	<i>ITEM PART NO. DESCRIPTION</i>	<i>QTY</i>
<b>DF000065517 LIFT PKG BRAUN NL919</b>			
<b>0413794 Install, Lift Braun NL919 403/404</b>			
01 3973931 Lift, Braun NL 919 FIBHB (403/4)	1		
N/S 0414025 Placement, Lift Structure NL919	1		
N/S 3973357 Enclosure, Braun Circuit Breaker	1		
N/S 3972777 Harness, Lift STD	1		
N/S 3971517 Clamp, Vinyl Coated Steel 5/8	1		
N/S 3971517 Grommet, 2-1/8" x 1-3/16" ID	2		
N/S 0375845 Steel, Flat 11GA 6 X 129 HRS	1		
N/S 3974161 Module, Interlock InPower	1		
N/S 3974195 Module, LED Display Interlock InPower	1		
N/S 3975257 Interlock, GM/INT'L/FTL NY DOT	1		



## LIFT DOOR ACTUATED LIGHTING

CH00FU65515 / CX-000-900-3162

<i>ITEM PARTNO. DESCRIPTION</i>	<i>QTY</i>	<i>ITEM PARTNO. DESCRIPTION</i>	<i>QTY</i>
01 3371024 BEZEL, 4" ROUND INTERIOR LIFT LIGHT	1		
02 3972986 GROMMET, 4" DIA.	1		
3 3971914 LIGHT, 4" ROUND INTERIOR LIFT	1		
4 3971447 LIGHT, CLEAR	1		
5 3971963 SWITCH, DOOR POST JAMB (N/C)	1		
6 3371079 COVER, JAMB SWITCH	1		
7 3371674 COVER, LIFT DOOR SWITCH (GRAY)	1		



## DOOR ACTIVATED ENTRANCE LIGHTING

### CH000FU65515 / CX-000-900-3174

<i>ITEM PARTNO. DESCRIPTION</i>	<i>QTY</i>	<i>ITEM PARTNO. DESCRIPTION</i>	<i>QTY</i>
1 3971447 LIGHT, ROUND BACKUP	2		
2 3943917 LIGHT, WITHOUT SWITCH	1		
03 3971470 BULB (1141)	1		
04 3971448 LIGHT, COURTESY (M434)	2		
NS 8570943 SCREW (8x3/4 PANQUAD)	4		
NS 3971963 SWITCH, DOORPOST JAMB (NC)	2		
NS 3971471 GROMMET, TAIL LIGHT RUBBER	1		

**FORWARD FACING  
WHEELCHAIR SECUREMENT LOCATION**



**whEELChAir LOCATiON SigN (AdA)  
CH000FU65515 / Cx-000-900-3173**

<i>ITEM PART NO. DESCRIPTION</i>	<i>QTY</i>	<i>ITEM PART NO. DESCRIPTION</i>	<i>QTY</i>
01 8970800 LABEL,FWD FACING WHEELCHAI	1		

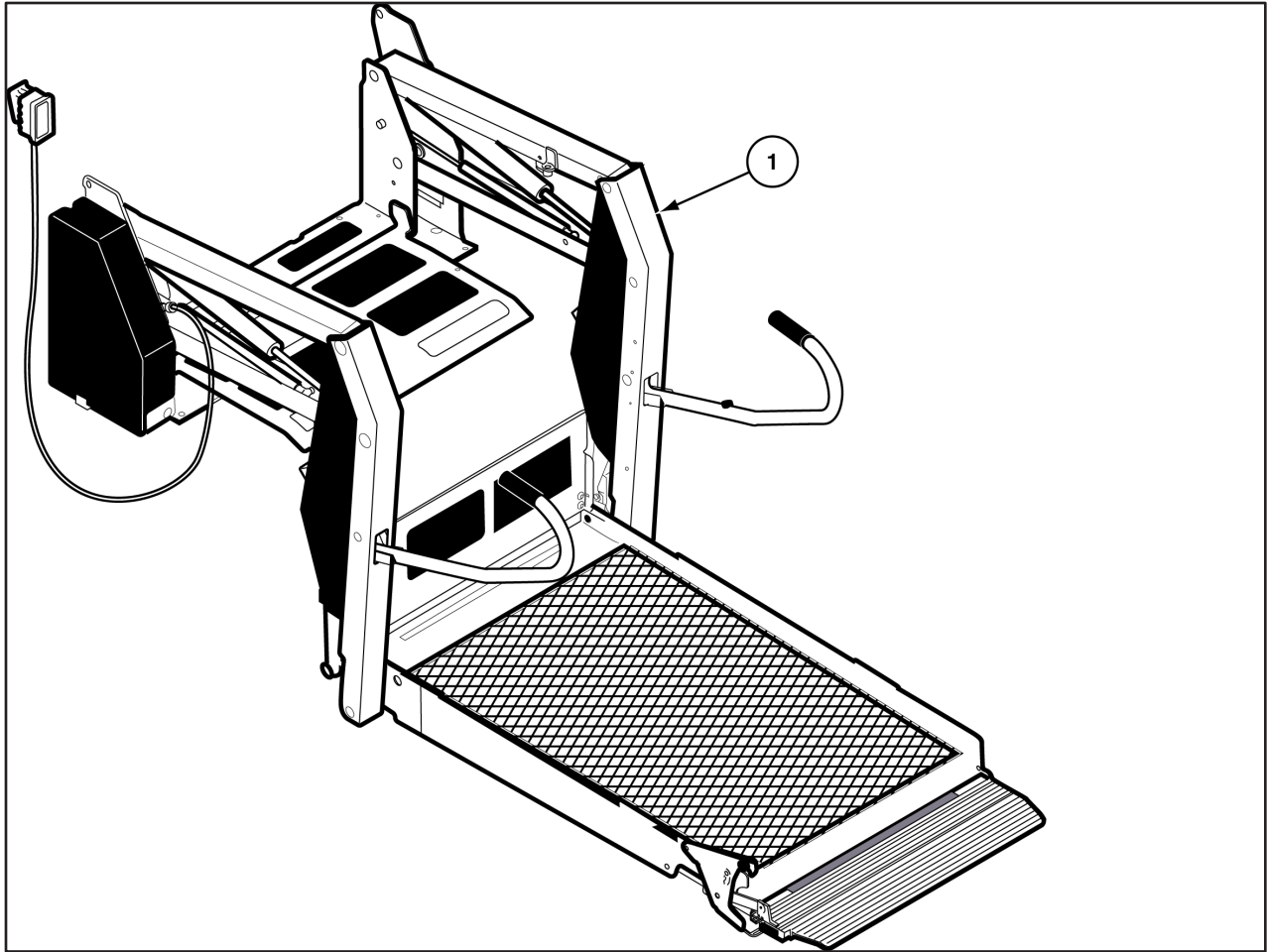


## Priority seating sign

CH00065515 / cx-000-900-3132

<i>ITEM PART NO. DESCRIPTION</i>	<i>QTY</i>	<i>ITEM PART NO. DESCRIPTION</i>	<i>QTY</i>
01 8970154 Decal, "Priority Seating"	1		
02 8570812 Rivet, Pop 1/8 x .325 - .500 GRP S/S	2		
03 4370095 Steel, Coil .021 x 48 Painted	A/R		





**BRAUN LIFT NVL-917 403/404**  
**DF000ND65519 / 0413808**

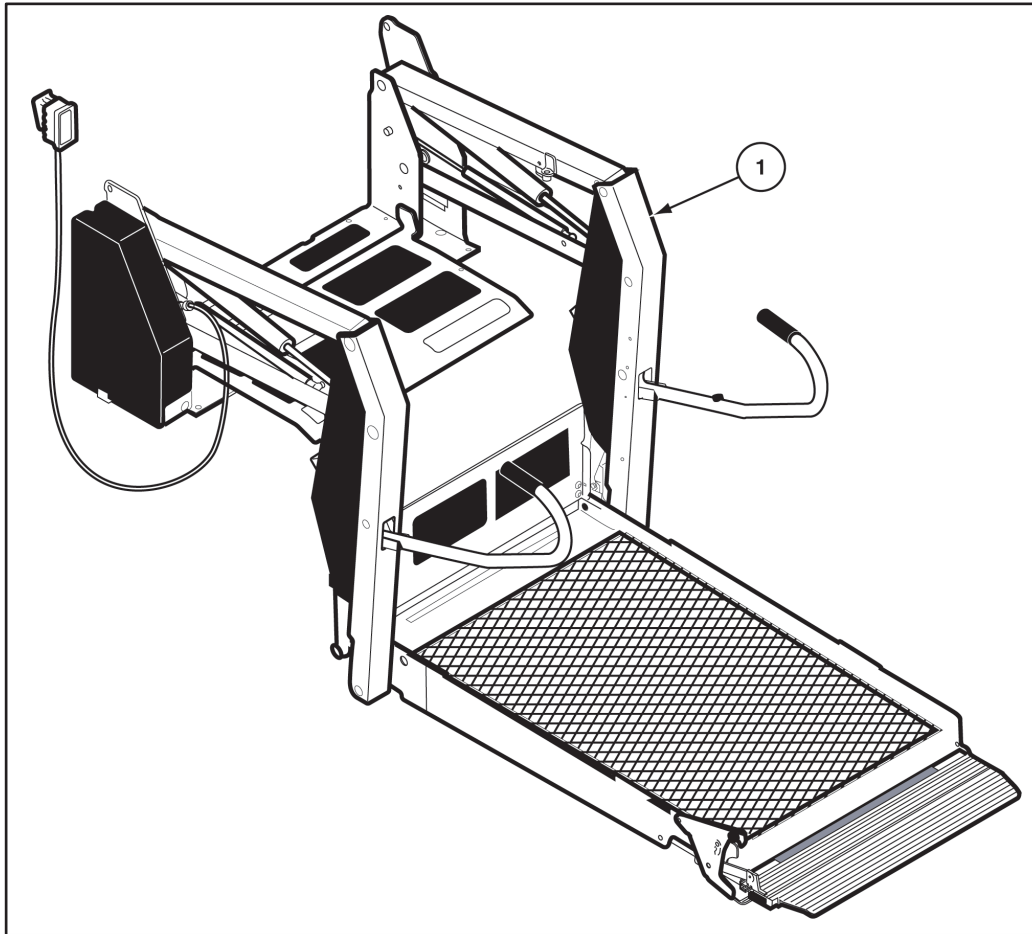
<i>ITEM PART NO. DESCRIPTION</i>	<i>QTY</i>	<i>ITEM PART NO. DESCRIPTION</i>	<i>QTY</i>
01 3973311 Lift, Braun NVL-917 B (403/4)	1		

1



**interlock, ilis international  
df000nd65519 / 6170453**

<i>ITEM PART NO.</i>	<i>DESCRIPTION</i>	<i>QTY</i>	<i>ITEM PART NO.</i>	<i>DESCRIPTION</i>	<i>QTY</i>
01	6170453 INTERLOCK, ILIS INT'L 2100	1			

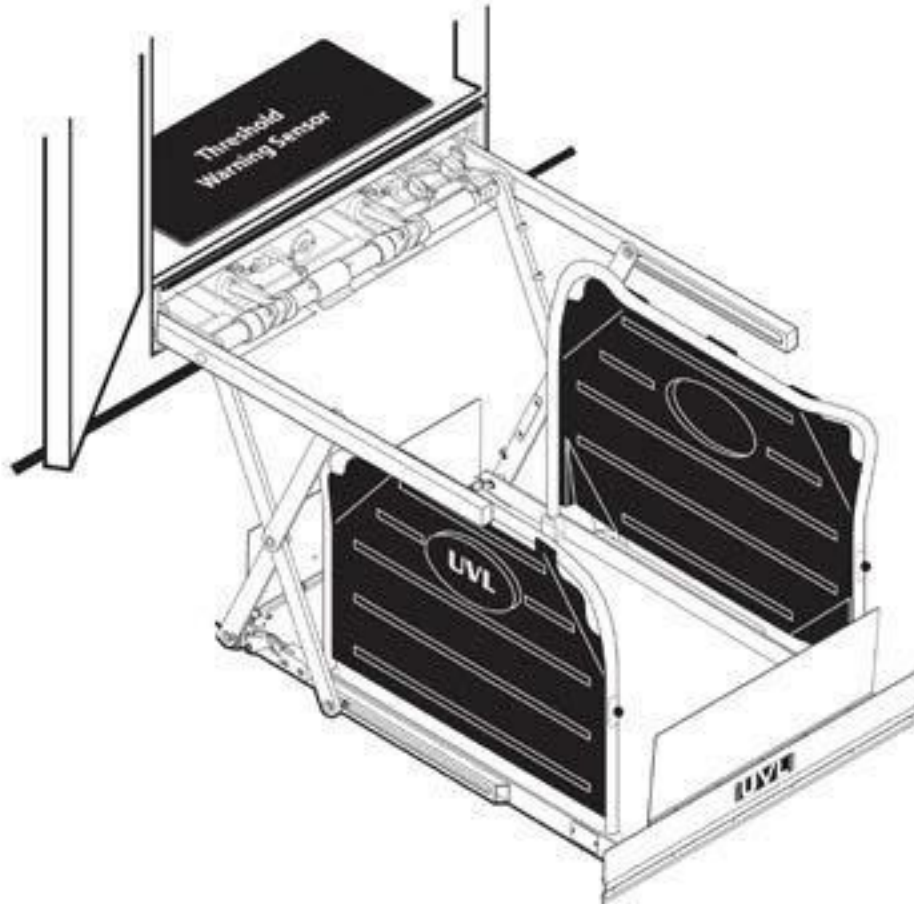


## BRAUN LIFT, CENTURY NCL919

DF000ND65515 / 0413810 / 3975257

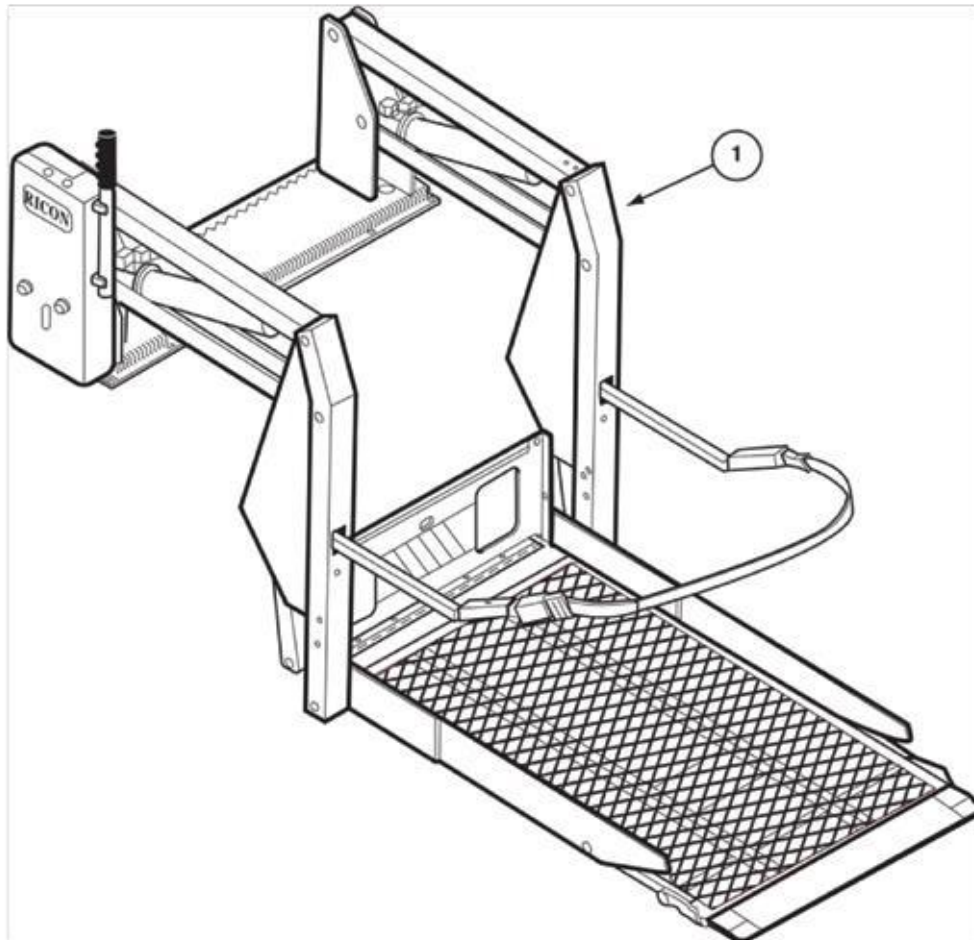
<i>ITEM PART NO. DESCRIPTION</i>	<i>QTY</i>	<i>ITEM PART NO. DESCRIPTION</i>	<i>QTY</i>
01 3974165 Lift, Braun Century NCL919 Gen 2	1		
N/S 3973357 Enclosure, Braun Circuit Breaker Ext	1		
N/S 3971517 Clamp, Vinyl Coated Steel 5/8	3		
N/S 3975257 Interlock, GM/INT'L/ FTL NY DOT	1		

## NUVL855R UVL Series™



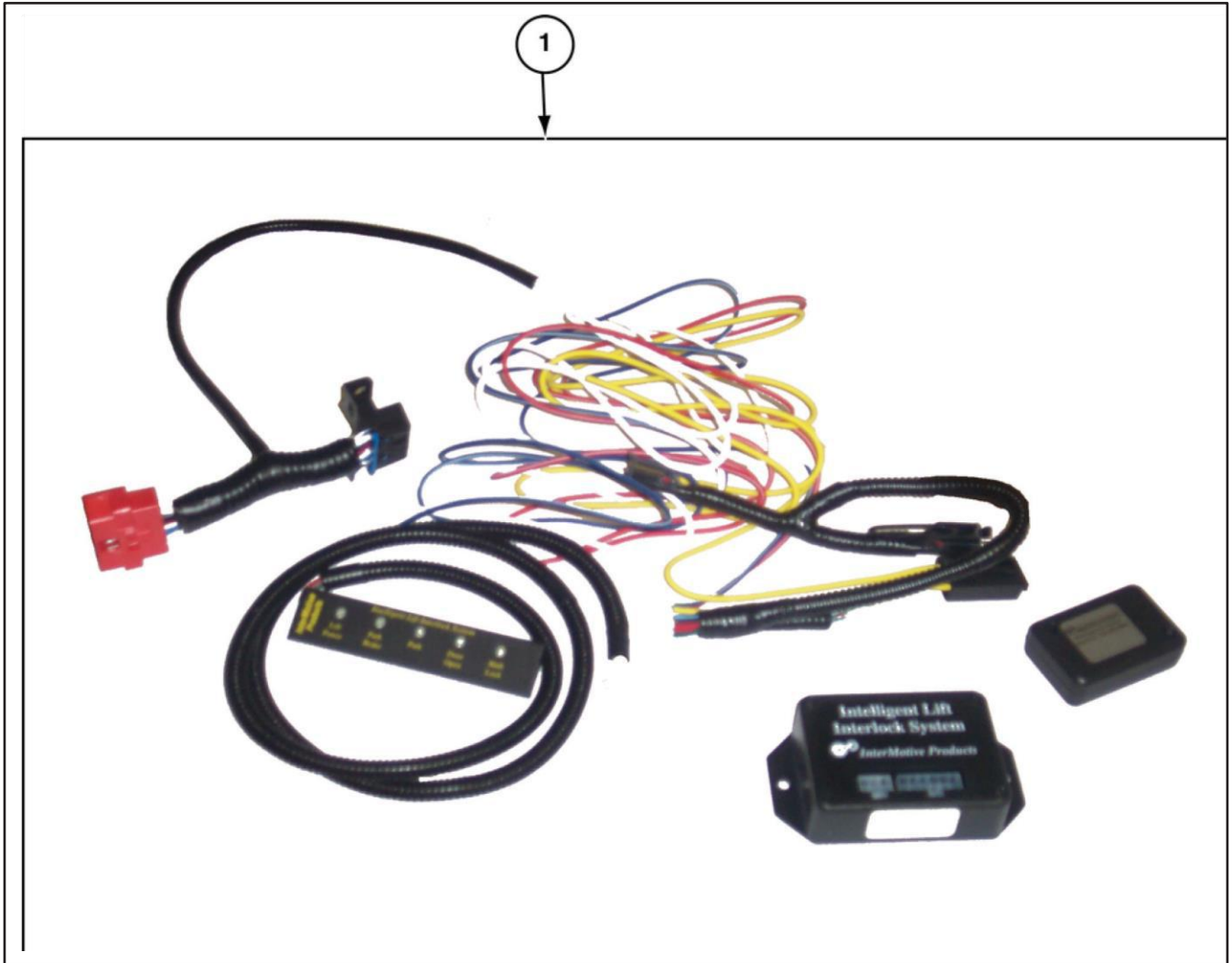
### BRAUN UVL 855 Rfw IN-STEP LIFT 0410947 (REV-A) / 0411184

ITEM	PART NO.	DESCRIPTION	QTY	ITEM	PART NO.	DESCRIPTION	QTY
		<b>0410947 Placement, Braun UVL 855 RFW GEN FF</b>				<b>0411184 Door, Braun UVL 855 RFW Lift</b>	
01	3975742	Lift, Braun NUVL855R	1	NS	0430089	Steel, 14GA x 4' x 8' 304 S/S	1
	0374644	Steel, Flat 11GA 4" x 120"	.5	NS	4970411	Hinge, Door 72 S/S With Angle	1
	0375845	Steel, Flat 11GA 6" x 120" HRS	.5	NS	4941520	Lock, Thumb Complete W Cam	2



**ricon lift s-5010 DF-M2**  
**DF000065516 - 0413797**

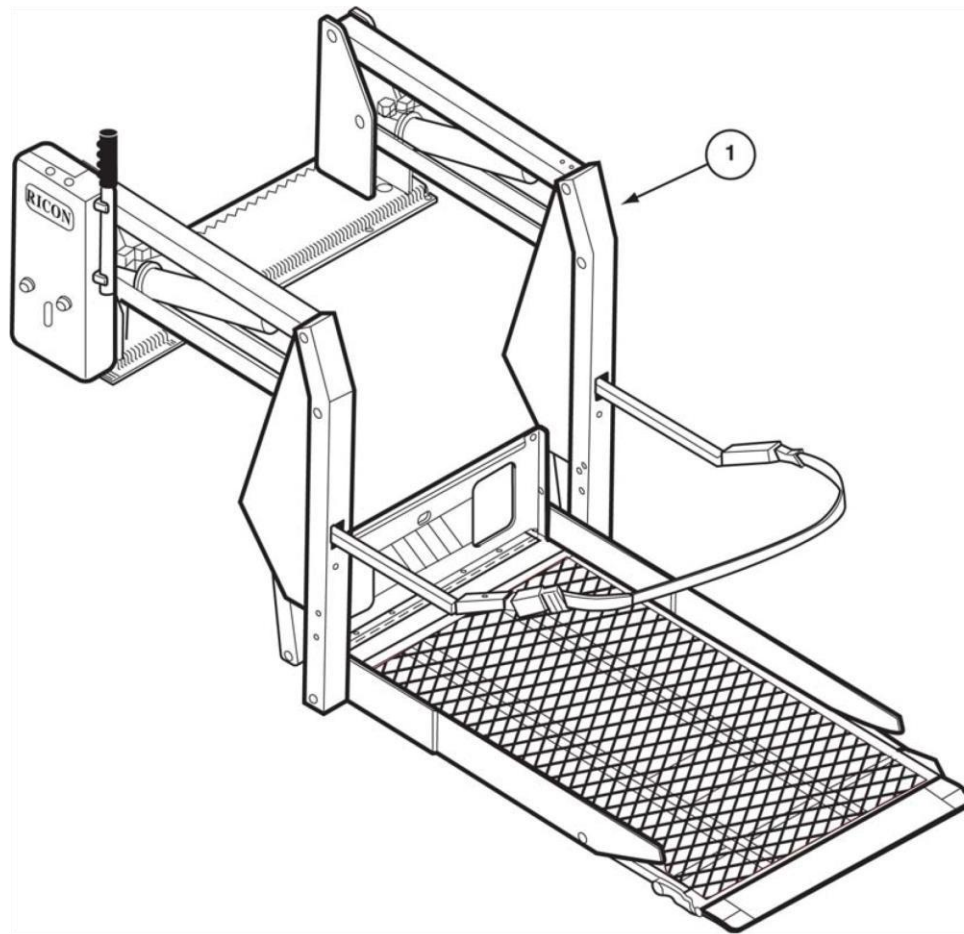
<i>ITEM PART NO. DESCRIPTION</i>	<i>QTY</i>	<i>ITEM PART NO. DESCRIPTION</i>	<i>QTY</i>
01 3973313 Lift, Ricon S5010 ADA (403/4)	1		
N/S 1540715 Rubber, Black .13 x 34.5 Smooth	A/R		
N/S 3971311 Cable, Battery 4GA SGX Red	A/R		
N/S 0414025 Placement, Lift Structure	1		
N/S 3971807 Breaker, 90 AMP Main Ricon	1		
N/S 0374475 Shim, Ricon Lift	2		
N/S 3972777 Harness, Lift STD Challenger	1		



## INTERLOCK DF-M2 INPOWER

### DF000065516 / 0416140

<i>ITEMPART NO.</i>	<i>DESCRIPTION</i>	<i>ITEMPART NO.</i>	<i>DESCRIPTION</i>
01	3974164 Module, Shiftlock GM561 InPower	1	
N/S	3974195 Module, LED Display Interlock	1	
N/S	3974163 Cable, Interlock GM560 InPower	1	
N/S	3974197 Harness, InPower GM560	1	



## ricon lift s-5010

### 0416420 / 0413797

<i>ITEM PART NO. DESCRIPTION</i>	<i>QTY</i>	<i>ITEM PART NO. DESCRIPTION</i>	<i>QTY</i>
01 3973313 Lift, Ricon s5010 ADA (403/4)	1		
N/S 1540715 Rubber, Black .13 x 34.5 Smooth	A/R		
N/S 3971311 Cable, Battery 4GA SGX Red	A/R		
N/S 0414025 Placement, Lift Structure	1		
N/S 3971807 Breaker, 90 AMP Main Ricon	1		
N/S 0374475 Shim, Ricon Lift	2		
N/S 3972777 Harness, Lift STD Challenger	1		

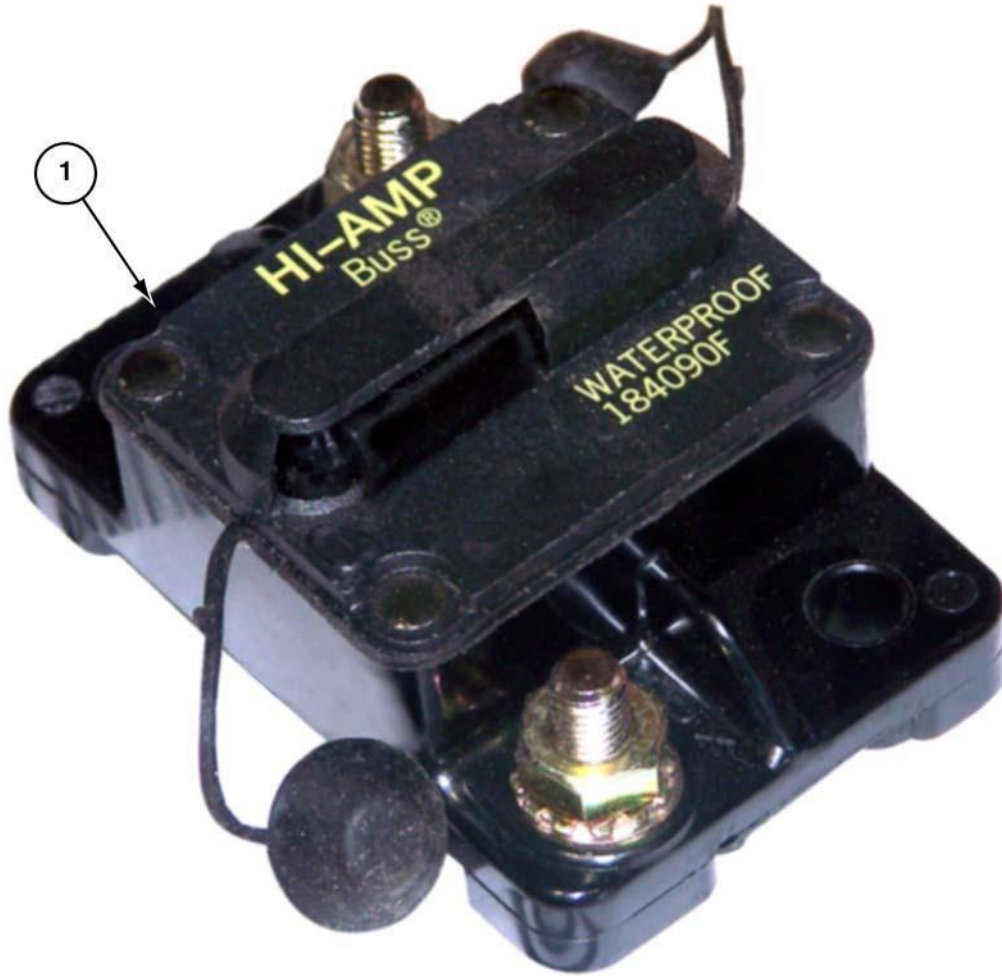
1



## INTERLOCK/FAST IDLE 0416420 / 0415749

<i>ITEM PART NO. DESCRIPTION</i>	<i>QTY</i>	<i>ITEM PART NO. DESCRIPTION</i>	<i>QTY</i>
01 3974121 Module, Interlock Fast Idle Ford Inp	1		
NS 3974122 Display, Interlock Fast Idle Ford Inp	1		
NS 3974130 Harness, Ford InPower	1		

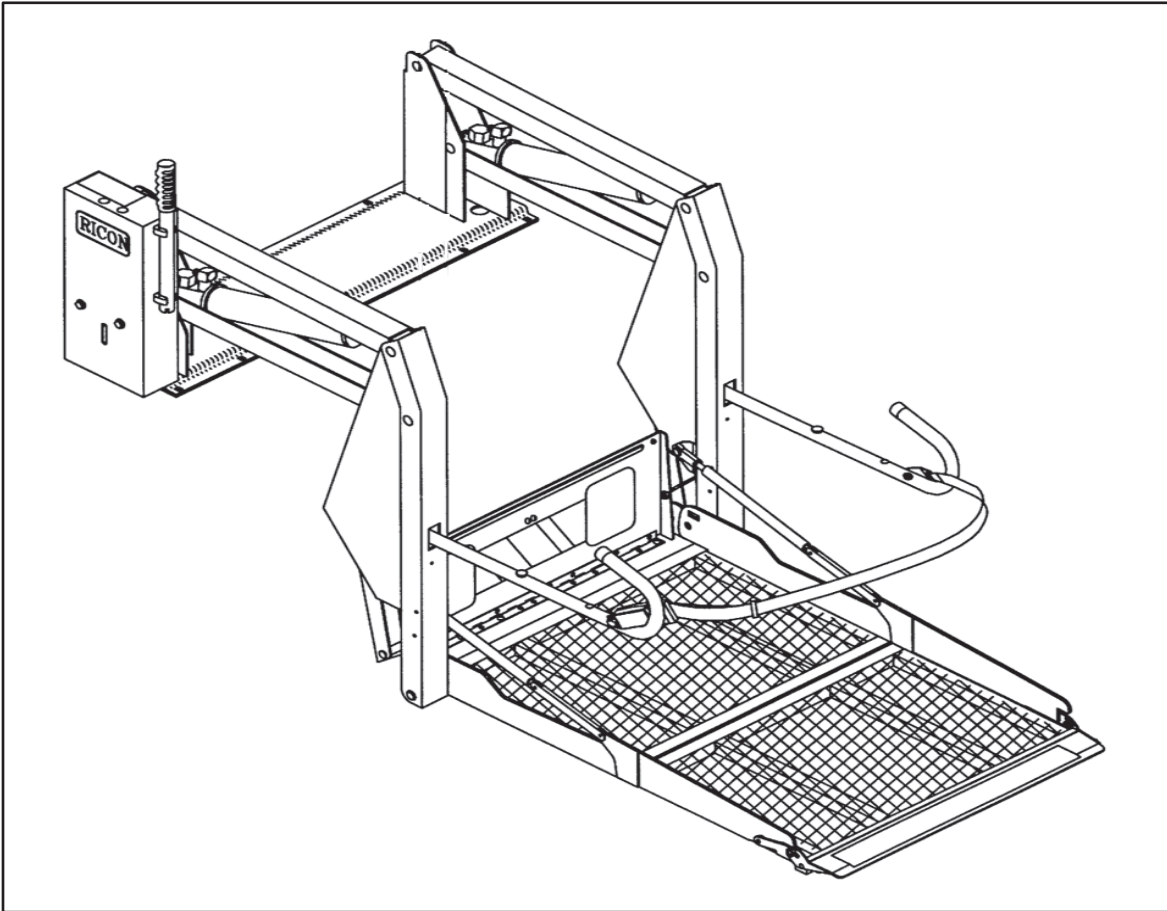




**BREAKER 90 AMP**  
**0416420-0413797**

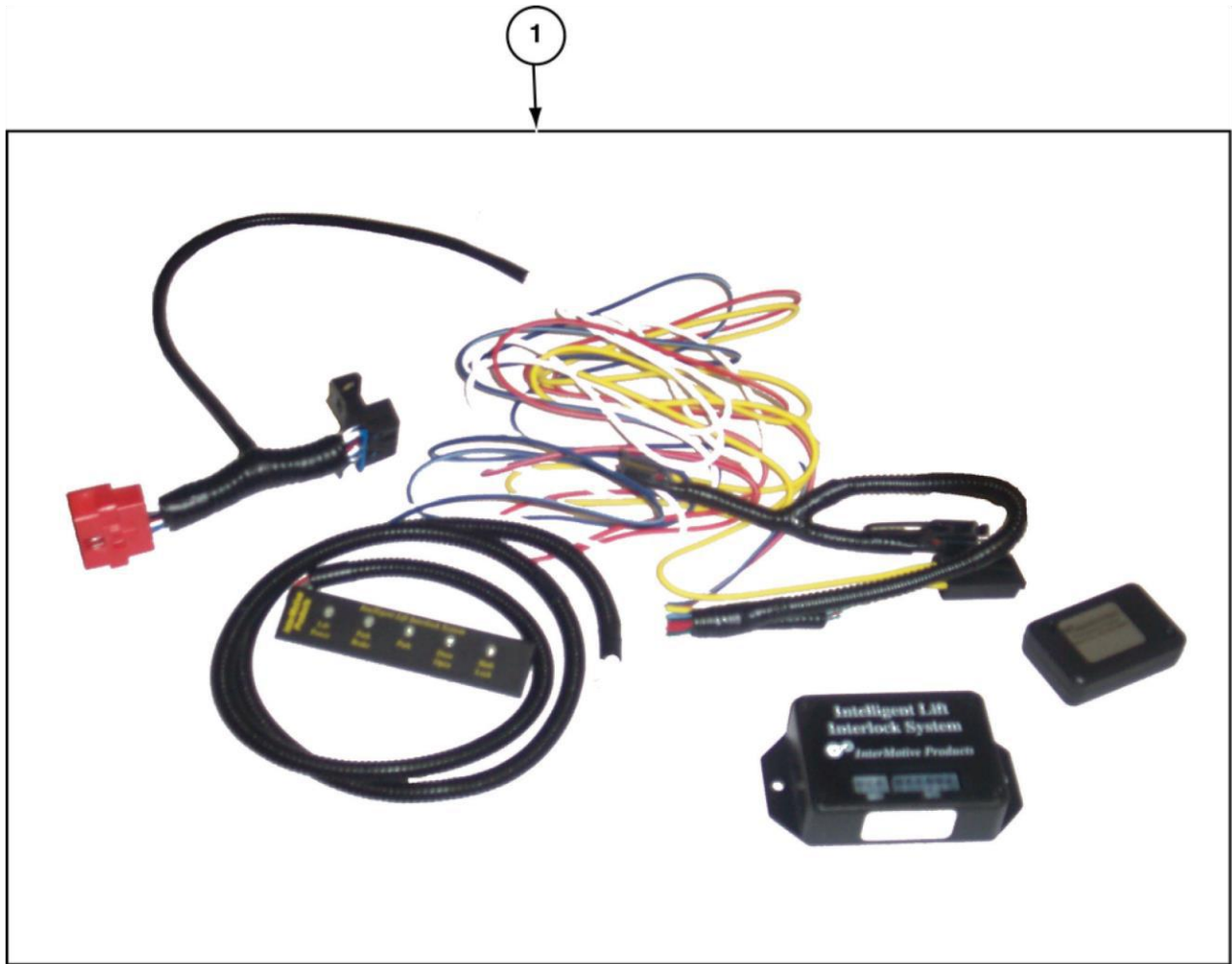
<i>ITEM PART NO. DESCRIPTION</i>	<i>QTY</i>	<i>ITEM PART NO. DESCRIPTION</i>	<i>QTY</i>
----------------------------------	------------	----------------------------------	------------

01 3971807 BREAKER, 90 AMP MAIN RICON	1		
---------------------------------------	---	--	--



**ricon lift k-5010 klearvue**  
**0413800N / 0413801F**

<i>ITEM PART NO. DESCRIPTION</i>	<i>QTY</i>	<i>ITEM PART NO. DESCRIPTION</i>	<i>QTY</i>
01 3973314 Lift, Ricon K5010 ADA	1		
NS 3971807 Breaker, 90 AMP Main Ricon	1		



**Interlock IIs International 2100**  
**0413800N / 6170453**

ITEM PART NO.	DESCRIPTION	QTY	ITEM PART NO.	DESCRIPTION	QTY
01	6170453 Interlock IIs Brake System	1			



**SpeakerS, 6" w/grill**  
**3975500**

<i>ITEM PART NO. DESCRIPTION</i>	<i>QTY</i>	<i>ITEM PART NO. DESCRIPTION</i>	<i>QTY</i>
01 3975500 Speaker, 6" Cone W/Black Grille	AR		
NS 3971343 Wire, Speaker Black/Red 20-2	AR	<b>ALSO INCLUDES THE FOLLOWING ASSEMBLIES:</b>	
NS 3971341 Wire, Speaker Blue/White	AR	0420515	
		0420519	
		0420539	



**5 1/2" EXTRA SPEAKERS**  
**CH-000-900-2806**

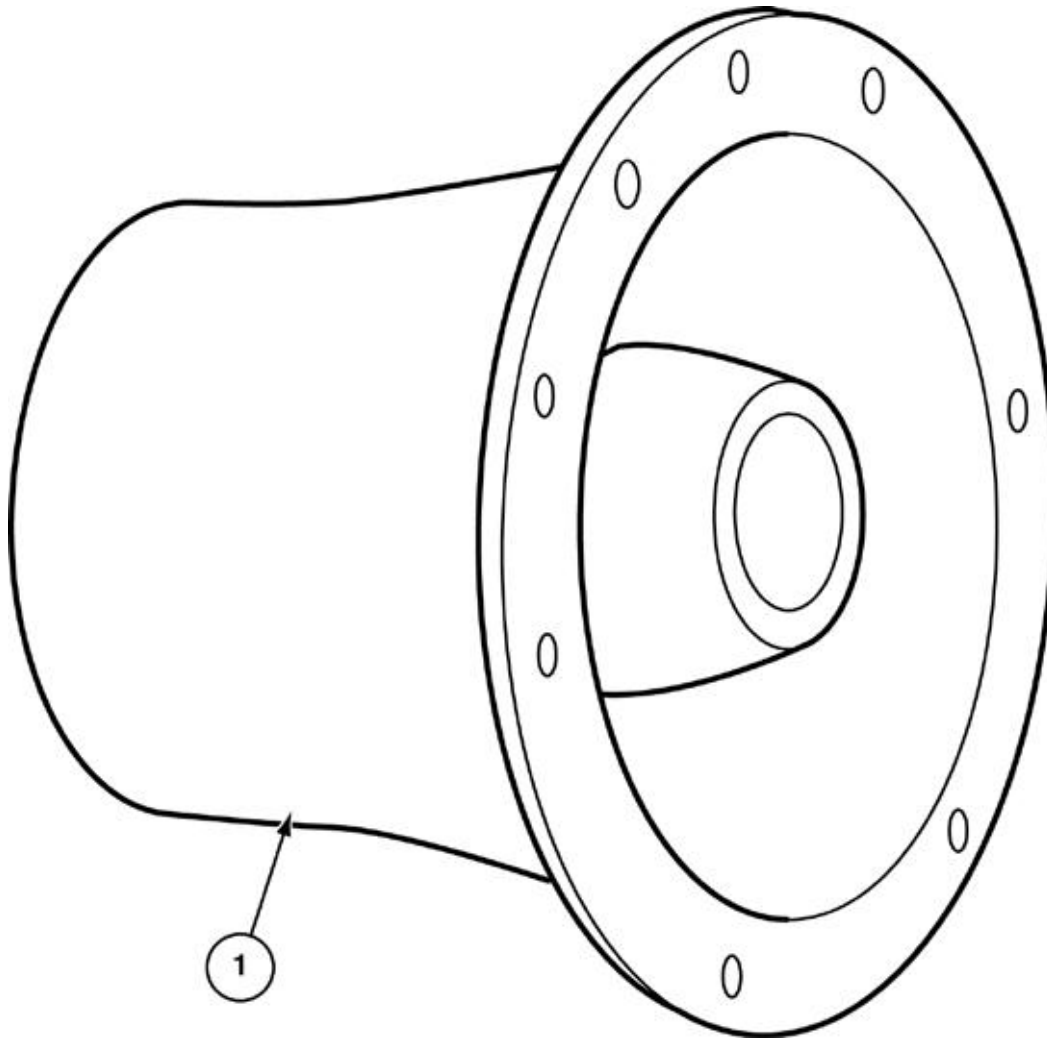
<i>ITEM PART NO. DESCRIPTION</i>	<i>QTY</i>	<i>ITEM PART NO. DESCRIPTION</i>	<i>QTY</i>
01 3972268 SPEAKER(5 1/2" EXC-SP-8527)	1		

5-1/4" Speaker



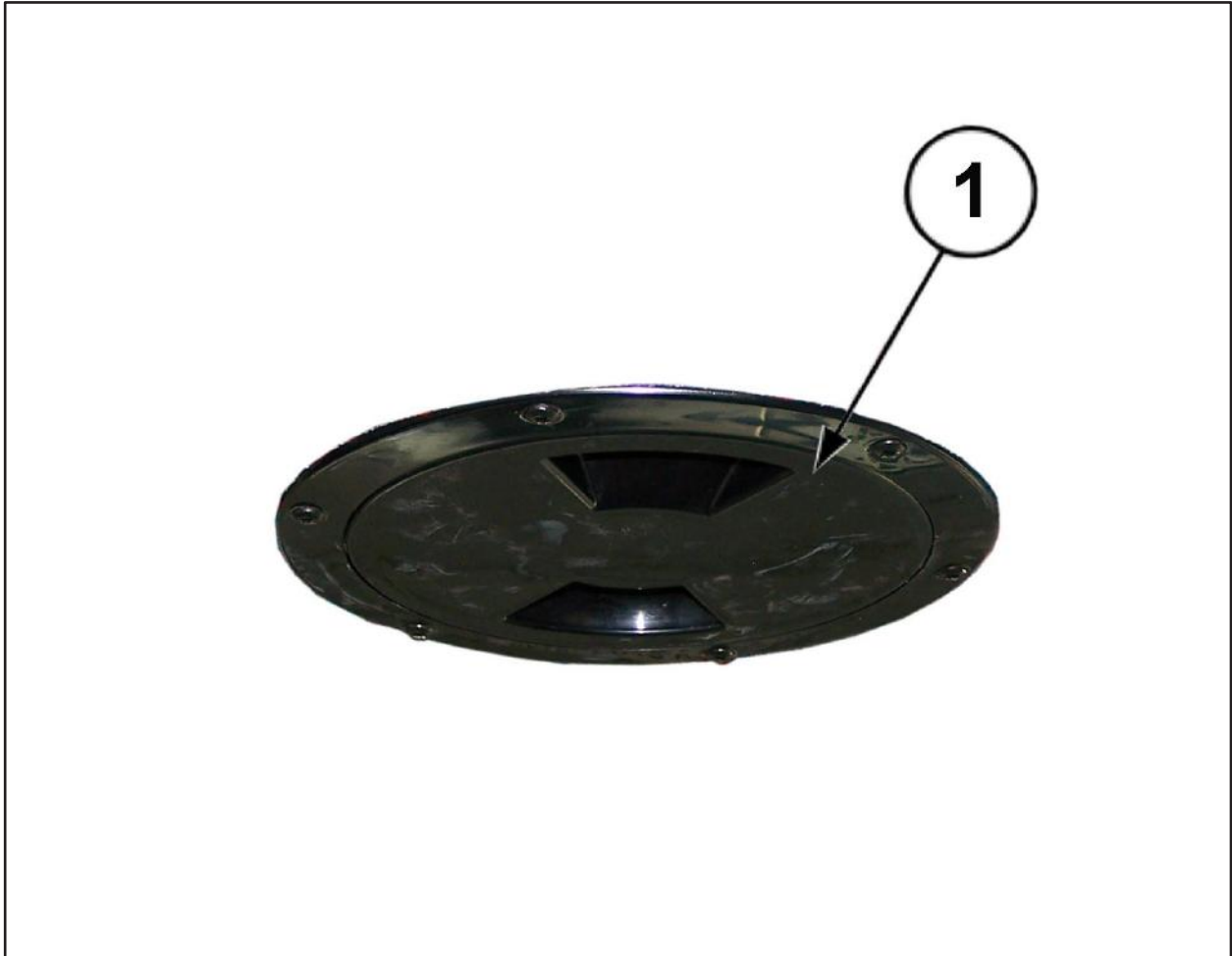
**5<sup>1</sup>/<sub>4</sub>" speaker w/grill - 2 cone**  
**0420516 / 0420517 / 0420518 - 3975600**

<u>ITEM</u>	<u>PART NO.</u>	<u>DESCRIPTION</u>	<u>QTY</u>	<u>ITEM</u>	<u>PART NO.</u>	<u>DESCRIPTION</u>	<u>QTY</u>
01	3975600	Speaker, 5 <sup>1</sup> / <sub>4</sub> " W/Grill 2 Cone	AR				
NS	3971343	Wire, Speaker Black/Red 20-2	AR				
NS	3971341	Wire, Speaker, Blue/White	AR				



**exterior page speaker**  
**cx-000-900-5030 / cx0000025030**

ITEM	PART NO.	DESCRIPTION	QTY	ITEM	PART NO.	DESCRIPTION	QTY
01	3971955	Speaker, External	1				
N/S	0741009	Tube, Shrink .25 PF-1/4-4BK	A/R				
N/S	3945623	Loom, 1/4" Split Plastic Hi-Temp	A/R				
N/S	3973881	SWITCH,CARLING ON/OFF	1				
N/S	3973901	ACTUATOR,BLANK	1				
N/S	3973885	SWITCH,HOLDER PLUG	1				
N/S	3973901	ACTUATOR,BLANK	1				



**RADIO, two way pRep**  
**DF000022998, 0403063, DF-000-900-2998**

<i>ITEM PART NO. DESCRIPTION</i>	<i>QTY</i>	<i>ITEM PART NO. DESCRIPTION</i>	<i>QTY</i>
<b>0403063</b> <b>INSTALL, ACCESS PORT</b>		<b>DF000022998</b> <b>TWO WAY RADIO PREP CH/CR</b>	
01 3342144 Port, Access 5.0	1	NS 0342428 Steel, Flat 14GA/16GA x 6 x 96	AR
NS 8570739 Screw, 8 x 384 Pan Black	6	NS 3971058 Conduit, 3/4" Flex Aluminum 50'	17
		NS 3974661 Harness, Radio Prep	1





## RADIO, two way pRep CH0000022998, 0403063

<i>ITEM PART NO. DESCRIPTION</i>	<i>QTY</i>	<i>ITEM PART NO. DESCRIPTION</i>	<i>QTY</i>
<b>0403063</b> <b>INSTALL, ACCESS PORT</b>		<b>CH000022998</b> <b>TWO WAY RADIO PREP CH/CR</b>	
01 3342144 Port, Access 5.0	1	NS 0342428 Steel, Flat 14GA/16GA x 6 x 96	AR
NS 8570739 Screw, 8 x 384 Pan Black	6	NS 3971058 Conduit, 3/4" Flex Aluminum 50'	17
		NS 3971354 Wire, 10GA GXL Red	27
		NS 3971309 Wire, 10GA GXL White	12
		NS 3971611 Terminal, Heat Shrink Ring 12-10#10	1
		NS 3941127 Loom, 1/2" Split Plastic	12



**prep for camera system w/dvr**  
**0420172**

<i>ITEM</i>	<i>PART NO.</i>	<i>DESCRIPTION</i>	<i>QTY</i>	<i>ITEM</i>	<i>PART NO.</i>	<i>DESCRIPTION</i>	<i>QTY</i>
01	3342144	Port, Access 5.0"	1				
02	3971058	Conduit, 3/4" Flex Aluminum 500 Ft	36				
NS	3971307	Wire, 14GA GXL Black (Un-Marked)	36				

1

CD-2000 AM/FM/CD Stereo Radio w/PA



**Radio - am/fm/Cd PLaYER  
21830 (int'L & fRtL)**

<u>ITEM PART NO.</u>	<u>DESCRIPTION</u>	<u>QTY</u>	<u>ITEM PART NO.</u>	<u>DESCRIPTION</u>	<u>QTY</u>
01 3975472	Radio, AM/FM/CD PA (REI)	1			
0374358	Plate, Radio Installation	1			
3971364	Lead, Antenna 24" L-24	1			
3971341	Wire, Speaker Blue/White	AR			
3974102	Antenna, Flexible Roof Mount	1			



**RADIO W/ AM/FM/SC/USB/MP3/PA SYSTEM  
0420523**

<i>ITEM</i>	<i>PART NO.</i>	<i>DESCRIPTION</i>	<i>QTY</i>	<i>ITEM</i>	<i>PART NO.</i>	<i>DESCRIPTION</i>	<i>QTY</i>
1	3975583	Radio, AM/FM/SD/USB/MP3/PA System	1				
2	3975500	Speakers, 6" W/Grill	4				
NS	3974698	Radio, Adapter Antenna	1				
NS	3974906	Radio Mount, Dash	1				



**radio/am/fm/mp3/pa w/headset  
0414672 (rev-b)**

ITEM	PART NO.	DESCRIPTION	QTY	ITEM	PART NO.	DESCRIPTION	QTY
01	3975472	Radio, AM/FM/CD/Page CD-2000	1				
2	3975620	Mic, Headset DYNMC	1				
3	3975619	Switch, Mic Headphone Jack	1				
NS	3975618	Adapter, Mid Minifit	1				



**radio pkg w/22" slimline monitor  
0421132**

<i>ITEM</i>	<i>PART NO.</i>	<i>DESCRIPTION</i>	<i>QTY</i>	<i>ITEM</i>	<i>PART NO.</i>	<i>DESCRIPTION</i>	<i>QTY</i>
1	3975398	Radio, VR3000 AM/FM/CD/DVD/PA	1				
	3974698	Radio Adapter, Antenna FM130	1				
	3974906	Radio Mount, Dash	1				
2	3975497	Monitor, 22" Slimline Wall Mount	1				
NS	3975498	Kit, Universal LCD Monitor Wall Mount	1				
NS	3975521	Cable, Monitor Power 30'	1				
NS	3975452	Cable, Coax 27' RG-6	1				



**rei radio pkg w/20" LCd waLL monitors  
0420527**

<i>ITEM</i>	<i>PART NO.</i>	<i>DESCRIPTION</i>	<i>QTY</i>	<i>ITEM</i>	<i>PART NO.</i>	<i>DESCRIPTION</i>	<i>QTY</i>
1	3975398	Radio, VR3000 AM/FM/CD/DVD/PA	1				
	3974698	Radio Adapter, Antenna FM130 Ford	1				
	3974906	Mount, Radio Dash Ford	1				
2	3975585	Monitor, 20" LCD Slim Line	2				
	3975586	Mount, Wall 20" LCD Monitor Kit	2				
03	3975450	Amplifier, Video Dist. Low Profile	1				
04	3975587	Connector, BNC "T" Dbl Female to RCA Male	1				
NS	3975521	Cable, Monitor Power 30'	2				
NS	3975452	Cable, Coax 27' RG-6	2				



## Radio, monitoRs & speakeRs

### 0420529 / 0420518

ITEM	PART NO.	DESCRIPTION	QTY	ITEM	PART NO.	DESCRIPTION	QTY
	<b>0420529</b>	<b>RADIO, PKG W/20" MONITORS &amp; 11.2" FLIP MON.</b>			<b>0420518</b>	<b>INSTALL, SPEAKER 5.25" DBL CONE W/GRILLE</b>	
1	3975398	RADIO, VR3000 AM/FM/CD/DVD/PA	1	05	3975600	SPEAKER, 5.25" W/GRILLE, DBL CONE	8
	3974698	RADIO, ADAPTER, ANTENNA FM130 FORD	1	NS	3971343	WIRE, SPEAKER BLACK/RED 20-2	96
	3974906	RADIO, MOUNT, DASH FORD	1	NS	3971341	WIRE, SPEAKER BLUE/WHITE	144
2	3975585	MONITOR, 20" LCD SLIM LINE	1				
	3975586	MOUNT, WALL 20" LCD MONITOR	1				
3	3975591	MONITOR, 11.2" FLIP DOWN LCD	2				
4	3975450	AMPLIFIER, VIDEO DIST. LOW PROFILE	1				
NS	3975521	CABLE, MONITOR POWER 30'	3				
NS	6975452	CABLE, 27' COAX RG-6	2				
NS	3975589	CABLE, 18' COAX	1				
NS	3975590	CABLE 33' COAX	1				





**rei 20" slimline lcd monitor  
0420647**

<i>ITEM PART NO. DESCRIPTION</i>	<i>QTY</i>	<i>ITEM PART NO. DESCRIPTION</i>	<i>QTY</i>
01 3975497 Monitor, 22" Slimline Wall Mount	2	02 3975398 Radio, VR3000 AM/FM/CD/DVD/PA	1
3975498 Kit, Universal LCD Monitor Wall Mount	1	3974698 Radio Adapter, Antenna FM130	1
3975521 Cable, Monitor Power 30'	2	3974906 Radio Mount, Dash	1
3975452 Cable, Coax 27' RG-6	2		
3975587 Connector, BNC "T" Dbl Fem.- Sngl M	1	03 3975450 Amplifier. Video Dist. Low Profile	1



**27" lcd monitor, wall mount  
0421509 / 3975871**

<i>ITEM</i>	<i>PART NO.</i>	<i>DESCRIPTION</i>	<i>QTY</i>	<i>ITEM</i>	<i>PART NO.</i>	<i>DESCRIPTION</i>	<i>QTY</i>
01	3975871	Monitor, 27" LCD W/Blk Alum Housing	1				
NS	3975872	Kit, Surface Mount, Slim 27" LCD	1				



**10.2" wedge lcd monitor  
0421348**

<i>ITEM</i>	<i>PART NO.</i>	<i>DESCRIPTION</i>	<i>QTY</i>	<i>ITEM</i>	<i>PART NO.</i>	<i>DESCRIPTION</i>	<i>QTY</i>
01	3975595	Monitor, 10.2" Wedge LCD	1				
NS	3975594	Cable, 44' Coax	1				
NS	3975522	Cable, Monitor 15'	1				



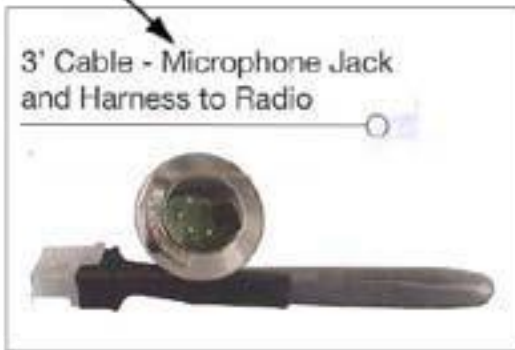
**radio/am/fm/Cd/dVd/pa w/11.2" moNiTorS**  
**0420534**

ITEM	PART NO.	DESCRIPTION	QTY	ITEM	PART NO.	DESCRIPTION	QTY
01	3975398	Radio, VR3000, AM/FM/CD/DVD/PA	1	NS	3975789	Adapter, GNC Female to RCA	4
	3974698	Radio Adapter, Antenna FM130	1	NS	3975452	Cable, Coax 27' RG-6	2
	3974906	Radio Mount, Dash	1	NS	3975590	Cable, 33' Coax	1
2	3975591	Monitor, 11.2" Flip Down LCD	4	NS	3975399	Cable, 3' Minifit-PNL MNT SLR	1
	3975521	Cable, Monitor Power 30'	2	NS	3975596	Cable, 50' Power	2
3	3975500	Speaker, 6" Cone W/Black Grille	4	NS	3975589	Cable, 18' Coax	1
04	3975450	Amplifier, Video Distribution Low Profile	1	NS	3975594	Cable, 44' Coax	1
NS	3975788	Amplifier, 4-Channel	1				

1



2



3



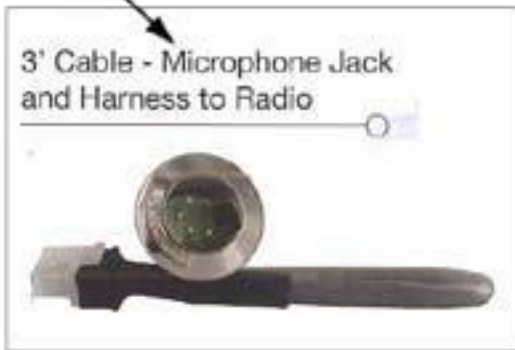
## hand-held microphone non-dash 0420537

ITEM	PART NO.	DESCRIPTION	QTY	ITEM	PART NO.	DESCRIPTION	QTY
01	3972651	Mic, Hand Held Dynamic	1				
02	3975399	Cable, 3' Mimifit-PNL MNT XLR	1				
03	3973707	Microphone, Clip	1				

1



2



3



## hand-held microphone in-dash 0420536

ITEM	PART NO.	DESCRIPTION	QTY	ITEM	PART NO.	DESCRIPTION	QTY
01	3972651	Mic, Hand Held Dynamic	1				
02	3975399	Cable, 3' Mimifit-PNL MNT XLR	1				
03	3973707	Microphone, Clip	1				



## hand-held microphone in-dash 0420513

<i>ITEM PART NO. DESCRIPTION</i>	<i>QTY</i>	<i>ITEM PART NO. DESCRIPTION</i>	<i>QTY</i>
01 3972651 Mic, Hand Held Dynamic	1		
02 3975399 Cable, 3' Minifit-PNL MNT XLR	1		
3975599 Cable, 17' Microphone Jack & Harness	1		
03 3973707 Microphone, Clip	1		

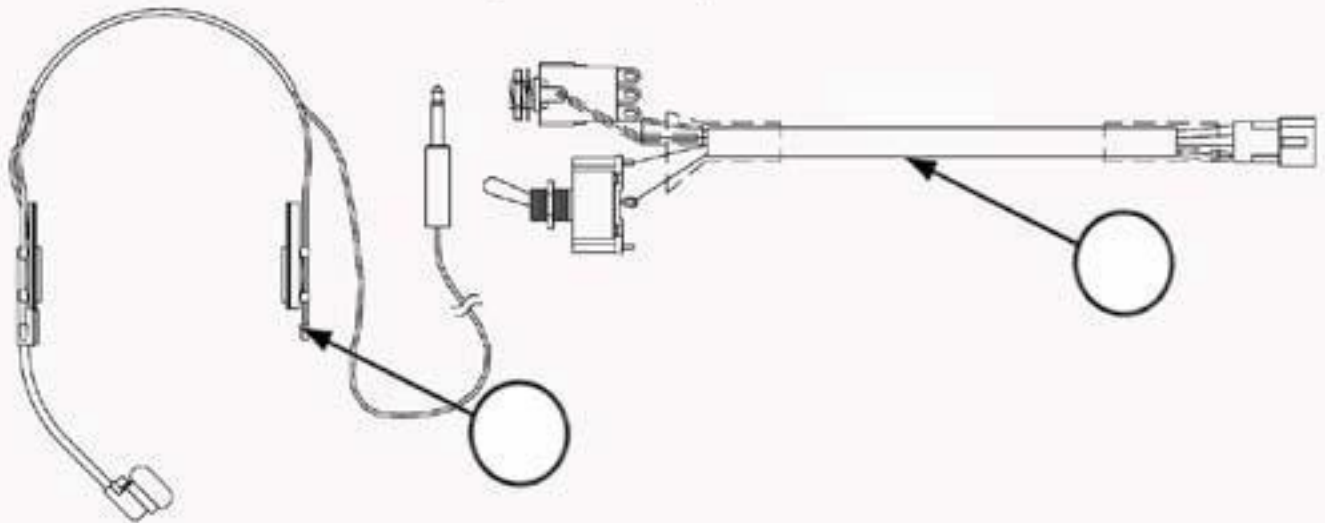


**gooseneck microphone w/foot switch  
0420508**

<i>ITEM</i>	<i>PART NO.</i>	<i>DESCRIPTION</i>	<i>QTY</i>	<i>ITEM</i>	<i>PART NO.</i>	<i>DESCRIPTION</i>	<i>QTY</i>
01	3975473	Kit, Gooseneck W/Foot Switch	1				



## Headphone Microphone System



### headphone microphone system 0420509

<i>ITEM</i>	<i>PART NO.</i>	<i>DESCRIPTION</i>	<i>QTY</i>	<i>ITEM</i>	<i>PART NO.</i>	<i>DESCRIPTION</i>	<i>QTY</i>
01	3975620	Mic, Headset DYNMC	1				
02	3975618	Adapter, Mic Minifit	1				
NS	3975619	Switch, Mic Headphone Jack	1				



**backup camera w/rearview mirror  
0420985**

<i>ITEM</i>	<i>PART NO.</i>	<i>DESCRIPTION</i>	<i>QTY</i>	<i>ITEM</i>	<i>PART NO.</i>	<i>DESCRIPTION</i>	<i>QTY</i>
01	3975772	Camera, Backup W/Rearview Mirror	1				



**Back-up camera system  
0420520**

<i>ITEM</i>	<i>PART NO.</i>	<i>DESCRIPTION</i>	<i>QTY</i>	<i>ITEM</i>	<i>PART NO.</i>	<i>DESCRIPTION</i>	<i>QTY</i>
01	3975602	Camera, Back-Up System W/7" Monitor	1				



**backup camera w/color 5.6" monitor  
0416401**

<i>ITEM</i>	<i>PART NO.</i>	<i>DESCRIPTION</i>	<i>QTY</i>	<i>ITEM</i>	<i>PART NO.</i>	<i>DESCRIPTION</i>	<i>QTY</i>
<b>0416401 Install, Camera Backup Color 5.6" Monitor</b>							
01	3974378	Monitor, LCD Color 5.6"	1				
02	3974507	Mount, Backup Camera	1				
03	3974339	Camera, Color Backup	1				
04	3974380	Cable, Camera Backup	1				
NS	3973365	Wire, 14ga GXL Black (Marked-#4)	60				
NS	3971935	Wire, 14GA GXL Red (Unmarked)	15				
NS	3973366	Wire, 14GA GXL White (Marked-#5)	75				
NS	3945656	Loom, 1/2" Split Nylon W/Stripe Hi-T	75				



## angel trax 4 camera recorder system 0422531

ITEM	PART NO.	DESCRIPTION	QTY	ITEM	PART NO.	DESCRIPTION	QTY
1	3976270	System, 4 Camera Recorder 4-CH Hyb	1				
		Contains the following:					
2	N/A	Hybrid Quest 4-Chan Mobile Digital VCR					
		• 320GB SATA Hard Drive W/Built-in Reader					
		• Vandal Proof Lock Box, Panic Button					
		• MPEG4/MJPEG Compression					
		• Eight (8) AV Channel Capable					
2	3976272	Infrared Color Wedge Camera	2				
3	3976271	Color PeriOptic Wedge Camera	1				
4	6976228	Exterior Backing Camera W49.5' Cable	1				
5	N/A	FCBR100 Front W/S Mounting Bracket ?					

**NOTE:** Please call your parts representative for part numbers and pricing.



## KINEDYNE TIEDOWNS FF612S CX000060054

<i>ITEM PART NO.</i>	<i>DESCRIPTION</i>	<i>QTY</i>	<i>ITEM PART NO.</i>	<i>DESCRIPTION</i>	<i>QTY</i>
1	7371493 TIEDOWN, KINEDYNE RETRACTABLE	1			
2	4570061 TRACK, TIEDOWN ALUM-L W/O FLANGE	A/R			
3	7371215 TRACK, TIEDOWN ALUM-L W/FLANGE	A/R			
4	7371133 END, FLOOR TRACK - SILVER PLASTIC	8			
5	7371604 KIT, MOUNT SERIES - L	1			
N/S	3370046 INSERT, CLEAR SEAT TRACK X 96.0	1			



## q-strait tiedown max retractable 0416519 / 0417157

<i>ITEM PART NO.</i>	<i>DESCRIPTION</i>	<i>QTY</i>	<i>ITEM PART NO.</i>	<i>DESCRIPTION</i>	<i>QTY</i>
01	7371630	TIEDOWN, Q-STRAINT RETRACTABLE	1		
NA	7371215	TRACK, TIEDOWN ALUMINUM-L W/Flange	AR		
NA	3370046	INSERT, CLEAR SEAT TRACK x 93.0	1		
NA	7371133	END, FLOOR TRACK - BLACK PLASTIC	8		
NA	4570061	TRACK, TIEDOWN ALUM-L W/O FLANGE	AR		



**ANTENNA - 96" L-96 gMT  
0414747**

ITEMPART NO.	DESCRIPTION	ITEMPART NO.	DESCRIPTION
01 3972093	LEAD, ANTENNA 96" L-96 1		





**q'-straint slide-n-click restraints**  
**0413345 / 0413345F**

ITEM PART NO.	DESCRIPTION	QTY	ITEM PART NO.	DESCRIPTION	QTY
1	7371555 RESTRAINT, Q'-STRAINT SLIDE-N-CLICK	1			
2	7371347 POUCH, Q'-STRAINT Tiedown Black Vinyl	1			
3	7371405 CUTTER, TIEDOWN BELT	1			
NS	7371533 LOOP, WEBBING Q'-STRAINT	4			

**NOTE: 0413345 Does Not contain the Webbing Loop**



1

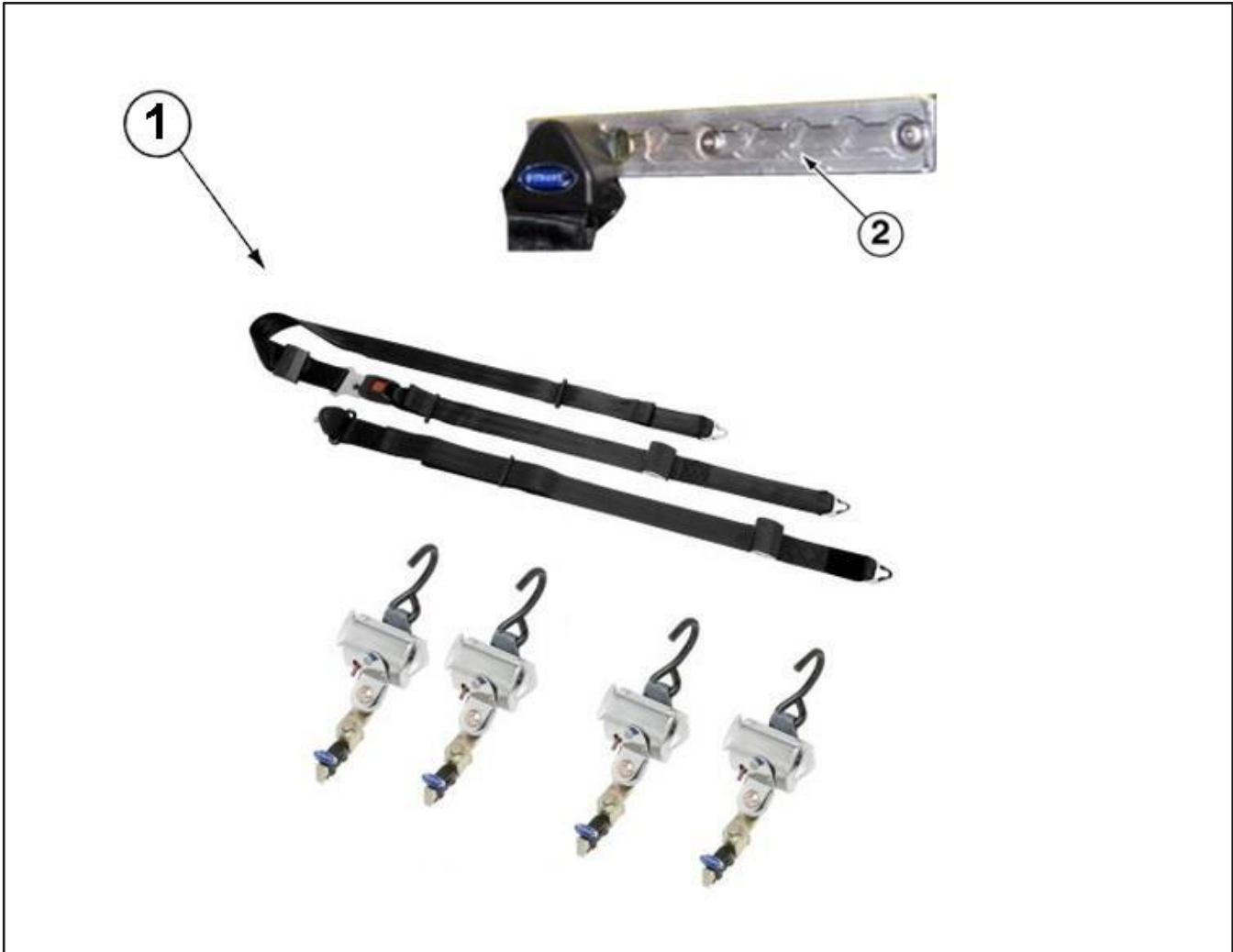
**Q'STRAIT, TIEDOWN QRT 3.1 Q8100  
CX0000060012**

<i>ITEM PART NO. DESCRIPTION</i>	<i>QTY</i>	<i>ITEM PART NO. DESCRIPTION</i>	<i>QTY</i>
01 7371451 Tiedown, QRT Retractable System	1		
N/S 3370046 Insert, Clear Seat Track x 96	A/R		
N/S 7371133 End, Floor Track - Silver Plastic	8		
N/S 7371215 Track, Tiedown Alum-L W/Flange	A/R		
N/S 0374644 Steel, Flat 11GA x 4 x10'	1		
N/S 4570061 Track, Tiedown Alum-L W/O Flange	1		



## q'straint tiedown qrt 1.1 q8101 trk 0407865

<i>ITEM</i>	<i>PART NO.</i>	<i>DESCRIPTION</i>	<i>QTY</i>	<i>ITEM</i>	<i>PART NO.</i>	<i>DESCRIPTION</i>	<i>QTY</i>
01	7371468	Belt, Shoulder 27" Longer W/L Track	1	NS	8570809	Bolt, Mono 1/4" GR-.350-.62	3
02	7371479	Q-Straint, Kit 8120 CBI 1.1		NS	0374644	Steel, Flat 11GA x 4 x 10'	1
1				NS	8570932	Screw, 8 x 1 Pan Quad Fast CAD Blk	8
3	7371601	Bracket, Shoulder Belt Q'Straint	1				
4	7371696	Kit, Hardware Q'Straint	1				
5	3370046	Insert, Clear Seat Track x 96.0	1				
6	7371215	Track, Tiedown Alum-L W/Flange	AR				
7	4570061	Track, Tiedown Allum-L W/O Flang	AR				



## Q-Straint non-retractable tiedowns cX0000062006

<i>ITEM PART NO. DESCRIPTION</i>	<i>QTY</i>	<i>ITEM PART NO. DESCRIPTION</i>	<i>QTY</i>
01 7371579 Q-Straint, Kit Q-8100-AF-L	1		
02 4570061 Track, Tiedown Alum-L W/O Flange	AR		
NS 7371601 Bracket, Shoulder Belt	1		
NS 3370046 Insert, Clear Seat Track X 96.0	1		
NS 7371133 End, Floor Track - Silver Plastic	8		
NS 7371215 Track, Tiedown Alum-L W/Flange	AR		



## Q-Straint, tiedown Slide n click 0414044

<i>ITEM PART NO. DESCRIPTION</i>	<i>QTY</i>	<i>ITEM PART NO. DESCRIPTION</i>	<i>QTY</i>
1 7371562 Q-Straint Tiedown FDOT 05	1		
2 4570061 Track, Tiedown Aluminum-L w/o Flange	1		
3 7371347 Pouch, Q-Straint Tiedown Black Vinyl	1		
4 CX-000-900-0613 Seat Belt Web Cutter	1		



## q-strait tiedown max retractable

### 0416519 / 0417157

<i>ITEM PART NO. DESCRIPTION</i>	<i>QTY</i>	<i>ITEM PART NO. DESCRIPTION</i>	<i>QTY</i>
01 7371630 TIEDOWN, Q-STRAINT RETRACTABLE	1		
NA 7371215 TRACK, TIEDOWN ALUMINUM-L W/Flange	AR		
NA 3370046 INSERT, CLEAR SEAT TRACK x 93.0	1		
NA 7371133 END, FLOOR TRACK - BLACK PLASTIC	8		
NA 4570061 TRACK, TIEDOWN ALUM-L W/O FLANGE	AR		



**INSTALL Q'-STRAINT STORAGE POUCH**  
**0406558 / CX0000060025**

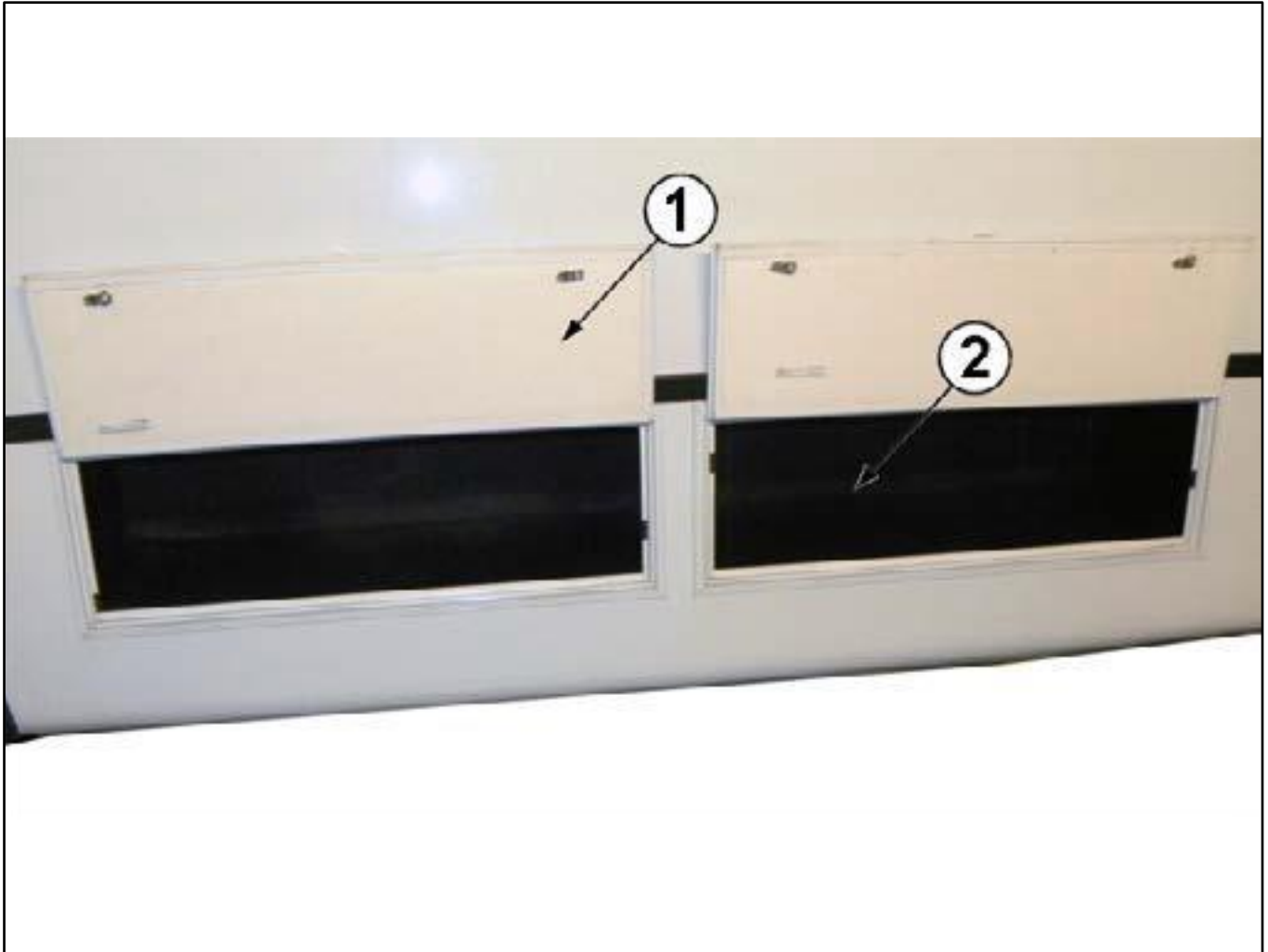
<i>ITEM</i>	<i>PARTNO.</i>	<i>DESCRIPTION</i>	<i>QTY</i>	<i>ITEM</i>	<i>PARTNO.</i>	<i>DESCRIPTION</i>	<i>QTY</i>
01	7371347	POUCH Q-STRAINT TIEDOWN BLACK VINYL	1				



**tiedown storage pouch-gray**  
**cx0000060026**

<i>ITEM PART NO.</i>	<i>DESCRIPTION</i>	<i>QTY</i>	<i>ITEM PART NO.</i>	<i>DESCRIPTION</i>	<i>QTY</i>
01	7371357 Pouch, Kinedyne Tiedown Gray Vinyl	1			
	**NOTE: Picture is of Black Vinyl**				





**underfloor luggage (96 X 23 X 14)  
0419577 (rev-a)**

<i>ITEM PART NO. DESCRIPTION</i>	<i>QTY</i>	<i>ITEM PART NO. DESCRIPTION</i>	<i>QTY</i>
01 5370254 Door, 42 x 13 PWSMFG 2K TH CWPE	2		
02 0377925 Steel, Flat 16GA x 25 x 96"	1		
0376531 Steel, Flat 14GA x 3 x 96"	2		
0374644 Steel, Flat 11GA x 4" x 120"	.3		
0347278 Pan, Z 1" x 14 x 1 x 96" 20GA	1.5		
0360446 Angle, 16GA x 1 x 1.5 x 96" Galv.	1		
0970044 Plywood, 5/8 x 4 x 8 7-Ply BC Marine	.5		



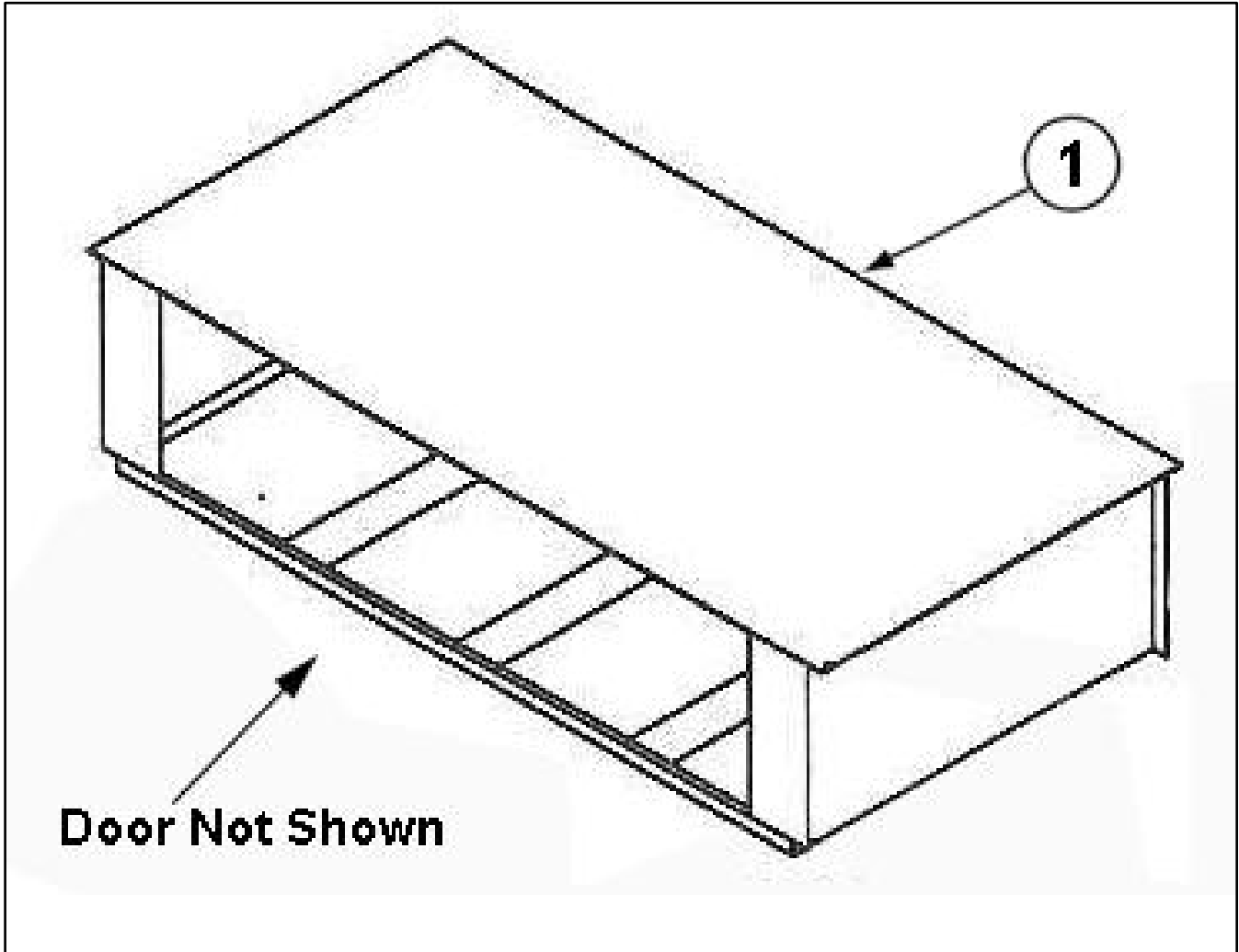
**storage box (9 x 16 x 24)- under floor  
0420373**

<i>ITEM</i>	<i>PART NO.</i>	<i>DESCRIPTION</i>	<i>QTY</i>	<i>ITEM</i>	<i>PART NO.</i>	<i>DESCRIPTION</i>	<i>QTY</i>
1	0379673	Box,Tool Under Floor Small 9 x 16 x 24	1				
2	5370156	Door, Square Corner 9 x 24 W/Thumb	1				



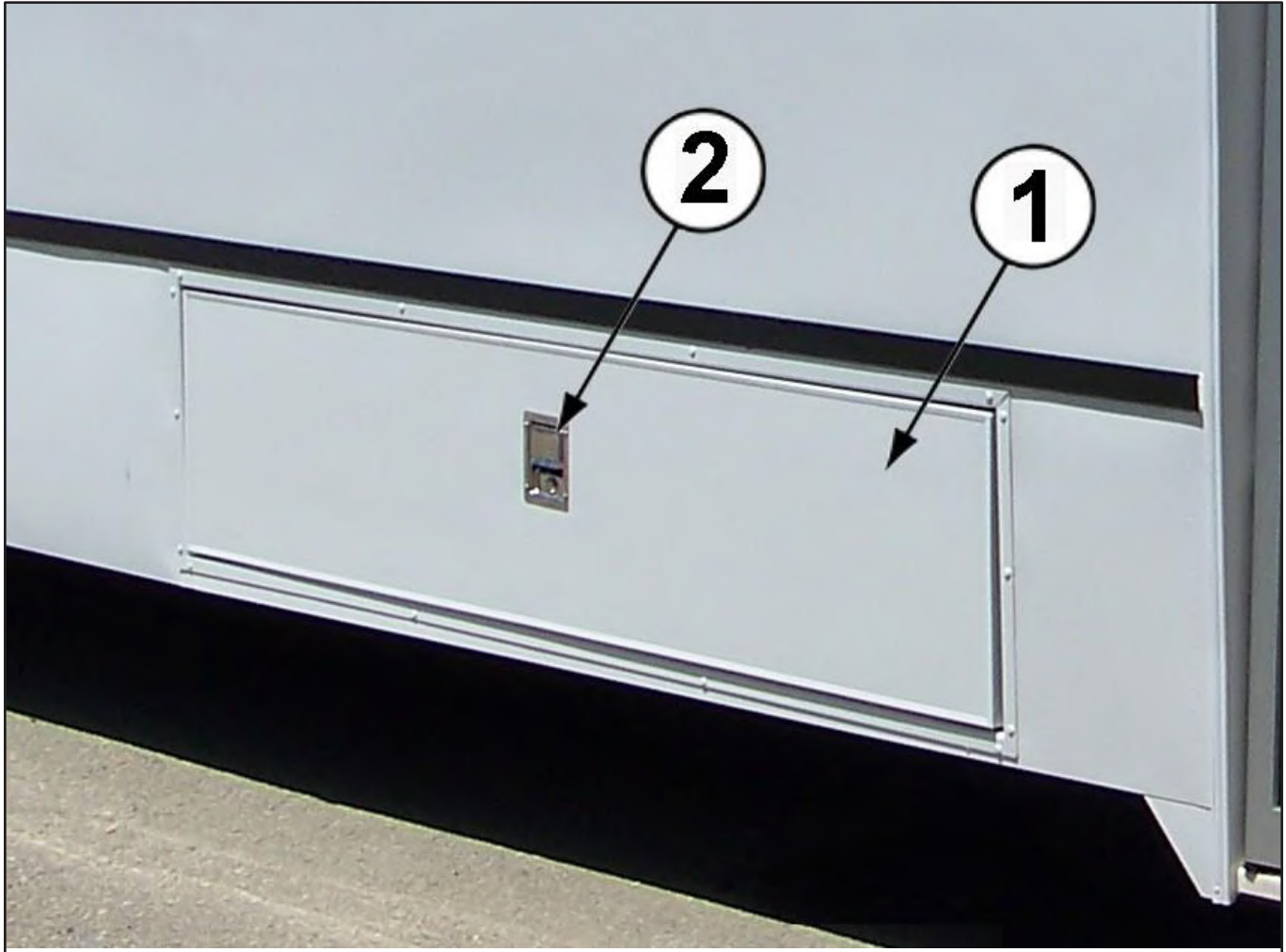
**underfloor luggage (48 X 23 X 14)  
0414706 (rev-B)**

<i>ITEM PART NO. DESCRIPTION</i>	<i>QTY</i>	<i>ITEM PART NO. DESCRIPTION</i>	<i>QTY</i>
01 5370254 Door, 42 x 13 PWSMFG	1		
02 0377926 Steel, Flat 16GA x 25 x 52"	1		
0376531 Steel, Flat 14GA x 3 x 96"	1		
0374644 Steel, Flat 11GA x 4" x 120"	.5		
0347278 Pan, Z 1" x 14 x 1 x 96" 20GA	1		
0360446 Angle, 16GA x 1 x 1.5 x 96" Galv.	.5		
0970044 Plywood, 5/8 x 4 x 8 7Ply BC Marine	.5		



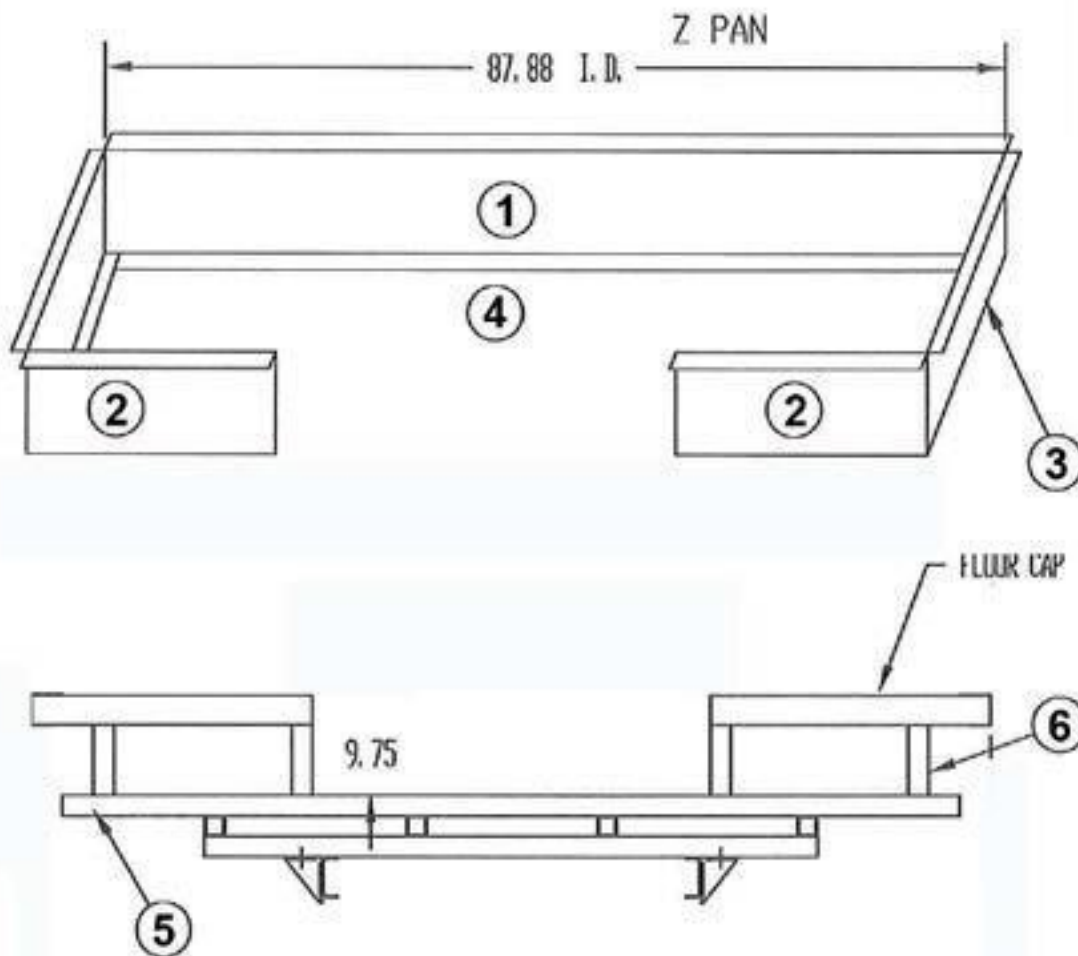
**underfloor luggage (48" X 23" X 18")  
0421800 (reV-a)**

<i>ITEM PART NO. DESCRIPTION</i>	<i>QTY</i>	<i>ITEM PART NO. DESCRIPTION</i>	<i>QTY</i>
<b>01 0421800 Luggage, Underfloor 48" x 23" x 18"</b>			
5370680 Door, 42" x 17 PWSMFG 2K TH CWPE	1		
0377926 Steel, Flat 16GA x 25" x 52"	1		
0380055 Pan, Z 1 x 18 x 1 x 96 20GA	1		
0360446 Angle, 16GA x 1 x 1½ x 96.0 Galv.	1		
0374644 Steel, Flat 11GA x 4" x 120"	.5		
0376531 Steel, Flat 14GA x 3" x 96"	1		
0970044 Plywood, 5/8" x 4" x 8" 7-Ply BC Treated.	.5		



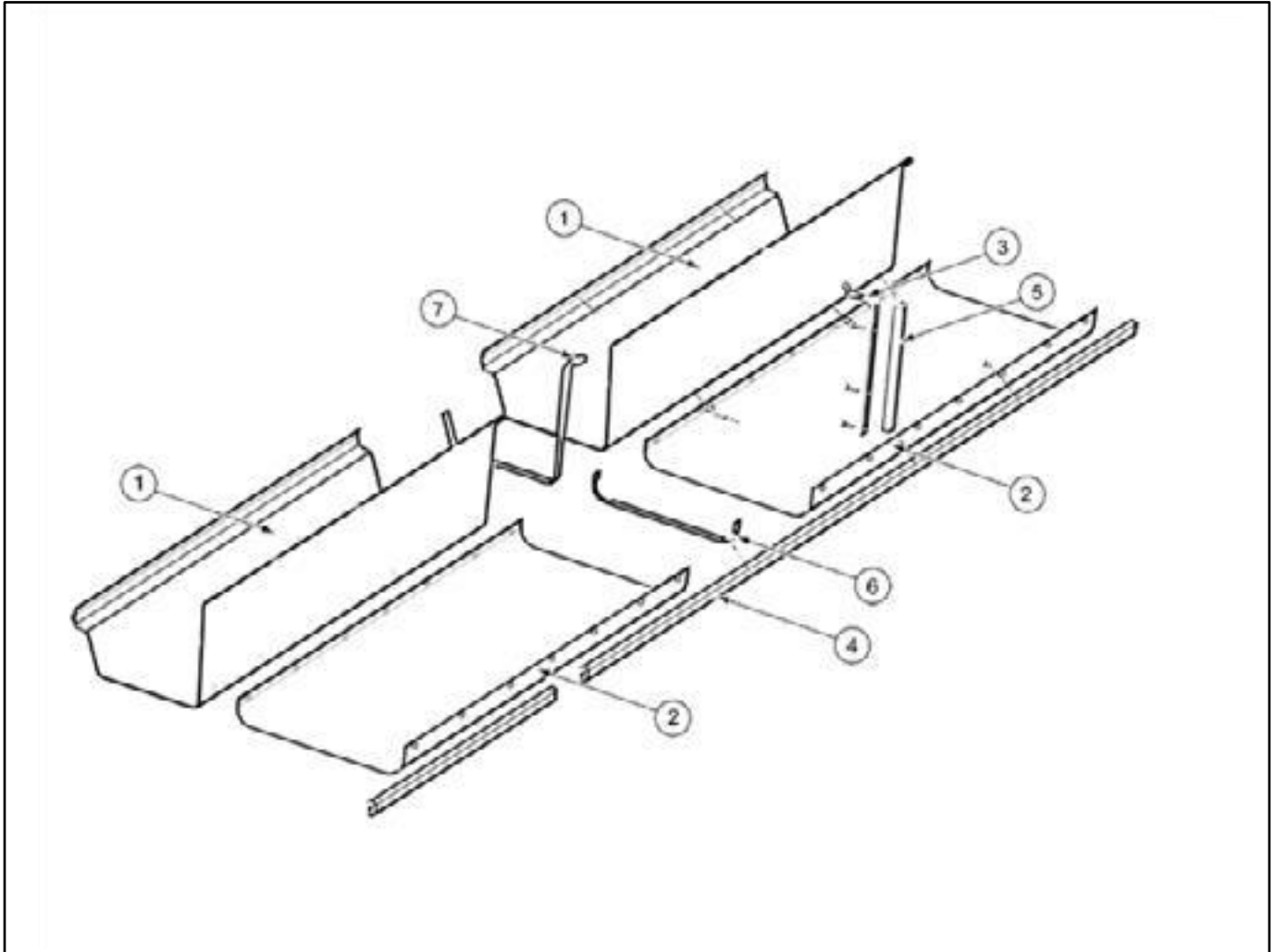
## underfloor luggage - 72" 0415264

<i>ITEM PART NO. DESCRIPTION</i>	<i>QTY</i>	<i>ITEM PART NO. DESCRIPTION</i>	<i>QTY</i>
<b><i>0415142 Door, Underfloor Luggage 72"</i></b>		<b><i>0415154 Drawer, Underfloor Luggage 72"</i></b>	
01 0970105 Panel, Gelcoat 48 x 96	.3	NS 0378112 Drawer, Underfloor Luggage 72"	1
02 4970677 Latch, Slam SS System	1	NS 4970678 Side, Slide 3" x 22"	2
3371729 Shim, Underfloor Luggage Door	2		
4570132 Tube, Frame .125" x 1" x 1" x 8' Alum.	2.3	<b><i>0415155 Box, Underfloor Luggage W/Brackets</i></b>	
4570109 Plate, Frame Diamond Alum 1/8 x 4 x 8.1		NS 0378078 Box, Underfloor Luggage 72"	1
<b><i>0415071 Frame, Extrusion Underfloor 72"</i></b>		NS 0378111 Bracket, Underfloor Luggage	2
NS 4570105 Z, .75 x 1 x 2 x 120 Aluminum	1.7	NS 0378113 Bracket, Slider Underfloor Luggage	2



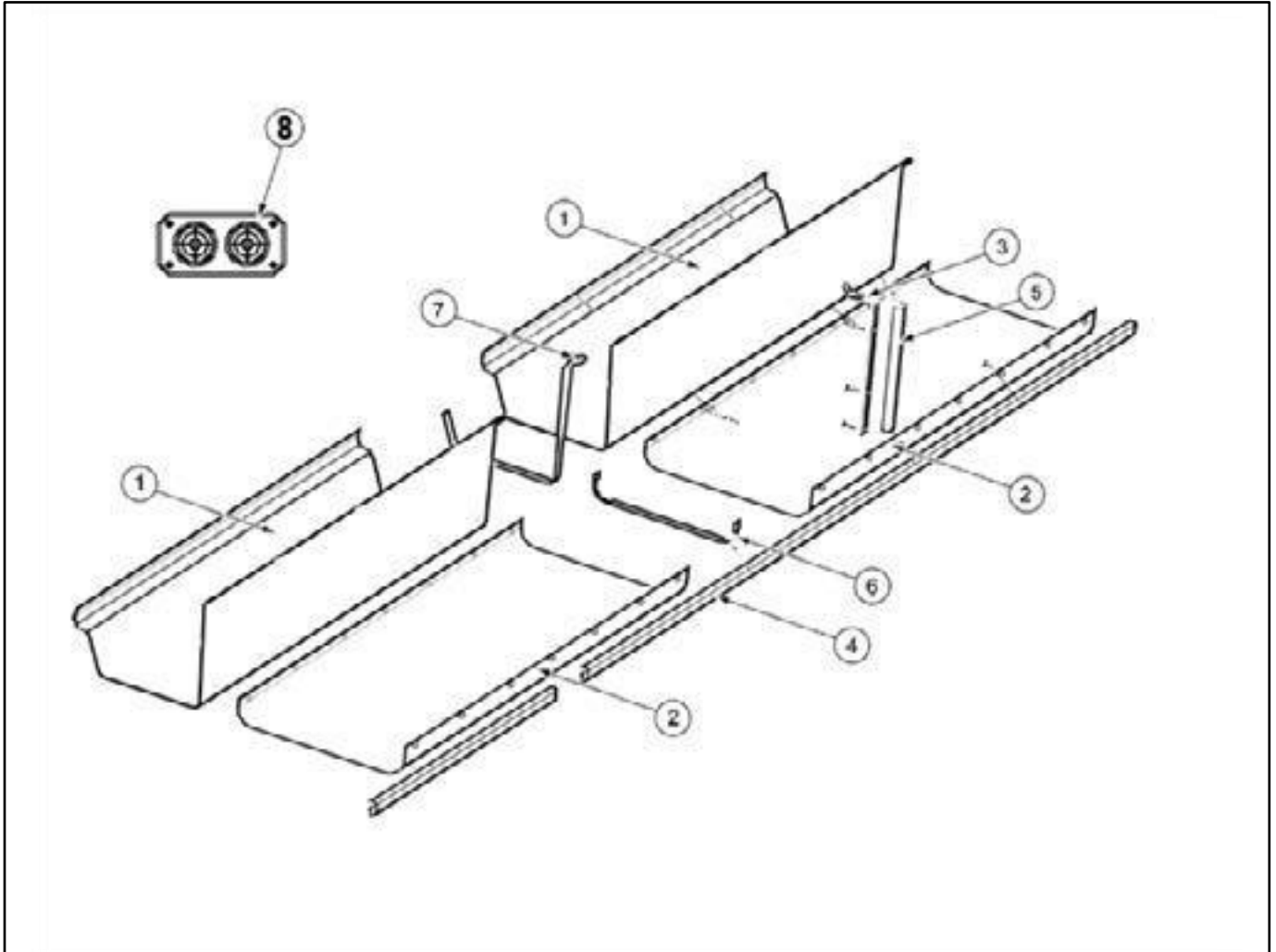
## DROP LUGGAGE ASSY DF-M2 0419392 (REV-b)

ITEM	PART NO.	DESCRIPTION	QTY	ITEM	PART NO.	DESCRIPTION	QTY
01	0376826	Pan, Z 1 x 10 x 1 x 89"	2.5	05	0374105	Tube, .19 x 2 x 2 x 93.5	3
02	0376826	Pan, Z 1 x 10 x 1 x 23.19	2	06	0374105	Tube, .19 x 2 x 2 x 6.88	4
3	0376826	Pan, Z 1 x 10 x 1 x Cut to Width	2	NS	0374105	Tube, .19 x 2 x 2 x Cut to Width	4
4	4370067	Steel, Coil .021 x 36.0 Galv. Underbelly	2	NS	0376822	Spacer, Chevy 2011 Mount Puck	2



**pretoria parcel rack, 94" Wide**  
**0421787**

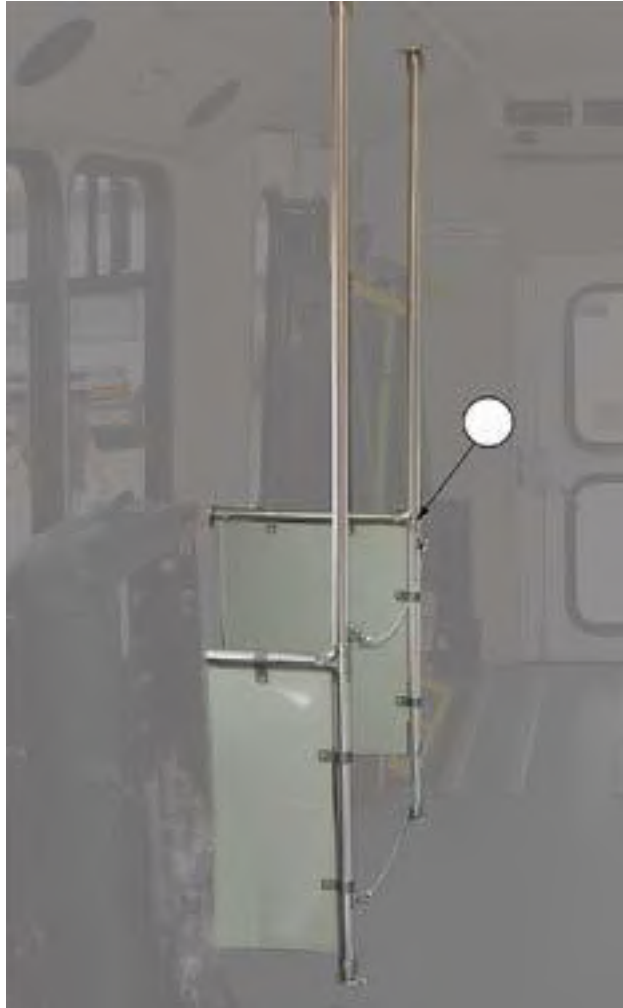
<i>ITEM PART NO. DESCRIPTION</i>	<i>QTY</i>	<i>ITEM PART NO. DESCRIPTION</i>	<i>QTY</i>
01 3371626 Duct, A/C 4'	13	NS	
02 3371614 Rack, Parcel 4'	9		
3 3371615 Bracket, Hanger Parcel Rack	16		
4 3371616 Extrusion, Rail 14'	4		
5 3371620 Cover, Hanger Bracket	16		
6 3371621 Trim, ABS OPR	9		
7 3371629 Trim, ABS Duct	13		
NS 1570306 Carpet, Cargo Liner Charcoal 72"	5		
NS 3371627 Endcap, LH Rack/Duct	7		
NS 3371628 Endcap, RH Rack/Duct	7		
NS 0377658 Chord, 3/16" Dia. Elastic Black Bungie	36		
NS 7371670 Fabric, Paragon W/PSA Pewter CMI	18		
NS 8971562 Fastener, 3/16 x .040-.354 Klamptite	50		



## pretoria parcel rack, 94" Wide 0422670

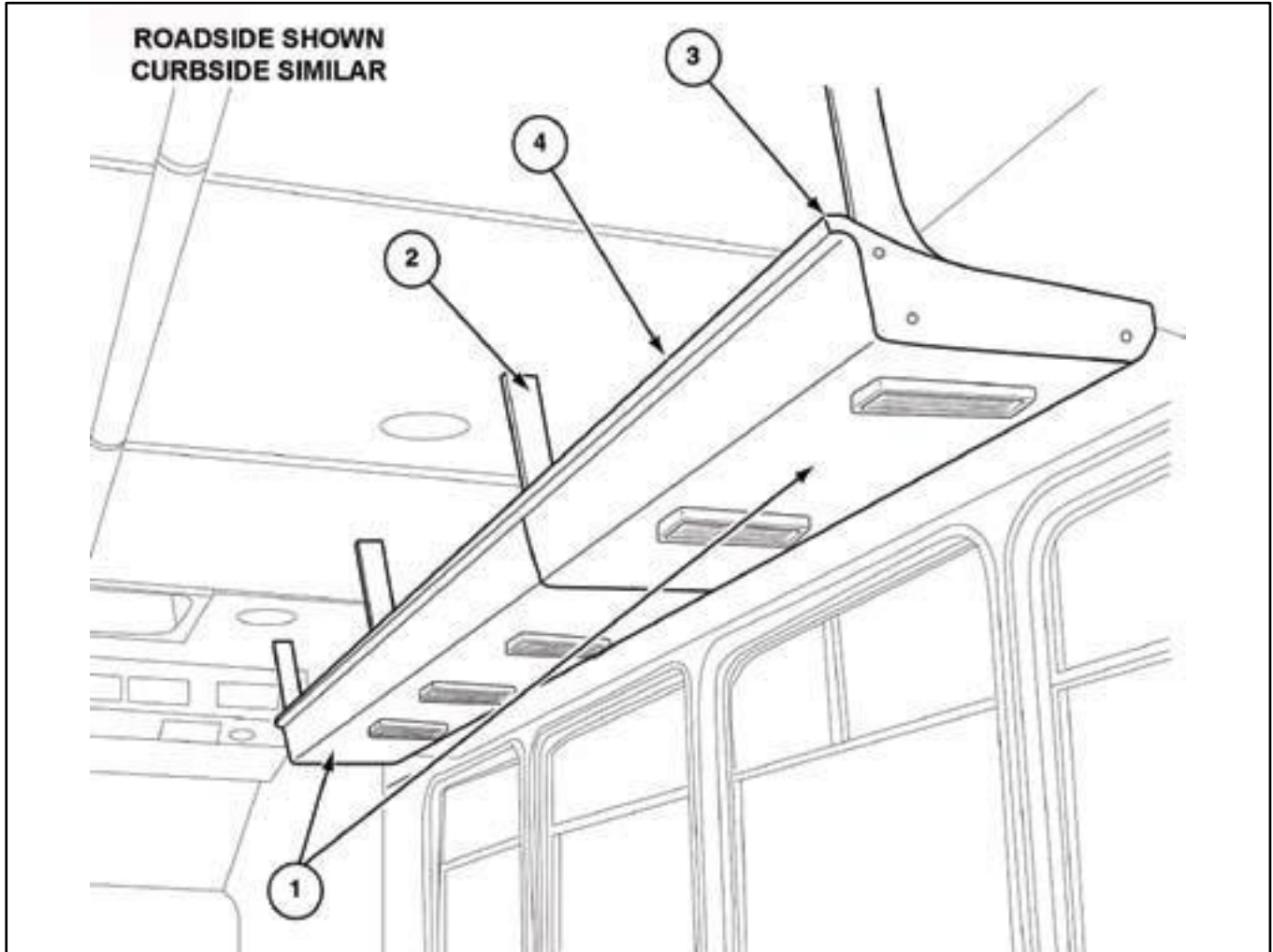
<i>ITEM PART NO. DESCRIPTION</i>	<i>QTY</i>	<i>ITEM PART NO. DESCRIPTION</i>	<i>QTY</i>
01 3371626 Duct, A/C 4'	10	NS 0377658 Chord, 3/16" Dia. Elastic Black Bungie 36	9
02 3371614 Rack, Parcel 4'	14	NS 7371670 Fabric, Paragon W/PSA Pewter CMI	50
3 3371615 Bracket, Hanger Parcel Rack	10	NS 8971562 Fastener, 3/16 x .040-.354 Klamptite	4.5
4 3371616 Extrusion, Rail 14'	3	NS 4540142 Angle, Aluminum (1 x 1.5 x 9')	8
5 3371620 Cover, Hanger Bracket	11	NS 0342580 Steel, Flat (11GA x 3 x 10')	
6 3371621 Trim, ABS OPR	7		
7 3371629 Trim, ABS Duct	8		
8 3973761 Light, Double W/Switches	14		
NS 3974526 Harness, Center Lights	3		
NS 3974666 Harness, Parcel Rack Extension	2		
NS 1570306 Carpet, Cargo Liner Charcoal 72"	4.5		
NS 3371627 Endcap, LH Rack/Duct	2		
NS 3371628 Endcap, RH Rack/Duct	2		





## WALKER STORAGE 0404624

<u>ITEM PART NO. DESCRIPTION</u>	<u>QTY</u>	<u>ITEM PART NO. DESCRIPTION</u>	<u>QTY</u>
NS 0402668 Stanchion, Modesty CH/CR	1		
NS 0404625 Stanchion, W/ 24" x 19" Modesty Panel	1		
NS 0346494 Tube, .065 x 1.25 x 17' S/S Clad	AR		
NS 0346379 Fitting, S/S Tee #1495	2		



## **overhead parcel rack all assemblies (rev-a)**

<u>ITEM</u>	<u>PART NO.</u>	<u>DESCRIPTION</u>	<u>QTY</u>	<u>ITEM</u>	<u>PART NO.</u>	<u>DESCRIPTION</u>	<u>QTY</u>
1	3371211	Rack, Parcel Overhead 4' R/S & C/S	AR	NS	0350769	Channel, Str .75x1.5x.75x89.75 16G	AR
	3371210	Rack, Parcel Overhead 3' R/S & C/S	AR	NS	0342428	Steel, Flat 14GA/16GA x 6 x 96.0	AR
	3371209	Rack, Parcel Overhead 2' R/S & C/S	AR	NS	4540142	Angle, Aluminum 1 x 1.5 x x 12'	AR
	3371220	Cap, Overhead Parcel Rack	AR		<b>0403629</b>	<b>Install, Light Double Bullet</b>	AR
2	0376964	Bracket, Parcel Support LH	AR	NS	3971720	Light, Double Aircraft W/Camlocks	AR
2	0376965	Bracket, Parcel Support RH	AR	NS	0412012	Install, Pigtail Double Bullet Light	AR
3	0374485P	Bracket, ABS O/H Lug RH Gray PW	AR		<b>0403157</b>	<b>Install, Light W/Out Switch</b>	AR
3	0346410P	Bracket, ABS O/H Lug RH Gray PW	AR	NS	3943917	Light, Dome Without Switch	AR
4	8970402	Trim, Grip W/Out Bulb 3/8" x 5/8"	AR	NS	3971539	Connector, AMP Mate-N-Lock Plug	AR
NS	1570211	Carpet, Aqua Turf Gray Metallic #585	AR	NS	3971543	Connectpr. AMP Mate-N-Lock Cap	AR
NS	4570096	Extrusion, Luggage Rack 241.0	AR	NS	3971730	Terminal, Pin Tape Mtd AMP	AR
NS	3974526	Harness, Center Lights	AR	NS	3971731	Terminal, Socket Tape Mounted AMPAR	
NS	3974666	Harness, Parcel Rack Extension	AR				
NS	0379703	Bracket, Parcel Rack Extension	AR				
NS	4570144	Cap, End "J" .19-1/4" x 16"	AR				
NS	0970024	Lumber, 2 x 6 x 96.0 #2	AR				

**NOTE: Some racks will have "Flocked" or "Auto Cloth" Covering. See your parts representative for more information.**



## OVERHEAD PARCEL RACK-FLOCKED ALL ASSEMBLIES

ITEM	PART NO.	DESCRIPTION	QTY	ITEM	PART NO.	DESCRIPTION	QTY
1	0408450A	<b>Install Rack Overhead Lugg Roadside (4')</b> NOTE: Parcel Rack part numbers & flocking same as listed below in the Curbside Assembly		05	0409199	<b>Brackets, Roadside &amp; Curbside</b>	
2	0407764A	<b>Install, Rack Overhead Lugg- Curbside (4')</b>		04	0374610	Bracket, ABS Overhead Lug L/H	AR
	0407765A	<b>Install, Rack Overhead Lugg - Curbside (3')</b>			0374485	Bracket, ABS Overhead Lug R/H	AR
	0407766A	<b>Install, Rack Overhead Lugg - Curbside (2')</b>			0376964	Bracket, Parcel Rack Support L/H	AR
	3371211	Rack, Parcel Overhead 4'	3		0376965	Bracket, Parcel Rack Support R/H	AR
	3371210	Rack, Parcel Overhead 3'	1	04	0374485P	Bracket, ABS Overhead Lug Gray PW	AR
	3371209	Rack, Parcel Overhead 2'	1	NS	1570211	Carpet, Aqua Turf Gray Metallic #585	1
	9770074	Rack, Parcel Flocked 4'	1	NS	4570144	Cap, End "J" .19 1/4" x 16"	2
	9770073	Rack, Parcel Flocked 3'	1	NS	8970402	Trim, Grip W/Out Bulb 3/8" x 5/8"	1.5
	9770072	Rack, Parcel Flocked 2'	1	03	4570096	Extrusion, Luggage Rack 241.0	2
NS	0408810	<b>Light Without Switch</b>		NS	3972921	Harness, Parcel Rack Lights	1
	3943917	Light, Dome Without Switch	5	NS	3371220	Cap, Overhead Parcel Rack	4
	3973881	Switch, Carling, On/Off	1	NS	0342428	Steel, Flat 14/16GA x 6 x 96.0	5
	3970183	Terminal, QKDisc/FemNon-Ins 16-14	4	NS	0350769	Channel, STR 3/4 x 1.5 x 3/4 x 89 3/4 16 GA	AR
	3947066	Connector, RT 10-4848	1	N/S	0408959	<b>Light, Double Bullet</b>	
					3971720	Light, Double Aircraft with Camlocks	1
					3971730	Terminal, Pin Tape Mounted	2



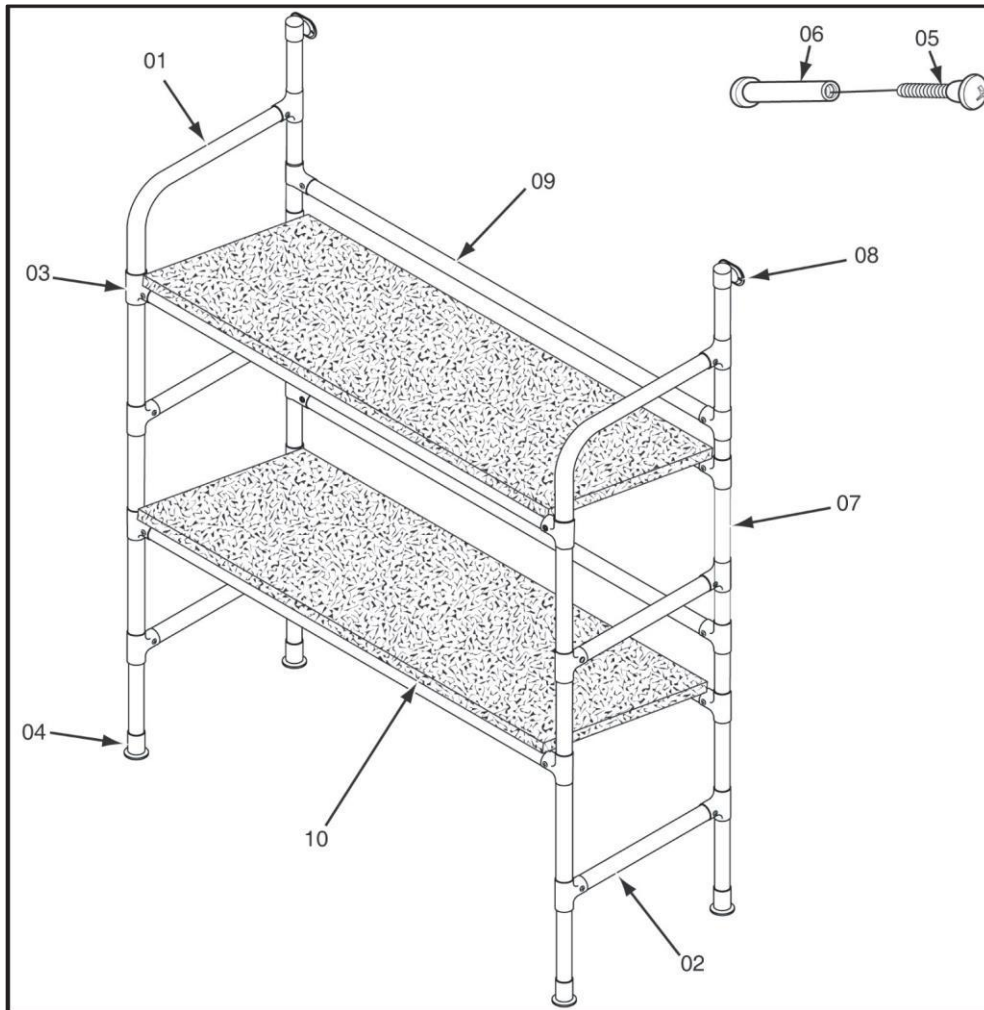
## luggage shelving 0404766

<i>ITEM PART NO. DESCRIPTION</i>	<i>QTY</i>	<i>ITEM PART NO. DESCRIPTION</i>	<i>QTY</i>
01 1570306 Carpet, Cargo Liner Charcoal 72"	3		
NS 0947614 Lumber, 1 x 6 x 96.0 #2	A/R		
NS 0970044 Plywood, 5/8 x 4 x 8	A/R		
NS 4570138 Angle, Aluminum .093 x 1 x 1 x 144	1		
NS 8570931 Screw, 8x1 Pan Quad	24		
NS 4540142 Angle, Aluminum 1 x 1.5 x 12'	A/R		



**LUGGAGE RACK 60" X 26" X 58"**  
**CX-000-900-4045, 0404518, 0402055**

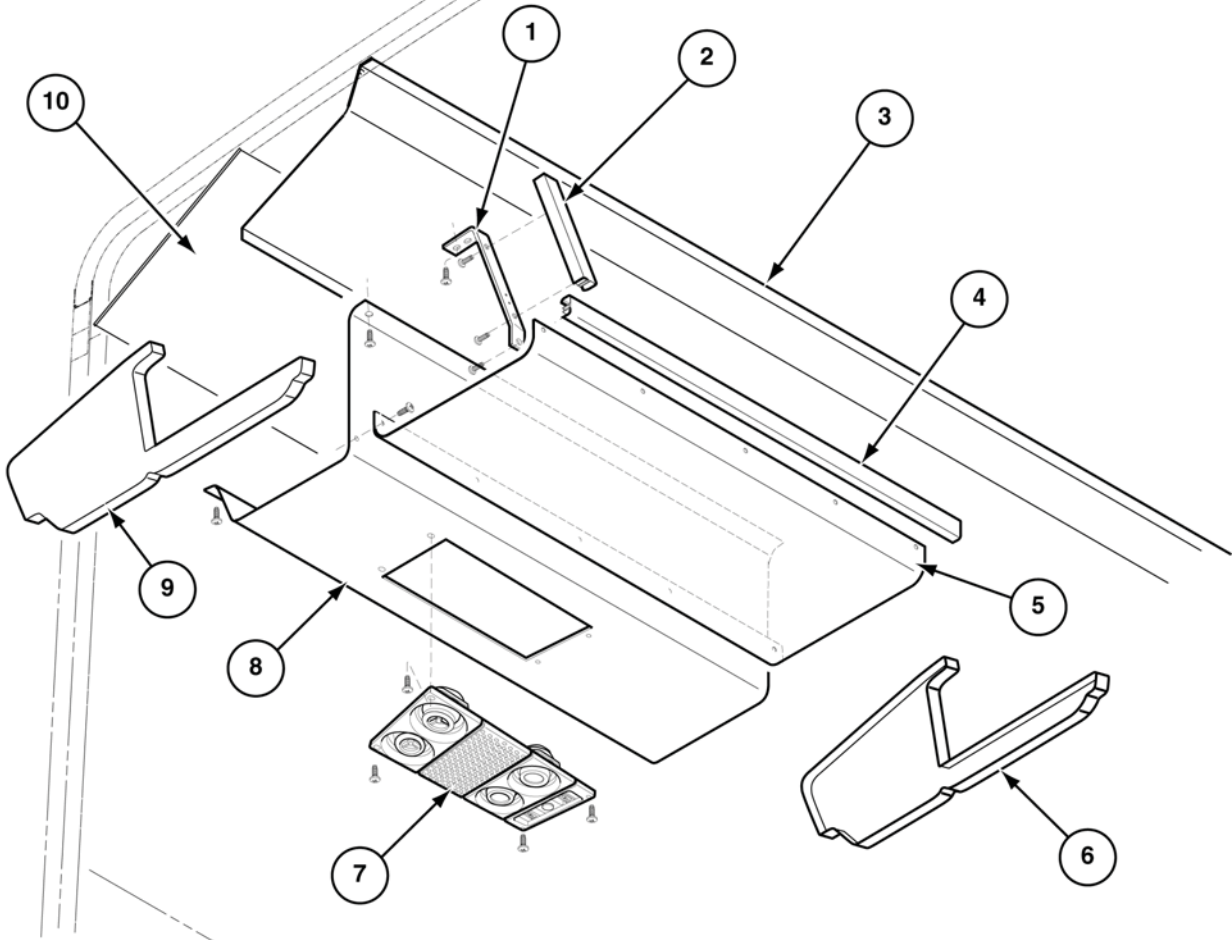
<i>ITEM PART NO. DESCRIPTION</i>	<i>QTY</i>	<i>ITEM PART NO. DESCRIPTION</i>	<i>QTY</i>
<b>0402055 End, Luggage Rack Assembly</b>		<b>0404515 Luggage Rack Assembly</b>	
01 0375842 Tube, .065 x 1.25 x 12' S/S 180Grid	1	08 0970009 Plywood, 5/8 x 48 x 96 Sturdi-Floor	AR
02 0346494 Tube, .065 x 1.25 x 17' S/S 180Grid	.3	08 1570211 Carpet, Aqua Turf Gray Metallic #585	AR
03 0346379 Fitting, S/S Tee #50100	10	08 4570063 Rail, Rub 16' Loxite White	AR
04 0343695 Fitting, S/S Bottom	2	08 0346494 Tube, .065 x 1.25 x 17' S/S 180Grid	1.5
05 0375842 Tube, .065 x 1.25 x 12' S/S 180Grid	1	NS 0970048 Plywood, 5/8 x 4 x 8 CDX-PTS Untr	AR
06 0348235 Fitting, S/S Bottom Oval 90°	1	04 0343695 Fitting, S/S Bottom #49011	2
07 0346494 Tube, .065 x 1.25 x 17' S/S 180Grid	.3	03 0346379 Fitting, S/S Tee #1495	2
NS 0346478 Bolt, Stanchion 1422 Male	12	NS 8570706 Screw, 10 x 1 1/2 Pan Quad Zinc	12
NS 0346460 Nut, Stanchion 1423 Female	12	NS 8570935 Screw, 8 x 1 Flat QDX T2 Clear EMP	10
		NS 8570788 Screw, 8 x 3/4 Square S/S Self Drill	2



**LUGGAGE RACK 52" X 24" X 58"**  
**CX-000-900-2958, 0404517, 0402055**

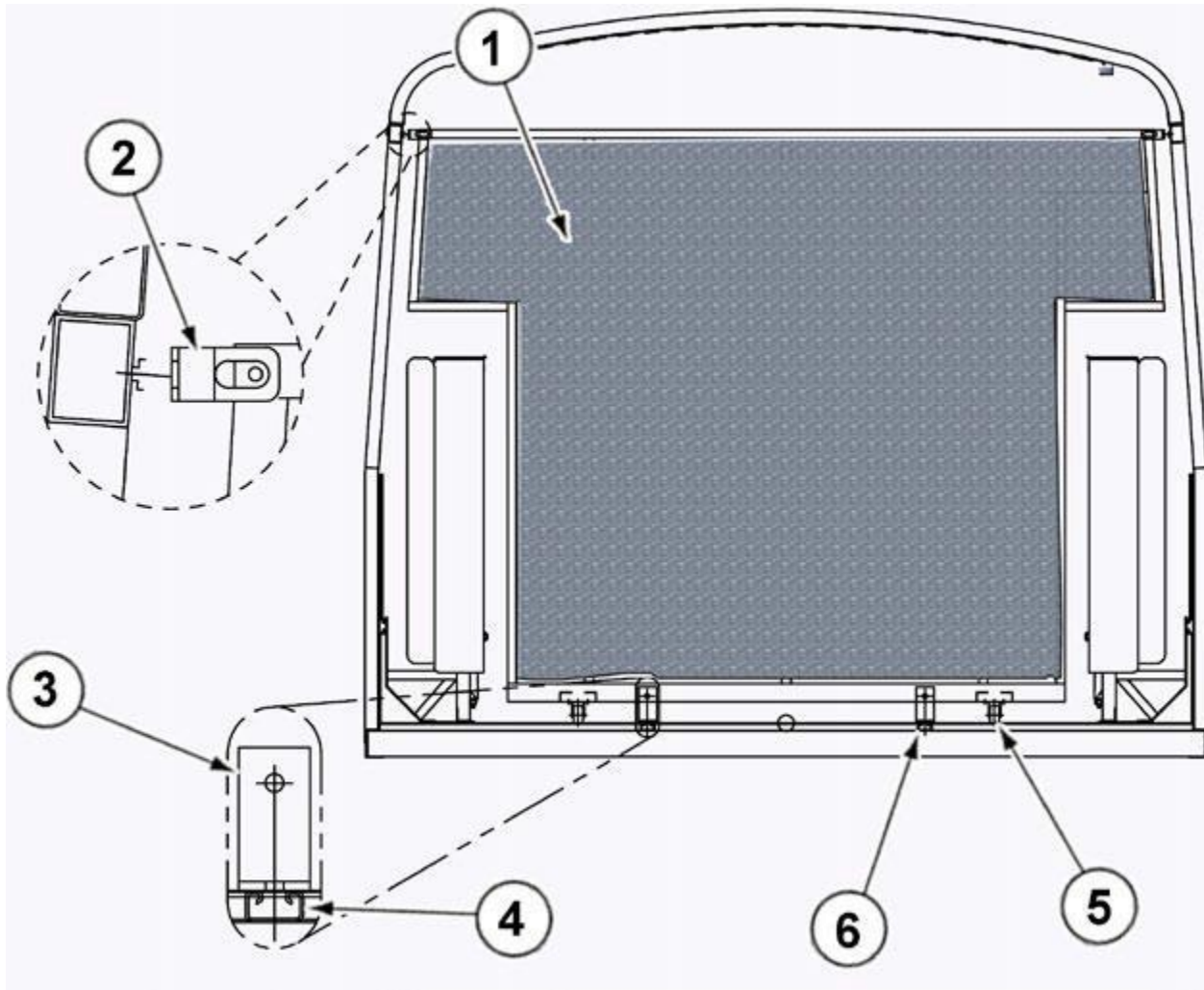
<i>ITEM PART NO. DESCRIPTION</i>	<i>QTY</i>	<i>ITEM PART NO. DESCRIPTION</i>	<i>QTY</i>
<b>0402055 End, Luggage Rack Assembly</b>		<b>0404515 Luggage Rack Assembly</b>	
01 0346494 Tube, .065 x 1.25 x 17' S/S Clad	.3	10 0970009 Plywood, 5/8 x 48 x 96 Sturdi-Floor	AR
02 0375842 Tube, .065 x 1.25 x 12' S/S 180Grid	1	10 1570211 Carpet, Aqua Turf Gray Metallic #585AR	AR
03 0346379 Fitting, S/S Tee #50100	10	10 3349636 Insert, Black Rub Rail (500' Roll)	AR
4 0343695 Fitting, S/S Bottom	2	10 4570063 Rail, Rub 16' Loxite White	AR
5 0346478 Bolt, Stanchion 1422 Male	12		
6 0346460 Nut, Stanchion 1423 Female	12		
07 0375842 Tube, .065 x 1.25 x 12' S/S 180Grid	1		
08 0348235 Fitting, S/S Bottom Oval 90°	1		
09 0346494 Tube, .065 x 1.25 x 236" S/S 180GR	1		

CURBSIDE SHOWN  
ROADSIDE SIMILAR



**INSTALL PRETORIA PARCEL RACK  
0412850**

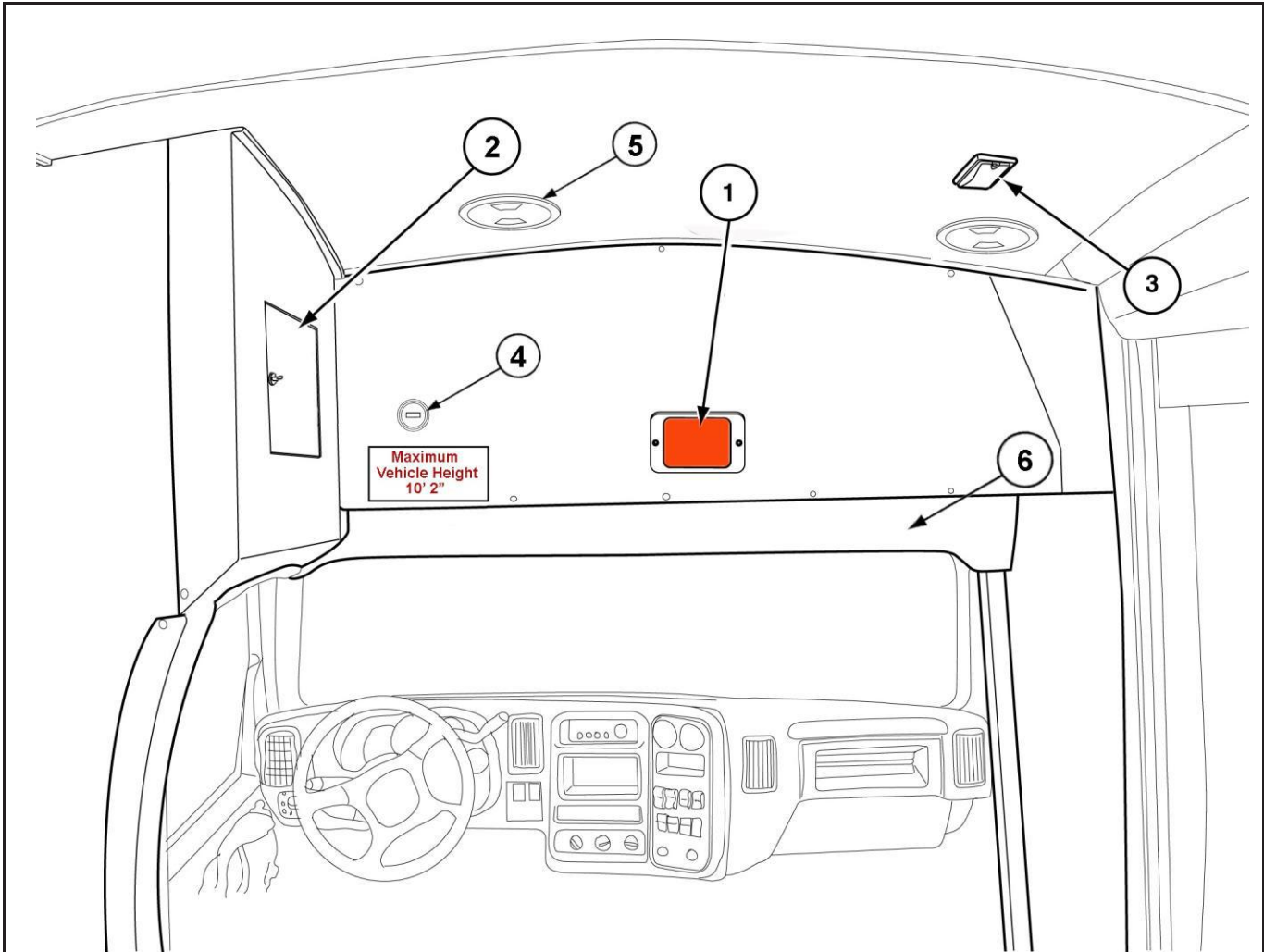
ITEM	PART NO.	DESCRIPTION	QTY	ITEM	PART NO.	DESCRIPTION	QTY
1	3371615	BRACKET, PARCEL RACK HANGER	12	6	3371618	ENDCAP, DUCT/PARCEL RACK REAR	2
2	3371620	COVER HANGER BRACKET	12	7	3973257	COMBINATION ASM., VENT/LIGHTS	15
3	3371611	PLENIUM, ROOF A/C COVER	2	08	3371612	A/C DUCT (4')	6
4	3371616	EXTRUSION, A/C DUCT	12	9	3371617	ENDCAP, DUCT/PARCEL RACK FRONT	2
5	3371614	RACK, PARCEL	6	10	3371610	PANEL, OVERHEAD TRANSITION	2
				N/S	0377659	VENT, 2" ROUND BLACK	AR
				N/S	3371622	TRIM, ABS DUCT (PRETORIA)	10
				N/S	3371621	TRIM, ABS OPR (PRETORIA)	10



## Moveable luggage Wall W/std hatch cX-000-900-3105f, 0404555, 0415239, 0415196

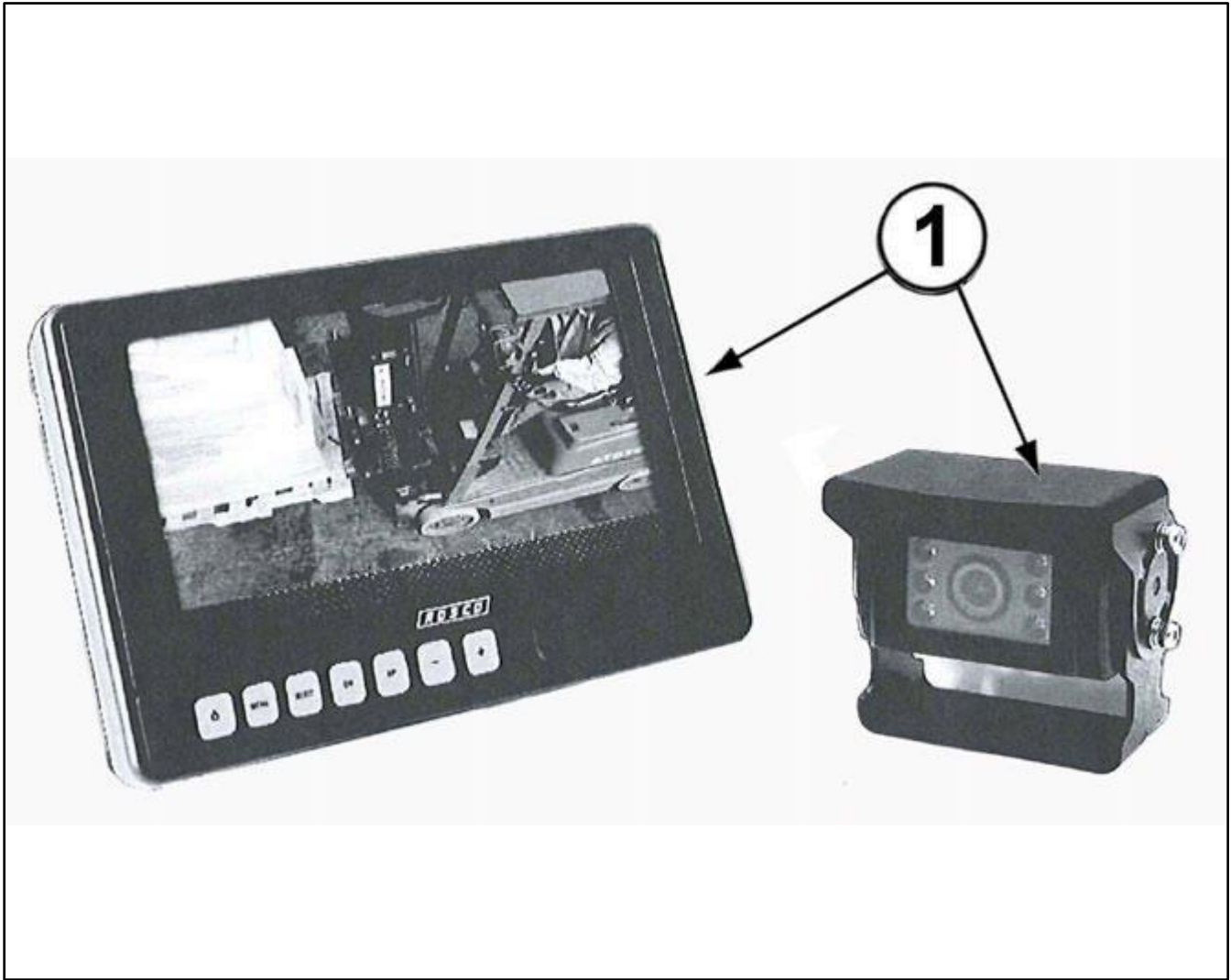
ITEM	PART NO.	DESCRIPTION	QTY	ITEM	PART NO.	DESCRIPTION	QTY
00	<b>CX-000-900-3105F</b>	<b>Moveable Lugg Wall With ADA Foldaway Seat</b>		01	<b>0415196</b>	<b>Moveable Lugg 3/4 Hgt Foldaway 94"</b>	
	0415196	See List Below	1		0741058	Insulation, Board 1.0 x 48 x 96 #2 VI	3
	0404555	See List Below	1		1570283	U-Channel, Rigid 1-1/8" x 8' Dull White	8
NS	0379178	Screen, Window Luggage Rear Door	1		1570306	Carpet, Cargo Liner Charcoal 72"	5
	<b>CX0000074004</b>	<b>Install, Hatch Escape STD Contour</b>			9270834	Adhesive, APP to Avalon Ash	5
NS	1770663	Hatch, Escape Non-Static	1		4570133	Tube, .125 x 1" x 2" x 8' Aluminum Rd	1.5
					0970116	Filon, 48" x 96" .035 Smooth White	2
01	<b>0415239</b>	<b>Install, Movable Luggage Wall w/Hatch</b>	1		4570132	Tube, .125" x 1" x 1" x 8'	4
2	0379236	Bracket, 2.50" x 1.00" Moveable Lugg Wall	2		4570152	Tube, Aluminum Sq. Edge .125 x 1" x 6" x 8'	1
NS	4570061	Track, Tiedown Aluminum-L W/O Flange (Wall)	1	06	<b>0404555</b>	<b>Install, Track Moveable Lugg Wall</b>	
3	0377896	Angle, .24 x 3 x 4 Structure	2		0377052	Chanel, Seat Track 10'	2
4	0375851	Nut, Unistrut W/Spring (Track Seating)	4		3371138	Cover, Channel Seat	2
	8541922	Bolt, Hex 3/8 x-16 x 3/4 GR5 Plated	2		0374644	Steel, Flat 11GA x 4 x 10'	2
	8570509	Washer, Flat 3/8 USS GR8 Zinc	2		3370046	Insert, Clear Seat Track	2
5	4970469	Caster, W/Brake 2" Rubber Wheel	2				
NS	7371604	Kit, Mount Series L (FE-200747)	2				





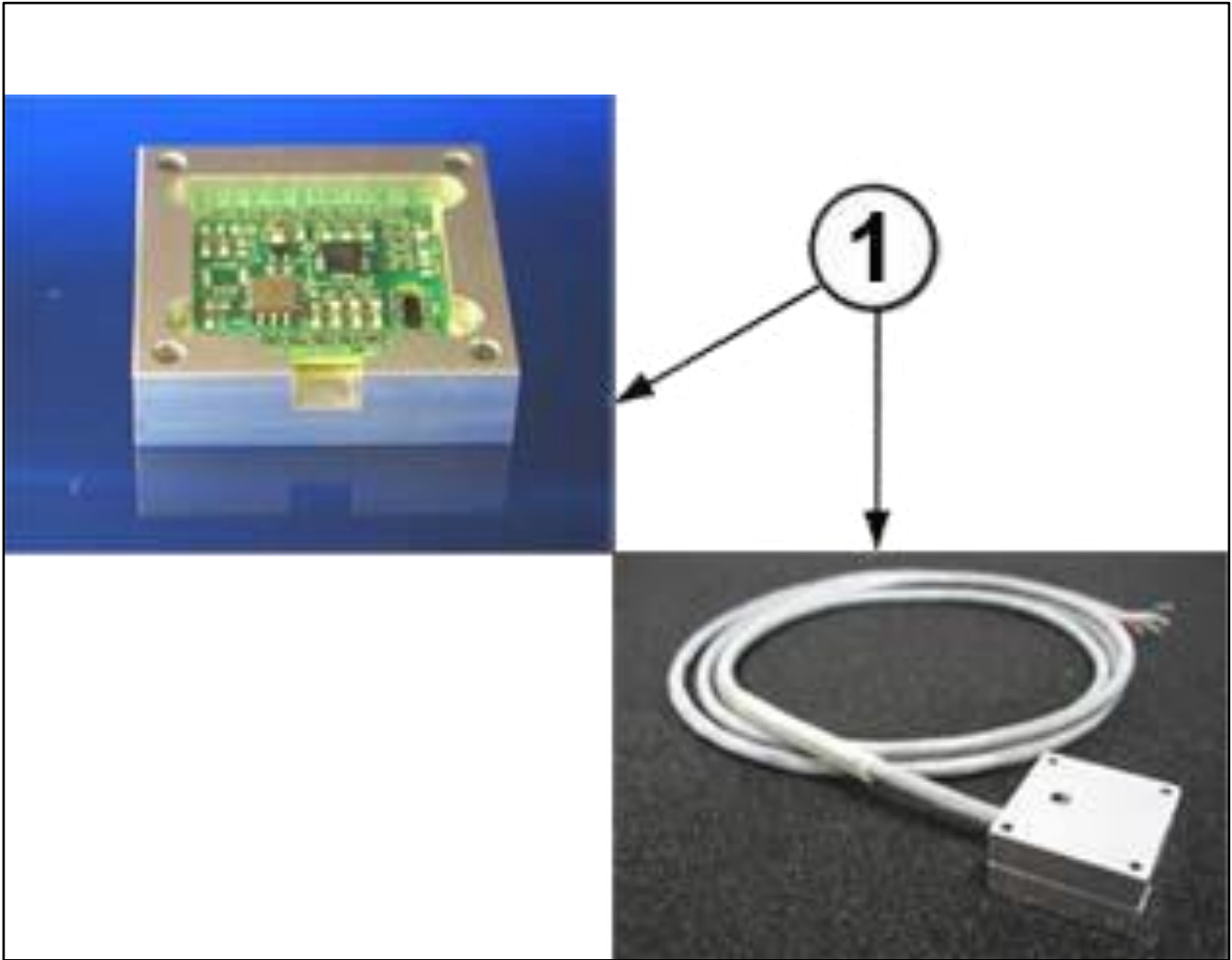
**Permit Holder, Hour meter**  
**0413219 / 0418498 / CX0000023097 (reV-A)**

<i>ITEM</i>	<i>PART NO.</i>	<i>DESCRIPTION</i>	<i>QTY</i>	<i>ITEM</i>	<i>PART NO.</i>	<i>DESCRIPTION</i>	<i>QTY</i>
<b>0413219 HOLDER, PERMIT</b>				<b>CX0000012955 ENGINE HOUR METER</b>			
01	6570116	Holder, Permit #43424	1	04	3944741	Meter, Hour 331-020	1
NS	0342428	Steel, Flat 16GA x 6 x 96"	AR	<b>0403063 PORT ACCESS 5.0</b>			
2	3371928	Door, Electric Panel Access	1	05	3342144	Port, Access 5.0	2
<b>CX0000023097 DOME LIGHT, DOOR ACTUATED</b>				06	3371793	Windshield Cap	1
3	3943917	Light, Dome W/Out Switch	1	NS	3371243	Front Board Panel	1



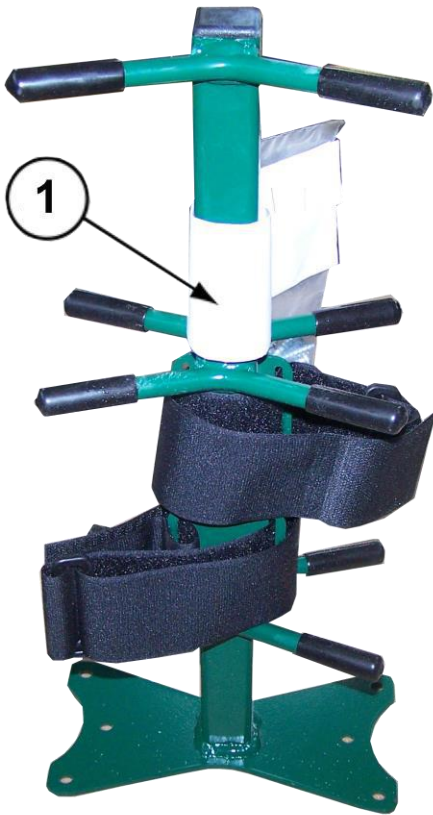
**ROSCO BACKUP CAMERA - HTD  
3975372**

<i>ITEM</i>	<i>PART NO.</i>	<i>DESCRIPTION</i>	<i>QTY</i>	<i>ITEM</i>	<i>PART NO.</i>	<i>DESCRIPTION</i>	<i>QTY</i>
00	3975372	Camera, Backup Heated Rosco	1				



## Quest Data signal RecoRDeR 0420689

<u>ITEM</u> <u>PART NO.</u> <u>DESCRIPTION</u>	<u>QTY</u>	<u>ITEM</u> <u>PART NO.</u> <u>DESCRIPTION</u>	<u>QTY</u>
NS 3975671 Recorder, Data Signal Quest FDOT	1		



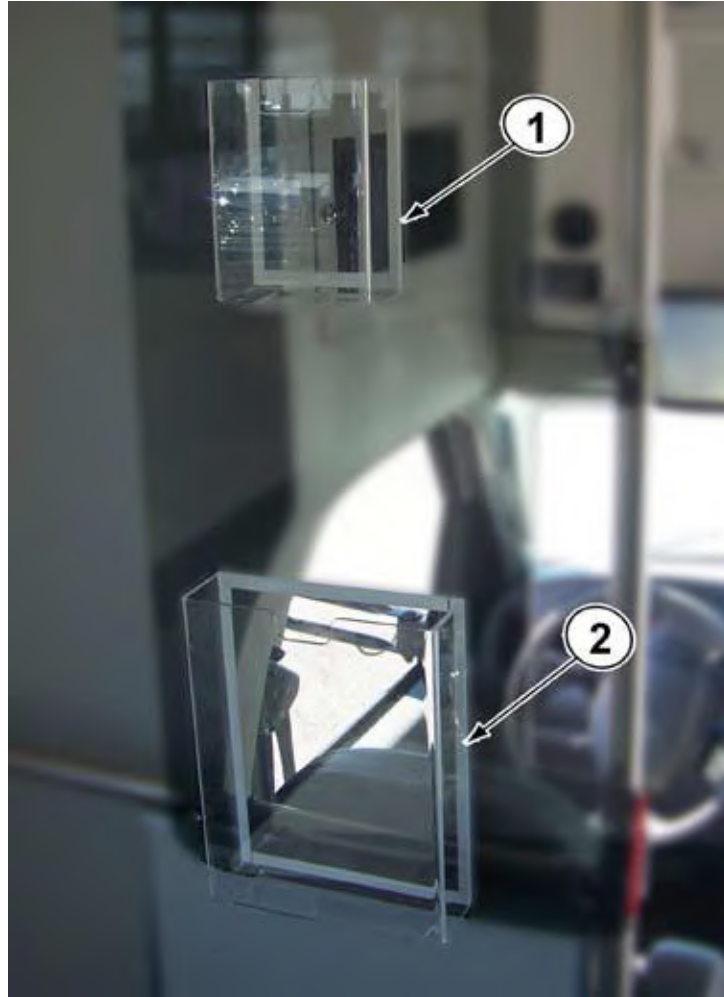
## Oxygen Tank hOlder 0416427

ITEM PART NO. DESCRIPTION	QTY	ITEM PART NO. DESCRIPTION	QTY
01 0378675 Rack, Oxygen Tank	1		



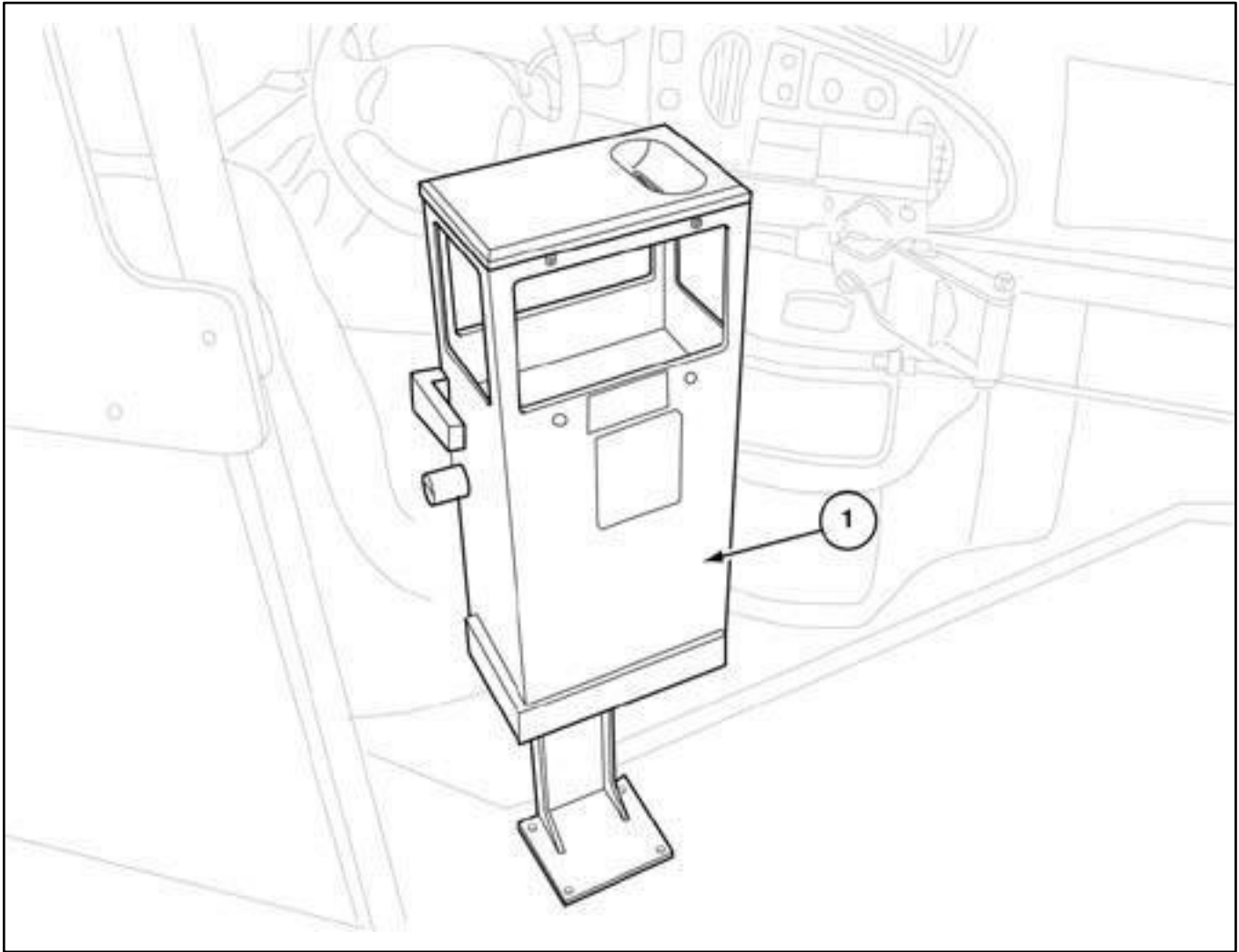
**schedule holder (4" x 9")**  
**0412466**

<i>ITEMPART NO.</i>	<i>DESCRIPTION</i>	<i>ITEMPART NO.</i>	<i>DESCRIPTION</i>
01	4970556 Pocket, Literature Rack 4.0 x 9.0	1	



**clear card holders**  
**0416200 / 0416201**

<i>ITEM PART NO. DESCRIPTION</i>	<i>QTY</i>	<i>ITEM PART NO. DESCRIPTION</i>	<i>QTY</i>
<b>0416200</b>		<b>0416201</b>	
1 3371787 Install, Holder Card 5" x 7" Clear	1	2 3371786 Install, Holder Card 9" x 12" Clear	1



## diamond farebox with stand 0413004

<i>ITEM PART NO. DESCRIPTION</i>	<i>QTY</i>	<i>ITEM PART NO. DESCRIPTION</i>	<i>QTY</i>
<b>0413004 Install, Farebox Diamond RV W/Stand</b>			
01 6570113 Farebox, Diamond RV W/Stand	1		
<b>CH-000-900-0004 Farebox Prep</b>			
NS 0346494 Tube, .065 x 1¼ x 17' S/S 180 Grid	AR		
0346395 Fitting, S/S Bottom TL 200	1		
0374008 Support, Grab Rail 4.03 S/S	1		
0377992 Plate, 3/16" x 8.88" x 12" HRS	1		
8570779 Screw, 10 x 1 Pan Head S/S	4		
8571066 Bolt, Binder Male & Female ¼	1		



**diamond farebox w/2 vaults**  
**0409378 / 0421385**

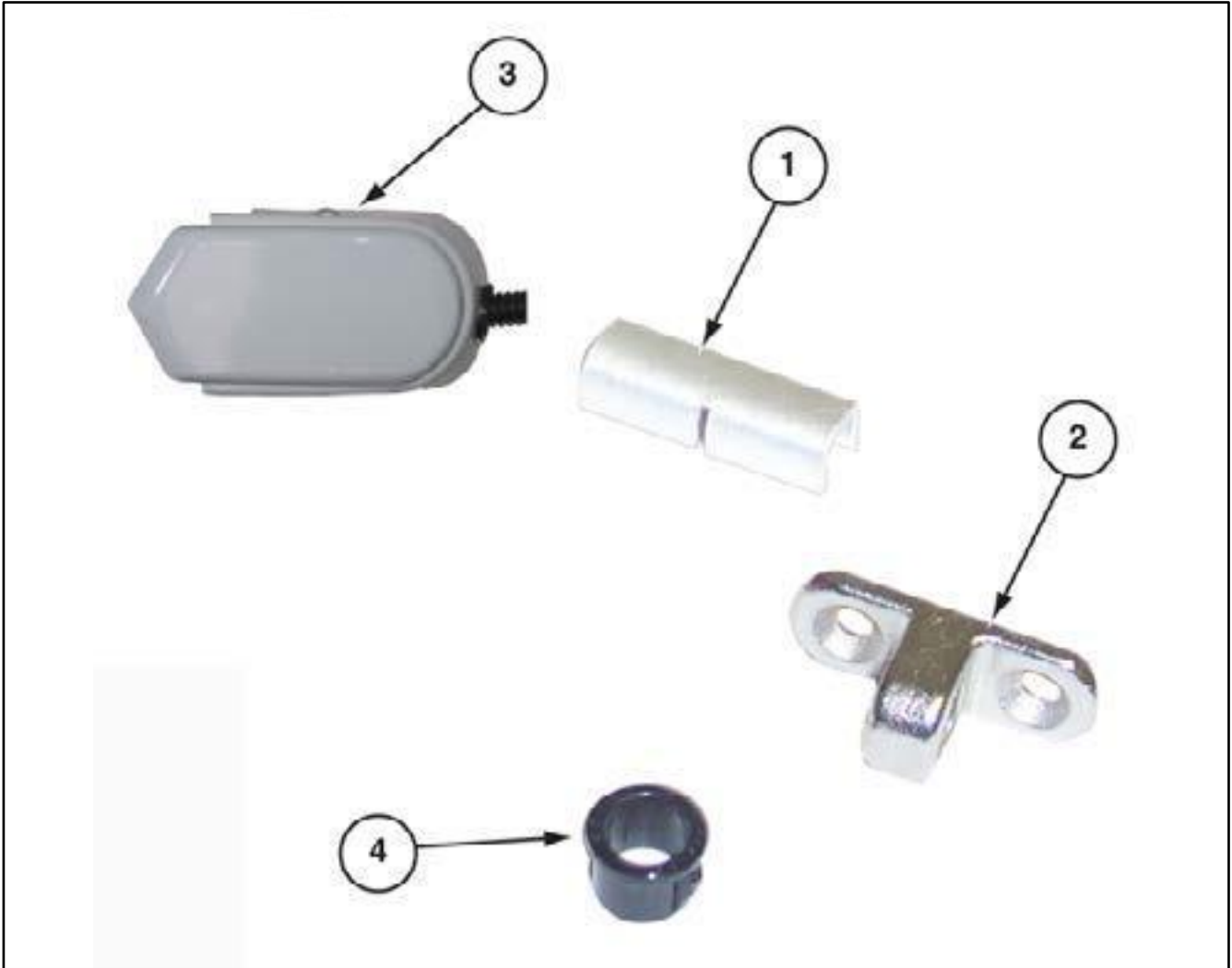
<i>ITEM</i>	<i>PART NO.</i>	<i>DESCRIPTION</i>	<i>QTY</i>	<i>ITEM</i>	<i>PART NO.</i>	<i>DESCRIPTION</i>	<i>QTY</i>
		<b>0409378 Install, Farebox Diamond SV W/2 Vaults</b>					
01	6570079	Farebox, Diamond Model SV W/2 Vaults	1				
		<b>NOTE: Picture is not exact replica of this model</b>					
		<b>0421385 Install, Vault Spare SV Diamond Farebox</b>					
NS	6570223	Vault, Spare SV Diamond Farebox	1				





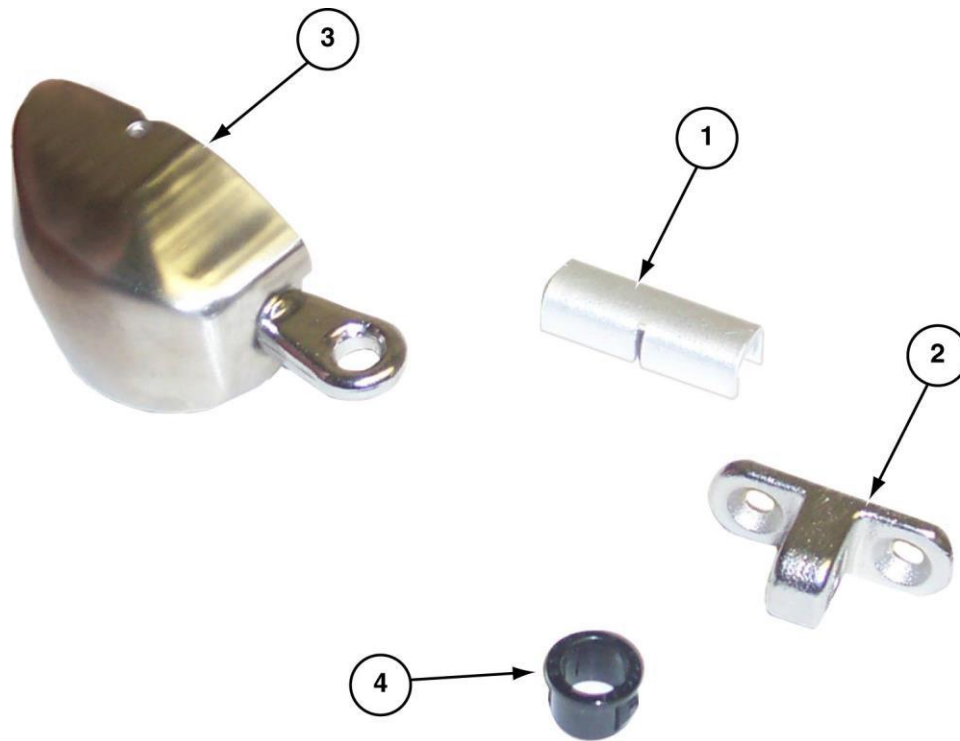
**diamond farebox w/2 vaults  
6570030**

<i>ITEM PART NO. DESCRIPTION</i>	<i>QTY</i>	<i>ITEM PART NO. DESCRIPTION</i>	<i>QTY</i>
01 6570030 Farebox, Diamond XV with 2 Vaults	1		



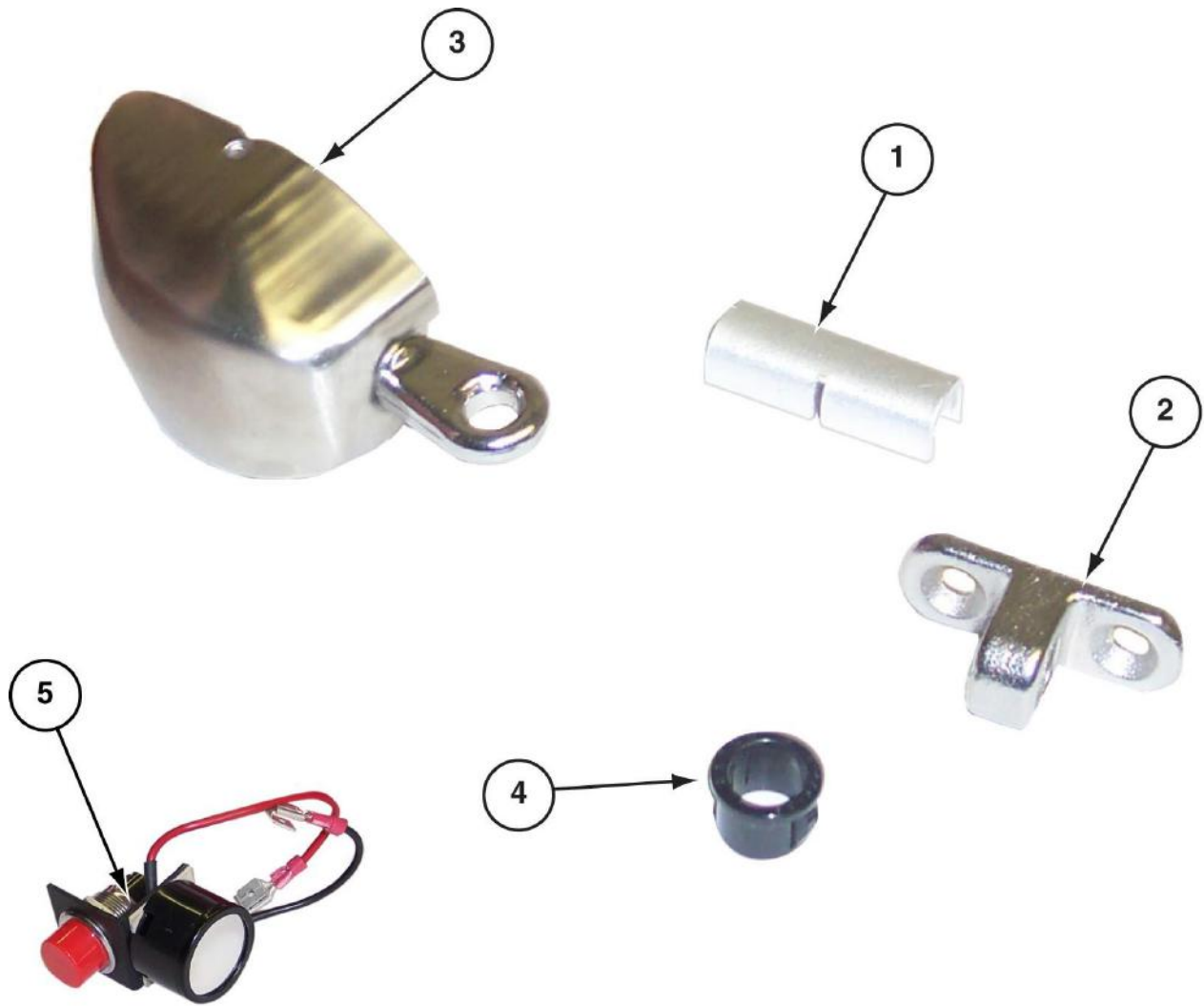
**passenger pull cord w/lighted buzzer**  
**ct-330-900-2822**

ITEM	PART NO.	DESCRIPTION	QTY	ITEM	PART NO.	DESCRIPTION	QTY
1	4970563	Guide, Pull Chord (Stamped) 90°	11				
2	4970538	Guide, Pull Chord (Cast)	11				
	4970715	Guide, Pull Chord (Cast) 90°	4				
3	3974280	Switch, Pull	2				
04	3971506	Bushing, Snap 1/2"	2				
NS	4970431	Cable, Pull Chord [3/16" DIA.]	A/R				
NS	4941654	Connector, Double (3/16)	4				
NS	4970692	Connector, Oval Sleeve Crimp 3/16	4				
NS	3970472	Breaker, 15 AMP	1				



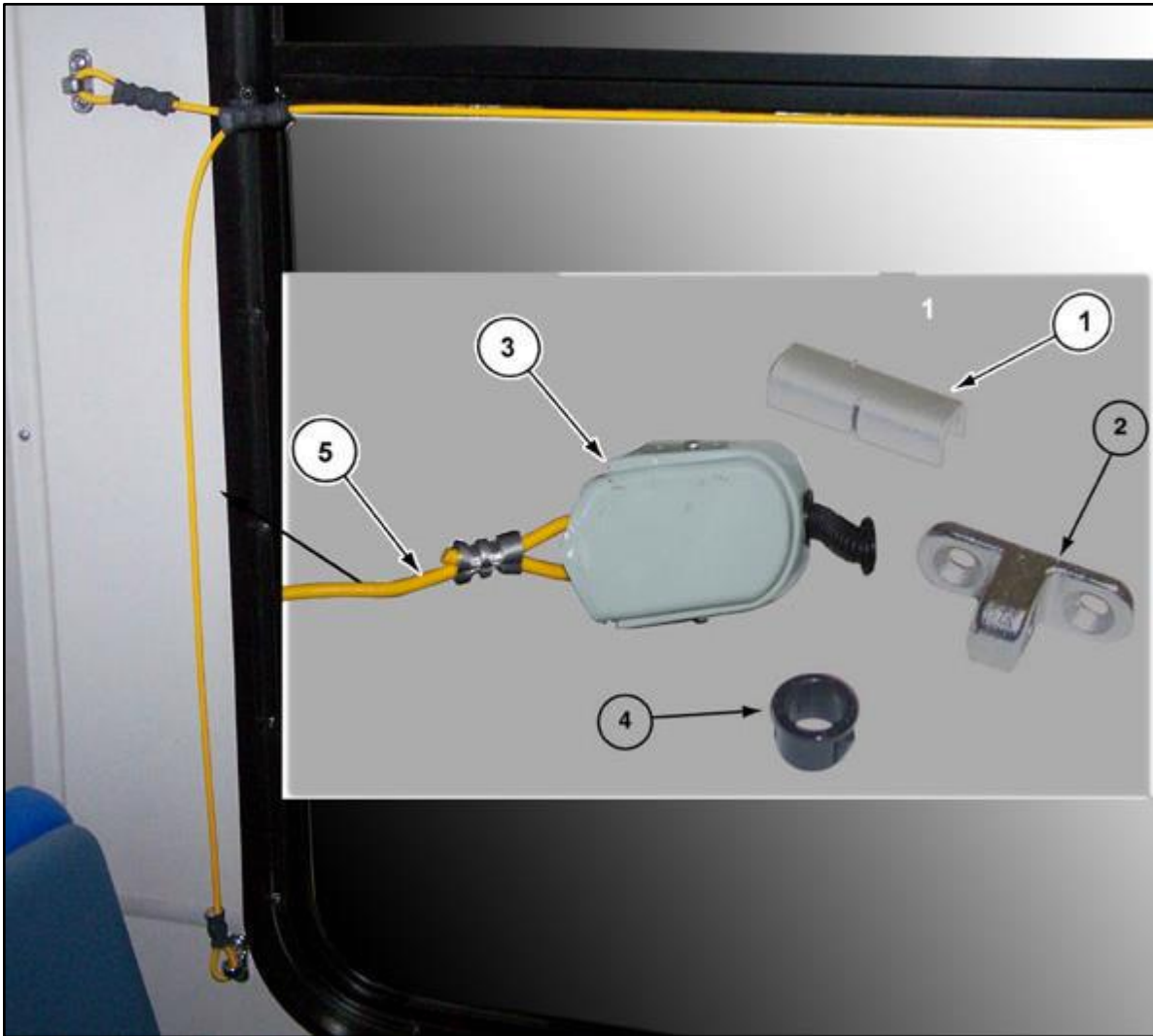
**PASSENGER PULL CORD W/ 2-TONE CHIME**  
**DF-271-998-2822**

<i>ITEM</i>	<i>PART NO.</i>	<i>DESCRIPTION</i>	<i>QTY</i>	<i>ITEM</i>	<i>PART NO.</i>	<i>DESCRIPTION</i>	<i>QTY</i>
01	4941654	CONNECTOR, DOUBLE (3/16")	4				
2	4970563	GUIDE, PULL CORD (STAMPED) 90°	11				
3	3974280	SWITCH, PULL	2				
04	3971506	BUSHING, SNAP (1/2")	2				
N/S	4970431	CABLE, PULL CORD (3/16")	A/R				
N/S	3971952	CHIME, ENCLOSED 12-24 VOLT	1				
N/S	4970692	CONNECTOR, OVAL SLEEVE CRIMP 3-16 X 1	4				



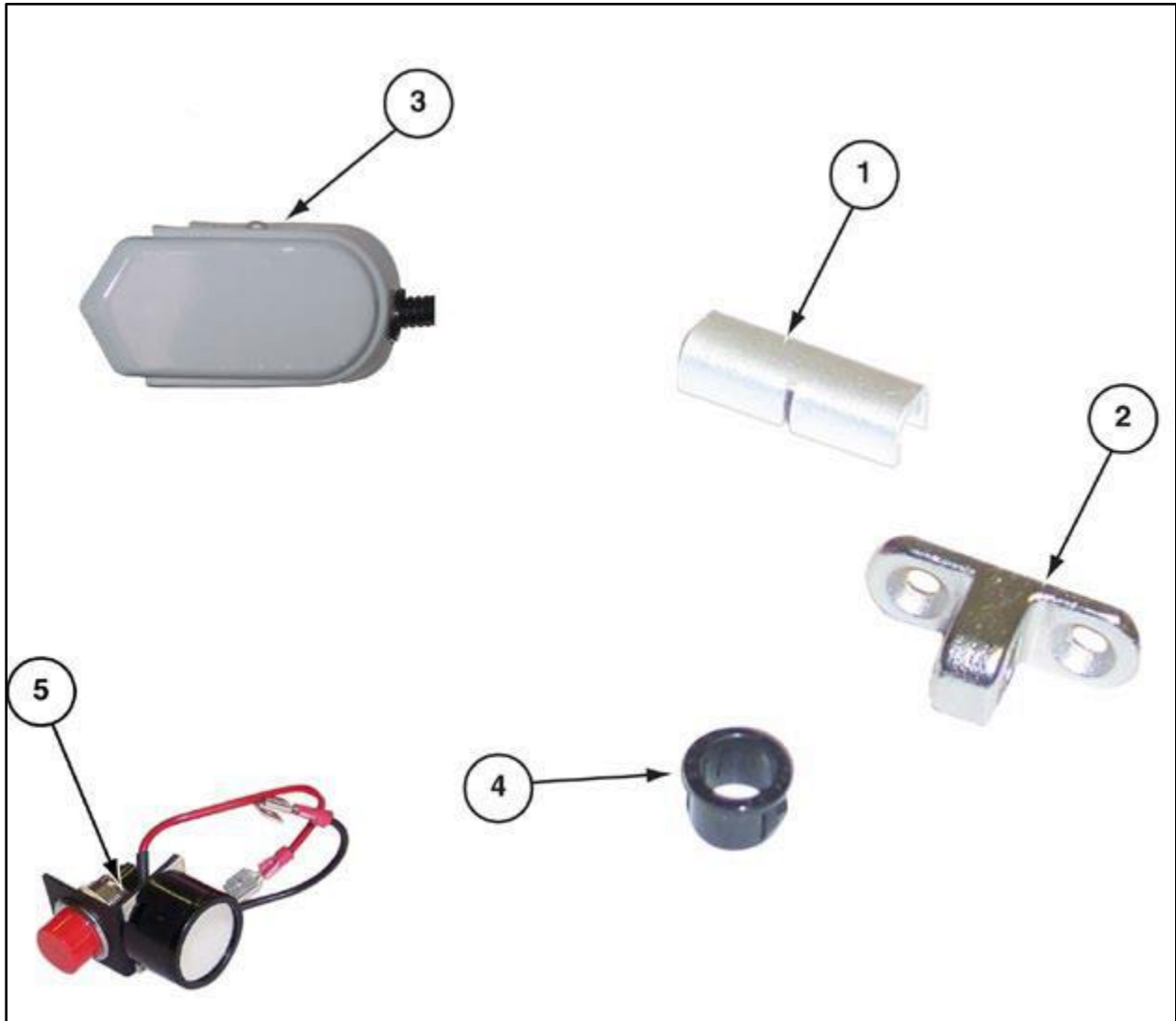
## passenger pull cord w/lighted buzzer bg-321-998-2822y

ITEM	PART NO.	DESCRIPTION	QTY	ITEM	PART NO.	DESCRIPTION	QTY
1	4970563	Guide, Pull Chord (Stamped)	11				
2	4970538	Guide, Pull Chord (Cast)	11				
3	3941879	Switch, Pull	2				
04	3971506	Bushing, Snap 1/2"	2				
05	3973085	Buzzer/Light, Stop Request	1				
N/S	4970544	Cable, Pull Chord (Yellow) [3/16" DIA.]	A/R				
N/S	4941654	Connector, Double (3/16)	4				



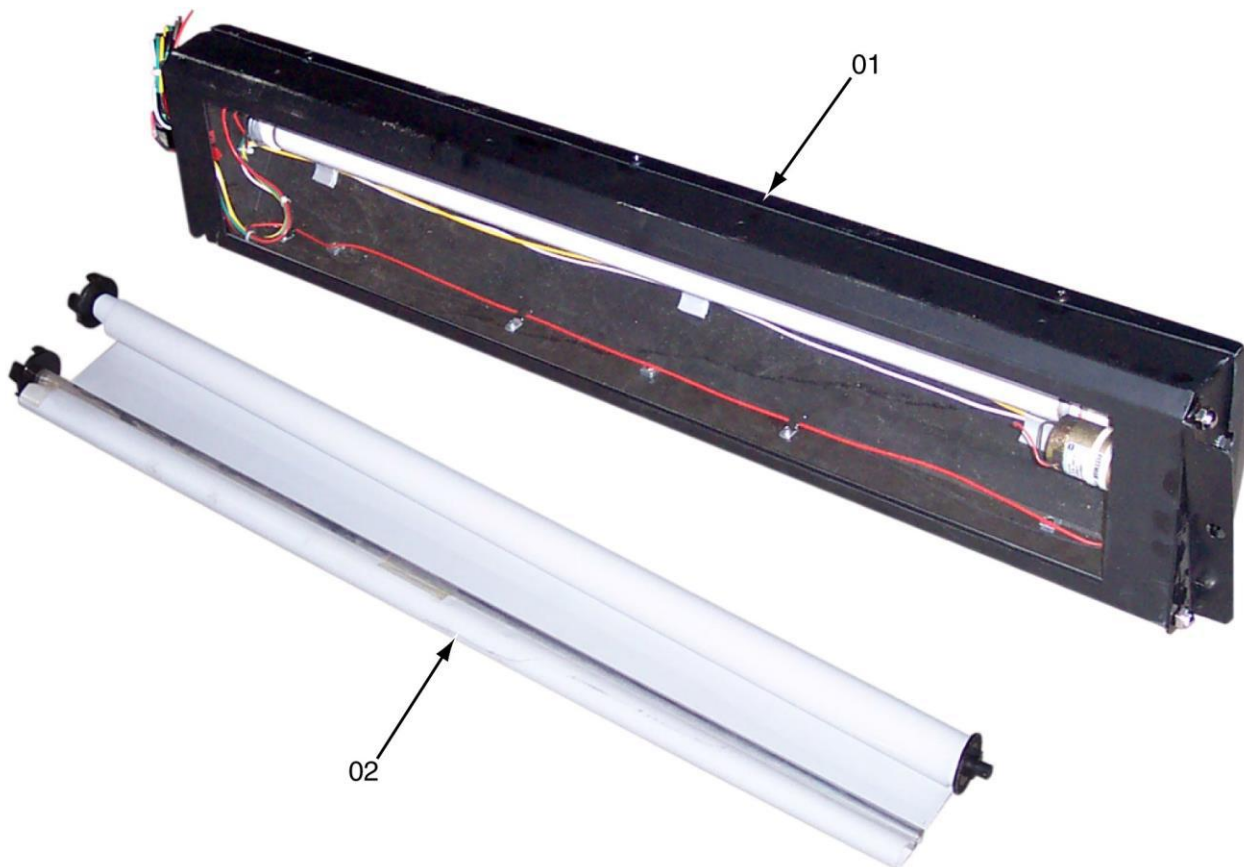
**PASS PULL CORD W/2-TONE CHIME YELLOW**  
**Df-311-900-2822Y**

<i>ITEM PART NO. DESCRIPTION</i>	<i>QTY</i>	<i>ITEM PART NO. DESCRIPTION</i>	<i>QTY</i>
01 4970692 Connector, Oval Sleeve Crimp 3/16	4		
02 4970563 Guide, Pull Chord Stamped 90 Deg	AR		
03 3974280 Switch, Pull Spemco	2		
04 3971506 Bushing, Snap 1/2"	2		
05 4970544 Cable, Pull Cord Yellow 3/16"	AR		
N/S 3971952 Chime, Enclosed 12-24-V VDC 2-Tone	1		
N/S 3944485 Terminal, QKDisc/ Fem F/ Ins 16-14	1		
NS 3974532 Panel, Stop Request Add On	1		



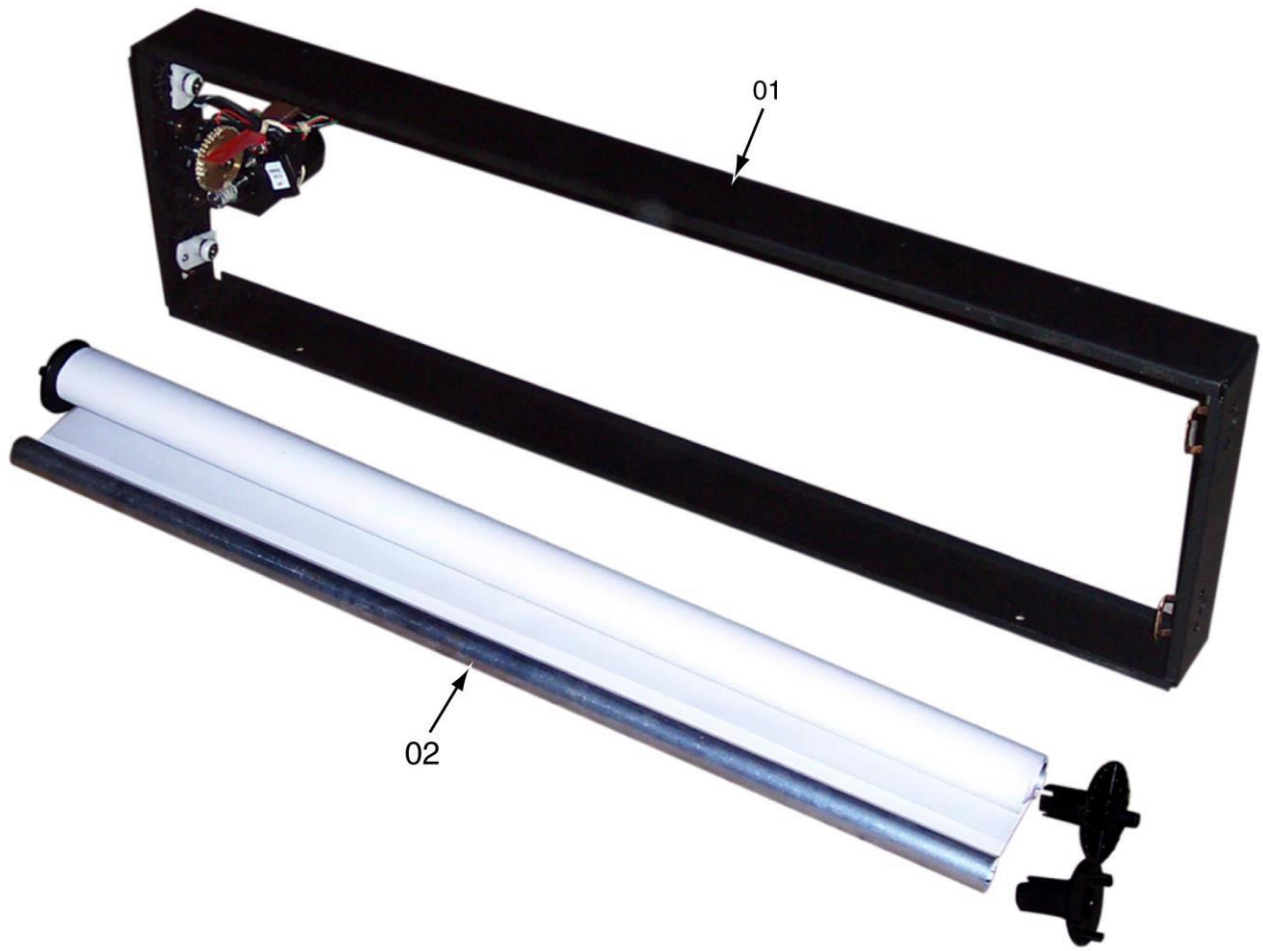
## passenger pull cord w/lighted buzzer ct-291-900-2822

ITEM	PART NO.	DESCRIPTION	QTY	ITEM	PART NO.	DESCRIPTION	QTY
01	4970563	Guide, Pull Chord (Stamped) 90°	10	NS	3971595	Terminal, F/M Q/Dis 16-14 .187 Tab	1
02	4970538	Guide, Pull Chord (Cast)	10	NS	3971581	Terminal, QKDisc/Fem Non-Ins 16-14	1
	4970715	Guide, Pull Chord (Cast) 90°	4	NS	8570931	Screw, 8 x 1 Pan Quad Tek Clr Empigu	10
03	3974280	Switch, Pull	2	NS	8570754	Screw, 8 x 1-1/4 Flat Head Phil Tek	4
04	3971506	Bushing, Snap 1/2"	2	NS	8570935	Screw, 8 x 1 Flat QDX T2 Ckear Empgd	4
05	3973085	Light, Buzz No Engraving	1				
NS	4970431	Cable, Pull Chord [3/16" DIA.]	A/R				
NS	4941654	Connector, Double (3/16)	7				
NS	4970692	Connector, Oval Sleeve Crimp 3/16	7				
NS	3970472	Breaker, 15 AMP	1				
NS	3942299	Terminal, Ring Blue 16-14GA #10 Stud	4				
NS	3944303	Terminal, F/Insu FM/Quick Disc 12-10	2				



**destination sign single**  
**cr-000-900-0404, 0406058, 0407135**

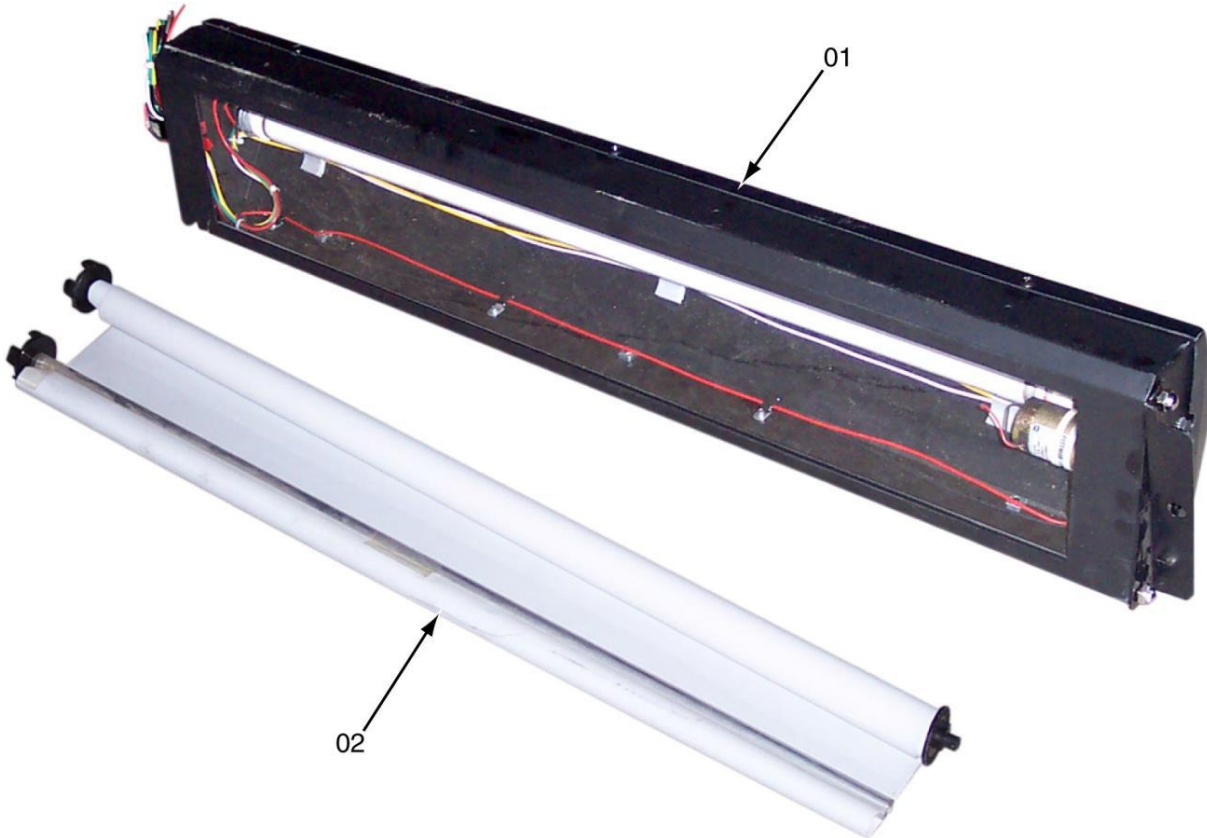
<i>ITEM PART NO. DESCRIPTION</i>	<i>QTY</i>	<i>ITEM PART NO. DESCRIPTION</i>	<i>QTY</i>
<b>1 0406058 LIGHT, DESTINATION 48" SINGLE</b>			
3971241 LIGHT, FLOURESCENT 48" BALLAST ASSY	1		
3972317 BULB, FLOURESCENT 4' DBLE PRONG 40W	1		
3970472 BREAKER, 15AMP (SILVER)			
1			
<b>2 0407135 SIGN, DESTINAION SINGLE FRONT</b>			
0378204 BRACKET, DEST SIGN FRONT	2		



**FRONT DESTINATION SIGN**  
**CH-000-900-3175, 0408071**

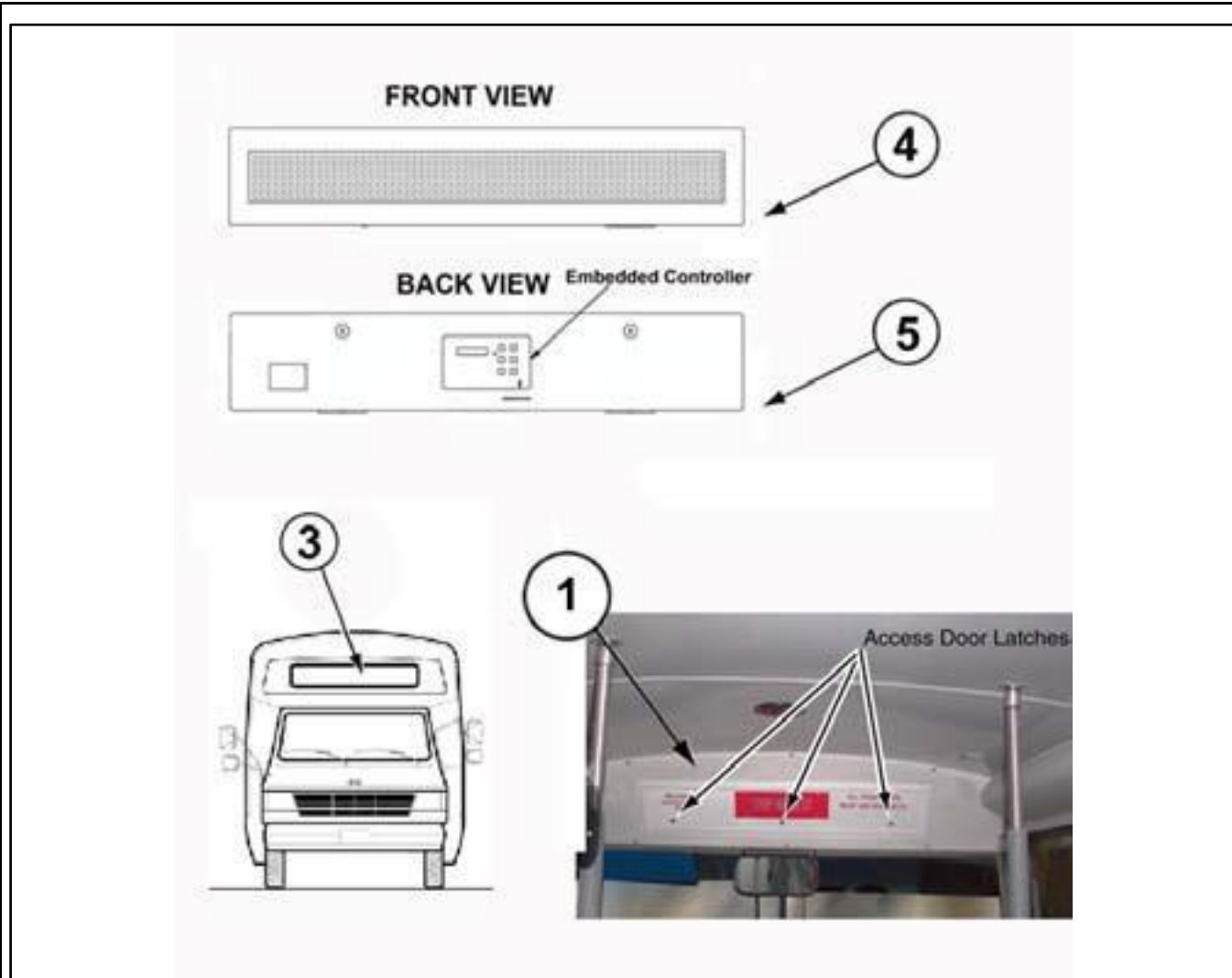
<i>ITEM</i>	<i>PART NO.</i>	<i>DESCRIPTION</i>	<i>QTY</i>	<i>ITEM</i>	<i>PART NO.</i>	<i>DESCRIPTION</i>	<i>QTY</i>
1	8941510	SIGN, DESTINATION (D3110)	1				
2	8940439	CURTAIN, DESTINATION (D3110 MA)	1				





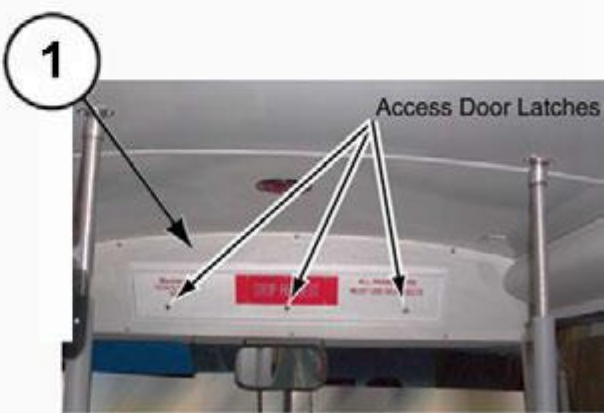
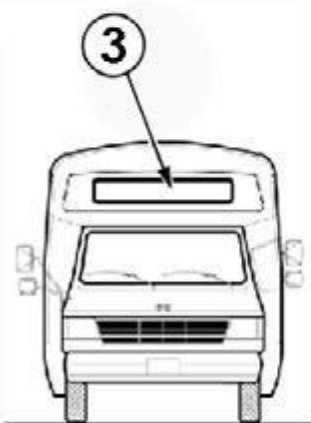
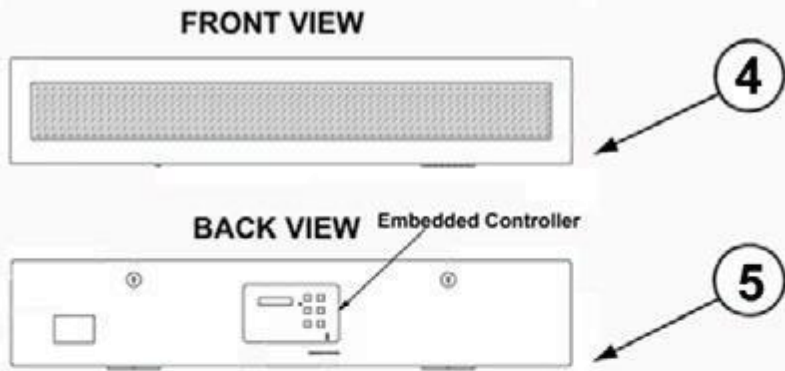
**SIDE DESTINATION SIGN**  
**CH-000-900-3175**

<i>ITEM</i>	<i>PART NO.</i>	<i>DESCRIPTION</i>	<i>QTY</i>	<i>ITEM</i>	<i>PART NO.</i>	<i>DESCRIPTION</i>	<i>QTY</i>
01	8970139	SIGN, SIDE DESTINATION (D34510XP)	1				
02	8970147	CURTAIN, ROLLER (D34510-MA)	1				



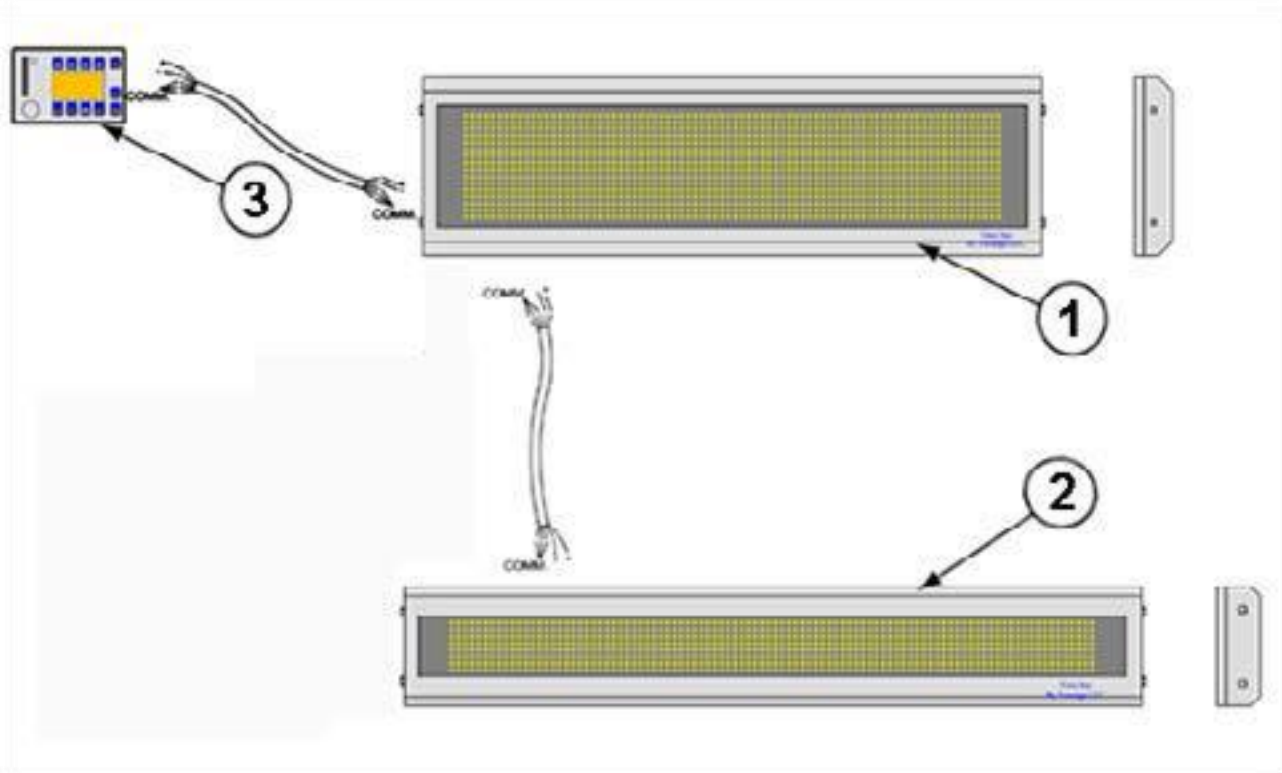
**front/SIDE DESTINATION Sign - vISta  
0421160**

ITEM	PART NO.	DESCRIPTION	QTY	ITEM	PART NO.	DESCRIPTION	QTY
		<b>0403572 INSTALL, DOOR DEST SIGN ABS NON-L</b>		4	8971032	SIGN, DESTINATION FRONT VISTA	1
01	3370939	DOOR, DESTINATION	1	5	EMBEDDEDCONTROLLER, FRONTDEST SIGN		1
	3370798	GUARD, DOOR EDGE	AR	NS	8971254	SIGN, DEST FRONT VISTA W/REMOTE	1
	4970476	HINGE, CONCEALED	3	NS	0379113	BRACKET, SIDE MOUNT DEST VISTA LEFT	1
	4941520	LOCK, THUMB COMPLETE	3	NS	0379114	BRACKET, SIDE MOUNT DEST VISTART	2
				NS	0379164	BRACKET, DEST FRM M2 SUPPORT TV	2
<b>03</b>	<b>0403571</b>	<b>INSTALL WINDOW MULTIPLE DEST SIGN</b>		NS	0379793	BRACKET, LUMINATOR VISTA FRNT LEFT	1
	5970157	WINDOW, DESTINATION CH-CR	1	NS	8971035	CARD, WRITER VISTA FLASH	1
	8971071	TAPE, BUTYL COATED FOAM 7MM DTAx48	0.5	NS	8971034	SOFTWARE, VISTA DESTINATION SIGNS	1
NS	5970733	WINDOW, DEST 36.38 x 46.5 CLEAR TOP	1	NS	3975440	CABLE, 25' BLEKIN CAT 6UTP	1
				NS	3974660	HARNESS, DESTINATION SIGN FRONT	1
				NS	3974537	HARNESS, DESTINATION SIGN SIDE	2



**front destination sign - vista**  
**0419684**

ITEM	PART NO.	DESCRIPTION	QTY	ITEM	PART NO.	DESCRIPTION	QTY
		<b>0403572 INSTALL, DOOR DEST SIGN ABS NON-L</b>		4	8971032	SIGN, DESTINATION FRONT VISTA	1
01	3370939	DOOR, DESTINATION	1	5	EMBEDDEDCONTROLLER, FRONTDEST SIGN		1
	3370798	GUARD, DOOR EDGE	AR	NS	8971254	SIGN, DEST FRONT VISTA W/REMOTE	1
	4970476	HINGE, CONCEALED	3	NS	0379113	BRACKET, SIDE MOUNT DEST VISTA LEFT	1
	4941520	LOCK, THUMB COMPLETE	3	NS	0379114	BRACKET, SIDE MOUNT DEST VISTART	1
<b>3</b>	<b>0403571</b>	<b>INSTALL WINDOW MULTIPLE DEST SIGN</b>		NS	0378204	BRACKET, DESTINATION SIGN FRONT	2
	5970157	WINDOW, DESTINATION CH-CR	1	NS	8971035	CARD, WRITER VISTA FLASH	1
	8971071	TAPE, BUTYL COATED FOAM 7MM DTAx48	0.5	NS	8971034	SOFTWARE, VISTADESTINATION SIGNS	1
				NS	3975440	CABLE, 25' BLEKIN CAT 6UTP	1



## transign vista star destination signs 0422367

ITEM	PART NO.	DESCRIPTION	QTY	ITEM	PART NO.	DESCRIPTION	QTY
1	8971083	Sign, Dest Front 16 x 96 Vista Star	1	NS	3974660	Harness, Destination Sign Front	1
2	8971084	Sign, Dest Side 8 x 96 Vista Star	1	NS	3975483	Harness, Transign Front to Side Vista	1
3	8971085	Controller, Destination Vista Star	1	NS	3975484	Software Package Transign Vista Star	1
NS	0378204	Bracket, Destination Sign Front	2	NS	5970157	Window, Destination	1
NS	0379811	Bracket, Adapter Dest Front M2 TV	1	NS	3972514	Antenna, AM/FM	1
NS	4540142	Angle, Aluminum (1" x 1.5" x 9')	.5	NS	3974103	Antenna, Cable Extension	1
NS	3371983	Cap, Front Center M2 W/Pod	1	NS	3974102	Antenna, Flexible Roof Mount	1



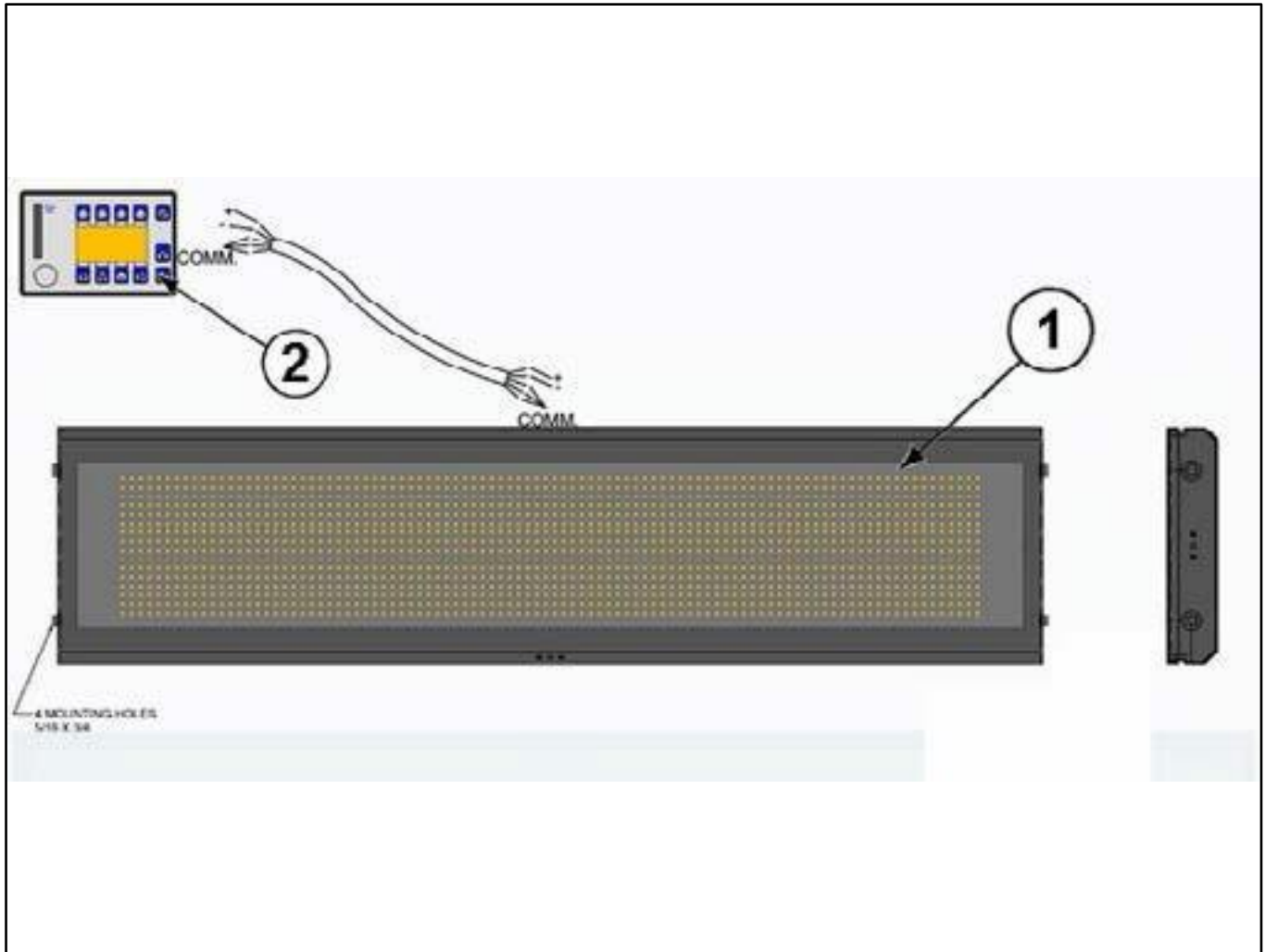
## tv mobilite front/side destination sign 0420167

ITEM	PART NO.	DESCRIPTION	QTY	ITEM	PART NO.	DESCRIPTION	QTY
1	3975191	Sign, Dest. 14 x 108 Amber Mobilite	1		<b>0403572</b>	<b>Install, Door Dest. Sign ABS Non-Lock</b>	
2	3975192	Sign, Dest. 14 x 72 Amber Mobilite	1	NS	3370939	Door, Destination CH	1
3	3975193	Console, OCU Mobilite 12V	1	NS	3370798	Guard, Door Edge (150')	AR
NS	3975495	Harness, Twin Vision Mobilite L Series	1	NS	4970476	Hinge, Concealed	3
NS	3975496	Cable, Twin Mobilite L-Series Bus	1	NS	4941520	Lock, Thumb Complete	3
NS	3974660	Harness, Destination Sign Front	1	NS	3370919	Sheet, ABS .125" x 48" x 78" Gray	AR
NS	3371983	Cap, Front Center M2 W/POD	1	NS	0375567	Plate, 16GA 2.0 x 3.0 Dest Hinge Back	3
NS	0379164	Bracket, Dest. Front M2 Support TV	1	NS	4540241	Bar, Aluminum .125 x .75 x 4'	AR
NS	0379165	Bracket, Dest. Front M2 TV 14 x 108	1	NS	0364836	Steel, Flat 14GA/16GA x 3 x 96	AR
NS	5971057	Window, Destination	1				
NS	3972514	Antenna, AM/FM	1				
NS	3974102	Antenna, Flexible Roof Mount	1				
NS	3974103	Antenna, Cable Extension	2				



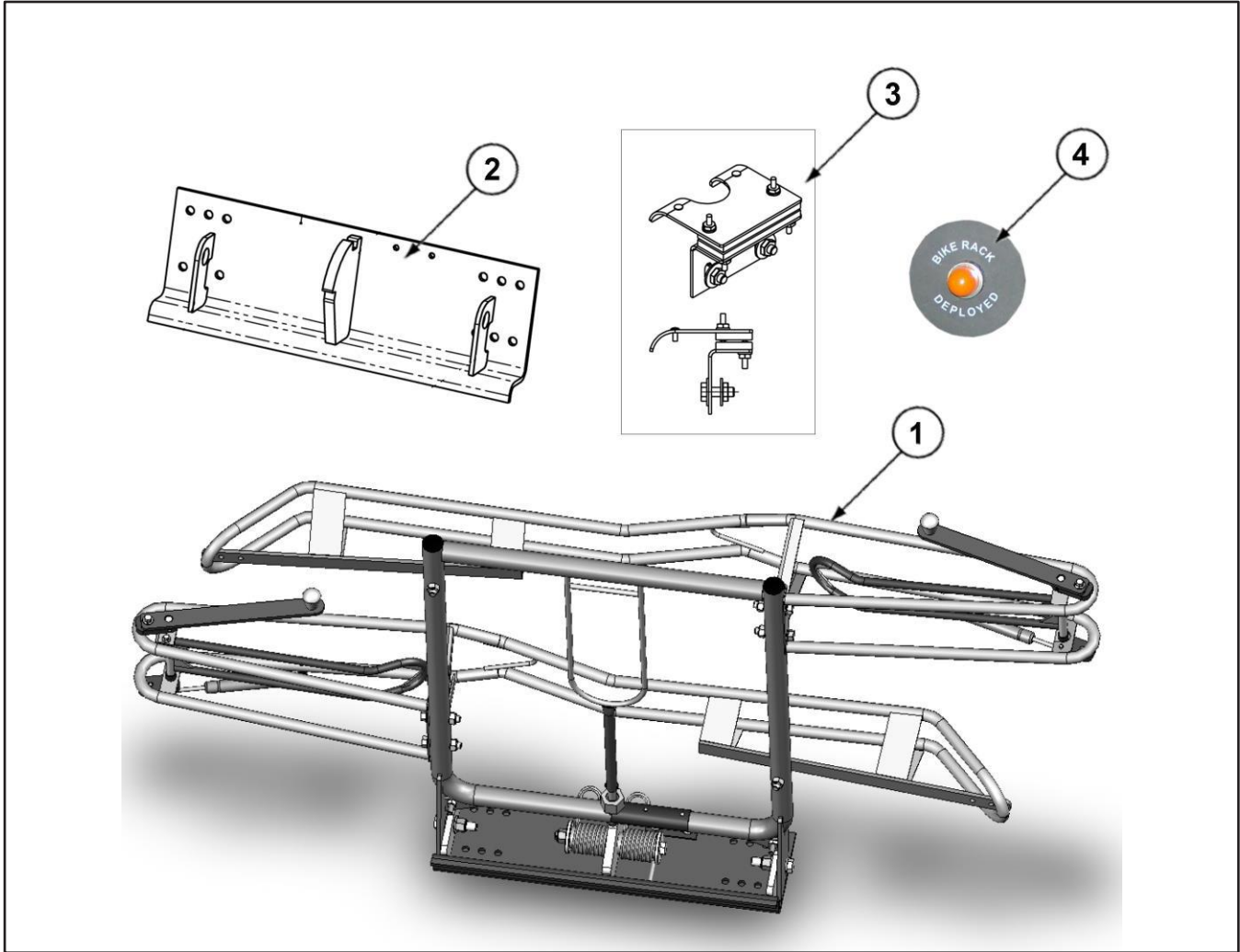
## destination sign package - frnt/side/rear 0421298

ITEM	PART NO.	DESCRIPTION	QTY	ITEM	PART NO.	DESCRIPTION	QTY
01	3974865	Sign, Front 16 x 160 Smart SeriesAMB	1	NS	3975849	Cable, Twin Vision 39' Smart Series	1
	0379811	Bracket, Adapter Dest Front M2 TV	2	NS	3975233	Cable, Twin Vision 28' Front to Side	1
	0379164	Bracket, Dest Front M2 Support TV	2	NS	3974660	Harness, Destination Sign Front	1
02	3974866	Sign, Side 14 x 108 Smart Series AMB	1	NS	5970157	Window, Destination CH/CR	1
	0379165	Bracet, Dest M2 TV 14 x 108	2	NS	0403572	Door, Destination Sign ABS Non-Lock	1
03	3975232	Sign, Rear Ext TV Amber	1		3370939	Door, Destination CH	1
04	8970992	Converter, DC to DC TV	1		3370798	Guard, Door Edge 730-4291 (150')	AR
05	3974863	OCU, Console Slimline	1		4970476	Hinge, Concealed	3
NS	3974864	Key, Data USG 1GB TV	1		4540241	Bar, Aluminum .125 x .75 x 4'	AR
NS	3974103	Antenna, Cable Extension	2				
NS	3974102	Antenna, Flexible Roof Mount	1				
NS	3972514	Antenna, AM/FM	1				



## front destination sign - vista star 0420615 (rev-a)

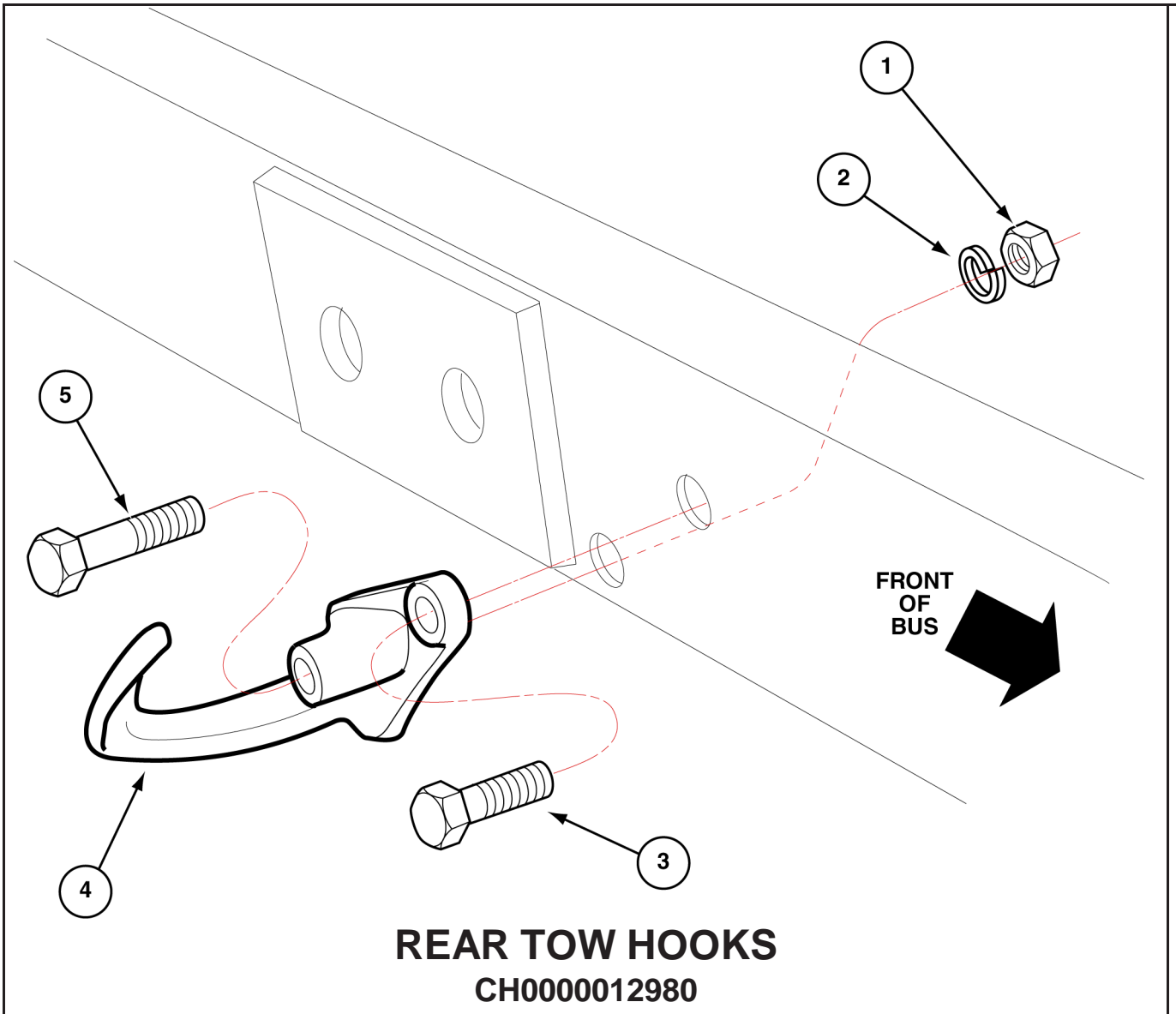
ITEM	PART NO.	DESCRIPTION	QTY	ITEM	PART NO.	DESCRIPTION	QTY
<b>0420615 Install, Dest Transign Front Vista Star</b>				<b>0403571 Install, Window Multiple Dest Sign</b>			
1	8971083	Sign, Dest Front 16 x 96 Vista Star	1	NS	5971057	Window, Destination	1
2	8971085	Controller, Destination Vista Star	1	NS	8971071	Tape, Butyl Coated Foam 7MM DTA	AR
	NS	0378204	Bracket, Destination Sign Front	2			
	NS	0379811	Bracket, Adaptor Dest Front M2 TVision	1			
	NS	4540142	Angle, Aluminum 1 x 1.5 x 9'	.5			
	NS	3975484	Software Package Transign Vista Star	1			
	NS	0379164	Bracket, Dest Frt M2 Support	1			
	NS	0379165	Bracket, Dest Frt M2 Twin 14x108x8mm	1			
	NS	3972514	Antenna, AM/FM	1			
	NS	3974103	Antenna, Cable Extension	1			
	NS	3974102	Antenna, Flexible Roof Mount	1			
	NS	3371983	Cap, Front Center M2 W/POD	1			
	NS	0379645	Plate, Backer, Antenna	1			



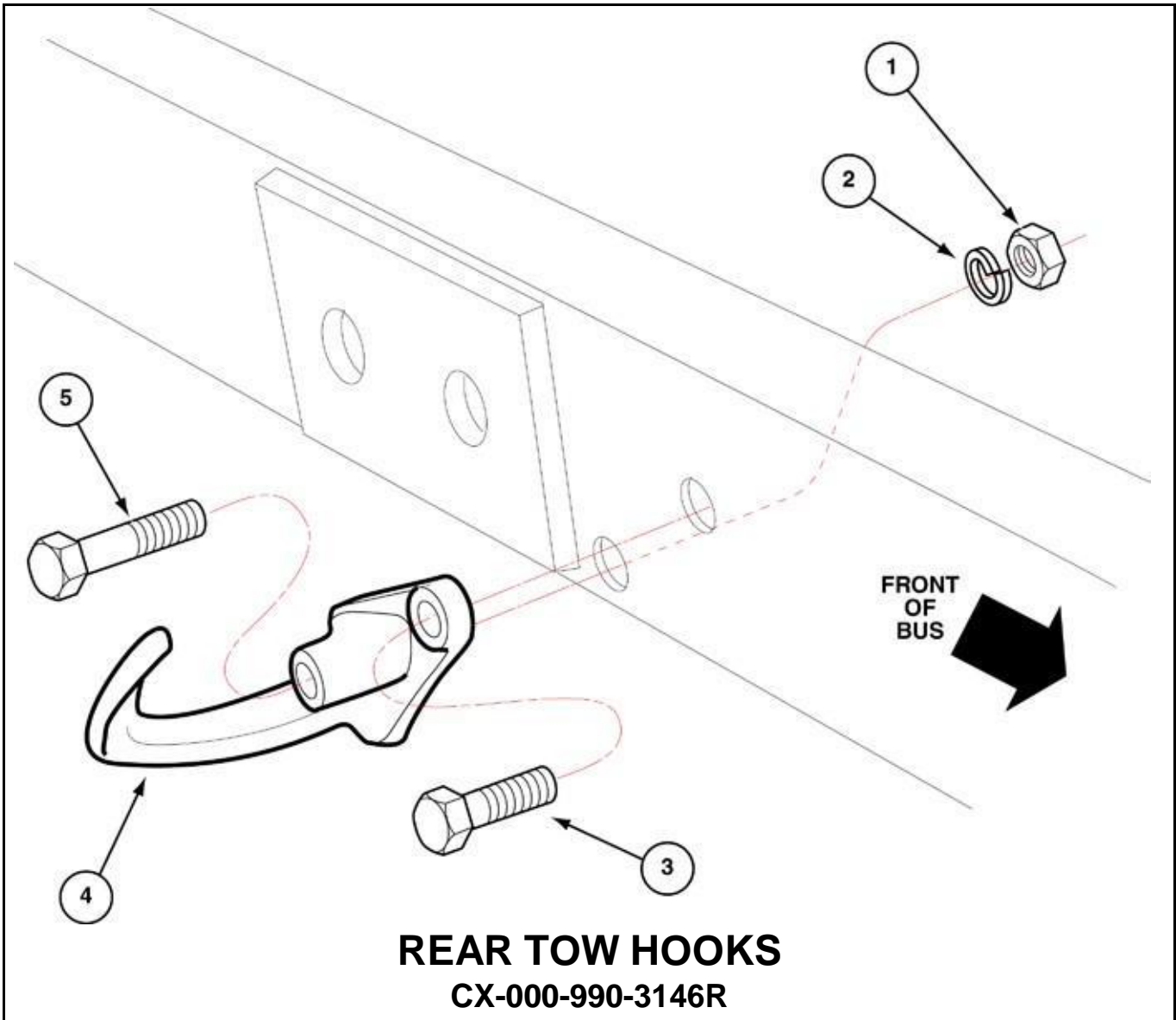
## 2-place byk rack s/s w/light 0418441

<i>ITEM PART NO. DESCRIPTION</i>	<i>QTY</i>	<i>ITEM PART NO. DESCRIPTION</i>	<i>QTY</i>
1 6570175 Rack, Byk 2-Place S/S Black	1		
2 6570176 Bracket, Pivot Byk Rack	1		
6570177 Bracket, Byk Rack HDWE Kit M2	1		
3 6570178 Switch, Byk Rack Deployment Kit	1		
4 6570179 Light, Dash Byk Rack Wire Pack Kit	1		





<i>ITEM</i>	<i>PART NO.</i>	<i>DESCRIPTION</i>	<i>QTY</i>	<i>ITEM</i>	<i>PART NO.</i>	<i>DESCRIPTION</i>	<i>QTY</i>
01	8543399	NUT, HEX (5/8-11 GRD 8 USS PLATED)	4				
02	8543407	LOCKWASHER (5/8 HIGH ALLOY)	4				
03	8543381	BOLT, HEX (5/8 x 2-1/2 GRD 8 PLATED)	2				
4	0140061	HOOK, TOW (FINISHED)	1				
5	8543485	BOLT, HEX (5/8 x 3 USS PLATED)	2				



<i>ITEM</i>	<i>PART NO.</i>	<i>DESCRIPTION</i>	<i>QTY</i>	<i>ITEM</i>	<i>PART NO.</i>	<i>DESCRIPTION</i>	<i>QTY</i>
01	8543399	NUT, HEX (5/8-11 GRD 8 USS PLATED)	4				
02	8543407	LOCKWASHER (5/8 HIGH ALLOY)	4				
03	8543381	BOLT, HEX (5/8 x 2-1/2 GRD 8 PLATED)	2				
04	0140061	HOOK, TOW (FINISHED)	1				
05	0170126	EYE, TOW 1" BOLT	2				



**stainless steel wheel inserts (8 lug)**  
**df-000-990-2212**

<i>ITEM PART NO. DESCRIPTION</i>	<i>QTY</i>	<i>ITEM PART NO. DESCRIPTION</i>	<i>QTY</i>
01 0570118 Insert, Wheel 19.5" Navistar	1		



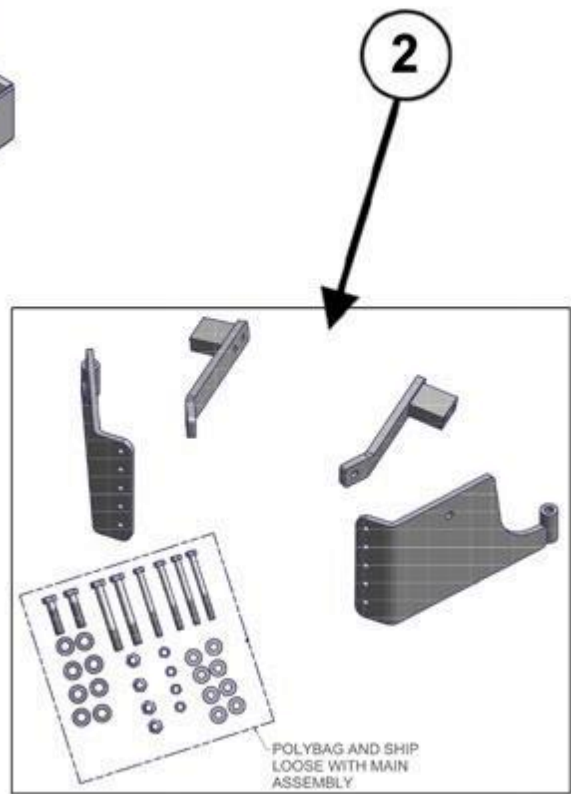
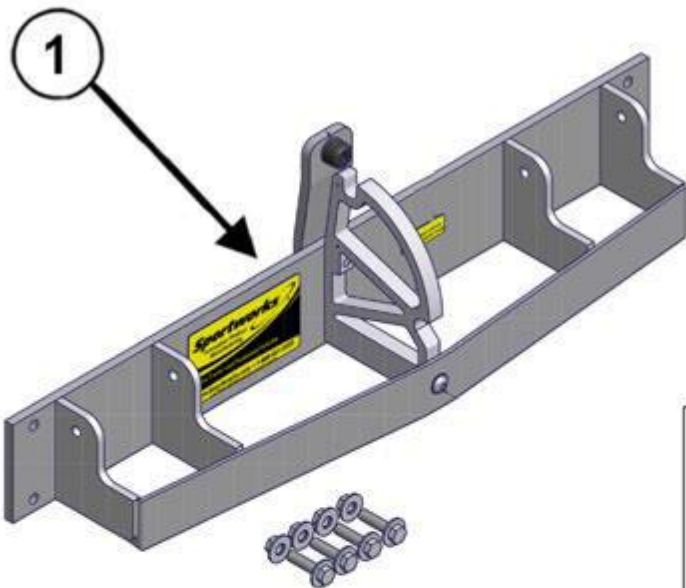
**S/S WHEEL INSERTS 22.5"**  
**DF000ND13116**

<i>ITEM</i>	<i>PART NO.</i>	<i>DESCRIPTION</i>	<i>QTY</i>	<i>ITEM</i>	<i>PART NO.</i>	<i>DESCRIPTION</i>	<i>QTY</i>
01	0570206	Insert, Wheel S/S 22.5" x 8.25" 10 Stud	1				



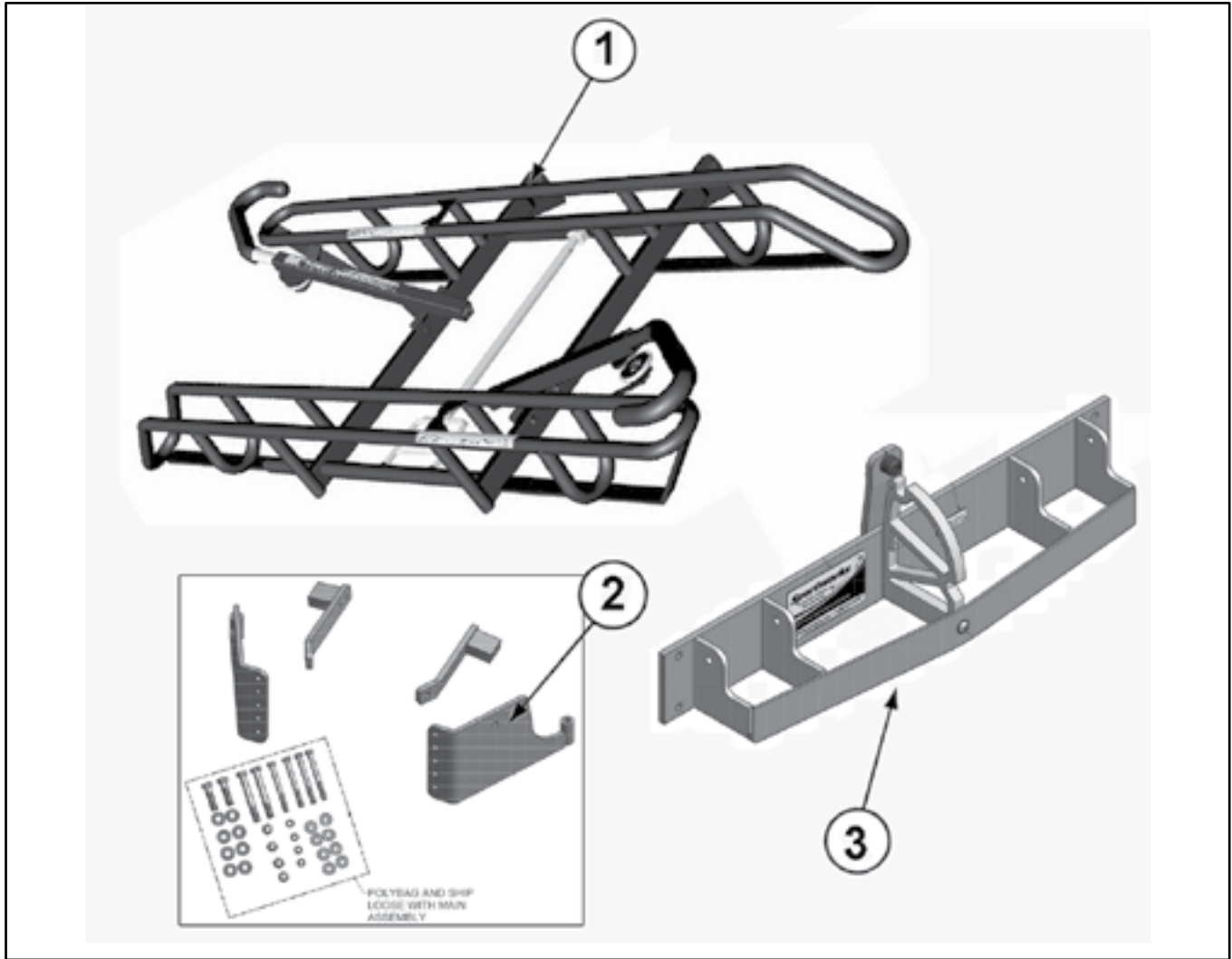
**stainless steel wheel inserts - airbrake**  
**M2-000-900-2212**

<i>ITEM PART NO. DESCRIPTION</i>	<i>QTY</i>	<i>ITEM PART NO. DESCRIPTION</i>	<i>QTY</i>
01 0570216 Insert, Wheel S/S Airbrake M2 FRTL (Set of 4)	1		



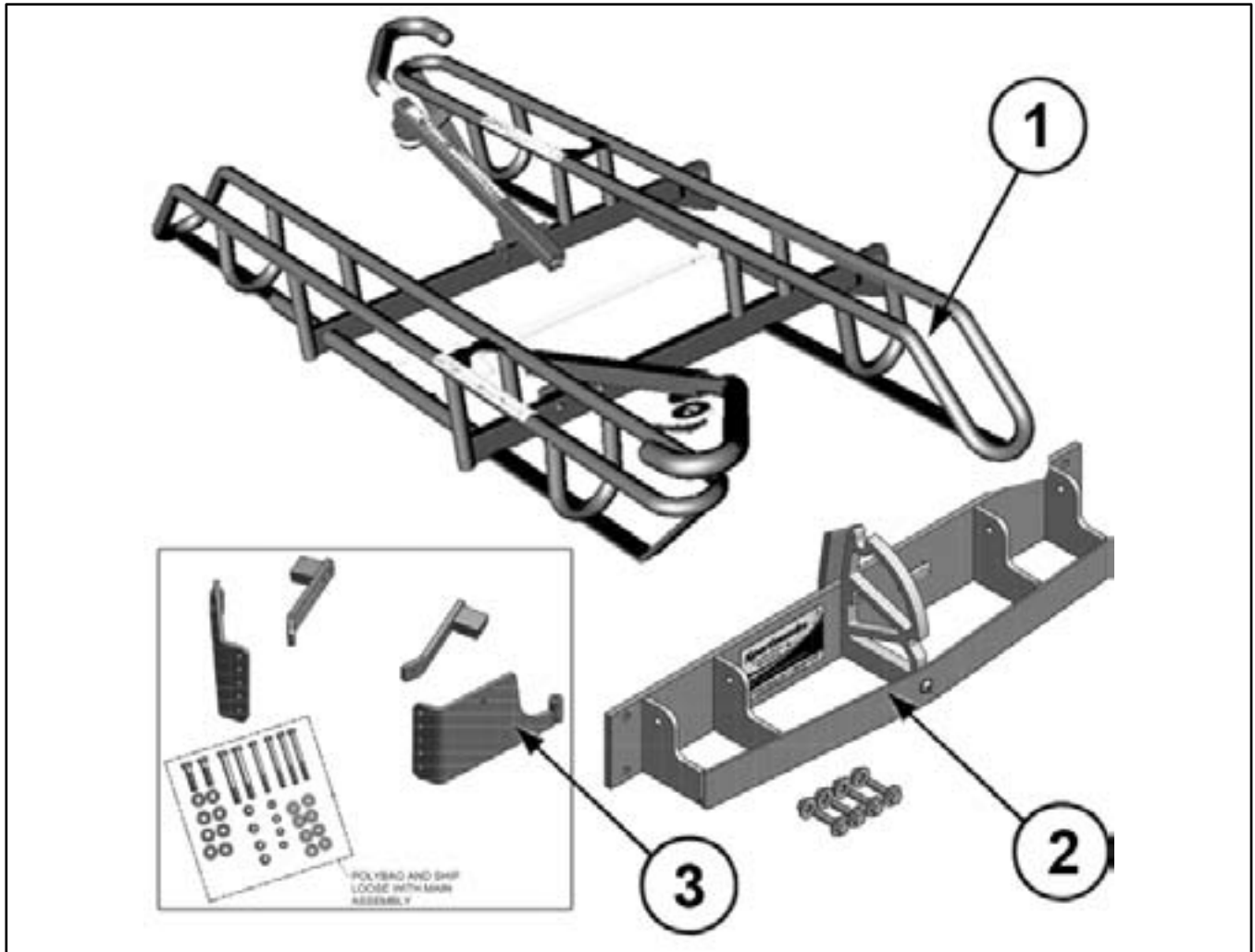
## sportworks mounting brackets m2 0419683

<i>ITEM</i>	<i>PART NO.</i>	<i>DESCRIPTION</i>	<i>QTY</i>	<i>ITEM</i>	<i>PART NO.</i>	<i>DESCRIPTION</i>	<i>QTY</i>
1	6570202	PLATE, PIVOT SPORTWORKS	1				
2	6570203	BRACKET, BIKE RACK MNT M2 R/S & C/S	1				



**sportwork bike rack dl2 black**  
**0420094**

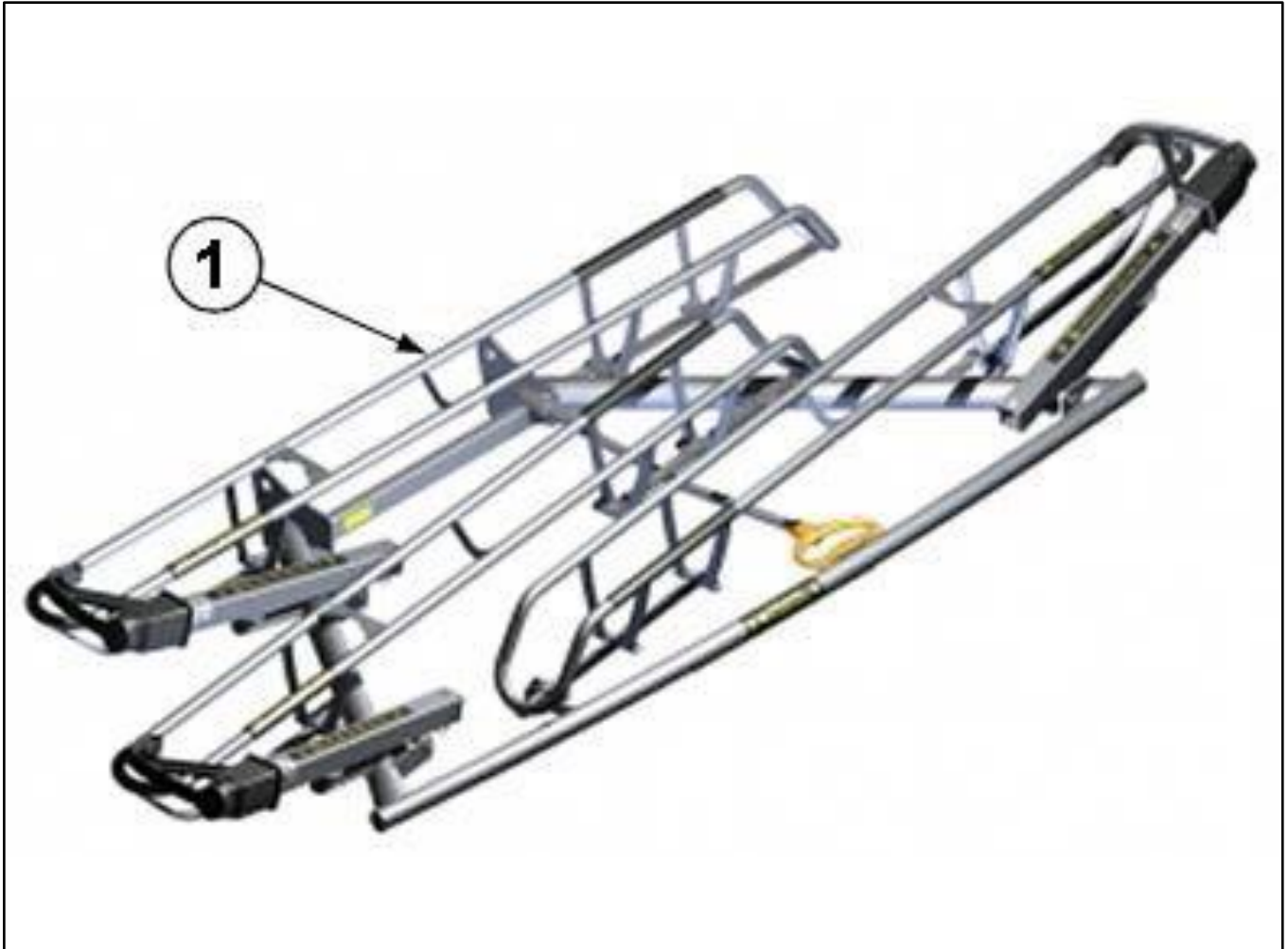
<u>ITEM</u>	<u>PART NO.</u>	<u>DESCRIPTION</u>	<u>QTY</u>	<u>ITEM</u>	<u>PART NO.</u>	<u>DESCRIPTION</u>	<u>QTY</u>
1	6570158	Rack, Bike DL2 NP - Black	1				
2	6570203	Bracket, Bike Rack Mount M2 R/S C/S	1				
3	6570202	Plate, Pivot Sportwork	1				



## DL-2 bike rack S/S anti-gLare 0421520

<i>ITEM</i>	<i>PART NO.</i>	<i>DESCRIPTION</i>	<i>QTY</i>	<i>ITEM</i>	<i>PART NO.</i>	<i>DESCRIPTION</i>	<i>QTY</i>
1	6570195	Rack, Bike S/S Anti-Glare DL2	1				
2	6570202	Plate, Pivot Sportwork	1				
3	6570203	Bracket, Bike Rack Mount R/S & C/S	1				





**apex-3 sportworks bike rack**  
**0421826**

<i>ITEM PART NO. DESCRIPTION</i>	<i>QTY</i>	<i>ITEM PART NO. DESCRIPTION</i>	<i>QTY</i>
01 6570235 Rack, Bike Sportwork APEX 3 W/Std	1		
NS 6570137 Bracket, Reese tow Eye	1		

**NO PICTURE AVAILABLE AT THIS TIME**

**CHANNEL MNT FOR SKI RACK PREP 27.63" w/1.5  
0421873**

<i>ITEM PART NO. DESCRIPTION</i>	<i>QTY</i>	<i>ITEM PART NO. DESCRIPTION</i>	<i>QTY</i>
00 0348250 Steel, Flat 11GA x 3 x 10'	2		



## TROLLEY STRAPS vARiOuS

<i>ITEM PART NO. DESCRIPTION</i>	<i>QTY</i>	<i>ITEM PART NO. DESCRIPTION</i>	<i>QTY</i>
01 7371586 Strap,Trolley (Hand Held) Black Nylon AR			
<b>Option Code 70029, Assembly 0408519</b>			
NS 7371434 Strap, Trolley (Hand Held) Gray Plast AR			
NS 7371488 Strap, Trolley Nylon Web	AR		



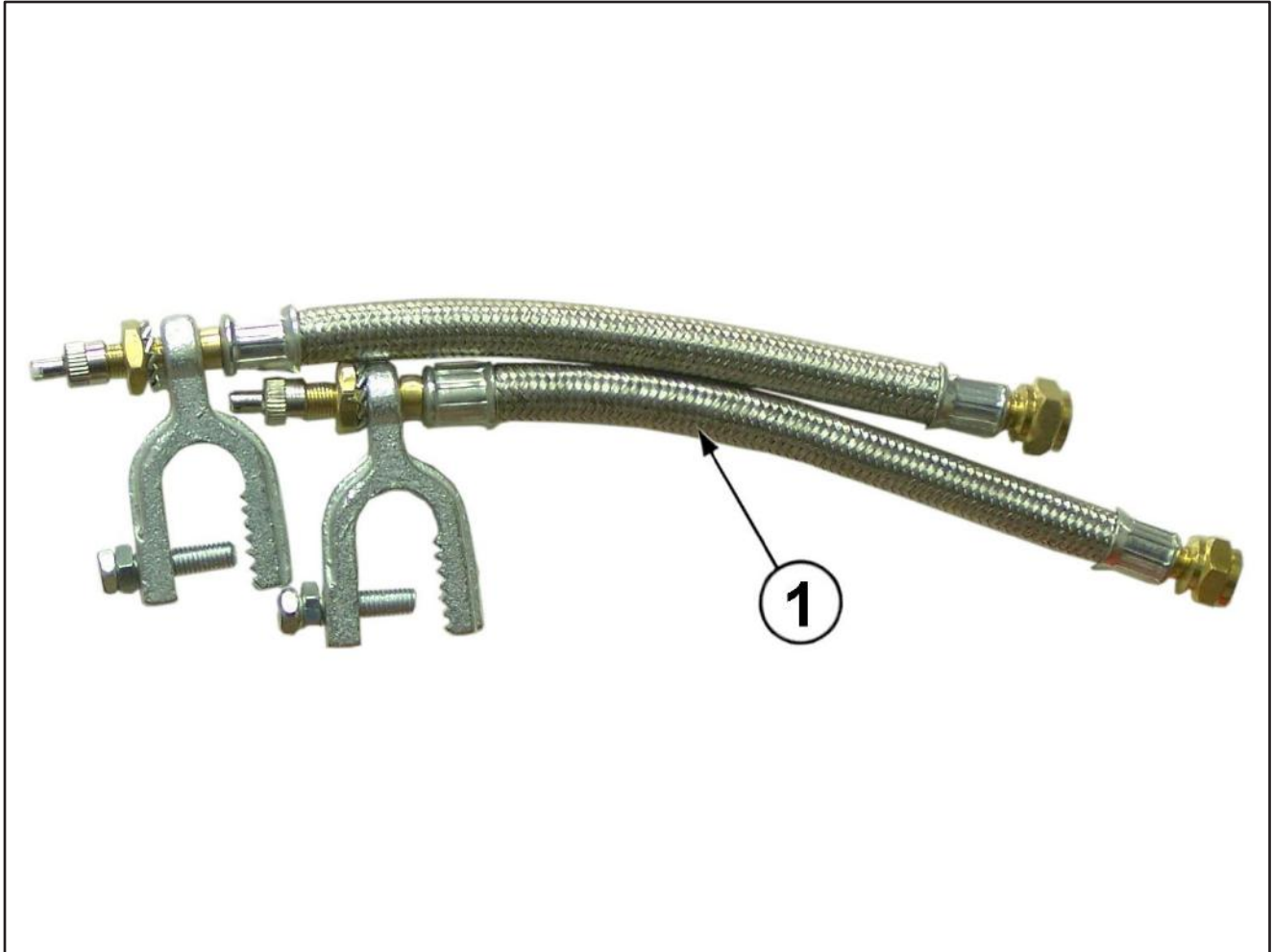
**quartz digital clock install**  
**0404029 / cx0000020011**

<i>ITEM</i>	<i>PART NO.</i>	<i>DESCRIPTION</i>	<i>QTY</i>	<i>ITEM</i>	<i>PART NO.</i>	<i>DESCRIPTION</i>	<i>QTY</i>
01	0404029	Install Clock Quartz LED Drivers	1				



**Spare tire loose (19.5")**  
**df00hnh10013**

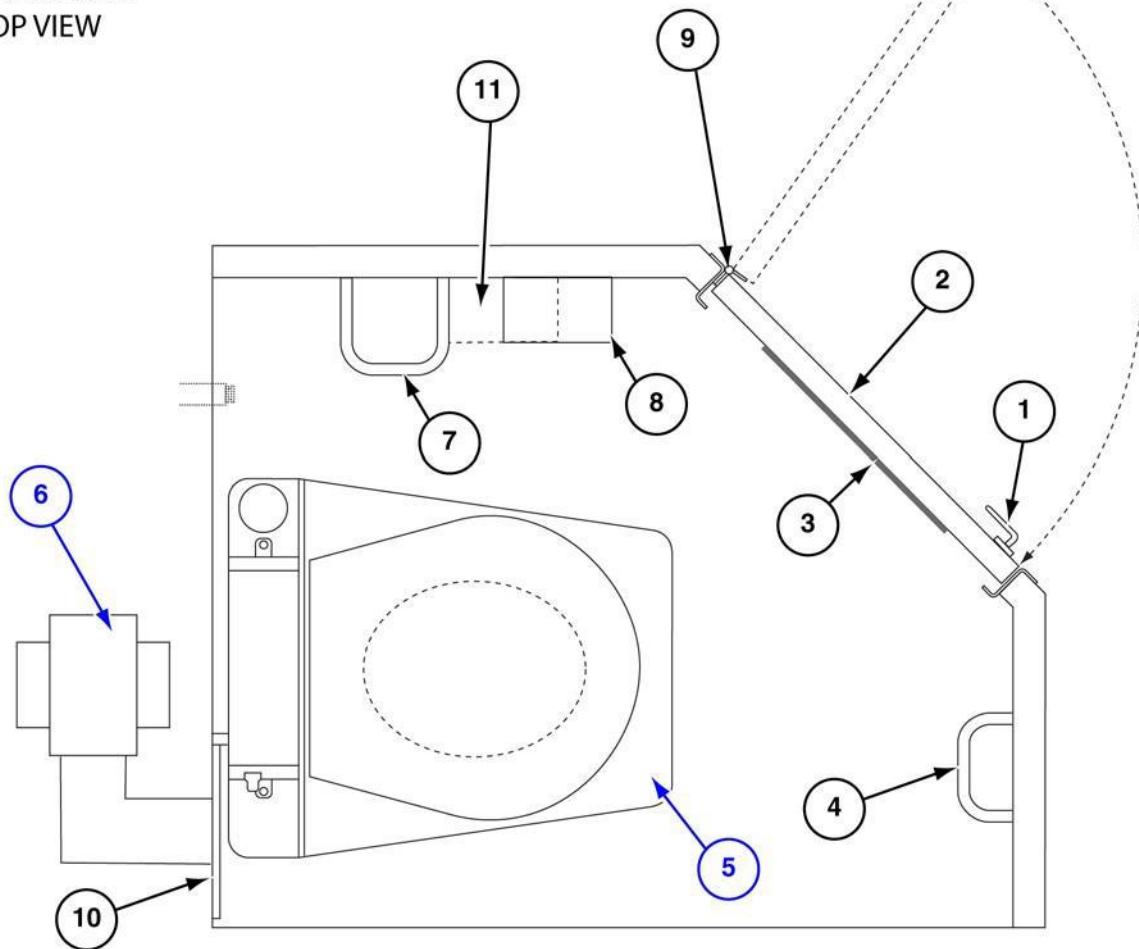
<i>ITEM PART NO. DESCRIPTION</i>	<i>QTY</i>	<i>ITEM PART NO. DESCRIPTION</i>	<i>QTY</i>
01 0541607 Tire, 245/70R19.5 Goodyear	1		
02 0570122 Wheel, 19.5 Navistar (8 Lug)	1		
NS 0541755 Valve, Tire Brass	1		



## valve stem extension 0413016

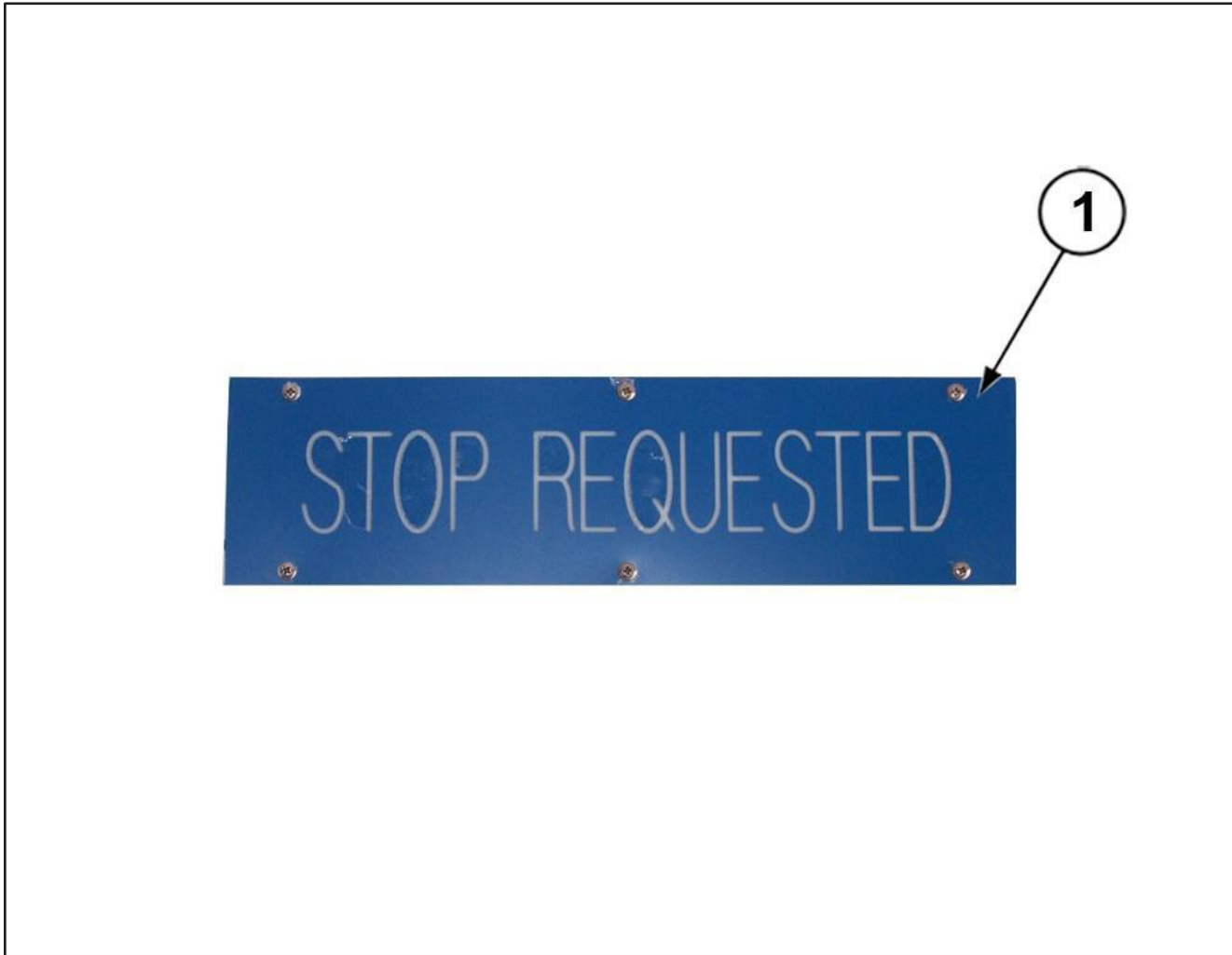
<i>ITEM PART NO. DESCRIPTION</i>	<i>QTY</i>	<i>ITEM PART NO. DESCRIPTION</i>	<i>QTY</i>
01 0570170 Extension, Valve Stem Dual S/S	1		
0570137 Extension, Valve Stem	2		

BATHROOM  
TOP VIEW



**BATHROOM**  
**0410731**

<i>ITEM PART NO. DESCRIPTION</i>	<i>QTY</i>	<i>ITEM PART NO. DESCRIPTION</i>	<i>QTY</i>
1 4970637 LATCH, BATHROOM DOOR	1	7 6570098 DISPENSER, TISSUE PAPER	1
2 0410732 DOOR ASM., BATHROOM	1	8 6570097 DISPENSER, WET NAP	1
3 6570096 MIRROR, BATHROOM	1	9 4970411 HINGE, BATHROOM DOOR	1
4 6570099 HANDLE, BATHROOM GRAB	1	10 6570101 VENT, WALL MOUNTED	1
5 2140630 TOILET, ELECTRA MAGIC	1	11 6570095 CONTAINER, TRASH	1
6 3973026 FLEXMOUNT 4" BLOWER ASM.	1	12 0410888 HOSE ASM., GARDENIA	1
		N/S 3973027 LIGHT, INTERIOR with/SWITCH	1



**FIXED ROUTE PKG - BLUE STOP REQUEST SIGN**  
**PA0000086016 / 0405478B**

ITEM	PART NO.	DESCRIPTION	QTY	ITEM	PART NO.	DESCRIPTION	QTY
01	3973209	Sign, Stop Request Whithe W/Blue Letters	1				
NS	3371094	Shroud, Stop Request Hanging					
	1						
NS	0375669	Bracket, Light Passengers Signal	1				
NS	3971415	Bulb, Side Marker #194	4				
NS	3972105	Socket, Single Contact Push-In	4				
NS	8970410	Tape, Foam 3/8 x 1/2	A/R				
NS	3971797	Switch, Drivers Reset	1				





## INSTALL STOP REQUEST PUSH BUTTON

**PA0000086016 / 0407645**

ITEM	PART NO.	DESCRIPTION	QTY	ITEM	PART NO.	DESCRIPTION	QTY
01	3972467	Push Button, Stop Request	1				



**FIXED ROUTE PKG - RADIO, MICROPHONE, CABLE  
PA000086016**

ITEM	PART NO.	DESCRIPTION	QTY	ITEM	PART NO.	DESCRIPTION	QTY
01	3974474	Radio, REI CD/PA 805 PDOT	1				
NS	3973704	Microphone, REI Push To Talk	1				
NS	3973707	Microphone, Clip REI	1				
NS	3974475	Cable, Mic REI PDOT '08	1				

**BILL OF MATERIAL - DGS (ROHRER BUS)****UNIT #24400**

Item/Components	Description	Qty Per	U/M
0403063	INSTALL,ACCESS PORT 5.0 NORTH	1	EA
0405400	INSTALL,SKIRT PAN METAL DF270	1	EA
0406933	INSTALL,AIR 13.5 110V ROOF TOP	1	EA
0408312	INSTALL,DECALS CHAMPION	1	EA
0410363	INSTALL,KICKPANEL FIBER TRUE GRIT DF30'	1	EA
0410505	CEILING,CARLSBAD SMOKE DF270	1	EA
0410506	INTERIOR,LONDON SMOKE DF270	1	EA
0413402	INSTALL,LIGHTBAR LONDON SMOKE 27-31'	1	EA
0415615	LIGHTS EXT. ADA LED SOUND-OFF (2 LIGHTS)	1	EA
0416399	INSTALL,LIGHTS INTERIOR 12" LED STRIP	1	EA
0417758	INSTALL,STEPWELL 34.25 PWDR 560,3200,CTS	1	EA
0418314	INSTALL,ROOF TEKMOTO (1) PC 29'-31'	1	EA
0418362	INSTALL,GENERATOR 7.5W ASPEN	1	EA
0418571	MIRRORS,ROSCOE HEATED/REMOTE M2	1	EA
0419636	FLOORING,ALTRO STORM TS280	1	EA
0420282	JAMB,GENERATOR MOUNT 7.5K ONAN DLS M2	1	EA
0420283	DOOR,GENERATOR MOUNT 7.5K ONAN DSL M2	1	EA
0420284	FRAME,GENERATOR MOUNT 7.5KW DSL M2 FRT	1	EA
0420448	INSTALL,M2 DEF TANK/BATTERY BOX	1	EA
0420519	INSTALL,SPEAKERS INTERIOR 4 REI	1	EA
0420536	INSTALL,MIC HANDHELD IN-DASH REI	1	EA
0421261	INSTALL,MUD FLAP 20 X 28 INTL3200,M2,TER	1	EA
0421614	INSTALL,LIGHT ENGINECOMP INTL/M2 LED 12"	1	EA
0422636	INSTALL,PARA DOOR DUAL COMP W/NO WINDOW	1	EA
0422756	DOOR,SEDAN 27' DEF DGS	1	EA
0422913	DOOR,GENERATOR 7.5 ONAN M2 24400	1	EA
0422914	JAMB,GENERATOR 7.5K ONAN M2 24400	1	EA
0422949	INSTALL,BOX STORAGE S/S WATERPROOF W/KEY	1	EA
3974523	HARNESS,EXTENSION 32'	1	EA
3975427	HARNESS,INTERLOCK M2	1	EA
3975536	INTERLOCK,FGHTER/INRLCK W/PLUG PLAY HARN	1	EA
0410947 REV-A	PLACEMENT,BRAUN UVL 855 RFW GEN FF ASSY	1	EA
0419318 REV-C	STANCHION,ENTRY DOOR ABS DEFENDER M2	1	EA
CH0000022810	DEFROST FAN, (EACH)	1	EA
CH-000-900-0210	ROMEO RIM REAR BUMPER CH-T	1	EA
CH-000-900-1825E	RIGHT HAND GRAB RAIL ELECTRIC DOOR	1	EA
CH-000-900-3161	CIRCUIT BREAKERS INSTEAD OF FUSES CH/CR	1	EA
CH-000-999-0812	NO HEAT OPTION PACKAGE	1	EA
CX0000074035	BLOOD BORN DISEASE KIT	1	EA
CX0000075405	SAFETY PACKAGE 3	1	EA
CX000SS22833	MASTER DISCONNECT CH/CR (SHORT SHAFT)	1	EA
DF000ND21830	RADIO,AM/FM CD PLAYER	1	EA
DF24400W	WINDOW PACKAGE UNIT 24400	1	EA
DF270M2-24400	DF270RL,195" WB X 6.7,DGS		
DF3100053250	INSTALL,DRIP CAP LARGE 1.25" WHITE	1	EA

**BILL OF MATERIAL - DGS (ROHRER BUS)**

**UNIT #24400**

DF-310-999-0057 REV-A	GALVANIZED METAL EXTERIOR	1	EA
M20000023268	INSTALL,LIGHT LED ALL EXTERIOR SOUND OFF	1	EA
M2-000-999-5251	EXHAUST EXIT REAR OF BUS (DIESEL) M2	1	EA
M2-271-000	DEFENDER,27' TRANSIT BASE CONFIGUR - M2	1	EA