



CHAMPION
BUS, INC.

PARTS CATALOG

Model: Challenger
Model Year: 2014



P.O. Box 158 • Imlay City, MI 48444
(800) 331-5761

To the Customer,

Congratulations on your new Champion Bus, Inc. bus. If this is your first, let me extend a warm welcome to the Champion Bus family. If you are one of the many Americans and Canadians for whom Champion Bus ownership has become a tradition, we believe that your new Champion Bus will surpass your high expectations for a motor coach. It's no exaggeration to say that your new Champion Bus represents major improvements in design and construction since the company began making buses.

Please take a few minutes to acquaint yourself with your new coach. In this manual, along with the chassis, and other O.E.Ms., you will learn a great deal about your new vehicle and any options it may have. If you have additional questions, don't hesitate to call your Champion Bus, Inc. dealer or our service department in Michigan at:

(810-724-6474 or 800-331-5761).

Please count on us to deliver the unparalleled support you should expect as a Champion Bus, Inc. bus owner.

Sincerely yours,

A handwritten signature in black ink, appearing to read 'John Resnik', written in a cursive style.

John Resnik
President, Champion Bus, Inc

About this manual...

This parts catalog identifies service replacement parts for a Champion Bus, Inc.'s bus. It has been edited to a particular model, optional equipment and design configuration. Information in this manual is listed in sections. These sections include; Frame Structures, Exterior Trim, Interior Trim, Doors, Windows, Lights, Heating & Cooling, Options and more...

Use the Bookmark Tab to navigate through the manual or you can use the "Find" command to search for a particular installation or part.

Parts Ordering Instructions...

All orders and inquiries must include: Customer, the Unit's Number and Serial Number, Part Number, description of part as shown on parts list and quantity required. Address all correspondence to the following addresses or Fax number.

Mail:	Rohrer Enterprises, Inc.. 1515 State Road, P.O. Box 100 Duncannon, PA 17020-0100	
Phone:	(800) 735-6700 (717) 957-4774	
Fax:	(717) 957-3897	
Parts Dept:	Parts Specialist Parts Manager	Ext. 242 (parts3@rohrerbus.com) Ext 254 (ahornberger@rohrerbus.com)
Warranty Dept.	Technical Advisor	Ext. 258 (kjones@rohrerbus.com)

General Notes:


1. This catalog contains most of the parts required from a production build. If parts other than those cataloged are required, please provide the bus unit number and serial number, plus a complete description of the parts that are not cataloged.
2. The replacement parts listed on this CD are "Factory-Authorized Parts" .
3. If ordering full assemblies, all parts shown are shipped assembled or separately.
4. As Required parts are to be ordered by specific measurement.
5. The following letter designations are used to classify parts throughout this manual:
A/R = As Required, NSS = Not Sold Separately, N/S = Not Shown, REF = For Reference Only

How to Read the Page...

Parts at Champion Bus, Inc. are organized in assembly numbers (ie. 0416278). The assembly number displayed on the page is a combination of attached parts logically grouped together. This is translated to the pages of our catalogs/manuals. Below is an explanation of what this means to you.

1. Designates Champion Bus
2. Section Number and Description
3. Picture of Assembly
4. Summary of Assembly
5. Assembly Number and Description
6. Item Number, Corresponding with Picture
7. Part Number
8. GCA/CBI Part Description
9. Quantity of Parts within Assembly
10. Notes, if needed
11. Latest Revision Date
12. Page Number
13. Name of Book

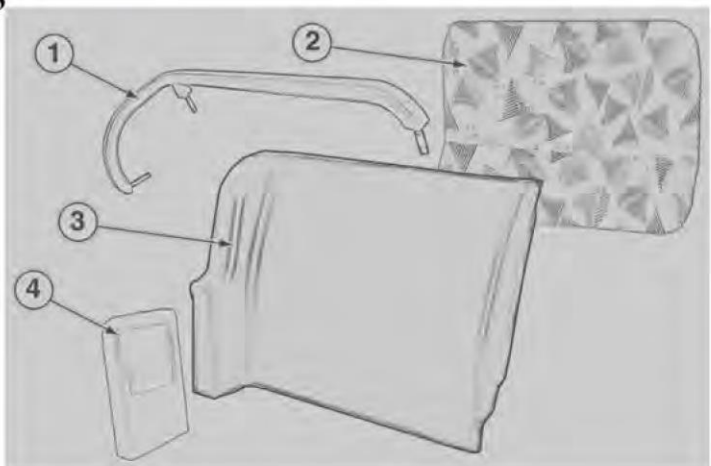
1



2

Section - 4 Interior

3



4

R/S MODESTY PANEL & GRAB HANDLE

ITEM	PART NO.	DESCRIPTION	QTY
5	0416278	Driver's Side Modesty Panel	
6	7	8	9
01	0378619	Grabrail, Driver's Modesty Panel	1
02		Fabric, Modesty Panel	1
03	3371817	Panel, Modesty D/S - SR	1
04	3371816	Panel, Modesty D/S STACKED RAIL	1

10 Fabric Panels are Produced on an "As Call" Basis. Contact your Dealer to Order This Part.

11 Revised: 12/07

12 Page: 4-3

13 ABC 3035 Parts Catalog

CONTENTS

Section 1.....	Frame & Structure
Section 2.....	Exterior
Section 3.....	Interior
Section 4.....	Electrical
Section 5.....	Doors
Section 6.....	Windows
Section 7.....	Lighting
Section 8.....	Heating & Cooling
Section 9.....	Seats
Section 10.....	Safety & Decals
Section 11.....	Optional Equipment

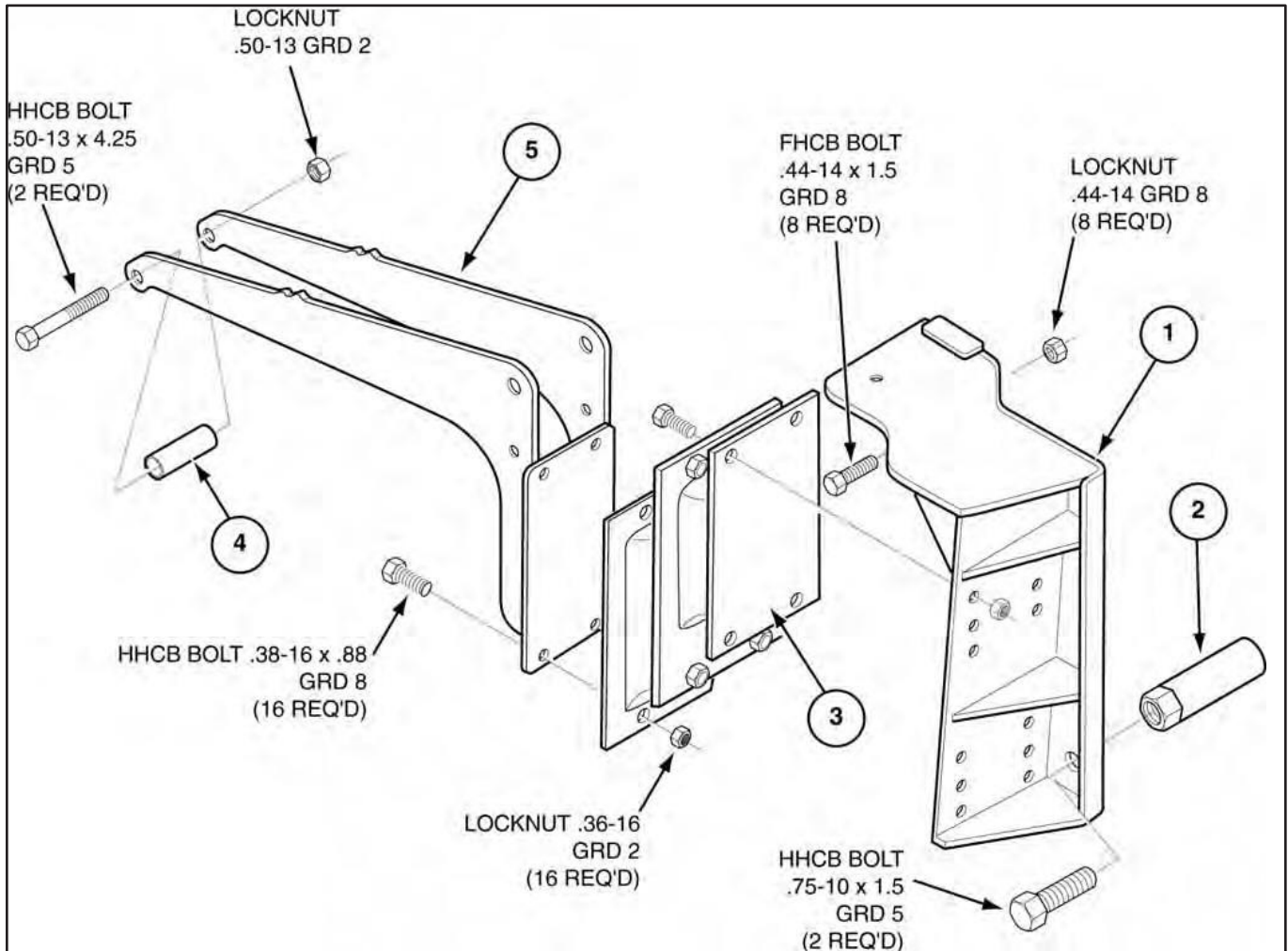


**CHAMPION
BUS, INC.**

Wholly owned subsidiary of Thor Industries, Inc.

SECTION 1:

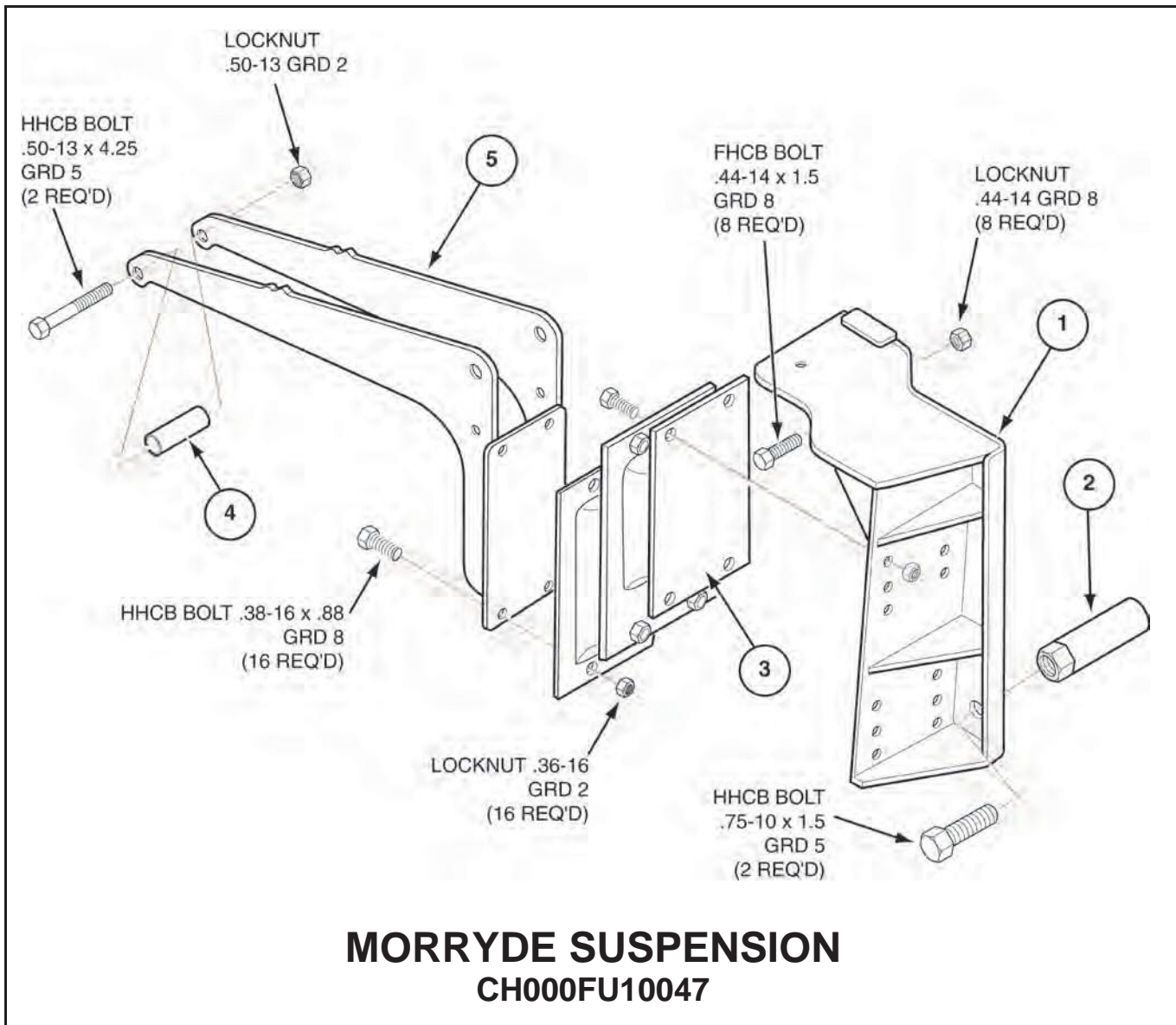
FRAME & STRUCTURE



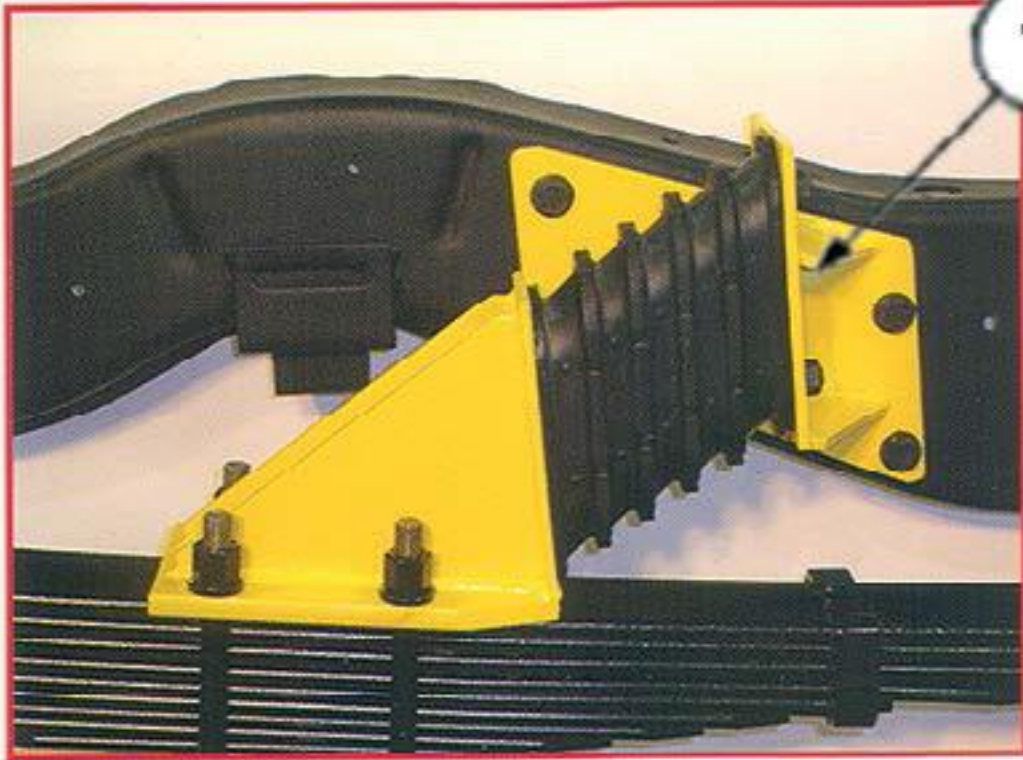
MORRYDE SUSPENSION

0408757 / CH000FP10047

<i>ITEM PART NO. DESCRIPTION</i>	<i>QTY</i>	<i>ITEM PART NO. DESCRIPTION</i>	<i>QTY</i>
0170908 Suspension, Morryde Rubber Leaf	1		
1 1014662 Bracket, Morryde Main	2		
2 1014663 Spacer, Nut Morryde	2		
3 1014664 Block, Rubber Spring Morryde	2		
4 1014665 Spacer, Morryde	2		
5 1014666 Bracket, Outer Morryde	2		
NS 0374645 Tube, Flex (3-1/2" SS)	A/R		
NS 4970609 Clamp, 3-1/2" Strap Band SS	2		
NS 0377160 Shim, Spring Ford .38 Thick	1		



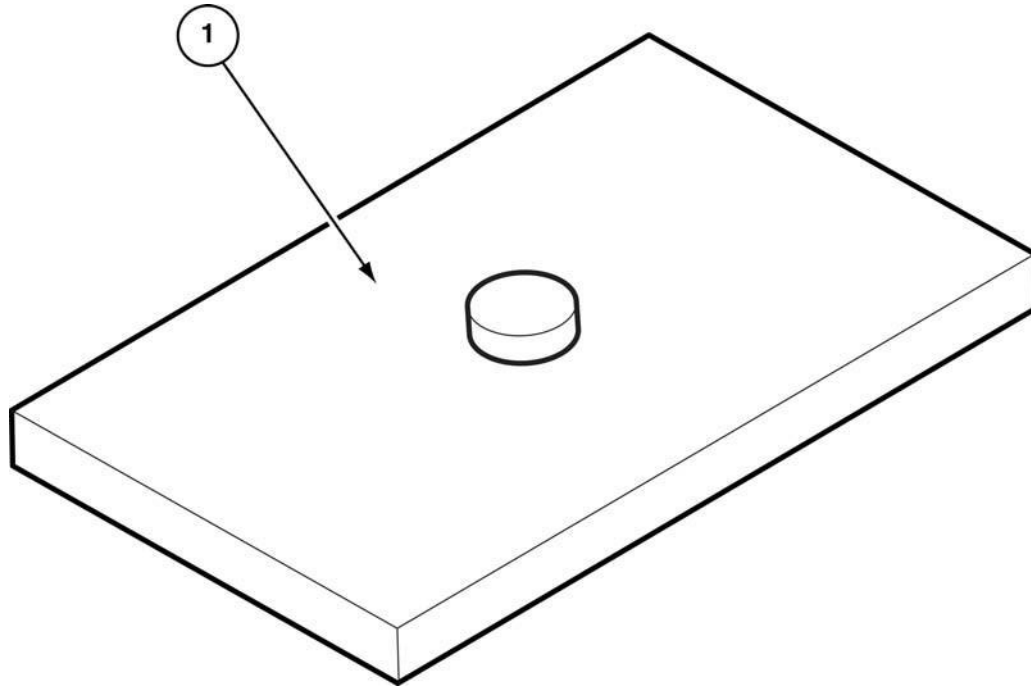
ITEM	PART NO.	DESCRIPTION	QTY	ITEM	PART NO.	DESCRIPTION	QTY
	0170908	SUSPENSION, MORRYDE RUBBER LEAF (FORD)	1				
1	1014662	BRACKET, MORRYDE MAIN	2				
2	1014663	SPACER, NUT MORRYDE	2				
3	1014664	BLOCK, RUBBER SPRING MORRYDE	2				
4	1014665	SPACER, MORRYDE	2				
5	1014666	BRACKET, OUTER MORRYDE	2				
N/S	0374645	TUBE, FLEX (3½" S/S)	A/R				
N/S	0377316	PIPE, MUFFLER W/ 4" OFFSET	1				
N/S	4970609	CLAMP, 3½" STRAP BANDS S/S	2				
N/S	0377160	SHIM, SPRING FORD .38 THICK HRS	1				



**ez-cruise rear suspension e450
0422464**

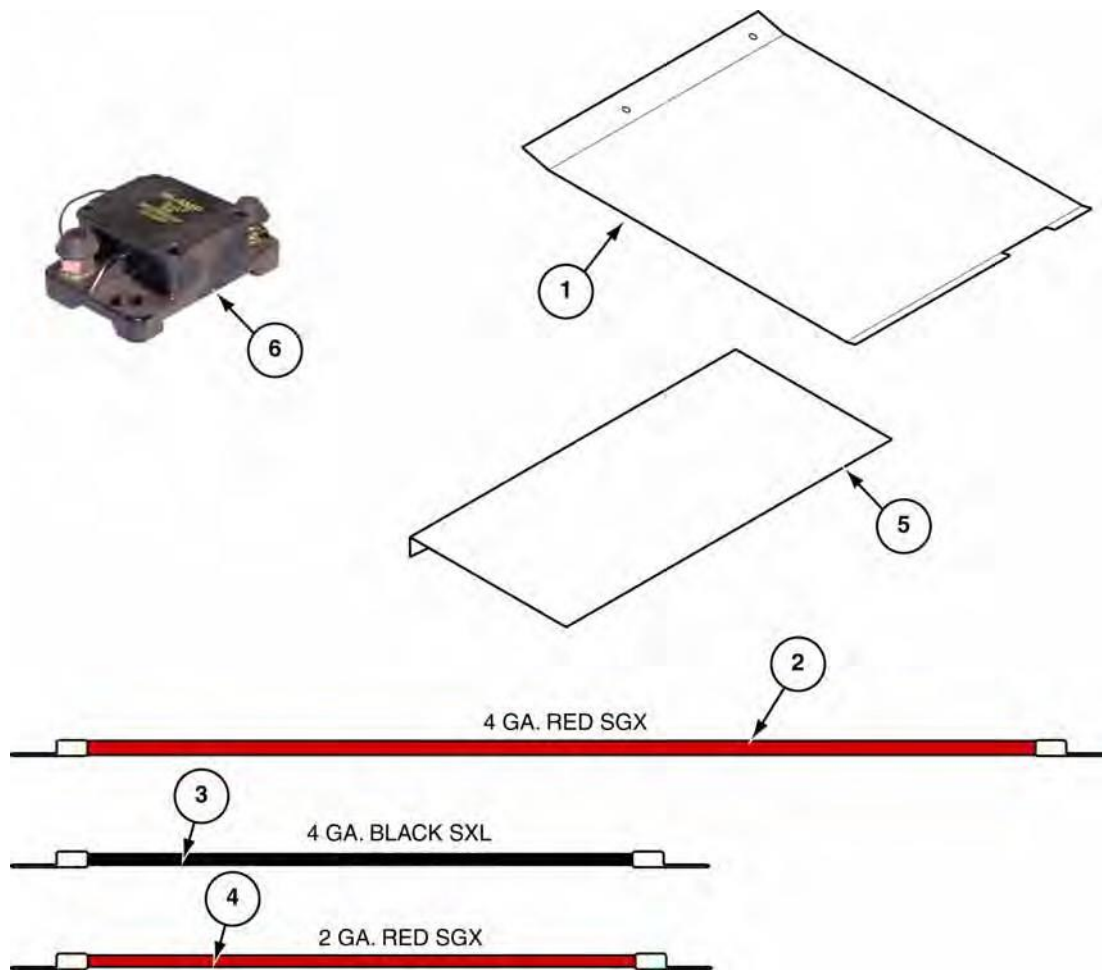
<i>ITEM</i>	<i>PART NO.</i>	<i>DESCRIPTION</i>	<i>QTY</i>	<i>ITEM</i>	<i>PART NO.</i>	<i>DESCRIPTION</i>	<i>QTY</i>
01	0171251	Suspension, EZ-Cruise Rear E450 Kit	1				

NOTE: See your Parts Representative for a breakdown of parts.



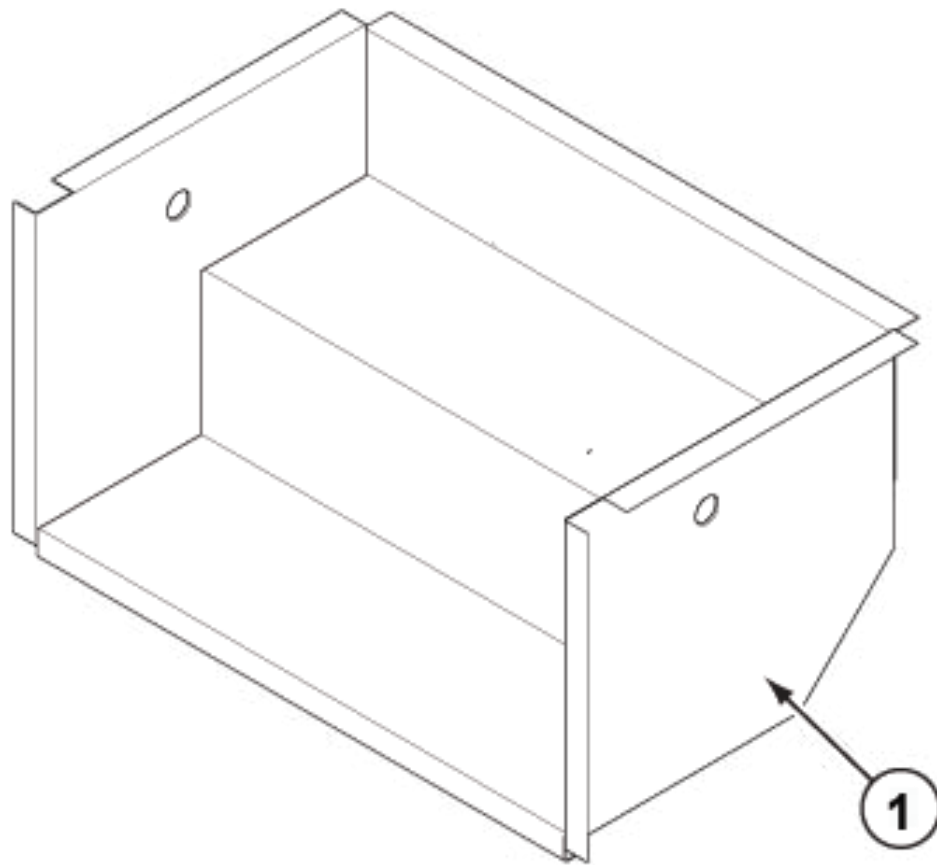
REAR SPRING SPACER (FORD)
0409314

<i>ITEM PARTNO. DESCRIPTION</i>	<i>QTY</i>	<i>ITEM PARTNO. DESCRIPTION</i>	<i>QTY</i>
01 0377160 SHIM, SPRING (.38 THICK HRS) FORD	2		



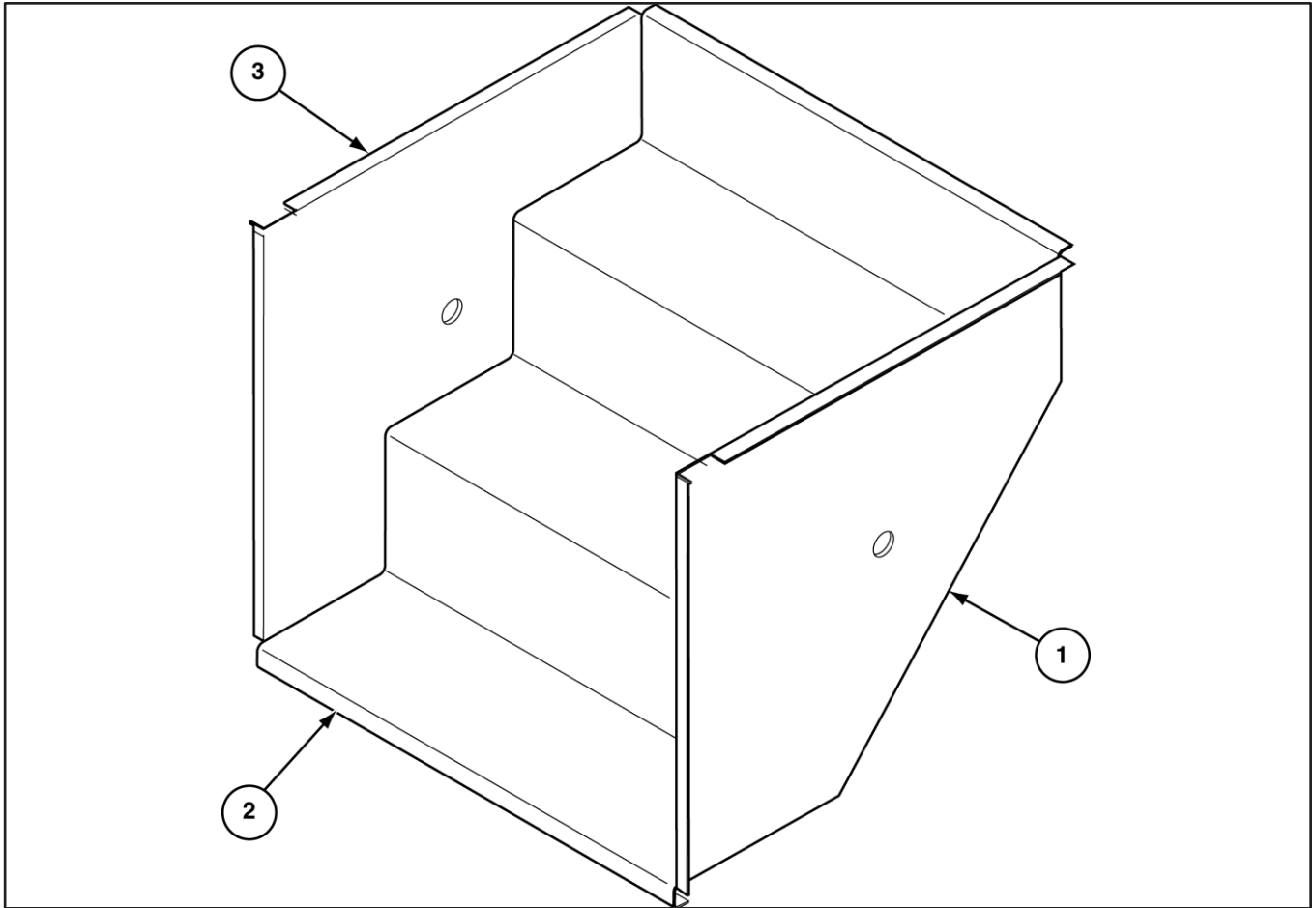
23' CHALLENGER PREP CH-230-100

ITEM	PART NO.	DESCRIPTION	QTY	ITEM	PART NO.	DESCRIPTION	QTY
1	0374965	HEATSHIELD, 120' 18GA GALV	1				
2	3971311	CABLE, BATTERY 4GA SGX RED	A/R				
3	3971310	CABLE, BATTERY 4GA SXL BLACK	A/R				
4	3971324	CABLE, BATTERY 2GA BLACK SGX	A/R				
05	0354894	HEATSHIELD, REAR 16 1/2" 20GA	1				
06	3971283	BREAKER, 80 AMP AUTOMATIC RESET	1				
NS	3972776	HARNES\$MAIN BODY	1				



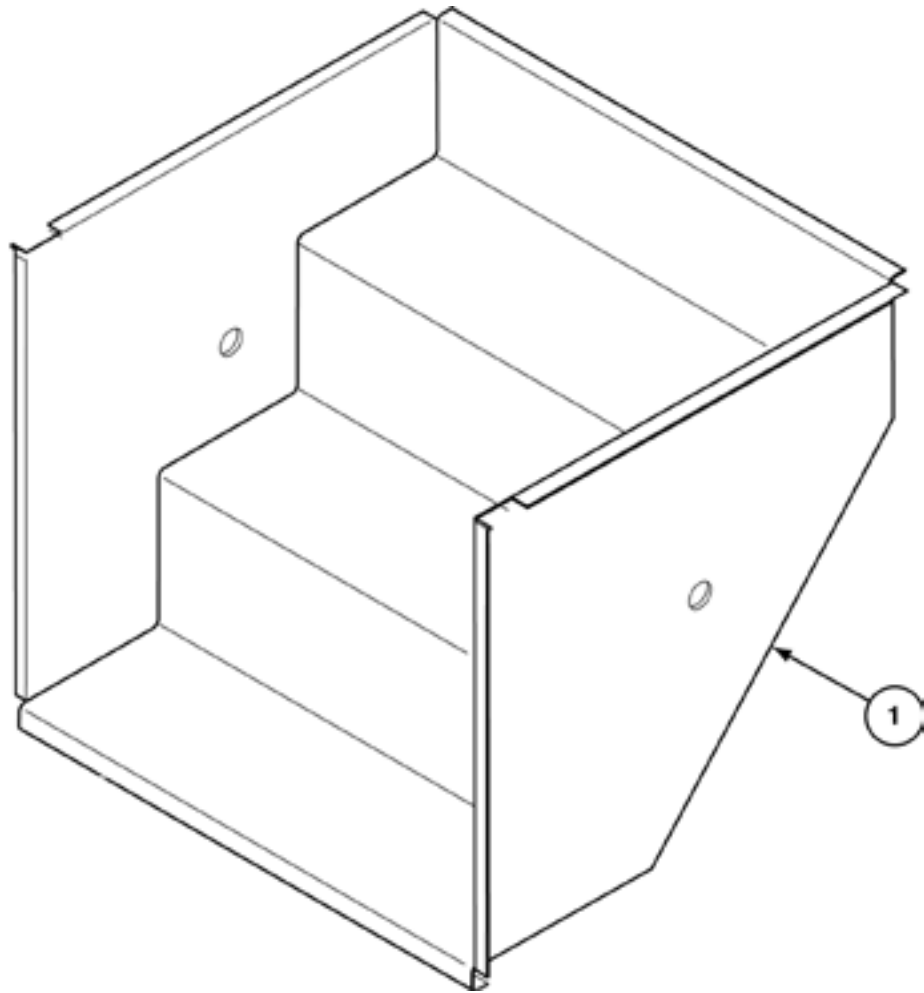
**34¹/₄" STEPWELL S/S ford
0407141**

<i>ITEM</i>	<i>PART NO.</i>	<i>DESCRIPTION</i>	<i>QTY</i>	<i>ITEM</i>	<i>PART NO.</i>	<i>DESCRIPTION</i>	<i>QTY</i>
0	0376478	Step, CH-Ford -34 ¹ / ₄ " , 4 Degree S/S	1				



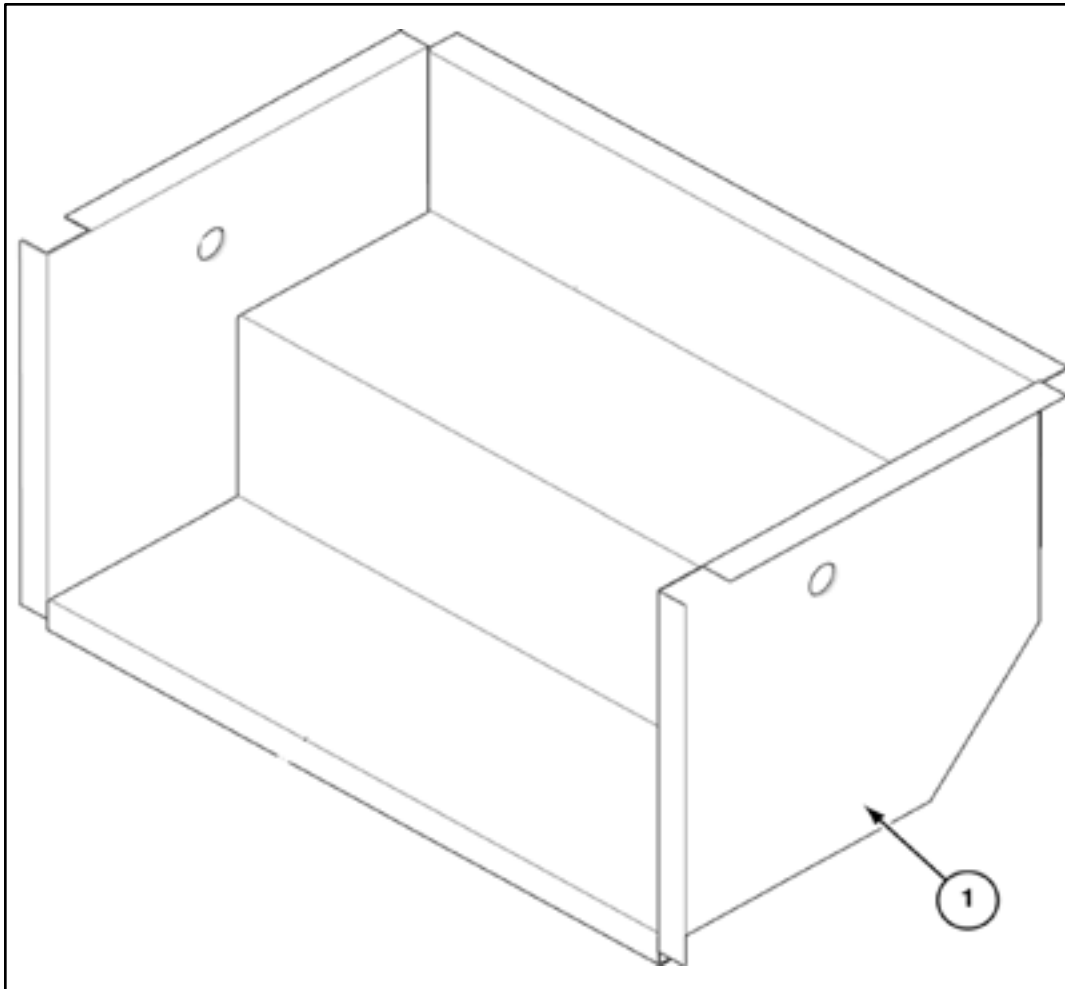
34.25" stepwell, flat floor - ch 0415785

<i>ITEM PART NO. DESCRIPTION</i>	<i>QTY</i>	<i>ITEM PART NO. DESCRIPTION</i>	<i>QTY</i>
01 0378958 SIDE, STEP FRONT CH 8" TREADS S/S	1		
02 0378959 SIDE, STEP REAR CH 8" TREADS S/S	1		
03 0378957 STEPS, CH FORD 8" TREADS S/S	4		



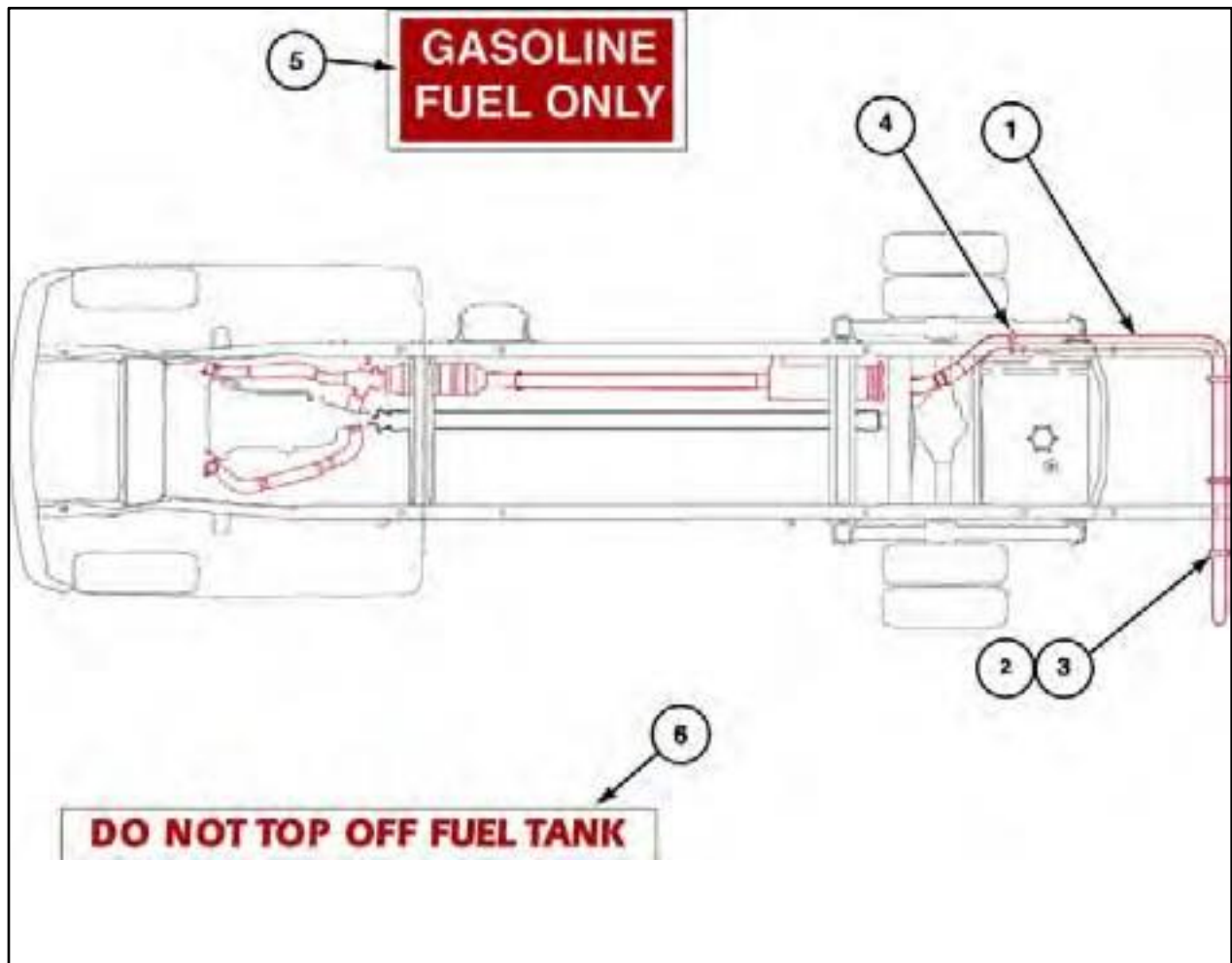
**STEPWELL, raised floor 4-STEP
0418169**

<i>ITEM</i>	<i>PART NO.</i>	<i>DESCRIPTION</i>	<i>QTY</i>	<i>ITEM</i>	<i>PART NO.</i>	<i>DESCRIPTION</i>	<i>QTY</i>
01	0378914	STEP, CH/CR FORD 34.25 SGL 3RD S/S	1				
NS	0372102	Z, 16GA x 1.5 x 5.75 x 1.5 x 68.0	1.6				
NS	0342212	TUBE, 14GA 2 x 1.5 x 24'	AR				
NS	0364836	STEEL, FLAT 16GA x 3" x 96"	AR				
NS	0375468	CAP, 14GA 3 x 2.94 x 2 x 120 HRS	AR				



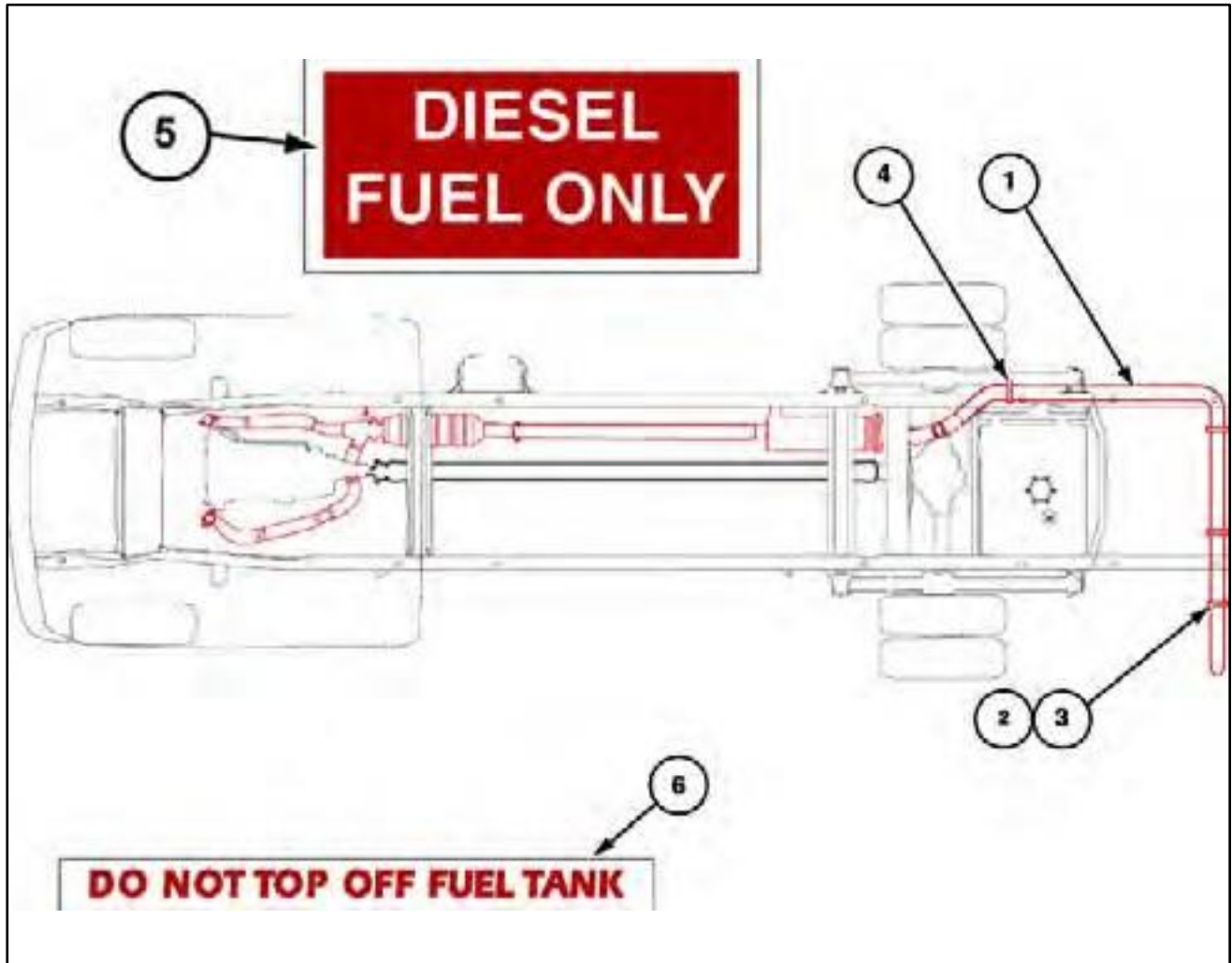
**STEPWELL, 44.25" PoWdEr coaT
0407137P**

<i>ITEM</i>	<i>PART NO.</i>	<i>DESCRIPTION</i>	<i>QTY</i>	<i>ITEM</i>	<i>PART NO.</i>	<i>DESCRIPTION</i>	<i>QTY</i>
01	0378787	Stepwell, Assy CH/CR Ford 44¼" PC	1				
	9740044	Sealant, Silicone Clear	AR				
	0374714	Tube, 16GA ½ x 1½ x 120.0	AR				



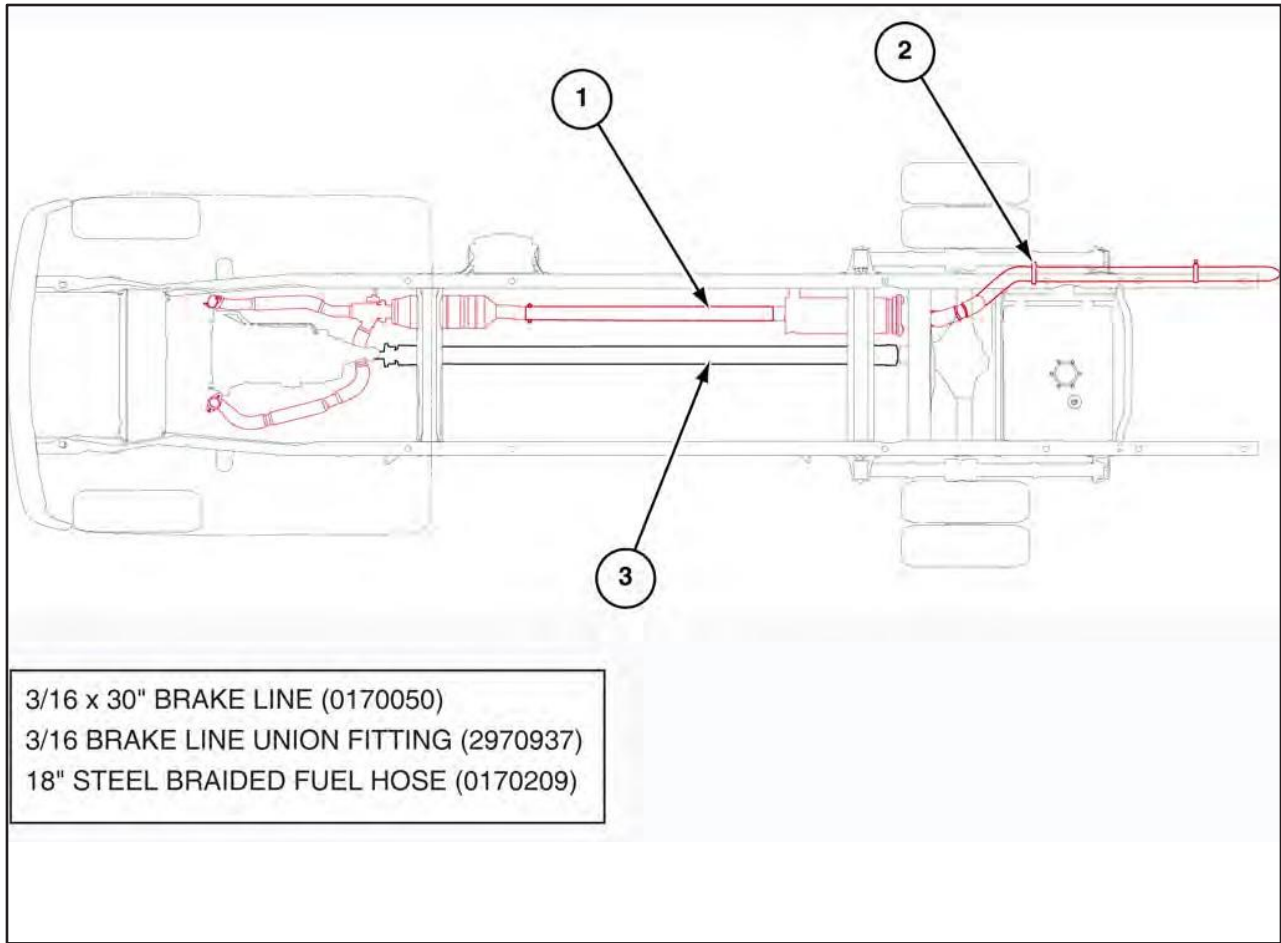
street side exhaust - gas 14047 ass eMBLies (as Listed)

<u>ITEM PART NO. DESCRIPTION</u>	<u>QTY</u>	<u>ITEM PART NO. DESCRIPTION</u>	<u>QTY</u>
1	A/R	<i>Includes the Following Assemblies:</i>	
2	AR	CH000FF14047	
03	AR	CH000FL14047	
04	1	CH000FP14047	
5	1		
6	1		



street side exhaust - ds l 14047 ass eMBlies (as listed)

<i>ITEM PART NO. DESCRIPTION</i>	<i>QTY</i>	<i>ITEM PART NO. DESCRIPTION</i>	<i>QTY</i>
1 0374410 Pipe, Exhaust 3½" Alumized 10'	A/R	<i>Includes the Following Assemblies:</i> 0403497 CH000FU14047 CH000FK14047 CH000FS14047 CH000FW14047	
0170946 Pipe, Exhaust 3½" x 90 Degree	1		
2 4970728 Rod, Exhaust Hanger 3/8" x 15"	3		
03 4970475 Clamp, Muffler 3½"	2		
4 4970727 Hanger, Exhaust 5" Bar W/Grommet	3		
5 8940215 Decal, Diesel Fuel Only AD61	1		
6 8945016 Decal, Do Not Top Off Fuel Tank	1		



Chassis stretch 158"-190" e-450 gas 08' 0416666

<i>ITEM PART NO. DESCRIPTION</i>	<i>QTY</i>	<i>ITEM PART NO. DESCRIPTION</i>	<i>QTY</i>
01 0374284 Pipe, Exhaust 3" Alumized 10'	.3		
02 4970475 Clamp, Muffler 3½"	1		
03 0171032 Shaft, Drive Ford E450 158"-190"	1		
NS 0180050 Line, Brake 3/16 x 30"	1		
NS 2970937 Fitting, Union 3/16 Brake Line	1		
NS 0170209 Hose, 18" Fuel Steel Braided Count	2		
NS 0374863 Reinforcement, Frame Ford	2		
NS 0374862 Insert, Stretch Ford 32.0	2		
NS 0375641 Extension, Frame Ford 9.50	2		
NS 0170993 Harness, Fuel Sending Unit Ext 190"	1		

PICTURE NOT AVAILABLE AT THIS TIME

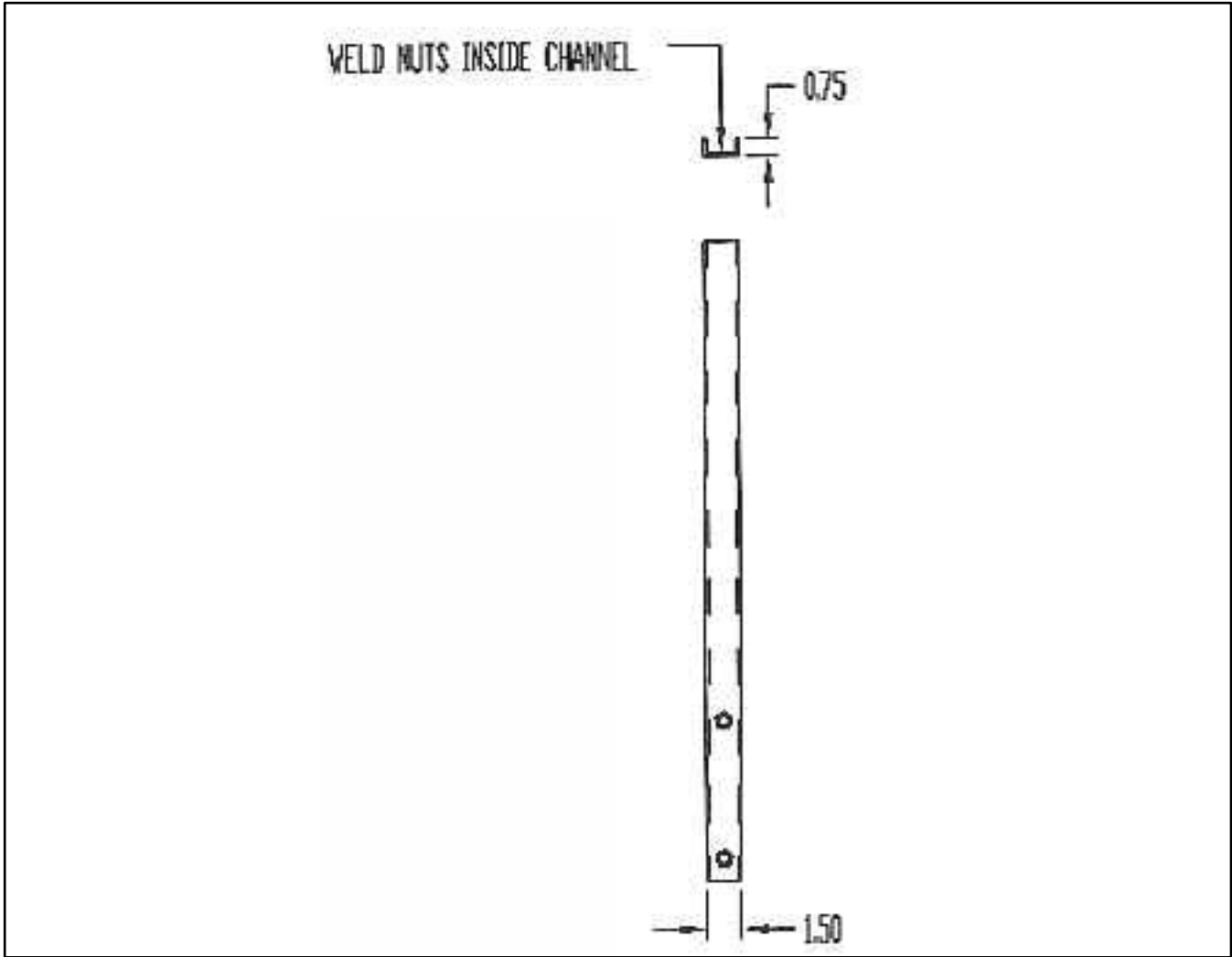
ENTRANCE DOOR WINGS S/S 0416968

<u>ITEM PART NO.</u>	<u>DESCRIPTION</u>	<u>QTY</u>	<u>ITEM PART NO.</u>	<u>DESCRIPTION</u>	<u>QTY</u>
1	0378790 WING, ENTRANCE DOOR FRNT S/S	1			
2	0378791 WING, ENTRANCE DOOR REAR S/S	1			



GROMMETS - FLOOR PASS THROUGH CX0000020128

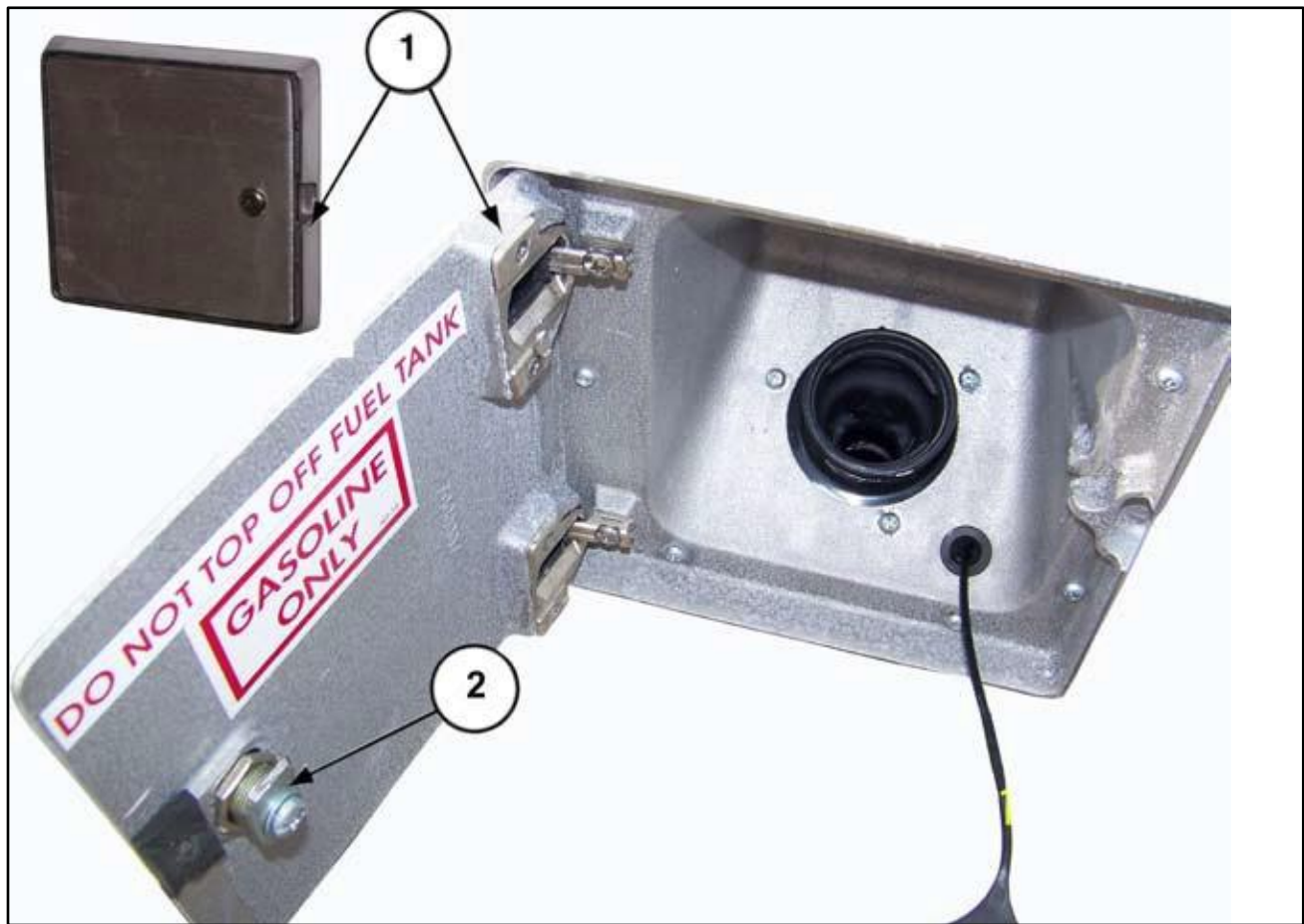
<i>ITEM</i>	<i>PART NO.</i>	<i>DESCRIPTION</i>	<i>QTY</i>	<i>ITEM</i>	<i>PART NO.</i>	<i>DESCRIPTION</i>	<i>QTY</i>
01	3971515	Grommet, 2-1/8" x 1-3/16" ID	3				



**closure dc (5" x 8¹/₄") W/gasket
0422224**

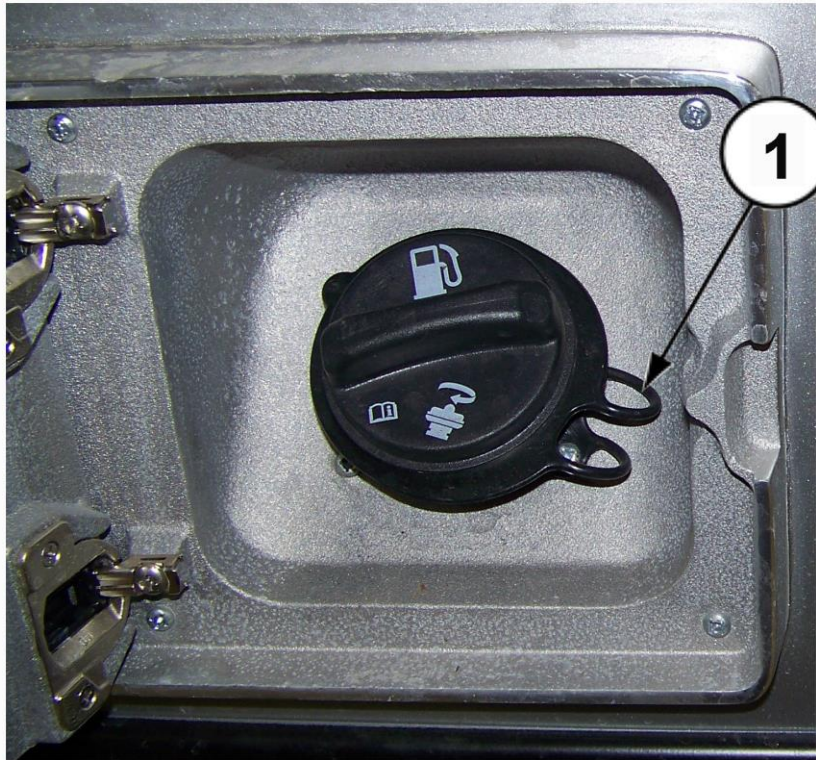
<u>ITEM</u>	<u>PART NO.</u>	<u>DESCRIPTION</u>	<u>QTY</u>	<u>ITEM</u>	<u>PART NO.</u>	<u>DESCRIPTION</u>	<u>QTY</u>
01	3976063	Closure, DC)5 x 8.25") W/Gasket	1				

NOTE: This is prep for customer installed ski rack.



LOCKING Fuel FILL DOOR - s/s FORD 0403274

<i>ITEM PART NO. DESCRIPTION</i>	<i>QTY</i>	<i>ITEM PART NO. DESCRIPTION</i>	<i>QTY</i>
1 0378568 Bezel, Fuel Fill W/SS Door LH Lock	1		
2 5340393 Lock, Keyed Assembly	1		
NS 0400131 Backer, Gas Fill Ford Assy	1		
NS 3370277 Cover, Gas Fill With Angle	1		



tether fill cap
cX0000010028

<i>ITEM PART NO. DESCRIPTION</i>	<i>QTY</i>	<i>ITEM PART NO. DESCRIPTION</i>	<i>QTY</i>
01 3970548 Terminal, Ring Insul 6GA #10	2		

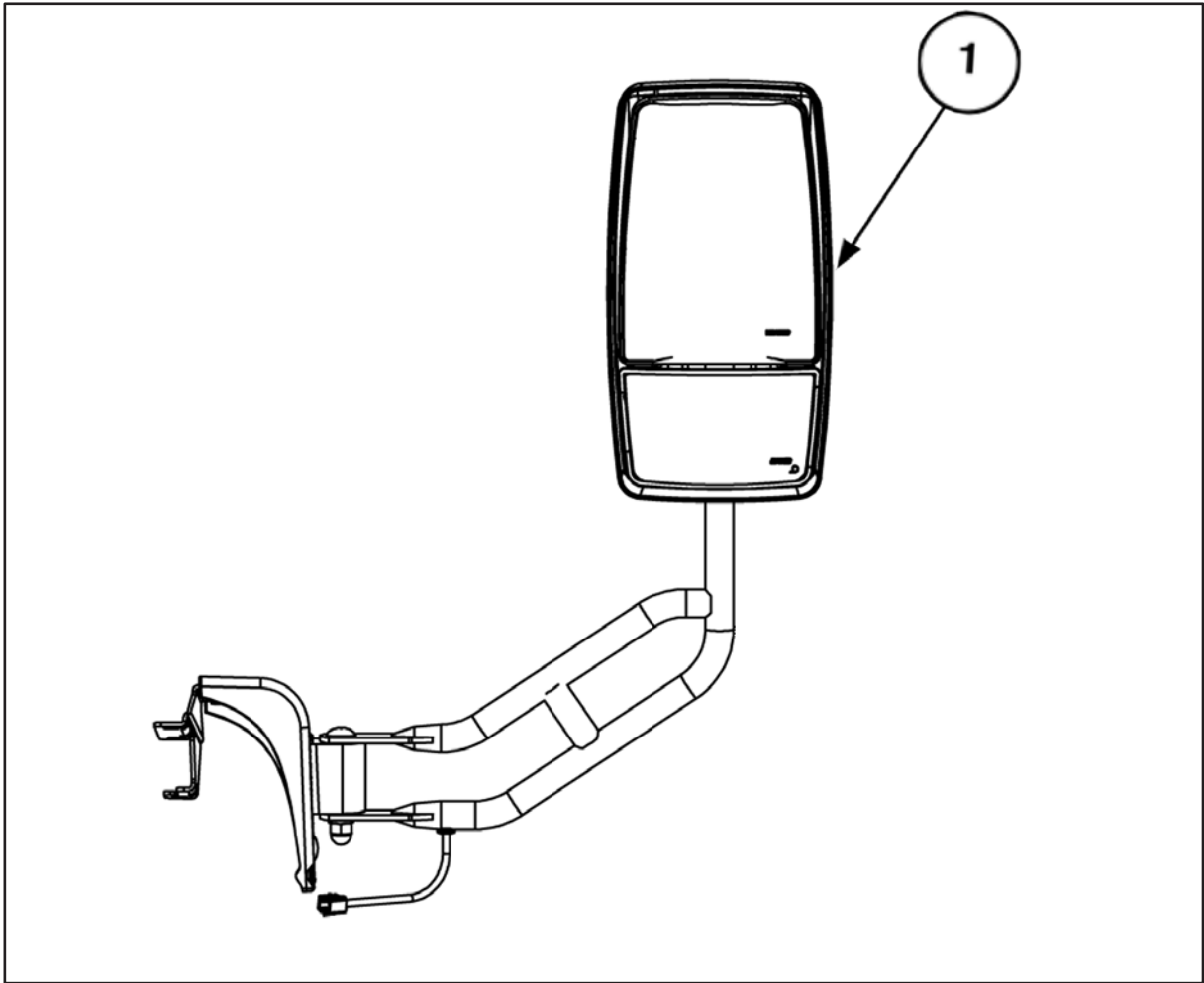


**CHAMPION
BUS, INC.**

Wholly owned subsidiary of Thor Industries, Inc.

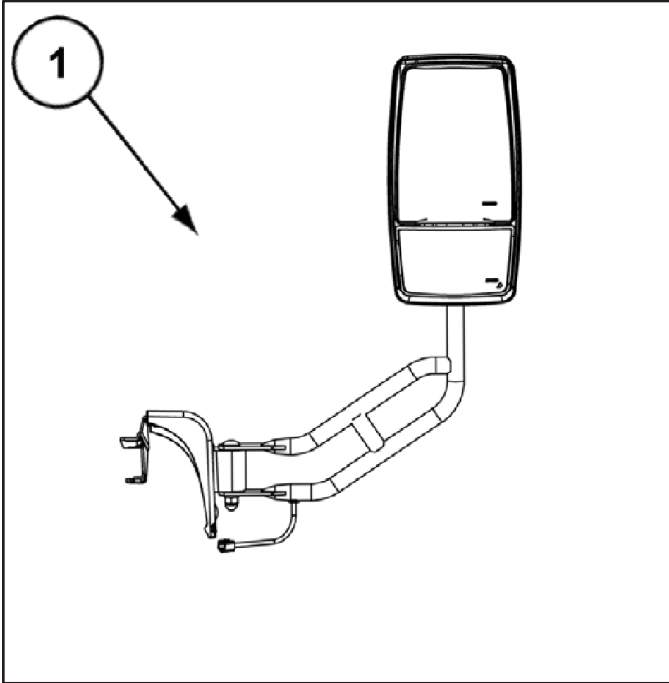
SECTION 2:

EXTERIOR TRIM



**mirr or, eu rostyle manual ford '08
0416567**

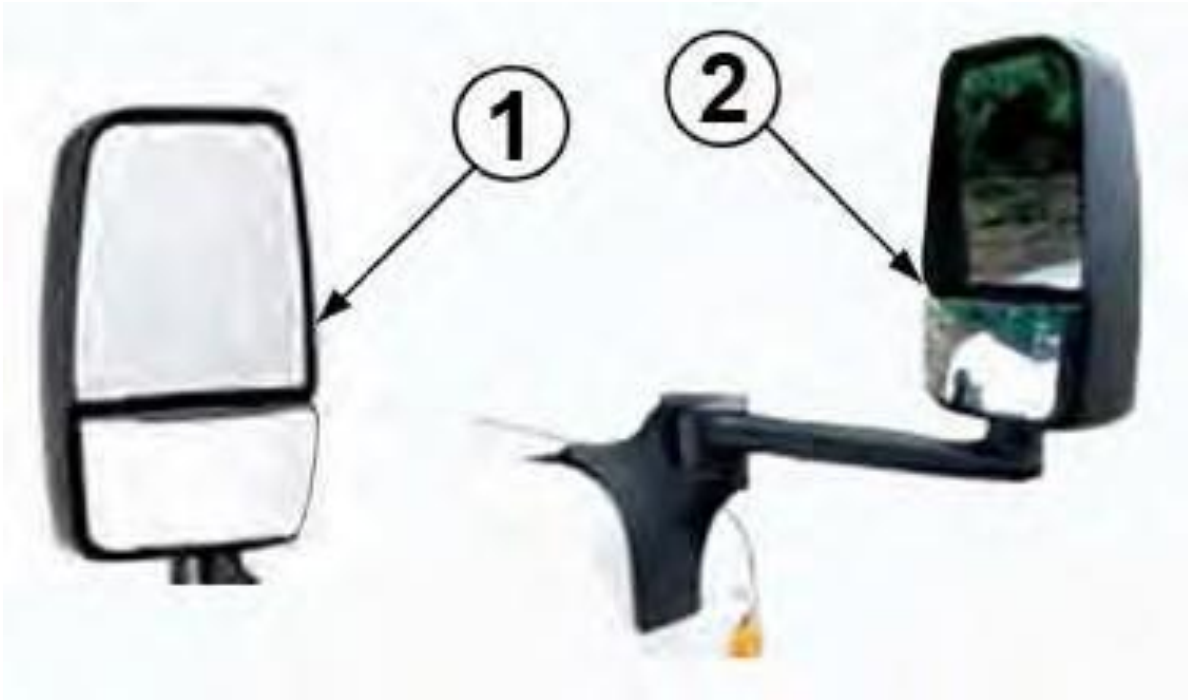
<i>ITEM PART NO. DESCRIPTION</i>	<i>QTY</i>	<i>ITEM PART NO. DESCRIPTION</i>	<i>QTY</i>
01 6170596 Mirror, P/S Manual Non-Htd	1		
NS 6170595 Mirror, D/S Manual Non-Htd (D/S Mirror Similar to P/S Mirror)	1		



PICTURE NOT AVAILABLE AT THIS TIME

**MIRROR, REMOTE W/SWITCH S/S FORD '08
0416528**

<i>ITEM PART NO. DESCRIPTION</i>	<i>QTY</i>	<i>ITEM PART NO. DESCRIPTION</i>	<i>QTY</i>
01 6170463 MIRROR,HTD/REM/SWITCH PASS SIDE	1		
NS 6170464 MIRROR,HTD'REM/SWITCH ROAD SIDE	1		



**velvac exterior mirror - manual
0421045**

<i>ITEM</i>	<i>PART NO.</i>	<i>DESCRIPTION</i>	<i>QTY</i>	<i>ITEM</i>	<i>PART NO.</i>	<i>DESCRIPTION</i>	<i>QTY</i>
1	6170626	Mirror, Velvac Manual R/S Ford	1				
2	6170627	Mirror, Velvac Manual C/S Ford	1				

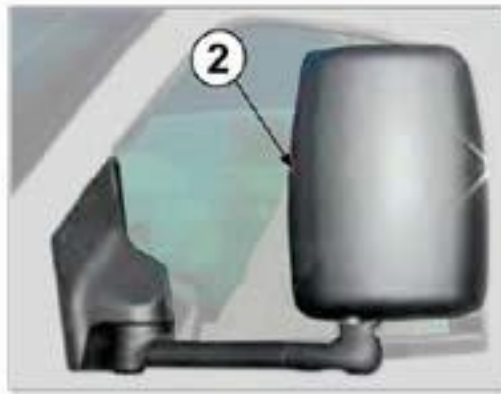


**velvac exterior mirrors htd rmt
0421046**

<i>ITEM</i>	<i>PART NO.</i>	<i>DESCRIPTION</i>	<i>QTY</i>	<i>ITEM</i>	<i>PART NO.</i>	<i>DESCRIPTION</i>	<i>QTY</i>
1	6170628	Mirror, Velvac HTD/RMT R/S Ford CH/CR	1				
2	6170629	Mirror, Velvac HTD/RMT C/S Ford CH/CR	1				
3	6170485	Switch, Kit Mirror Exterior Velvac HTD/RMT	1				
4	6170619	Harness, Kit Mirror Exterior Velvac HTD/RMT	1				



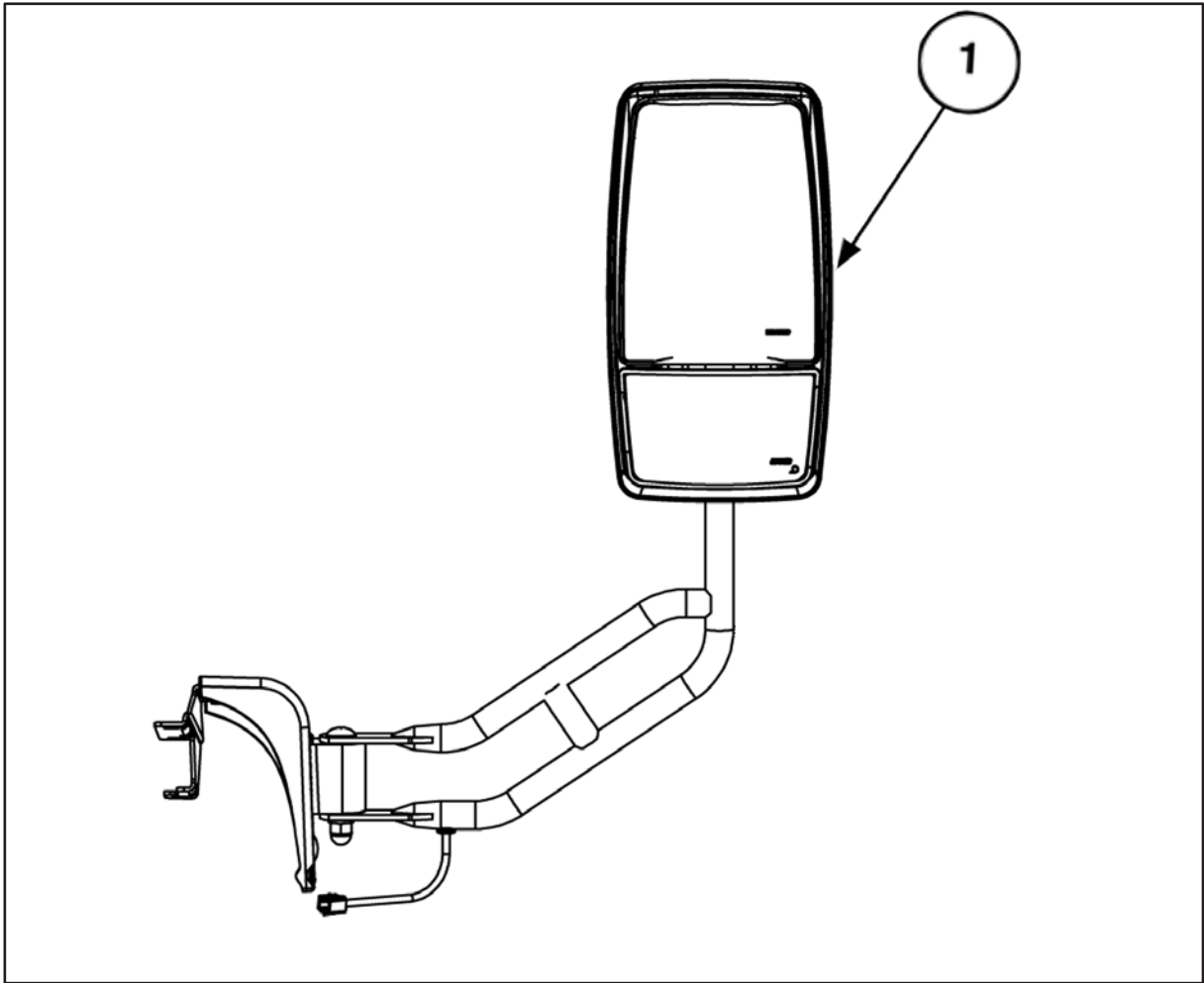
Curbside Mirror



Roadside Mirror

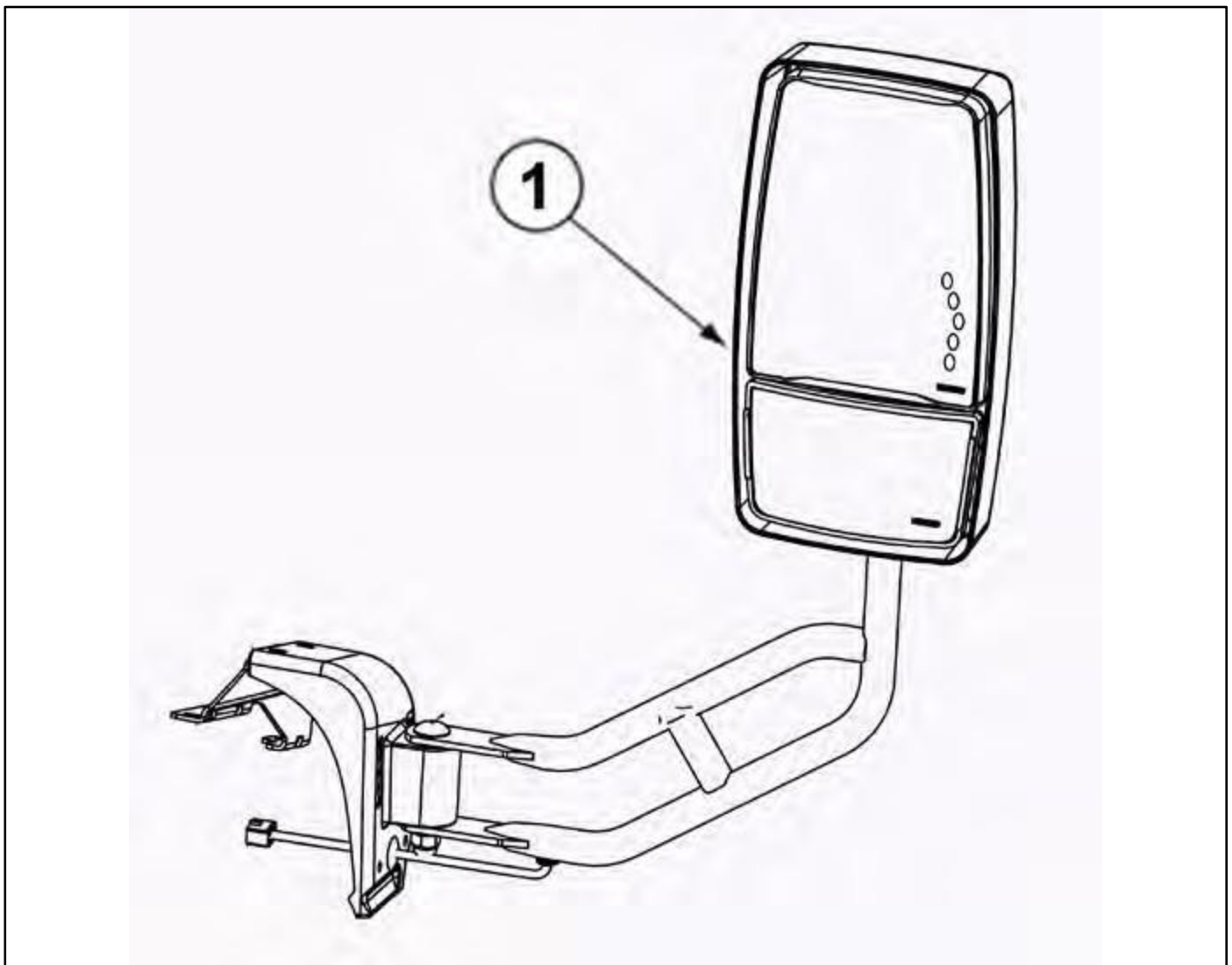
**Ext. VEIVac Mirrors htd/rMt for all glass
0422043**

<i>ITEM</i>	<i>PART NO.</i>	<i>DESCRIPTION</i>	<i>QTY</i>	<i>ITEM</i>	<i>PART NO.</i>	<i>DESCRIPTION</i>	<i>QTY</i>
1	6170695	Mirror, Velvac Htd/Rem, H/R Curbside	1				
2	6170700	Mirror, Velvac Htd/Rem, H/R Roadside	1				
NS	6170696	Switch, Kit Econoline Rmt, Rmt, Htd	1				
NS	6170697	Harness, Kit (Door to Doot)	1				
NS	6170698	Harness, Intermed 44" 12-20GA	1				
NS	6170699	Harness, Intermed 76" 12-20GA	1				



mirr or, heated-remote ford '08
ch000fP70389 / 0416649

<i>ITEM PART NO. DESCRIPTION</i>	<i>QTY</i>	<i>ITEM PART NO. DESCRIPTION</i>	<i>QTY</i>
01 6170459 Mirror, Htd Remote PS W/Switches	1		
NS 6170458 Mirror, Htd Remote DS W/Switches (D/S Mirror Similar to P/S Mirror)	1		



EXTERIOR MIRRORS, HTD/REM/TS 0416650

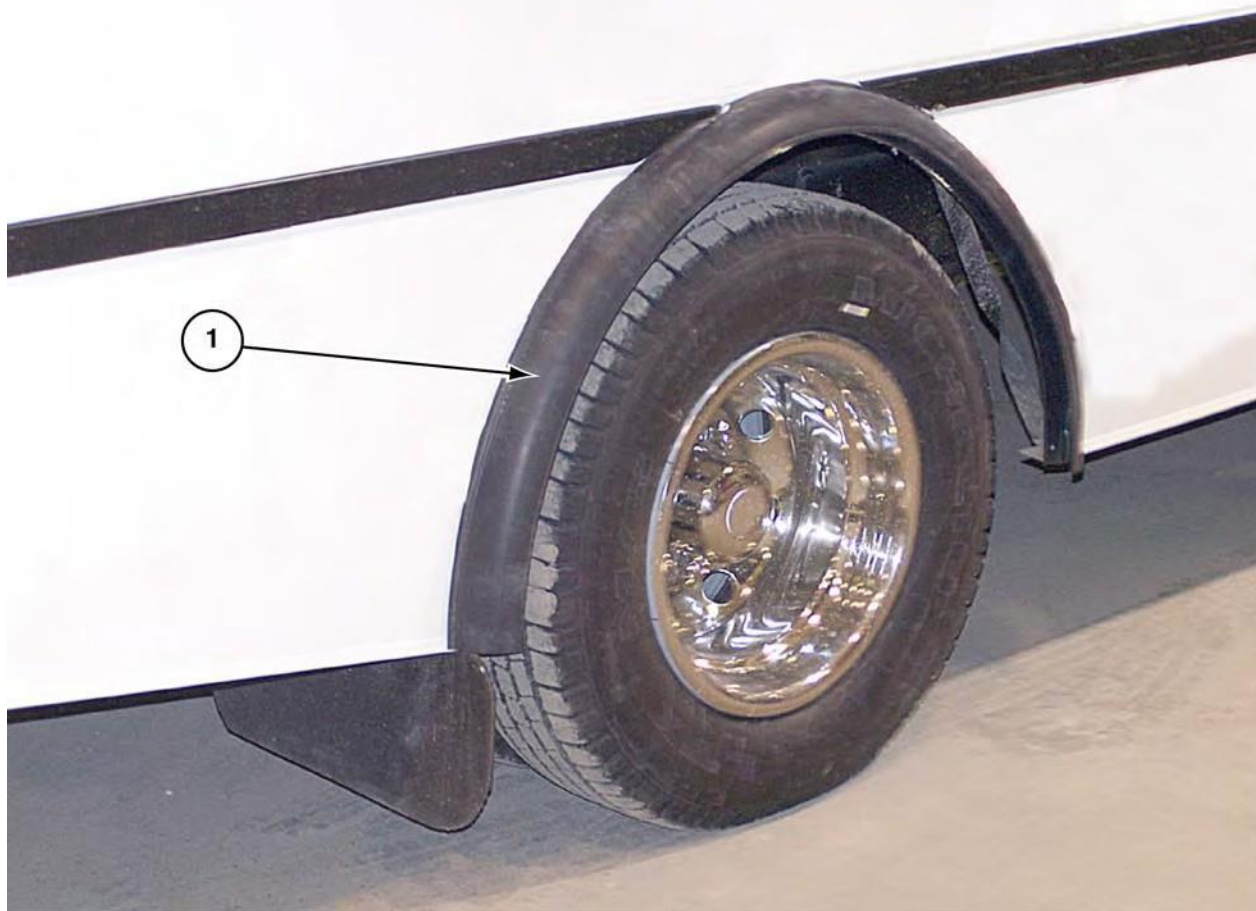
Item	Part Number	Description	QTY	Item	Part Number	Description	QTY
01	6170461	Mirror, Heat/Rem D/S LED Turn W/Switch	1				
NS	6170460	Mirror, Heat/Rem P/S LED Turn W/Switch	1				

Also Found in Assemblies:



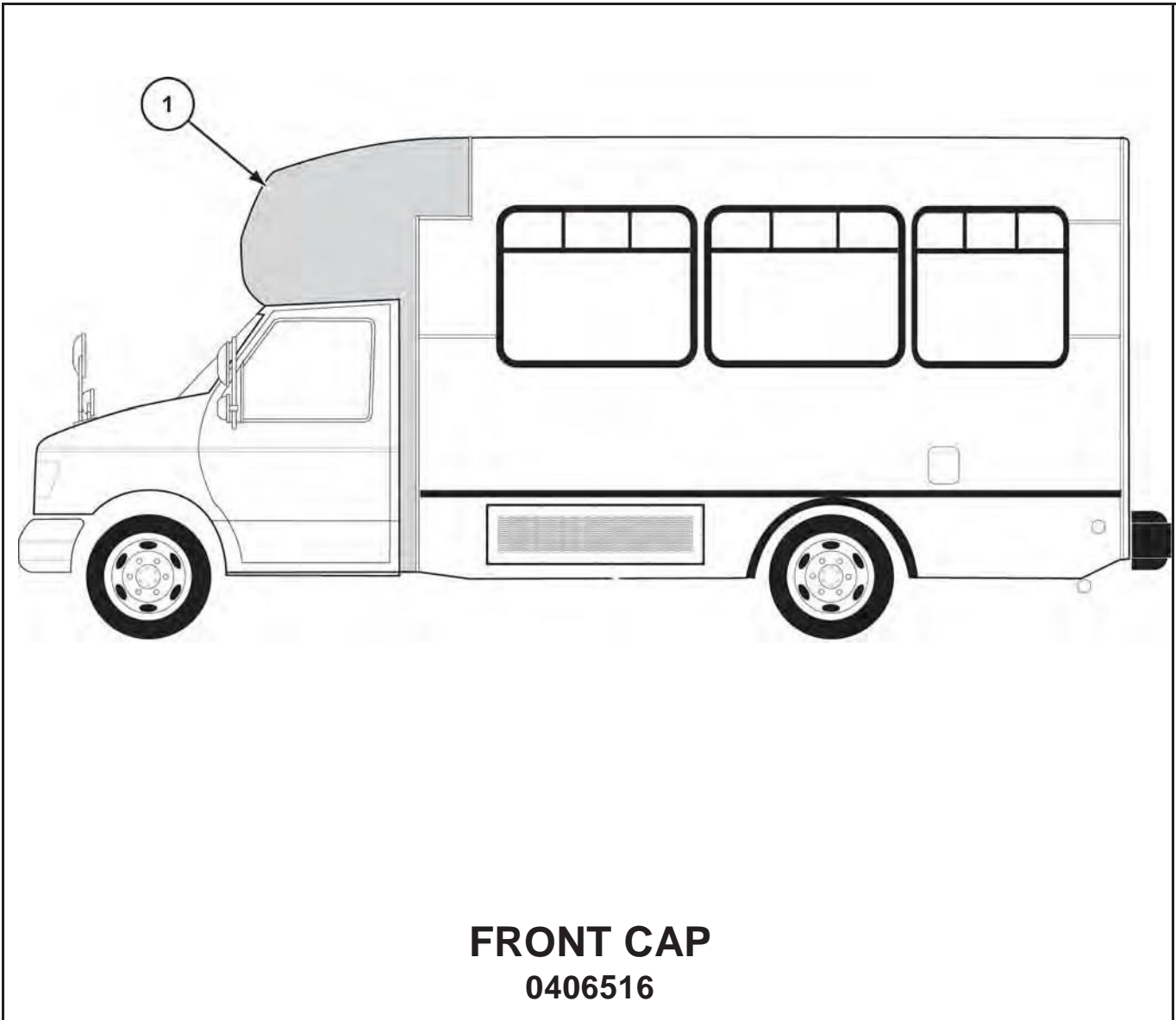
exterior crossview mirror
cx-000-900-3243 / cx0000073243

<i>ITEM</i>	<i>PART NO.</i>	<i>DESCRIPTION</i>	<i>QTY</i>	<i>ITEM</i>	<i>PART NO.</i>	<i>DESCRIPTION</i>	<i>QTY</i>
01	6142111	MIRROR, DOLLY (w/MOUNT)	1				
N/S	6170120	WELLNUT, RUBBER	6				
N/S	8570981	SCREW, MACHINE (10-32 x 3/4 PHIL PAN)	6				
N/S	8571190	NUT, RIVET 1/4-20 .165-- .260	A/R				



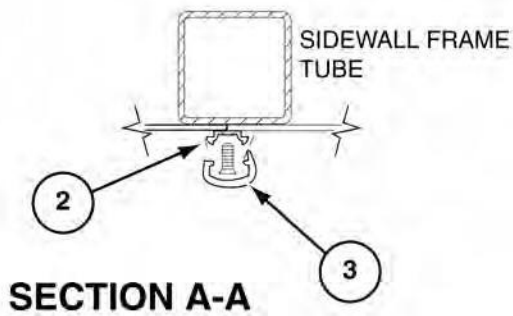
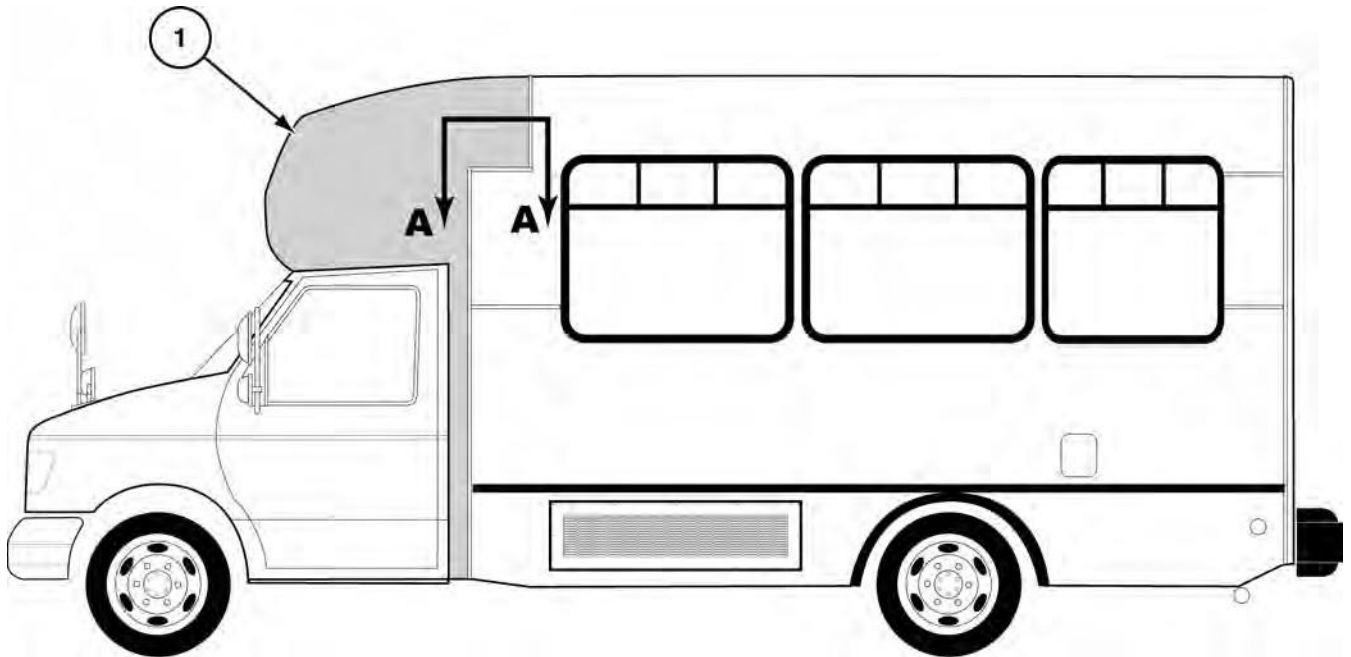
REAR EXTRUSION 0402776

<u>ITEM PART NO.</u>	<u>DESCRIPTION</u>	<u>QTY</u>	<u>ITEM PART NO.</u>	<u>DESCRIPTION</u>	<u>QTY</u>
01	3344942 EXTRUSION, FENDER 82178 50 FEET	A/R			



FRONT CAP
0406516

<i>ITEM PART NO. DESCRIPTION</i>	<i>QTY</i>	<i>ITEM PART NO. DESCRIPTION</i>	<i>QTY</i>
01 3371194 CAP, FRONT	1		
N/S 8970394 TAPE, WINDOW SEALEX SX1412 1/4 X 1/2	8		
N/S 4570101 TRACK, RVL ALUMINUM TRIM 2 (12') T6	2		
N/S 334203/F COVER, RVL .13 LEG FROST WHITE 200'	A/R		



Ch-250-800 (0406515)

<i>ITEM</i>	<i>PART NO.</i>	<i>DESCRIPTION</i>	<i>QTY</i>	<i>ITEM</i>	<i>PART NO.</i>	<i>DESCRIPTION</i>	<i>QTY</i>
01	3371193	CAP, FRONT FIBERGLASS	1				
02	4570101	TRACK, REVEAL ALUMINUM TRIM (12') T6	A/R				
03	3342037F	COVER, REVEAL (200' ROLL)	A/R				
04	3972999	LIGHT, CAB CLEARANCE (25062Y)	5				
N/S	3971772	WIRE HARNESS, FRONT CLEARANCE LIGHTS	1				



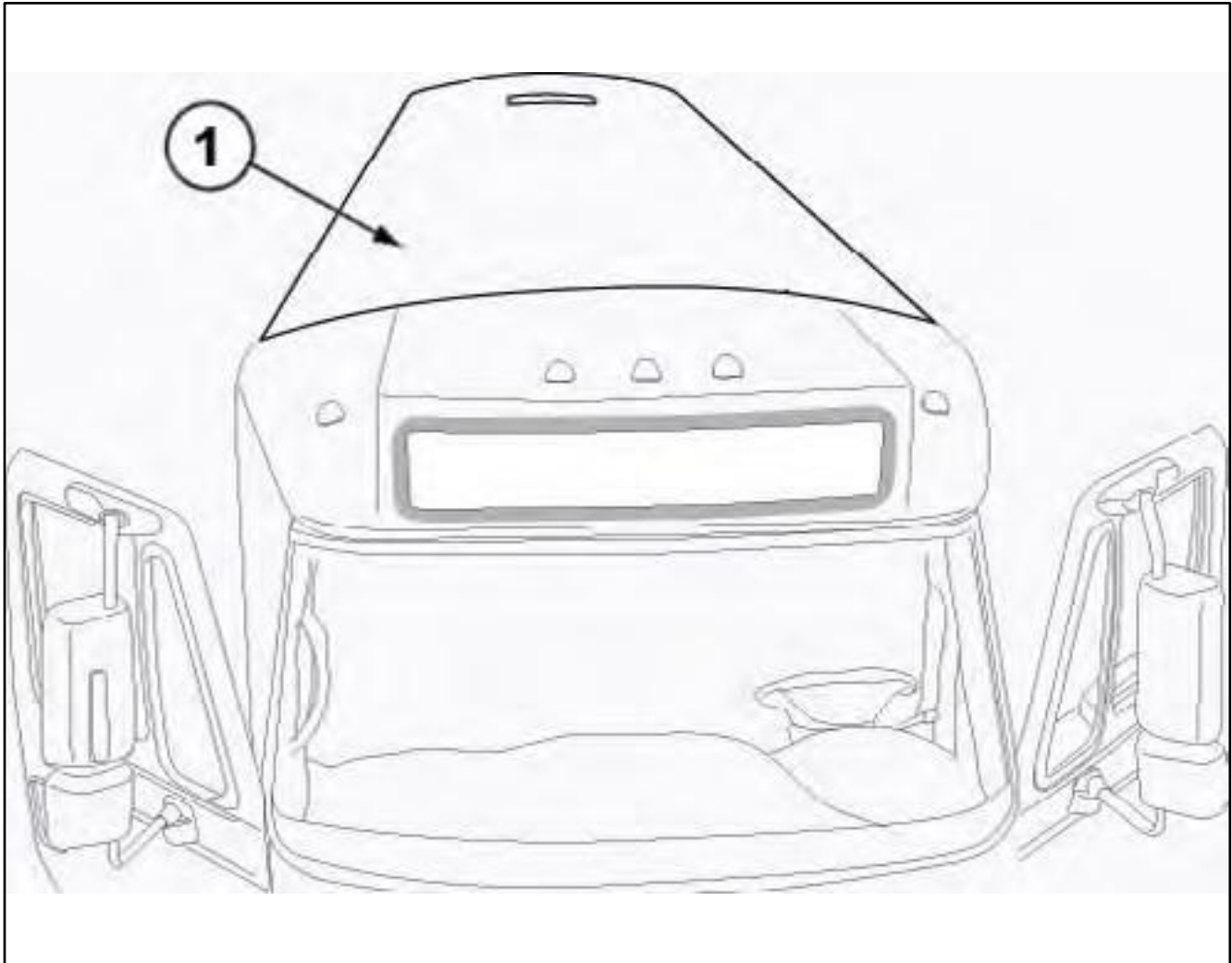
ENTRYWAY R/H
0407216

<i>ITEM PART NO. DESCRIPTION</i>	<i>QTY</i>	<i>ITEM PART NO. DESCRIPTION</i>	<i>QTY</i>
01 3371206 ENTRYWAY R/H	1		



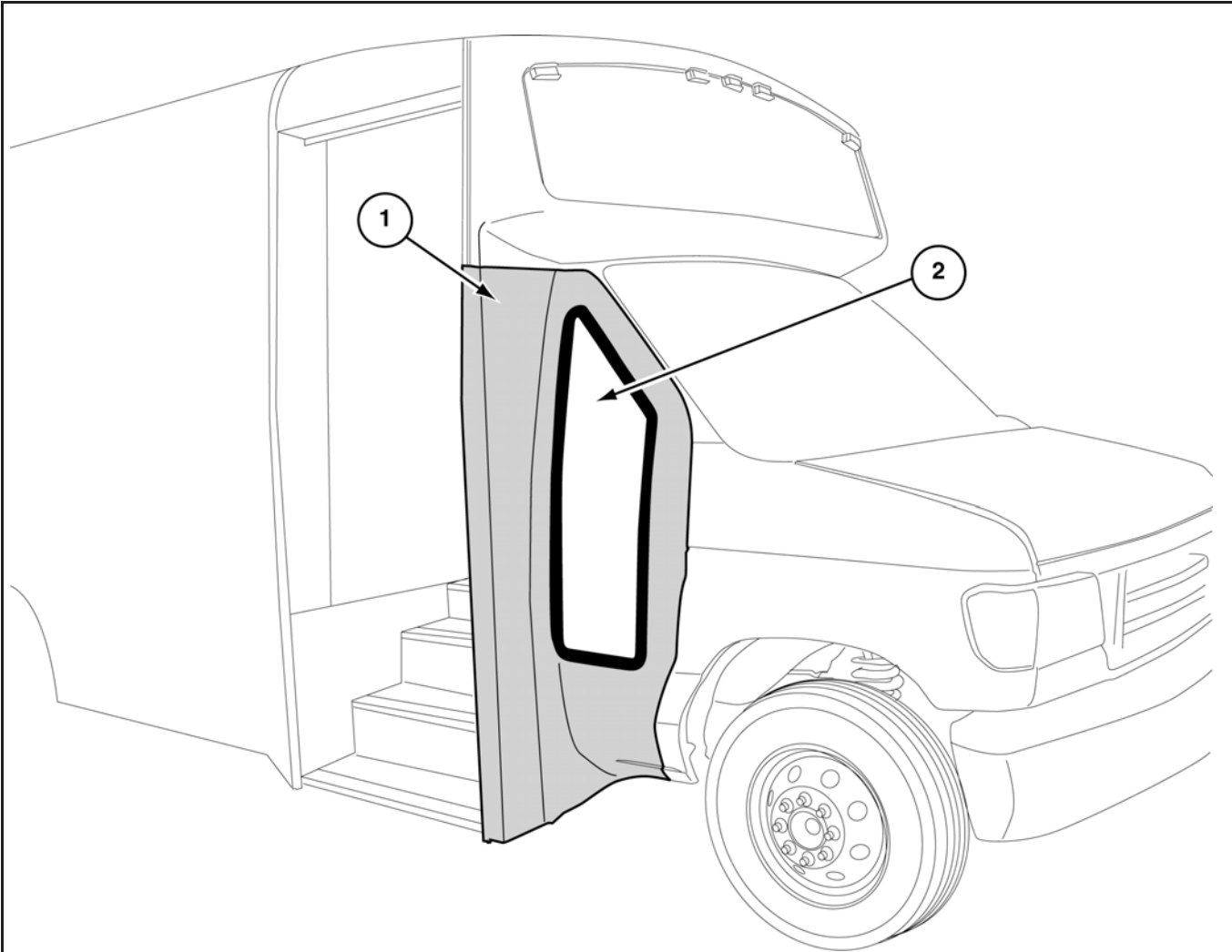
**exterior diamond plate wing guard 12"
0407652**

<i>ITEM</i>	<i>PART NO.</i>	<i>DESCRIPTION</i>	<i>QTY</i>	<i>ITEM</i>	<i>PART NO.</i>	<i>DESCRIPTION</i>	<i>QTY</i>
01	0372078	PLATE, DIAMOND ALUMINUM .13x 12 x 1	2				
N/S	8571030	WELLNUT, 1/4 -20 RUBBER	8				
N/S	8571064	SCREW, MACHINE 1/4-20 x 1 PHIL PAN	8				
N/S	7970043	SEALANT, BOSTIK 2100	A/R				



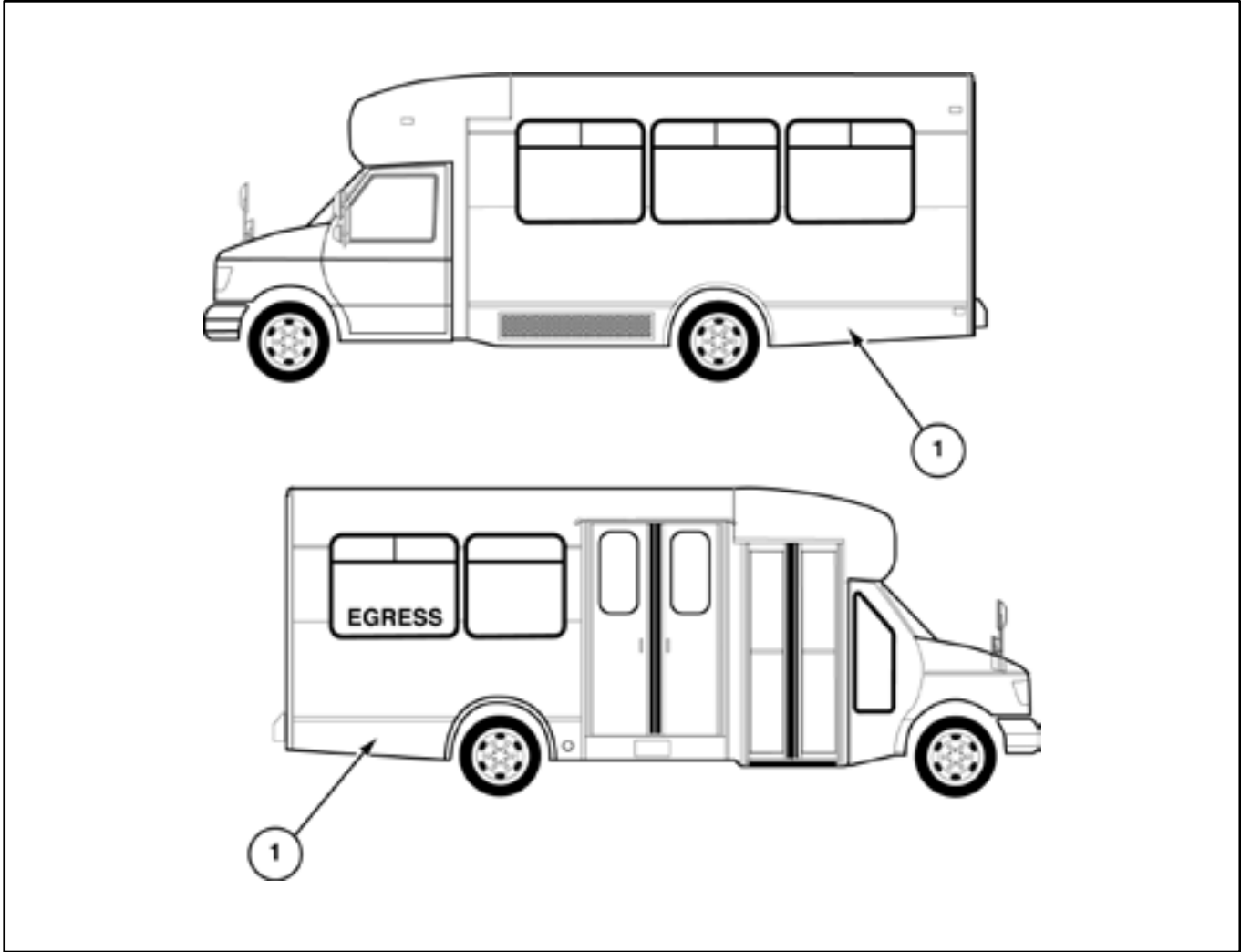
**roof, tekmo to (1 piece roof top)
0420545 / 0420544**

<i>ITEM PART NO. DESCRIPTION</i>	<i>QTY</i>	<i>ITEM PART NO. DESCRIPTION</i>	<i>QTY</i>
NS 3371953 Sheating, Composite .060 x 108" W	AR	ALSO APPLIES TO THE FOLLOWING ASSEMBLIES:	
NS 8971257 Tape, 3M 4412N 3" x 15Yds Extreme	AR	0418314	
NS 0970161 Panel, AZDEL 36" x 96" RVX WA/BB	AR	0418373	
NS 4342879 Steel, Coil .021 x 36.0 Painted	AR	0420039	
NS 7970091 Adhesive, Spray Multi Purpose	AR	0420543	
		0420544	
		0420545	
		0420050	
		0420546	



R/H FIBERGLASS ENTRYWAY
CH-250-800 - 0406442

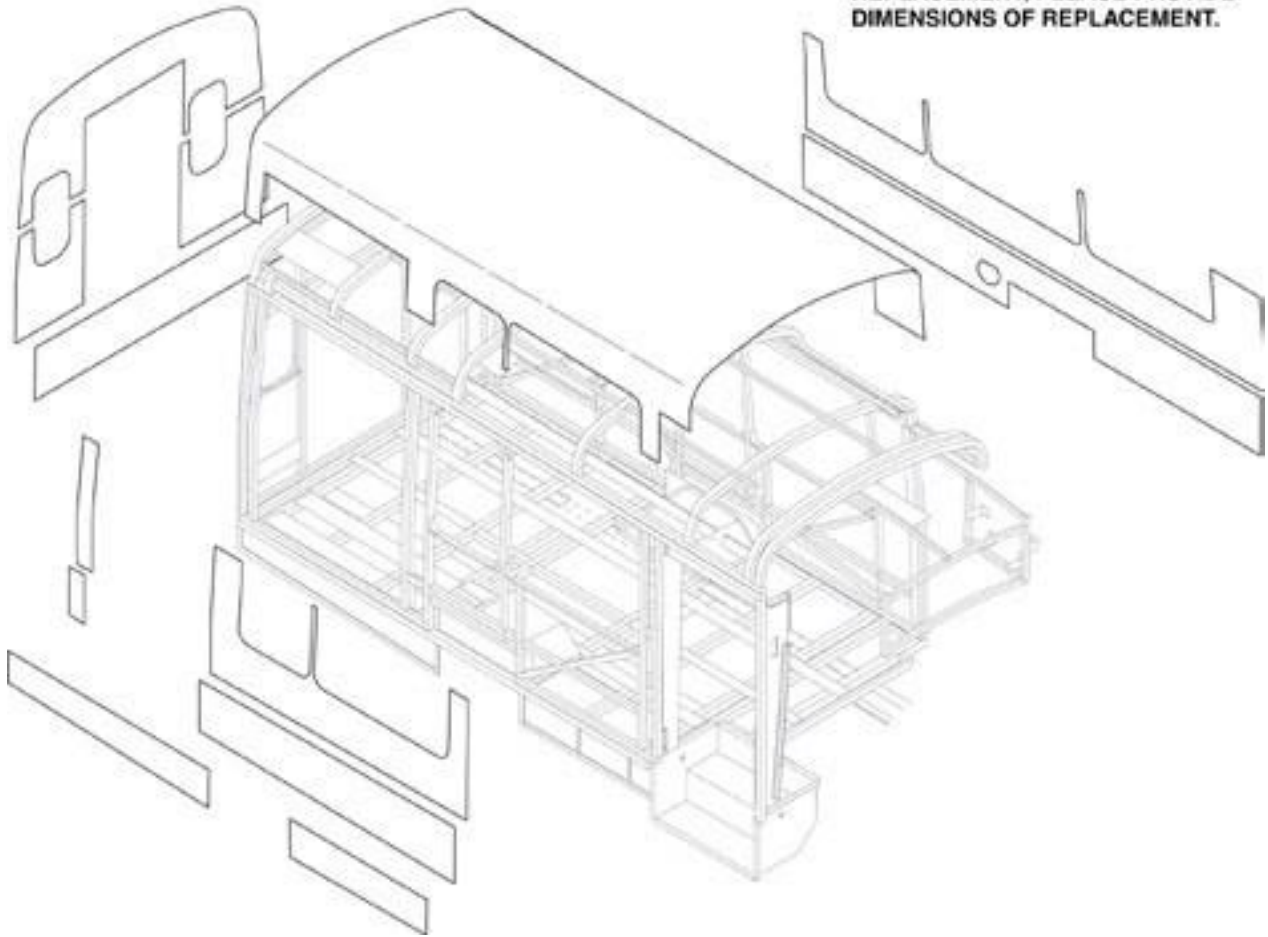
<i>ITEM</i>	<i>PART NO.</i>	<i>DESCRIPTION</i>	<i>QTY</i>	<i>ITEM</i>	<i>PART NO.</i>	<i>DESCRIPTION</i>	<i>QTY</i>
1	3371205	ENTRYWAY, RH CHALLENGER	1				
2	5970090	WINDOW, WING	1				
N/S	0371542	BRACE, CAB TO BODY	1				



**SKIRT PAN METAL
ALL ASSEMBLIES - CH/CR**

<i>ITEM PART NO. DESCRIPTION</i>	<i>QTY</i>	<i>ITEM PART NO. DESCRIPTION</i>	<i>QTY</i>
01 4342879 STEEL, COIL	AR	Included in the Following Assemblies:	
NS 0376281 HANGER, SIDE PAN 14"	AR	0408132	
NS 0376282 HANGER, SIDE PAN 10"	AR	0408133	
NS 0372771 SUPPORT, SIDE PAN 18.5"	AR	0408134	
NS 0374477 SUPPORT, SIDE PAN 27"	AR	0408135	
NS 0360446 ANGLE, 16GA GALVANIZED	AR	0408136	
		0408137	

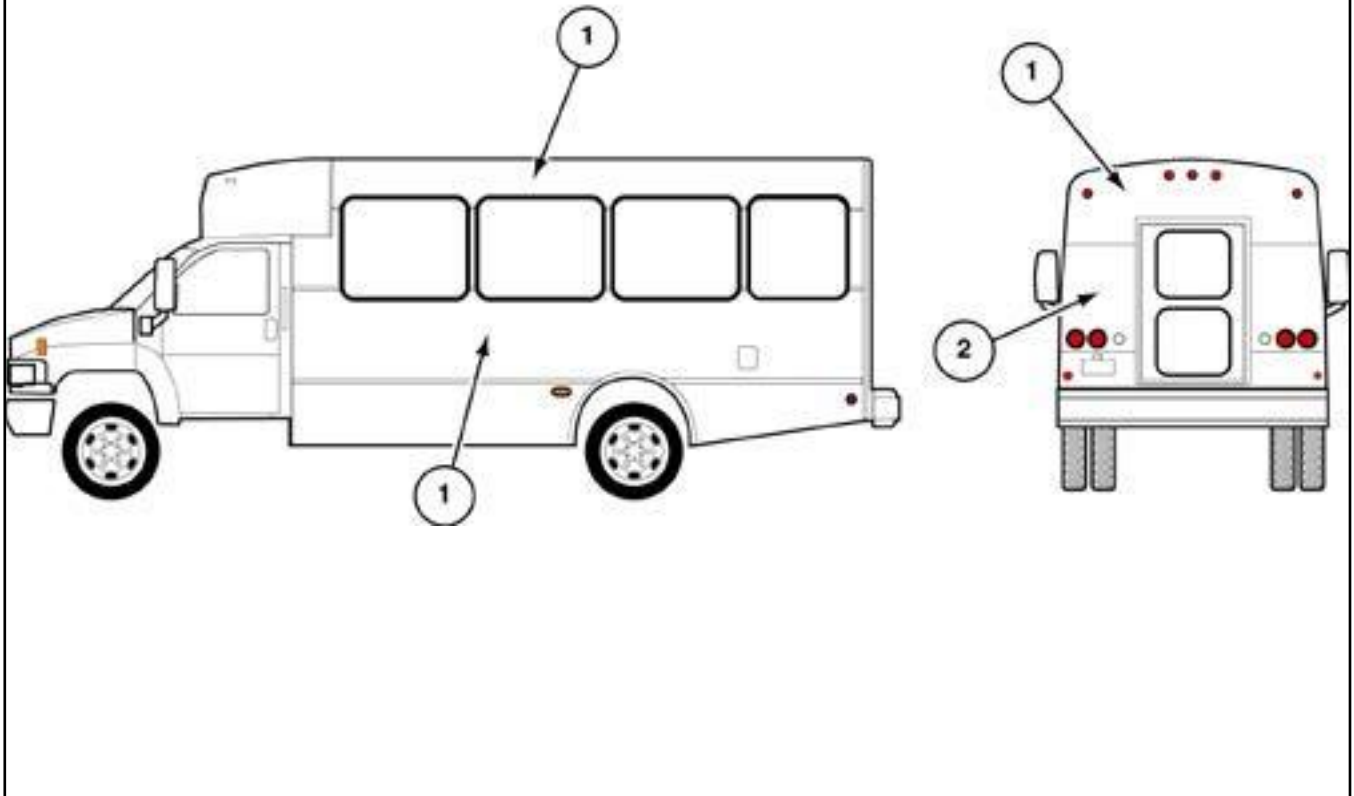
WHEN ORDERING SHEET METAL
REPLACEMENT, PLEASE PROVIDE
DIMENSIONS OF REPLACEMENT.



galvanized metal exterior 0056 / 0057 (rev-a)

ITEM	PART NO.	DESCRIPTION	QTY	ITEM	PART NO.	DESCRIPTION	QTY
00	4342879	Steel Coil .021 x 36.0 Painted	A/R	REFERS TO ALL ASSEMBLIES LISTED BELOW:			
	4370095	Steel Coil .021 x 48.0 Painted	A/R	CH-210-999-0056	DF-250-999-0057		
	0970014	Luan, Raw 3.6MM x 48 x 96	A/R	CH-230-999-0056	DF-270-999-0057		
	7970057	Adhesive, C773-40 Contact 55 Gal.	A/R	CH-250-999-0056	DF-290-999-0057		
	7970058	Adhesive, C773-40 Contact 55 Gal.	A/R	CH-270-999-0056	DF-310-999-0057		
				CH-280-999-0056	BG-340-999-0057		
				CH-290-999-0056			
				CR-000-999-0056			
				CT-300-999-0056			
				CT-330-900-0056			
				CT-300-998-0056			
				CT-380-999-0056			

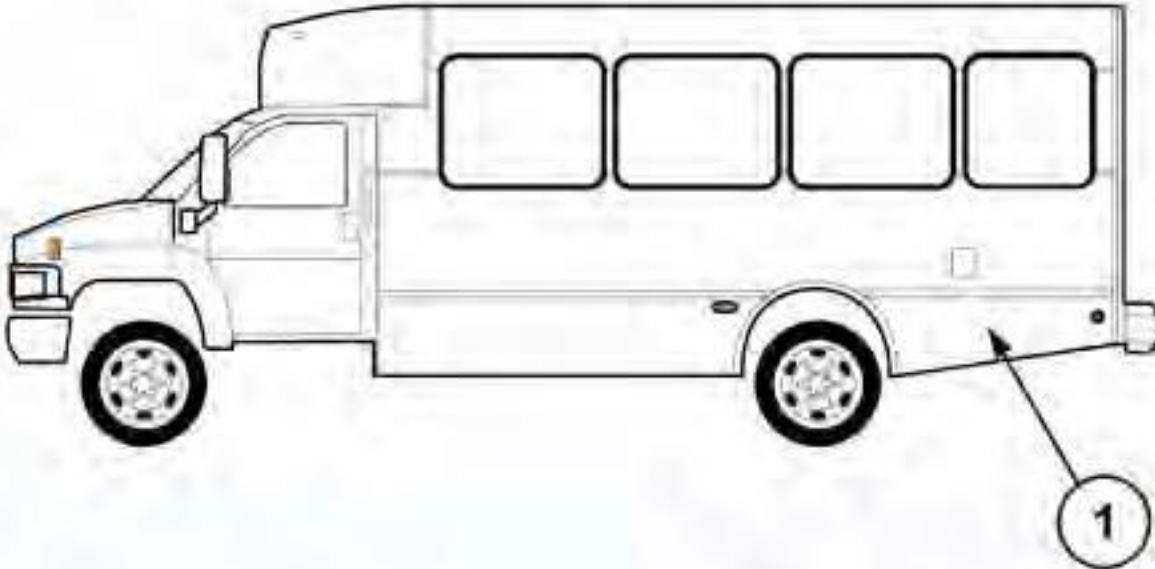
BEFORE PLACING ORDER FOR
EXTERIOR GELCOAT PANELS
YOU MUST HAVE DIMENSION
REQUIRED FOR REPAIR



ExtERior GEIcoat panEls miscEllanEous assEmbliEs (rEV-a)

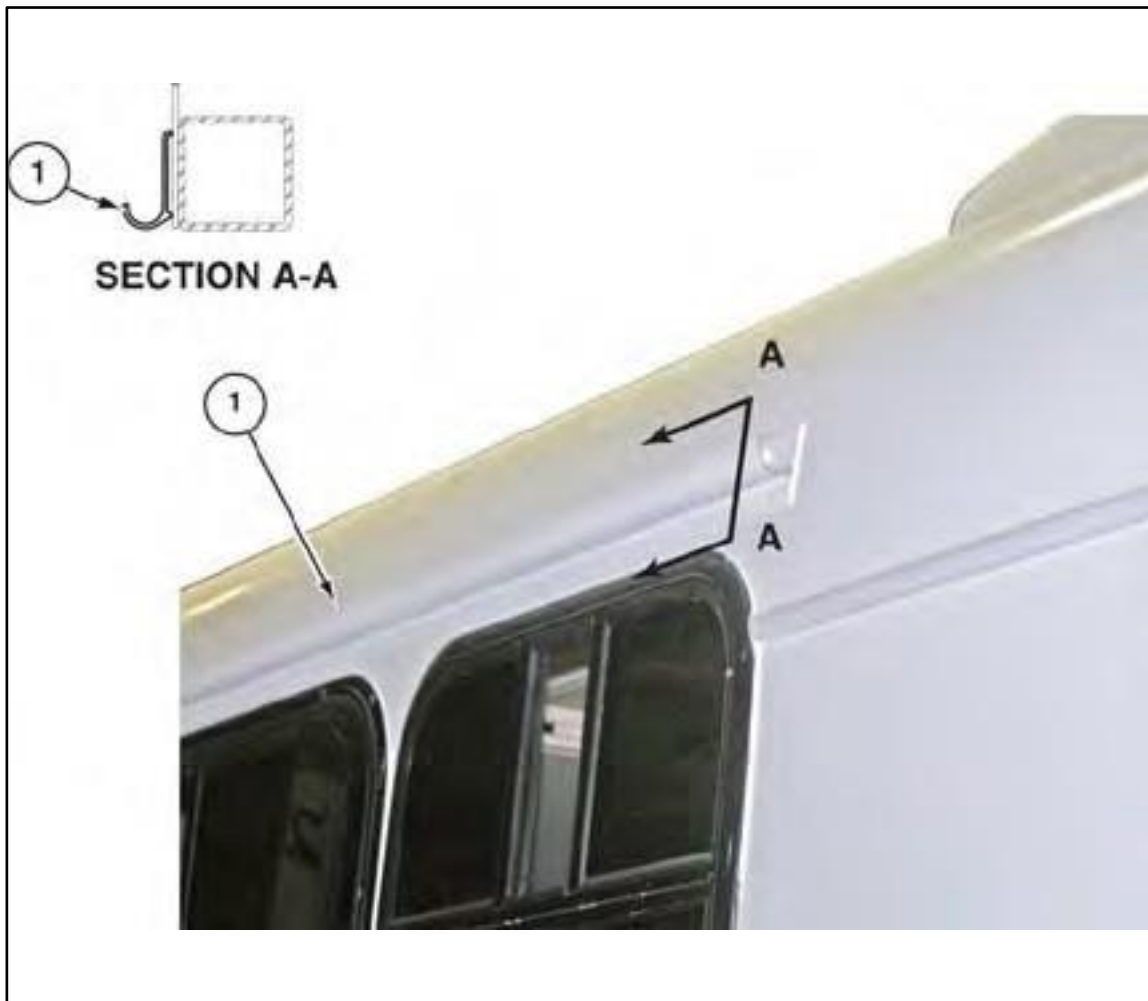
<i>ITEM PART NO. DESCRIPTION</i>	<i>QTY</i>	<i>ITEM PART NO. DESCRIPTION</i>	<i>QTY</i>
01 3371971 Panel,Noble Select 4MM x 348" x 48" AR		AS SEEN IN THE FOLLOWING ASSEMBLIES:	
02 3371971 Panel, Noble Select 4MM x 348" x 48"AR		0414608	
NS 0360446 Angle, 16GA x 1.0 x 1.5 x 96 Galv. AR		0415268	
		0417300	
		0417359	

**BEFORE PLACING ORDER FOR
EXTERIOR GELCOAT PANELS
YOU MUST HAVE DIMENSION
REQUIRED FOR REPAIR**



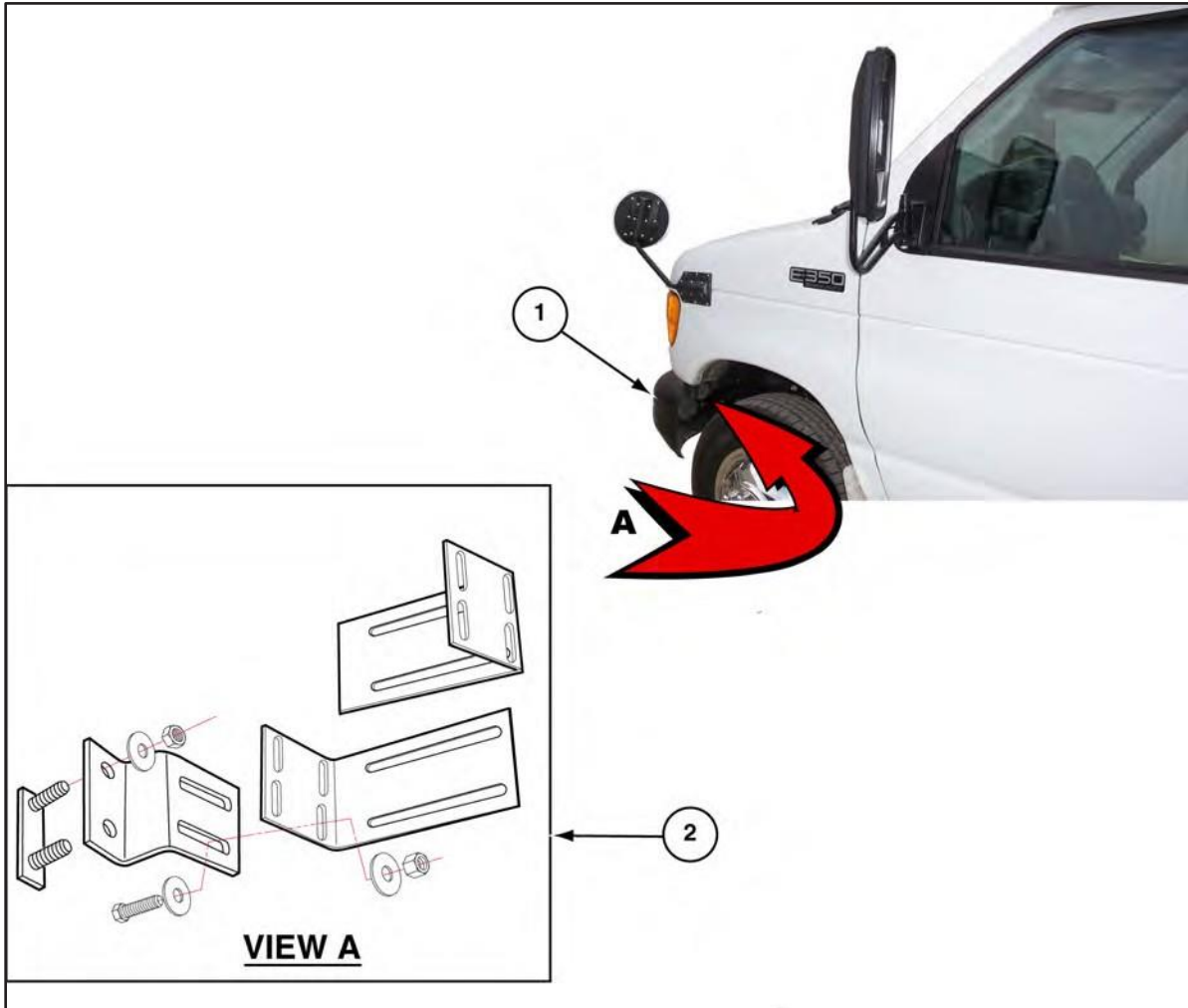
ExtErior GEIcoat SKirt panEIS (rEV-a) Fo rd/GM

<i>ITEM PART NO. DESCRIPTION</i>	<i>QTY</i>	<i>ITEM PART NO. DESCRIPTION</i>	<i>QTY</i>
01 3371971 Panel, CTEC 100 4MM x 348" x 48"	AR	Included in the Following Assemblies:	
NS 0360446 Angle, 16GA x 1.0 x 1.5 x 96 Galv	AR	0417298	
NS 0376281 Hanger, Side Pan 14 ft. (4 Degree)	AR	0417299	
NS 0376282 Hanger, Side Pan 10 ft. (4 Degree)	AR	0417300	
NS 0372771 Support, Side Pan 18.5"	AR	0417301	
NS 4541124P Edge, Roof Polar White	AR	0417302	
NS 0374477 Support, Side Pan 27" All Floorts	AR	0417303	
NS 3371988 Trim, "H" .188 Thick Panel	AR	0417359	
NS 0376280 Hanger, Side Pan 16.88 Galv 14 GA ART	ART		



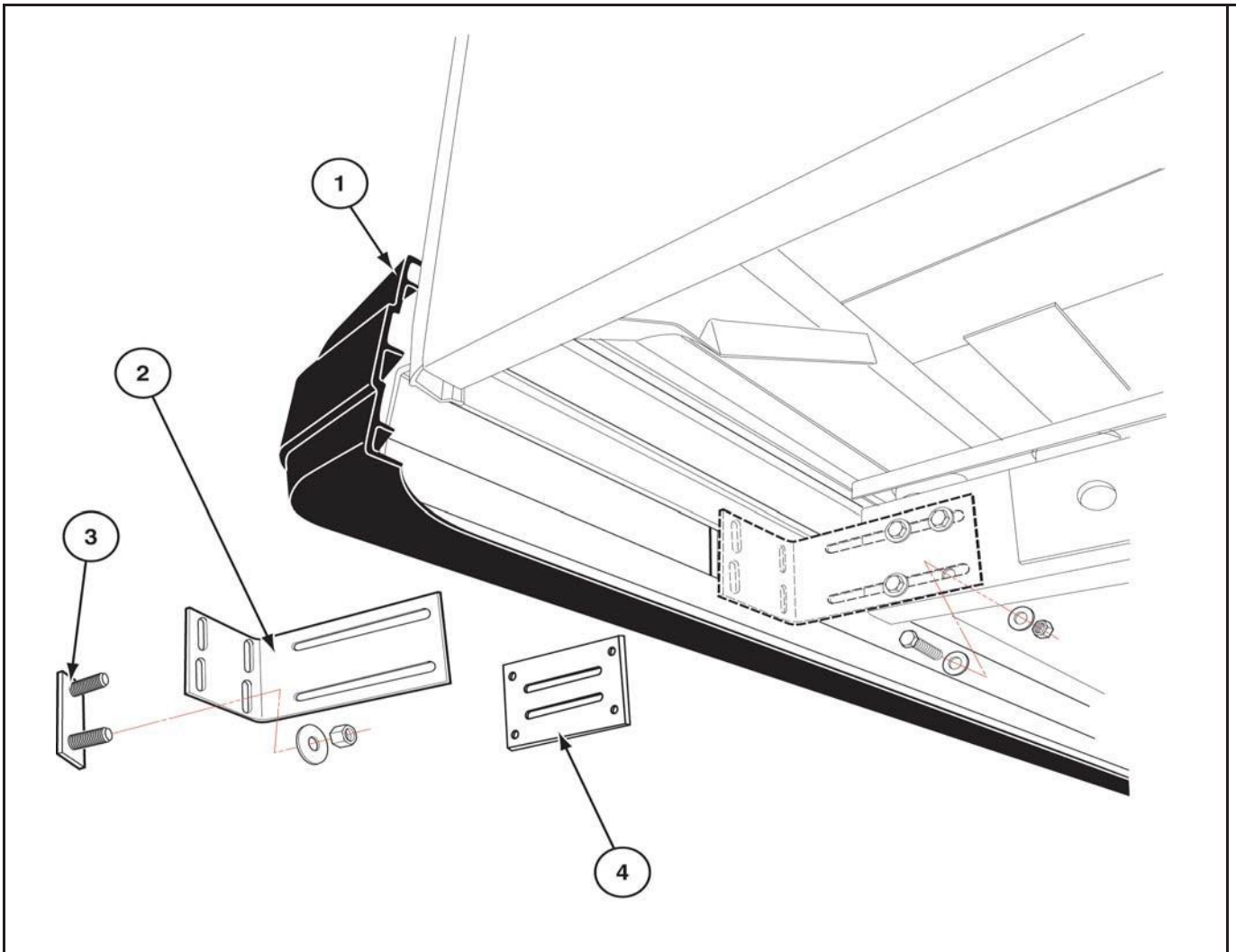
Drip moldings over windows 53250 Assemblies

<i>ITEM PART NO. DESCRIPTION</i>	<i>QTY</i>	<i>ITEM PART NO. DESCRIPTION</i>	<i>QTY</i>
01 0378099 RAIL, DRIP 1.25 x 24' WHITE	A/R	ALSO INCLUDES THE FOLLOWING ASSEMBLIES:	
N/S 8970397 SEAL, COMPRI 1/8" x 3/4" x 50'	A/R	CH2 00053250	
		DF2700053250	
		DF2900053250	
		DF3100053250	
		DF3800053250	



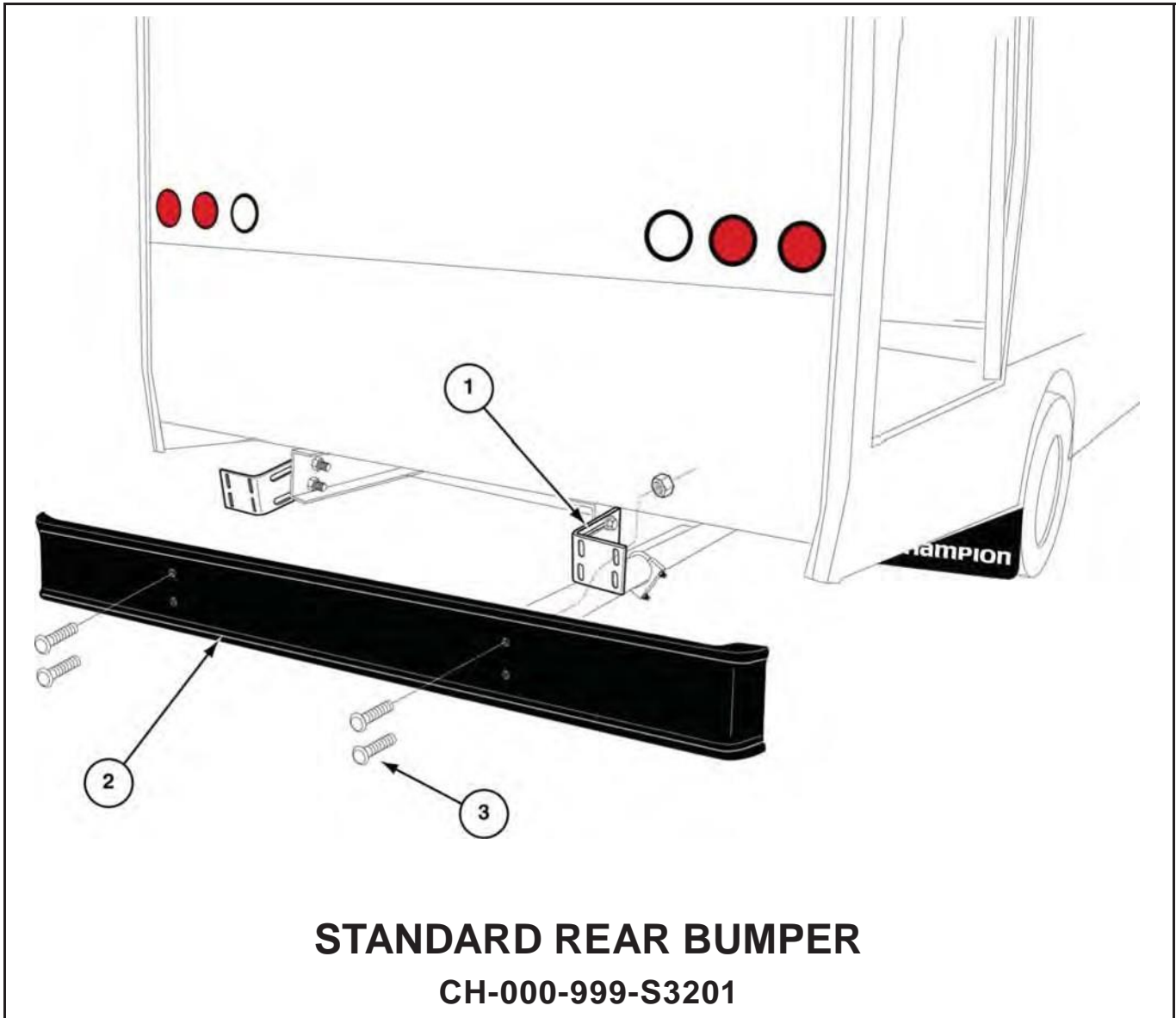
ROMEO RIM FRONT BUMPER (FORD) 50210

<i>ITEM PART NO. DESCRIPTION</i>	<i>QTY</i>	<i>ITEM PART NO. DESCRIPTION</i>	<i>QTY</i>
1 0171045 BUMPER, ROMEO RIM FRONT '08 FRD	1		
2 0171046 BRACKET, ROMEO RIM FRNT '08 FRD	1		



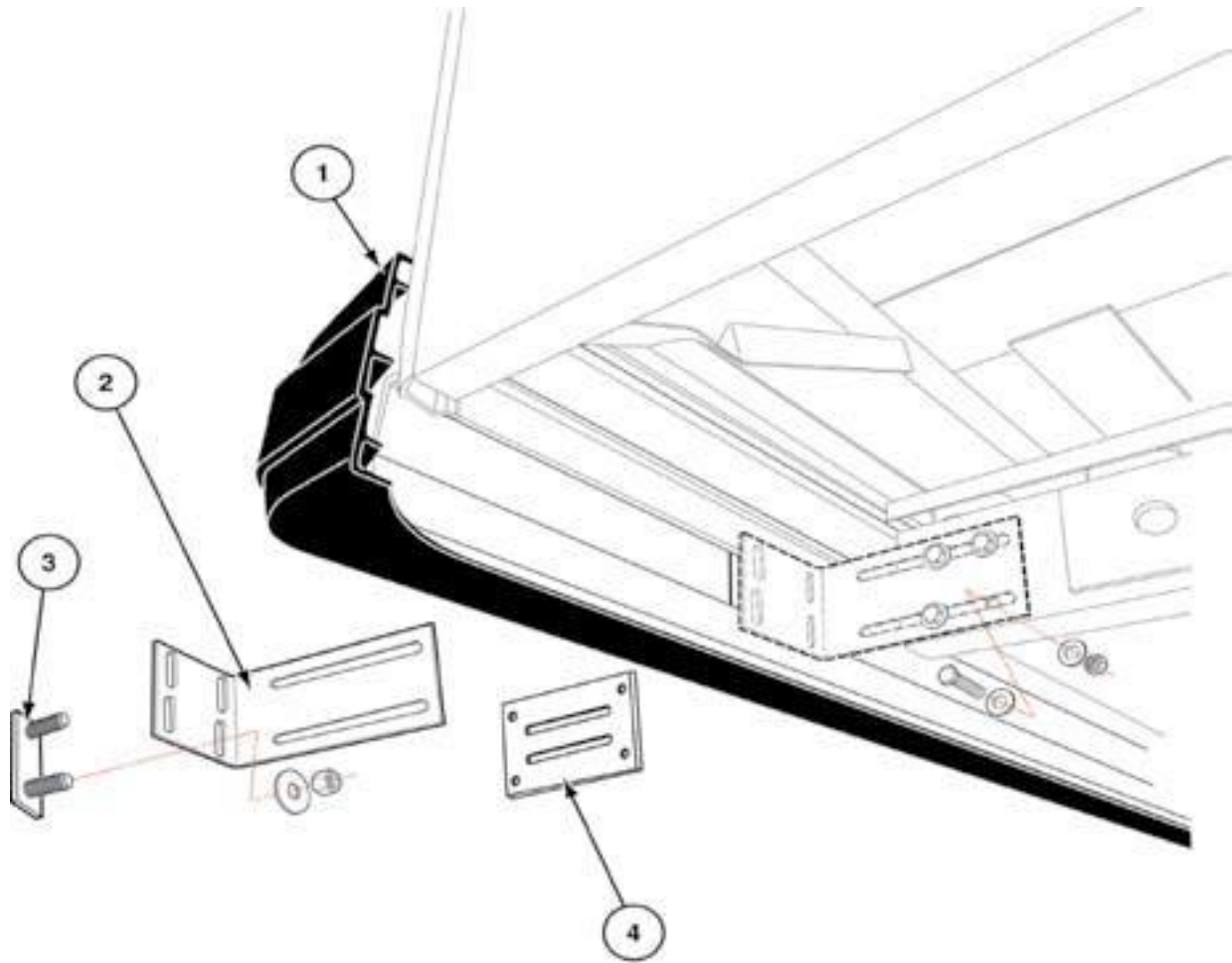
ROMEO RIM REAR BUMPER
CH-000-900-0210

<i>ITEM</i>	<i>PART NO.</i>	<i>DESCRIPTION</i>	<i>QTY</i>	<i>ITEM</i>	<i>PART NO.</i>	<i>DESCRIPTION</i>	<i>QTY</i>
1	0170992	BUMPER, ROMEO RIM REAR	1				
2	0375348	BRACKET, BUMPER	2				
3	0356121	BRACKET, MOUNTING BOLT	4				
4	NOT USED						



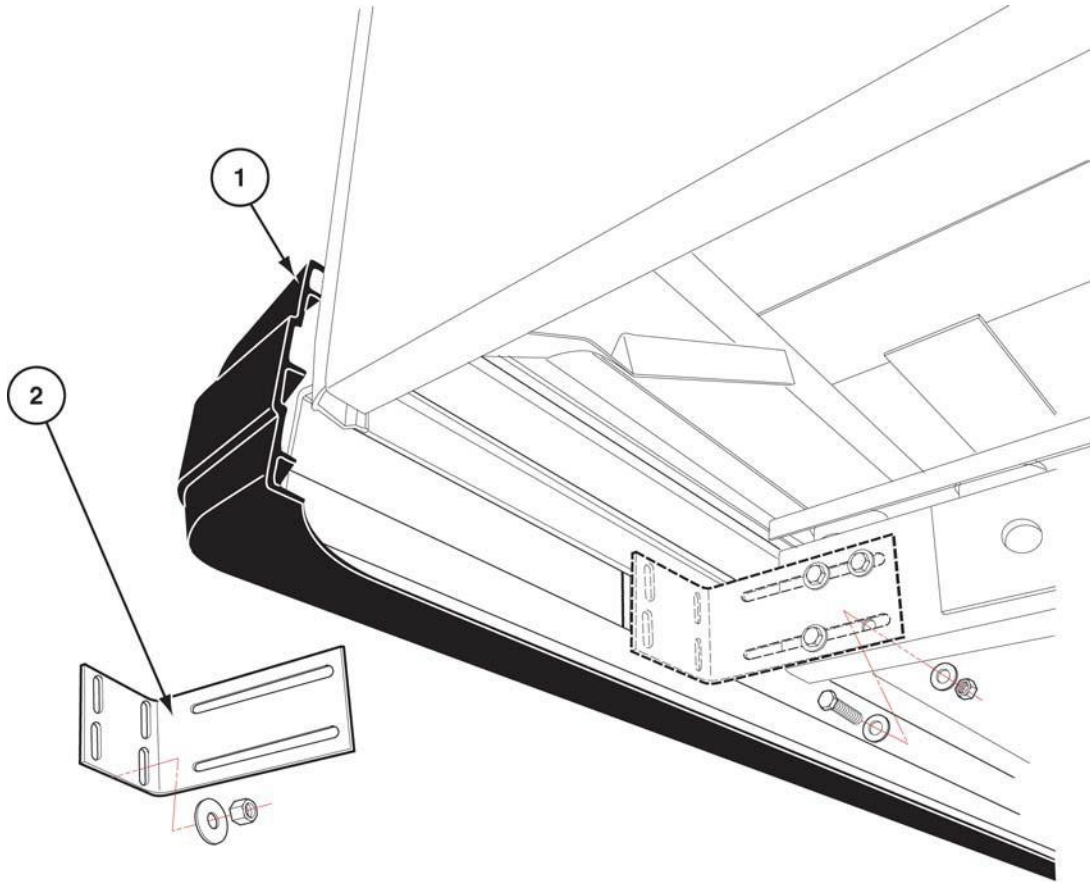
STANDARD REAR BUMPER
CH-000-999-S3201

<i>ITEM</i>	<i>PART NO.</i>	<i>DESCRIPTION</i>	<i>QTY</i>	<i>ITEM</i>	<i>PART NO.</i>	<i>DESCRIPTION</i>	<i>QTY</i>
1	0374478	BRACKET, MOUNTING REAR BUMPER	2				
2	0375852	BUMPER, REAR 9 x 95.0 10GA BLACK	1				
03	8540403	BOLT, BUMPER 1/2 x 1-1/2" S/S	4				
N/S	0375652	BRACKET, REAR BUMPER ADAPTER ADJUSTABLE	2				



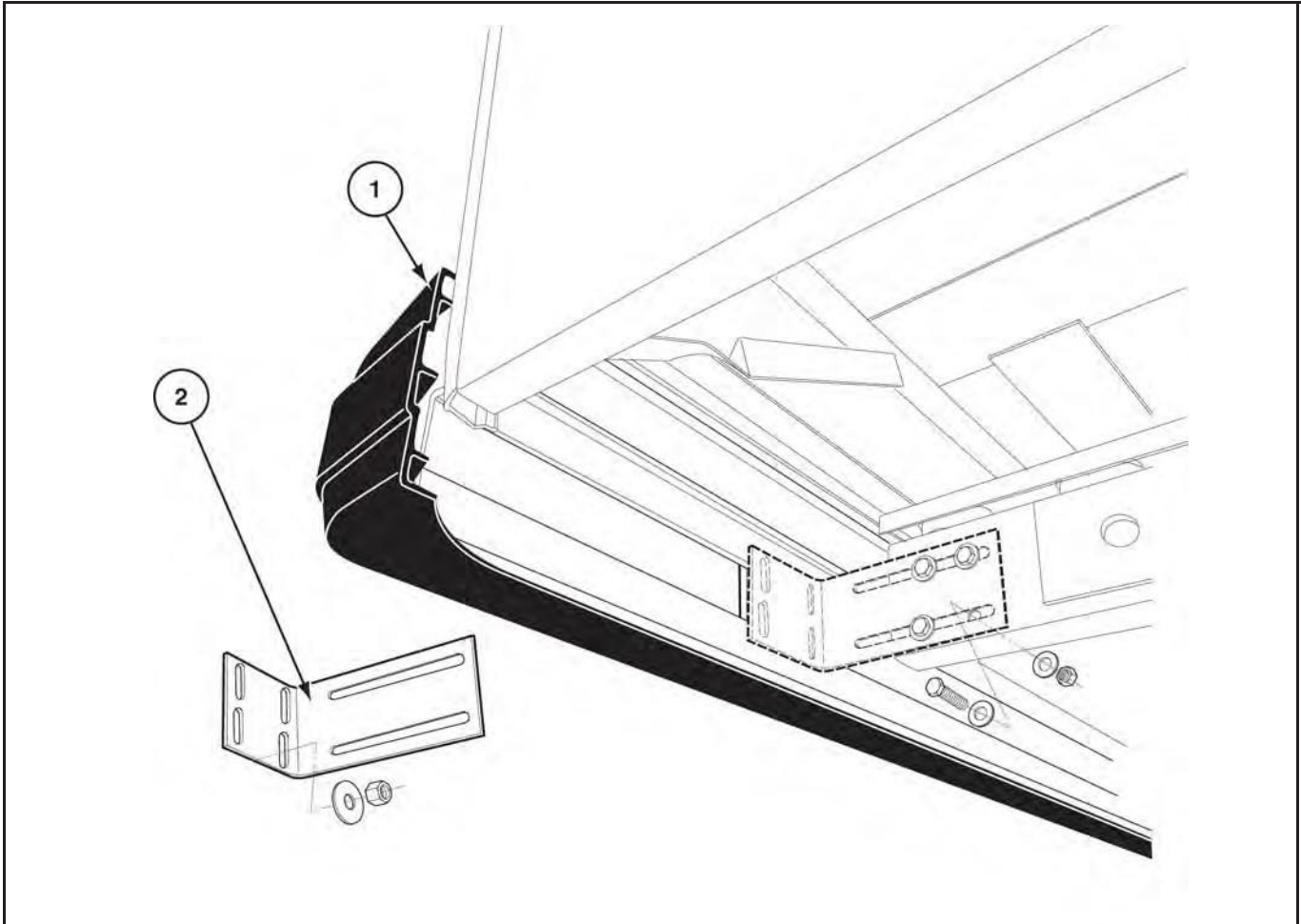
rear transpec BUMper W/HaWKeYe - 97"
0420562

<i>ITEM</i>	<i>PART NO.</i>	<i>DESCRIPTION</i>	<i>QTY</i>	<i>ITEM</i>	<i>PART NO.</i>	<i>DESCRIPTION</i>	<i>QTY</i>
1	0171215	Bumper, Rear Transpec W/Hawkeye 97"	1				
2	0375348	Bracket, Bumper Mount (FRD-GM)	2				
3	0375652	Bracket, Rear Bumper Adapter Adjustment	2				
4	0377851	Plate, Mount Rear Bumper (PART A)	2				
NS	4342879	Steel, Coil .021 x 36.0 Painted	2				



REAR BUMPER 0411062

<i>ITEM PART NO. DESCRIPTION</i>	<i>QTY</i>	<i>ITEM PART NO. DESCRIPTION</i>	<i>QTY</i>
1 0170942 BUMPER, REAR (TRANSPEC - 97")	1		
2 0375348 BRACKET, BUMPER MOUNTING	2		



REAR BUMPER 0411062

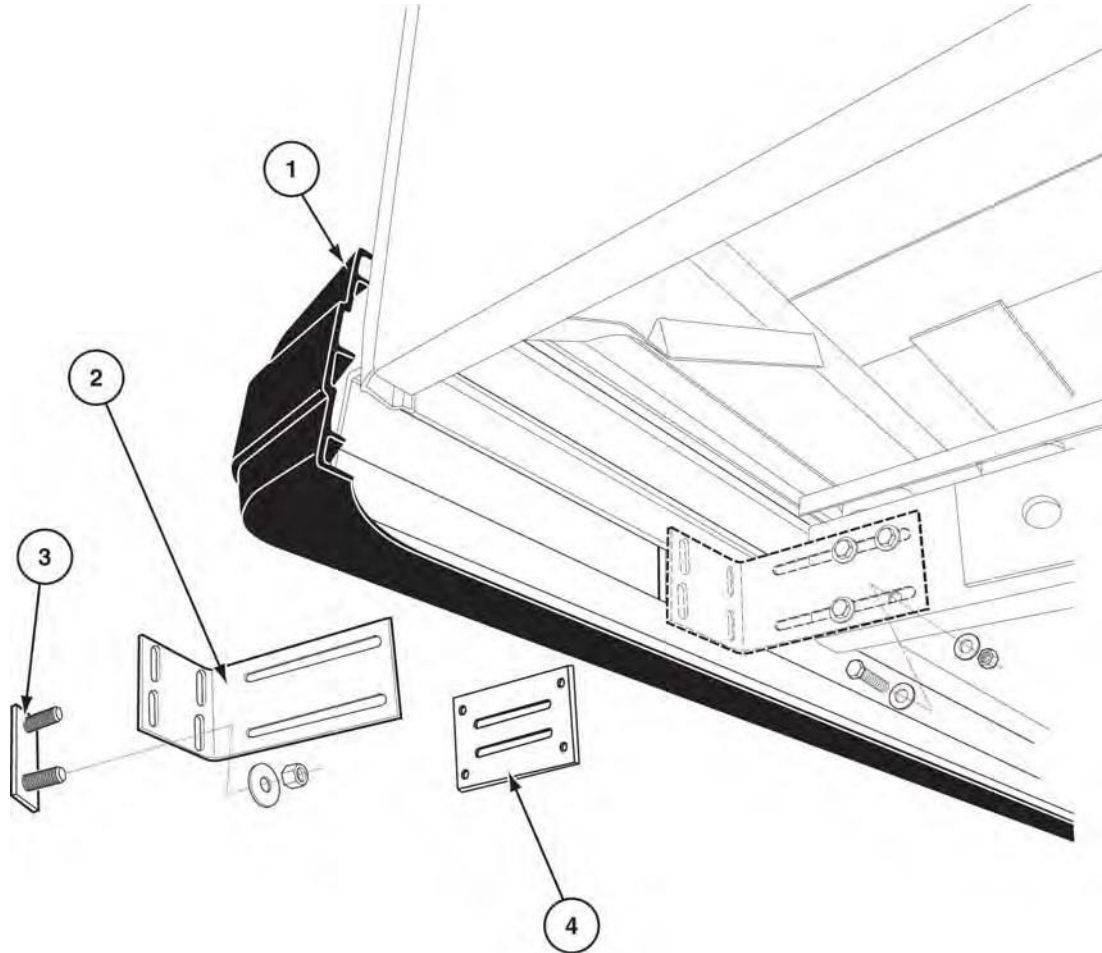
<i>ITEM PART NO. DESCRIPTION</i>	<i>QTY</i>	<i>ITEM PART NO. DESCRIPTION</i>	<i>QTY</i>
1 0170942 BUMPER, REAR (TRANSPEC - 97")	1		
2 0375348 BRACKET, BUMPER MOUNTING	2		



Romeo Rim Rear step bumper - 94" 0420703

<u>ITEM</u>	<u>PART NO.</u>	<u>DESCRIPTION</u>	<u>QTY</u>	<u>ITEM</u>	<u>PART NO.</u>	<u>DESCRIPTION</u>	<u>QTY</u>
01	0171218	Bumper, Romeo Rim Rear Step 94"	1				
NS	0356121	Bracket, Mounting Bolt 1½ x 4½	4				
NS	0375348	Bracket, Bumper	2				
NS	0380117	Hanger, Exhaust 7.5" Extension	1				

NOTE: *Picture may not represent actual bumper. Will be updated when pictures are available.*



ROMEO RIM BUMPER W/HAWKEYE DETECTOR

0414338

<i>ITEM PART NO. DESCRIPTION</i>	<i>QTY</i>	<i>ITEM PART NO. DESCRIPTION</i>	<i>QTY</i>
1 0170989 BUMPER, ROMEO RIM W/HAWKEYE DETECTOR	1		
2 0375348 BRACKET, BUMPER MOUNTING	2		
3 0377948 PLATE, REAR BUMPER MOUNTING (PART-B)	4		
4 0377851 PLATE, REAR BUMPER MOUNTING (PART-A)	2		



40" RUNNING BOARD

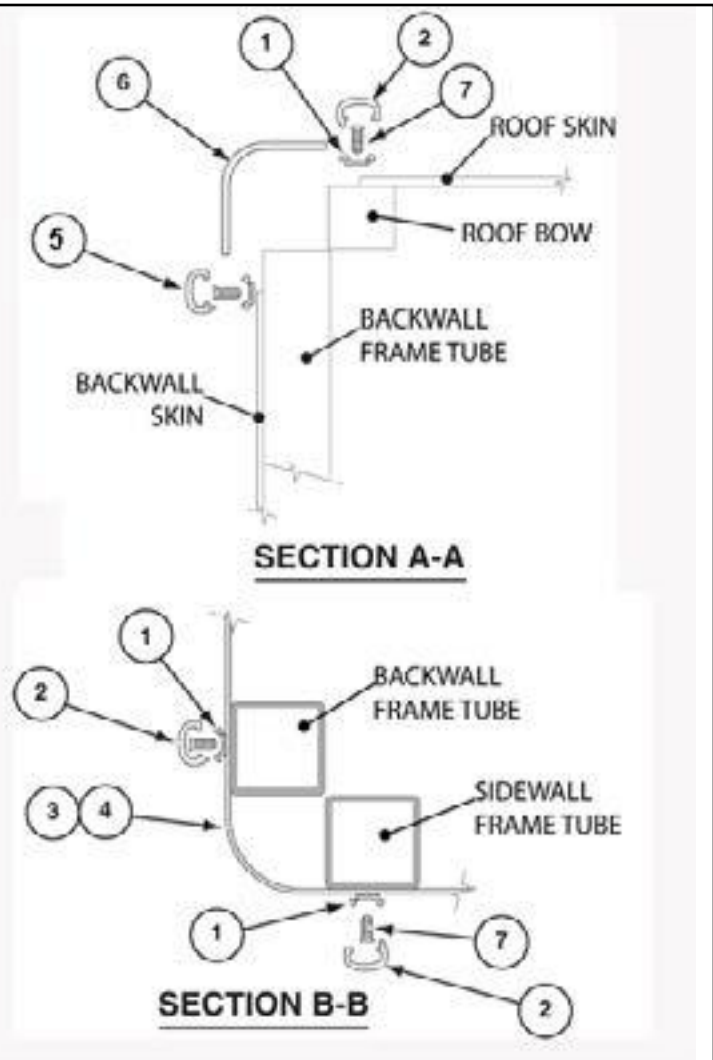
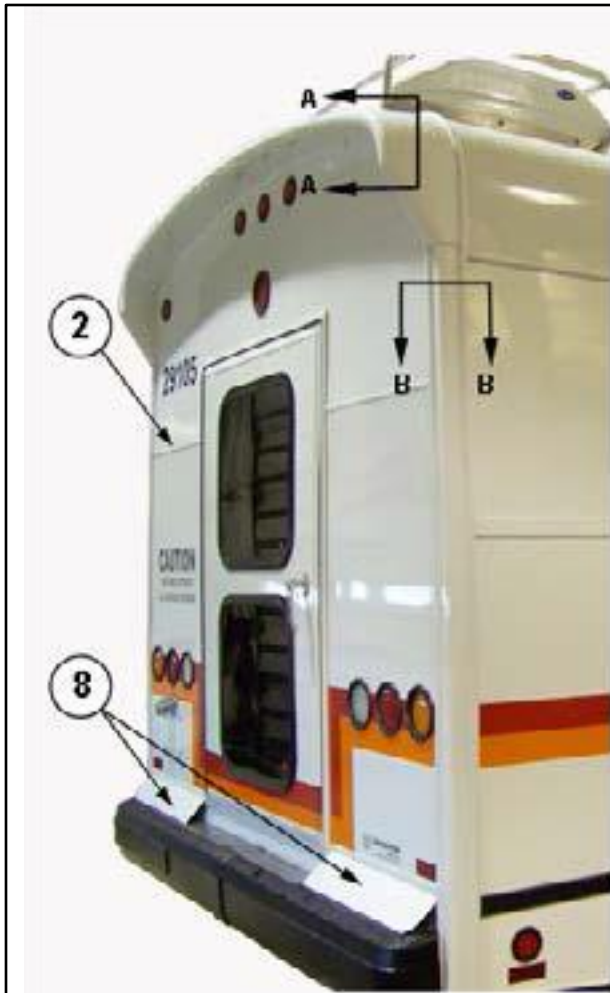
CH-000-900-1828 / CX000FF11828

<i>ITEM</i>	<i>PARTNO.</i>	<i>DESCRIPTION</i>	<i>QTY</i>	<i>ITEM</i>	<i>PARTNO.</i>	<i>DESCRIPTION</i>	<i>QTY</i>
1	0364695	BOARD,RUNNNGR/S 12" KIT	1				
2	0377448	MUDFLAP,FRONT	1				
N/S	0377682	BRACKET,SUPPORT RUNNINGBOARD	2				



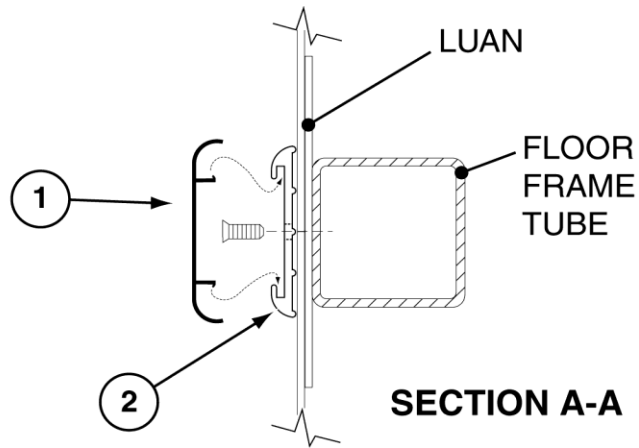
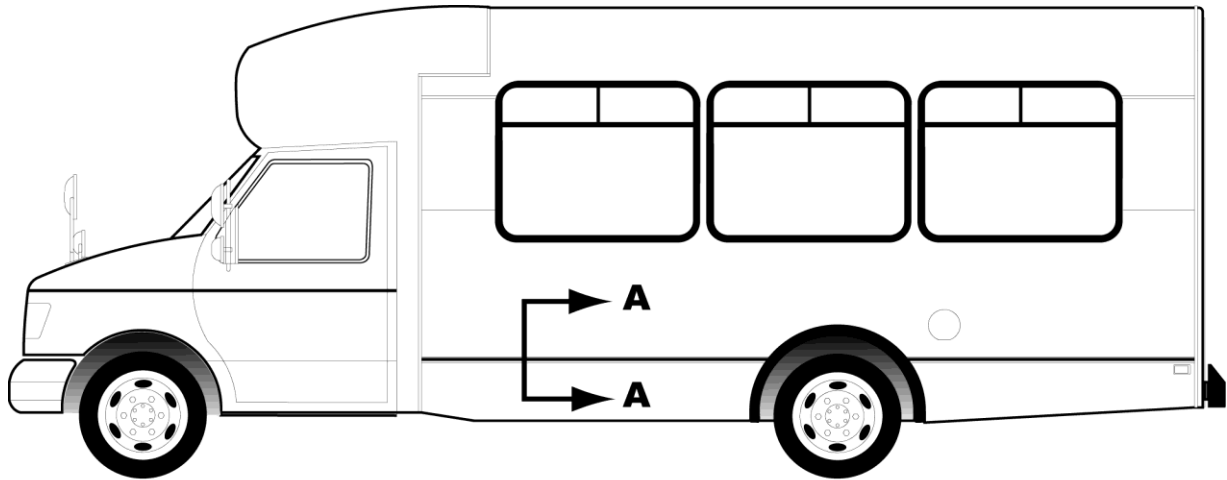
R/S a luminum Running boarD 11828 - FoRd CHaSSiS

<i>ITEM PART NO. DESCRIPTION</i>	<i>QTY</i>	<i>ITEM PART NO. DESCRIPTION</i>	<i>QTY</i>
01 0404031 Install, Running Board CH-R Assy	1	INCLUDES THE FOLLOWING ASSY NUMBERS:	
0377848 Board, Running Aluminum - Ford	1	CX000FF11828	CH-000-900-1828
0379203 Bracket, Part A 6" Running Board	1	CX000FN11828	
4970671 Bumper, Rubber 80 Durometer 1.25 x 1 1	1	CX000FP11828	
4970694 Bumper, Door Stopper Rubber 2.25" BL	1	CX000FU11828	
8570384 Bolt, Hex 1/4-20 x 1" S/S	4	CX000FY11828	
8570194 Nut, Hex 1/4-20 GR8 Nyloc	4	CX000FL11828	



REAR FIBERGLASS TRIM PANELS w/Ext REAR CAP ch-000-999-3090

ITEM	PART NO.	DESCRIPTION	QTY	ITEM	PART NO.	DESCRIPTION	QTY
1	4570101	TRACK, RVL ALUMINUM TRIM 2 (12') T6	4				
2	3342037F	COVER, RVL .13 Leg Frost White	A/R				
3	3371203	TRIM, EXTERIOR Corner Fiberglass 4° C/S	1				
4	3371204	TRIM, EXTERIOR Corner Fiberglass 4° R/S	1				
5	4540266	TRACK, RVL ALUMINUM TRIM 2 (12') T4	1				
6	3372340	Extension, Rear Roof 151" TPO	1				
07	8570931	SCREW (8 x 1)	120				
08	4342879	DUST SHIELD, STEEL COIL PAINTED	2				
N/S	8570753	SCREW (10 x 1) PAN PHIL S/S BLACK	2				



RUB RAIL

0411274 (23' oR Less)

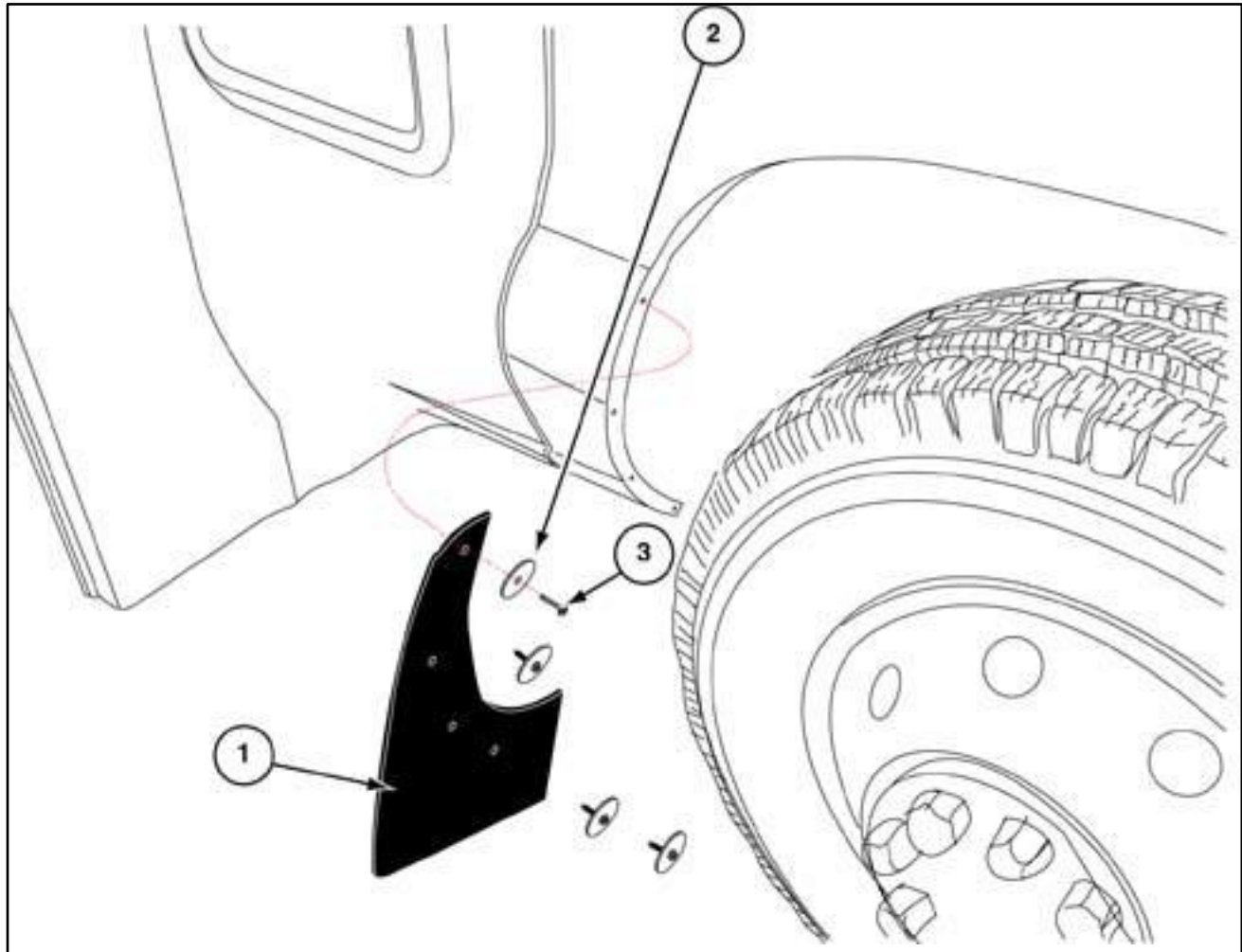
0411275 (25' oR gReAtER)

<i>ITEM</i>	<i>PART NO.</i>	<i>DESCRIPTION</i>	<i>QTY</i>	<i>ITEM</i>	<i>PART NO.</i>	<i>DESCRIPTION</i>	<i>QTY</i>
01	4570148	CAP, RUB RAIL 2" x 16' T-5	AR				
02	4570147	RAIL, RUB 2" WIDE x 16' WHITE T-5	AR				



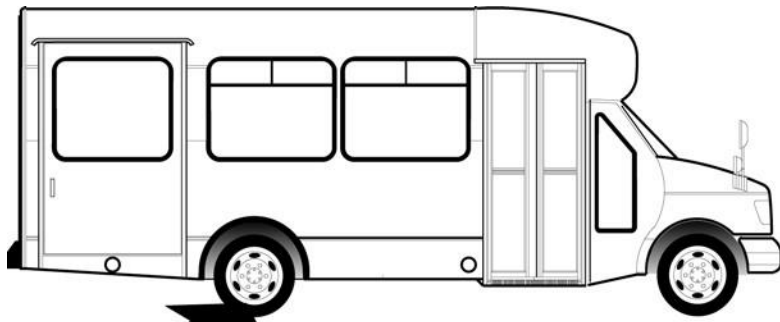
INSTALL MUD FLAP 0408366

<i>ITEM PARTNO. DESCRIPTION</i>	<i>QTY</i>	<i>ITEM PARTNO. DESCRIPTION</i>	<i>QTY</i>
01 0541037 FLAP,MUD(18x24BLACKw/LOGO)	2		

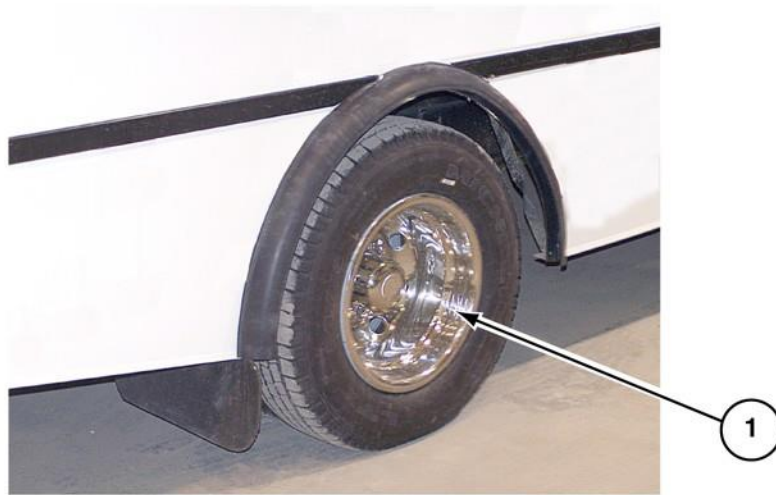


FRONT MUD FLAPS CH/CR 10605/ -0605

<i>ITEM PART NO. DESCRIPTION</i>	<i>QTY</i>	<i>ITEM PART NO. DESCRIPTION</i>	<i>QTY</i>
01 0580027 Flap, Mud Front	2	REFERS TO ALL ASSEMBLIES LISTED BELOW:	
02 8540940 Washer, Flat 3/16 USS	10	CX000FN10605	0403561
03 8570936 Screw, 8 x 1 Pan Quad T2 Cad Blk	10	CX000FF10605	
NS 8570910 Washer, Shim 3/16"	10	CX000FP10605	
		CX000FL10605	
		CX000FU10605	
		CX000FY10605	
		CX000GA10605	
		CX000GB10605	
		CH-000-900-0605	
		CT-000-900-0605	



A



VIEW A

**INSTALL STAINLESS STEEL WHEEL INSERTS
CH-000-990-2212**

<i>ITEM</i>	<i>PARTNO.</i>	<i>DESCRIPTION</i>	<i>QTY</i>	<i>ITEM</i>	<i>PARTNO.</i>	<i>DESCRIPTION</i>	<i>QTY</i>
01	05402292	INSERT, 16" FORD 1604FOL8 (SET OF 4)	1				

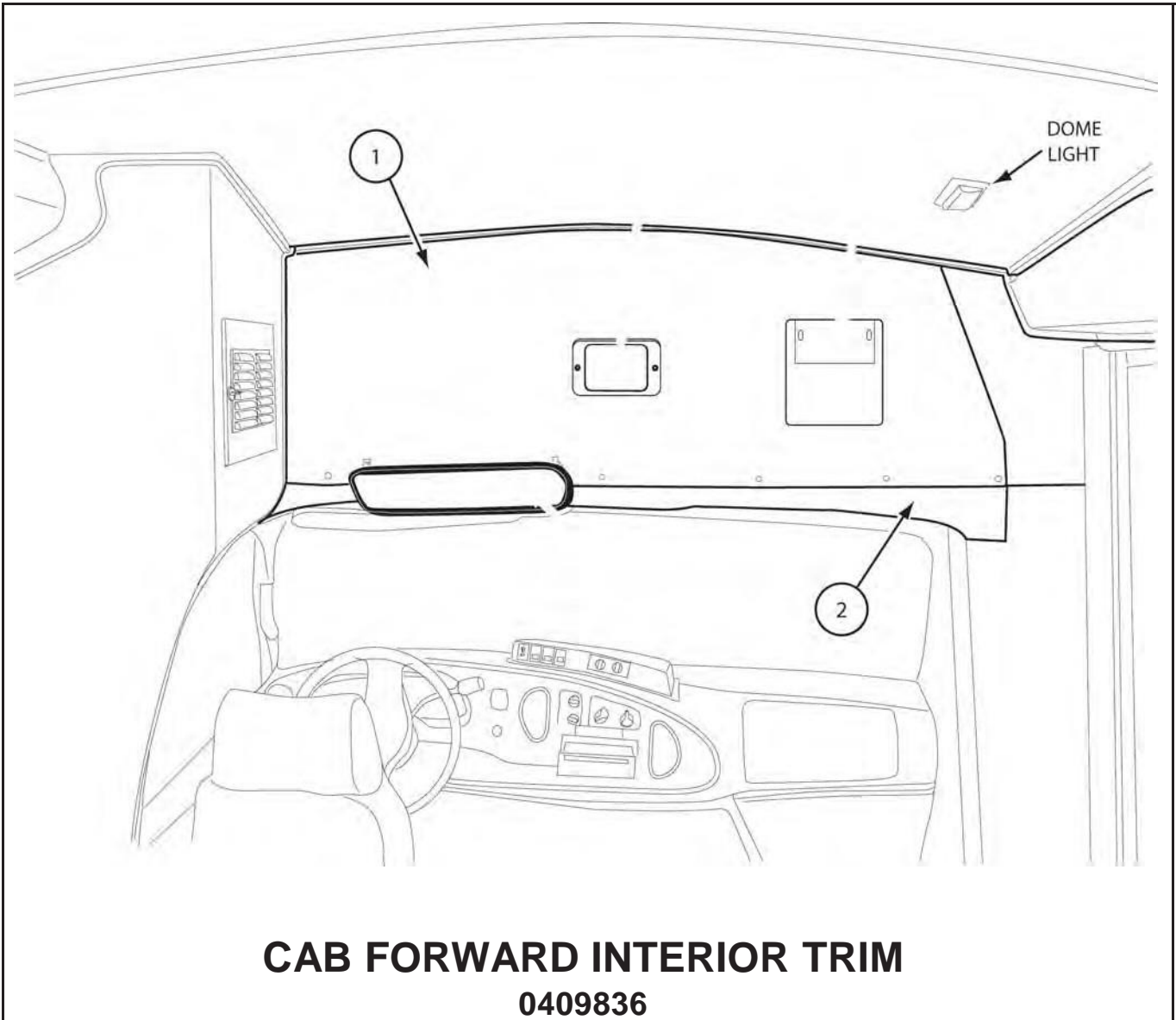


**CHAMPION
BUS, INC.**

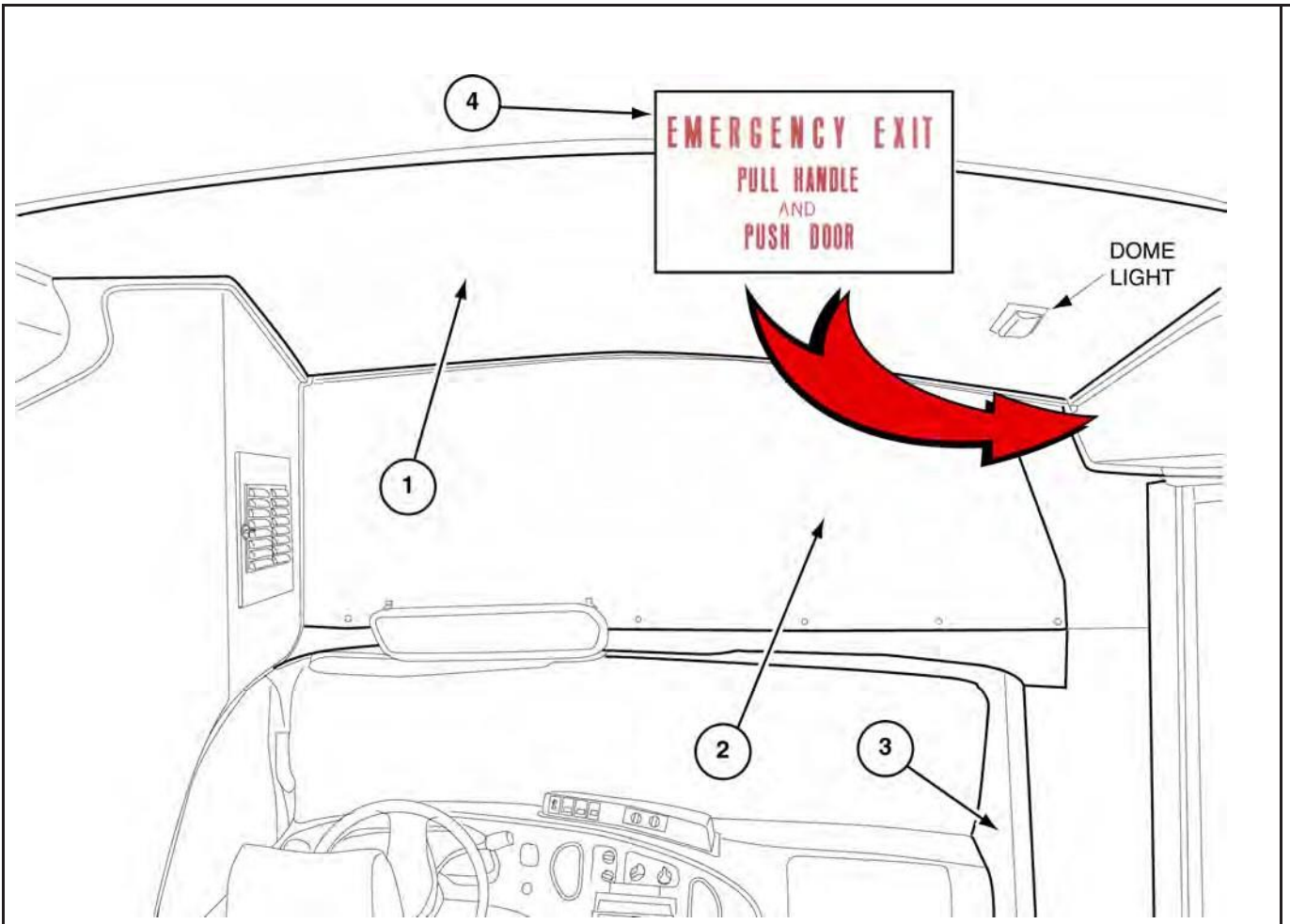
Wholly owned subsidiary of Thor Industries, Inc.

SECTION 3:

INTERIOR TRIM



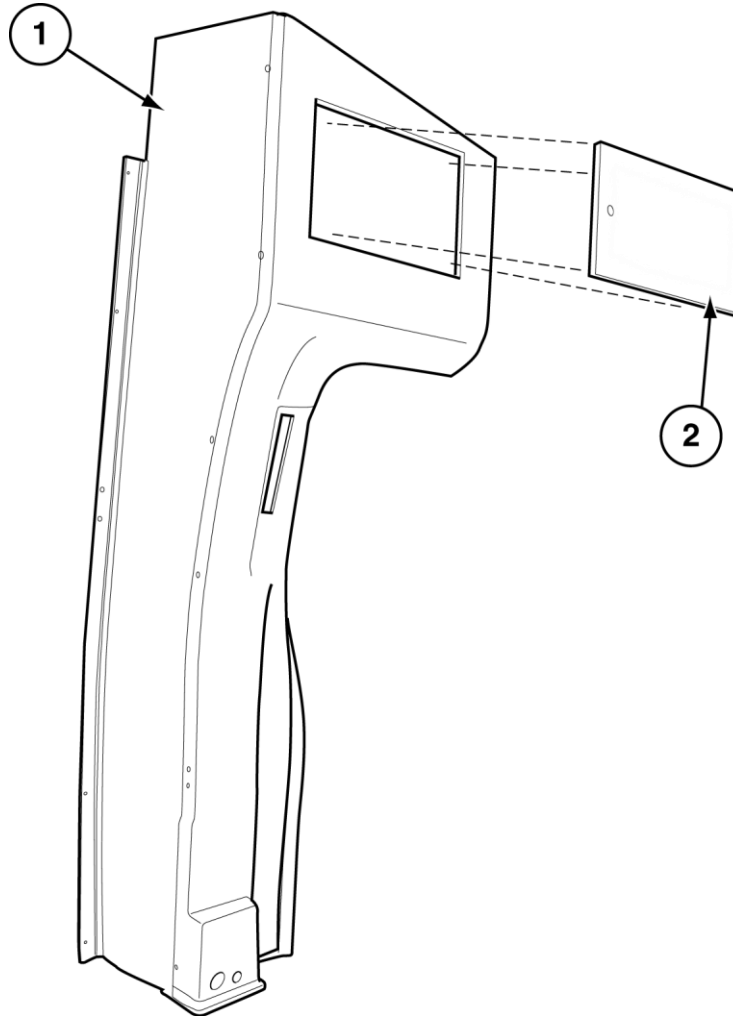
<i>ITEM PART NO.</i>	<i>DESCRIPTION</i>	<i>QTY</i>	<i>ITEM PART NO.</i>	<i>DESCRIPTION</i>	<i>QTY</i>
1	3371243 CAP, FRONT END	1			
2	3370905 CAP, WINDSHIELD	1			
N/S	3350543 TRIM, BUS CORNER	3			



CAB FORWARD INTERIOR TRIM

Ch-250-800 - 0409832

ITEM	PART NO.	DESCRIPTION	QTY	ITEM	PART NO.	DESCRIPTION	QTY
1	3370905	HEADLINER, CAB FORWARD	1				
2	3371243	CAP, FRONT END (ABS)	1				
3	3371548	COVER, C/S WINDSHIELD PILLAR	1				



L/H DOOR POST TRIM PANEL
cH-231-005 / cH-210-800

<i>ITEM PART NO. DESCRIPTION</i>	<i>QTY</i>	<i>ITEM PART NO. DESCRIPTION</i>	<i>QTY</i>
1 3371222 TRIM PANEL, LH DOOR POST	1		
2 3371928 DOOR, ELECTRICAL PANEL ACCESS	1		
N/S 4970476 HINGE, CONCEALED	1		
N/S 4941520 THUMB LOCK, COMPLETE	1		
N/S 8970545 SEAL, WEATHER	A/R		



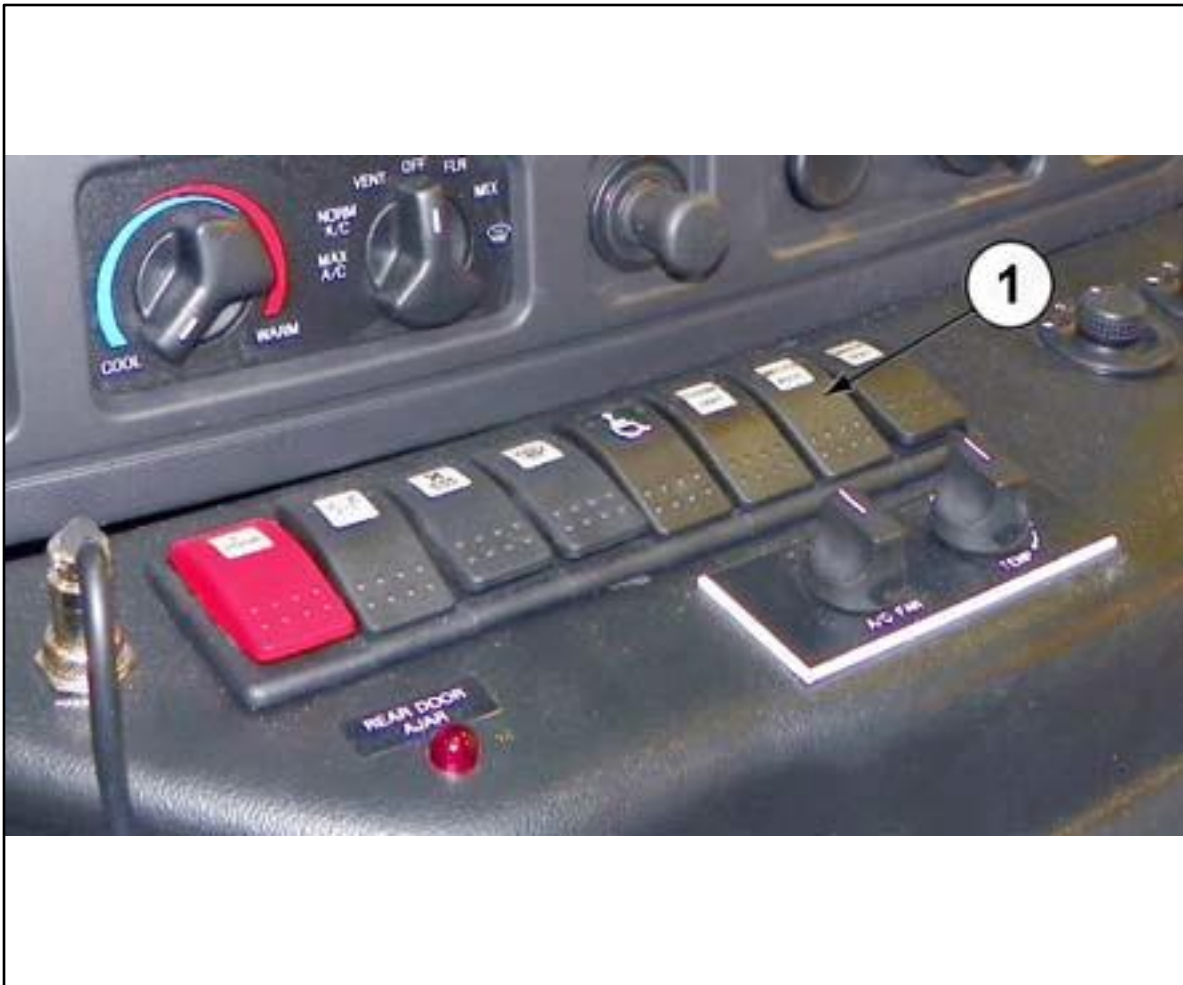
INTERIOR REAR DOOR WALL 0402728

<i>ITEM PART NO. DESCRIPTION</i>	<i>QTY</i>	<i>ITEM PART NO. DESCRIPTION</i>	<i>QTY</i>
1 3370944 TRIM, REAR DOOR RIGHT & LEFT 58"	2		
3370945 TRIM, REAR DOOR TOP	1		
2 3371674 COVER, LIFT DOOR SWITCH GRAY	1		
N/S 3971963 SWITCH, JAMB NORM CLOSED	1		



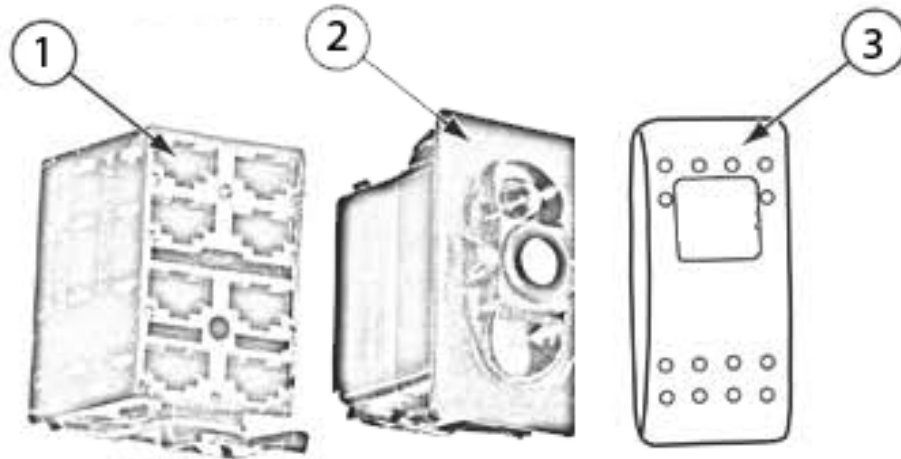
DASH MOUNTED SWITCH PANEL (FORD) 0406550 - PDOT

<i>ITEM PART NO. DESCRIPTION</i>	<i>QTY</i>	<i>ITEM PART NO. DESCRIPTION</i>	<i>QTY</i>
01 0406590 DASH MOUNTED SWITCH PANEL			
2 3973888 ACTUATOR, DRIVER'S DOME LIGHT	1		
3 3973892 ACTUATOR, INTERIOR LIGHTS	1		
4 3973895 ACTUATOR, READING LIGHTS	1		
5 3973900 ACTUATOR, COURTESY LIGHTS	1		
6 3971881 SWITCH, CARLING ON/OFF	1		
7 3973885 SWITCH, HOLDER PLUG	1		



mASTER ACCESSORY SWITCH ch-000-900-5308 / 0401982

<i>ITEM PART NO. DESCRIPTION</i>	<i>QTY</i>	<i>ITEM PART NO. DESCRIPTION</i>	<i>QTY</i>
01 3973881 Switch, Carling On/Off	1		
NS 3947066 Connector, RT 10-4848	1		
NS 3970183 Terminal, QKDisc/Fem Non-Ins 16-14	4		



Dash Switches (Carling)

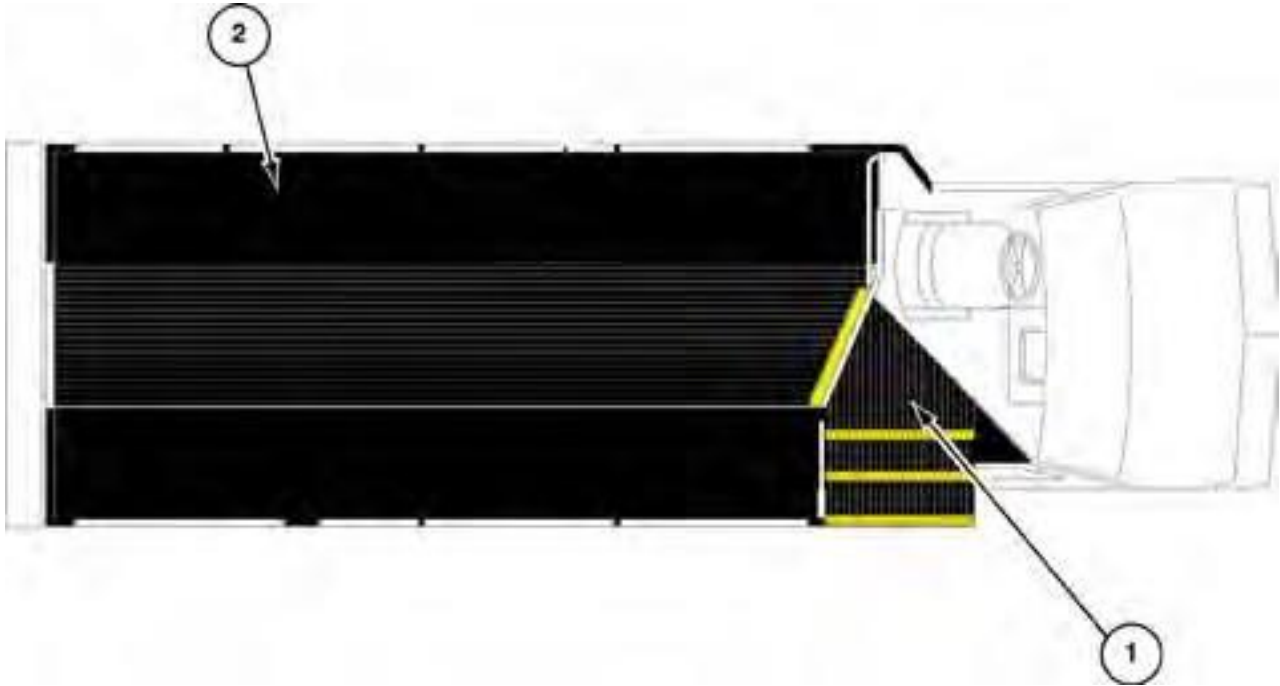
Item	Part Number	Description	QTY	Item	Part Number	Description	QTY
01	3973886	Switch, Connector Plug	A/R	3973889	ACTUATOR,REAR HEATER	A/R	
02	3973881	Switch, Carling ON/OFF	A/R	3973890	ACTUATOR,FOG LIGHT	A/R	
	3973789	Switch, Carling Momentary	A/R	3973891	ACTUATOR,LIFT MASTER	A/R	
	3973976	Switch, Carling ON/OFF/ON	A/R	3973892	ACTUATOR,INTERIOR LIGHTS	A/R	
03	3973888	Actuator, Driver's Dome	A/R	3973893	ACTUATOR,STOP REQUEST	A/R	
	3974644	ACTUATOR,LUGGAGE LOCK	A/R	3973894	ACTUATOR,DEFROST FAN	A/R	
	3974645	ACTUATOR,BATHROOM	A/R	3973895	ACTUATOR,READING LIGHTS	A/R	
	3974646	ACTUATOR,LUGGAGE LIGHT	A/R	3973896	ACTUATOR,STROBE LIGHT	A/R	
	3974647	ACTUATOR,VIDEO	A/R	3973899	ACTUATOR,FRONT DOOR	A/R	
	3974648	ACTUATOR,START	A/R	3973900	ACTUATOR,COURTESY LIGHTS	A/R	
	3974649	ACTUATOR,MASTER	A/R	3973901	ACTUATOR,BLANK	A/R	
	3974650	ACTUATOR,PRE HEAT	A/R	3973902	ACTUATOR,KNEEL SWITCH	A/R	
	3974651	ACTUATOR,DOCKING LIGHTS	A/R				
	3974652	ACTUATOR,A/C SYSTEM	A/R				
	3974653	ACTUATOR,MIRROR HEAT	A/R				
	3974654	ACTUATOR,CALL DISABLE	A/R				
	3974655	ACTUATOR,110 OUTLET	A/R				
	3973888	ACTUATOR,DRIVER'S DOME	A/R				

Also Found in Assemblies:



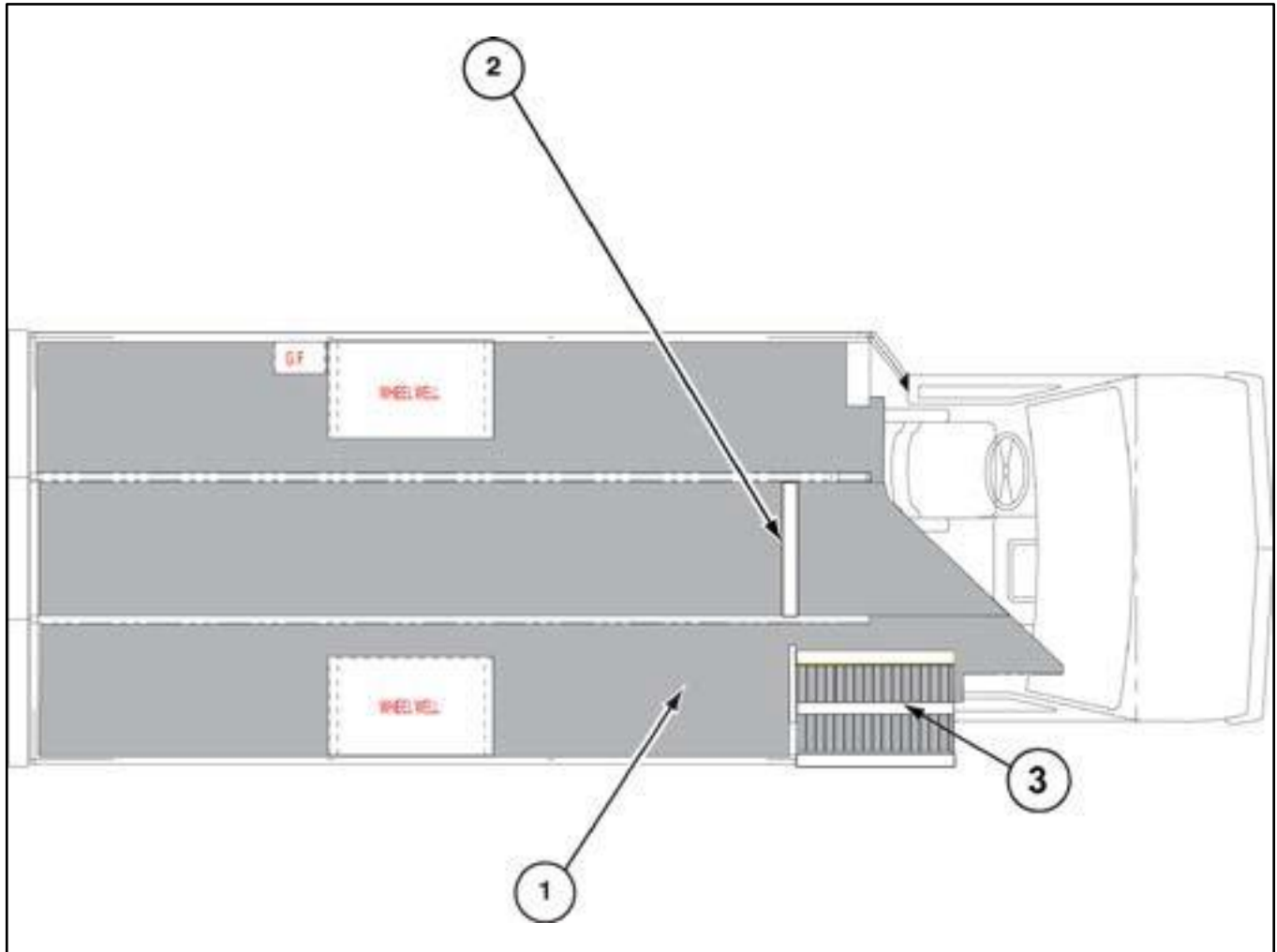
**padded vinyl modesty panel
0402664**

<i>ITEM PART NO. DESCRIPTION</i>	<i>QTY</i>	<i>ITEM PART NO. DESCRIPTION</i>	<i>QTY</i>
01 6170106 Pad, Foam 3/16"	7		
0402664 Panel, Modesty 24 x 24.25 Padded Vin	1		
7371128 Vinyl, Harbor Moonbeam	1		



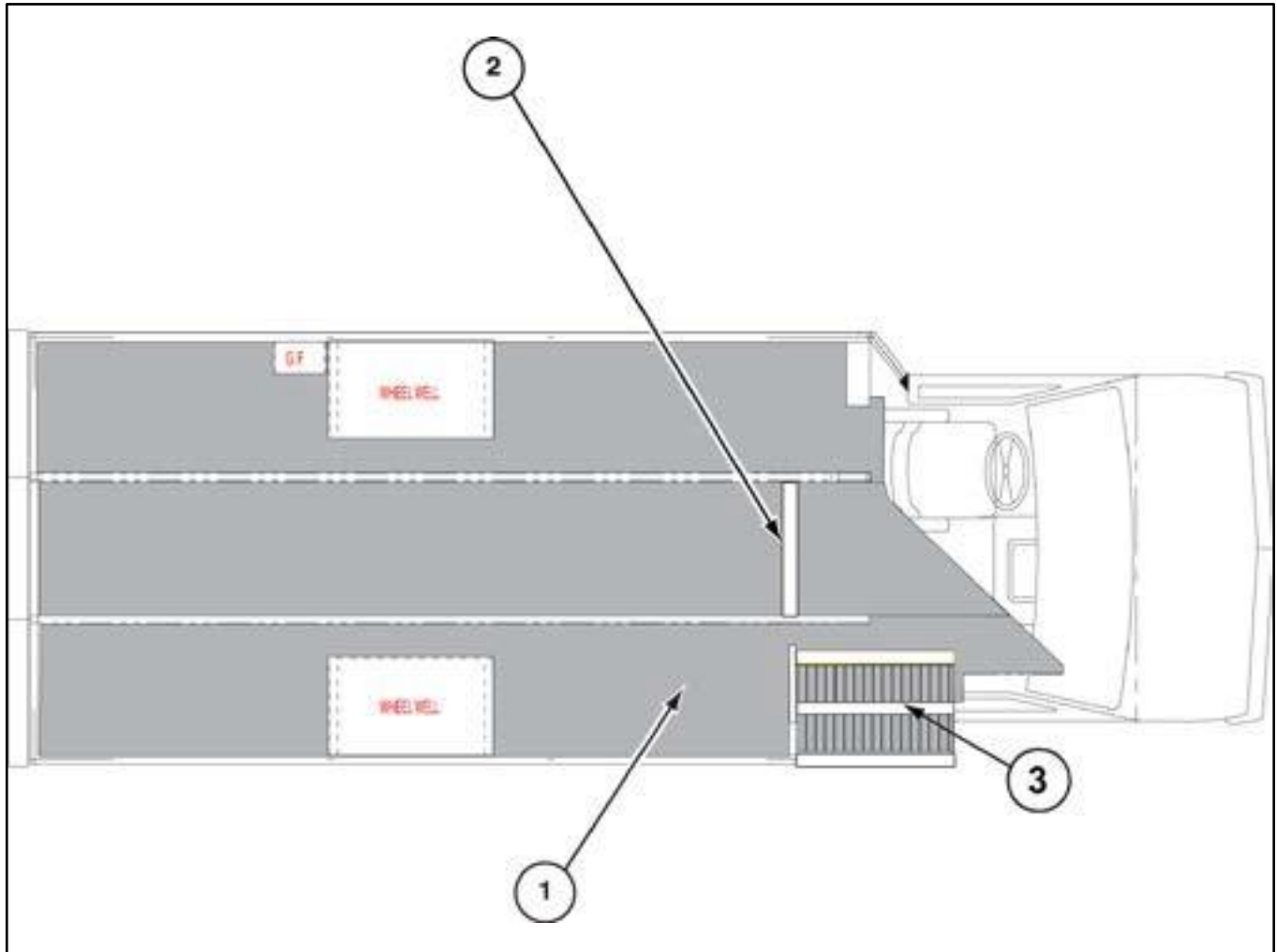
Full Floor rubber - black 30028 / 30028c

<i>ITEM PART NO. DESCRIPTION</i>	<i>QTY</i>	<i>ITEM PART NO. DESCRIPTION</i>	<i>QTY</i>
01 1570319 Rubber, Black (3/16 x 29-3/8") Rib	AR	APPLIES TO THE FOLLOWING ASSEMBLIES:	
02 1540715 Rubber, Black (.13 x 34½) Smooth	AR	CH2110030028	
NS 1570474 Coving, Altro 3/4" x 5 Feet Long	AR	CH2310030028	
		CH2510030028	
		CH2700030028	
		CR2110030028	
		DF2700030028	
		DF2900030028	
		DF3110030028	
		DF3300030028	
		DF3500030028	
		DF3110030028C	
		DF3300030028C	
		DF3500030028C	



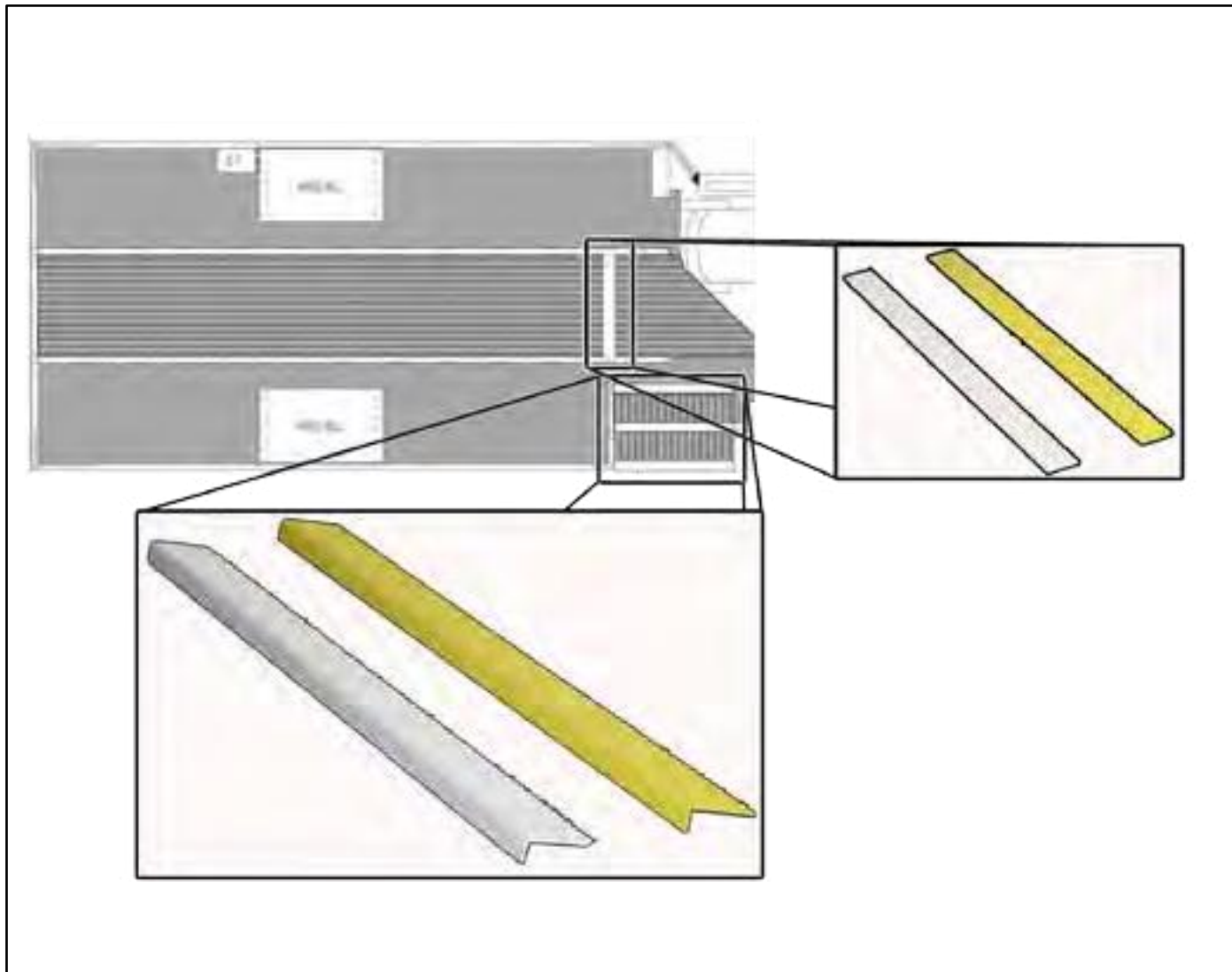
altro Flooring - pdot miscellaneous

ITEM	PART NO.	DESCRIPTION	QTY	ITEM	PART NO.	DESCRIPTION	QTY
		0417685 Flooring, Altro Chroma				0419694 Flooring, Altro Genome W/Yellow Step	
		0419877 Flooring, Altro Chroma				0417759WY Flooring, Altro Genome	
		0419740 Flooring, Altro Chroma - Covered		01	1570458	Flooring, Altro Genome 79" x 786"	AR
1	1570473	Flooring, Altro Mineral 79" x 786"	AR	02	1570463	Standee, White 10'	1
2	1570463	Standee Line, White 10'	AR	03	1570462	Nosing, Alum T36T W/ Yellow Insert	AR
3	1570462	Nosing, Alum T36T w/ Yellow Ins 10"	1.5	NS	1570460	Rod, Welding Altro Chroma Mineral	AR
NS	1570460	Rod, Welding Altro Chroma Mineral	AR	NS	1570459	Sealant, Altro Chroma Mineral	AR
NS	1570459	Sealant, Altro Chroma Mineral	AR	NS	1570474	Coving, Altro 3/4" x 5' Long	6
NS	1570474	Coving, Altro 3/4" x 5' Long	AR			0417760Y Flooring, Altro Storm W/Yellow Step	
		0417003 Flooring, Altro Chroma Mineral		01	1570475	Flooring, Altro 79" x 786" Storm 2.2	AR
1	1570443	Flooring, Altro Chroma Mineral 2.7M	AR	02	1570463	Standee, White 10'	1
2	1570463	Standee, White 10'	AR	03	1570462	Nosing, Alum T36T W/Yellow Insert	AR
NS	1570462	Nosing, Alum T36T W/Yellow Insert	1.3	NS	1570477	Rod, Welding Altro Storm WR82	AR
NS	1570460	Rod, Welding Altro Chroma Mineral	AR	NS	1570476	Sealant, Altro Storm WR-82	AR
NS	1570459	Sealant, Altro Chroma Mineral	1	NS	1570474	Coving, Altro 3/4" x 5 Ft. Long	AR



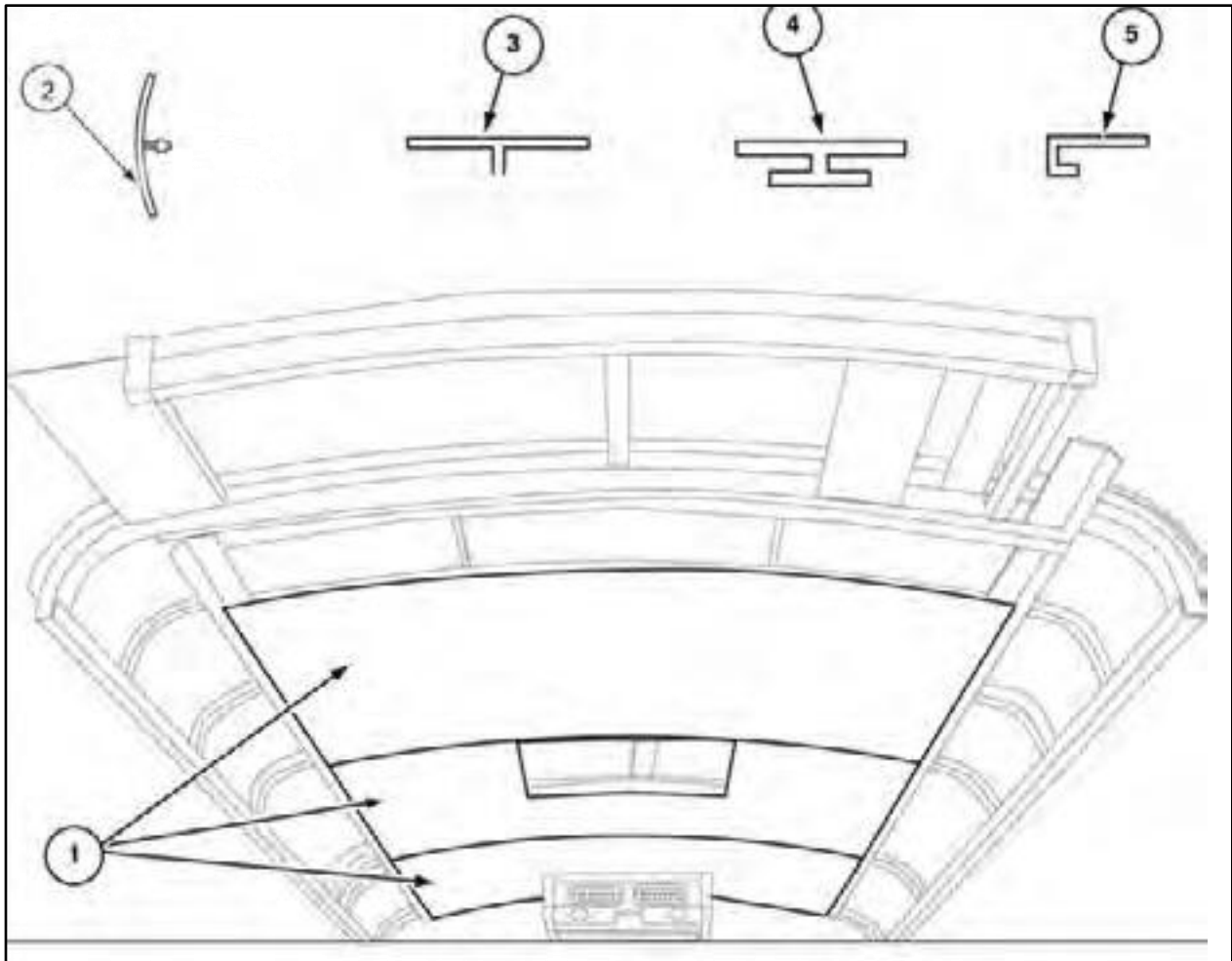
ALTRO FLOORING - PDOT MISCELLANEOUS (PAGE 2)

ITEM	PART NO.	DESCRIPTION	QTY	ITEM	PART NO.	DESCRIPTION	QTY
0422007 Flooring, Altro Cayman Yellow Step Wt				0420642 Flooring, Altro CH230 STRADA			
1	1570519	Flooring, Altro Cayman 79" x 786"	AR	1	1570497	Flooring, Altro Chroma Strada 79 x 786	.5
2	1570463	Standee Line, White 10'	AR	2	1570463	Standee Line, White 10'	.5
3	1570461	Edge, Step 9' Yellow	1	3	1570462	Nosing, Alum T36TW/Yellow Insert	1
NS	1570460	Rod, Welding Altro Genome	AR	NS	1570493	Sealant, Altro Chroma Elan	.5
NS	1570459	Sealant, Altro Genome	AR	NS	1570944	Rod, Welding Altro Chroma Elan	1
0420643Y Flooring, Altro Genome White/Yellow				NS	1570474	Coving, Altro 3/4" x 5' Long	8
1	1570458	Flooring, Altro 79" x 786" Genome	AR				
2	1570463	Standee Line, White 10'	AR				
3	1570462	Nosing, Alum T36T W/Yellow Insert	1.3				
NS	1570460	Rod, Welding Altro Genome	AR				
NS	1570459	Sealant, Altro Genome	AR				



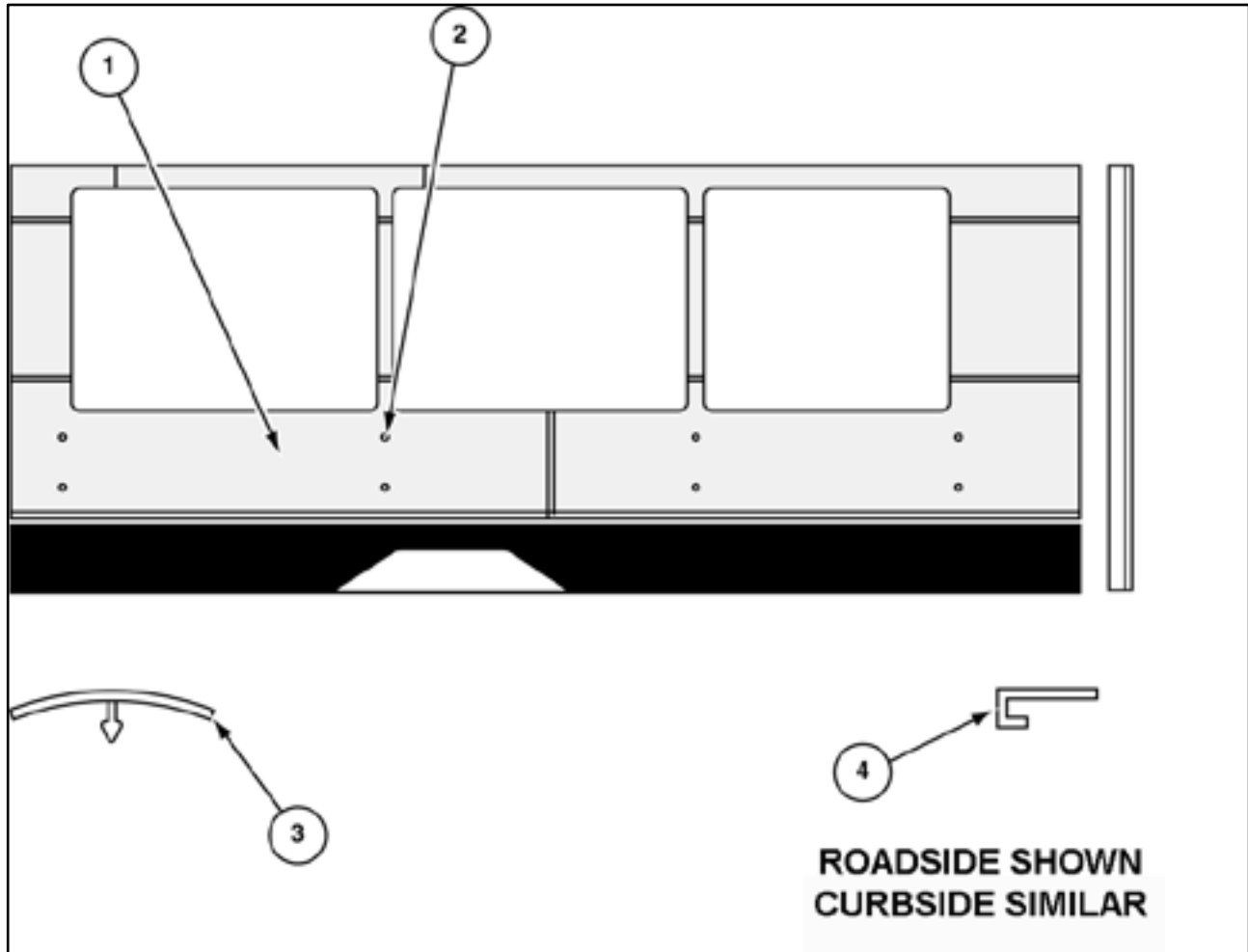
Step Edge / Standee Line Standard

Item Part Number	Description	QTY	Item Part Number	Description	QTY
1540848	EDGE,STEP STEEL .19 X 3 X 34.0		<u>Also Found in Assemblies:</u>		
1570161	EDGE,STEP STEEL .19 X 3 X 44.0		0401115, 0402134, 0402662,0404872, 0402877, 0402877S,		
1540087	EDGE,STEP STEEL .19x3x34		0401463, 0401464, 0402877, 0414343, 0414609, 0416809,		
1570160	EDGE,STEP STEEL .19 X 3 X 44.0		0418957, 0419458, 0420038, 0420054, 0420062, 0420374,		
1570287	EDGE,STEP STL .19 X 3 X 48.88		0420497		
1570269	EDGE,STEP STEEL .19 X 3 X 54"		<u>Also Found in Assemblies:</u>		
1570298	EDGE, STEP (3" X 34¼")		AB-350-900-3116, AB-351-999-3116		
1570362	EDGE, STEP (3" X 44")		SO-304-999-3116, SO-301-999-3116, SO-304-900-3117, SO-		
1570298	EDGE, STEP (3" X 34¼")		301-900-3117, CT-000-999-3114		
1570263	STANDEE,WHITE .19 X 29.38 X 2.0		CH0000033258, CH-000-998-3116, CX-000-900-3110,		
1570264	STANDEE,YELLOW .19 X 29.38 X 2.0		CH-000-900-3111, CH-000-900-3111Y, CH-000-900-3110Y		
1571283	STANDEE, WHITE (7/8" X 24½" X 2")		CT-000-900-3111, CT-000-900-3111Y. CT-000-900-3116		
			SR-000-900-3110,		
			CX-000-900-3110Y, CX-000-900-3110, CX-000-900-3110, CX-		
			000-900-3117, CX-000-999-3114, CX-000-900-3115		
			CX0000030008		



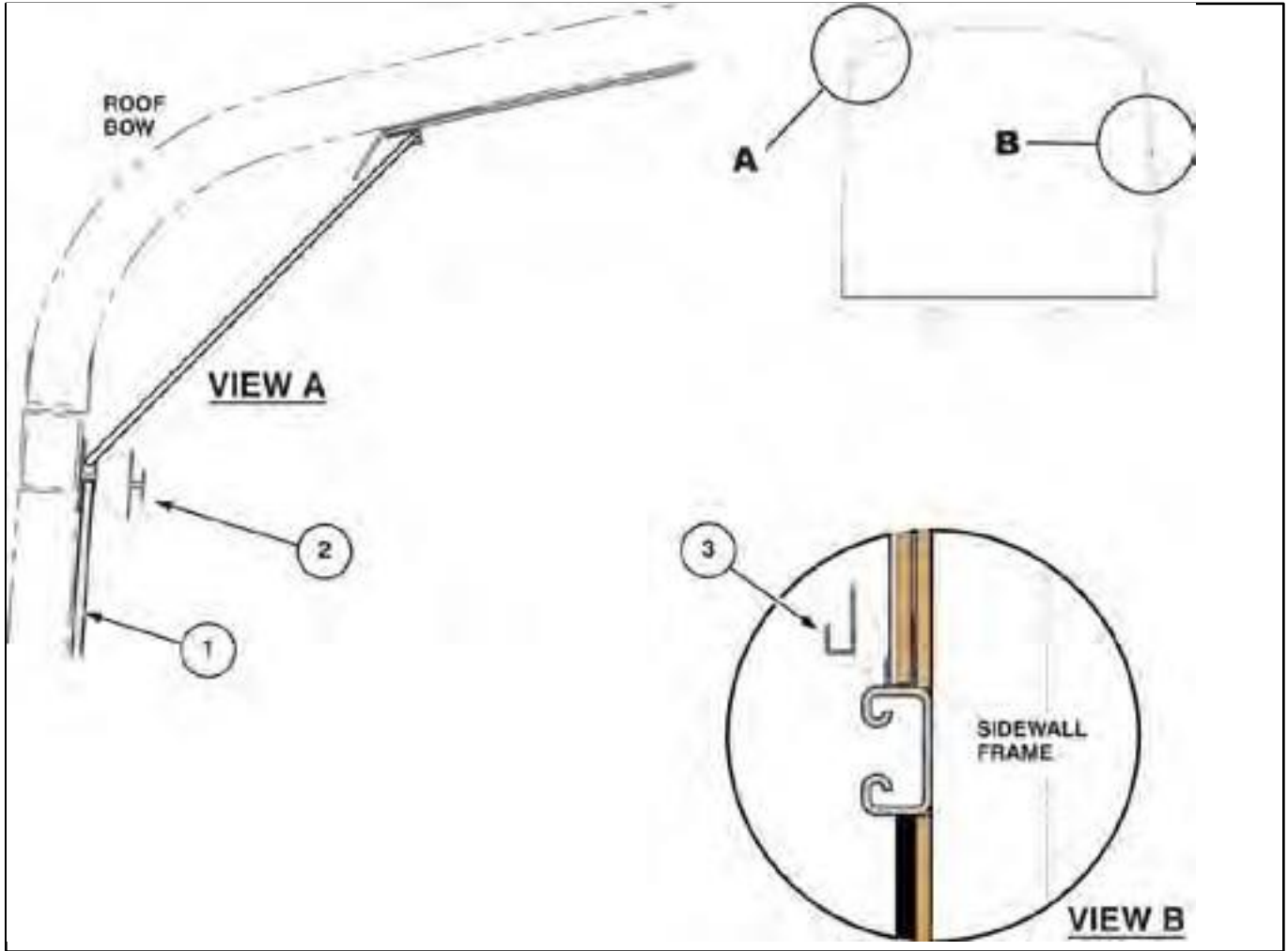
Auto cloth ceiling pAnels -3070 (ch/DF/Bg/ct)

<i>ITEM PART NO. DESCRIPTION</i>	<i>QTY</i>	<i>ITEM PART NO. DESCRIPTION</i>	<i>QTY</i>
01 0970070 Panel, Silvermist 48" x 70"	AR	INCLUDES THE FOLLOWING ASSEMBLIES: CH-220-990-3070 CH-230-998-3070 CH-270-900-3070 DF-380-900-3070 DF-290-900-3070 DF-310-999-3070 BG-320-900-3070 BG-340-900-3070 CT-300-999-3070 CT-310-999-3070 CT-330-900-3070	
01 0970067 Panel, Guilana Smoke 48" x 96"	AR		
02 3371693 Batten, Ceiling Auto Cloth 7'	AR		
3370376 Retainer, Batten 8'	AR		
03 3370368 Molding, H F101-Gray	AR		
04 4570137 Bar, Divider "H" 1/4" #2039-16' Gray	AR		
05 0470144 Cap, End "J" .19 1/4" x 16' Gray	AR		
NS 3350543 Trim, Bus Corner	AR		



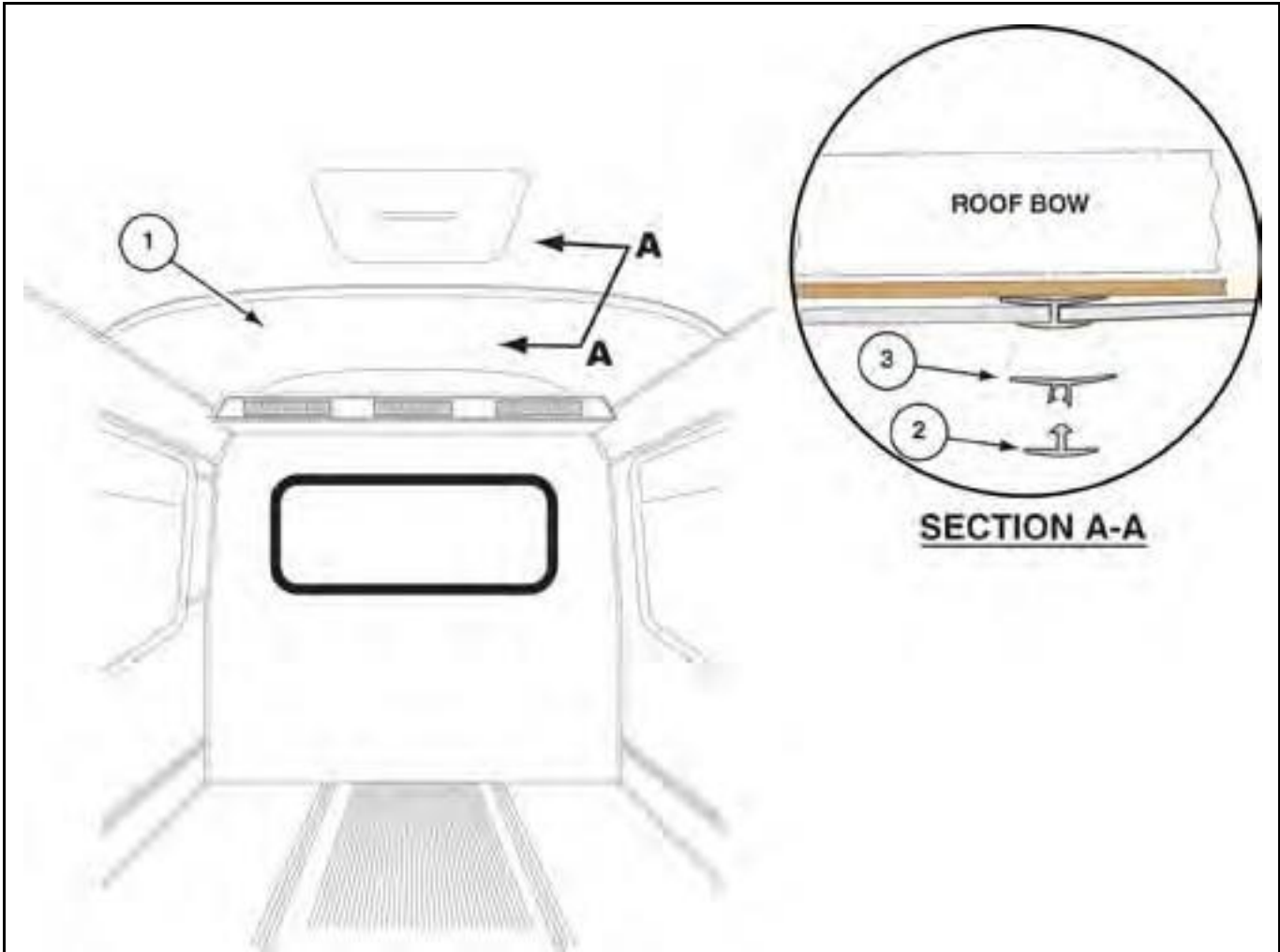
interior Auto cloth pAnels 3070

<i>ITEM PART NO. DESCRIPTION</i>	<i>QTY</i>	<i>ITEM PART NO. DESCRIPTION</i>	<i>QTY</i>
01 0970067 Panel, Guilana Smoke 48" x 96"	AR		
N/S 3371281 Molding, "H" F101-84 Blace	AR		
N/S 8570765 Screw, 8 x 1 Wafer PH Tek Zinc	AR		
N/S 8570816 Fastener, Plastic Push-In (Natural)	AR		
N/S 4570144 Cap, End "J" .19 1/4" x 16' Gray	2		



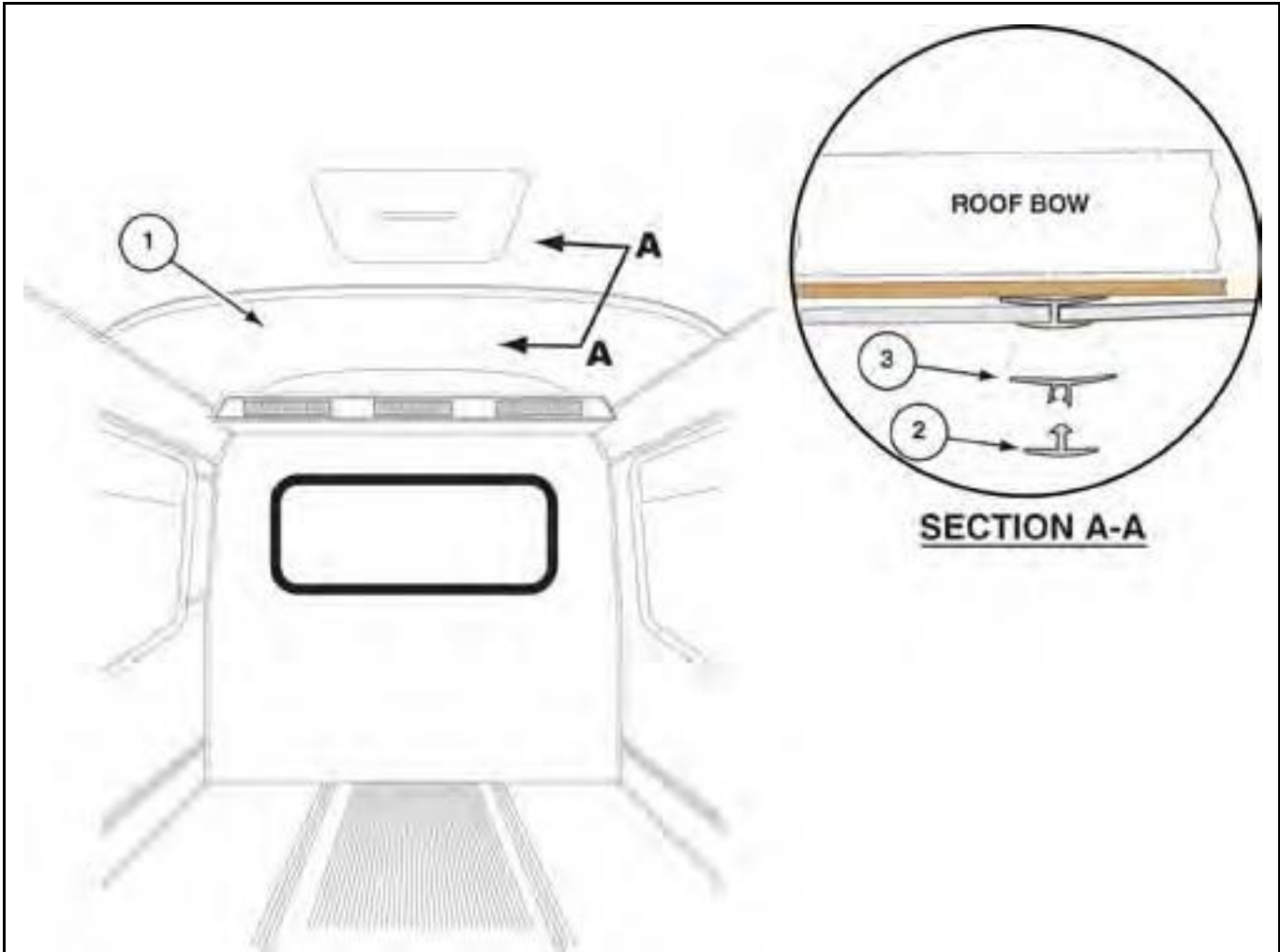
London smoke sidewall panels all assemblies

<i>ITEM PART NO. DESCRIPTION</i>	<i>QTY</i>	<i>ITEM PART NO. DESCRIPTION</i>	<i>QTY</i>
01 0970052 Panel, London Smoke 3.6 (4 x 8)	AR		
02 3370368 Molding, H F101-Grey	AR		
03 4570144 Cap, End "J" .19 1/4"x 16' Mill	AR		



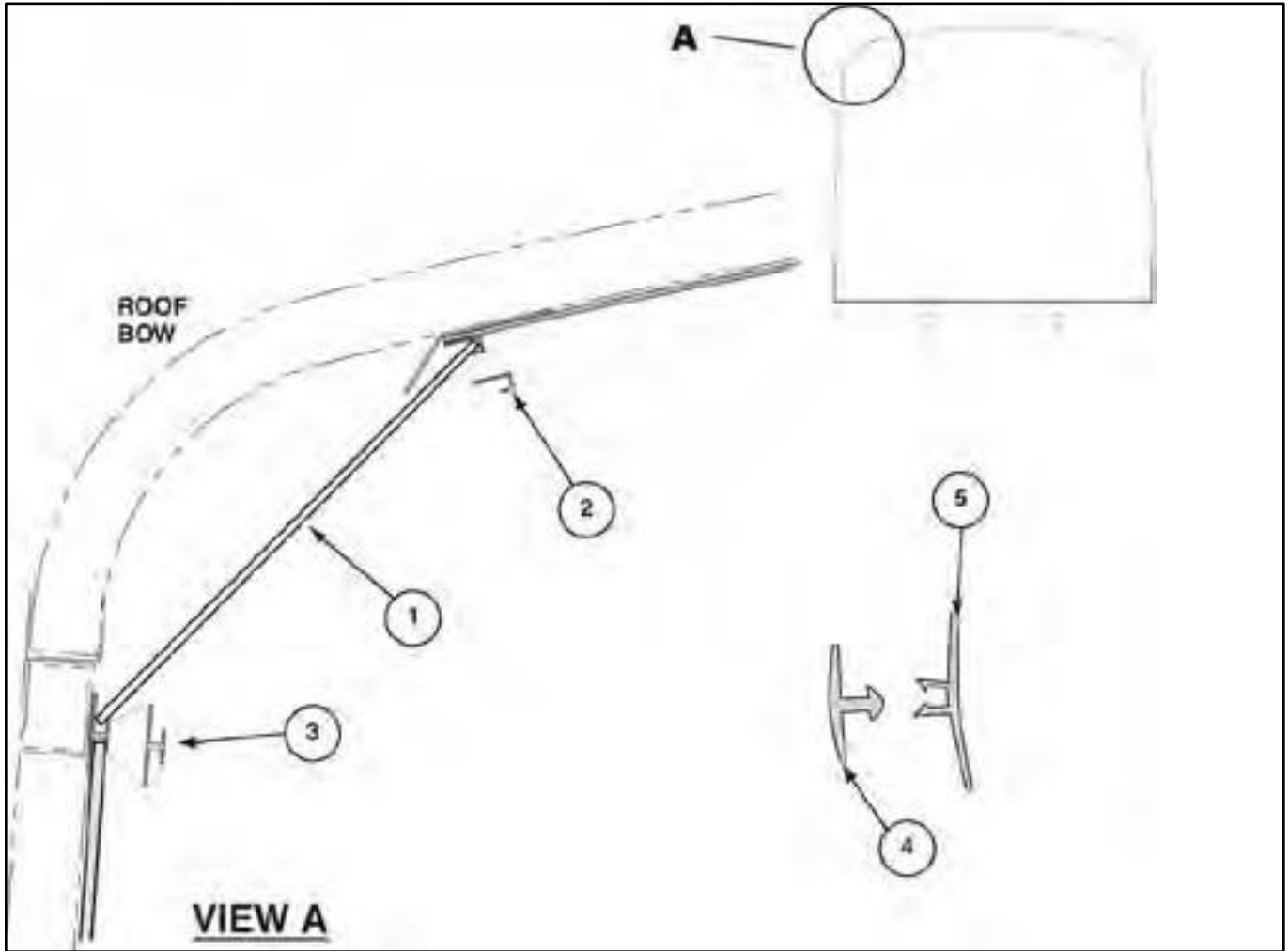
CARLSBAD Smoke Ceiling PANELS ALL ASSEMBLIES

ITEM	PART NO.	DESCRIPTION	QTY	ITEM	PART NO.	DESCRIPTION	QTY
01	0970144	PANEL, CARLSBAD SMOKE 47.75 x 70	A/R				
	0970145	PANEL, CARSBAD SMOKE 48 x 96	A/R				
02	3370990	BATTEN 1.5 x 7 RN457-C-232-7 GRAY	A/R				
03	3370376	RETAINER, BATTEN 8'(RN 391X)	A/R				



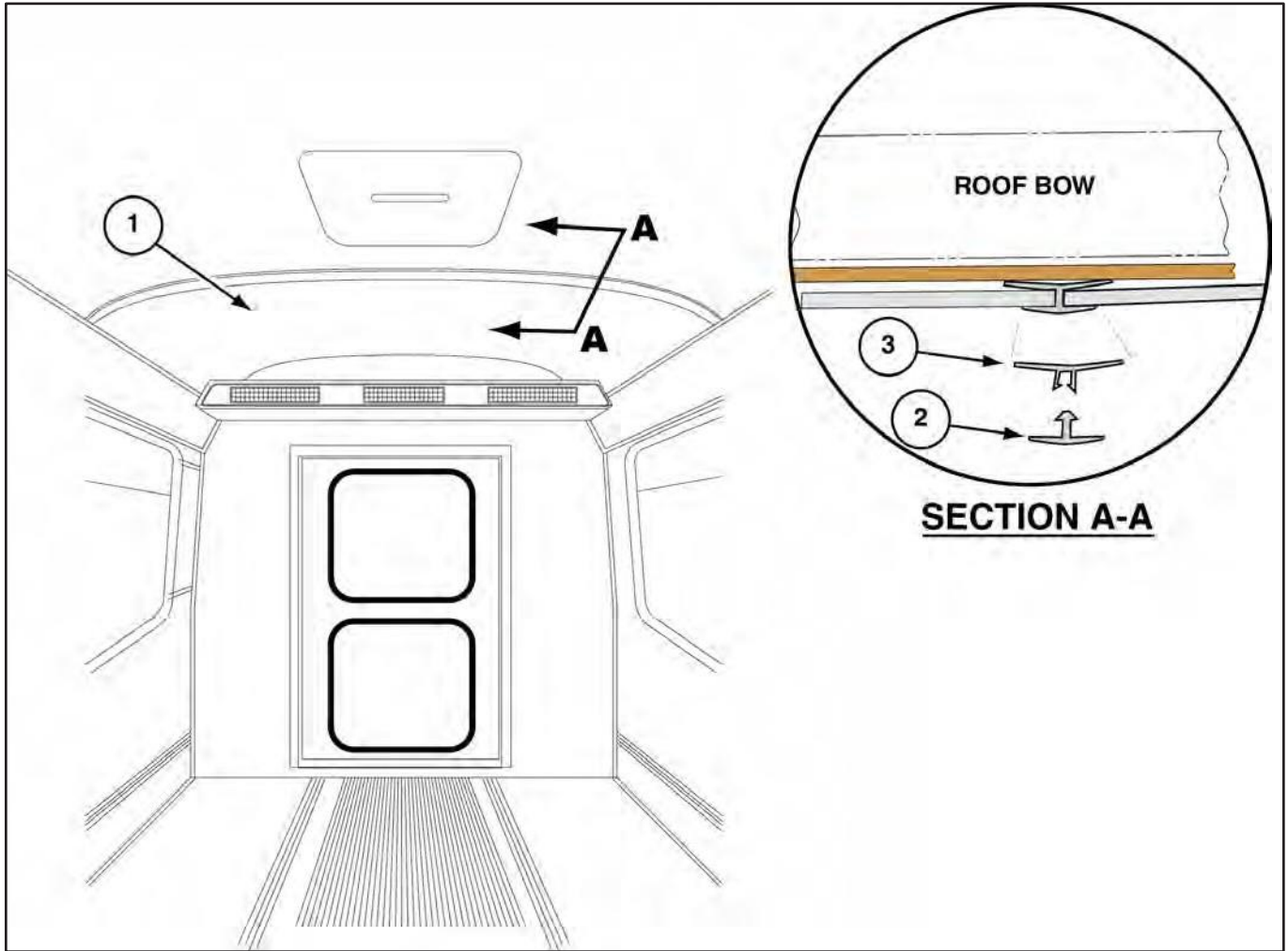
London Smoke Ceiling Panels ALL ASSEMBLIES

ITEM	PART NO.	DESCRIPTION	QTY	ITEM	PART NO.	DESCRIPTION	QTY
01	0970051	PANEL, LONDON SMOKE 48 x 70	A/R				
02	3370990	BATTEN 1.5 x 7 RN457-C-232-7 GRAY	A/R				
03	3370376	RETAINER, BATTEN 8'(RN 391X)	A/R				



London Smoke Light bar aLL aSSEMBLIES

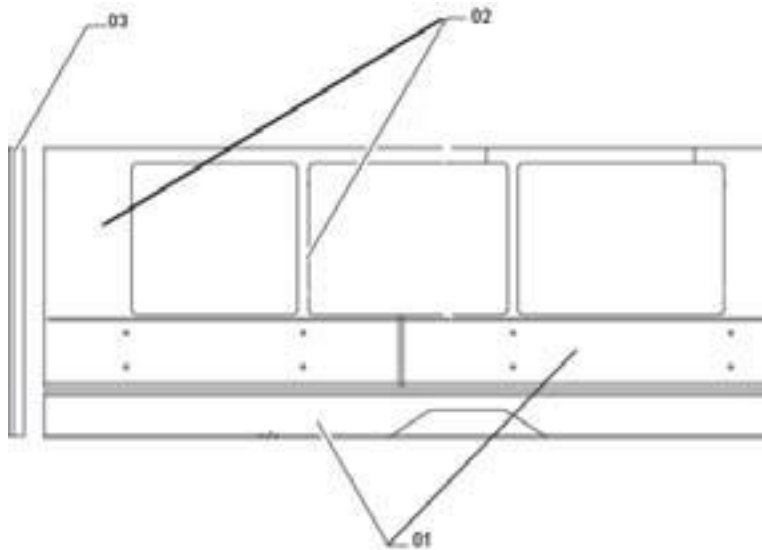
<i>ITEM PART NO. DESCRIPTION</i>	<i>QTY</i>	<i>ITEM PART NO. DESCRIPTION</i>	<i>QTY</i>
01 0970052 Panel, London Smoke 3.6 (4 x 8)	A/R		
02 4570144 Cap, End "J" (.19 1/4" x 16') Mill Finish	A/R		
03 4570137 Bar, Divider, "H" 1/4" #2039 16' Gray	A/R		
04 3370990 Batten (1 1/2" x 7")	A/R		
05 3370376 Retainer, Batten 8' (RN 391X)	A/R		



MOONBEAM CEILING PANEL

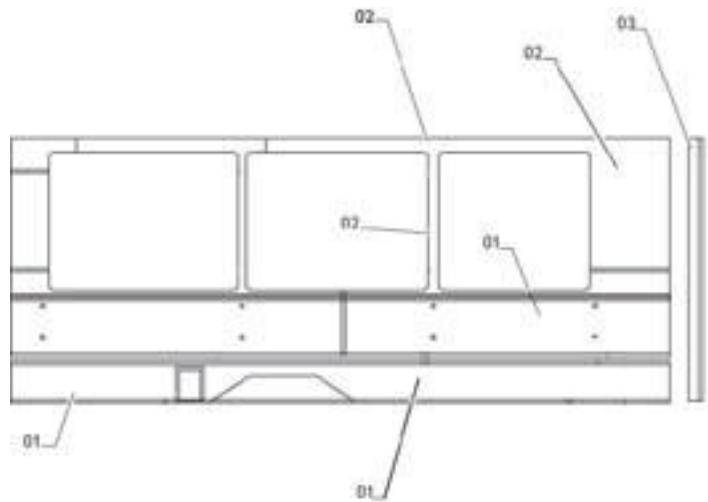
0410503 / 0410487 / 0410393 / 0410392

<i>ITEM PART NO. DESCRIPTION</i>	<i>QTY</i>	<i>ITEM PART NO. DESCRIPTION</i>	<i>QTY</i>
01 0970041 Panel, Moonbeam 48 x 70	AR		
02 3370990 Batten, (1.5 x 7) Gray	AR		
03 3370376 Retainer, Batten 8'	AR		



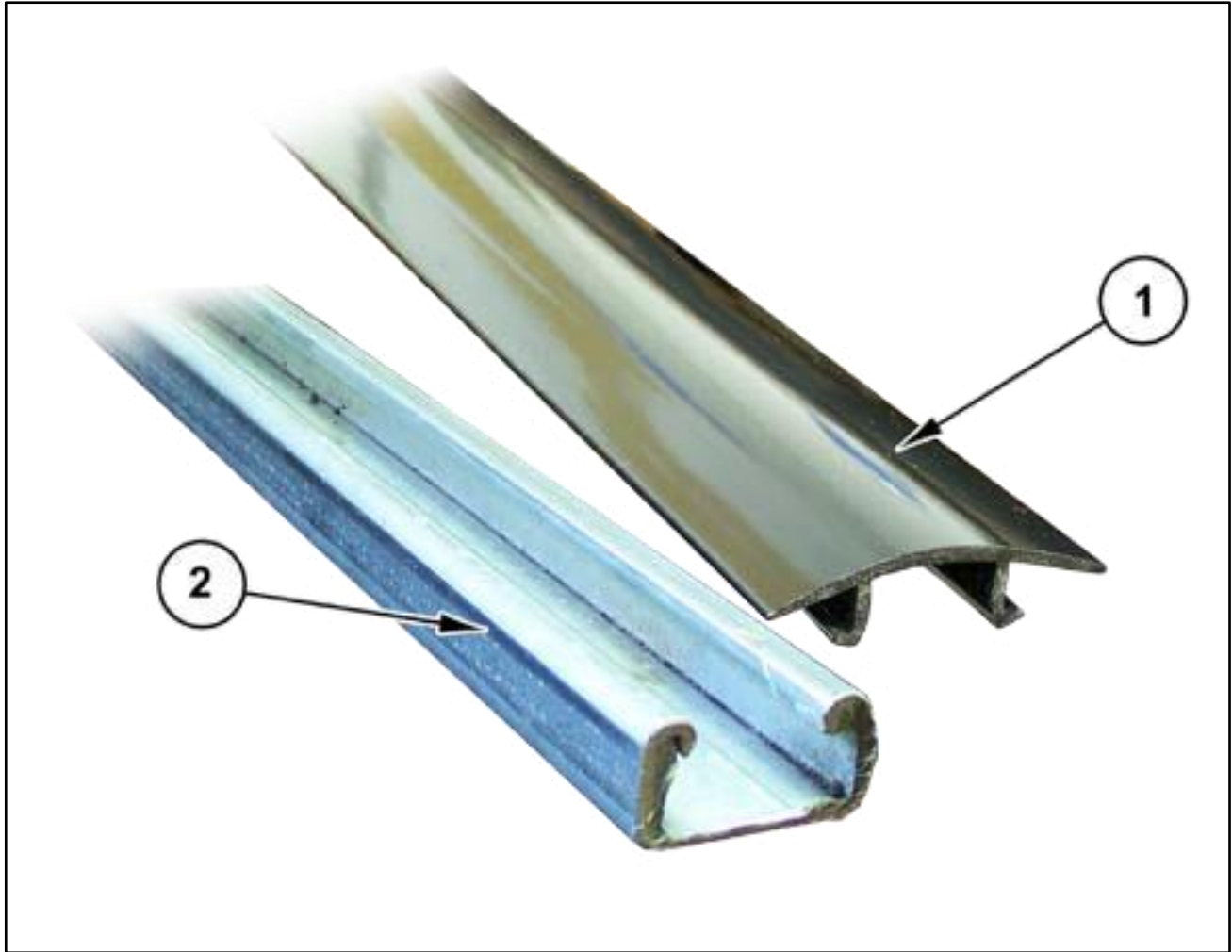
CURBSIDE INTERIOR

ROADSIDE INTERIOR



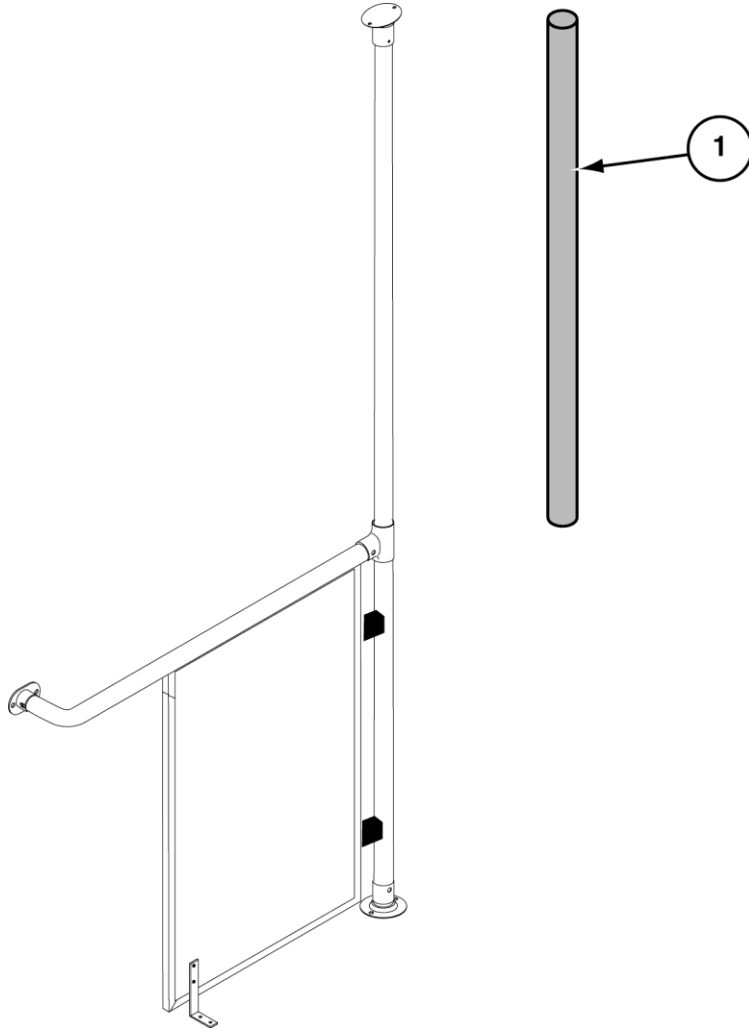
DELUXE CARPETED WALLS (GRAY) 0900G

<i>ITEM PART NO. DESCRIPTION</i>	<i>QTY</i>	<i>ITEM PART NO. DESCRIPTION</i>	<i>QTY</i>
01 1570203 Carpet, Up-Tempo Misted Granite	AR	REFERS TO THE FOLLOWING ASSEMBLIES: CH-221-900-0900G CH-250-900-0900G CH-280-900-0900G CT-333-900-0900G CT-380-900-0900G DF-290-900-0900G DF-293-900-0900G DF-310-900-0900G DF-311-900-0900G	
03 4570144 Cap, End "J" .19¼" x 16' Gray	AR		
NS 0970014 Lauan, Raw 3.6 mm x 48 x 96	AR		
NS 4370057 Laminate, Graphite Nebula 48 x 96	AR		



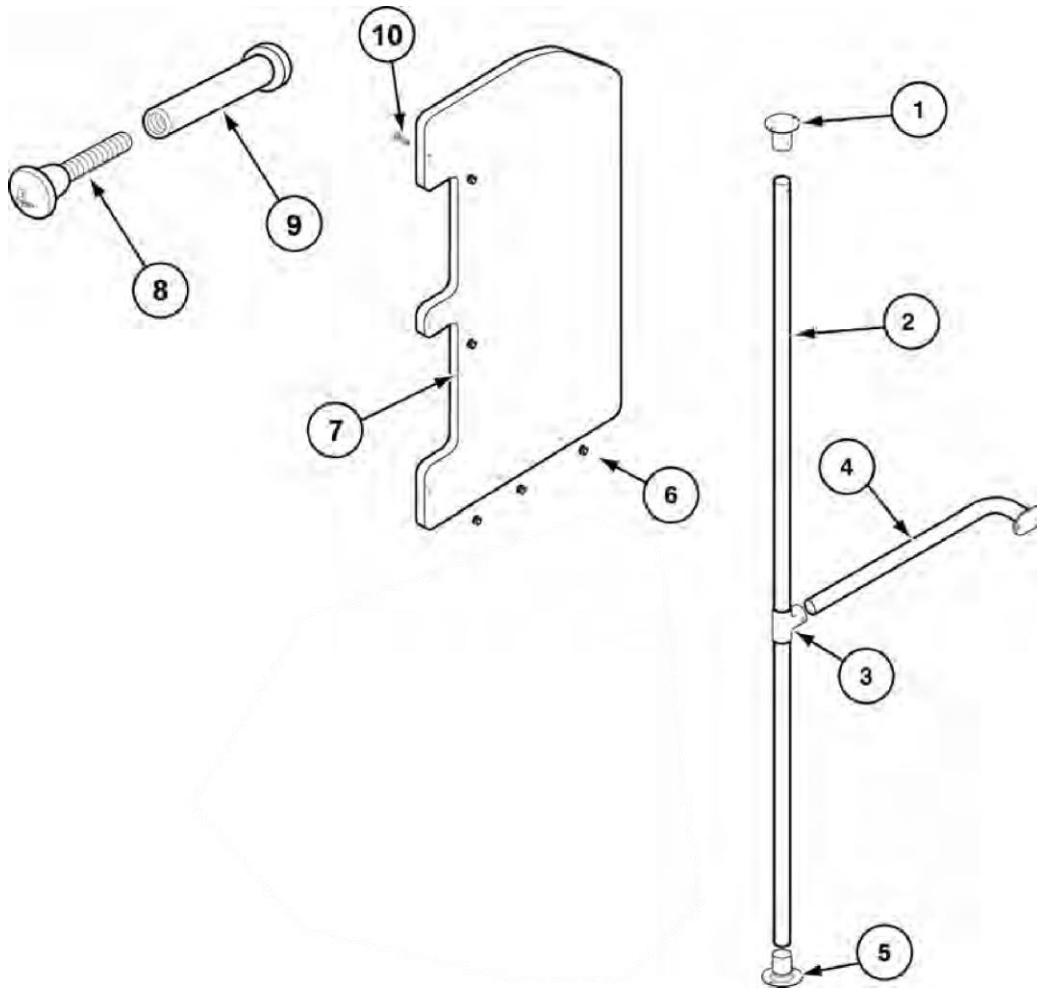
track seating - entire bus 2010

<i>ITEM PART NO. DESCRIPTION</i>	<i>QTY</i>	<i>ITEM PART NO. DESCRIPTION</i>	<i>QTY</i>
01 3371138 Cover, Channel Seat 8'	A/R	INCLUDES THE FOLLOWING ASSEMBLY NO'S:	
02 0377052 Channel, Seat Track 10' HR Steel	A/R	CR-210-900-2010	DF-310-900-2010
		CR-211-900-2010	DF-290-900-2010
		CR-213-900-2010	DF-250-900-2010
		CH-210-900-2010	DF-270-900-2010
		CH-211-900-2010	FD-290-900-2010
		CH-230-900-2010	
		CH-250-900-0210	
		CH-251-903-2010	
		CH-251-902-2010	
		CH-270-900-2010	
		CT-271-902-2010	
		CT-330-999-2010	
		CT-300-998-2010	
		BG-340-900-2010	



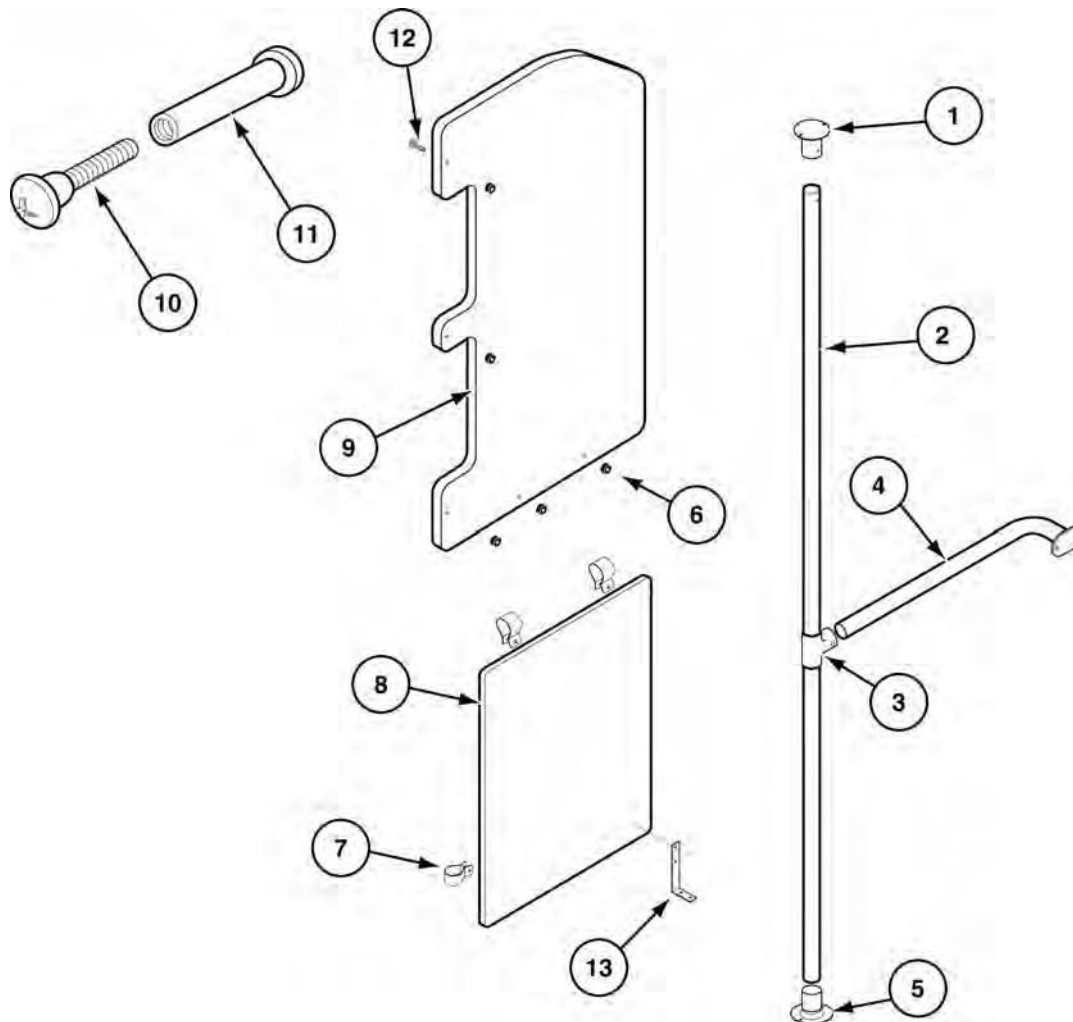
stanchion padding - deluxe (Black)
cx0000071913 / cx-000-900-1913B

<i>ITEM PART NO. DESCRIPTION</i>	<i>QTY</i>	<i>ITEM PART NO. DESCRIPTION</i>	<i>QTY</i>
01 6170246 Pad, Stanchion Black 36"	3		



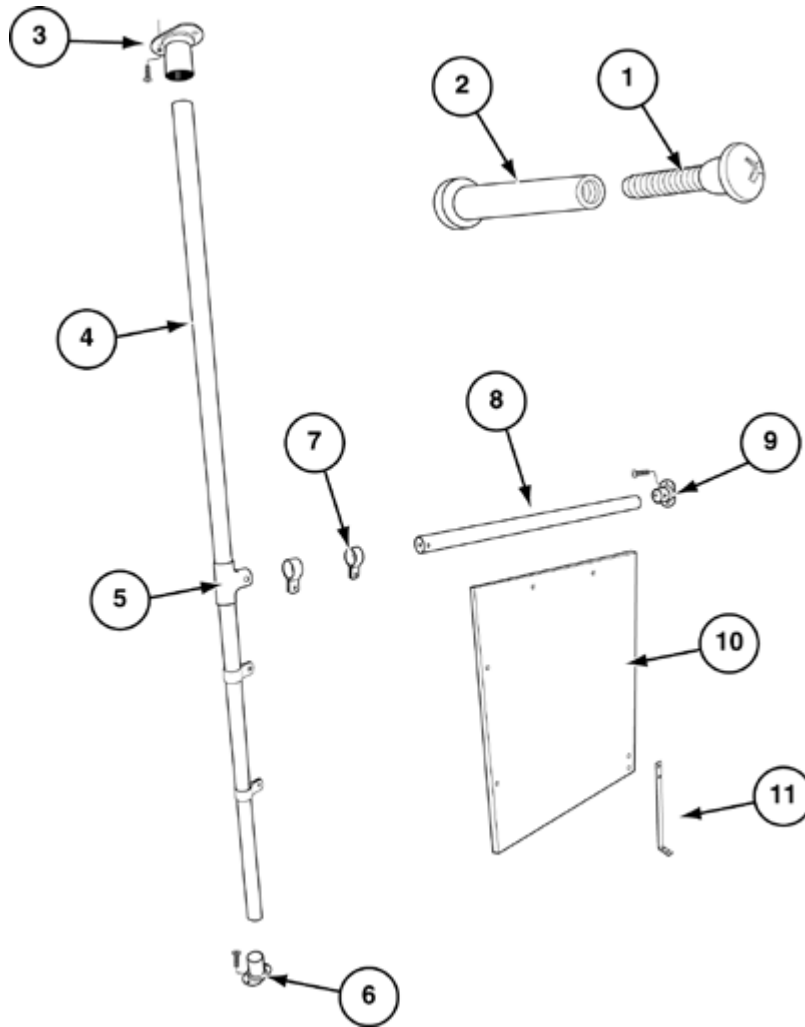
INSTALL DRIVER'S BARRIER & STANCHION PD0000073040 (REV-B)

ITEM	PART NO.	DESCRIPTION	QTY	ITEM	PART NO.	DESCRIPTION	QTY
01	0377112	FITTING, S/S BASE 5°	2	8	0377869	NUT, STANCHION 2423 FEMALE	4
02	0346494	TUBE (.065 x 1.25 x 236" S/S) 180 GRID	A/R	9	0377868	BOLT, STANCHION 2422 MALE	4
03	0346379	FITTING, TEE S/S #50100	2	10	0378648	MOUNT, STANCHION UPPER	1
04	0346494	TUBE (.065 x 1.25 x 17' S/S) 180 GRID	A/R	N/S	8570996	SCREW, MACHINE (10-32 ACORN LOCK) S/S	5
05	0343695	FITTING, BOTTOM S/S #49011	2	N/S	8571085	NUT, HEX (10-32 ACORN LOCK)	5
6	0377051	FITTING, MODESTY PANEL MOUNT S/S	4	N/S	4970425	BUMPER, RUBBER DOOR	9
NS	0376030	FITTING, S/S ELBOW W/BASE	2	N/S	8570706	SCREW, 10 X 1½ PAN QUAD ZINC	9
0408674 DRIVER'S BARRIER W/HAND CUT OUT 3/8				OPTIONAL:			
7	5970876	PANEL, ACRYLIC (3/8 x 48 x 96) GRAY PANEL 20	A/R	NS	3180011	PAINT, POWDER COAT STANCHION - YELLOW 17'	2



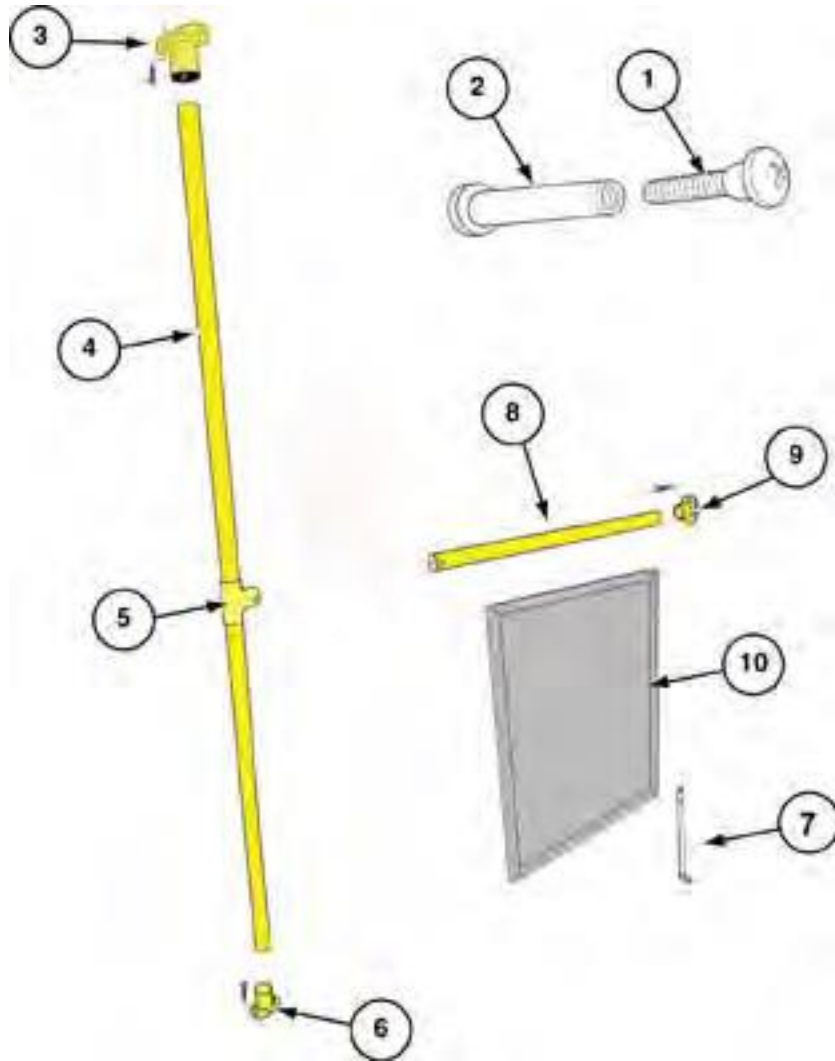
DRIVER'S STANCHION 0410192

<i>ITEM</i>	<i>PARTNO.</i>	<i>DESCRIPTION</i>	<i>QTY</i>	<i>ITEM</i>	<i>PARTNO.</i>	<i>DESCRIPTION</i>	<i>QTY</i>
01	0377112	FITTING, BASEW/RUBBER5° S/S	1	10	0346460	NUT, STANCHION1423FEMALE	2
02	0346486	TUBE(.065x1.25x76S/S) 180GRID	A/R	11	0346478	BOLT, STANCHION1422MALE	2
03	0346379	FITTING, TEES/S#50100	1	13	0377098	BRACKETMODESTYPANEL SUPPORT	1
04	0346494	TUBE(.065x1.25x17' S/S) 180GRID	A/R	14	0376089	FITTING, OVAL BASEFLANGES/S	1
05	0343695	FITTING, BOTTOMS/S#49011	1	N/S	8570996	SCREW, MACHINE (10-32ACORNLOCK) S/S	5
7	0377051	FITTING, MODESTYPANEL MOUNT S/S	3	N/S	8571085	NUT, HEX(10-32ACORNLOCK)	5
8	3371416	PANEL, MODESTY (1/4x19x24ABS) GRAY	1				
9	5970876	PANEL, ACRYLIC (3/8x48x96) GRAY	A/R				



Stanchion, Driver'S w/modeSty panel 0409486 (rev-e)

ITEM	PART NO.	DESCRIPTION	QTY	ITEM	PART NO.	DESCRIPTION	QTY
0409486 Stanchion, Driver's w/Mod ABS CH/GM/D				11	4540241	Bar, Aluminum .125 x 1" x 10'	A/R
				NS	0379244	Bracket, Driver's Stanchion Gen 2	1
1	0377868	Bolt, Stanchion Locking 2422 Male	5				
2	0377869	Nut, Stachion Locking 2423 Female	5				
3	0377112	Fitting, S/S Base 5 Degree W/Rubber	1				
04	0346494	Tube, .065 x 1.25	A/R				
05	0346379	Fitting, S/S Tee #50100	1				
6	0343695	Fitting, S/S Bottom	1				
7	0377051	Fitting, S/S Modesty Panel Mount	3				
08	0346494	Tube, .065 x 1.25	A/R				
9	0376089	Fitting, S/S Oval Base Flange	1				
10	3371416	Panel, Modesty 1/4 x 19 x 24 ABS	1				
NS	0378648	Mount, Stanchion Upper	1				
NS	0376030	Fitting, S/S Elbow W/Base	1				



ENTRY DOOR STANCHION YE II OW
0419806 / 0419705

ITEM	PART NO.	DESCRIPTION	QTY	ITEM	PART NO.	DESCRIPTION	QTY
		0419705 Stanchion, Entry CH FD/GM MDOT Yellow		07	0379205	Bracket, Modesty Panel Support, Floor	1
1	0377868	Bolt, Stanchion 1422 MALE	5	08	0346494	Tube, 17' S/S 180GRID	A/R
2	0377869	Nut, Stanchion 1423 FEMALE	5	9	0376089	Fitting, S/S Oval Base Flange	1
3	0377112Y	Fitting, S/S Base 5 Degree	1	10	3371415	Panel, Modesty 1/4" 13" x 24" ABS GRAY	1
04	0346494	Tube, .065 x 1.25 x 236" S/S/180 GRID	A/R	N/S	0377051	Fitting, S/S Modesty Panel Mount	3
5	0346379Y	Fitting, S/S TEE #50100 One Hole	2	N/S	8570996	Screw, Machine 10-32 x 1/2 Phil Pan Zinc	5
6	0343695Y	Fitting, S/S Bottom 49011	2	N/S	8571085	Nut, Hex 10-32 Acorn Lock S/S	5



MDOT r/h & l/h GrAB rAIIIS - YEII OW
0419806 / 0419706

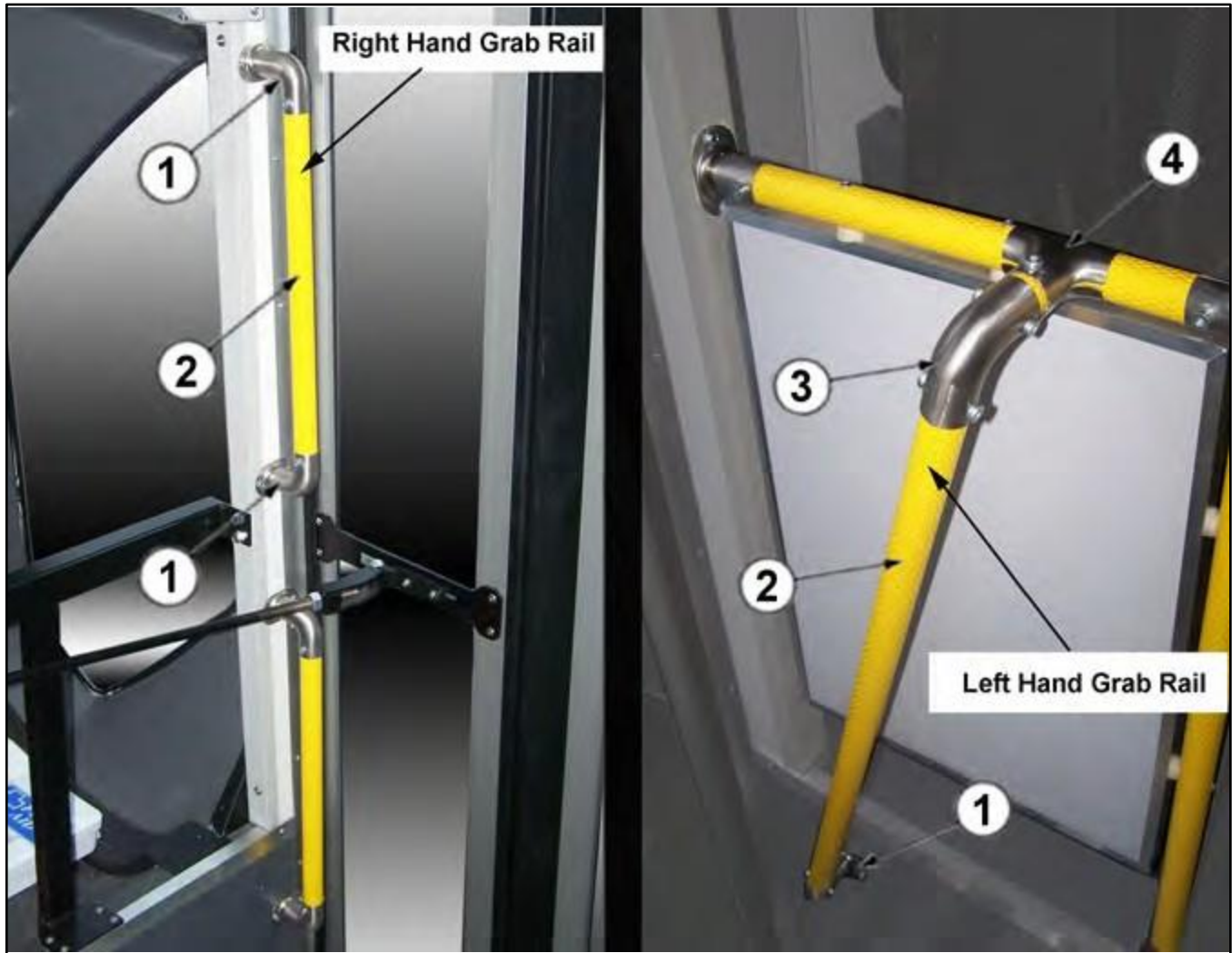
ITEM	PART NO.	DESCRIPTION	QTY	ITEM	PART NO.	DESCRIPTION	QTY
		0419706 Grab Rails RH/LH Elec MDOT - Yellow					
1	0376030Y	Fitting, S/S Elbow W/Base - Yellow	3				
2	0346379Y	Fitting, S/S Tee - Yellow	3				
3	0377997	Tube, .18GA x 1.25 x 36" 304 S/S Yellow	1				
4	0343695Y	Fitting, S/S Bottom - Yellow	3				
NS	0348235Y	Fitting, S/S Bottom Oval 90 Degree	1				



**Entry r/h grab rail-yellow dimpled
0418230**

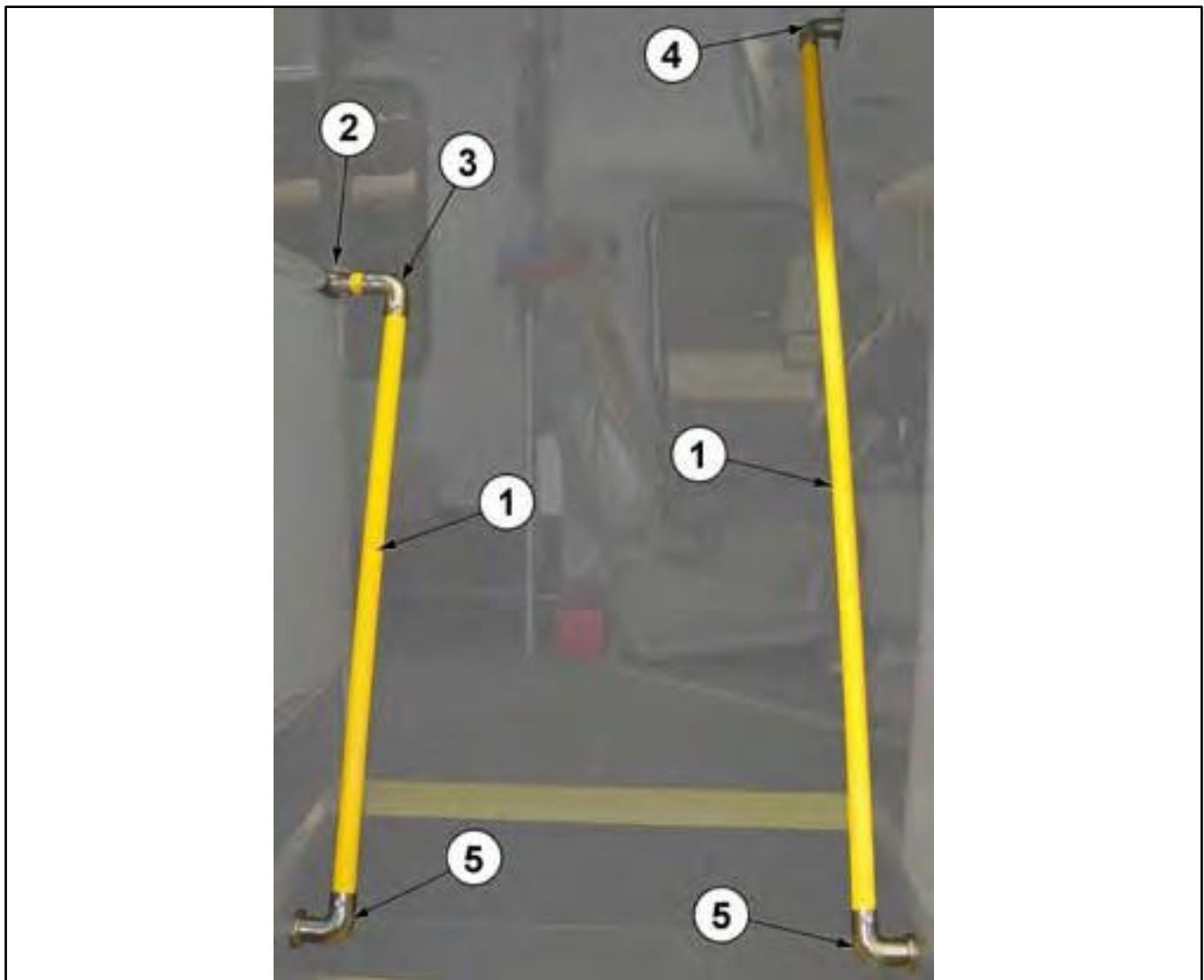
<i>ITEM</i>	<i>PART NO.</i>	<i>DESCRIPTION</i>	<i>QTY</i>	<i>ITEM</i>	<i>PART NO.</i>	<i>DESCRIPTION</i>	<i>QTY</i>
01	0377752	Tube, Stanchion 1-1/4" Dimpled Yellow	AR				
NS	0346379	Fitting, S/S Tee One Hole #50100	1				
NS	0376030	Fitting, S/S Elbow W/Base	3				
NS	0347260	Fitting, S/S Elbow #19000	1				
NS	0377868	Bolt, Stanchion Locking 2422 Male	8				
NS	0377869	Nut, Stanchion Locking 2423 Female	8				

NOTE: Picture may not resemble grab handle exactly as located in entrance.



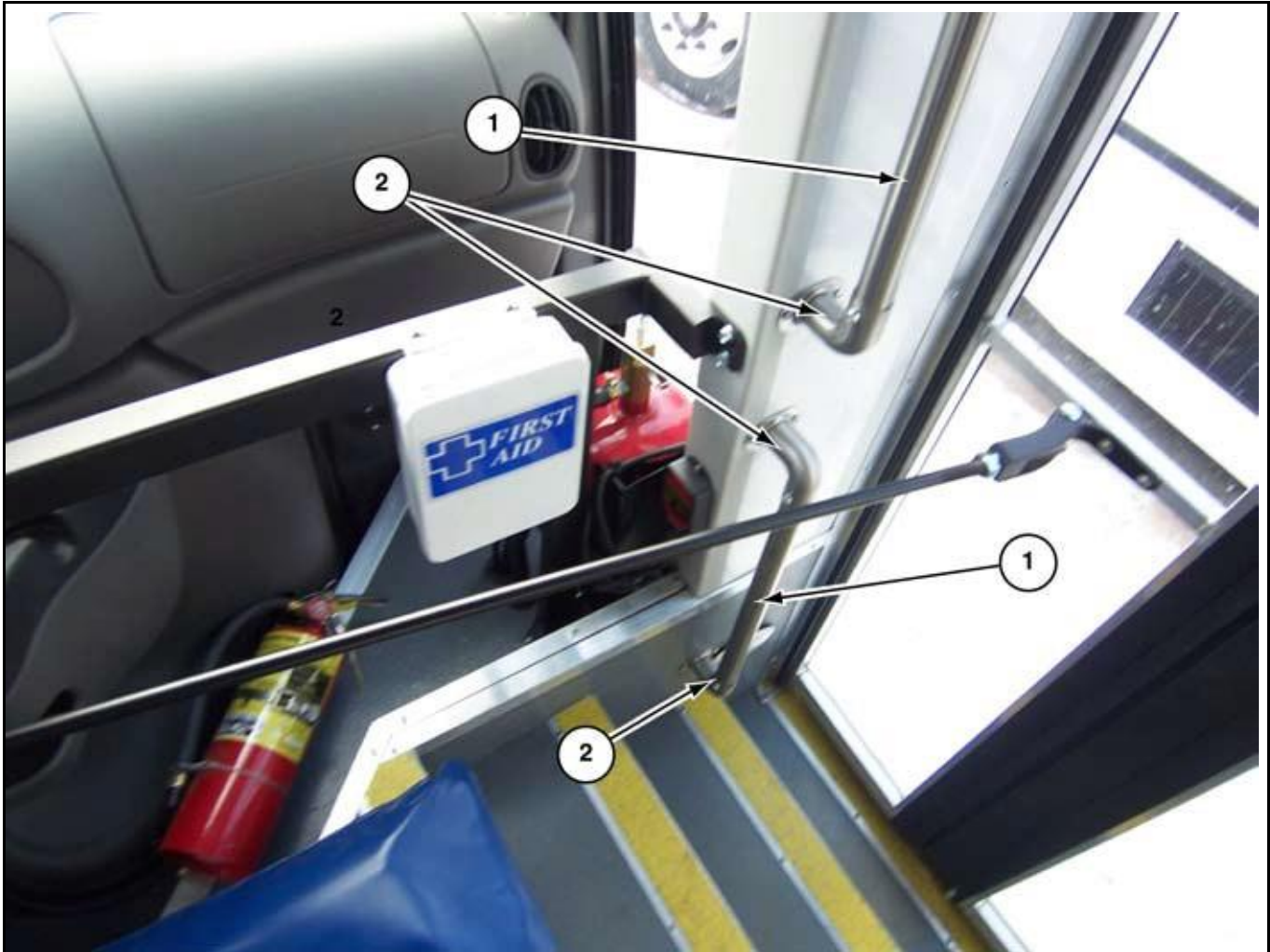
entry grab handles - manual door
0418358 / 0418231

<i>ITEM</i>	<i>PART NO.</i>	<i>DESCRIPTION</i>	<i>QTY</i>	<i>ITEM</i>	<i>PART NO.</i>	<i>DESCRIPTION</i>	<i>QTY</i>
1	0376030	Fitting, S/S Elbow With Base	5				
2	0377752	Tube, Stanchion 1-1/4" Dimpled YellowAR					
3	0347260	Fitting, S/S Elbow	1				
4	0346379	Fitting, S/S Tee - One Hole	1				
NS	0377868	Bolt, Stanchion Locking 2422 Male	12				
NS	0377869	Nut, Stanchion Locking 2423 Female	12				



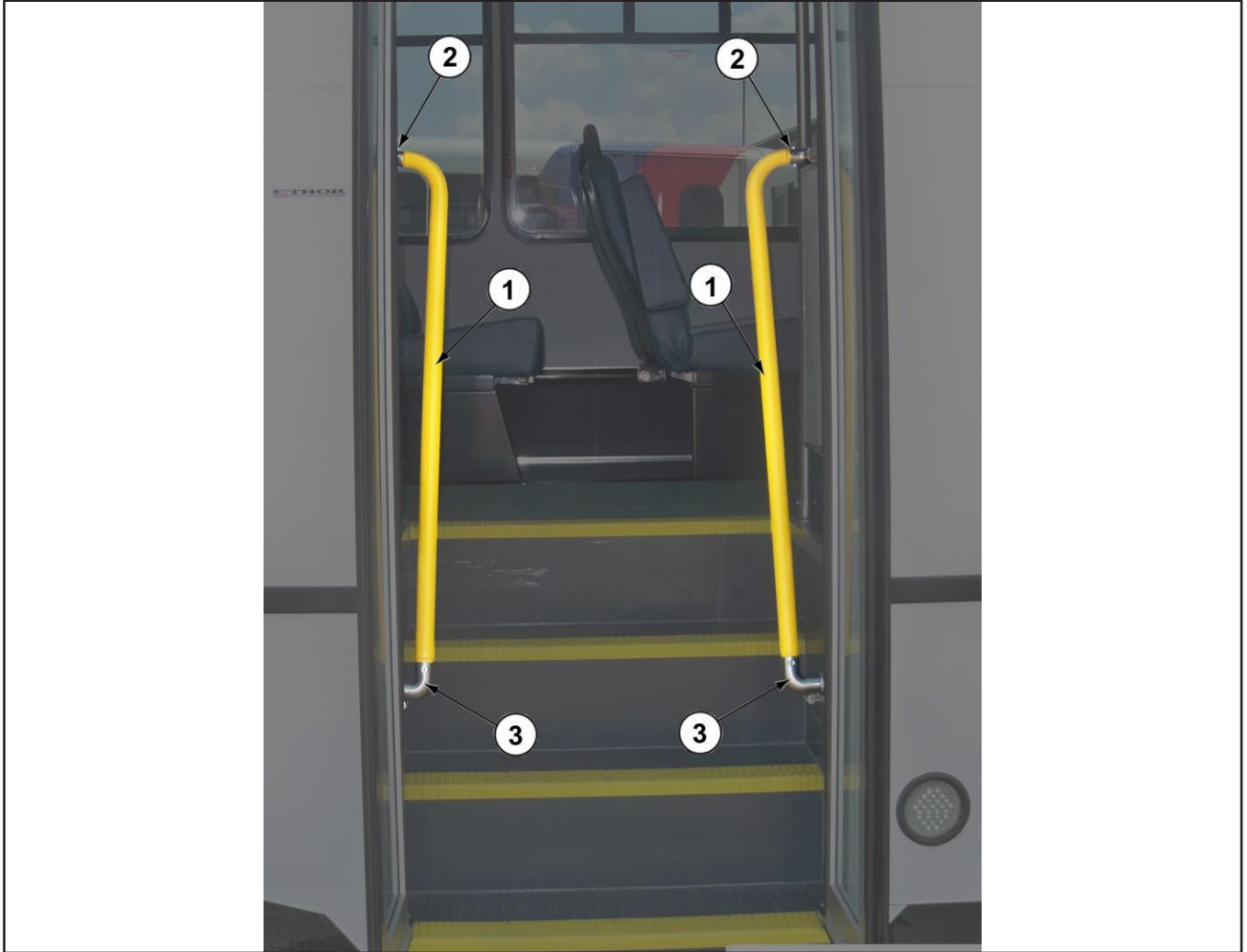
**entrance grab rails yellow dimpled
0402453a-pdot**

<i>ITEM</i>	<i>PART NO.</i>	<i>DESCRIPTION</i>	<i>QTY</i>	<i>ITEM</i>	<i>PART NO.</i>	<i>DESCRIPTION</i>	<i>QTY</i>
1	0377752	Tube, Stanchion 2¼" Dimpled Yellow	AR				
2	0346379	Fitting, S/S Tee One Hole	1				
3	0347260	Fitting, S/S Elbow	1				
4	0376089	Fitting, S/S Oval Base Flange	1				
5	0376030	Fitting, S/S Elbow W/Base	3				



RIGHT HAND GRAB RAIL 0402453A

<i>ITEM PART NO. DESCRIPTION</i>	<i>QTY</i>	<i>ITEM PART NO. DESCRIPTION</i>	<i>QTY</i>
01 0346494 TUBE (.065 x 1.25 x 17')	A/R		
02 0376089 FITTING, S/S OVAL BASE FLANGE	3		
N/S 0343695 FITTING, S/S BOTTOM 49011	1		
N/S 0646379 FITTING, S/S TEE #50100 ONE HOLE	2		
N/S 8570943 SCREW (8 x 3/4) PANQUAD	8		
N/S 0377869 NUT, STANCHION	6		
N/S 0377868 BOLT, STANCHION	6		



**entrance grab rails - ny
0418680 (reV-a)**

<i>ITEM PART NO. DESCRIPTION</i>	<i>QTY</i>	<i>ITEM PART NO. DESCRIPTION</i>	<i>QTY</i>
1 0379166 Grab Rail, RH/LH 1.50 x 43" Yellow	1		
2 0346379 Fitting, S/S Tee One Hole	2		
3 0376030 Fitting, S/S Elbow W/Base	2		



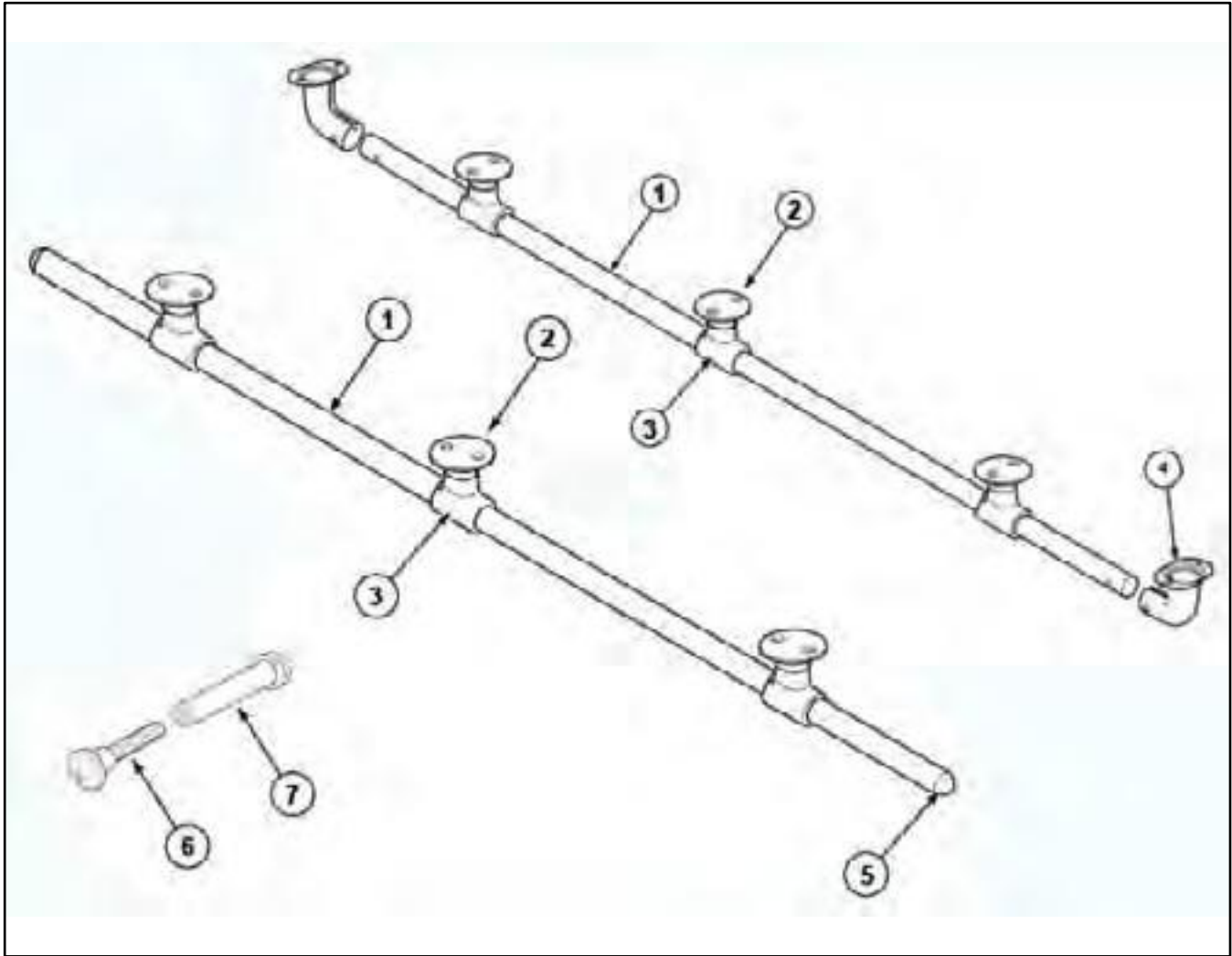
Entry door grab rails-yElloW dimpled 0418231

<i>ITEM PART NO. DESCRIPTION</i>	<i>QTY</i>	<i>ITEM PART NO. DESCRIPTION</i>	<i>QTY</i>
01 0377752 Tube, Stanchion 1-1/4" Dimpled Yellow	AR		
NS 0346379 Fitting, S/S Tee One Hole #50100	1		
NS 0376030 Fitting, S/S Elbow W/Base	5		
NS 0347260 Fitting, S/S Elbow #19000	1		
NS 0377868 Bolt, Stanchion Locking 2422 Male	12		
NS 0377869 Nut, Stanchion Locking 2423 Female	12		



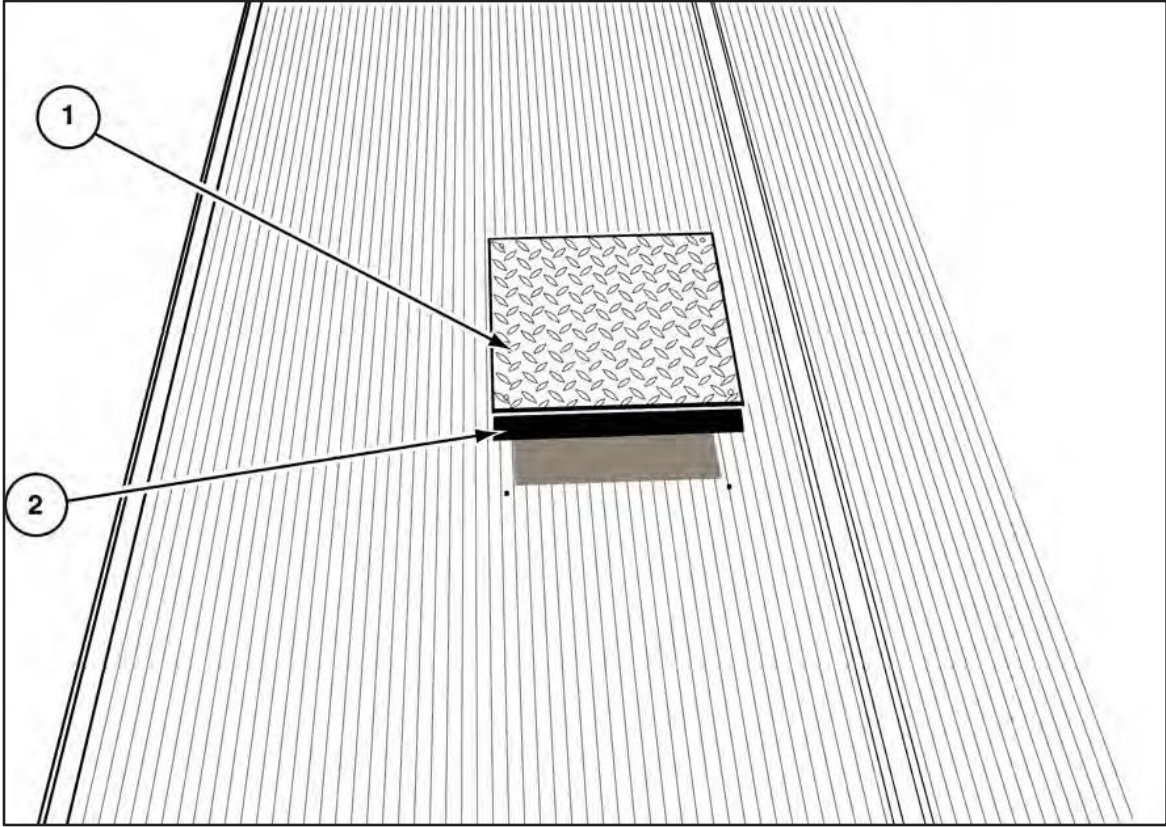
**Roof hand Rails - pair yellow dimpled
Ch2300071826y / Ch-230-900-1826y**

<i>ITEM PART NO. DESCRIPTION</i>	<i>QTY</i>	<i>ITEM PART NO. DESCRIPTION</i>	<i>QTY</i>
1 0377752 Tube, Stanchion 1-1/4" Dimpled Yel	2		
2 0346379 Fitting, S/S Tee One Hole	6		
3 0346395 Fitting, S/S Ceiling Mount	6		
4 3371684 Cap, End 1.25" Tube Black	4		
NS 8570931 Screw, 8 x 1 Pan Quad Tek Clr Empigu	6		



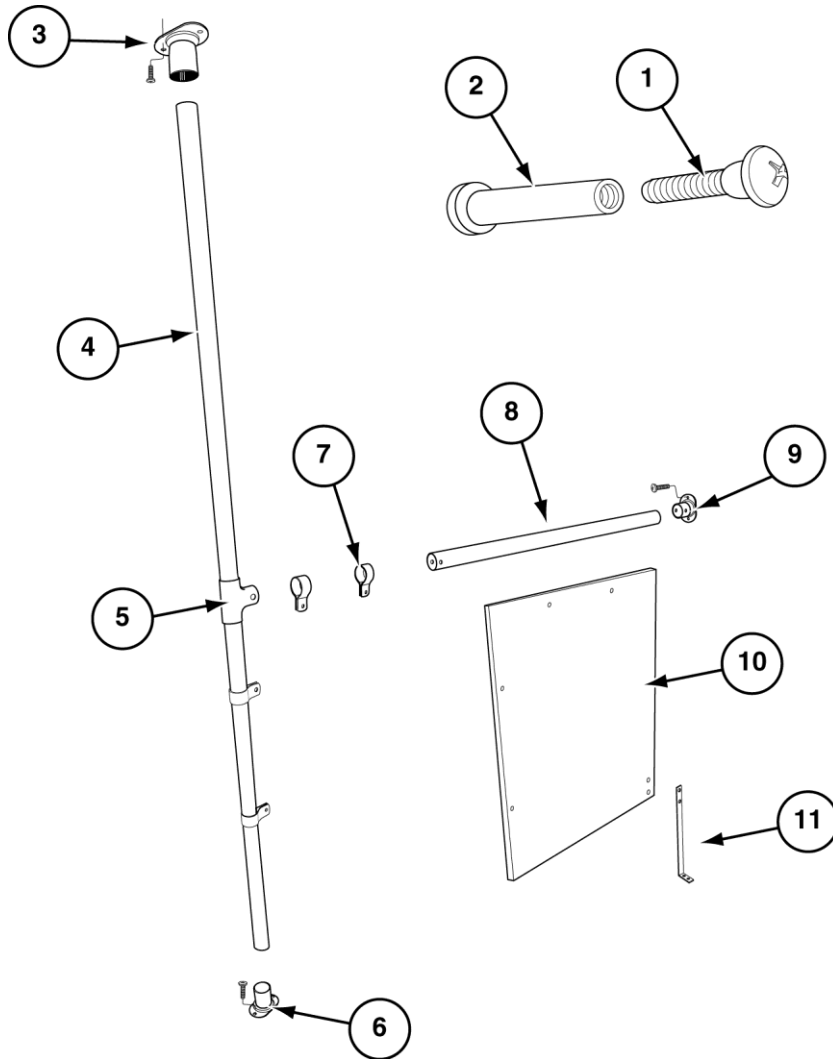
roof hand rails 1826 / 71826

<i>ITEM PART NO. DESCRIPTION</i>	<i>QTY</i>	<i>ITEM PART NO. DESCRIPTION</i>	<i>QTY</i>
01 0346494 TUBE (.065 x 1.25 x 17' SS) 180 GRID	AR	NOTE: Includes all assemblies ending in (-1826) and (71826)	
02 0346395 FITTING, S/S Ceiling Mount 21511	AR		
03 0346379 FITTING, TEE S/S #50100	AR		
4 0376030 FITTING, S/S ELBOW W/BASE	AR		
5 3371684 CAP, END 1.25" TUBE BLACK	AR		
6 0346478 BOLT, STANCHION 1422 MALE	AR		
7 0346480 NUT, STANCHION 1423 FEMALE	AR		
AR N/S 8570931 SCREW (8 x 1 PAN QUAD TEK CLR EMP) AR			



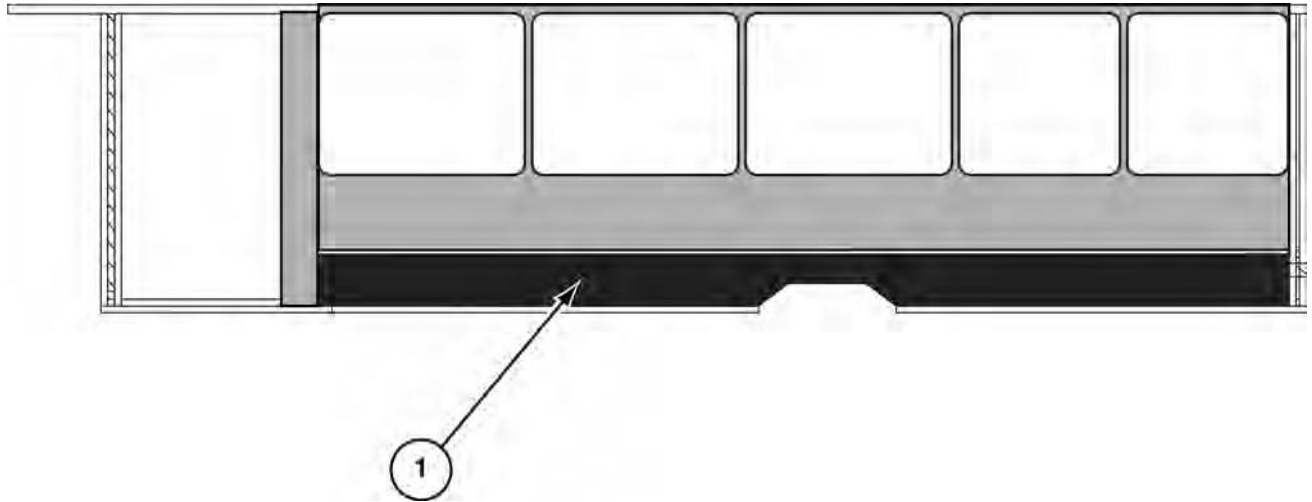
FUEL SENDING UNIT ACCESS COVER S/S 0416959

<i>ITEM PART NO. DESCRIPTION</i>	<i>QTY</i>	<i>ITEM PART NO. DESCRIPTION</i>	<i>QTY</i>
01 0378792 Cover, Fuel Sending Unit Access S/S	1		
NA 8970910 Tape, Non-Skid 12" x 60' Ocean Gray	AR		



ENTRY DOOR STANCHION W/ ABS REINFORCEMENT 0416072

ITEM	PART NO.	DESCRIPTION	QTY	ITEM	PART NO.	DESCRIPTION	QTY
0416663 STANCHION, ENTRY DOOR W/ABS				0412639 BRACKET, MODESTY PANEL SUPPORT			
N/S	8571085	NUT, HEX 10-32 ACORN LOCK S/S	5	11	4540241	BAR, ALUMINUM .125 X 1" X 10'	AR
1	0377868	BOLT, STANCHION LOCKING 1422 MALE	5				
2	0377869	NUT, STANCHION LOCKING 1423 FEMALE	5				
3	0377112	FITTING, S/S BASE 5 DEGREE W/RUBBER	1				
4	0346494	TUBE, .065 x 1.25 x 236" S/S/180 GRID	1				
5	0346379	FITTING, S/S TEE #50100 ONE HOLE	2				
6	0343695	FITTING, S/S BOTTOM 49011	2				
7	0377051	FITTING, S/S MODESTY PANEL MOUNT	3				
8	0346494	TUBE, .065 X 1.25 X 17" S/S 180GRID	A/R				
9	0376089	FITTING, S/S OVAL BASE FLANGE	1				
10	3371415	PANEL, MODESTY 1/4 x 13 x 24 ABS GRAY	1				
N/S	8570996	SCREW, MACHINE 10-32 x 1/2 PHIL PAN ZINC	5				



NOTE:
 WHEN ORDERING REPLACEMENT KICK
 PANEL, KNOW THE LENGTH YOU NEED
 BEFORE PLACING ORDER.
 PART NUMBER IS A 250' ROLL.

ROADSIDE SHOWN
 CURBSIDE SIMILAR

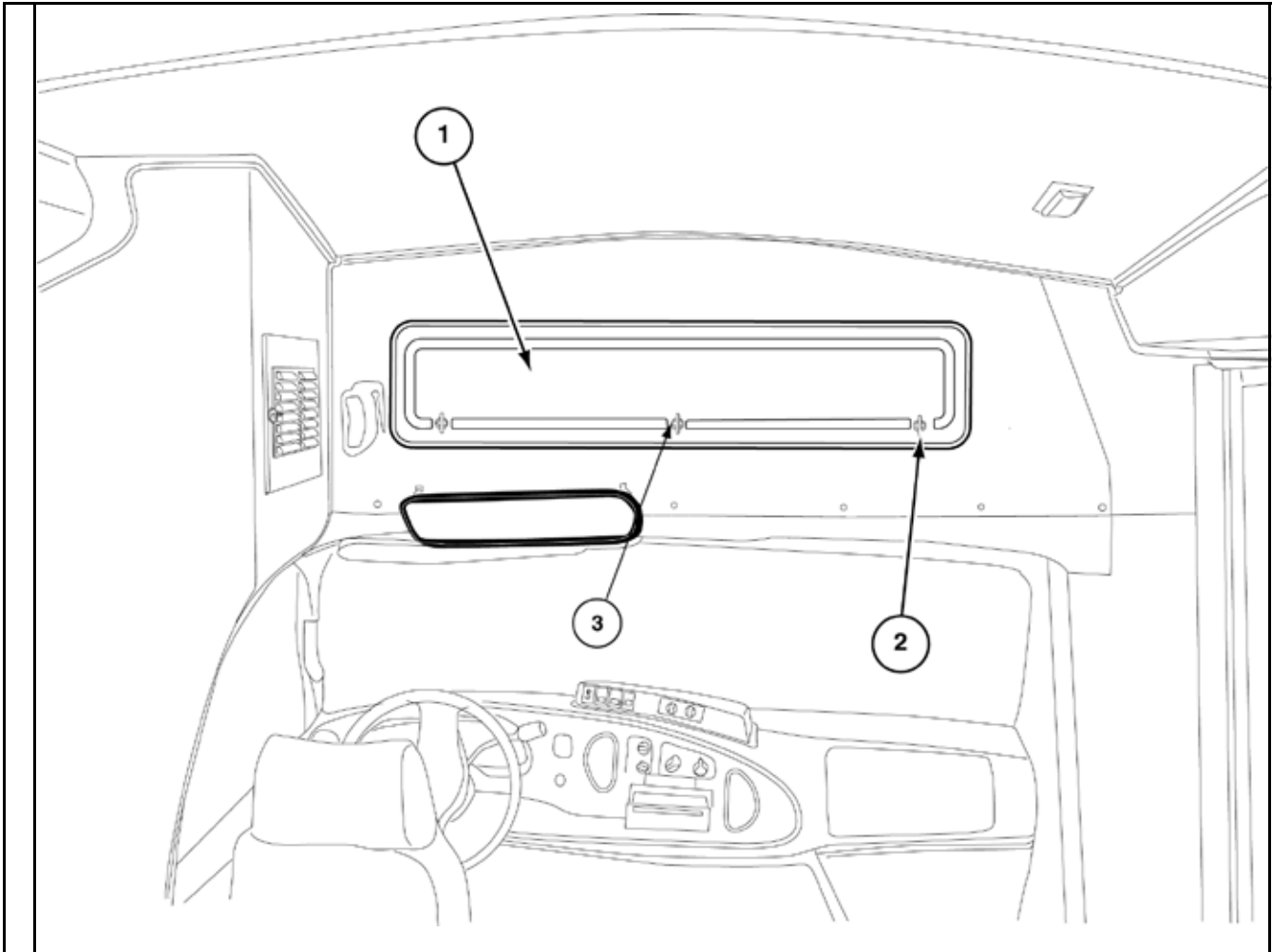
black pebble fiber glass panel
0410360 / 0410361 / 0410362 / 0410363 / 0410359

<i>ITEM PART NO. DESCRIPTION</i>	<i>QTY</i>	<i>ITEM PART NO. DESCRIPTION</i>	<i>QTY</i>
01 3371381 PANEL, BLACK PEBBLE FIBERGLASS	A/R		



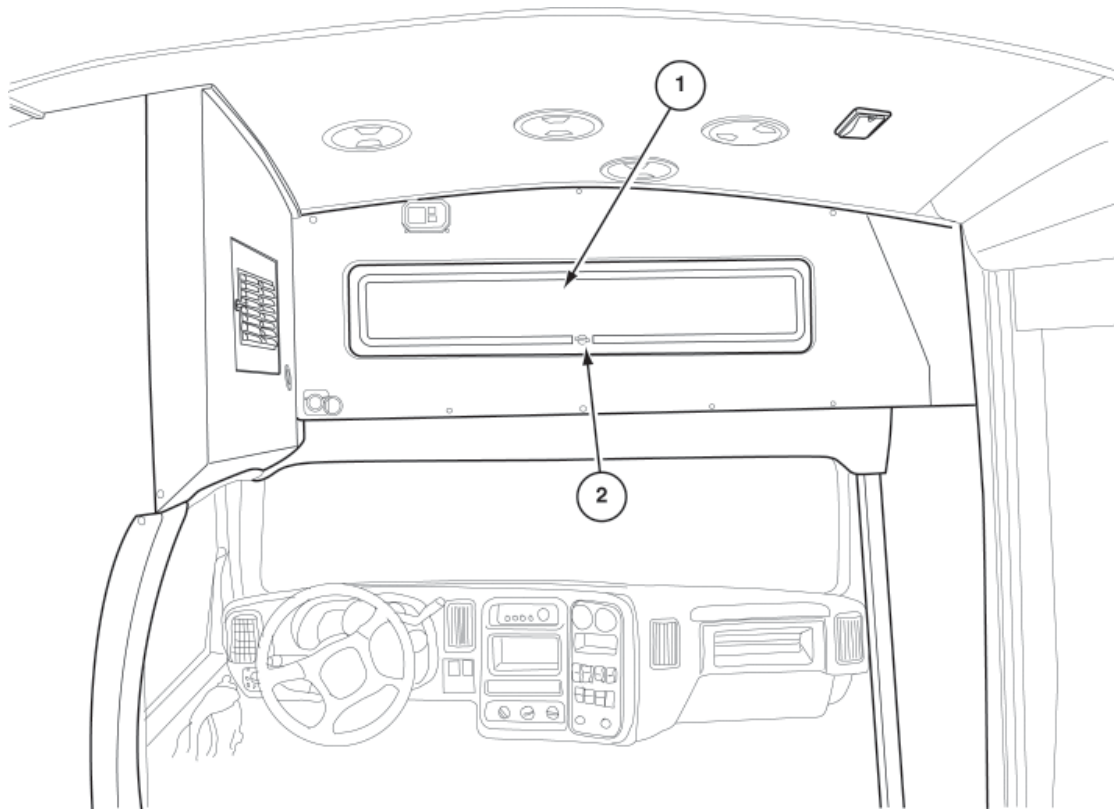
**6" x 16" interior mirror assembly
Cx0000072809**

<i>ITEM PART NO. DESCRIPTION</i>	<i>QTY</i>	<i>ITEM PART NO. DESCRIPTION</i>	<i>QTY</i>
01 6140479 MIRROR, INSTERIOR (6 x 16)	1		
02 6170102 STRAP, MOUNTING (4.5 x 14 x 4.5)	1		
N/S 8570706 SCREW (10 x 1-1/2 PAN QUAD ZINC)	5		



glove box & Destination sign Door - locking
ch000080008 / 0403577 / 0403576 / ch-000-900-0703I

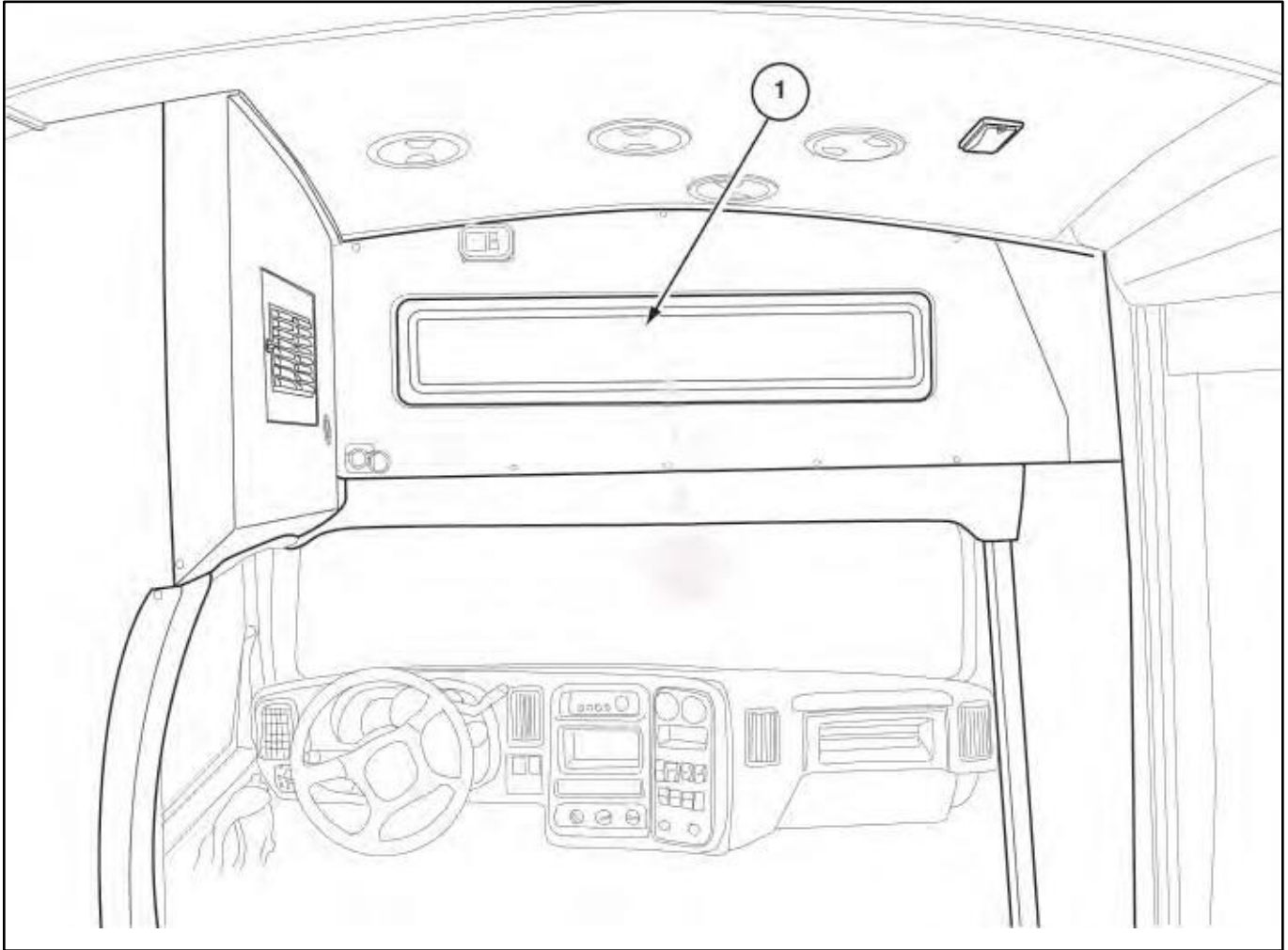
<i>ITEM PART NO. DESCRIPTION</i>	<i>QTY</i>	<i>ITEM PART NO. DESCRIPTION</i>	<i>QTY</i>
0403577 INSTALL, DEST SIGN DOOR - LOCKING		0403576 INSTALL, FRONT GLOVE BOX	
1 3370939 DOOR, DESTINATION SIGN	1	03 5340393 LOCK, KEYED ASSEMBLY	1
N/S 3370798 GUARD, DOOR EDGE	A/R	N/S 8570768 SCREW, (8 x 1½) PAN QUAD BLACK OXIDE 6	
N/S 4970476 HINGE, CONCEALED	3		
2 4941520 THUMB-LOCK, COMPLETE	2		
N/S 8570668 SPUR-WASHER (1-1/8")	3		
N/S 0375567 PLATE, CONCEALED HINGE BACKING	3		
N/S 8570756 SCREW (6 x 3/8) PAN QUAD BLACK OXIDE 6	6		



FRONT GLOVE BOX LOCKING

CR-000-900-0703L

<i>ITEM PART NO. DESCRIPTION</i>	<i>QTY</i>	<i>ITEM PART NO. DESCRIPTION</i>	<i>QTY</i>
1 3370939 DOOR, DESTINATION CHALLENGER	1		
2 5340393 LOCK, KEYED ASSEMBLY	1		



FRONT GLOVE BOX - NON LOCKING
CR-000-900-0703

<i>ITEM PART NO. DESCRIPTION</i>	<i>QTY</i>	<i>ITEM PART NO. DESCRIPTION</i>	<i>QTY</i>
01 0403649 Box, Front Glove, non-locking	1		

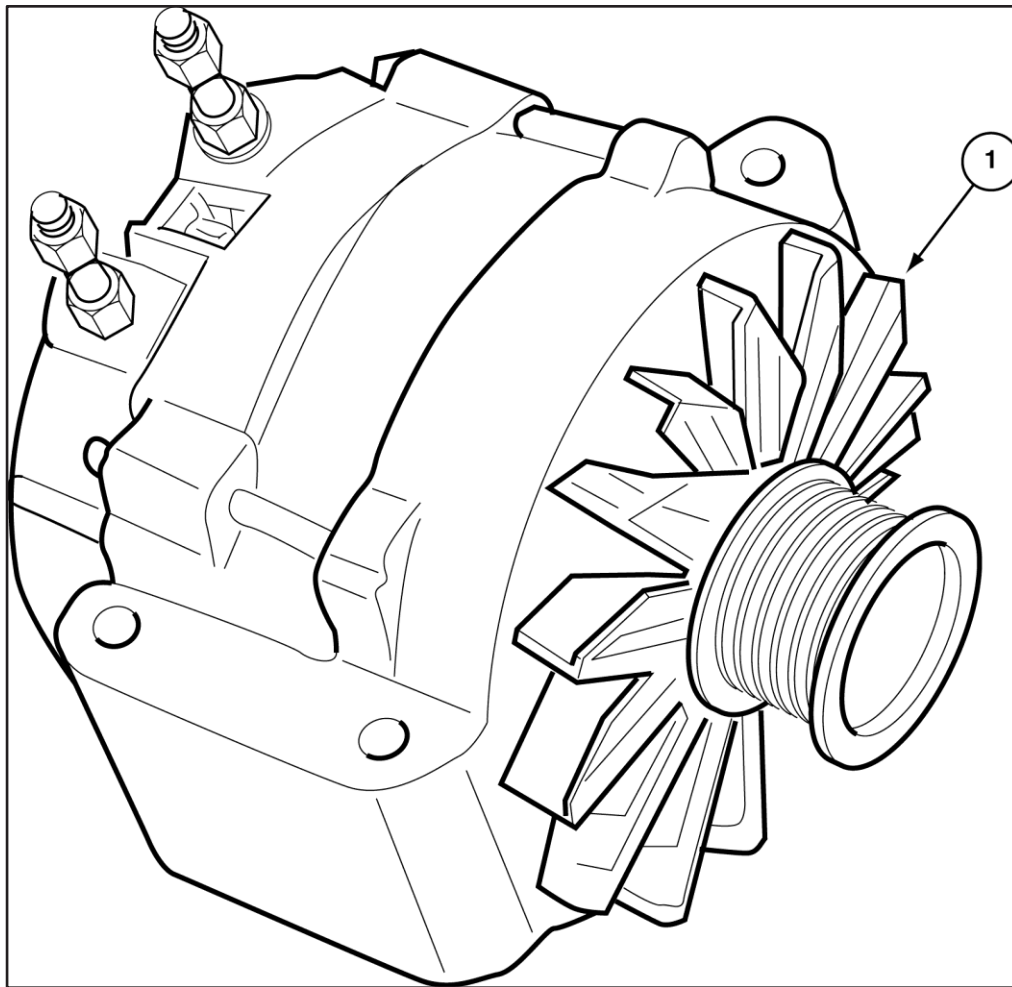


**CHAMPION
BUS, INC.**

Wholly owned subsidiary of Thor Industries, Inc.

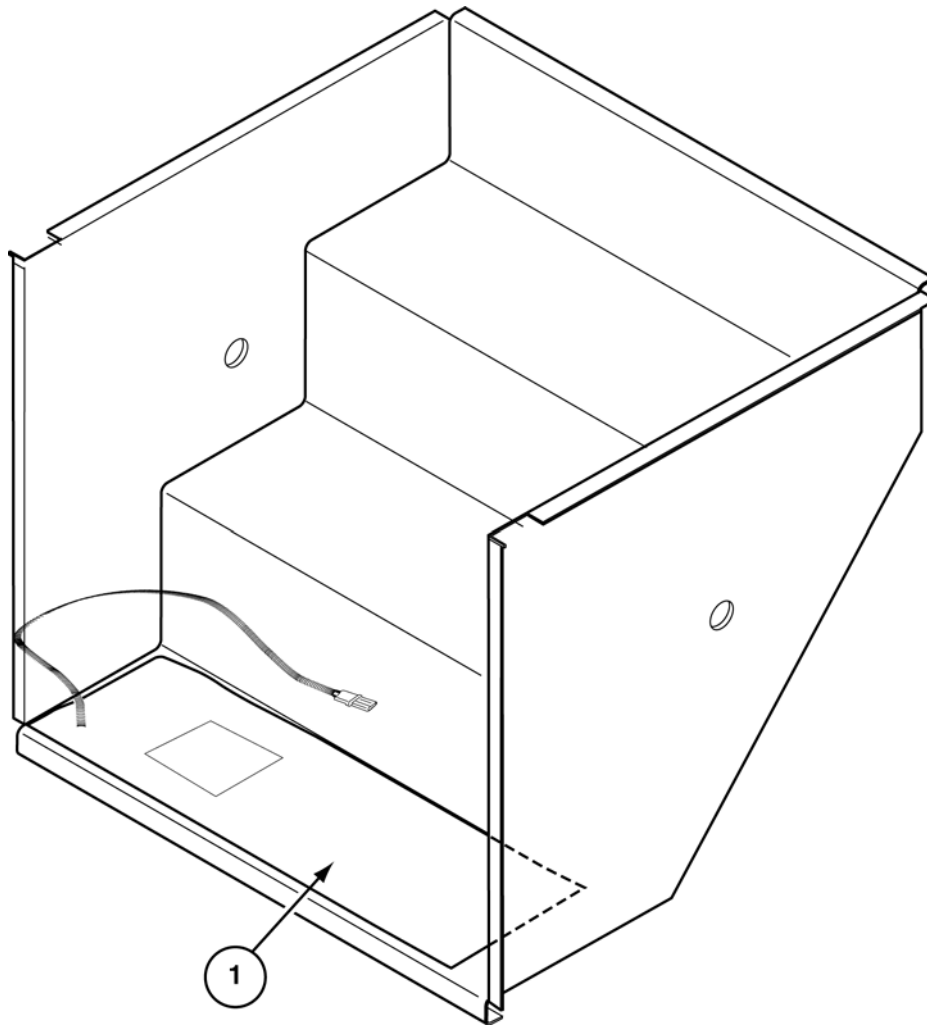
SECTION 4:

ELECTRICAL



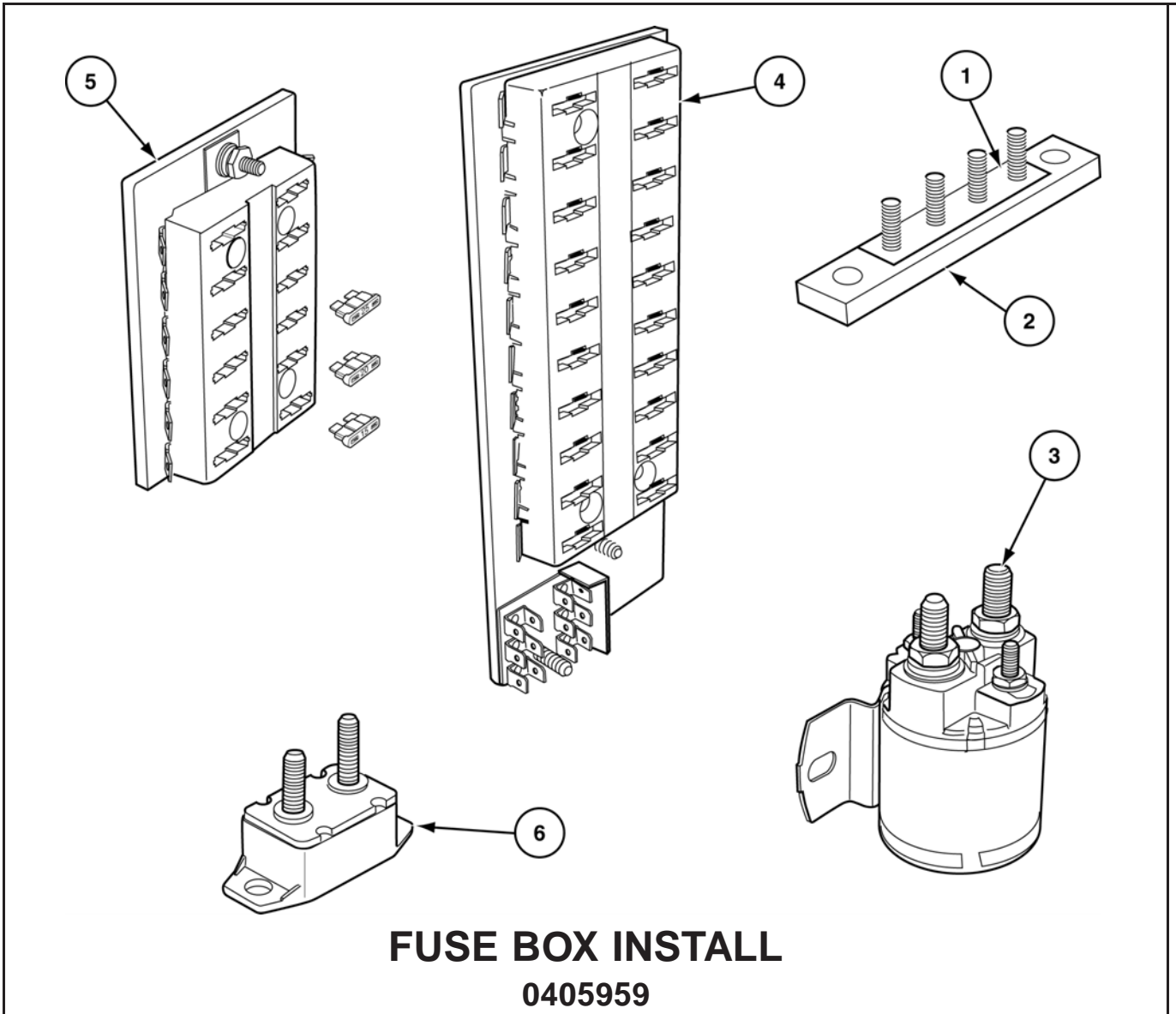
**alternator, Ford GaS
CH000FP20083**

<i>ITEM PART NO. DESCRIPTION</i>	<i>QTY</i>	<i>ITEM PART NO. DESCRIPTION</i>	<i>QTY</i>
01 3972129 Alternator, PX520R HO FORD V-10	1		



ELECTRIC HEATED ENTRY STEPS
CX-000-900-3121

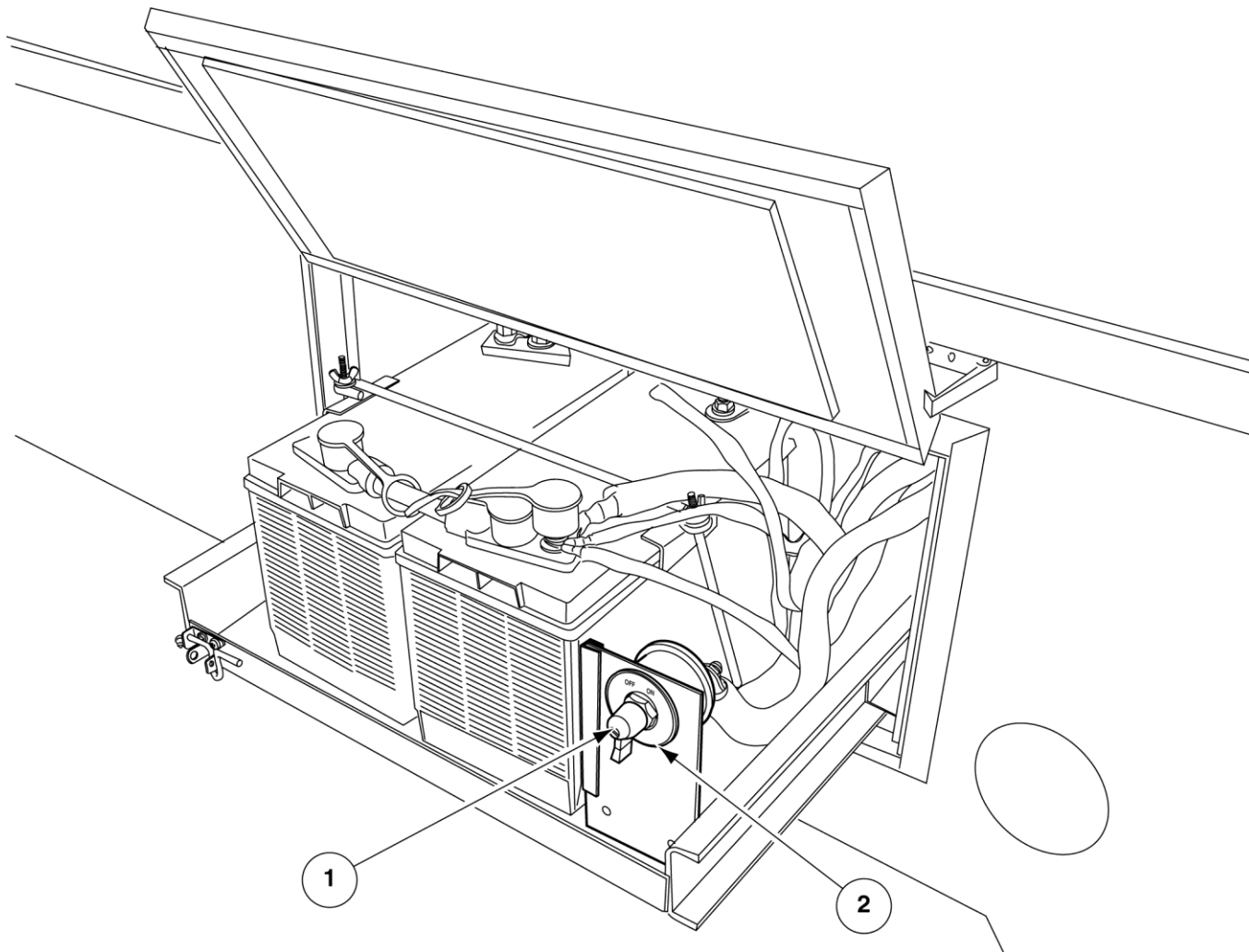
<i>ITEM</i>	<i>PARTNO.</i>	<i>DESCRIPTION</i>	<i>QTY</i>	<i>ITEM</i>	<i>PARTNO.</i>	<i>DESCRIPTION</i>	<i>QTY</i>
01	2143592	HEATER, ENTRANCE STEP(12-VOLT)	3				
N/S	0741058	INSULATION BOARD(1 x 48 x 96)	A/R				
N/S	3971290	BREAKER, 20 AMP	1				



FUSE BOX INSTALL

0405959

ITEM	PART NO.	DESCRIPTION	QTY	ITEM	PART NO.	DESCRIPTION	QTY
1	3971863	BLOCK, BUSS BAR 4 CIRCUIT	1				
2	3971862	BLOCK, TERMINAL 4 CIRCUIT	1				
3	3943859	SOLENOID, 4 POST	1				
4	3971974	BLOCK, FUSE (20 CIRCUIT USD)	1				
5	3970540	BLOCK, FUSE (12 CIRCUIT)	1				
6	3971280	BREAKER, 15 AMP RESET BREAKER	1				
N/S	0405958	PANEL, FUSE LAMINATED PLYWOOD ASSEMBLY	1				



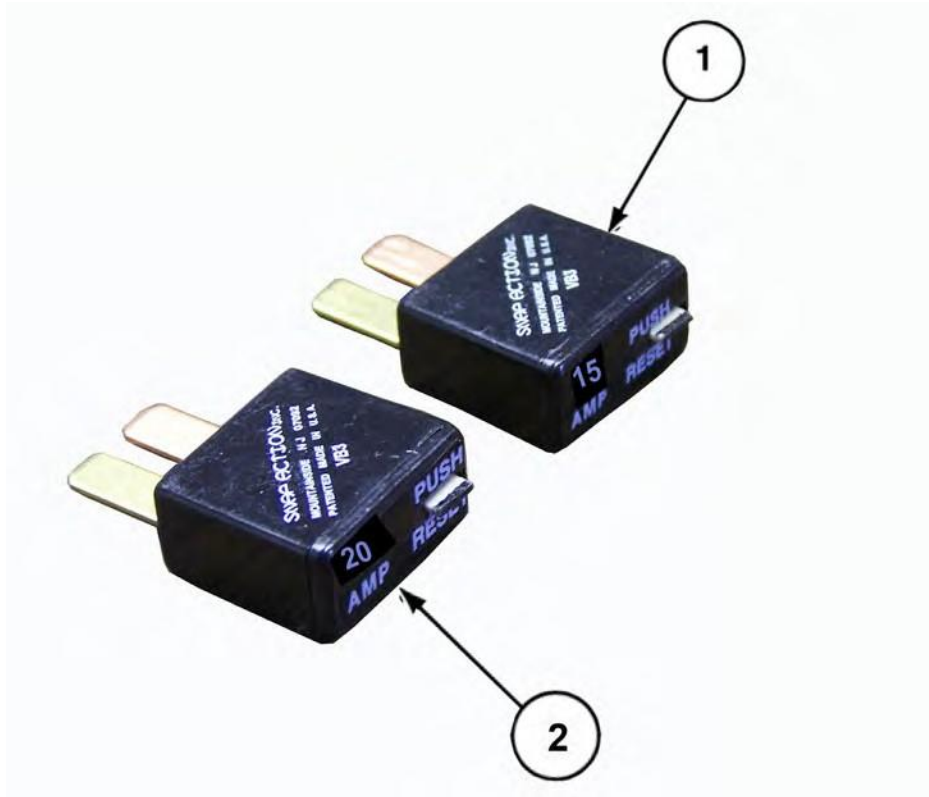
Master Disconnect swit ch, inst all
ch -000-900-2833s

<i>ITEM PART NO. DESCRIPTION</i>	<i>QTY</i>	<i>ITEM PART NO. DESCRIPTION</i>	<i>QTY</i>
1 3973353 Switch, Master Disconnect Long Shaft	1		
2 8942609 Face Plate, Disonnect Switch	1		



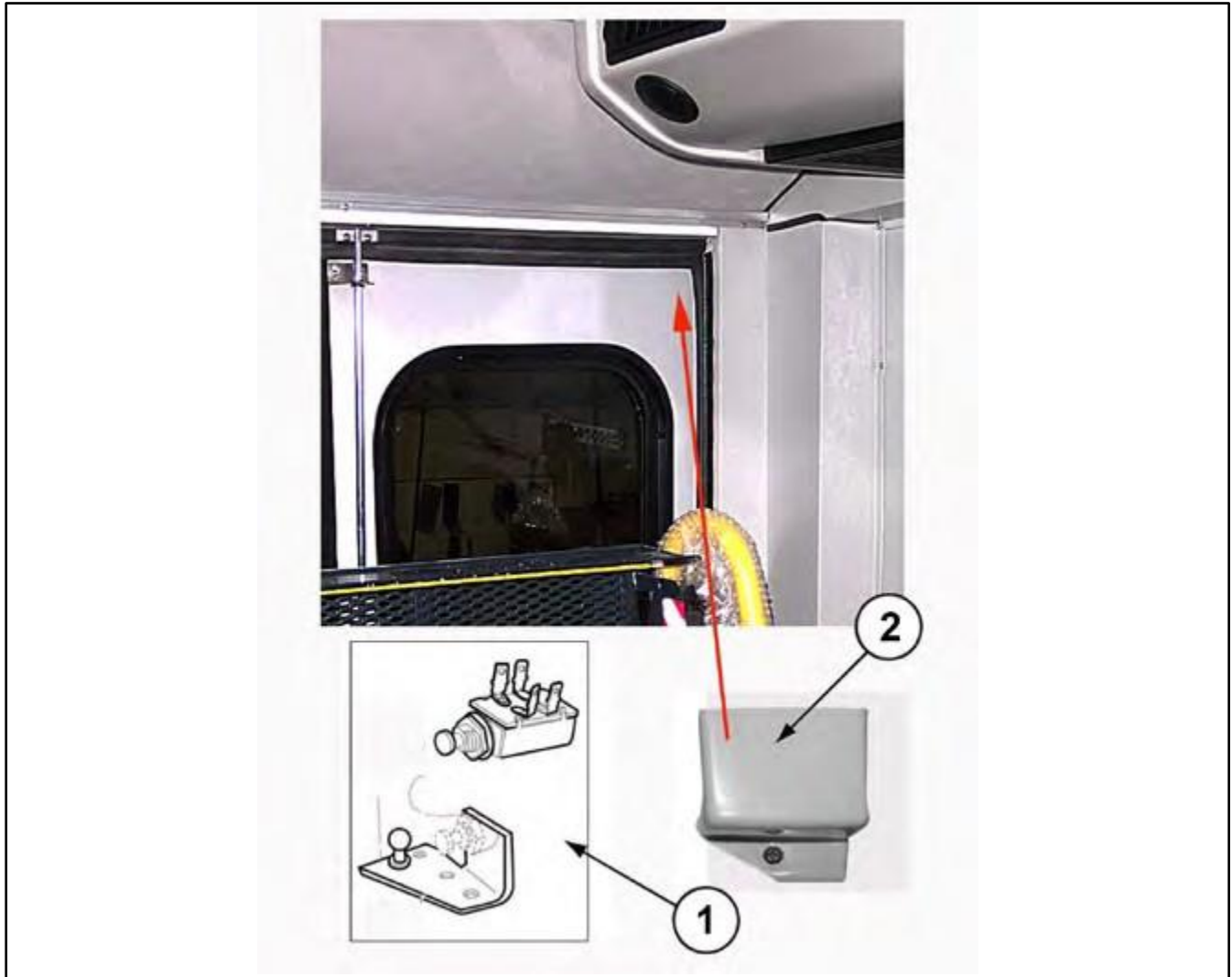
circuit breakers ch/c r
ch00fp23161 / ch-000-900-3161

<i>ITEM PART NO. DESCRIPTION</i>	<i>QTY</i>	<i>ITEM PART NO. DESCRIPTION</i>	<i>QTY</i>
01 3970472 Breaker, 15 AMP 1771-1520	8		
02 3971290 Breaker, 20 AMP 1771-2028	1		



BREAKERS, MANUAL RESET 0410569

<i>ITEM PART NO. DESCRIPTION</i>	<i>QTY</i>	<i>ITEM PART NO. DESCRIPTION</i>	<i>QTY</i>
01 3972094 BREAKER, 15 AMP MANUAL RESET	6		
02 3972095 BREAKER, 20AMP MANUAL RESET	6		
N/S 3973921 BLOCK, FUSE NO GROUND	1		
N/S 0140293 DIODE, POWER 25 AMP MB	2		



DOOR AJAR MICRO SWITCH 0410925

<i>ITEM</i>	<i>PART NO.</i>	<i>DESCRIPTION</i>	<i>QTY</i>	<i>ITEM</i>	<i>PART NO.</i>	<i>DESCRIPTION</i>	<i>QTY</i>
00	3971963	SWITCH, JAMB DPST NORM CLOSED	1				
01	3371674	COVER, LIFT DOOR SWITCH GRAY	1				
NS	3944485	TERMINAL, F INS FEM QK DISC 16-14 .2	2				
NS	3945623	LOOM, 1/4" SPLIT PLASTIC HI-TEMP	60				



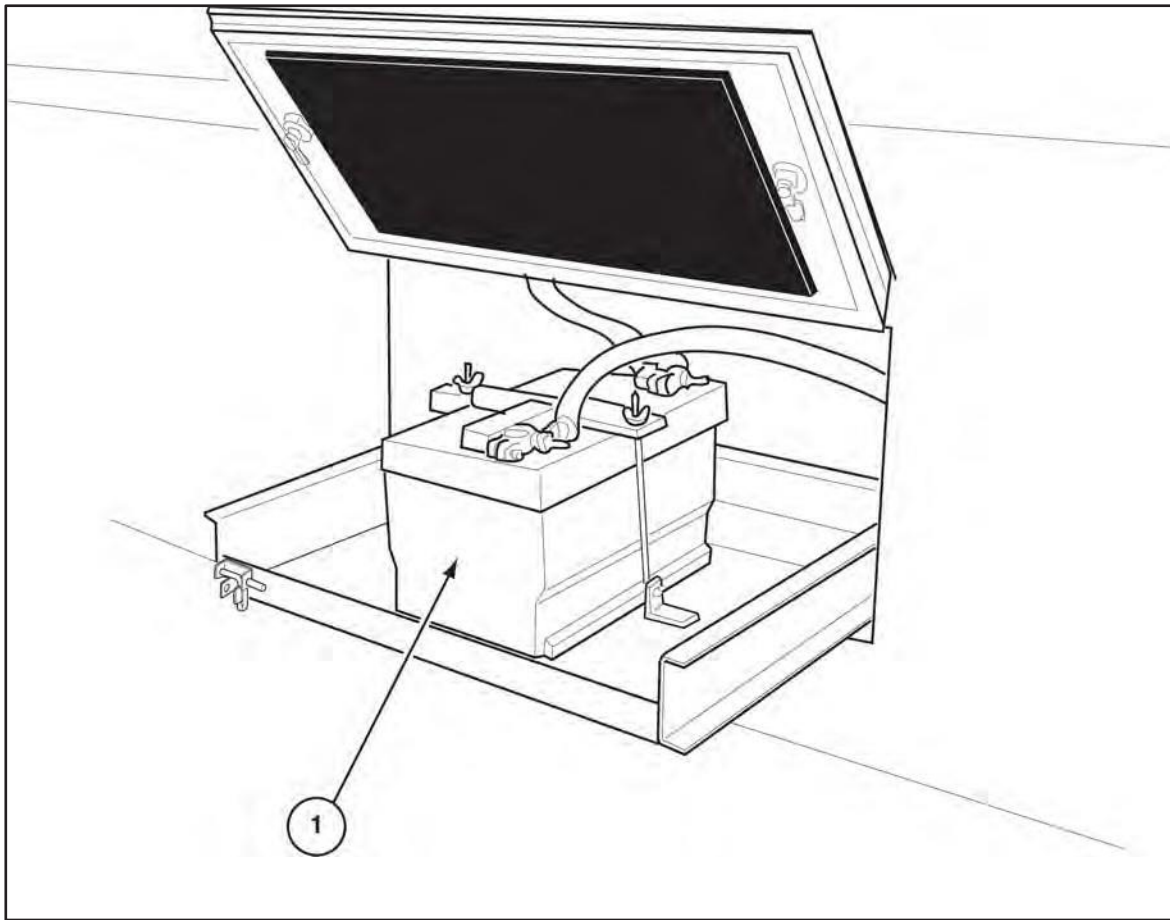
keyed entry door switch
0421732 - 3975909

<i>ITEM</i>	<i>PART NO.</i>	<i>DESCRIPTION</i>	<i>QTY</i>	<i>ITEM</i>	<i>PART NO.</i>	<i>DESCRIPTION</i>	<i>QTY</i>
01	3975909	Switch, Keyed Entry Door	AR				



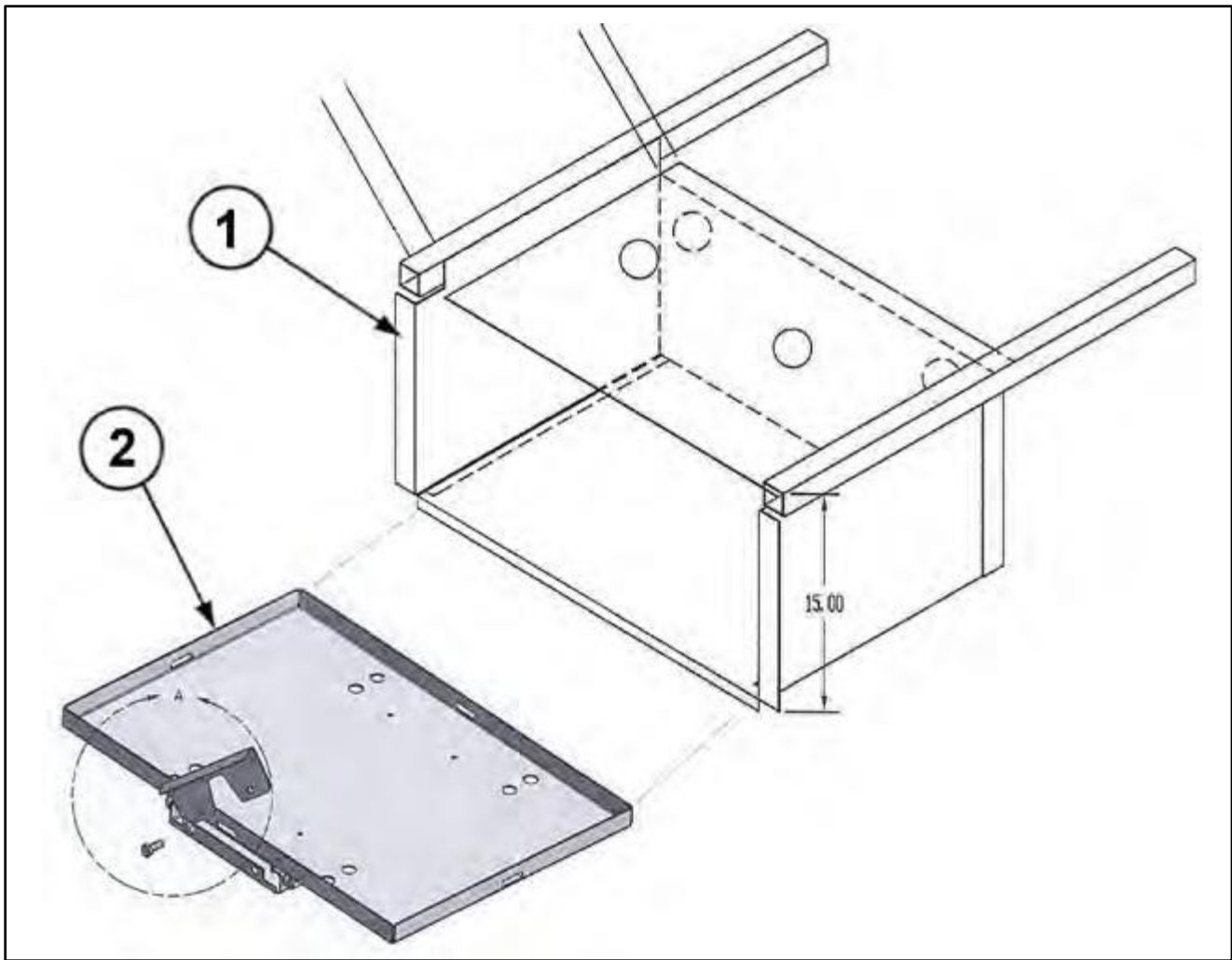
LIGHTED Door WAR NING BUZZER
CX0000023096

<i>ITEM</i>	<i>PART NO.</i>	<i>DESCRIPTION</i>	<i>QTY</i>	<i>ITEM</i>	<i>PART NO.</i>	<i>DESCRIPTION</i>	<i>QTY</i>
1	3973085	LIGHT, BUZZ (NO ENGRAVING)	1				
2	3974501	LIGHT, INDICATOR (GREEN)	1				



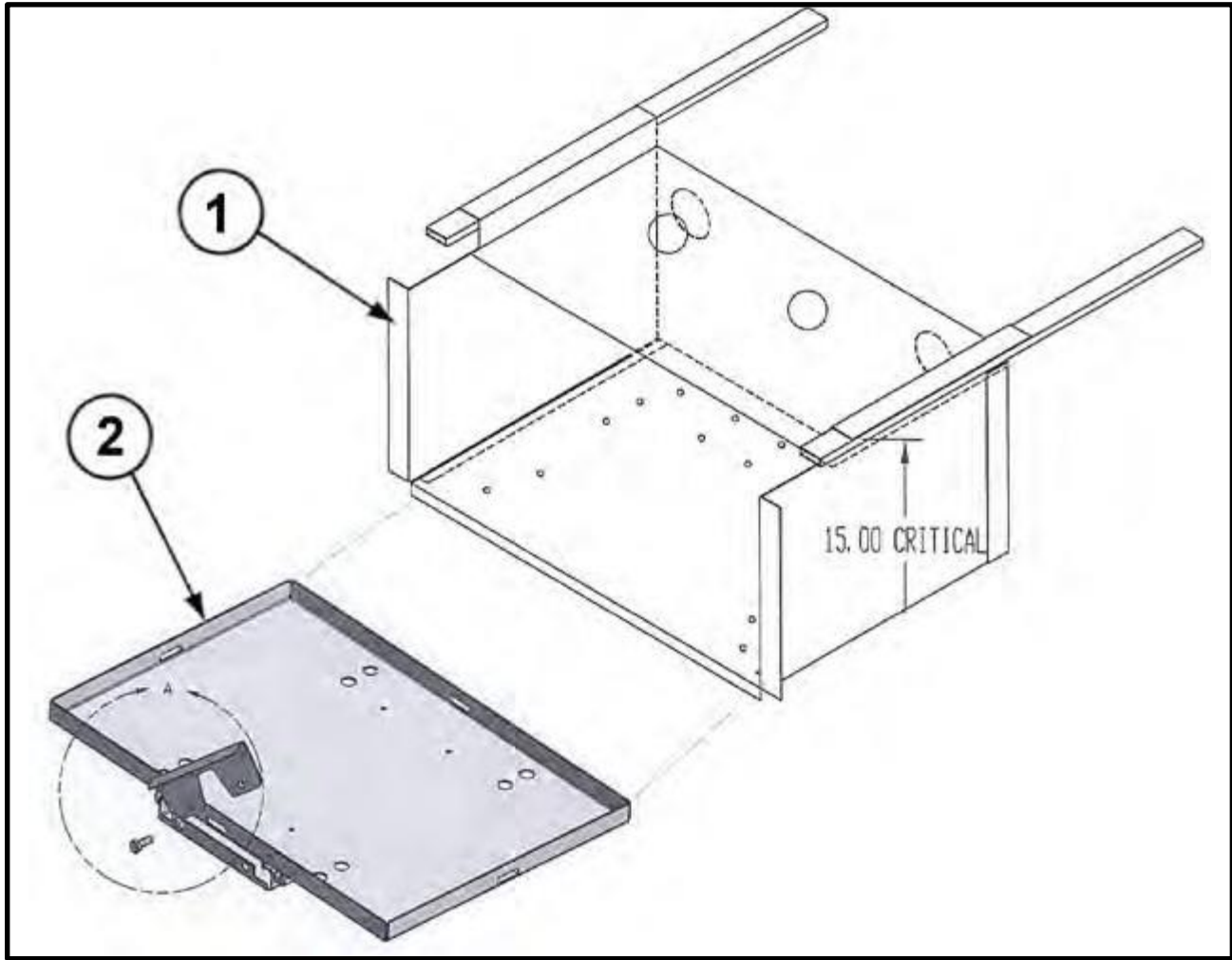
**battery 8d CH/Cr assembly
CX0000022967**

<i>ITEM PART NO. DESCRIPTION</i>	<i>QTY</i>	<i>ITEM PART NO. DESCRIPTION</i>	<i>QTY</i>
01 3945813 Battery, 8D	1		
NS 3946828 Loom, 1" ID Nylon Split Hi Temp	1		
NS 3972411 Terminal, Battery End Neg.	1		
NS 3972417 Terminal, Battery End Pos.	1		



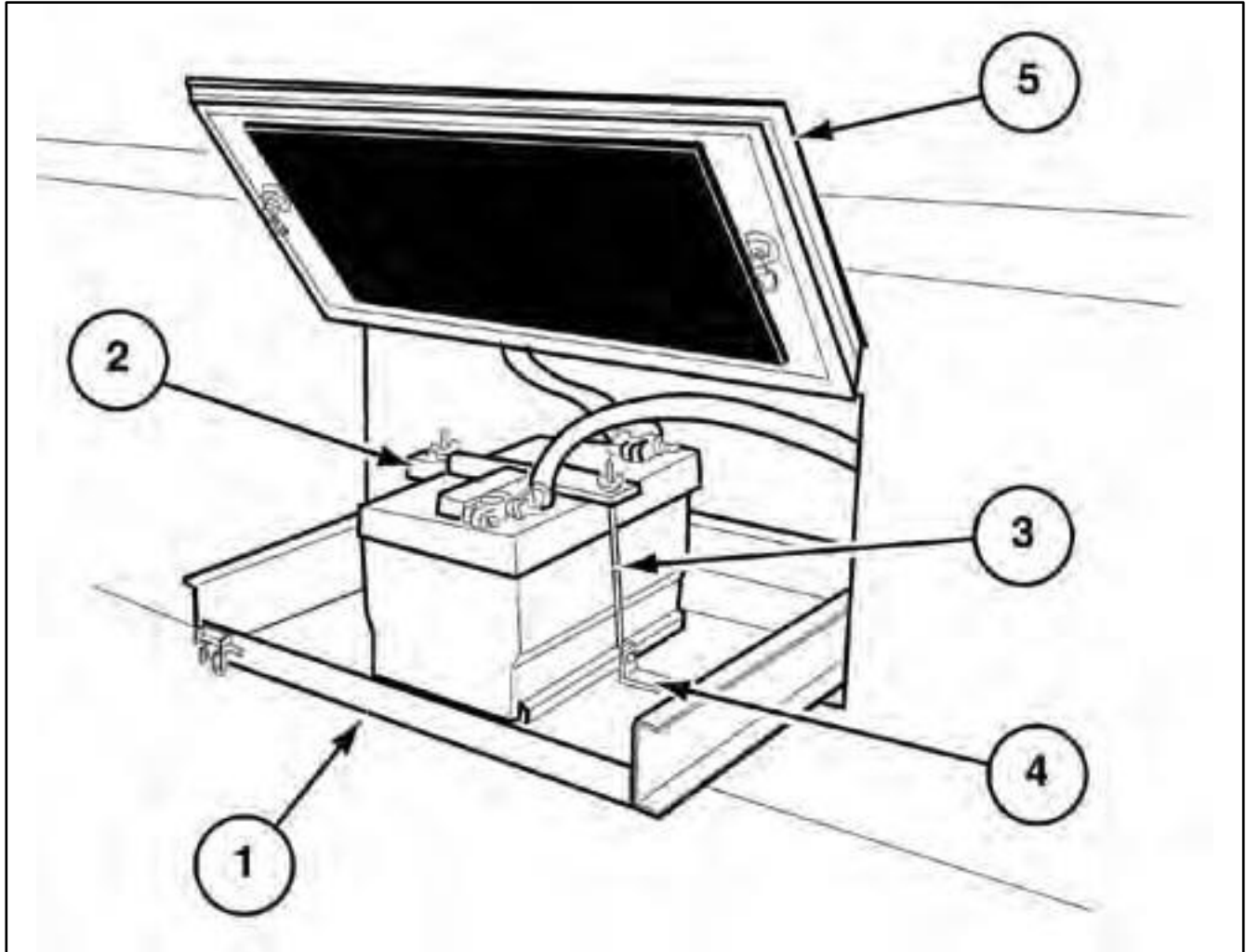
ENCLOSED battery box w/ tray S/S
0419136-PDOT / 0418307

ITEM	PART NO.	DESCRIPTION	QTY	ITEM	PART NO.	DESCRIPTION	QTY
		0419136-PDOT BOX, BATTERY S/S ENCLOSED ASSY				0418307 INSTALL, BATTERY TRAY S/S PT-2	
01	0379394	BOX, BATTERY 15 x 26 S/S ENCLOSED	1	02	0379088	TRAY, BATTERY S/S PT-2 SS	1
NS	5370598	DOOR, BATTERY (13.25 x 25.75)	1		8571504	PIN, CLEVIS 3/16 x 19/32 W/29/64" LE	1
NS	4941688	HOLDER, DOOR 1"(Picture does not represent part)	1		8571505	PIN, HITCH CLIP HP223	1
NS	3371421	COVER, SCREW ELIXIR WHITE (200 PC BOX)	1.5		8570384	BOLT, HEX 1/4-20 x 1" S/S	4
NS	8571562	FASTENER, 3/16 x .040-.354 KLAMPTITE	2		8570915	WASHER, FLAT 1/4" STAINLESS STEEL	8
NS	0375267	PLATE, BATTERY ISOLATOR SUPPORT	1		8571502	NUT, HEX 1/4-20 NYLOC STAINLESS STEEL	4
NS	3972411	TERMINAL, BATTERY END NEG. 23399-3	2				
NS	3972417	TERMINAL, BATTERY END POS. 23399-4	2				



ENCLOSED battery box w/ tray S/S
0419167-PDOT / 0418307

ITEM	PART NO.	DESCRIPTION	QTY	ITEM	PART NO.	DESCRIPTION	QTY
		0419167-PDOT BOX, BATTERY S/S ENCLOSED ASSY FL				0418307 INSTALL, BATTERY TRAY S/S PT-2	
01	0379395	BOX, BATTERY 15 x 26 S/S ENCLOSED	1	02	0379088	TRAY, BATTERY S/S PT-2 SS	1
NS	5370598	DOOR, BATTERY (13.25 x 25.75)	1		8571504	PIN, CLEVIS 3/16 x 19/32 W/29/64" LE	1
NS	4941688	HOLDER, DOOR 1"(Picture does not represent part)	1		8571505	PIN, HITCH CLIP HP223	1
NS	3371421	COVER, SCREW ELIXIR WHITE (200 PC BOX)	1.5		8570384	BOLT, HEX 1/4-20 x 1" S/S	4
NS	8571562	FASTENER, 3/16 x .040-.354 KLAMPTITE	2		8570915	WASHER, FLAT 1/4" STAINLESS STEEL	8
NS	0375267	PLATE, BATTERY ISOLATOR SUPPORT	1		8571502	NUT, HEX 1/4-20 NYLOC STAINLESS STEEL	4

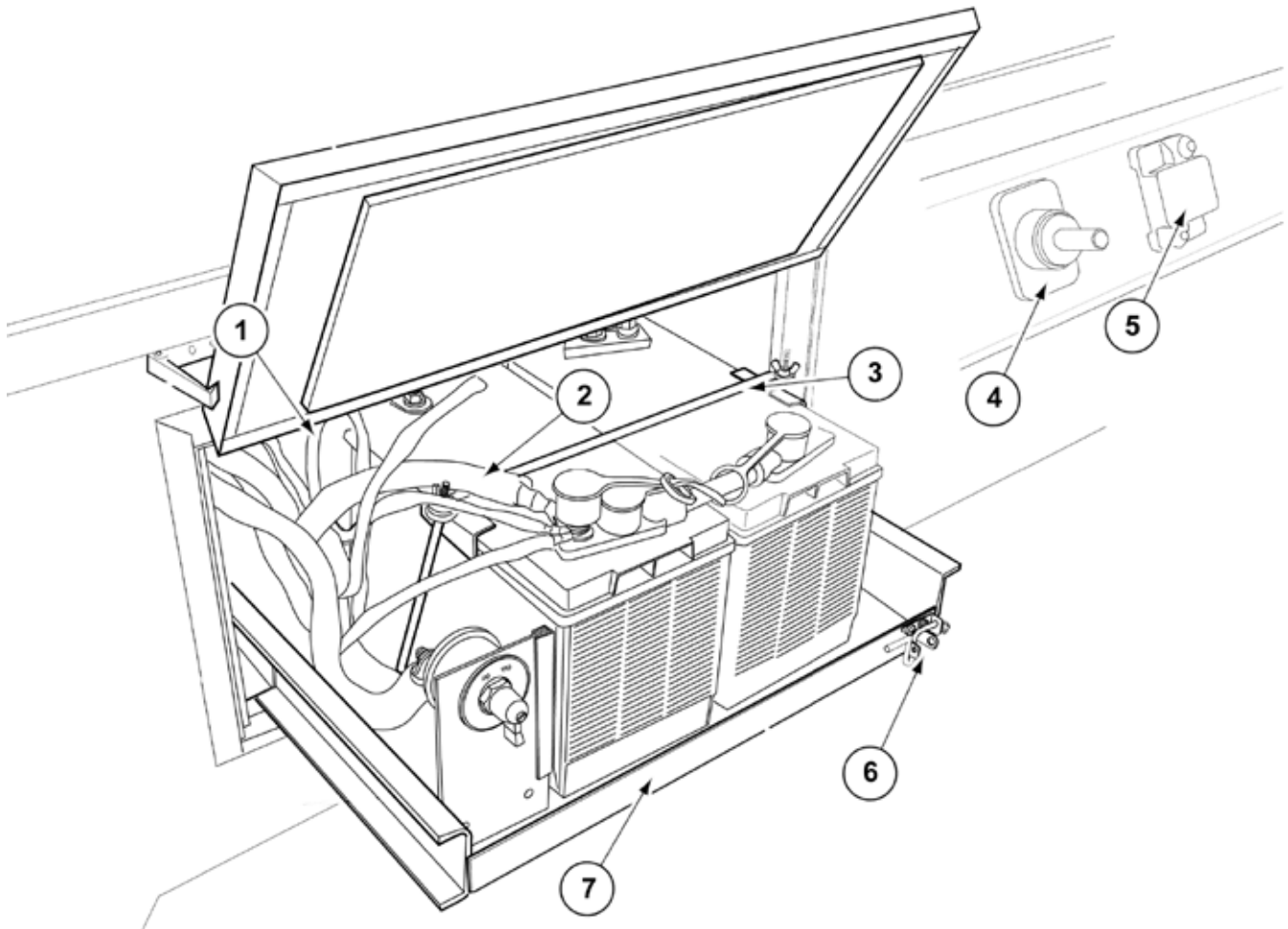


Battery Box & tray 17 x 52

0407816 (rev-B) / 0417806

ITEM PART NO. DESCRIPTION	QTY	ITEM PART NO. DESCRIPTION	QTY
0407816 Tray, Battery GM/Ford CH Mount Gas		0417806 Hold Down, Battery W/Carriage Bolts	
01 0376577 Bottom, Battery GT Gas CH Mount	1	02 8571501 Bolt, Carriage 1/4 x 10"	2
3974939 Battery, Group 24 800CCA	1	03 8571503 Rod, Threaded 1/4-20 x 36" Zinc	1
8570202 Holddown, Battery 1/4-20 x 9	2	04 0379090 Bracket, Battery Tiedown W/Carriage	2
3971310 Cable, Battery 4GA SXL Black	5	NS 0170609 Line, Air Brake 3/8" Red	1.5
3972411 Terminal, Battery End Neg. 23399-3	2	NS 8570866 Nut, Wing 1/4-20	6
3972417 Terminal, Battery End Pos. 23399-4	2	NS 8543118 Washer, Lock 1/4" Plated	6
		NS 8571249 Washer, Flat 1/4 GR8	6
		NS 8570858 Nut, Hex GR8 1/4-20	4
		05 5370640 Door, Battery 15.25 x 51.75	1

NOTE: There are actually 2 Batteries in this battery tray.



Battery Box w/ kwikee tray

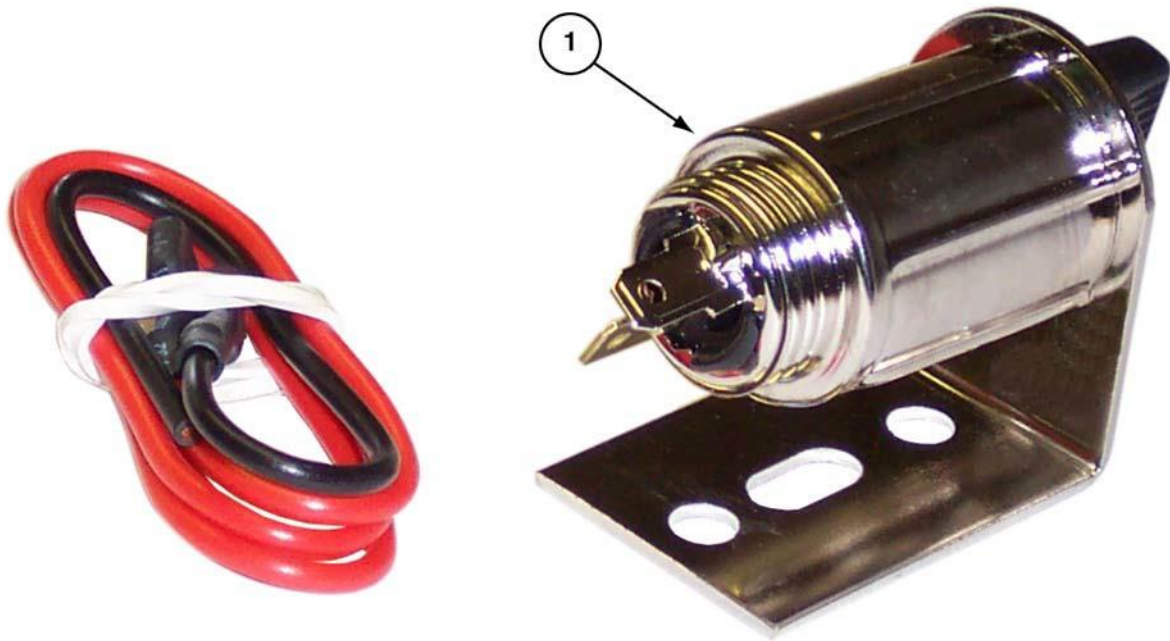
Cx000FP23234 - Cx000FU23234

<i>ITEM PART NO. DESCRIPTION</i>	<i>QTY</i>	<i>ITEM PART NO. DESCRIPTION</i>	<i>QTY</i>
CX000FU23234		Install Battery Box W/Kwikee Tray	
1 3971324	A/R	Cable, Battery 2GA Black SGX	
2 3971311	A/R	Cable, Battery 4ga Red	
3 0377175	2	Strap, Battery Tie Down	
4 3940905	3	Block, Terminal Single Pole	
5 3971283	1	Breaker, 80 amp Automatic Reset	
6 4970517	2	Latch, Sliding Bolt S/S	
07 0410429	1	Box, Battery W/Kwikee Tray	
0376557	1	Tray, Battery Kwikee	
0377419	1	Box, Battery I-II-IV 2002 Assy	
5370598	1	Door, Battery 13.25 x 25.75	
4941688	1	Holder, Door 1"	
NS 0350967	1	Bracket, Battery Tie-Down	



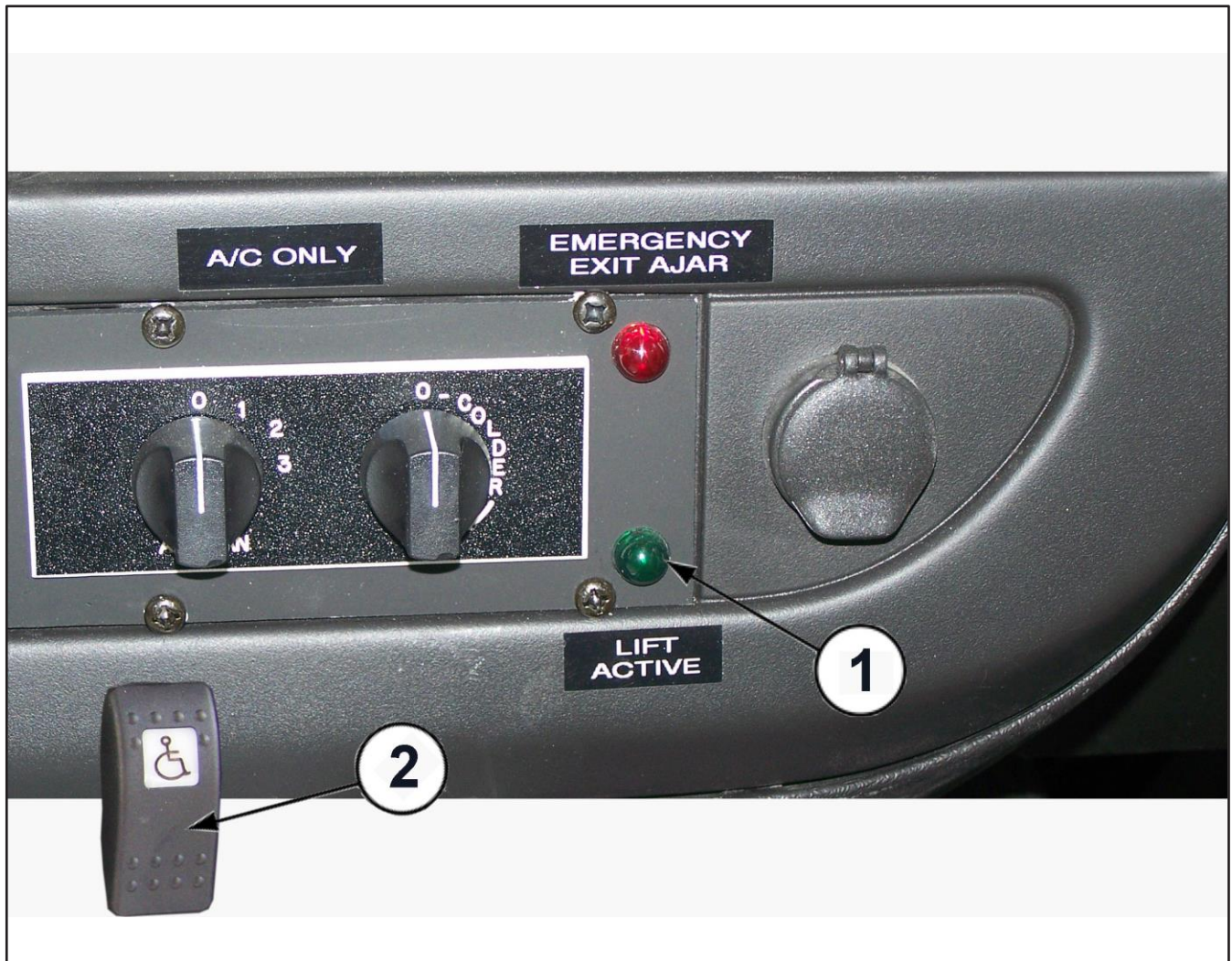
child alarm check-mate safety system 0410926

<u>ITEM</u> <u>PART NO.</u> <u>DESCRIPTION</u>	<u>QTY</u>	<u>ITEM</u> <u>PART NO.</u> <u>DESCRIPTION</u>	<u>QTY</u>
01 3973055 Alarm, Child Check-Mate Safety System	1		
0410925 Install, Micro-Switch Door Ajar			
NS 3971963 Switch, Jamb DPST Norm Closed	1		
NS 3944485 Terminal, F INS Fem QK Disc 16-14	2		
NS 3371674 Cover, Lift Door Switch Gray	1		



AUXILIARY 12-VOLT POWER ACCESSORY SUPPLY
CX0000020048

<i>ITEM</i>	<i>PARTNO.</i>	<i>DESCRIPTION</i>	<i>QTY</i>	<i>ITEM</i>	<i>PARTNO.</i>	<i>DESCRIPTION</i>	<i>QTY</i>
01	3972195	JACK 12V POWERSUPPLY	1				



**LIFT MASTER SWITCH W/INDICATOR LIGHT
CX0000024037 / 0401982 SMART**

<i>ITEM PART NO. DESCRIPTION</i>	<i>QTY</i>	<i>ITEM PART NO. DESCRIPTION</i>	<i>QTY</i>
1 3974501 Light, Indicator Green	1		
2 3973881 Switch, Carling ON/OFF (Lift)	1		
<i>(To see actual location of Lift Master Switch, see previous page.)</i>			
NS 3947066 Connector, RT 10-4848	1		
NS 3970183 Receptical, Fast-On #187	4		

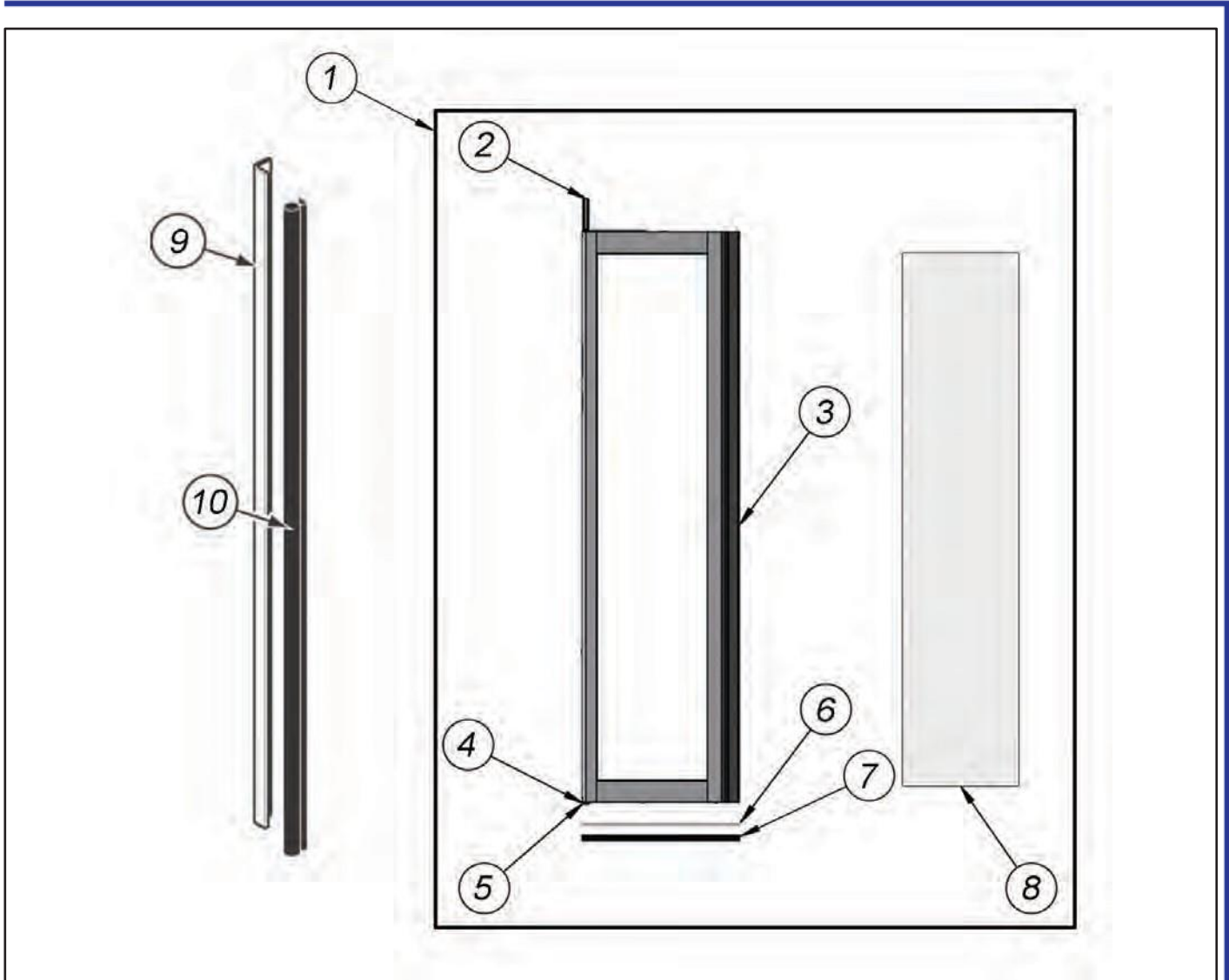


**CHAMPION
BUS, INC.**

Wholly owned subsidiary of Thor Industries, Inc.

SECTION 5:

DOORS



Entrance Door Leaf

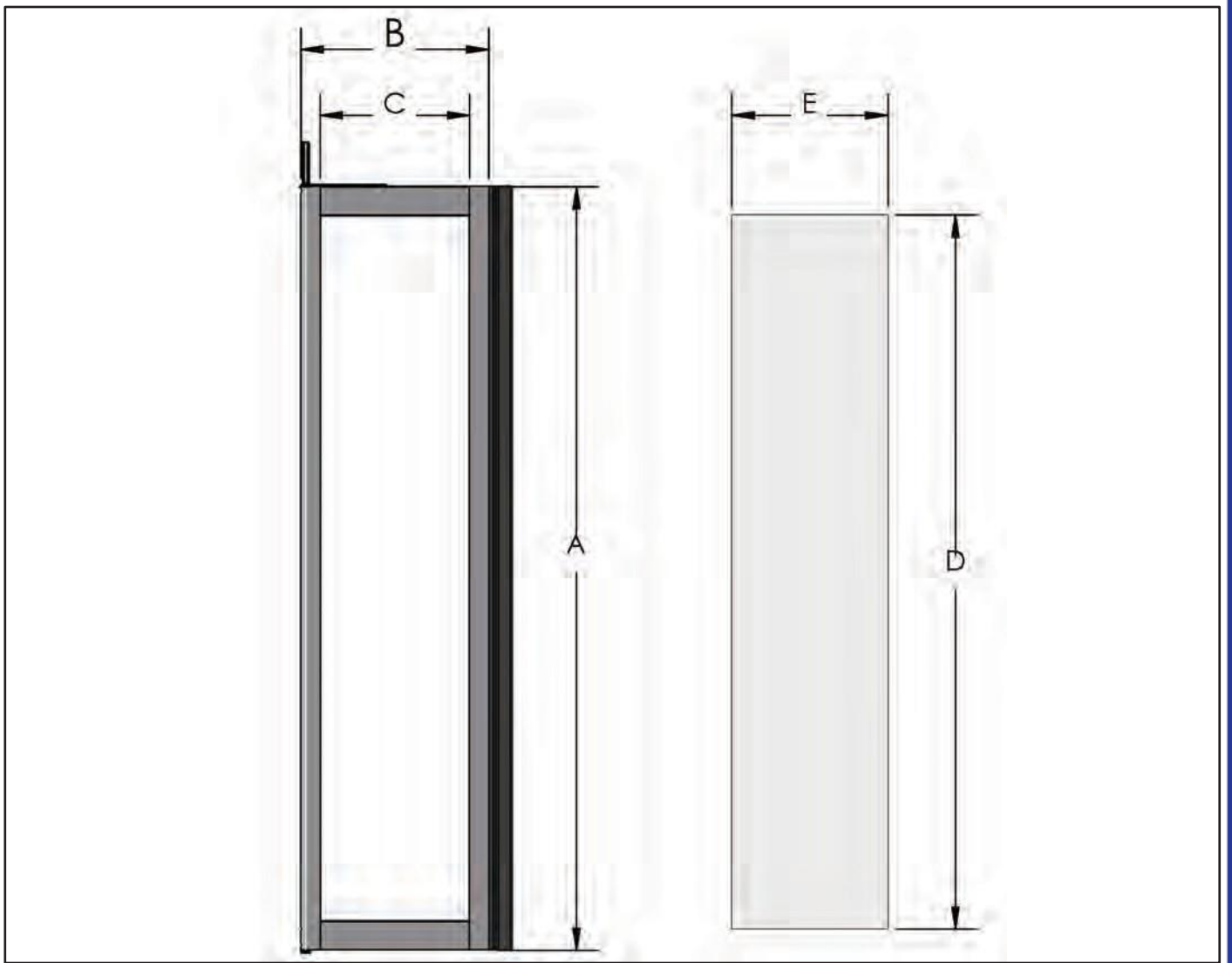
All Model, All Years Bi-Fold Doors

Item	Part Number	Description	QTY	Item	Part Number	Description	QTY
01		Call Your Parts and Service Department for Details	2				
02		Call Your Parts and Service Department for Details	2				
03		Call Your Parts and Service Department for Details	2				
04		Call Your Parts and Service Department for Details	2				
05	0373898*	PIVOT,LOWER DOOR	1				
06	5370616*	HOLDER,ENTRANCE DOOR BRUSH 10'	1				
07	5370615*	SEAL,ENTRANCE DOOR BRUSH 10'	1				
08		Call Your Parts and Service Department for Details	1				
09	4540142	ANGLE,ALUMINUM 1 X 1.5 X 12'	2				
10	3351566	SEAL,TRIM LOK LARGE BULB	A/R				
NS	0378789**	BRACKET,DOG BONE 30" DOOR	1				
NS	0378857**	BRACKET,DOG BONE 40" DOOR	1				

***Not included with Item Number 1**
**** Manual Door Only, One on Front Leaf**

Also Found in Assemblies:

Rev. 05/26/10

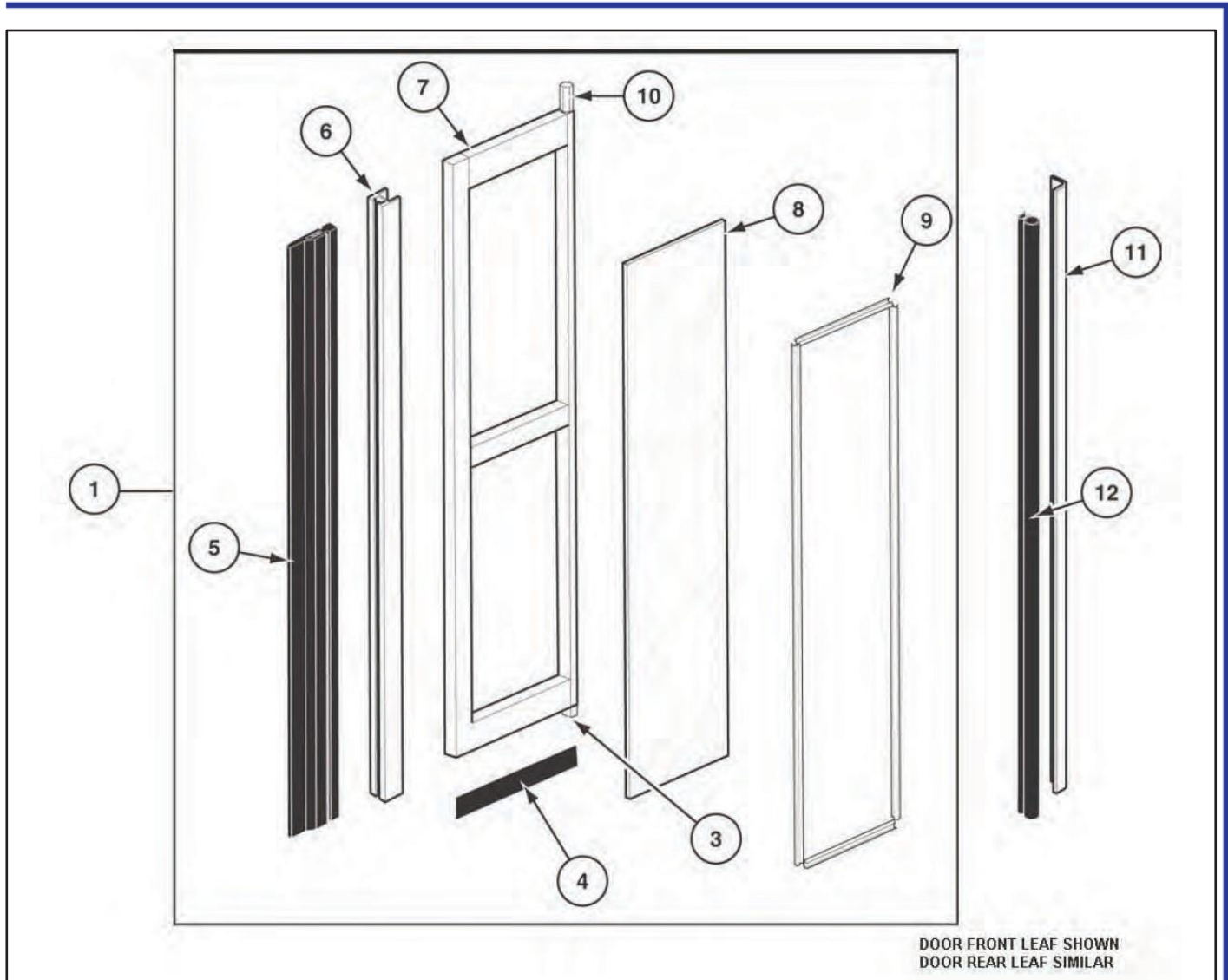


Entrance Door Leaf

All Model, All Years Bi-Fold Doors

Part Number	Length (A)	Width (B)
32" Door Assemblies		
5370363	75.75	14.75
5370619	80.75	14.75
3570641	86.375	14.75
5370621	90.75	14.75
5370627	96.375	14.75
38.75" Door Assemblies		
5370645	76	18.125
42" Door Assemblies		
5370620	80.75	19.75
5370629	81.5	19.75
5370625	86.375	19.75
5370622	90.75	19.75
5370626	96.375	19.75
5370648	95.333*	18.625*
46" Door Assemblies		
1016354	80.75	21.75
1015931	85	21.75

Rev. 05/26/10



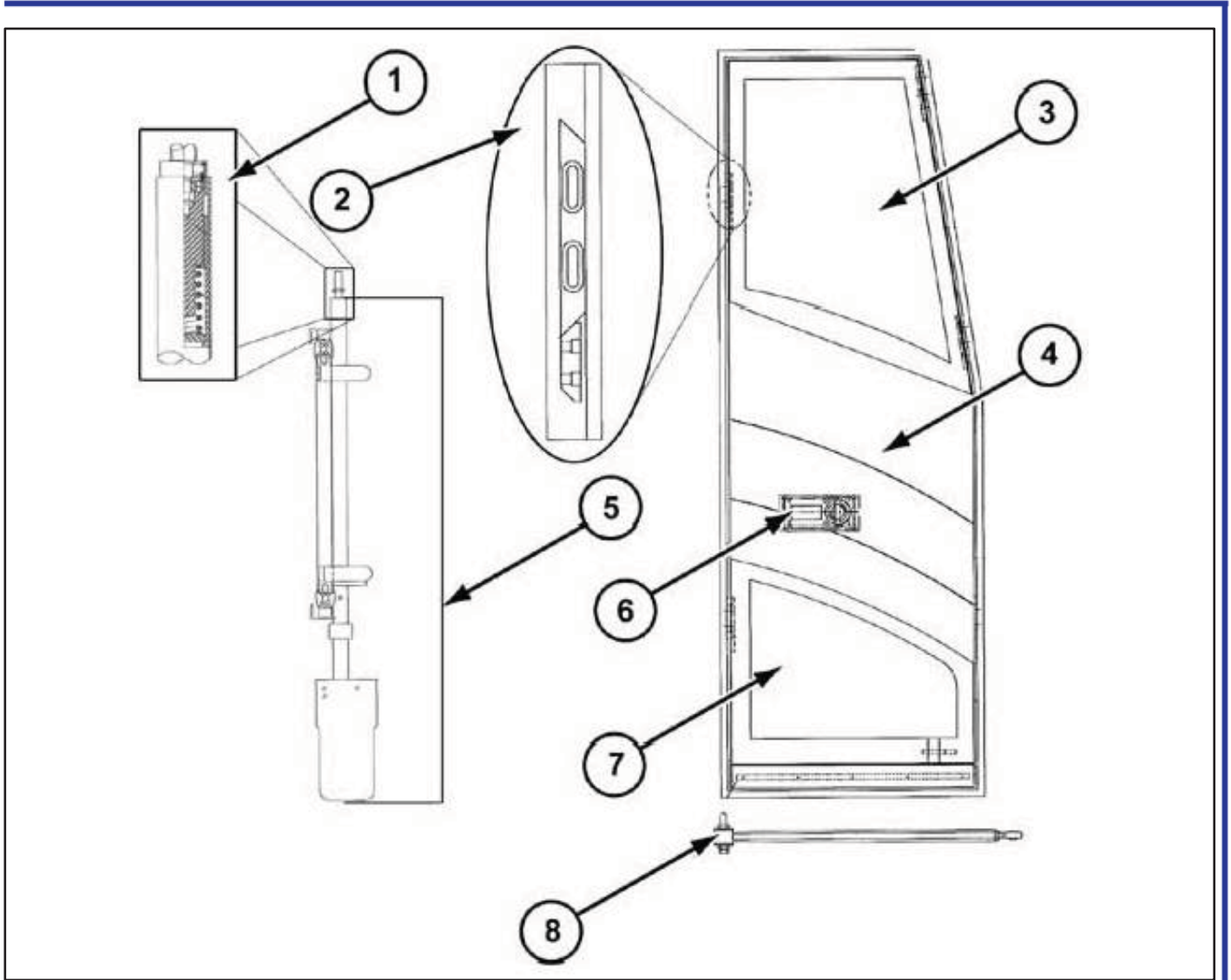
Entrance Door Leaf

All Model, Champion Made Replacement Parts Only

Item	Part Number	Description	QTY	Item	Part Number	Description	QTY
01		Not available as assembly. See previous pages					
03	0373898	Pivot, Lower Door					
04	0570178	Rubber, .25 x 3 x 25' RL Entry Door					
04	5370252						
05	5370180	Seal, Bi-Fold Door 60 Duro					
06	3371252	Extrusion,H Entry Door					
07	4570132	TUBE,.125"X 1"X 1"X 8' ALUMINUM RD					
	4570133	TUBE,.125 X 1"X 2"X 8' ALUMINUM RD					
08	CALL	Glass					
09	4570116	Extrusion,ENTR Door Glass					
10	0371807	Pin,Top Entry Door					
11	4540142	Angle, Aluminum 1 x 1.5 x 12					
12	3351566	Seal,Trim Lok Large Bulb					
NS	3371423	Bushing.Door Pivor .25" Thick					
NS	8970394	Tape,Window Sealex 1/4 x 1/2					
NS	8970414	Tape,Foam .5 x .75 x 25'					

Also Found in Assemblies:

Rev. 05/26/10



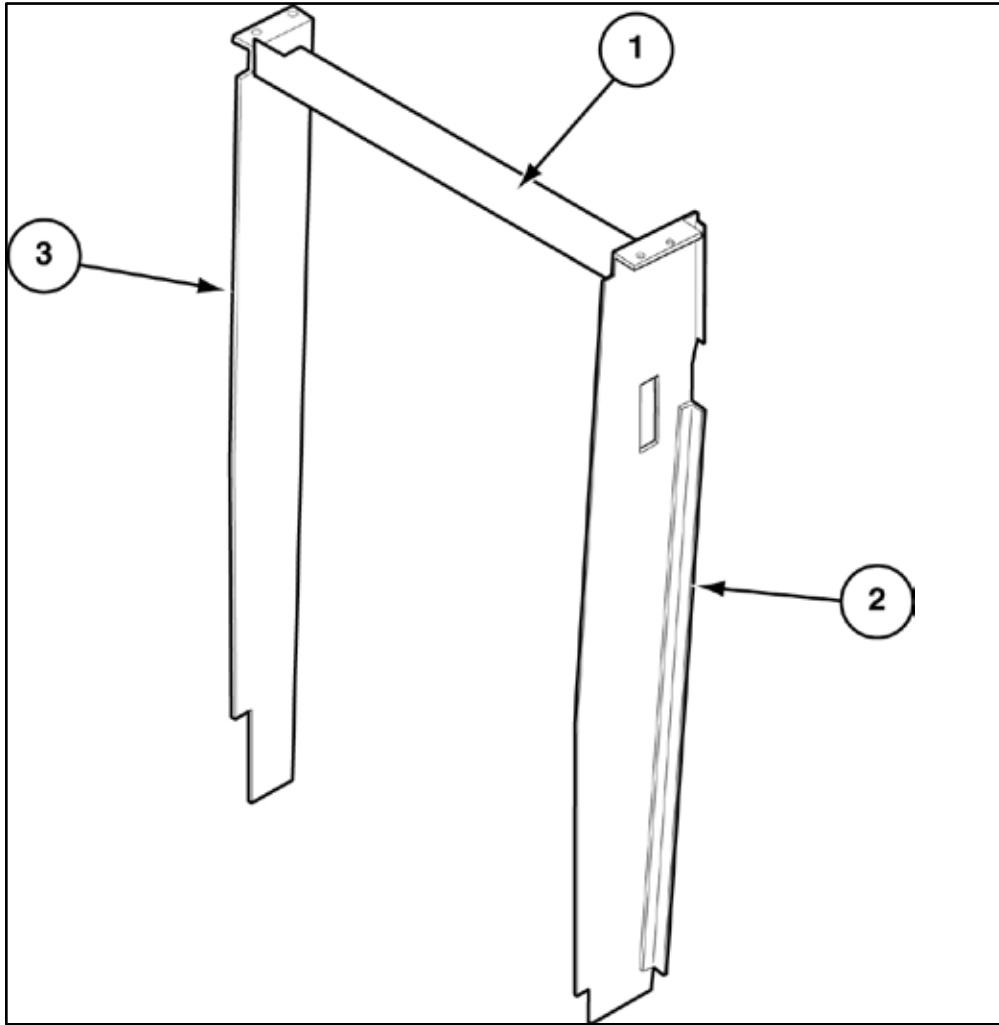
Entrance Door Plug

Item Part Number Description	QTY	Item Part Number Description	QTY
------------------------------	-----	------------------------------	-----

Call Your Parts and Service Department for Details

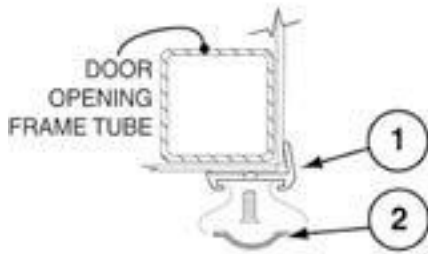
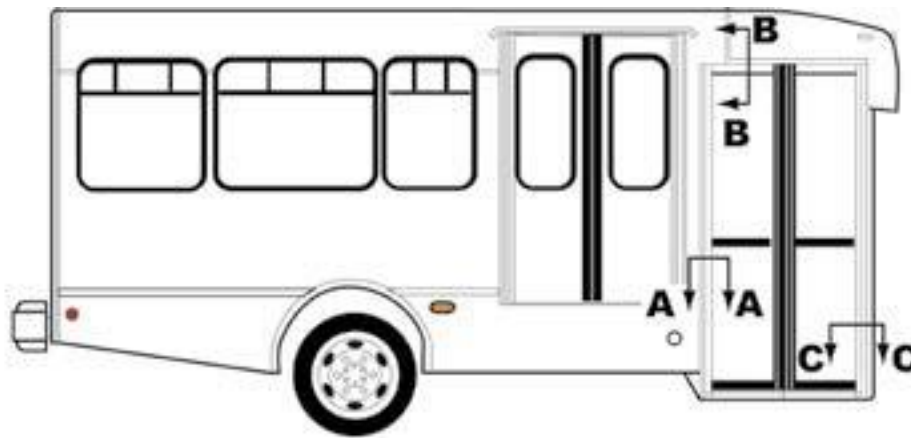
Also Found in Assemblies:

Rev. 05/26/10

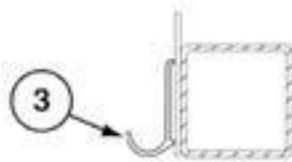


**30" ENTRY DOOR FRAME INSTALL
0406590**

<i>ITEM</i>	<i>PART NO.</i>	<i>DESCRIPTION</i>	<i>QTY</i>	<i>ITEM</i>	<i>PART NO.</i>	<i>DESCRIPTION</i>	<i>QTY</i>
01	0376285	HEADER, 34.25 ENTRANCE	1				
2	0376283	WING, ENTRANCE DOOR FRONT	1				
3	0376284	WING, ENTRANCE DOOR REAR 2"	1				
N/S	3371554	CAP, ENTRY DOOR REAR WING	1				
N/S	3371572	CAP, ENTRY DOOR FRONT WING	1				



SECTION A-A



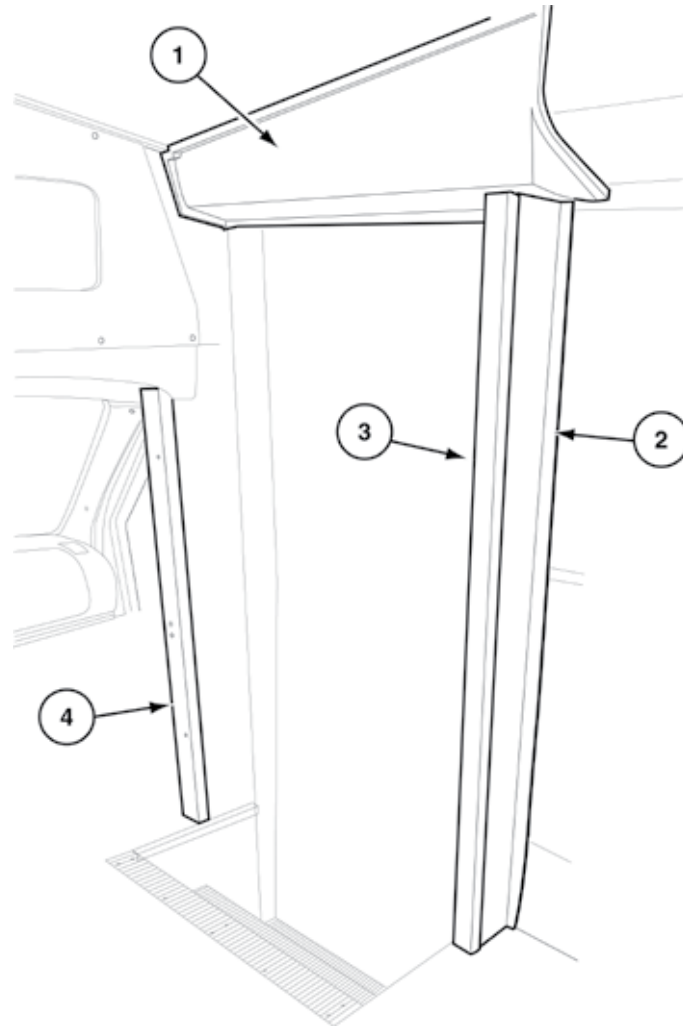
SECTION B-B



SECTION C-C

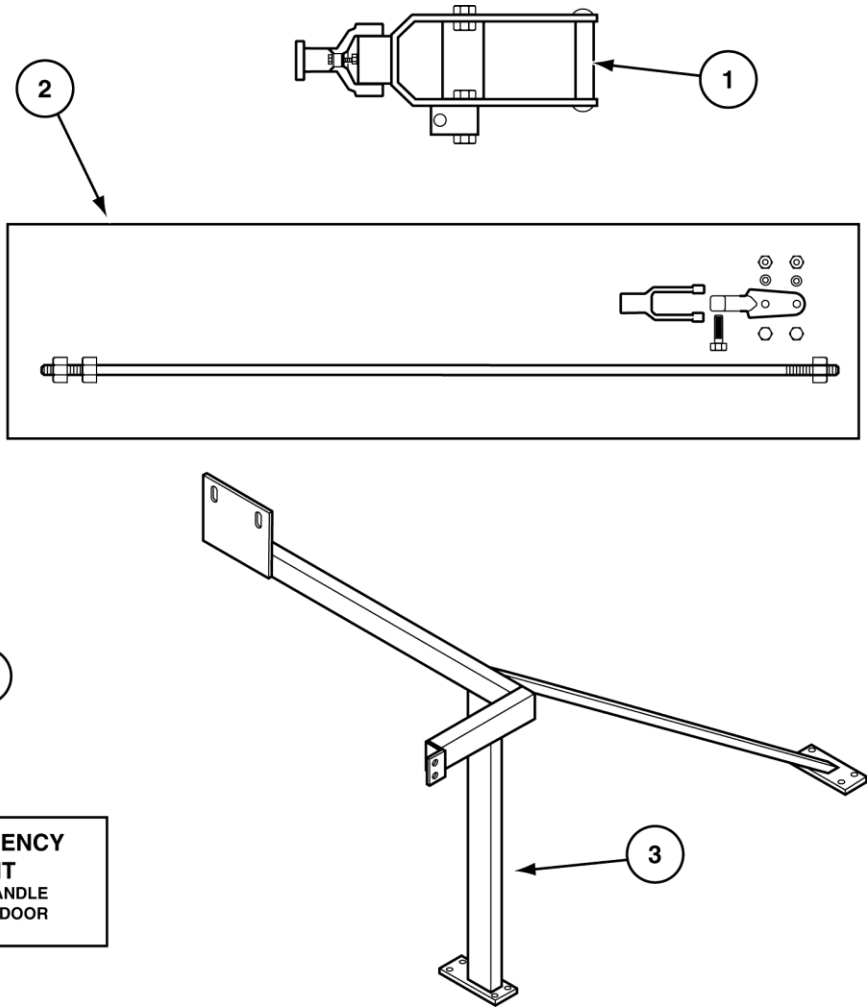
30" composite door exterior trim 0402717

ITEM	PART NO.	DESCRIPTION	QTY	ITEM	PART NO.	DESCRIPTION	QTY
1	4541124P	EDGE, DOOR OPENING (POLAR WHITE)	A/R				
2	3341237P	INSERT, 1" (POLAR WHITE)	A/R				
3	4570143	CAP, DRIP (POLAR WHITE) W/O HOLES	A/R				
4	3351566	SEAL, TRIM-LOK (LARGE BULB)	A/R				
N/S	4970423	BUMPER, RUBBER (1" x 1½")	2				
N/S	3971521	GROMMET, RUBBER (¾")	2				



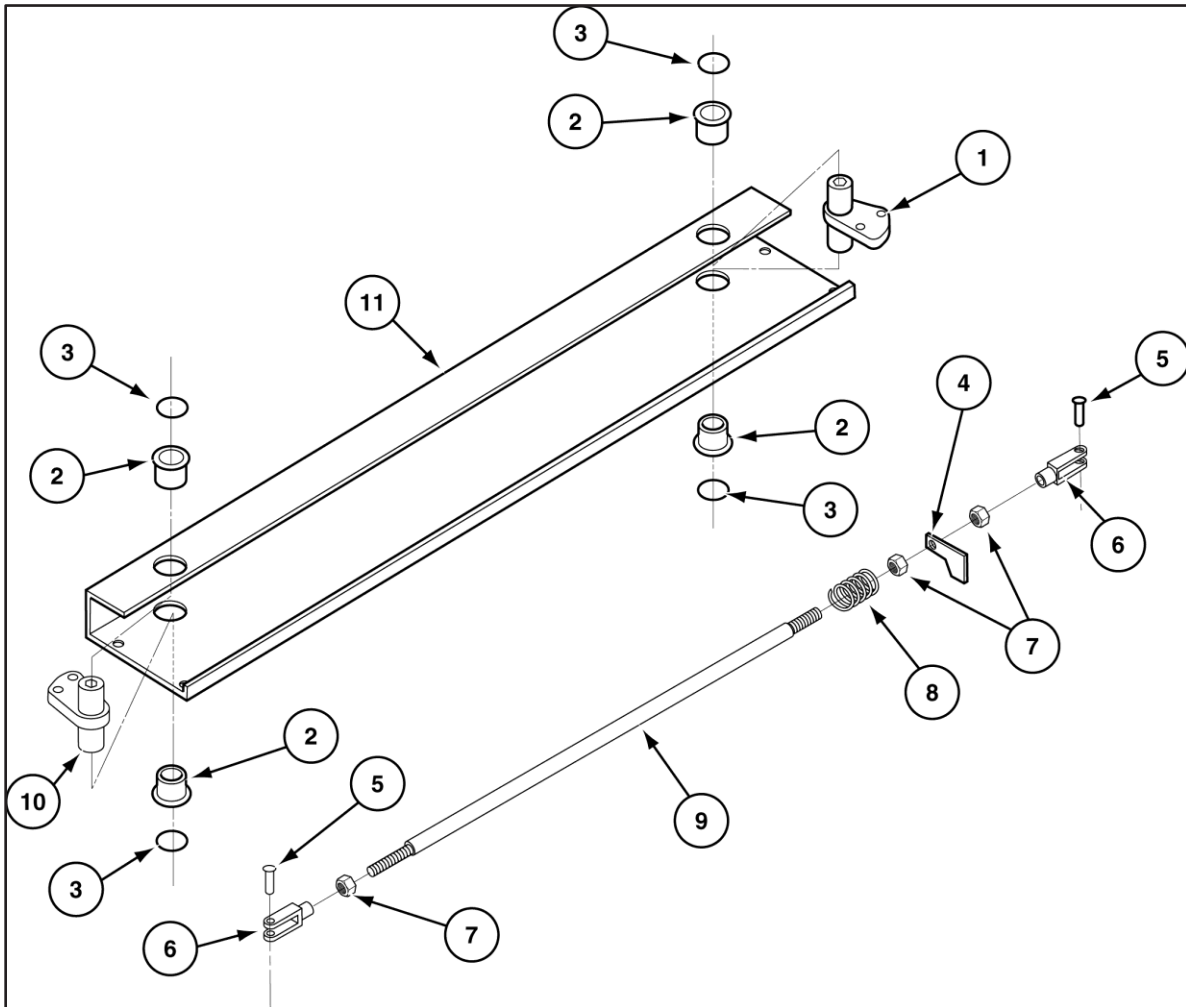
30" DOOR OPENING INTERIOR TRIM 0406945

<i>ITEM PART NO. DESCRIPTION</i>	<i>QTY</i>	<i>ITEM PART NO. DESCRIPTION</i>	<i>QTY</i>
1 3371437 COVER, 30" ENTRY DOOR HEADER	1		
2 3371224 POST, ENTRY DOOR (BACKSIDE)	1		
3 3371554 CAP, ENTRY DOOR OPENING REAR	1		
N/S 3371555 FILLER, ENTRY DOOR OPENING REAR			



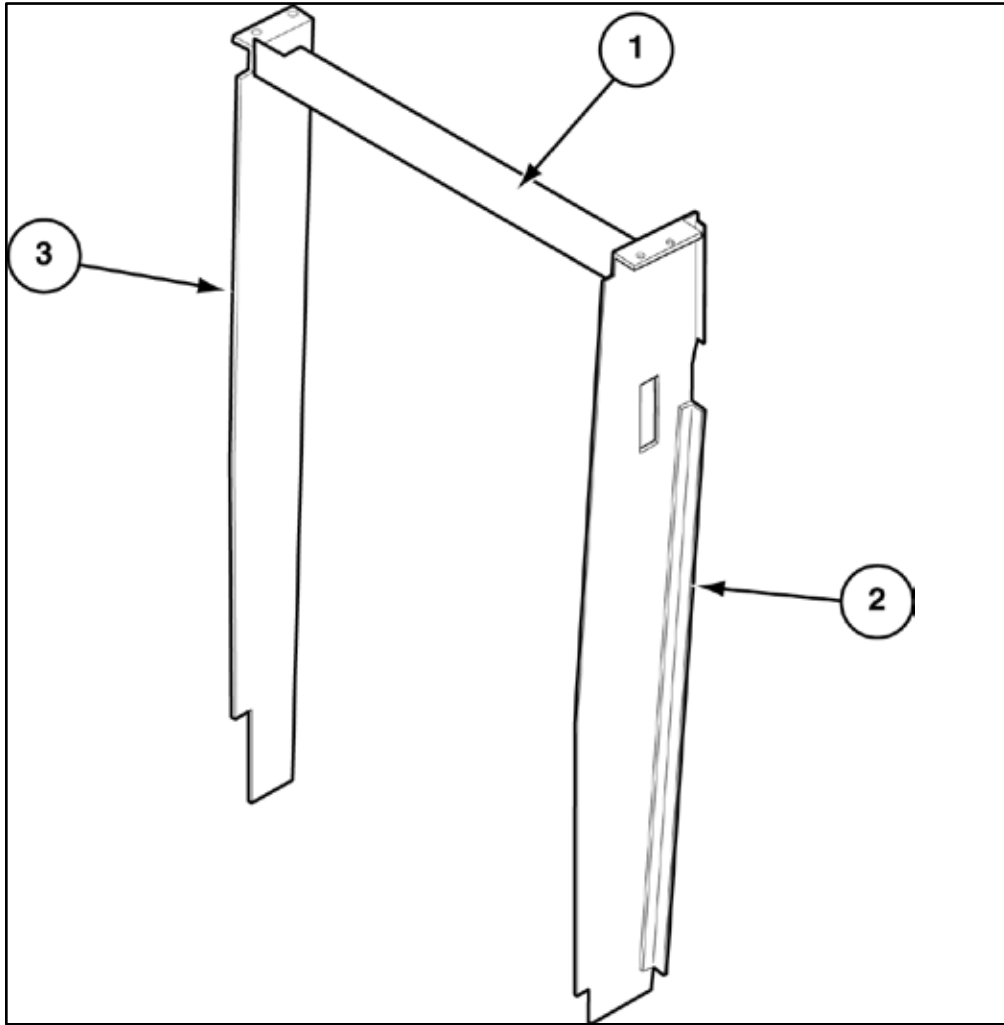
30" MANUAL DOOR T-BAR INSTALL 0418115

ITEM	PART NO.	DESCRIPTION	QTY	ITEM	PART NO.	DESCRIPTION	QTY
1	5370069	CONTROL, MANUAL DOOR	1	N/S	3371417	PANEL, MODESTY 1/4 x 25 x 24 ABS GRAY	A/R
2	5370077	ROD, DOOR CONTROL 42"	1	N/S	8570384	BOLT, HEX 1/4-20 x 1" S/S	2
3	0418100	T-BAR MANUAL	1	N/S	8543118	WASHER, LOCK 1/4" PLATED	2
	0379098	T-BAR MANUAL FORD CH/CR 4 DEG ASSY	1	N/S	8570129	NUT, RIVET 1/4-20	2
4	8970063	DECAL, EXIT EMERGENCY PULL HANDLE & PUSH	1	N/S	3370900	CAP, PLASTIC TUBE 1-1/2" x 2.0"	1



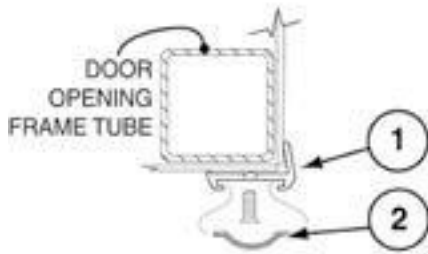
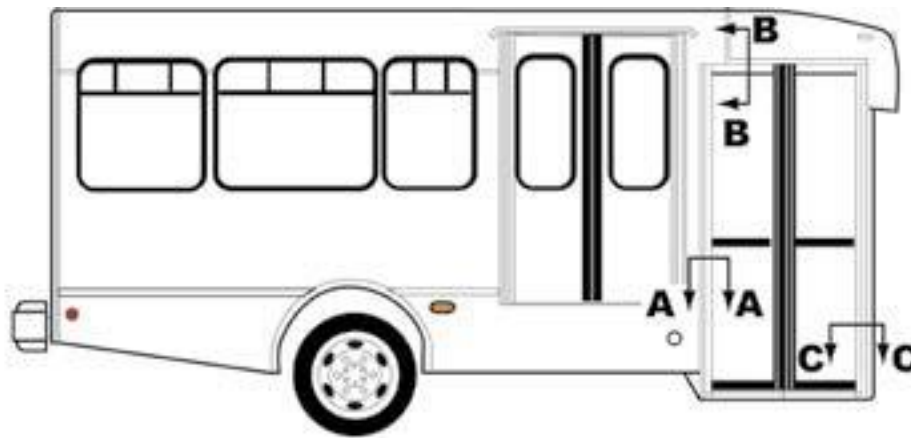
30" MANUAL DOOR HEADER 5370617

<i>ITEM PART NO. DESCRIPTION</i>	<i>QTY</i>	<i>ITEM PART NO. DESCRIPTION</i>	<i>QTY</i>
00 5370617 Header, 32" Manual Door		08 5370172 Spring, 1.64 x .656	2
01 0371278 Arm, Pivot Manual Door	1	9 0373882 Rod, 42" Manual Door Control	1
02 4970133 Bushing, EF162016	4	10 0371278 Arm, Pivot Manual Door	1
03 8570137 Clip, Ring 8710	4	11 0373883 Header, 42" Control Mechanical	1
04 0370106 Bracket, Door Switch Striker	1	NS 8570095 Nut, Fold Over 5/16-18 8814	4
05 4970125 Pin, Yoke	2	NS 8570210 Pin, Cotter 3/32 x 1¼	2
06 4970109 Yoke, Adjustable B27084ALH	1	NS 8542177 Bolt, Hex 5/16 x 1¼ GR5 Serated	4
6 4970117 Yoke, R/H Adjustable B27084A	1	NS 8570862 Bolt, Hex 5/16 x 1.0 GR5 Serrated	4
7 8541047 Nut, Hex 3/8 GR5 SAE Left Hand	1		
8541039 Nut, Hex 3/8 GR5 SAE Right Hand	2		

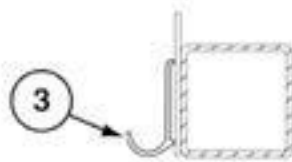


30" ENTRY DOOR FRAME INSTALL 0406590

<i>ITEM PART NO. DESCRIPTION</i>	<i>QTY</i>	<i>ITEM PART NO. DESCRIPTION</i>	<i>QTY</i>
01 0376285 HEADER, 34.25 ENTRANCE	1		
2 0376283 WING, ENTRANCE DOOR FRONT	1		
3 0376284 WING, ENTRANCE DOOR REAR 2"	1		
N/S 3371554 CAP, ENTRY DOOR REAR WING	1		
N/S 3371572 CAP, ENTRY DOOR FRONT WING	1		



SECTION A-A



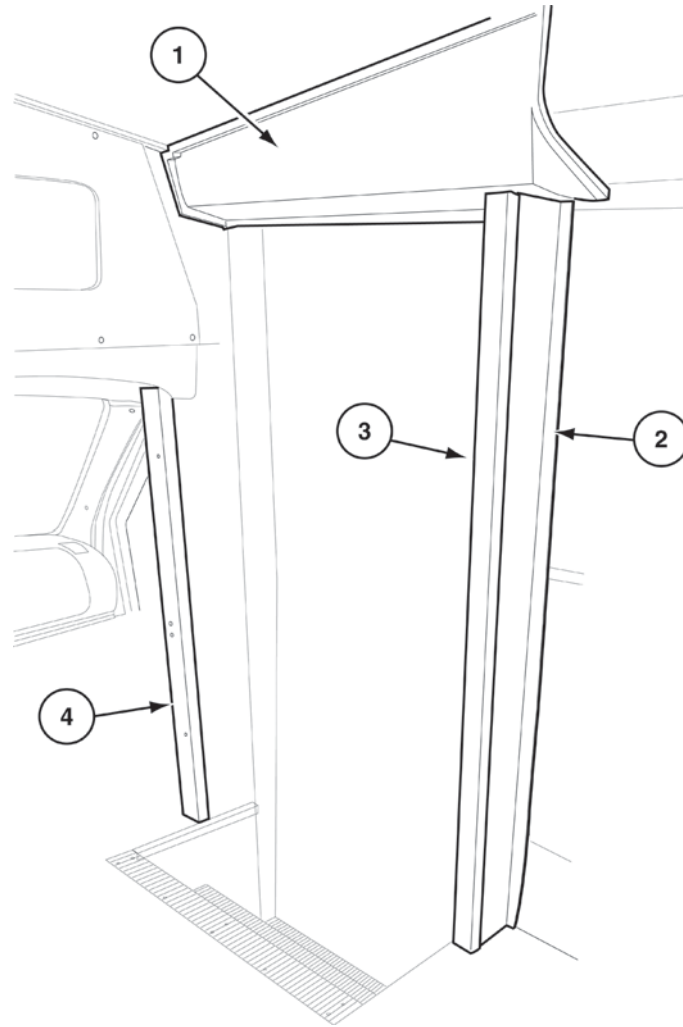
SECTION B-B



SECTION C-C

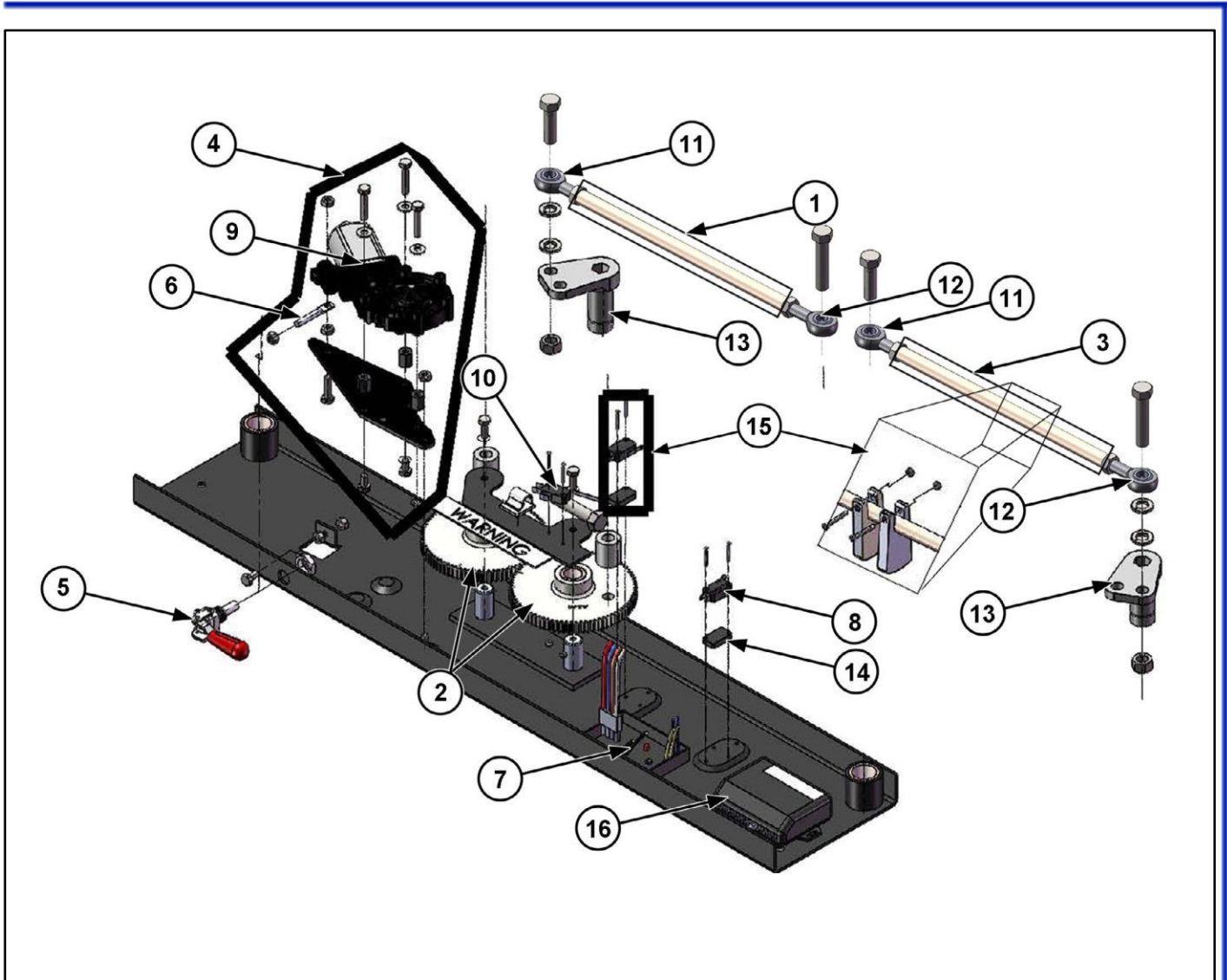
30" composite door exterior trim 0402717

ITEM	PART NO.	DESCRIPTION	QTY	ITEM	PART NO.	DESCRIPTION	QTY
1	4541124P	EDGE, DOOR OPENING (POLAR WHITE)	A/R				
2	3341237P	INSERT, 1" (POLAR WHITE)	A/R				
3	4570143	CAP, DRIP (POLAR WHITE) W/O HOLES	A/R				
4	3351566	SEAL, TRIM-LOK (LARGE BULB)	A/R				
N/S	4970423	BUMPER, RUBBER (1" x 1½")	2				
N/S	3971521	GROMMET, RUBBER (¾")	2				



30" DOOR OPENING INTERIOR TRIM 0406945

<i>ITEM PART NO. DESCRIPTION</i>	<i>QTY</i>	<i>ITEM PART NO. DESCRIPTION</i>	<i>QTY</i>
1 3371439 COVER,30" ENTRY DOOR HEADER,ABS DF	1		
2 3350543 TRIM,BUS CORNER	1		
3 3371554 CAP,ENTRY DOOR OPENING REAR	1		
N/S 0970119 PANEL,VINYL CLAD TO LAUAN 4 x 8 SHEET	A/R		

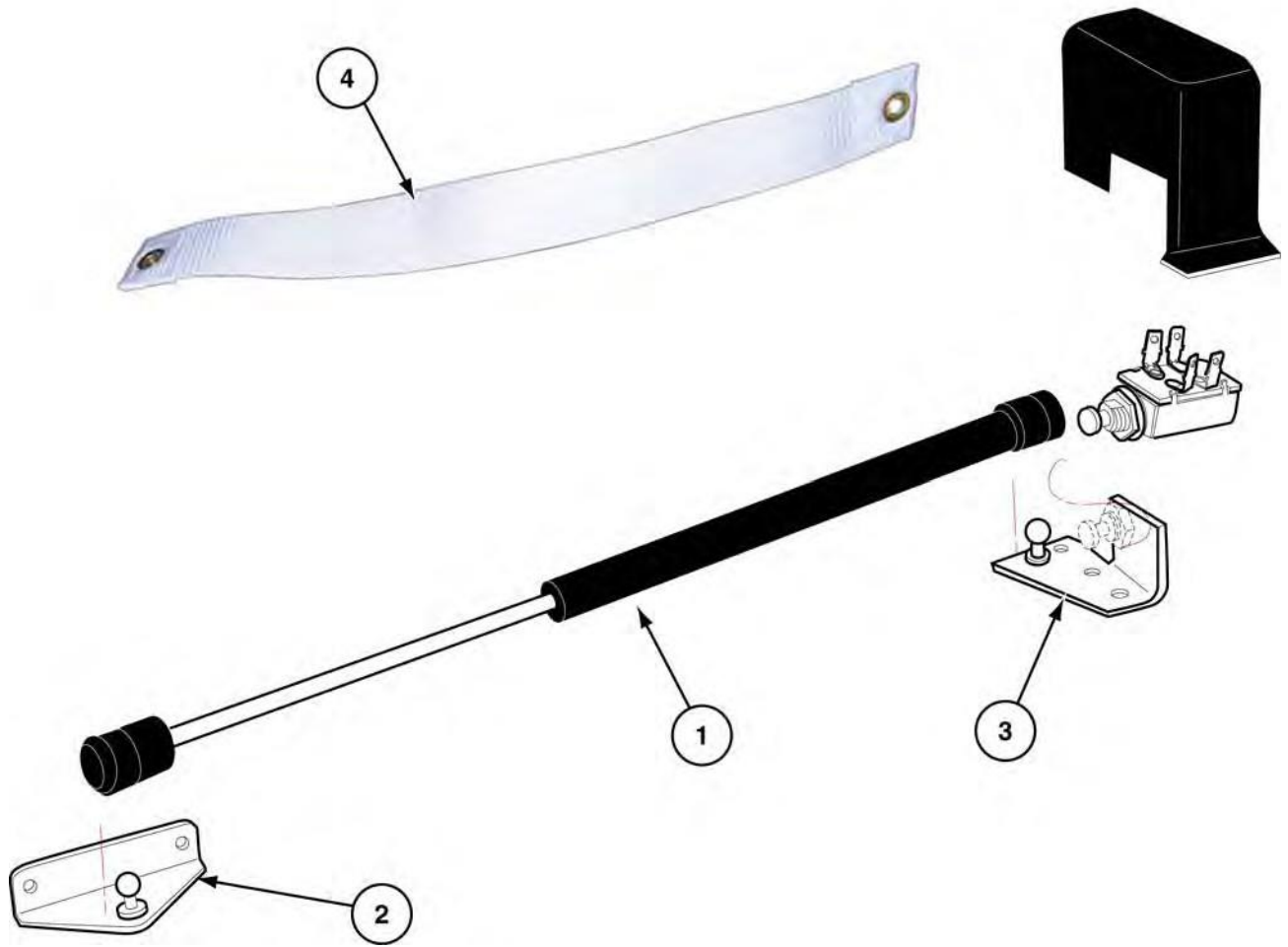


Entrance Door Controls Electric Door

Item	Part Number	Description	QTY	Item	Part Number	Description	QTY
01		Call Your Parts and Service Department for Details	1				
02	1013443	GEAR, MAIN AM SYSTEMS	2				
03		Call Your Parts and Service Department for Details	1				
04	1014034	MOTOR ASSEMBLY	1				
05	1013444	EMERGENCY RELEASE HANDLE	1				
06	1014324	BOLT,HANGER 1/4 FLATTENED END X 2"	1				
07	1014937	PC BOARD, AUTO REOPEN	1				
08	3972541	SWITCH,MICROA&M	A/R				
09	1016840	MOTOR,ELECTRIC DOOR A&M	1				
10	1016301	SWITCH,LIMIT AUTO REOPEN ONLY	1				
11	1015921	END,ROD R/H A & M SYSTEMS	2				
12	1015922	END,ROD L/H A & M SYSTEMS	2				
13	1016224	ACTUATOR,ARM 2 HOLE	2				
14	1016208	SPACER,SWITCH ASSY-A&M	A/R				
15	3973804	DOOR KIT,HEADER A&M NOT CLOSED	A/R				
16		Call Your Parts and Service Department for Details	1				

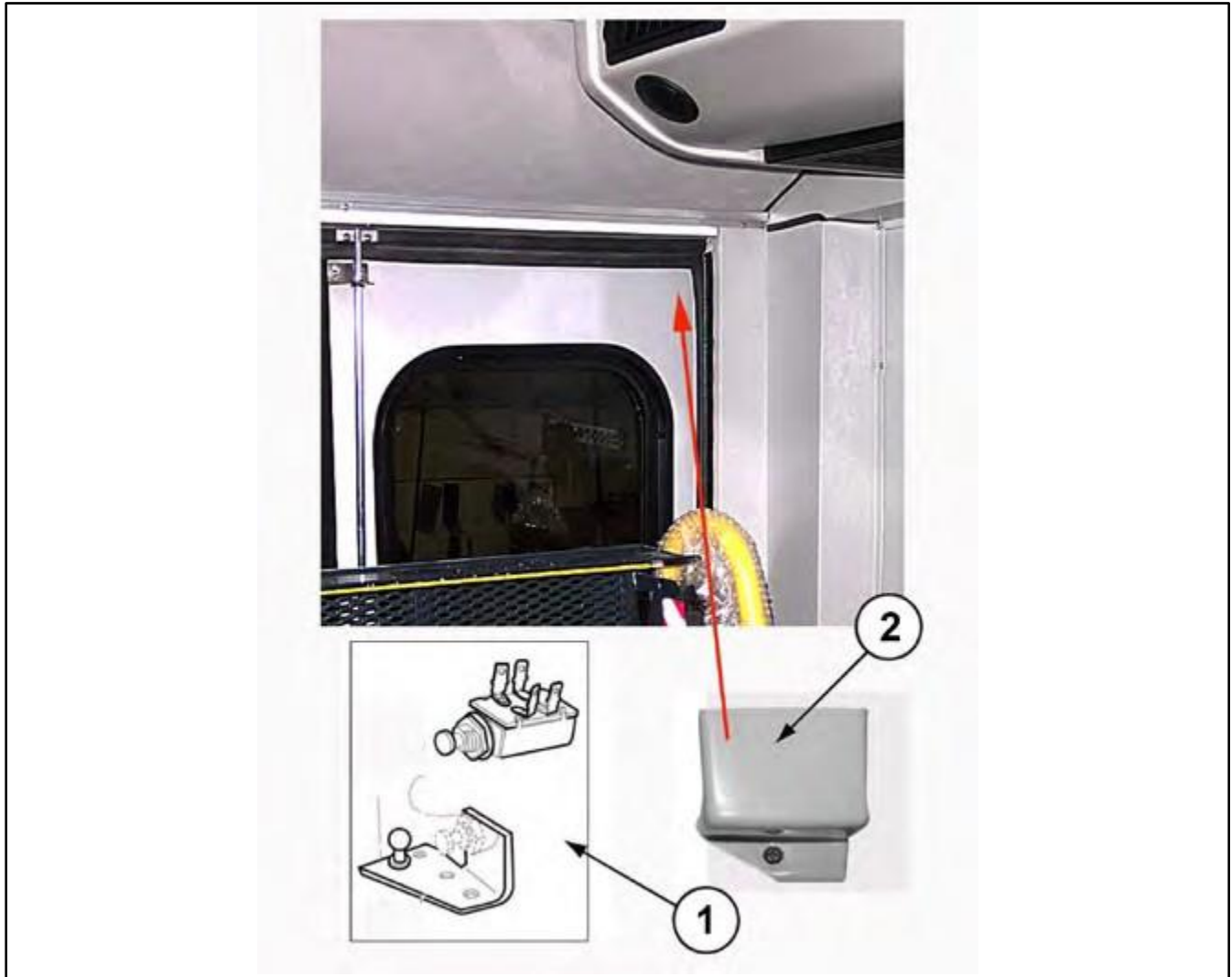
Also Found in Assemblies:
 0402852, 0403417, 0404044, 0404520, 0406396, 0406756
 0408908, 0414076, 0402851, 0404519, 0406266, 0409162
 0414075, 0414093

Rev. 05/26/10



INSTALL, GAS STRUT & TEATHER
0410426

<i>ITEM</i>	<i>PARTNO.</i>	<i>DESCRIPTION</i>	<i>QTY</i>	<i>ITEM</i>	<i>PARTNO.</i>	<i>DESCRIPTION</i>	<i>QTY</i>
01	4970545	STRUT,GAS (60LB, 14")	1				
2	4970546	BRACKET,STRUT(270°"C" STYLE)	1				
3	0376564	BRACKET,PARADOOR,STRUTSWITCH	1				
04	7371581	TETHER, PARADOOR(21")	1				
NS	4970423	BUMPER,RUBBER(1 X 1.5)	1				



DOOR AJAR MICRO SWITCH 0418925

<i>ITEM</i>	<i>PART NO.</i>	<i>DESCRIPTION</i>	<i>QTY</i>	<i>ITEM</i>	<i>PART NO.</i>	<i>DESCRIPTION</i>	<i>QTY</i>
00	3971963	SWITCH, JAMB DPST NORM CLOSED	1				
01	3371674	COVER, LIFT DOOR SWITCH GRAY	1				
NS	3944485	TERMINAL, F INS FEM QK DISC 16-14 .2	2				
NS	3945623	LOOM, 1/4" SPLIT PLASTIC HI-TEMP	60				



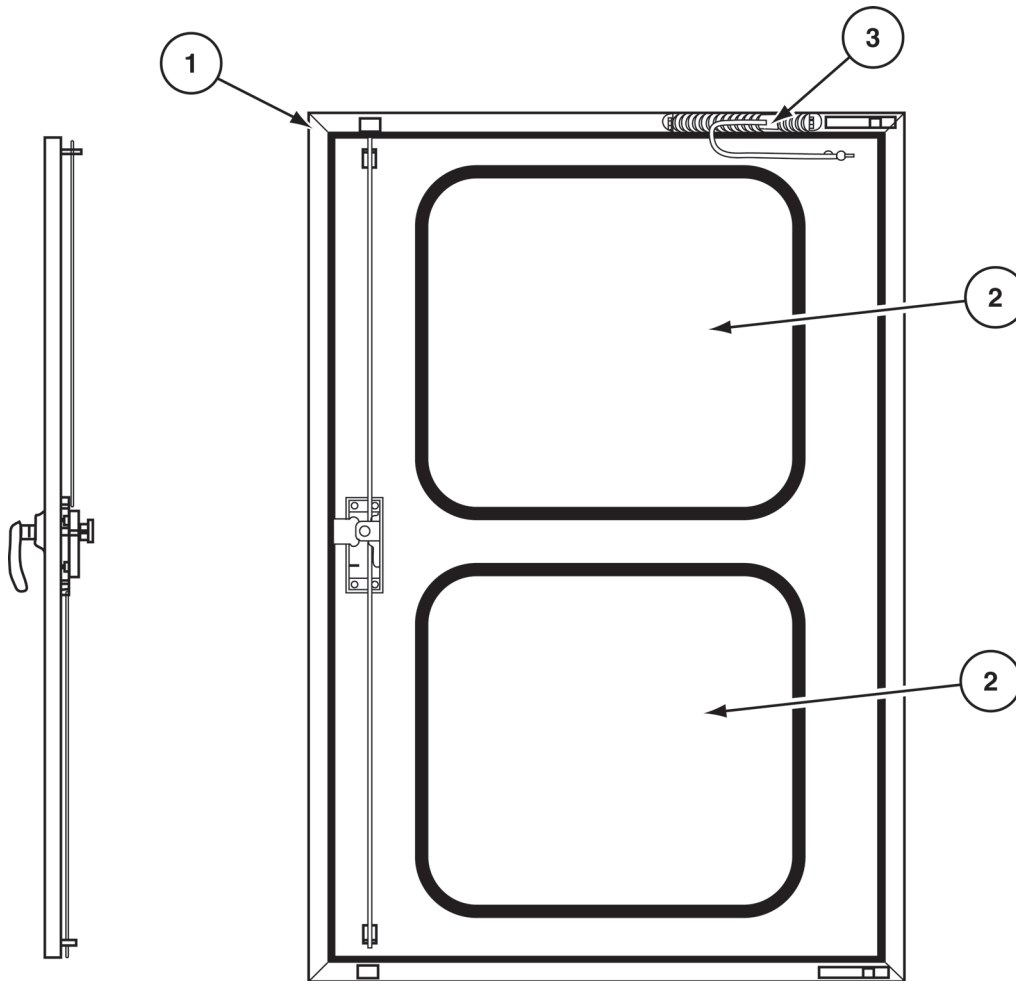
door control access panel 0415978

<i>ITEM PART NO. DESCRIPTION</i>	<i>QTY</i>	<i>ITEM PART NO. DESCRIPTION</i>	<i>QTY</i>
1 3371927 Panel, Door Header Access Entry	1		
2 4941520 Lock, Thumb Complete	2		
NS 3371437 Cover, 30" Entry Door Header ABX	1		



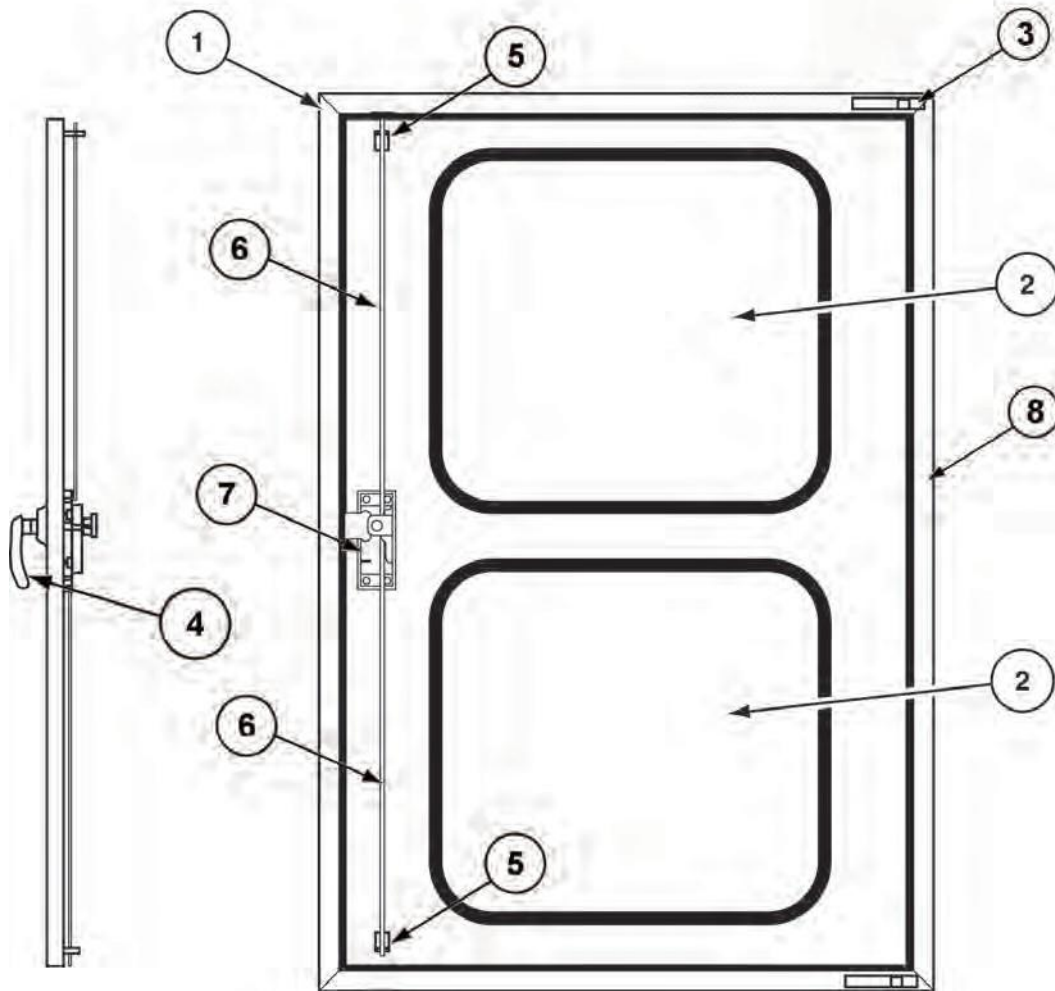
keyed entry door switch
0421732 - 3975909

<i>ITEM</i>	<i>PART NO.</i>	<i>DESCRIPTION</i>	<i>QTY</i>	<i>ITEM</i>	<i>PART NO.</i>	<i>DESCRIPTION</i>	<i>QTY</i>
01	3975909	Switch, Keyed Entry Door	AR				



r e a r c a r g o d o o r W / 2 W I N D o W S
cH0000054040 / 0415284

<i>ITEM PART NO.</i>	<i>DESCRIPTION</i>	<i>QTY</i>	<i>ITEM PART NO.</i>	<i>DESCRIPTION</i>	<i>QTY</i>
01	3371731 DOOR ASM.,CARGO (PRE-HUNG)	1			
02	5970874 WINDOW (24" x 22")	2			
03	0377705 STOP,CARGO DOOR	1			
N/S	3973898 ACTUATOR,REAR DOOR	1			



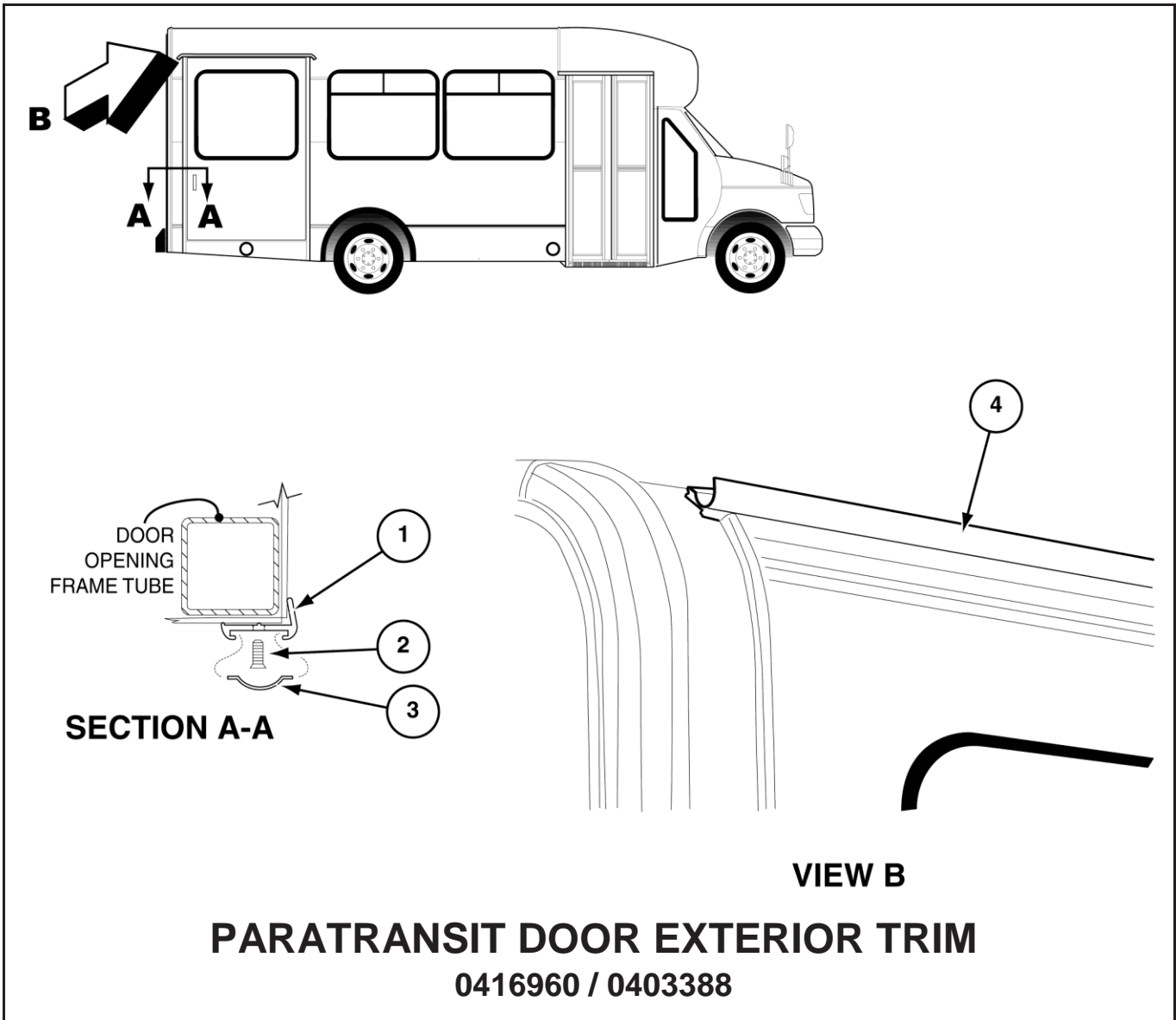
**rear door composite W/ 2 WiNdOWs (reV-a)
0416961 / 0414670 (Loc KiNG or NoN-Loc KiNG)**

ITEM PART NO.	DESCRIPTION	QTY	ITEM PART NO.	DESCRIPTION	QTY
01	3371877 DOOR,CARGO REARS/S JAMB(PRE-HUNG)	1			
02	5970874 WINDOW (24" x 22")	2			
3	0377705 STOP,CARGO DOOR	1			
4	1015206 HANDLE,LOCKING OUTSIDE	1			
4	1015207 HANDLE,NON-LOCKING OUTSIDE	1			
5	0374253 GUIDE,REAR CARGO DOOR ROD	2			
06	4970182 DOOR ROD,48"	2			
7	4970457 LATCH,3-POINT CENTERCNTRL W/248" RODS	1			
8	1015590 HINGE,3-POINT FOR 1230 DOOR	1			
N/S	1015254 HANDLE,INSIDE	1			
N/S	3973898 ACTUATOR,REAR DOOR	1			



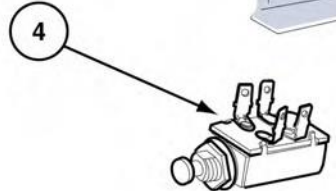
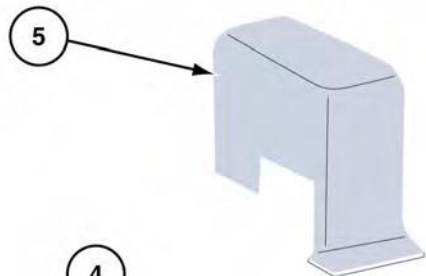
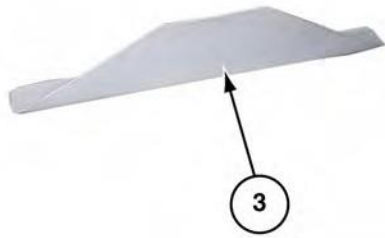
**PARATRANSIT DOOR, DuA I
0416960**

<i>ITEM</i>	<i>PART NO.</i>	<i>DESCRIPTION</i>	<i>QTY</i>	<i>ITEM</i>	<i>PART NO.</i>	<i>DESCRIPTION</i>	<i>QTY</i>
01	3371876	DOOR, PARADUAL PRE-HUNG S/S JAMB	1				



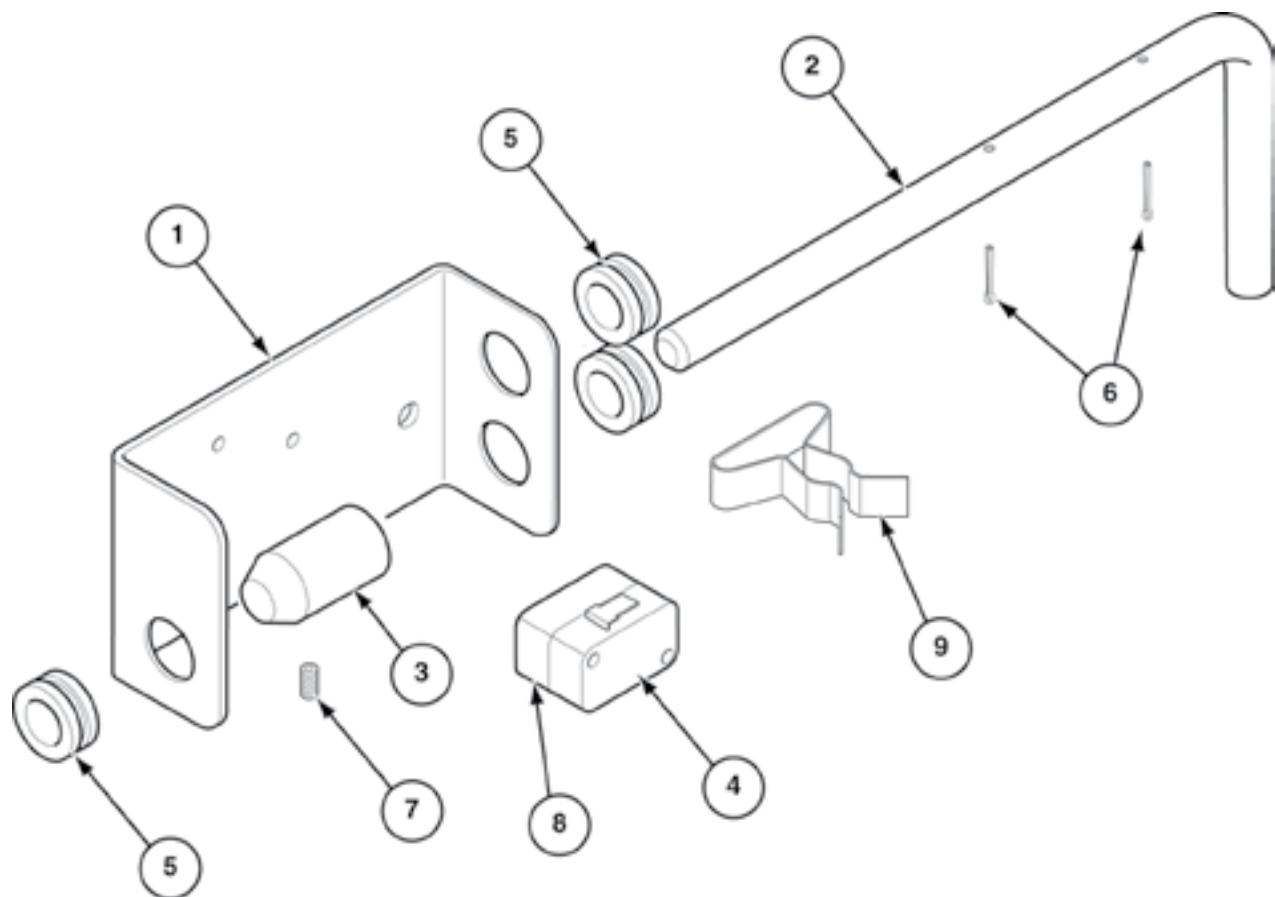
ITEM	PART NO.	DESCRIPTION	QTY
1	4541124P	EDGE, ROOF (POLAR WHITE #2000) 16'	A/R
2	8570931	SCREW (8 x 1 PAN QUAD TEK) CLEAR EMPI	40
03	3341237P	INSERT, POLAR WHITE (#101) 1000'	A/R
04	0377694	RAIL, DRIP (1.25 X 14')	1
N/S	8570808	POP-RIVET, ALUMINUM (3/16 x .376-.500 GRP)	4
N/S	8570933	SCREW (8 x 1 PAN QUAD T2) CLEAR EMPIGUARD	4

ITEM	PART NO.	DESCRIPTION	QTY
------	----------	-------------	-----



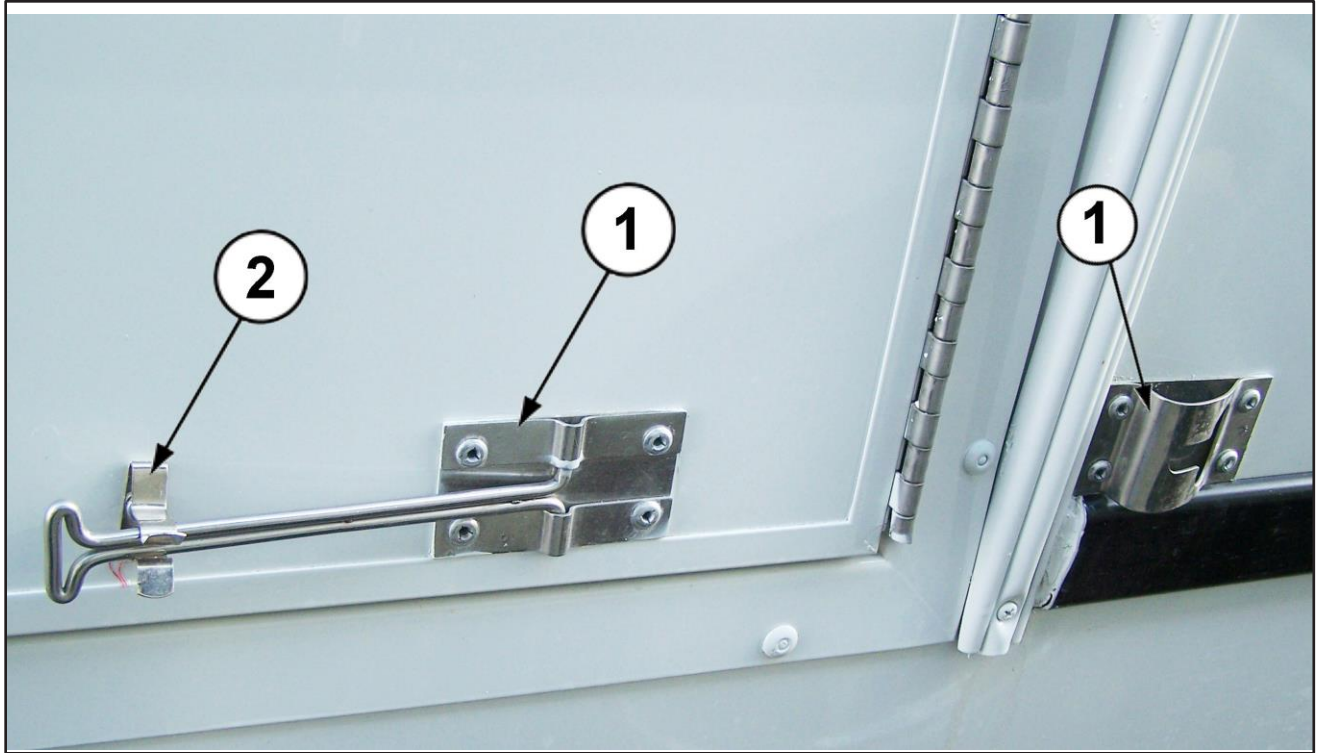
REAR LIFT DOOR INTERIOR TRIM
0416960 / 0409843

<i>ITEM</i>	<i>PART NO.</i>	<i>DESCRIPTION</i>	<i>QTY</i>	<i>ITEM</i>	<i>PART NO.</i>	<i>DESCRIPTION</i>	<i>QTY</i>
1	3371228	COVER, PARADOOR REAR POST	1				
2	3371244	COVER, PARADOOR FRONT POST	1				
3	3371229	COVER, LITEBAR TO PARADOOR ADAPTER	1				
N/S	3973020	SWITCH, MAGNETIC (808-1005)	2				
N/S	4970493	GROMMET, RUBBER (7/16")	2				
N/S	3371079	COVER, LIFT DOOR JAMB SWITCH	2				



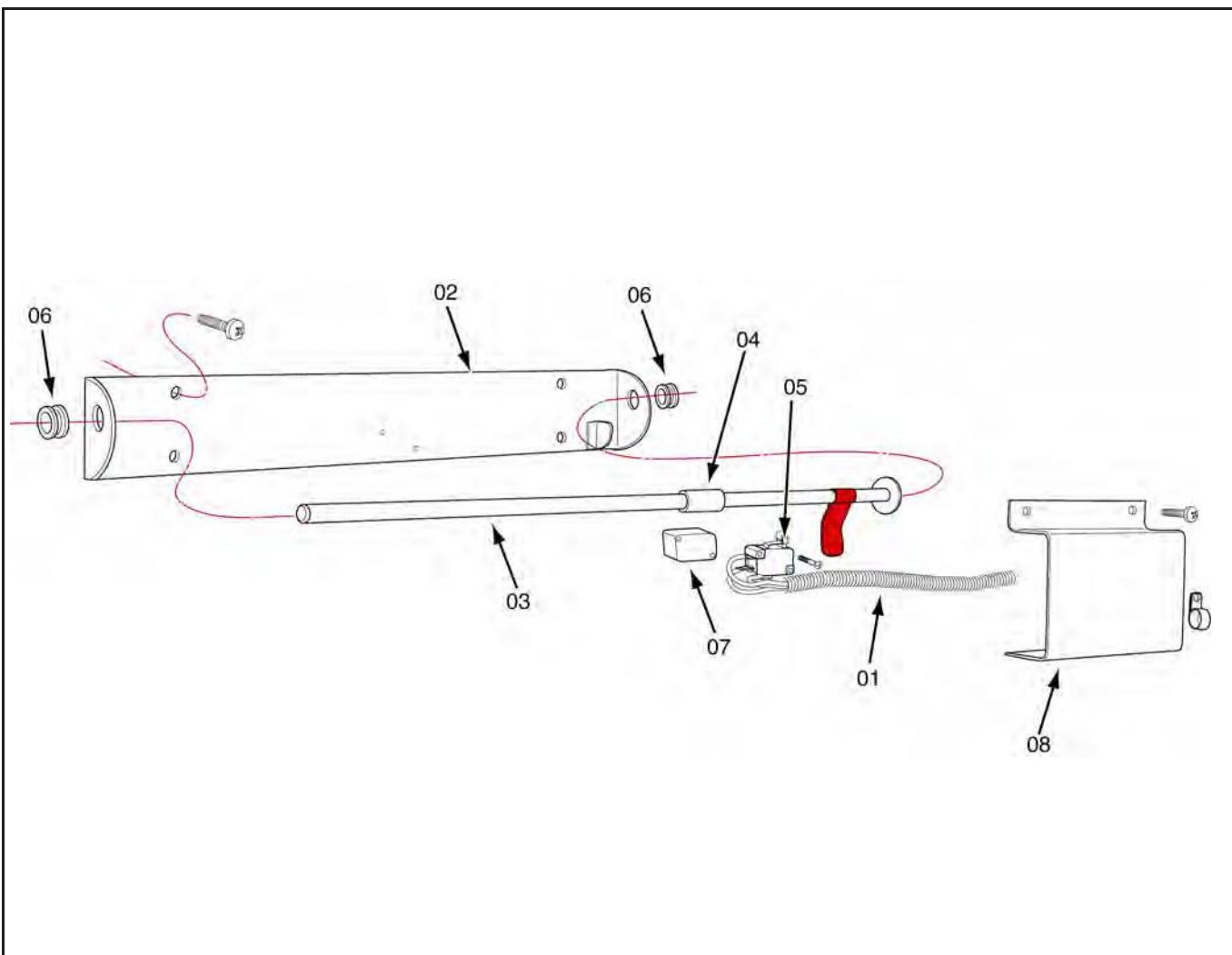
rear door lock barrel bolt & dash light cX0000054058 (rev-a)/ 0412358 / cX-000-900-4058

ITEM	PART NO.	DESCRIPTION	QTY	ITEM	PART NO.	DESCRIPTION	QTY
1	0377521	BRACKET, REAR DOOR LOCK BARREL BOLT	1	07	8570860	SET-SCREW (6-32 x 1/4)	1
2	0377522	ROD, REAR DOOR LOCK BARREL BOLT	1	8	3970894	SPACER, SWITCH	1
3	0374300	SLEEVE, DOOR LOCK	1	9	8571373	CLIP, SPRING	1
4	3971790	SWITCH, MICRO w/ROLLER LEVER	1	NS	4370103	SWITCH COVER, STEEL BLACK HIDE 26GA48X96	1
05	3971506	BUSHING, SNAP 1/2"	3	NS	3973085	LIGHT, BUZZ NO ENGRAVING	1
06	8570210	COTTER-PIN (3/32" x 1 1/4")	2				



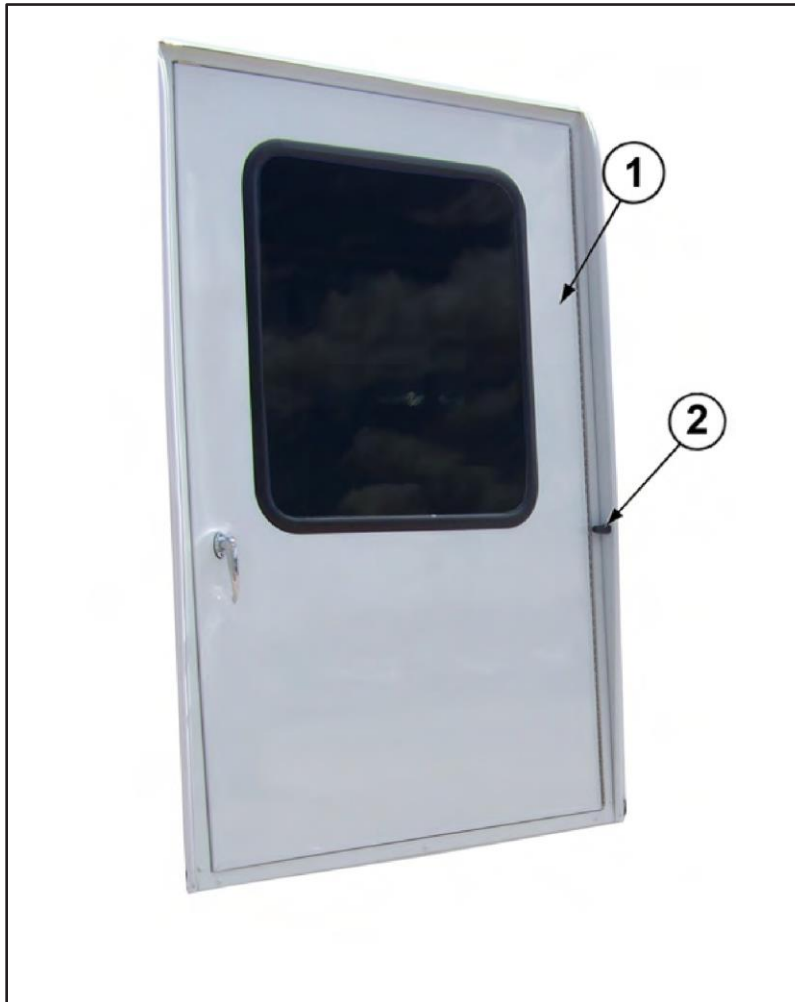
rear door holder - latch 6"
0418316 / 0418315

<i>ITEM PART NO. DESCRIPTION</i>	<i>QTY</i>	<i>ITEM PART NO. DESCRIPTION</i>	<i>QTY</i>
01 4570187 Holder, Door 6" S/S	1		
02 8571308 Holder, Spring Action	1		
NS 0364836 Steel, Flat 16GA x 3" x 96"	AR		



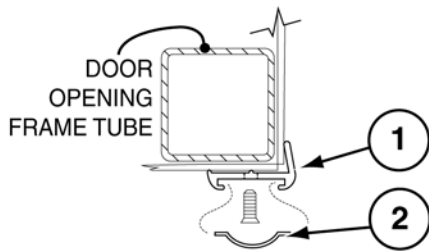
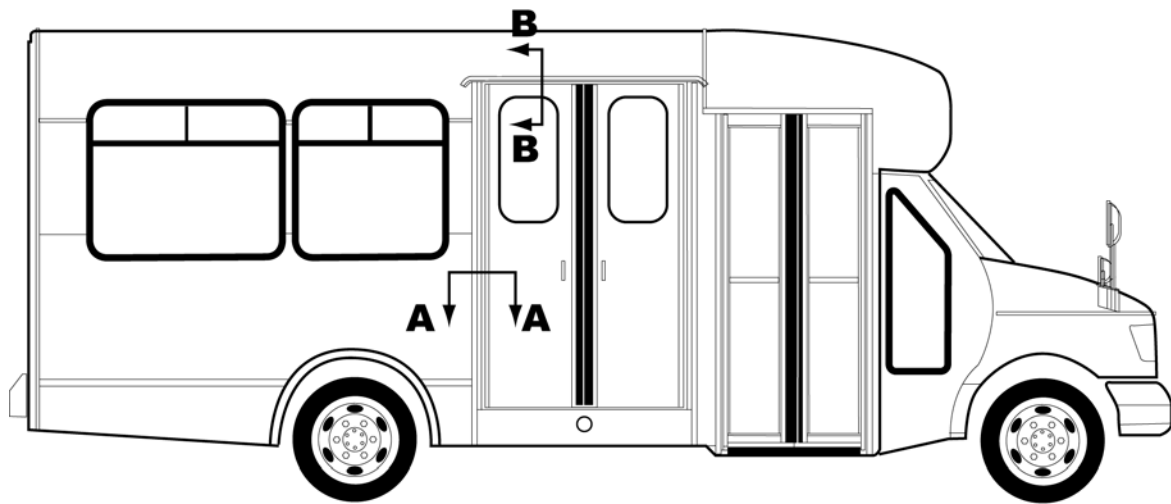
INSTALL IGNITION REAR DOOR INTERLOCK CH-000-900-0140

<i>ITEM</i>	<i>PART NO.</i>	<i>DESCRIPTION</i>	<i>QTY</i>	<i>ITEM</i>	<i>PART NO.</i>	<i>DESCRIPTION</i>	<i>QTY</i>
1	NSS	WIRE HARNESS	1				
2	0400926	LOCK, REAR DOOR	1				
3	0374298	ROD, DOOR LOCK	1				
4	0374300	SLEEVE, DOOR LOCK	1				
5	3971790	SWITCH, MICROW/ROLLER LEVER	1				
06	3971506	BUSHING, SNAP (1/2")	2				
7	3970894	SPACER, SWITCH	1				
8	0413579	COVER, SWITCH DOOR	1				

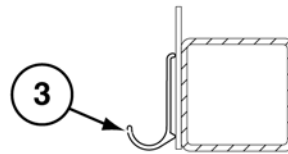


PARATRANSIT DOOR-SINGLE LEAF S/S
0417012 / 3371878

<i>ITEM PART NO. DESCRIPTION</i>	<i>QTY</i>	<i>ITEM PART NO. DESCRIPTION</i>	<i>QTY</i>
1 3371878 DOOR, LIFT COMP SINGLE PANEL S/S	1		
2 4970694 BUMPER, DOOR STOPPER RUBBER 2.25"	2		
N/S 4970748 HOLDER, DOOR 6" STAINLESS STEEL	2		



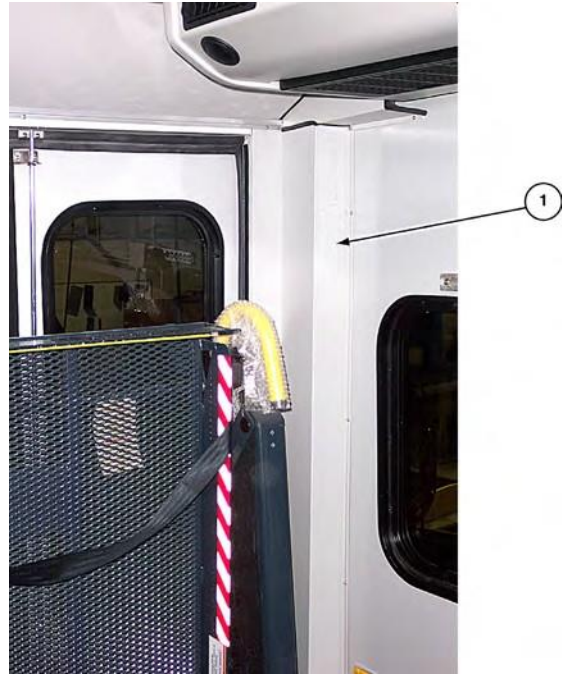
SECTION A-A



SECTION B-B

PARATRANSIT DOOR EXTERIOR TRIM
0403388 / 0417012

<i>ITEM PART NO. DESCRIPTION</i>	<i>QTY</i>	<i>ITEM PART NO. DESCRIPTION</i>	<i>QTY</i>
01 4541124PEDGE, ROOF POLAR WHITE #2000-16'	1		
02 3341237PINSERT, 1.0POLARWHITE #101 1000'	15		
03 0413103 INSTALL, CAP DRIP 50.75 PAINTED GALV	1		
N/S 8570933 SCREW, 8 X 1 PAN QUAD T2 CLR EMP PLR	4		
N/S 8570931 SCREW, 8 X 1 PAN QUAD TEK CLR EMP IGU	40		



PARATRANSIT DOOR - INTERIOR TRIM

0417012 / 0409843

<i>ITEM PART NO.</i>	<i>DESCRIPTION</i>	<i>QTY</i>	<i>ITEM PART NO.</i>	<i>DESCRIPTION</i>	<i>QTY</i>
1	3371228 COVER, PARADOOR REAR WALL POST	1			
2	3371244 COVER, PARADOOR FRONT POST	1			
3	3371229 ADAPTER, COVER LIGHT BAR TOPARADR	1			
N/S	3371902 COVER, SWITCH LIFT DOOR 912	1			
N/S	3973020 SWITCH, MAGNETIC	2			
N/S	3973021 ACTUATOR, MAGNETIC	2			



**CHAMPION
BUS, INC.**

Wholly owned subsidiary of Thor Industries, Inc.

SECTION 6:

WINDOWS

PASSENGER WINDOWS

UNIT #23579

<u>ITEM</u>	<u>PART NO.</u>	<u>DESCRIPTION</u>	<u>QTY</u>	<u>ITEM</u>	<u>PART NO.</u>	<u>DESCRIPTION</u>	<u>QTY</u>
NS	5970954	WINDOW, 36.38 x 46.5 SGL CENTER SL. EGRESS	5				
NS	5971114	WINDOW, WING SAMPSON	1				
NS	5940705	WINDOW, REAR	2				

PASSENGER WINDOWS

UNIT #23620-23621

<i>ITEM</i>	<i>PART NO.</i>	<i>DESCRIPTION</i>	<i>QTY</i>	<i>ITEM</i>	<i>PART NO.</i>	<i>DESCRIPTION</i>	<i>QTY</i>
NS	5970954	WINDOW, 36.38 x 46.5 SGL CENTER SL. EGRESS	5				
NS	5971114	WINDOW, WING SAMPSON	1				
NS	5940705	WINDOW, REAR	2				

PASSENGER WINDOWS

UNIT #23642

<i>ITEM PART NO. DESCRIPTION</i>	<i>QTY</i>	<i>ITEM PART NO. DESCRIPTION</i>	<i>QTY</i>
NS 5970954 WINDOW, 36.38 x 46.5 SGL CENTER SL. EGRESS	5		
NS 5970956 WINDOW, 36.5 x 36.5 SINGLE CNTR SLIDE EGRESS	1		
NS 5970958 WINDOW, 36.38 x 24.5 SGL CENTER SL. EGRESS	1		
NS 5970090 WINDOW, WING FORD CH/CR			
1			
NS 5940705 WINDOW, REAR	2		

PASSENGER WINDOWS

UNIT #23677

<i>ITEM PART NO. DESCRIPTION</i>	<i>QTY</i>	<i>ITEM PART NO. DESCRIPTION</i>	<i>QTY</i>
NS 5970954 WINDOW, 36.38 x 46.5 SGL CENTER SL. EGRESS	5		
NS 5970956 WINDOW, 36.5 x 36.5 SINGLE CNTR SLIDE EGRESS	1		
NS 5970958 WINDOW, 36.38 x 24.5 SGL CENTER SL. EGRESS	1		
NS 5970090 WINDOW, WING FORD CH/CR			
1			
NS 5940705 WINDOW, REAR	2		

PASSENGER WINDOWS

UNIT #23692-23695

<i>ITEM</i>	<i>PART NO.</i>	<i>DESCRIPTION</i>	<i>QTY</i>	<i>ITEM</i>	<i>PART NO.</i>	<i>DESCRIPTION</i>	<i>QTY</i>
NS	5970954	WINDOW, 36.38 x 46.5 SGL CENTER SL. EGRESS	4				
NS	5970956	WINDOW, 36.5 x 36.5 SINGLE CNTR SLIDE EGRESS	1				
NS	5970958	WINDOW, 36.38 x 24.5 SGL CENTER SL. EGRESS	1				
NS	5970944	WINDOW, DEST. 36.38 X 46.5 EGRESS	1				
NS	5970157	WINDOW, DESTINATION CH-CR	1				
NS	5971114	WINDOW, WING SAMPSON	1				
NS	5940705	WINDOW, REAR	2				

PASSENGER WINDOWS

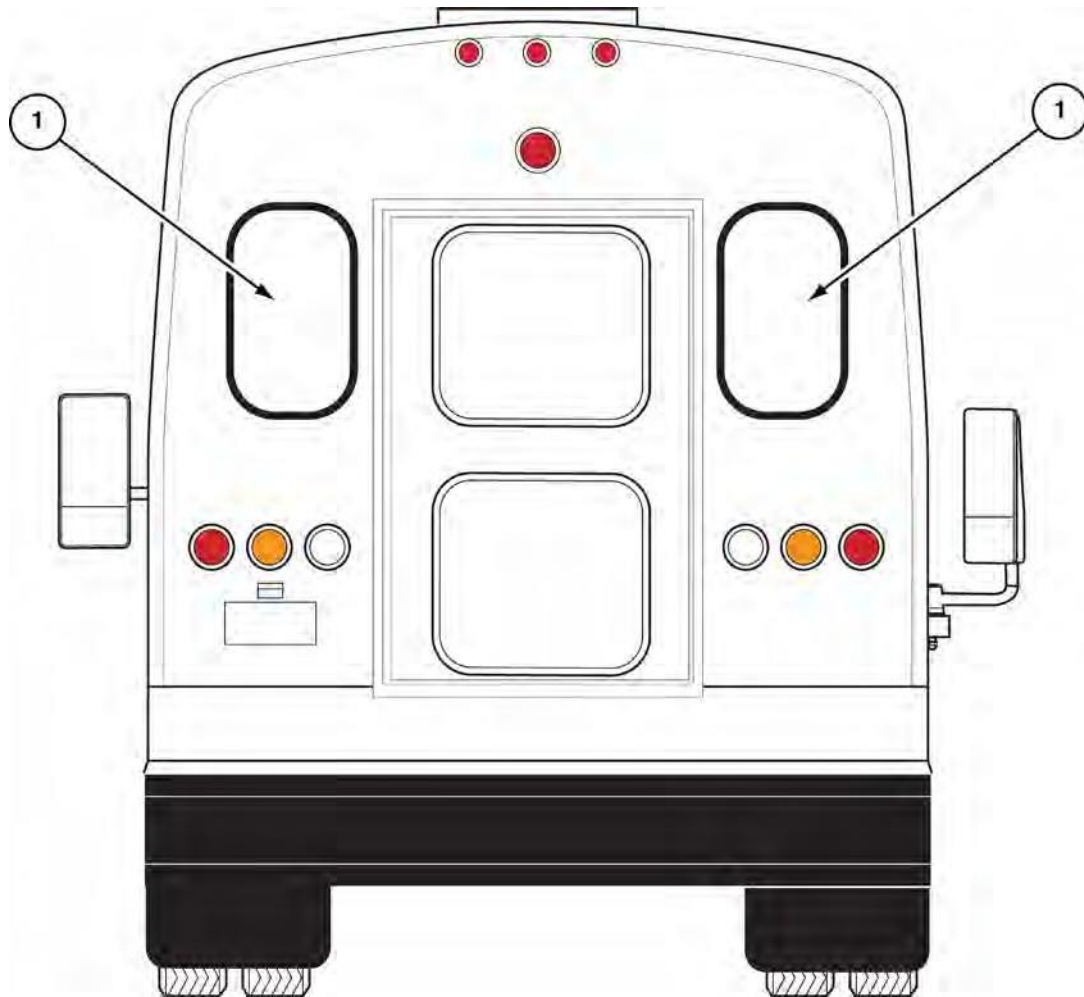
UNIT #23756-23758

<i>ITEM</i>	<i>PART NO.</i>	<i>DESCRIPTION</i>	<i>QTY</i>	<i>ITEM</i>	<i>PART NO.</i>	<i>DESCRIPTION</i>	<i>QTY</i>
NS	5970954	WINDOW, 36.38 x 46.5 SGL CENTER SL. EGRESS	5				
NS	5970956	WINDOW, 36.5 x 36.5 SINGLE CNTR SLIDE EGRESS	1				
NS	5970958	WINDOW, 36.38 x 24.5 SGL CENTER SL. EGRESS	1				
NS	5970090	WINDOW, WING FORD CH/CR					
		1					
NS	5940705	WINDOW, REAR	2				



WING WINDOW
0402620

<i>ITEM PART NO. DESCRIPTION</i>	<i>QTY</i>	<i>ITEM PART NO. DESCRIPTION</i>	<i>QTY</i>
01 5970090 WINDOW, WING	1		



BACKWALL WINDOWS
CX0000052956

<i>ITEM PART NO.</i>	<i>DESCRIPTION</i>	<i>QTY</i>	<i>ITEM PART NO.</i>	<i>DESCRIPTION</i>	<i>QTY</i>
01	5940705 WINDOW (13" x 23")	2			
N/S	8970545 SEAL, WINDOW	1			

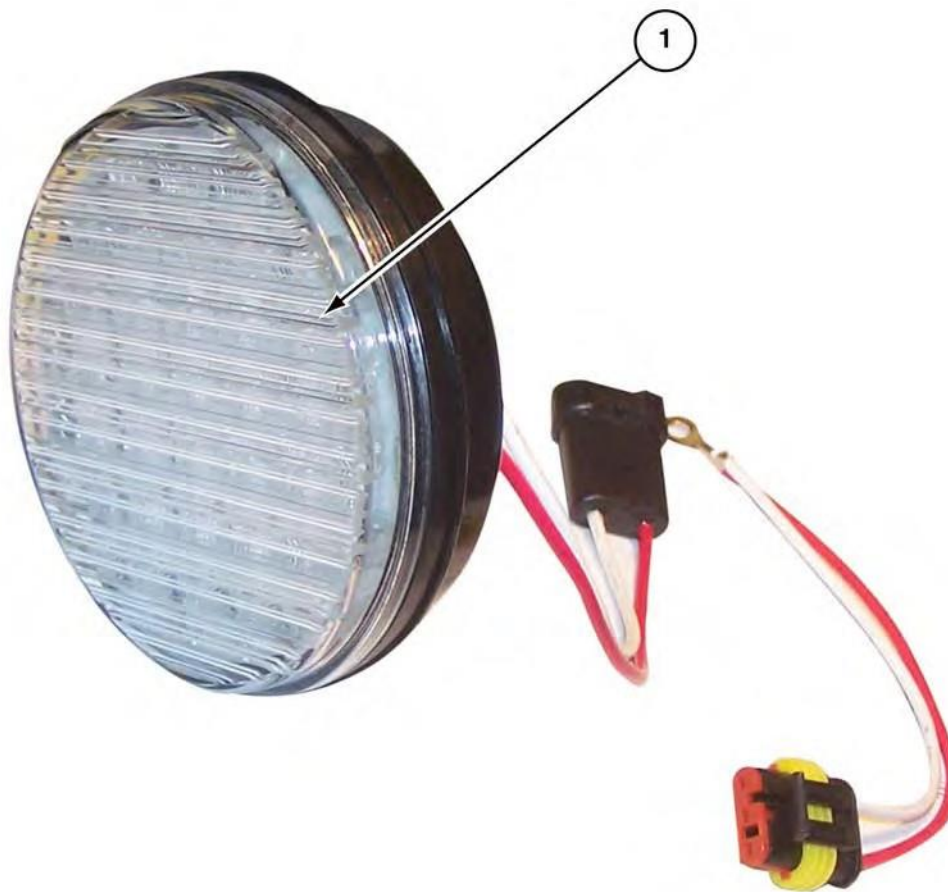


**CHAMPION
BUS, INC.**

Wholly owned subsidiary of Thor Industries, Inc.

SECTION 7:

LIGHTING



ADA EXTERIOR LIGHT
0415615

<i>ITEM PART NO.</i>	<i>DESCRIPTION</i>	<i>QTY</i>	<i>ITEM PART NO.</i>	<i>DESCRIPTION</i>	<i>QTY</i>
01	3973291 LIGHT, 4" DIA CLEAR LED (SOUND	2			



**L.E.D. SIDEMARKER LIGHT
0415671**

<i>ITEM PART NO. DESCRIPTION</i>	<i>QTY</i>	<i>ITEM PART NO. DESCRIPTION</i>	<i>QTY</i>
01 3973470 LIGHT,L.E.D.SIDEMARKER	2		



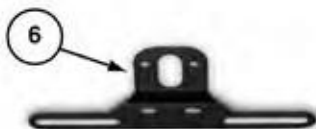
CLEARANCE



STOP/TURN/TAIL



BACKUP



LICENSE PLATE



REFLECTOR

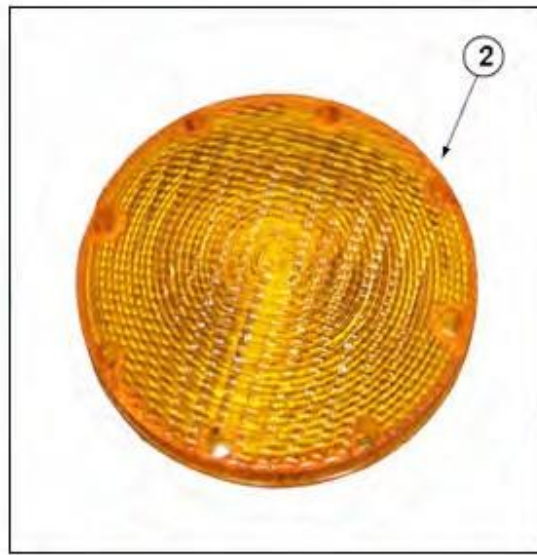
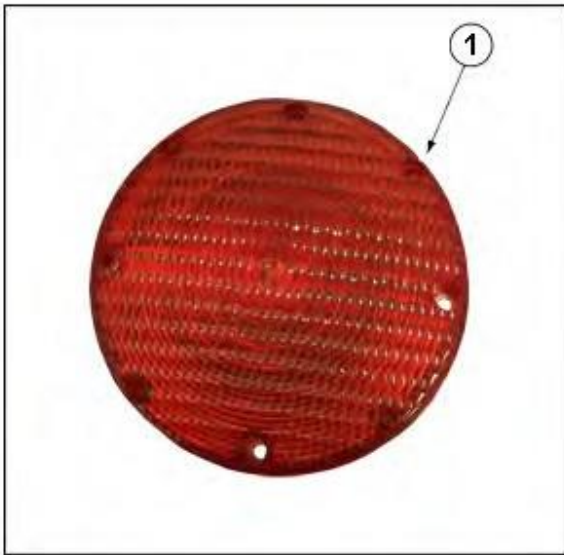


FLASHER

exterior LED backwall Lights

0416963 / 0413226 / ch000023286

ITEM	PART NO.	DESCRIPTION	QTY	ITEM	PART NO.	DESCRIPTION	QTY
1	3973290	LIGHT, LED (2½" RED, SOUNDOFF)	7	N/S	3972996	PIGTAIL, LED EXIT	7
2	3971691	GROM, CLEARANCE LIGHT 2.5" ROUND	7	N/S	3371577	BEZEL, BACKWALL LIGHTS	2
3	3973293	LIGHT, LED STOP/TURN/TAIL RED 4"	4	N/S	3972566	PIGTAIL, MID-TURN SIGNAL	6
4	3974470	LIGHT, LED BACKUP	2	N/S	3970068	REFLECTOR, RECTANGULAR TAPERED	2
5	3972941	LIGHT, LICENSE PLATE	1				
6	3972942	BRACKET, LICENSE LIGHT TRUCK LITE	1				
7	3973915	REFLECTOR, RED 3" SCREW ON	2				
8	3973015	FLASHER, 16 AMP GROTE	1				
N/S	8970394	TAPE, WINDOW SEALEX 1/4x1/2x50	A/R				
N/S	3972774	HARNESS, BACKWALL	1				
N/S	3972773	HARNESS, REAR CLEARANCE LIGHTS	1				
N/S	3972986	GROMMET, RUBBER 4" TAIL LIGHT	6				



LIGHTS, 7" RED & AMBER 0415744

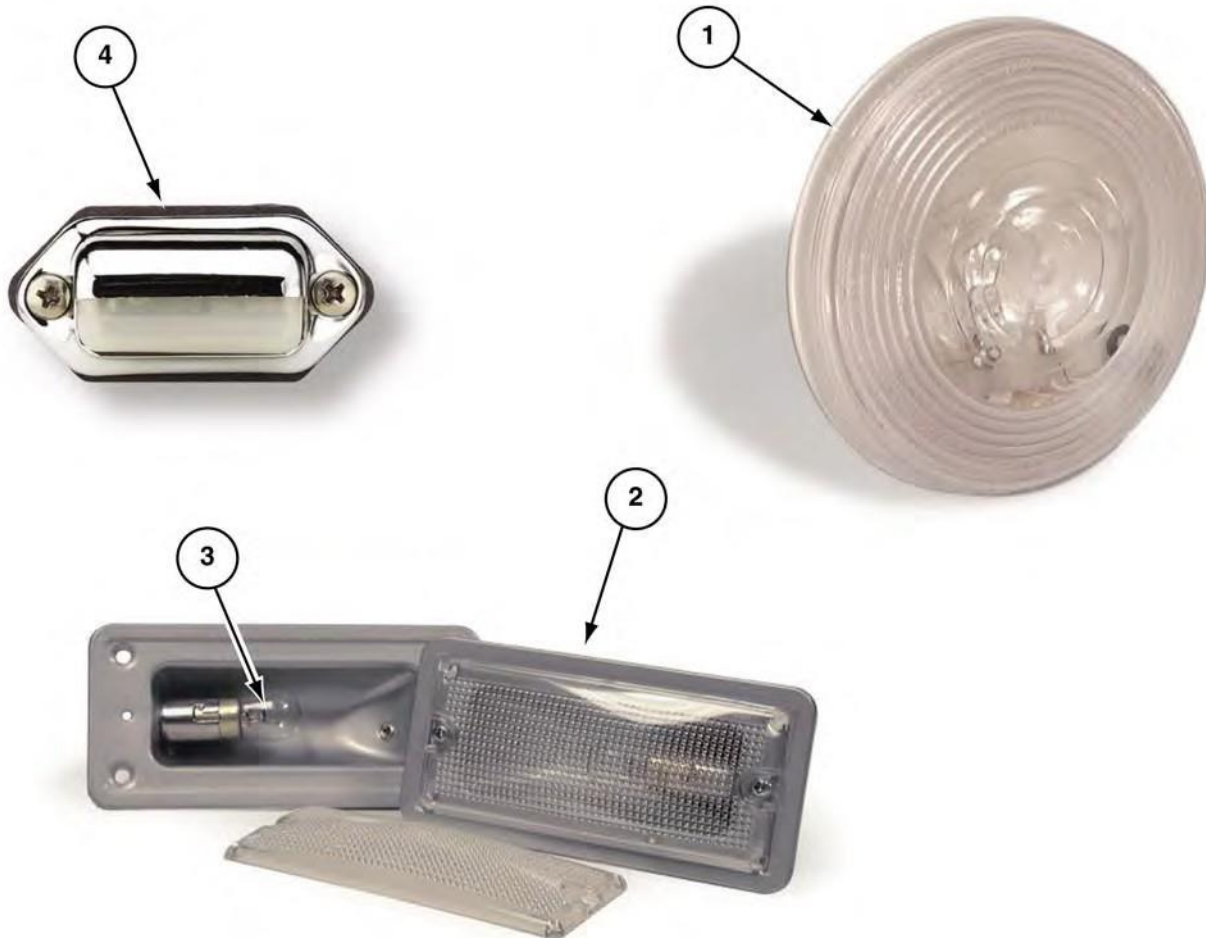
<u>ITEM PART NO.</u>	<u>DESCRIPTION</u>	<u>QTY</u>	<u>ITEM PART NO.</u>	<u>DESCRIPTION</u>	<u>QTY</u>
1	3972856 Light, Red Tail 7"	4			
2	3974106 Light, Amber Tail 7"	2			

1



STEPWELL LIGHT
0415434

<i>ITEM PARTNO. DESCRIPTION</i>	<i>QTY</i>	<i>ITEM PARTNO. DESCRIPTION</i>	<i>QTY</i>
01 3973911 LIGHT, STEPWELL L.E.D. SOUND-OFF	1		

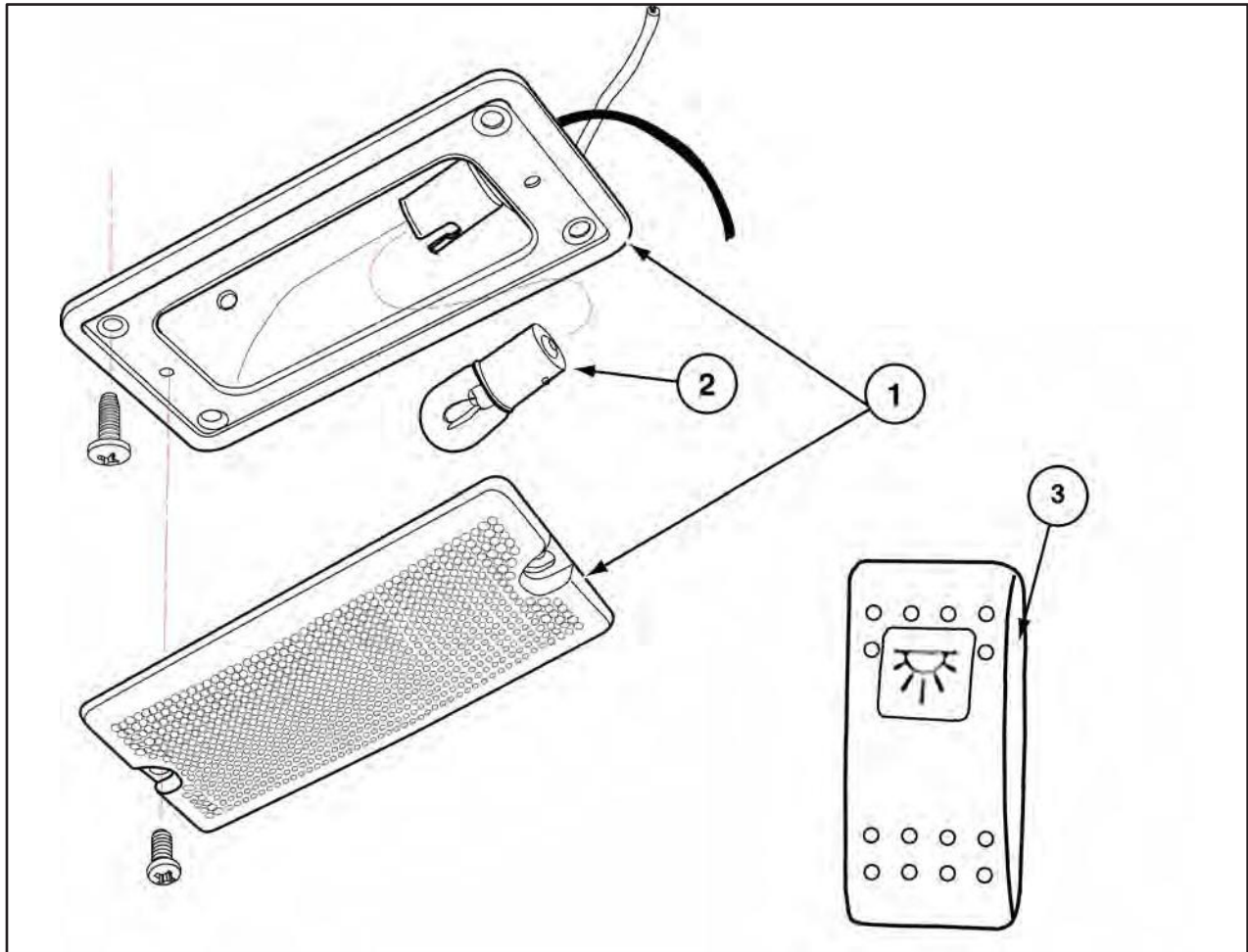


DOOR ACTUATED ENTRY LIGHTING CX-000-900-3174

<i>ITEM PART NO. DESCRIPTION</i>	<i>QTY</i>	<i>ITEM PART NO. DESCRIPTION</i>	<i>QTY</i>
1 3971447 LANDING LIGHT (ADA)	1		
2 3943917 LIGHT WITHOUT SWITCH	1		
03 3971470 BULB	A/R		
04 3971448 LIGHT, COURTESY M434	2		
N/S 3971471 GROMMET, TAIL LIGHT RUBBER	1		

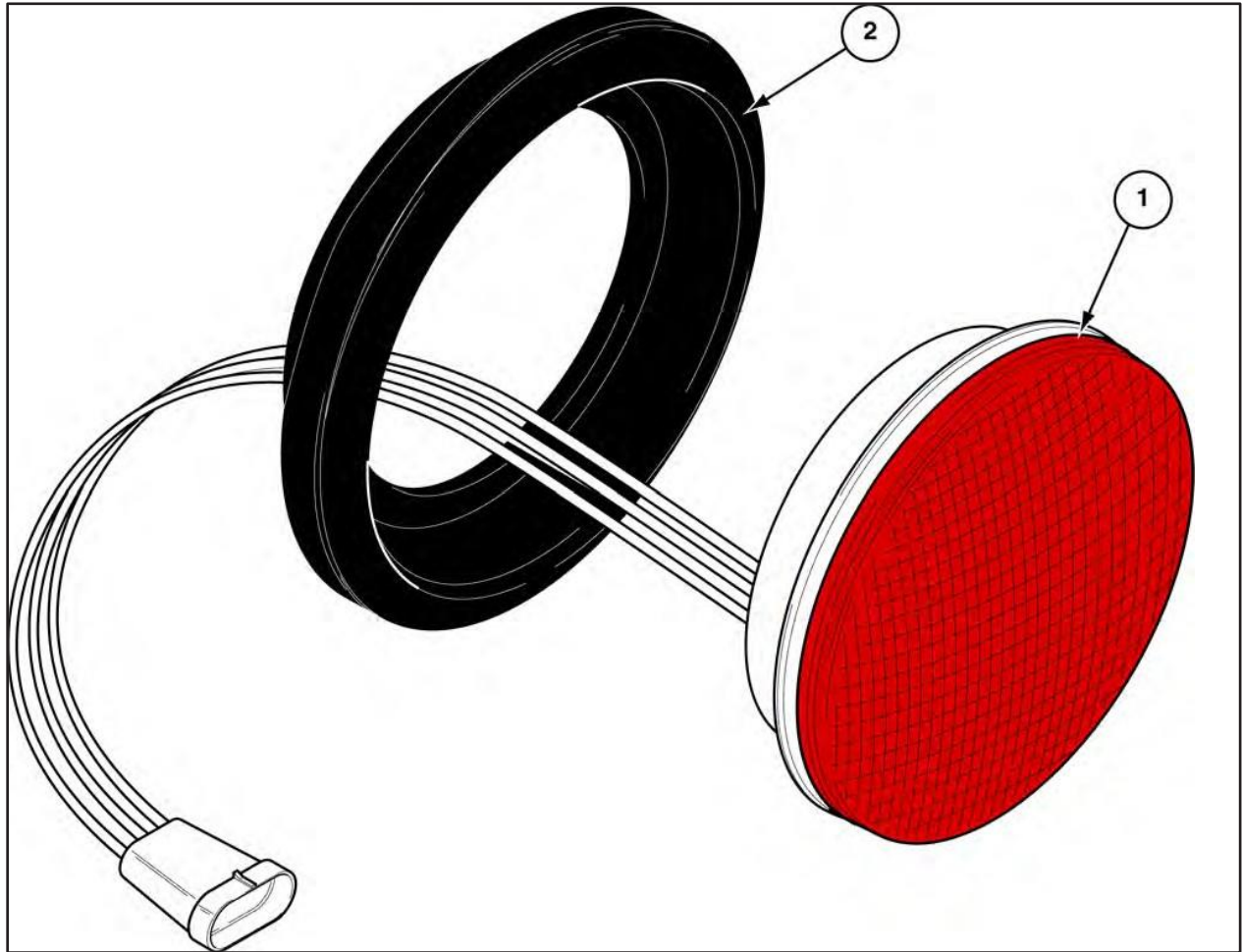


<i>ITEM PART NO.</i>	<i>DESCRIPTION</i>	<i>QTY</i>	<i>ITEM PART NO.</i>	<i>DESCRIPTION</i>	<i>QTY</i>
1	3371024 BEZEL, 4" ROUND INTERIOR LIFT LIGHT	1			
2	3971471 GROMMET, TAIL LIGHT RUBBER	1			
3	3971914 LIGHT, 4" ROUND INTERIOR LIFT	1			
4	3971447 LIGHT, BACKUP ROUND	1			
5	3971963 SWITCH, JAMB DPST CLOSED	1			
6	3371079 COVER, JAMB SWITCH	1			
7	3371674 COVER, LIFT DOOR SWITCH GRAY	1			



INTERIOR DOME LIGHTING 3097

<i>ITEM PART NO. DESCRIPTION</i>	<i>QTY</i>	<i>ITEM PART NO. DESCRIPTION</i>	<i>QTY</i>
01 3943917 LIGHT, DOME WITHOUT SWITCH	AR	REFERS TO ALL ASSEMBLIES LISTED BELOW:	
02 3971470 BULB (1141)	AR	CH-000-900-3097 (REV-A)	
03 3945193 SWITCH, CARLING ON/OFF/ON	1	CH-220-999-3097 0403157	
N/S 3973901 ACTUATOR, BLANK	1	CH-250-999-3097 0403077	
		CH-251-999-3097 0415381	
		CH-270-999-3097 CX0000023097 (REV-A)	
		CH-280-999-3097 CT-330-900-1221	
		CR-211-999-3097 0415383	
		CT-330-999-3097	
		CT-380-900-1221	
		DF-290-999-1221	
		DF-310-999-1221	



Rear Center Brake Light - Led

Cx000SO20046 / 0413229

<i>ITEM PART NO. DESCRIPTION</i>	<i>QTY</i>	<i>ITEM PART NO. DESCRIPTION</i>	<i>QTY</i>
1 3973293 Light, 4" Red Stop/T/T	1		
2 3971471 Grommet, Tail Light Rubber	1		
3 3972986 Grommet, 4" Light	1		
NS 3972920 Harness, Rear Center Brake Light	1		



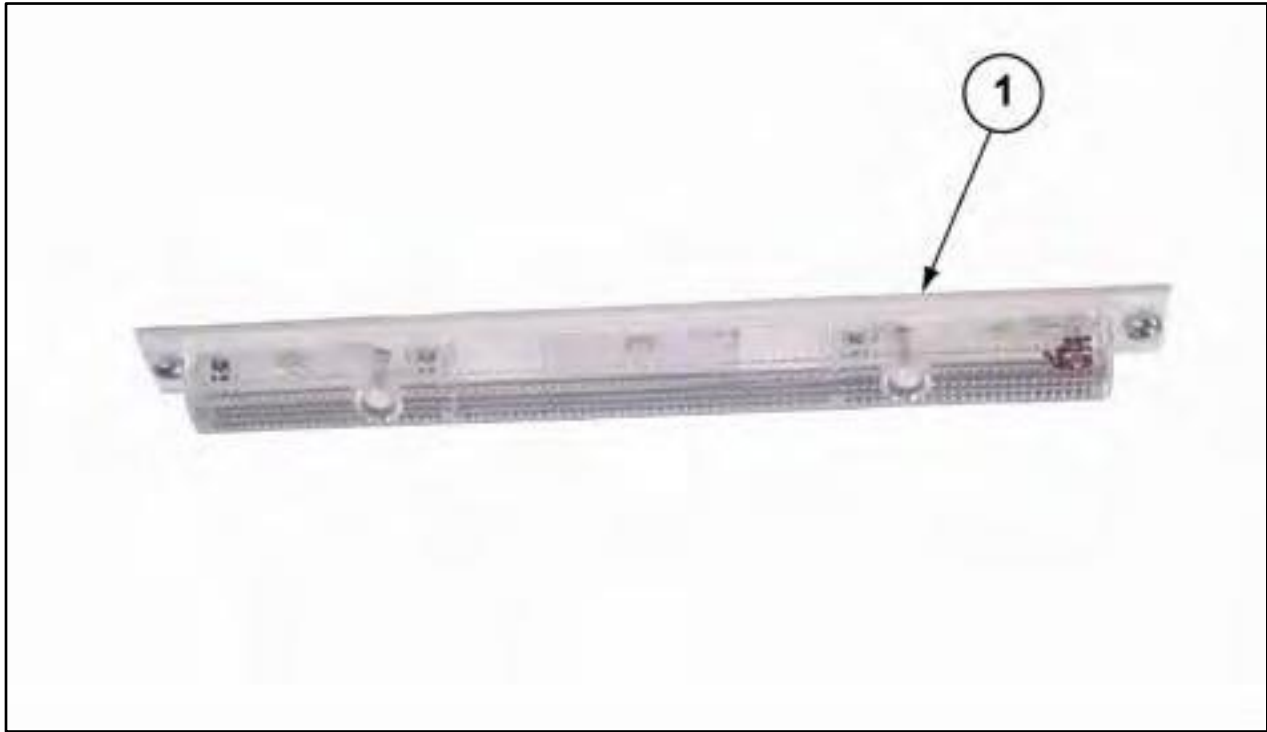
ENGINE COMPARTMENT LIGHT LED sTRIP (6") 0418976-PdOT

<i>ITEM</i>	<i>PART NO.</i>	<i>DESCRIPTION</i>	<i>QTY</i>	<i>ITEM</i>	<i>PART NO.</i>	<i>DESCRIPTION</i>	<i>QTY</i>
1	3975336	Light, Engine Comp LED 6" Strip	1				
2	3975474	Bracket, Hood Light Plunger Switch	1				
NS	3975426	Switch, Momentary Plunger	1				



TWIN VISION DESTINATION SIGNS 0417334

<i>ITEM PART NO. DESCRIPTION</i>	<i>QTY</i>	<i>ITEM PART NO. DESCRIPTION</i>	<i>QTY</i>
1 3974702 Sign, Destination 14 x 72-8MM LED	1		
2 3974703 Sign, Destination 14 x 108-8MM LED	1		
3 8970861 Console, OCU TwinVision W/RS 232	1		
04 3973278 Converter, 12V-24V 10A DC	1		
NS 8970917 Card, PCMCIA 1.0 MEG	.2		
NS 8970804 ELYSE, Software (License Fee)	.2		
NS 0377524 Bracket, Twin Vision Frnt Dest Sign	1		
NS 0377895 Bracket, Dest. Sign (Twin Vision)	1		
NS 3974660 Harness, Dest Sign Front	1		



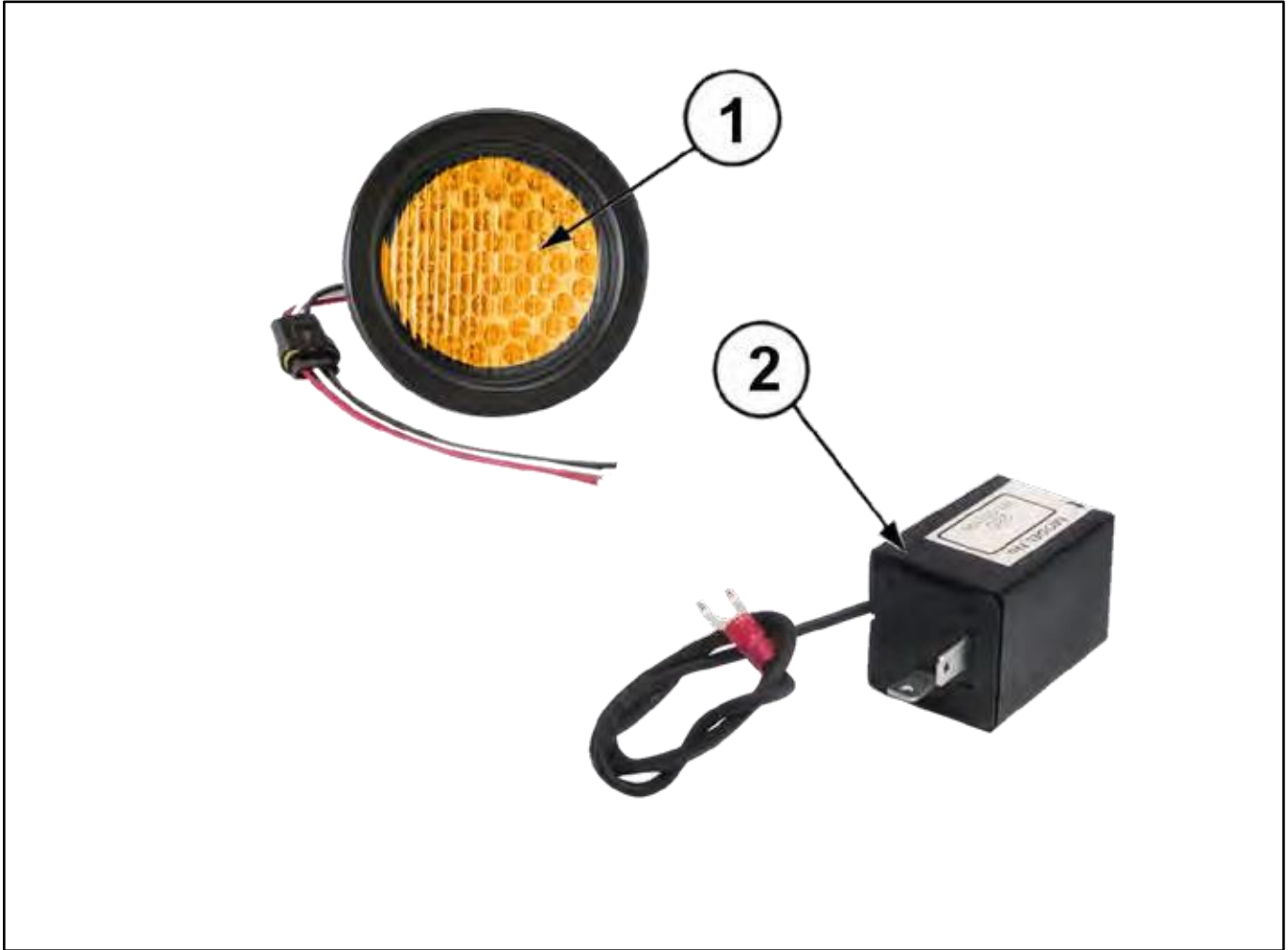
INTERIOR LIGHTS, 12" LED STRIP
0416399 / 0418715 / 0416399-PDOT/ 0420455

<i>ITEM</i>	<i>PART NO.</i>	<i>DESCRIPTION</i>	<i>QTY</i>	<i>ITEM</i>	<i>PART NO.</i>	<i>DESCRIPTION</i>	<i>QTY</i>
01	3974361	Light, LED Strip 12"	AR				
NS	3972645	Breaker, 5 AMP Manual Reset	1				
NS	3974526	Harness, Center Lights	1				
		<i>0420455 Lights, Soor Actuated Dome PDOT</i>					
NS	3974628	Relay, 40 AMP 12 Volt Spemco	1				



STRIP LIGHT, LED STEPWELL DOOR HEADER
PA0000026373

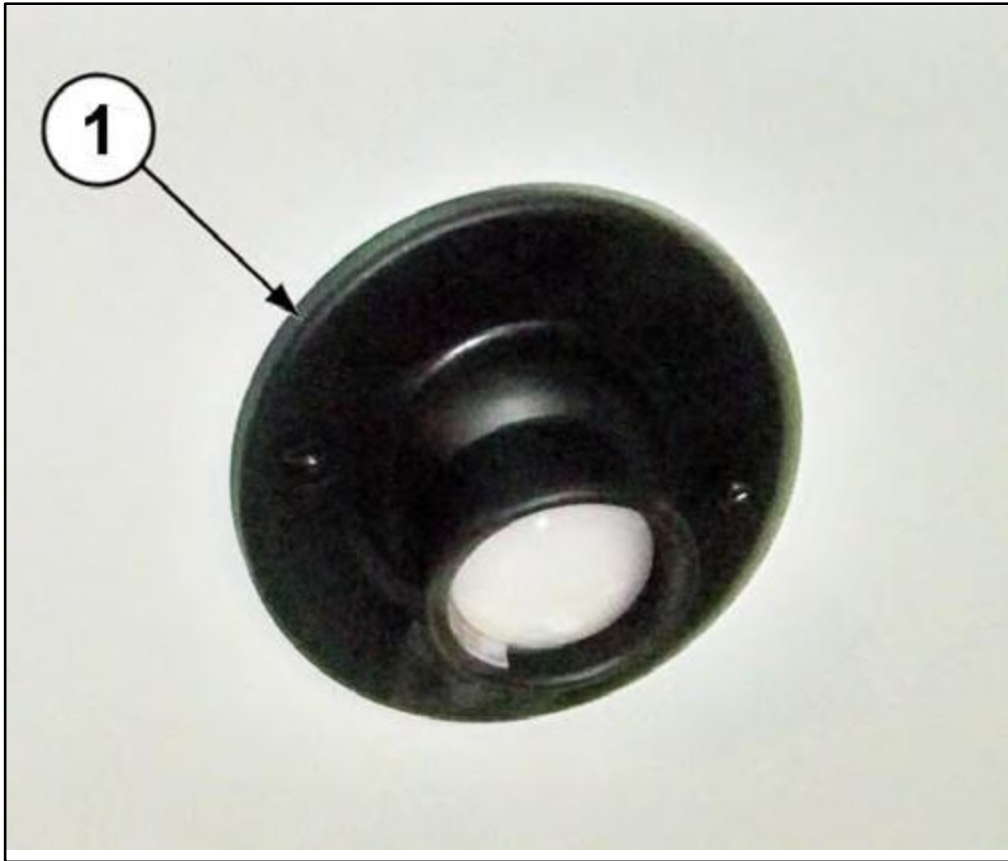
<i>ITEM</i>	<i>PART NO.</i>	<i>DESCRIPTION</i>	<i>QTY</i>	<i>ITEM</i>	<i>PART NO.</i>	<i>DESCRIPTION</i>	<i>QTY</i>
01	3974506	Light, LED Stepwell P-DOT	1				



LIGHTS - FLASHING AMBER

0415797

<u>ITEM</u>	<u>PART NO.</u>	<u>DESCRIPTION</u>	<u>QTY</u>	<u>ITEM</u>	<u>PART NO.</u>	<u>DESCRIPTION</u>	<u>QTY</u>
1	3973292	Light, LED 4" Amber T/T Soundoff	4				
2	3973271	Flasher, Solid State 6A-LED	1				
NS	3972986	Grommet, 4" Light Peterson	4				
NS	3972645	Breaker, 5 AMP Manual Reset	1				
NS	3971529	Terminal, Relay Base	1				
NS	3973881	Switch, Carling, ON/OFF	1				
NS	3973886	Switch, Connector Plug	1				
NS	3973901	Actuator, Blank	1				



**driver's swivel led light
0419123**

<u>ITEM</u>	<u>PART NO.</u>	<u>DESCRIPTION</u>	<u>QTY</u>	<u>ITEM</u>	<u>PART NO.</u>	<u>DESCRIPTION</u>	<u>QTY</u>
01	3975335	Light, Driver Swivel LED	1				

NOTE: *Picture may not represent actual light.*



Strobe Light CX0000020063

<i>ITEM PART NO. DESCRIPTION</i>	<i>QTY</i>	<i>ITEM PART NO. DESCRIPTION</i>	<i>QTY</i>
01 3971476 Light, Strobe Amber 768A	1		
NS 8970730 Lens, Strobe Light Clear	1		
NS 3973896 Actuator, Strobe Light	1		

**PICTURE NOT AVAILABLE
AT THIS TIME**

**FOG LiGhts - cLear
cx0000023319**

ITEMPART NO.	DESCRIPTION	ITEMPART NO.	DESCRIPTION
N/S 3974971	Light, Fog Clear Hella Kit 1		

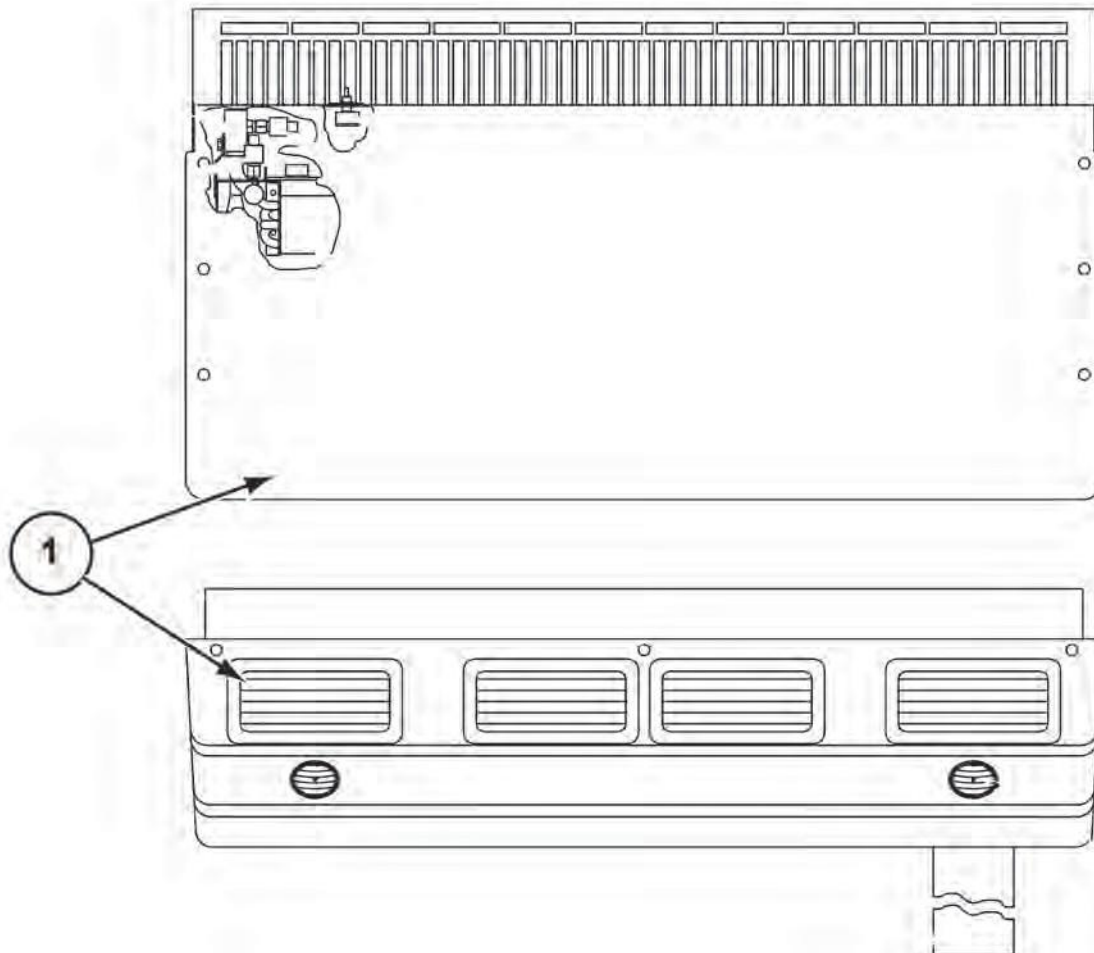


**CHAMPION
BUS, INC.**

Wholly owned subsidiary of Thor Industries, Inc.

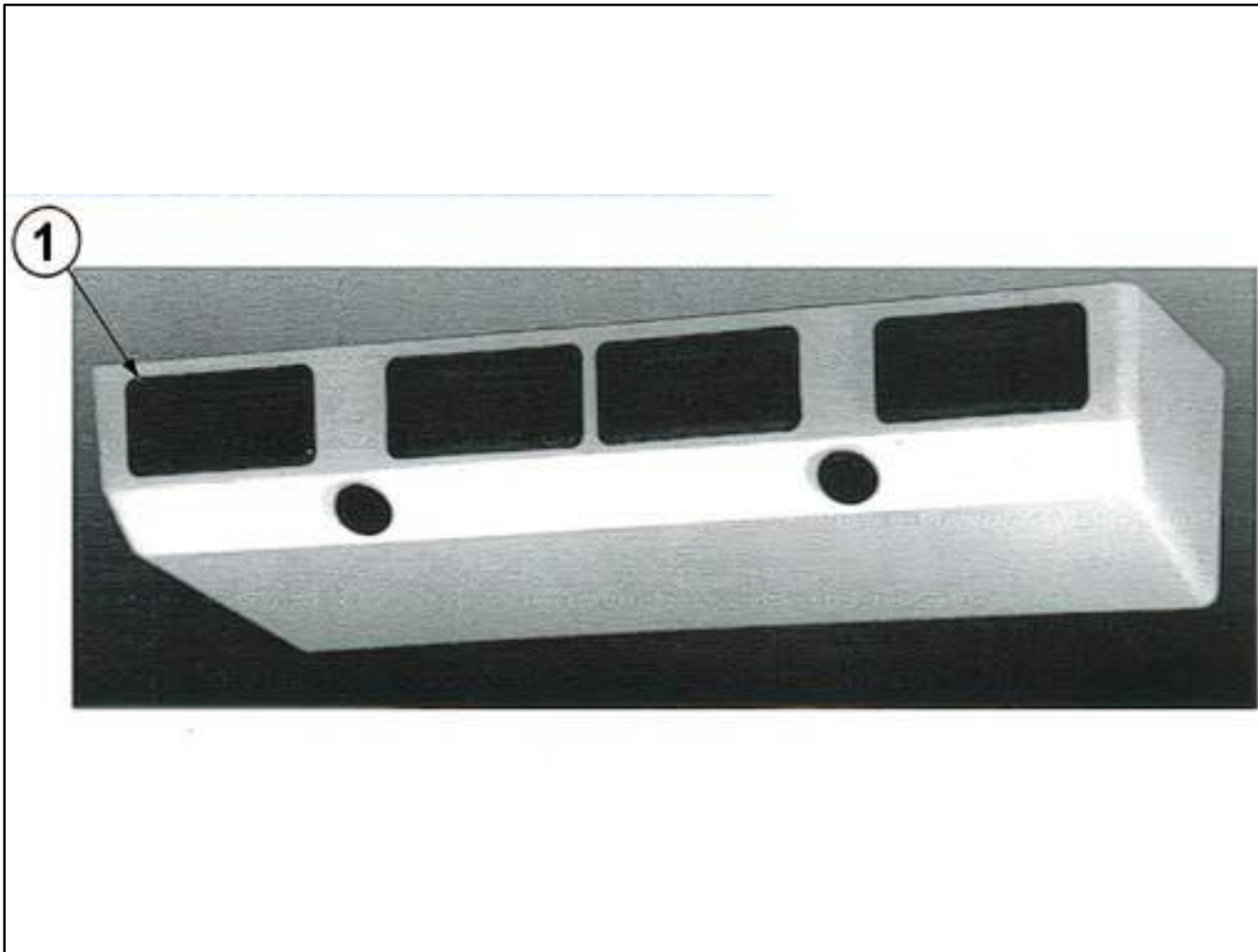
SECTION 8:

HEATING & COOLING



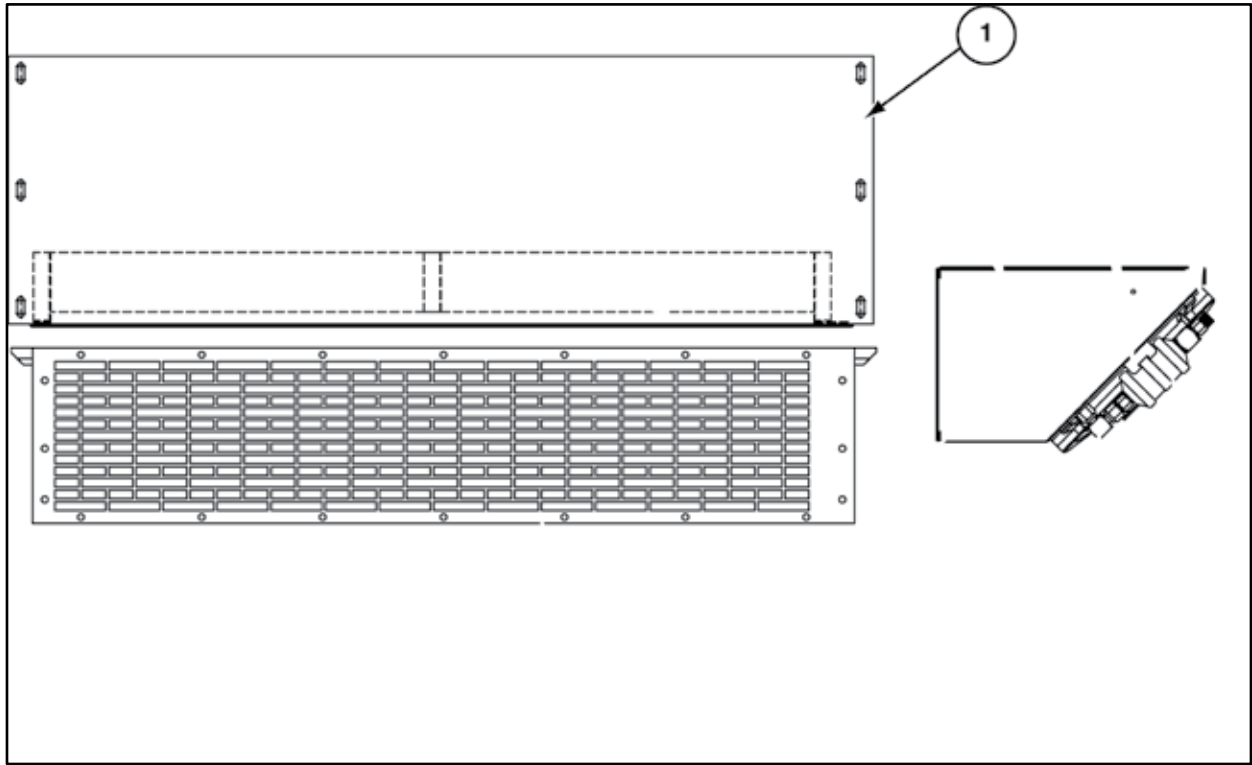
EVAPORATOR EZ-5 ACT SYSTEM 0411277, 0410289(P-DOT) (REV-A)

<i>ITEM PART NO. DESCRIPTION</i>	<i>QTY</i>	<i>ITEM PART NO. DESCRIPTION</i>	<i>QTY</i>
01 1770965 Evaporator, EZ-5 ACT	1		
NS 0374655 Bracket, Air Conditioner Mount	2		
0402959 Install, PAD Evaporator EM-1-2			
NS 0970014 Lauan, Raw 3.6 x 48 x 96	AR		
NS 7371128 Vinyl, Harbor Moonbeam	AR		
NS 8570697 Staple, CO3 GAAPM Silver	AR		
NS 8570948 Screw, 8 x 3/4 RND Phil Washer	3		



ACT EVAPORATOR EZ-5 ADJ LOUVERS 1772106

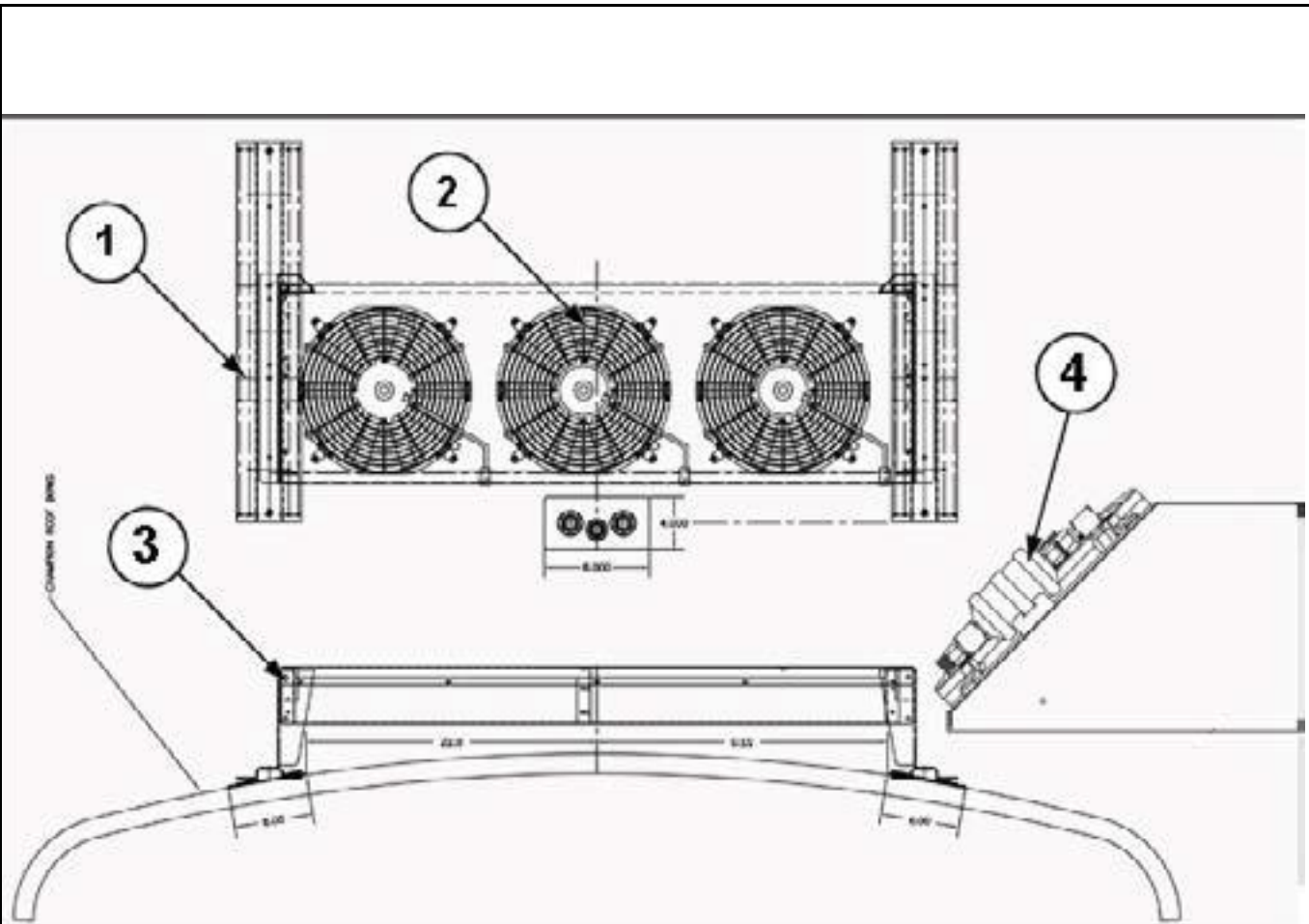
<u>ITEM</u>	<u>PART NO.</u>	<u>DESCRIPTION</u>	<u>QTY</u>	<u>ITEM</u>	<u>PART NO.</u>	<u>DESCRIPTION</u>	<u>QTY</u>
01	1772106	Evaporator, EZ-5 ACT W/Adj. Louvers	1				
NS	0374655	Bracket, Air Conditioner Mount	2				
NS	2970234	Tape, Insulation x 30 Feet	.2				
 0402959 Install, Pad Evaporator							
NS	7371128	Vinyl, Harbor Moonbeam	.2				
NS	8570697	Staple, CO3 BAAPM Silver	.2				
NS	8570948	Screw, 9 x 3/4 Rnd Phil Washer T2 EM	3				



A/C CONDENSER, CS-3 ACT

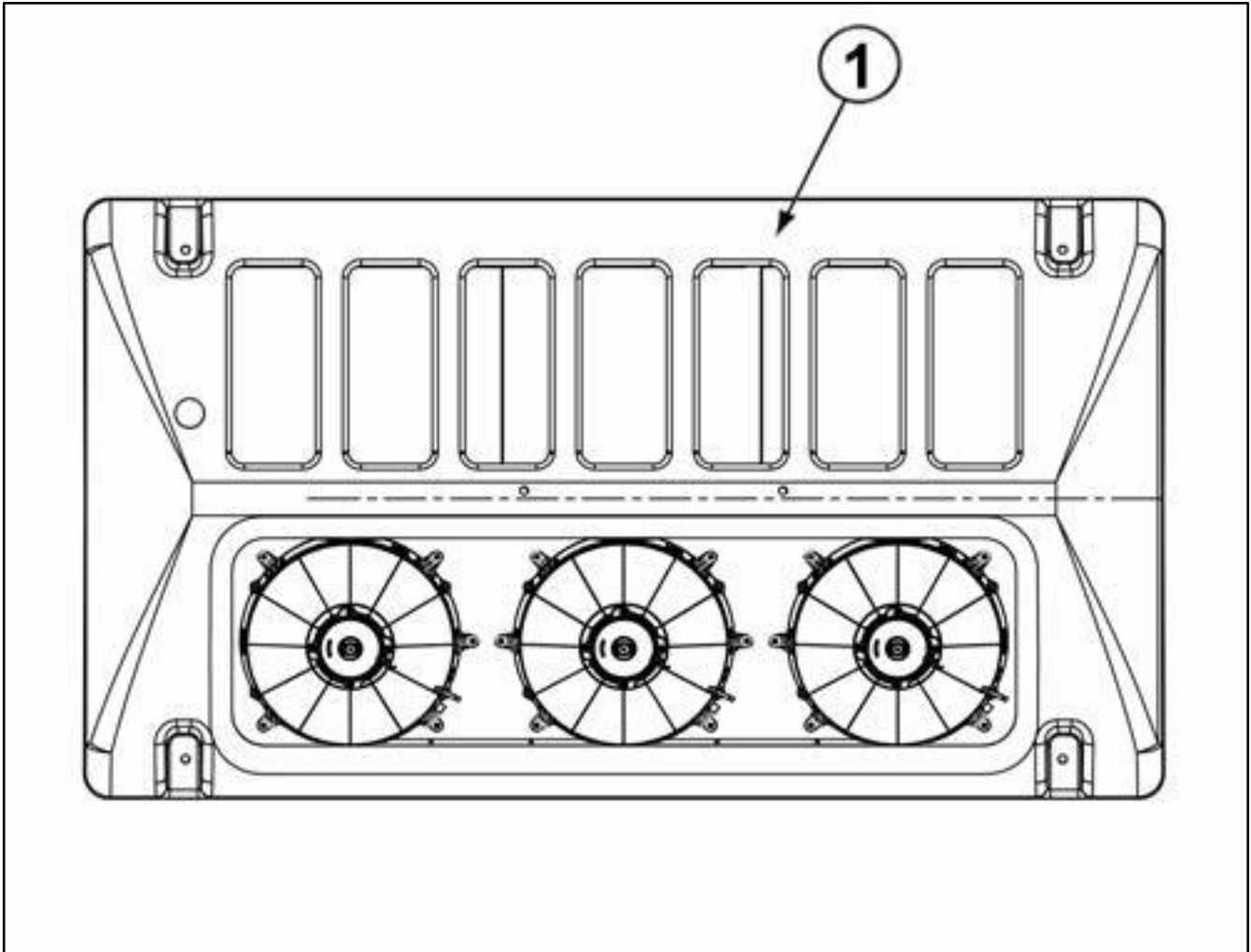
0411278 / 0410289(P-DOT) (REV-A)

<i>ITEM PART NO. DESCRIPTION</i>	<i>QTY</i>	<i>ITEM PART NO. DESCRIPTION</i>	<i>QTY</i>
01 1770966 Condenser, CS-3 ACT	1		
NS 0372771 Support, Side Pan 18.5"	2		
NS 3973249 Harness, Condenser Red GEN-5	18		
NS 3970290 Terminal, Heat Shrink Ring 16-14 #10	2		
NS 3971612 Terminal, Heat Shrink Ring 12-10 1/4	1		



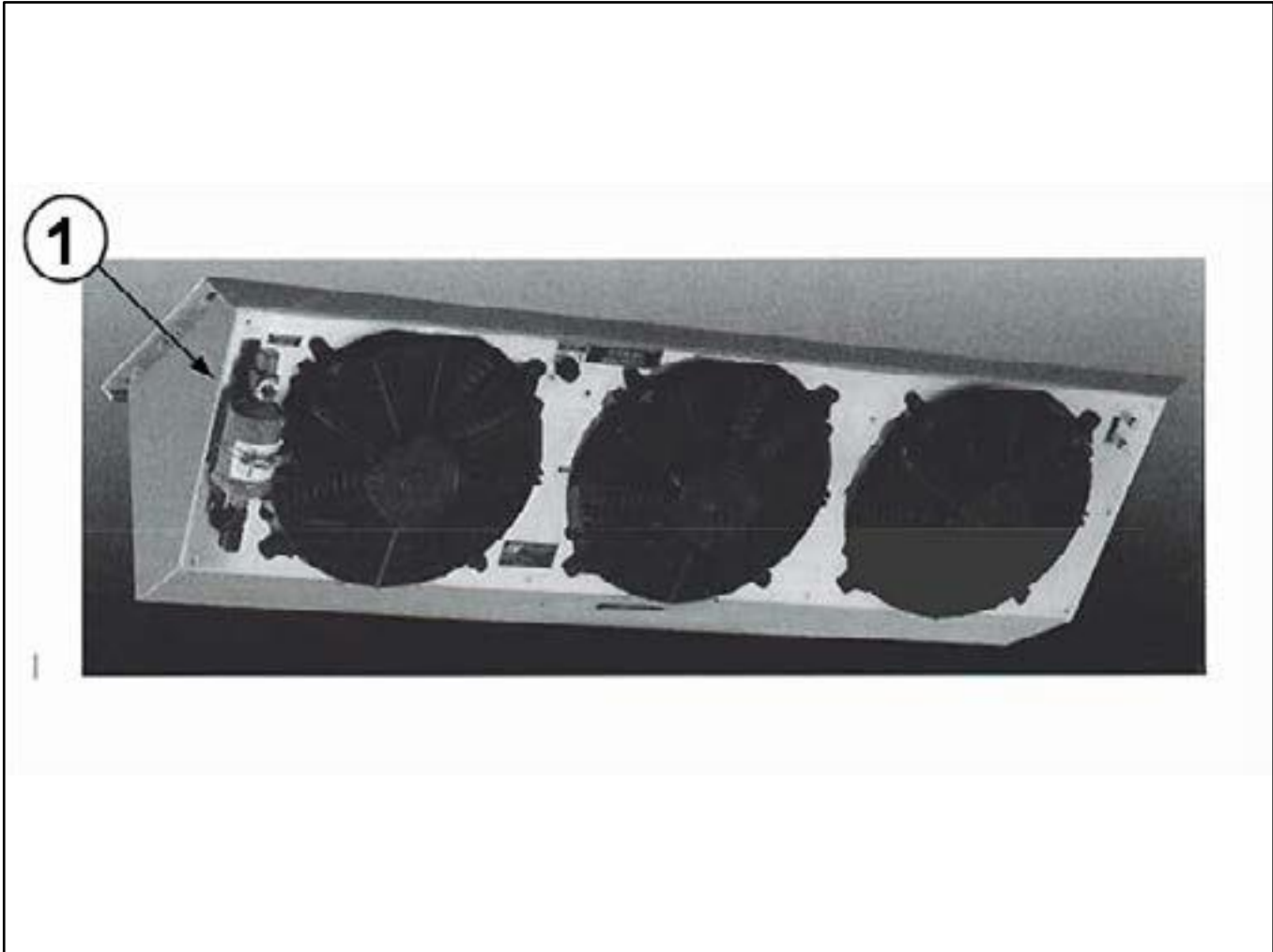
**condenser, cr-3 act rooftop
1771552**

<i>ITEM</i>	<i>PART NO.</i>	<i>DESCRIPTION</i>	<i>QTY</i>	<i>ITEM</i>	<i>PART NO.</i>	<i>DESCRIPTION</i>	<i>QTY</i>
1	1771552	CONDENSER, CR-3 ACT ROOFTOP	1				
2	1012460	PANCAKE FAN, CONDENSER	3				
3	1771556	KIT, CONDENSER ROOF RAIL CR-3	1				
4	1013723	FILTER DRIER, W/SIGHTGLASS COMBO	1				



rooftop condenser cr-3
1771948

<i>ITEM PART NO. DESCRIPTION</i>	<i>QTY</i>	<i>ITEM PART NO. DESCRIPTION</i>	<i>QTY</i>
01 1771948 Condenser, CR-3 ACT Rooftop GEN II	1		



**act cs-3 condenser
1772015**

<i>ITEM PART NO. DESCRIPTION</i>	<i>QTY</i>	<i>ITEM PART NO. DESCRIPTION</i>	<i>QTY</i>
01 1772015 Condenser, CS-3 Coated Skirt Mat	1		
NS 3975631 Cable, Gray Condenser ACT	AR		



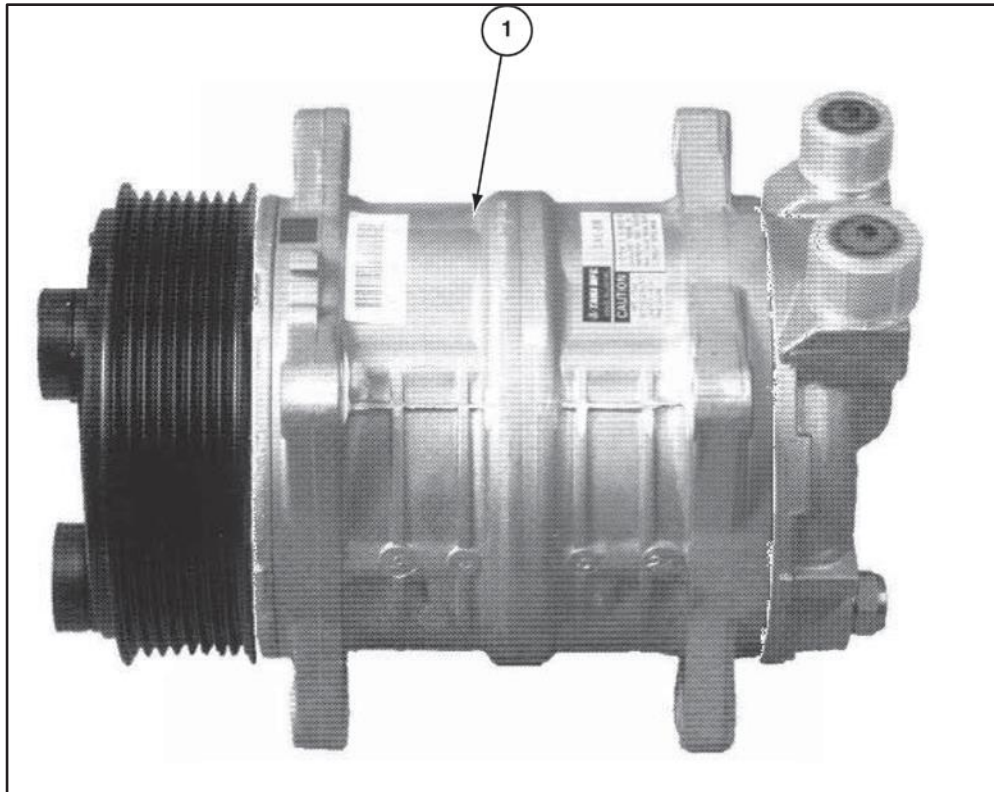
A/c compressor, Act system 0410289 / 1771506

<i>ITEM PART NO. DESCRIPTION</i>	<i>QTY</i>	<i>ITEM PART NO. DESCRIPTION</i>	<i>QTY</i>
01 1771506 Compressor, TM-16 ACT PAD POLY	1	0411280 Install, AC Hoses ACT 52K EZ-Clip	
NS 1771644 Mount, Compressor Ford 6.8L TM16	1	NS 1770946 Hose, #10 Refrig. EZ-Clip	15
NS 1771461 Tube, Insulation Carrier	1	NS 1770947 Hose, #12 Refrig. EZ-Clip	30
NS 1771545 Kit, AC 52K ACT W/O Board	1	NS 1770945 Hose, #8 Refrig. EA-Clip	20
NS 1770943 Kit, Comp FTG Adj TM-16 W/EZ Clip	1	NS 3971520 Clamp, Vinyl Coated Steel 2"	2
NS 0417324 Harness, Carrier Single	1	NS 3971351 Harness, Evaporator	27
NS 3973742 Holder, Fuse Bussman	1	NS 3971514 Tie, Wrap 15"	8
NS 3972422 Fuse, MEGA 100 AMP	1	NS 3941796 Loom, 3/4" Nylon W/Stripe Hi-Temp	32
		NS 3946829 Loom, 1" Split Nylon w/Stripe Hi Tem	60



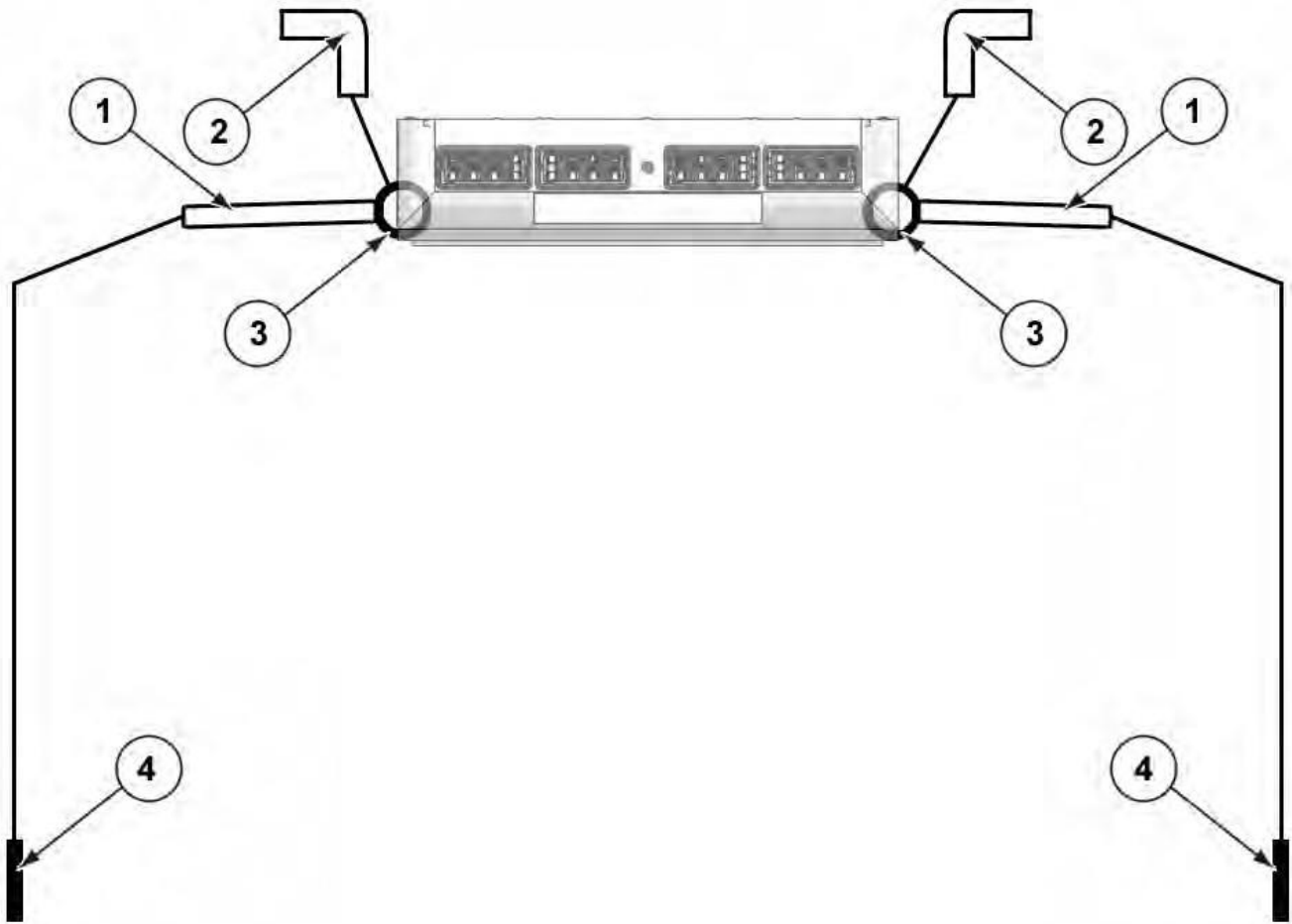
tm-16 compressor
1771506 - Ford

<i>ITEM</i>	<i>PART NO.</i>	<i>DESCRIPTION</i>	<i>QTY</i>	<i>ITEM</i>	<i>PART NO.</i>	<i>DESCRIPTION</i>	<i>QTY</i>
01	1771506	Compressor, TM-16 ACT Pad Poly	2				
NS	1771797	Mount, 2011 Ford E350'450 5.4/6.8	1				
NS	3975385	Sensor, TPS (Ford)	1				



A/c compressor, Act system 0416421 / 1770944

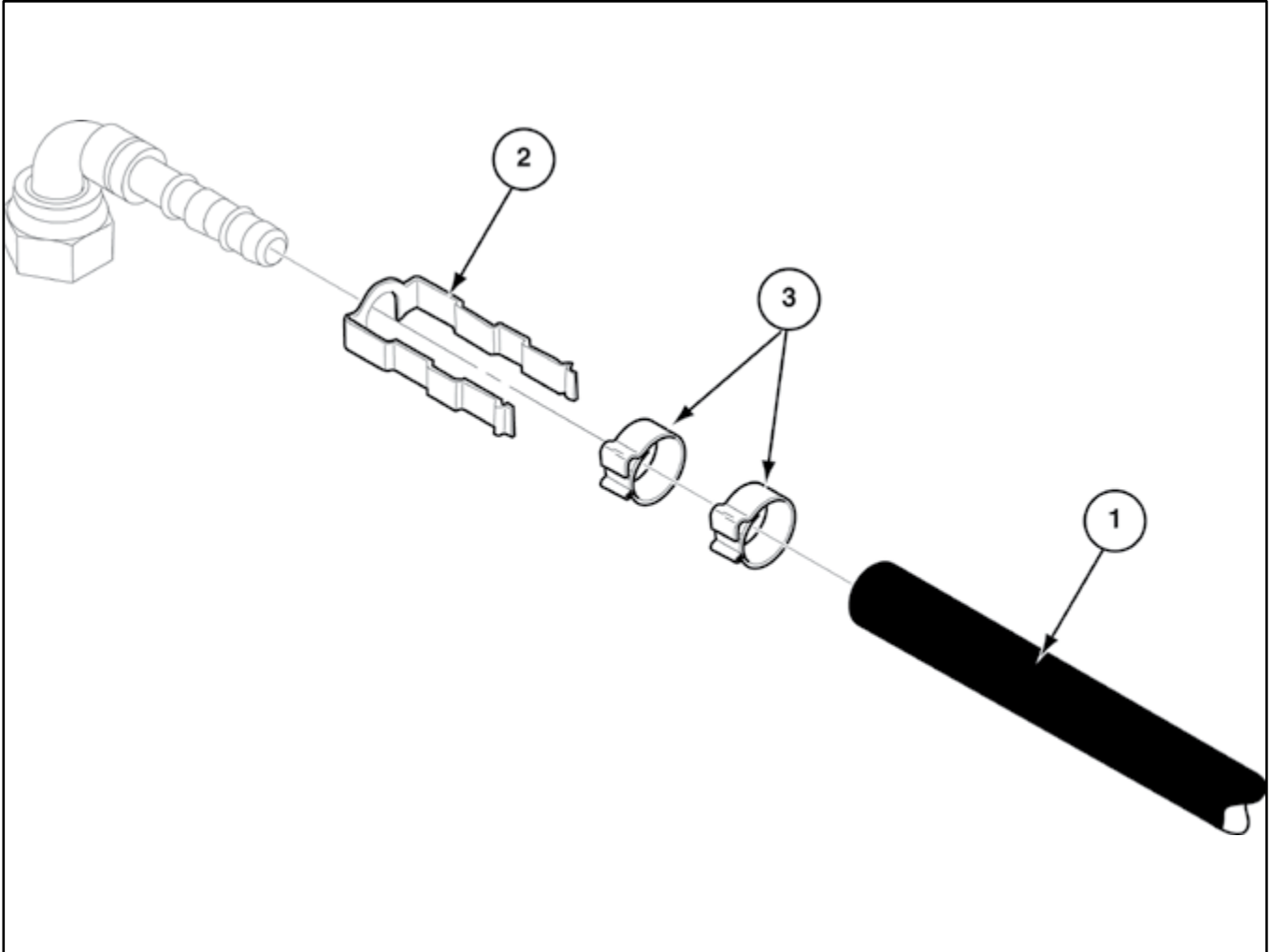
<i>ITEM PART NO. DESCRIPTION</i>	<i>QTY</i>	<i>ITEM PART NO. DESCRIPTION</i>	<i>QTY</i>
01 1770944 Compressor, 400-003 ACT	1		
NS 1771498 Mount, Compressor Ford 6.8L TM16	1		



A/C Dr Ain I nes

0402955 / 0416421

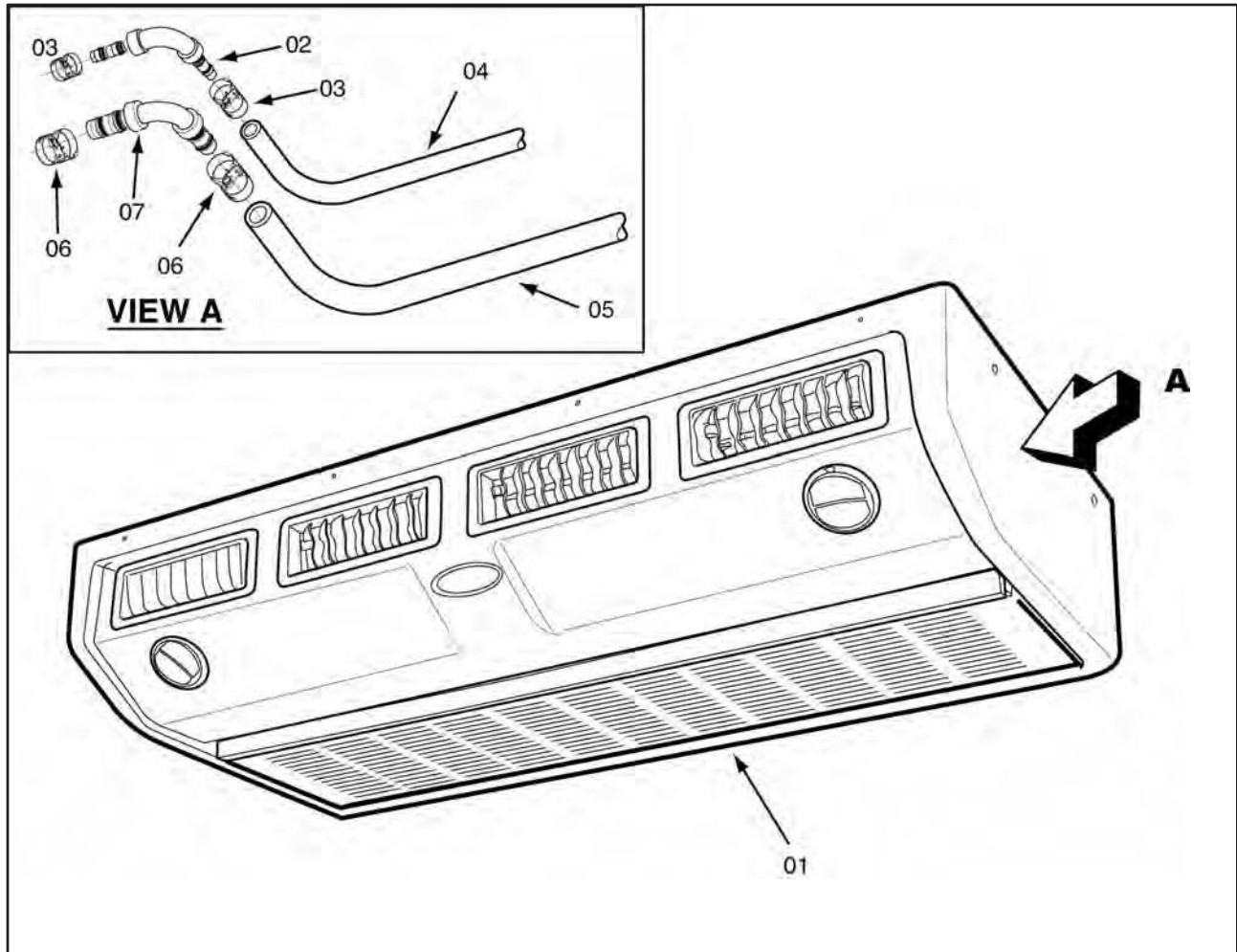
<i>ITEM PART NO. DESCRIPTION</i>	<i>QTY</i>	<i>ITEM PART NO. DESCRIPTION</i>	<i>QTY</i>
01 1770478 Hose, Drain 1/2" Clear	A/R		
02 2970226 Elbow, Drain Hose	2		
03 3973928 Grommet, Rubber .50"	2		
04 1770715 Valve, Kazoo 5/8	2		



A/C HOSE & FITTINGS (ACT)

0416421p-dOT, 0411280p

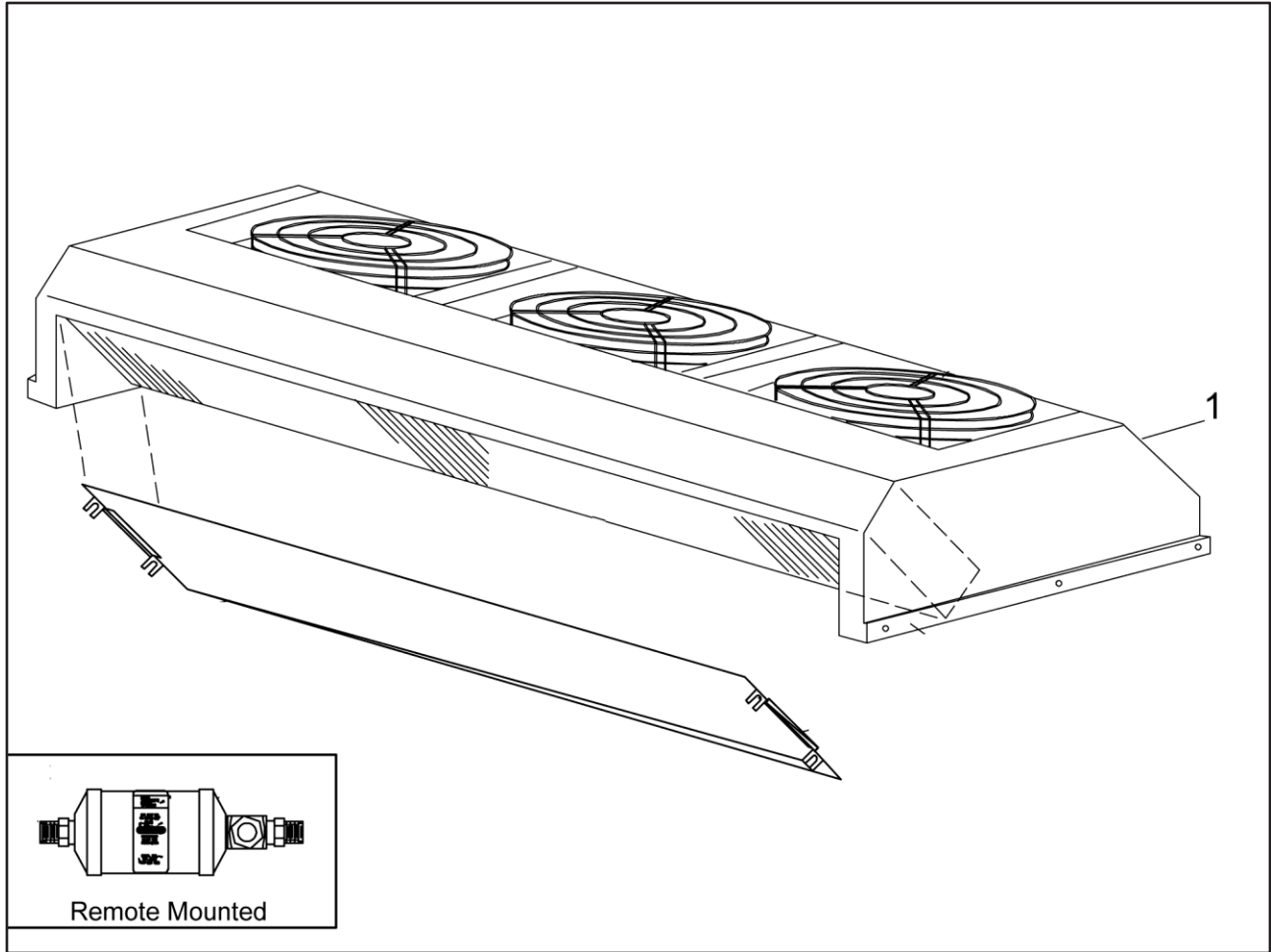
<i>ITEM</i>	<i>PART NO.</i>	<i>DESCRIPTION</i>	<i>QTY</i>	<i>ITEM</i>	<i>PART NO.</i>	<i>DESCRIPTION</i>	<i>QTY</i>
01	1770945	HOSE, #8 Refrig. EZ-Clip	A/R	NS 3971520	CLAMP, VINYL COATED STEEL 2"		2
	1770946	HOSE, #10 Refrig. EZ-Clip	A/R	NS 3971351	HARNESS, EVAPORATOR GRAY	AR	
	1770947	HOSE, #12 Refrig. EZ-Clip	A/R	NS 3971514	TIE, WRAP 15"		8
02	1771095	CAGE, FITTING (#8)	2	NS 3941796	LOOM, 3/4" NYLON W/STRIPE HI-T	AR	
	1771096	CAGE, FITTING (#12)	2	NS 3946829	LOOM, 1" SPLIT NYLON W/STRIPE	AR	
03	1771097	CLIP, FITTING (#8)	4				
	1771098	CLIP, FITTING (#12)	4				



Evaporator Em-1 gEn 5

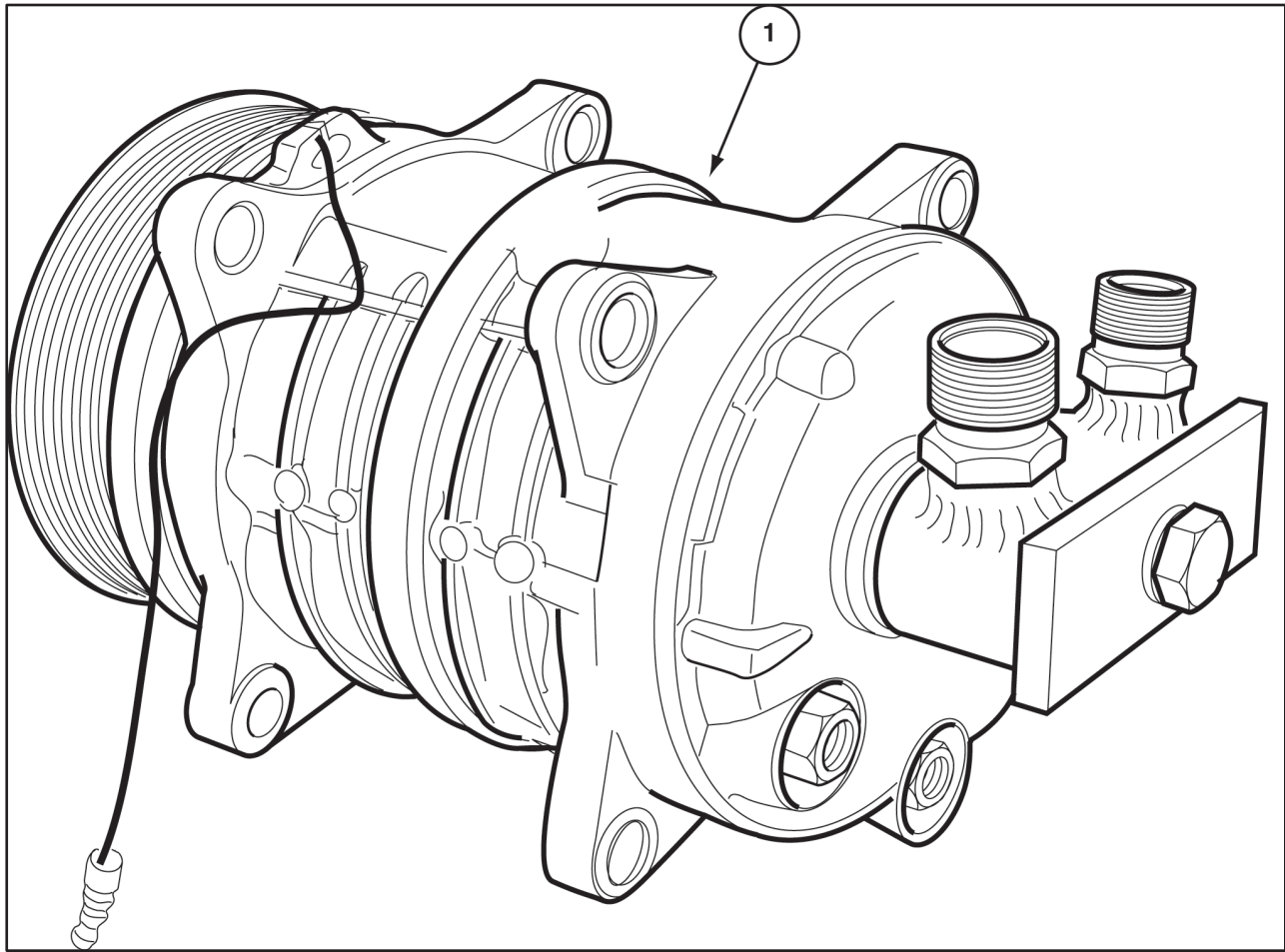
CH00FU47008/ CH00FS47008 / 0410484

<i>ITEM PART NO. DESCRIPTION</i>	<i>QTY</i>	<i>ITEM PART NO. DESCRIPTION</i>	<i>QTY</i>
01 1770916 Evaporator, EM-1 Gen 5	1		
02 2971038 Fitting, 90° (#8 x #8 AC)	1		
3 2970850 Fitting, Quickclick #8 Clamp	1		
4 1770841 Hose, #8 Quickclick	AR		
5 1770843 Hose, #12 Quickclick	AR		
6 3971520 Clamp, Vinyl Coated Steel 2"	2		
07 2971039 Fitting, 90° (#12 x #12 AC)	1		
NS 0402959 Install, PAD Evaporator (EM-1-2)	1		
NS 0374655 Bracket, A/C Mount	2		
NS 0970119 Panel, Vinyl Clad to Lauan 4 x 8 Sht .3			
NS 3973250 Harness, Evaporator Orange Gen 5	AR		
NS 3972422 Fuse, Mega 100 AMP	1		
NS 3973742 Holder, Fuse Bussman	1		



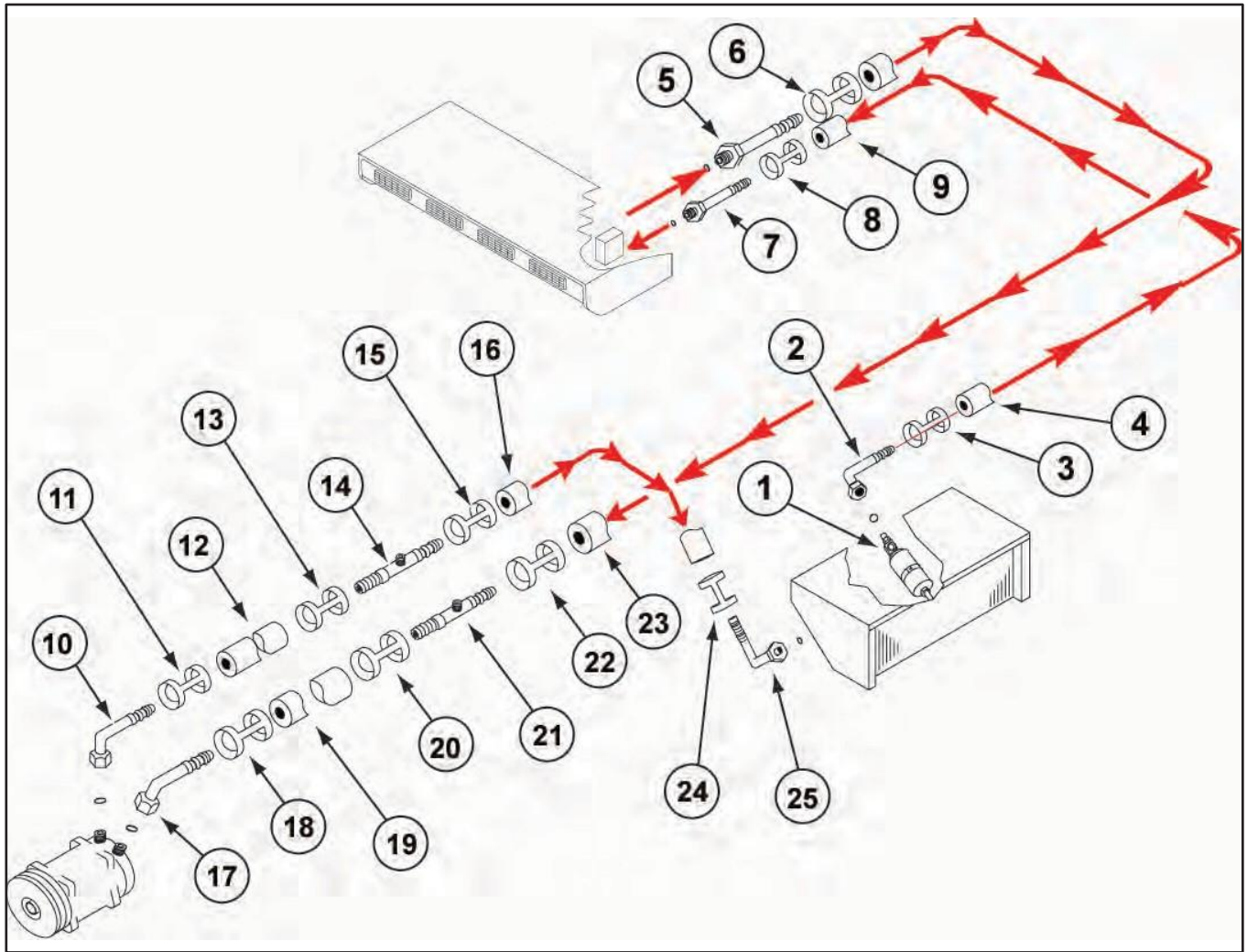
**a/c condense r - kr-3 roof top
cH000fU47008/ cH000fs47008 / 0407454**

<i>ITEM PART NO. DESCRIPTION</i>	<i>QTY</i>	<i>ITEM PART NO. DESCRIPTION</i>	<i>QTY</i>
01 1771248 Condenser Roof Top KR-3	1		
NS 3970290 Terminal, Heat Shrink Ring 16-14 #10	2		
NS 3971612 Terminal, Heat Shrink Ring 12-10 ¼	1		
NS 3973249 Harness, Condensor Red Gen 5	18		



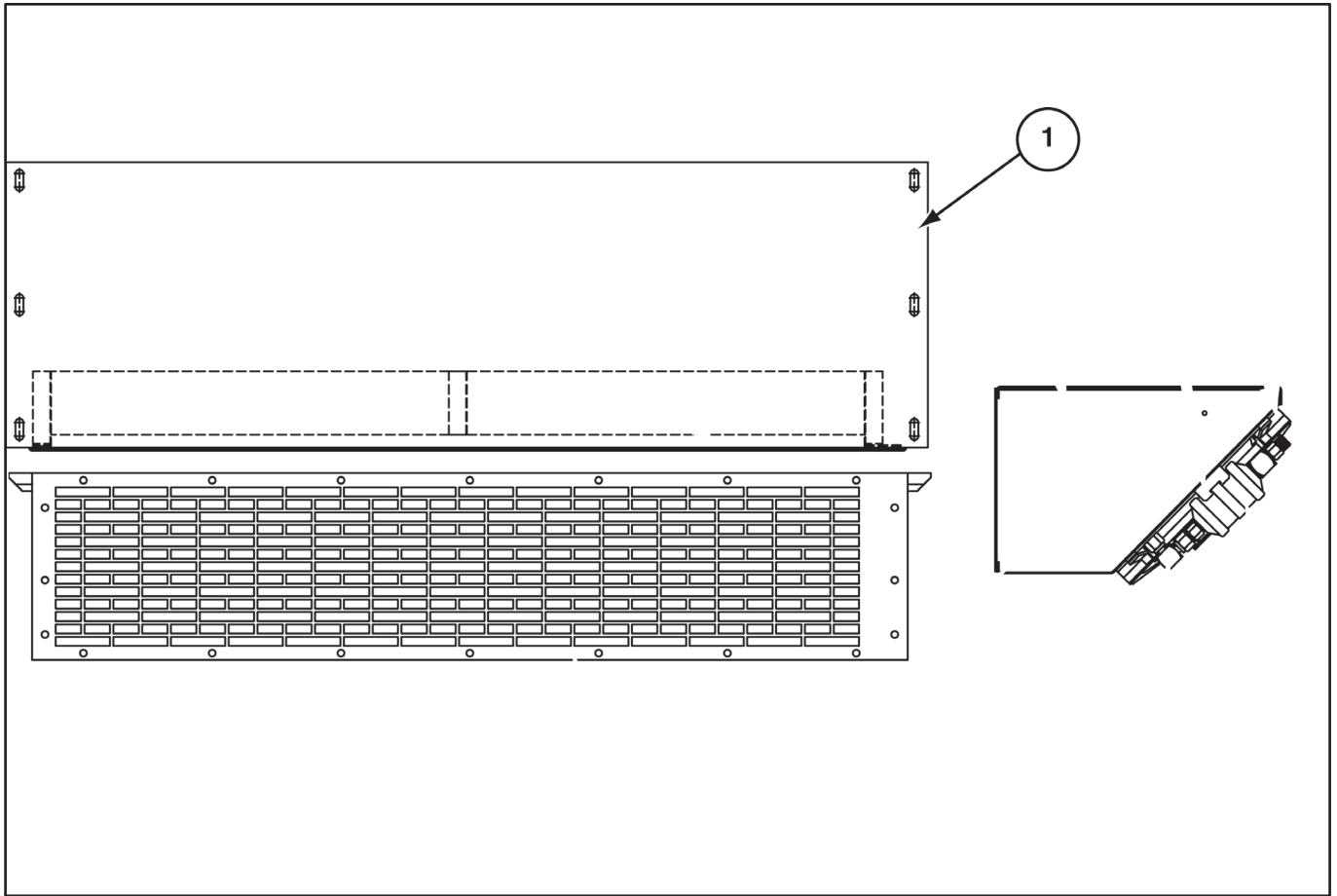
a/c compressor
cH000FU47008/ cH000Fs47008 / 0412674

<i>ITEM PART NO. DESCRIPTION</i>	<i>QTY</i>	<i>ITEM PART NO. DESCRIPTION</i>	<i>QTY</i>
01 1770802 COMPRESSOR,76-62015-04 98-1/2 FORD	1		
N/S 1771500 MOUNT,COMPRESSOR FRD 6.0 DSL 2 ALT	1		
N/S 1771461 TUBE,INSULATION CARRIER	A/R		



A/C HOSES & FITTINGS - Q-CLICK CH000FU47008/ CH000FS47008 / 0404764

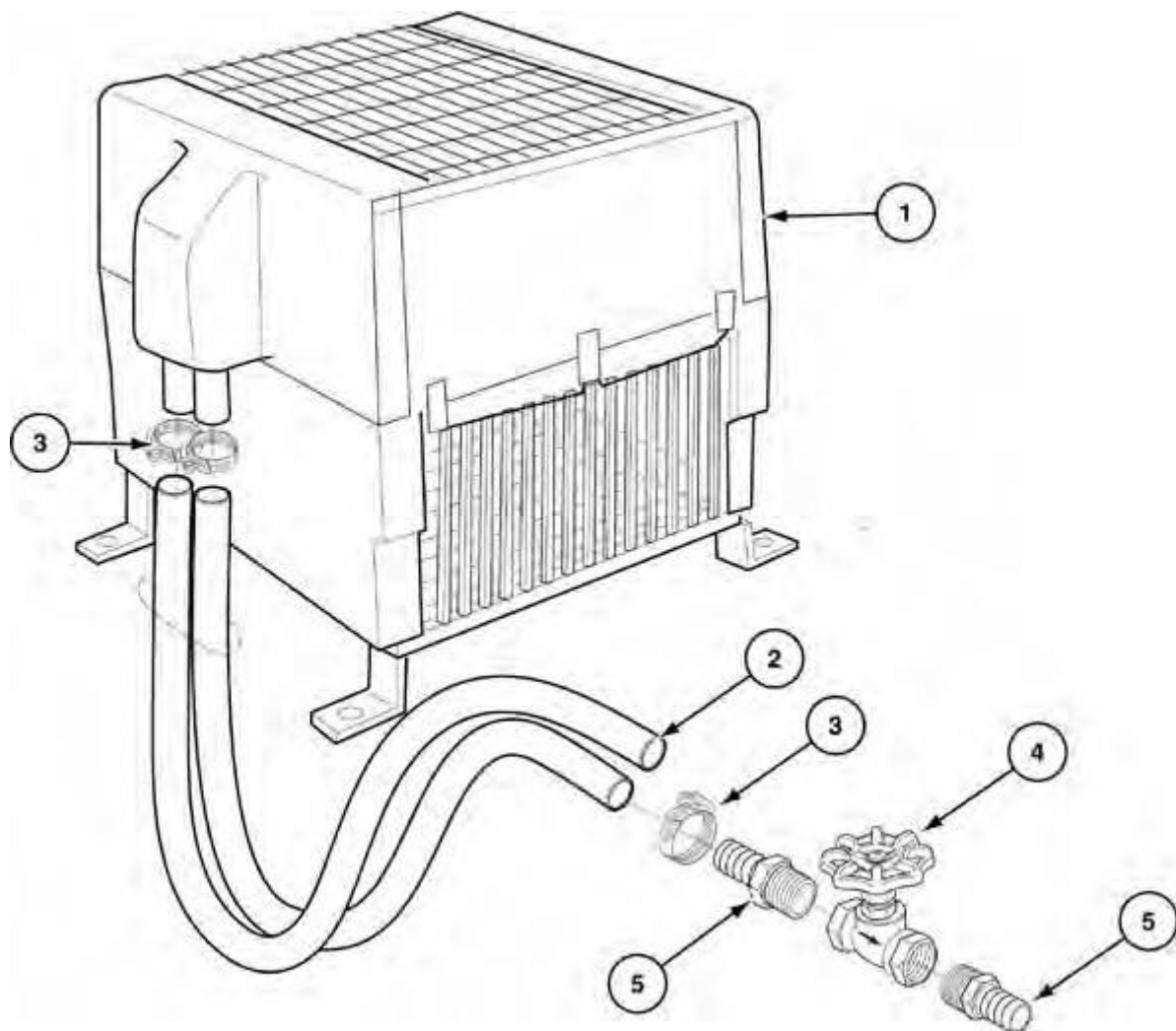
ITEM PART NO. DESCRIPTION	QTY	ITEM PART NO. DESCRIPTION	QTY
1 1013723 Filter, Drier	1		
2 2970938 Fitting, 90 Deg Female O-Ring	1		
3 2970850 Fitting, #8 QuickClick Clamp	1		
4 1770841 Hose, #8 QuickClick	AR		
17			
14 2971096 Fitting, 10-FO x 12 HS 90	1		
18 2970851 Clamp, #10 QuickClick	AR		
19 1770842 Hose, #10 QuickClick	AR		
20 2970851 Clamp, #10 QuickClick	AR		
21 2971095 Fitting, 8-FO x 10 HS 90	1		
22 2970851 Clamp, #10 QuickClick	AR		
23 1770842 Hose, #10 QuickClick	AR		
24 2970851 Clamp, #10 QuickClick	AR		



A/C CONDENSER, CS-3 ACT

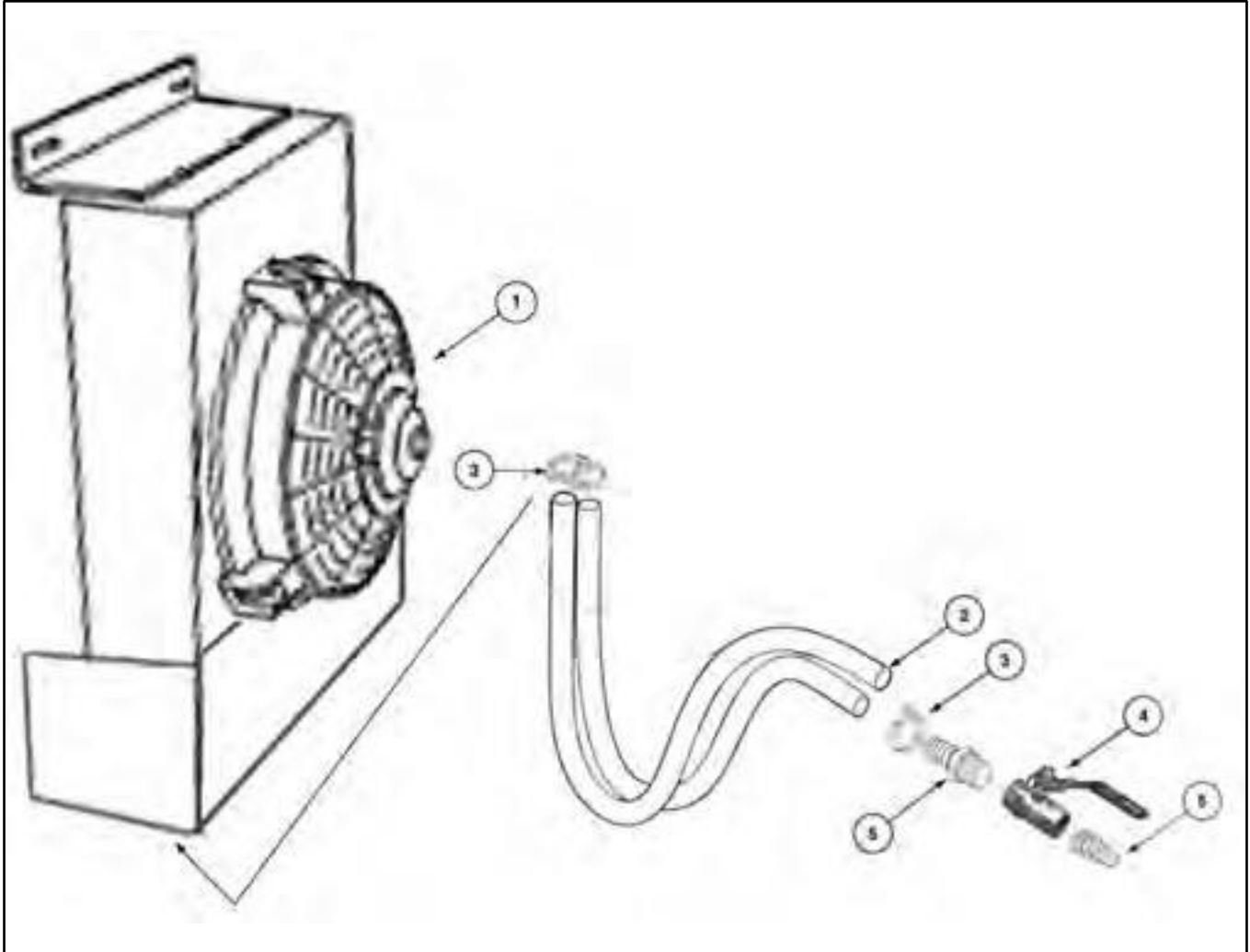
0411278 / 0416421 / 0413512

ITEM PART NO. DESCRIPTION	QTY	ITEM PART NO. DESCRIPTION	QTY
0411278 A/C CONDENSER CS-3 ACT		0413512 WINTER GUARD KIT	
01 1770966 Condenser, CS-3 ACT	1	NS 1771117 Guard, Winter Kit CS-3 ACT	1
NS 0372771 Support, Side Pan 18.5"	2		
NS 3973249 Harness, Condenser Red GEN-5	18		
NS 3970290 Terminal, Heat Shrink Ring 16-14 #10	2		
NS 3971612 Terminal, Heat Shrink Ring 12-10 1/4	1		



**install 45k btu heater
0408843-P-DOT (reV-a) & 0405320**

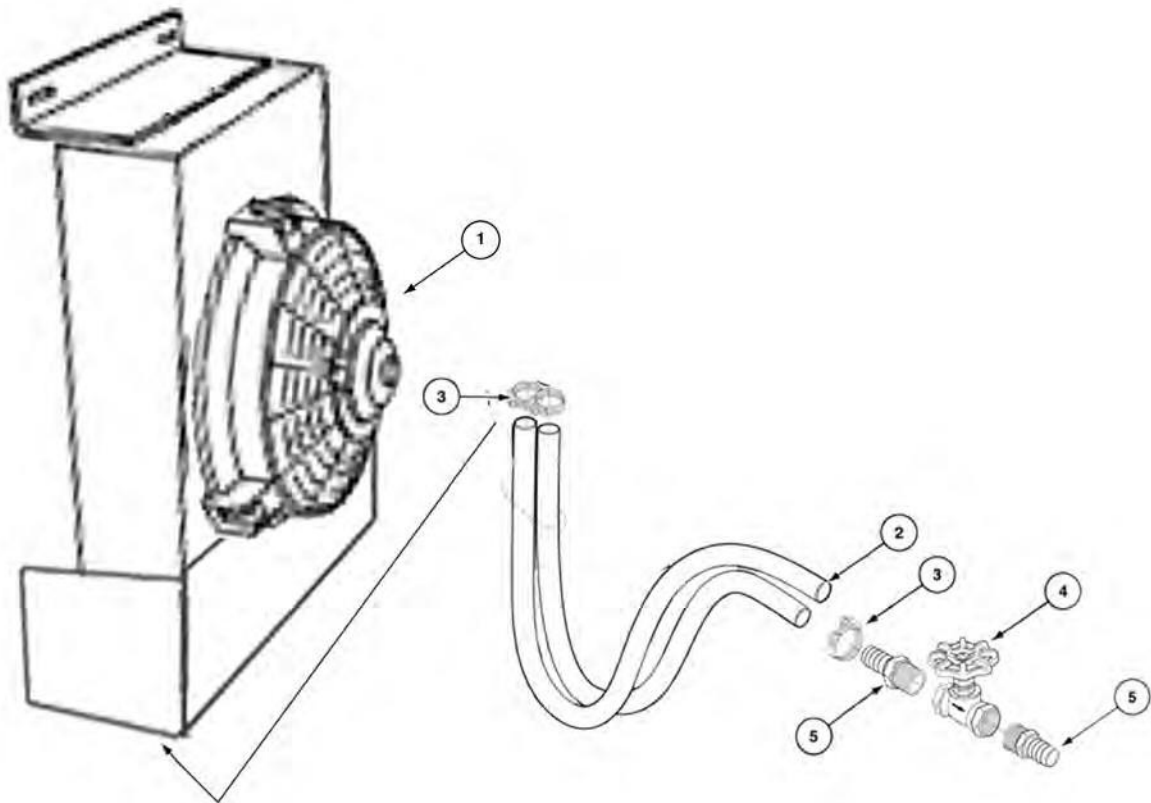
ITEM	PART NO.	DESCRIPTION	QTY	ITEM	PART NO.	DESCRIPTION	QTY
0408843-PDOT INSTALL HEATER 45,000 BTU				0405320-PDOT INSTALL 1/2" BALL VALVE FOR 5/8 HTR HOSE			
01	1770760	HEATER (45,000 BTU PROAIR)	1	4	2970407	VALVE, THREADED BALL TYPE (1/2")	2
02	2970457	HOSE, HEATER (5/8 HI TEMP)	A/R	5	3973889	ACTUATOR, REAR HEATER	1
03	4970430	CLAMP, HOSE (1/2 x 1-1/8) #10	4	0402967 INSTALL, SWITCH REAR HEATER			
n/s	2970729	FITTING, BARB 5/8 X 1/2 MPT	1	N/S	3973976	SWITCH, CARLING ON/OFF/ON	1
N/S	2970786	FITTING, NIPPLE 1/2" BLACK PIPE	1	N/S	3947066	CONNECTOR, RT 10-4848	1
N/S	2970446	FITTING, 'Y' UNIVERSAL HEATER HOSE	1	N/S	3970183	RECEPTICAL, FAST-ON #187	5
N/S	3972646	BREAKER, 10 AMP (MANUAL RESET)	1				
N/S	3944303	TERMINAL, F/INSU FM/QUICK DISC 12-10	2				
N/S	3974667	HARNES, HEATER EXTENSION GXL	1				
0403313 INSTALL, HOSE SHIELD REAR HEATER							
N/S	3371964	COVER, HEATER FLOOR ABS					



heater 65k btu - wall mount 0407650-pdot / 0405320-pdot

ITEM PART NO. DESCRIPTION	QTY	ITEM PART NO. DESCRIPTION	QTY
0407650-PDOT WALL MOUNT HEATER 65K BTU		0402967 Install, Switch Rear Heater	
1 1770865 Heater, 65,000 BTU Wall Mount	1	NS 3973976 Switch, Carling On/Off/On**	1
2 2970457 Hose, Heater 5/8 ID Hi-Temp	AR	NS 3947066 Connector, RT	1
03 4970430 Clamp, Hose 1/2 - 1-1/18 #10	10	NS 3970183 Receptical, Fast-On #187	5
NS 3974667 Harness, Heater Extension GXL	1		
0405320-PDOT Install, 1/2" Ball Valve For 5/8 Htr Hose		0403313 Install, Hose Shield Rear Heater	
4 2970407 Valve, Threaded Ball Type 1/2" B600	2	NS 3371964 Cover, Heater Floor ABS	1
5 2943314 Fitting, Adapter 1/2MPT x 5/8 Barb	2		
NS 3973889 Actuator, Rear Heater	1		

****For pictures of the heater switch mentioned above, go to the "ELECTRICAL" section of this manual and refer to the "DASH SWITCHES" page.**



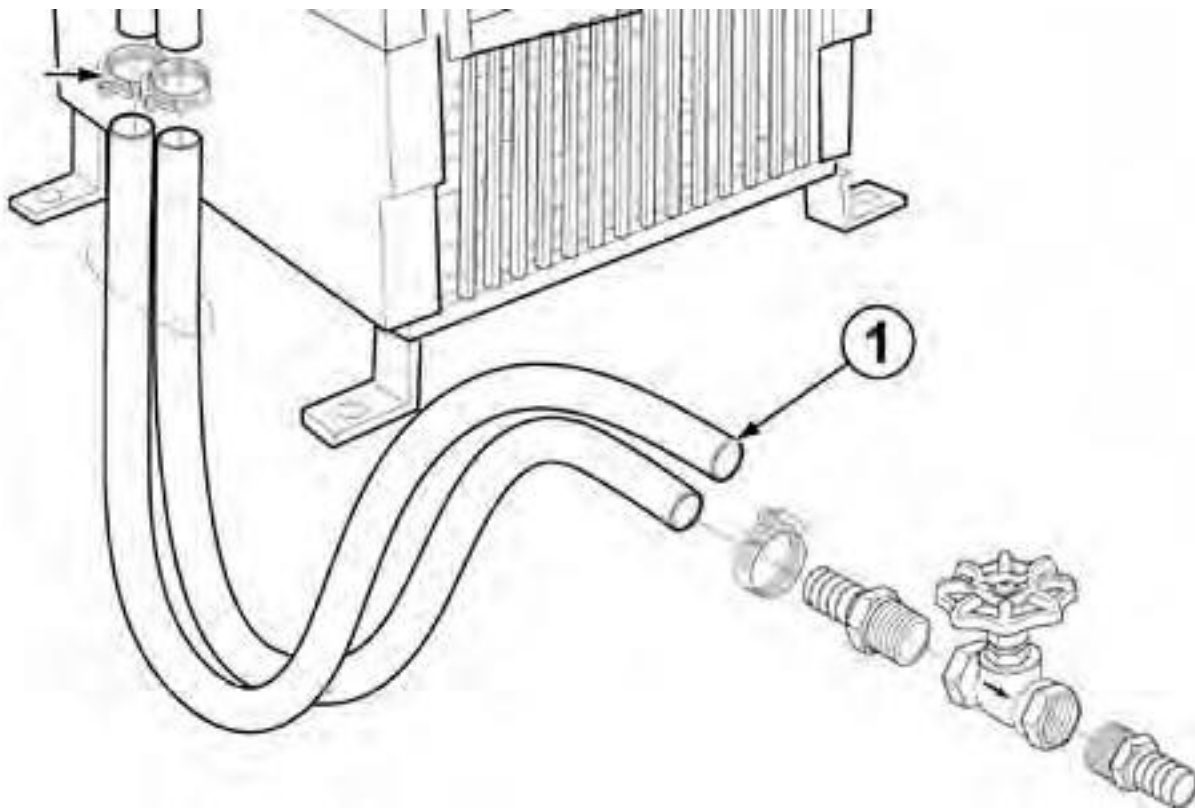
HEATER 65K WALL mOUNT 0407650

<u>ITEM PART NO.</u>	<u>DESCRIPTION</u>	<u>QTY</u>	<u>ITEM PART NO.</u>	<u>DESCRIPTION</u>	<u>QTY</u>
1	1770865 Heater, 65,000 BTU Wall Mount	1			
2	2970457 Hose, Heater 5/8 ID Hi-Temp	A/R			
03	4970430 Clamp, Hose 1/2 - 1-1/8 #10	10			
4	2970407 Valve, Threaded Ball Type 1/2" B600	1			
5	2943314 Fitting, Adapter 1/2MPT X 5/8 BARB	2			

PiCtu Re NOt aVaila Ble at this ti Me

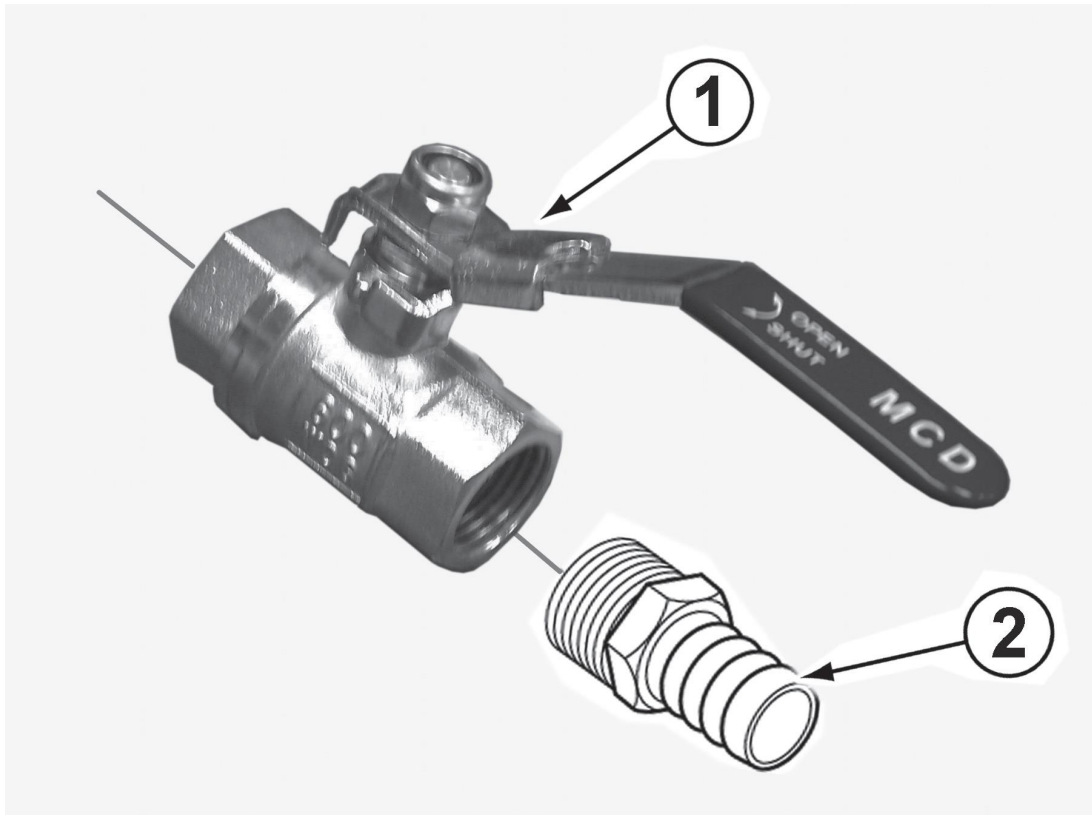
hea t shield e-450
CX000fu1003 9 / CX000FP10039

<i>ITEM PART NO. DESCRIPTION</i>	<i>QTY</i>	<i>ITEM PART NO. DESCRIPTION</i>	<i>QTY</i>
01 0377651 SHIELD, HEAT FORD FUEL TANK E450	1		



silicone heater hose 5/8"
0407492

<i>ITEM</i>	<i>PART NO.</i>	<i>DESCRIPTION</i>	<i>QTY</i>	<i>ITEM</i>	<i>PART NO.</i>	<i>DESCRIPTION</i>	<i>QTY</i>
01	2970452	HOSE, HEATER (5/8 I.D. SILCONE)	A/R				



1/2" Ball Valve for 5/8 htr hose
CX0000040163

<i>ITEM PART NO. DESCRIPTION</i>	<i>QTY</i>	<i>ITEM PART NO. DESCRIPTION</i>	<i>QTY</i>
1 2970407 Valve, Threaded Ball 1/2"	1		
2 2943314 Fitting, Adapter 1/2 MPT x 5/8 Brass	2		

**PICTURE NOT AVAILABLE
AT THIS TIME**

**PiPe WraP heater hose
46009**

<u>ITEM PART NO. DESCRIPTION</u>	<u>QTY</u>	<u>ITEM PART NO. DESCRIPTION</u>	<u>QTY</u>
CX2900046009, CX3100046009, CX2500046009 Heater Hose Pipe Wrap		CX2100046009, CX2300046009, CX3300046009, CX3500046009, CX3700046009, CX3800046009	
N/S 0770049 Insulation, Pipe 3/8x7/8x6'	AR	N/S 0770069 Insulation, Pipe Hose .875 x 6' W/AD	AR
N/S 0770069 Insulation, Pipe Hose .875 x 6' W/AD	AR		
CX2500046009 Heater Hose Pipe Wrap			
N/S 0770070 Insulation, Pipe Hose 1.25 x 6' W/A	AR		



**CHAMPION
BUS, INC.**

Wholly owned subsidiary of Thor Industries, Inc.

SECTION 9:

SEATS



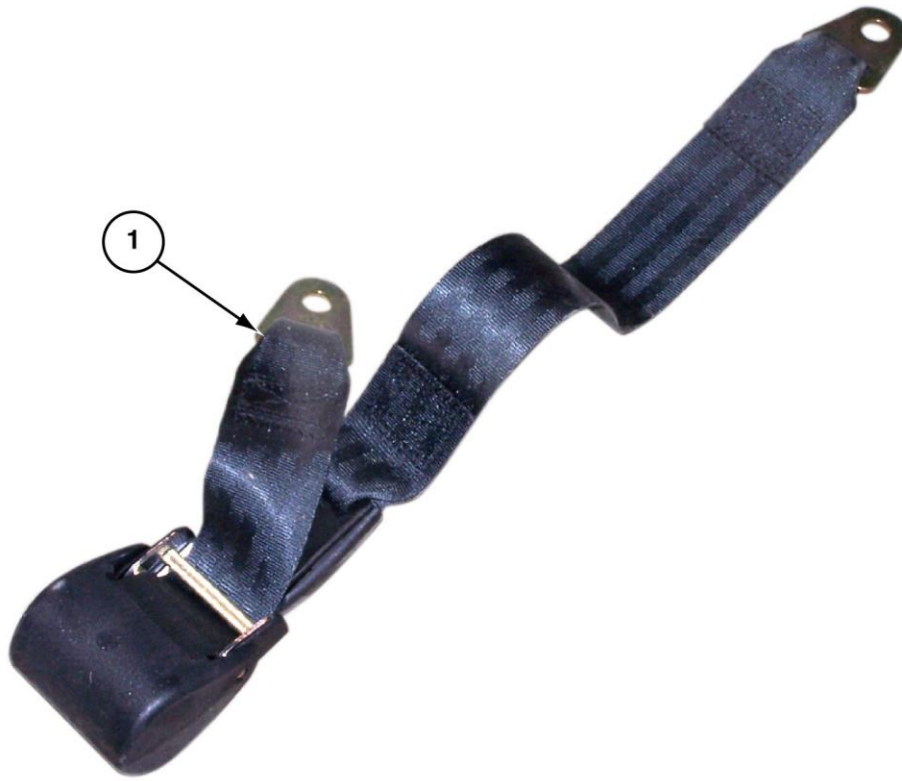
seat fabric

<u>ITEM PART NO.</u>	<u>DESCRIPTION</u>	<u>QTY</u>	<u>ITEM PART NO.</u>	<u>DESCRIPTION</u>	<u>QTY</u>
01	SEE ENCLOSED "ORDER VERIFICATION" FOR SEAT STYLE AND FABRIC				



**INSTALL 2-POINT RETRACTABLE SEAT BELT
CX-000-900-4015**

<i>ITEM</i>	<i>PARTNO.</i>	<i>DESCRIPTION</i>	<i>QTY</i>	<i>ITEM</i>	<i>PARTNO.</i>	<i>DESCRIPTION</i>	<i>QTY</i>
01	7371944	SEATBELT,2-POINT RETRACTABLELAP	1				



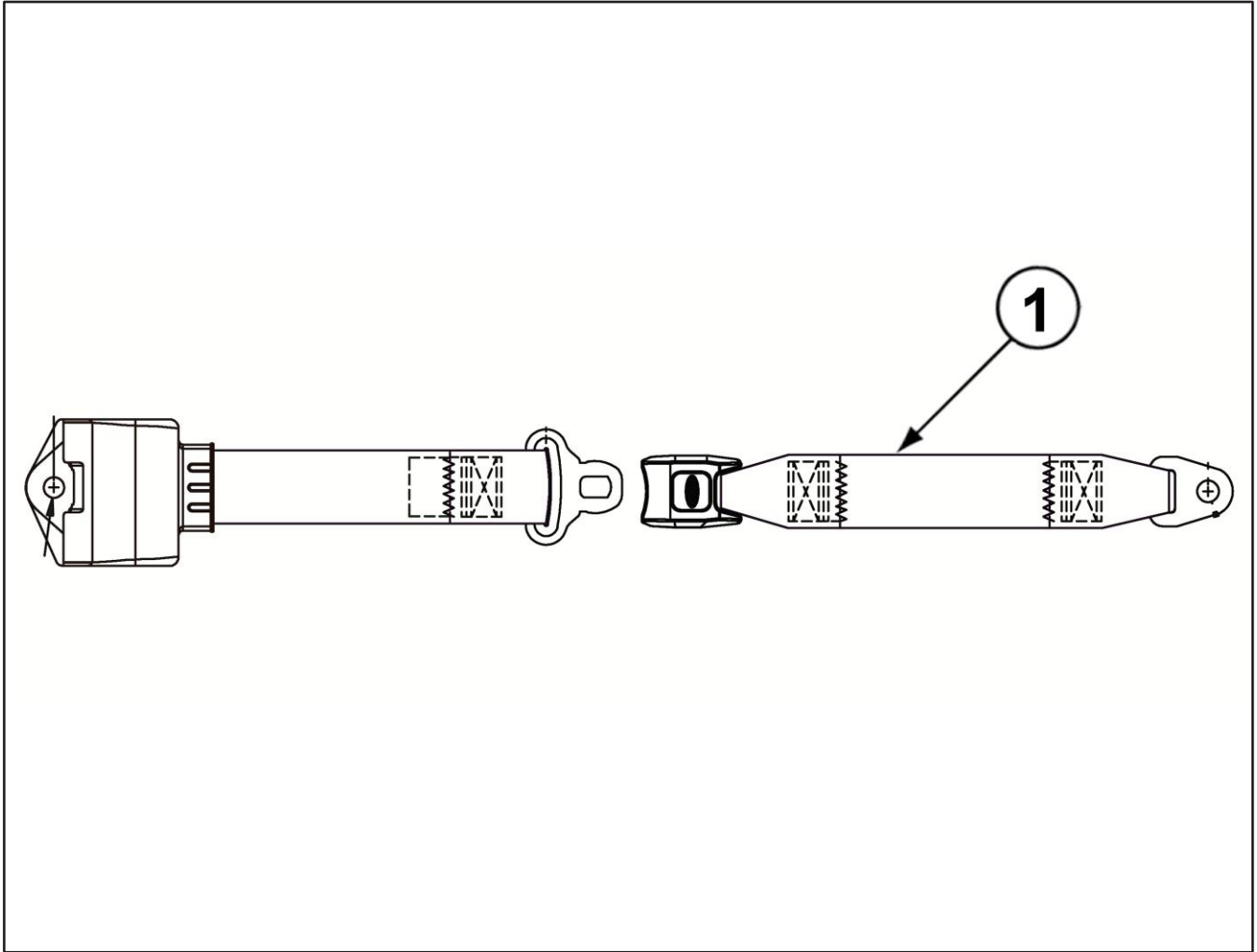
STANDARD SeAT belt
CX-000-900-4013

<i>ITEM</i>	<i>PART NO.</i>	<i>DESCRIPTION</i>	<i>QTY</i>	<i>ITEM</i>	<i>PART NO.</i>	<i>DESCRIPTION</i>	<i>QTY</i>
01	7371902	BELT, SEAT [BLACK 60"]	6				



seat belt, retractable - 2 pt foldaway
cx-000-900-4015f

ITEM	PART NO.	DESCRIPTION	QTY	ITEM	PART NO.	DESCRIPTION	QTY
01	7371546	Belt, Seat 2 PT Retract	1				
N/S	0377616	Bracket, Seat Belt Center	A/R				
N/S	8571273	Nut, Spring Unistruct P-1009	A/R				



Seat Belt BlaCK - 90"
7371897

<i>ITEM PART NO. DESCRIPTION</i>	<i>QTY</i>	<i>ITEM PART NO. DESCRIPTION</i>	<i>QTY</i>
01 7371897 Seat Belt - Black 90"	21		



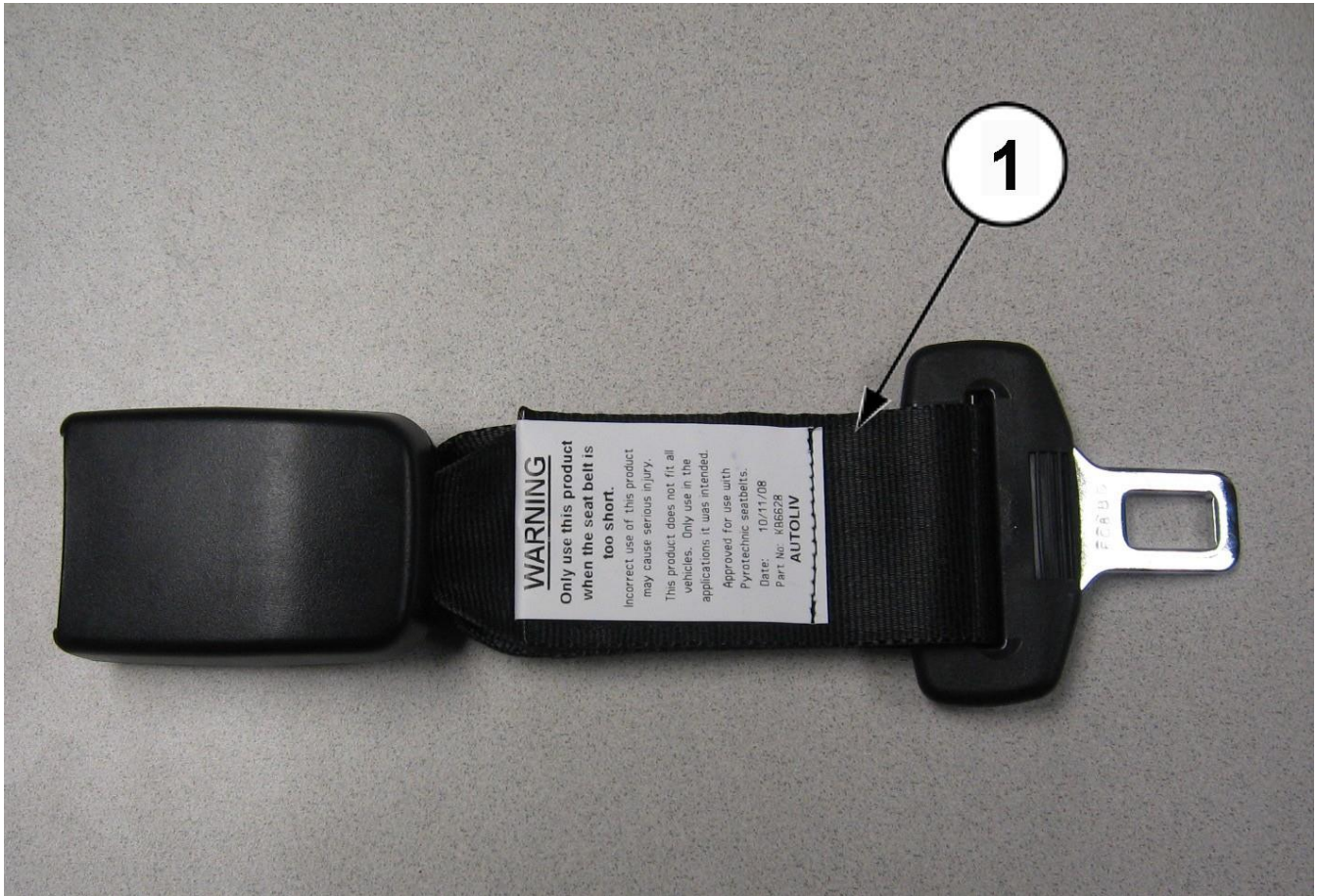
SEAT BELT RETRACTOR (PER PASSENGER)
CX-000-900-4014

<i>ITEM</i>	<i>PARTNO.</i>	<i>DESCRIPTION</i>	<i>QTY</i>	<i>ITEM</i>	<i>PARTNO.</i>	<i>DESCRIPTION</i>	<i>QTY</i>
01	7371591	KIT, Q-STRAINTIEDDOWN(Q-8105A1-L)	1				
NS	4570061	TRACK, ALUMINUM TIEDOWN w/o FLANGE	A/R				
NS	7371347	POUCH, Q-STRAINTIEDDOWN (BLAACK/VINYL)	1				
NS	7371405	CUTTER, TIEDOWNBELT	1				



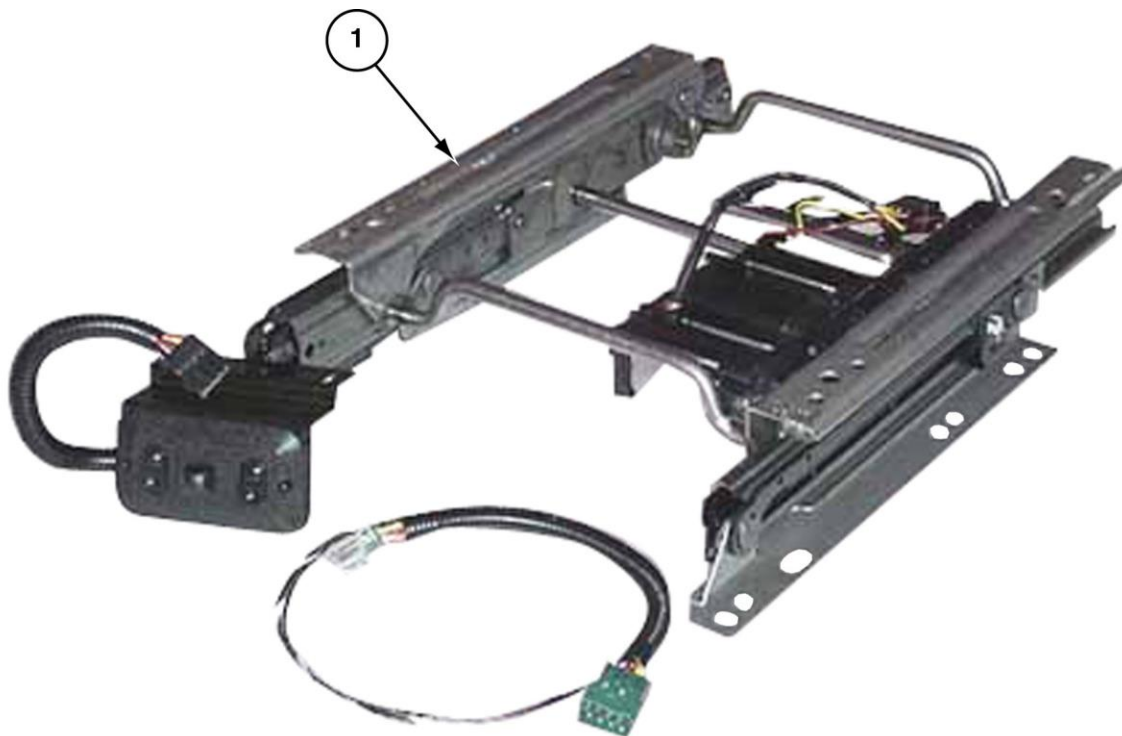
24" SEAT BELT EXTENSION
CX-000-900-0044

<i>ITEM</i>	<i>PARTNO.</i>	<i>DESCRIPTION</i>	<i>QTY</i>	<i>ITEM</i>	<i>PARTNO.</i>	<i>DESCRIPTION</i>	<i>QTY</i>
01	7371082	EXTENSION, 24" SEATBELT	1				



seat belt extension, 8-inch 3pt 7371636

<i>ITEM PART NO. DESCRIPTION</i>	<i>QTY</i>	<i>ITEM PART NO. DESCRIPTION</i>	<i>QTY</i>
01 7371636 Belt, Lap Extension 8" Freedman 3PT	3		



power driver's seat base
0409539

<i>ITEM PART NO. DESCRIPTION</i>	<i>QTY</i>	<i>ITEM PART NO. DESCRIPTION</i>	<i>QTY</i>
01 7371462 BASE, POWER DRIVER'S SEAT (FORD)	1		



**CHAMPION
BUS, INC.**

Wholly owned subsidiary of Thor Industries, Inc.

SECTION 10:

SAFETY & DECALS



**PRIORITY SEATING FOR PERSONS WITH
DISABILITIES. OTHER PASSENGERS
SHOULD MAKE THESE SEATS AVAILABLE
TO THOSE WHO WISH TO USE THEM**

**PRIORITY SEATING SIGN (ADA)
CX-000-900-3132**

<i>ITEM PART NO. DESCRIPTION</i>	<i>QTY</i>	<i>ITEM PART NO. DESCRIPTION</i>	<i>QTY</i>
01 8970154 DECAL, "PRIORITY SEATING"	1		

**FORWARD FACING
WHEELCHAIR SECUREMENT LOCATION**



**WHEELCHAIR LOCATION SIGN
CX-000-900-3173**

<i>ITEM PARTNO. DESCRIPTION</i>	<i>QTY</i>	<i>ITEM PARTNO. DESCRIPTION</i>	<i>QTY</i>
01 8970800 LABEL, FWD FACING WHEELCHAIR	1		



CHAMPION DECALS

0408312, Cx 0000080068

ITEMPART NO.	DESCRIPTION	ITEMPART NO.	DESCRIPTION
01 8940561	DECAL, PARATRANSIT	1 09 8970906	DECAL, THOR
02 8971006	LABEL, COVER MUST BE IN PLACE AT ALL TIMES	1 10 8980807	EMBLEM, BY CHAMPION
03	NOT USED	8971067	DECAL, THOR GREEN LEAF W/LIGHTNING BOLT
04 8970154	DECAL, "PRIORITY SEATING"	1 11 8970487	LABEL, "STANDING FORWARD OF YELLOW LINE..
05 8944035	DECAL, "EMERGENCY EXIT"	1 12 8970800	LABEL, "FWD FACING WHEELCHAIR SECUREMENT..
06 8971012	DECAL, COOLING SYSTEM WAS CHECKED BY		
07 970971	LABEL, CONFORMITY TITLE 49 (CHAMPION)		
08 8943433	DECAL, "NO SMOKING" (10 X 2-1/2)		
		CX0000080068	WATCH YOUR STEP SIGN
		NS 8970287	LABEL, "WATCH YOUR STEP"
		NS 8970287	LABEL, "WATCH YOUR HEAD"

No smoking

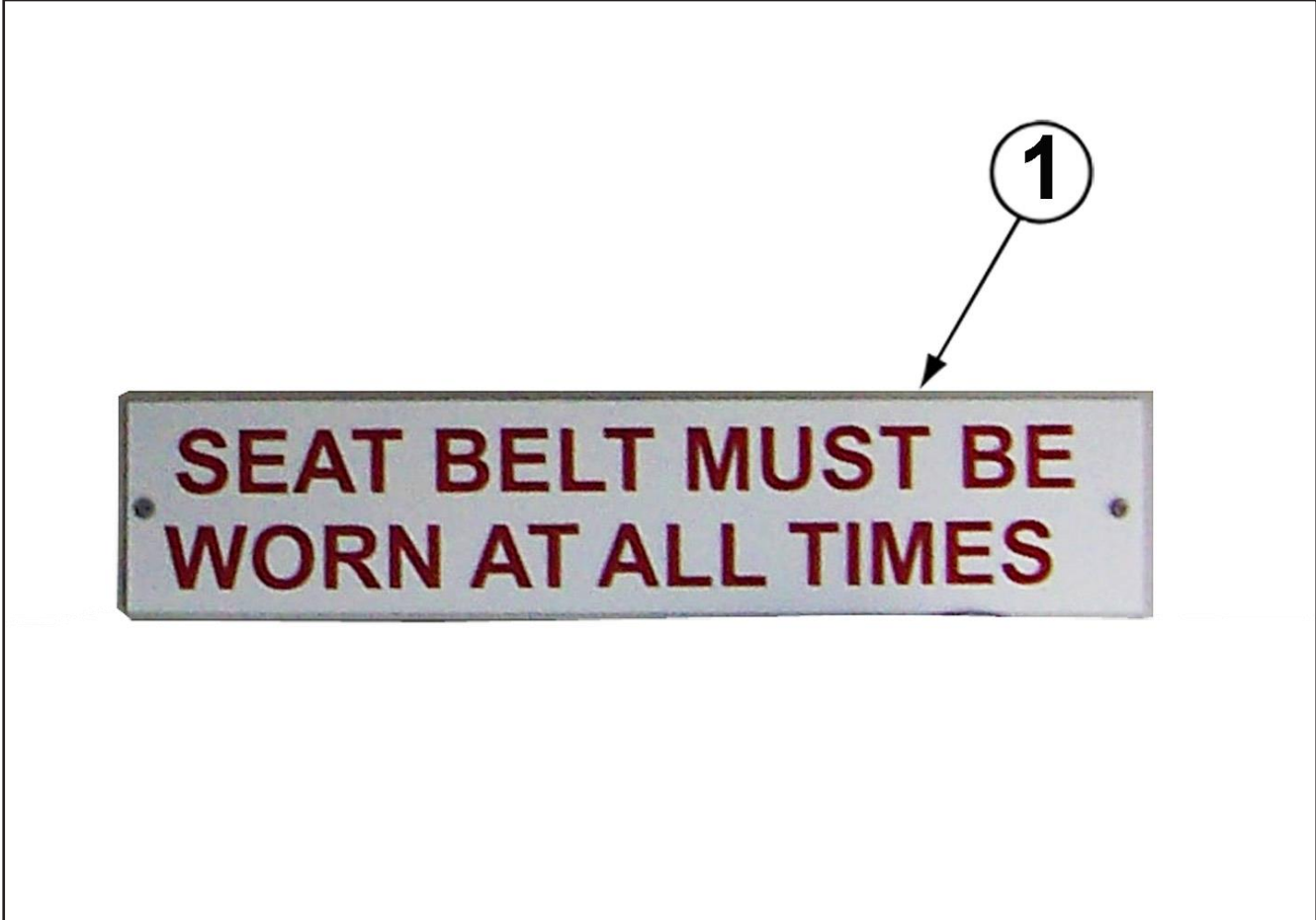
**NO SMOKING DECAL
CX-000-900-0022 / CX0000080022**

<i>ITEM</i>	<i>PARTNO.</i>	<i>DESCRIPTION</i>	<i>QTY</i>	<i>ITEM</i>	<i>PARTNO.</i>	<i>DESCRIPTION</i>	<i>QTY</i>
01	8943433	DECAL,NOSMCKINGLABEL (10" X 2½")	1				



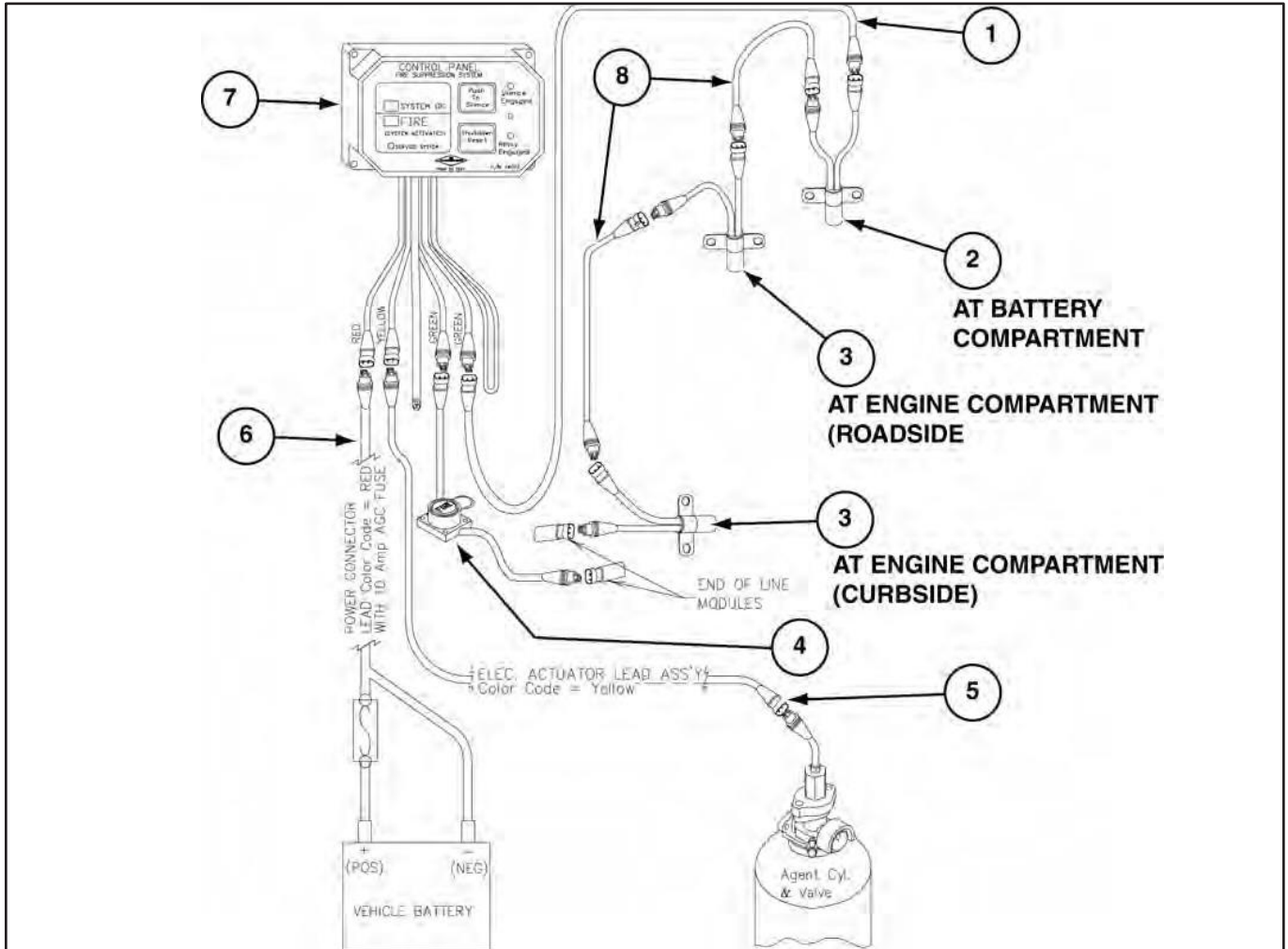
**"NO SMOKING" ENGLISH/SPANISH
CX0000080022**

<i>ITEM PART NO. DESCRIPTION</i>	<i>QTY</i>	<i>ITEM PART NO. DESCRIPTION</i>	<i>QTY</i>
01 8943433 SIGN, NO SMOKING (10" x 2-1/2")	1		



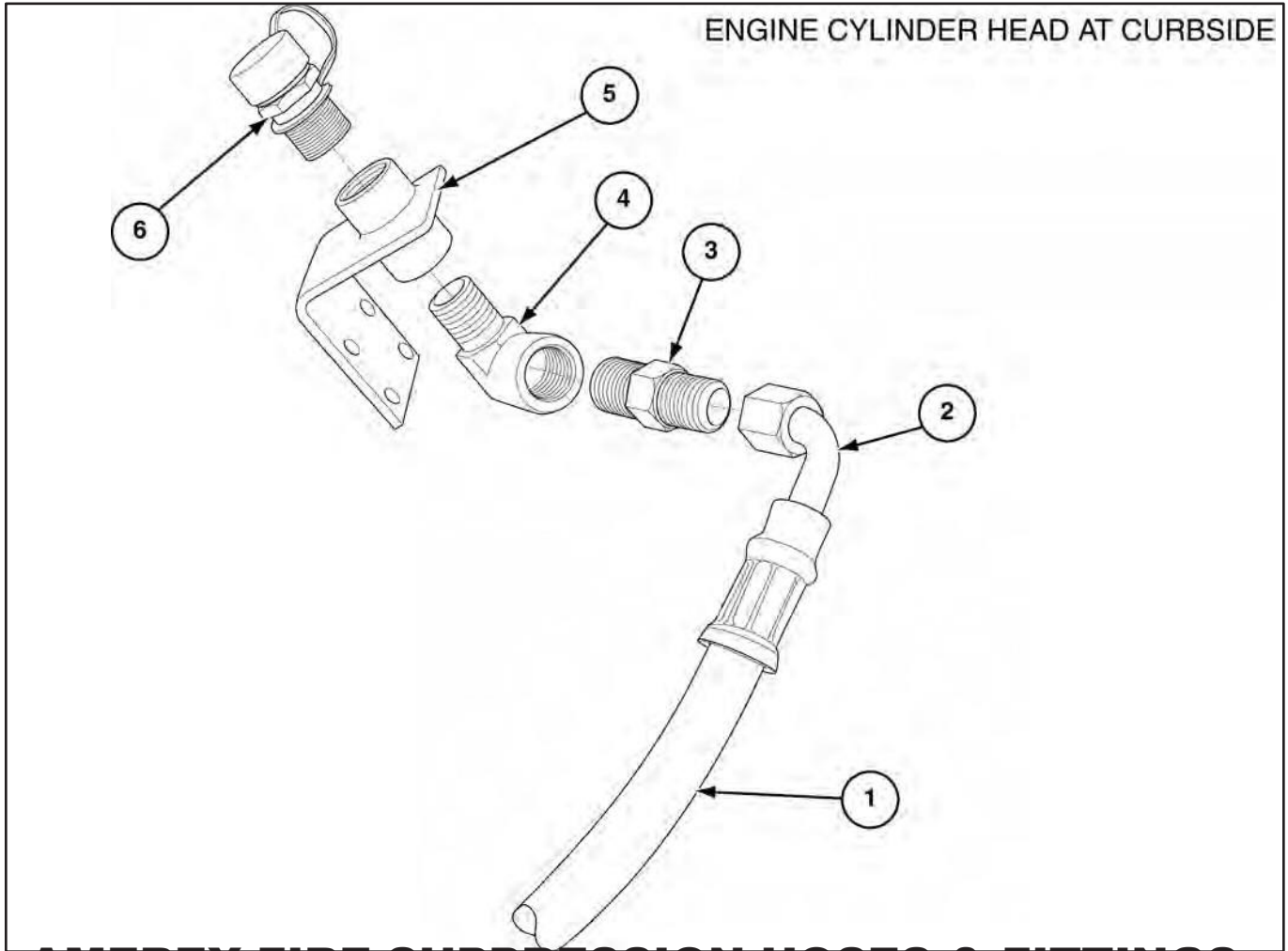
sign - "seat belt must be....."
CX0000080156

<i>ITEM PART NO.</i>	<i>DESCRIPTION</i>	<i>QTY</i>	<i>ITEM PART NO.</i>	<i>DESCRIPTION</i>	<i>QTY</i>
01	8970607 VINYL, 15" x 150' BLACK	AR			



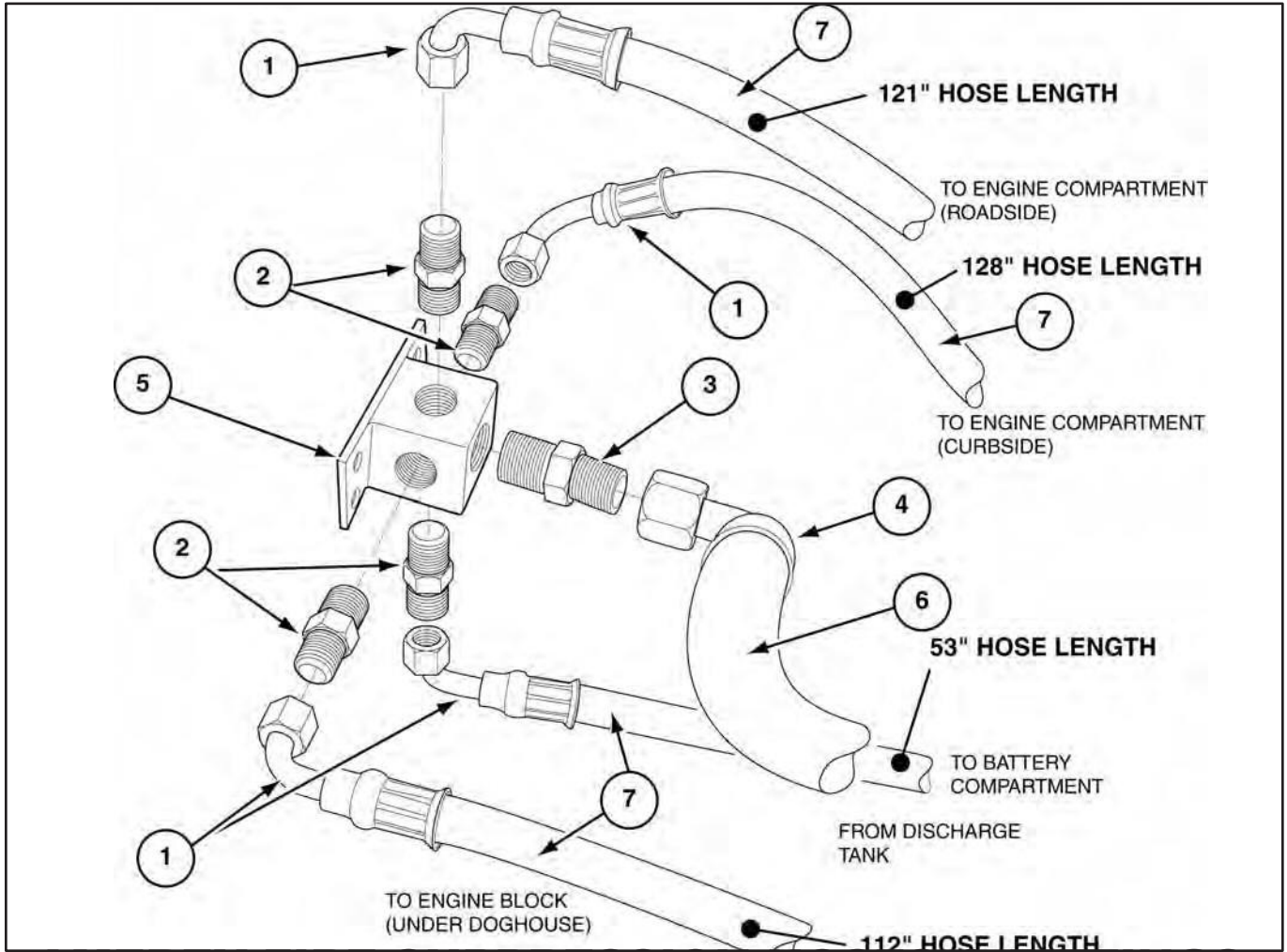
AMEREX FIRE SUPPRESSION WIRING DIAGRAM 0415686

<u>ITEM</u>	<u>PART NO.</u>	<u>DESCRIPTION</u>	<u>QTY</u>	<u>ITEM</u>	<u>PART NO.</u>	<u>DESCRIPTION</u>	<u>QTY</u>
1	6170427V	Lead, Thermostat (15')	1				
2	6170192V	Detector, Miniature 280°	1				
3	6170193V	Detector, Miniature 350°	2				
4	6170198V	Actuator, Manual Switch	1				
5	3973496V	Lead, Electric Actuator (20')	1				
06	6170426V	Lead, Power (15')	1				
7	3970194V	Panel Control	1				
8	6170194V	Lead, Modular Hazard (6')	2				



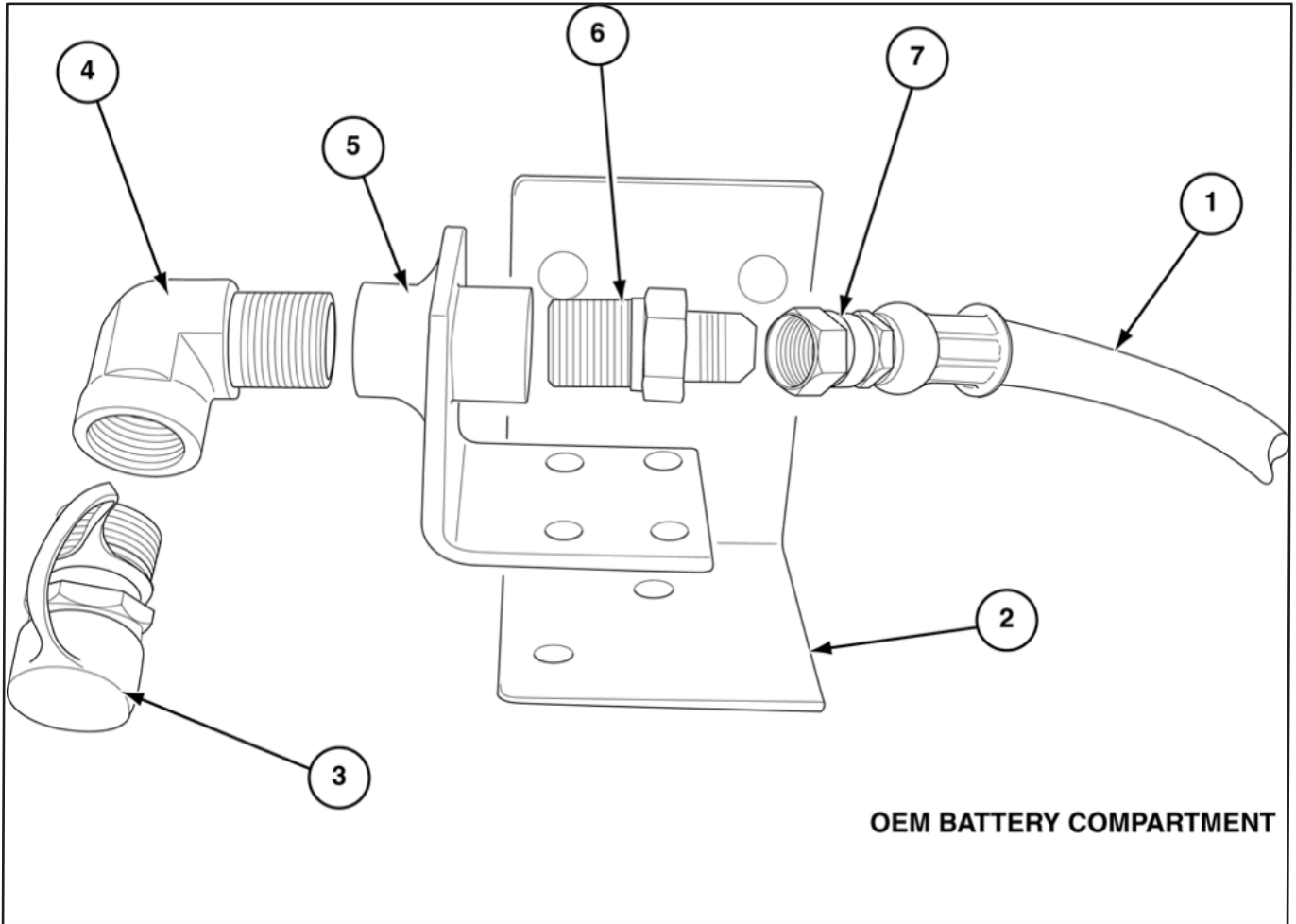
**AMEREX FIRE SUPPRESSION HOSES & FITTINGS
AT CURBSIDE ENGINE CYLINDER HEAD
0415686**

<i>ITEM PART NO. DESCRIPTION</i>	<i>QTY</i>	<i>ITEM PART NO. DESCRIPTION</i>	<i>QTY</i>
1 2970949 Discharge Hose, 1/2"	A/R		
2 2970959 Fitting, Elbow 90° Swivel	1		
3 2970895 Fitting, Connector (1/2" MP x 1/2" FP)	1		
4 2971061 Fitting, Elbow Street 90°	1		
5 6170189V Bracket, Nozzle Cone	1		
6 6170188V Cone, Nozzle	1		
NS 0377874 Bracket, Nozzle Cone Bracket	1		



**AMEREX FIRE SUPPRESSION HOSES & FITTINGS
AT DISTRIBUTION BLOCK
0415686**

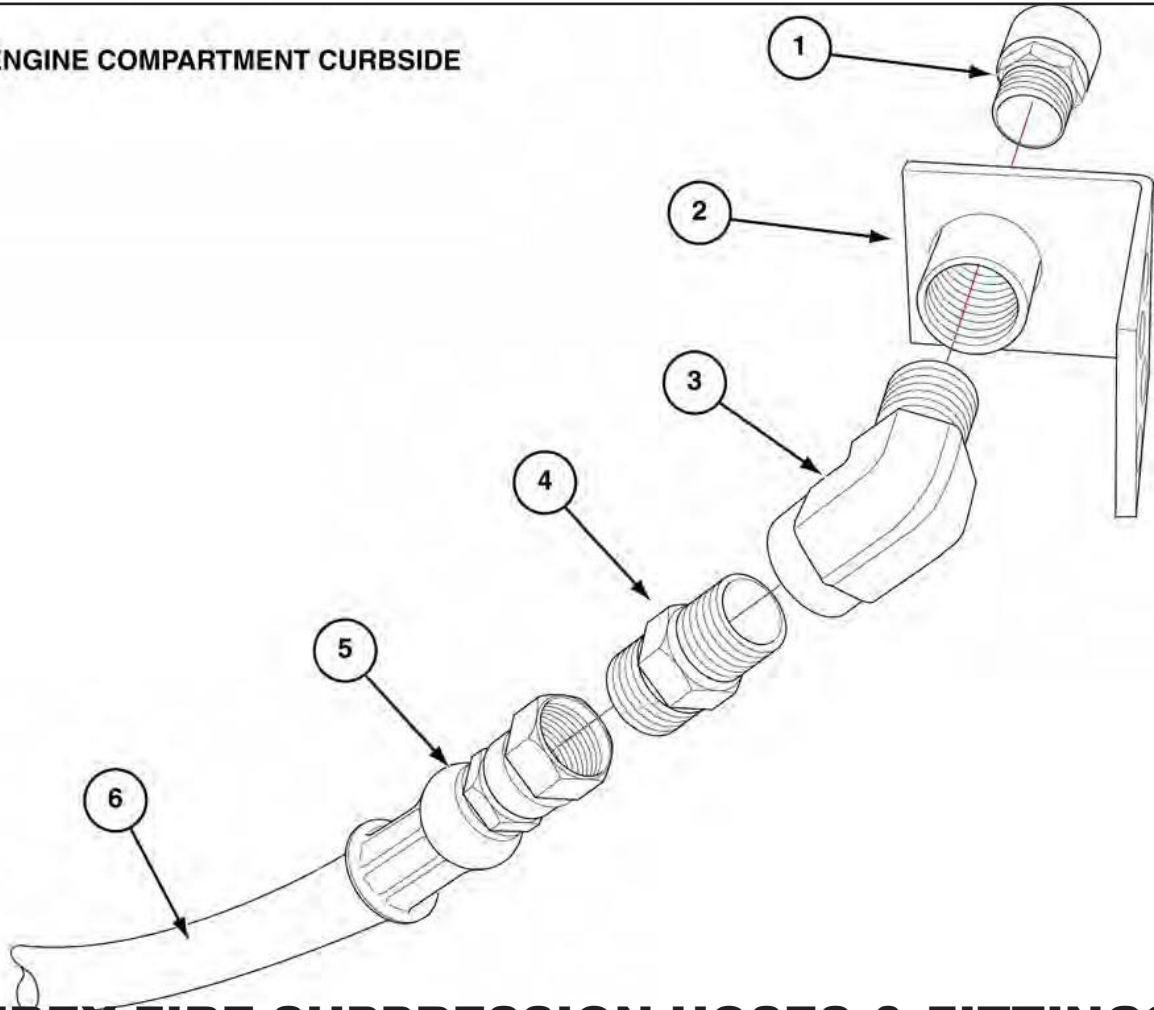
<i>ITEM PART NO. DESCRIPTION</i>	<i>QTY</i>	<i>ITEM PART NO. DESCRIPTION</i>	<i>QTY</i>
1 2970959 Fitting, Elbow 90° Swivel	4		
2 2970895 Fitting, Connector	4		
3 2970898 Fitting, Connector	1		
4 2970957 Fitting, Elbow Swivel 90°	1		
5 6170143V Distributor, Block	1		
6 2970950 Discharge Hose (3/4")	A/R		
7 2970949 Discharge Hose (1/2")	A/R		



**AMEREX FIRE SUPPRESSION HOSES & FITTINGS
AT OEM BATTERY COMPARTMENT
0415686**

<u>ITEM</u>	<u>PART NO.</u>	<u>DESCRIPTION</u>	<u>QTY</u>	<u>ITEM</u>	<u>PART NO.</u>	<u>DESCRIPTION</u>	<u>QTY</u>
1	2970949	Discharge Hose, 1/2"	A/R				
2	0344542	Bracket, Amerex Nozzle Mounting	1				
3	6170188V	Cone, Nozzle	1				
4	2971061	Fitting, Steel Elbow 90° (1/2MP x 1/2"FP)	1				
5	6170178V	Bracket, Amerex Nozzle Cone	1				
6	2970895	Fitting, Connector (1/2 Tube x 1/2"MPT)	1				
7	2970958	Fitting, Hose (1/2" Straight Female)	1				

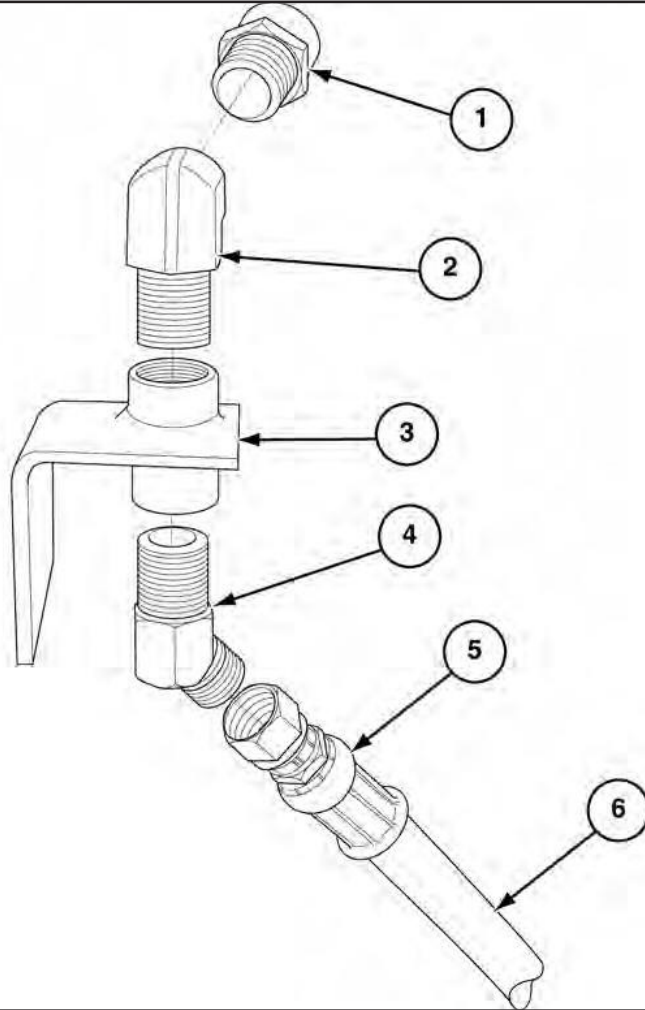
ENGINE COMPARTMENT CURBSIDE



**AMEREX FIRE SUPPRESSION HOSES & FITTINGS
AT ENGINE COMPARTMENT CURBSIDE
0415686**

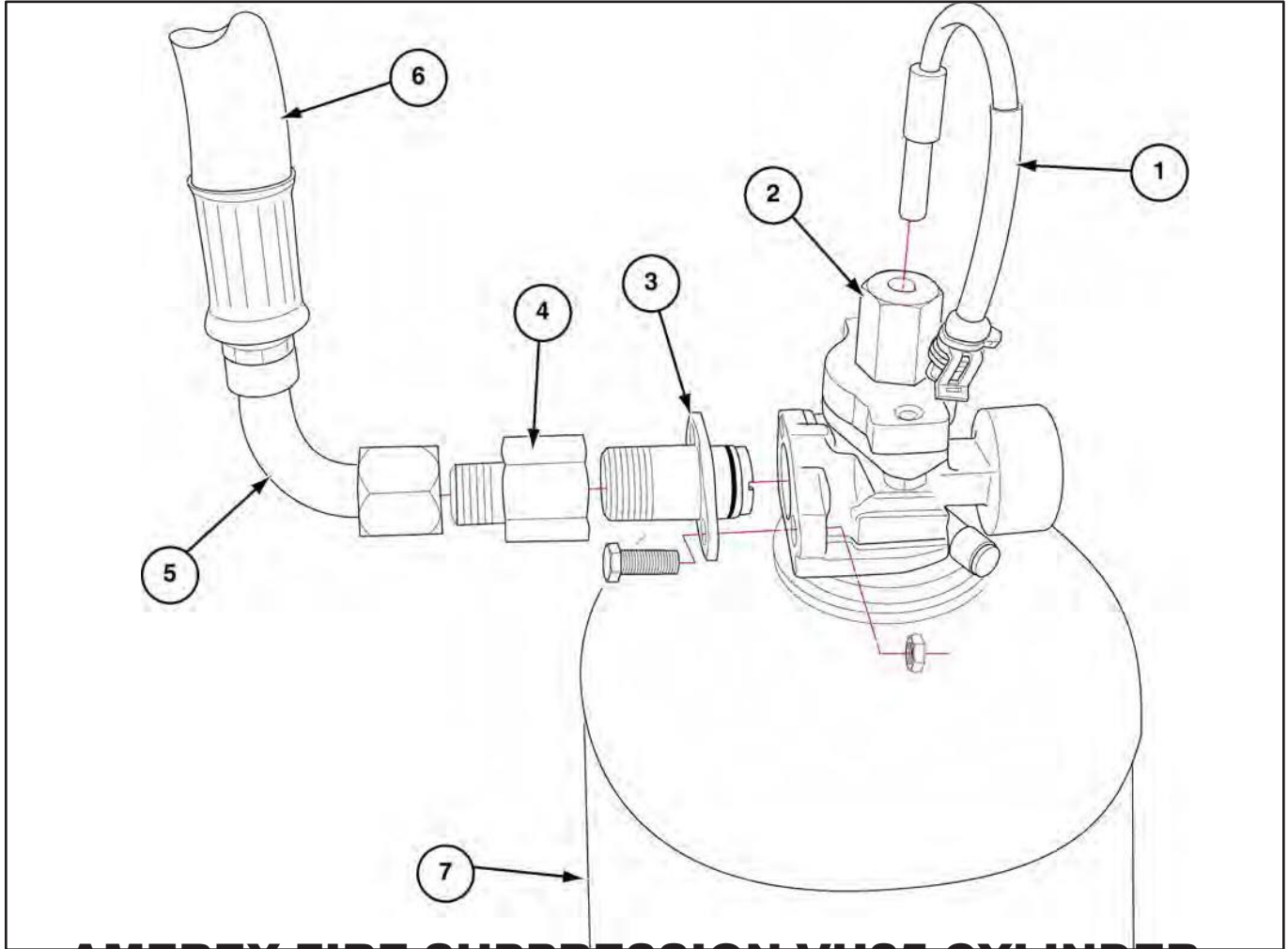
<i>ITEM</i>	<i>PART NO.</i>	<i>DESCRIPTION</i>	<i>QTY</i>	<i>ITEM</i>	<i>PART NO.</i>	<i>DESCRIPTION</i>	<i>QTY</i>
1	6170188V	Nozzle, Cone	1				
2	6170189V	Bracket, Nozzle Cone	1				
3	2971061	Fitting, Elbow Street 90°	1				
4	2970895	Fitting, Connector (½ Tube x ½" MPT)	1				
5	2970958	Fitting, Straight Swivel (1				
6	2970949	Discharge Hose (½")	A/R				

**ENGINE COMPARTMENT
ROADSIDE**



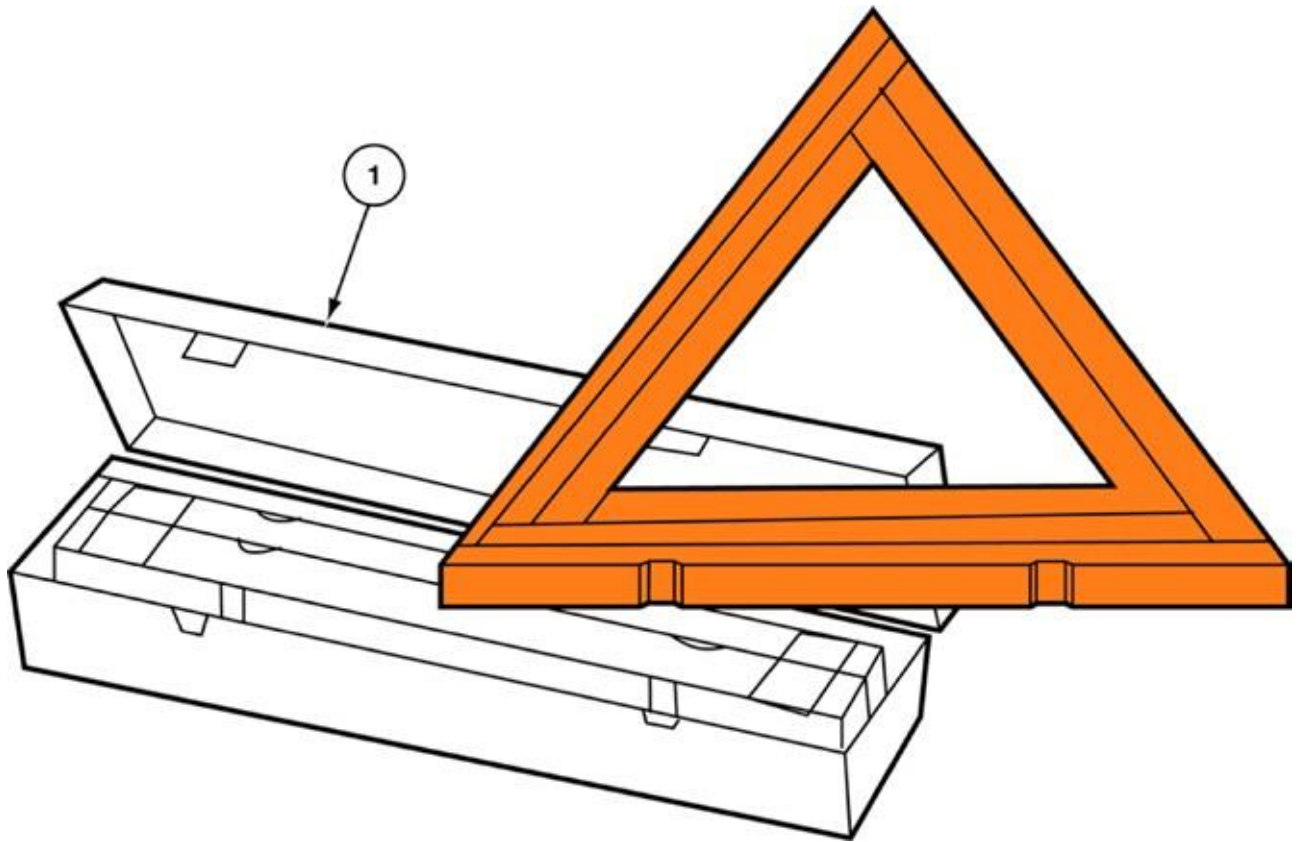
**AMEREX FIRE SUPPRESSION HOSES & FITTINGS
AT ENGINE COMPARTMENT ROADSIDE
0415686**

<i>ITEM</i>	<i>PART NO.</i>	<i>DESCRIPTION</i>	<i>QTY</i>	<i>ITEM</i>	<i>PART NO.</i>	<i>DESCRIPTION</i>	<i>QTY</i>
1	6170188V	Nozzle, Cone	1				
2	2971061	Fitting, 90° Street Elbow	1				
3	6170179V	Bracket, Nozzle Cone	1				
04	2971062	Fitting, 45° (1/2 MPx1/2" MPT)	1				
5	2970958	Fitting, Hose (1/2" Straight Female)	1				
6	2970949	Discharge Hose	A/R				



**AMEREX FIRE SUPPRESSION VH25 CYLINDER
SUB-ASSEMBLY
0415686**

<i>ITEM PART NO. DESCRIPTION</i>	<i>QTY</i>	<i>ITEM PART NO. DESCRIPTION</i>	<i>QTY</i>
1 6170197V Actuator, Electric	1		
2 6170796V Control, Modular Head	1		
3 6170186V Kit, Discharge Fitting	1		
4 2670897 Fitting, Connector	1		
5 3970957 Fitting, Elbow Swivel 90°	1		
6 2970950 Hose, Discharge (3/4")	A/R		
7 6170141 Cylinder, 25lb Fire Suppression	1		



reflective warning triangle

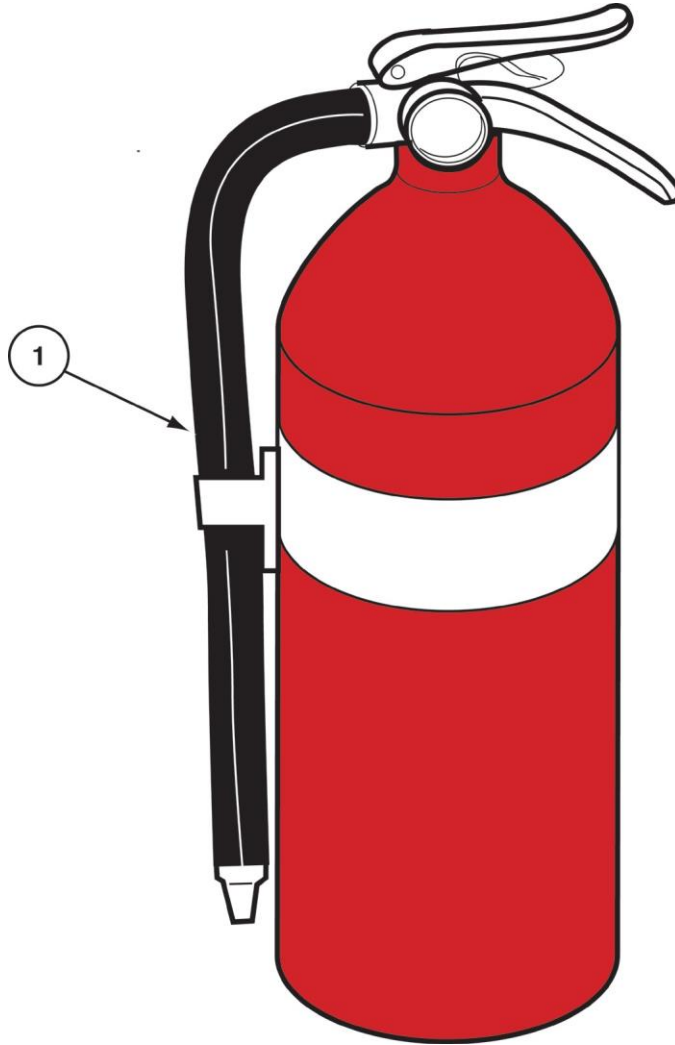
cX0000072827/0403485

<i>ITEM</i>	<i>PART NO.</i>	<i>DESCRIPTION</i>	<i>QTY</i>	<i>ITEM</i>	<i>PART NO.</i>	<i>DESCRIPTION</i>	<i>QTY</i>
01	6140792	KIT, TRIANGLE WARNING #449	1				
N/S	8570715	SCREW (10 x 5/8 PAN PHIL BLACK OXIDE)	4				
N/S	8570743	SCREW (10 x 3/4 PAN QUADREX BLACK)	4				



BIO HAZARD KIT
0412189

<i>ITEM PARTNO. DESCRIPTION</i>	<i>QTY</i>	<i>ITEM PARTNO. DESCRIPTION</i>	<i>QTY</i>
01 6170353 KIT, BIO-HAZARD (2555OVERSIZED)	1		



5lb fire extinguisher
Cx-000-900-0603 / Cx0000070603

<i>ITEM</i>	<i>PART NO.</i>	<i>DESCRIPTION</i>	<i>QTY</i>	<i>ITEM</i>	<i>PART NO.</i>	<i>DESCRIPTION</i>	<i>QTY</i>
01	6170108	EXTINGUISHER, FIRE (5 LB.)	1				
N/S	8570945	SCREW (10 x 3/4 PAN QUAD)	4				



FIRST AID KIT (13 UNITS)
CX-000-900-0604 / CX0000070604

<i>ITEM PART NO. DESCRIPTION</i>	<i>QTY</i>	<i>ITEM PART NO. DESCRIPTION</i>	<i>QTY</i>
01 6140784 KIT, FIRST AID SMALL WITH BUS FILL	1		
N/S 8570946 SCREW, (1" x 1/2) PAN QUAD EMPGD CLEAR	3		



**ESCAPE HATCH W/TETHER & ALARM
0421018**

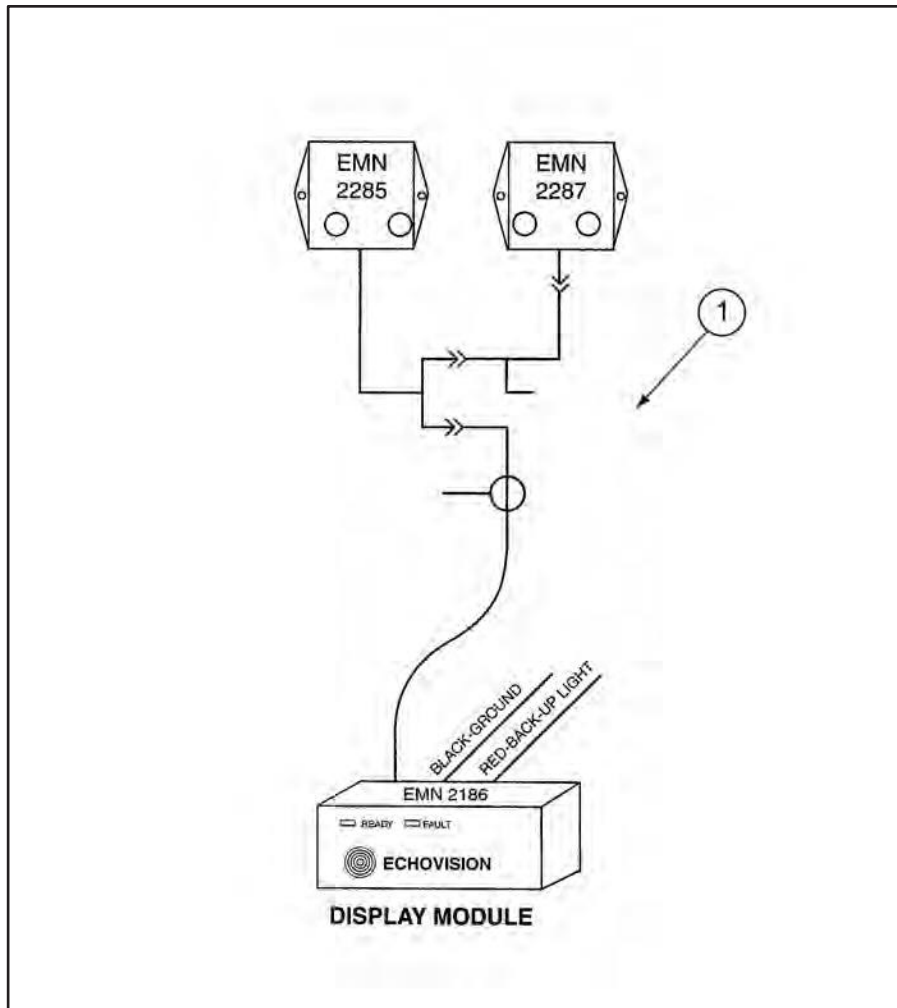
<i>ITEM</i>	<i>PART NO.</i>	<i>DESCRIPTION</i>	<i>QTY</i>	<i>ITEM</i>	<i>PART NO.</i>	<i>DESCRIPTION</i>	<i>QTY</i>
01	0171961	Hatch, Escape Hatch W/Tether & Alarm	1				



Back up alarm

cx0000070208 / cH-000-900-0208

<i>ITEM PART NO. DESCRIPTION</i>	<i>QTY</i>	<i>ITEM PART NO. DESCRIPTION</i>	<i>QTY</i>
01 3943396 Alarm, Backup	1		
N/S 0403487 Harness, Wire Back-Up Alarm	1		
N/S 3942299 Terminal, Ring Blue	3		
N/S 3945623 Loom, 1/4" Split Plastic Hi-Temp	A/R		
N/S 3971314 Wire, 14ga White - Marked	A/R		
N/S 3971933 Wire, 14ga White - UnMarked	A/R		



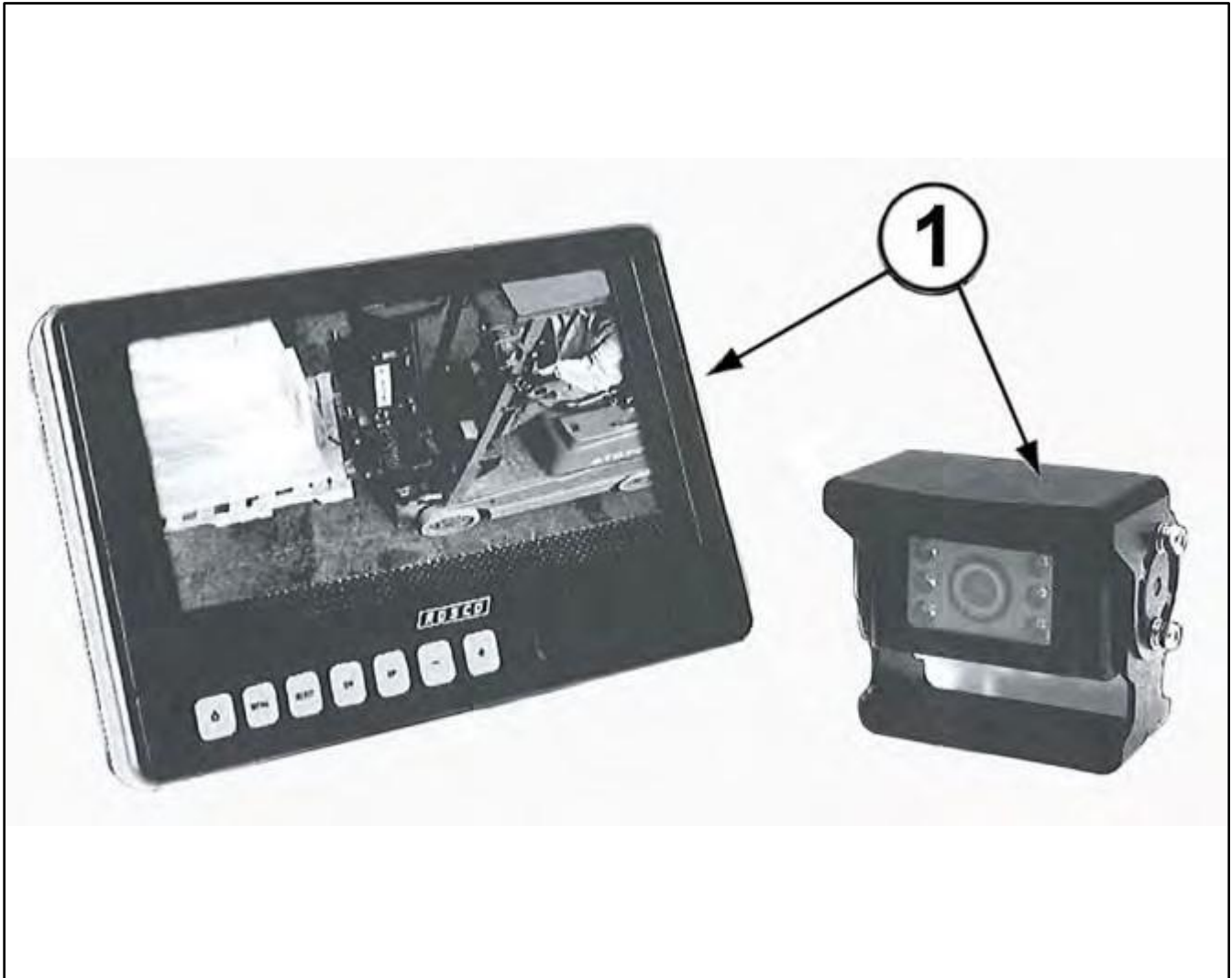
back up alarm
c x0000070046

<i>ITEM PART NO. DESCRIPTION</i>	<i>QTY</i>	<i>ITEM PART NO. DESCRIPTION</i>	<i>QTY</i>
01 3972499E Alarm, Back-Up Echovision	1		



Hawkeye back up alarm 0420655

<u>ITEM PART NO.</u>	<u>DESCRIPTION</u>	<u>QTY</u>	<u>ITEM PART NO.</u>	<u>DESCRIPTION</u>	<u>QTY</u>
01	3975672 Alarm, Back Up Hawkeye	1			



**ROSCO BACKUP CAMERA - HTD
3975372**

<i>ITEM</i>	<i>PART NO.</i>	<i>DESCRIPTION</i>	<i>QTY</i>	<i>ITEM</i>	<i>PART NO.</i>	<i>DESCRIPTION</i>	<i>QTY</i>
00	3975372	Camera, Backup Heated Rosco	1				



**heated camera backup system
3976183**

<i>ITEM</i>	<i>PART NO.</i>	<i>DESCRIPTION</i>	<i>QTY</i>	<i>ITEM</i>	<i>PART NO.</i>	<i>DESCRIPTION</i>	<i>QTY</i>
01	3976183	Camera, Backup Heated Rosco	1				



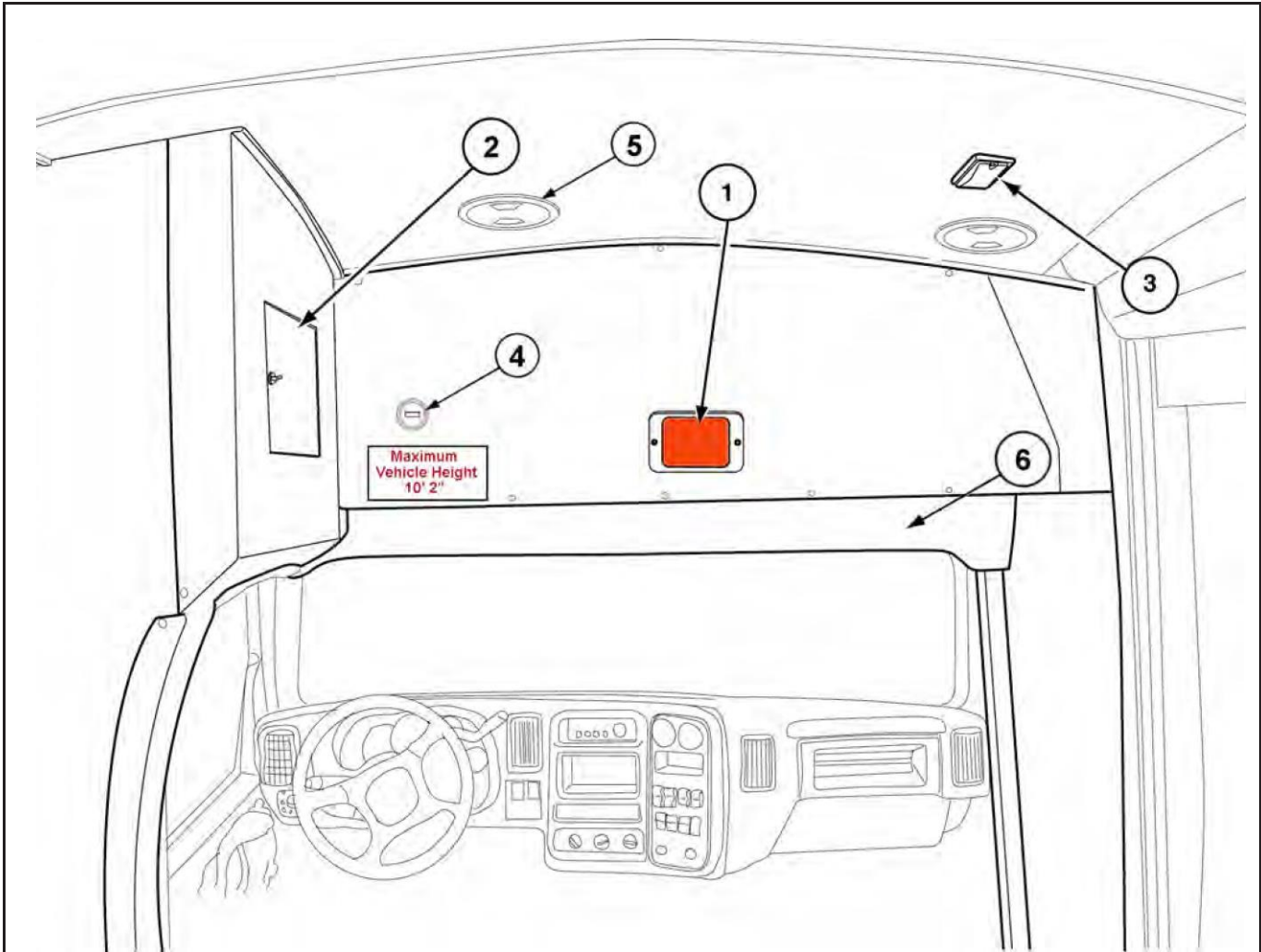
**backup camera w/rearview mirror
0420985**

<i>ITEM</i>	<i>PART NO.</i>	<i>DESCRIPTION</i>	<i>QTY</i>	<i>ITEM</i>	<i>PART NO.</i>	<i>DESCRIPTION</i>	<i>QTY</i>
01	3975772	Camera, Backup W/Rearview Mirror	1				



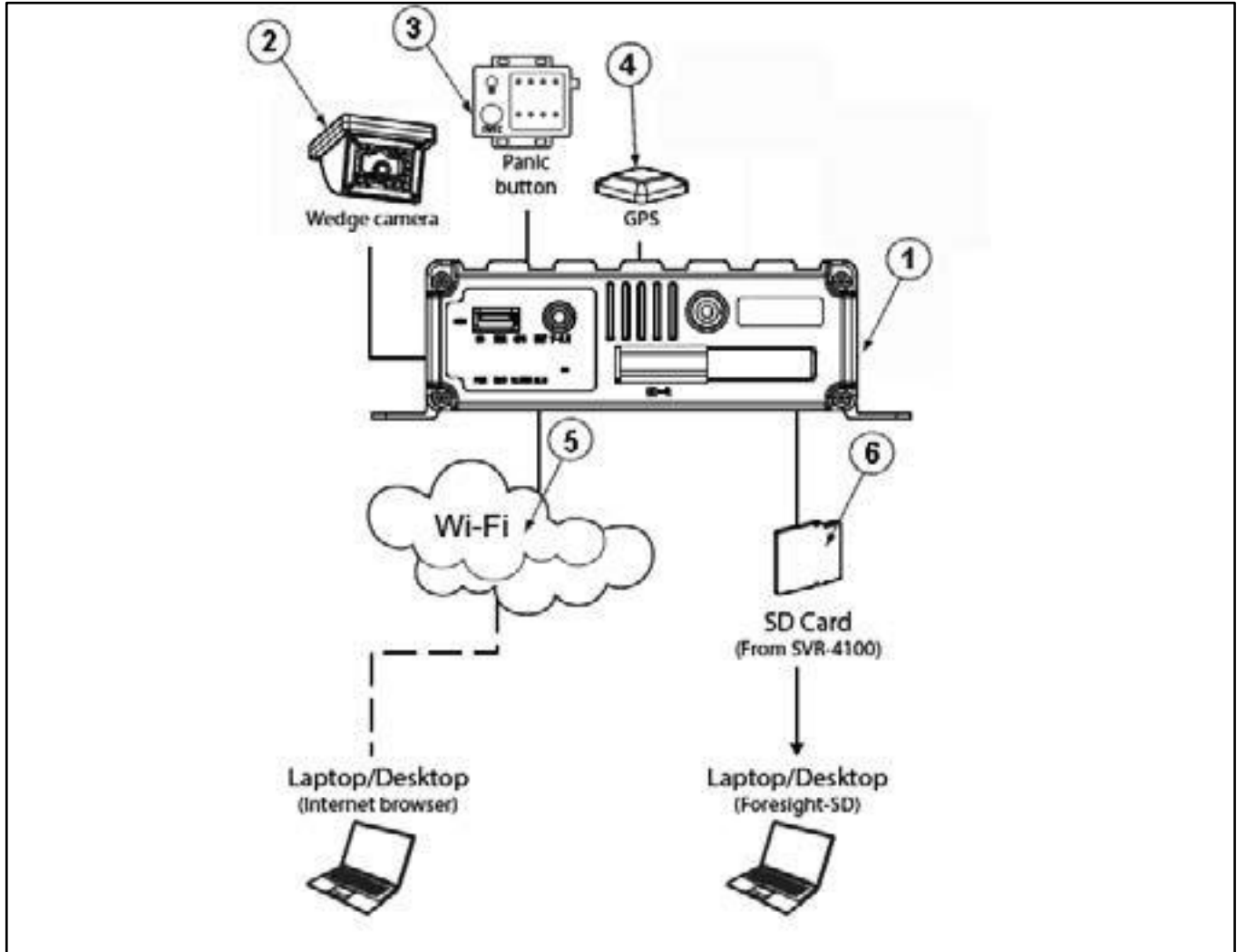
**FRESNAL LENS
CX-000-900-3242**

<i>ITEM PART NO. DESCRIPTION</i>	<i>QTY</i>	<i>ITEM PART NO. DESCRIPTION</i>	<i>QTY</i>
01 5941612 Lens, Wide Angle Rear Window	1		



Permit Holder, Hour meter
0413219 / 0418498 / CX0000023097 (REV-A)

<i>ITEM</i>	<i>PART NO.</i>	<i>DESCRIPTION</i>	<i>QTY</i>	<i>ITEM</i>	<i>PART NO.</i>	<i>DESCRIPTION</i>	<i>QTY</i>
0413219 HOLDER, PERMIT				CX0000012955 ENGINE HOUR METER			
01	6570116	Holder, Permit #43424	1	04	3944741	Meter, Hour 331-020	1
NS	0342428	Steel, Flat 16GA x 6 x 96"	AR	0403063 PORT ACCESS 5.0			
2	3371928	Door, Electric Panel Access	1	05	3342144	Port, Access 5.0	2
CX0000023097 DOME LIGHT, DOOR ACTUATED				06	3371793	Windshield Cap	1
3	3943917	Light, Dome W/Out Switch	1	NS	3371243	Front Board Panel	1



safety vision route recorder - 4100 0422000

ITEM	PART NO.	DESCRIPTION	QTY	ITEM	PART NO.	DESCRIPTION	QTY
00	3975971	Kit, 4 Camera Safety Vision PDOT					
1		Route Recorder 4100	1				
2		Camera, Wedge Ext, IR, Mic, 2.6mm	4				
3		Panic Button + Status Indicator w/Cable	1				
4		GPS	1				
5		Wi-Fi	1				
6	3975972	Card, 64GB SD Safety Vision	1				



**bus watch system hd800 w/8 cameras
0420656**

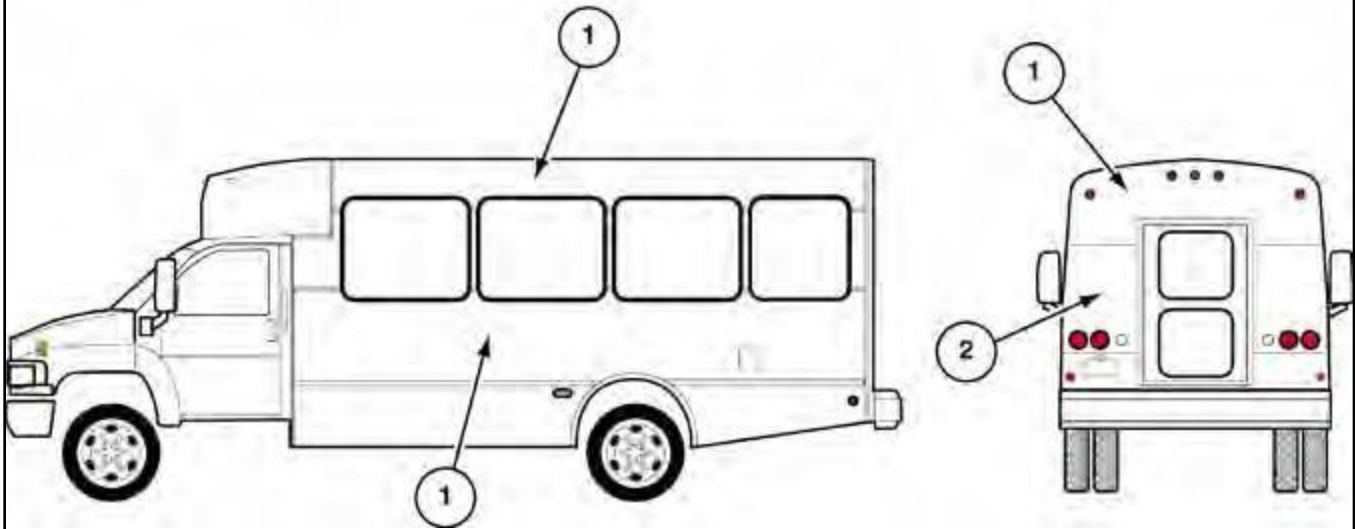
<i>ITEM</i>	<i>PART NO.</i>	<i>DESCRIPTION</i>	<i>QTY</i>	<i>ITEM</i>	<i>PART NO.</i>	<i>DESCRIPTION</i>	<i>QTY</i>
		3975678 Kit, BW Camera HD800 8-Camera					
01	3975624	DVR, HD800 8-Channel	1	06	3975013	Cable, Camera 40'	1
2	3975023	HDD Module, 320GB SATA, HD Series	1	07	3975413	Cover, Camera. Illuminator Come	4
3	3975021	Camera, Dome 4MM W/Audio	4	NS	N/A	CD, REI VMS & Documentation	1
	3975412	Camera, Dome 2.8MM	1	NS	3974135	Harness, Event Marker 20'	1
4	3975563	Camera, 4MM Ext. Left Front/Rt Rear	1	NS	3975012	Cable, Camera 15'	1
	3975563	Camera, 4MM Ext. Right Front/Lt Rear	1	NS	3975137	Cable, Camera 25'	2
5	3975024	Sensor, Inertia 10G	1	NS	3975011	Cable, Camera Power DVD	1
				NS	3975670	Cable, Ext. Camera Adapter BW	2



**SEAT BELT WEB CUTTER
CX-000-900-0613 (REV-A), CX0000070613**

<i>ITEM</i>	<i>PART NO.</i>	<i>DESCRIPTION</i>	<i>QTY</i>	<i>ITEM</i>	<i>PART NO.</i>	<i>DESCRIPTION</i>	<i>QTY</i>
01	7371405	CUTTER, TIEDOWN BELT	1				

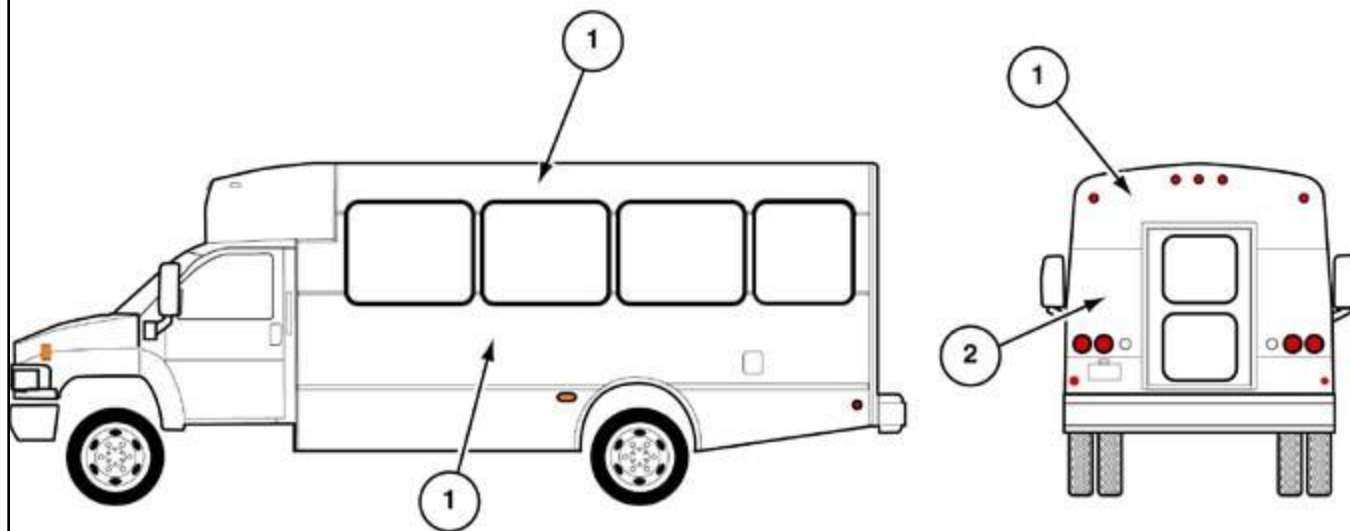
**BEFORE PLACING ORDER FOR
EXTERIOR GELCOAT PANELS
YOU MUST HAVE DIMENSION
REQUIRED FOR REPAIR**



**severe weather package pdot
ch2700055247, 0413993 / 0407876 / 0414067**

<i>ITEM PART NO. DESCRIPTION</i>	<i>QTY</i>	<i>ITEM PART NO. DESCRIPTION</i>	<i>QTY</i>
0415268 (REV-A)Exterior Gelcoat Panels		0414067 Undercoat In Tubes	
1 3371971 Panel, Noble Select 4MM x 348" x 48 AR		NS 9770058 Undercoat, Tectyl 121B	4
2 3371971 Panel, Noble Select 4MM x 348"x 48"		CH2700030026 5/8 Plywood Flooring Treated	
AR NS 0970014 Lauan, Raw 3.6MM x 48 x 96 AR		NS 0400450 Floor, Front Board 5/8" Assembly	1
0413993 Wheelwell S/S 14GA		NS 0970044 Plywood, 5/8 x 4 x 8 - 5 Ply ACQ	6
NS 0377822 Wheelwell, Challenger Ford S/S 14GA	2	CX2500046009 HEATER HOSE PIPE WRAP	
0407876 Foamseal 80# North		NS 0770049 Insulation, Pipe 3/8 x 7/8 x 6'	AR
NS 0770073 Resin, S12875 (2500) LB Per Blue Tote	40		
NS 0740019 ISO, FSA/ (3250) LB Per Black Tote	40		

**BEFORE PLACING ORDER FOR
EXTERIOR GELCOAT PANELS
YOU MUST HAVE DIMENSION
REQUIRED FOR REPAIR**



**severe weather package pdot (rev-a)
cr2100055247, 045268 / 012199 / 0414067**

<i>ITEM PART NO. DESCRIPTION</i>	<i>QTY</i>	<i>ITEM PART NO. DESCRIPTION</i>	<i>QTY</i>
0415268 Exterior Gelcoat Panels (REV-A)			
01 3371971 Panel, CTEC 100 4MM x 348" x 48"	AR	NS 9770058 Undercoat, Tectyl 121B	4
02 3371971 Panel, CTEC 100 4MM x 348" x 48"	AR	CR2100030026 5/8 Plywood Flooring Treated	
NS 0360446 Angle, 16GA 1.0 x 1.5 x 96.0 Galv.	AR	NS 0970024 Lumber, 2 x 6 x 96.0 #2	AR
0412199 Wheelwell Crusader S/S 14GA			
NS 0377455 Wheelwell, Stainless St 14GA CR	2	NS 0970044 Plywood, 5/8 x 4 x 8 - 5 Ply ACQ	4
0407876 Foamseal 80# North			
NS 0770073 Resin, S12875 (2500) LB Per Blue Tote	40	CX2500046009 HEATER HOSE PIPE WRAP	
NS 0740019 ISO, FSA/ (3250) LB Per Black Tote	40	NS 0770049 Insulation, Pipe 3/8 x 7/8 x 6'	AR

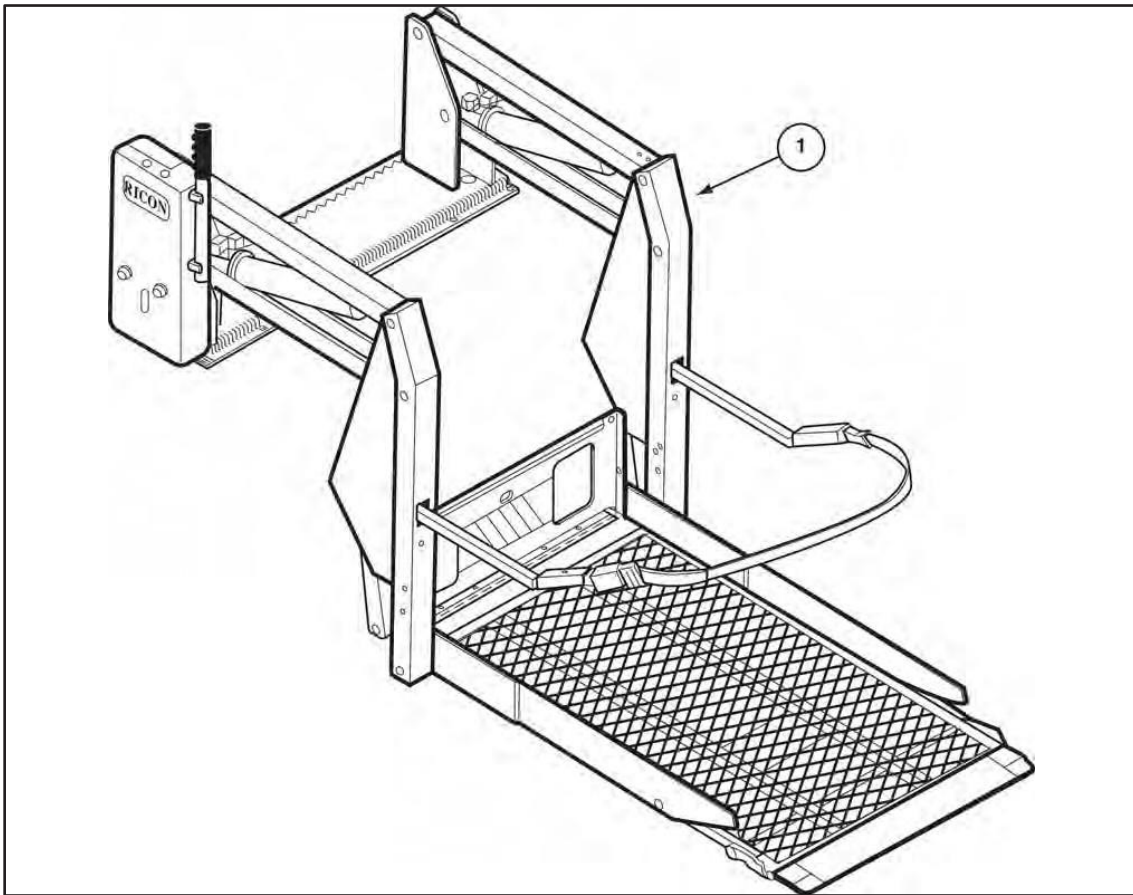


**CHAMPION
BUS, INC.**

Wholly owned subsidiary of Thor Industries, Inc.

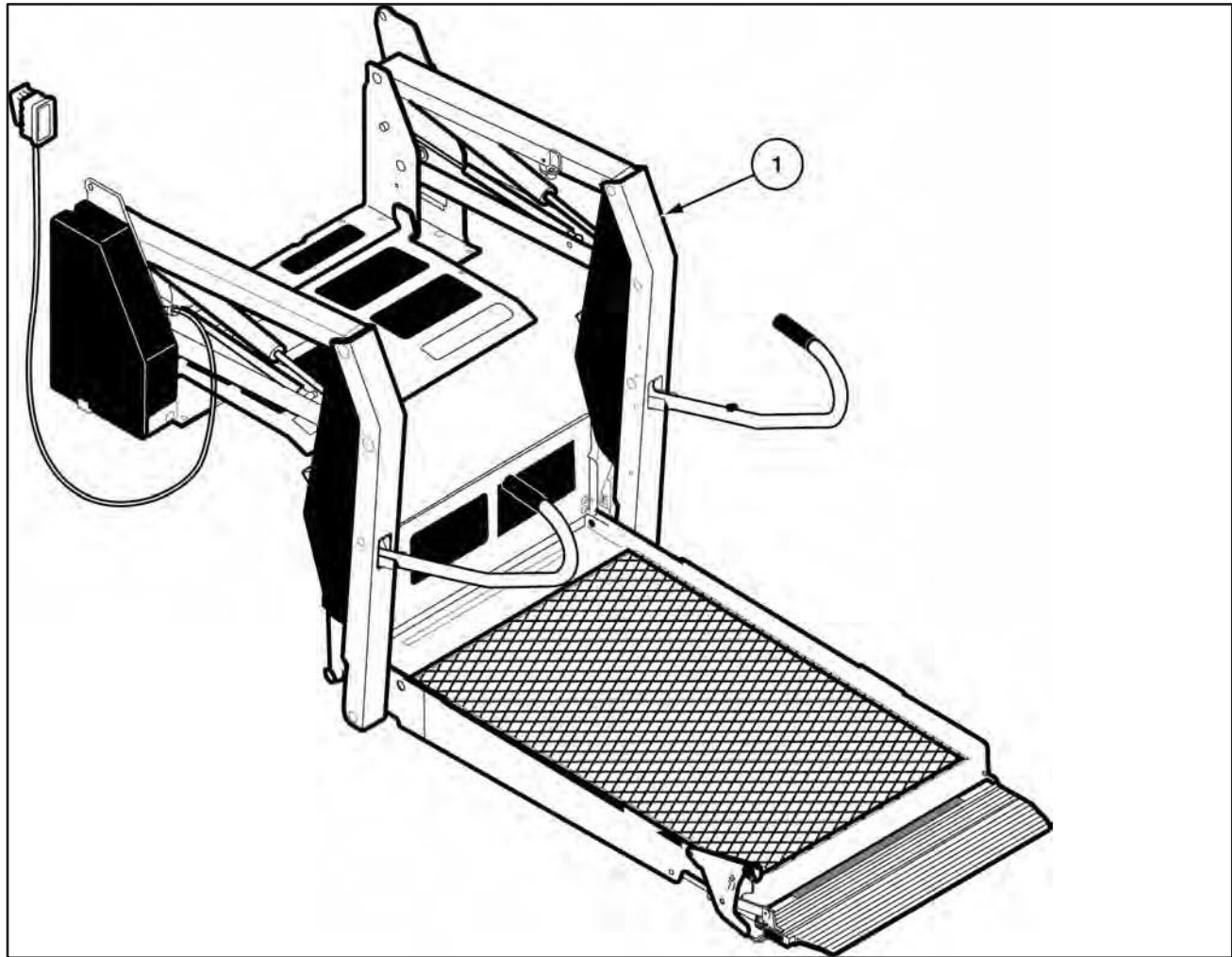
SECTION 11:

OPTIONAL EQUIPMENT



rico n lift s-5510 s-se ries (2008)
pa000f d65516, 0416956

<i>ITEM PART NO. DESCRIPTION</i>	<i>QTY</i>	<i>ITEM PART NO. DESCRIPTION</i>	<i>QTY</i>
01 3974340 Lift, Ricon S-5510 2008	1		
NS 3971807 Breaker, 90 AMP Main Ricon	1		
NS 3973791 Kit, Padding Lift Ricon 5000 Series	1		
NS 8940561 Decal, Paratransit (8.75 x 8.75)	1		
NS 6170393 Kit, Interlock Activation Gas/Dsl	1		



BRAUN LIFT (NL919IB)
PA000GX65517 / 0416955

<i>ITEM PART NO. DESCRIPTION</i>	<i>QTY</i>	<i>ITEM PART NO. DESCRIPTION</i>	<i>QTY</i>
0416955, (NL 919IB)			
01 3974341 Lift, Braun NL919IB-2 PDOT '08	1		
NS 8970561 Decal, Paratransit 8.75 x 8.75	1		
NS 3973822 Cable, Guarded Pendant Braun	1		
NS 3973696 Kit, Padding Braun Lift	1		
NS 3973693 Kit, Reflective Tape	1		



INTERLOCK/FAST IDLE ILIS gm610 gAS/DSL PA000GX65517 / 0411589

<i>ITEM PART NO. DESCRIPTION</i>	<i>QTY</i>	<i>ITEM PART NO. DESCRIPTION</i>	<i>QTY</i>
01 6170391 Interlock, ILIS FD 05 Gas/DSL	1		
NS 6170604 Kit, Interlock Activation 2008 Chevy	1		



Priority seating sign
cx-000-900-3132 - cx0000063132

<i>ITEM</i>	<i>PART NO.</i>	<i>DESCRIPTION</i>	<i>QTY</i>	<i>ITEM</i>	<i>PART NO.</i>	<i>DESCRIPTION</i>	<i>QTY</i>
01	8970154	Decal, "Priority Seating"	1				
02	8570812	Rivet, Pop 1/8 x .325 - .500 GRP S/S	2				
03	4370095	Steel, Coil .021 x 48 Painted	A/R				

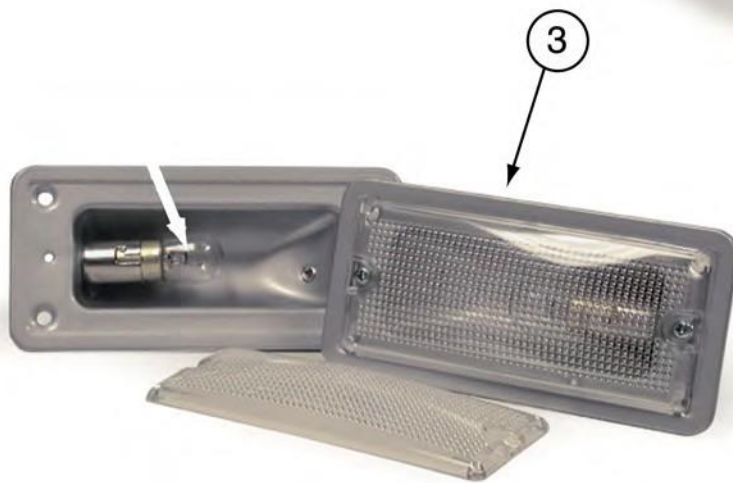
**FORWARD FACING
WHEELCHAIR SECUREMENT LOCATION**



INSTALL WHEELCHAIR LOCATION SIGN

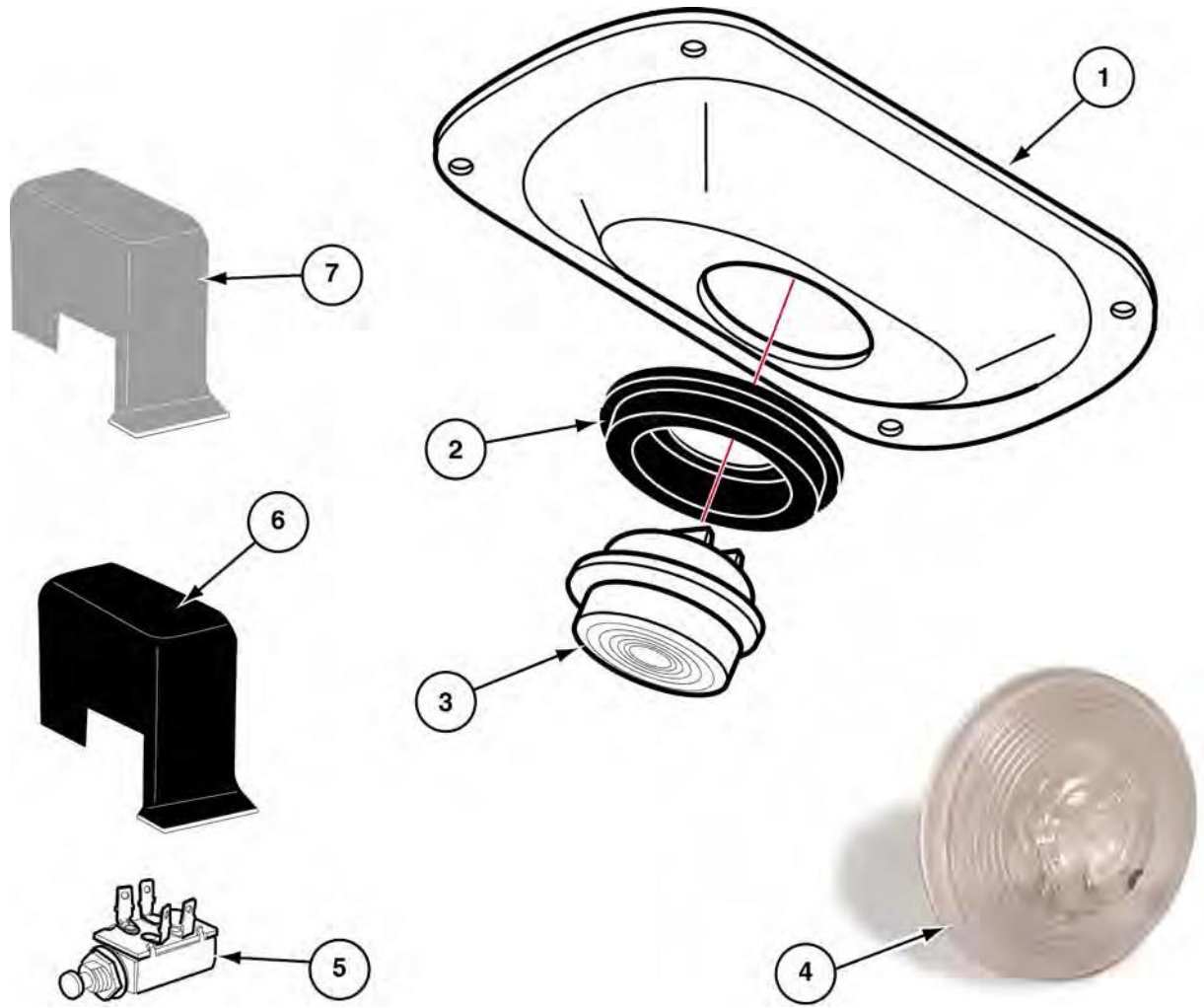
CH000FF65519 - CX-000-900-3173 / PA000FD65516

<i>ITEM</i>	<i>PARTNO.</i>	<i>DESCRIPTION</i>	<i>QTY</i>	<i>ITEM</i>	<i>PARTNO.</i>	<i>DESCRIPTION</i>	<i>QTY</i>
01	8970800	LABEL, FWD FACING WHEELCHAIR SECUREMENT	1				



dOOR ACTuATED ENTrANCE LighTiNg (AdA)
Cx-000-900-3174 / CH000FF65519 / PA000FD65516

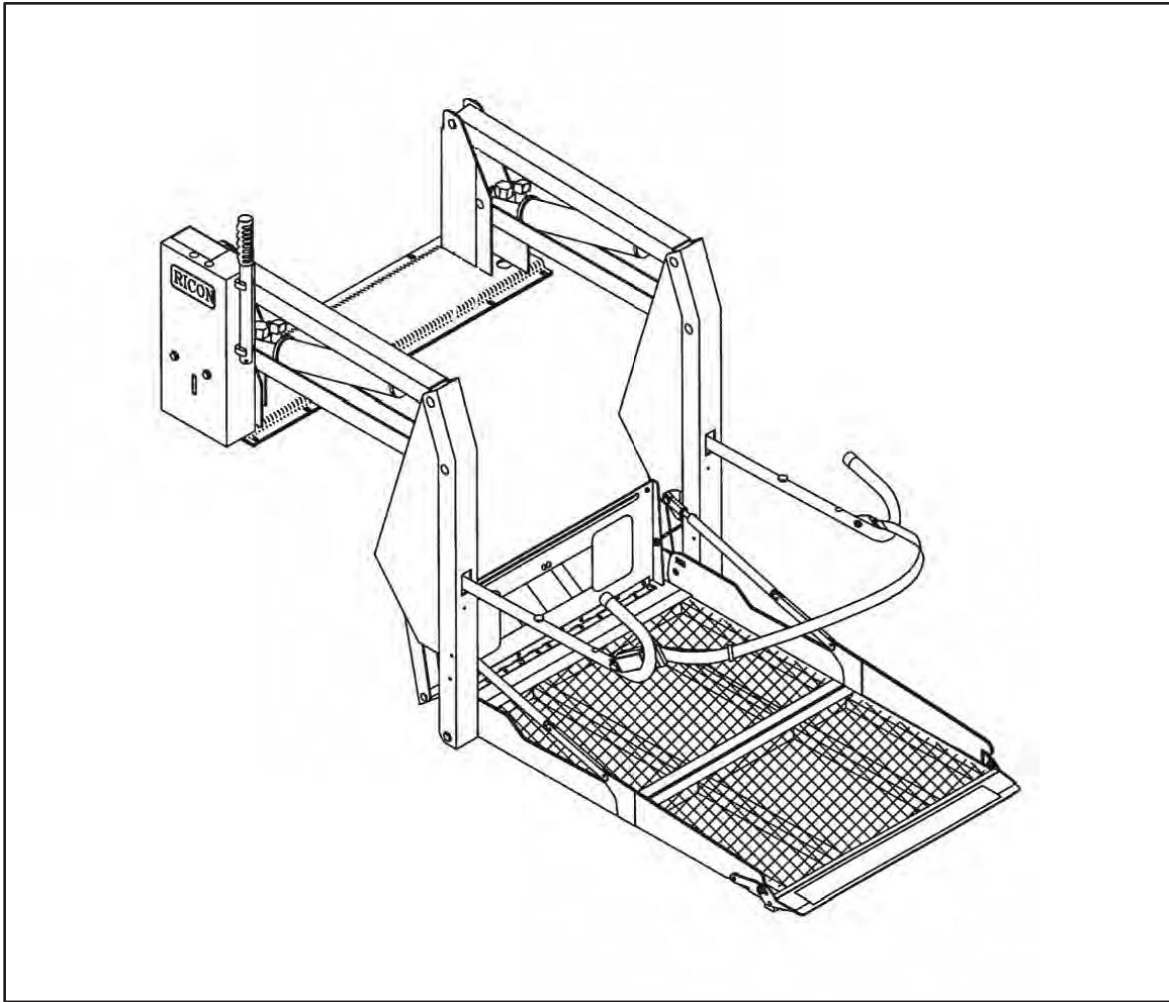
<i>ITEM PART NO. DESCRIPTION</i>	<i>QTY</i>	<i>ITEM PART NO. DESCRIPTION</i>	<i>QTY</i>
1 3971448 Light, Courtesy M434	2		
2 0403822 Landing Light (ADA)	1		
3 0403157 Light with out Switch	1		



LIFT DOOR ACTUATED LIGHTING

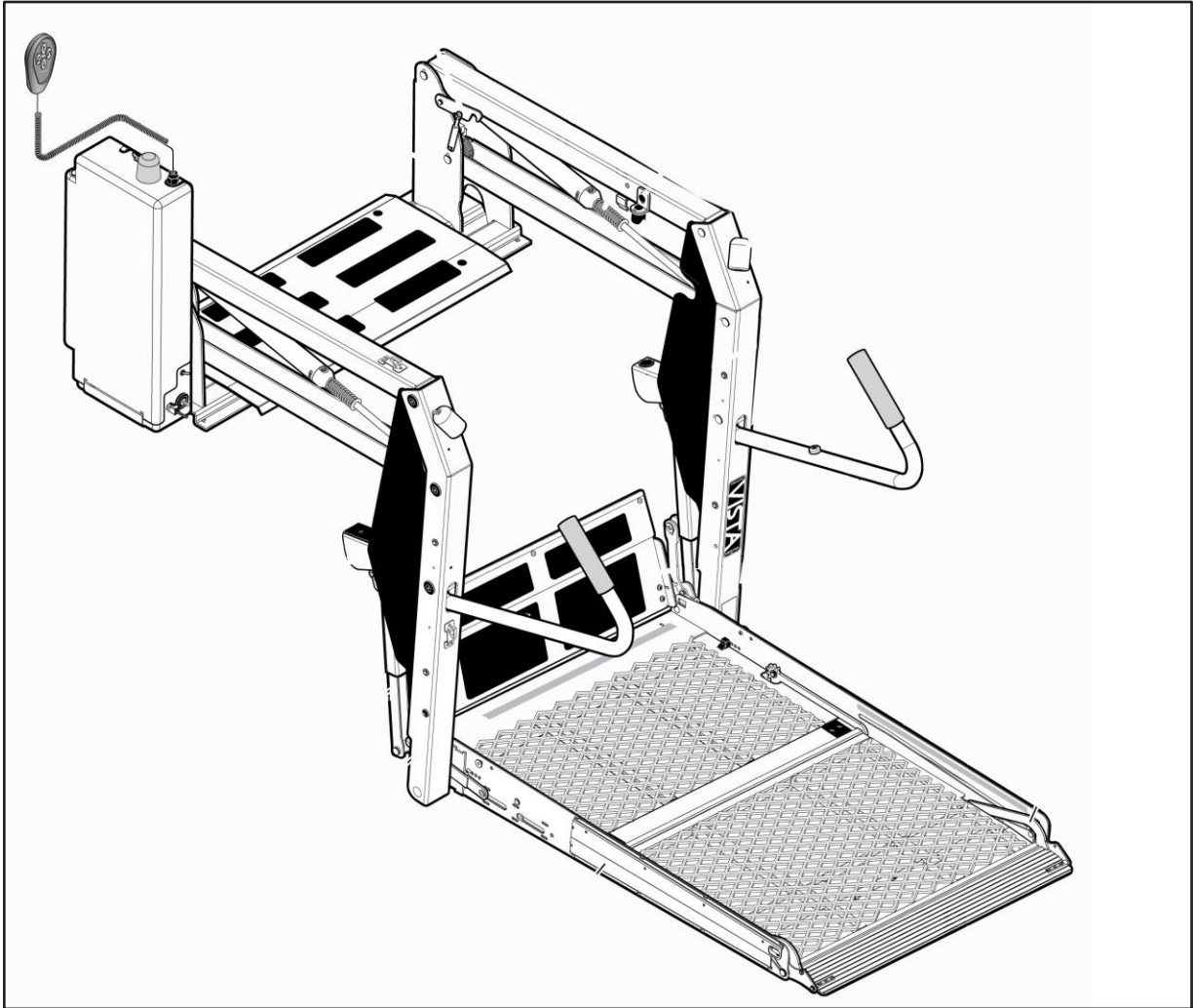
CX-000-900-3162

<i>ITEM PART NO. DESCRIPTION</i>	<i>QTY</i>	<i>ITEM PART NO. DESCRIPTION</i>	<i>QTY</i>
01 3371024 BEZEL, 4" ROUND INTERIOR LIFT LIGHT	1		
02 3972986 GROMMET, 4" DIA.	1		
3 3971914 LIGHT, 4" ROUND INTERIOR LIFT	1		
4 3971447 LIGHT, CLEAR	1		
5 3971963 SWITCH, DOOR POST JAMB (N/C)	1		
6 3371079 COVER, JAMB SWITCH	1		
7 3371674 COVER, LIFT DOOR SWITCH (GRAY)	1		



rico n lift k-5010 klearvue
0413803, 0413801 / CH000FP65514

<i>ITEM PART NO. DESCRIPTION</i>	<i>QTY</i>	<i>ITEM PART NO. DESCRIPTION</i>	<i>QTY</i>
01 3973314 Lift, Ricon K5010 ADA	1		
NS 3971807 Breaker, 90 AMP Main Ricon	1		



braun lift nl917fib (35" Platform)
0415929 / 0415930

<i>ITEM PART NO. DESCRIPTION</i>	<i>QTY</i>	<i>ITEM PART NO. DESCRIPTION</i>	<i>QTY</i>
01 3974023 LIFT, BRAUN NL917 W/ 35" Platform	1		

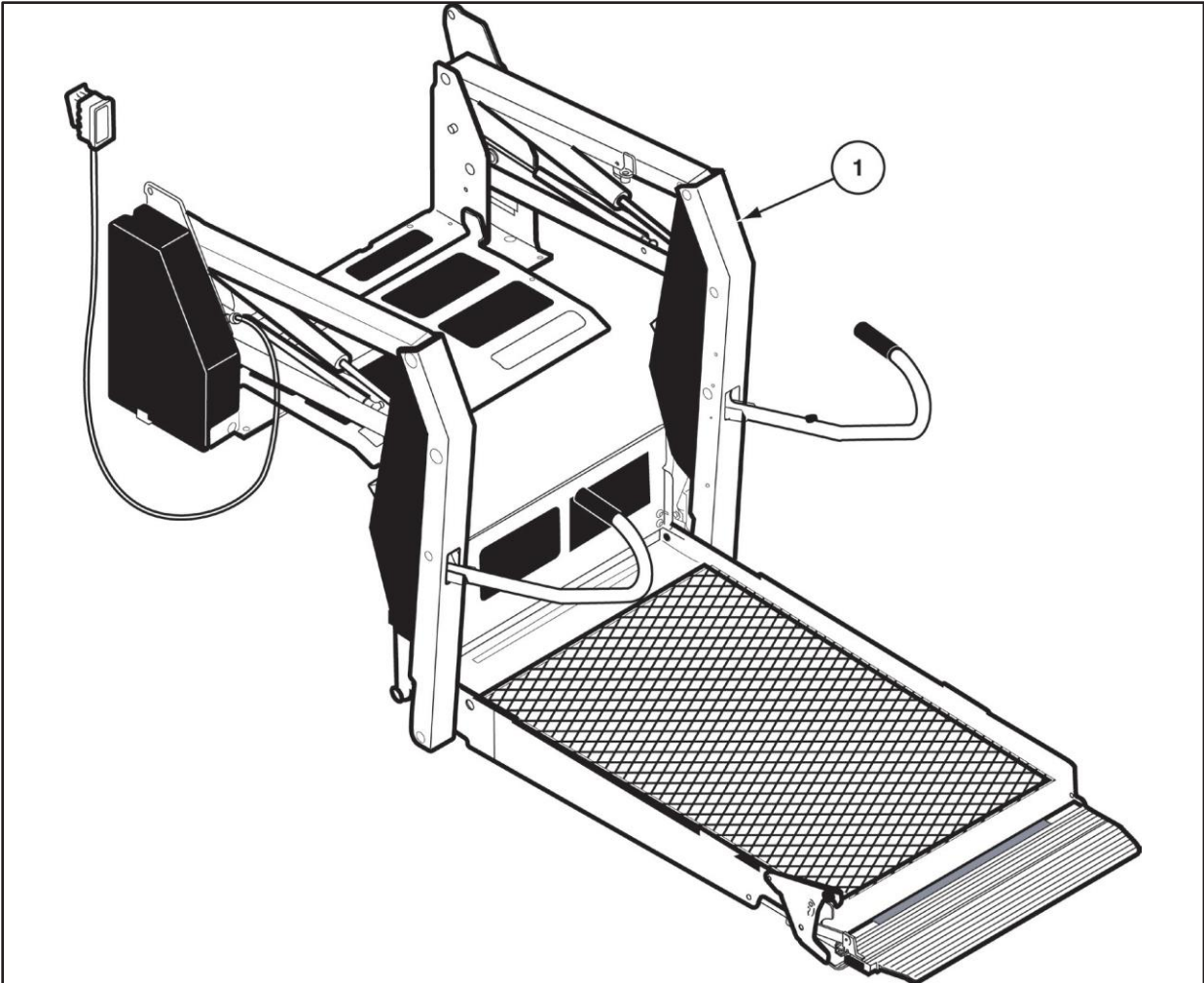
1



INTERLOCK/FAST IDLE INPOWER FORD

0415749 / 0415929 / CH000FP65514

<i>ITEM PART NO. DESCRIPTION</i>	<i>QTY</i>	<i>ITEM PART NO. DESCRIPTION</i>	<i>QTY</i>
01 3974121 Module, Interlock Fast Idle Ford Inp	1		
NS 3974122 Display, Interlock Fast Idle Ford Inp	1		
NS 3974130 Harness, Ford InPower	1		



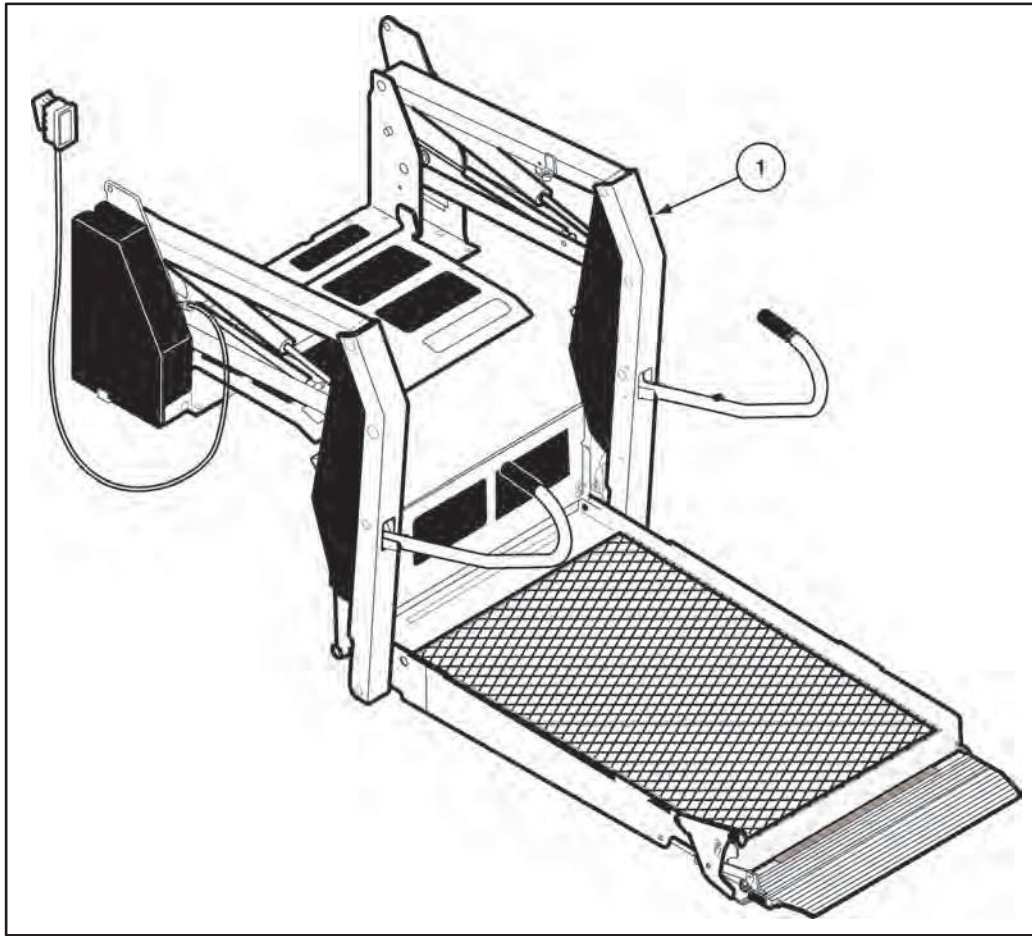
braun lift nl919 #2, 2008
pa000fd65517 / 0416955

<i>ITEM PART NO. DESCRIPTION</i>	<i>QTY</i>	<i>ITEM PART NO. DESCRIPTION</i>	<i>QTY</i>
01 3974341 LIFT, BRAUN NL919IB-2	1		
N/S 3973696 KIT, PADDING BRAUN LIFT	1		
N/S 3973695 DECAL, FLORIDA CERT. BRAUN	1		
N/S 3973693 KIT, REFLECTIVE TAPE BRAUN	1		
N/S 8940561 DECAL, PARATRANSIT 8.75 x 8.75	1		



INTERLOCK ACTIVATION KIT (GAS/DSL) pA000fD65517 / 6170393

<i>ITEM PART NO. DESCRIPTION</i>	<i>QTY</i>	<i>ITEM PART NO. DESCRIPTION</i>	<i>QTY</i>
01 6170393 KIT, Interlock Activation G/D	1		



**BRAUN LIFT, CENTURY NCL919 Ford
PA000FD65515 /PA000FD65515 - 0413810**

<i>ITEM PART NO. DESCRIPTION</i>	<i>QTY</i>	<i>ITEM PART NO. DESCRIPTION</i>	<i>QTY</i>
01 3974165 Lift, Braun Century NCL919 Gen 2	1		
NS 3973357 Enclosure, Braun Circuit Breaker Ext	1		
NS 3971517 Clamp, Vinyl Coated Steel 5/8	3		

1



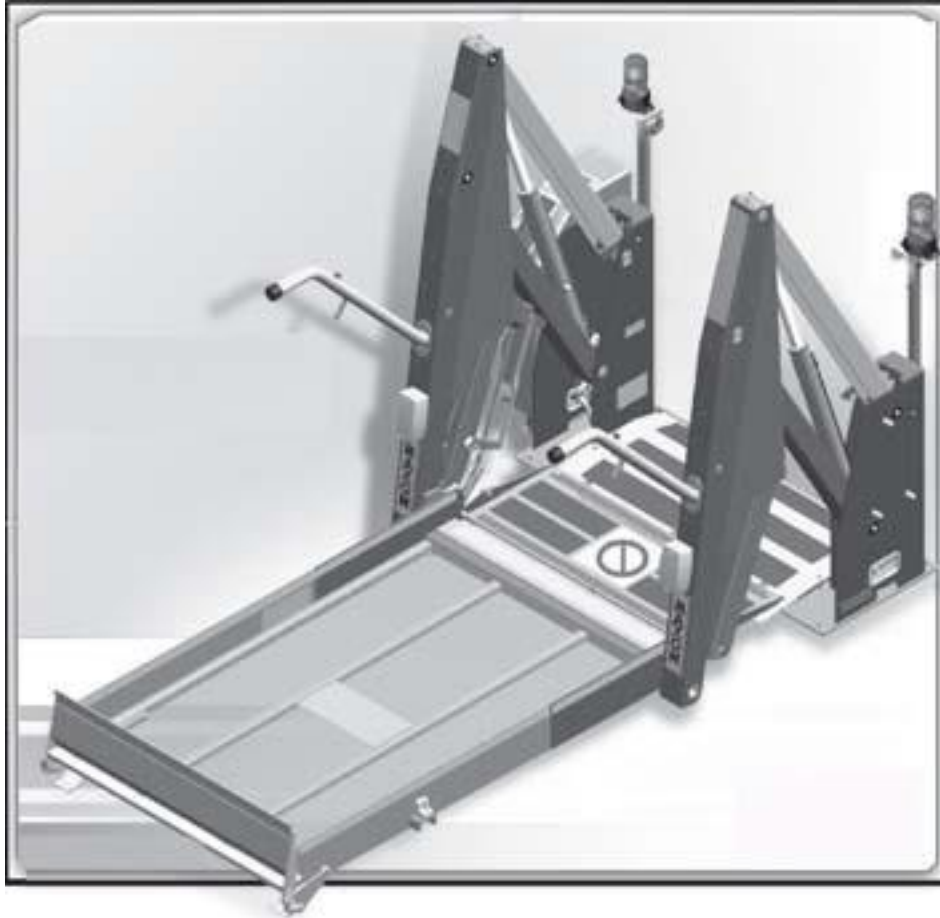
INTERLOCK/FAST IDLE INPOWER FORD PA000FD65515/ PA000FD65515 - 0415749

<i>ITEM PART NO. DESCRIPTION</i>	<i>QTY</i>	<i>ITEM PART NO. DESCRIPTION</i>	<i>QTY</i>
01 3974121 Module, Interlock Fast Idle Ford Inp	1		
NS 3974122 Display, Interlock Fast Idle Ford Inp	1		
NS 3974130 Harness, Ford InPower	1		



BRAUN 1000LB LIFT NCL954 FoRd pdoT 0421610

<i>ITEM PART NO. DESCRIPTION</i>	<i>QTY</i>	<i>ITEM PART NO. DESCRIPTION</i>	<i>QTY</i>
01 3975911 Lift, Braun NCL954 1000LB W/ Hand Blt1			
NS 3975306 Interlock, Ford 08 Brakemax & ILIS	1		
NS 0419710 Placement, W/C 1000LB Lift Braun	1		
NS 0375845 Steel, Flat 11GA 6 x 120 HRS	1		
NS 3971323 Cable, Battery Red 2 GA	30		
NS 3973357 Enclosure, Circuit Breaker Exterior	1		
NS 3975315 Shim Braun Lift Base 25856	2		
NS 3972777 Harness, Lift Std Cutaway	1		
NS 3971515 Grommet, 2-1/8" x 1-3/16" ID	2		
NS 3975787 Holder, Fuse Mega	1		



**maxon lift, 1000 lb fp
pa000fD65558**

<i>ITEM</i>	<i>PART NO.</i>	<i>DESCRIPTION</i>	<i>QTY</i>	<i>ITEM</i>	<i>PART NO.</i>	<i>DESCRIPTION</i>	<i>QTY</i>
-------------	-----------------	--------------------	------------	-------------	-----------------	--------------------	------------

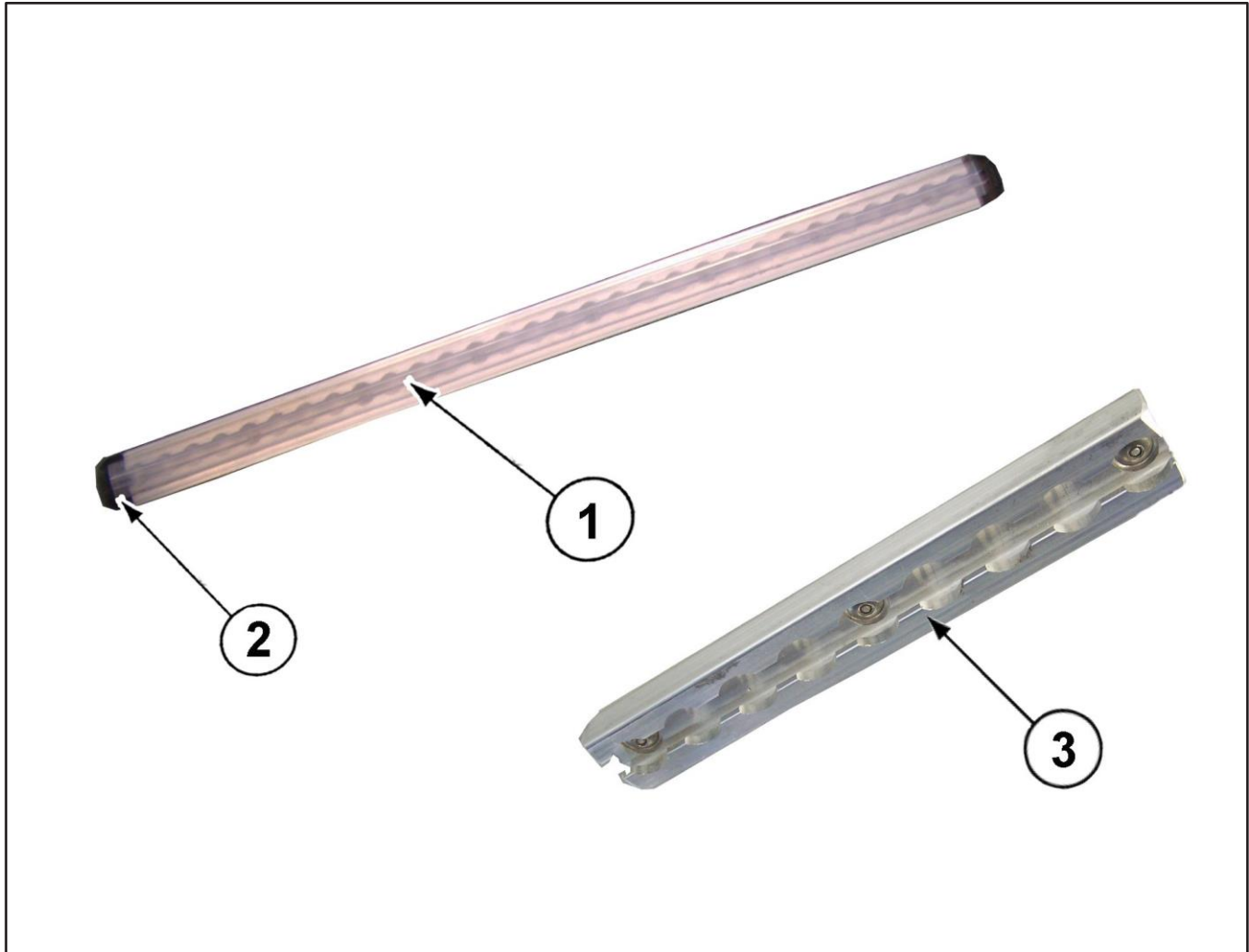
01	3975491	LIFT, MAXON FRNT PUMP 1000# FDOT	1				
----	---------	----------------------------------	---	--	--	--	--

1



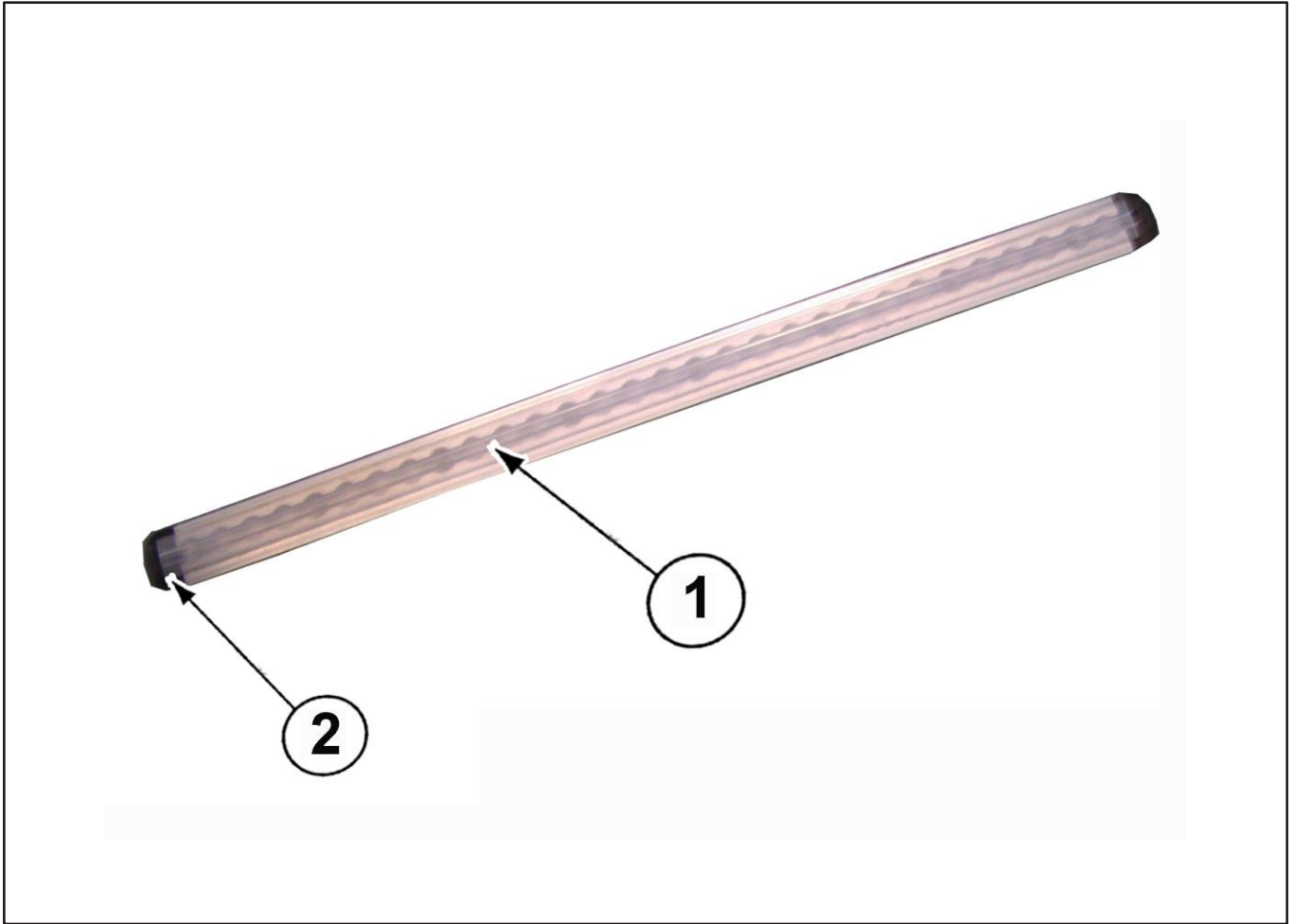
**INTERLOCK/FAST IDLE INPOWER FORD
0415749 / PA000FD6558**

<i>ITEM PART NO. DESCRIPTION</i>	<i>QTY</i>	<i>ITEM PART NO. DESCRIPTION</i>	<i>QTY</i>
01 3974121 Module, Interlock Fast Idle Ford Inp	1		
NS 3974122 Display, Interlock Fast Idle Ford Inp	1		
NS 3974130 Harness, Ford InPower	1		



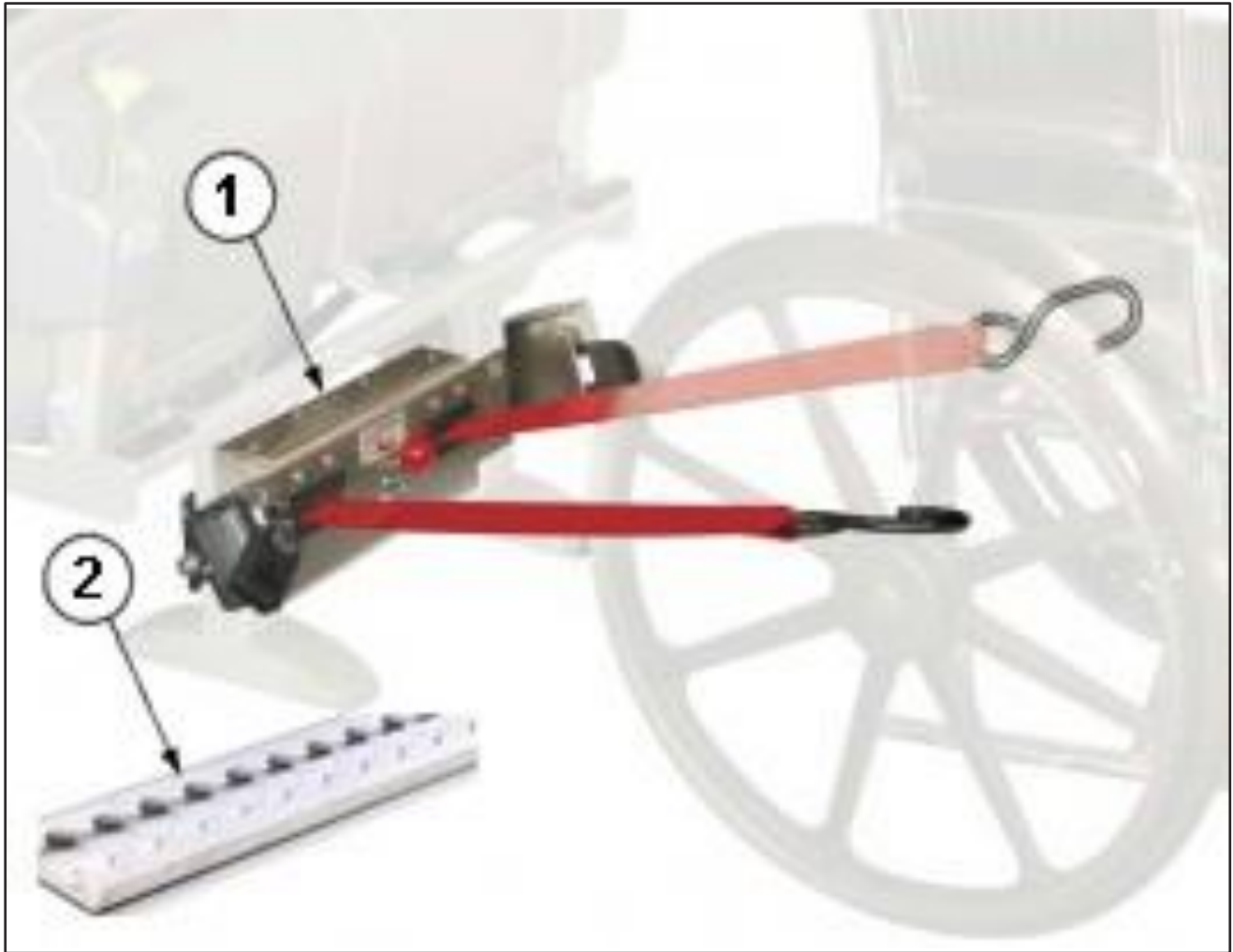
I-track full length of bus cx0000060047

<i>ITEM PART NO. DESCRIPTION</i>	<i>QTY</i>	<i>ITEM PART NO. DESCRIPTION</i>	<i>QTY</i>
1 4570061 Track, Tiedown Alum.-L W/O Flnge	2		
2 7371133 End, Floor Track - Black	AR		
3 7371215 Track, Tiedown Alum.-L W/Flange	5		
NS 0348250 Steel, Flat 11GA x 3 x 10'	10		



aluminum Tiedown Track w/o flange
cX0000061056

<i>ITEM PART NO. DESCRIPTION</i>	<i>QTY</i>	<i>ITEM PART NO. DESCRIPTION</i>	<i>QTY</i>
1 4570061 Track, Tiedown Alum WO Flange	AR		
2 7371133 End, Floor Track - Black	AR		



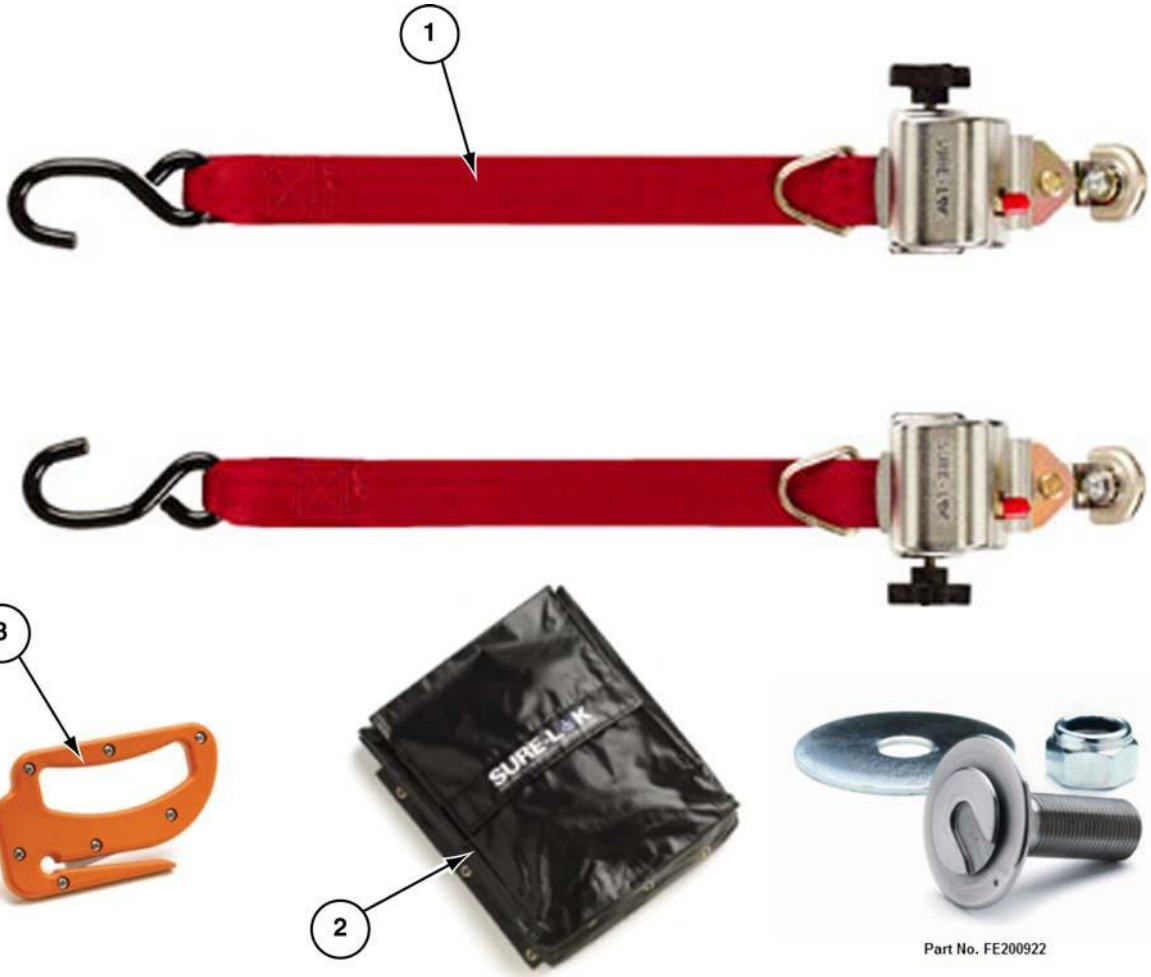
TIEDOWN KIT - DUAL AUTOLOCK S/S 0418448

<i>ITEM PART NO. DESCRIPTION</i>	<i>QTY</i>	<i>ITEM PART NO. DESCRIPTION</i>	<i>QTY</i>
1 7371680 Kit, Tiedown Dual Autolock Street Side	1		
2 4570061 Track, Tiedown Aluminum-L W/O Flange	1		



SOLO TITAN NON-RETRACT TIEDOWNS 0419484

<u>ITEM</u>	<u>PART NO.</u>	<u>DESCRIPTION</u>	<u>QTY</u>	<u>ITEM</u>	<u>PART NO.</u>	<u>DESCRIPTION</u>	<u>QTY</u>
1	7371693	Kit, Tiedown Solo Titan	1				
2	7371487	Belt, Shoulder Kinedyne 82"	1				
03	7371626	Belt, Lap 96"	1				
04	4570061	Track, Tiedown Alum-L W/O Flange	AR				
NS	0374644	Steel, Flat 11GA 4" x 120"	1				



WHEELCHAIR TIEDOWN 0414433

<i>ITEM PART NO. DESCRIPTION</i>	<i>QTY</i>	<i>ITEM PART NO. DESCRIPTION</i>	<i>QTY</i>
1 7371588 TIEDOWN, RETRACTOR (FF661S-4C)	1		
2 7371347 POUCH, TIEDOWN	1		
03 7371405 CUTTER, BEL	1		



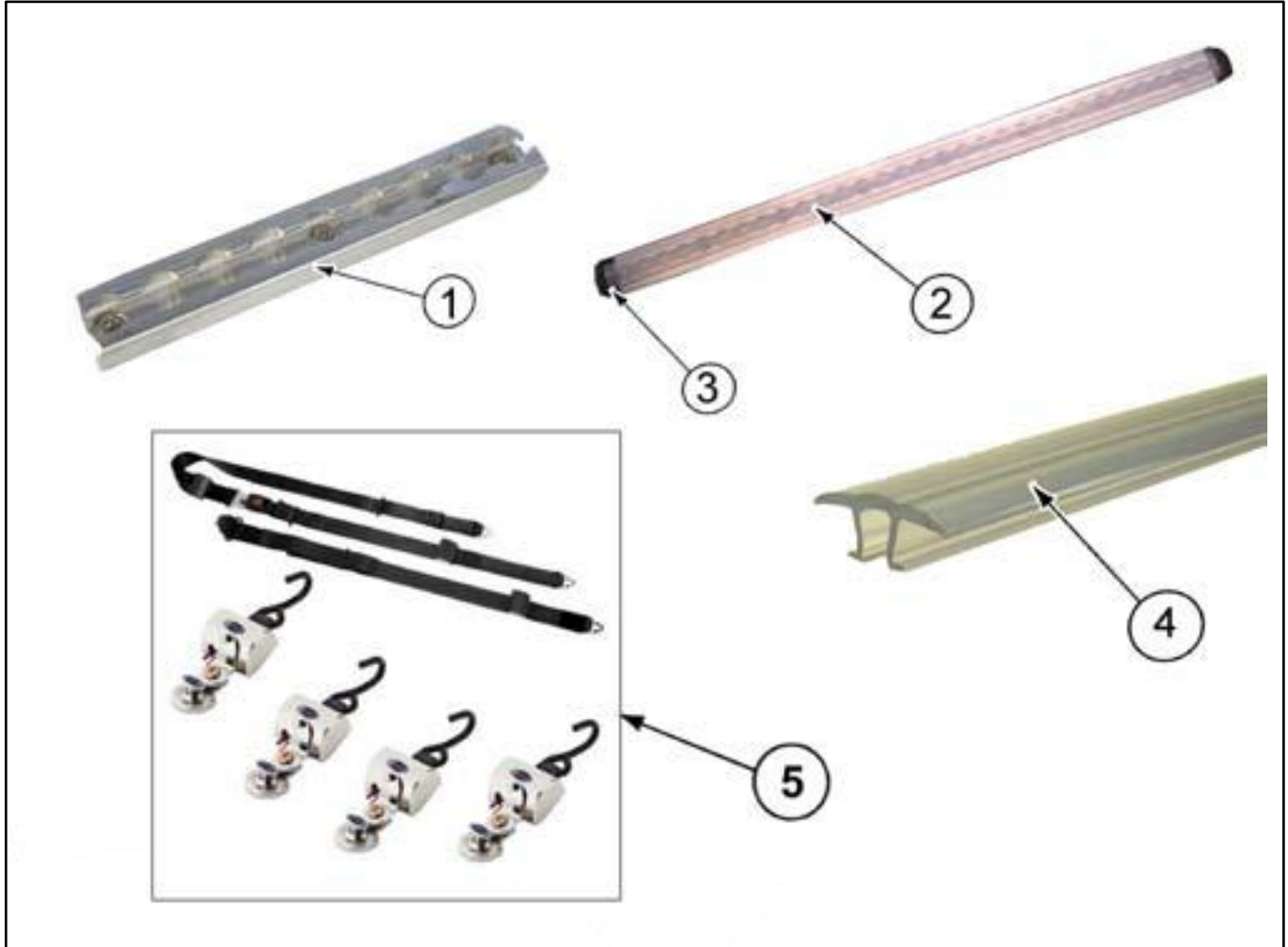
q-STrAiNT, TiEdOwN SLidE N CLiCk
0414044

<i>ITEM PART NO. DESCRIPTION</i>	<i>QTY</i>	<i>ITEM PART NO. DESCRIPTION</i>	<i>QTY</i>
1 7371562 Q-Straint Tiedown FDOT 05	1		
2 4570061 Track, Tiedown Aluminum-L w/o Flange	1		
3 7371347 Pouch, Q-Straint Tiedown Black Vinyl	1		
4 CX-000-900-0613 Seat Belt Web Cutter	1		



INSTALL Q'-STRAINT SLIDE-N-CLICK RESTRAINTS 0413345

<i>ITEM PART NO. DESCRIPTION</i>	<i>QTY</i>	<i>ITEM PART NO. DESCRIPTION</i>	<i>QTY</i>
1 7371555 RESTRAINT, Q'-STRAINT SLIDE-N-CLICK	1		
2 7371347 POUCH, Q'-STRAINT TIEDOWN BLACK VINYL	1		
3 7371405 CUTTER, TIEDOWN BELT	1		



q-strait tiedown max, non-ret 0416520

ITEM	PART NO.	DESCRIPTION	QTY	ITEM	PART NO.	DESCRIPTION	QTY
1	7371215	Tiedown Aluminum-L W/ Flange	A/R				
2	4570061	Tiedown Aluminum-L W/O Flange	A/R				
3	7371133	End, Floor Track	A/R				
4	3370046	Insert Clear Seat Track	A/R				
5	7371631	Tiedown, Q-Straint Nonret	A/R				
NS	0374644	Steel, Flat 11GA 4"x120"	A/R				



**Q-Straint non-retractable tiedowns
cX0000062006**

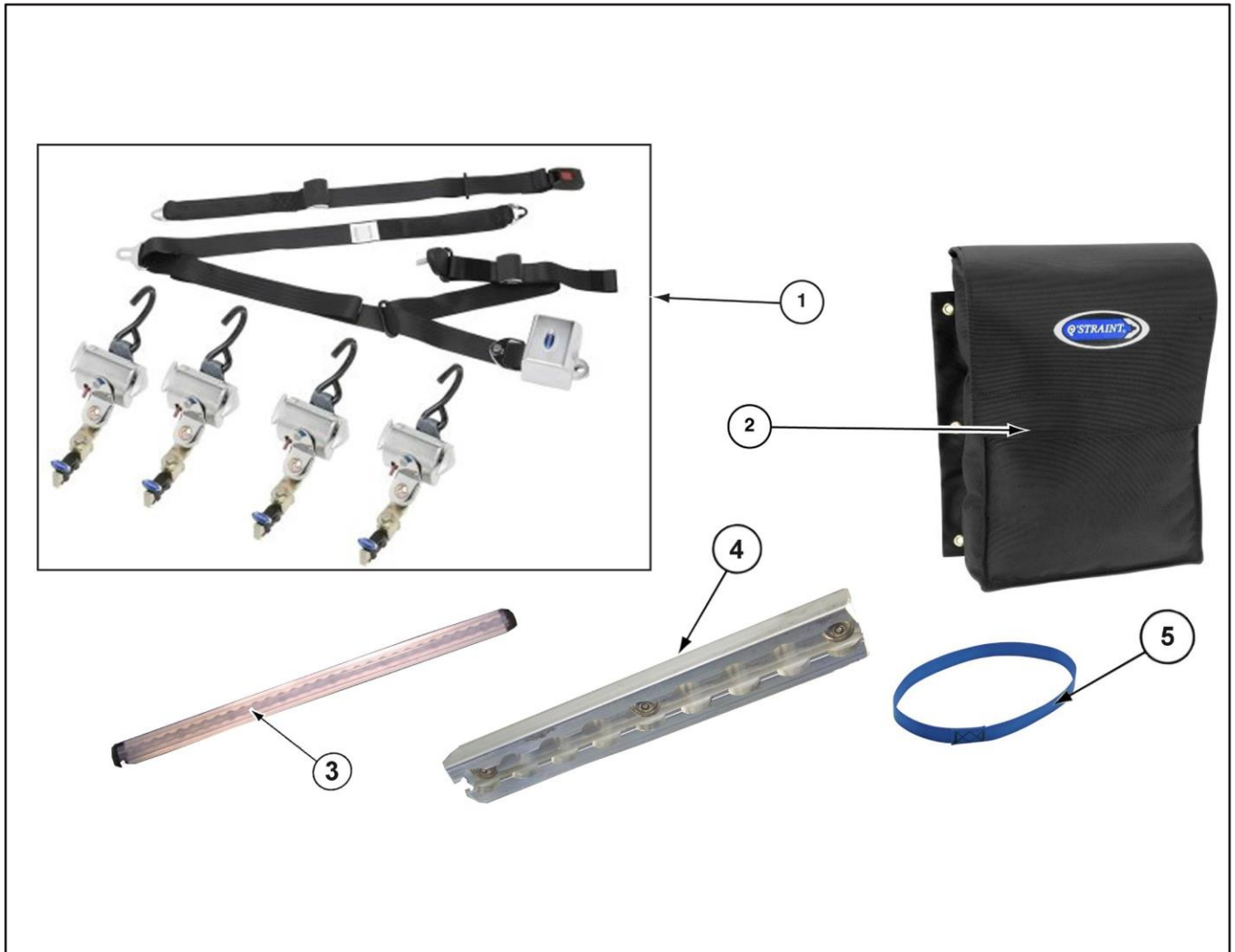
<i>ITEM PART NO. DESCRIPTION</i>	<i>QTY</i>	<i>ITEM PART NO. DESCRIPTION</i>	<i>QTY</i>
01 7371579 Q-Straint, Kit Q-8100-AF-L	1		
02 4570061 Track, Tiedown Alum-L W/O Flange	AR		
NS 3370046 Insert, Clear Seat Track X 96.0	1		
NS 7371133 End, Floor Track - Silver Plastic	8		
NS 7371215 Track, Tiedown Alum-L W/Flange	AR		



Q-STRAINT TIEDOWN MAX RETRACTABLE

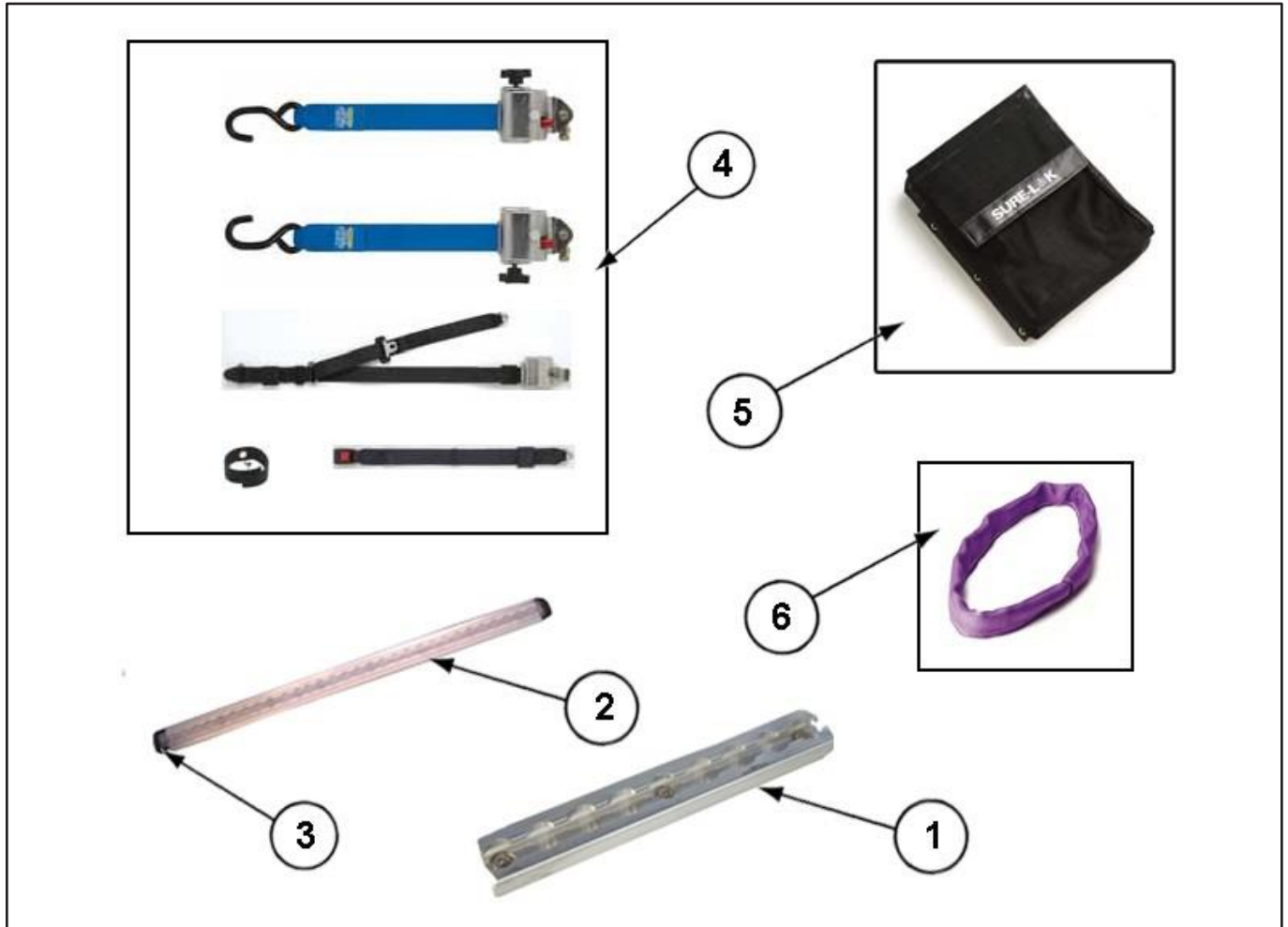
0416519 / 0417157

<i>ITEM PART NO. DESCRIPTION</i>	<i>QTY</i>	<i>ITEM PART NO. DESCRIPTION</i>	<i>QTY</i>
01 7371630 TIEDOWN, Q-STRAINT RETRACTABLE	1		
NA 7371215 TRACK, TIEDOWN ALUMINUM-L W/Flange	AR		
NA 3370046 INSERT, CLEAR SEAT TRACK x 93.0	1		
NA 7371133 END, FLOOR TRACK - BLACK PLASTIC	8		
NA 4570061 TRACK, TIEDOWN ALUM-L W/O FLANGE	AR		



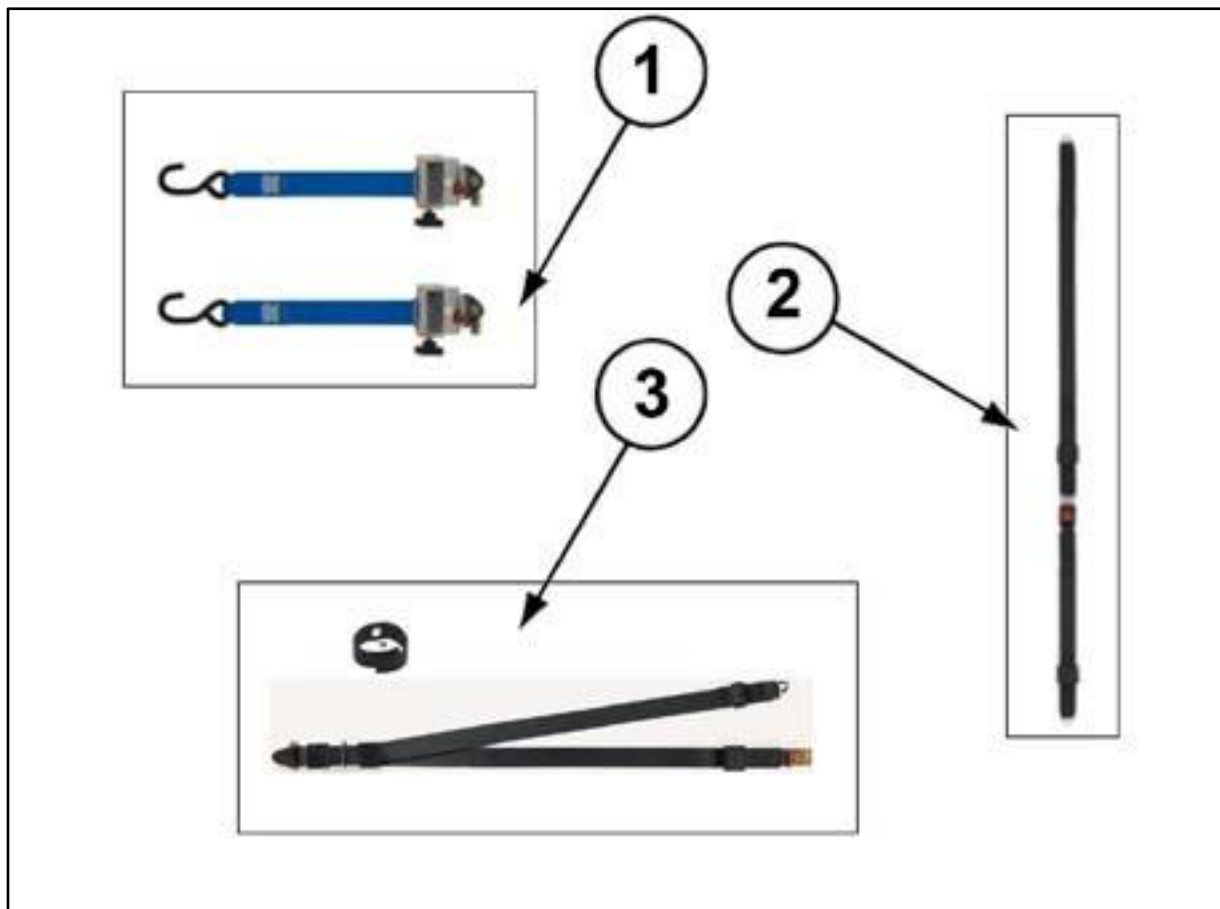
q-strait tiedown package
cx0000060012 / 7371451

<i>ITEM PART NO. DESCRIPTION</i>	<i>QTY</i>	<i>ITEM PART NO. DESCRIPTION</i>	<i>QTY</i>
1 7371451 Q-Strait, Kit Q-8120-A1 CBI 3.1 Retr	2		
2 7371347 Pouch, Q-Strait Tiedown - Vinyl	2		
3 7371215 Track, Tiedown Alum LW/Flange 120"	3		
4 4570061 Track, Tiedown Alum I W/O Flange 100"2			
5 7371533 Loop, Webbing Q-Strait	8		
NS 3370046 Insert, Clear Seat Track x 96"	AR		
NS 7371133 End, Floor Track - Silver Plastic	AR		



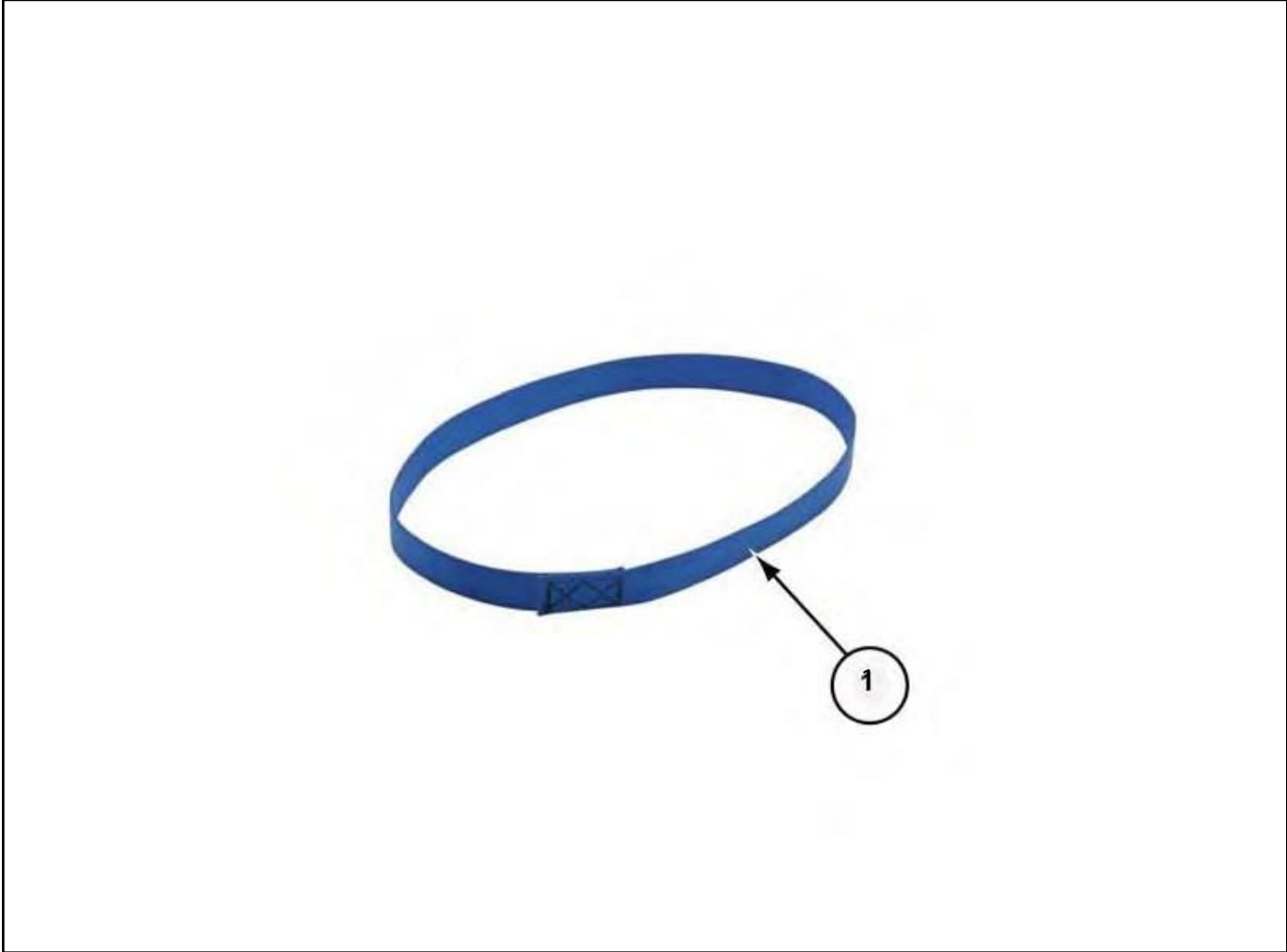
Sure-lok tiedown, titan (Pdot) 0415616

<i>ITEM PART NO. DESCRIPTION</i>	<i>QTY</i>	<i>ITEM PART NO. DESCRIPTION</i>	<i>QTY</i>
1 7371215 Track, Aluminum- LW/Flange	2		
2 4570061 Track, Aluminum-L WO Flange	1		
3 7371133 End, Floor Track - Black Plastic	2		
4 7371603P Tiedown, Sure-Lok Titan	2		
5 7371612 Container, Storage Mesh Sure-Lok	2		
6 7371611 Strap, Quick Sure-Lok 16"	8		
NS 0374644 Steel, Flat 11GA 4"x 120"	A/R		



TIEDOWNS, NONRETRACTABLE 0416513

ITEM	PART NO.	DESCRIPTION	QTY	ITEM	PART NO.	DESCRIPTION	QTY
1	7371627	TIEDOWN, RETRACTOR	1				
2	7371626	BELT, LAP 96" SURE-LOK	1				
3	7371629	BELT, SHOULDER NON-RETRACT	1				
NS	7371660	KIT, HARDWARE ADJ SHOULDER	2				
NS	7371604	KIT, MOUNT SERIES L FE-200747	1				



WEBBING LOOPS
0415014

<i>ITEM PART NO. DESCRIPTION</i>	<i>QTY</i>	<i>ITEM PART NO. DESCRIPTION</i>	<i>QTY</i>
01 7371533 Loop, Webbing Q'-Straint	4		



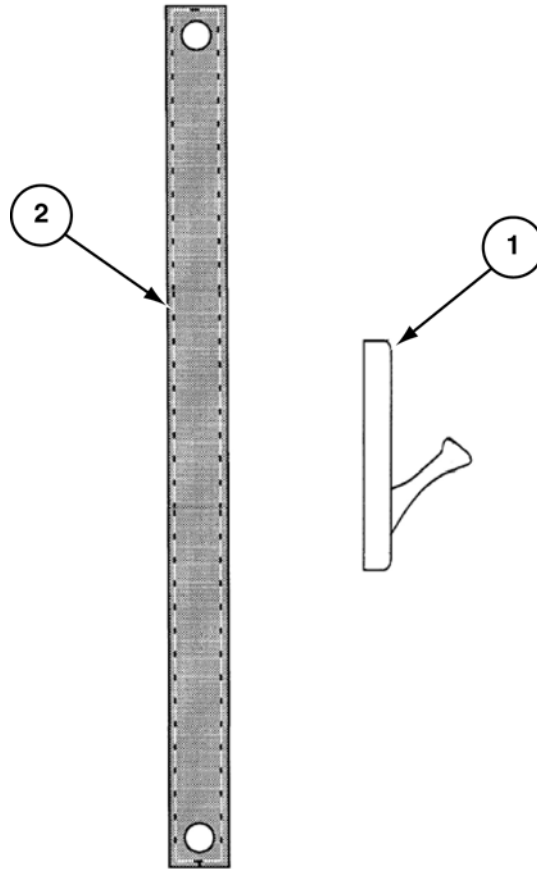
TIEDOWN STORAGE POUCH
0415623-7371347 / CX0000060025

<i>ITEM PART NO. DESCRIPTION</i>	<i>QTY</i>	<i>ITEM PART NO. DESCRIPTION</i>	<i>QTY</i>
00 7371347 POUCH,Q-STRAINTTIEDOWN-VINYL	2		



TIEDOWN STORAGE POUCH-GRAY
CX0000060026

<i>ITEM PART NO.</i>	<i>DESCRIPTION</i>	<i>QTY</i>	<i>ITEM PART NO.</i>	<i>DESCRIPTION</i>	<i>QTY</i>
01	7371357 Pouch, Kinedyne Tiedown Gray Vinyl	1			
	NOTE: Picture is of Black Vinyl				



INSTALL DRIVER'S COAT HOOK

CX-000-900-3163S / CX0000083163

<i>ITEM</i>	<i>PARTNO.</i>	<i>DESCRIPTION</i>	<i>QTY</i>	<i>ITEM</i>	<i>PARTNO.</i>	<i>DESCRIPTION</i>	<i>QTY</i>
01	4941647	HOOK,GARMET	1				
02	7371086	STRAP,HCLDBACK[20"]	1				
N/S	8570714	SCREW [8x 1-1/4] PHIL SEMST2 POLAR	2				



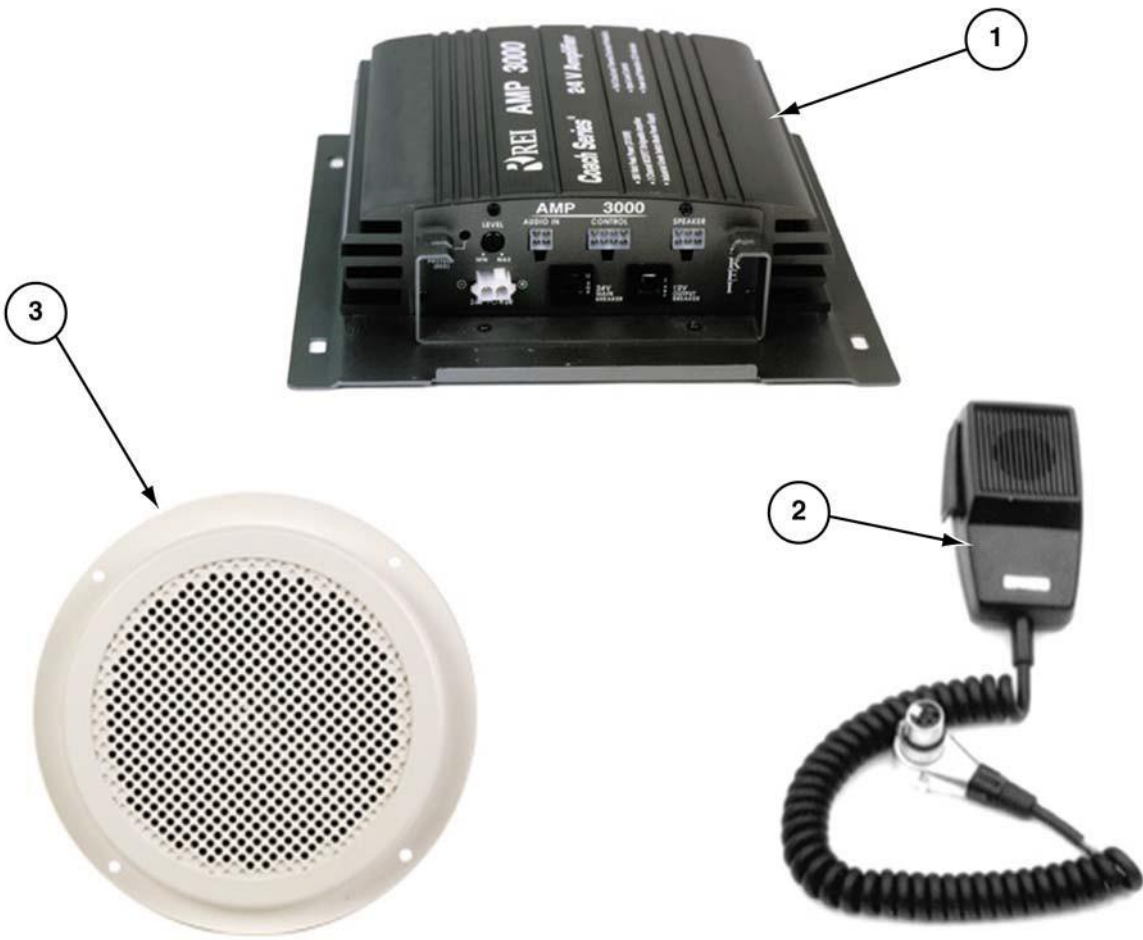
2-WAY SHALLOW MOUNT SPEAKERS
CX0000023280

<u>ITEM PART NO.</u>	<u>DESCRIPTION</u>	<u>QTY</u>	<u>ITEM PART NO.</u>	<u>DESCRIPTION</u>	<u>QTY</u>
01	3973839 Speaker, 5" 2-Way w Grill Shallow	1			



RADIO, t w O w a y p R e p
CH0000022998, 0403063, CH-000-900-2998

<i>ITEM PART NO. DESCRIPTION</i>	<i>QTY</i>	<i>ITEM PART NO. DESCRIPTION</i>	<i>QTY</i>
0403063 INSTALL, ACCESS PORT		CH000022998 TWO WAY RADIO PREP CH/CR	
01 3342144 Port, Access 5.0	1	NS 0342428 Steel, Flat 14GA/16GA x 6 x 96	AR
NS 8570739 Screw, 8 x 384 Pan Black	6	NS 3971058 Conduit, 3/4" Flex Aluminum 50'	17
		NS 3971354 Wire, 10GA GXL Red	27
		NS 3971309 Wire, 10GA GXL White	12
		NS 3971611 Terminal, Heat Shrink Ring 12-10 #10	1
		NS 3941127 Loom, 1/2" Split Plastic	12



PAGE SYSTEM W/2 SPEAKERS
0414526

<i>ITEM PART NO.</i>	<i>DESCRIPTION</i>	<i>QTY</i>	<i>ITEM PART NO.</i>	<i>DESCRIPTION</i>	<i>QTY</i>
1	3973706 AMPLIFIER, TRANSIT STANDARD	1			
2	3973705 MICROPHONE, PUSH-TO-TALK	1			
3	3973502 SPEAKER, TRANSIT STANDARD	2			
N/S	3973707 CLIP, MICROPHONE	1			

Picture Pending

Radio am/fm/dvd/gps 0417097

<u>ITEM</u>	<u>PART NO.</u>	<u>DESCRIPTION</u>	<u>QTY</u>	<u>ITEM</u>	<u>PART NO.</u>	<u>DESCRIPTION</u>	<u>QTY</u>
01	3974560	Radio, AM/FM/DVD/GPS	1				



ROSCO DUAL VISION CAMERA SYSTEM CX000003292

<i>ITEM PART NO. DESCRIPTION</i>	<i>QTY</i>	<i>ITEM PART NO. DESCRIPTION</i>	<i>QTY</i>
01 3975389 Camera, System Rosco Dual Vision	1		
<p>NOTE: Kit contains Dual Vision standard module W/IR, 8GB Memory Card, Security Enclosure, 1-Camera Video System Kit, 7" Color Back-lit LCD Monitor, Rear Mounted Htd Camera W/H- Output LED's & Audio, 65' Harness W/Twist Lock Connectors, (Sony 1/3" CCD), 2 Camera Max Input, 2 Year Warranty.</p>			



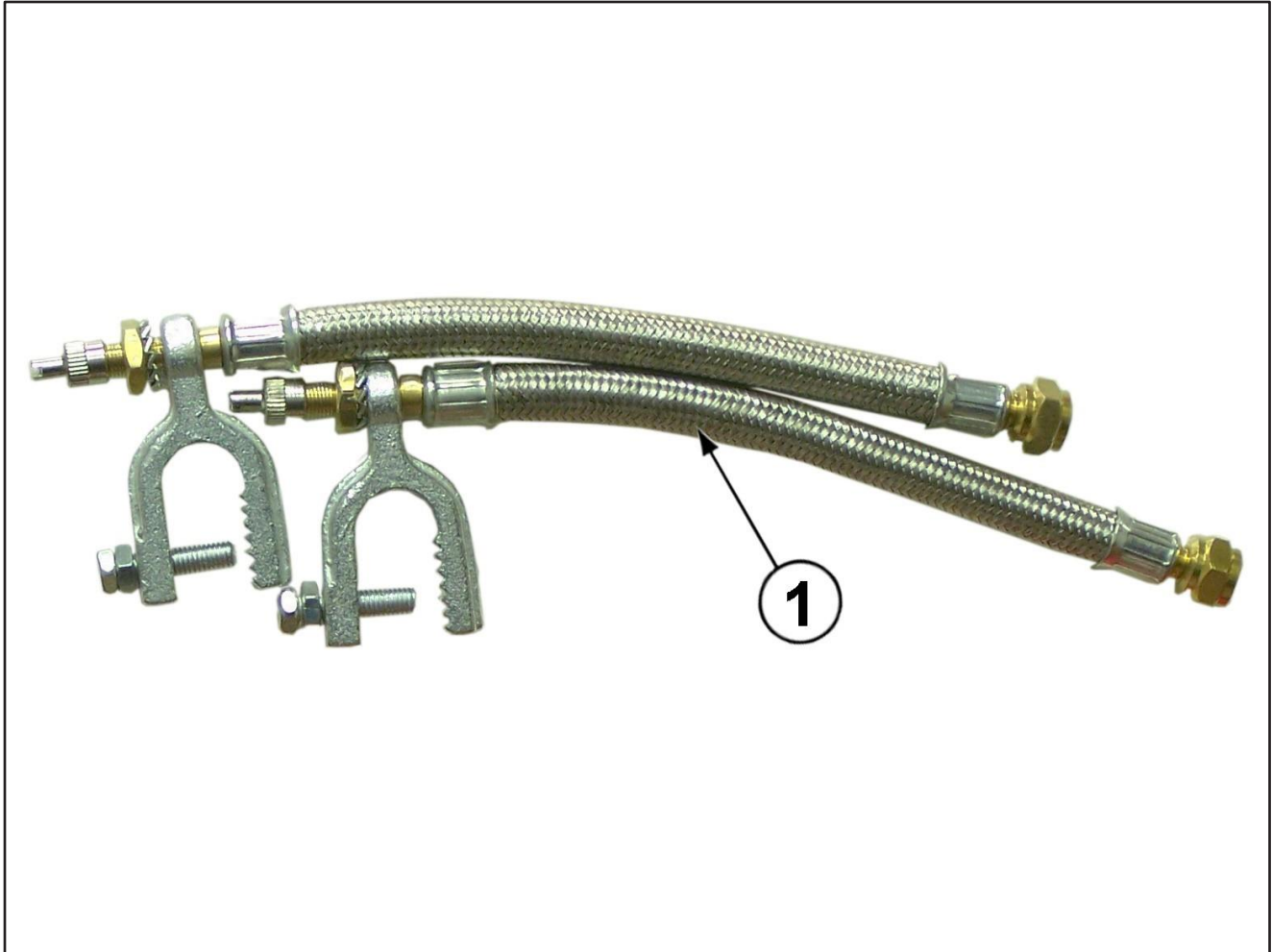
camera system w/dvr & 4 bw cameras 0420748

<i>ITEM PART NO. DESCRIPTION</i>	<i>QTY</i>	<i>ITEM PART NO. DESCRIPTION</i>	<i>QTY</i>
3975702 Kit, Camera 4 W/DVR BW 320G HDD			
01 3975626 DVR, HD400 4-Channel	1	3 3975413 Cover, Camera, Illuminator Dome	4
02 3975021 Camera, Dome HR 4MM Mic.	3	4 3974135 Harness, Event Marker 20'	1
3975412 Camera, Dome HR 8MM Mic.	1	5 3975701 Bracket, Extension 5", Dome Camera	1
NS 3975013 Cable, BW Camera 40'	1	NS 3975024 Sensor, Inertia 10G	1
NS 3975012 Cable, BW Camera 15'	1	NS 3975023 HDD Module, 320GB SATA, HD Series	1
NS 3975137 Cable, BW Camera 25'	2		
NS 3975670 Cable, Exterior Camera Adapter BW	2		
NS 3975023 HDD Module, 320GB, HD Series	1		
NS N/A CD, REI VMS & Documentation	1		



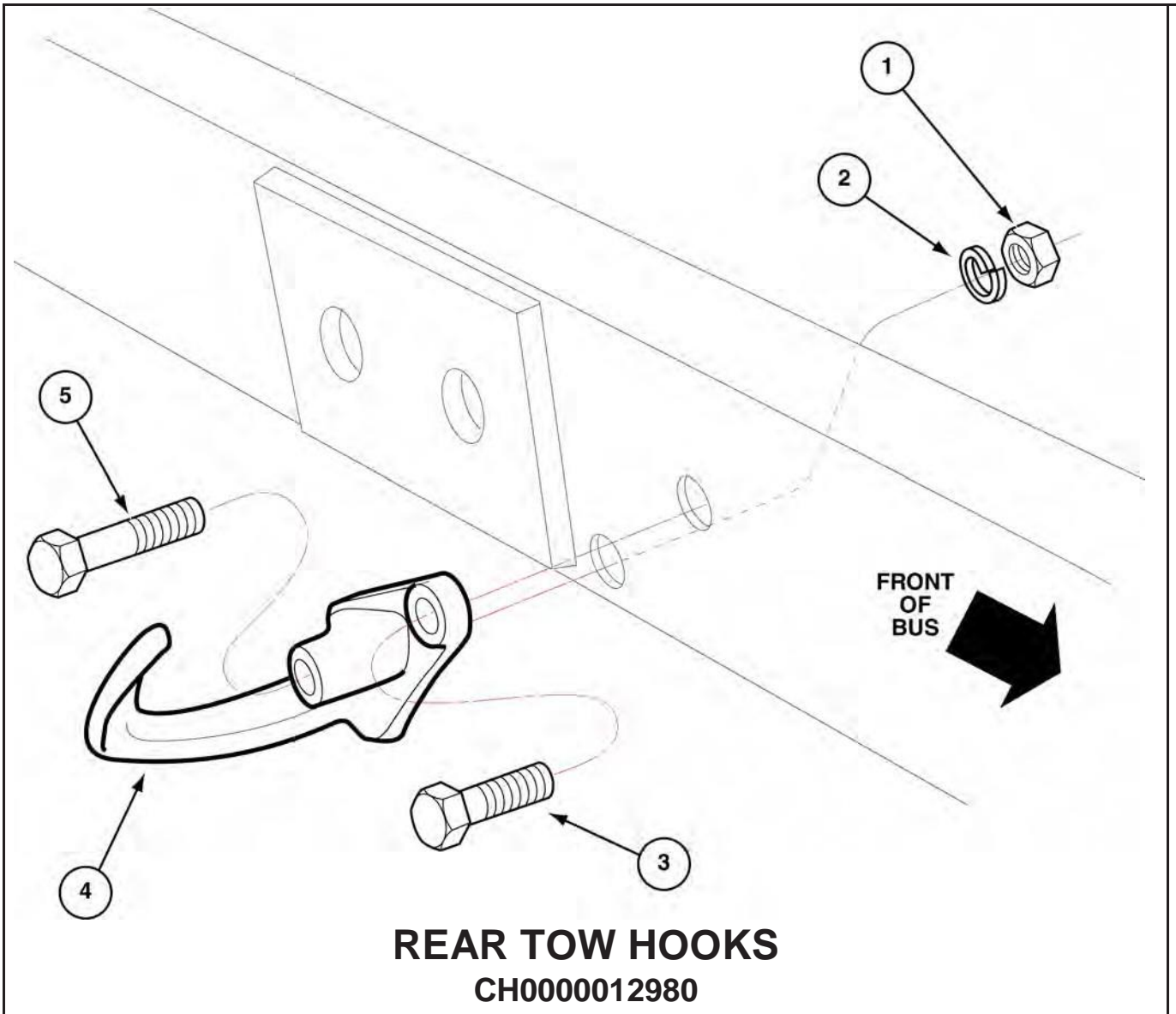
INSTALL SPARE TIRE (LOOSE) Ford CH-000-900-2011L

<i>ITEM PARTNO. DESCRIPTION</i>	<i>QTY</i>	<i>ITEM PARTNO. DESCRIPTION</i>	<i>QTY</i>
N/S 0541755 VALVE,TIREBRASS	1		
01 0570010 WHEEL,FORD199228618	1		
02 0570160 TIRE,LT22575R16LTXMICHELIN 25	1		



valve stem extension 0413016

<i>ITEM PART NO. DESCRIPTION</i>	<i>QTY</i>	<i>ITEM PART NO. DESCRIPTION</i>	<i>QTY</i>
01 0570170 Extension, Valve Stem Dual S/S	1		
0570137 Extension, Valve Stem	2		

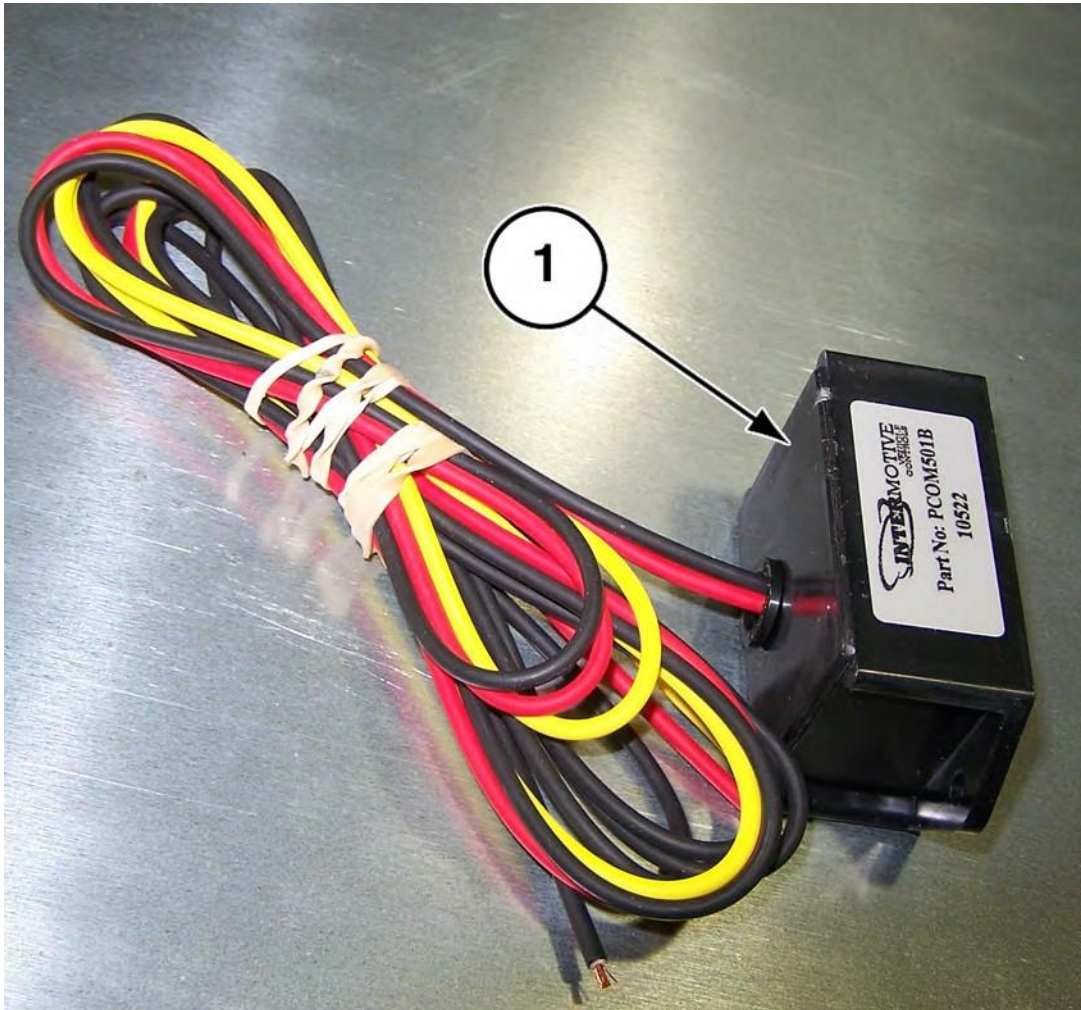


<i>ITEM</i>	<i>PART NO.</i>	<i>DESCRIPTION</i>	<i>QTY</i>	<i>ITEM</i>	<i>PART NO.</i>	<i>DESCRIPTION</i>	<i>QTY</i>
01	8543399	NUT, HEX (5/8-11 GRD 8 USS PLATED)	4				
02	8543407	LOCKWASHER (5/8 HIGH ALLOY)	4				
03	8543381	BOLT, HEX (5/8 x 2-1/2 GRD 8 PLATED)	2				
4	0140061	HOOK, TOW (FINISHED)	1				
5	8543485	BOLT, HEX (5/8 x 3 USS PLATED)	2				

PICTURE NOT AVAILABLE AT THIS TIME

**digital thermometer, indoor/outdoor
0415923**

<u>ITEM PART NO.</u>	<u>DESCRIPTION</u>	<u>QTY</u>	<u>ITEM PART NO.</u>	<u>DESCRIPTION</u>	<u>QTY</u>
01	1771375	Thermometer, Digital Ind/Outdoor	1		



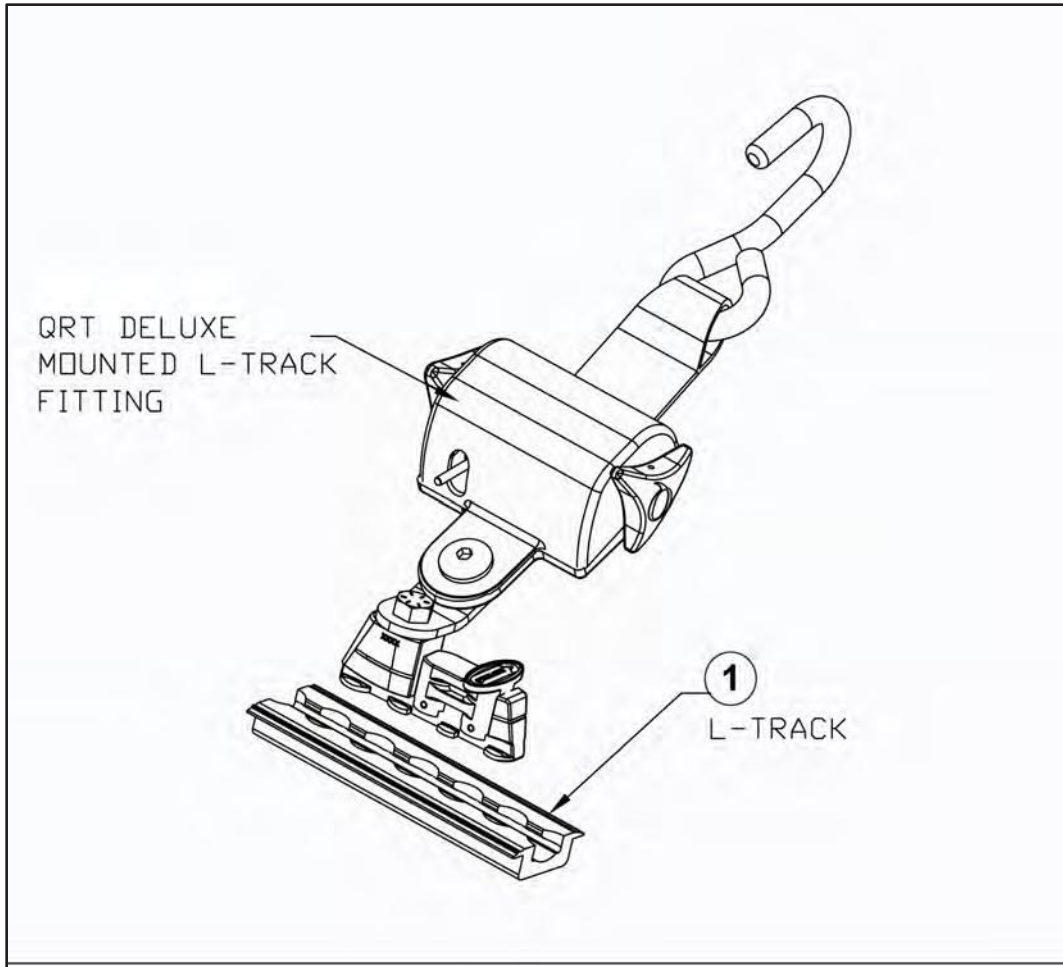
**Module park crank ford
0412989**

<u>ITEM</u>	<u>PART NO.</u>	<u>DESCRIPTION</u>	<u>QTY</u>	<u>ITEM</u>	<u>PART NO.</u>	<u>DESCRIPTION</u>	<u>QTY</u>
01	3973224	Module, Park Crank Only 2005	1				



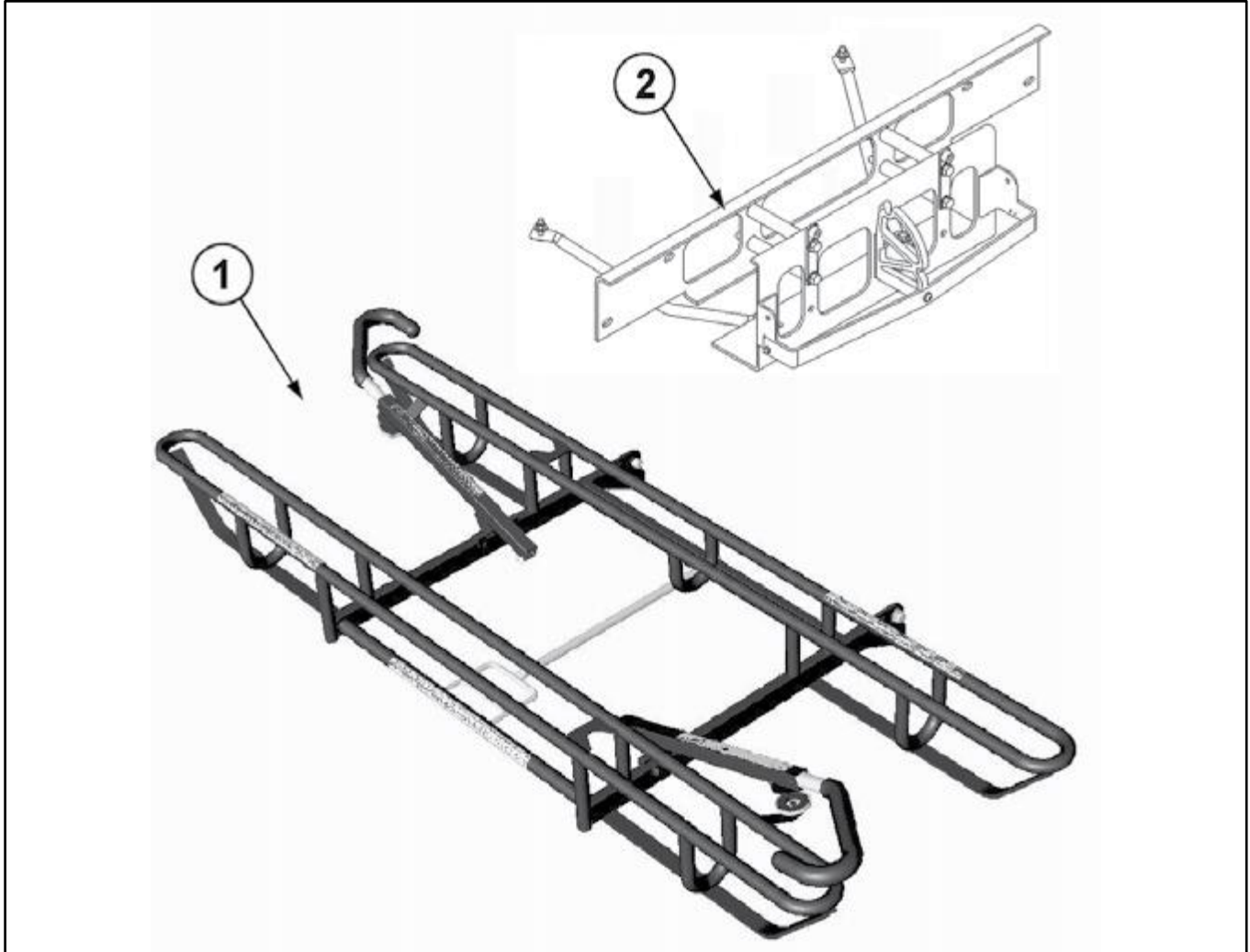
**duratrans shifter module
0410016**

<i>ITEM</i>	<i>PART NO.</i>	<i>DESCRIPTION</i>	<i>QTY</i>	<i>ITEM</i>	<i>PART NO.</i>	<i>DESCRIPTION</i>	<i>QTY</i>
01	6170546	INTERLOCK, ILIS FORD '08 W/DURATRANS	1				



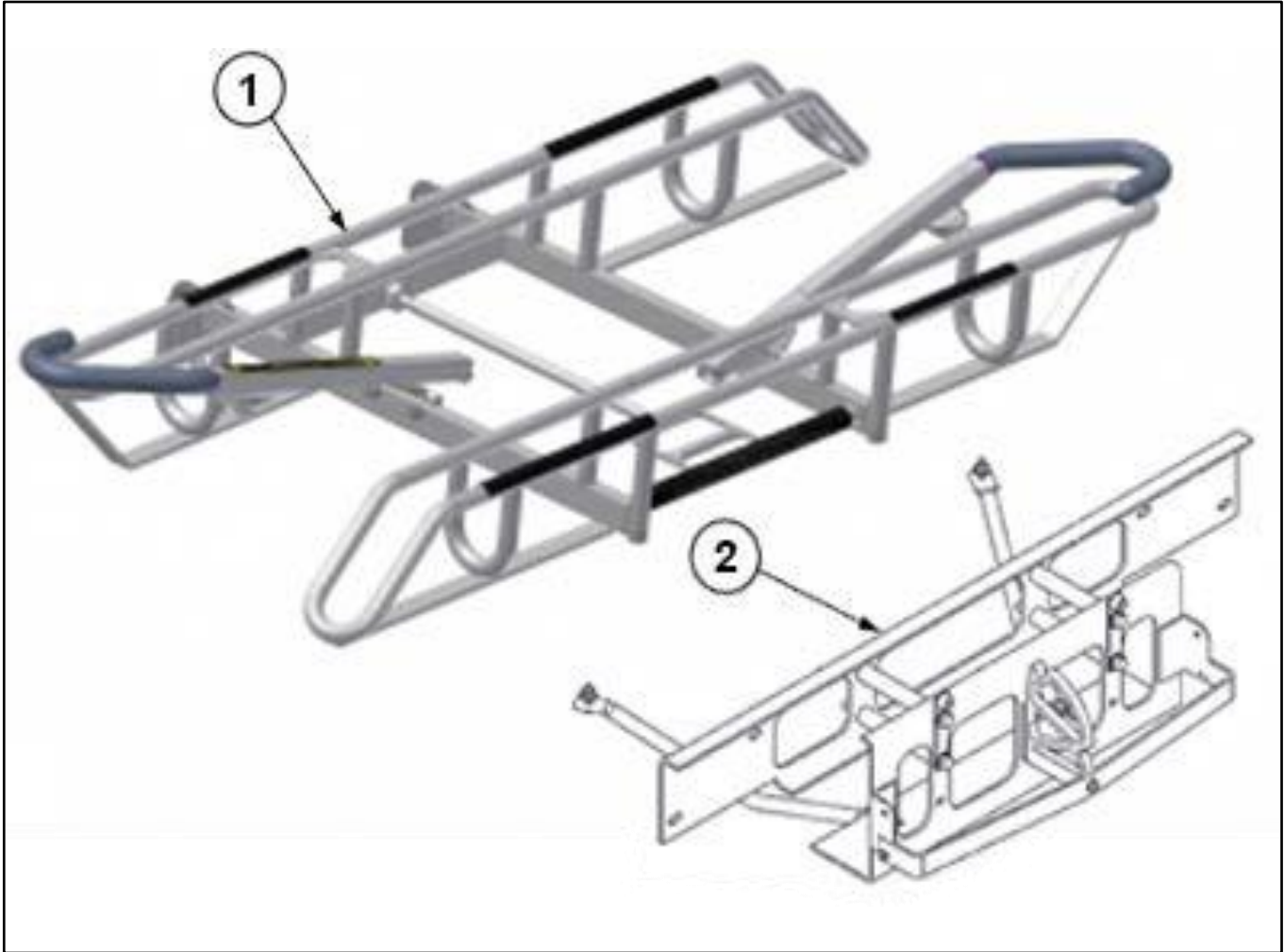
L-TRACK FRONT TO BACK CX0000061057

<u>ITEM PART NO.</u>	<u>DESCRIPTION</u>	<u>QTY</u>	<u>ITEM PART NO.</u>	<u>DESCRIPTION</u>	<u>QTY</u>
01 7371215	TRACK, TIEDOWN ALUM-L W/FLANGE	A/R			
N/S 4570061	TRACK, TIEDOWN ALUM-L W/O FLANGE	A/R			



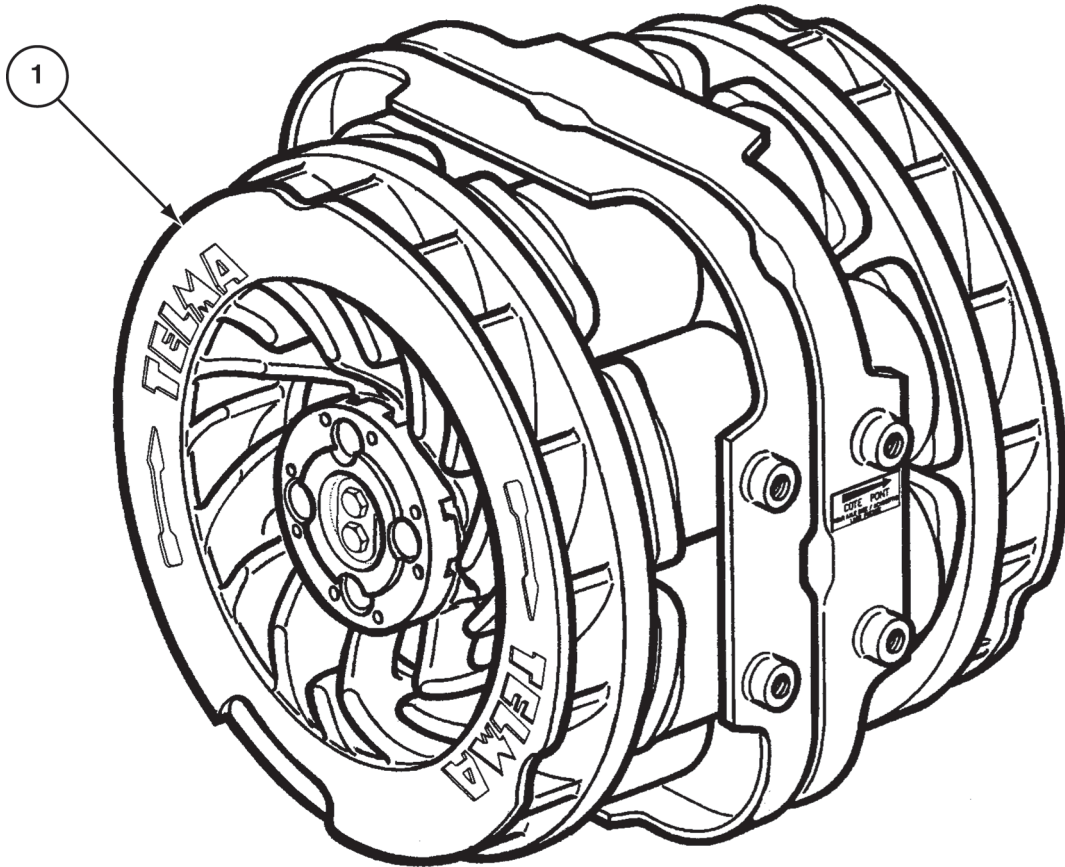
bike rack dl2 0403781

<i>ITEM PART NO. DESCRIPTION</i>	<i>QTY</i>	<i>ITEM PART NO. DESCRIPTION</i>	<i>QTY</i>
01 6570085 Rack, Bike DL2	1		
02 6570161 Plate, Ford 08 E450 Vented Mtg Assy	1		
NS 6570160 Kit, Bolt Ford 08 E450 Vented Bracket	1		



SPORTWORKS BIKE RACK DL2 NP
0422747 / 6170377

<i>ITEM</i>	<i>PART NO.</i>	<i>DESCRIPTION</i>	<i>QTY</i>	<i>ITEM</i>	<i>PART NO.</i>	<i>DESCRIPTION</i>	<i>QTY</i>
1	6170377	Rack, Bike DL2 NP S/S	1				
2	6570161	Plate, Ford 08' E450 Vented Mt. Assy	1				
NS	6570163	Plate, Pivot Ford 2008	1				
NS	6570196	Kit, Bolt Brkt. Ford Romeo Rim Bumper	1				



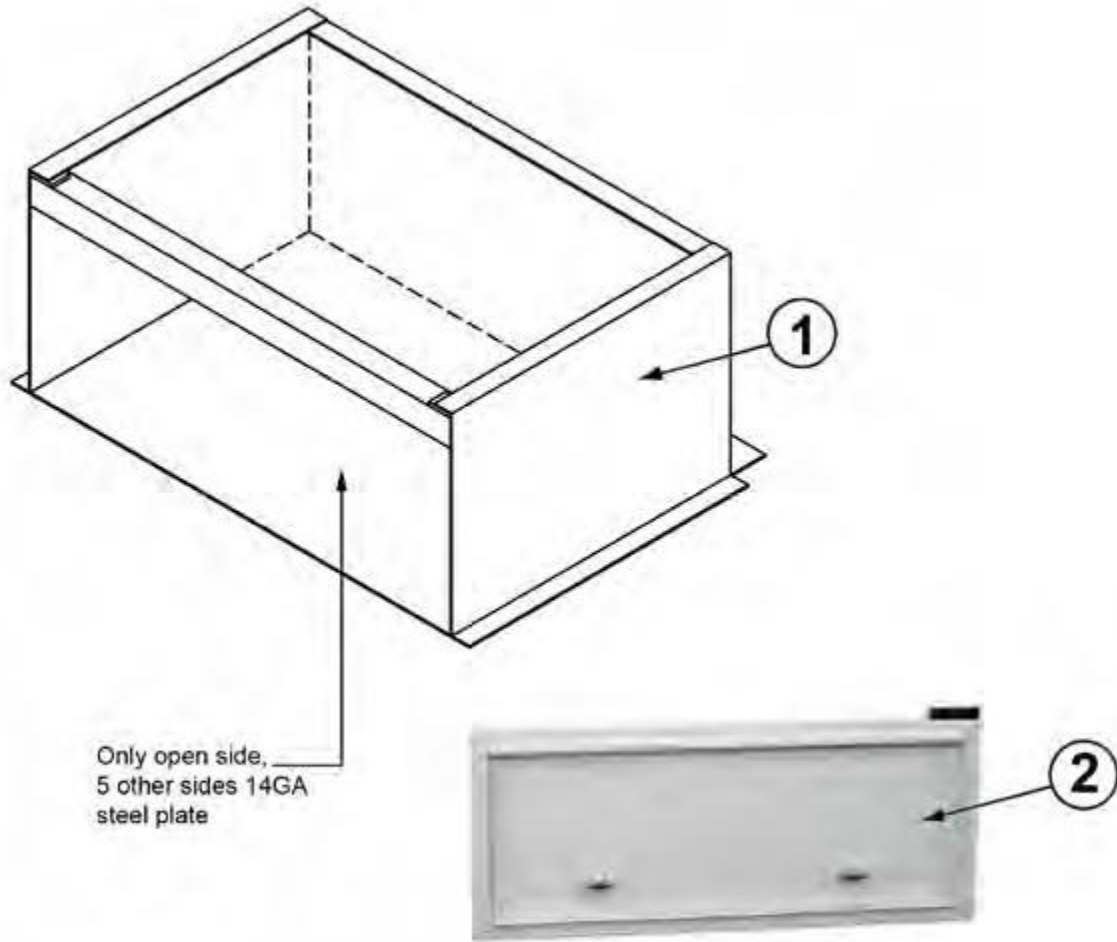
telma brake retarder
CH-230-900-2942

<i>ITEM PART NO. DESCRIPTION</i>	<i>QTY</i>	<i>ITEM PART NO. DESCRIPTION</i>	<i>QTY</i>
01 0170403 Retarder, CC-50	1		
N/S 0171072 Kit, Brake Retarder Ford	1		
N/S 0171087 Shaft, Drive 158" WB Telma W/Flange	1		
N/S 0340992 Tube, 16 GA x 1.5 x 1.5 x 24'	A/R		



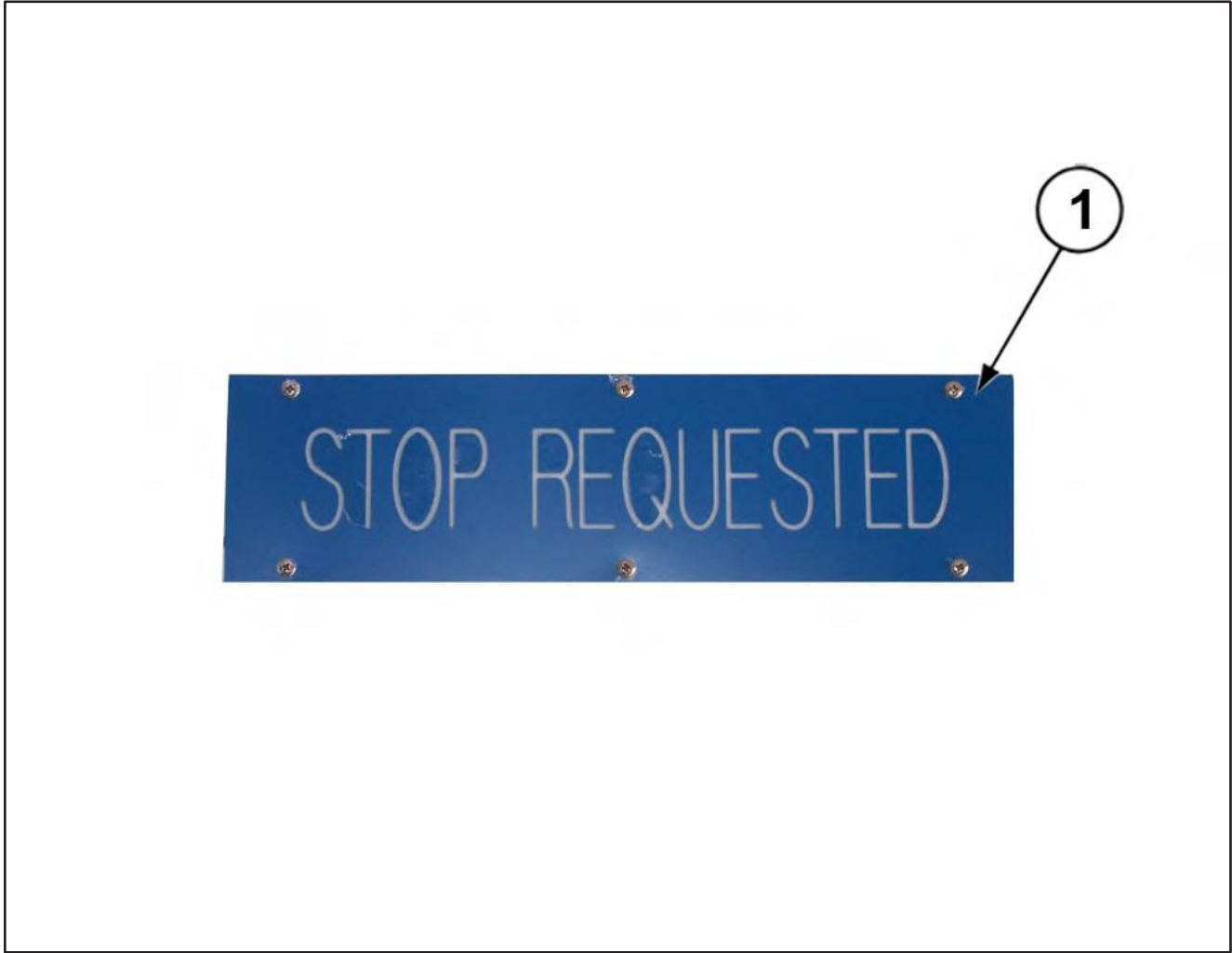
install, chain tire on-spot 2008 0416697

<i>ITEM PART NO. DESCRIPTION</i>	<i>QTY</i>	<i>ITEM PART NO. DESCRIPTION</i>	<i>QTY</i>
1 0570204 Chain, On-Spot Tire 2008 Ford E-450	1		
2 0570205 Bracket, On-Spot Tire Chain Ford	1		
3 0570189 Compressor, Air Pump & Tank	1		



compressor box - tire chains 0418471

ITEM	PART NO.	DESCRIPTION	QTY	ITEM	PART NO.	DESCRIPTION	QTY
1	0376498	BOX, PUMP GRANNING AIR RIDE	1				
2	5370156	DOOR, SQUARE CRNR 9 X 24 W/THUMB	1				
NS	0970048	Plywood, 5/8 x 4 x 8 CC-PTS Untreated	1				



FIXED ROUTE PKG - STOP REQUEST SIGN
PA0000086016 / 0405478B

ITEM	PART NO.	DESCRIPTION	QTY	ITEM	PART NO.	DESCRIPTION	QTY
01	3973209	Sign, Stop Request Whithe W/Blue Letters	1				
NS	3371094	Shroud, Stop Request Hanging					
	1						
NS	0375669	Bracket, Light Passengers Signal	1				
NS	3971415	Bulb, Side Marker #194	4				
NS	3972105	Socket, Single Contact Push-In	4				
NS	8970410	Tape, Foam 3/8 x 1/2	A/R				
NS	3971797	Switch, Drivers Reset	1				



INSTALL STOP REQUEST PUSH BUTTON

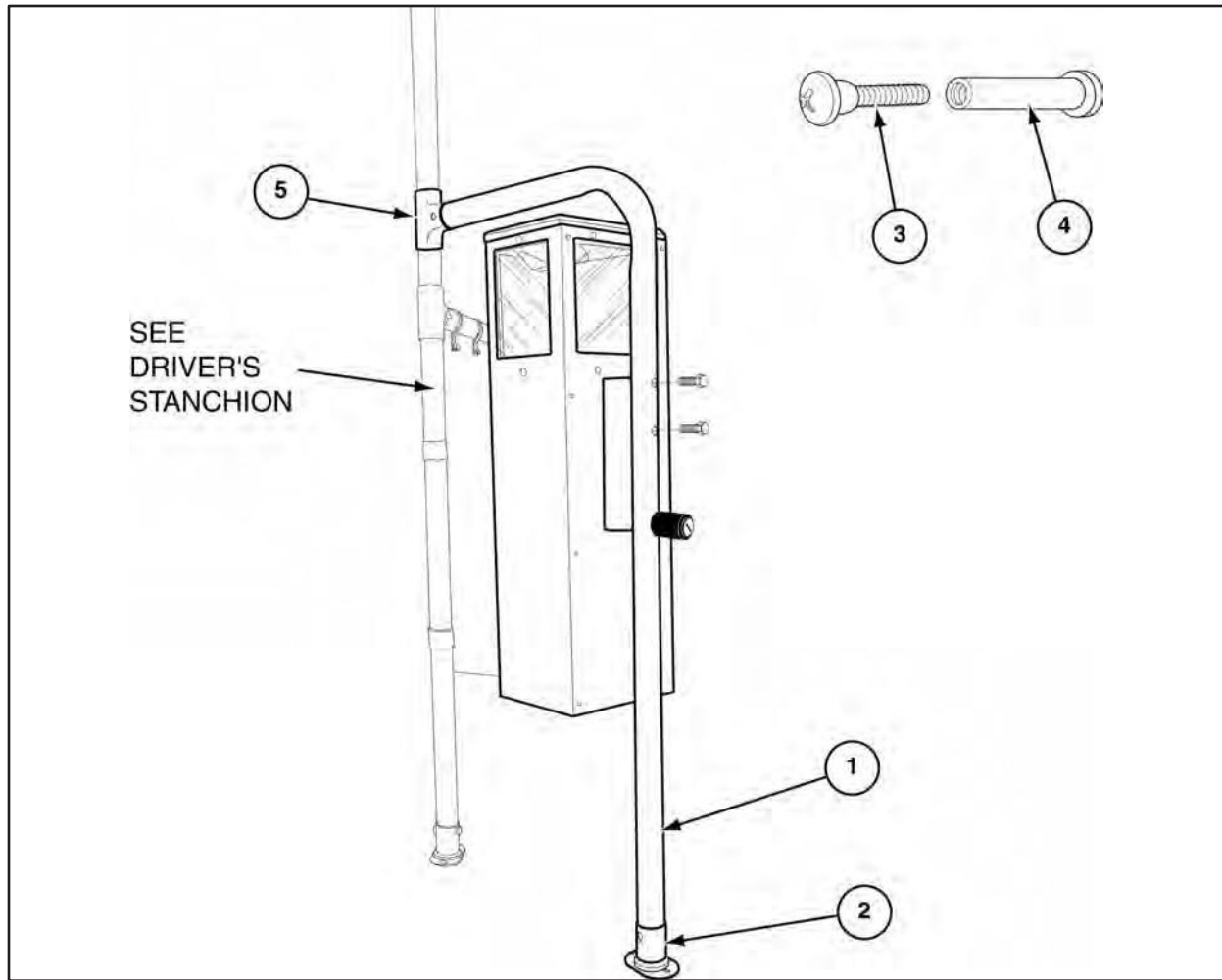
PA0000086016 / 0407645

ITEM	PART NO.	DESCRIPTION	QTY	ITEM	PART NO.	DESCRIPTION	QTY
01	3972467	Push Button, Stop Request	1				



**FIXED ROUTE PKG - RADIO, MICROPHONE, CABLE
PA000086016**

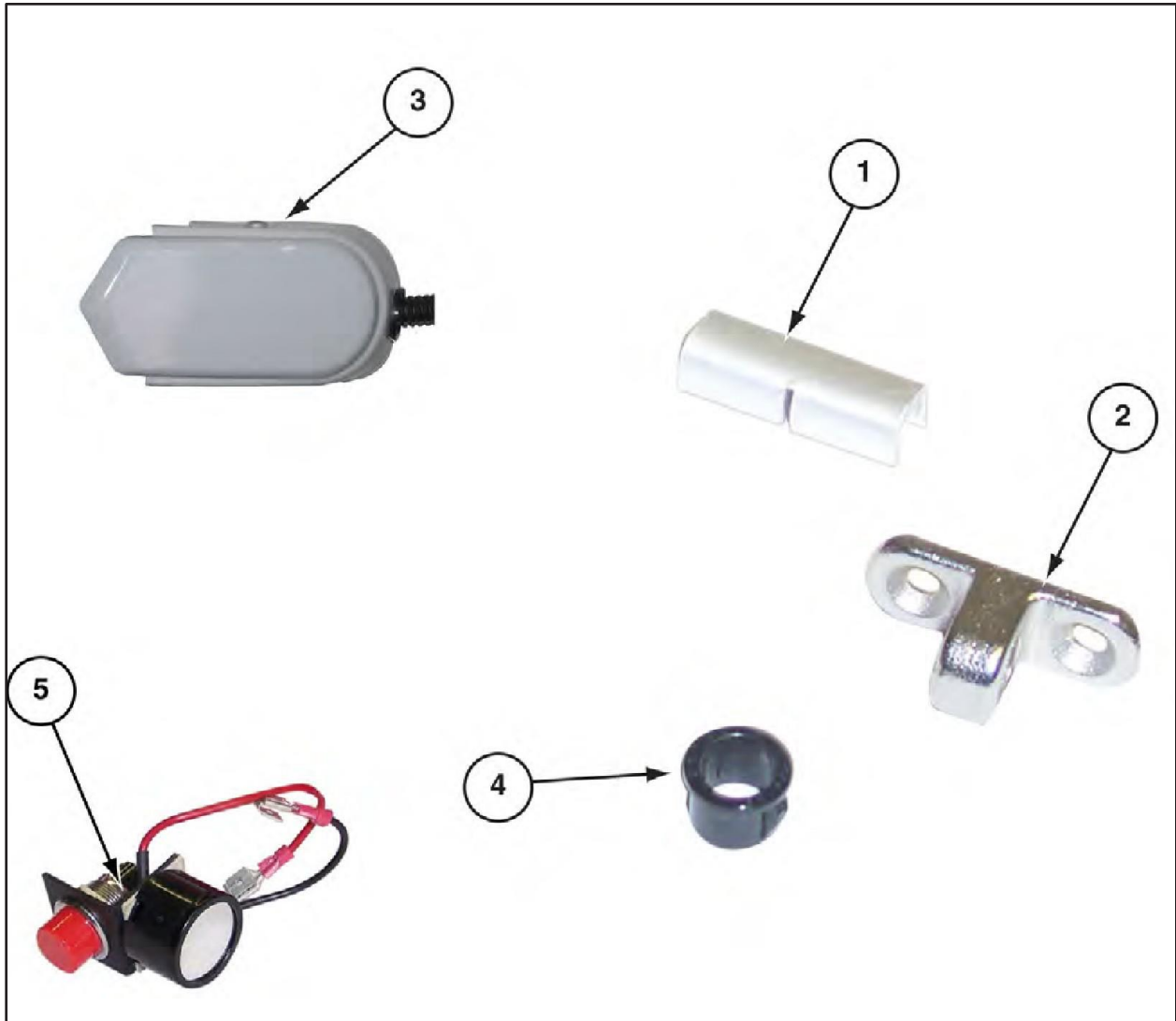
ITEM	PART NO.	DESCRIPTION	QTY	ITEM	PART NO.	DESCRIPTION	QTY
01	3974474	Radio, REI CD/PA 805 PDOT	1				
NS	3973704	Microphone, REI Push To Talk	1				
NS	3973707	Microphone, Clip REI	1				
NS	3974475	Cable, Mic REI PDOT '08	1				



FAREBOX STANCHION

CH-000-900-3134 / CH-000-900-0004

ITEM	PART NO.	DESCRIPTION	QTY	ITEM	PART NO.	DESCRIPTION	QTY
CH-000-900-3134 FAREBOX STANCHION				CH-000-900-0004 FAREBOX PREP			
01	0346494	TUBE (.065 x 1 1/4 x 17") S/S 180 GRID	A/R	N/S	8570779	SCREW, 1- X 1 PAN HEAD S/S	4
2	0348243	FITTING, S/S OVAL BASE	1	N/S	8571066	BOLT, BINDER MALE & FEMALE 1/4	1
3	0346478	BOLT, STANCHION	2	N/S	0346395	FITTING, S/S BOTTOM TL 200	1
4	0346460	NUT, STANCHION	2	N/S	0374008	SUPPORT, GRAB RAIL 4.03 S/S	1
5	0376089	FITTING, S/S OVAL BASE FLANGE	1	N/S	0346494	TUBE, .065 x 1.25 x 17' S/S 180 GRID	A/R
N/S		SCREW, (10 x 1) PAN HEAD S/S	4	N/S	0377992	PLATE, 3/16" x 8.88" x 12.00" HRS	A/R



PASSENGER PULL CORD W/LIGHTED BUZZER

CH-250-900-2822 / PA0000086016

ITEM	PART NO.	DESCRIPTION	QTY	ITEM	PART NO.	DESCRIPTION	QTY
1	4970563	Guide, Pull Chord (Stamped)	11				
2	4970538	Guide, Pull Chord (Cast)	11				
3	3974280	Switch, Pull	2				
04	3971506	Bushing, Snap 1/2"	2				
05	3973085	Buzzer/Light, Stop Request	1				
N/S	4970431	Cable, Pull Chord [3/16" DIA.]	A/R				
N/S	4941654	Connector, Double (3/16)	4				
N/S	3974616	Harness, Pass Stop Request Button	1				
N/S	3971506	Bushing, Snap 1/2"	2				
N/S	4970692	Connector, Oval Sleeve Crimp 3/16	4				
N/S	3944303	Terminal, F/Insu FM/Quick Disc 12-10	2				
N/S	3971952	Chime, Enclosed 12-24 Volt VDC 2-Ton	1				



**diamond farebox w/2 vaults
0409378**

<i>ITEM PART NO. DESCRIPTION</i>	<i>QTY</i>	<i>ITEM PART NO. DESCRIPTION</i>	<i>QTY</i>
----------------------------------	------------	----------------------------------	------------

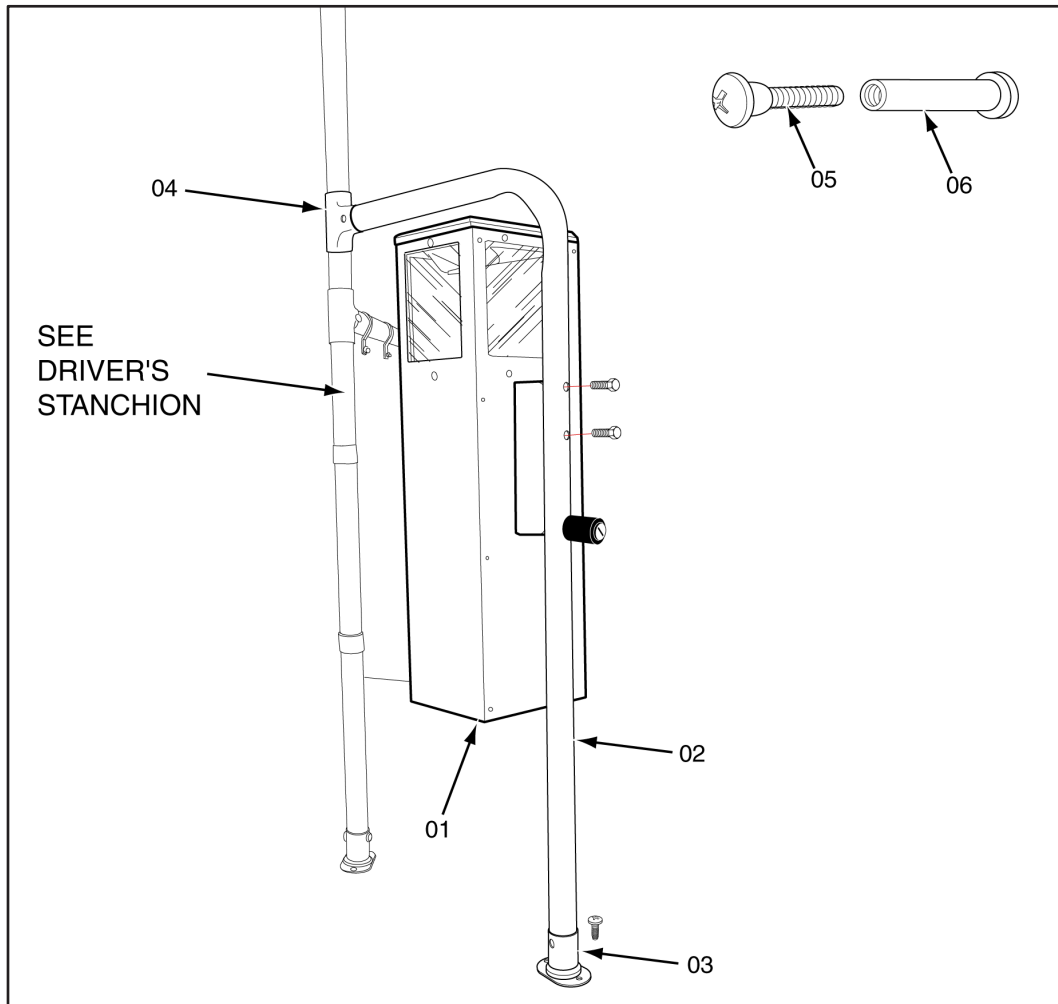
01 6570079 FAREBOX, DIAMOND MODEL SV W/2 VAULTS	1		
---	---	--	--

NOTE: Picture is not exact replica of this model



diamond farebox nv w/2 vaults
cx0000080056

<i>ITEM PART NO. DESCRIPTION</i>	<i>QTY</i>	<i>ITEM PART NO. DESCRIPTION</i>	<i>QTY</i>
01 6570063 Farebox, Diamond NV W/2 Vaults	1		
<i>(Picture is 1 Vault, Similar to 2 Vault)</i>			



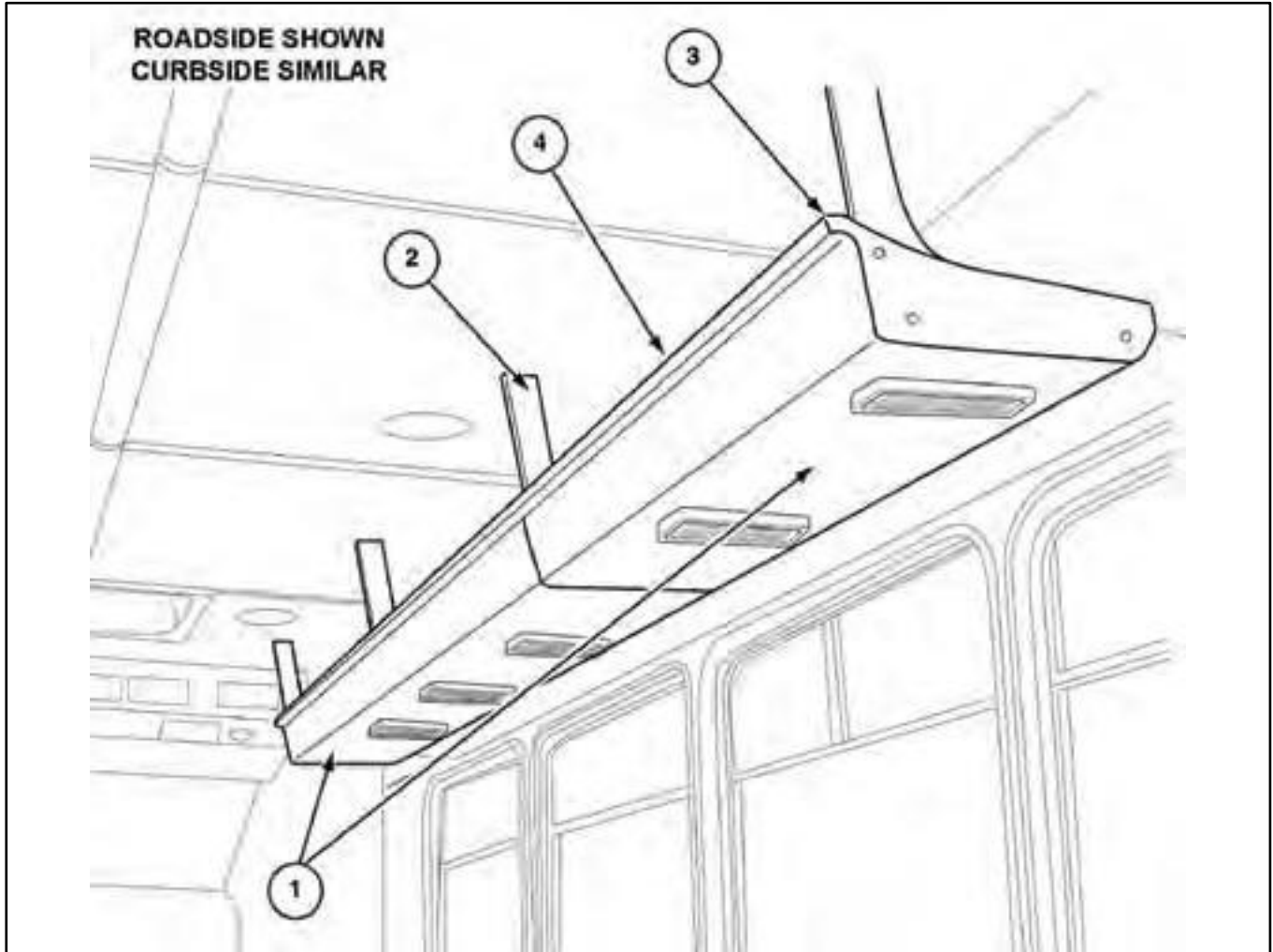
FARE BOX STANCHION
CH-000-900-3038, 0404727

<i>ITEM PART NO. DESCRIPTION</i>	<i>QTY</i>	<i>ITEM PART NO. DESCRIPTION</i>	<i>QTY</i>
01 6570006 Farebox, M-4 With 2 Vaults	1		
02 0346494 Tube, .065 x 1.25 x 17' S/S 180Grid	.3		
03 0346395 Fitting, S/S Bottom	1		
04 0346379 Fitting, S/S Tee #1495	1		
5 8571066 Bolt, Binder Male 1/4	3		
6 8571066 Bolt, Binder Female 1/4	3		



LUGGAGE RACK 60" X 26" X 58"
CX-000-900-4045, 0404518, 0402055

<i>ITEM PART NO. DESCRIPTION</i>	<i>QTY</i>	<i>ITEM PART NO. DESCRIPTION</i>	<i>QTY</i>
0402055 End, Luggage Rack Assembly		0404515 Luggage Rack Assembly	
01 0375842 Tube, .065 x 1.25 x 12' S/S 180Grid	1	08 0970009 Plywood, 5/8 x 48 x 96 Sturdi-Floor	AR
02 0346494 Tube, .065 x 1.25 x 17' S/S 180Grid	.3	08 1570211 Carpet, Aqua Turf Gray Metallic #585	AR
03 0346379 Fitting, S/S Tee #50100	10	08 4570063 Rail, Rub 16' Loxite White	AR
04 0343695 Fitting, S/S Bottom	2	08 0346494 Tube, .065 x 1.25 x 17' S/S 180Grid	1.5
05 0375842 Tube, .065 x 1.25 x 12' S/S 180Grid	1	NS 0970048 Plywood, 5/8 x 4 x 8 CDX-PTS Untr	AR
06 0348235 Fitting, S/S Bottom Oval 90°	1	04 0343695 Fitting, S/S Bottom #49011	2
07 0346494 Tube, .065 x 1.25 x 17' S/S 180Grid	.3	03 0346379 Fitting, S/S Tee #1495	2
NS 0346478 Bolt, Stanchion 1422 Male	12	NS 8570706 Screw, 10 x 1 1/2 Pan Quad Zinc	12
NS 0346460 Nut, Stanchion 1423 Female	12	NS 8570935 Screw, 8 x 1 Flat QDX T2 Clear EMP	10
		NS 8570788 Screw, 8 x 3/4 Square S/S Self Drill	2



overhead parcel rack all assemblies (rev-a)

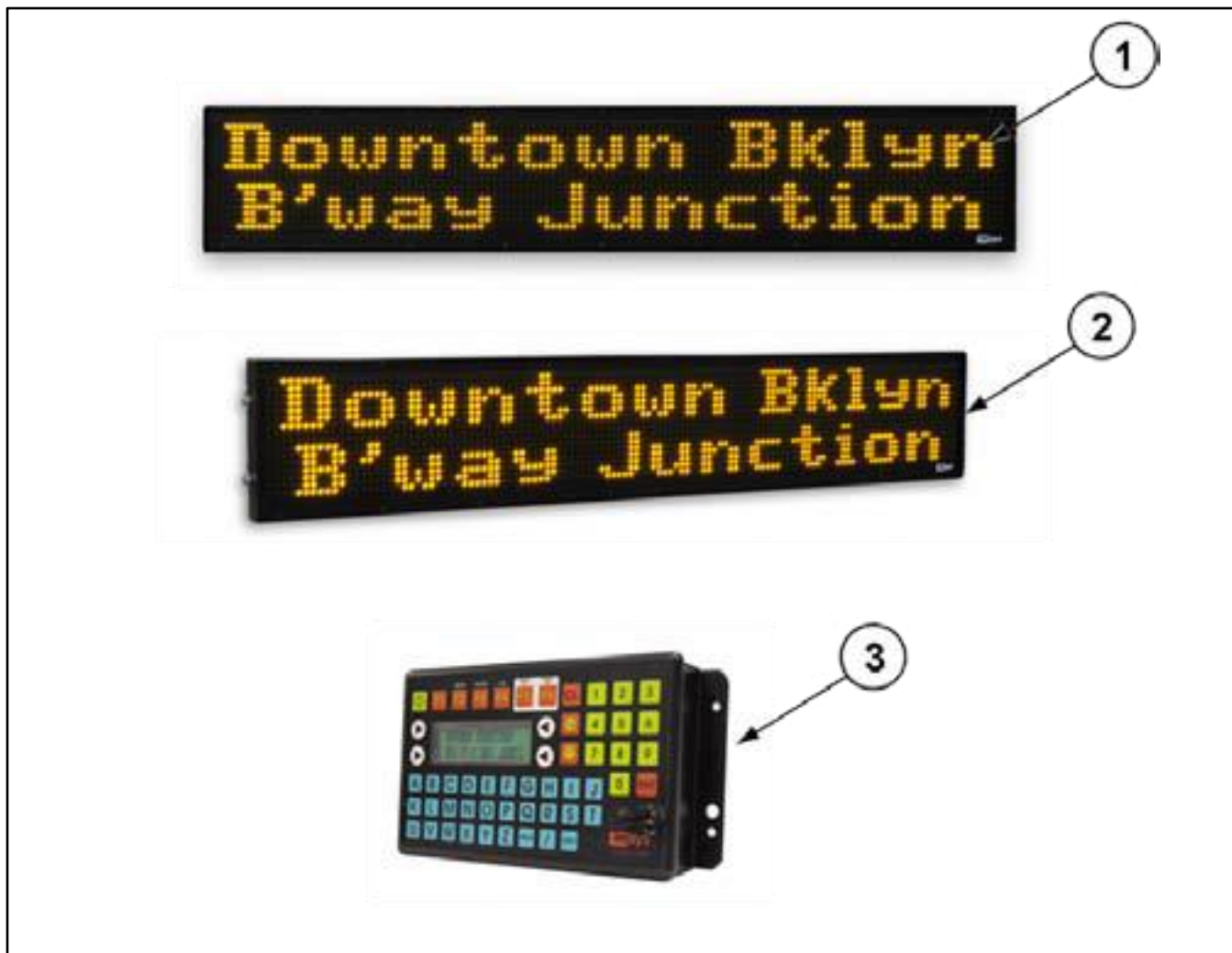
<u>ITEM</u>	<u>PART NO.</u>	<u>DESCRIPTION</u>	<u>QTY</u>	<u>ITEM</u>	<u>PART NO.</u>	<u>DESCRIPTION</u>	<u>QTY</u>
1	3371211	Rack, Parcel Overhead 4' R/S & C/S	AR	NS	0350769	Channel, Str .75x1.5x.75x89.75 16G	AR
	3371210	Rack, Parcel Overhead 3' R/S & C/S	AR	NS	0342428	Steel, Flat 14GA/16GA x 6 x 96.0	AR
	3371209	Rack, Parcel Overhead 2' R/S & C/S	AR	NS	4540142	Angle, Aluminum 1 x 1.5 x x 12'	AR
	3371220	Cap, Overhead Parcel Rack	AR		0403629	Install, Light Double Bullet	AR
2	0376964	Bracket, Parcel Support LH	AR	NS	3971720	Light, Double Aircraft W/Camlocks	AR
2	0376965	Bracket, Parcel Support RH	AR	NS	0412012	Install, Pigtail Double Bullet Light	AR
3	0374485P	Bracket, ABS O/H Lug RH Gray PW	AR		0403157	Install, Light W/Out Switch	AR
3	0346410P	Bracket, ABS O/H Lug RH Gray PW	AR	NS	3943917	Light, Dome Without Switch	AR
4	8970402	Trim, Grip W/Out Bulb 3/8" x 5/8"	AR	NS	3971539	Connector, AMP Mate-N-Lock Plug	AR
NS	1570211	Carpet, Aqua Turf Gray Metallic #585	AR	NS	3971543	Connectpr. AMP Mate-N-Lock Cap	AR
NS	4570096	Extrusion, Luggage Rack 241.0	AR	NS	3971730	Terminal, Pin Tape Mtd AMP	AR
NS	3974526	Harness, Center Lights	AR	NS	3971731	Terminal, Socket Tape Mounted AMPAR	AR
NS	3974666	Harness, Parcel Rack Extension	AR				
NS	0379703	Bracket, Parcel Rack Extension	AR				
NS	4570144	Cap, End "J" .19-1/4" x 16'	AR				
NS	0970024	Lumber, 2 x 6 x 96.0 #2	AR				

NOTE: Some racks will have "Flocked" or "Auto Cloth" Covering. See your parts representative for more information.



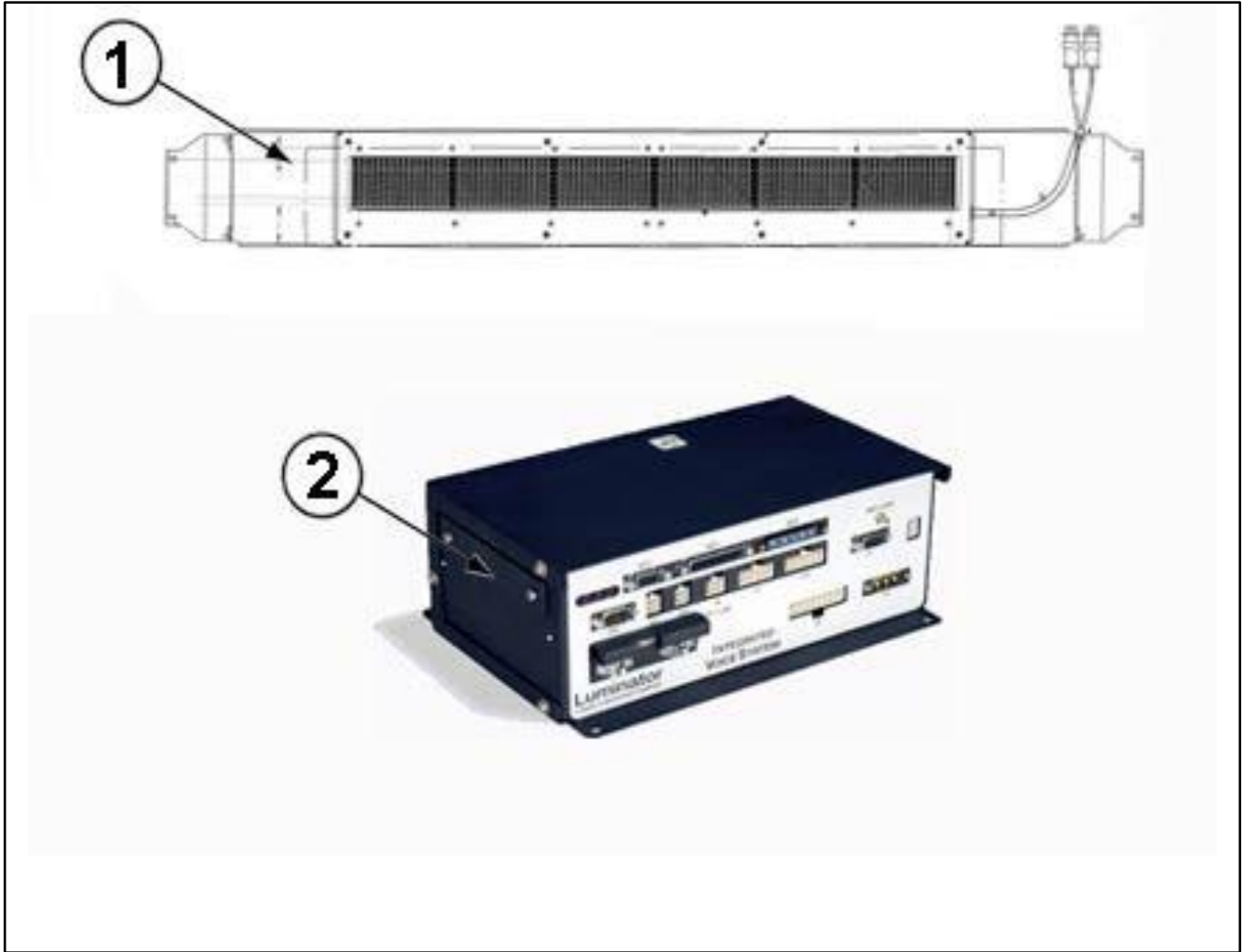
OVERHEAD PARCEL RACK-FLOCKED ALL ASSEMBLIES

ITEM	PART NO.	DESCRIPTION	QTY	ITEM	PART NO.	DESCRIPTION	QTY
1	0408450A	Install Rack Overhead Lugg Roadside (4') NOTE: Parcel Rack part numbers & flocking same as listed below in the Curbside Assembly		05	0409199	Brackets, Roadside & Curbside	
2	0407764A	Install, Rack Overhead Lugg- Curbside (4')		04	0374610	Bracket, ABS Overhead Lug L/H	AR
	0407765A	Install, Rack Overhead Lugg - Curbside (3')			0374485	Bracket, ABS Overhead Lug R/H	AR
	0407766A	Install, Rack Overhead Lugg - Curbside (2')			0376964	Bracket, Parcel Rack Support L/H	AR
	3371211	Rack, Parcel Overhead 4'	3		0376965	Bracket, Parcel Rack Support R/H	AR
	3371210	Rack, Parcel Overhead 3'	1	04	0374485P	Bracket, ABS Overhead Lug Gray PW	AR
	3371209	Rack, Parcel Overhead 2'	1	NS	1570211	Carpet, Aqua Turf Gray Metallic #585	1
	9770074	Rack, Parcel Flocked 4'	1	NS	4570144	Cap, End "J" .19 1/4" x 16"	2
	9770073	Rack, Parcel Flocked 3'	1	NS	8970402	Trim, Grip W/Out Bulb 3/8" x 5/8"	1.5
	9770072	Rack, Parcel Flocked 2'	1	03	4570096	Extrusion, Luggage Rack 241.0	2
NS	0408810	Light Without Switch		NS	3972921	Harness, Parcel Rack Lights	1
	3943917	Light, Dome Without Switch	5	NS	3371220	Cap, Overhead Parcel Rack	4
	3973881	Switch, Carling, On/Off	1	NS	0342428	Steel, Flat 14/16GA x 6 x 96.0	5
	3970183	Terminal, QKDisc/FemNon-Ins 16-14	4	NS	0350769	Channel, STR 3/4 x 1.5 x 3/4 x 89 3/4 16 GA	AR
	3947066	Connector, RT 10-4848	1	N/S	0408959	Light, Double Bullet	
					3971720	Light, Double Aircraft with Camlocks	1
					3971730	Terminal, Pin Tape Mounted	2



AESYS DESTINATION SIGN - FRONT & SIDE 0420825

ITEM	PART NO.	DESCRIPTION	QTY	ITEM	PART NO.	DESCRIPTION	QTY
01	8971264	Sign, Front Dest. HG3/10.120 16.1 YW	1	0403572 Install, Door Dest Sign ABS Non-Lock			
02	8971265	Sign, Side Dest. HG375.80 x 16 YM SI	1	NS	3370939	Door, Destination Challenger	1
03	8971266	Controller, Dest KC 640-J1708	1		3370798	Guard, Door Edge	1
NS	8971267	Cable, Data KC640 To Front /Side	1		4970476	Hinge, Concealed	3
NS	8971045	Software, Destination Sign AESYS	1		4941520	Lock, Thumb Complete	3
					0375567	Plate, 16GA 2 x 3 Dest Hinge Back	3
NS	3972514	Antenna, AM/FM	1		4540241	Bar, Aluminum .125 x .75 x 4'	AR
NS	3974103	Antenna, Cable Extension	2		3370919	Sheet, ABS .125" x 48" x 78" Gray	AR
NS	3974102	Antenna, Flexible Roof Mount	1		0364836	Steel, Flat 14GA/16ga X 3 X 96.0	AR
				NS	5970157	Window, Destination CH-CR	1
					8971071	Tape, Butyl Coated Foam 7mm DTA	.5



HORIZON SMART DESTINATION SIGNS 0422604 / 0403572

ITEM	PART NO.	DESCRIPTION	QTY	ITEM	PART NO.	DESCRIPTION	QTY
0422604 Dest Sign Lum Hor SMT Gen-4 Frt/Side				0403572 Install, Door Dest Sign ABS Non-Lock			
1	8971272	Sign Dest Front Lum Hor Smt 16 x 120	1	NS	3370939	Door, Dest Access Sq Corner 9 x 42	1
	0378204	Bracket, Destination Sign Front	2		3370798	Guard, Door Edge (150')	.1
	3974660	Harness, Destination Sign Front	1		3370919	Sheet, ABS .125" x 48" x 78" Gray	.1
NS	8971237	Sign Dest Side Lum Gen4 8 x 64, 36.5"	1		4970476	Hinge, Concealed	3
	0380006	Bracket, Lum Side Sign Smt 8 x 96 RH	1		4941520	Lock, Thumb Complete	3
	0380007	Bracket, Lum Side Sign Smt 8 x 96 LH	1		0375567	Plate, 16GA 2.0 x 3.0 Dest Hinge Back	3
	3974537	Harness, Destination Sign (Side) 12'	2		4540241	Bar, Aluminum .125 x .75 x 4'	.1
2	3975442	Controller, OKD 4 Luminator	1				
NS	3973304	Software, IPS Luminator	1				
NS	5970157	Window, Destination CH/CR	1				
NS	3972514	Antenna, AM/FM	1				
NS	3974103	Antenna, Cable Extension	1				
NS	3974102	Antenna, Flexible Roof Mount	1				
NS	8971274	Cable, Sign Dest Lum Cable Frt-Side	1				



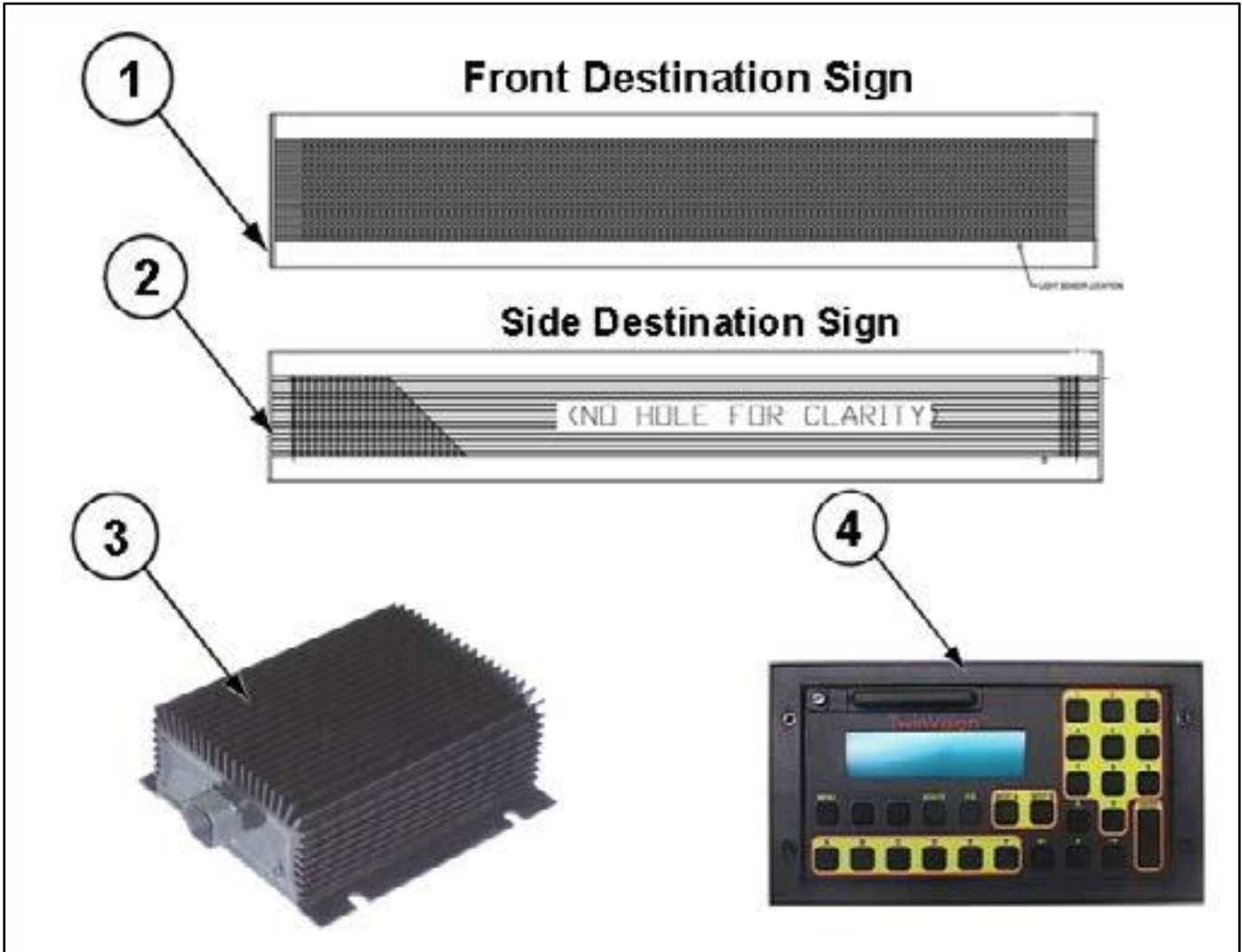
TWIN VISION DESTINATION SIGNS 0417334 (rEV-A)

ITEM PART NO.	DESCRIPTION	QTY	ITEM PART NO.	DESCRIPTION	QTY
1	3974702 Sign, Destination 14 x 72-8MM LED	1			
2	3974703 Sign, Destination 14 x 108-8MM LED	1			
3	8970861 Console, OCU TwinVision W/RS 232	1			
04	3973278 Converter, 12V-24V 10A DC	1			
NS	8970917 Card, PCMCIA 1.0 MEG	.2			
NS	8970804 ELYSE, Software (License Fee)	.2			
NS	0377524 Bracket, Twin Vision Frnt Dest Sign	1			
NS	0377895 Bracket, Dest. Sign (Twin Vision)	1			
NS	0403572 Door, Dest. Sign ABS (Interior)	1			
NS	0407704 Install, Window 36.38 x 46.5 Clear Top	1			
NS	0403571 Install, Window Multiple Dest Sign	1			
NS	3974660 Harness, Dest Sign Front	1			
NS	3974103 Antenna, Cable Extension	2			
NS	3971367 Antenna, Pillar Mount	1			
NS	8971295 Cable, Extension Dest. Sign Frt-Side 12'1	1			



tv mobilite front/side destination sign 0421116 / 0403572

ITEM	PART NO.	DESCRIPTION	QTY	ITEM	PART NO.	DESCRIPTION	QTY
1	3975191	Sign, Dest. 14 x 108 Amber Mobilite	1	0403572 Install, Door Dest Sign CH/CR ABS			
2	3975192	Sign, Dest. 14 x 72 Amber Mobilite	1	NS	3370939	Door, Destination Challenger	1
3	3975193	Console, OCU Mobilite 12V	1	NS	4941520	Lock, Thumb Complete	2
NS	3975495	Harness, Twin Vision Mobilite L Series	1	NS	3370798	Guard, Door Edge	AR
NS	3975496	Cable, Twin Mobilite L-Series Bus	1	NS	4970476	Hinge, Concealed	3
NS	3974660	Harness, Destination Sign Front	1	NS	3370919	Sheet, ABS .125" x 48" x 78" Gray	AR
NS	0378204	Bracket, Destination Sign Front	2	NS	0364836	Steel, Flat 14GA/16GA x 3 x 96.0	AR
NS	2970157	Window, Destination CH-CR	1	NS	0375567	Plate, 16GA2.0" x 3.0" Hinge Backing	3
NS	3974102	Antenna, Flexible Roof Mount	1	NS	4540241	Bar, Aluminum .125 x .75 x 4'	
NS	3974103	Antenna, Cable Extension	1				



destination sign package - frnt/side amber 0422314

ITEM	PART NO.	DESCRIPTION	QTY	ITEM	PART NO.	DESCRIPTION	QTY
0422314 Install, Dest Sign Tw Vis Smart Frt/Side				NS 0403572 Install, Door Dest Sign ABS Non-Lock			
01	3974865	Sign, Front 16 x 160 Amber	1	3370939	ABS, Door Destination Sign	1	
	0378094	Bracket, Front Front Dest Sign	2	3370798	Guard, Door Edge (150') 730-4291	AR	
02	3974866	Sign, Side 14 x 108 Amber	1	3370919	Sheet, ABS .125" x 48" x 78" Gray	AR	
3	8970992	Converter, DC to DC TV	1	0364836	Steel, Flat 14GA/16GA x 3 x 96"	AR	
4	3974863	OCU, Console Slimline	1	4970476	Hinge, Concealed	3	
NS	8970862	Software, Elysie	1	4941520	Lock, Thumb Complete	3	
NS	3974864	Key, Data USG 1GB Twin Vision	1	0375567	Plate, 16GA 2.0 x 3.0 Dest Hinge Back	2	
NS	3975233	Cable, Twin Vision 28' Front to Side	1	4540241	Bar Aluminum .125 x .75 x 4'	AR	
NS	3974660	Harness, Destination Sign Front	1				
NS	3974103	Antenna, Cable Extension	2				
NS	3974102	Antenna, Flexible Roof Mount	1				
NS	5970157	Window, Destination (Front)	1				
NS	5970733	Window, Dest. 36.38 x 46.5 (Side)	1				

BILL OF MATERIAL - WASHINGTON-PDOT (ROHRER BUS)**UNIT #24482-24483**

Item/Components	Description	Qty Per	U/M
0402664	PANEL,MODESTY 24 X 24.25 PADDED VINYL	2	EA
0405959	INSTALL,FUSE BOX LAMINATED PLYWOOD ASSY	1	EA
0407141	INSTALL,STEPWELL 34.25 FORD 4DEG SS ASSY	1	EA
0408136	INSTALL,SKIRT PAN METAL CH 23'FLAT FLOOR	1	EA
0408312	INSTALL,DECALS CHAMPION	1	EA
0408366	INSTALL,MUD FLAP 18 X 24	1	EA
0409314	INSTALL,SPACER SPRING REAR FORD	1	EA
0410016	INSTALL,DURATRANS SHIFTER MODULE FORD	1	EA
0410359	INSTALL,KICKPANEL FIBER TRUE GRIT CH23'	1	EA
0410392	CEILING,CARLSBAD SMOKE CH250	1	EA
0410488	INTERIOR,LONDON SMOKE CH230	1	EA
0410569	INSTALL,BREAKER MANUAL RESET -6 EACH-	2	EA
0411274	INSTALL,RUB RAIL WHITE T-5 25' OR LESS	1	EA
0411794	INSTALL,LIGHTBAR LONDON SMOKE 25' NORTH	1	EA
0412189	INSTALL,BIO-HAZARD KIT (LARGE)	1	EA
0412989	INSTALL,MODULE PARK CRANK	1	EA
0413219	INSTALL,HOLDER PERMIT	1	EA
0413229	REAR CENTER BRAKE LIGHT LED SOUNDOFF	1	EA
0413512	INSTALL,WINTER GUARD KIT 3 FAN ACT	1	EA
0414338	ROMEO RIM BUMPER W/HAWKEYE GMT560	1	EA
0415014	INSTALL,WEBBING LOOPS 1" BLUE Q5-7580	24	EA
0415615	LIGHTS EXT. ADA LED SOUND-OFF (2 LIGHTS)	1	EA
0415671	INSTALL,LIGHT LED SIDE MARKER FLUSH MOUN	1	EA
0416959	COVER,FUEL SEND UNIT ACCESS S/S NON SKID	1	EA
0416960	INSTALL,PARA DOOR DUAL S/S W/ WNDW PDOT	1	EA
0416963	LIGHTS,EXT LED LIGHT PKG SOUNDOFF P-DOT	1	EA
0416968	INSTALL,WINGS ENTRANCE DOOR S/S	1	EA
0418230	INSTALL,GRAB ENTRY YELLOW DIMPLED ELEC P	1	EA
0418316	INSTALL,HOLDER DOOR 6" S/S PDOT PARA/REA	1	EA
0419123	INSTALL,LIGHT DRIVERS SWIVEL LED	1	EA
0420050	INSTALL,ROOF TEKMOTO (1) PC 23'	1	EA
0420455	LIGHTS,DOOR ACTUATED DOME PDOT	1	EA
0420642	FLOORING,ALTRO CH230 STRADA	1	EA
0421018	INSTALL,HATCH ESCAPE 1900 W/TETHER/ALARM	1	EA
0422043	INSTALL,MIRRORS EXT HTD/RMT (BOTH) ESERI	1	EA
0402453A-PDOT	STANCHION,GRABRAIL R/S ENT. DIMP YELLOW	1	EA
0407650-PDOT	INSTALL,HEATER 65K WALL MOUNT	1	EA
0416399-PDOT	INSTALL,LIGHTS INTERIOR 12" LED STRIP	1	EA
0416421P-DOT	INSTALL,A/C 70K ACT 5.4 FORD	1	EA
0416961 REV-A	DOOR,REAR COMP W/2 WINDOW S/S (NEW)	1	EA
0418976-PDOT	INSTALL,LIGHT ENGINECOMP GM/FD LED 12"	1	EA
0419136-PDOT	BOX,BATTERY S/S ENCLOSED ASSY PDOT	1	EA
CH-000-900-0140	INTERLOCK-IGNITION/REAR DOOR LOCK	1	EA
CH-000-900-0605	MUD FLAPS FRONT CHALLENGER - CRUSADER	0.5	EA
CH-000-900-1828	ALUMINUM DRIVER SIDE RUNNING BOARD	1	EA
CH-000-900-2011L	SPARE TIRE (LOOSE) CH-CR FORD	1	EA

BILL OF MATERIAL - WASHINGTON-PDOT (ROHRER BUS)**UNIT #24482-24483**

CH-000-999-3090	FLAT BACK REAR END CHALL 94" 4DEG	1	EA
CH000FP14047	STREET SIDE EXHAUST V-10 E-40	1	EA
CH2300053250	INSTALL,DRIP CAP LARGE 1.25" WHITE	1	EA
CH-230-900-1826Y	ROOF HAND RAILS - PAIR CH230 YELLOW D	1	EA
CH-230-900-2010	TRACK SEATING - ENTIRE BUS CH230	1	EA
CH-230-999-0056	GALVANIZED METAL EXTERIOR	1	EA
CH230FC-PDOT-24482	CH230RLFF,158" WB X 5.4, WASHINGTON PDOT		
CH-231-005	CHALLENGER,158"WB 2002 23' R/L FF BASE C	1	EA
CH-231-905-0409E	DOOR 30" ELEC 23' CHALL R/L FF 4DEG	1	EA
CH24482W	WINDOW PACKAGE UNIT 24482	1	EA
CX0000020128	INSTALL,GROMMETS FLOOR PASS THROUGH	1	EA
CX0000023280	SPEAKER 5" 2-WAY SHALLOW MOUNT (EACH)	5	EA
CX0000052956	INSTALL,WINDOW 13 X 23 SOLID	2	EA
CX0000054058	REAR DOOR LOCK (BOLT & DASH BUZZ LIGHT)	1	EA
CX0000060012	Q-STRAINT,TIEDOWN QRT CBI 3.1 Q8100 TRK	6	ST
CX0000060025	INSTALL,POUCH TIEDOWN STORAGE Q-STRAINT	6	EA
CX0000070208	BACKUP ALARM (SMALL)	1	EA
CX0000070603	EXTINGUISHER FIRE 5 LB	1	EA
CX0000070604	FIRST AID KIT 13 UNIT	1	EA
CX0000071913	STANCHION PADDING - DELUXE (BLACK)	2	EA
CX0000072809	MIRROR 6" X 16" INTERIOR CH-CR-DF	1	EA
CX0000072827	FLARE KIT,REFLECTOR	1	EA
CX0000080008	FRONT GLOVE BOX LOCKING CH/CR FLAT FLR	1	EA
CX0000080156	SIGN-SEAT BELT MUST BE WORN AT ALL TIMES	4	EA
CX-000-900-0613	SEAT BELT WEB CUTTER Q-STRAINT	2	EA
CX-000-900-3121	ELECTRIC HEATED ENTRANCE STEP (EA STEP)	1	EA
CX-000-900-4014	RET. SEAT BELTS (PER PASSENGER)	12	EA
PA0000026373	LIGHT,STEPWELL LED 18" STRIP DOOR HDER M	1	EA
PA000FD65517	LIFT PACK BRAUN NL919 #2 PDOT 08' FORD	1	EA
PD0000073040 REV-B	STANCHION,DRIVER'S BARRIER NO MOD PANEL	1	EA

Salesperson: JLIPKA

Route To: 1032
 ROHRER ENTERPRISES, INC
 HOWARD ROHRER/OWNER
 P.O. BOX 100
 1515 STATE ROAD
 DUNCANNON PA 17020
 USA

Ship To: 359
 ROGER RITTENHOU
 RITTENHOUSE BUS LINES,
 INC.
 31 EASE END ROAD
 SMOCK PA 15480
 USA

Retail Customer: WASHINGTON PDOT

Order #	Cust PO No.	Ship Via	Pk PP	Date	Ord Terms	Ver Date
B024482	SH-015776	driveaway		07/22/13	NET 30 DAYS	12/17/13

Line	Rel	Qty	Ord	Item	Extended Price	Net Price
1		1.00		CH230FC-PDOT-24482 CHALLENGER 183.0 BODY X 276.0 OL Champion Serial #: 553CH230RLFC24482 Taxable:		
2		1.00		FC13S-LS 158" X 5.4L FORD E-450 V8 GAS 14,050 GVW Chassis Serial #: 1FDFE4FL3DDB36427 ***** SUBURBAN ***** 225 AMP ALT. DAYTIME RUNNING LIGHTS AM/FM/CD RADIO POWER SEAT BASE WITH SEAT OEM SPARE TIRE & WHEEL LIMITED SLIP 55 GAL FUEL TANK Taxable:		
3		1.00		PDOT PCID1113 FORD E450 2 PENN DOT CHALLENGER STDS PCID113 2012 ***** SALES OPTIONS OVERRIDE STANDARDS ***** OEM ALTERNATOR - 225 AMP DUAL BATTERIES - OEM OR AFTERMARKET AS LONG AS BOTH BATTERIES ARE THE SAME DAYTIME RUNNING LIGHTS OEM REAR MUD FLAPS		

Order #	Cust PO No.	Ship Via	Pk PP	Date Ord	Terms	Ver Date
B024482	SH-015776	driveaway		07/22/13	NET 30 DAYS	12/17/13

Line Rel	Qty Ord	Item	Extended Price	Net Price
		(0.5) 10605-MUD FLAPS FRONT		
		(1) 11828-RUNNING BOARD,D/S ALUMINUM CHASSIS MONRONEY STICKERS MUST BE INCLUDED		
		(1) 14047-EXHAUST,STREET SIDE **WITHIN 6" FROM REAR BUMPER**		
		(1) 26408-BATTERY, BOX/TRAY S/S ENCLOSED VENTED		
		WHEELS TO BE PAINTED WHITE OEM		
		(1) 10014-SPARE TIRE/WHEEL 16.0 SHIP LOOSE - WHEEL PAINTED WHITE		
		(1) 45283-70,000 BTU A/C ACT FORD 5.4 GAS - MUST USE AEROQUIP HOSE		
		EVAPORATOR CLOSE OUT PANEL IS REQUIRED WITH ANY A/C PACKAGE WITH A REAR A/C EVAPORATOR		
		(1) 40017-ACT-WINTER GUARD 3 FAN ACT SYSTEM		
		(1) 53170-STEPWELL,STAINLESS STEEL 14GA		
		(1) 33261-WINGS ENTRANCE DOOR S/S P-DOT 30" MANUAL ENTRANCE DOOR		
		(1) 43121-ELECTRIC HEATED ENTRANCE STEP(EACH)		
		16 GAUGE STEEL WHEEL WELLS		
		STEEL CAGE CONSTRUCTION W/ GATOR SHIELD CORROSION PROTECTION		
		(1) 23044-ENGINE COMPT LIGHT LED 12" STRIP		
		(2) 20059-BREAKER,CIRCUIT MANUAL RESET -6 EACH		
		IN LIEU OF FUSES		
		(2) 20160-SPARE WIRE IN MAIN HARNESS		
		10 GAGE UN DEDICATED HOT AND UN DEDICATED IGNITION WIRE MUST BE RAN AND TERMINATED INSIDE ELECTRICAL BOX		
		CARLING ROCKER SWITCHES MOUNTED ON MOTOR COVER WITH ELECTRIC DOOR OR EYEBROW BEZEL WITH MANUAL DOOR		
		(1) 22004-MODULE,SHIFT INHIBITOR DURATRANS		
		(1) 23268-LIGHTS,LED ALL EXTERIOR SOUND OFF:		
		**INCLUDES GUARDED FRONT CLEARANCE, SIDEMARKER LED FLUSH MOUNT, REAR CENTER BRAKE LED ROUND		
		(1) 25334-LIGHTS LED ADA EXTERIOR SOUNDOFF		
		(1) 26373-PDOT-LIGHT,LED STEPWELL 18" STRIP LIGHT DOOR HEADER MN- ACTS AS INTERIOR AND EXTERIOR ENTRANCE LIGHTING MEETING ADA		
		IN LIEU OF STANDARDS STEPWELL LIGHTS		
		(1) 25349-WIRING,COLOR/NUMBER/FUNCTION		

Order #	Cust PO No.	Ship Via	Pk PP	Date Ord	Terms	Ver Date
B024482	SH-015776	driveaway		07/22/13	NET 30 DAYS	12/17/13

Line Rel	Qty Ord	Item	Extended Price	Net Price
		CODED 6 INCHES MINIMUM		
		(1) 23124-LIGHTS, DOOR ACTUATED DOME PDOT - TIED TO LIFT, REAR, AND ENTRANCE DOOR OEM AM/FM CD PLAYER		
		(5) 23280-SPEAKER 5" 2-WAY SHALLOW MOUNT **FOUR IN PASSENGER COMPARTMENT, ONE IN DRIVER'S AREA - UTILIZE OEM SPEAKER IF POSSIBLE**		
		(0.75) 26372-LIGHT, INTERIOR LED 12" STRIP SOUND OFF		
		QUANTITY OF 6 LIGHTS IN LIEU OF STANDARD DOME		
		(1) 23516-LIGHT, DRIVER SWIVEL LED IN LIEU OF STANDARD DOME LIGHT UNDER BULKHEAD		
		ELECTRICAL FUSE PANEL LOCATED ABOVE DRIVER		
		(1) 61053-INTERLOCK, PCOM (PARK CRANK ONLY MODULE) INTERMOTIVE		
		(1) 70140-INTERLOCK - IGNITION/REAR DOOR LOCK		
		(1) 54058-REAR DOOR LOCK - INCLUDES BARREL BOLT		
		(1) 70208-BACKUP ALARM (SMALL)		
		(1) 45039-HEATER 45,000 BTU MUST BE 2 MANUAL SHUT OFF VALVES - 1 FOR INTAKE & 1 FOR RETURN COOLANT		
		(1) 13018-FUEL SEND UNIT ACCESS COVER S/S NON SKID - REQUIRES FORD HARNESS EXTENSION TO MOVE THE CONNECTION RIGHT UNDER THE ACCESS PANEL - FOR INSPECTION PURPOSES ONLY		
		USE 1.5 INCH SELF-DRILLING, PAN-HEADED SCREWS. MID STATES # 8G150UQP		
		(1) 20128-GROMMETS ALL FLOOR PASS THROUGHS		
		(1) 33239-PLYWOOD, 3/4 MARINE GRADE FLOOR ANGLE CUT RIBBED RUBBER IN ENTRANCE AREA		
		(23) 30028-FLOORING, FULL RUBBER BLK. RCA (PER FOOT)		
		(1) 33117-YELLOW STEP EDGE NOSINGS		
		(1) 33110-WHITE STANDEE LINE TRACK SEATING		
		LONDON SMOKE INTERIOR FLAT LONDON SMOKE WIRE BARS CARLSBAD CEILING BLACK FIBERGLASS KICK PANEL UNDER SEAT RAIL		
		GALVANIZED STEEL EXTERIOR 30015-SEAL EXPOSED EXT PANEL CUT EDGES- SEE VWI-2012-0061		
		ROOF ONE PIECE COMPOSITE PER LF BLACK STEEL POWDER COATED REAR BUMPER		

Order #	Cust PO No.	Ship Via	Pk PP	Date Ord	Terms	Ver Date
B024482	SH-015776	driveaway		07/22/13	NET 30 DAYS	12/17/13

Line Rel	Qty Ord	Item	Extended Price	Net Price
		2" ALUMINUM RUB RAIL 71101-KICK OUT WINDOW (ADDITIONAL) **ALL PASSENGER WINDOWS MUST BE EMERGENCY EGRESS** **QUANTITY DEPENDS FLOOR PLAN** (1) 55245-DOOR REAR COMP S/S W/ 2 WINDOWS (1) 52956-WINDOWS BOTH SIDES OF REAR DOOR (2) 72956-PDOT-HOLDER, DOOR LATCH 6" T-HANDLE S/S PDOT REAR DOOR AND EACH LIFT DOOR LEAF QUANTITY DEPENDS ON LIFT DOOR (1) 75526-ESCAPE HATCH 1900 TRANSP W/TETHER/SWITCH - AUDIBLE ALARM WIRED DIRECT (1) 53250-DRIP MOLDING OVER WINDOWS LARGE **MOUNT A PIECE ON THE FRONT CAP OVER THE DRIVER'S DOOR** **MOUNT A PIECE ABOVE THE REAR DOOR** (1) 73258PDOT-GRAB RAIL RH & LH YELLOW DIMPLE ENTRY LEFT HAND GRAB RAIL WITH STANCHION AND MODESTY PANEL BEHIND ENTRANCE STEP ** MUST BE 27" FROM SIDEWALL TO OUTER EDGE OF STANCHION** (1) 70017-STANCHION W/INTEGRATED RIGHT HAND GRAB (ONLY WITH ELECTRIC DOOR) STANCHION TO BE STANDARD STEEL TUBING, GRAB RAIL TO BE YELLOW DIMPLED (1) 71828-GRAB RAILS ROOF MTD YELLOW DIMPLED (2) 71913-STANCHION, PADDING BLACK (1 SET) (2) 71103-MODESTY PANEL COVERD IN PADDED VINYL (1) 73040-STANCHION, W/MODESTY/DRIVERS BARRIER (1) 70604-KIT, FIRST AID - 13 UNIT (1) 70603-EXTINGUISHER FIRE 5 POUND (1) 72827-FLARE KIT - REFLECTOR (1) 71938-BIO-KIT, LARGE - MOUNT BEHIND DRIVER ON MODESTY PANEL (1) 72809-MIRROR, INTERIOR 6.0 X 16.0 (2) 70613- SEATBELT WEB CUTTER (1) 81227-DECAL, CLEARANCE HEIGHT CLEARANCE HEIGHT PLUS 2" 1.5" LETTER HEIGHT MINIMUM VISIBLE TO THE DRIVER (1) 83003H-HOLDER, INSURANCE CERTIFICATE MOUNT ON FRONT BULK HEAD (1) 14100-SUSPENSION, CHASSIS FRONT END		

Order #	Cust PO No.	Ship Via	Pk PP	Date Ord	Terms	Ver Date
B024482	SH-015776	driveaway		07/22/13	NET 30 DAYS	12/17/13

Line Rel	Qty Ord	Item	Extended Price	Net Price
		ALIGNMENT FULL BODY UNDERCOAT (1) 73303-MIRRORS,EXT. VALVAC MANUAL FORD SEAT TRACK COVER TO SIDEWALL SEAT TRACK OEM DRIVERS SEAT RECLINER WITH 6 WAY POWER PEDISTAL CBI PARTS MANUALS-CD (1) 23152-AS BUILT WIRING DIAGRAMS *ALL BATTERY CABLE TO BE 2/0 SGX *FOAM INSULATION 1/2" THICK - R VALUE 8 Taxable:		
4	1.00	55246 DOOR, PARA DUAL COMP S/S W/ 1 WINDOW Taxable:		
5	1.00	65517 P-DOT08' LIFT PACKAGE BRAUN NL919IB # 2 403/404 **REQUIRES 2 DECALS PART #8940561 - DECAL, PARATRANSIT 8.75 X 8.75; SHIP BOTH LOOSE IN THE BLUE PACKET THAT GOES WITH THE BUS** ADA LIGHTING-ADA ENTRY LIGHTING-PARK INTERLOCK-PRIORITY SEATING SIGNS-WHEELCHAIR LOCATIONS-STEEL FLOOR MOUNTING PLATE 33005A-ARMORED CABLE ----- STANCHION WITH MODESTY PANEL REQUIRED WITH ALL FRONT LIFT MODELS ----- STANCHION WITH MODESTY PANEL REQUIRED WITH ALL REAR LIFT MODELS WITH PERIMETER SEATING FOR SAFETY REASONS ----- BOM:WHEN UNIT CALLS FOR A FRONT LIFT REMOVE P/N'S #3371244, 3371224 & 3371228. Taxable:		
6	6.00	60012 Q-STRAINT, TIEDOWN QRT CBI 3.1 Q8100 TRK W/COMBINATION LAP/SHOULDER BELT PACKAGE #CB1 3.1 Taxable:		
7	6.00	60025 POUCH, Q'STRAIT TIEDOWN - VINYL Taxable:		
8	24.00	65527 WHEELCHAIR WEBBING LOOPS 1" Q5-7580 Taxable:		

Order # Cust PO No. Ship Via Pk PP Date Ord Terms Ver Date

B024482 SH-015776 driveway 07/22/13 NET 30 DAYS 12/17/13

Line Rel Qty Ord Item Extended Price Net Price

9 1.00 SEAT PACKAGE
 SALES SEAT PACKAGE

 (6) 94066-SEAT, 35" FSC TWO STEP FOLDAWAY
 FLIP
 (12) 90047-LEVEL 4 FABRIC UPGRADE (PER
 PASSENGER) #114 D90 GRAY
 (12) 94014-74" RETRACTABLE SEAT BELTS -
 FOLDAWAY SEATS
 (12) 90060-FTA NEOPRENE FOAM PASSENGER
 SEATS
 (6) 95015-SEAT, FREEDMAN-AV GRAB MOLDED -
 AISLE SIDE
 (6) 90030-FREEDMAN US ARM (FLIP UP) -
 AISLE SIDE
 D-90 FLAME BLOCKER UNDER ALL CUSHIONS
 SEAT INSERT TO COVER BOTTOM OF SEAT
 CUSHION - TOTALLY ENCAPSULATED

 SEAT BELTS ARE REQUIRED WITH ALL FORWARD
 FACING SEATS - SALES TO SPECIFY WHAT
 TYPE - EFFECTIVE ON ALL ORDERS TAKEN
 AFTER MAY 1, 2012

Taxable:

10 1.00 06000
 DISCOUNT ASSISTANCE
 Taxable:

11 1.00 02000
 FORD GPC
 QP574
 Taxable:

12 1.00 05000
 FORD MOBILITY
 Taxable:

13 1.00 30007 P-DOT
 FLAT FLOOR (RAISED 6")
 Taxable:

14 1.00 30113 P-DOT
 ALTRO NON-SKID FLOOR (CALL FOR QUOTE)

 STRADA

 STEP NOSINGS TO BE T36T W/ INSERTS
 WELD STANDEE LINE INTO FLOORING
 INSTALL ACCORDING TO WORK INSTRUCTION
 WI-23-04
 Taxable:

Order #	Cust PO No.	Ship Via	Pk PP	Date Ord	Terms	Ver Date
B024482	SH-015776	driveaway		07/22/13	NET 30 DAYS	12/17/13

Line Rel	Qty Ord	Item	Extended Price	Net Price
----------	---------	------	----------------	-----------

15	1.00	40027 P-DOT HEATER, 65,000 WALL MOUNT P-DOT **IN LIEU OF 45,000 FLOOR MOUNT HEATER IN PDOT STANDARDS** ADD (1X) P/N 3975378 HARNESS, HEATER EXT TO UNITS 30 FT & OVER Taxable:		
16	1.00	50409 P-DOT DOOR, ENTRANCE 30" ELECTRIC CUTAWAY Taxable:		
17	1.00	53239 PDOT BUMPER REAR ROMEO RIM W/HAWKEYE DETECTOR ****COLOR / BLACK**** Taxable:		
18	1.00	73117 MIRRORS, EXT VELAC HTD/RMT FORD PDOT INCLUDES COVEX PORTION HEATED/REMOTE Taxable:		
19	1.00	80008 P-DOT FRONT GLOVE BOX, LOCKING Taxable:		
20	4.00	80156 PDOT DECAL, "SEAT BELT MUST BE WORN AT ALL.." Taxable:		
21	396.00	FREIGHT GAS FREIGHT DRIVEAWAY GAS Taxable:		
22	1.00	COMMENT 2 UNITS ALIKE 24482- 24483 Taxable:		
23	1.00	NO WHITE PAINT NO WHITE PAINT Taxable:		
24	1.00	DISC X PURCHASER AGREES SIGNING CONFIRMATION AS WRITTEN ABOVE CONSTITUTES ACCEPTANCE OF MODEL, OPTIONS/ACCESSORIES, PRICES, TERMS AND CONDITIONS STATED HEREON AND ANY CHANGES MAY BE SUBJECT TO ADDITIONAL CHARGES. Taxable:		

Order #	Cust PO No.	Ship Via	Pk PP	Date Ord	Terms	Ver Date
B024482	SH-015776	driveaway		07/22/13	NET 30 DAYS	12/17/13
Line Rel	Qty Ord	Item		Extended Price		Net Price

EST. SHIP DATE
CONFIRMATION
SIGNATURE _____ CONFIRMATION DATE