



CHAMPION
BUS, INC.

Wholly owned subsidiary of Thor Industries, Inc.

PARTS CATALOG

Model: Defender F550
Model Year: 2014



P.O. Box 158 • Imlay City, MI 48444
(800) 331-5761

To the Customer,

Congratulations on your new Champion Bus, Inc. bus. If this is your first, let me extend a warm welcome to the Champion Bus family. If you are one of the many Americans and Canadians for whom Champion Bus ownership has become a tradition, we believe that your new Champion Bus will surpass your high expectations for a motor coach. It's no exaggeration to say that your new Champion Bus represents major improvements in design and construction since the company began making buses.

Please take a few minutes to acquaint yourself with your new coach. In this manual, along with the chassis, and other O.E.Ms., you will learn a great deal about your new vehicle and any options it may have. If you have additional questions, don't hesitate to call your Champion Bus, Inc. dealer or our service department in Michigan at:

(810-724-6474 or 800-331-5761).

Please count on us to deliver the unparalleled support you should expect as a Champion Bus, Inc. bus owner.

Sincerely yours,

A handwritten signature in black ink, appearing to read 'John Resnik', written in a cursive style.

John Resnik
President, Champion Bus, Inc

About this manual...

This parts catalog identifies service replacement parts for a Champion Bus, Inc.'s bus. It has been edited to a particular model, optional equipment and design configuration. Information in this manual is listed in sections. These sections include; Frame Structures, Exterior Trim, Interior Trim, Doors, Windows, Lights, Heating & Cooling, Options and more...

Use the Bookmark Tab to navigate through the manual or you can use the "Find" command to search for a particular installation or part.

Parts Ordering Instructions...

All orders and inquiries must include: Customer, the Unit's Number and Serial Number, Part Number, description of part as shown on parts list and quantity required. Address all correspondence to the following addresses or Fax number.

Mail:	Rohrer Enterprises, Inc.. 1515 State Road, P.O. Box 100 Duncannon, PA 17020-0100	
Phone:	(800) 735-6700 (717) 957-4774	
Fax:	(717) 957-3897	
Parts Dept:	Parts Specialist Parts Manager	Ext. 242 (parts3@rohrerbus.com) Ext 254 (ahornberger@rohrerbus.com)
Warranty Dept.	Technical Advisor	Ext. 258 (kjones@rohrerbus.com)

General Notes:


1. This catalog contains most of the parts required from a production build. If parts other than those cataloged are required, please provide the bus unit number and serial number, plus a complete description of the parts that are not cataloged.
2. The replacement parts listed on this CD are "Factory-Authorized Parts" .
3. If ordering full assemblies, all parts shown are shipped assembled or separately.
4. As Required parts are to be ordered by specific measurement.
5. The following letter designations are used to classify parts throughout this manual:
A/R = As Required, NSS = Not Sold Separately, N/S = Not Shown, REF = For Reference Only

How to Read the Page...

Parts at Champion Bus, Inc. are organized in assembly numbers (ie. 0416278). The assembly number displayed on the page is a combination of attached parts logically grouped together. This is translated to the pages of our catalogs/manuals. Below is an explanation of what this means to you.

1. Designates Champion Bus, or General Coach
2. Section Number and Description
3. Picture of Assembly
4. Summary of Assembly
5. Assembly Number and Description
6. Item Number, Corresponding with Picture
7. Part Number
8. GCA/CBI Part Description
9. Quantity of Parts within Assembly
10. Notes, if needed
11. Latest Revision Date
12. Page Number
13. Name of Book

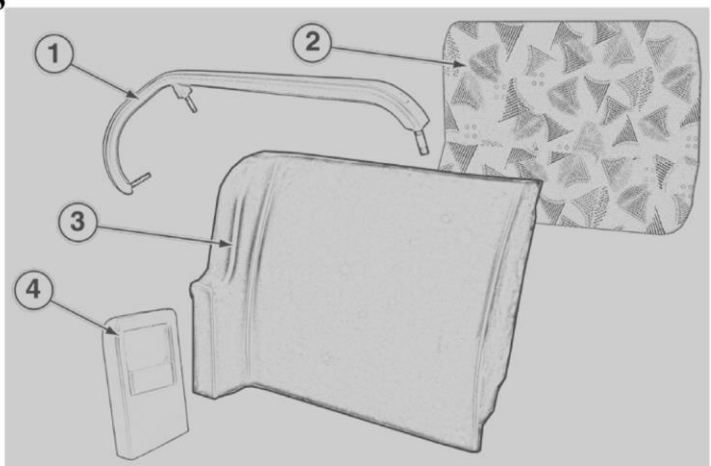
1



2

Section - 4 Interior

3



4

R/S MODESTY PANEL & GRAB HANDLE

ITEM	PART NO.	DESCRIPTION	QTY
5	0416278	Driver's Side Modesty Panel	
6	7	8	9
01	0378619	Grabrail, Driver's Modesty Panel	1
02		Fabric, Modesty Panel	1
03	3371817	Panel, Modesty D/S - SR	1
04	3371816	Panel, Modesty D/S STACKED RAIL	1

10 Fabric Panels are Produced on an "As Call" Basis. Contact your Dealer to Order This Part.

11 Revised: 12/07

12 Page: 4-3

13 ABC 3035 Parts Catalog

CONTENTS

Section 1	Frame & Structure
Section 2	Exterior
Section 3	Interior
Section 4	Electrical
Section 5	Doors
Section 6	Windows
Section 7	Lighting
Section 8	Heating & Cooling
Section 9	Seats
Section 10	Safety & Decals
Section 11	Optional Equipment



CHAMPION
BUS, INC.
Wholly owned subsidiary of Thor Industries, Inc.

SECTION 1:

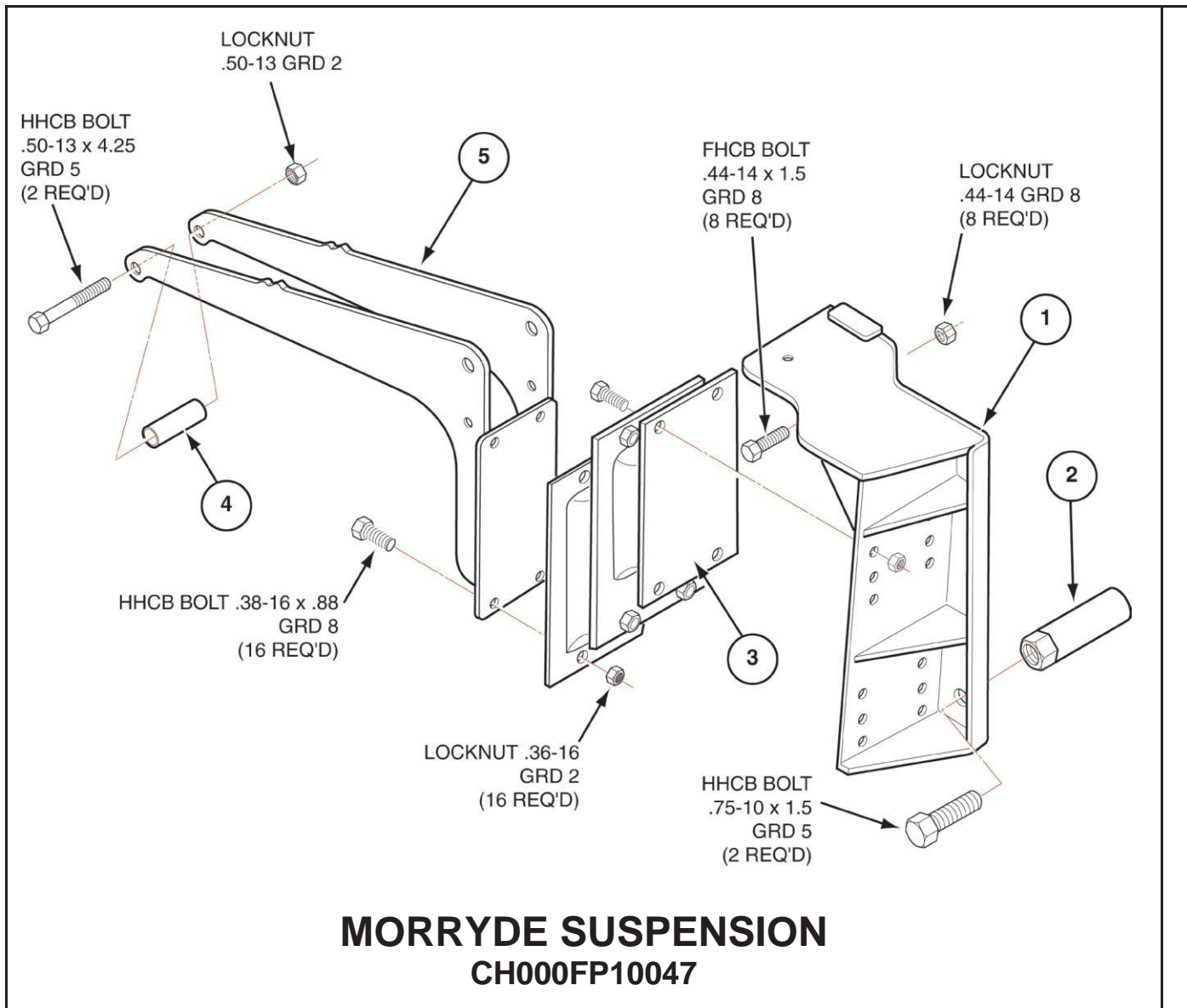
FRAME &

STRUCTURE

PICTURES NOT AVAILABLE AT THIS TIME

**MORRYDE SUSPENSION
0419457**

<i>ITEM</i>	<i>PART NO.</i>	<i>DESCRIPTION</i>	<i>QTY</i>	<i>ITEM</i>	<i>PART NO.</i>	<i>DESCRIPTION</i>	<i>QTY</i>
	0171169	SUSPENSION, MORRYDE F550 (FORD)	1				
NS	0770075	INSULATION, EXHAUST 1/4" SILICA X 12	1				
NS	3974763	TIE WRAP THERMAL 14"	1				



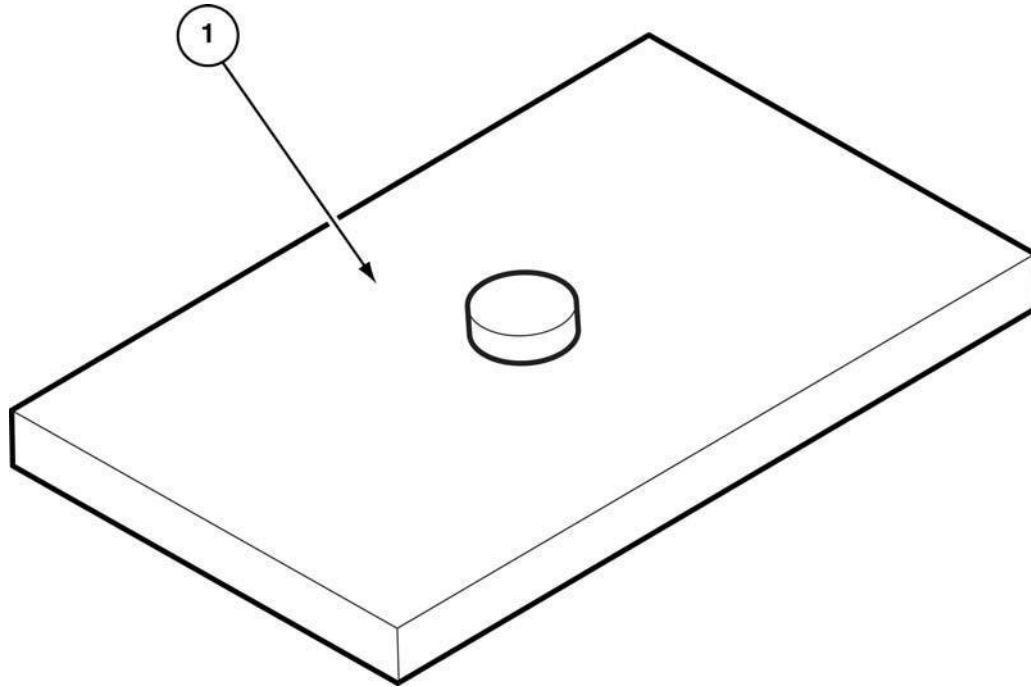
<u>ITEM</u>	<u>PART NO.</u>	<u>DESCRIPTION</u>	<u>QTY</u>	<u>ITEM</u>	<u>PART NO.</u>	<u>DESCRIPTION</u>	<u>QTY</u>
	0170908	SUSPENSION, MORRYDE RUBBER LEAF (FORD)	1				
1	1014662	BRACKET, MORRYDE MAIN	2				
2	1014663	SPACER, NUT MORRYDE	2				
3	1014664	BLOCK, RUBBER SPRING MORRYDE	2				
4	1014665	SPACER, MORRYDE	2				
5	1014666	BRACKET, OUTER MORRYDE	2				
N/S	0374645	TUBE, FLEX (3½" S/S)	A/R				
N/S	4970609	CLAMP, 3½" STRAP BAND S/S	2				
N/S	0377160	SHIM, SPRING FORD .38 THICK HRS	1				

PICTURE NOT AVAILABLE AT THIS TIME

**monroe SUSPenSion for f550
0420350**

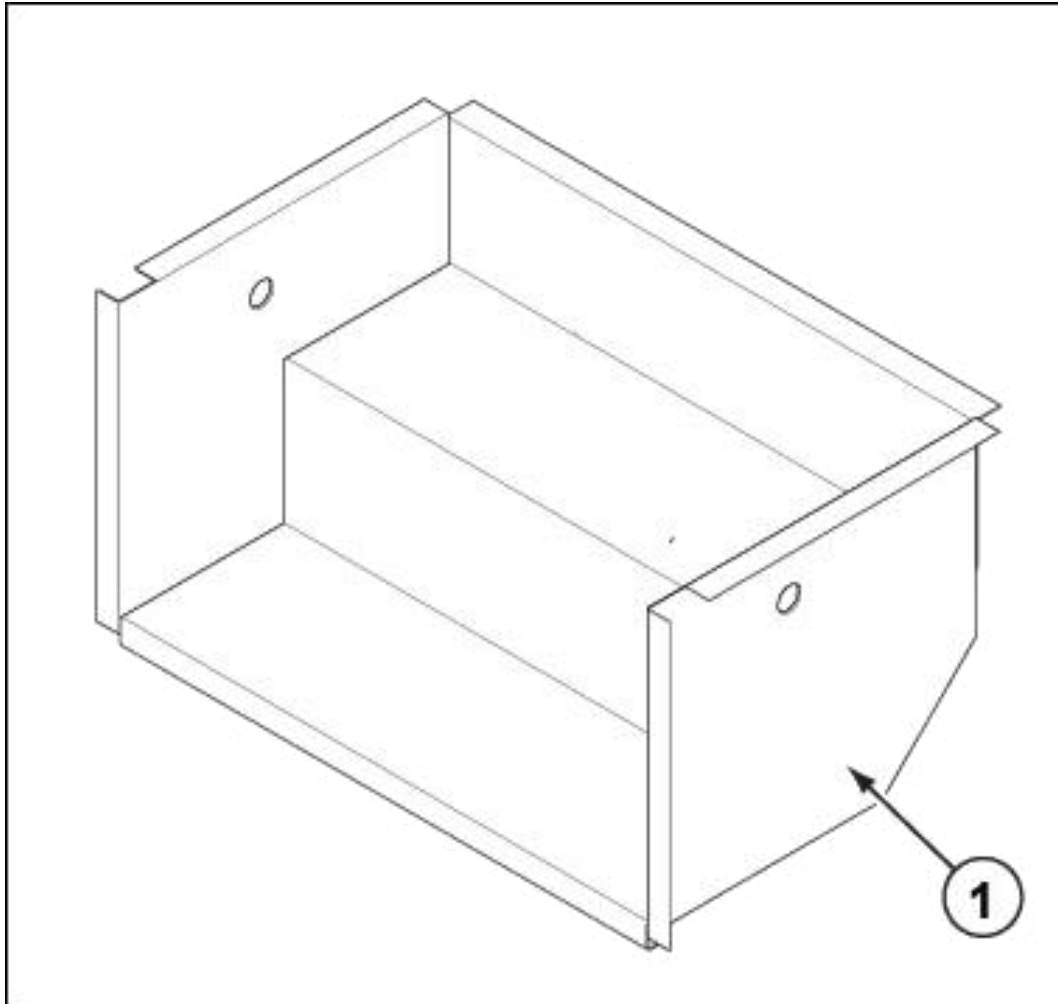
<u>ITEM PART NO. DESCRIPTION</u>	<u>QTY</u>	<u>ITEM PART NO. DESCRIPTION</u>	<u>QTY</u>
01 0171204 Suspension, ir Monroe F550	1		
NS 0770075 Insulation, Exhaust 1/4" Silica x 12	1		
NS 6974763 Tie Wrap Thermal 14"	1		

NOTE: Contact your Parts Representative for Part Numbers and prices.



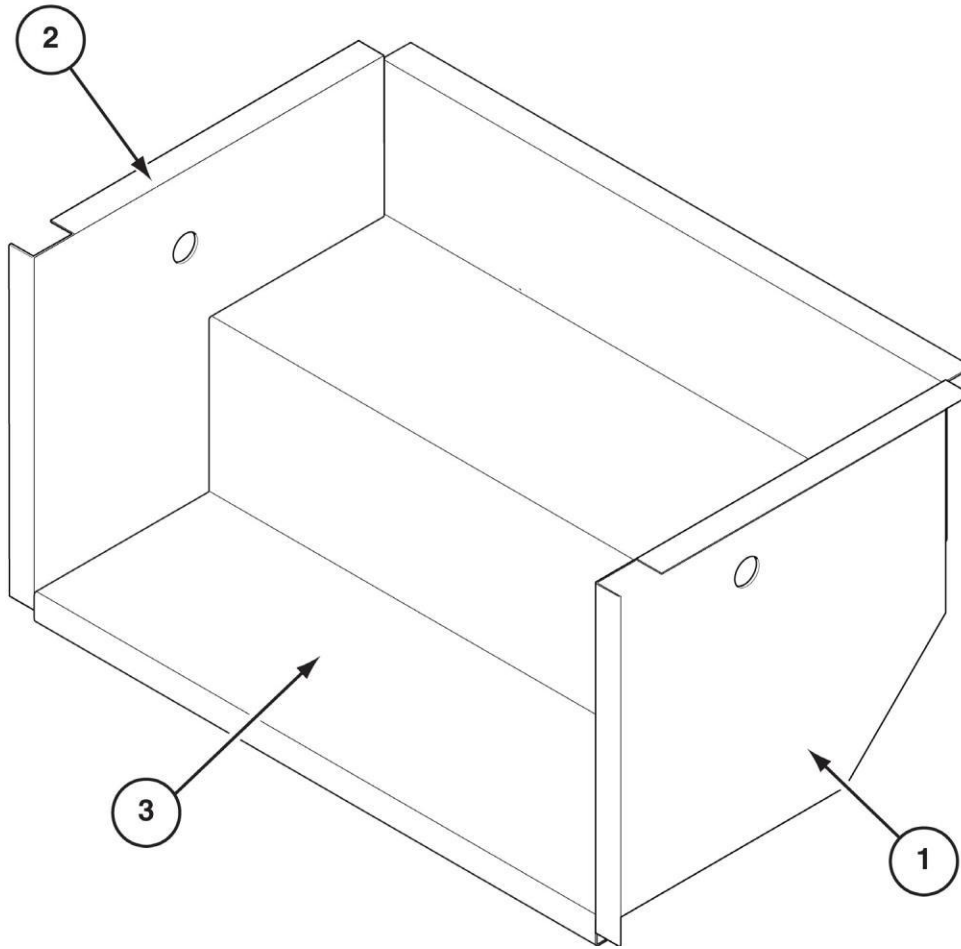
REAR SPRING SPACER (FORD)
0409314

<i>ITEM PART NO. DESCRIPTION</i>	<i>QTY</i>	<i>ITEM PART NO. DESCRIPTION</i>	<i>QTY</i>
01 0377160 SHIM, SPRING (.38 THICK HRS) FORD	2		



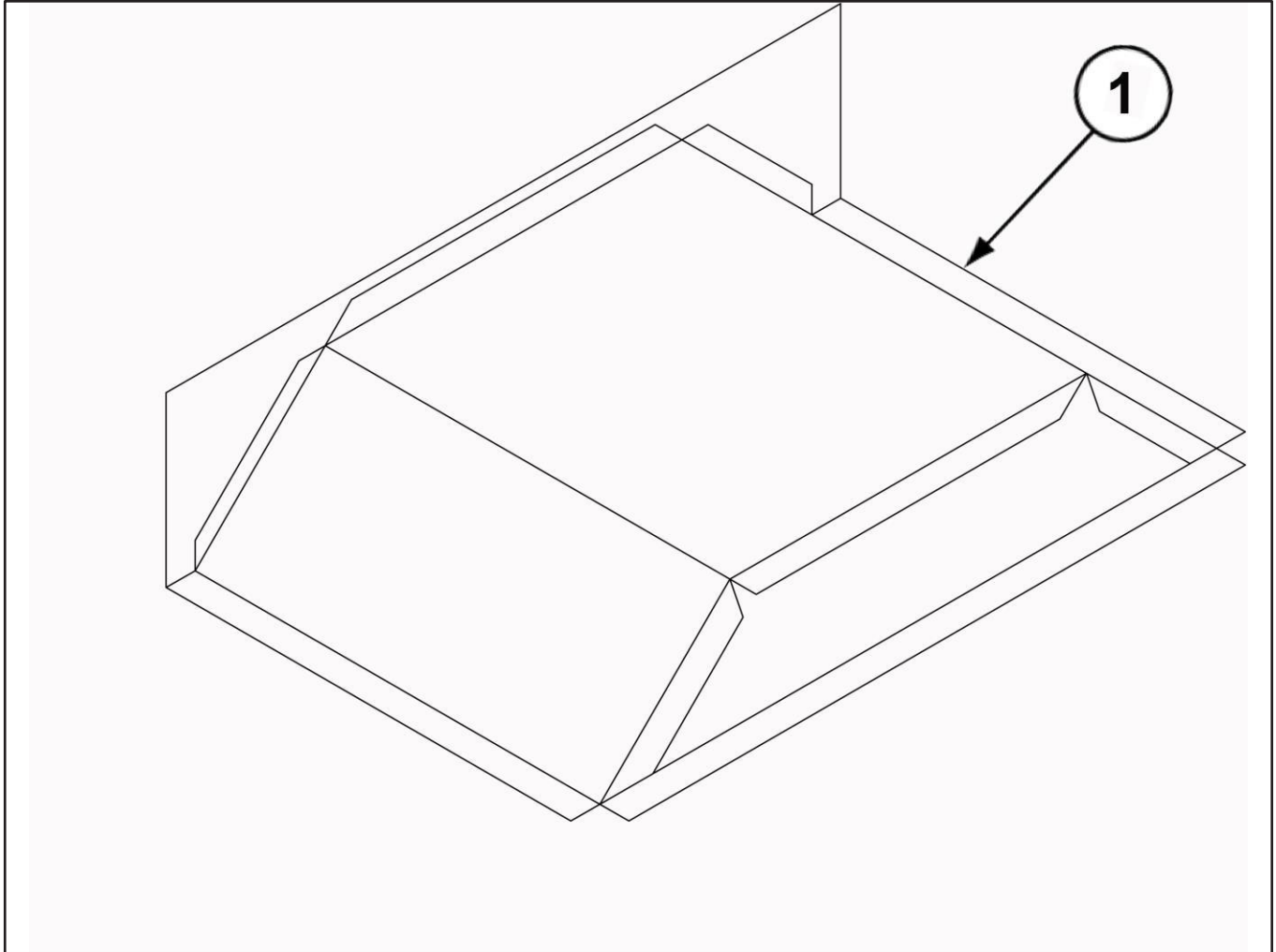
stepwells F550 misc. assemblies

<i>ITEM</i>	<i>PART NO.</i>	<i>DESCRIPTION</i>	<i>QTY</i>	<i>ITEM</i>	<i>PART NO.</i>	<i>DESCRIPTION</i>	<i>QTY</i>
		0419108 Install, Step CH 34¼" Powder Coated				0419679 Install, Stepwell 44.25" 14GA HRS F550	
01	0379277	Step, Assy 34.25" 14GA HRS PC	1	01	0379550	Step, Assy 44.25" 14GA HRS Ford F5501	
NS	0379276	Support, Stepwell Front Step F550	1			0419689 Install, stepwell 34¼" 14 GA S/S F550	
		0419753 Install Stepwell 34¼" 11GA Galvanized		01	0379549	Step, Assy 35¼" 14GA S/S F550	1
01	0379568	Step, Assembly 34¼" 11GA Galv. F550	1				
		0419986 Install, Stepwell 34¼" 11GA Galvanized					
01	0379568	Step, Assembly 34¼" 11GA Galv. F550	1				
		0419170 Install, Step 34¼" 14GA 7.13" Riser					
01	0379370	Step, 34¼" 14Ga, 7.13" Riser F550	1				
		0420388 Install, Stepwell 36.00 11GA F550					
01	0379681	Step, Assy Bode Ford F550 11GA Galv.	1				



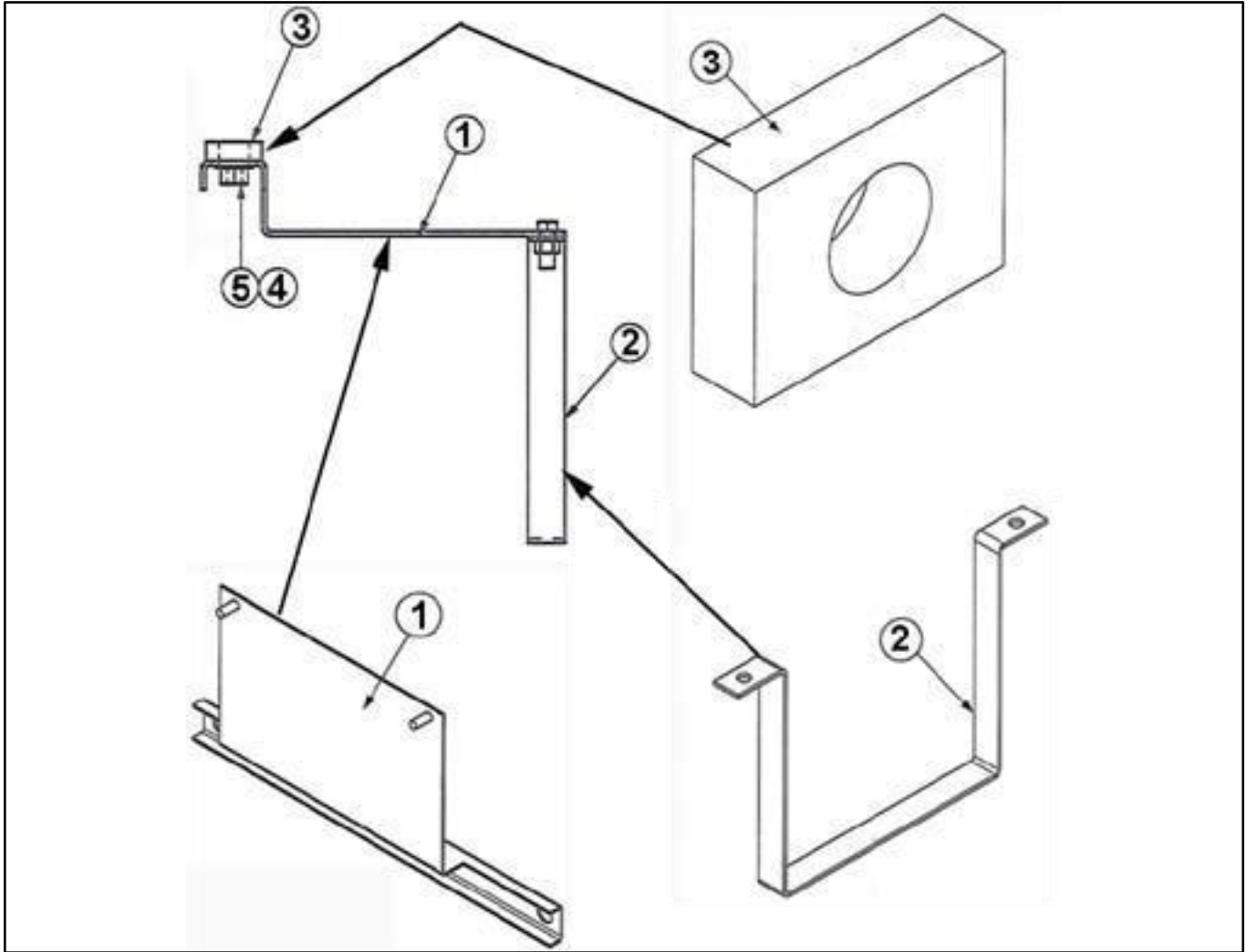
**34 1/4" POWDER COATED STEPWELL (Ch)
0417758**

<i>ITEMPART NO.</i>	<i>DESCRIPTION</i>	<i>ITEMPART NO.</i>	<i>DESCRIPTION</i>
1	0379078 STEP, ASSY 34.25 14GA BIK PWDR GM560	1	
2	SAME AS ABOVE	1	
3	0378776 SEALANT, SILICONE CLEAR	AR	



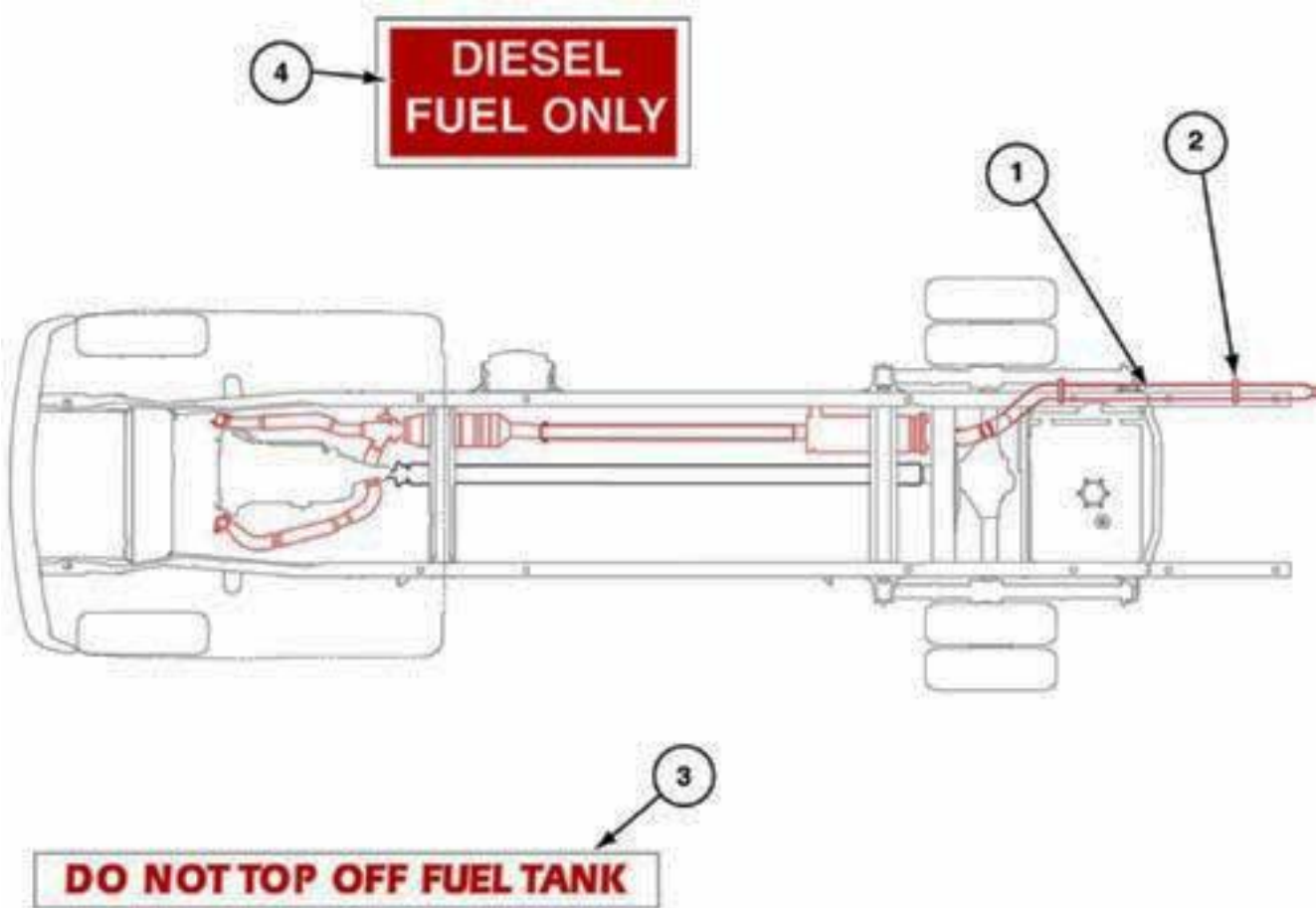
**wheelwell 14 GAIVANIZeD Ch
0379103**

<i>ITEM PART NO. DESCRIPTION</i>	<i>QTY</i>	<i>ITEM PART NO. DESCRIPTION</i>	<i>QTY</i>
01 0379103 Wheelwell, CH/Ford 14GA Galvanized 2			



drive shaft hanger assy - f550
0420732

<i>ITEM</i>	<i>PART NO.</i>	<i>DESCRIPTION</i>	<i>QTY</i>	<i>ITEM</i>	<i>PART NO.</i>	<i>DESCRIPTION</i>	<i>QTY</i>
1	0379739	Hanger, Drive Shaft Mount, F550	1				
2	0377881	Hanger, Driver Shaft Front F550	1				
3	0379738	Spacer, Hanger Drive Shaft F550	2				
4	N/A	3/8 Washer	2				
5	N/A	12mm Hex Nut	2				
NS	N/A	3/8-16 Hex Nut	2				

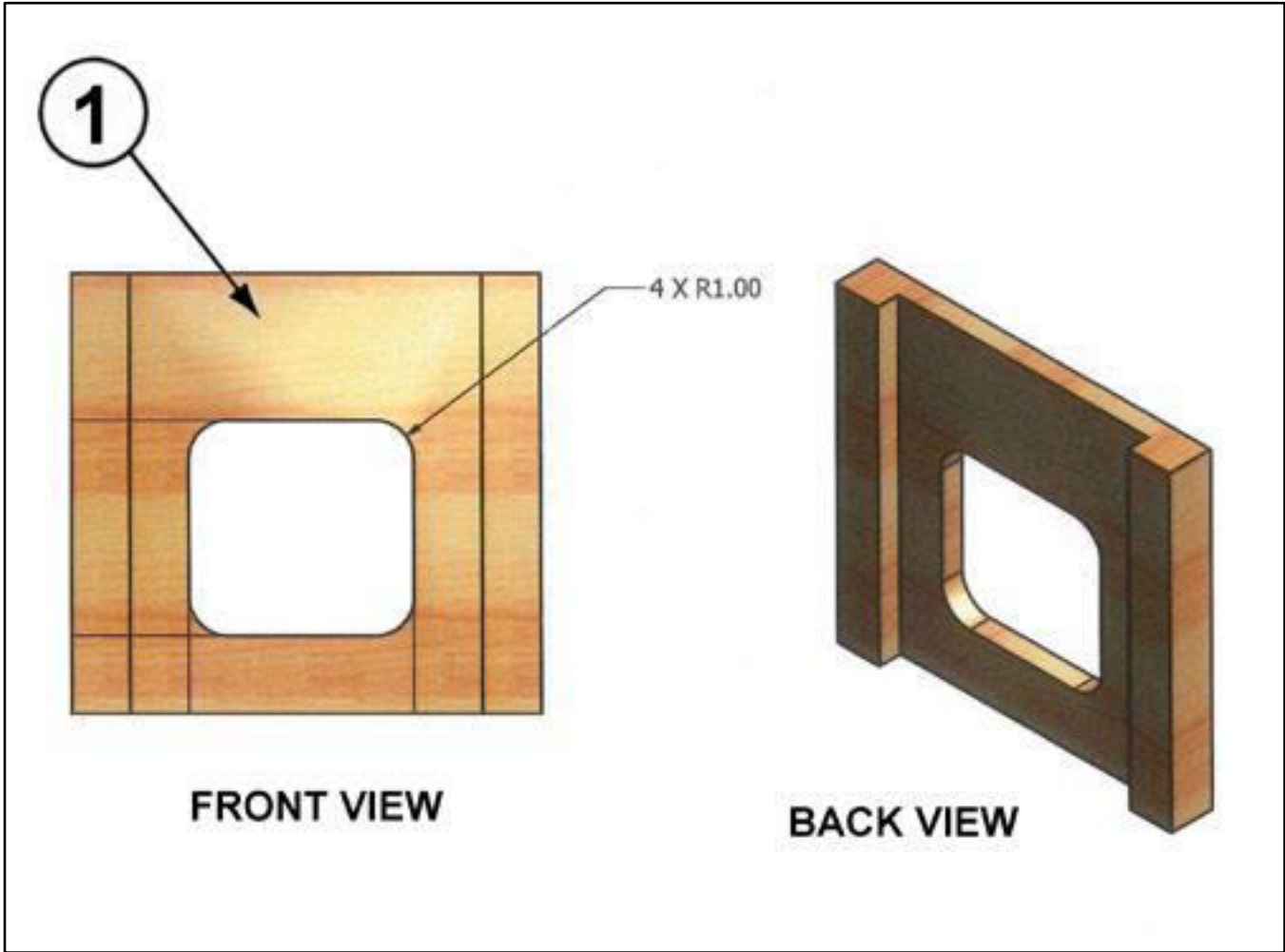


ReaR exit exhaust

FD-000-999-5251

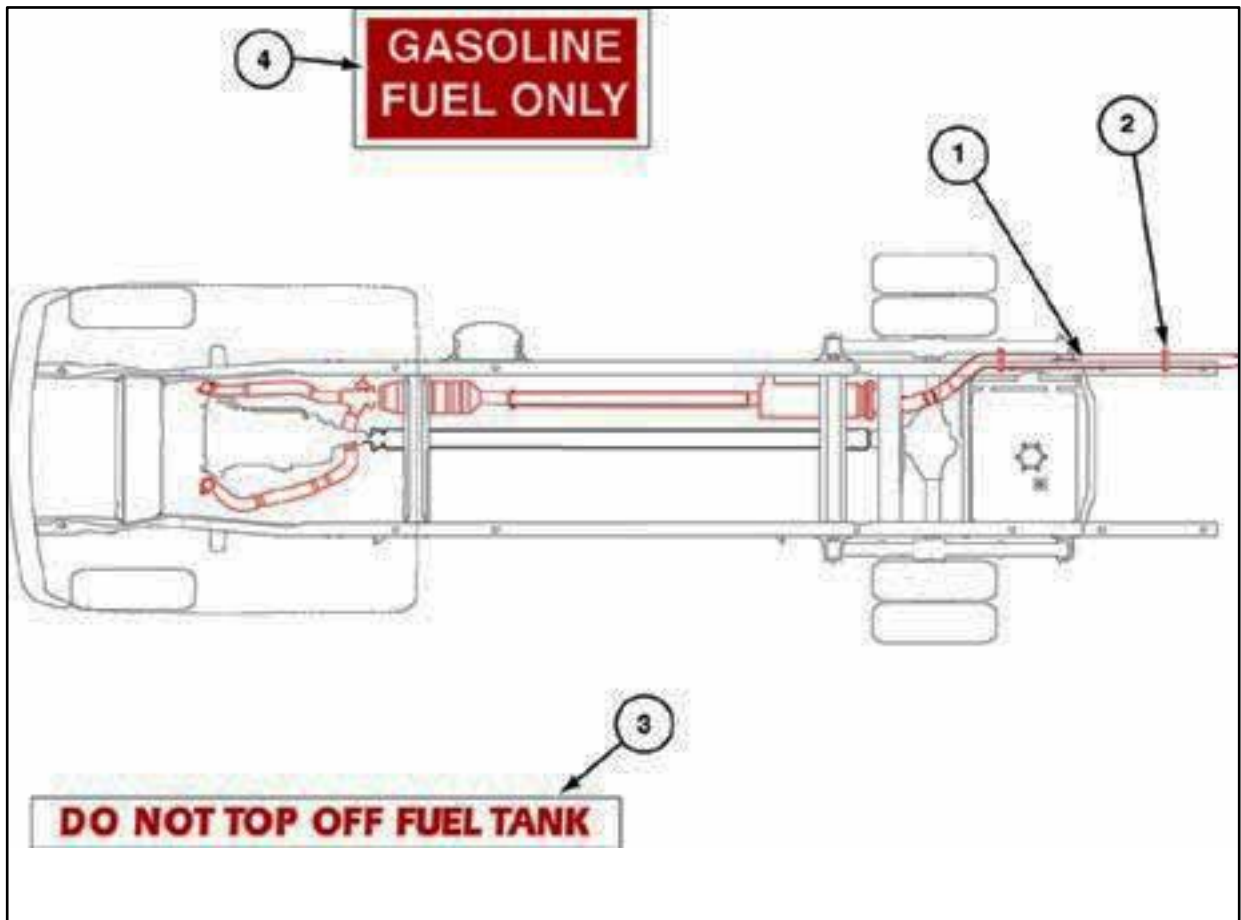
ITEM	PART NO.	DESCRIPTION	QTY	ITEM	PART NO.	DESCRIPTION	QTY
1	0374410	Pipe, Exhaust 3 1/2 x 10Ft Aluminized	2				
2	1570446	Insulator, Rubber 3/8" Exhaust Hanger	2				
02	4970475	Clamp, Muffler 3-1/2"	2				
3	8945016	Decal, DO NOT TOP OFF FUEL TANK	1				
4	8940215	Decal, DIESEL FUEL ONLY	1				
NS	0378788	Rod, Exhaust Support	4				

NOTE: F550 Diesel Chassis comes with a diffuser. This is an OEM part and is not listed here. See your Parts Representative for more information



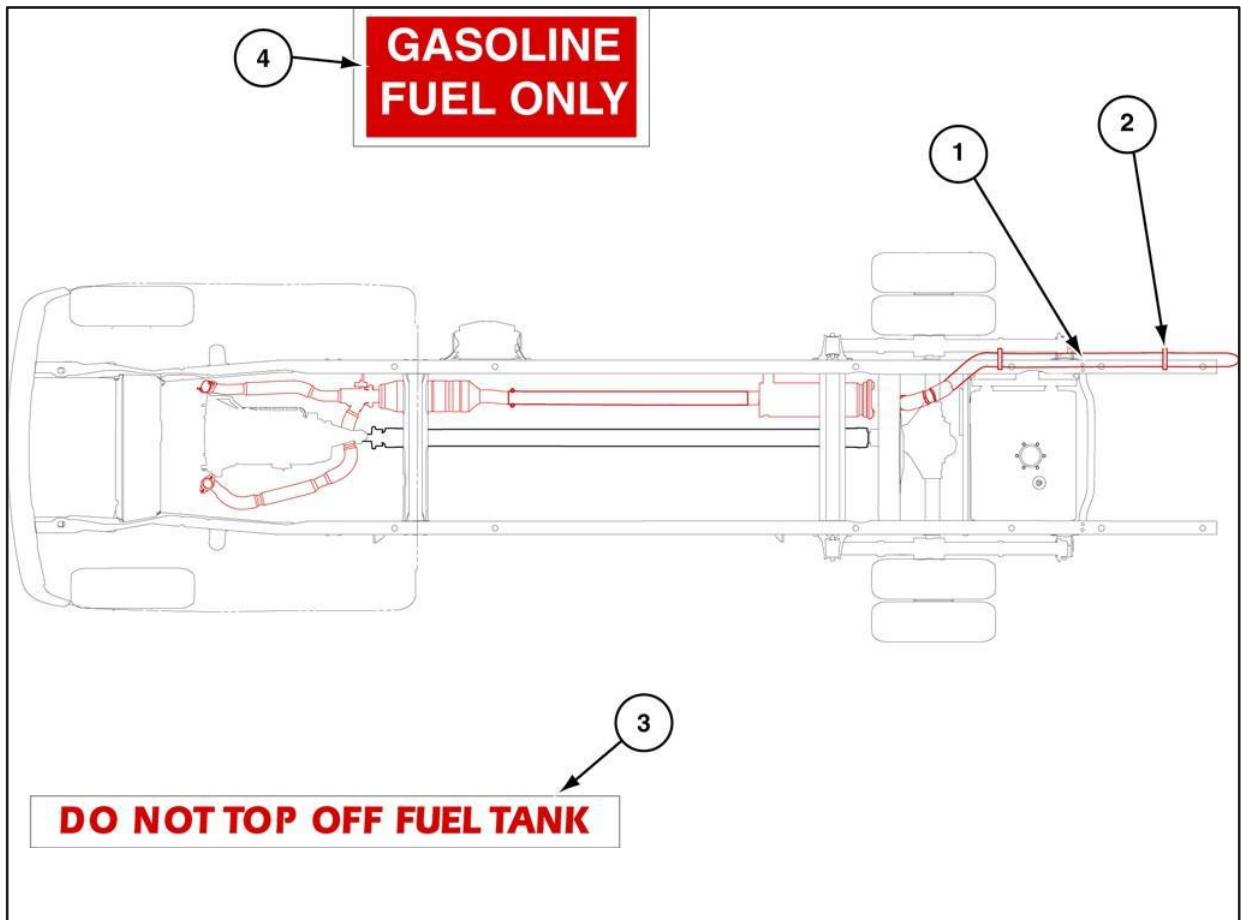
**BACKER, GAS DEF FILLER F-550
0419478**

<i>ITEM</i>	<i>PART NO.</i>	<i>DESCRIPTION</i>	<i>QTY</i>	<i>ITEM</i>	<i>PART NO.</i>	<i>DESCRIPTION</i>	<i>QTY</i>
01	0419478	Backer, Gas Def Filler F-550	1				



exhaust exit rear of bus f-550 gas fD-000-999-5250

<i>ITEM PART NO. DESCRIPTION</i>	<i>QTY</i>	<i>ITEM PART NO. DESCRIPTION</i>	<i>QTY</i>
01 0374410 Pipe, Exhaust 3½" x 10Ft Aluminize	2		
0171170 Pipe, Exhaust 3½" 60° Elbow	1		
02 4970475 Clamp, Muffler 3½"	2		
NS 4970727 Hanger, Exhaust 5" Bar W/Grommet	3		
NS 4970728 Rod, Exhaust Hanger 3/8" x 15"	3		
03 8945016 Decal, "Do Not Top Off Fuel Tank"	1		
04 8940348 Decal, "Gasoline Fuel Only"	1		



REAR EXIT EXHAUST - GAS

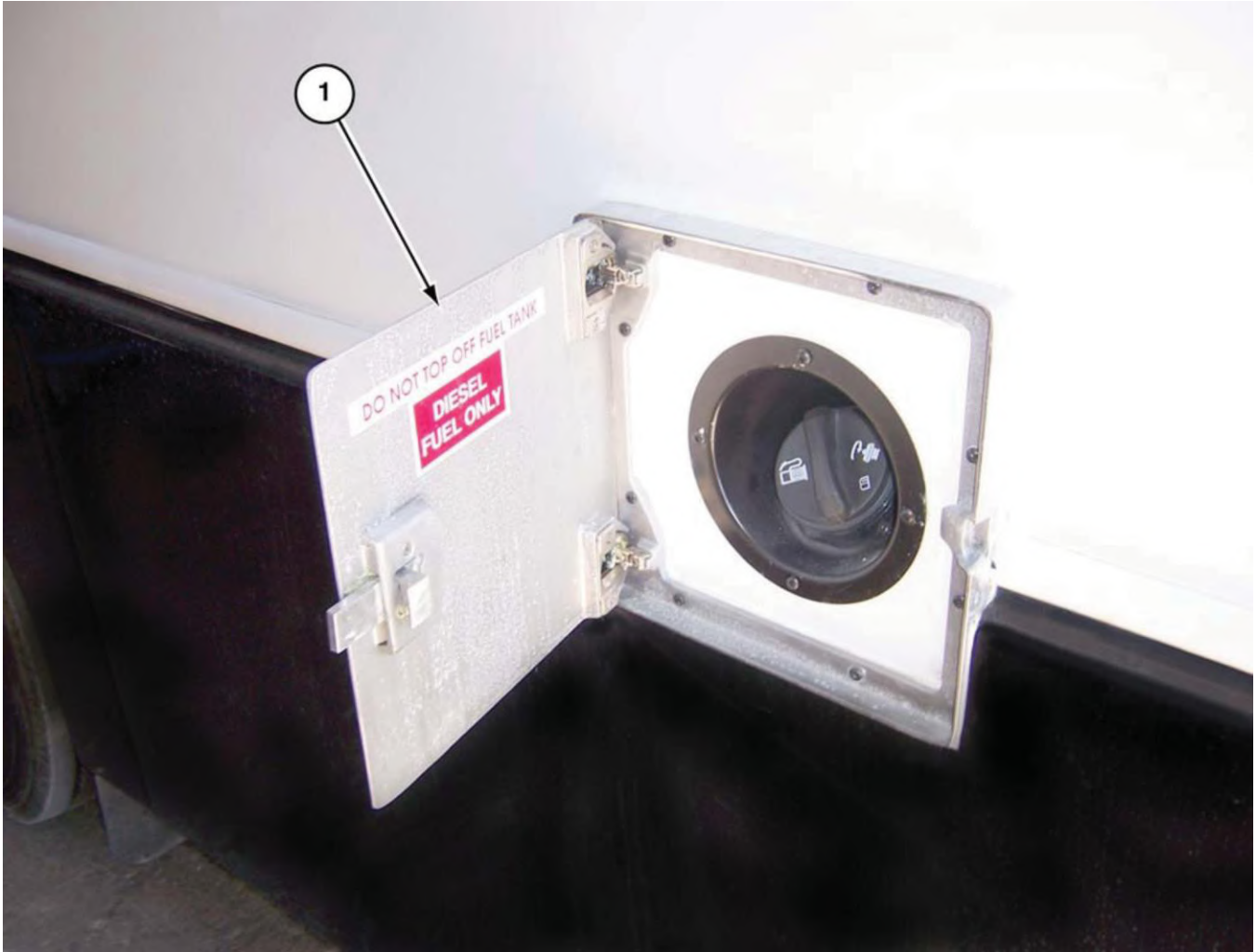
CH-280-999-5250, 0402762, 0401240

<i>ITEM PART NO. DESCRIPTION</i>	<i>QTY</i>	<i>ITEM PART NO. DESCRIPTION</i>	<i>QTY</i>
CH-000-999-5250 Exhaust Exit Rear of Bus		0401240 Pipe, Tail Extension Crusader 3"	
NS 0375251 Bracket, Emission Canister Support	1	01 0374284 Pipe, Exhaust 3" Alumized 10'	1
NS 0375257 Mount, Vacuum Canister 97 Ford Gas	1		
0402762 Install, Tail Pipe V10, V8 Gas			
2 4970424 Clamp, Muffler 3" HD	3		
NS 4970426 Hanger, Tail Pipe	2		
3 8945016 Decal, "Do Not Top Off Fuel Tank"	1		
4 8940348 Decal, "Gasoline Fuel Only"	1		



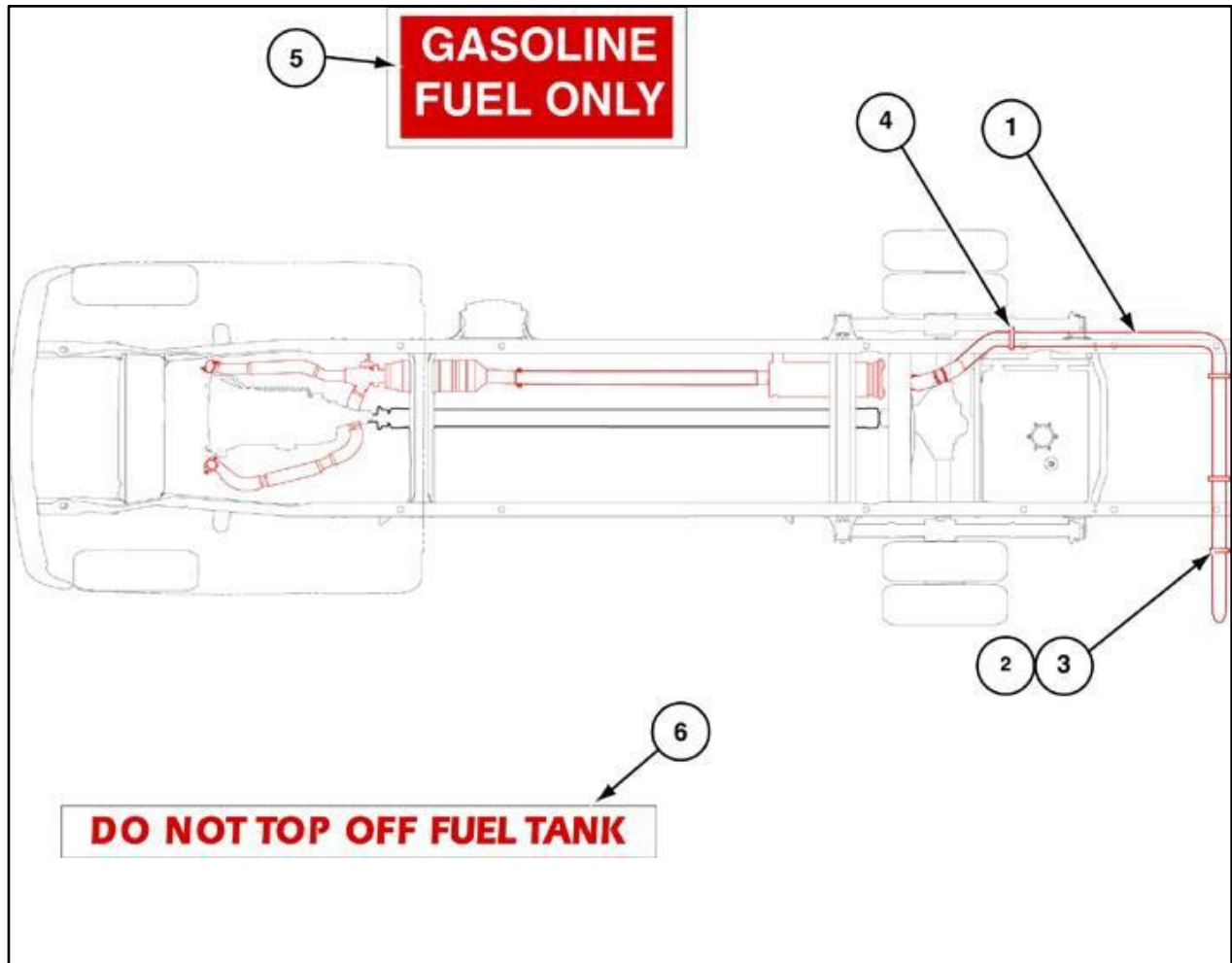
gas fill coverf-550
0419462

<i>ITEM</i>	<i>PART NO.</i>	<i>DESCRIPTION</i>	<i>QTY</i>	<i>ITEM</i>	<i>PART NO.</i>	<i>DESCRIPTION</i>	<i>QTY</i>
01	3371963	Cover, Gas Fill W/90° Angle	1				
NS	0171167	Hose, Fuel Fill 34"	1				



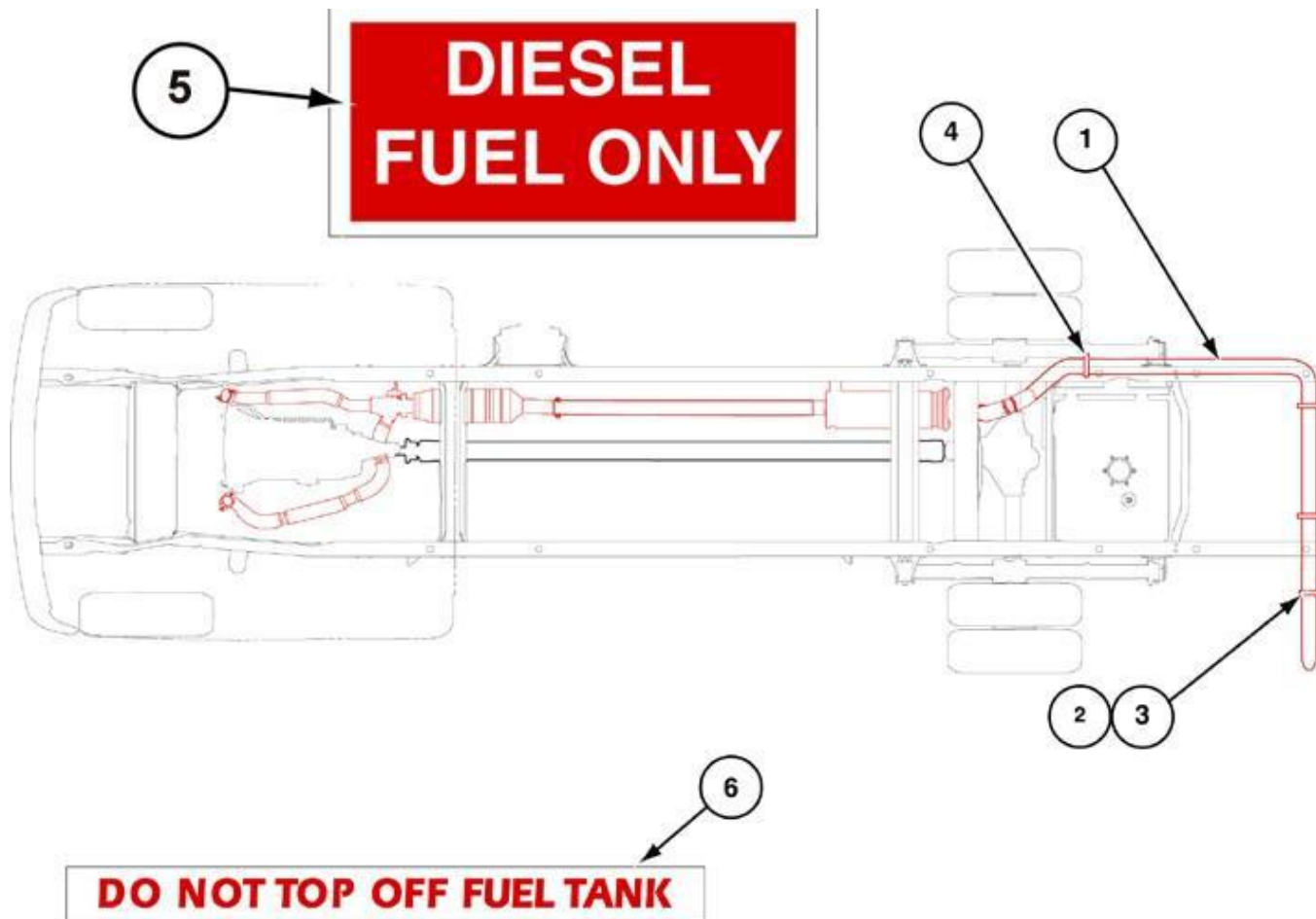
fuel fill door s/s - international
0414085 rev-a

<i>ITEM PART NO. DESCRIPTION</i>	<i>QTY</i>	<i>ITEM PART NO. DESCRIPTION</i>	<i>QTY</i>
01 0378203 Door, Gas Fill S/S Brushed Finish	1		
NS 0378913 Tube, Gas Fill Extension 14.63	1		
NS 0170519 Bezel, Gas Fill (OEM)	1		



street side exhaust - gas
Ch00FF14047 - Ch00FP14047 - Ch-000-900-5252

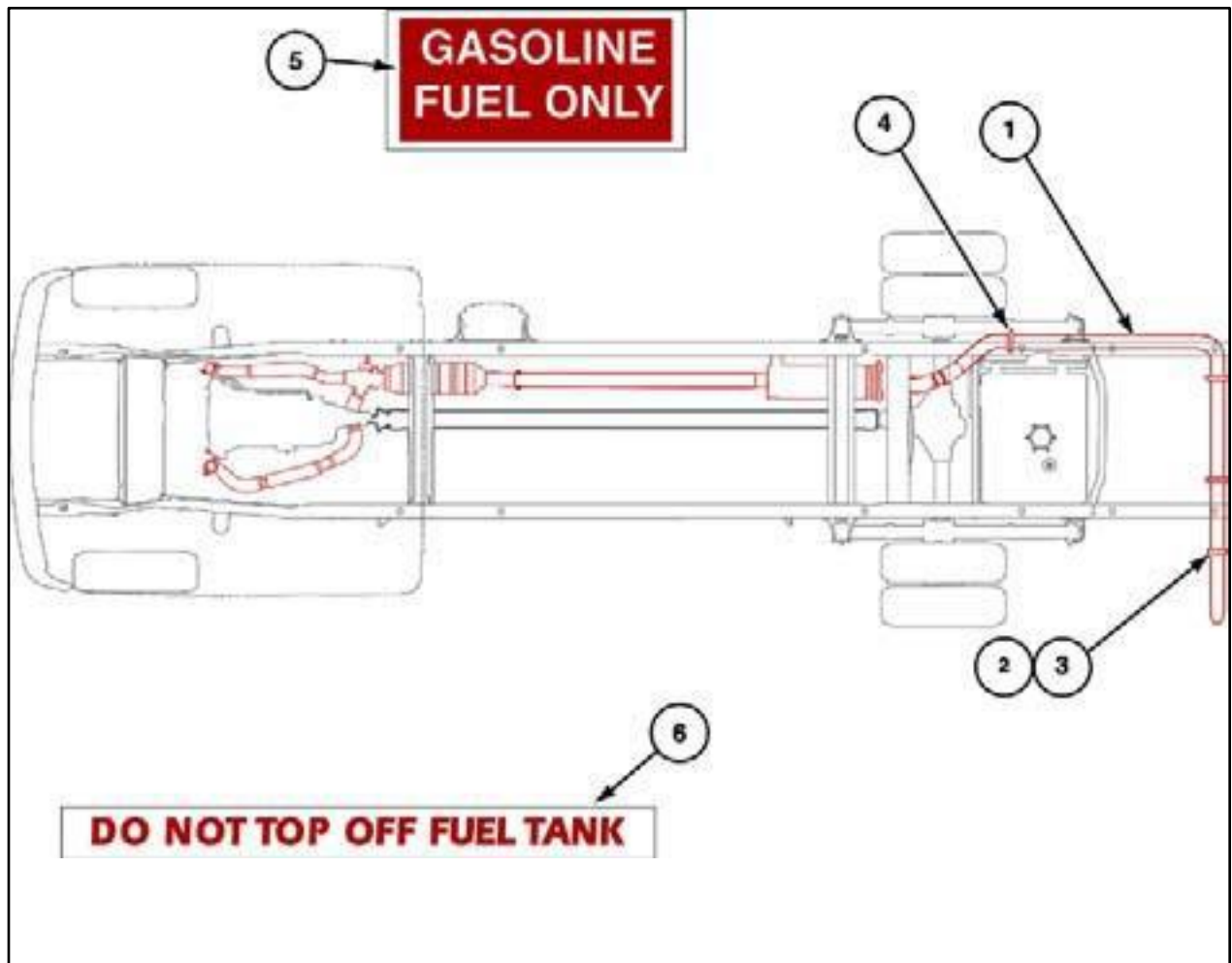
<i>ITEM PART NO. DESCRIPTION</i>	<i>QTY</i>	<i>ITEM PART NO. DESCRIPTION</i>	<i>QTY</i>
1 0374284 Pipe, Exhaust 3" Alumized 10'	A/R		
2 4970426 Hanger, Tail Pipe	3		
03 4970424 Clamp, Muffler 3" H/D	3		
04 0341735 Hanger, Exhaust (1½ x 12")	1		
5 8940348 Decal, Gasoline Only	1		
6 8945016 Decal, Do Not Top Off Fuel Tank	1		



street side exhaust - diesel

ch000fu14047 - 0403497

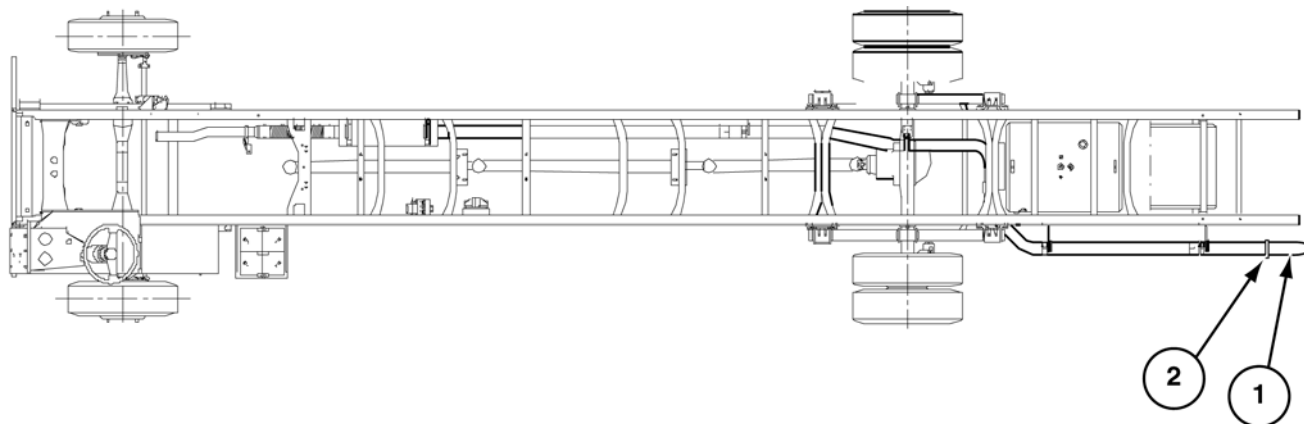
<i>ITEM PART NO. DESCRIPTION</i>	<i>QTY</i>	<i>ITEM PART NO. DESCRIPTION</i>	<i>QTY</i>
1 0374410 Pipe, Exhaust 3-1/2" x 10' Aluminize	1		
2 4970426 Hanger, Tail Pipe	3		
03 4970475 Clamp, Muffler 3-1/2"	5		
04 0341735 Hanger, Exhaust (1½ x 12")	1		
5 8940215 Decal, Diesel Fuel Only	1		
6 8945016 Decal, Do Not Top Off Fuel Tank	1		



street side exhaust - gas

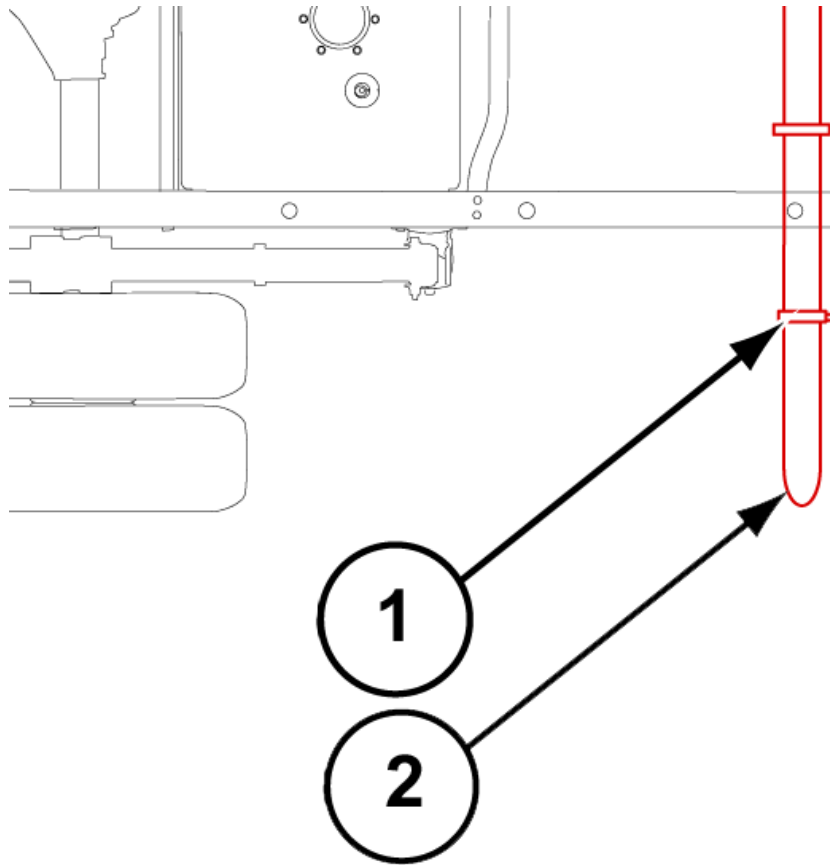
Fd-000-999-5252

<i>ITEM PART NO. DESCRIPTION</i>	<i>QTY</i>	<i>ITEM PART NO. DESCRIPTION</i>	<i>QTY</i>
1 0170946 Pipe, Exhaust 3.5" x 90° Elbow	1	5 8940348 Decal, Gasoline Only	1
2 0374410 Pipe, Exhaust 3.5 x 10' Aluminized	2	6 8945016 Decal, Do Not Top Off Fuel Tank	1
04 0171170 Pipe, Exhaust 3.5" 60°	1		
02 4970727 Hanger, Exhaust 5" Bar W/Grommet	2		
03 4970475 Clamp, Muffler 3.5"	AR		
NS 4970728 Rod, Exhaust Hanger 3/8" x 15"	3		



EXHAUST TURN DOWN CT-000-900-5252

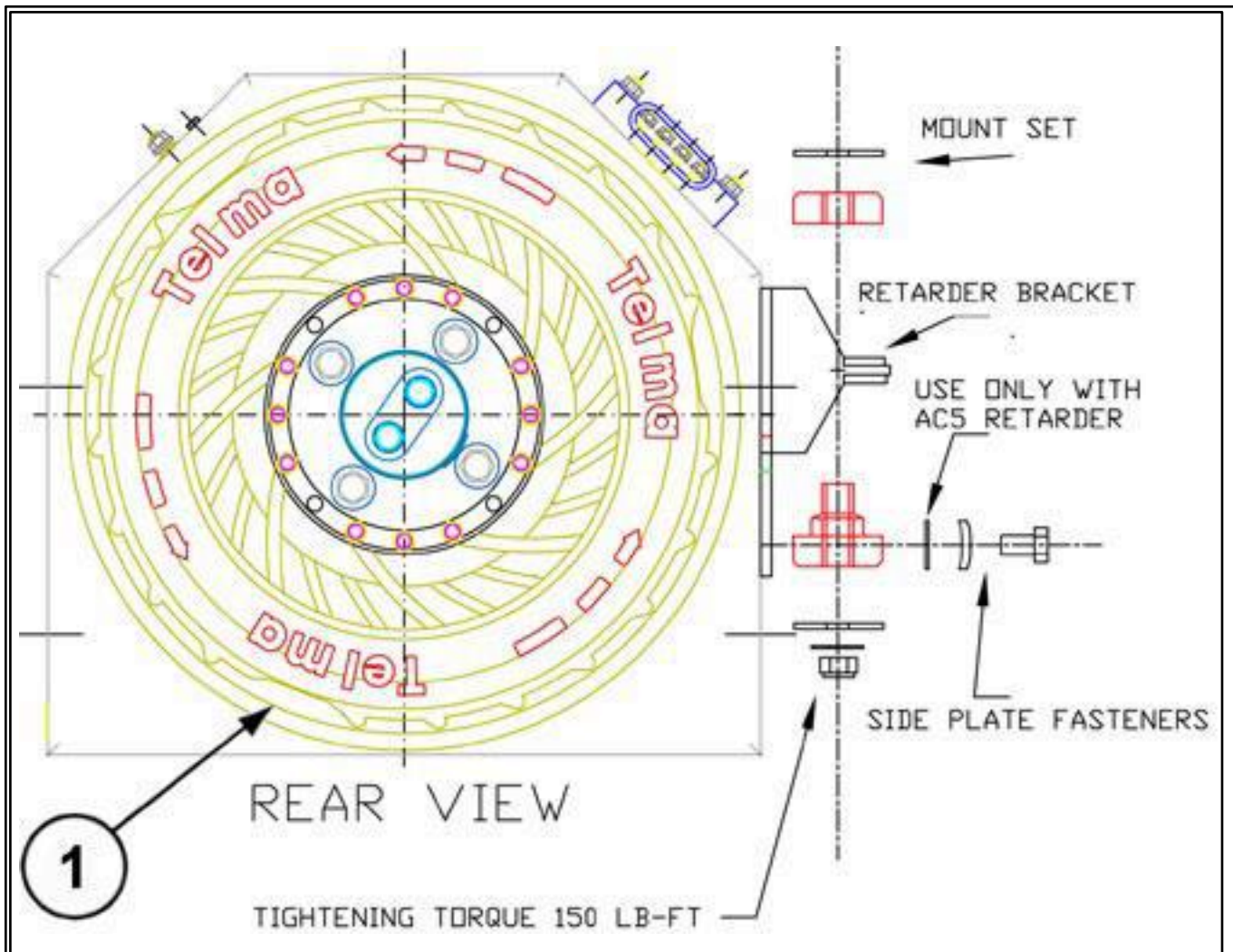
<i>ITEM PARTNO. DESCRIPTION</i>	<i>QTY</i>	<i>ITEM PARTNO. DESCRIPTION</i>	<i>QTY</i>
01 0374410 PIPE, EXHAUST(3½ x 10') ALUMINIZED	A/R		
02 4970475 CLAMP, MUFFLER (3½)	1		



Exhaust turn down

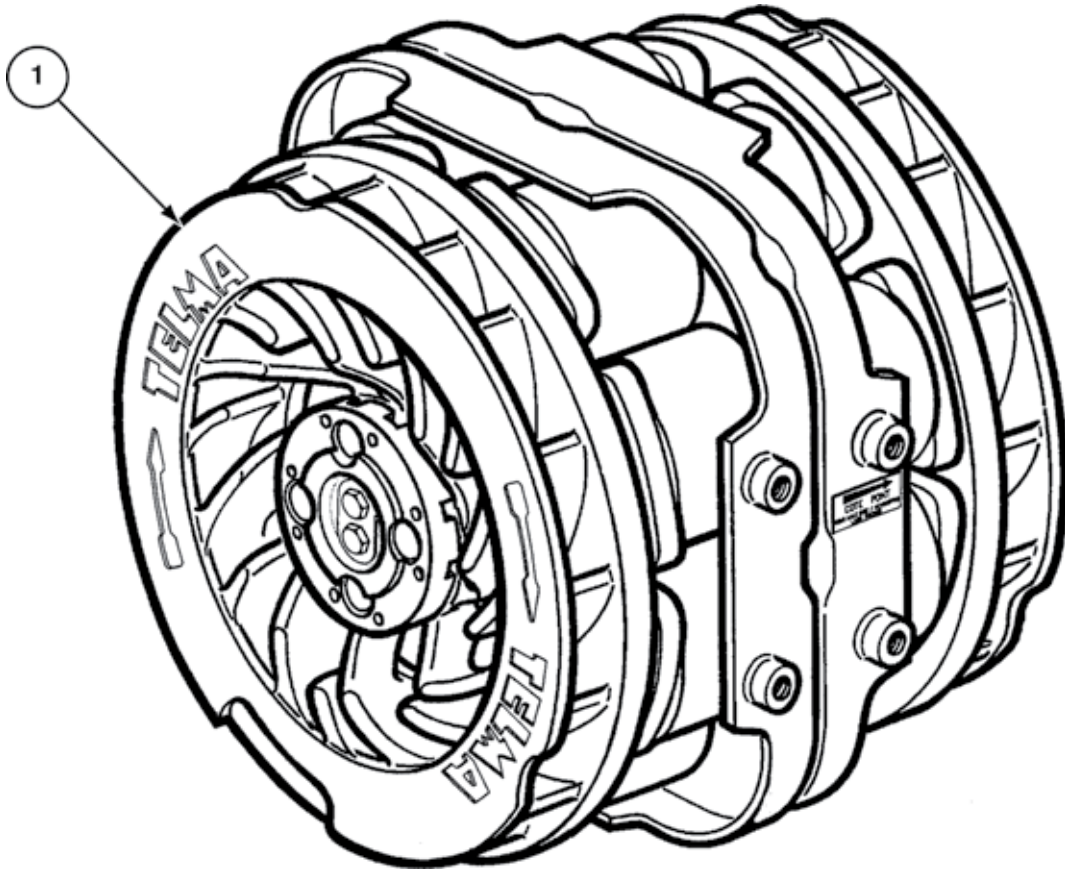
CH-000-900-5252G, CH000GU15252

<i>ITEM PART NO. DESCRIPTION</i>	<i>QTY</i>	<i>ITEM PART NO. DESCRIPTION</i>	<i>QTY</i>
01 4970424 Clamp, Muffler 3"	1		
02 0374410 Pipe, Exhaust 3 - 1/2"	1		



telma brake retarder (f550) 0419605

ITEM	PART NO.	DESCRIPTION	QTY	ITEM	PART NO.	DESCRIPTION	QTY
01	0171172	Kit, Retarder Brake Ford F550 AD50-90	1				
N/S	0171173	Flange, Yolk 1480 Series 3-2-499 158	2				
N/S	0377316	Pipe, Exhaust 3½" W/4" Offset	2				
N/S	4970475	Clamp, Muffler 3½"	4				



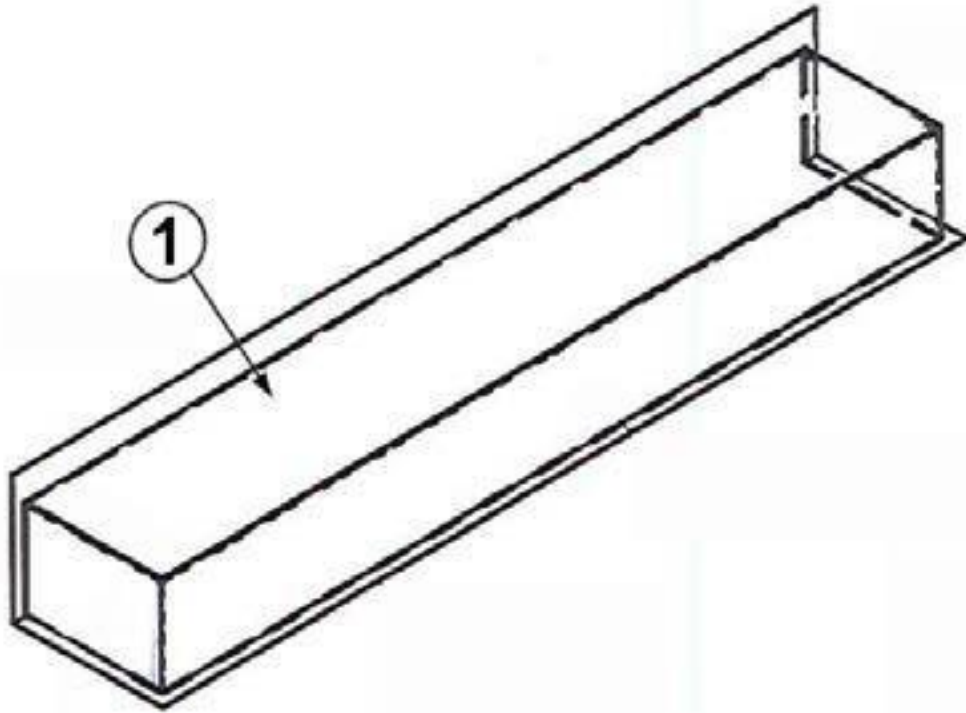
telma brake retarder
CH-250-900-2942

<i>ITEM PART NO. DESCRIPTION</i>	<i>QTY</i>	<i>ITEM PART NO. DESCRIPTION</i>	<i>QTY</i>
01 0170403 Retarder, CC-50	1		
N/S 0170404 Retarder, Kit E-350 x 176"	1		
N/S 0170919 Flange, Yoke Telma Retarder E-450	2		
N/S 0340992 Tube, 16 GA x 1.5 x 1.5 x 24'	A/R		



GROMMETS - FLOOR PASS THROUGH CX0000020128

<i>ITEM</i>	<i>PART NO.</i>	<i>DESCRIPTION</i>	<i>QTY</i>	<i>ITEM</i>	<i>PART NO.</i>	<i>DESCRIPTION</i>	<i>QTY</i>
01	3971515	Grommet, 2-1/8" x 1-3/16" ID	3				

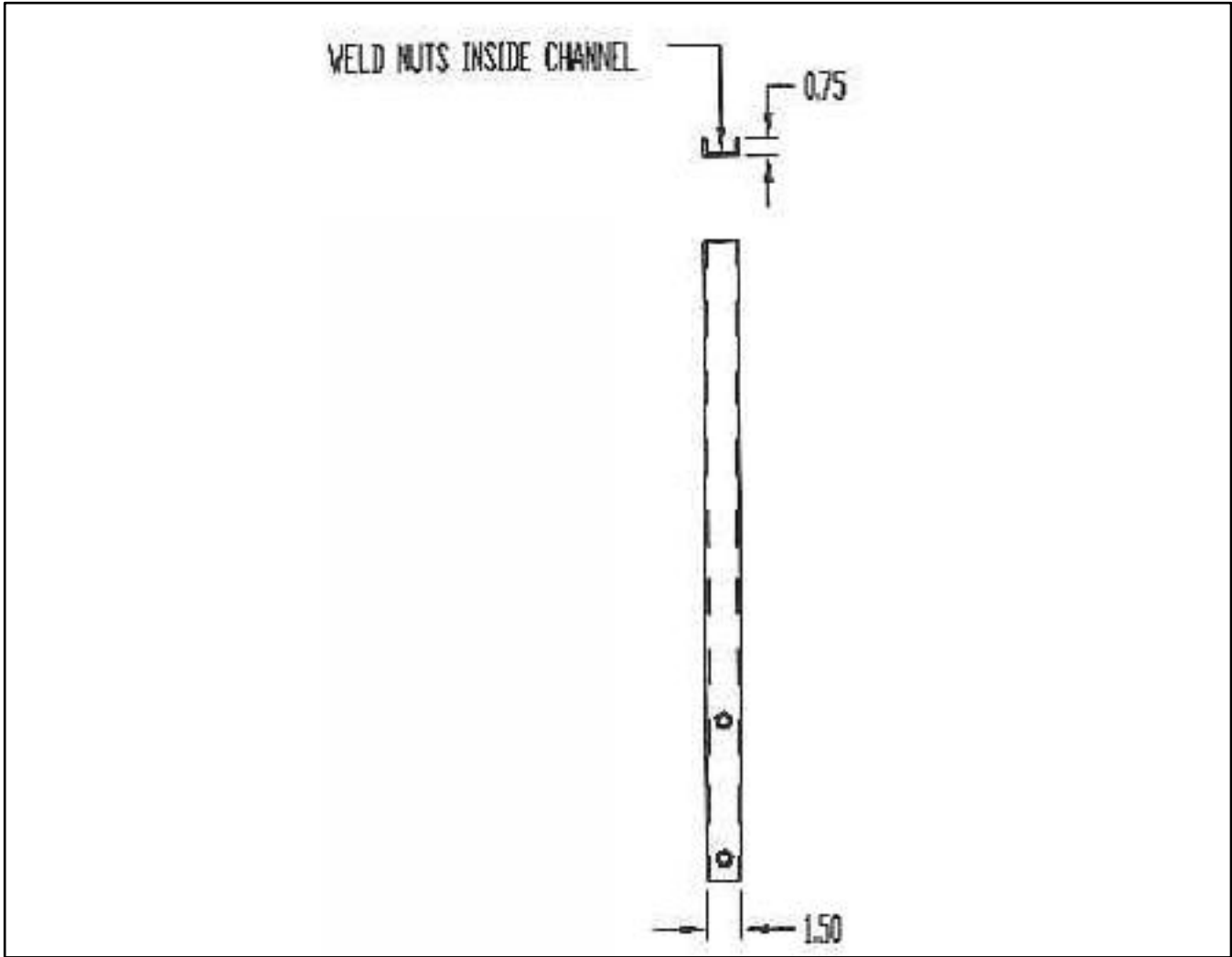


**wheelwell for foldaway riser
0379812 (rev-a)**

<i>ITEM PART NO. DESCRIPTION</i>	<i>QTY</i>	<i>ITEM PART NO. DESCRIPTION</i>	<i>QTY</i>
----------------------------------	------------	----------------------------------	------------

01 0379812 Wheelwell, 60 x 11 x 7 Riser Foldaway Seat	1
---	---

NOTE: REV-A - Added 1/2" to width of riser to give more clearance.



**closure dc (5" x 8¹/₄") W/gasket
0422224**

<u>ITEM</u>	<u>PART NO.</u>	<u>DESCRIPTION</u>	<u>QTY</u>	<u>ITEM</u>	<u>PART NO.</u>	<u>DESCRIPTION</u>	<u>QTY</u>
01	3976063	Closure, DC)5 x 8.25") W/Gasket	1				

NOTE: This is prep for customer installed ski rack.

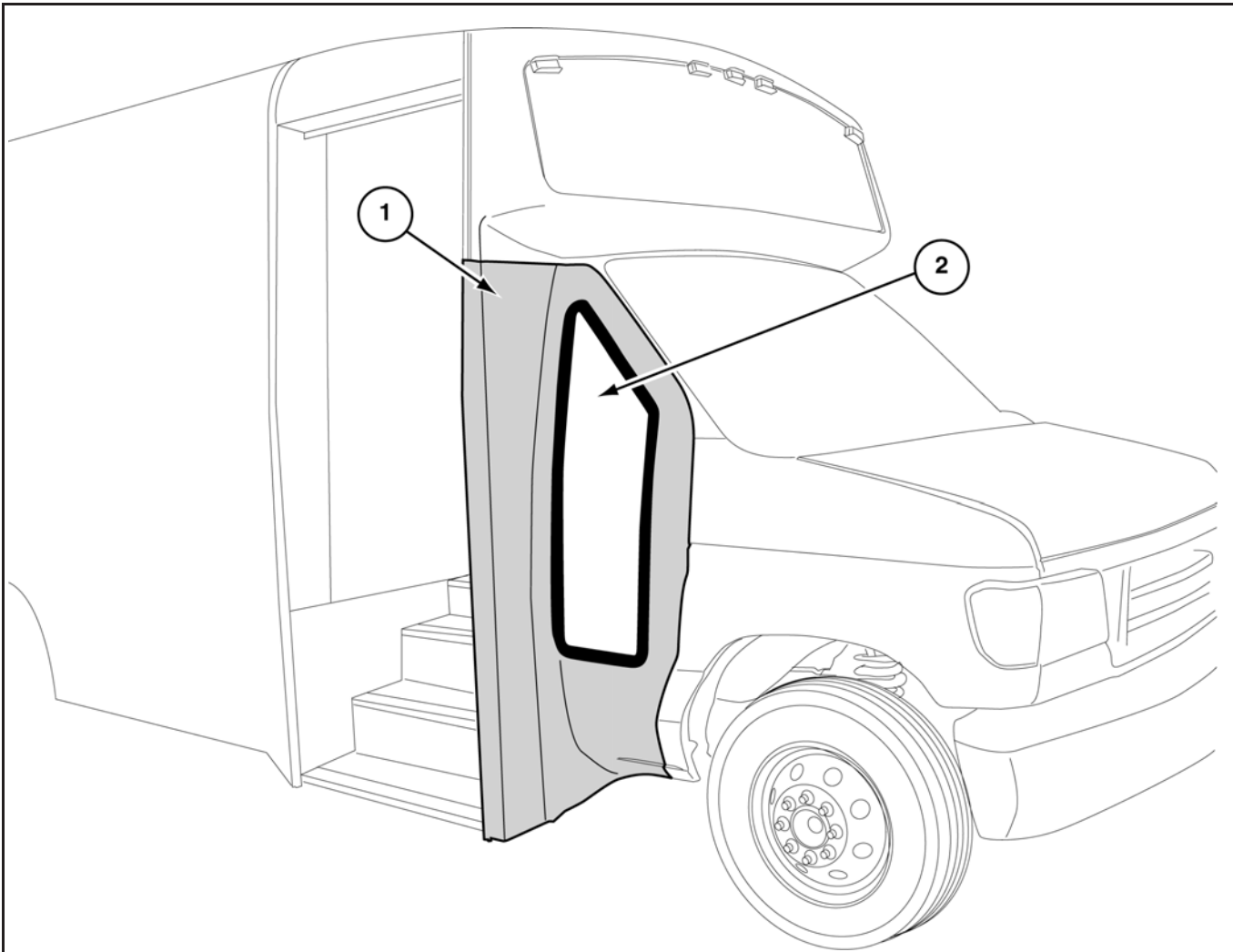


**CHAMPION
BUS, INC.**

Wholly owned subsidiary of Thor Industries, Inc.

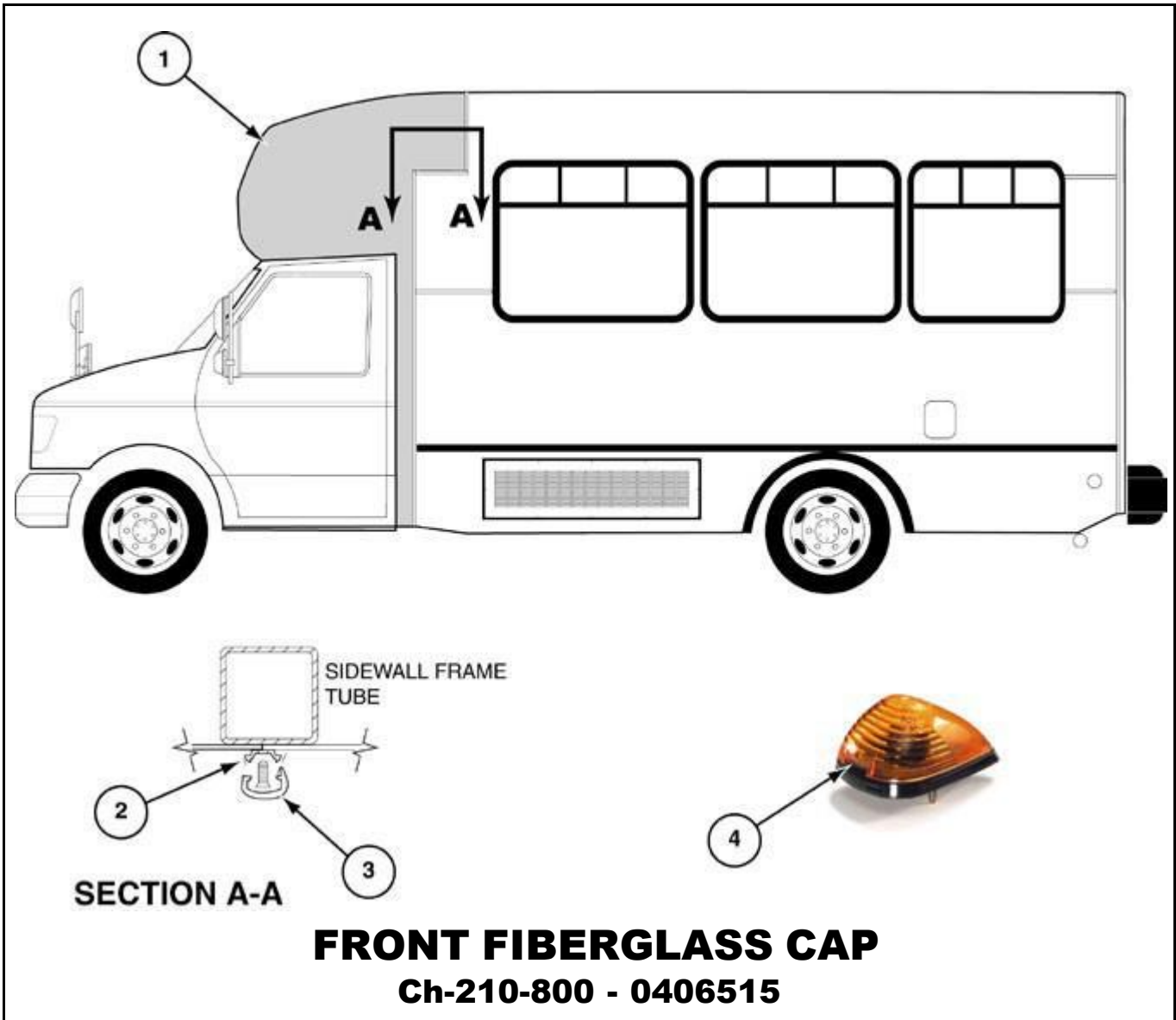
SECTION 2:

EXTERIOR TRIM

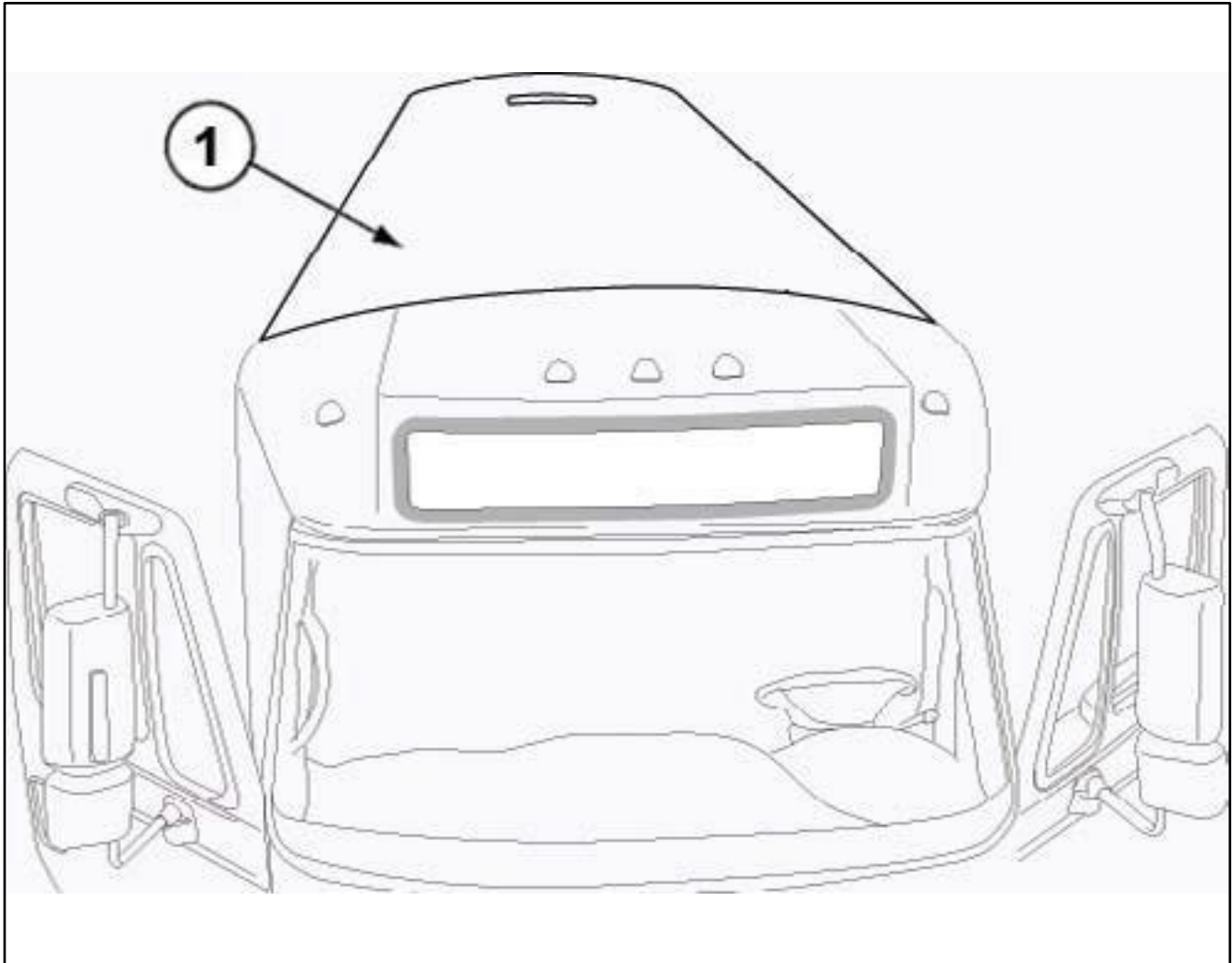


**R/H FIBERGLASS ENTRYWAY
CH-210-800**

<i>ITEM PARTNO. DESCRIPTION</i>	<i>QTY</i>	<i>ITEM PARTNO. DESCRIPTION</i>	<i>QTY</i>
1 3371205 ENTRYWAY, RH CHALLENGER	1		
2 5970090 WINDOW, WING	1		
N/S 0371542 BRACE, CAB TO BODY	1		

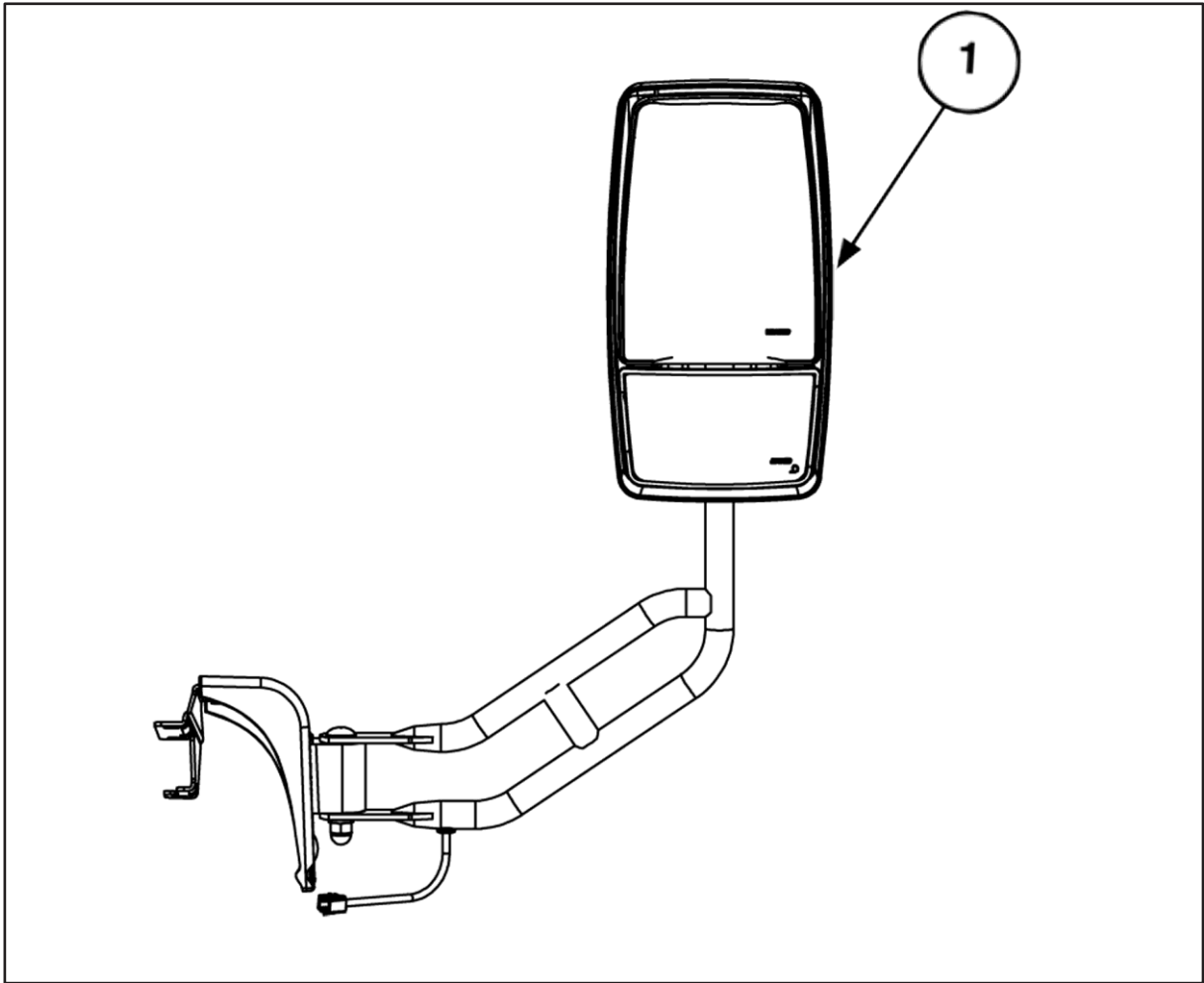


ITEM	PART NO.	DESCRIPTION	QTY	ITEM	PART NO.	DESCRIPTION	QTY
1	3371193	CAP, FRONT FIBERGLASS	1				
2	4570101	TRACK, RVL ALUMINUM TRIM (12') T6	A/R				
3	3342037F	COVER, RVL (200' ROLL)	A/R				
4	3972999	LIGHT, CAB CLEARANCE (25062Y)	5				
N/S	3971772	WIRE HARNESS, FRONT CLEARANCE LIGHTS	1				
N/S	8971252	TAPE, SEALANT 25MM x 10M 4412N "OBS"	1				



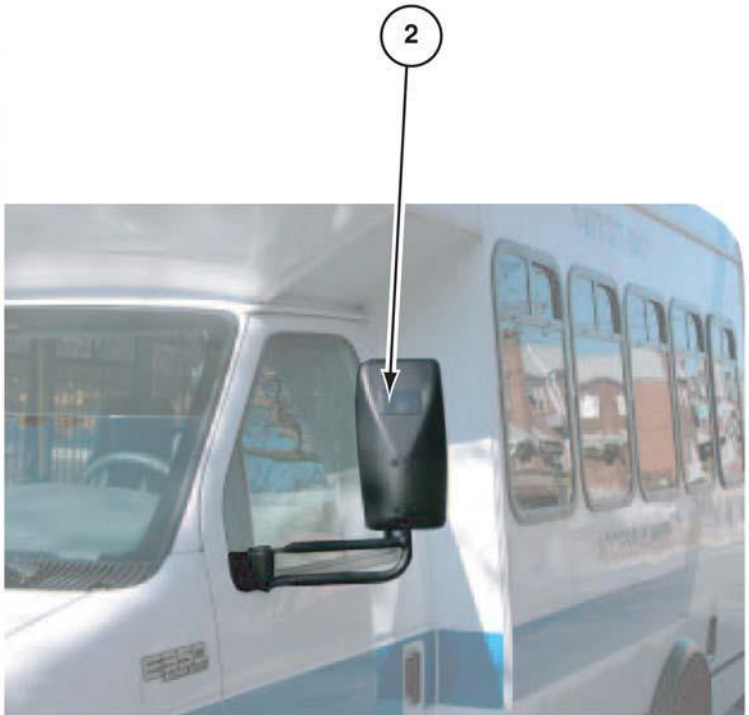
**roof, tekmoto (1 piece rooftop)
0420545 / 0420544**

<i>ITEM PART NO. DESCRIPTION</i>	<i>QTY</i>	<i>ITEM PART NO. DESCRIPTION</i>	<i>QTY</i>
NS 3371953 Sheeting, Composite .060 x 108" W	AR	ALSO APPLIES TO THE FOLLOWING ASSEMBLIES:	
NS 8971257 Tape, 3M 4412N 3" x 15Yds Extreme	AR	0418314	
NS 0970161 Panel, AZDEL 36" x 96" RVX WA/BB	AR	0418373	
NS 4342879 Steel, Coil .021 x 36.0 Painted	AR	0420039	
NS 7970091 Adhesive, Spray Multi Purpose	AR	0420543	
		0420544	
		0420545	
		0420050	
		0420546	



mirror, eurostyle manual ford '08
0416567

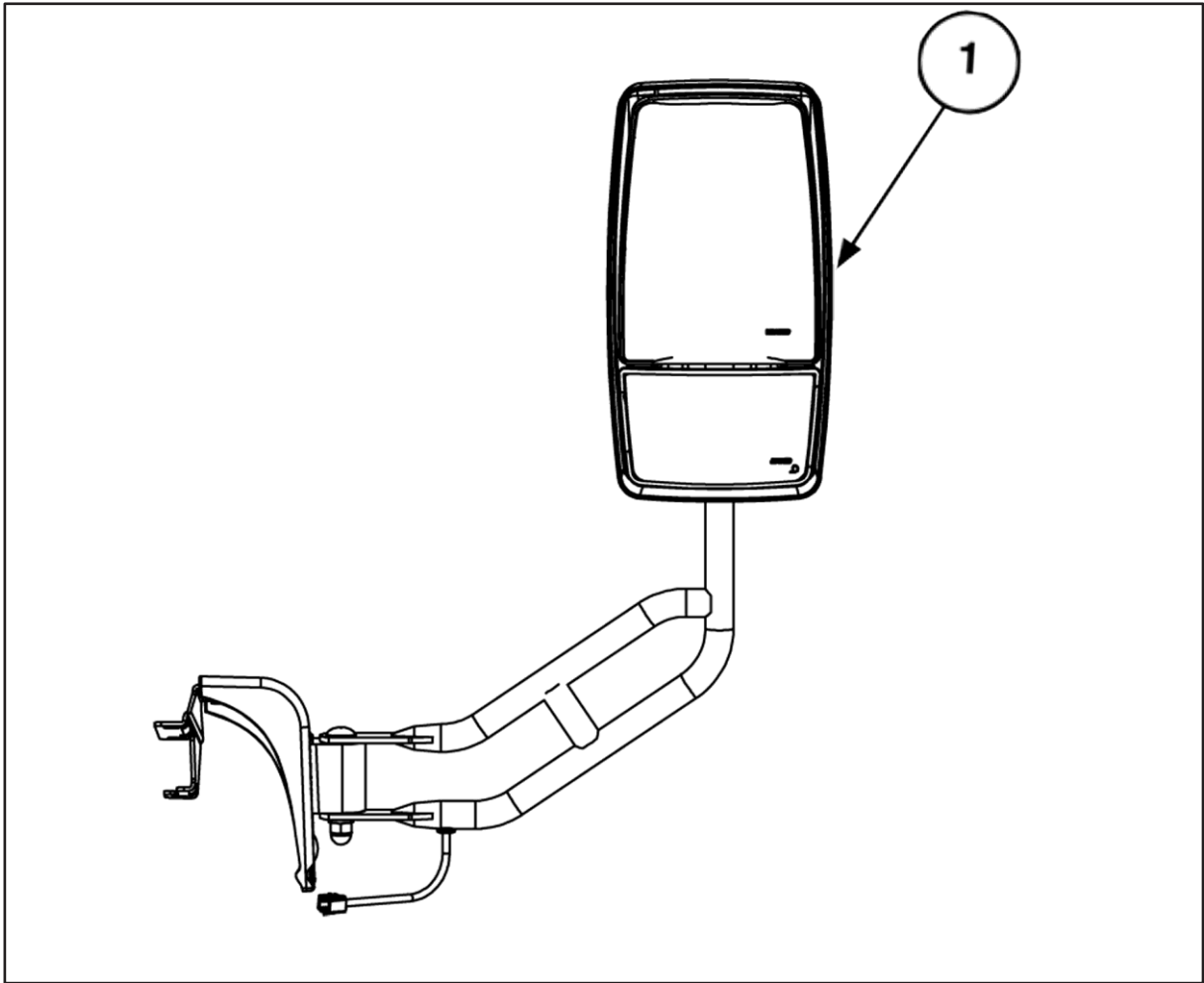
<i>ITEM PART NO. DESCRIPTION</i>	<i>QTY</i>	<i>ITEM PART NO. DESCRIPTION</i>	<i>QTY</i>
01 6170596 Mirror, P/S Manual Non-Htd	1		
NS 6170595 Mirror, D/S Manual Non-Htd (D/S Mirror Similar to P/S Mirror)	1		



EUROSTYLE MIRRORS (MANUAL)

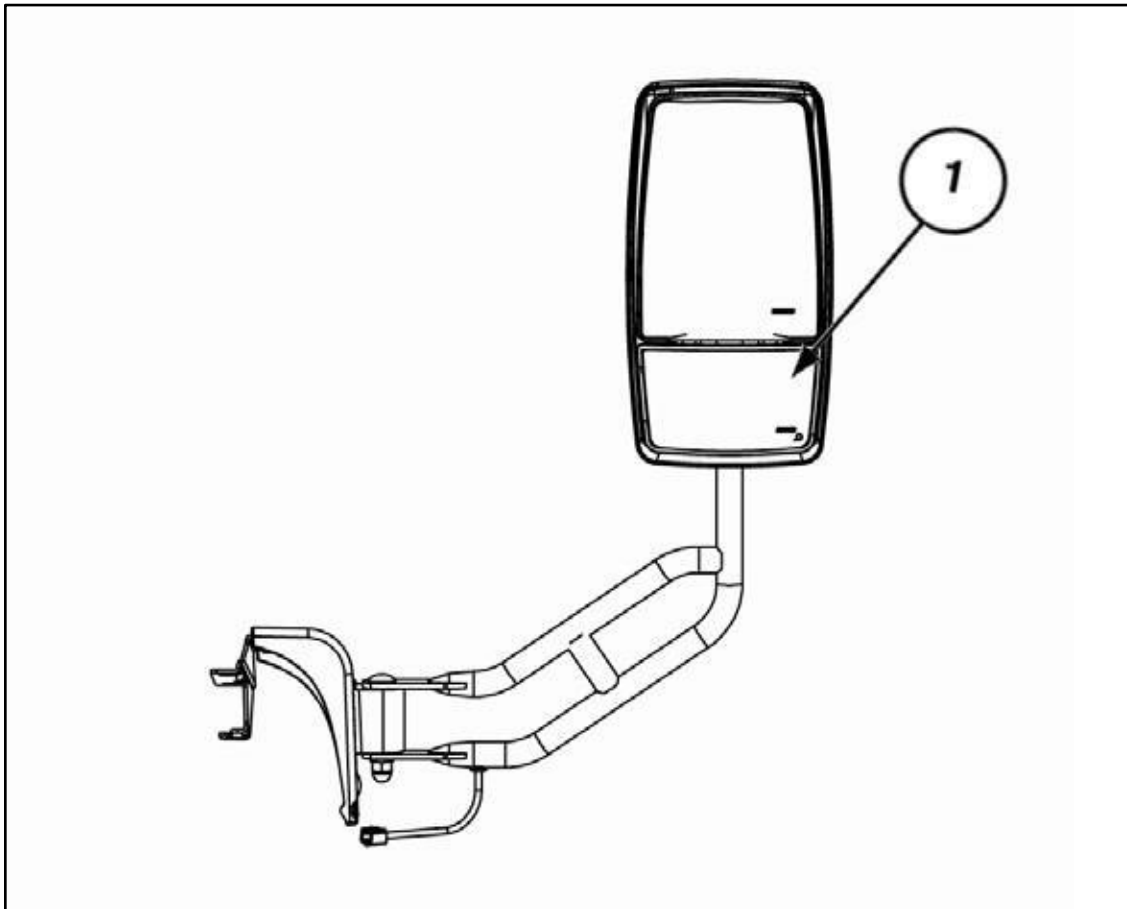
0414008

<i>ITEM PARTNO. DESCRIPTION</i>	<i>QTY</i>	<i>ITEM PARTNO. DESCRIPTION</i>	<i>QTY</i>
1 6170402 MIRROR R/S EUROSTYLE MANUAL (ROSCQ)	1		
2 6170401 MIRROR D/S EUROSTYLE MANUAL (ROSCQ)	1		
N/S 6170404 MIRROR CONVEX(4 x 5 STICK-ON)			
2			



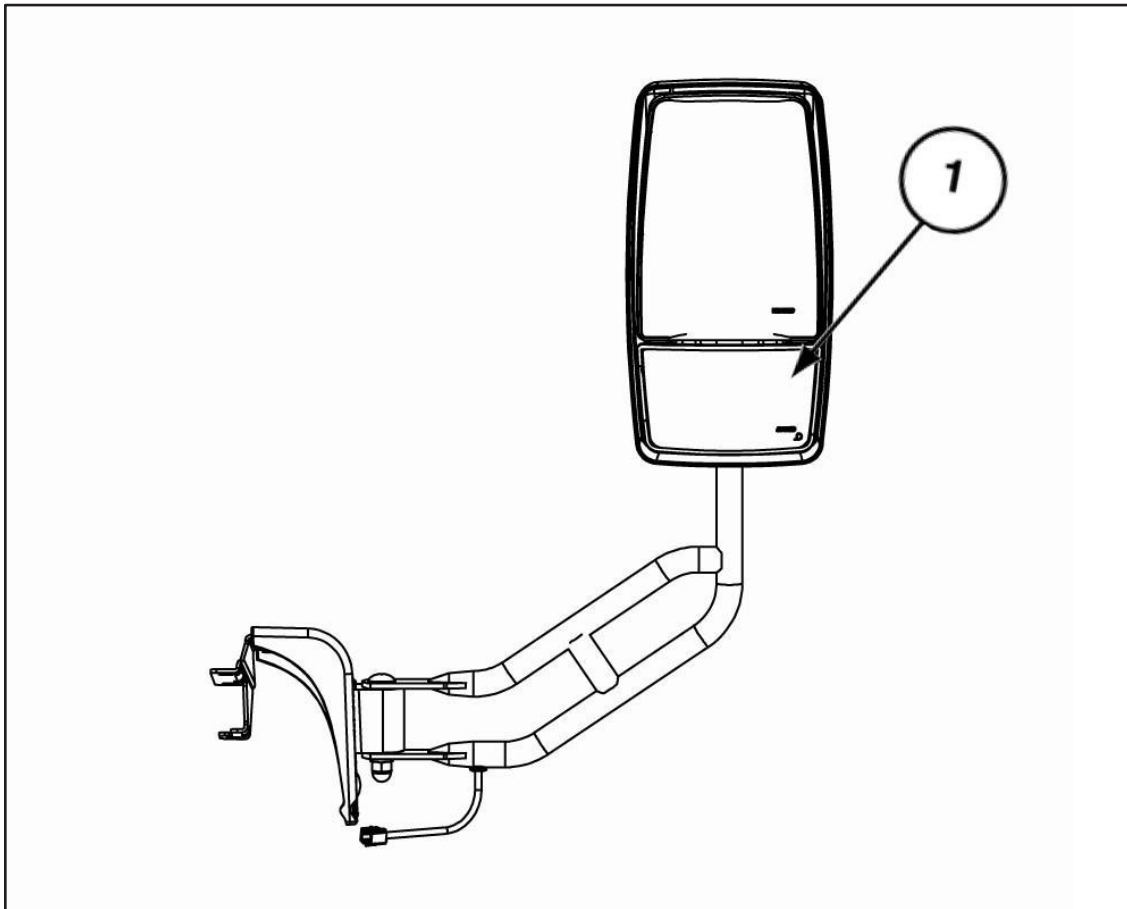
**mirror, heated-remote ford '08
73089**

<i>ITEM PART NO. DESCRIPTION</i>	<i>QTY</i>	<i>ITEM PART NO. DESCRIPTION</i>	<i>QTY</i>
01 6170459 Mirror, Htd Remote PS W/Switches	1	REFERS TO ALL ASSEMBLIES LISTED BELOW: CH000FP73089 0416649 CH000FN73089 CH000FF73089 CH000FU73089	
NS 6170458 Mirror, Htd Remote DS W/Switches (D/S Mirror Similar to P/S Mirror)	1		



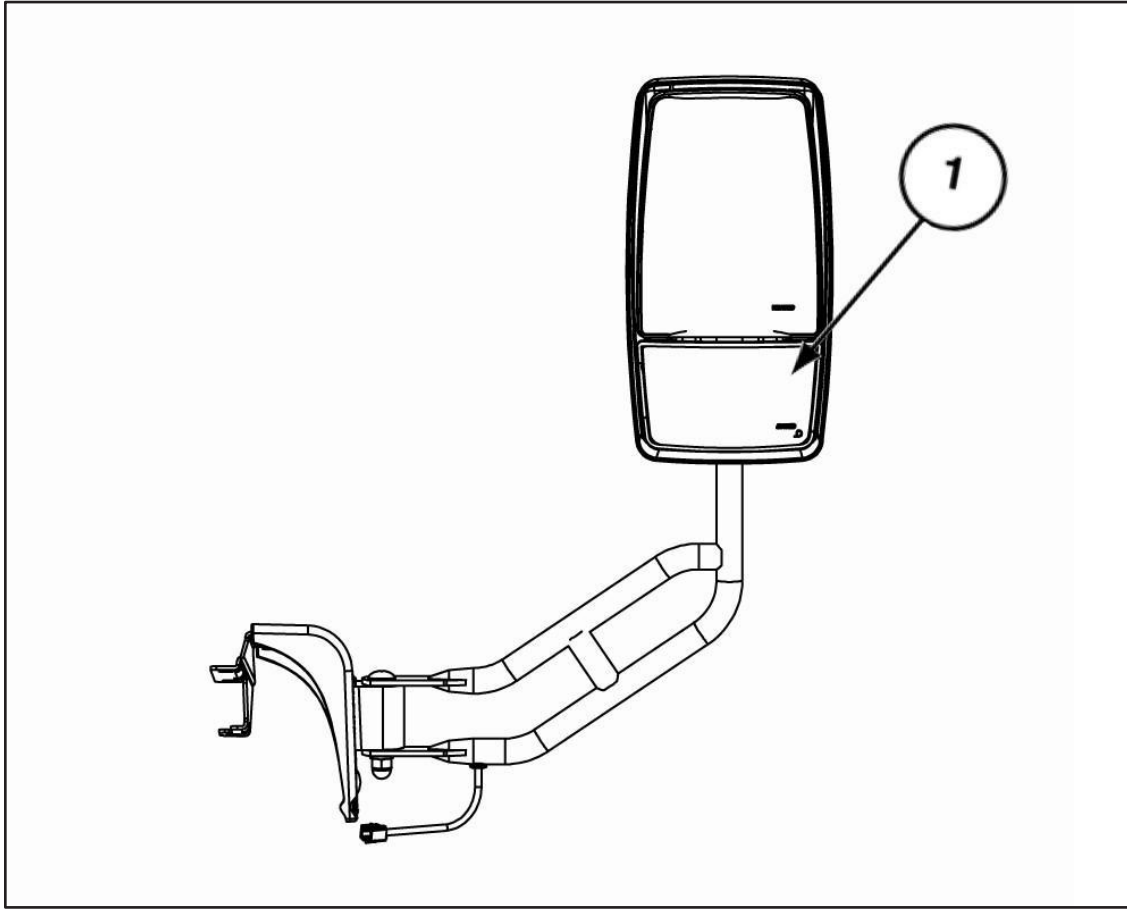
**mirrors, heated remote ford
ch000fp71303 - ch000fU71303 - ch-000-900-1303**

<i>ITEM PART NO. DESCRIPTION</i>	<i>QTY</i>	<i>ITEM PART NO. DESCRIPTION</i>	<i>QTY</i>
01 6170274 Mirror, C/S Heated Remote Ford-LUC	1		
N/S 6170275 Mirror, R/S Heated Remote Ford-LUC	1		
N/S 0401982 Switch, On/Off Assembly	1		



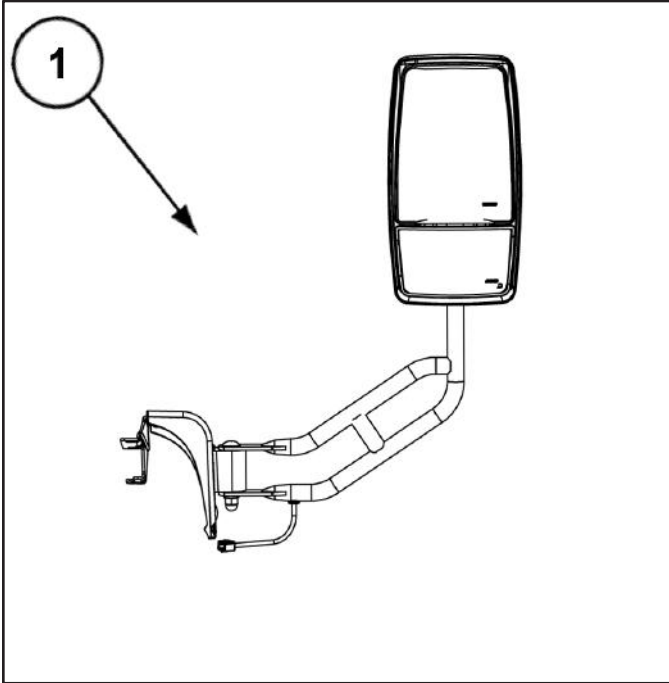
mirrors, heated remote ford
ch000fp71303 - 0414189

<i>ITEM PART NO. DESCRIPTION</i>	<i>QTY</i>	<i>ITEM PART NO. DESCRIPTION</i>	<i>QTY</i>
01 6170274 Mirror, C/S Heated Remote Ford	1		
N/S 6170275 Mirror, R/S Heated Remote Ford	1		
N/S 0401982 Switch, On/Off Assembly	1		
N/S 3972909 Harness, Remote HTD Mirrors	1		



mirrors, heated remote ford 0410747

<i>ITEM PART NO. DESCRIPTION</i>	<i>QTY</i>	<i>ITEM PART NO. DESCRIPTION</i>	<i>QTY</i>
01 6170298 Mirror, C/S Heated Remote Airporter	1		
N/S 6170275 Mirror, R/S Heated Remote Ford-LUC	1		
N/S 0401982 Switch, On/Off Assembly	1		



PICTURE NOT AVAILABLE AT THIS TIME

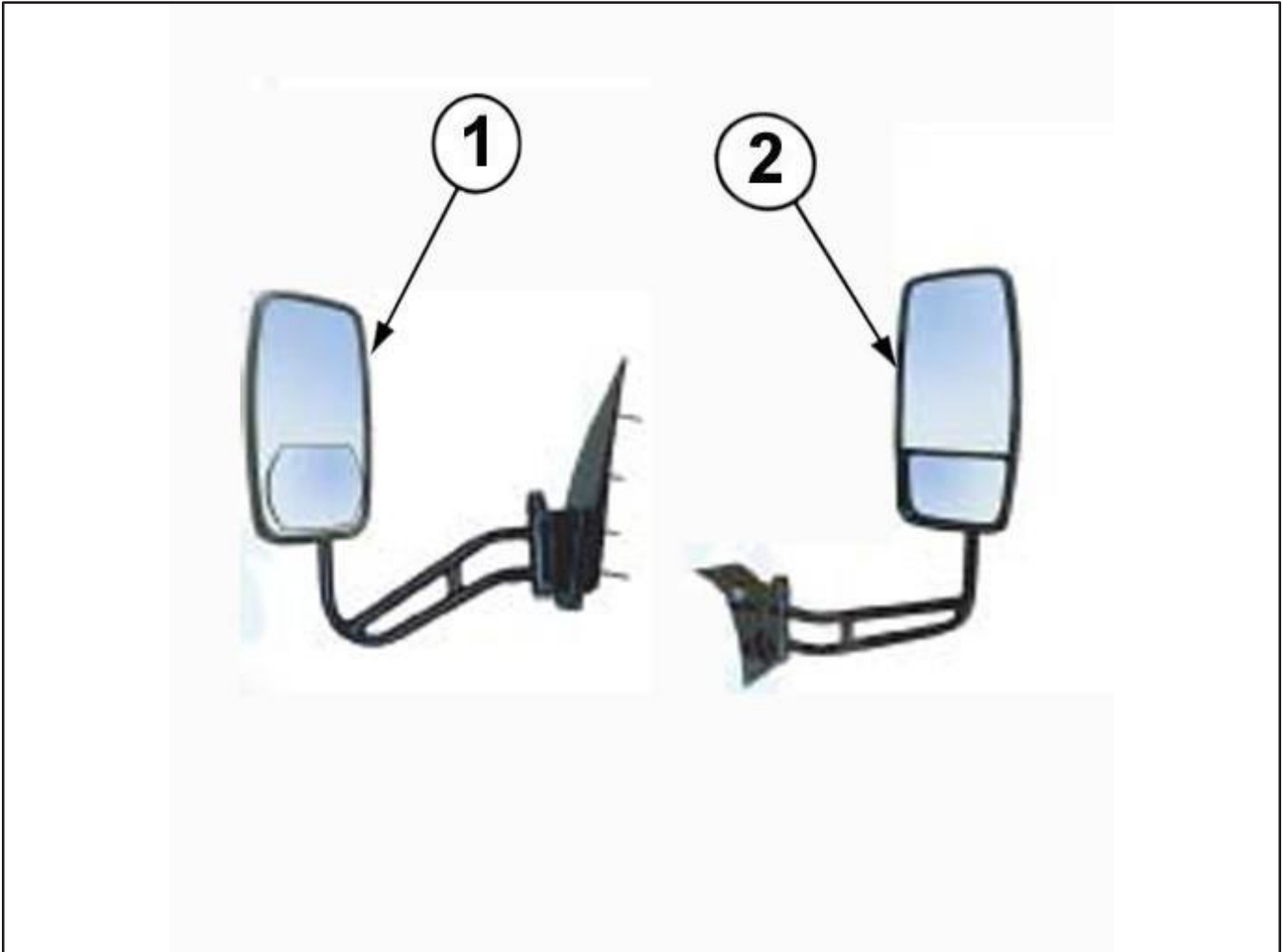
MIRROR, REMOTE W/SWITCH S/S FORD '08 0416528

<i>ITEM PART NO. DESCRIPTION</i>	<i>QTY</i>	<i>ITEM PART NO. DESCRIPTION</i>	<i>QTY</i>
01 6170463 MIRROR,HTD/REM/SWITCH PASS SIDE	1		
NS 6170464 MIRROR,HTD'REM/SWITCH ROAD SIDE	1		



heated lucerix mirrors - ford 0409421

<i>ITEM PART NO. DESCRIPTION</i>	<i>QTY</i>	<i>ITEM PART NO. DESCRIPTION</i>	<i>QTY</i>
01 6170287 Mirror, Heated C/S Lucerix Ford	1		
N/S 6170288 Mirror, Heated R/S Lucerix Ford	1		
N/S 3972909 Harness, Remote Heated Mirrors	1		



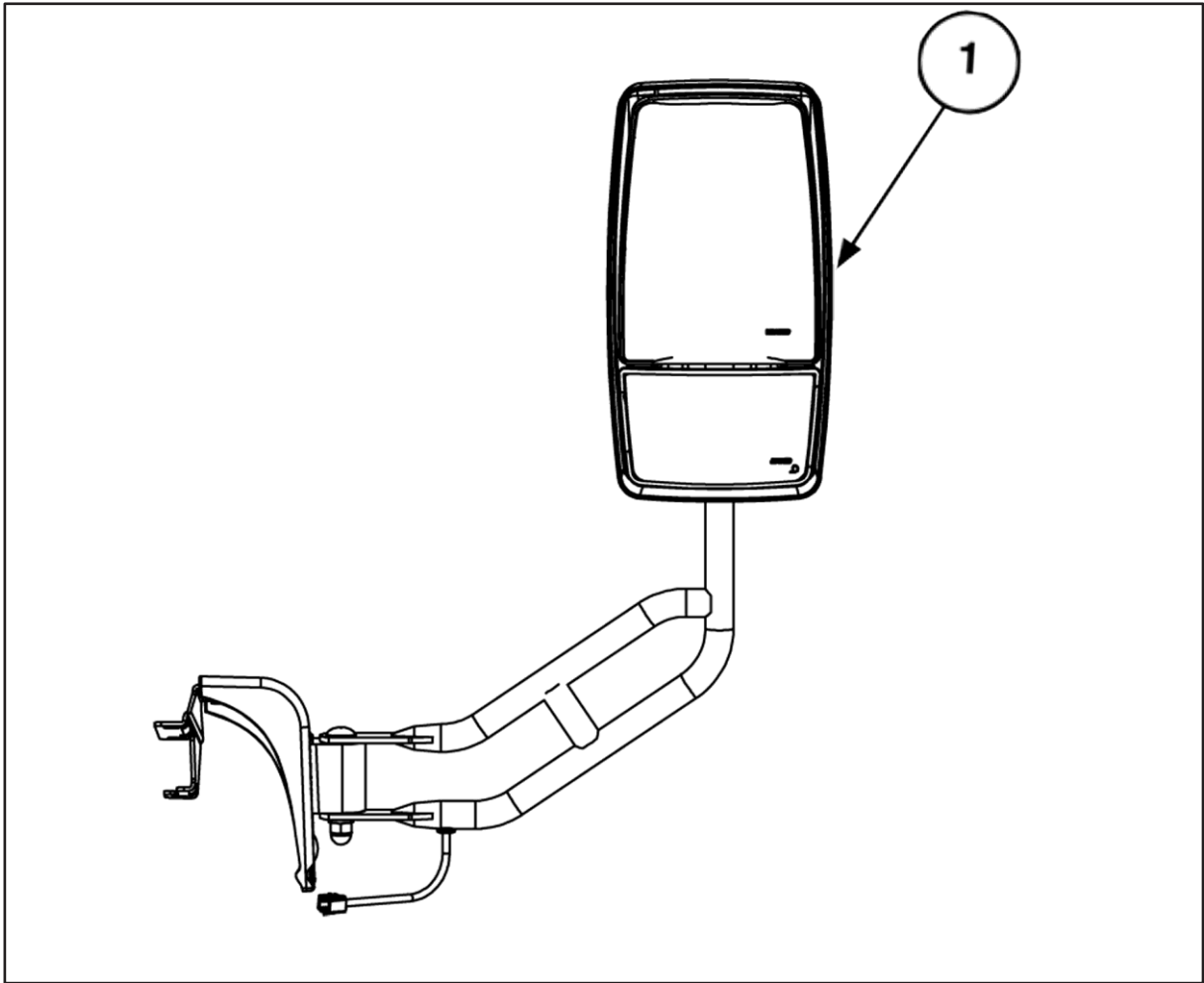
ExtErior mirrors - lucErix 0415676

<i>ITEM PART NO. DESCRIPTION</i>	<i>QTY</i>	<i>ITEM PART NO. DESCRIPTION</i>	<i>QTY</i>
1 6170455 Mirror, R/S Exterior Insert - Ford	1		
2 6170456 Mirror, C/S Ext. Fender Mount - Ford	1		



STANDARD EXTERIOR MIRRORS (FORD)
0411810

<i>ITEM</i>	<i>PART NO.</i>	<i>DESCRIPTION</i>	<i>QTY</i>	<i>ITEM</i>	<i>PART NO.</i>	<i>DESCRIPTION</i>	<i>QTY</i>
1	6170329	MIRROR, R/S BLACK VENT MOUNT	1				
2	6170304	MIRROR, C/S STANDARD	1				



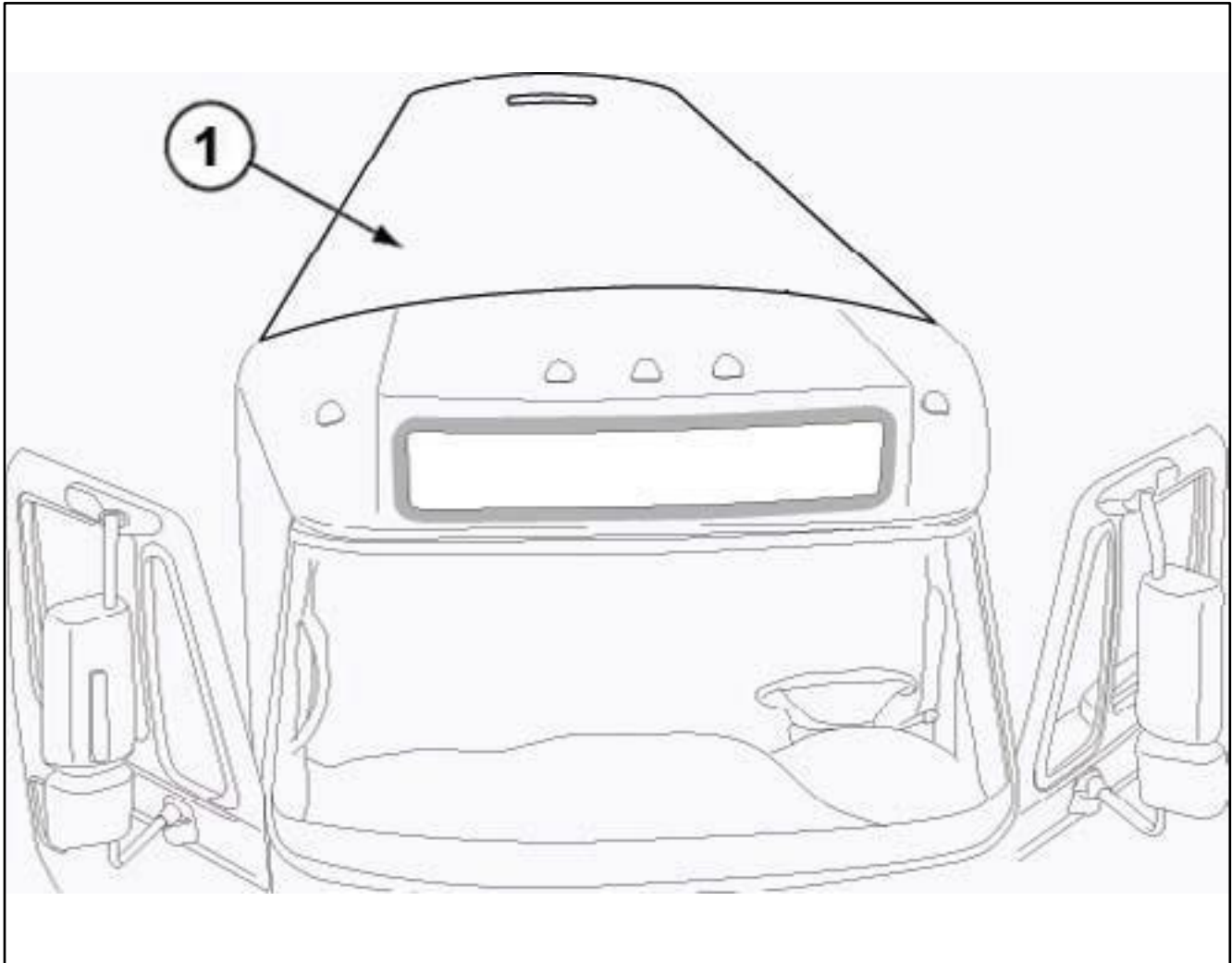
mirror, lucerix manual ford '08
0417958

<i>ITEM PART NO. DESCRIPTION</i>	<i>QTY</i>	<i>ITEM PART NO. DESCRIPTION</i>	<i>QTY</i>
01 6170571 Mirror, Ext. C/S Lucerix Manual '08	1		
NS 6170572 Mirror, Ext. R/S Lucerix Manual '08 (R/S Mirror Similar to P/S Mirror)	1		



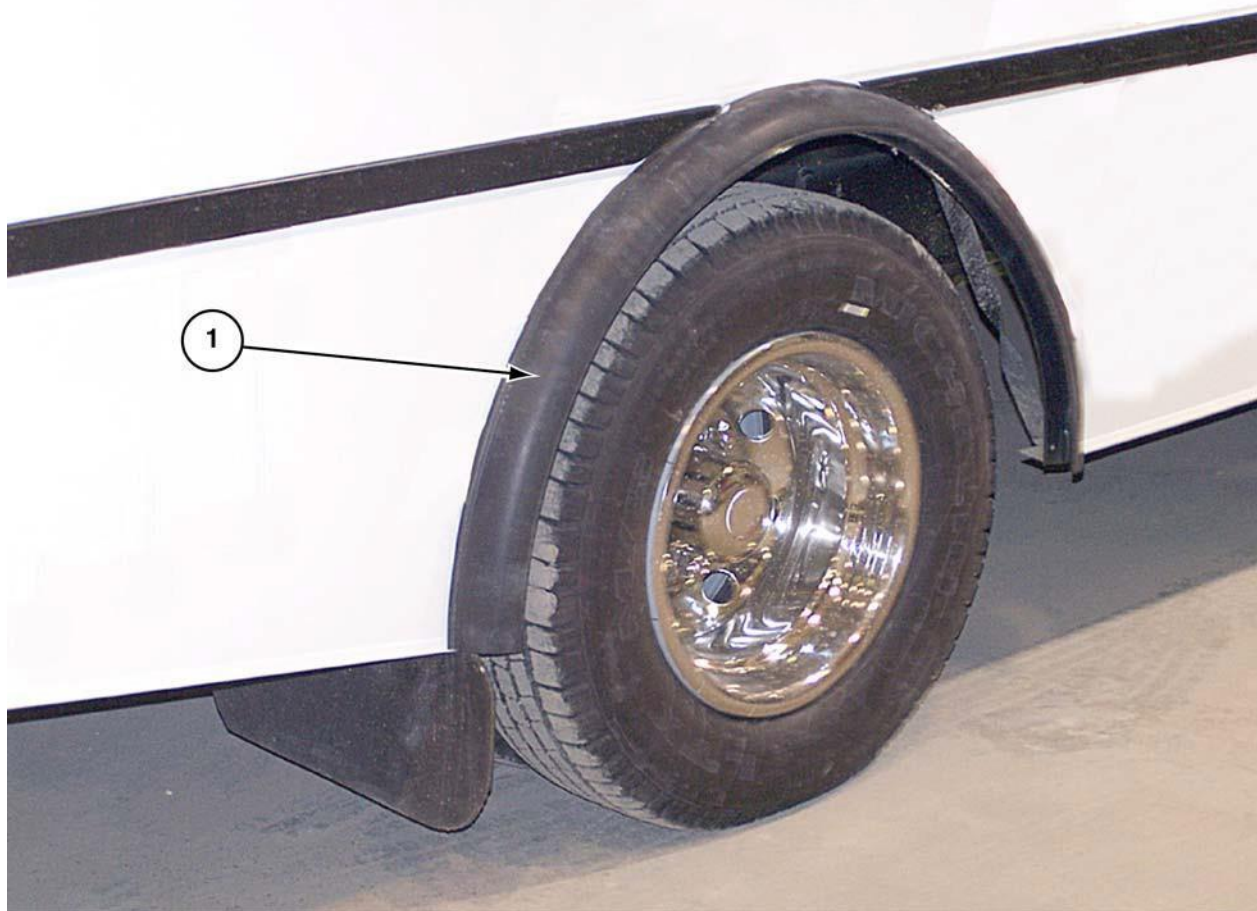
exterior crossview mirror
cx-000-900-3243 / cx0000073243

<i>ITEM</i>	<i>PART NO.</i>	<i>DESCRIPTION</i>	<i>QTY</i>	<i>ITEM</i>	<i>PART NO.</i>	<i>DESCRIPTION</i>	<i>QTY</i>
01	6142111	MIRROR, DOLLY (w/MOUNT)	1				
N/S	6170120	WELLNUT, RUBBER	6				
N/S	8570981	SCREW, MACHINE (10-32 x 3/4 PHIL PAN)	6				
N/S	8571190	NUT, RIVET 1/4-20 .165-- .260	A/R				



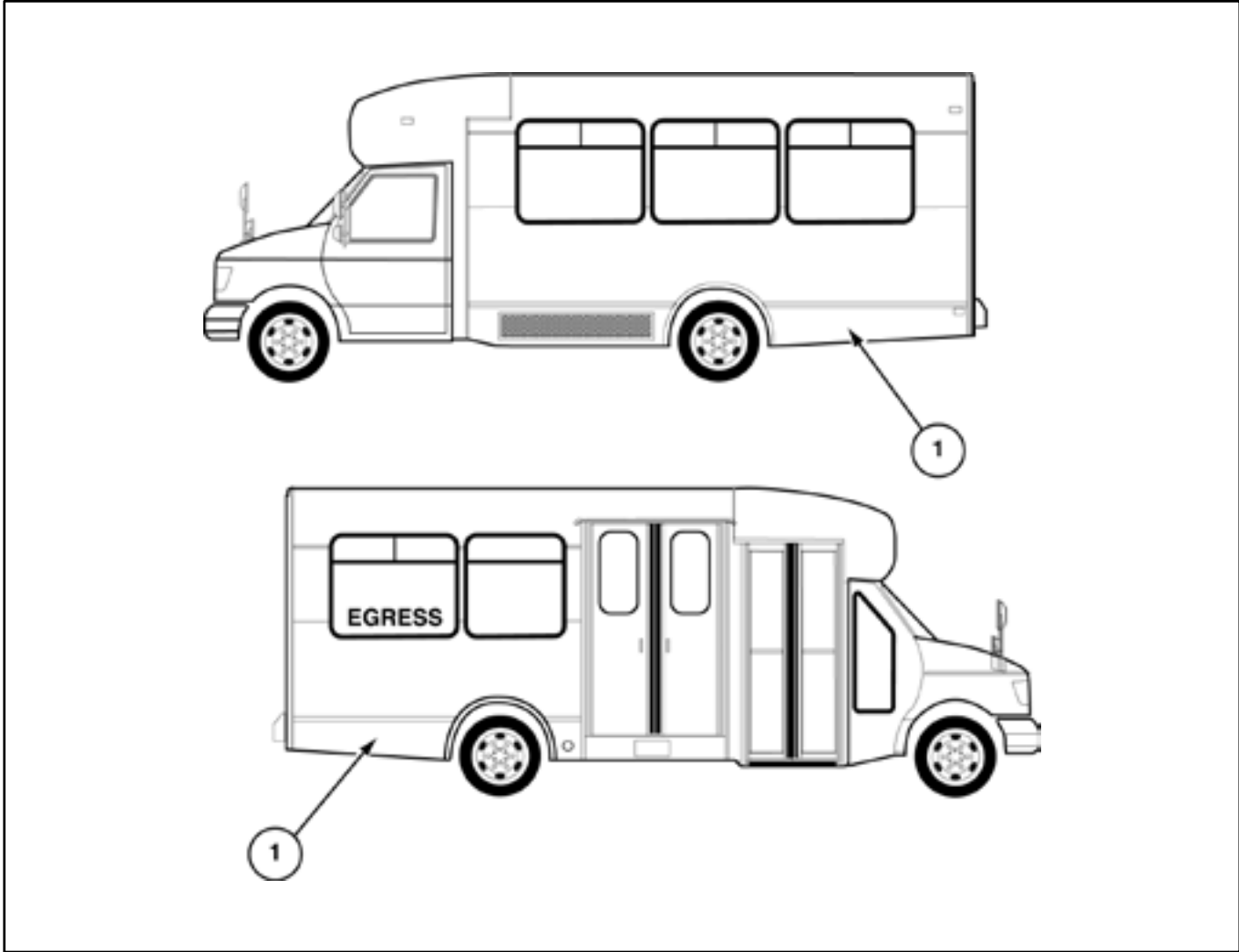
**roof, tekmoto (1 piece rooftop)
0420545 / 0420544**

<i>ITEM PART NO. DESCRIPTION</i>	<i>QTY</i>	<i>ITEM PART NO. DESCRIPTION</i>	<i>QTY</i>
NS 3371953 Sheating, Composite .060 x 108" W	AR	ALSO APPLIES TO THE FOLLOWING ASSEMBLIES:	
NS 8971257 Tape, 3M 4412N 3" x 15Yds Extreme	AR	0418314	
NS 0970161 Panel, AZDEL 36" x 96" RVX WA/BB	AR	0418373	
NS 4342879 Steel, Coil .021 x 36.0 Painted	AR	0420039	
NS 7970091 Adhesive, Spray Multi Purpose	AR	0420543	
		0420544	
		0420545	
		0420050	
		0420546	



REAR EXTRUSION
0402776

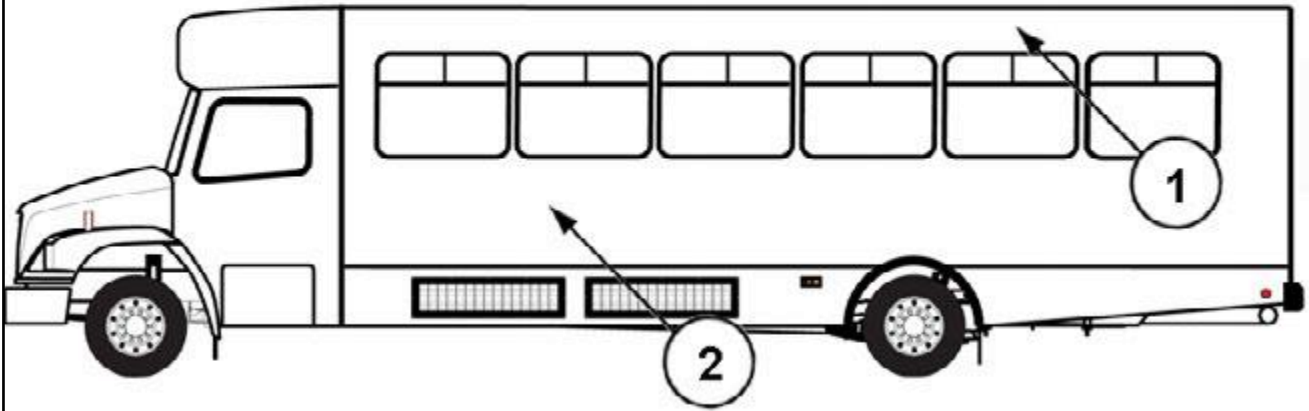
<i>ITEM PART NO. DESCRIPTION</i>	<i>QTY</i>	<i>ITEM PART NO. DESCRIPTION</i>	<i>QTY</i>
01 3344942 EXTRUSION, FENDER 82178 50 FEET	A/R		



**SKIRT PAN METAL
ALL ASSEMBLIES - CH/CR**

<i>ITEM</i>	<i>PART NO.</i>	<i>DESCRIPTION</i>	<i>QTY</i>	<i>ITEM</i>	<i>PART NO.</i>	<i>DESCRIPTION</i>	<i>QTY</i>
01	4342879	STEEL, COIL	AR				
NS	0376281	HANGER, SIDE PAN 14"	AR				
NS	0376282	HANGER, SIDE PAN 10"	AR				
NS	0372771	SUPPORT, SIDE PAN 18.5"	AR				
NS	0374477	SUPPORT, SIDE PAN 27"	AR				
NS	0360446	ANGLE, 16GA GALVANIZED	AR				

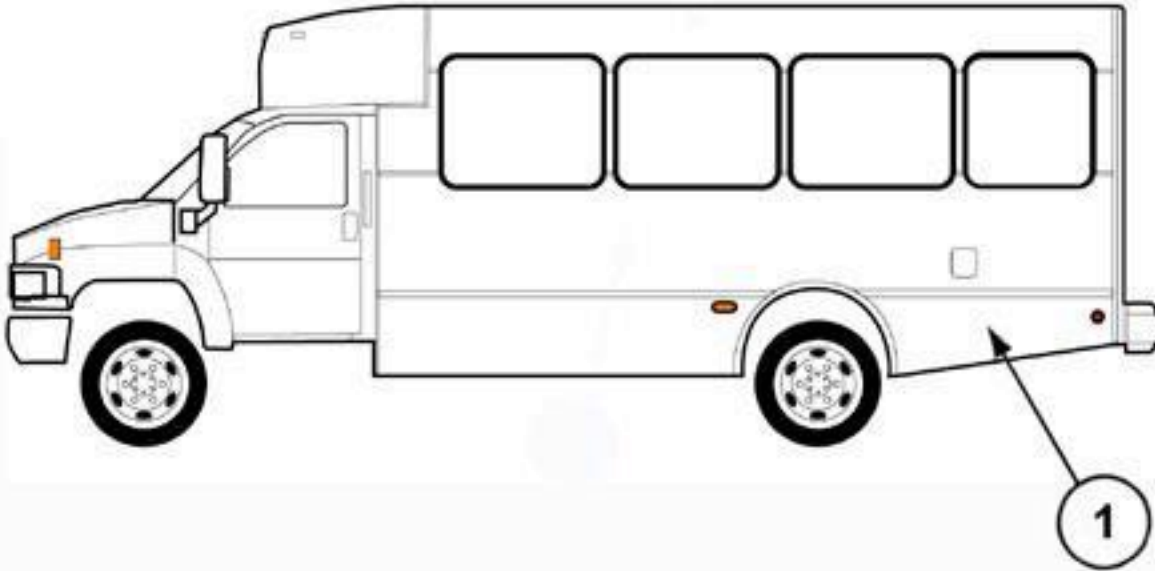
**BEFORE PLACING ORDER FOR
EXTERIOR GELCOAT PANELS YOU
MUST HAVE DIMENSION REQUIRED
FOR REPAIR**



**ExtERior GEIcoat PanEls
0414608 (rEV-a) / 0415268 (rEV-a)**

<i>ITEM PART NO. DESCRIPTION</i>	<i>QTY</i>	<i>ITEM PART NO. DESCRIPTION</i>	<i>QTY</i>
01 3371971 Panel, Noble 4MM x 348" x 48"	AR		
NS 3371988 Trim, "H" .188 Thick Panel	AR		
NS 0970014 Luan, Raw 3.6mm x 48 x 96	AR		

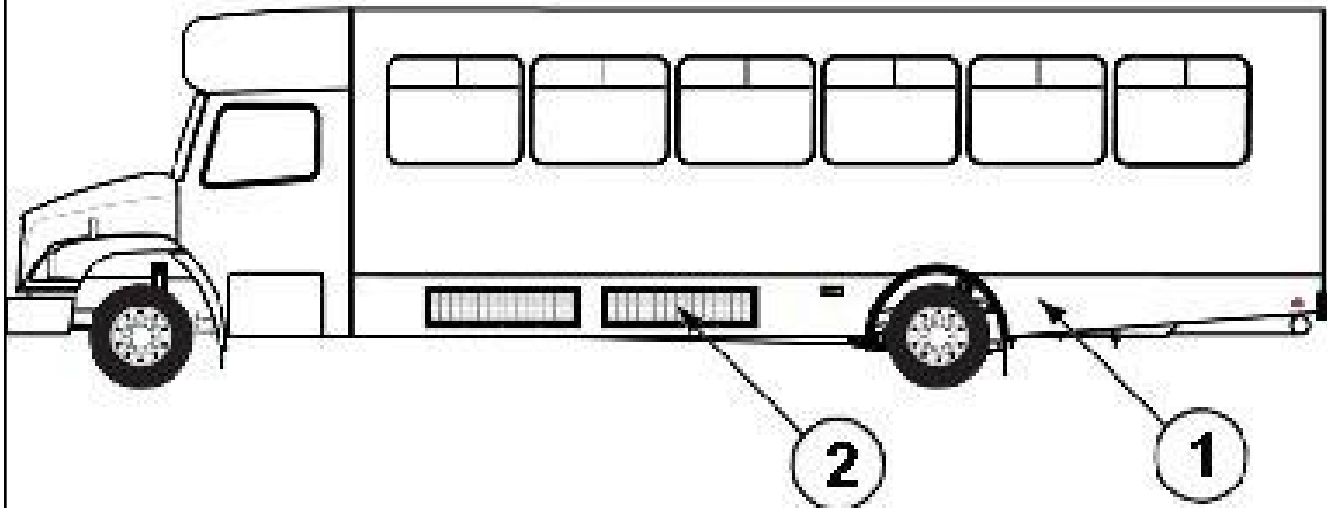
**BEFORE PLACING ORDER FOR
EXTERIOR GELCOAT PANELS
YOU MUST HAVE DIMENSION
REQUIRED FOR REPAIR**



**ExtErior GElcoat SKirt panEIS (non ff)
0417210 (rEV-a)**

<i>ITEM PART NO. DESCRIPTION</i>	<i>QTY</i>	<i>ITEM PART NO. DESCRIPTION</i>	<i>QTY</i>
01 3371971 Panel, CTEC 100 4MM x 348" x 48"	AR		
NS 0360446 Angle, 16GA x 1.0 x 1.5 x 96 Galv	3.5		
NS 0377089 Hanger, Side Pan 18.88" FT.	12		
NS 0376653 Hanger, Side Pan 16¼"	2		
NS 0377041 Hanger, Side Pan 11.00"	4		
NS 0372771 Support, Side Pan 18.5"	4		
NS 0374477 Support, Side Pan 27" All Floors	14		
NS 4541124P Edge, Roof Polar White	2		
NS 3371998 Trim, "H" .188 Thick Panel	1		

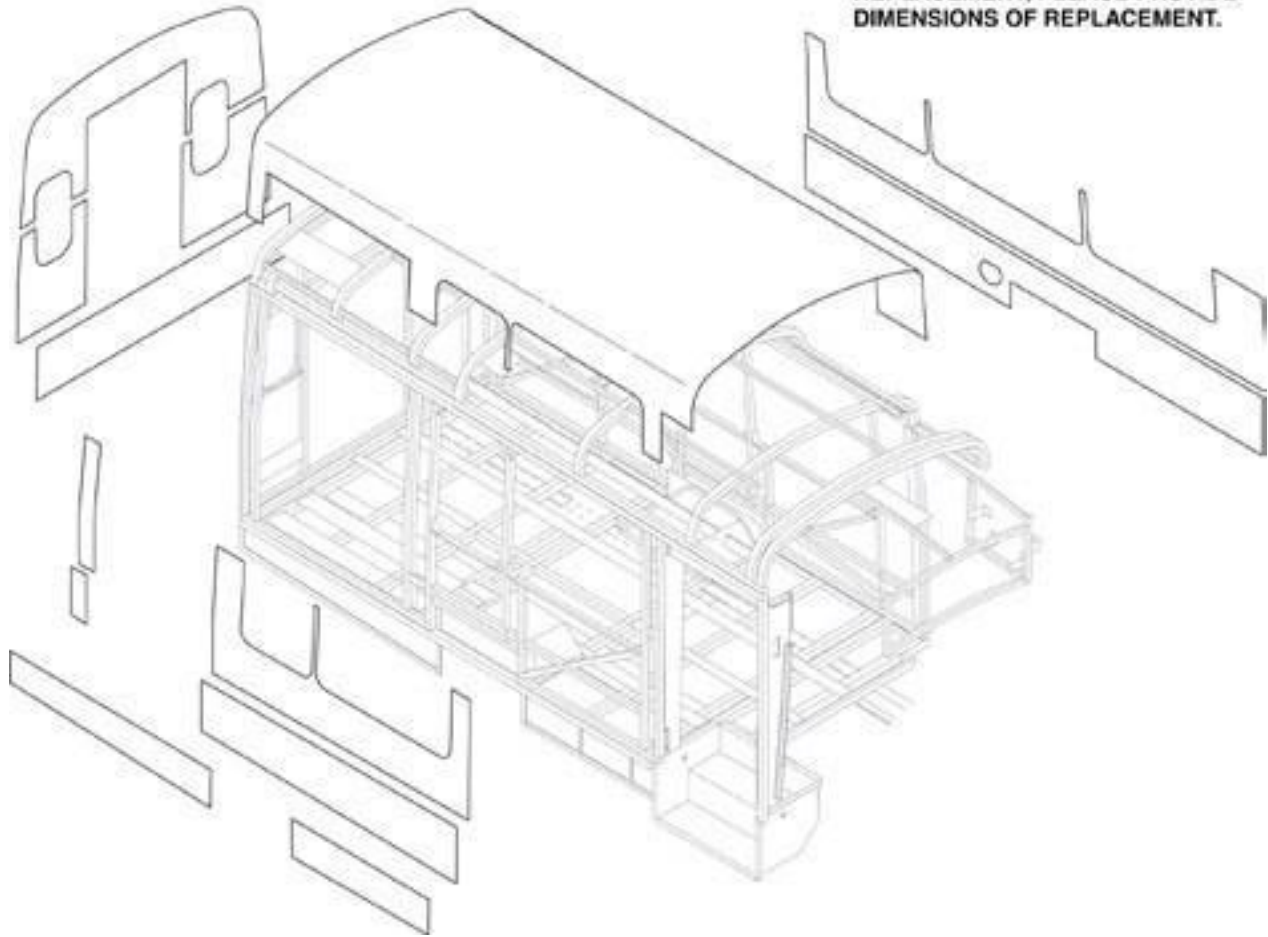
**BEFORE PLACING ORDER FOR
EXTERIOR GELCOAT PANELS YOU
MUST HAVE DIMENSION REQUIRED
FOR REPAIR**



**Ext GElcoat SKIRt panEIS (27Ft)
0417377 (REV-a)**

<i>ITEM PART NO. DESCRIPTION</i>	<i>QTY</i>	<i>ITEM PART NO. DESCRIPTION</i>	<i>QTY</i>
01 3371971 Panel, CTEC 100 4MM x 348" x 48"	AR		
02 0377027 Screen, Condensor 3 Fan 50 x 13	1		
NS 0360446 Angle, 16GA x 1.0 x 1.5 x 96.0	3.5		
NS 0376281 Hanger, Side Pan 14' (4 Degree)	2		
NS 0376472 Hanger, Side Pan 24" (4 Degree)	10		
NS 0374477 Support, Side Pan 27" All Floors	12		
NS 4541124P Edge, Roof Polar White 16'	2		
NS 0372771 Support, Side Pan 18.5"	2		
NS 3371988 Trim, "H" .188 Thick Panel	1		

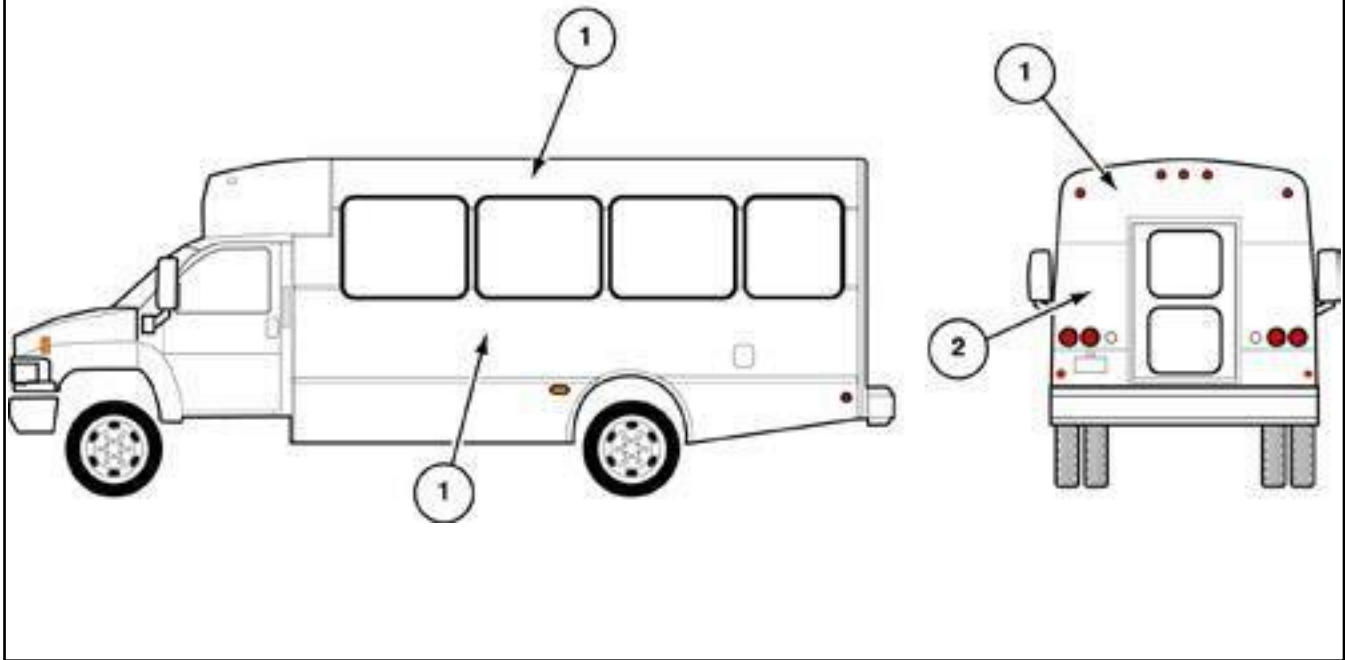
WHEN ORDERING SHEET METAL
REPLACEMENT, PLEASE PROVIDE
DIMENSIONS OF REPLACEMENT.



galvanized metal exterior 0056 / 0057 (rev-a)

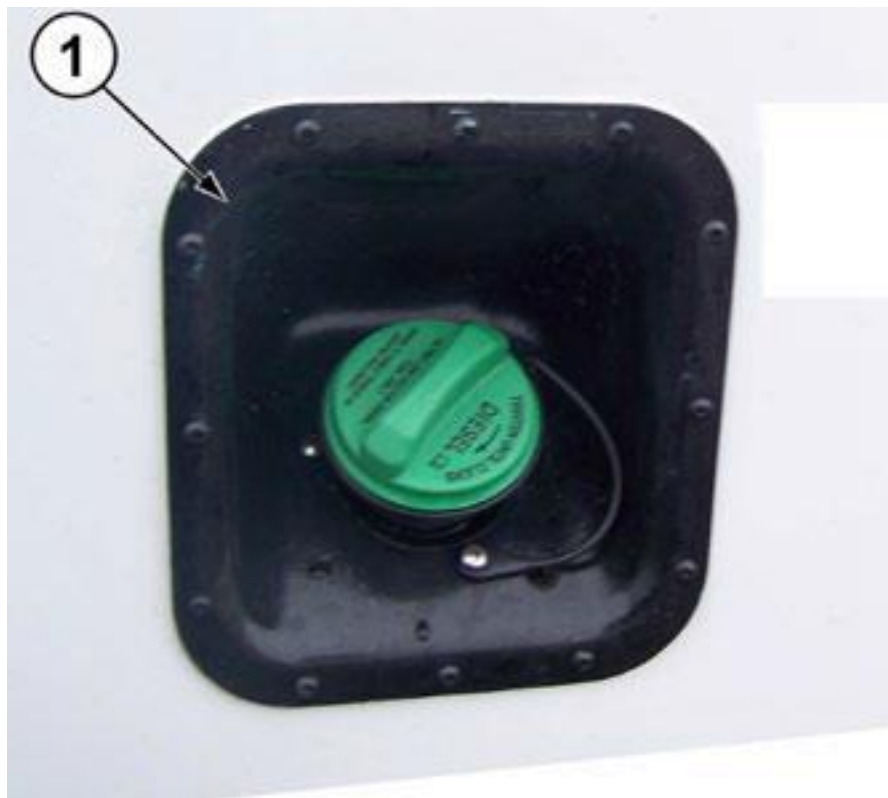
ITEM	PART NO.	DESCRIPTION	QTY	ITEM	PART NO.	DESCRIPTION	QTY
00	4342879	Steel Coil .021 x 36.0 Painted	A/R	REFERS TO ALL ASSEMBLIES LISTED BELOW:			
	4370095	Steel Coil .021 x 48.0 Painted	A/R	CH-210-999-0056	DF-250-999-0057		
	0970014	Lauan, Raw 3.6MM x 48 x 96	A/R	CH-230-999-0056	DF-270-999-0057		
	7970057	Adhesive, C773-40 Contact 55 Gal.	A/R	CH-250-999-0056	DF-290-999-0057		
	7970058	Adhesive, C773-40 Contact 55 Gal.	A/R	CH-270-999-0056	DF-310-999-0057		
				CH-280-999-0056	BG-340-999-0057		
				CH-290-999-0056			
				CR-000-999-0056			
				CT-300-999-0056			
				CT-330-900-0056			
				CT-300-998-0056			
				CT-380-999-0056			

**BEFORE PLACING ORDER FOR
EXTERIOR GELCOAT PANELS
YOU MUST HAVE DIMENSION
REQUIRED FOR REPAIR**



ExtErIOR noble CHOICE SIDEWAll PAnEIS 0421776 (rEV-A)

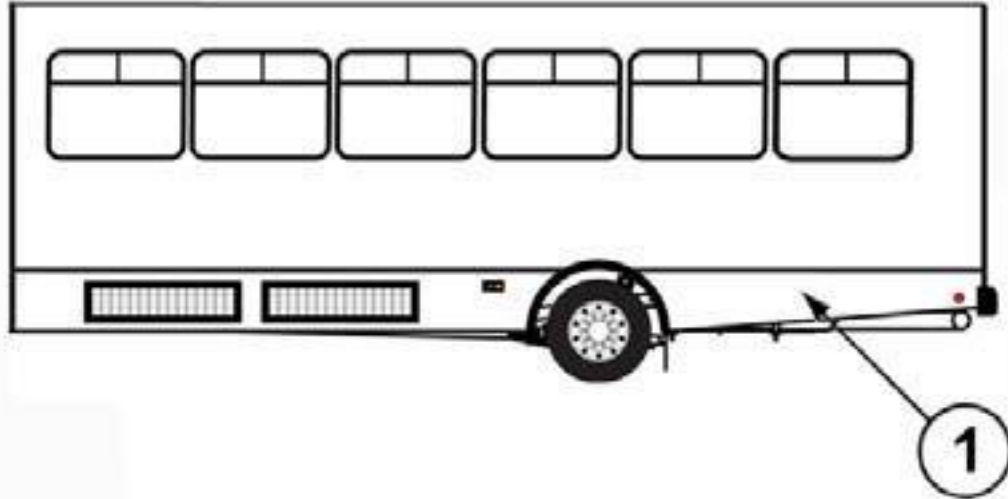
<u>ITEM PART NO. DESCRIPTION</u>	<u>QTY</u>	<u>ITEM PART NO. DESCRIPTION</u>	<u>QTY</u>
0421776 Install, Ext. Noble Choice Panels 20'		0411275 Install, Rub Rail White T-5 25' or Greater	
1 3372156 Panel, Noble Choice 2.54MM x 36" x 2"	2	NS 4570148 Cap, Rub Rail 2" x 16' T-5	2.1
2 3372159 Panel, Backwall NobleChoice 1.67mm x 96"	1	NS 4570147 Rail, Rub 2" Wide x 16' White T-5	2.1
NS 3371988 Trim, "H" .188 Thick Panel	1	NS 8971283 Tape, Butyl 1 x 25mm (150' Roll) D18	.4
0421778 Install, Backwall Noble Choice W/Lauan		NOTE: Before placing order for Sidewall Panels, have dimensions required for repair.	
02 3372159 Panel, Backwall NobleChoice 1.67mm x 96	1		
NS 0970014 Lauan, Raw 3.6mm x 48 x 96	2		



**gas cover & fill (f-550) dsl
0419455**

<i>ITEM</i>	<i>PART NO.</i>	<i>DESCRIPTION</i>	<i>QTY</i>	<i>ITEM</i>	<i>PART NO.</i>	<i>DESCRIPTION</i>	<i>QTY</i>
01	0379111	Cover, Fuel Fill Rear Tank	1				
NS	3371963	Cover, Gas Fill W/90 Degree Angle	1				
NS	0171167	Hose, Fuel Fill 34"	1				

**BEFORE PLACING ORDER FOR
EXTERIOR GELCOAT PANELS YOU
MUST HAVE DIMENSION REQUIRED
FOR REPAIR**



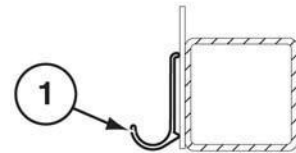
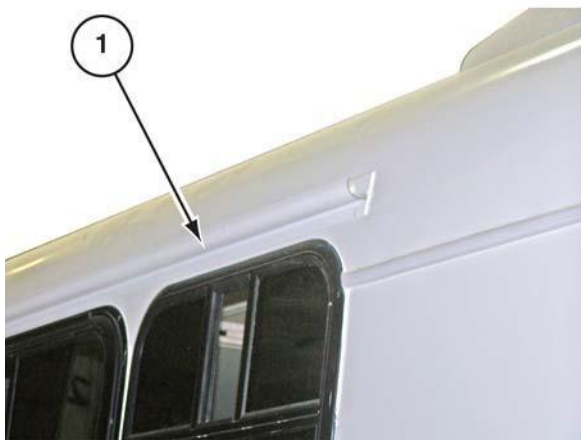
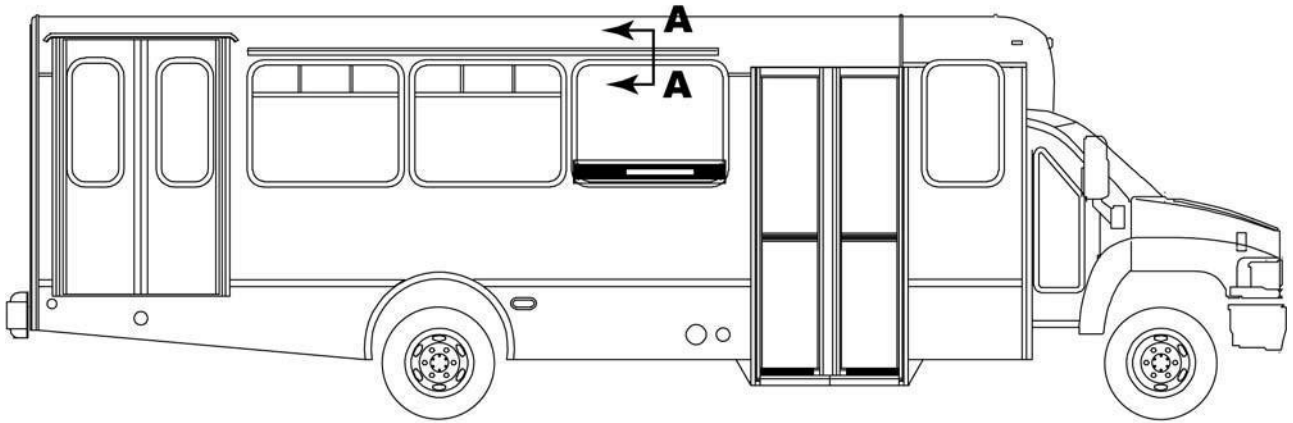
Ext GEIcoat SKIRt panEIS hc-df Int'l 0417---(REV-a)

<i>ITEM PART NO. DESCRIPTION</i>	<i>QTY</i>	<i>ITEM PART NO. DESCRIPTION</i>	<i>QTY</i>
01 3371971 Panel, CTEC 100 4MM x 348" x 48"	AR	INCLUDED IN THE FOLLOWING ASSEMBLIES:	
NS 0360446 Angle, 16GA x 1.0 x 1.5 x 96.0	AR	0417377	
NS 0376281 Hanger, Side Pan 14' (4 Degree)	AR	0417378	
NS 0376472 Hanger, Side Pan 24" (4 Degree)	AR	0417379	
NS 0374477 Support, Side Pan 27" All Floors	AR	0417380	
NS 4541124P Edge, Roof Polar White 16'	AR	0417381	
NS 0372771 Support, Side Pan 18.5"	AR	0417382	
NS 3371988 Trim, "H" .188 Thick Panel	AR	0417383	



**exterior diamond plate wing guard 12"
0407652**

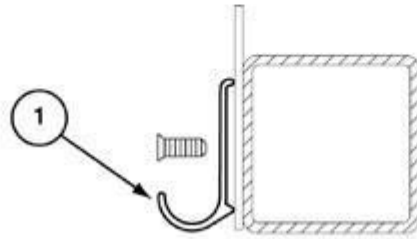
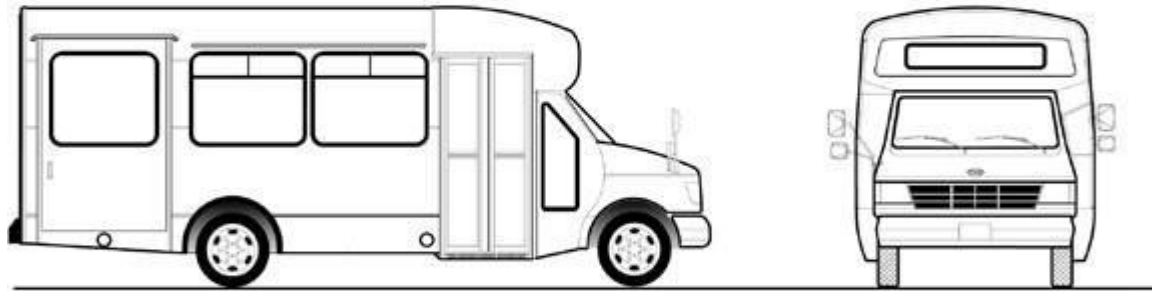
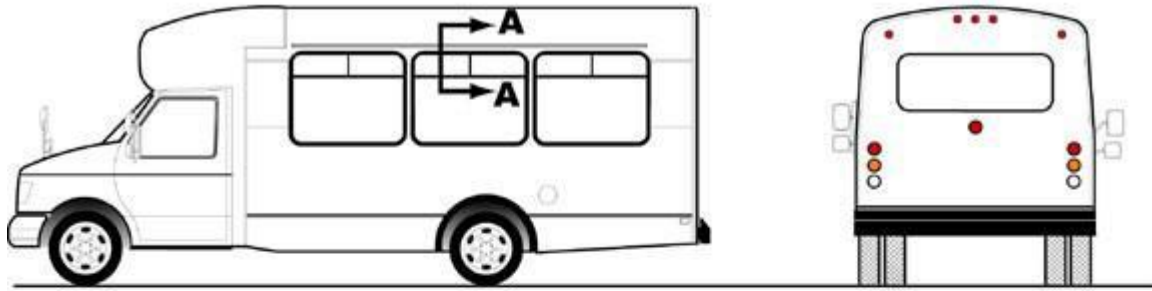
<i>ITEM</i>	<i>PART NO.</i>	<i>DESCRIPTION</i>	<i>QTY</i>	<i>ITEM</i>	<i>PART NO.</i>	<i>DESCRIPTION</i>	<i>QTY</i>
01	0372078	PLATE, DIAMOND ALUMINUM .13x12x1	2				
N/S	8571030	WELLNUT, 1/4 -20 RUBBER	8				
N/S	8571064	SCREW, MACHINE 1/4-20 x 1 PHIL PAN	8				
N/S	7970043	SEALANT, BOSTIK 2100	A/R				



SECTION A-A

DRIP CAP LARGE 0413539

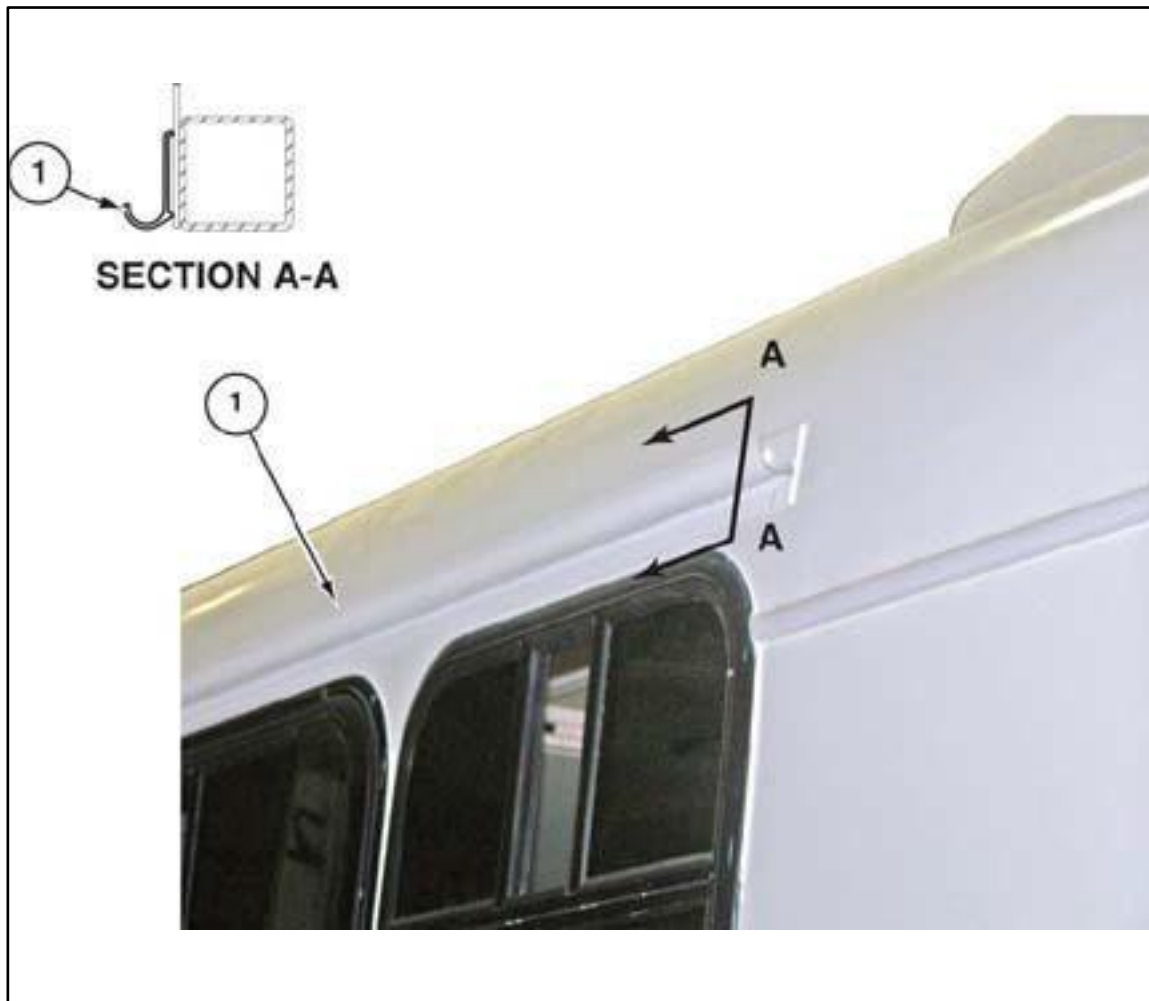
<i>ITEM PART NO. DESCRIPTION</i>	<i>QTY</i>	<i>ITEM PART NO. DESCRIPTION</i>	<i>QTY</i>
01 0378099 RAIL, DRIP 1.25 X 24' WHITE	2		
N/S 8970397 SEAL, COMPRI 1/8" X 3/4" X 50 FT	1.5		



SECTION A-A

drip moldings over windows 3149

ITEM	PART NO.	DESCRIPTION	QTY	ITEM	PART NO.	DESCRIPTION	QTY
01	4570143	CAP, DRIP (POLAR WHITE)	A/R	<i>REFERS TO ALL ASSEMBLIES LISTED BELOW:</i>			
N/S	8970528	TAPE, DOUBLE SIDED	A/R	CH-220-900-3149			
N/S	8570933	SCREW (8 x 1 PAN QUAD T2)	A/R	CH-221-903-3149			
				CH-231-903-3149			
				CH-250-900-3149			
				CH-251-903-3149			
				DF-270-900-3149			
				DF-310-900-3149			
				BG-340-900-3149			



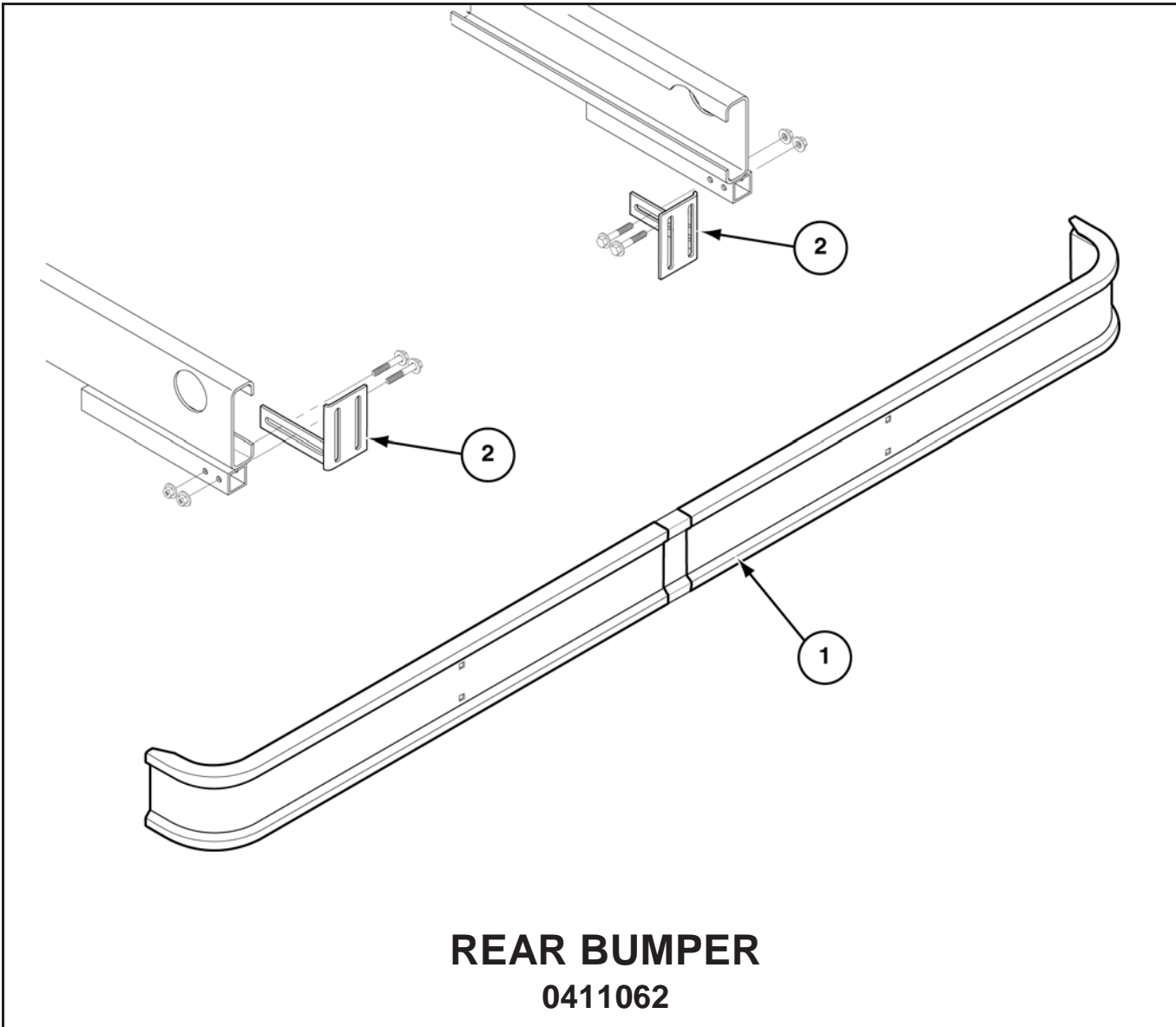
Drip moldings over windows 53250 Assemblies

<i>ITEM PART NO. DESCRIPTION</i>	<i>QTY</i>	<i>ITEM PART NO. DESCRIPTION</i>	<i>QTY</i>
01 0378099 RAIL, DRIP 1.25 x 24' WHITE	A/R	ALSO INCLUDES THE FOLLOWING ASSEMBLIES:	
N/S 8970397 SEAL, COMPRI 1/8" x 3/4" x 50'	A/R	CH2300053250	
		CH2500053250	
		DF2700053250	
		DF2900053250	
		DF3100053250	
		DF3500053250	
		DF3800053250	



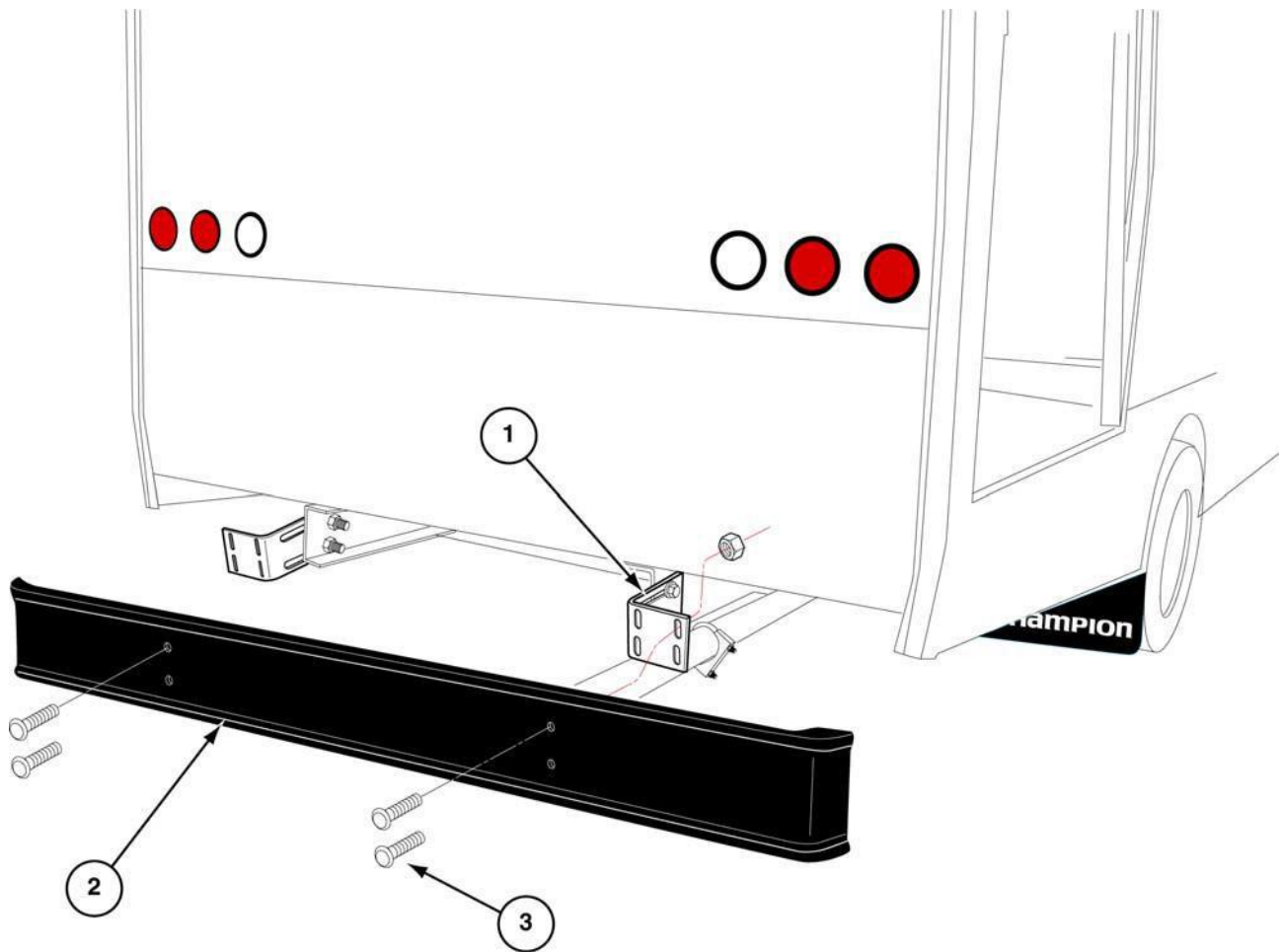
REAR BumpER, pAiNTEd w/STEp
Ch-000-900-3088

<i>ITEM PART NO. DESCRIPTION</i>	<i>QTY</i>	<i>ITEM PART NO. DESCRIPTION</i>	<i>QTY</i>
1 0370981 Bumper, Step Rear Steel	1		
2 3371305 Cap, End Bumper Poly (Roto Molded)	2		
N/S 8970910 Tape, Non-Skin 12" x 60' Ocean GryA/R			
N/S 0374958 Bracket, Rear Steel Stem Bmpr	2		



REAR BUMPER
0411062

<i>ITEM PART NO. DESCRIPTION</i>	<i>QTY</i>	<i>ITEM PART NO. DESCRIPTION</i>	<i>QTY</i>
1 0170942 BUMPER, TRANSPEC REAR	1		
2 0375348 BRACKET, BUMPER	2		



INSTALL STANDARD REAR BUMPER

CH-000-998-S3201 / CH-000-999-S3201

ITEM	PARTNO.	DESCRIPTION	QTY	ITEM	PARTNO.	DESCRIPTION	QTY
1	0374478	BRACKETMOUNTINGREARBUMPER	2				
2	0375852	BUMPER,REAR9x95.010GABLACK	1				
03	8540403	BOLT,BUMPER1/2x1-1/2" S/S	4				
N/S	0375652	BRACKETREARBUMPERADAPTERADJUSTABLE	2				



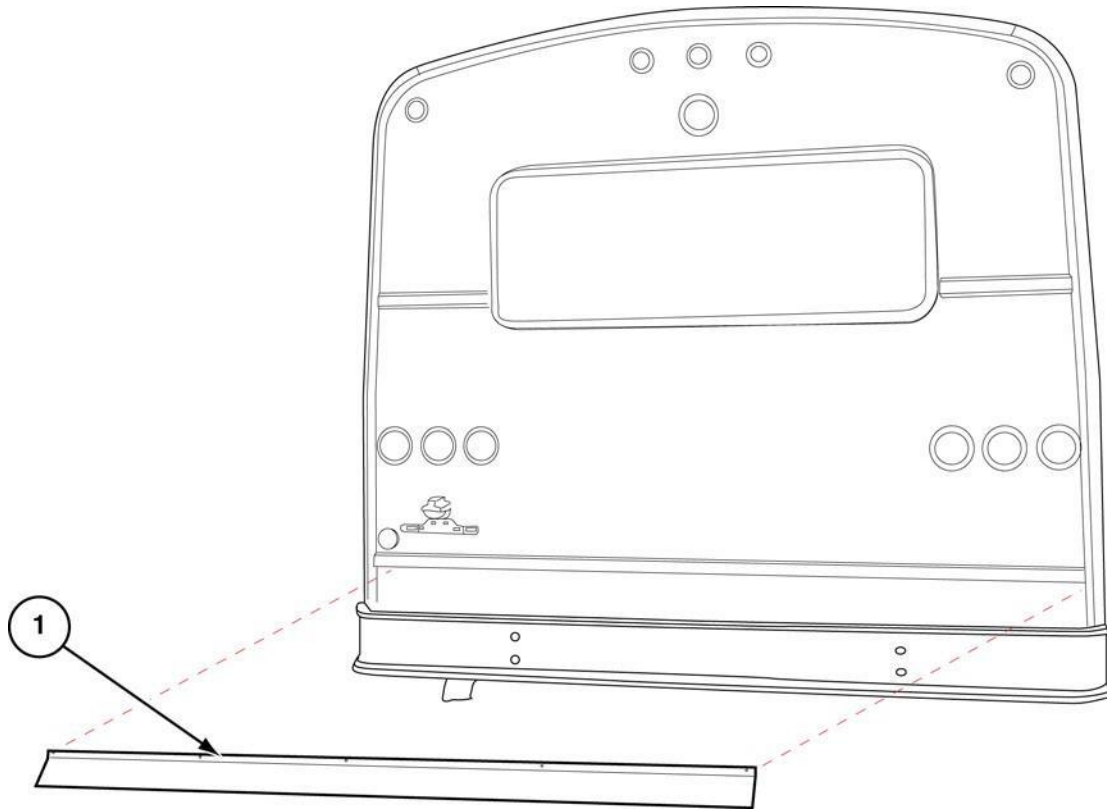
rear bumper paINTeD w/ sTeP - f-550
fD-000-900-3088

<u>ITEM PART NO.</u>	<u>DESCRIPTION</u>	<u>QTY</u>	<u>ITEM PART NO.</u>	<u>DESCRIPTION</u>	<u>QTY</u>
01	0370981 Bumper, Step Rear Steel	1	0403296 Rear Bumper End Cap Assy		
NS	0379346 Bracket, Rear Bumper R/S F-550	1	02	3371305 Cap, End Bumper Poly	2
NS	0379345 Bracket, Rear Bumper C/S F-550	1	NS	8570111 Bolt, Carriage 5/16-18 x 3/4 S/S	3
NS	8970910 Tape, Non-Skid 12" x 60' Ocean Gry AR		NS	8540460 Nut, Hex 5/16-18 GR5 USS	3
NS	8541468 Nut, Hex 1/2-13 USS Nyloc GR8	8	NS	8540445 Washer, Flat 5/16 USS Plated	3
NS	8570876 Washer, Flat 1/2 USS GR8	8	NS	8570874 Washer, Lock 5/16	3



**rear bumper - ford f550 standard
0420659**

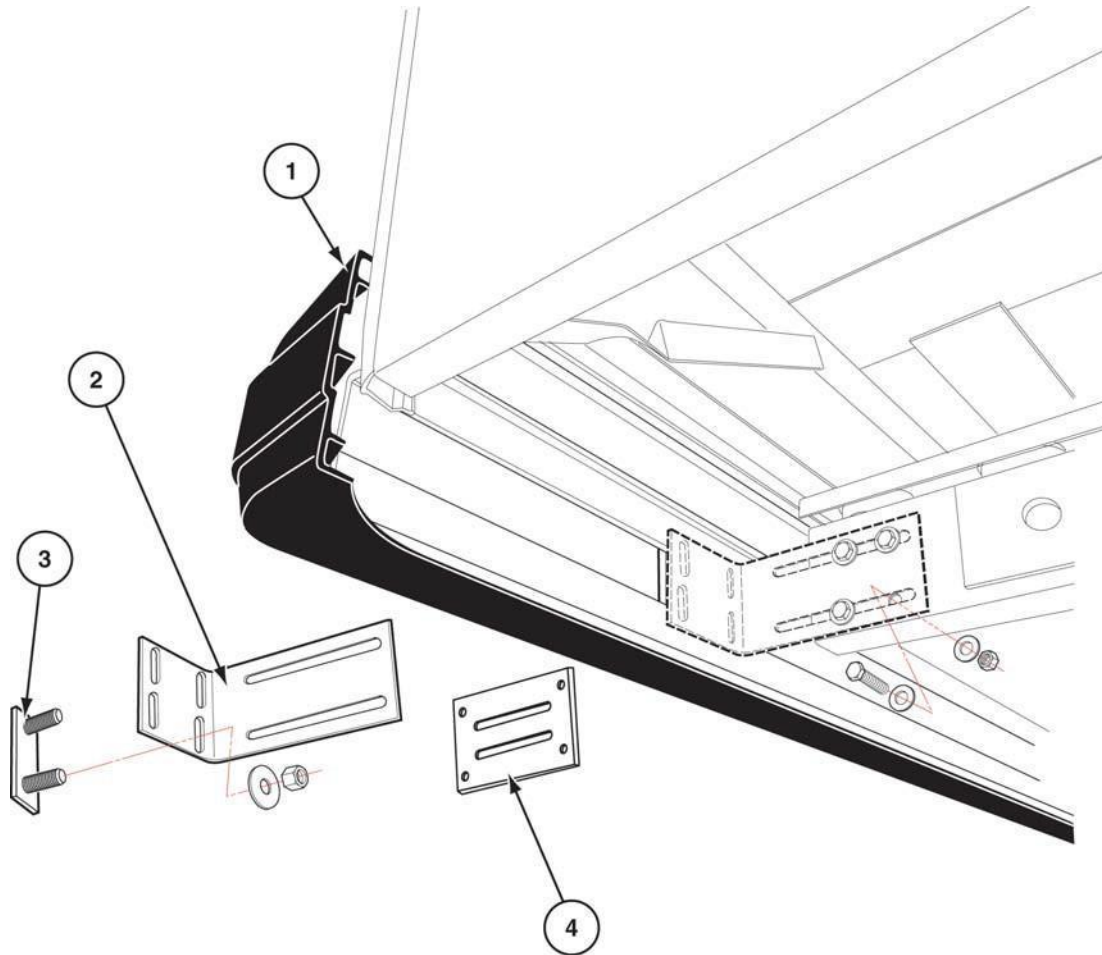
<i>ITEM PART NO. DESCRIPTION</i>	<i>QTY</i>	<i>ITEM PART NO. DESCRIPTION</i>	<i>QTY</i>
01 0375852 Bumper, Rear (9" x 95") 10GA Black	1		
NS 0375652 Bracket, Rear Bumper Adapter Adjust.	2		
NS 0379345 Bracket, Rear Bumper C/S Ford F550	1		
NS 0379346 Bracket, Rear Bumper R/S Ford F550	1		
0406166 Install, Anti-Ride Rear Bumper			
02 4370095 Steel, Coil .021 x 48.0 Painted	10		



INSTALL ANTI-RIDE REAR BUMPER

0400678 - 0406166

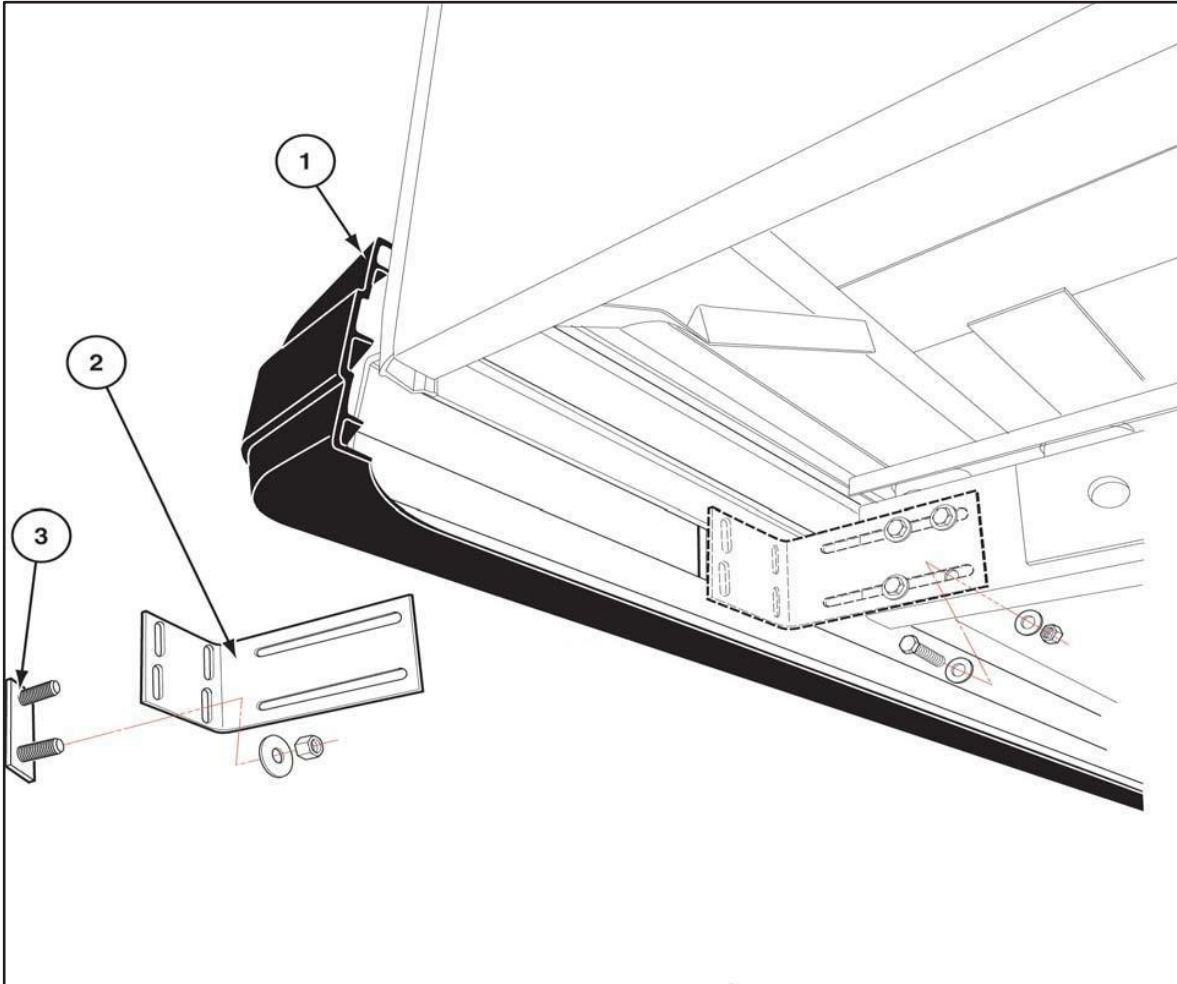
<i>ITEM PART NO. DESCRIPTION</i>	<i>QTY</i>	<i>ITEM PART NO. DESCRIPTION</i>	<i>QTY</i>
01 4370095 STEEL COIL (.21.x 48.0) PAINTED	1		
N/S 7970043 SEALANT, BOSTICK 2100	A/R		
N/S 8570819 POP-RIVET (1/8 x .375 - .624 GRIP) S/S	10		



ROMEO RIM BUMPER W/HAWKEYE DETECTOR

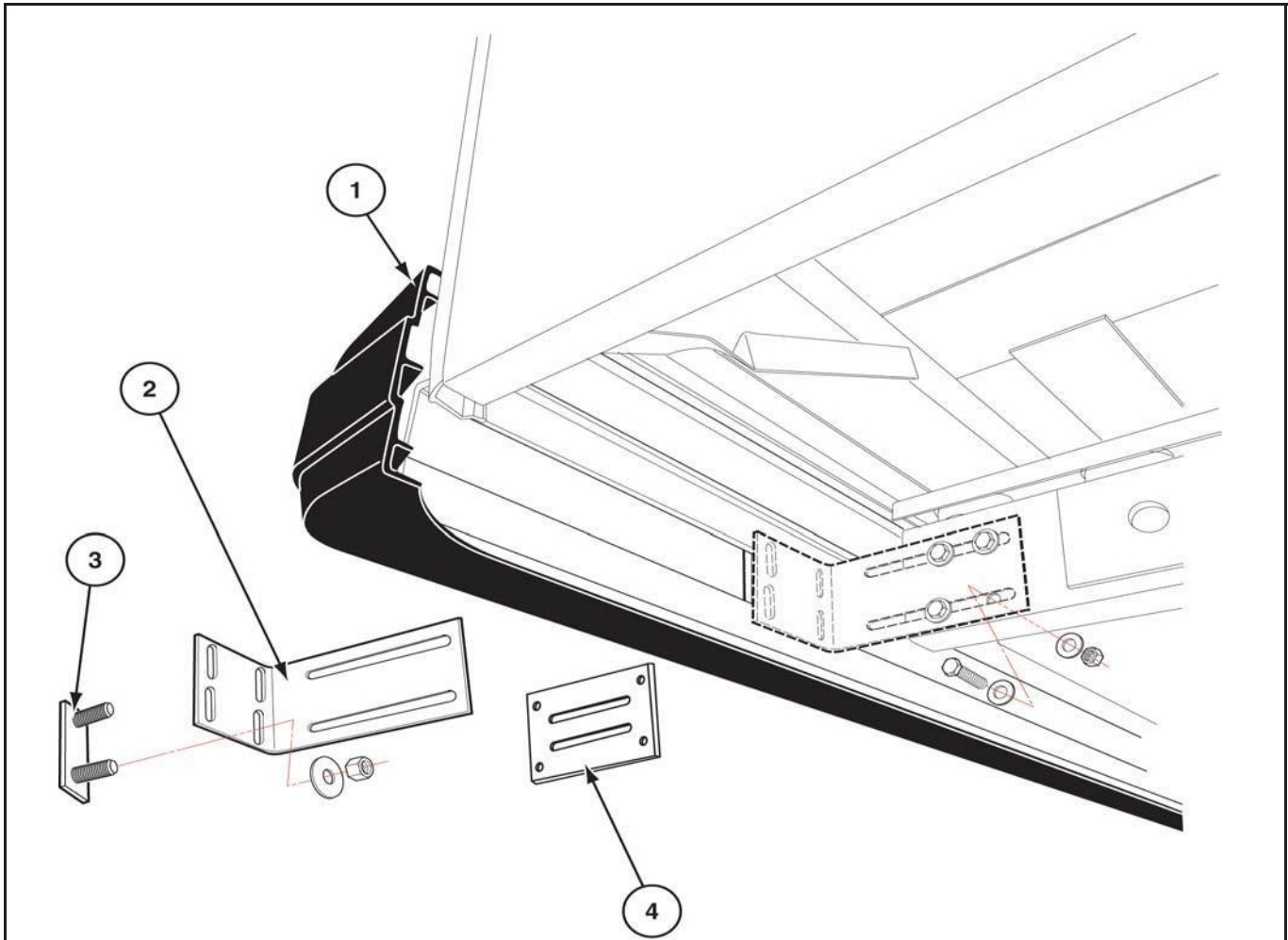
0414338

<i>ITEM PART NO. DESCRIPTION</i>	<i>QTY</i>	<i>ITEM PART NO. DESCRIPTION</i>	<i>QTY</i>
1 0170989 BUMPER, ROMEO RIM W/HAWKEYE DETECTOR	1		
2 0375348 BRACKET, BUMPER MOUNTING	2		
3 0377948 PLATE, REAR BUMPER MOUNTING (PART-B)	4		
4 0377851 PLATE, REAR BUMPER MOUNTING (PART-A)	2		



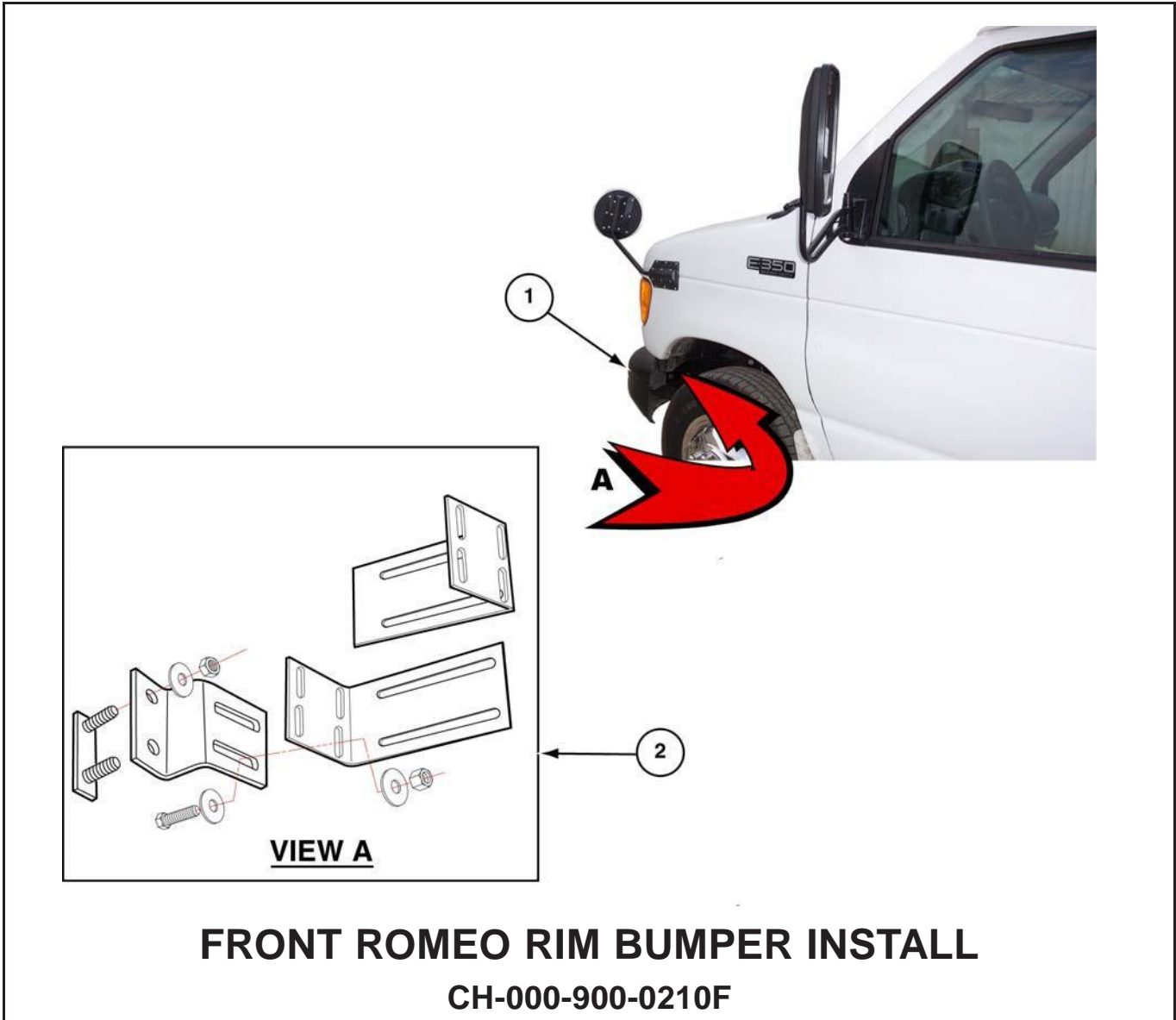
romeo rim rear bumper CH0000050002, 0403558

<i>ITEM PART NO. DESCRIPTION</i>	<i>QTY</i>	<i>ITEM PART NO. DESCRIPTION</i>	<i>QTY</i>
1 0170992 Bumper, Rear Romeo Full Wing	1		
2 0375348 Bracket, Bumper Ford/Chevy	2		
3 0356121 Bracket, Mounting Bolt 1½ x 4½	4		
NS 8570541 Bolt, Hex ½ - 13 x 3¼ GR5 HHCS	8		
NS 8541468 Nut, Hex ½" USS Nyloc GR8	8		
NS 8570876 Washer, Flat 1/2 USS GR8	8		

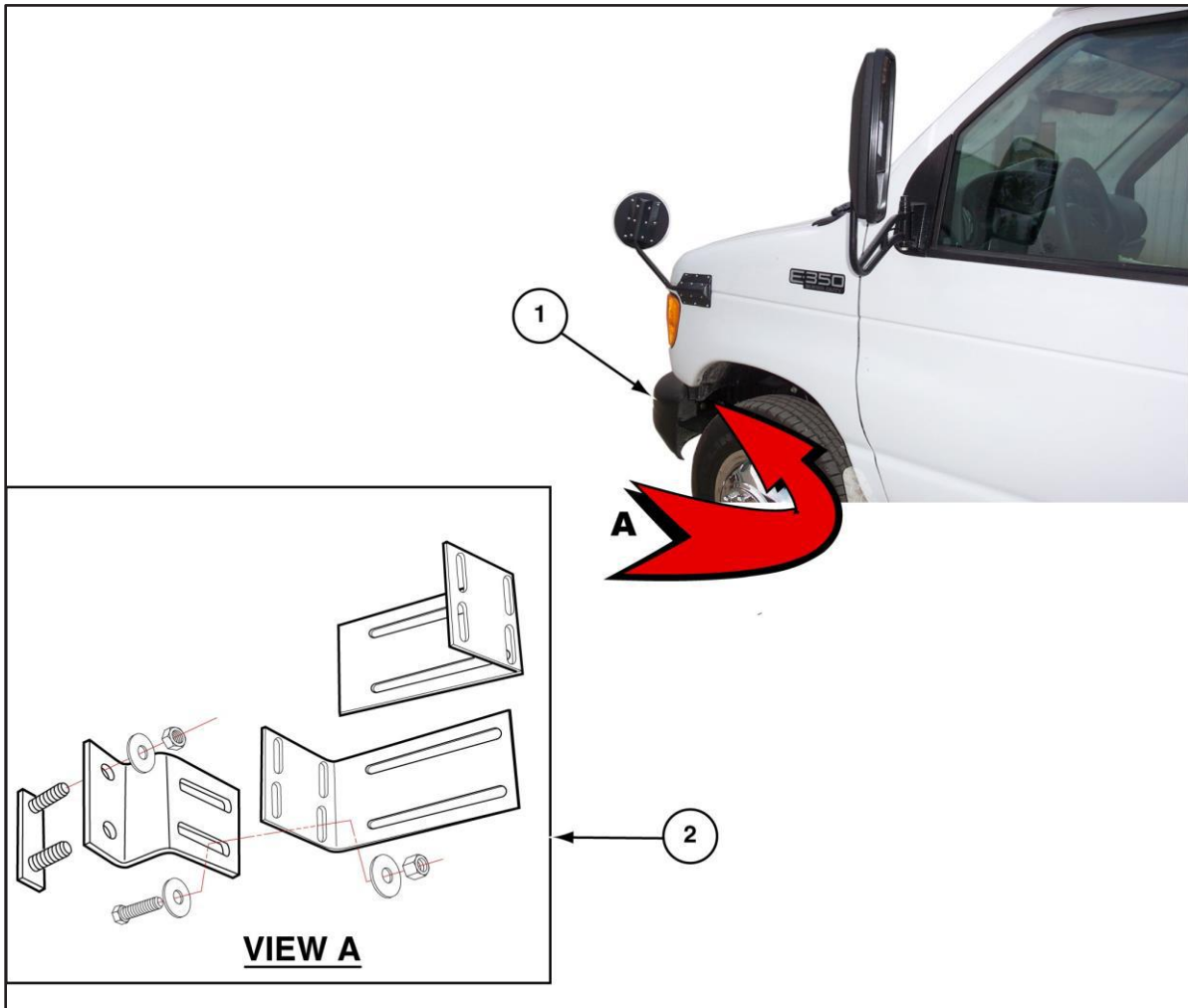


ROMEO RIM REAR BUMPER CH-000-900-0210

<i>ITEM</i>	<i>PART NO.</i>	<i>DESCRIPTION</i>	<i>QTY</i>	<i>ITEM</i>	<i>PART NO.</i>	<i>DESCRIPTION</i>	<i>QTY</i>
1	0170992	BUMPER, ROMEO RIM REAR	1				
2	0375348	BRACKET, BUMPER	2				
3	0356121	BRACKET, MOUNTING BOLT	4				
4	NOT USED						

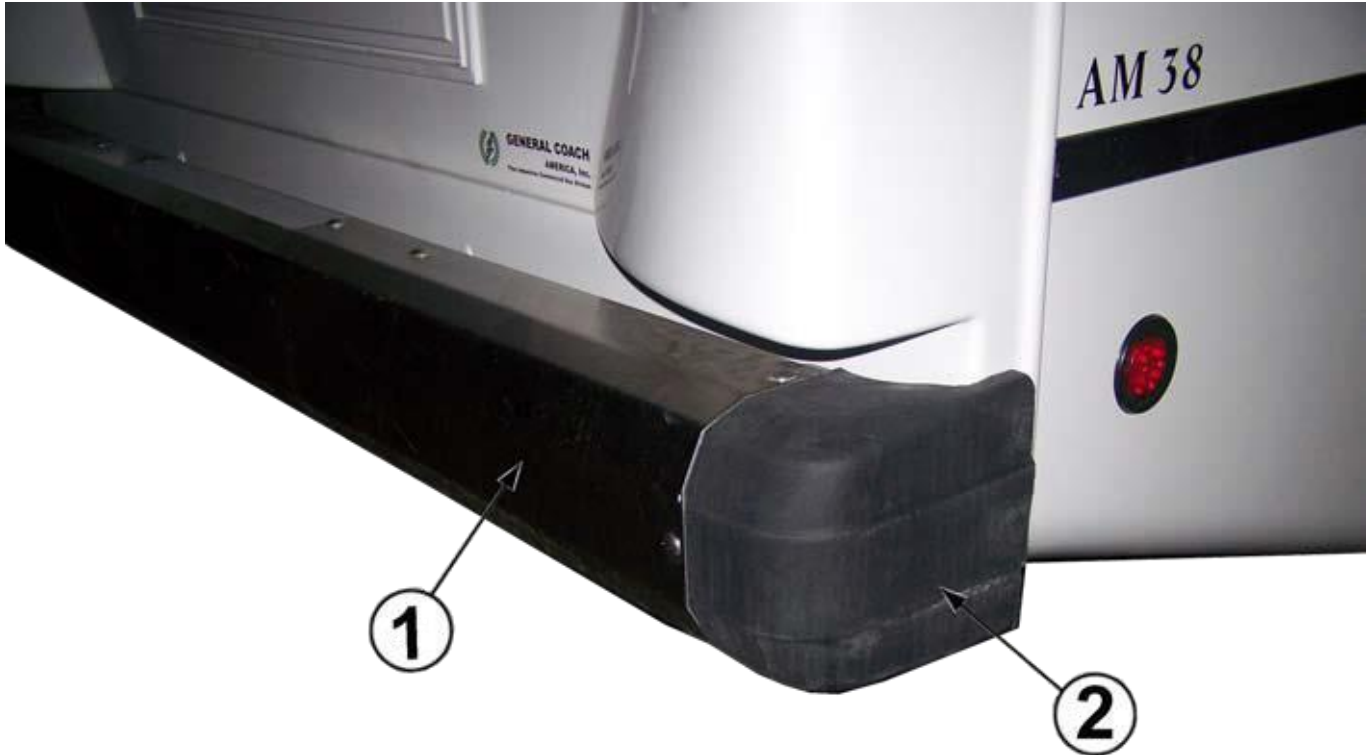


<i>ITEM</i>	<i>PARTNO.</i>	<i>DESCRIPTION</i>	<i>QTY</i>	<i>ITEM</i>	<i>PARTNO.</i>	<i>DESCRIPTION</i>	<i>QTY</i>
1	0170316	BUMPER,92" FRONT ROMEO RIM	1				
2	0170324	KIT, FRONT BUMPER BRACKET	1				



ROMEO RIM FRONT BUMPER (FORD) CH00FD50210

<i>ITEM PART NO. DESCRIPTION</i>	<i>QTY</i>	<i>ITEM PART NO. DESCRIPTION</i>	<i>QTY</i>
1 0171045 BUMPER, ROMEO RIM FRONT '08 FRD	1		
2 017046 BRACKET, ROMEO RIM FRNT '08 FRD	1		



rear Bumper S/S With end caps
0403297 - ch-000-900-3087

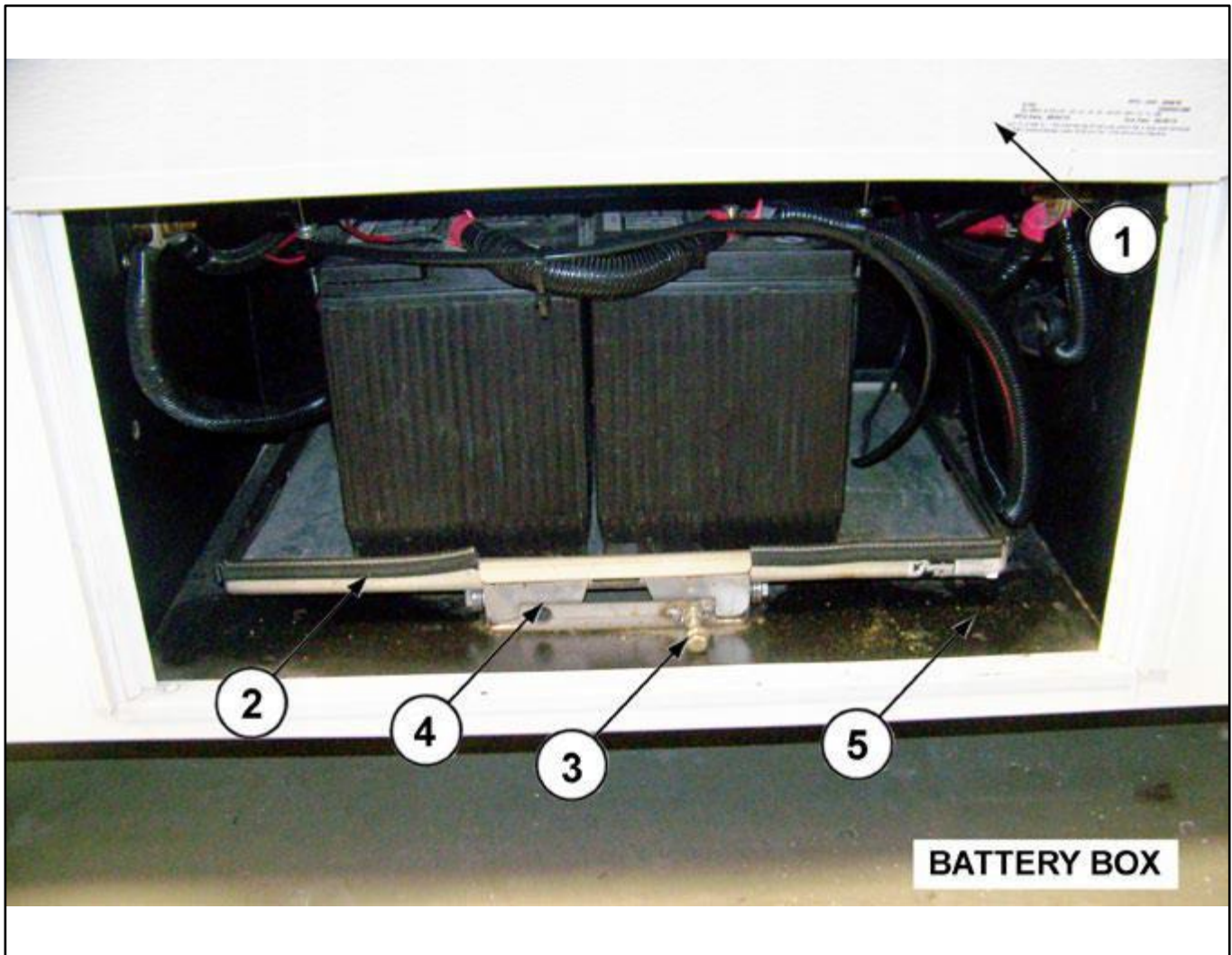
<i>ITEM PART NO. DESCRIPTION</i>	<i>QTY</i>	<i>ITEM PART NO. DESCRIPTION</i>	<i>QTY</i>
0406297		0403296	
1 0370783 Bumper, S/S with End Caps	1	02 3371305 Cap, End Bumper Poly	2
2 0403296 Install, Rear Bumper End Caps	2	NS 8570111 Bolt, Carriage 5/16-18 x 3/4 S/S	3
NS 8570951 Bolt, Hex 1/2-13 x 2 GR8 Plated	8	NS 8540460 Nut, Hex 5/16-18 GRS USS	3
NS 8541468 Nut, Hex 1/2" USS Nyloc GR8	8	NS 8540445 Washer, Flat 5/16 USS Plated	3
NS 8570876 Washer, Flat 1/2 USS GR8	16	NS 5470874 Washer, Lock 5/16	3
NS 0370791 Bracket, Bumper with End Caps	2		



Standard Double Step

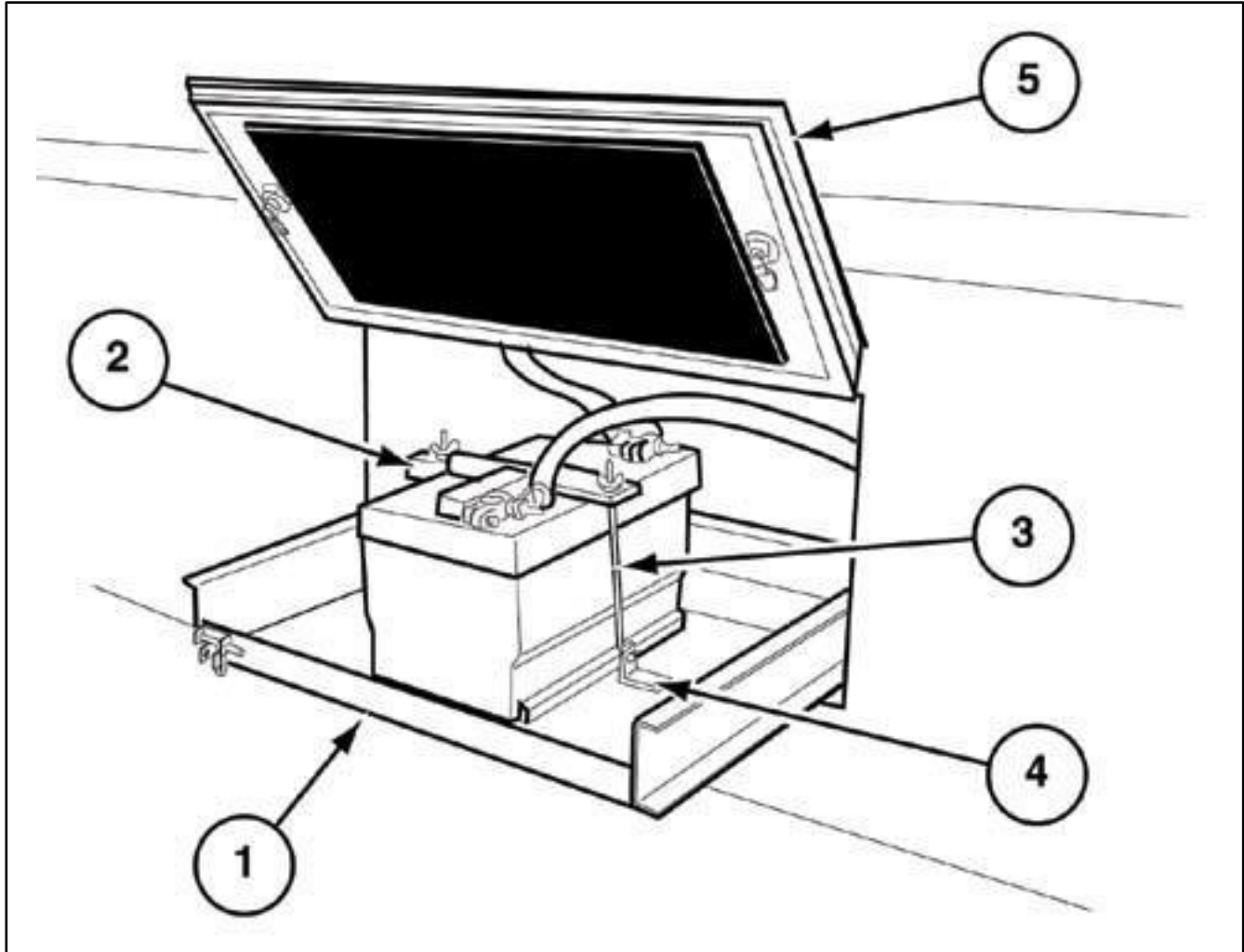
standard double step - manual 0420995

<i>ITEM</i>	<i>PART NO.</i>	<i>DESCRIPTION</i>	<i>QTY</i>	<i>ITEM</i>	<i>PART NO.</i>	<i>DESCRIPTION</i>	<i>QTY</i>
01	0379743	Step, Manual Pull Out Double #928	1				
NS	0379512	Frame, Kwieee Rear Step Mnt W/Step	1				



Battery Box W/ss slide under lift Cx000gW23236/ 0419189 / 0417434

ITEM PART NO. DESCRIPTION	QTY	ITEM PART NO. DESCRIPTION	QTY
CX000GW23236 Battery Box W/SS Slide Under Lift		0417806 Hold Down, Battery W/Carriage Bolts	
NS 0348250 Steel, Flat 11GA x 3 x 10'	AR	NS 8571501 Bolt, Carriage 1/4 x 10"	2
NS 3940905 Block, Terminal Single Pole	6	NS 8571503 Rod, Threaded 1/4-20 x 36" Zinc	1
NS 3971324 Cable, Battery 2GA Black SGX	10	NS 0379090 Bracket, Battery Tiedown W/Carriage	2
NS 3971283 Breaker, 80 AMP Automatic Reset	1	NS 0170609 Line, Air Brake 3/8" Red	1.5
NS 4342879 Steel, Coil .021 x 36.0 Painted	6	NS 8570866 Nut, Wing 1/4-20	6
NS 0375267 Plate, Battery Isolator Support	1	NS 8543118 Washer, Lock 1/4" Plated	6
		NS 8571249 Washer, Flat 1/4 GR8	6
		NS 8570858 Nut, Hex GR8 1/4-20	4
0419189 Box, Battery Tray 15x26 S/S Under Lift		0417434 Install, Battery Cable 4/0 Welding	
05 0379252 Box, Battery 15 x 26 Under Lift	1	NS 3974841 Cable, 4/0 Welding Black	6
01 5370598 Door, Battery 13.2 x 25.75 Three	1	NS 3974844 Terminal, Ring 4/0 x 1/2"	2
4941688 Holder, Door 1"	1	NS 3974909 Terminal, Ring 4/0 x 3/8"	2
		NS 3975086 Tube, Shrink 1-1/2" Black	AR
0418307 Install, Battery Tray S/S PT-2 S/S		NS 3975085 Tube, Shrink 1-1/2" Red	AR
03 8571504 Pin, Clevis 3/16 x 19/32 w/29/64" LE	1	NS 3973519 Stud, Isolated Junction 1/2"	2
04 8571505 Pin, Hitch Clip HP223	1		
02 0379088 Tray, Battery S/S PT-2	1		

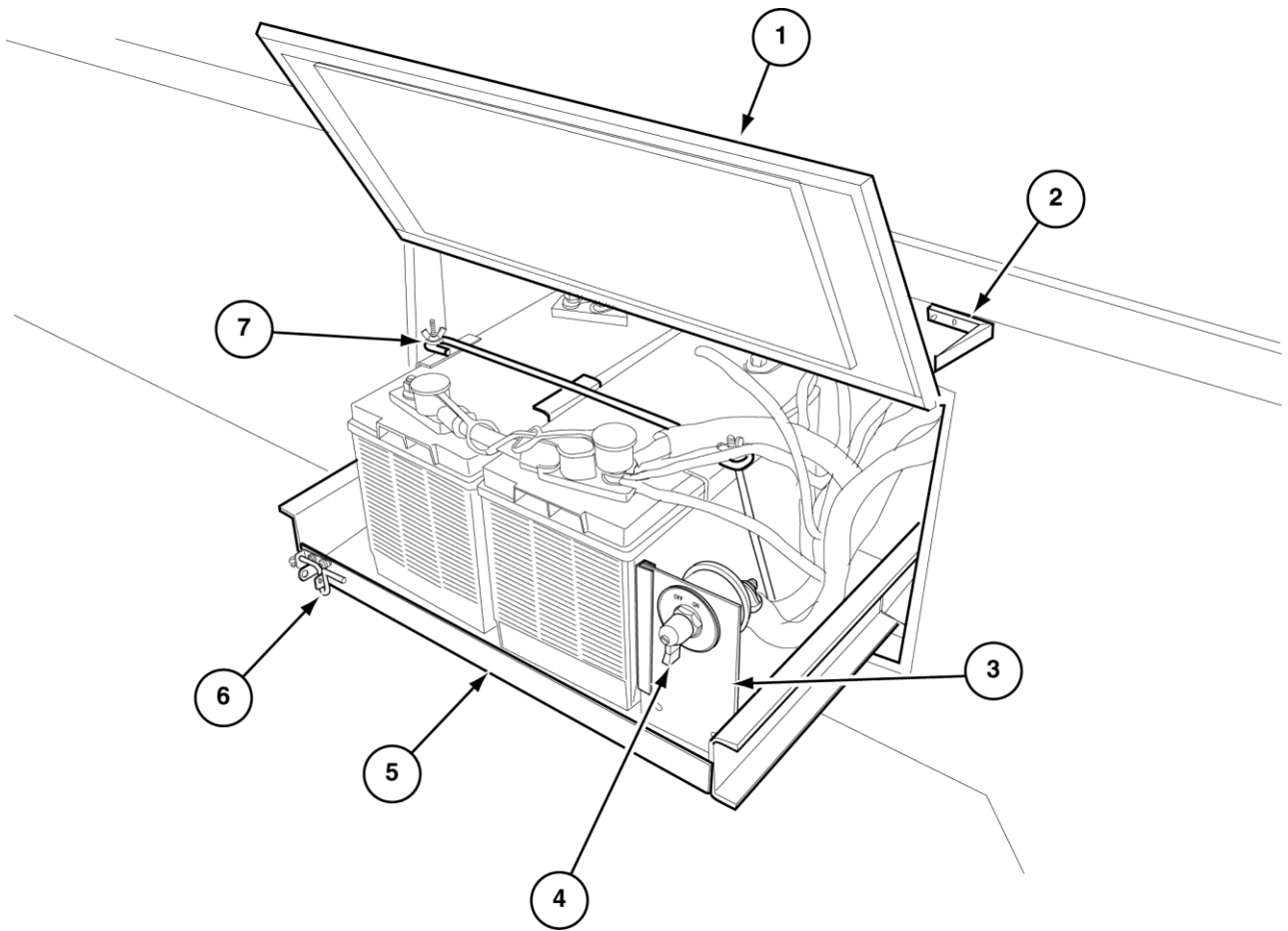


Battery Box & tray 17 x 52

0407816 (rev-B) / 0417806

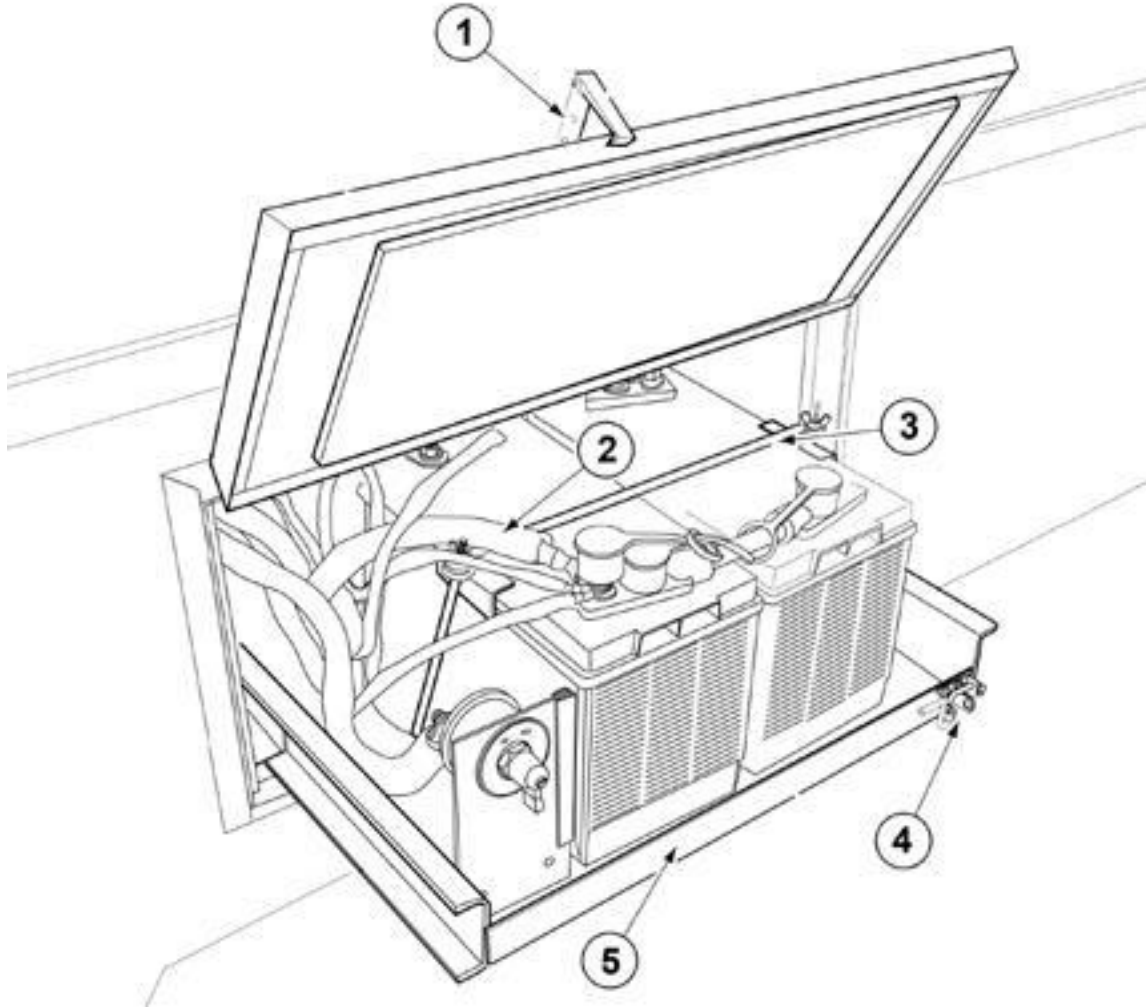
ITEM PART NO. DESCRIPTION	QTY	ITEM PART NO. DESCRIPTION	QTY
0407816 Tray, Battery GM/Ford CH Mount Gas		0417806 Hold Down, Battery W/Carriage Bolts	
01 0376577 Bottom, Battery GT Gas CH Mount	1	02 8571501 Bolt, Carriage 1/4 x 10"	2
3974939 Battery, Group 24 800CCA	1	03 8571503 Rod, Threaded 1/4-20 x 36" Zinc	1
8570202 Holddown, Battery 1/4-20 x 9	2	04 0379090 Bracket, Battery Tiedown W/Carriage	2
3971310 Cable, Battery 4GA SXL Black	5	NS 0170609 Line, Air Brake 3/8" Red	1.5
3972411 Terminal, Battery End Neg. 23399-3	2	NS 8570866 Nut, Wing 1/4-20	6
3972417 Terminal, Battery End Pos. 23399-4	2	NS 8543118 Washer, Lock 1/4" Plated	6
		NS 8571249 Washer, Flat 1/4 GR8	6
		NS 8570858 Nut, Hex GR8 1/4-20	4
		05 5370640 Door, Battery 15.25 x 51.75	1

NOTE: There are actually 2 Batteries in this battery tray.



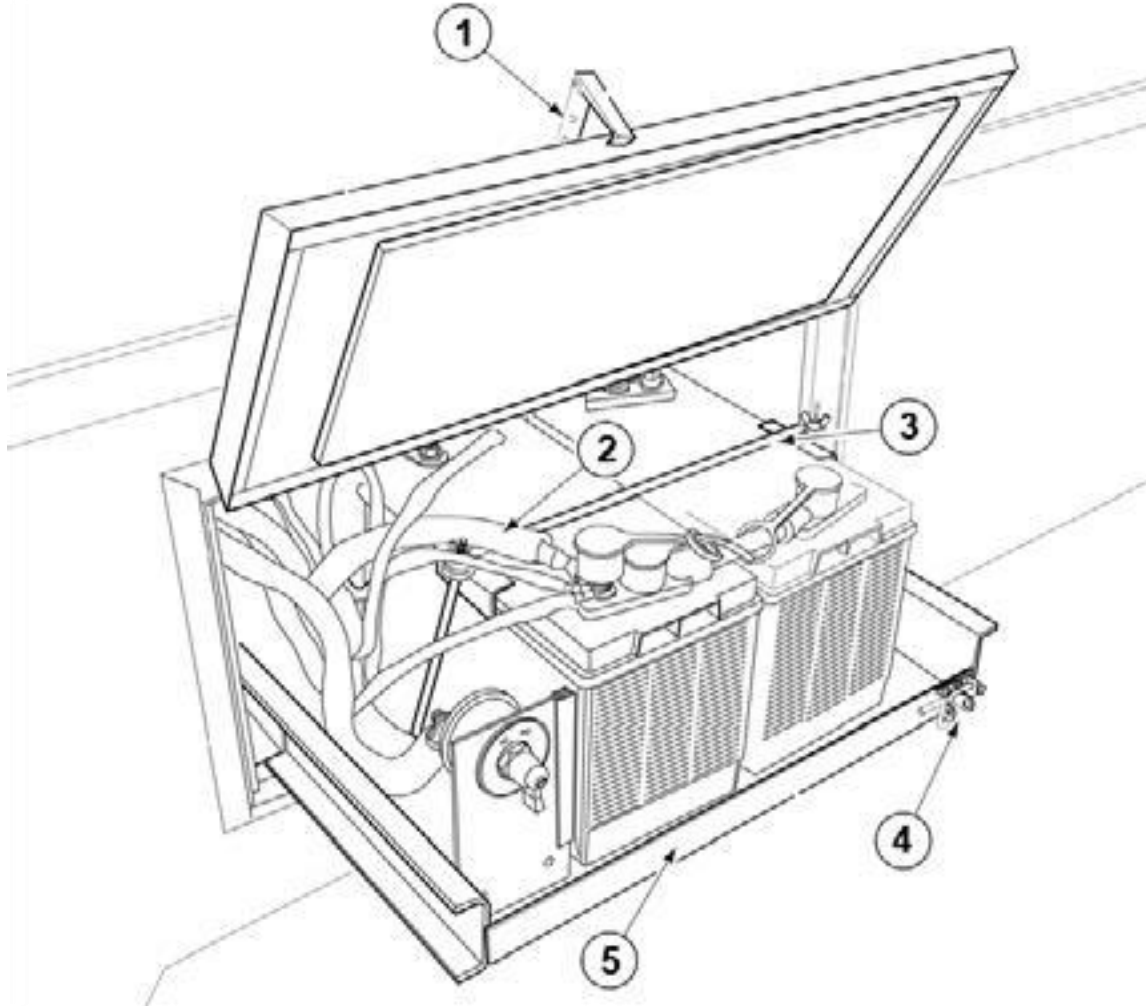
INSTALL bATTERY box w/TrAy 0410559, 0410430(reV-b)

<i>ITEM</i>	<i>PART NO.</i>	<i>DESCRIPTION</i>	<i>QTY</i>	<i>ITEM</i>	<i>PART NO.</i>	<i>DESCRIPTION</i>	<i>QTY</i>
01	5370598	DOOR, BATTERY (13.25 x 25.75)	1	0410430	BATTERY BOX W/S/S SLIDES ASSY		
2	4941688	HOLDER, DOOR	1	05	0377419	BOX, BATTERY I-II-IV 2002 ASSY	1
3	0377520	TRAY, BATTERY	1	N/S	0410430	BOX, BATTERY with S/S SLIDES	1
4	4970517	LATCH, SLIDING BOLT	2	07	3371421	COVER, SCREW ELIXIR WHITE	A/R
N/S	0377175	STRAP, BATTERY TIE-DOWN (.25 x 1 x 17")	2				
06	3973353	MASTER DISCONNECT SWITCH	1				
N/S	4941520	THUMB-LOCK, COMPLETE	2				



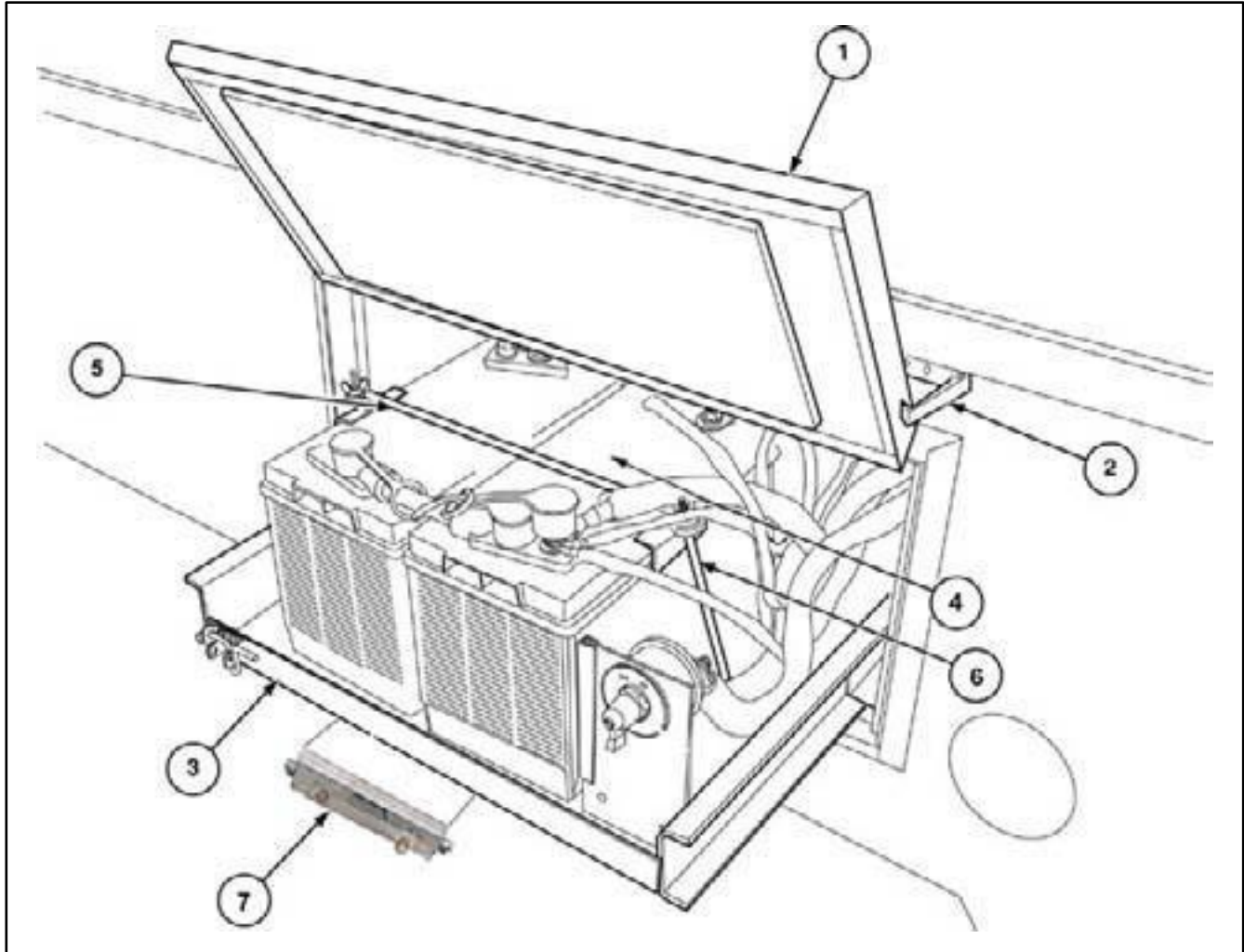
Battery Box w/SS tray SLIDE DSL cx000F523236

ITEM	PART NO.	DESCRIPTION	QTY	ITEM	PART NO.	DESCRIPTION	QTY
CX000F523236 Install, Battery Box W/SS Tray							
01	4941688	Holder, Door 1"	1	NS	8571504	Pin, Clevis 3/16 x 19/32 w/29/64" LE	1
02	3971324	Cable, Battery 4GA Black SGX	AR	NS	8571505	Pin, Hitch Clip HP223	1
	3940905	Block, Terminal Single Pole	3	05	0379088	Tray, Battery s/s PT-2 S/S	1
	3971283	Breaker, 80 amp Automatic Reset	1	0417806 Holddown, Battery W/Carriage Bolts			
NS	0375267	Plate, Battery Isolator Support Ford	1	03	0379090	Bracket, Battery Tiedown W/Carriage	2
NS	3975394	Post, Threaded Conversion (set)	2		8571501	Bolt, Carriage 1/4 x 10"	2
NS	0379524	Bracket, Adapter Battery For F-550	2		8571503	Rod, Threaded 1/4-20 x 36" Zinc	1
NS	4342879	Steel, Coil .021 x 36.0 Painted	AR		0170609	Line, Air Brake 3/8" Red	1.5
NS	0348250	Steel, Flat 11GA x 3 x 10'	AR		3975391	Cable, Flexible 3/0 Black	3
					3975392	Cable, Flexible 3/0 Red	3
0410430 Install, Battery Box Assembly				0417434 Install, Battery Cable 4/0 Welding			
05	0377419	Box, Battery I-II-IV '02 Assy	1	NS	3974844	Terminal, Ring 4/0 x 1/2"	2
	5370598	Door, Battery 13.25 x 25.75	1	NS	3974909	Terminal, Ring 4/0 x 3/8"	2
	3371421	Cover, Screw Elixir White	1.5	NS	3973519	Stud, Isolated Jundtion 1/2"	2
	8571562	Fastener, 3/16 x .040 x .354	2	NS	3972411	Terminal, Battery End Neg. 23399-3	2
0418307 Install, Battery Tray S/S PT-2 S/S				NS	3972417	Terminal, Battery End Pos. 23399-4	2



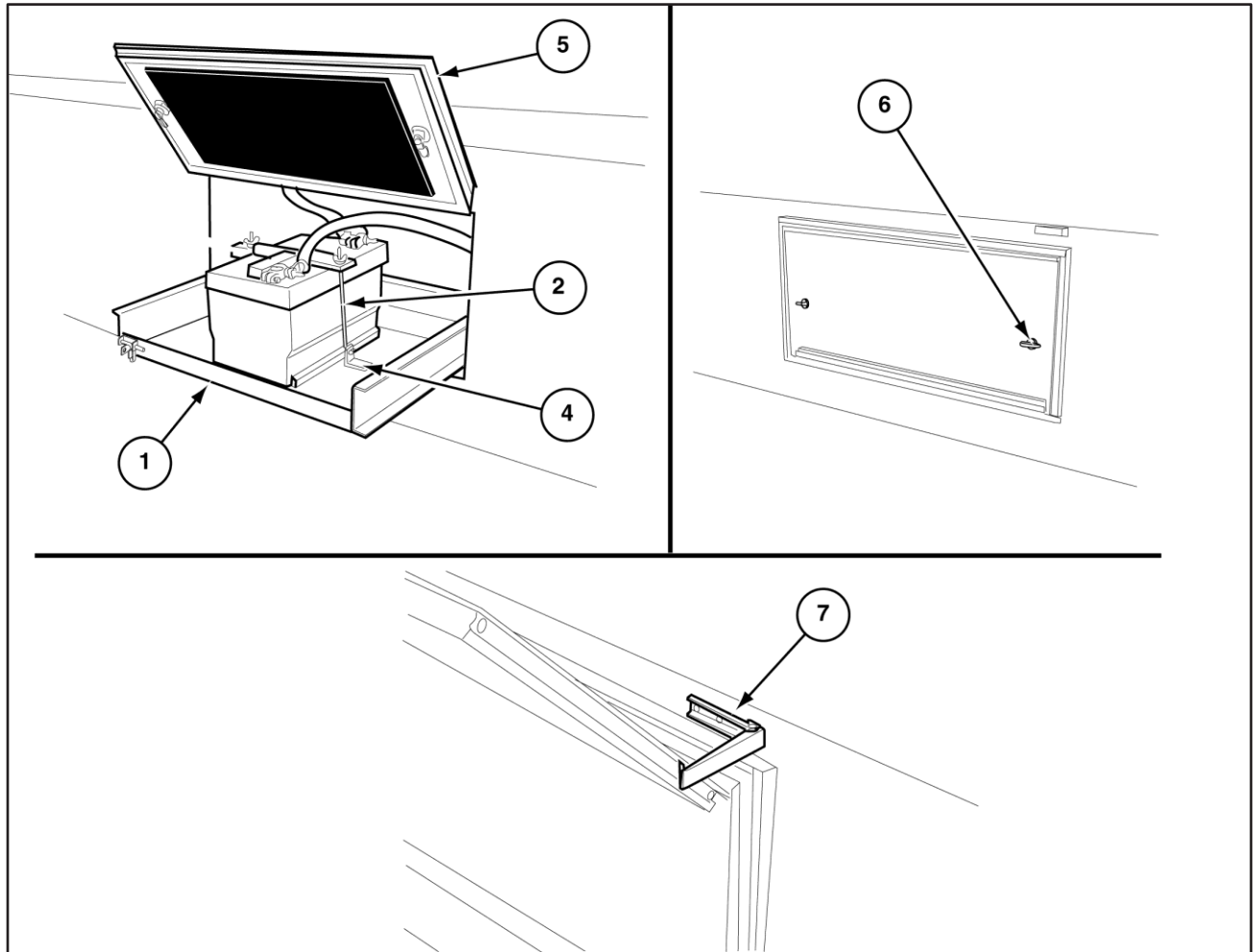
Battery Box w/SS tray SLIDe f550 0420504

ITEM	PART NO.	DESCRIPTION	QTY	ITEM	PART NO.	DESCRIPTION	QTY
	0420504	Install, Battery Box W/SS Tray F550		NS 8571505	Pin, Hitch Clip HP223	1	
01	4941688	Holder, Door 1"	1	05 0379088	Tray, Battery s/s PT-2 S/S	1	
02	3971324	Cable, Battery 2GA Black SGX	AR		0417806 Holddown, Battery W/Carriage Bolts		
	3940905	Block, Terminal Single Pole	3	03 0379090	Bracket, Battery Tiedown W/Carriage	2	
	3971283	Breaker, 80 amp Automatic Reset	1	8571501	Bolt, Carriage 1/4 x 10"	2	
NS	0375267	Plate, Battery Isolator Support Ford	1	8571503	Rod, Threaded 1/4-20 x 36" Zinc	1	
NS	3975394	Post, Threaded Conversion (set)	1	0170609	Line, Air Brake 3/8" Red	1.5	
NS	0379524	Bracket, Adapter Battery For F-550	1	3975391	Cable, Flexible 3/0 Black	3	
NS	4342879	Steel, Coil .021 x 36.0 Painted	AR	3975392	Cable, Flexible 3/0 Red	3	
NS	0348250	Steel, Flat 11GA x 3 x 10'	AR		0417434 Install, Battery Cable 4/0 Welding		
	0410430	Install, Battery Box Assembly		NS 3974844	Terminal, Ring 4/0 x 1/2"	2	
05	0377419	Box, Battery I-II-IV '02 Assy	1	NS 3974909	Terminal, Ring 4/0 x 3/8"	2	
	5370598	Door, Battery 13.25 x 25.75	1	NS 3975086	Tube, Shrink 1 1/2" Black	.5	
	3371421	Cover, Screw Elixir White	1.5	NS 3975085	Tube, Shring 1 1/2" Red	.5	
	8571562	Fastener, 3/16 x .040 x .354	2	NS 3973519	Stud, Isolated Jundtion 1/2"	2	
	0418307	Install, Battery Tray S/S PT-2 S/S		NS 3972411	Terminal, Battery End Neg. 23399-3	2	
NS	8571504	Pin, Clevis 3/16 x 19/32 w/29/64" LE	1	NS 3972417	Terminal, Battery End Pos. 23399-4	2	



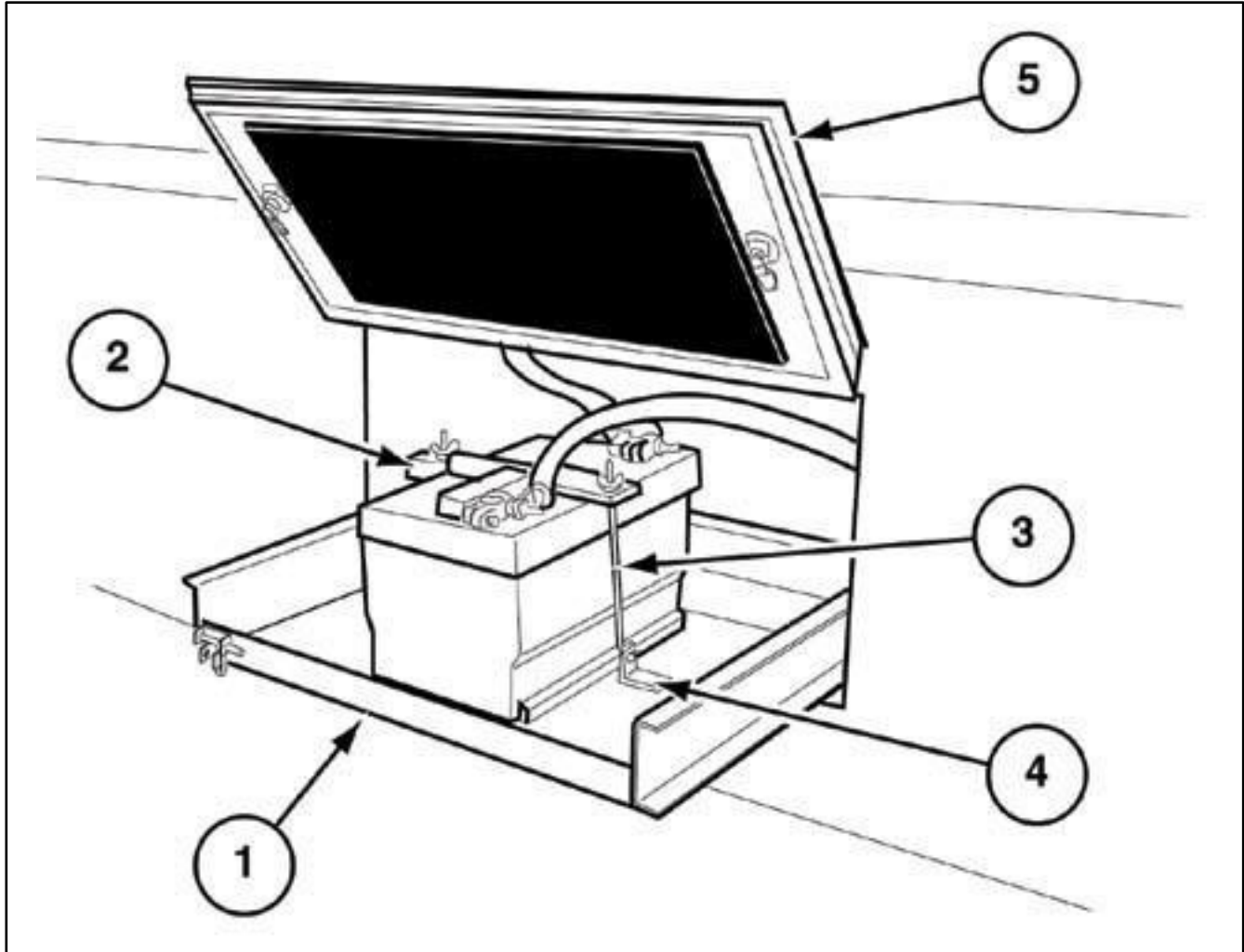
BATTERIES, BATTERY Box & TRAY 17 x 52
0418141 / 0417482 / 0418307 / 0417806

<i>ITEM PART NO. DESCRIPTION</i>	<i>QTY</i>	<i>ITEM PART NO. DESCRIPTION</i>	<i>QTY</i>
0418141 Install, Battery Box/Tray S/S (17 x 52)		0417482 Install, Batteries 925 CCA Dual	
03 0379146 Box, Battery 17 x 52 Assembly	1	04 3974788 Battery, 12 Volt 925 CCA	2
01 5370640 Door, Battery 15.25 x 51.75	1	0417806 Hold Down, Battery W/Carriage Bolts	
0410429 Install, Battery Tray S/S PT2		02 8571501 Bolt, Carriage 1/4 x 10"	2
01 0379088 Tray, Battery S/S PT-2 S/S	1	06 8571503 Rod, Threaded 1/4-20 x 36" Zinc	1
07 8571504 Pin, Clevis 3/16 x 19/32 x W/29/64" LE	1	05 0379090 Bracket, Battery Tiedown W/Carriage	2
07 8571505 Pin, Hitch Clip HP223	1	NS 0170609 Line, Air Brake 3/8" Red	1.5
8570384 Bolt, Hex 1/4-20 x 1" S/S	4	NS 8570866 Nut, Wing 1/4-20	6
8570915 Washer, Flat 1/4" S/S	8	NS 8543118 Washer, Lock 1/4" Plated	6
8571502 Nut, Hex 1/4-20 Nyloc S/S	4	NS 8571249 Washer, Flat 1/4 GR8	6
		NS 8570858 Nut, Hex GR8 1/4-20	4



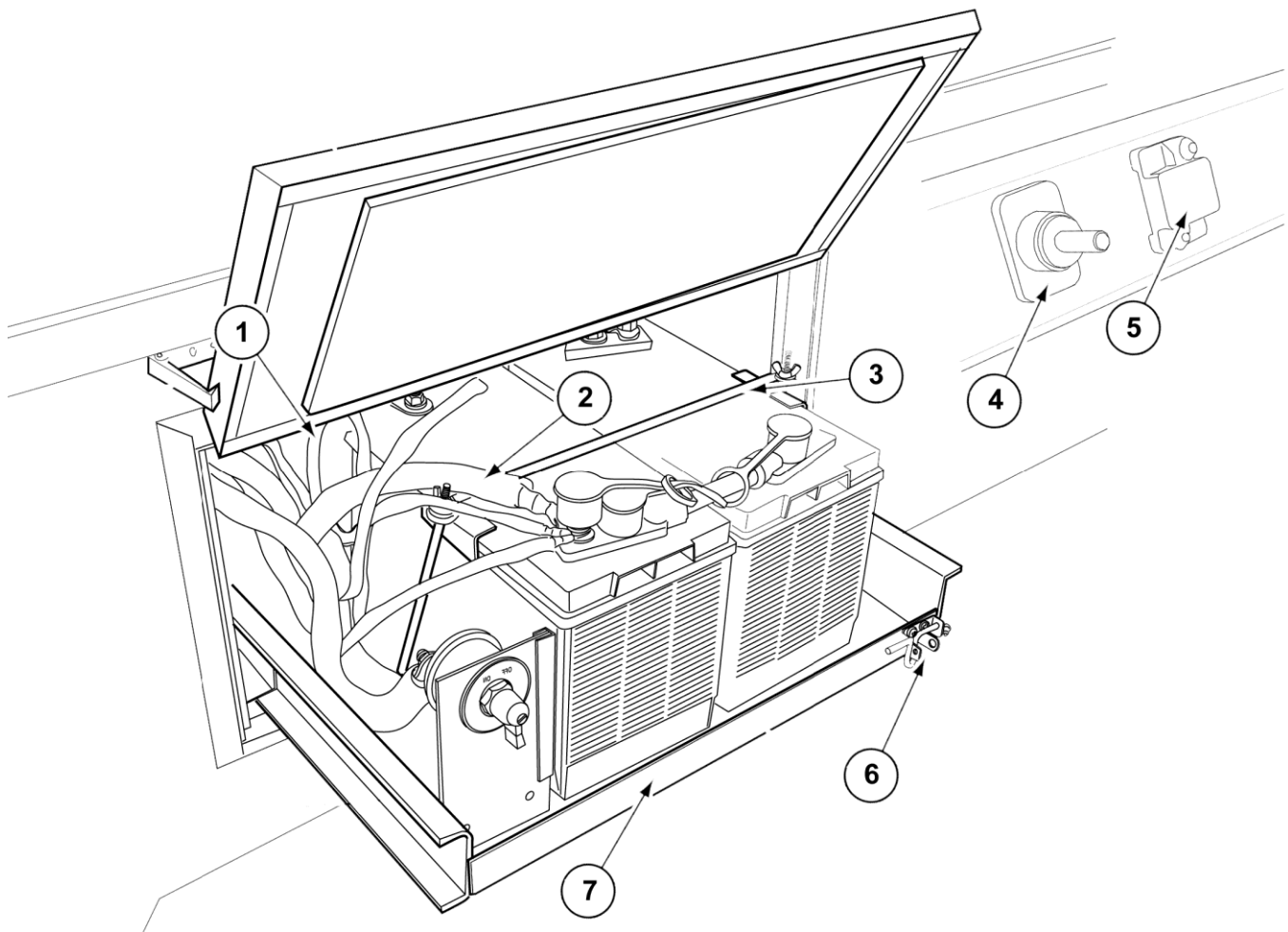
Battery Box w/kwikee tray ch/gm610 cx000fU23235(Box), 0410429(tray)

<i>ITEM PART NO. DESCRIPTION</i>	<i>QTY</i>	<i>ITEM PART NO. DESCRIPTION</i>	<i>QTY</i>
1 0376557 Tray, Battery Kwikee	1		
2 0377175 Strap, Battery Tie Down .25" x 1" x 17	2		
04 0350967 Bracket, Battery Tie Down	4		
05 5370598 Door, Battery 13.25 x 25.75	1		
06 4941520 Thumb-Lock, Complete	2		
07 4941688 Holder, Door 1"	1		



Battery Box with s/s tray-kwikkee
Cx000nh23236/ 0410430 / 0417806

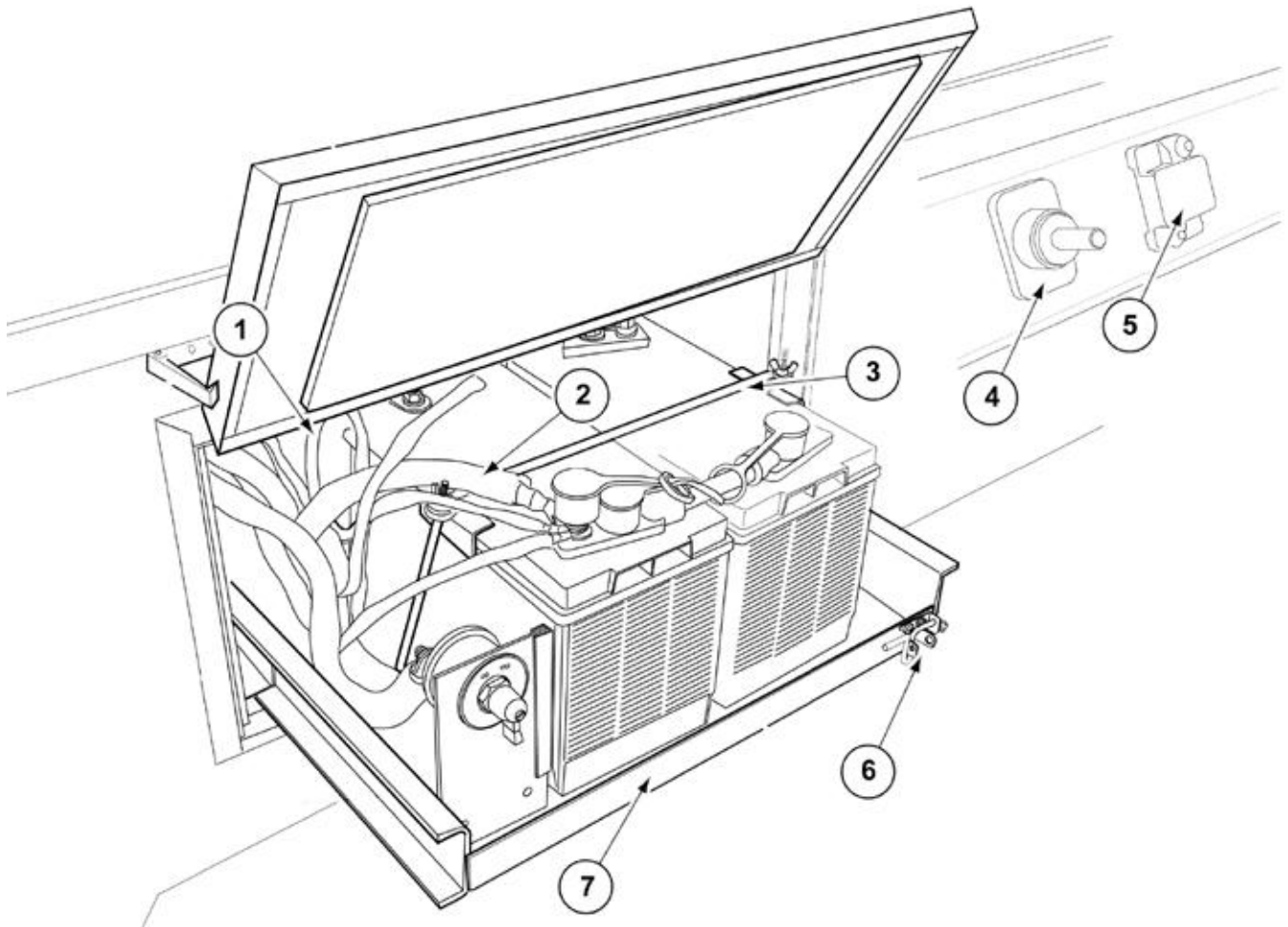
<i>ITEM PART NO. DESCRIPTION</i>	<i>QTY</i>	<i>ITEM PART NO. DESCRIPTION</i>	<i>QTY</i>
CX000M223236 Battery Box #2 W/ Tray 11GA		0417806 Hold Down, Battery W/Carriage Bolts	
NS 0348250 Steel, Flat 11GA x 3 x 10'	AR	02 8571501 Bolt, Carriage 1/4 x 10"	2
NS 3940905 Block, Terminal Single Pole	6	03 8571503 Rod, Threaded 1/4-20 x 36" Zinc	1
NS 3971324 Cable, Battery 2GA Black SGX	10	04 0379090 Bracket, Battery Tiedown W/Carriage	2
NS 3971283 Breaker, 80 AMP Automatic Reset	1	NS 0170609 Line, Air Brake 3/8" Red	1.5
NS 4342879 Steel, Coil .021 x 36.0 Painted	6	NS 8570866 Nut, Wing 1/4-20	6
NS 0770042 Tube, Shrink Red 3/4" 200' SP	1	NS 8543118 Washer, Lock 1/4" Plated	6
NS 3945623 Loom, 1/4" Split Plastic Hi-Temp	10	NS 8571249 Washer, Flat 1/4 GR8	6
NS 3945656 Loom, 1/2" Split Nylon W/Stripe Hi-T	25	NS 8570858 Nut, Hex GR8 1/4-20	4
0410430 Box, Battery Tray 15 x 26 S/S		0417434 Install, Battery Cable 4/0 Welding	
0377419 Box, Battery I-II-IV 2002 Assy	1	NS 3974841 Cable, 3/0 Welding Black	6
05 5370598 Door, Battery 13.2 x 25.75 Three	1	NS 3974844 Terminal, Ring 4/0 x 1/2"	2
4941688 Holder, Door 1"	1	NS 3974909 Terminal, Ring 4/0 x 3/8"	2
8571562 Fastener, 3/16 x .040-.354 Klampтите	2	NS 3975086 Tube, Shrink 1-1/2" Black	AR
		NS 3975085 Tube, Shrink 1-1/2" Red	AR
		NS 3973519 Stud, Isolated Junction 1/2"	2



Battery Box w/ kwiikee tray (reV-a)

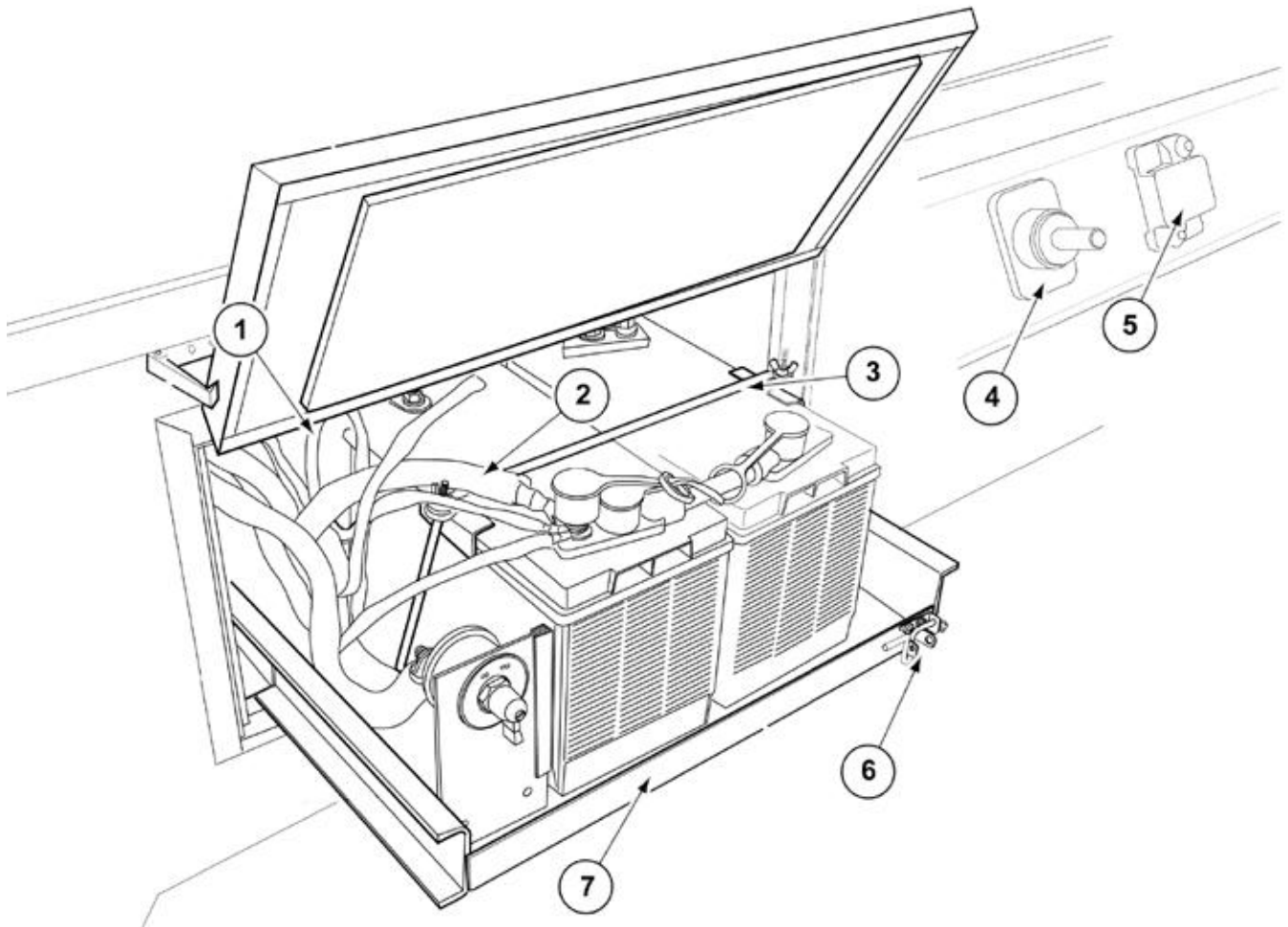
cx000fp23236 - cx000ff23236 - cx000fU23236

ITEM PART NO.	DESCRIPTION	QTY	ITEM PART NO.	DESCRIPTION	QTY
01	4941688 Holder, Door 1"	1	0418307	Install, Battery Tray S/S PT-2	
02	3971324 Cable, Battery 4GA Black SGX	A/R	07	0379088 Tray, Battery S/S PT-2 SS	1
4	3940905 Block, Terminal Single Pole	3		8571504 Pin, Clevis 3/16 x 19/32 W/29/64"	1
5	3971283 Breaker, 80 amp Automatic Reset	1		8571505 Pin, Hitch Clip	1
6	4970517 Latch, Sliding Bolt S/S	2		8570384 Bolt, Hex 1/4-20 x 1" S/S	AR
NS	0375267 Plate, Battery Isolator Support Ford	1		8570915 Washer, Flat 1/4" Stainless Steel	AR
NS	3945656 Loom, 1/2" Split Nylon W/Stripe Hi-T	AR		8571502 Nut, Hex 1/4-20 Nyloc S/S	AR
NS	3945623 Loom, 1/4" Split Plastic Hi-Temp	AR	0417806	Holddown, Battery W/Carriage Bolts	
NS	0348250 Steel, Flat 11GA x 3 x 10'	AR	03	0379090 Bracket, Battery Tiedown W/Carriage	2
NS	4342879 Steel, Coil .021 x 36.0 Painted	6		8571501 Bolt, Carriage 1/4 x 10"	2
0410430	Install, Battery Box Assembly			8571503 Rod, Threaded 1/4-20 x 36" Zinc	1
7	0377419 Box, Battery I-II-IV '02 Assy	1		0170609 Line, Air Brake 3/8" Red	1.5
	5370598 Door, Battery 13.25 x 25.75	1		8570866 Nut, Wing 1/4-20	6
	3371421 Cover, Screw Elixir White	1.5		8543118 Washer, Lock 1/4" Plated	6
	8571562 Fastener, 3/16 x .040 x .354	2		8571249 Washer, Flat 1/4 GR8	6
				8570858 Nut Hex GR8 1/4-20	4



Battery Box w/ kwikee tray Cx000FP23234 - Cx000FU23234

<i>ITEM PART NO. DESCRIPTION</i>	<i>QTY</i>	<i>ITEM PART NO. DESCRIPTION</i>	<i>QTY</i>
CX000FU23234		Install Battery Box W/Kwikee Tray	
1 3971324	A/R	Cable, Battery 2GA Black SGX	
2 3971311	A/R	Cable, Battery 4ga Red	
3 0377175	2	Strap, Battery Tie Down	
4 3940905	3	Block, Terminal Single Pole	
5 3971283	1	Breaker, 80 amp Automatic Reset	
6 4970517	2	Latch, Sliding Bolt S/S	
07 0410429	1	Box, Battery W/Kwikee Tray	
0376557	1	Tray, Battery Kwikee	
0377419	1	Box, Battery I-II-IV 2002 Assy	
5370598	1	Door, Battery 13.25 x 25.75	
4941688	1	Holder, Door 1"	
NS 0350967	1	Bracket, Battery Tie-Down	



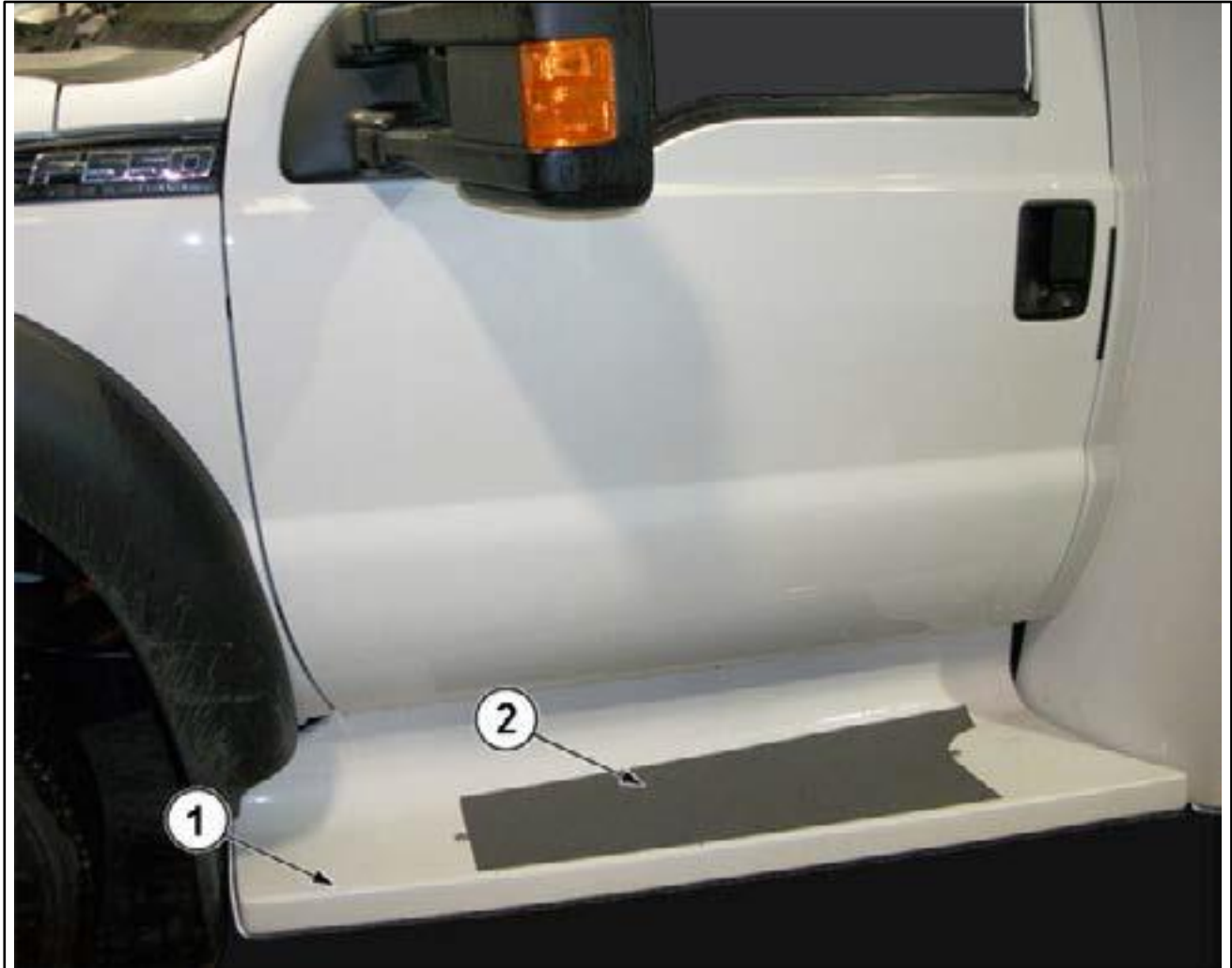
Battery Box w/ kwikee tray cx000fn23234

<i>ITEM PART NO. DESCRIPTION</i>	<i>QTY</i>	<i>ITEM PART NO. DESCRIPTION</i>	<i>QTY</i>
CX000GX23234	Install Battery Box W/Kwikee Tray		
1 3971324	Cable, Battery 2GA Black SGX	A/R	
2 3971311	Cable, Battery 4ga Red	A/R	
3 0377175	Strap, Battery Tie Down	2	
4 3940905	Block, Terminal Single Pole	3	
5 3971283	Breaker, 80 amp Automatic Reset	1	
6 4970517	Latch, Sliding Bolt S/S	2	
7 0410430	Box, Battery w/S/S Slides Assy	1	



R/S aluminum Running board 11828 - FoRd CHaSSiS

<i>ITEM PART NO. DESCRIPTION</i>	<i>QTY</i>	<i>ITEM PART NO. DESCRIPTION</i>	<i>QTY</i>
01 0404031 Install, Running Board CH-R Assy	1	INCLUDES THE FOLLOWING ASSY NUMBERS:	
0377848 Board, Running Aluminum - Ford	1	CX000FF11828	CH-000-900-1828
0379203 Bracket, Part A 6" Running Board	1	CX000FN11828	
4970671 Bumper, Rubber 80 Durometer 1.25 x 1 1	1	CX000FP11828	
4970694 Bumper, Door Stopper Rubber 2.25" BL 1	1	CX000FU11828	
8570384 Bolt, Hex 1/4-20 x 1" S/S	4		
8570194 Nut, Hex 1/4-20 GR8 Nyloc	4		



**d/s fiberglass running board
0419111 (rev-a) - ford f550 CHassis**

<i>ITEM PART NO. DESCRIPTION</i>	<i>QTY</i>	<i>ITEM PART NO. DESCRIPTION</i>	<i>QTY</i>
0419111 Install, Running Board Drivers F-550		NS 0419096 Install, Step Driver's Assy 11GA HRS 1	
01 3371998 Running, Board Driver's F-550	1	0379376 Brace, Front Drivers Step Ford F-550	1
		0379377 Brace, Middle Drivers Step Ford F-550	1
		0379378 Brace, Back Drivers Step Ford F-550	1



**aluminum c/s running board
0417385**

<i>ITEM</i>	<i>PART NO.</i>	<i>DESCRIPTION</i>	<i>QTY</i>	<i>ITEM</i>	<i>PART NO.</i>	<i>DESCRIPTION</i>	<i>QTY</i>
1	0378952	Aluminum, Running Board C/S	1				
2	0379203	Bracket, Part a 6" Running Board	1				
NS	8570384	Bolt, Hex 1/4-20 x 1: S/S	4				
NS	8570194	Nut, Hex 1/4-20 GR8 Nyloc	4				



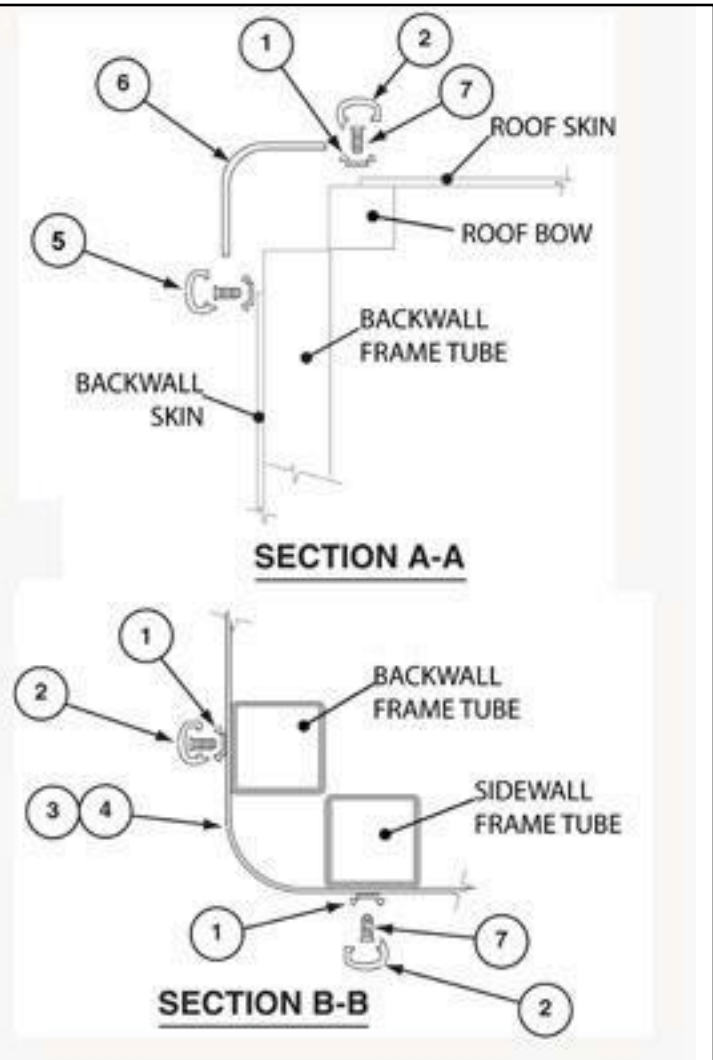
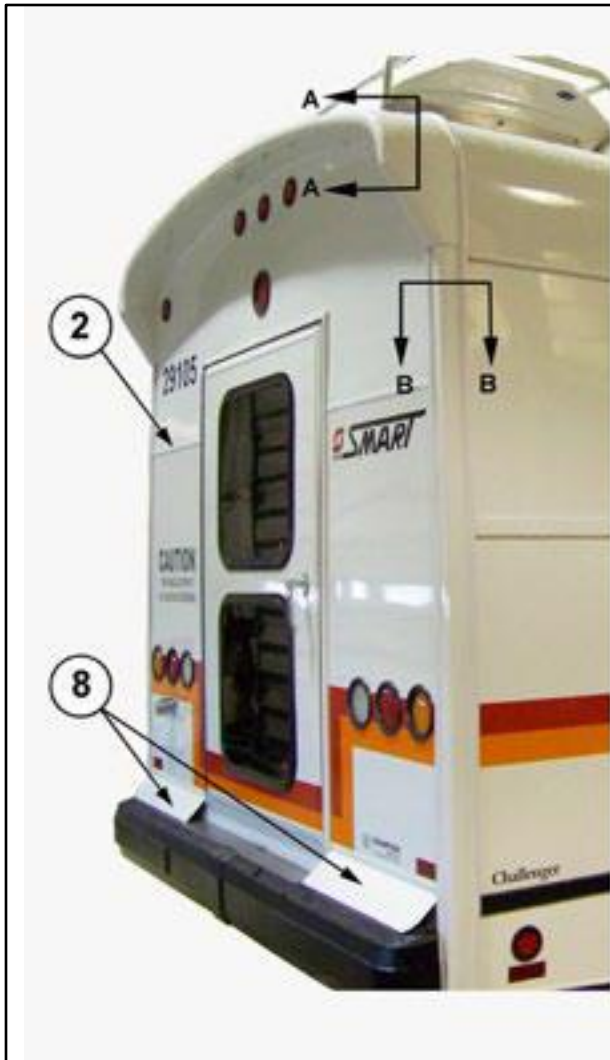
running board 12" wide 10059 - FORD

<i>ITEM PART NO. DESCRIPTION</i>	<i>QTY</i>	<i>ITEM PART NO. DESCRIPTION</i>	<i>QTY</i>
1 6570083 Board, Running D/S 12" Kit	1		
2 0377448 Mud Flap, 12" Wide Running Board	1		
NS 0580027 Flap, Mud Front	1		
NS 0377682 Bracket, Support Running Board	2		
NS 0379050 Plate, Running Board Support 1. 5x7.5	1		
NS 0379051 Plate Running Board Support 2. 5x2.5	1		



40" RUNNING BOARD
CH-000-900-1828

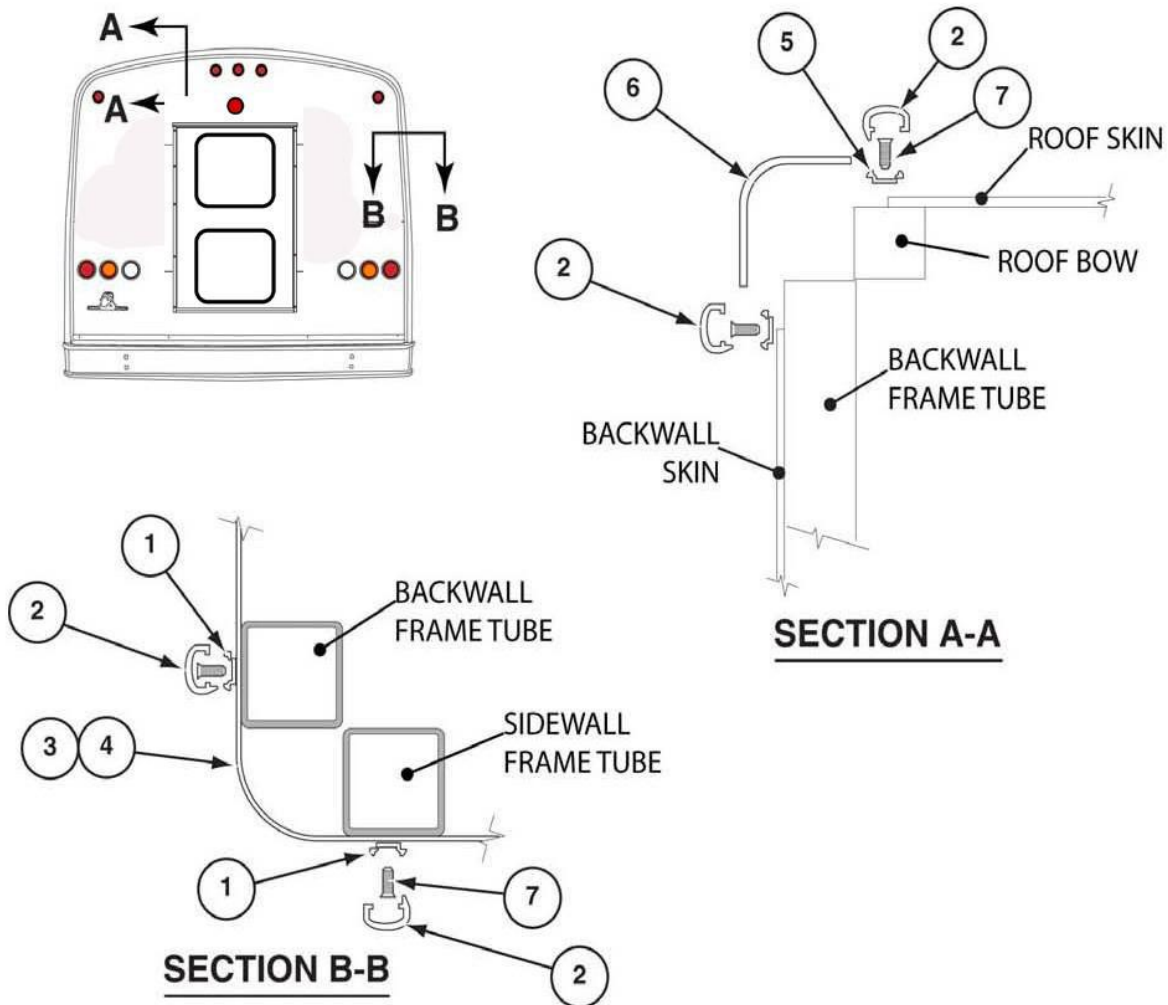
<i>ITEM</i>	<i>PART NO.</i>	<i>DESCRIPTION</i>	<i>QTY</i>	<i>ITEM</i>	<i>PART NO.</i>	<i>DESCRIPTION</i>	<i>QTY</i>
1	0377848	BOARD, RUNNNGR/S 12' KIT	1				
2	0377448	MUDFLAP, FRONT	1				
N/S	0377914	BRACKET SUPPORT RUNNNGBOARD/ Left	1				
N/S	0377915	BRACKET, SUPPORT RUNNING BOARD / Right	1				



REAR FIBERGLASS TRIM

FD-000-999-3090 - 0406335, 0418376

<i>ITEM</i>	<i>PART NO.</i>	<i>DESCRIPTION</i>	<i>QTY</i>	<i>ITEM</i>	<i>PART NO.</i>	<i>DESCRIPTION</i>	<i>QTY</i>
1	4570101	TRACK, RVL ALUMINUM TRIM 2 (12') T6	3.5				
2	3342037F	COVER, RVL .13 Leg Frost White	AR				
3	3371203	TRIM, EXTERIOR Corner Fiberglass 4° C/S	1				
4	3371204	TRIM, EXTERIOR Corner Fiberglass 4° R/S	1				
5	4540266	TRACK, RVL ALUMINUM TRIM 2 (12') T4	1				
6	3371961	CAP, EXTENDED TOP REAR (PN-840)	1				
7	8570931	SCREW (8 x 1) PAN QUAD TEK CLR	AR				
8	4342879	DUST SHIELD, STEEL COIL PAINTED	2				
NS	8570753	SCREW (10 x 1) PAN PHIL S/S BLACK	2				
NS	3975439	HARNESS, F550 SEP BRAKE LIGHTS	1				



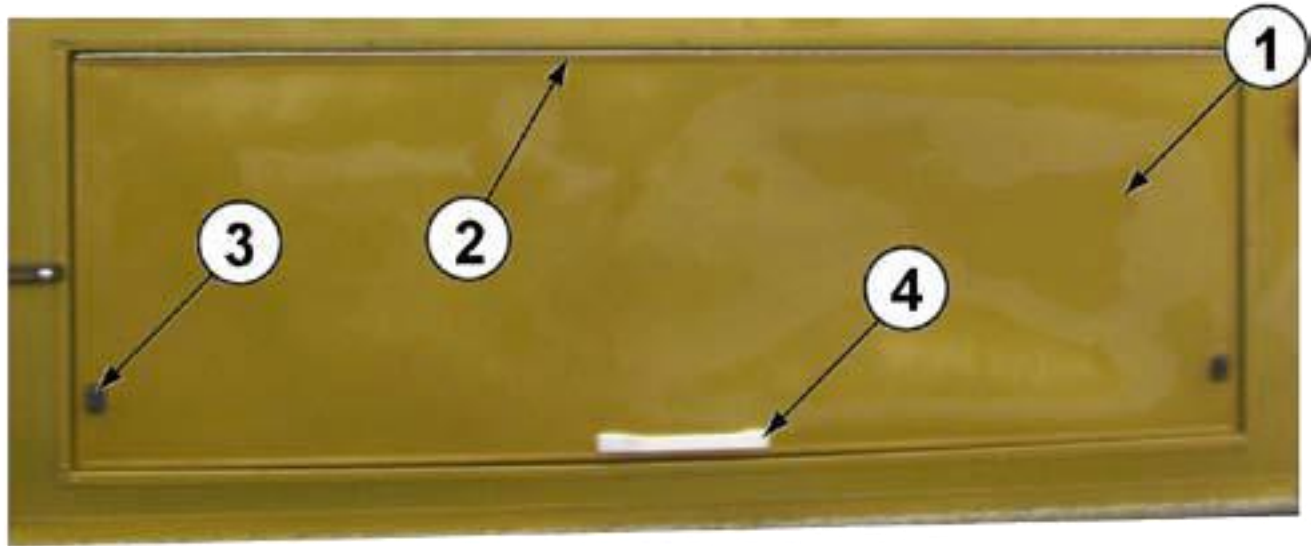
Flat Back REaR End 94" ct-000-900-3090

<i>ITEM PART NO. DESCRIPTION</i>	<i>QTY</i>	<i>ITEM PART NO. DESCRIPTION</i>	<i>QTY</i>
1 4570101 Track, RVL Aluminum Trim 2 (12') T6	4		
2 3342037FCover, RVL .13 Leg Frost White 200' AR	1		
3 3371203 Trim, Exterior Corner 4° CS	1		
4 3371204 Trim, Exterior Corner 4° RS	1		
5 4570101 Track, RVL Aluminum Trim 2 (12") T6	1		
6 3371163 Cap, Exterior Corner 94" 4°	1		
NS 8570753 Screw, (10x1) Pan Phil SS Black	2		
NS 8570931 Screw, (8x1) Pan Quad EmpiGuard	120		



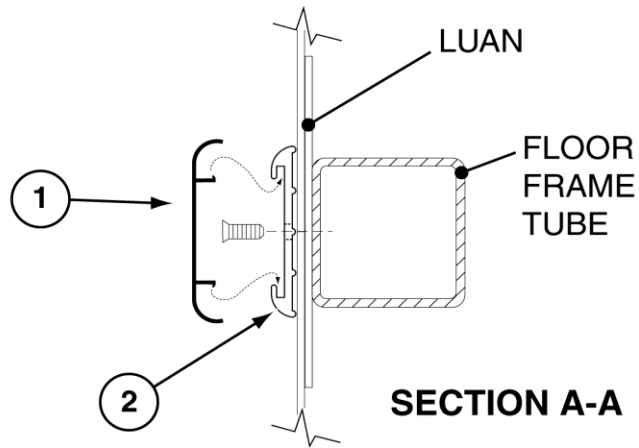
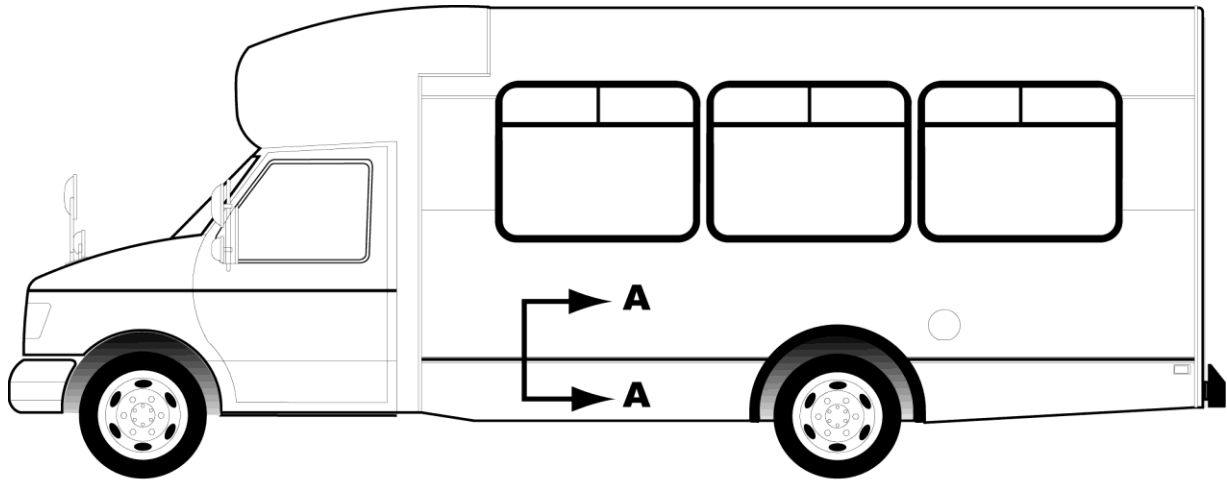
**rear fiberglass cap - bustle back
0419310**

<i>ITEM</i>	<i>PART NO.</i>	<i>DESCRIPTION</i>	<i>QTY</i>	<i>ITEM</i>	<i>PART NO.</i>	<i>DESCRIPTION</i>	<i>QTY</i>
01	3372013	Cap, Rear Fiberglass Ford CH Bustle	1				
NS	5971151	Plexiglass, 1/4" x 4" x 8' Lt. Gray	1				
NS	0970146	Sheet, Wood Wiggle 1/8" x 4' x 8'	3				
NS	9770067	Coating, Maxiguard 216 Light Gray	AR				



rear cargo door - bustle back 0419463

<i>ITEM PART NO. DESCRIPTION</i>	<i>QTY</i>	<i>ITEM PART NO. DESCRIPTION</i>	<i>QTY</i>
0419218 Door, Rear Cargo 94" CH BB		0419463 Jamb, Rear Cargo 94" CH BB	
1 0970105 Panel, Gelcoat 48 x 96 1.7mm Thick	1	NS 4570105 Z, .75 x 1 x 2 x 120 Aluminum	2
2 4970662 Hinge, S/S 2" x 72" Staggered Holes	1	NS 0419217 Backwall, Frame CH Bustle 94" Rear	1
3 4970574 Latch, Wise Action Tubular Key	2		
4 Not Available at this Time			
NS 3351566 Seal, Trim Lok Large Bulb	1		
NS 1570283 U-Channel, Rigid 1-1/8" x 8' Dull White	2		
NS 4970545 Strut, Gas 60# 14.0"	2		
NS 4541173P Cap, Drip 16' Polar White	1		
NS 0970116 Filon, 48" x 96" .035 Smooth White	1		

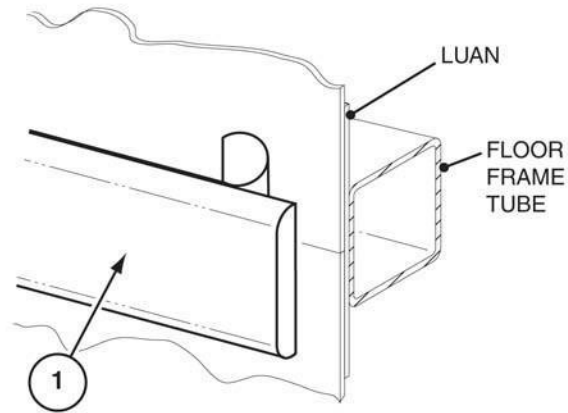
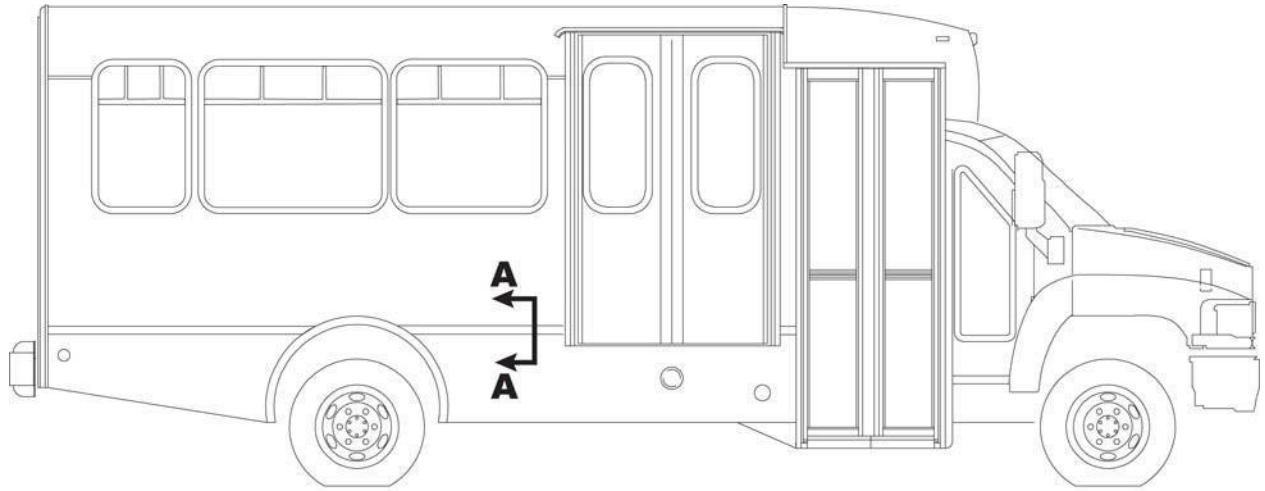


RUB RAIL

0411274 (23' oR Less)

0411275 (25' oR gReAteR)

<i>ITEM</i>	<i>PART NO.</i>	<i>DESCRIPTION</i>	<i>QTY</i>	<i>ITEM</i>	<i>PART NO.</i>	<i>DESCRIPTION</i>	<i>QTY</i>
01	4570148	CAP, RUB RAIL 2" x 16' T-5	AR				
02	4570147	RAIL, RUB 2" WIDE x 16' WHITE T-5	AR				



SECTION A-A

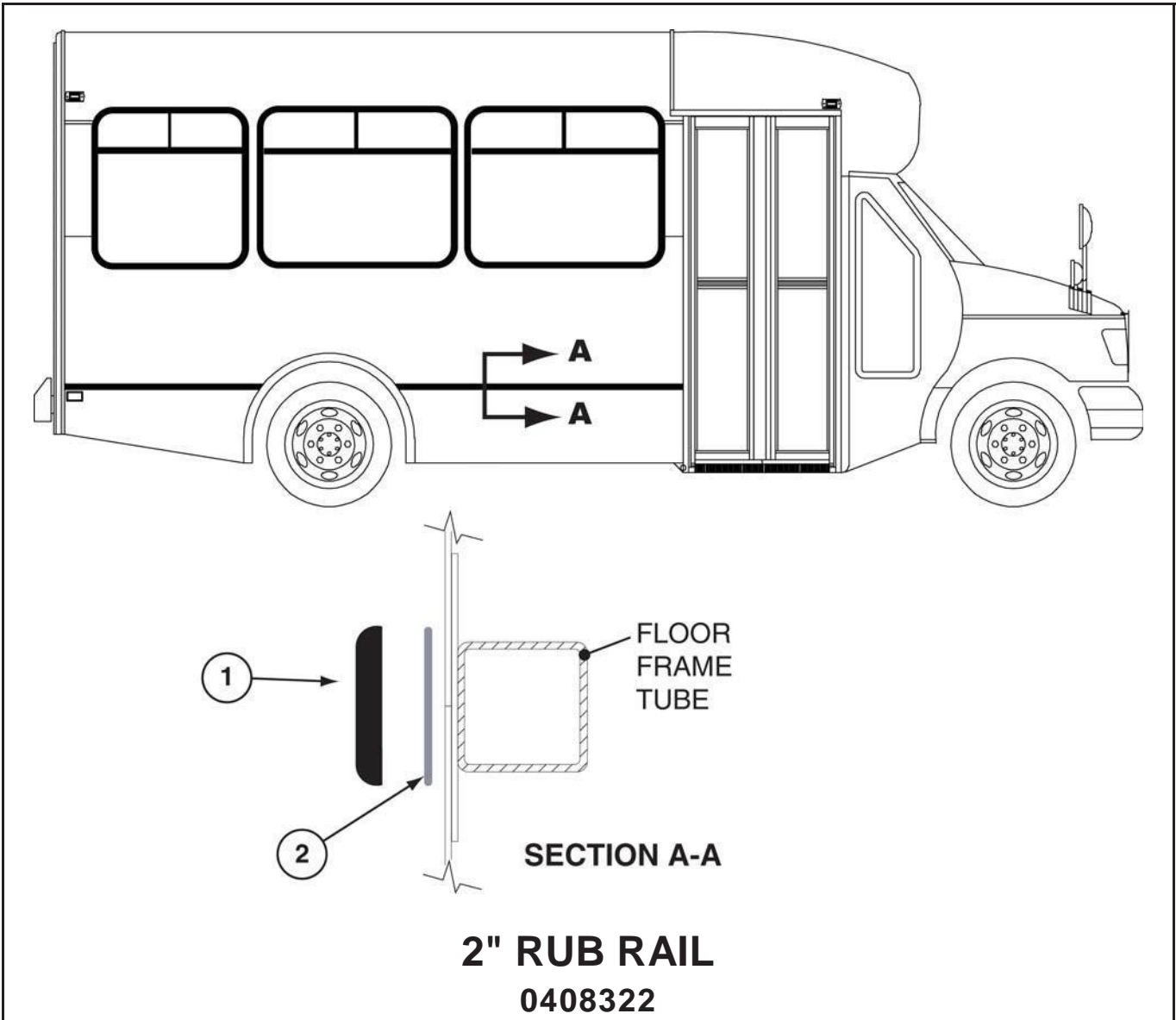
**STICK ON RUB RAIL
0414006**

<i>ITEM</i>	<i>PART NO.</i>	<i>DESCRIPTION</i>	<i>QTY</i>	<i>ITEM</i>	<i>PART NO.</i>	<i>DESCRIPTION</i>	<i>QTY</i>
01	4570155	RAIL, RUB BLACK STICK-ON (1.75" X 42')	A/R				



INSTALL MUD FLAP 0408366

<i>ITEM PARTNO. DESCRIPTION</i>	<i>QTY</i>	<i>ITEM PARTNO. DESCRIPTION</i>	<i>QTY</i>
01 0541037 FLAP,MUD(18x24BLACKw/LOGO)	2		



<i>ITEM</i>	<i>PART NO.</i>	<i>DESCRIPTION</i>	<i>QTY</i>	<i>ITEM</i>	<i>PART NO.</i>	<i>DESCRIPTION</i>	<i>QTY</i>
1	1570196	MOLDING, RUB RAIL VINYL (BLACK)	A/R				
2	8970528	TAPE, DOUBLE SIDED	A/R				



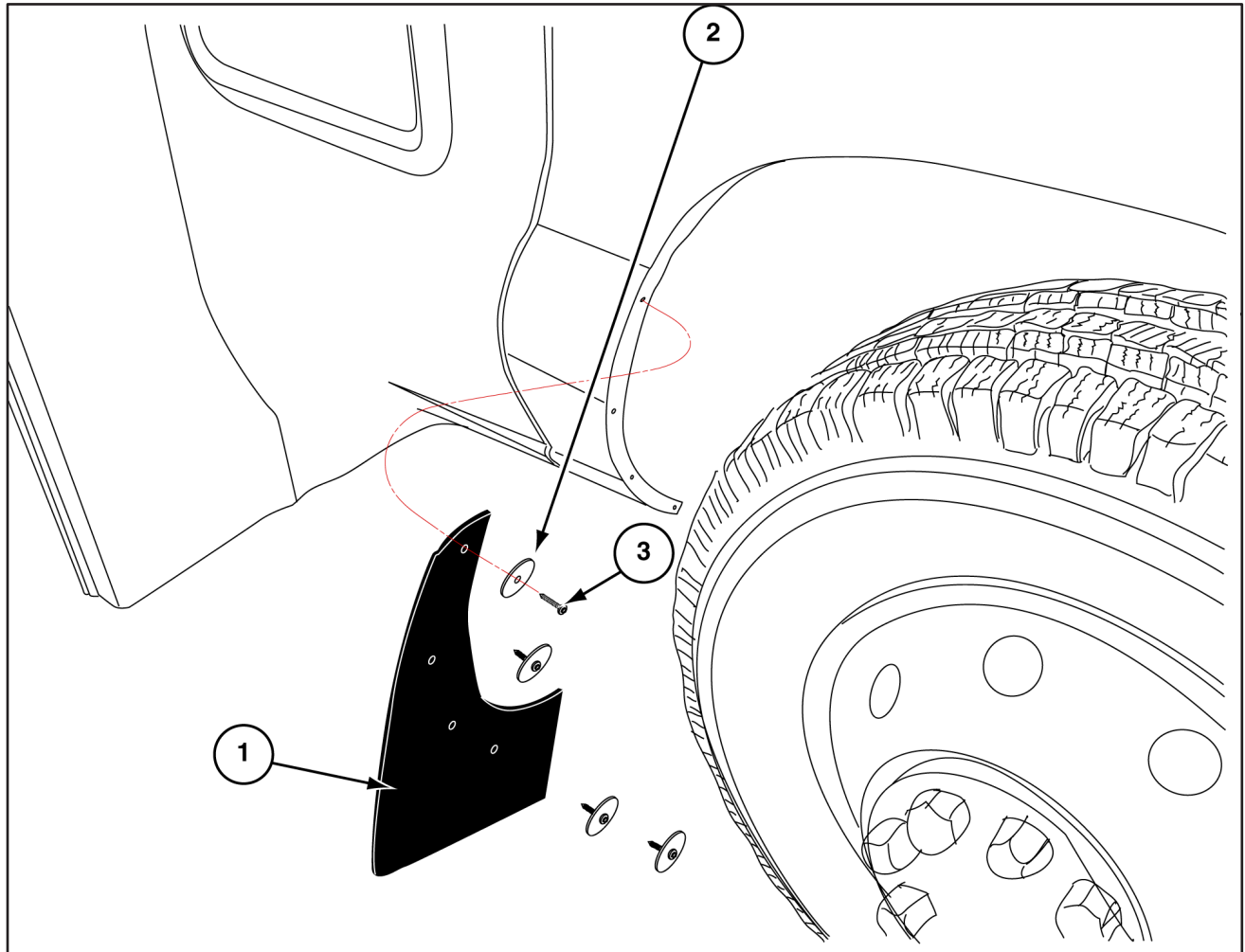
MUD FLAP (20" X 28")
0408551

<i>ITEM</i>	<i>PART NO.</i>	<i>DESCRIPTION</i>	<i>QTY</i>	<i>ITEM</i>	<i>PART NO.</i>	<i>DESCRIPTION</i>	<i>QTY</i>
01	0570002	MUD FLAP (20" x 28")	2				



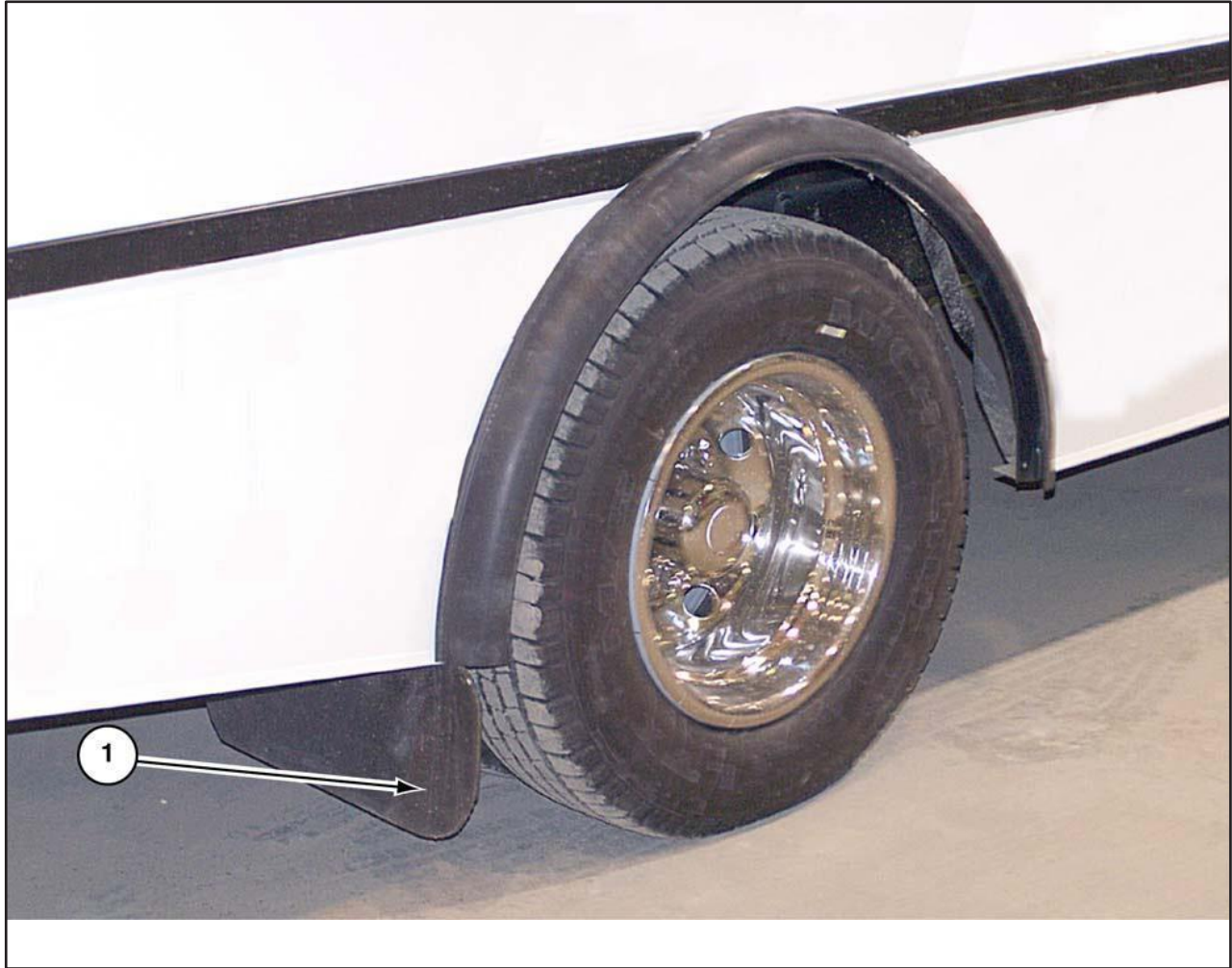
**front & rear mud flaps 24" x 33"
0419955 (flat floor)**

<i>ITEM</i>	<i>PART NO.</i>	<i>DESCRIPTION</i>	<i>QTY</i>	<i>ITEM</i>	<i>PART NO.</i>	<i>DESCRIPTION</i>	<i>QTY</i>
01	0570232	Flap, Mud 1/4" x 24" x 33" Rubber	4				
NS	0379623	Bracket, Mud Flap T-Support	2				
NS	0379624	Bracket, Mud Flap Support Part-B	2				



FRONT MUD FLAPS CH/CR 10605/ -0605

<i>ITEM PART NO. DESCRIPTION</i>	<i>QTY</i>	<i>ITEM PART NO. DESCRIPTION</i>	<i>QTY</i>
01 0580027 Flap, Mud Front	2	REFERS TO ALL ASSEMBLIES LISTED BELOW:	
02 8540940 Washer, Flat 3/16 USS	10	CX000FN10605	0403561
03 8570936 Screw, 8 x 1 Pan Quad T2 Cad Blk	10	CX000FF10605	
NS 8570910 Washer, Shim 3/16"	10	CX000FP10605	
		CX000FL10605	
		CX000FU10605	
		CX000GA10605	
		CX000GB10605	
		CH-000-900-0605	
		CT-000-900-0605	



mud flap 24" x 33"
0410411 / 0413997 / 0413841 / 0414024

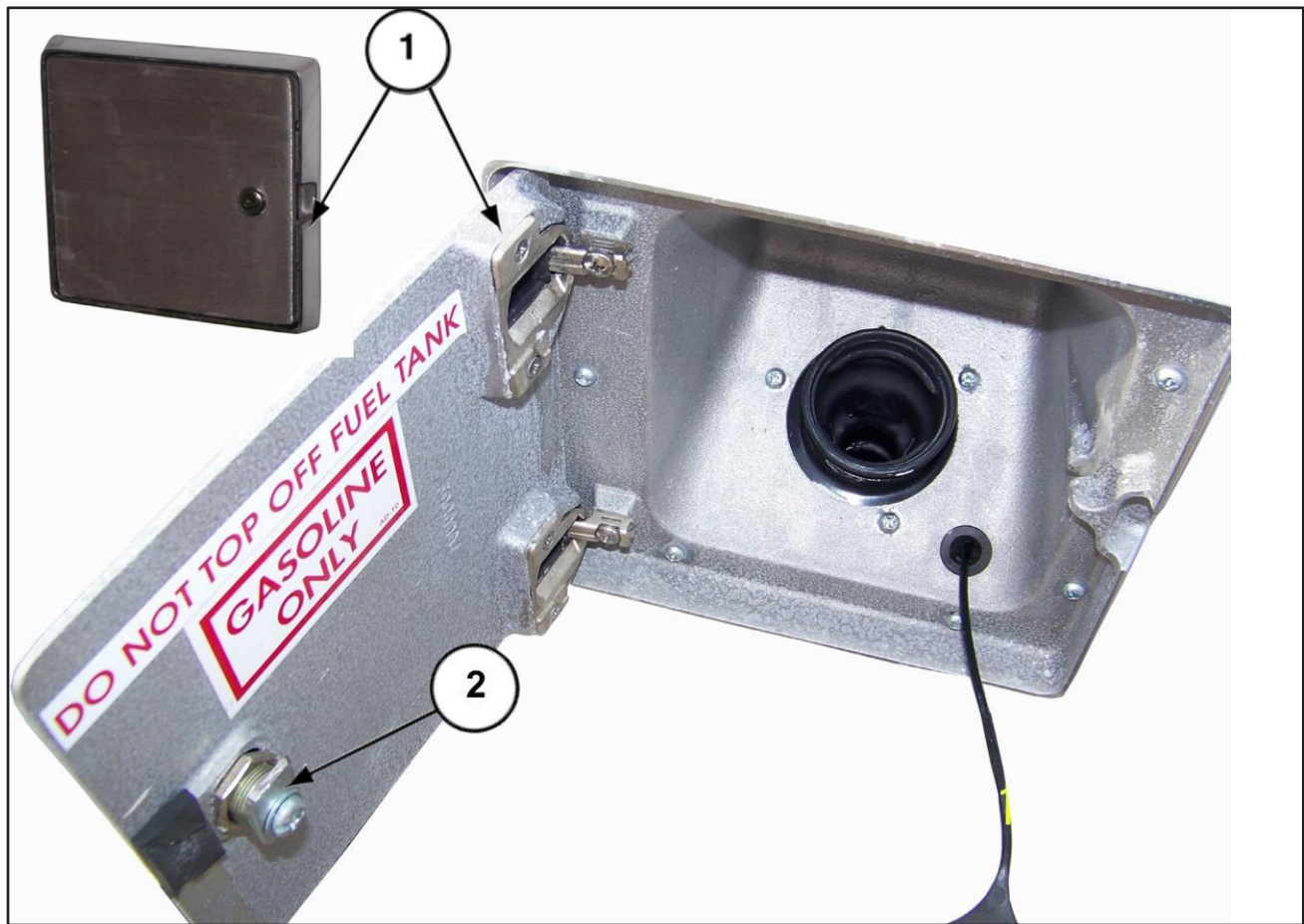
<i>ITEM PART NO. DESCRIPTION</i>	<i>QTY</i>	<i>ITEM PART NO. DESCRIPTION</i>	<i>QTY</i>
0410411 Mud Flap 24" x 33"		0413997/0414024 Mud Flap T-Bracket	
01 0570090 Flap, Mud 1/4" x 24" x 33" Pair	2	NS 0375846 Steel, Flat 11GA 2 x 96.0 HRS	AR
NS 0372656 Angle, 11GA 1.5 x 120.0	AR	NS 0346288 Steel, Flat .25 x 2 x 12' C1018	AR
0413997/ 0413841 Heavy Duty Mud Flap Bracket		NS 8571197 Bolt, Hex 1/4-20 x 2-1/2 S/S	6
NS 0378246 Mud, Flaps T-Bracket Rear	2	NS 8570244 Washer, Fender 1/4 x 1-1/4 OD	8
		NS 8570915 Washer, Flat 1/4" Stainless Steel	8
		NS 8543118 Washer, Lock 1/4" Plated	8
		NS 8570858 Nut, Hex GR.8 1/4-20	8
		NS 8570384 Bolt, Hex 1/4-20 x 1" S/S	2
		NS 0570090 Flap, Mud 1/4" 24" x 33" Rubber	.5



LOCKING Fuel FILL DOOR Cx0000053090 / Cx0000010028

<u>ITEM PART NO. DESCRIPTION</u>	<u>QTY</u>	<u>ITEM PART NO. DESCRIPTION</u>	<u>QTY</u>
CX0000053090 Fuel Fill Door Locking		CX0000010028 Install, Tether Fill Cap	
01 3348653 Door, Access	1	NS 3970548 Terminal, Ring Insul 6GA #10	2
NS 7970043 Sealant, Bostik 2100	AR		
NS 4970501 Hinge, S/S 2 x 72 LG W/O Holes	AR		
NS 8570785 Screw, 10 x 3/4 Pan Phil 18/8 S/S	4		

(NOTE: Gas Fuel Fill has different decals)



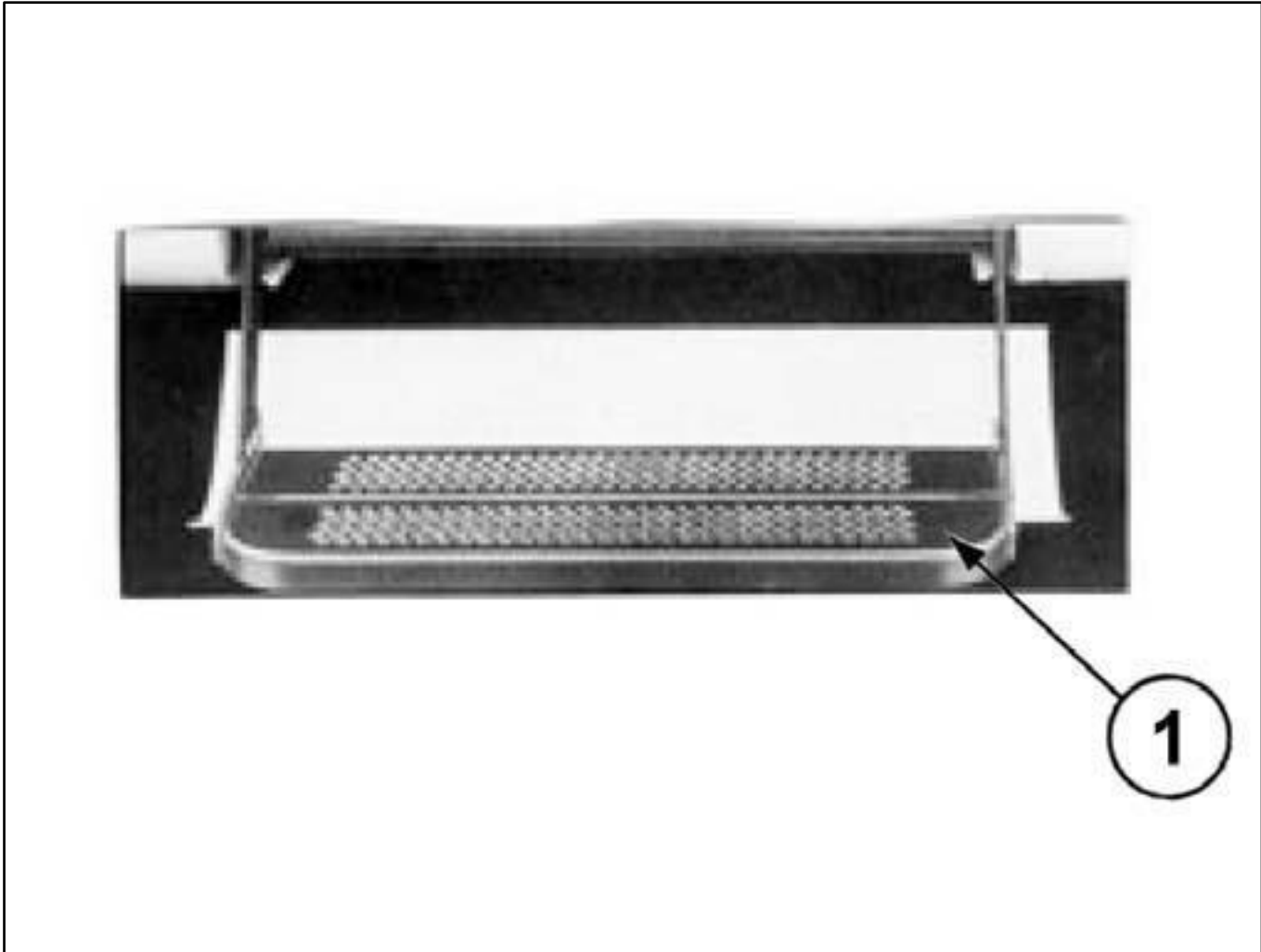
LOCKING Fuel FILL DOOR - s/s FORD 0403274

<i>ITEM PART NO. DESCRIPTION</i>	<i>QTY</i>	<i>ITEM PART NO. DESCRIPTION</i>	<i>QTY</i>
1 0378568 Bezel, Fuel Fill W/SS Door LH Lock	1		
2 5340393 Lock, Keyed Assembly	1		
NS 0400131 Backer, Gas Fill Ford Assy	1		
NS 3370277 Cover, Gas Fill With Angle	1		



Fuel Fill Door - s/s W/lh hinge 0417075

<i>ITEM PART NO. DESCRIPTION</i>	<i>QTY</i>	<i>ITEM PART NO. DESCRIPTION</i>	<i>QTY</i>
01 0378208 Bezel, Fuel Fill W/SS Door LH Hinge	1		
NS 3371963 Cover, Gas Fill W/90 Deg Angle	1		
NS 3345816 Seal, TrimLok 1/8" Location A 5/8	1.8		
NS 8971058 Tape, Butyl Black 1/4" x 1-1/2" x 25	AR		



**manual hide-a-step
0420457**

<i>ITEM</i>	<i>PART NO.</i>	<i>DESCRIPTION</i>	<i>QTY</i>	<i>ITEM</i>	<i>PART NO.</i>	<i>DESCRIPTION</i>	<i>QTY</i>
01	0379694	STEP, MANUAL HIDE-A-STEP	1				

NO PICTURE AVAILABLE AT THIS TIME

**KWIKEE STEP PREP
0419100**

<u>ITEM</u>	<u>PART NO.</u>	<u>DESCRIPTION</u>	<u>QTY</u>	<u>ITEM</u>	<u>PART NO.</u>	<u>DESCRIPTION</u>	<u>QTY</u>
NS	0379380	Bracket, Mount Kwikiee Step (9 x 9)	1				
NS	0371714	Tube, 16GA (.5 x 2.5 x 230.0)	1				



**CHAMPION
BUS, INC.**

Wholly owned subsidiary of Thor Industries, Inc.

SECTION 3:

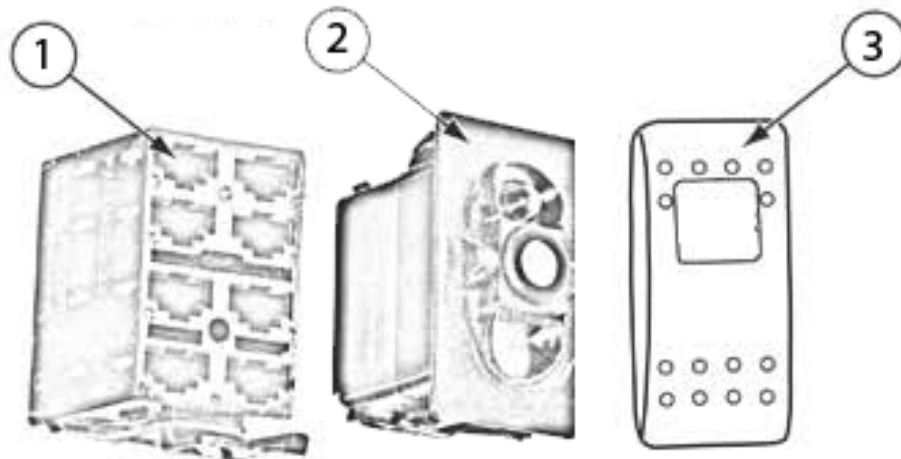
INTERIOR TRIM



DASH MOUNTED SWITCH PANEL - FORD CH-210-800

ITEM PART NO.	DESCRIPTION	QTY	ITEM PART NO.	DESCRIPTION	QTY
1	3974790 PANEL, SWITCH FORD	1			
2	3973493 PANEL, SWITCH FORD ENG COVER GRAY	1			

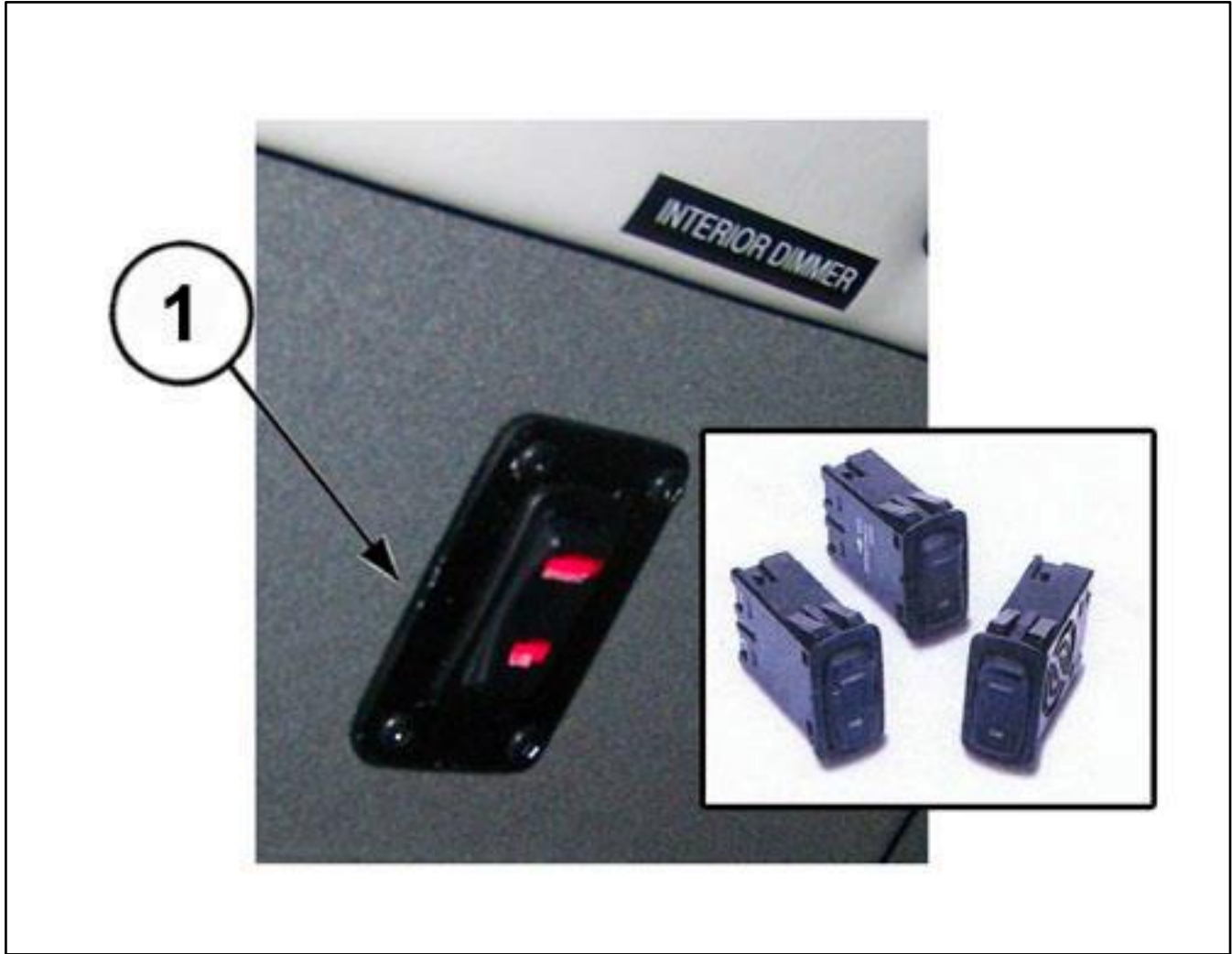
NOTE: Number & function of switches will vary on buses.
See "Dash Switches" on the following page to find correct switches for your bus.



Dash Switches (Carling)

Item	Part Number	Description	QTY	Item	Part Number	Description	QTY
01	3973886	Switch, Connector Plug	A/R	3973889	ACTUATOR,REAR HEATER	A/R	
02	3973881	Switch, Carling ON/OFF	A/R	3973890	ACTUATOR,FOG LIGHT	A/R	
	3973789	Switch, Carling Momentary	A/R	3973891	ACTUATOR,LIFT MASTER	A/R	
	3973976	Switch, Carling ON/OFF/ON	A/R	3973892	ACTUATOR,INTERIOR LIGHTS	A/R	
03	3973888	Actuator, Driver's Dome	A/R	3973893	ACTUATOR,STOP REQUEST	A/R	
	3974644	ACTUATOR,LUGGAGE LOCK	A/R	3973894	ACTUATOR,DEFROST FAN	A/R	
	3974645	ACTUATOR,BATHROOM	A/R	3973895	ACTUATOR,READING LIGHTS	A/R	
	3974646	ACTUATOR,LUGGAGE LIGHT	A/R	3973896	ACTUATOR,STROBE LIGHT	A/R	
	3974647	ACTUATOR,VIDEO	A/R	3973899	ACTUATOR,FRONT DOOR	A/R	
	3974648	ACTUATOR,START	A/R	3973900	ACTUATOR,COURTESY LIGHTS	A/R	
	3974649	ACTUATOR,MASTER	A/R	3973901	ACTUATOR,BLANK	A/R	
	3974650	ACTUATOR,PRE HEAT	A/R	3973902	ACTUATOR,KNEEL SWITCH	A/R	
	3974651	ACTUATOR,DOCKING LIGHTS	A/R				
	3974652	ACTUATOR,A/C SYSTEM	A/R				
	3974653	ACTUATOR,MIRROR HEAT	A/R				
	3974654	ACTUATOR,CALL DISABLE	A/R				
	3974655	ACTUATOR,110 OUTLET	A/R				
	3973888	ACTUATOR,DRIVER'S DOME	A/R				

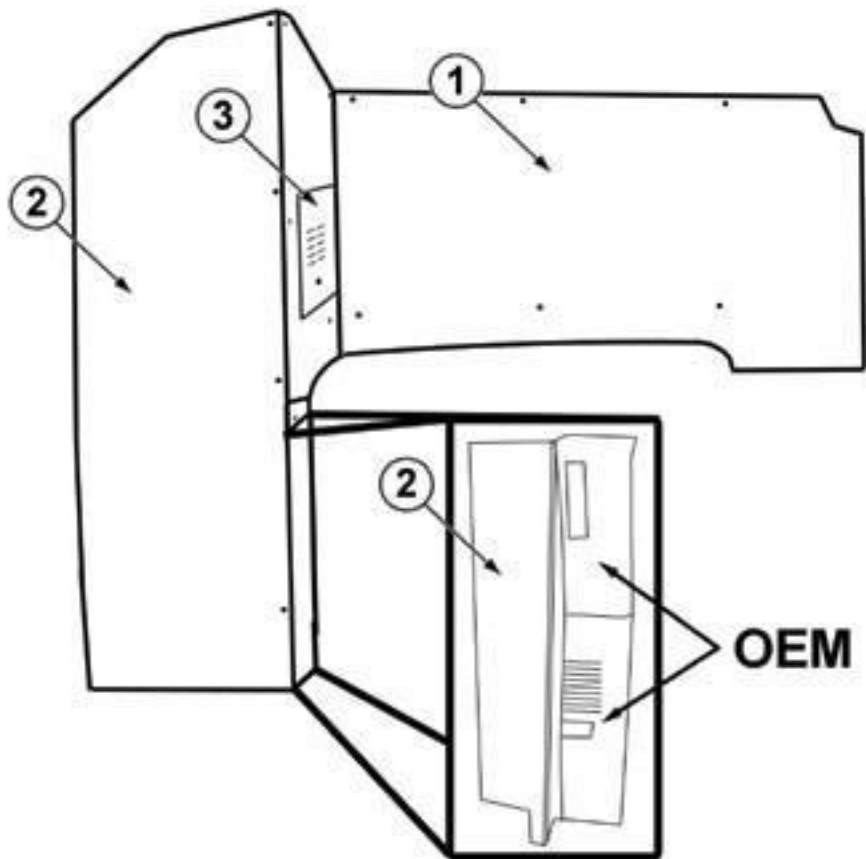
Also Found in Assemblies:



dimmer switch, carling
0417228

ITEM	PART NO.	DESCRIPTION
01	3974562	Switch, Dimmer Carling

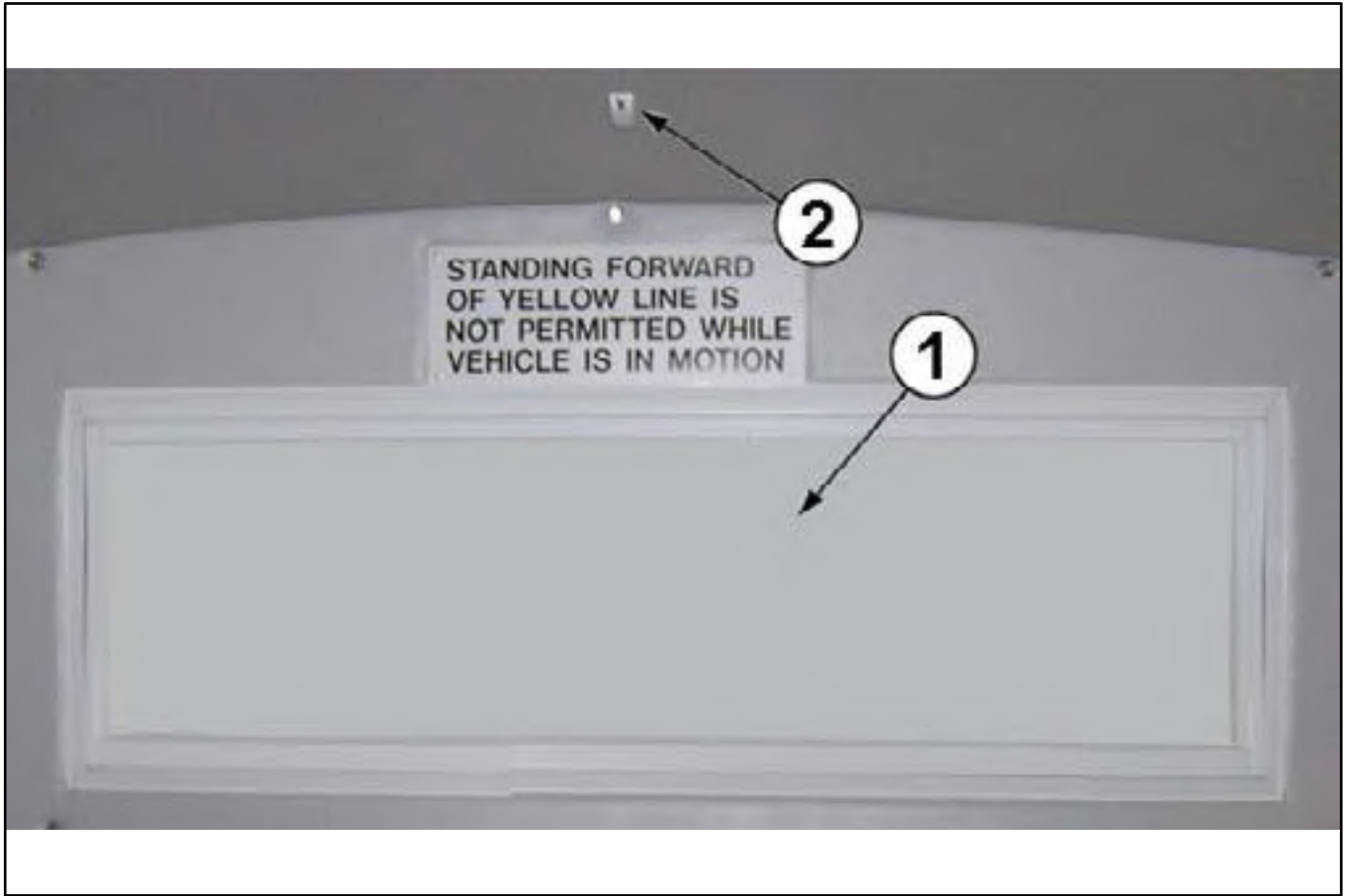
ITEM	PART NO.	DESCRIPTION



CAB FORWARD INTERIOR TRIM F-550 FD-000-800

ITEM	PART NO.	DESCRIPTION	QTY	ITEM	PART NO.	DESCRIPTION	QTY
01	3371996	CAP, FRONT F-550	1				
2	N/A	TRIM PANEL, L/H DOOR POST	1				
3	5370160	DOOR, LOUVER (18 x 11) CWSM BM1T	1				

NOTE: See your Parts Representative for this part number.



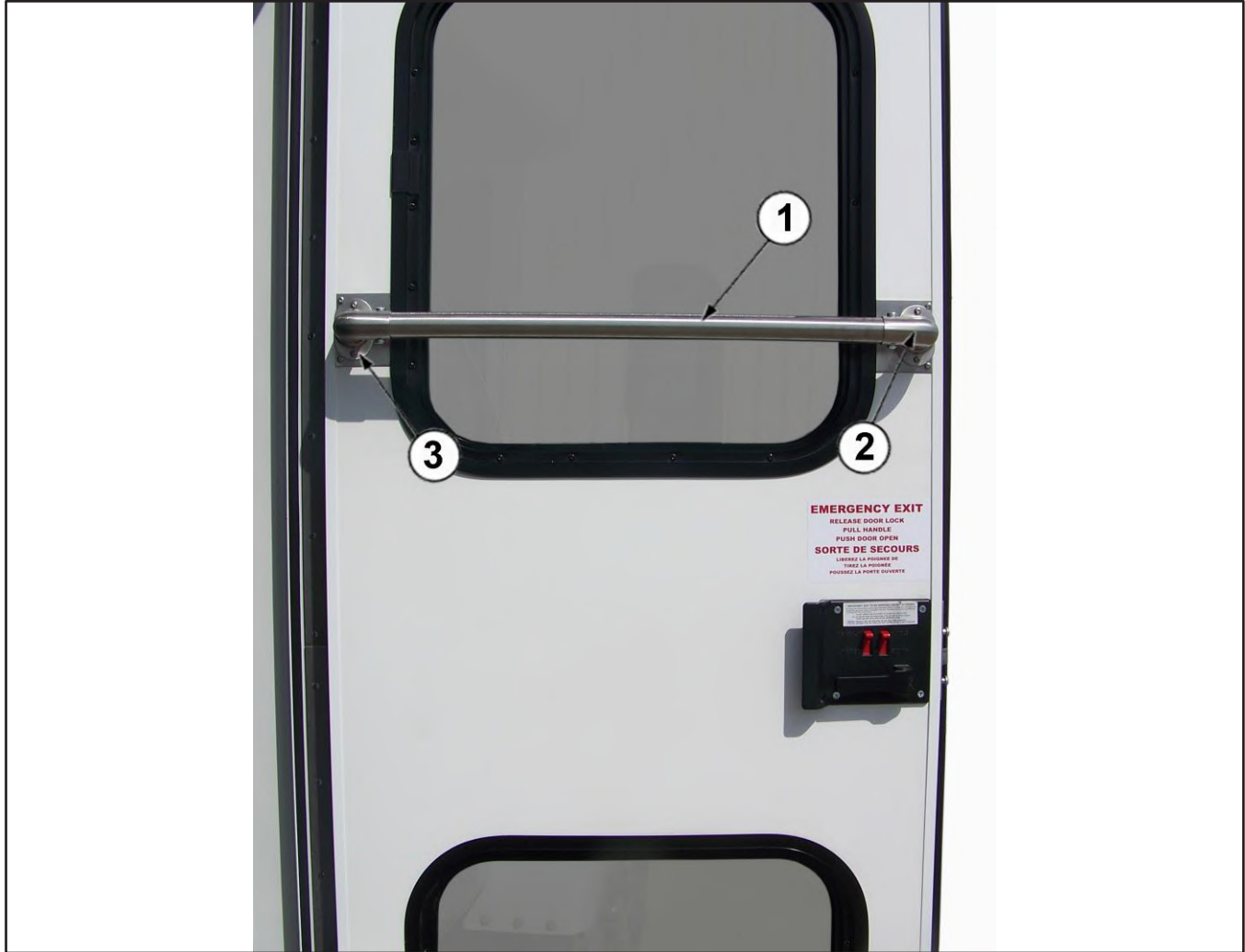
front cab storage area 60lb. capacity
0420583 - 0419757 / 0403576 (f550)

<u>ITEM</u>	<u>PART NO.</u>	<u>DESCRIPTION</u>	<u>QTY</u>	<u>ITEM</u>	<u>PART NO.</u>	<u>DESCRIPTION</u>	<u>QTY</u>
0420583 Install, Glove Box Ford W/60# Capacity				0419757 Roof, Front Chall 60# Cargo Capacity			
01	5370254	Door, (42 x 13) PWSMG 2K TH	1	NS	0340992	Tube, 16GA x 1.5 x 1.5 x 24'	.3
02	4941688	Holder, Door 1" White Plastic	1	NS	0374714	Tube, 16GA .5 x 1.5 x 120.0	.5
NS	0970014	Lauan, Raw 3.6 MM x 48 x 96	AR	NS	0376920	Gusset, 4.00 x 4.00 x .25	2
NS	0970048	Plywood, 5/8 x 4 x 8 CC-Pts Untreated	.3	NS	0376133	Gusset, Para Pre-Hung CH	1
NS	0947614	Lumber, 1 x 6 x 96.o #2	.5				
0403576 Install, Box Front Glove							
NS	8570692	Staple, L14 BAB GSN 18 1-1/8	.1				
NS	8570768	Screw, 8 x 1-1/2 Pan Quad Blk Oxide	6				



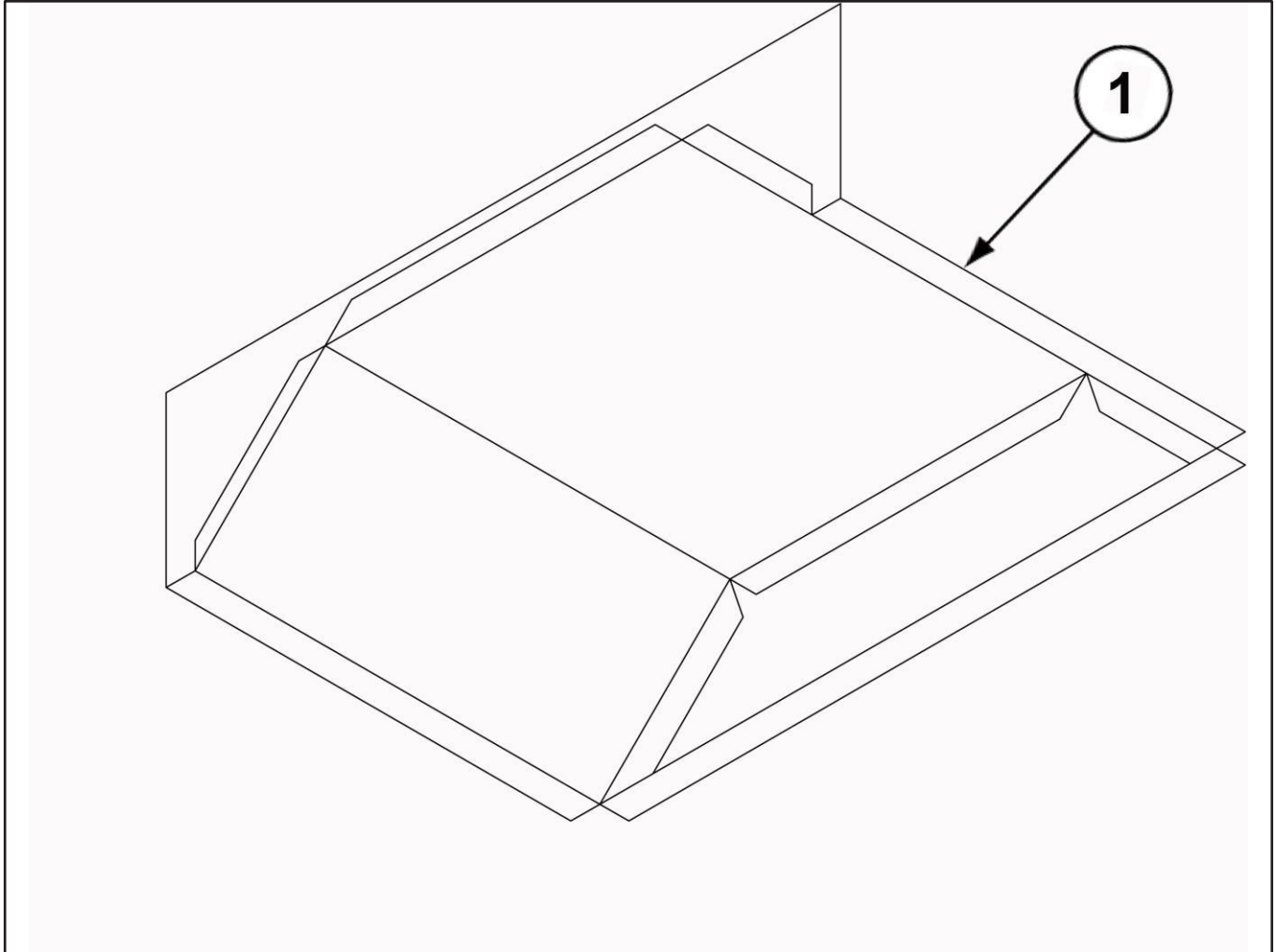
**removable destination door
0419289**

<i>ITEM</i>	<i>PART NO.</i>	<i>DESCRIPTION</i>	<i>QTY</i>	<i>ITEM</i>	<i>PART NO.</i>	<i>DESCRIPTION</i>	<i>QTY</i>
1	3370939	Door, Destination Sign ABS CH/CR	1				
2	4941520	Lock, Thumb Complete	4				



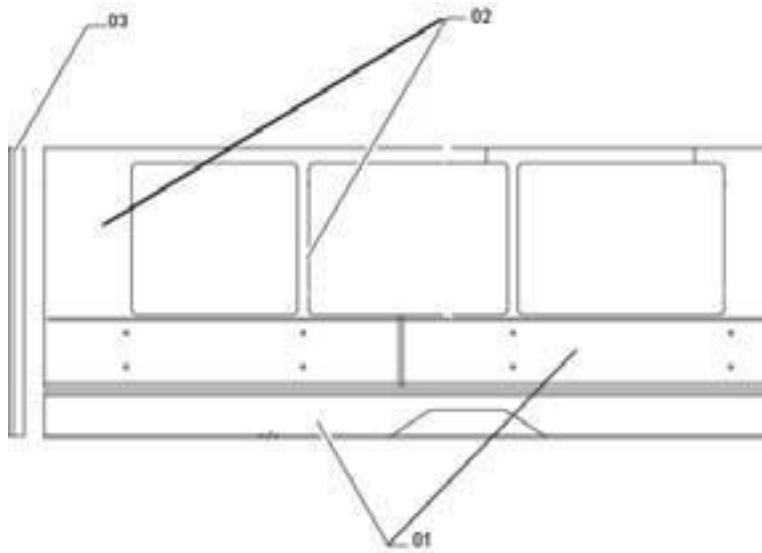
entrance door handrail 0403147

<i>ITEM PART NO. DESCRIPTION</i>	<i>QTY</i>	<i>ITEM PART NO. DESCRIPTION</i>	<i>QTY</i>
01 0346494 Tube, .065 x 1.25 x 17' S/S 180 Grid	AR		
2 0376030 Fitting, S/S Elbow W/Base	2		
3 0346478 Bolt, Stanchion 1422 Male	4		
0346460 Nut, Stanchion 1423 Female	4		



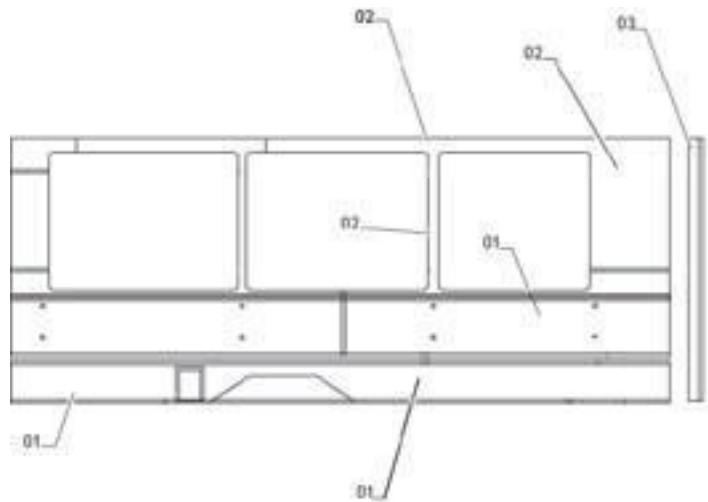
**wheelwell 14ga s/s challenger
0413993**

<i>ITEM PART NO. DESCRIPTION</i>	<i>QTY</i>	<i>ITEM PART NO. DESCRIPTION</i>	<i>QTY</i>
01 0377822 Wheelwell, S/S CH/Ford 14GA	2		



CURBSIDE INTERIOR

ROADSIDE INTERIOR



DELUXE CARPETED WALLS (GRAY) 0900G

<i>ITEM PART NO. DESCRIPTION</i>	<i>QTY</i>	<i>ITEM PART NO. DESCRIPTION</i>	<i>QTY</i>
01 1570203 Carpet, Up-Tempo Misted Granite	AR	REFERS TO THE FOLLOWING ASSEMBLIES:	
03 4570144 Cap, End "J" .19¼" x 16' Gray	AR		CH-221-900-0900G
NS 0970014 Lauan, Raw 3.6 mm x 48 x 96	AR		CH-250-900-0900G
NS 4370057 Laminate, Graphite Nebula 48 x 96	AR		CH-280-900-0900G
			CT-333-900-0900G
		CT-380-900-0900G	
		DF-290-900-0900G	
		DF-293-900-0900G	
		DF-310-900-0900G	
		DF-311-900-0900G	



**padded vinyl modesty panel
0402664**

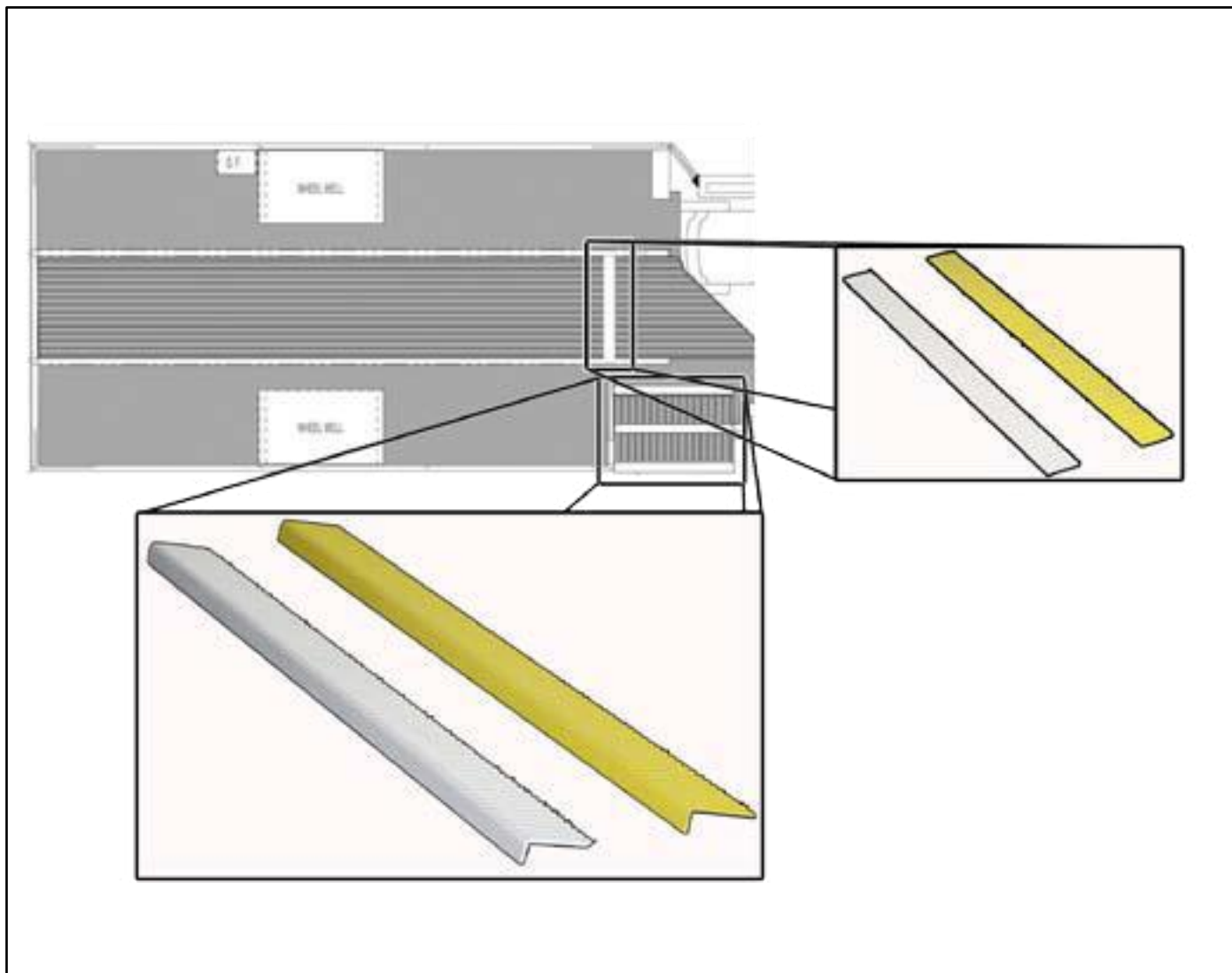
<i>ITEM PART NO. DESCRIPTION</i>	<i>QTY</i>	<i>ITEM PART NO. DESCRIPTION</i>	<i>QTY</i>
01 6170106 Pad, Foam 3/16"	7		
0402664 Panel, Modesty 24 x 24.25 Padded Vin	1		
7371128 Vinyl, Harbor Moonbeam	1		



PADDED DOOR HEADER

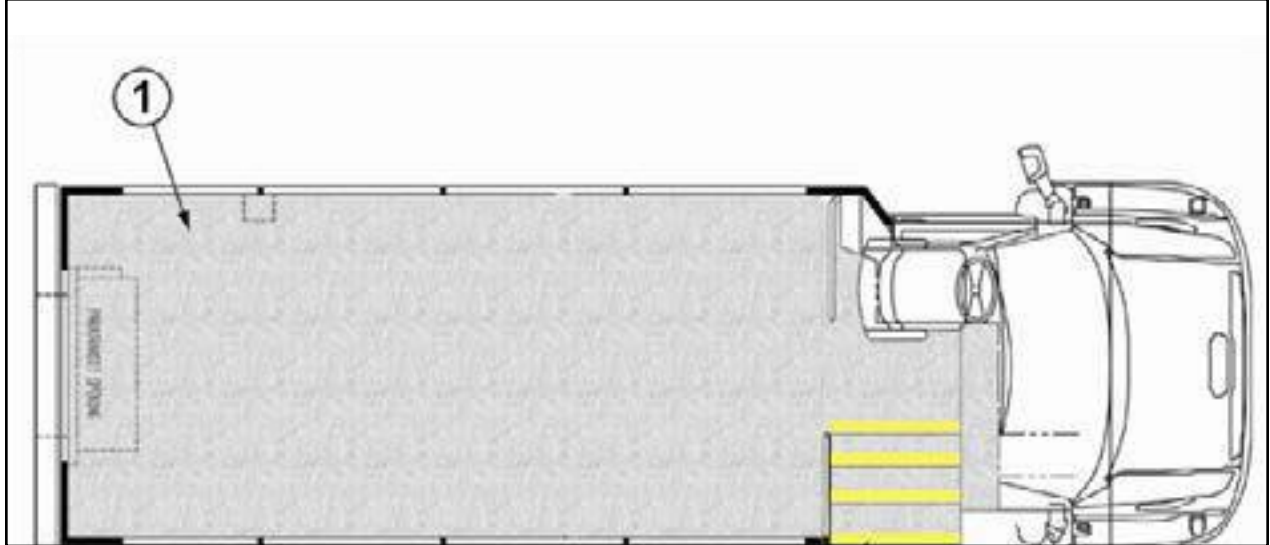
CH-000-900-3244 / 0403610

<i>ITEM PART NO. DESCRIPTION</i>	<i>QTY</i>	<i>ITEM PART NO. DESCRIPTION</i>	<i>QTY</i>
01 7371128 Vinyl, Harbor Moonbeam	AR		
NS 0970014 Lauan, Raw 3.6 x 48 x 96.0	AR		
NS 8570697 Staple, CO3 BAAPM Silver	AR		
NS 8970411 Tape, Silver Duct 2"	AR		
NS 8570735 Screw, 8 x 1-1/2 Pan Quad Zinc	8		
NS 7370497 Cap, Snap Vinyl Moonbeam Gray	8		



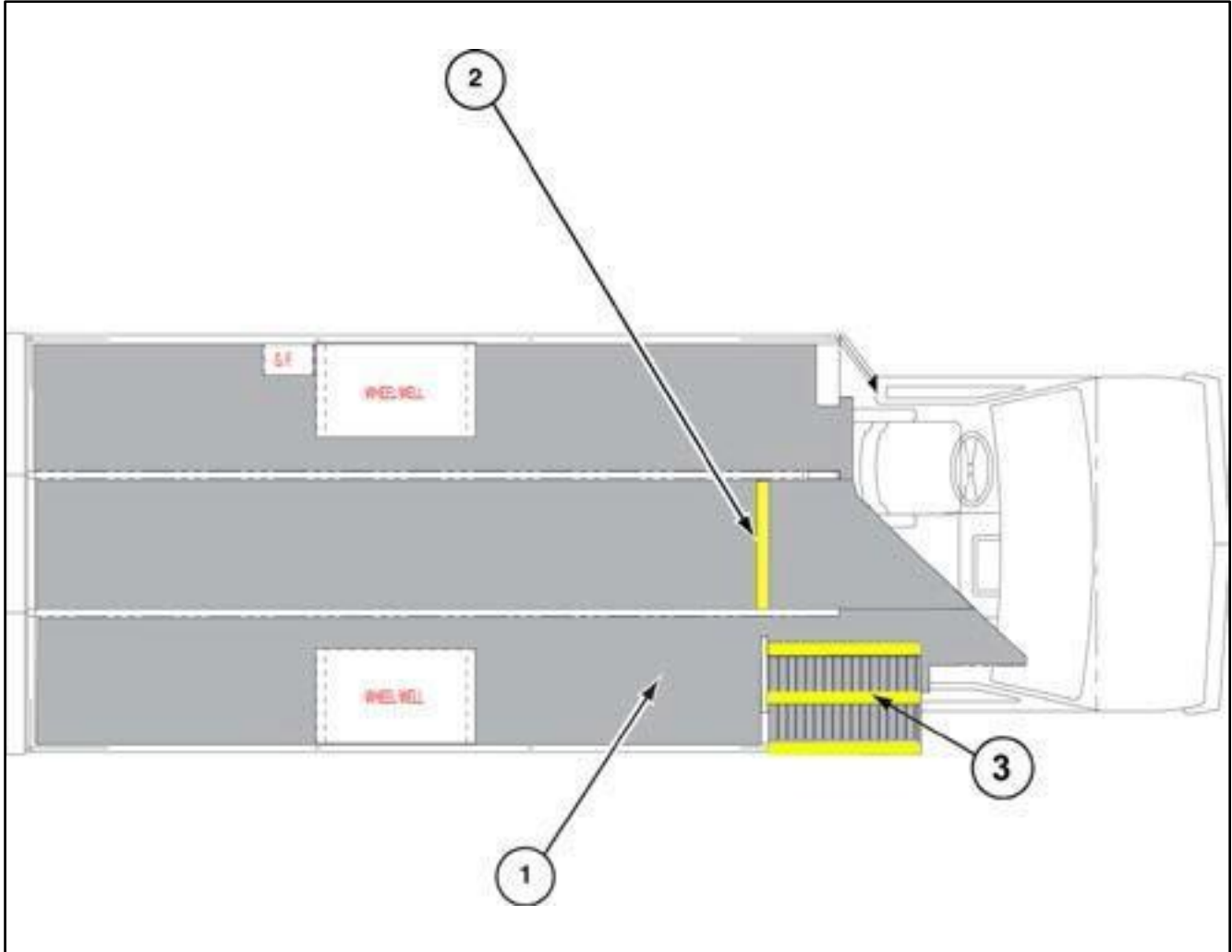
Step Edge / Standee Line Standard

Item Part Number	Description	QTY	Item Part Number	Description	QTY
1540848	EDGE,STEP STEEL .19 X 3 X 34.0 YELLOW		<u>Also Found in Assemblies:</u>		
1570161	EDGE,STEP STEEL .19 X 3 X 44.0 YELLOW		0401115, 0402134, 0402662,0404872, 0402877, 0402877S, 0401463, 0401464, 0402877, 0414343, 0414609, 0416809, 0418957, 0419458, 0420038, 0420054, 0420062, 0420374, 0420497		
1540087	EDGE,STEP STEEL .19x3x34 WHITE		<u>Also Found in Assemblies:</u>		
1570160	EDGE,STEP STEEL .19 X 3 X 44.0 WHITE		AB-350-900-3116, AB-351-999-3116		
1570287	EDGE,STEP STL .19 X 3 X 48.88 WHITE		SO-304-999-3116, SO-301-999-3116, SO-304-900-3117, SO-301-900-3117,		
1570269	EDGE,STEP STEEL .19 X 3 X 54" WHITE		CH0000033258, CH-000-998-3116, CX-000-900-3110,		
1570298	EDGE, STEP (3" X 34 $\frac{1}{4}$ ") WHITE		CH-000-900-3111, CH-000-900-3111Y, CH-000-900-3110Y		
1570362	EDGE, STEP (3" X 44") WHITE		CT-000-900-3111, CT-000-900-3111Y. CT-000-900-3116		
1570298	EDGE, STEP (3" X 34 $\frac{1}{4}$ ") WHITE RUBBER		SR-000-900-3110,		
1570263	STANDEE,WHITE .19 X 29.38 X 2.0 RIBBED		CX-000-900-3110Y, CX-000-900-3110, CX-000-900-3110, CX-		
1570264	STANDEE,YELLOW .19 X 29.38 X 2.0 RIBBED		000-900-3117, CX-000-999-3114, CX-000-900-3115		
1571283	STANDEE, WHITE (7/8" X 24 $\frac{1}{2}$ " X 2")		CX0000030008		



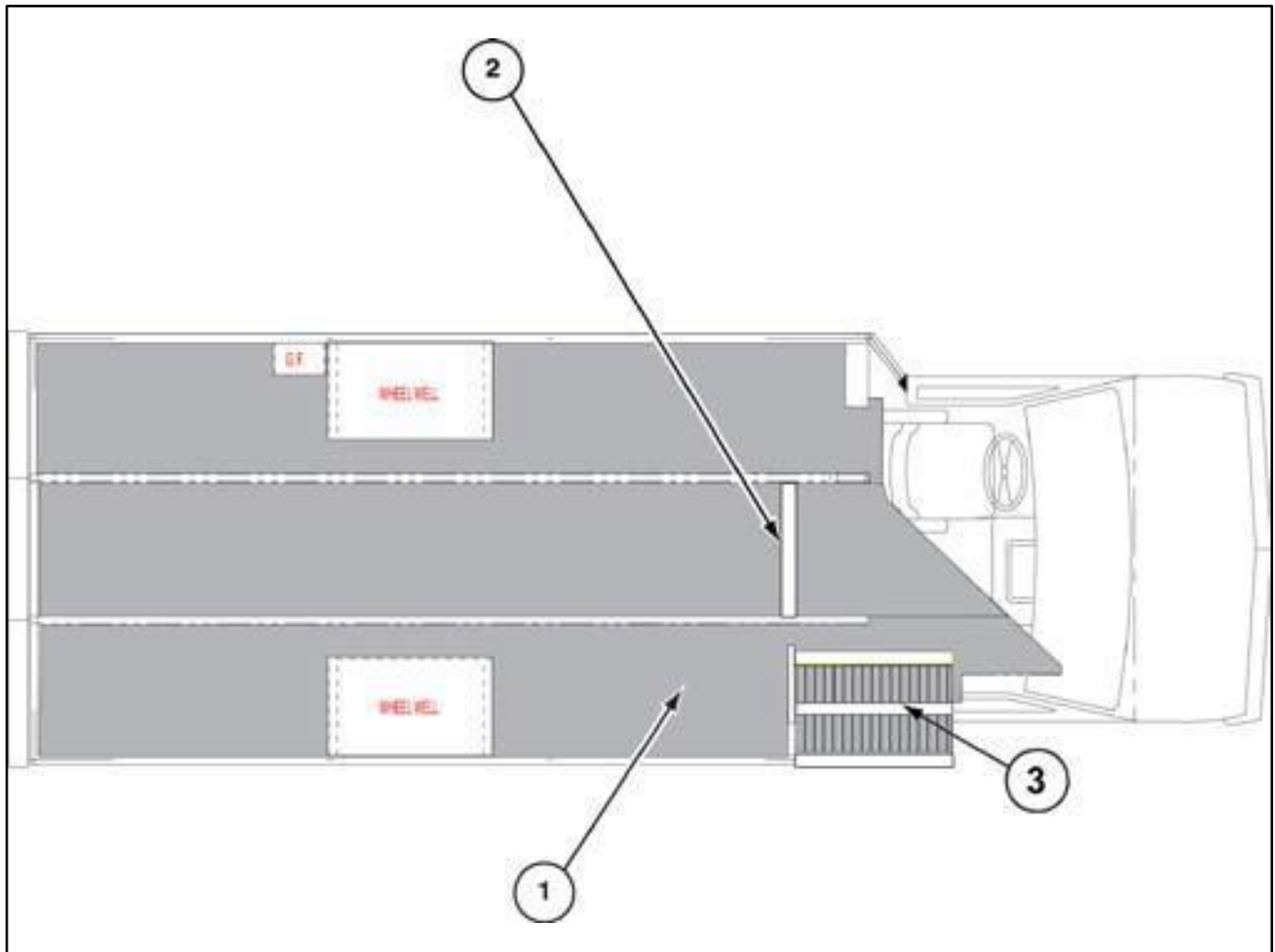
ALTRO FLOORING MISC. F550 MISCELLANEOUS

ITEM	PART NO.	DESCRIPTION	QTY	ITEM	PART NO.	DESCRIPTION	QTY
0417817 Flooring, Altro Chroma DF Coved				0419742 Floring, Altro Storm DF310 Coved			
01	1570473	Flooring, Altro 79" x 786" Mineral	1	01	1570475	Flooring Altro 79" x 786" WR8Z	AR
	1570470	Standee, Yellow 10'	AR		1570463	Standee, White 10'	AR
	1570509	Nosing, Alum T36T W/White Insert 10"	1.5		1670461	Edge, Step 9' Yellow	1.5
	1570460	Rod, Welding Altro Chroma Mineral	AR		1570477	Rod, Welding Altro Storm WR82	AR
	1570459	Sealant, Altro Chroma Mineral A1M83	1		1570474	Coving, Altro 3/4 x 5 Ft. Long	5
	1570474	Coving, Altro 3/4" x 5' Long	9	Others:			
0422330 Flooring, Altro NC D2 F550				01	1570458	Flooring, Altro 79" x 786" Genome	AR
01	1570501	Flooring, Altro Black 22892 79" x 786"	AR	01	1570453	Flooring, Altro Genome TF2202	AR
	1570542	Flooring, Altro White 79" x 786"	AR	01	1570452	Flooring, Altro Storm Gray	AR
	1570462	Nosing, Alum T36T W/Yellow Insert	1.5	01	1570475	Flooring, Altro Storm 79" x 786"	AR
	1570503	Rod, Welding Altro WR100	AR				
	1570544	Welding, Rod Altro White	AR				
	1570502	Sealant, Altro Mastic	2				
	1570543	Sealant, Altro White AM299	1				



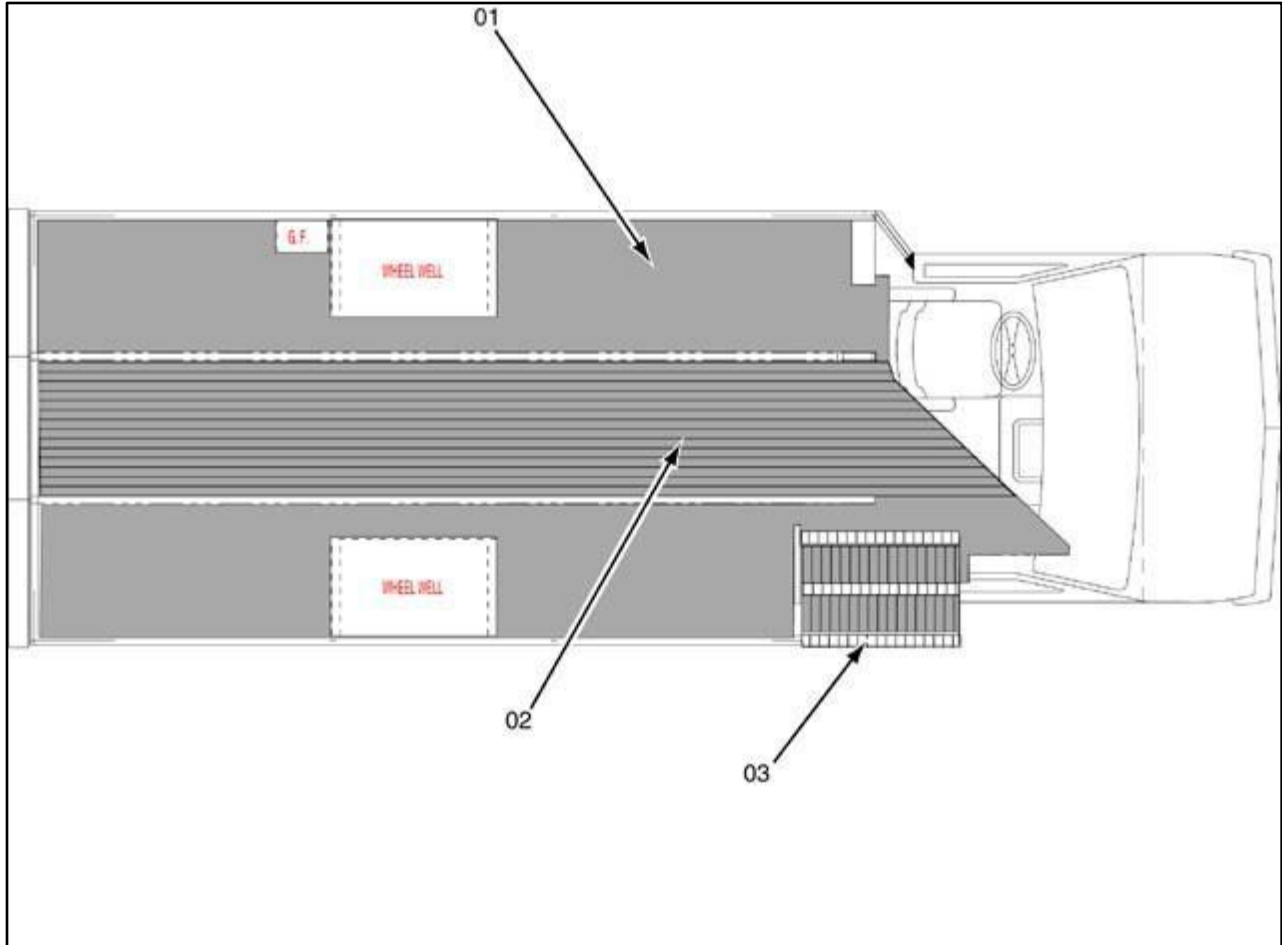
flooring, gErffloor MiSCEIIAnEoUS

ITEM	PART NO.	DESCRIPTION	QTY	ITEM	PART NO.	DESCRIPTION	QTY
0421956 Gerffloor, 4776 Mason Flooring				0422356 Flooring, Gerffloor Everglades			
1	1570569	Flooring, Gerffloor 4776 Mason (79x94)AR		1	1570580	Flooring, Gerffloor 6057 Everglades	AR
2	1570571	Standee, Gerffloor Yellow (2' x 12')	.3	2	1570463	Standee, White 10'	AR
3	1570461	Edge, Step 9' Yellow	1	3	1570509	Nosing, Alum T36T W/White Insert	1.5
NS	1570570	Rod, Welding Gerffloor CR50 x 100m	AR	NS	1570581	Rod, Welding Gerffloor Eerglades	AR
NS	1570474	Coving, Altro 3/4" x 5' Long	9	NS	1570583	Sealant, RAL 8028 (Everglades)	AR
NS	1570502	Sealant, Altro Mastic	1				
0422350 Flooring, Gerffloor Griffon 23' White Step							
1	1570562	Flooring, Gerf Sirius Griffon (49 x 94)	AR				
2	NA						
3	1570509	Nosing, Alum T36T W/White Insert	1.3				
NS	1570582	Rod, Welding Gerffloor Griffon	AR				
NS	1570459	Sealant, Altro Chroma Mineral	AR				



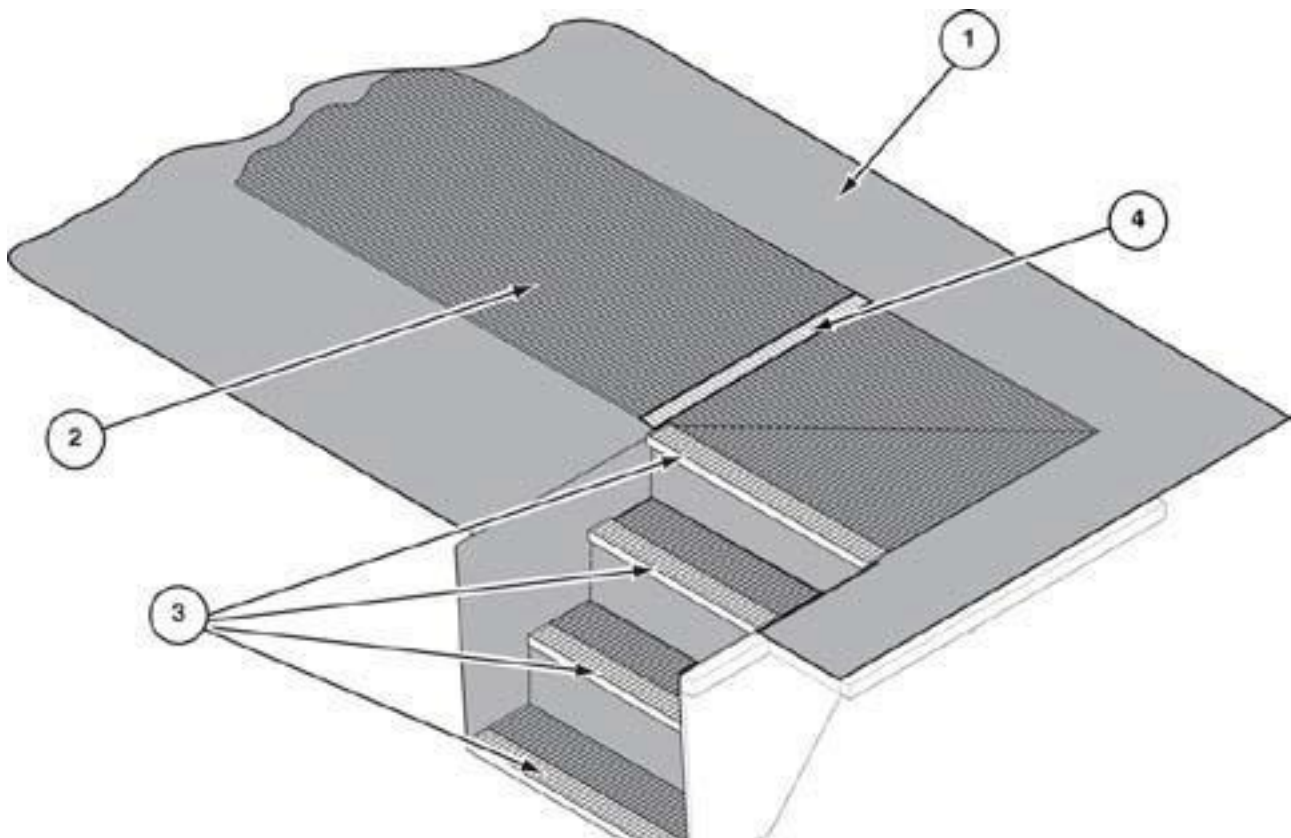
Flooring - Altro genome 25' 0420643

<i>ITEM PART NO. DESCRIPTION</i>	<i>QTY</i>	<i>ITEM PART NO. DESCRIPTION</i>	<i>QTY</i>
1 1570458 Flooring, Altro 79" x 786" Genome	AR		
2 1570463 Standee Line, White 10'	AR		
NS 1570460 Rod, Welding Altro Chroma Mineral	AR		
NS 1570509 Nosing, Alum T36T w/ White Insert 10"	1		
NS 1570459 Sealant, Altro Chroma Mineral	1		
NS 1570474 Coving, Altro ¾" x 5 Ft. Long	6		



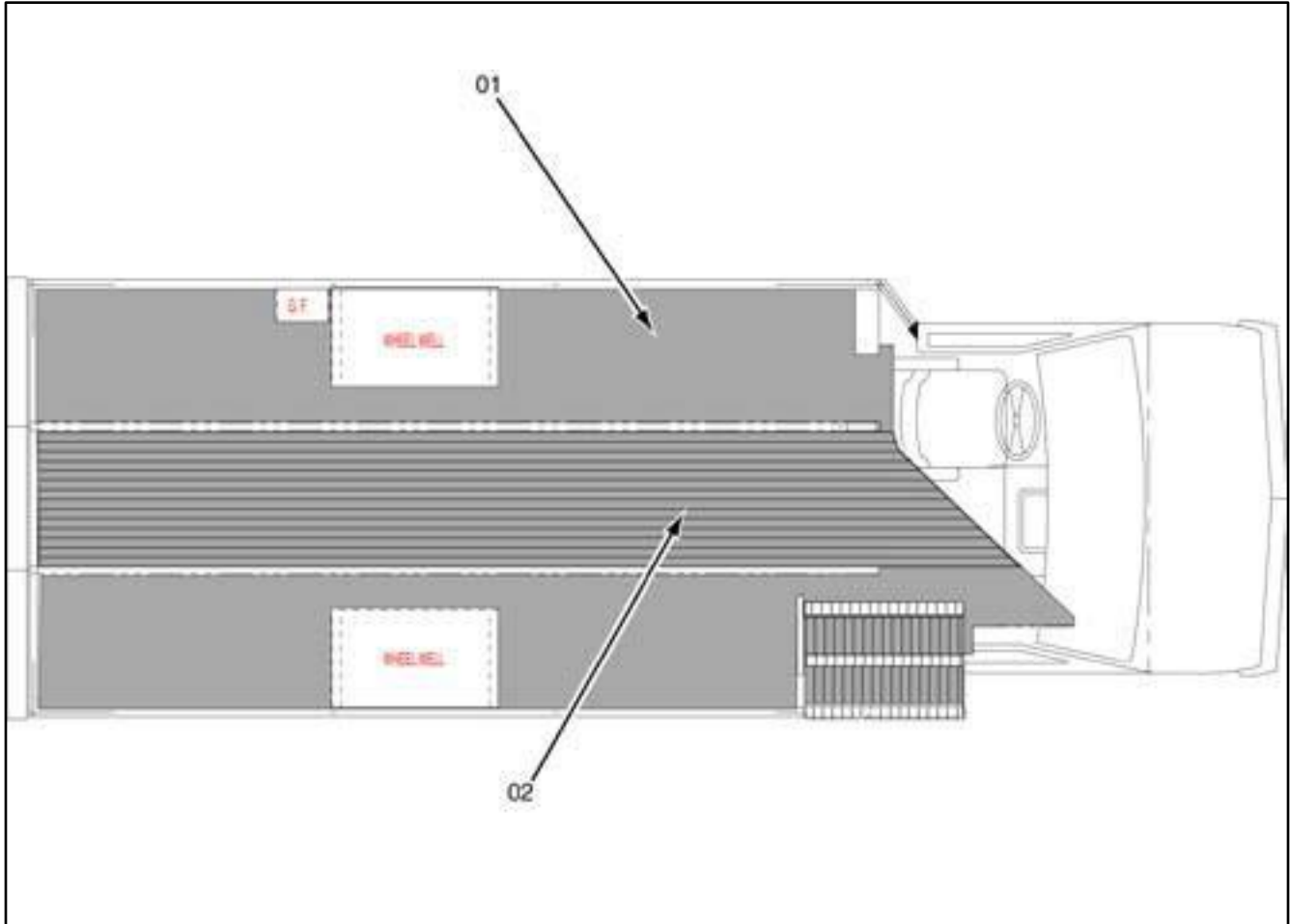
Full Floor rubber - GrAY 30039 / 30039C / 30142

<i>ITEM PART NO. DESCRIPTION</i>	<i>QTY</i>	<i>ITEM PART NO. DESCRIPTION</i>	<i>QTY</i>
01 1570297 Rubber, Gray Smooth R-S	A/R	REFERS TO ALL ASSEMBLIES LISTED BELOW:	
02 1570299 Rubber, Gray Ribbed R-S	A/R		CH2110030142G
NS 1570474 Coving, Altro 3/4" x 5ft Long	A/R	BG3400030039	0414612 CH2510030142G
		CH2100030039	0413032 DF3110030142G
		CH2300030039	0413159C DF3810030142G
		CH2500030039	0416739 CR2110030142G
		CH2510030039	0413160 CH2300030142
		CH2710030039	0414613C CH2800030142
		CH2800030039	0414730 CH2710030142
		CH2110030039	0417679 DF3410030039
		CR2100030039	0414056 DF3100030039
		CR2130030039	CR2110030039 DF350030039
		CH2310030039	DF3100030039C DF3110030039



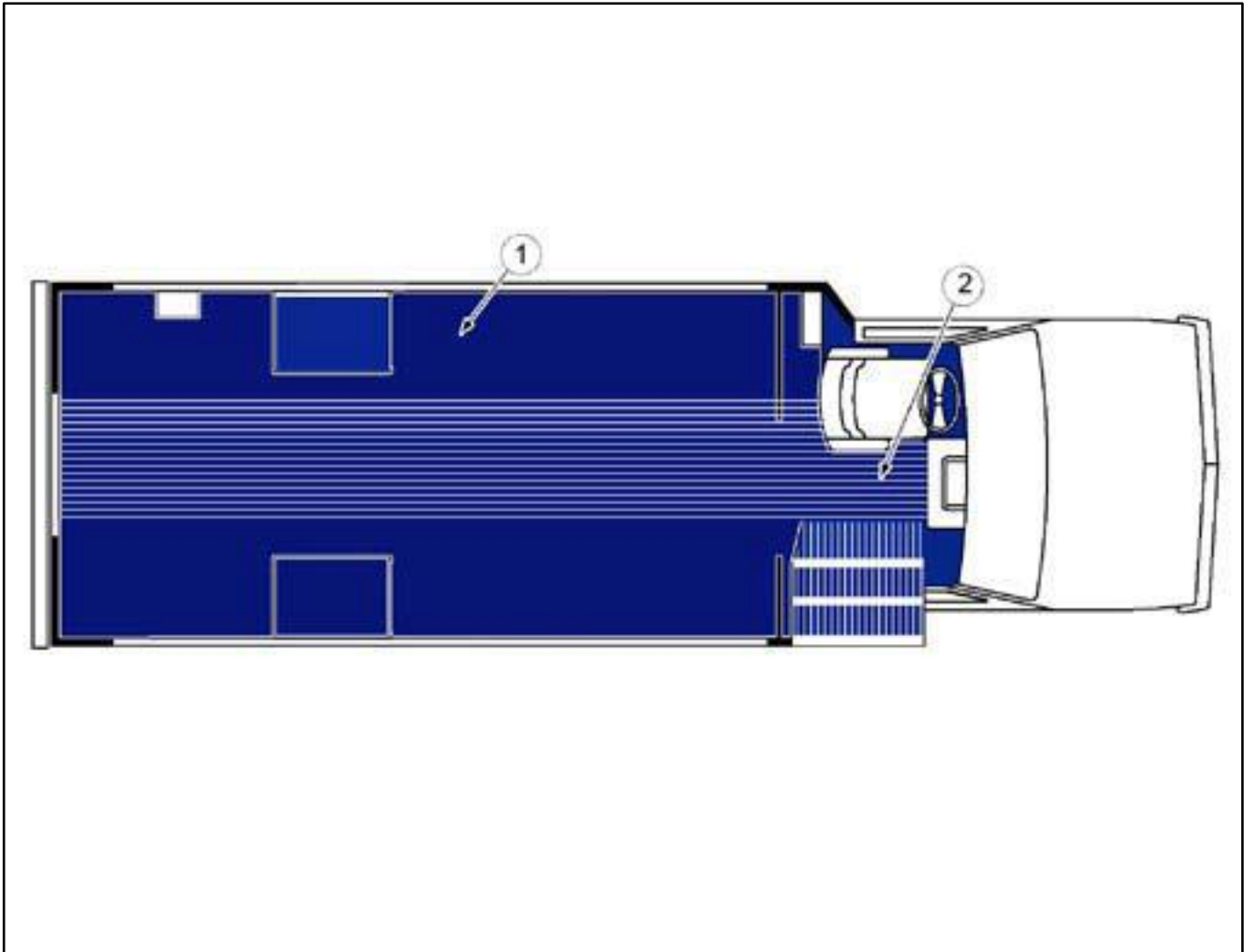
FULL FLOOR RUBBER (GRAY) 0610G / 0610GC

ITEM	PART NO.	DESCRIPTION	QTY	ITEM	PART NO.	DESCRIPTION	QTY
02	1570320	FLOORING, RUBBER (3/16 x 29-3/8 x 8 YDS) GRAY RIBBED	A/R	INCLUDED IN THE FOLLOWING ASSEMBLIES:			
01	1540400	FLOORING, RUBBER (1/8 x 34-1/2 x 8 YDS) GRAY SMOOTH	A/R		CH-000-903-0610G		
03	SEE CX-000-999-3114	For White Step Edge			DF-290-900-0610G		
04	SEE CX-000-900-3110	For White Standee Line			DF-310-900-0610G		
					DF-311-900-0610GC (COVERED)		
					DF-311-900-0610G		
					DF-350-900-0610G		
					DF-350-900-0610GC (COVERED)		
					CR-211-900-0610G		
					CT-300-998-0610G		
					CT-330-900-0610G (COVERED)		
					CT-380-900-0610G		
					DF-270-900-0610G		
0610GC ASSEMBLIES ONLY							
NS	1570474	COVING, ALTRO 3/4" X 5 FEET LONG	A/R				



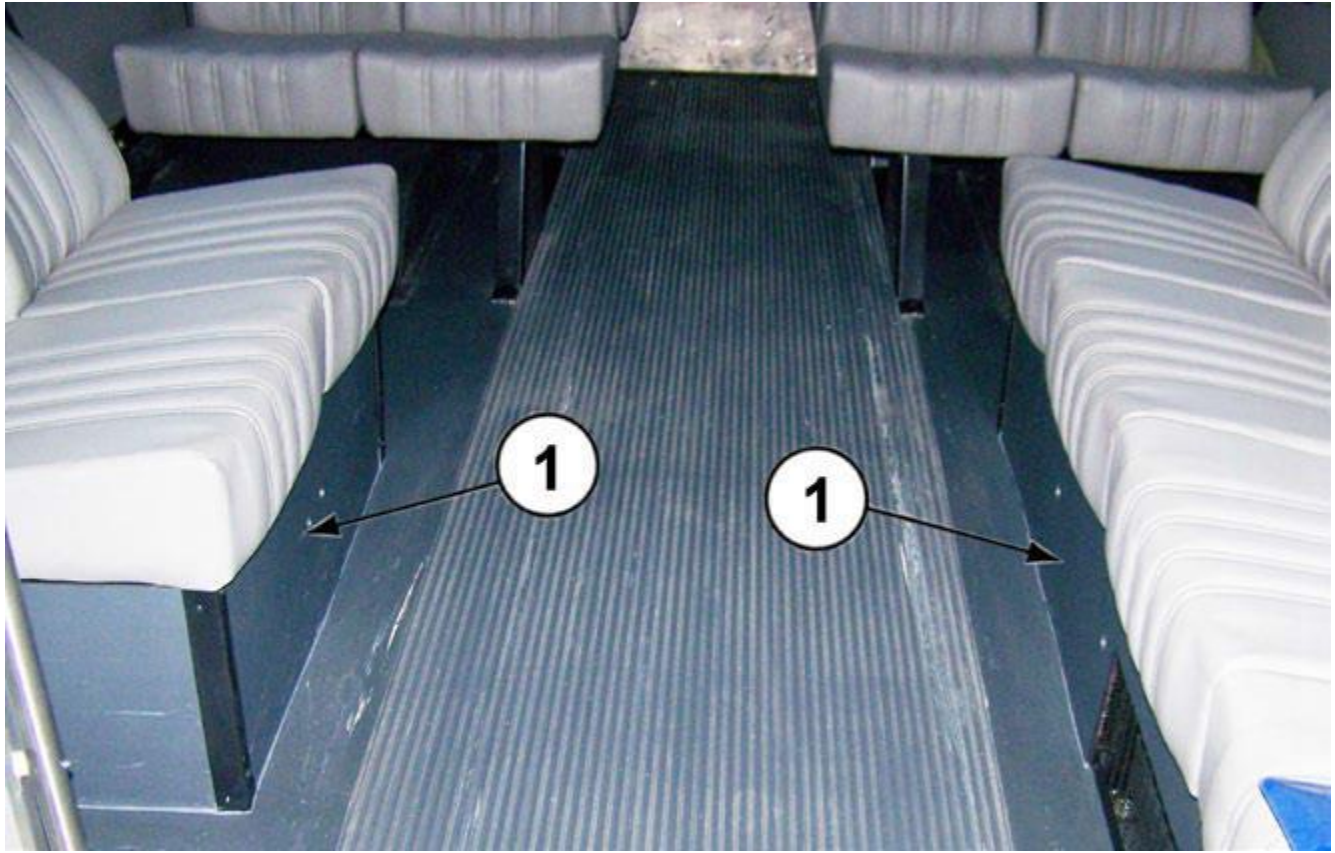
Full Floor rubber - gray 30032

<u>ITEM</u>	<u>PART NO.</u>	<u>DESCRIPTION</u>	<u>QTY</u>	<u>ITEM</u>	<u>PART NO.</u>	<u>DESCRIPTION</u>	<u>QTY</u>
01	1540400	Rubber, Gray .13 x 34.5 Smooth 8yd	AR	REFERS TO ALL ASSEMBLIES LISTED BELOW:			
02	1570320	Rubber, Gray 3/16 x 29 3/8" Yd Ribb	AR	CH2000030032			
NS	1570474	*Coving, Altro 3/4" x 5FT Long	AR	CH2110030032			
		*(Coving only on assemblies with "C")		CH2300030032			
				CH2310030032			
				CH2500030032			
				CH2510030032			
				CH2530030032			
				CH2700030032			
				CH2810030032			
				DF2500030032			



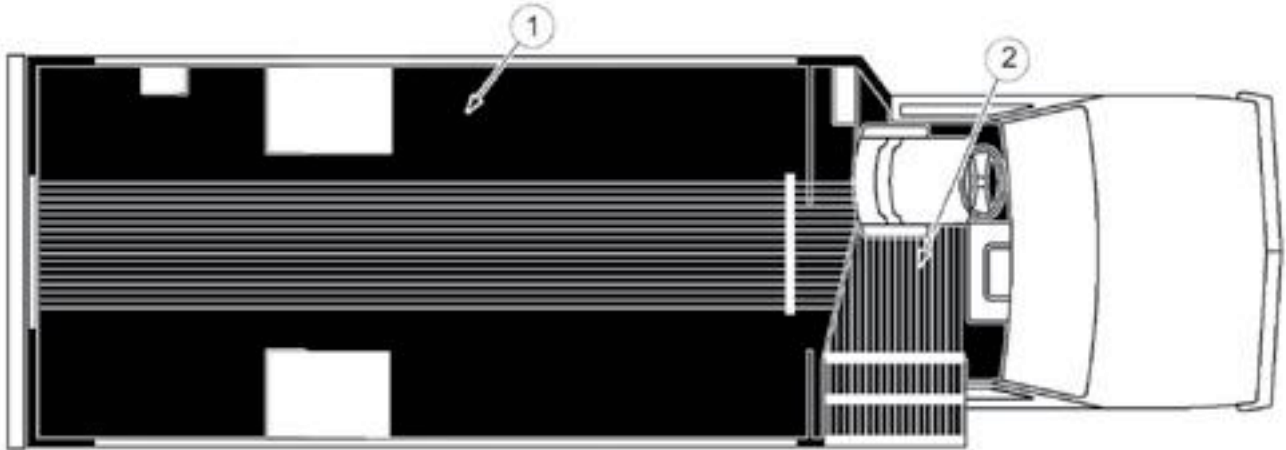
Full Floor rubber - blue 30030C

<i>ITEM PART NO. DESCRIPTION</i>	<i>QTY</i>	<i>ITEM PART NO. DESCRIPTION</i>	<i>QTY</i>
1 1540624 Rubber, Blue Smooth .19 x 34.5	A/R		
2 1570340 Rubber, Blue Ribbed 30 RCA 702	A/R		
NS 1570474 Coving, Altro 3/4" x 5 FT Long	8		



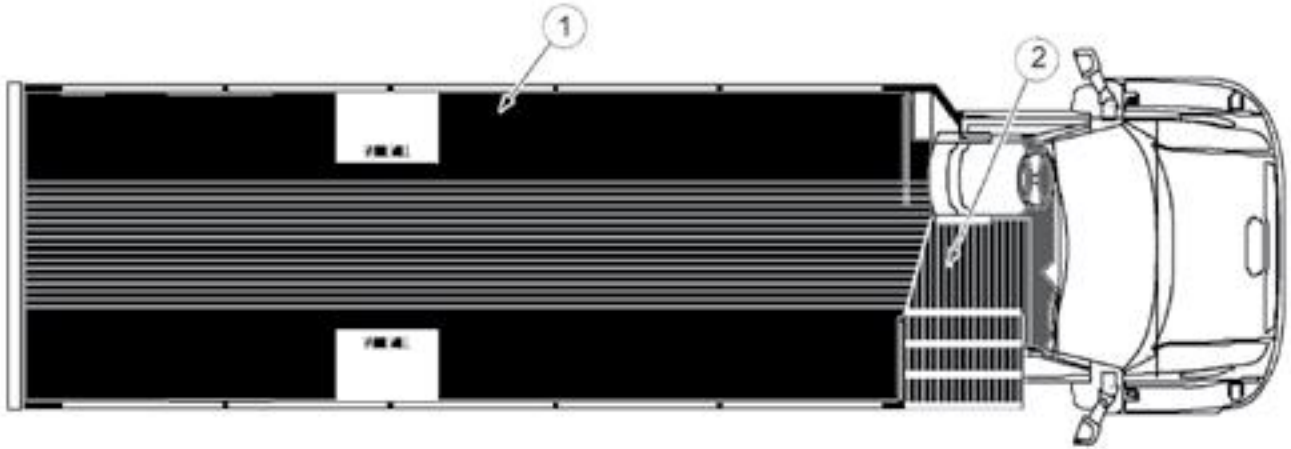
kick panel - smooth rubber
0416307

<i>ITEM</i>	<i>PART NO.</i>	<i>DESCRIPTION</i>	<i>QTY</i>	<i>ITEM</i>	<i>PART NO.</i>	<i>DESCRIPTION</i>	<i>QTY</i>
01	1570297	Rubber, Gray 34.25 x 288" Smooth RS	.3				



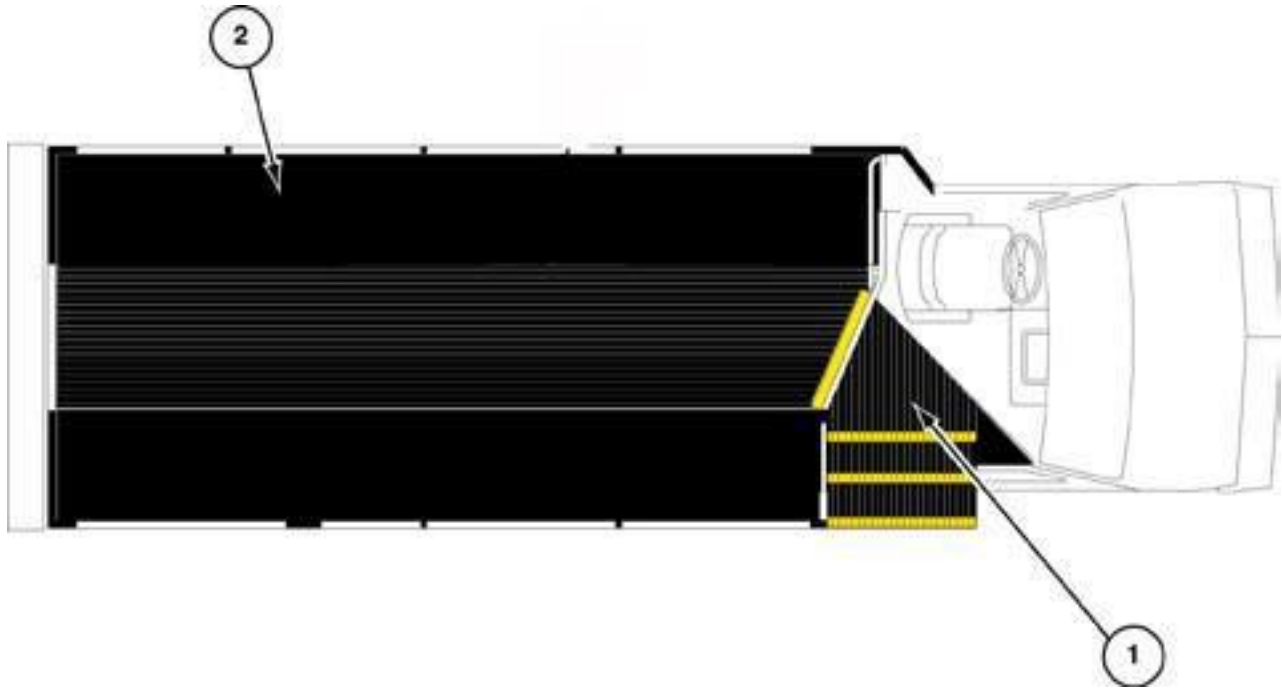
Full Floor rubber - black 30037, 30142

<i>ITEM PART NO. DESCRIPTION</i>	<i>QTY</i>	<i>ITEM PART NO. DESCRIPTION</i>	<i>QTY</i>
01 1570293 Rubber, Black 34¼ X 288" Smooth	A/R	REFERS TO ALL ASSEMBLIES LISTED BELOW:	
02 1570292 Rubber,Black 34¼ x 288" RS Ribbed	A/R	AC2100030037	DF3830030037 0412488C
		BG3400030037	DF3100030142C 0412485C
		CH2100030037	DF3100030142 0412485
		CH2300030037	DF3500030037 0412998
		CH2310030037	BG3400030037 0412488
		CH2330030037	DF3110030037 0414177
		CH2500030037	DF3410030037 0413076
		CH2800030037	DF3300030037 0413756C
		CH2710030037	DF3100030037
		CR2110030037	



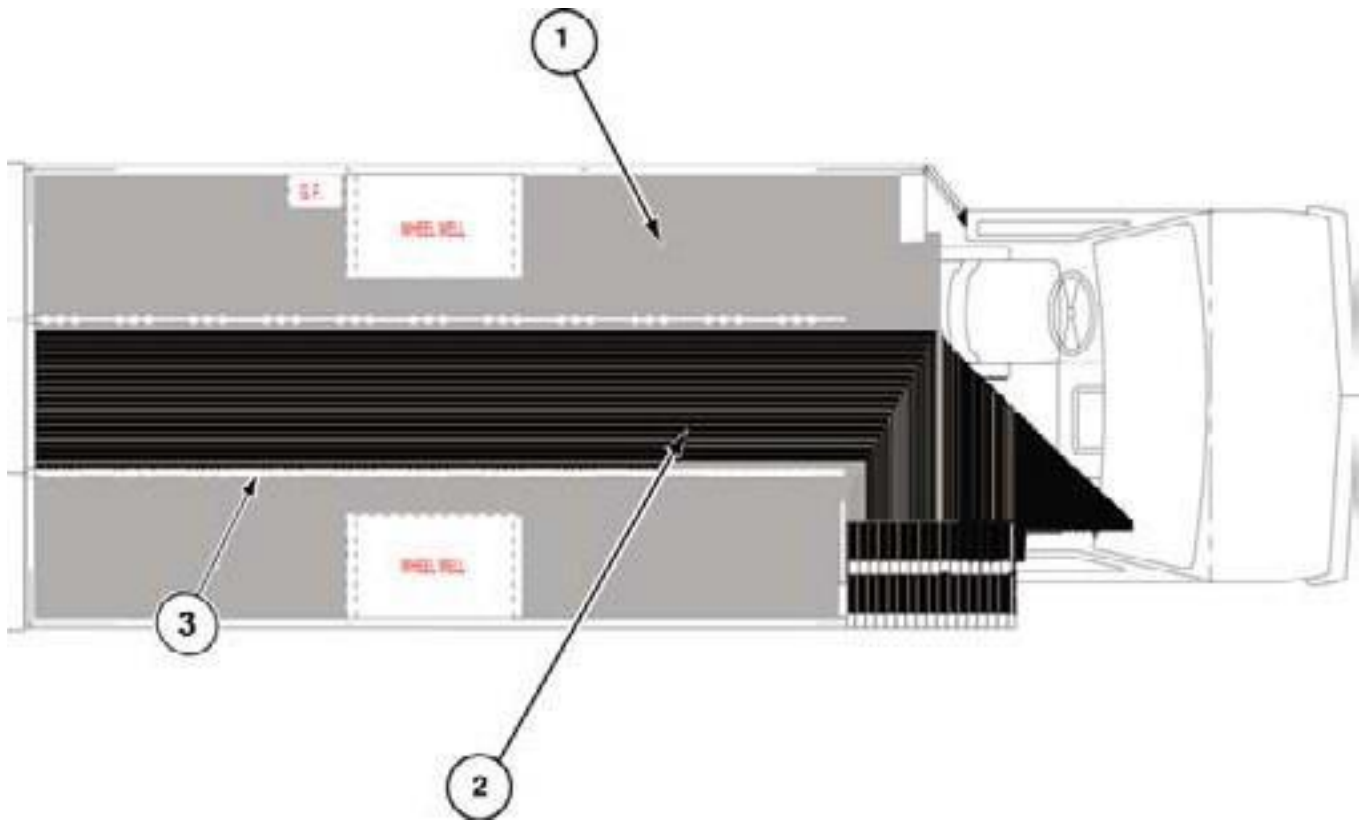
Full Floor rubber - black -0655

<u>ITEM</u>	<u>PART NO.</u>	<u>DESCRIPTION</u>	<u>QTY</u>	<u>ITEM</u>	<u>PART NO.</u>	<u>DESCRIPTION</u>	<u>QTY</u>
01	1540715	Rubber, Black .13 x 34.5 8Yd Smooth AR		FOUND IN THE ASSEMBLIES LISTED BELOW:			
02	1570319	Rubber,Black 3/16" x 29-3/8Yd RibbedAR				CH-231-998-0655	
						CH-250-900-0655	
						CT-380-900-0655	



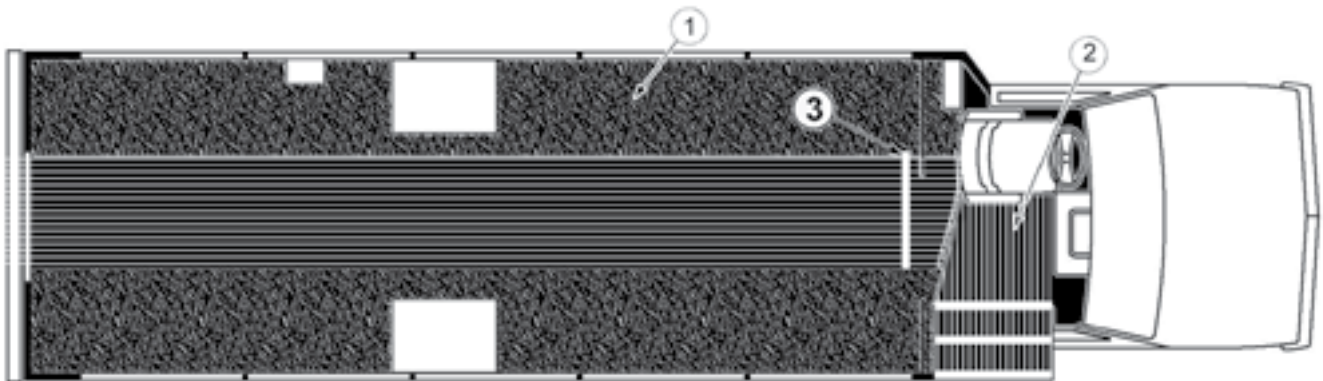
Full Floor rubber - black 30028 / 30028c

<i>ITEM PART NO. DESCRIPTION</i>	<i>QTY</i>	<i>ITEM PART NO. DESCRIPTION</i>	<i>QTY</i>
01 1570319 Rubber, Black (3/16 x 29-3/8") Rib	AR	APPLIES TO THE FOLLOWING ASSEMBLIES:	
02 1540715 Rubber, Black (.13 x 34½) Smooth	AR		CH2110030028
NS 1570474 Coving, Altro 3/4" x 5 Feet Long	AR		CH2310030028
		CH2510030028	
		CH2700030028	
		CR2110030028	
		DF2700030028	
		DF2900030028	
		DF3110030028	
		DF3300030028	
		DF3500030028	
		DF3110030028C	
		DF3300030028C	
		DF3500030028C	



Floor, Carpet with Ctr blaCk rubber

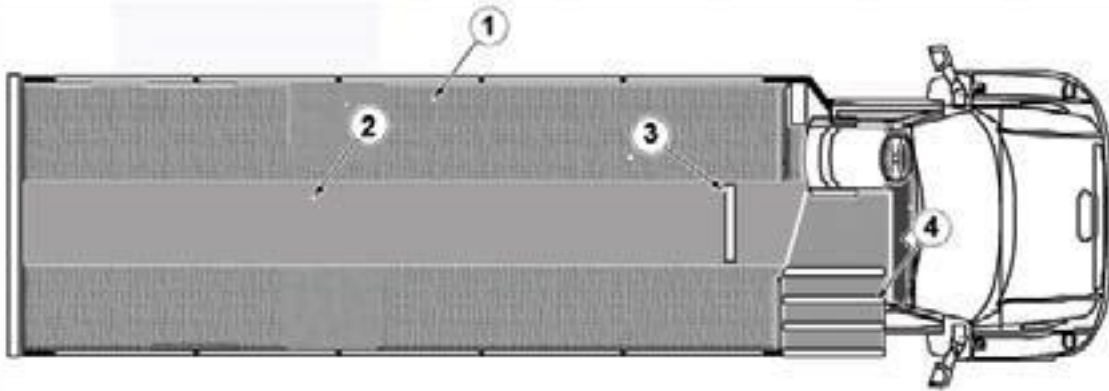
<i>ITEM</i>	<i>PART NO.</i>	<i>DESCRIPTION</i>	<i>QTY</i>	<i>ITEM</i>	<i>PART NO.</i>	<i>DESCRIPTION</i>	<i>QTY</i>
01	1570211	Carpet, Aqua Turf Grey Metallic #585	AR	REFERS TO ALL ASSEMBLIES LISTED BELOW:			
02	1570319	Rubber, Black 3/16x30x8Yds Ribbed	AR	0413090			
03	4520409	Edge, Carpet 1¼ - 14ft	AR	0413091			
NS	4540142	Angle, Aluminum 1 x 1.5 x 12'	AR	0413081			
				0413085			
				0413086			



Floor carpet with black center rubber

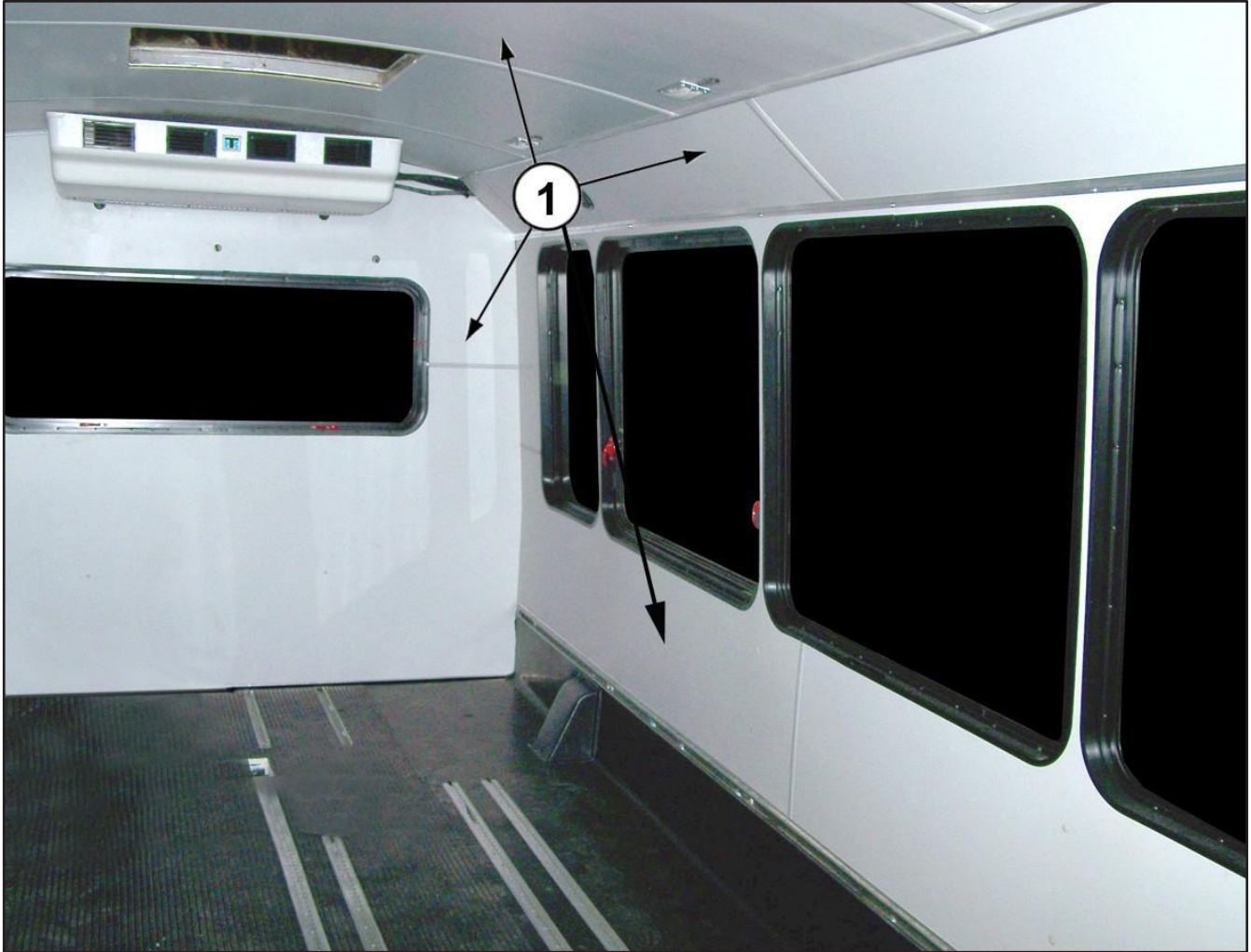
0413135, 0413140, 0413141, 0413085

<i>ITEM</i>	<i>PART NO.</i>	<i>DESCRIPTION</i>	<i>QTY</i>	<i>ITEM</i>	<i>PART NO.</i>	<i>DESCRIPTION</i>	<i>QTY</i>
1	1570211	Carpet Aqua Turf Gray metallic #5850 AR		0413085 Floor, Carpet W/Blk Ctr Rubber RCA			
2	1570292	Rubber, Black 29.38 x 288" Ribbed AR		1	1570211	Carpet Aqua Truf Gray Metallic #5820 AR	
				2	1570319	Rubber, Blk 3/16x 30"x 8Yds. Ribbed AR	



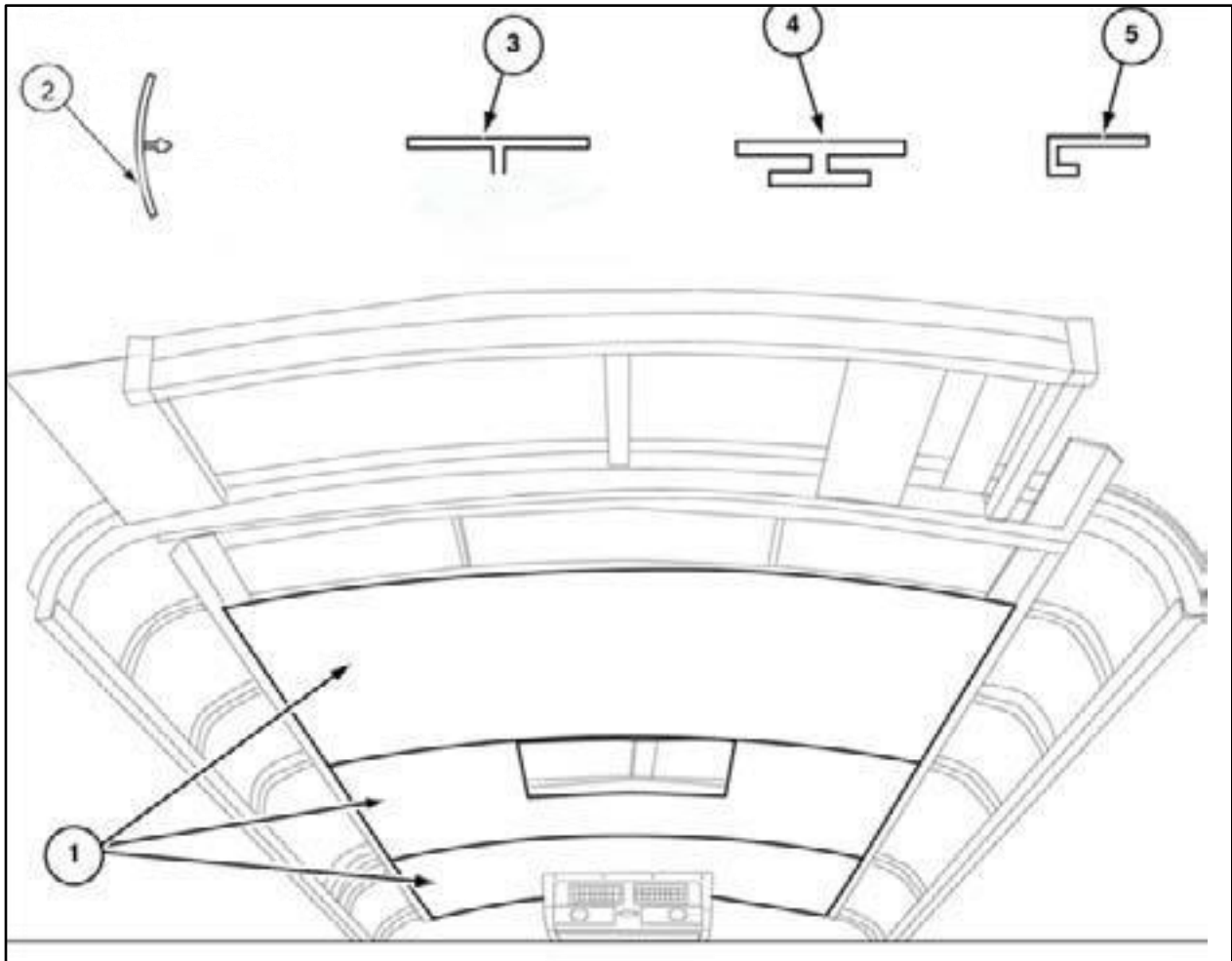
floor carpet w/genome rubber center 0421459

<i>ITEM</i>	<i>PART NO.</i>	<i>DESCRIPTION</i>	<i>QTY</i>	<i>ITEM</i>	<i>PART NO.</i>	<i>DESCRIPTION</i>	<i>QTY</i>
1	1570384	Carpet, Charcoal Flat Rock 12' Wide	12				
	4520459	Edge, Carpet 1¼ x 14'	2.5				
2	1570458	Flooring, Altro genome 79" x 786"	AR				
3	1570463	Standee, White 10 FT	AR				
4	1570509	Nosing, Alum T36T W/White Insert 10"1.5					
NS	1570460	Rod, Welding Altro Chromo Mineral	AR				
NS	1570459	Sealant, Altro Chromo Mineral A1M83	1				



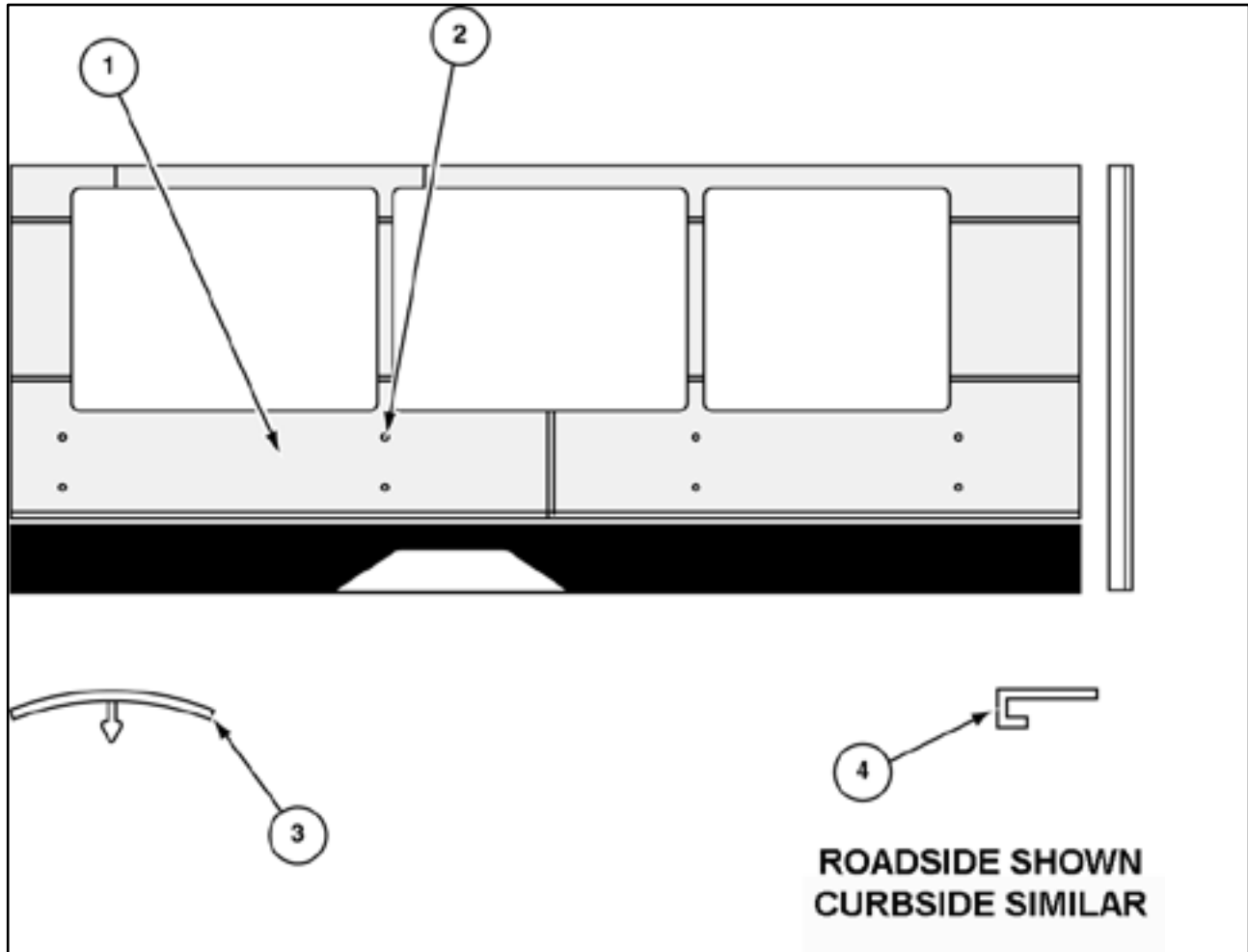
wilsonart interior sidewalls & Ceiling
0416020 / 0416021

<i>ITEM PART NO. DESCRIPTION</i>	<i>QTY</i>	<i>ITEM PART NO. DESCRIPTION</i>	<i>QTY</i>
1 0970129 Panel, Wilsonart Fahion Gray 4' x 8'	AR		
2 0970130 Panel, Wilsonart Fahion Gray 4' x 70	AR		



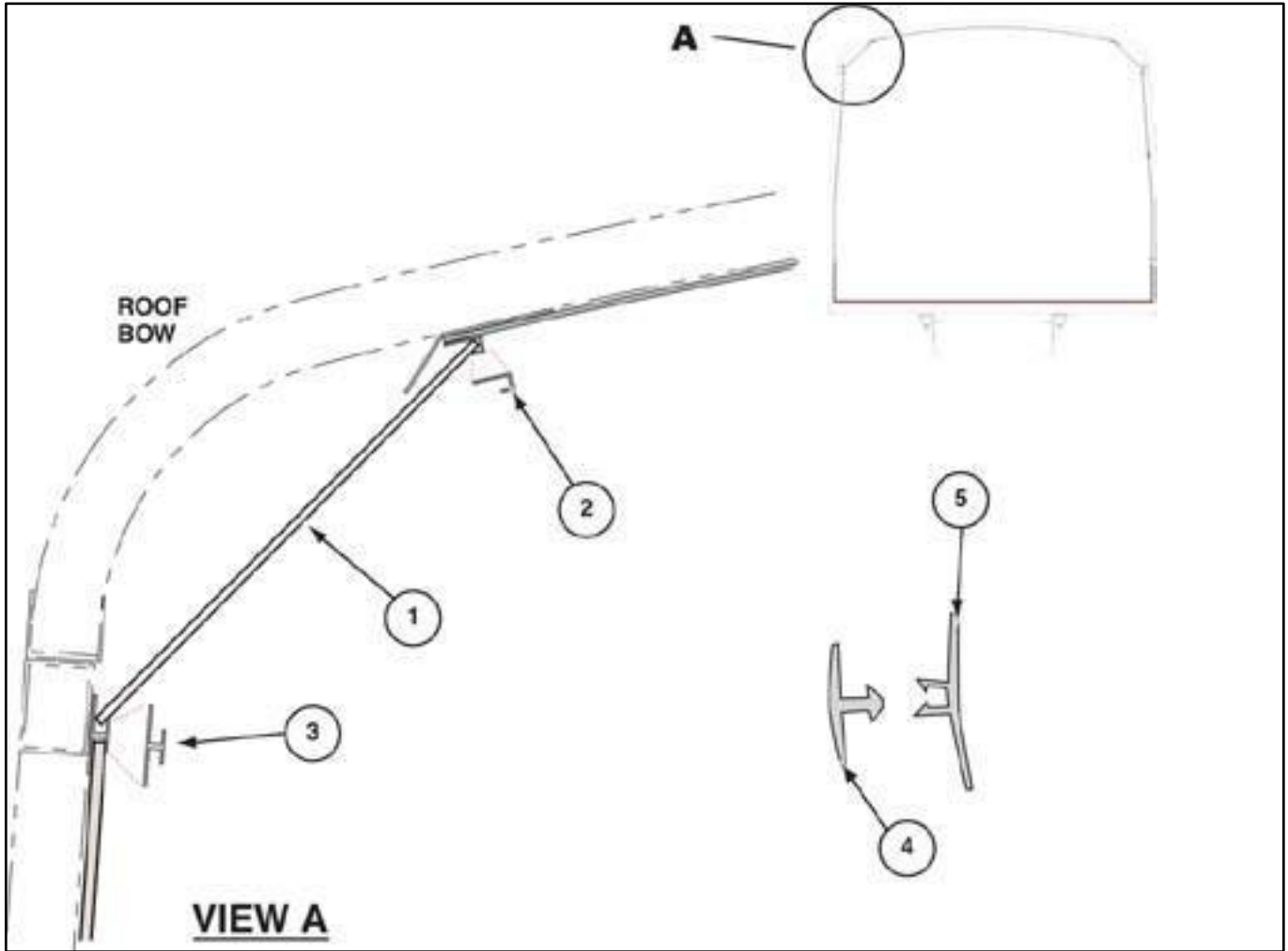
Auto cloth ceiling pAnels -3070(ch/DF/Bg/ct)

<i>ITEM PART NO. DESCRIPTION</i>	<i>QTY</i>	<i>ITEM PART NO. DESCRIPTION</i>	<i>QTY</i>
01 0970070 Panel, Silvermist 48" x 70"	AR	INCLUDES THE FOLLOWING ASSEMBLIES: CH-220-990-3070 CH-230-998-3070 CH-270-900-3070 DF-380-900-3070 DF-290-900-3070 DF-310-999-3070 BG-320-900-3070 BG-340-900-3070 CT-300-999-3070 CT-310-999-3070 CT-330-900-3070	
01 0970067 Panel, Guilana Smoke 48" x 96"	AR		
02 3371693 Batten, Ceiling Auto Cloth 7'	AR		
3370376 Retainer, Batten 8'	AR		
03 3370368 Molding, H F101-Gray	AR		
04 4570137 Bar, Divider "H" 1/4" #2039-16' Gray	AR		
05 0470144 Cap, End "J" .19 1/4" x 16' Gray	AR		
NS 3350543 Trim, Bus Corner	AR		



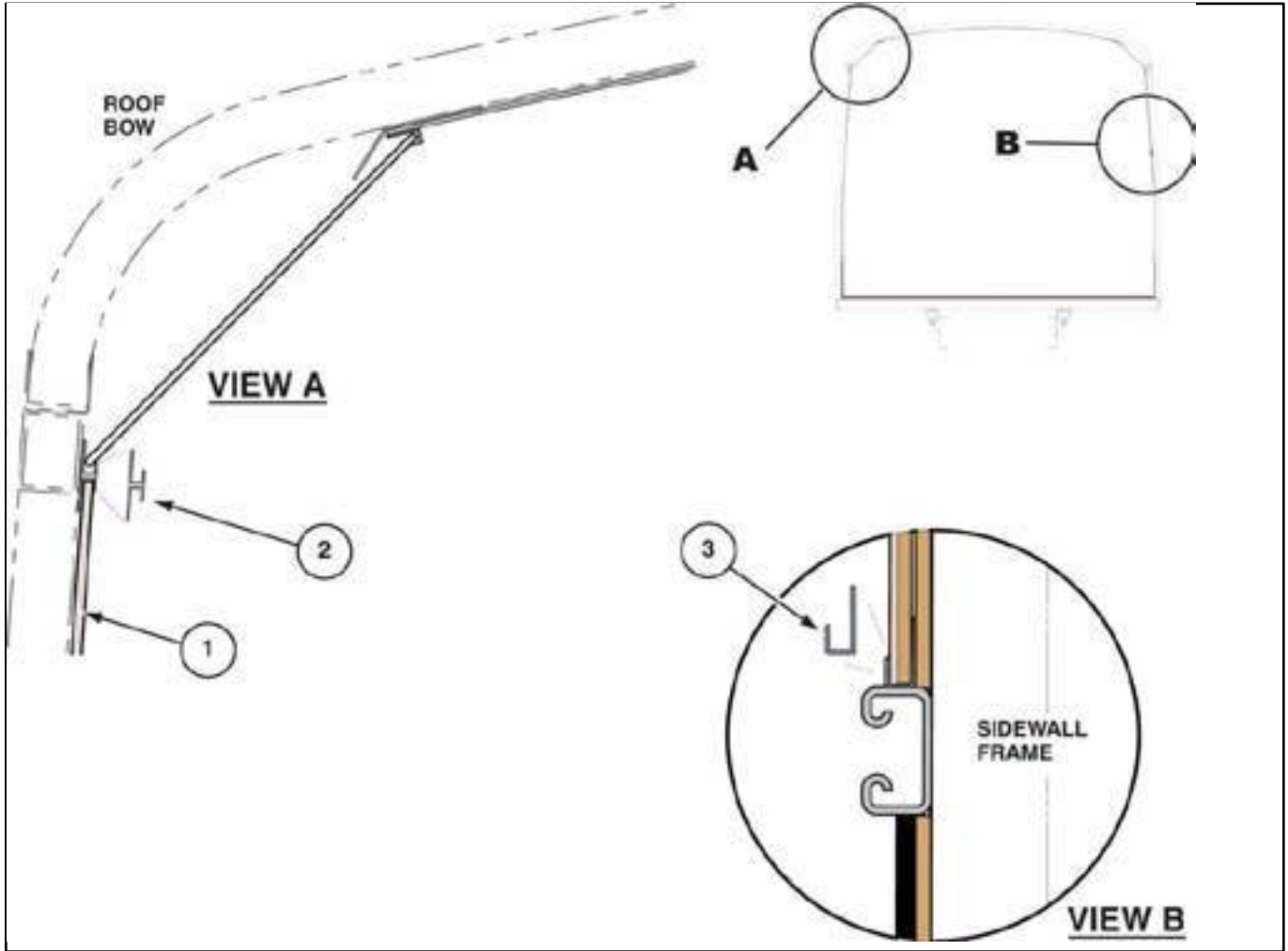
interior Auto cloth pAnels 3070

<i>ITEM PART NO. DESCRIPTION</i>	<i>QTY</i>	<i>ITEM PART NO. DESCRIPTION</i>	<i>QTY</i>
01 0970067 Panel, Guilana Smoke 48" x 96"	AR		
N/S 3371281 Molding, "H" F101-84 Blace	AR		
N/S 8570765 Screw, 8 x 1 Wafer PH Tek Zinc	AR		
N/S 8570816 Fastener, Plastic Push-In (Natural)	AR		
N/S 4570144 Cap, End "J" .19 1/4" x 16' Gray	2		



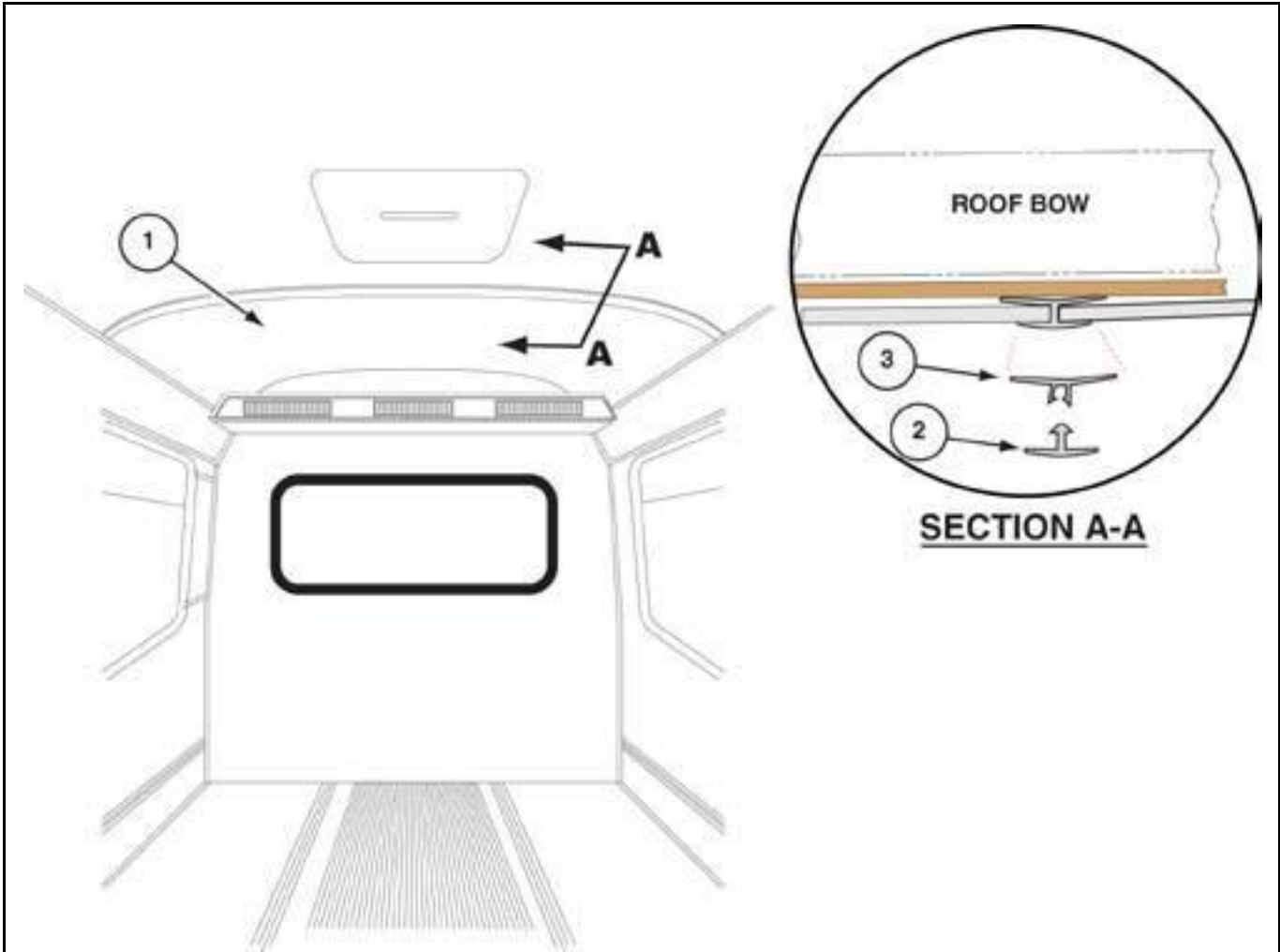
London Smoke Lightbar aLL aSSEMBLIES

<i>ITEM PART NO. DESCRIPTION</i>	<i>QTY</i>	<i>ITEM PART NO. DESCRIPTION</i>	<i>QTY</i>
01 0970052 Panel, London Smoke 3.6 (4 x 8)	A/R		
02 4570144 Cap, End "J" (.19 1/4" x 16') Mill Finish	A/R		
03 4570137 Bar, Divider, "H" 1/4" #2039 16' Gray	A/R		
04 3370990 Batten (1 1/2" x 7")	A/R		
05 3370376 Retainer, Batten 8' (RN 391X)	A/R		



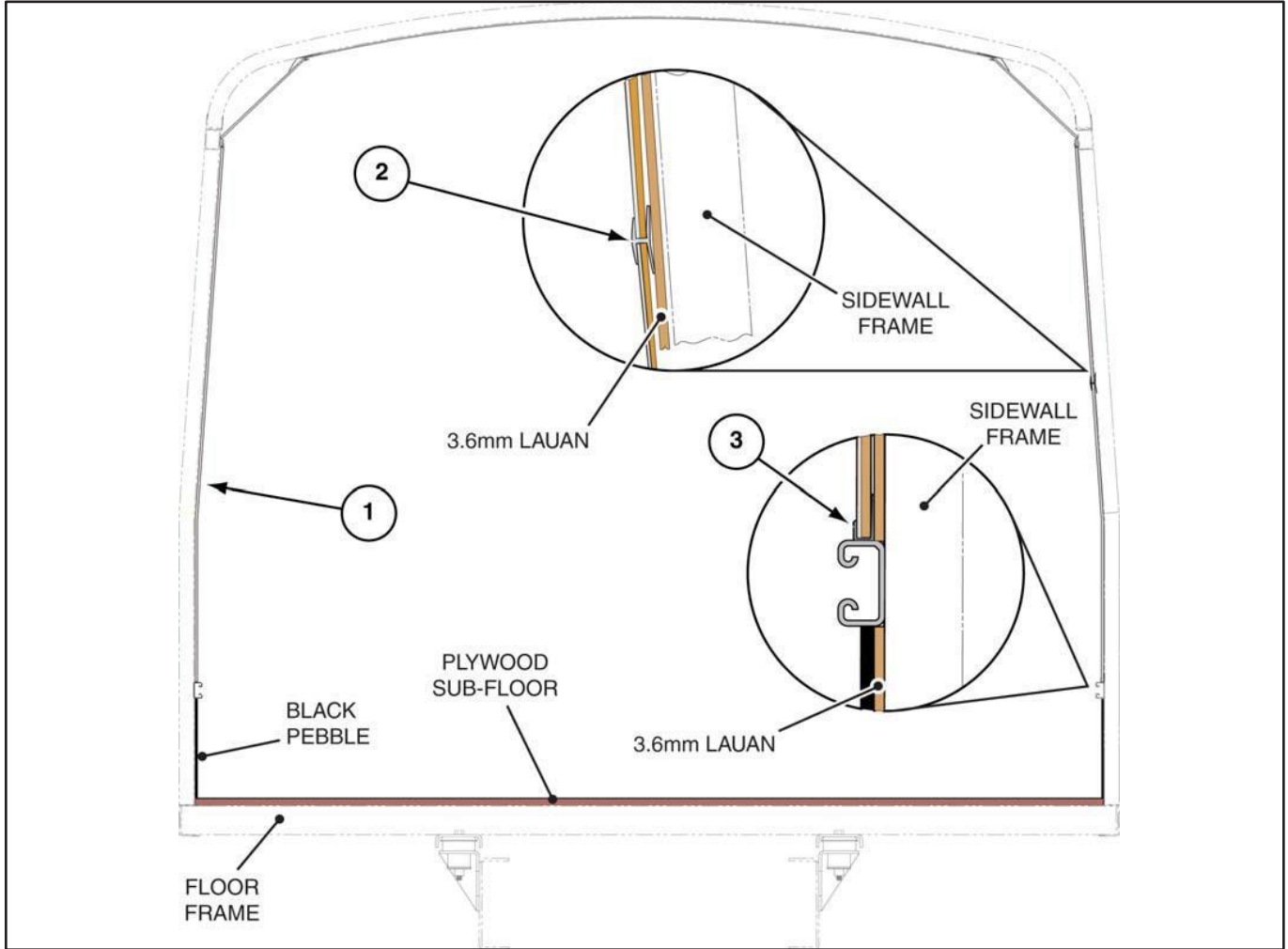
London smoke sidewall panels all assemblies

<i>ITEM PART NO. DESCRIPTION</i>	<i>QTY</i>	<i>ITEM PART NO. DESCRIPTION</i>	<i>QTY</i>
01 0970052 Panel, London Smoke 3.6 (4 x 8)	AR		
02 3370368 Molding, H F101-Grey	AR		
03 4570144 Cap, End "J" .19 1/4"x 16' Mill	AR		



London Smoke Ceiling Panels ALL ASSEMBLIES

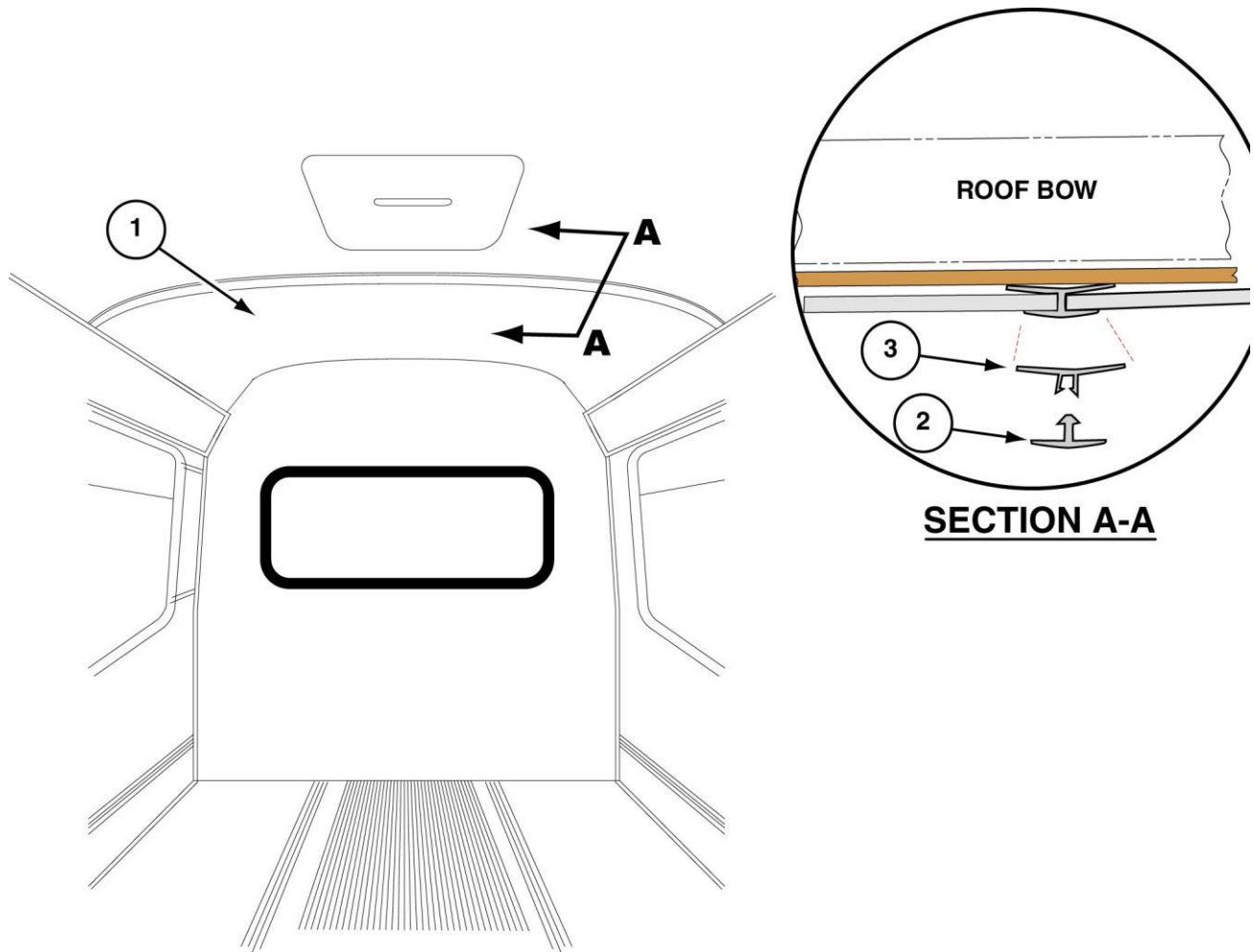
ITEM	PART NO.	DESCRIPTION	QTY	ITEM	PART NO.	DESCRIPTION	QTY
01	0970051	PANEL, LONDON SMOKE 48 x 70	A/R				
02	3370990	BATTEN 1.5 x 7 RN457-C-232-7 GRAY	A/R				
03	3370376	RETAINER, BATTEN 8'(RN 391X)	A/R				



PADDED VINYL SIDEWALL PANELS

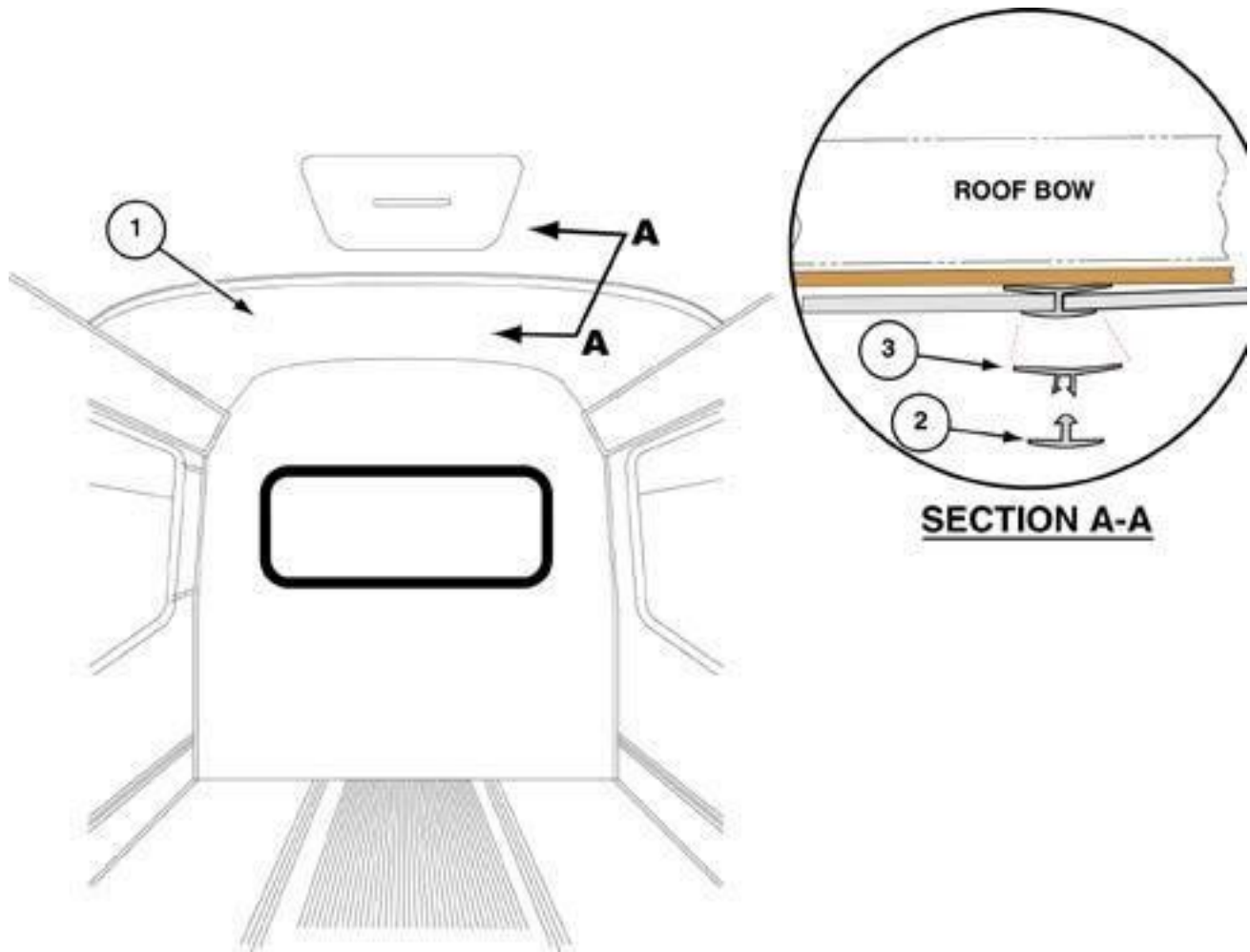
\$// \$66(0%/, (6

<i>ITEM PART NO. DESCRIPTION</i>	<i>QTY</i>	<i>ITEM PART NO. DESCRIPTION</i>	<i>QTY</i>
1 4370061 Panel, Moonbeam 48 x 96.0	AR		
2 3370368 "H" Molding, Grey	AR		
3 4570144 "J" Channel, End Cap	AR		
4570140 Cap, End "J" .19-3/16 #2900- 16' Gray	AR		
NS 7970036 Adhesive, Spray Super Tak	2		



padded vinyl ceiling
\$// \$66(0%/, (6

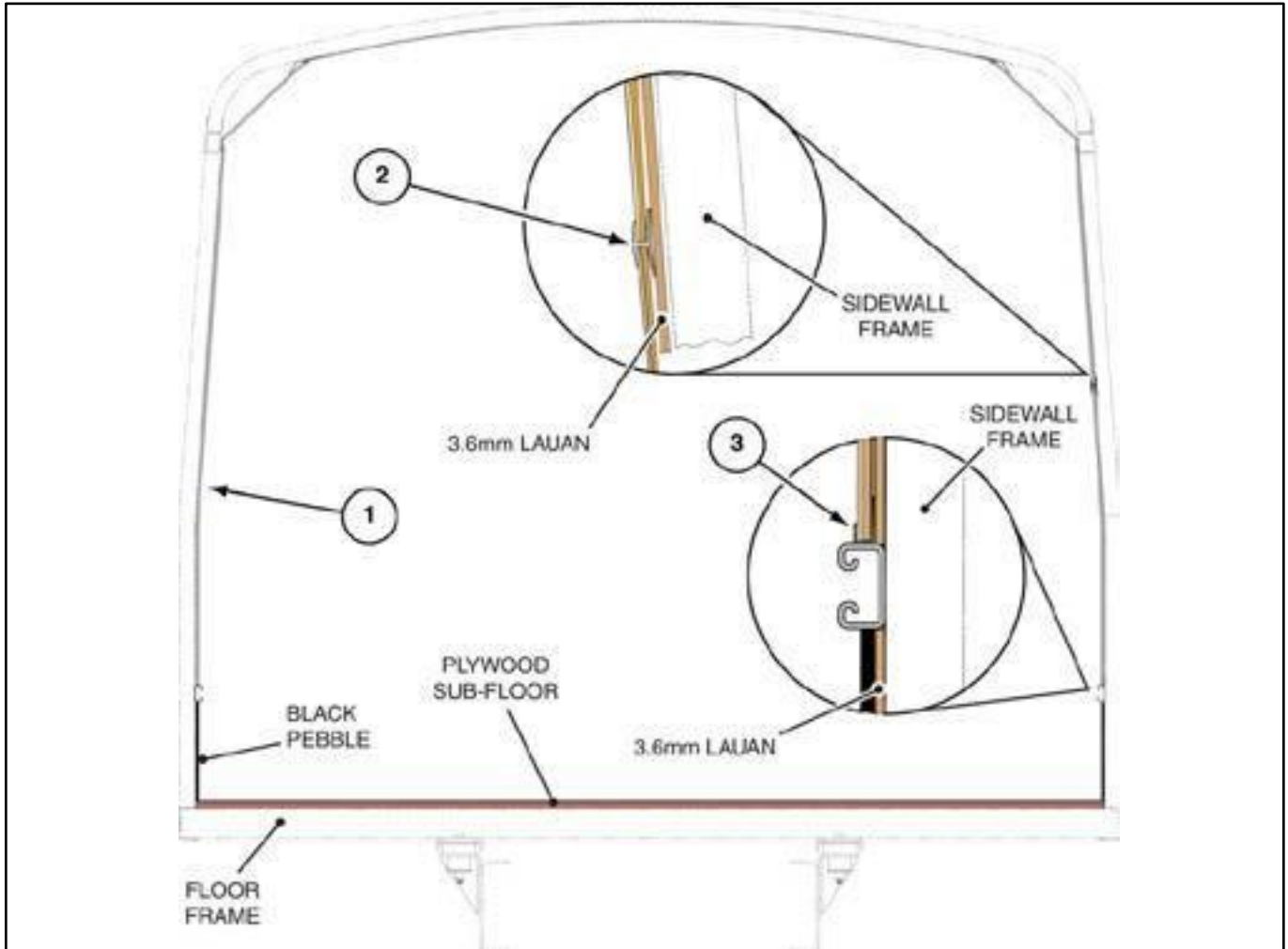
<i>ITEM PART NO. DESCRIPTION</i>	<i>QTY</i>	<i>ITEM PART NO. DESCRIPTION</i>	<i>QTY</i>
CH-250-999-S3070 Padded Vinyl Ceiling Panel			
1 0970041 Panel, Moonbeam 48 x 70	AR		
2 3370376 Retainer, Batten 8' (RN 391X)	AR		
03 3370990 Batten, 1.5 x 7 RN457-C-232-7	AR		
NS 4570144 Cap, End "J" .19 1/4" x 16' Gray	2.5		
NS 3370368 Molding, H F101-Gray	2		
NS 4570137 Bar, Divider "H" 1/4" #2039-16' Gray	AR		
NS 4370061 Panel, Moonbeam 48 x 96	1		
NS 4570137 Bar, Divider "H" 1/4" #2039- 16' Gray	AR		
0402881 Headliner, Cab Moonbeam Panel			
NS 0970041 Panel, Moonbeam 48" x 70"	1		



padded vinyl ceiling - Black

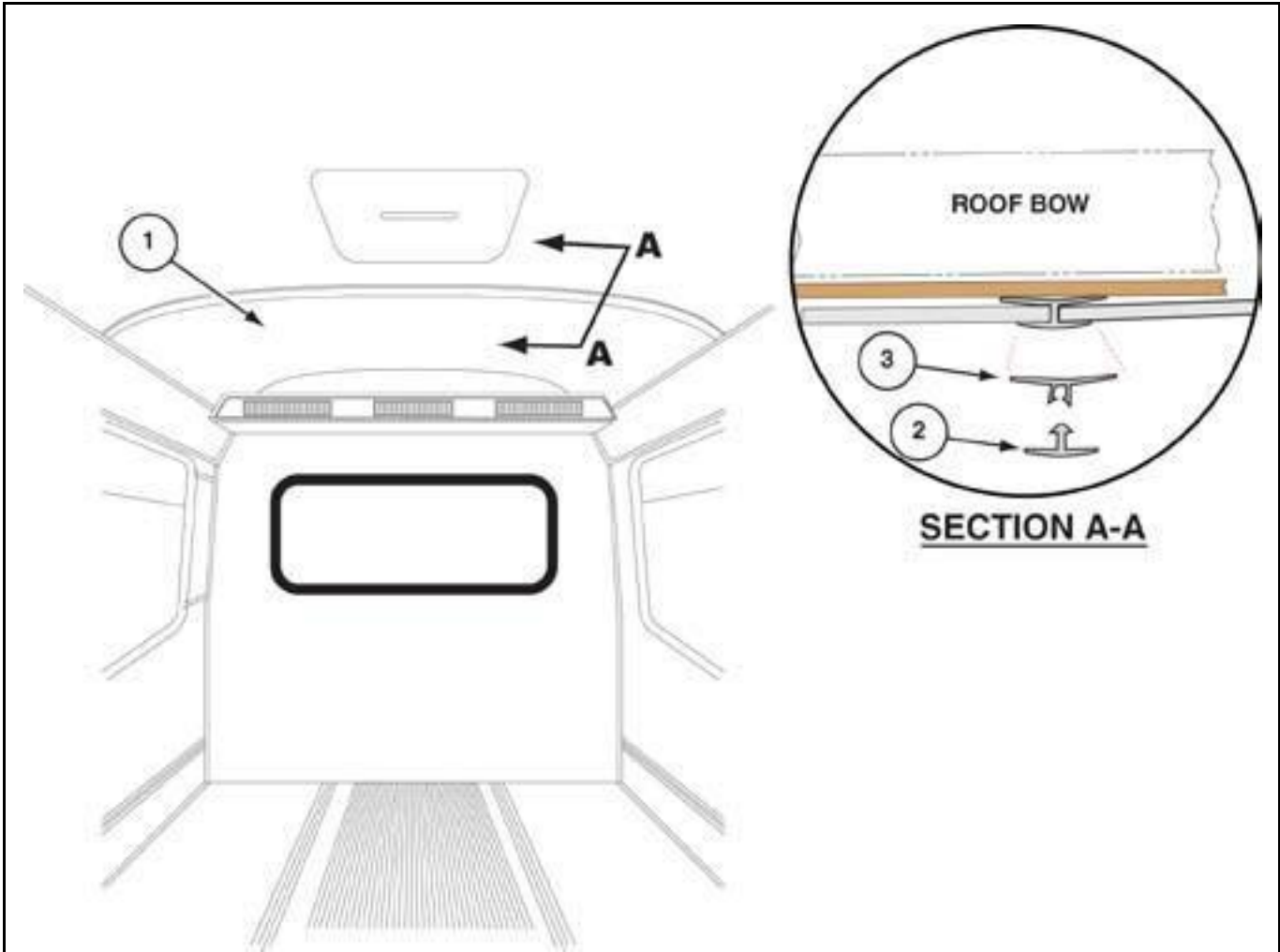
0415856

ITEM PART NO. DESCRIPTION	QTY	ITEM PART NO. DESCRIPTION	QTY
0415856 Padded Vinyl - Black Ceiling Panel			
1 0970163 Panel, Black Padd Vinyl 2.7 x 47.7x96AR			
2 3370376 Retainer, Batten 8' (RN 391X)	AR		
03 3370990 Batten, 1.5 x 7 RN457-C-232-7	AR		
NS 4570144 Cap, End "J" .19 1/4" x 16' Gray	2.5		
NS 4570137 Bar, Divider "H" 1/4" #2039-16' Gray	AR		
NS 4370061 Panel, Moonbeam 48 x 96	1		
NS 4570137 Bar, Divider "H" 1/4" #2039- 16' Gray	AR		
0402881 Headliner, Cab Moonbeam Panel			
NS 0970041 Panel, Moonbeam 48" x 70"	1		



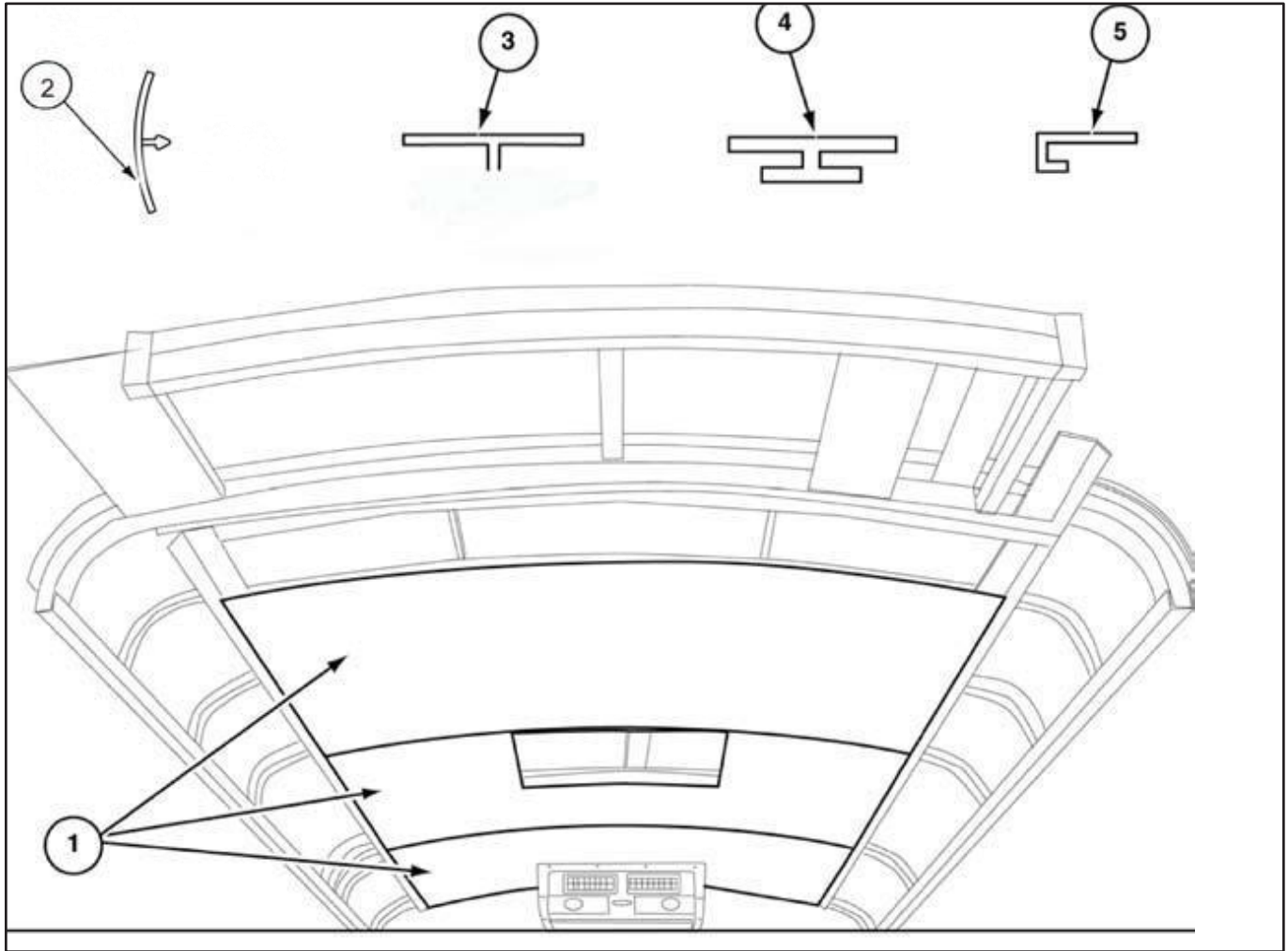
black - PaDDED VINYL SIDEWALL PaNEIS 0415857

ITEM	PART NO.	DESCRIPTION	QTY	ITEM	PART NO.	DESCRIPTION	QTY
1	0970162	Panel, Black Padded Vinyl 2.7x48x96	AR				
2	3370368	"H" Molding, Grey	AR				
3	4570144	"J" Channel, End Cap	AR				
	4570140	Cap, End "J" .19-3/16 #2900- 16'	GrayAR				
NS	7970036	Adhesive, Spray Super Tak	2				



CARLSBAD Smoke Ceiling Panels ALL ASSEMBLIES

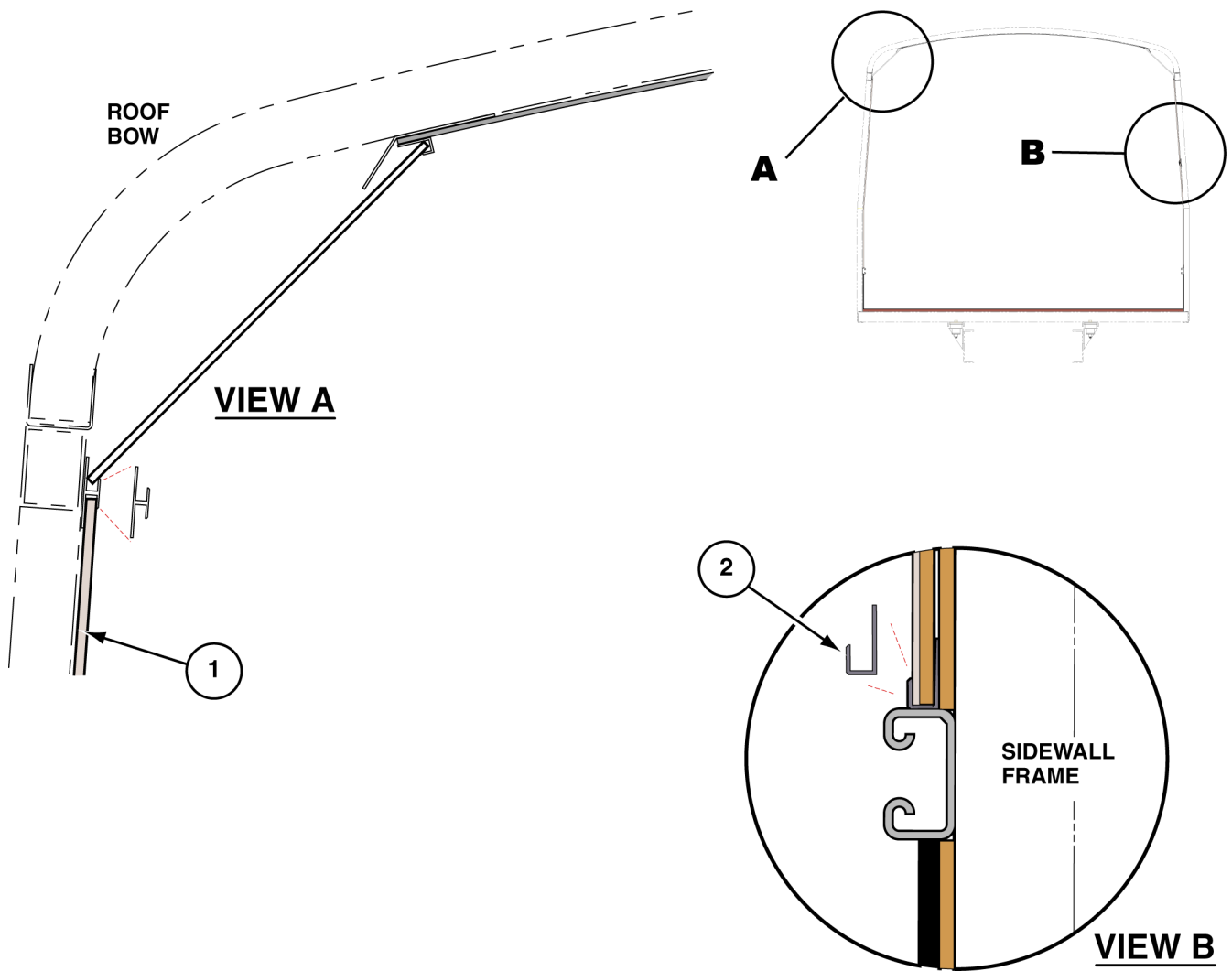
ITEM	PART NO.	DESCRIPTION	QTY	ITEM	PART NO.	DESCRIPTION	QTY
01	0970144	PANEL, CARLSBAD SMOKE 47.75 x 70	A/R				
	0970145	PANEL, CARSBAD SMOKE 48 x 96	A/R				
02	3370990	BATTEN 1.5 x 7 RN457-C-232-7 GRAY	A/R				
03	3370376	RETAINER, BATTEN 8'(RN 391X)	A/R				



FRP Ceiling

\$/ \$66(0%/, (6

ITEM PART NO. DESCRIPTION	QTY	ITEM PART NO. DESCRIPTION	QTY
1 0970058 Filon, Reinforced 48x70 Epoxy	A/R		
2 3371213 REV-A; Batton 1½x7 Gloss White	A/R		
3 3370376 Retainer, Batten (RN 391X)	A/R		
04 4570137 Bar, Divider "H" 1/4" #2039-16'	A/R		
05 4570144 Cap, End "J" .19 1/4" x 16'	A/R		
NS 3350543 Trim, Bus Corner	A/R		



frp interior
\$// \$66(0%/, (6

ITEM PART NO.	DESCRIPTION	QTY	ITEM PART NO.	DESCRIPTION	QTY
01	0970059 Filon, Reinforced (48 x 96)	A/R			
02	4570144 "J"-End Cap (.19 x 1/4 x 16')	A/R			
NS	3370368 Molding, H F101-Gray	A/R			
NS	3350543 Trim, Bus Corner	A/R			



hardshell lightbar 0410305

<i>ITEM PART NO. DESCRIPTION</i>	<i>QTY</i>	<i>ITEM PART NO. DESCRIPTION</i>	<i>QTY</i>
01 3371741 Panel, Light Bar Hard Shell Lt Gray	AR		
02 4570140 Cap, End "J" .19-3/16 #2900-16' Gr	AR		
03 4570141 Bar Divider "H" 1/8" x 16' Gray	AR		
NS 3340031 Seal, Trim Lok 1/8 Loc C 7/16 BLB	AR		

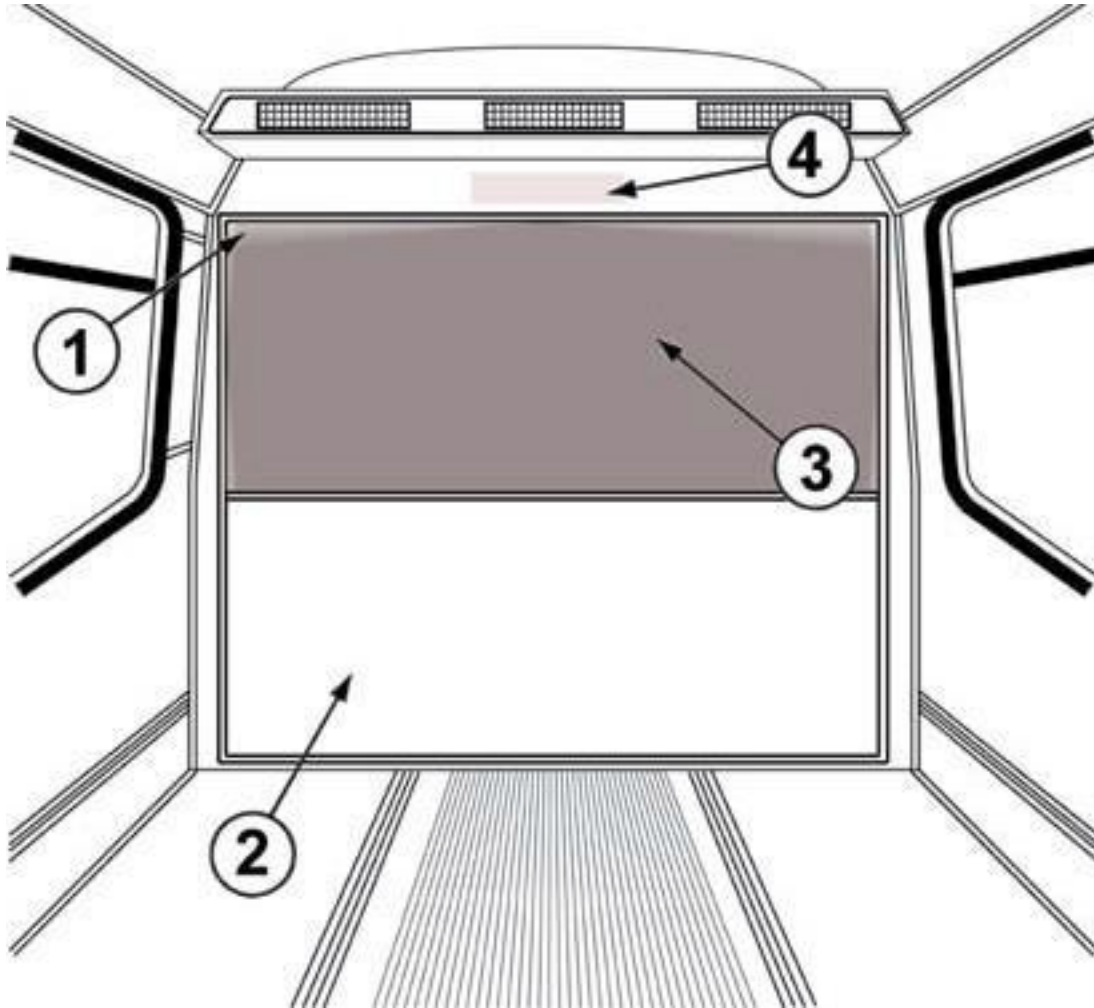


FEATURE PANEL (CEILING)

-0906 / 80906

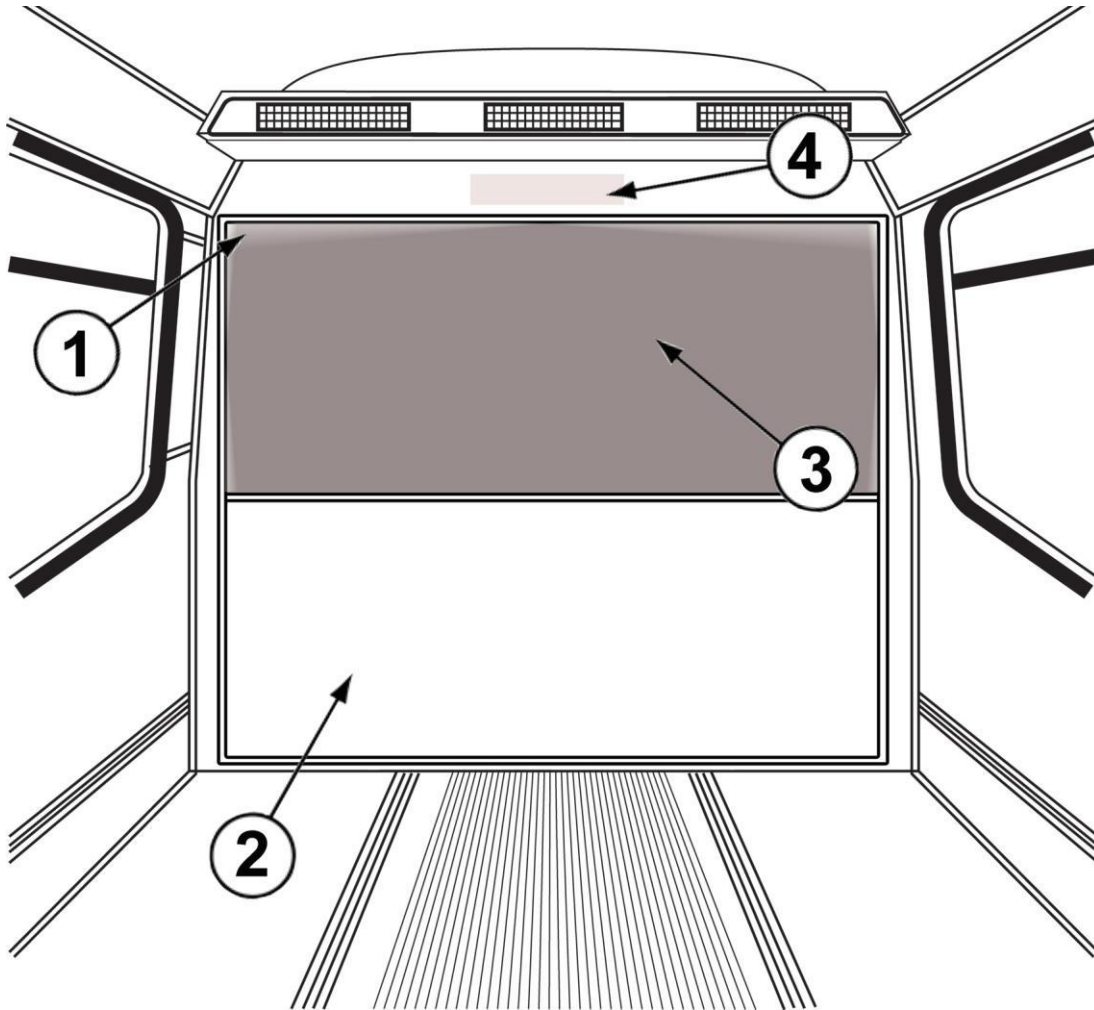
<u>ITEM PART NO. DESCRIPTION</u>	<u>QTY</u>	<u>ITEM PART NO. DESCRIPTION</u>	<u>QTY</u>
01 7371210 Fabric, Generic Feature Panel	A/R	<i>Applies to the Following Assemblies:</i>	
N/S 0970003 Plywood, 3/8 x 48 x 96 AC Fir	A/R		AM2500080906
N/S 8570697 Staple, CO3 Baapm Silver	A/R		BG3100080906
		BG3400080906	
		CH2200080906	
		CH2700080906	
		CT3800080906	
		DF2900080906	
		DF3100080906	
		BG-340-900-0906	
		CH-220-900-0906	
		CT-300-900-0906	
		CT-380-900-0906	
		DF-290-900-0906	
		DF-293-900-0906	
		DF-310-900-0906	

NOTE: *Color & pattern will vary.*



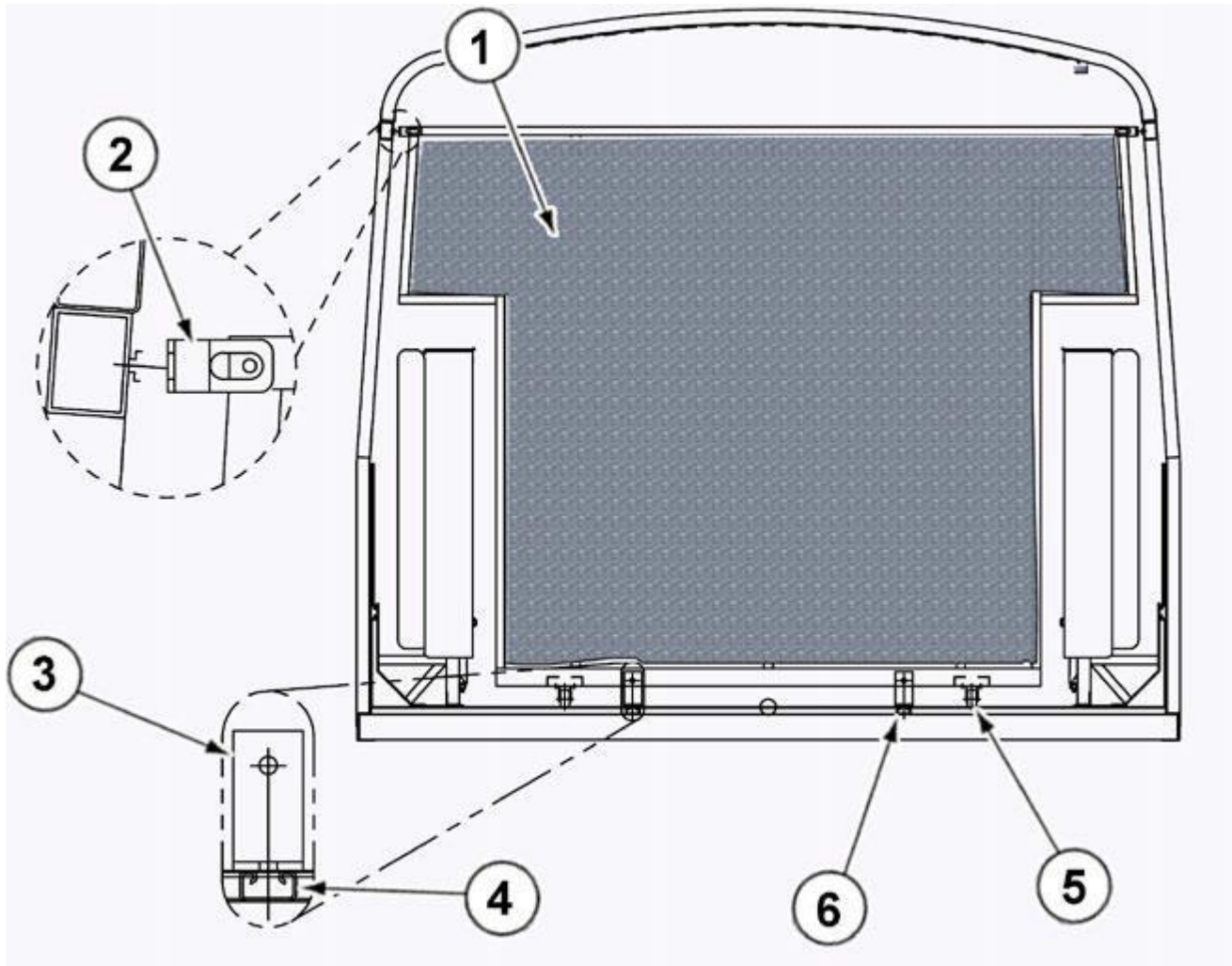
Moveable luggage Wall W/Hatch cX-000-900-3105

ITEM	PART NO.	DESCRIPTION	QTY	ITEM	PART NO.	DESCRIPTION	QTY
0403616 Moveable Luggage Wall Assembly				0404555 Track, Moveable Luggage Wall			
1	0341131	Luggage Wall, Moveable Top, 2000	2.1	NS	3371138	Cover, Channel Seat	2
2	0341131	Luggage Wall, Moveable Bottom, 2000	3	NS	0374644	Steel, Flat 11GA x 4 x 10'	2
3	0970052	Panel, London Smoke 3.6 4x8	2	NS	3370046	Insert, Clear Seat Track	2
4	8970527	Label, Removable Luggage Wall	1				
NS	4970538	Guide, Pull Chord Cast	6	NS	CX0000074004	Escape Hatch Std Contour	1
NS	0378861	Bracket, Moveable Luggage Wall	2	NS	CX0000054038	Door, Rear Comp.	1
NS	0378862	Bracket, Moveable Luggage Wall	2				
NS	0374390	Rod, Moveable Luggage Wall	2				
NS	0374391	Bracket, Rear Moveable Luggage Wall	2				
NS	3370806	Cap, Mold Gray 2" M. Lugg Wall	6				
NS	8570816	Fastener, Plastic Push-In	AR				
NS	0346387	Fitting, A/S A-530 Swivel End	4				
NS	4970469	Caster, 121-25B W/Brake 2" Rubbe Wh	2				
NS	4940037	Hinge, S/S 72" Long x 2" Open Width	1				
NS	4970662	Hinge, S/S 2" x 72" Staggered Holes	1				



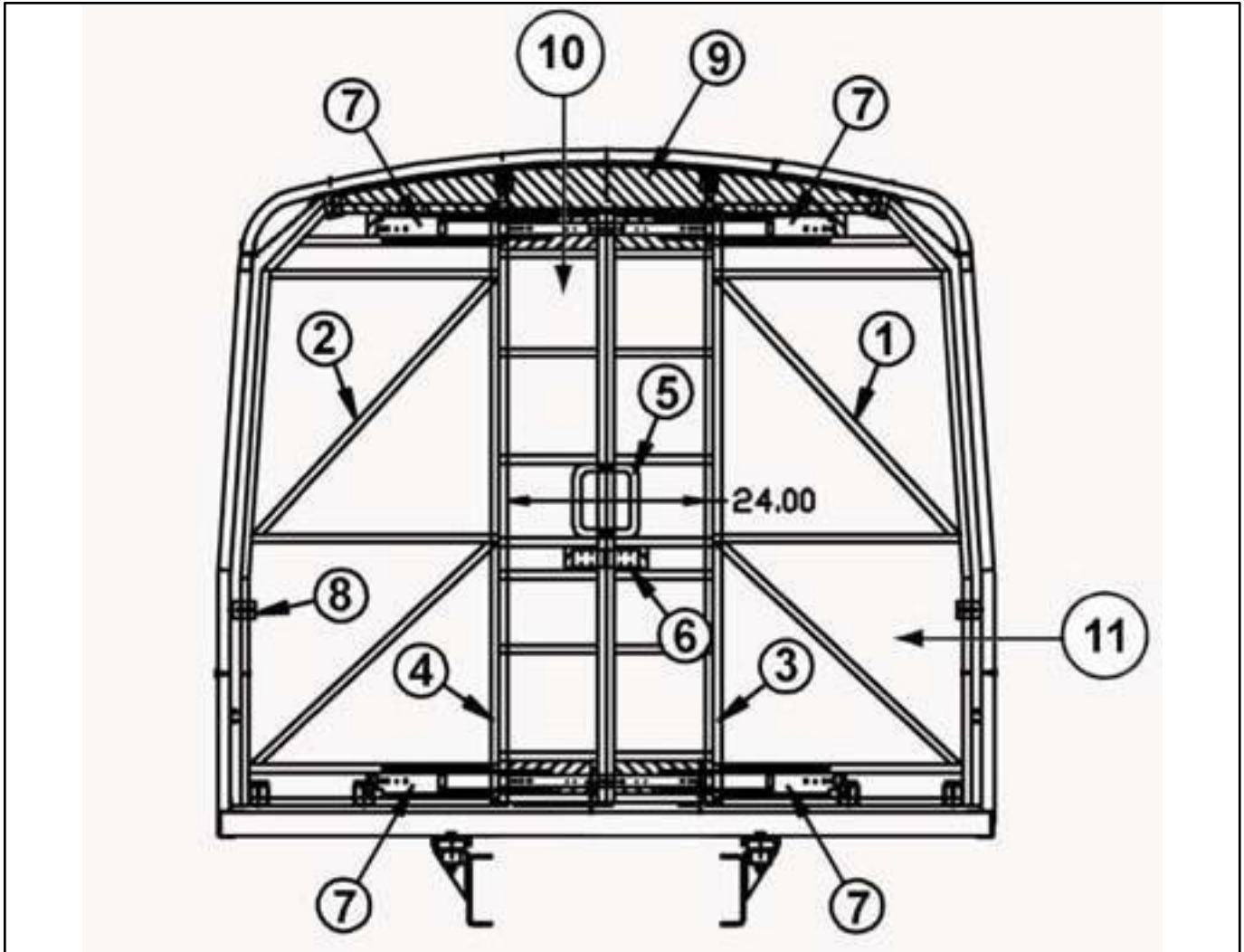
Moveable luggage Wall Without hatch cX-000-900-3105N

ITEM	PART NO.	DESCRIPTION	QTY	ITEM	PART NO.	DESCRIPTION	QTY
0403616		Moveable Luggage Wall Assembly		0404555		Track	
1	0341131	Luggage Wall, Moveable Top, 2000	1	NS 3371138		Cover, Channel Seat	2
2	0341131	Luggage Wall, Moveable Bottom, 2000	1	NS 0374644		Steel, Flat 11GA x 4 x 10'	2
3	0970052	Panel, London Smoke 3.6 4x8	2	NS 3370046		Insert, Clear Seat Track	2
4	8970527	Label, Removable Luggage Wall	1				
NS	4970563	Guide, Pull Chord Stamped	6				
NS	0378861	Bracket, Moveable Luggage Wall	2				
NS	0378862	Bracket, Moveable Luggage Wall	2				



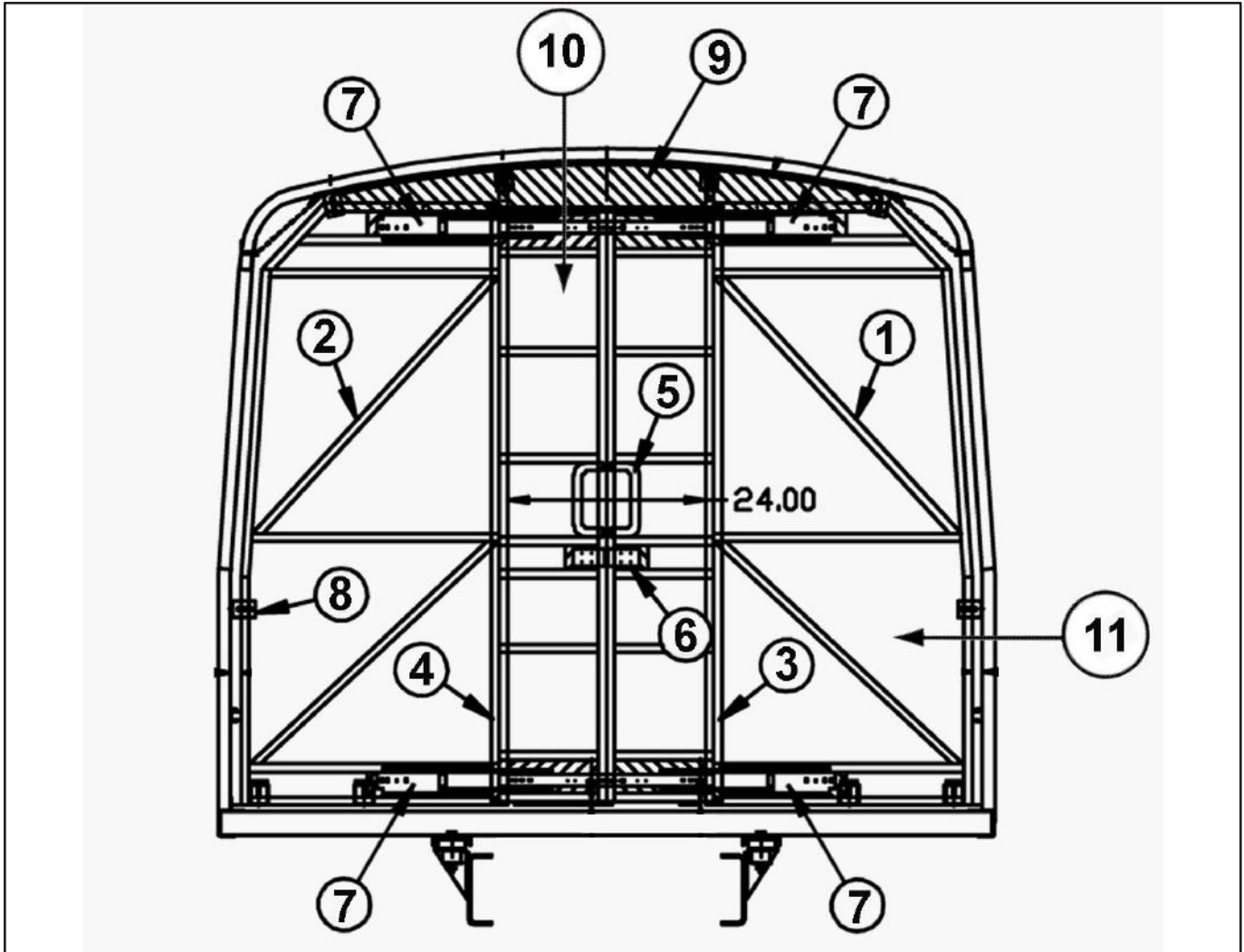
Moveable luggage Wall W/std hatch cX-000-900-3105f, 0404555, 0415239, 0415196

ITEM	PART NO.	DESCRIPTION	QTY	ITEM	PART NO.	DESCRIPTION	QTY
00	CX-000-900-3105F	Moveable Lugg Wall With ADA Foldaway Seat		01	0415196	Moveable Lugg 3/4 Hgt Foldaway 94"	
	0415196	See List Below	1		0741058	Insulation, Board 1.0 x 48 x 96 #2 VI	3
	0404555	See List Below	1		1570283	U-Channel, Rigid 1-1/8" x 8' Dull White	8
NS	0379178	Screen, Window Luggage Rear Door	1		1570306	Carpet, Cargo Liner Charcoal 72"	5
	CX0000074004	Install, Hatch Escape STD Contour			9270834	Adhesive, APP to Avalon Ash	5
NS	1770663	Hatch, Escape Non-Static	1		4570133	Tube, .125 x 1" x 2" x 8' Aluminum Rd	1.5
01	0415239	Install, Movable Luggage Wall w/Hatch	1		0970116	Filon, 48" x 96" .035 Smooth White	2
2	0379236	Bracket, 2.50" x 1.00" Moveable Lugg Wall	2		4570132	Tube, .125" x 1" x 1" x 8'	4
NS	4570061	Track, Tiedown Aluminum-L W/O Flange (Wall)	1		4570152	Tube, Aluminum Sq. Edge .125 x 1" x 6" x 8'	1
3	0377896	Angle, .24 x 3 x 4 Structure	2	06	0404555	Install, Track Moveable Lugg Wall	
4	0375851	Nut, Unistrut W/Spring (Track Seating)	4		0377052	Chanel, Seat Track 10'	2
	8541922	Bolt, Hex 3/8 x-16 x 3/4 GR5 Plated	2		3371138	Cover, Channel Seat	2
	8570509	Washer, Flat 3/8 USS GR8 Zinc	2		0374644	Steel, Flat 11GA x 4 x 10'	2
5	4970469	Caster, W/Brake 2" Rubber Wheel	2		3370046	Insert, Clear Seat Track	2
NS	7371604	Kit, Mount Series L (FE-200747)	2				



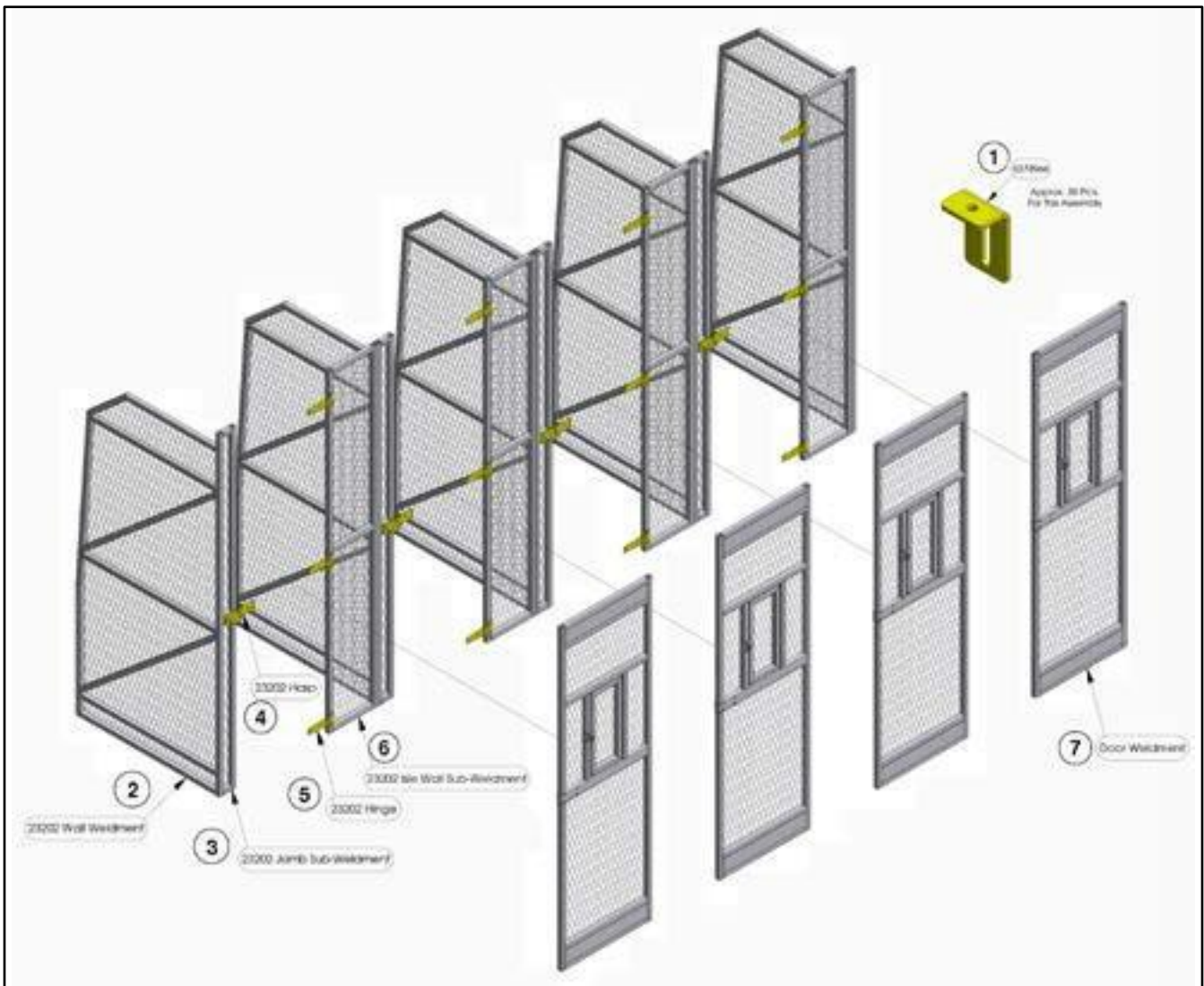
cage wall - dual door w/acrylic (rev-d)
0417647 / 0417711

<i>ITEM</i>	<i>PART NO.</i>	<i>DESCRIPTION</i>	<i>QTY</i>	<i>ITEM</i>	<i>PART NO.</i>	<i>DESCRIPTION</i>	<i>QTY</i>
1	0379116	Wall, Prison Bus Fixed Slider Door R/S	1	07	0170808	Slide, Basic 3320 14"	4
2	0379118	Wall, Prison Bus Fixed Slider Door C/S	1	8	0378966	Bracket, Mounting Prison Wall Cage	10
3	0379117	Door, Prison Bus Fixed Slider R/S	1	9	0379137	Plate, Prison Wall Top Divider Dual Dr	1
4	0379119	Door, Prison bus Fixed Slider C/S	1	10	5970979	Lexan, .220 x 48 x 96	AR
05	0378977	Handle, Offset Pull 8" x 1" x 1/4" - 20"	2	11	5970979	Lexan, .220 x 48 x 96	AR
06	0378976	Bracket, Hasp 4 x 2 HRS Prison Door	2	NS	0379007	Spacer, Slider Door Handle 1"x1x.25	4
				NS	8971289	Tape, 3M 5952 1" x 36 Yards	1



cage wall - dual door w/acrylic
0417647 / 0417711

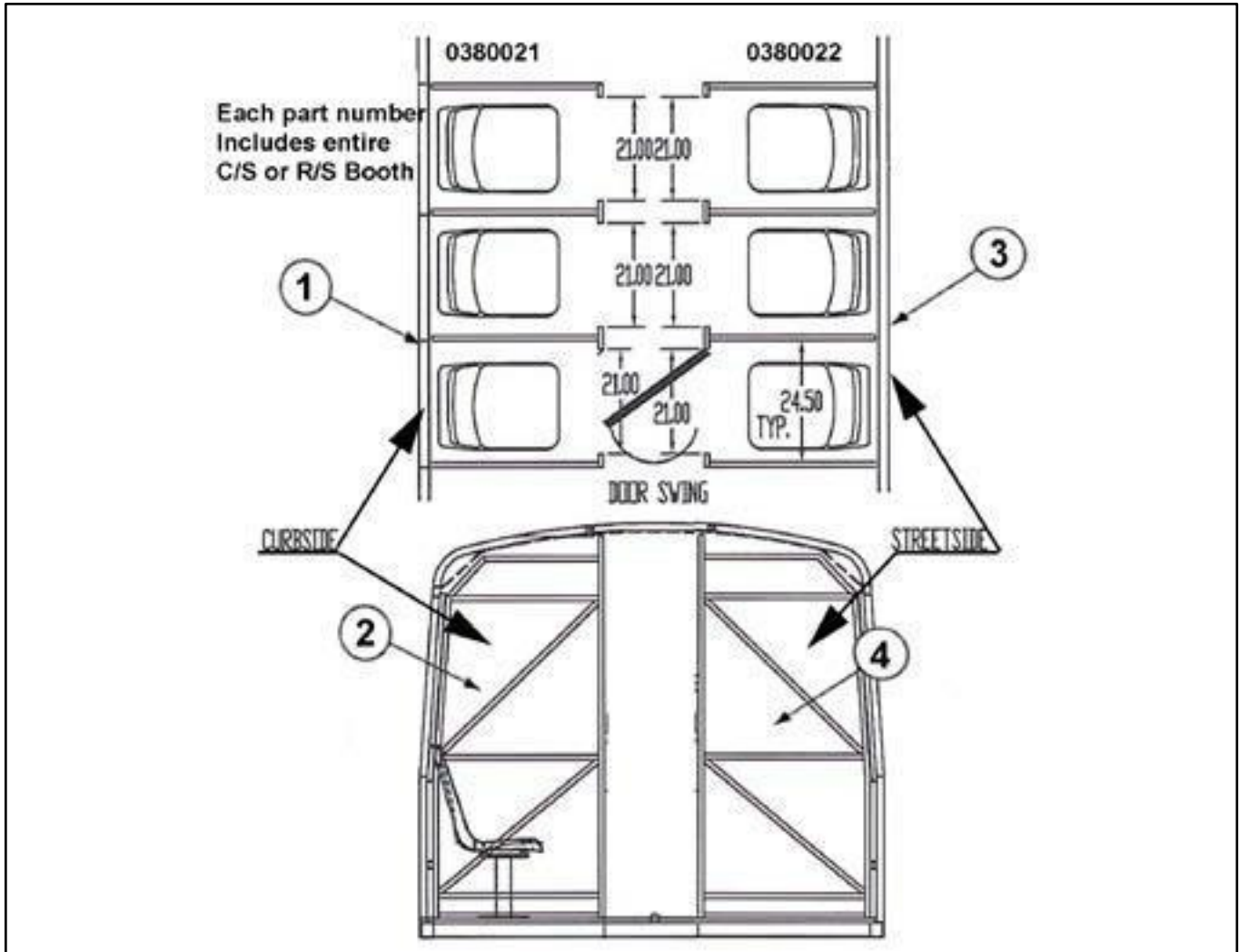
<i>ITEM PART NO. DESCRIPTION</i>	<i>QTY</i>	<i>ITEM PART NO. DESCRIPTION</i>	<i>QTY</i>
1 0379116 Wall, Prison Bus Fixed Slider Door R/S	1	07 0170808 Slide, Basic 3320 14"	4
2 0379118 Wall, Prison Bus Fixed Slider Door C/S	1	8 0378966 Bracket, Mounting Prison Wall Cage	10
3 0379117 Door, Prison Bus Fixed Slider R/S	1	9 0379137 Plate, Prison Wall Top Divider Dual Dr	1
4 0379119 Door, Prison bus Fixed Slider C/S	1	10 5971112 Acrylic, Clear. 25" x 4' x 8' Sheet	AR
05 0378977 Handle, Offset Pull 8" x 1" x 1/4" - 20"	2	11 5971112 Acrylic, Clear. 25" x 4' x 8' Sheet	AR
06 0378976 Bracket, Hasp 4 x 2 HRS Prison Door	2	NS 0379007 Spacer, Slider Door Handle 1"x1x.25	4



CURBSIDE ISOLATION BOOTHS

0421888

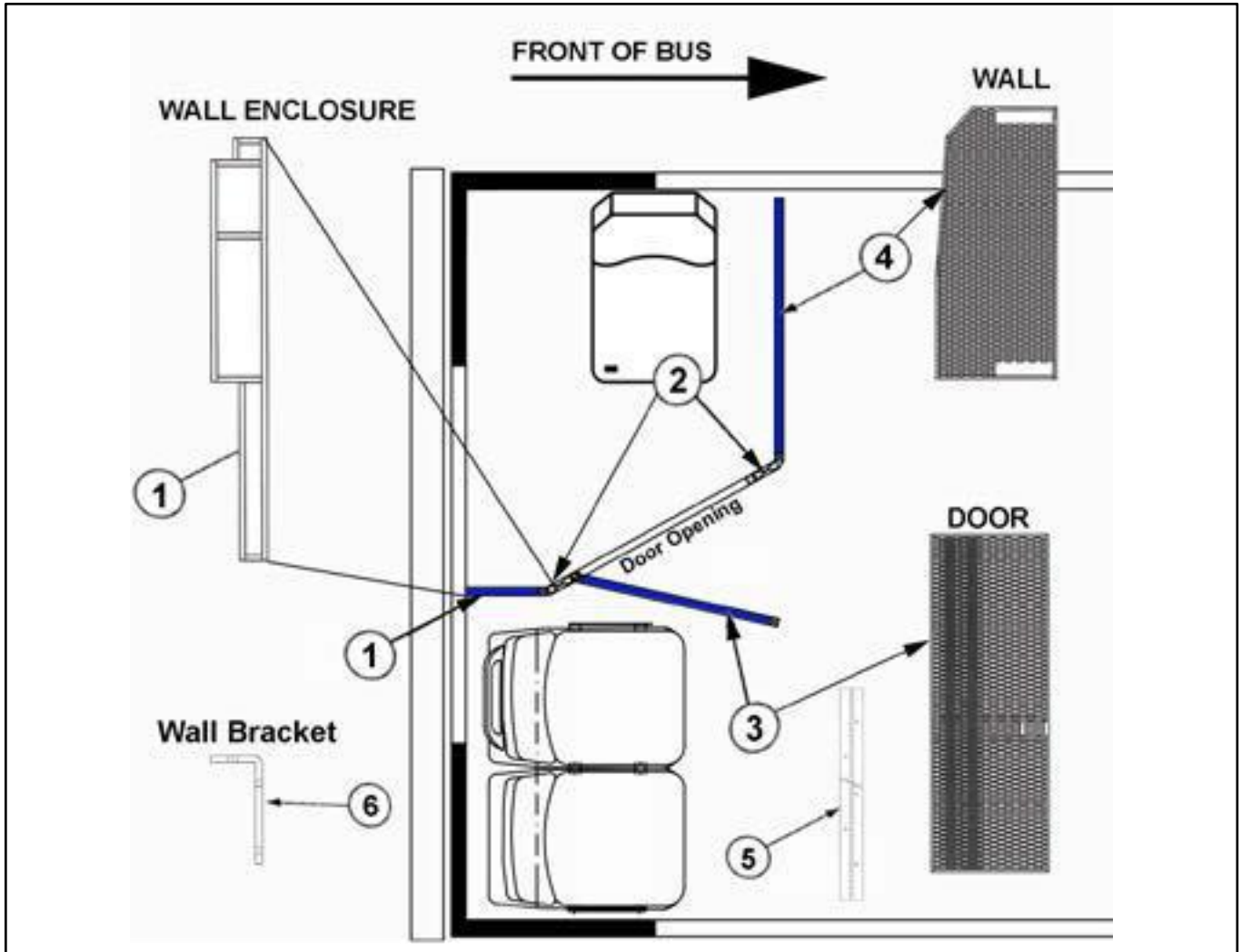
<u>ITEM</u>	<u>PART NO.</u>	<u>DESCRIPTION</u>	<u>QTY</u>	<u>ITEM</u>	<u>PART NO.</u>	<u>DESCRIPTION</u>	<u>QTY</u>
1	0380062	Booth, Isolation Curbside 23202	1				
2	0378966	Bracket, Mounting Prison Wall Cage 3/16"	AR				
3	N/A*	Wall Weldment, Cage (End) Wall	5				
4	N/A*	Jamb Sub-Weldment	4				
5	N/A*	Hasp, Heavy Duty Hasp	4				
6	N/A*	Hinge, S/S	12				
7	N/A*	Aisle Wall Sub-Weldment	4				
8	N/A*	Door Weldment 22"	4				



isolation booths c/s & r/s

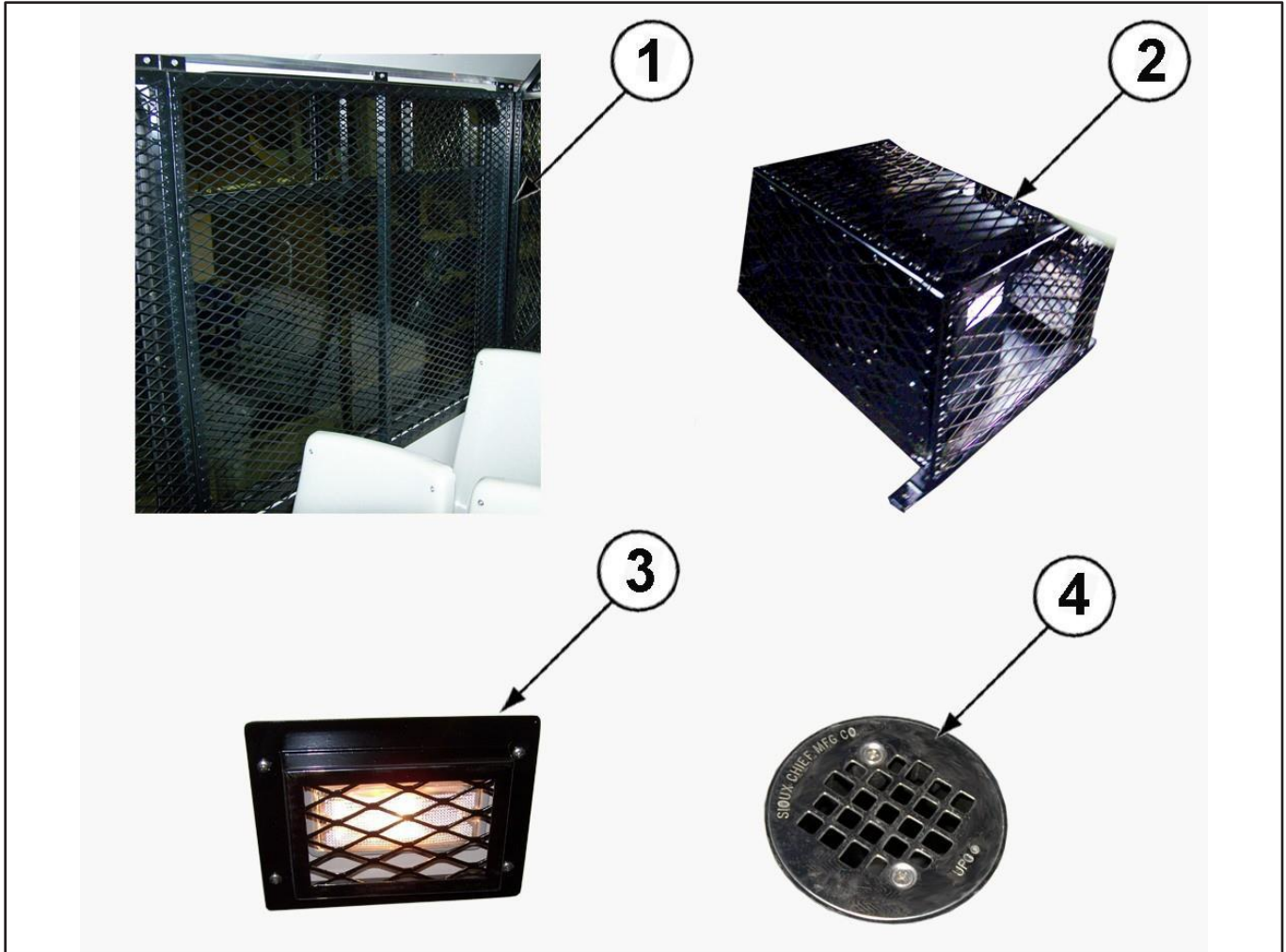
0421676 / 0421677

<u>ITEM</u> <u>PART NO.</u> <u>DESCRIPTION</u>	<u>QTY</u>	<u>ITEM</u> <u>PART NO.</u> <u>DESCRIPTION</u>	<u>QTY</u>
0421676 Install, Booth 77.5" x 34¹/₄" Aisle C/S		0421677 Install, Booth 77.5" x 34¹/₄" Aisle R/S	
01 0380021 Booth, ISO Prison 77.5" x 34.25"	1	03 0380022 Booth, ISO Prison 77.5" x 35 ¹ / ₄ " Aisle	1
02 5970979 Lexan, .220 x 48" x 96"	1	04 5970979 Lexan, .220 x 48" x 96"	1



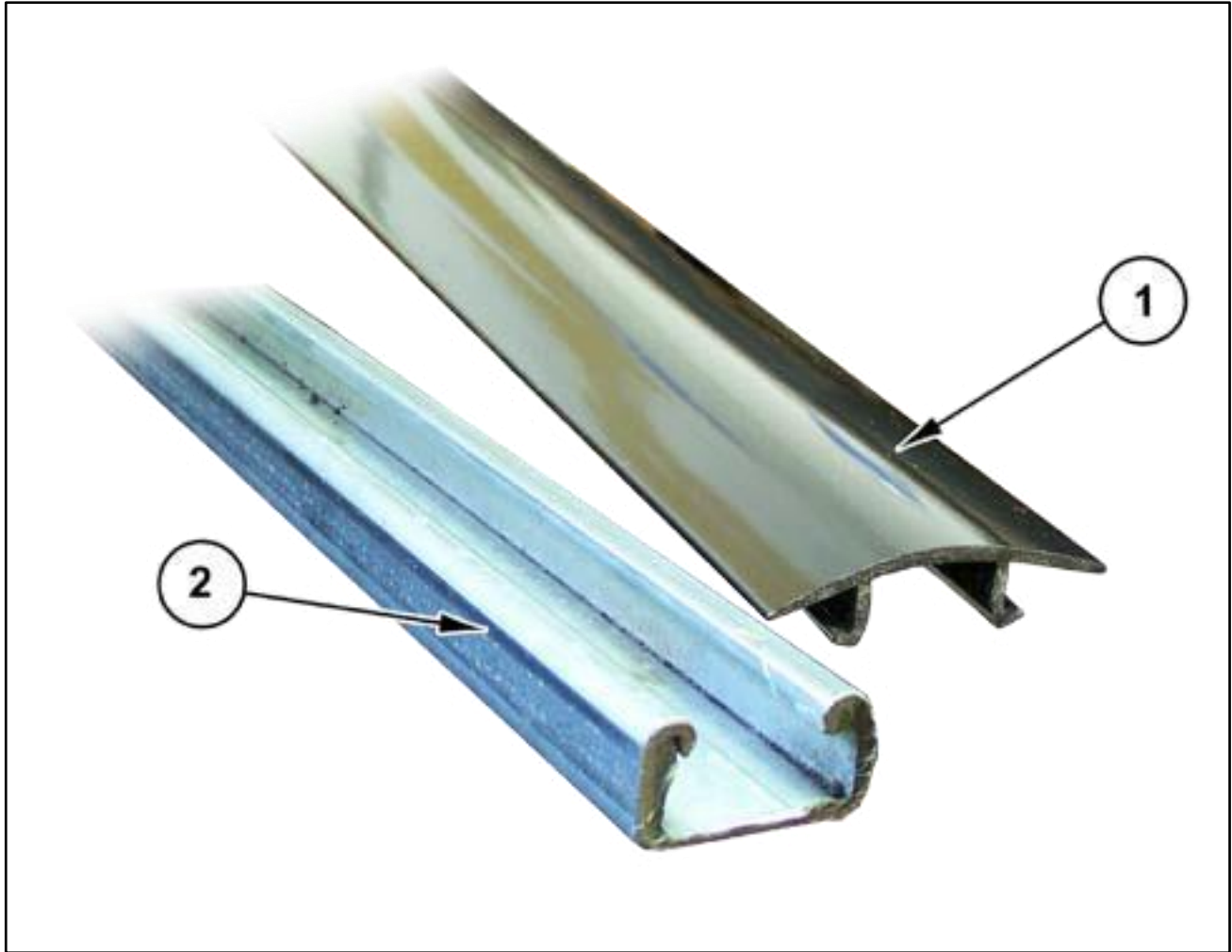
**prison guard enclosure
0421652**

<i>ITEM</i>	<i>PART NO.</i>	<i>DESCRIPTION</i>	<i>QTY</i>	<i>ITEM</i>	<i>PART NO.</i>	<i>DESCRIPTION</i>	<i>QTY</i>
1	0380009	Guard, Enclosure Part A	1	NS 0374306	Rod, 3/8 x 44.0	2	
2	0380010	Guard, Enclosure Part B	2	NS 5970979	Lexan, .220 x 48 x 96"	1	
3	0380011	Guard, Enclosure Part C	1				
4	0379116	Wall, Prison Bus Fixed Slider Door R/S	1				
5	4970662	Hinge, S/S 2" x 72" Staggered Holes	1				
6	0378966	Bracket, Mounting Prison Wall Cage	7				



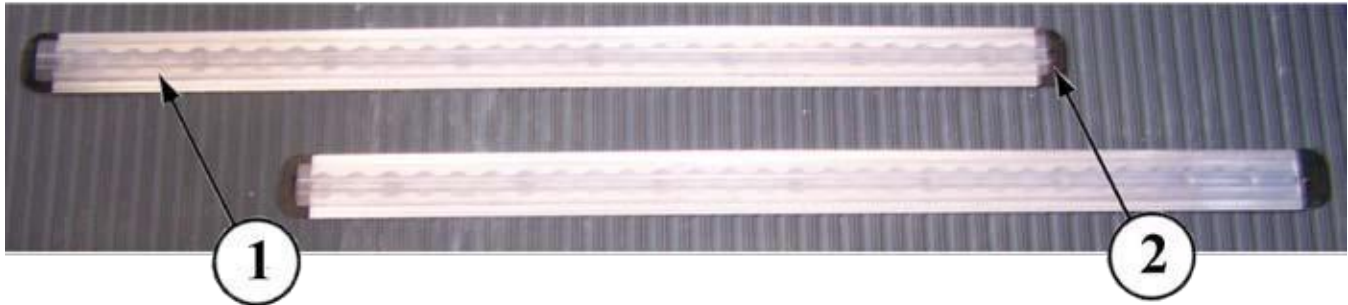
prison bus cage items
cX0000055259, 55260, 55261, 55262

<i>ITEM PART NO. DESCRIPTION</i>	<i>QTY</i>	<i>ITEM PART NO. DESCRIPTION</i>	<i>QTY</i>
CX0000055259 Cage, Window Prison Bus		CX0000055260 Storage Gun & Ammo	
01 0379106 Cage, Window 46.5 x 36.38	4	NS 0378978 Box, Gun & Ammo Storage Prison Bus	1
CX0000055262 Cage, Lights, Heaters		NS 4970714 Hasp, Corner 4" Gun Box Lock	1
2 0379107 Cage, Heater 35K ProAir	2	CX0000055261 Floor Drain Prisoner Transport	
3 0379108 Cover, Frame Light Prison Bus	12	04 2971277 Drain, Floor Black ABS 4"	1



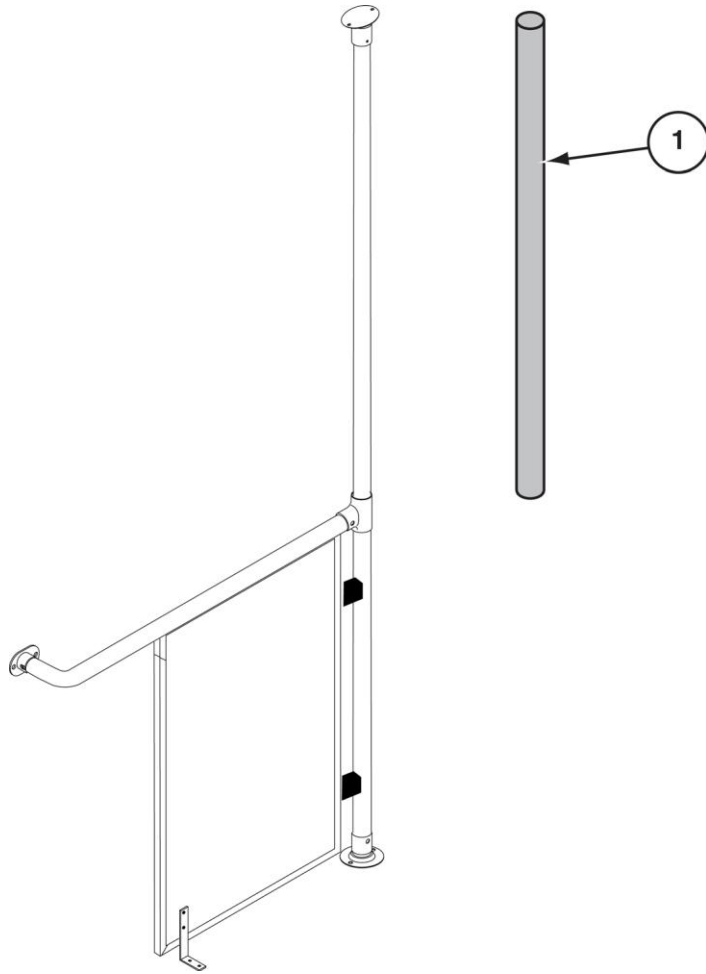
track seating - entire bus 2010

<i>ITEM PART NO. DESCRIPTION</i>	<i>QTY</i>	<i>ITEM PART NO. DESCRIPTION</i>	<i>QTY</i>
01 3371138 Cover, Channel Seat 8'	A/R	INCLUDES THE FOLLOWING ASSEMBLY NO'S:	
02 0377052 Channel, Seat Track 10' HR Steel	A/R	CR-210-900-2010	DF-310-900-2010
		CR-211-900-2010	DF-290-900-2010
		CR-213-900-2010	DF-250-900-2010
		CH-210-900-2010	DF-270-900-2010
		CH-211-900-2010	FD-290-900-2010
		CH-230-900-2010	
		CH-250-900-0210	
		CH-251-903-2010	
		CH-251-902-2010	
		CH-270-900-2010	
		CT-271-902-2010	
		CT-330-999-2010	
		CT-300-998-2010	
		BG-340-900-2010	



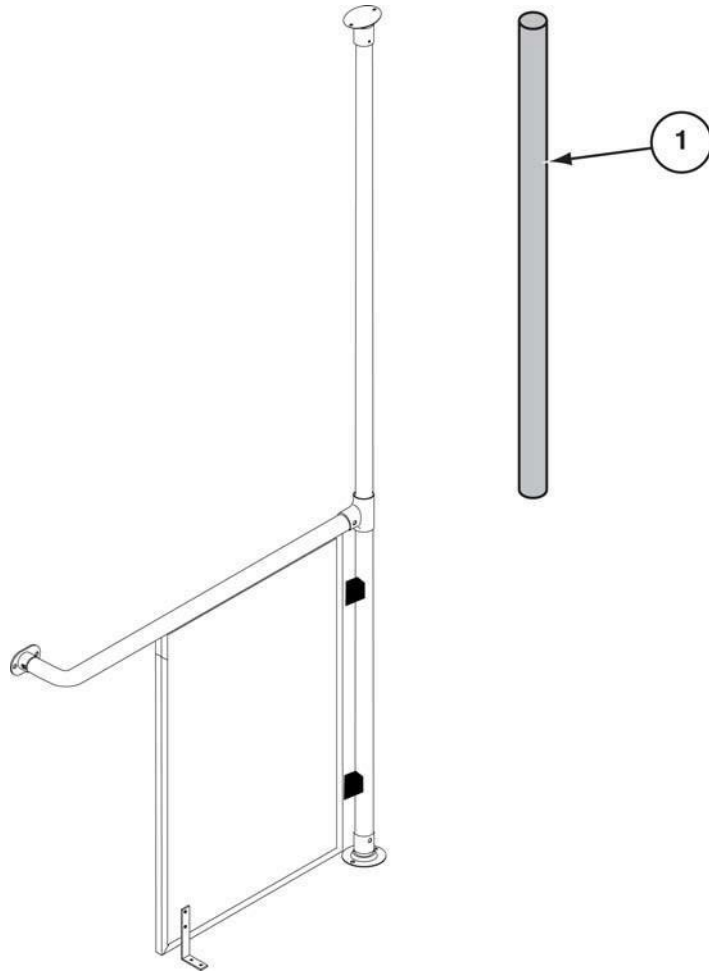
Wheelchair track 0415129

<i>ITEM PART NO. DESCRIPTION</i>	<i>QTY</i>	<i>ITEM PART NO. DESCRIPTION</i>	<i>QTY</i>
01 0374644 Steel, Flat 11 GA 4"x120"	A/R		
02 7371133 End, Floor Track - Black Plastic	4		
N/S 7371215 Track, Tiedown Aluminum - L	A/R		
N/S 3370046 Insert, Clear Seat Track x 96.0	A/R		



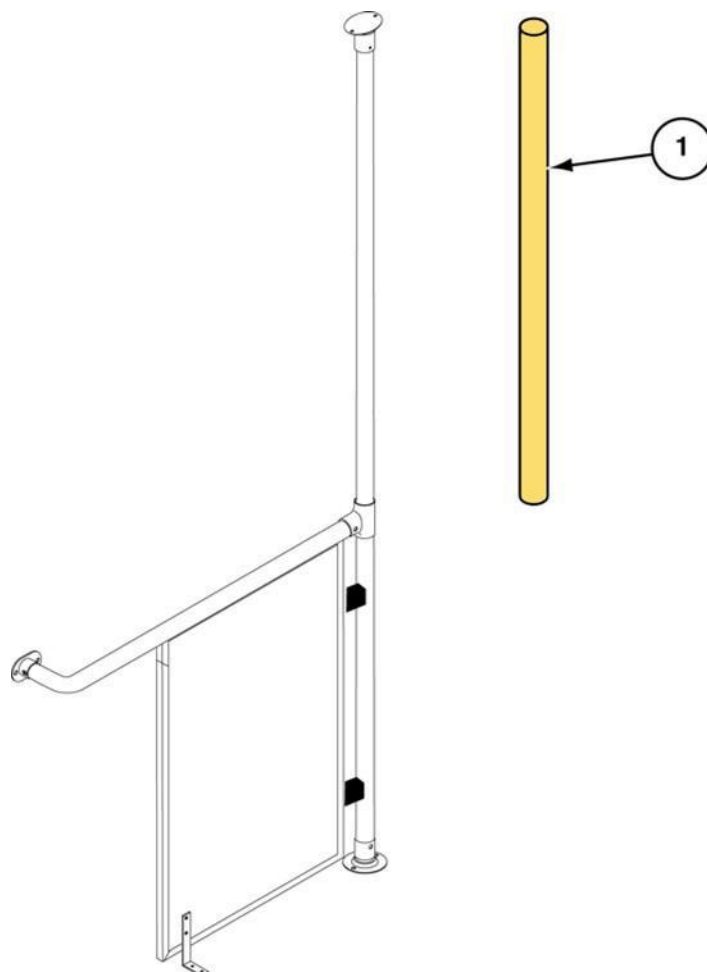
Stanchion padding dELUXE- gRaY
cX-000-900-1913 / cX0000070004

<i>ITEM</i>	<i>PART NO.</i>	<i>DESCRIPTION</i>	<i>QTY</i>	<i>ITEM</i>	<i>PART NO.</i>	<i>DESCRIPTION</i>	<i>QTY</i>
01	6170104	PAD, STANCHION GRAY 36"	3				



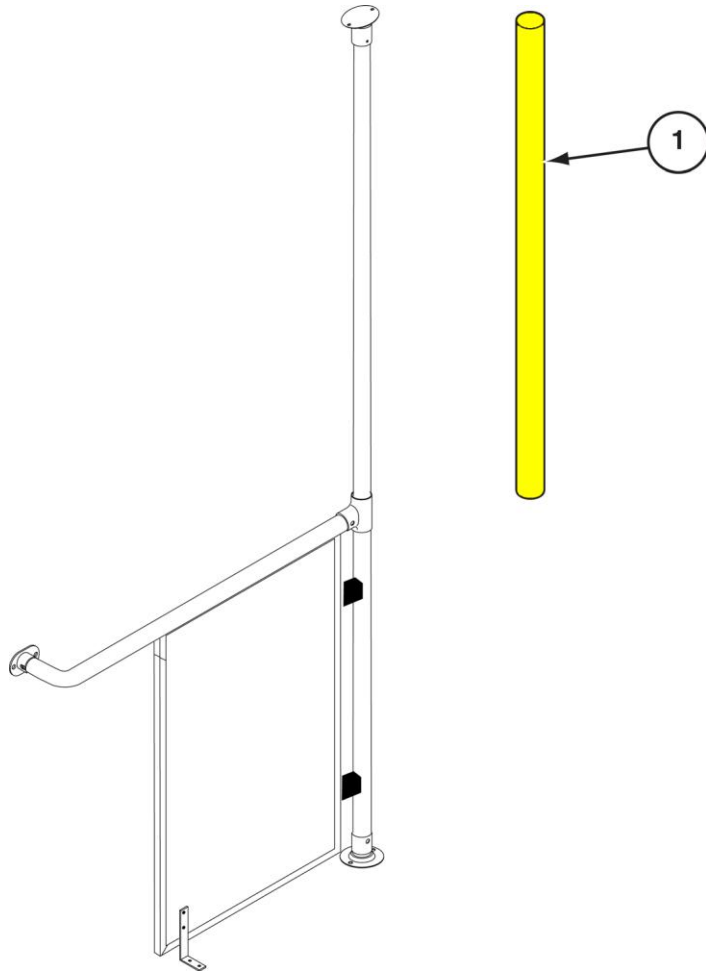
STANCHION PADDING - BLACK
CX-000-900-1913B / CX0000071913

<i>ITEM PARTNO. DESCRIPTION</i>	<i>QTY</i>	<i>ITEM PARTNO. DESCRIPTION</i>	<i>QTY</i>
01 6170246 PAD, STANCHIONBLACK36"	3		



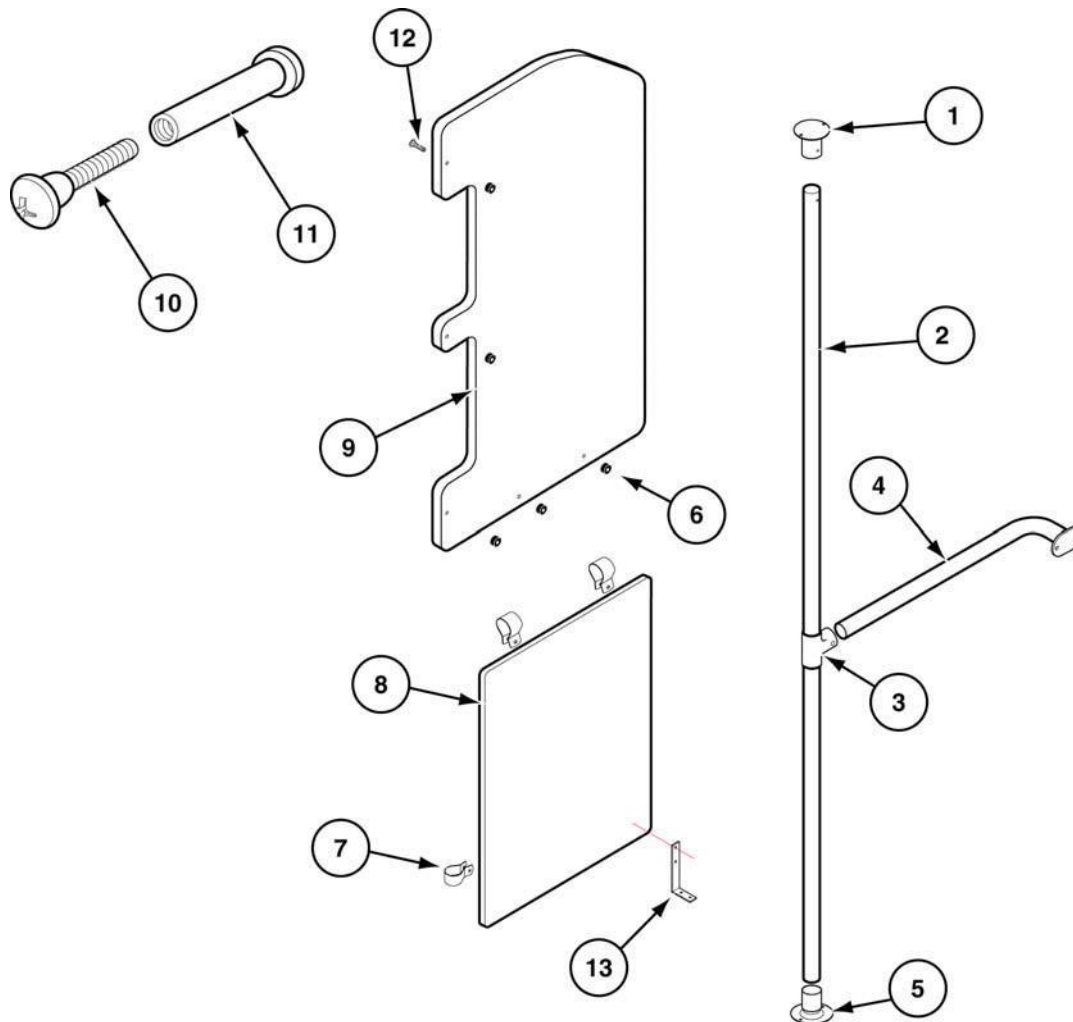
STANCHION PADDING
CX-000-900-1913Y

<i>ITEM</i>	<i>PART NO.</i>	<i>DESCRIPTION</i>	<i>QTY</i>	<i>ITEM</i>	<i>PART NO.</i>	<i>DESCRIPTION</i>	<i>QTY</i>
01	6170105	PAD, STANCHION YELLOW 36"	3				



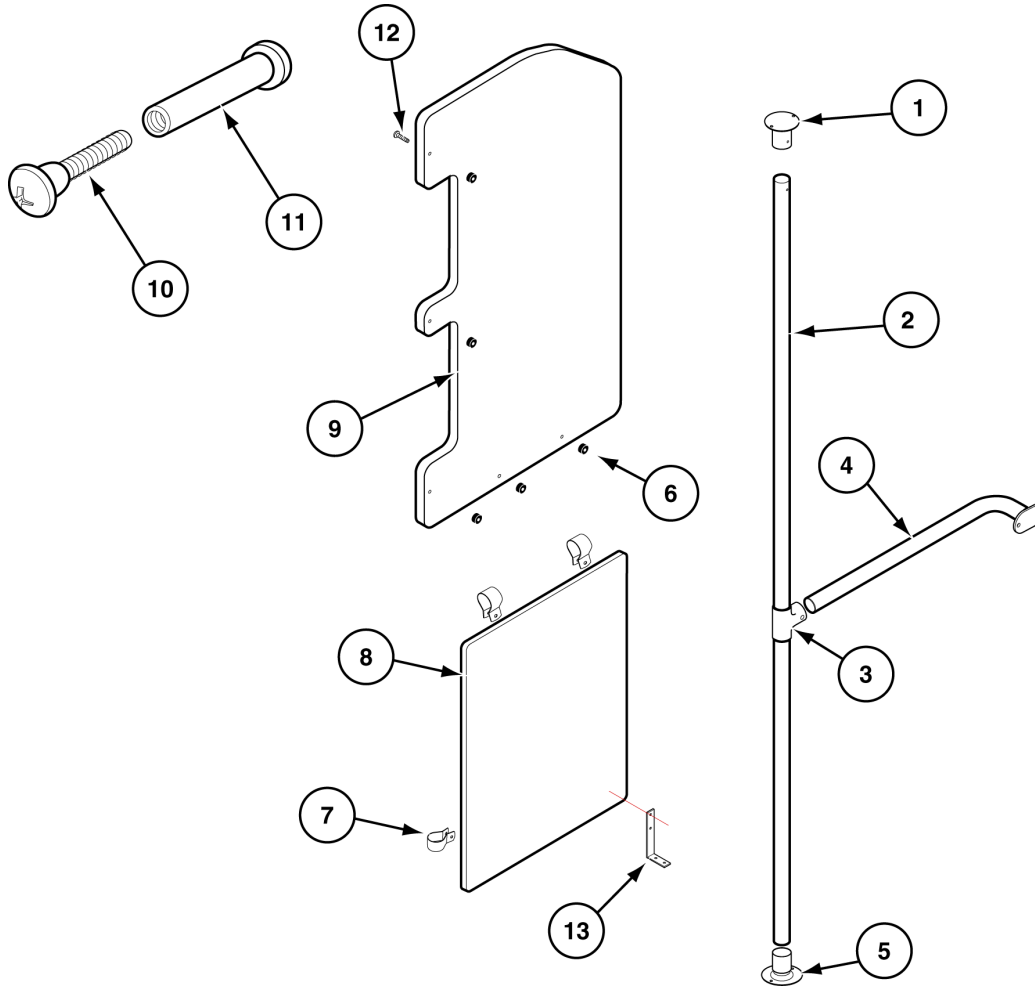
Stanchion padding dELUXE-YELLOW
cX0000051913

<i>ITEM</i>	<i>PART NO.</i>	<i>DESCRIPTION</i>	<i>QTY</i>	<i>ITEM</i>	<i>PART NO.</i>	<i>DESCRIPTION</i>	<i>QTY</i>
01	6170105	PAD, STANCHION YELLOW 36"	3				



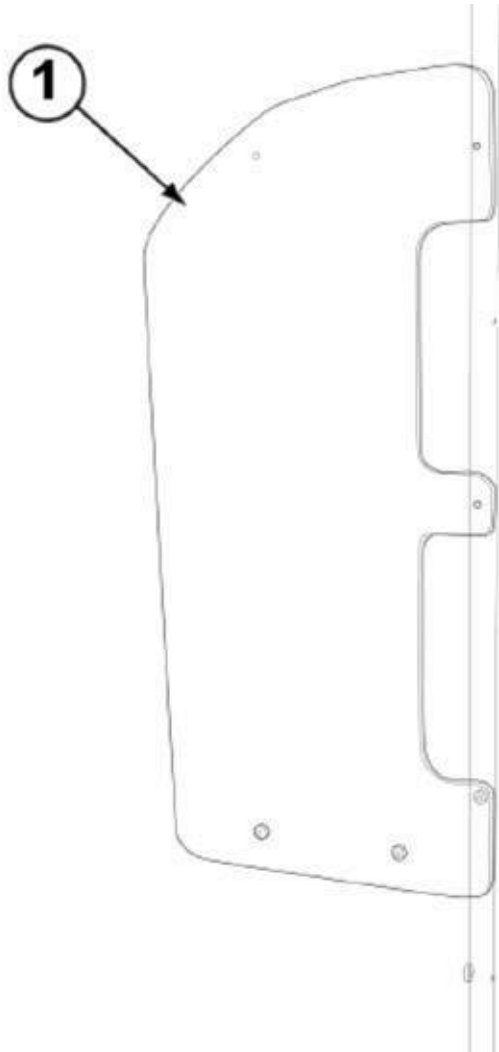
DRIVER'S STANCHION 0409486

<i>ITEM</i>	<i>PARTNO.</i>	<i>DESCRIPTION</i>	<i>QTY</i>	<i>ITEM</i>	<i>PARTNO.</i>	<i>DESCRIPTION</i>	<i>QTY</i>
01	0377112	FITTING, BASEW/RUBBER5° S/S	1	10	0346460	NUT, STANCHION1423FEMALE	2
02	0346486	TUBE(.065x1.25x76S/S) 180GRID	A/R	11	0346478	BOLT, STANCHION1422MALE	2
03	0346379	FITTING, TEES/S#50100	1	13	0377098	BRACKETMODESTYPANEL SUPPORT	1
04	0346494	TUBE(.065x1.25x17' S/S) 180GRID	A/R	14	0376089	FITTING, OVAL BASEFLANGES/S	1
05	0343695	FITTING, BOTTOMS/S#49011	1	N/S	8570996	SCREW, MACHINE (10-32ACORNLOCK) S/S	5
7	0377051	FITTING, MODESTYPANEL MOUNT S/S	3	N/S	8571085	NUT, HEX(10-32ACORNLOCK)	5
8	3371416	PANEL, MODESTY (1/4x19x24ABS) GRAY	1				
9	5970876	PANEL, ACRYLIC (3/8x48x96) GRAY	A/R				



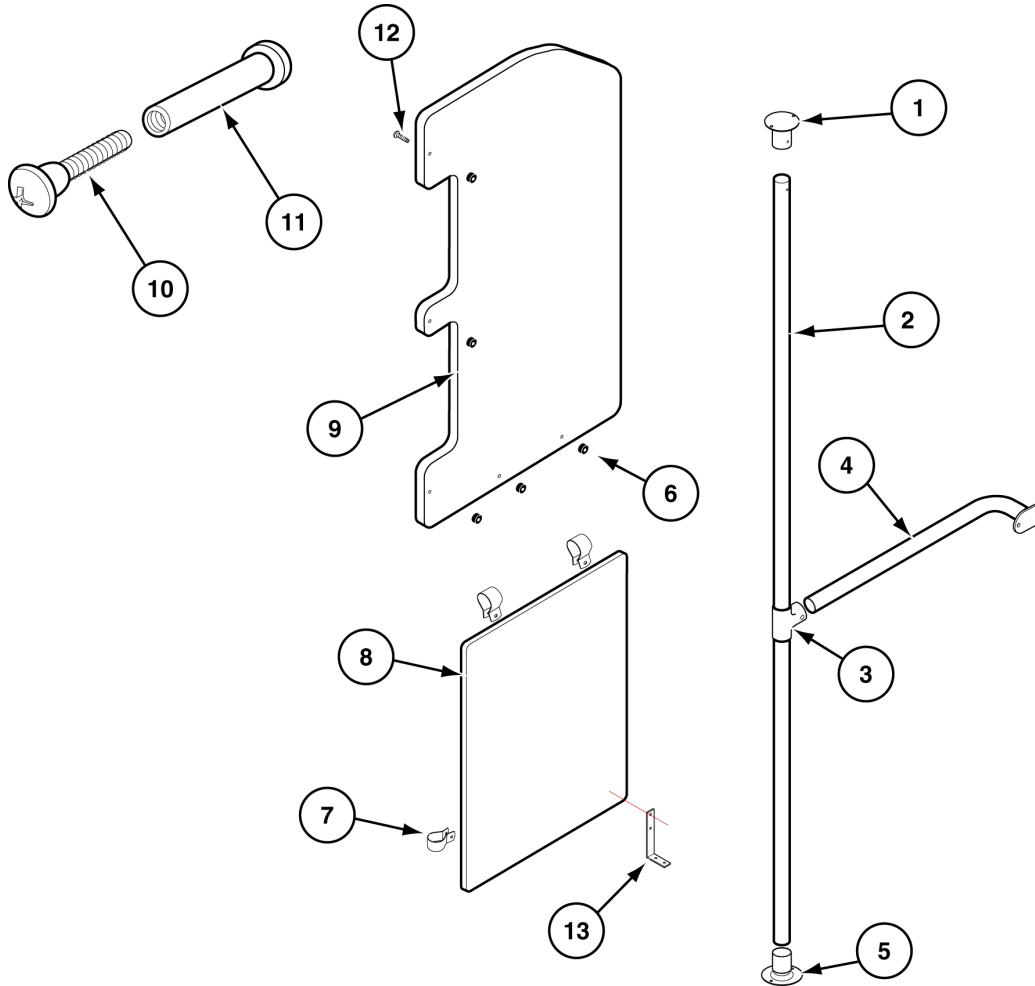
INSTALL DRIVER'S BARRIER & STANCHION CH000070005 (REV-B)

ITEM	PART NO.	DESCRIPTION	QTY	ITEM	PART NO.	DESCRIPTION	QTY
01	0377112	FITTING, BASE W/RUBBER 5° S/S	1	10	0377869	NUT, STANCHION 2423 FEMALE	2
02	0346494	TUBE (.065 x 1.25 x 236" S/S) 180 GRID	A/R	11	0377868	BOLT, STANCHION 2422 MALE	2
03	0346379	FITTING, TEE S/S #50100	1	13	0412639	BRACKET, MODESTY PANEL SUPPORT 2002	1
04	0346494	TUBE (.065 x 1.25 x 17' S/S) 180 GRID	A/R		4540241	BAR, ALUMINUM .125 x 1" x 10'	0.4
05	0343695	FITTING, BOTTOM S/S #49011	1	14	0376089	FITTING, OVAL BASE FLANGE S/S	1
7	0377051	FITTING, MODESTY PANEL MOUNT S/S	3	N/S	8570996	SCREW, MACHINE (10-32 ACORN LOCK) S/S	5
8	3371416	PANEL, MODESTY (1/4 x 19 x 24 ABS) GRAY	1	N/S	8571085	NUT, HEX (10-32 ACORN LOCK)	5
				N/S	4970425	BUMPER, RUBBER DOOR	9
				N/S	8570706	SCREW, 10 X 1½ PAN QUAD ZINC	9
0408674		DRIVER'S BARRIER W/HAND CUT OUT 3/8		N/S	0378648	MOUNT, STANCHION UPPER	1
9	5970876	PANEL, ACRYLIC (3/8 x 48 x 96) GRAY PANEL 20	A/R	N/S	0376030	FITTING, S/S ELBOW W/BASE	2



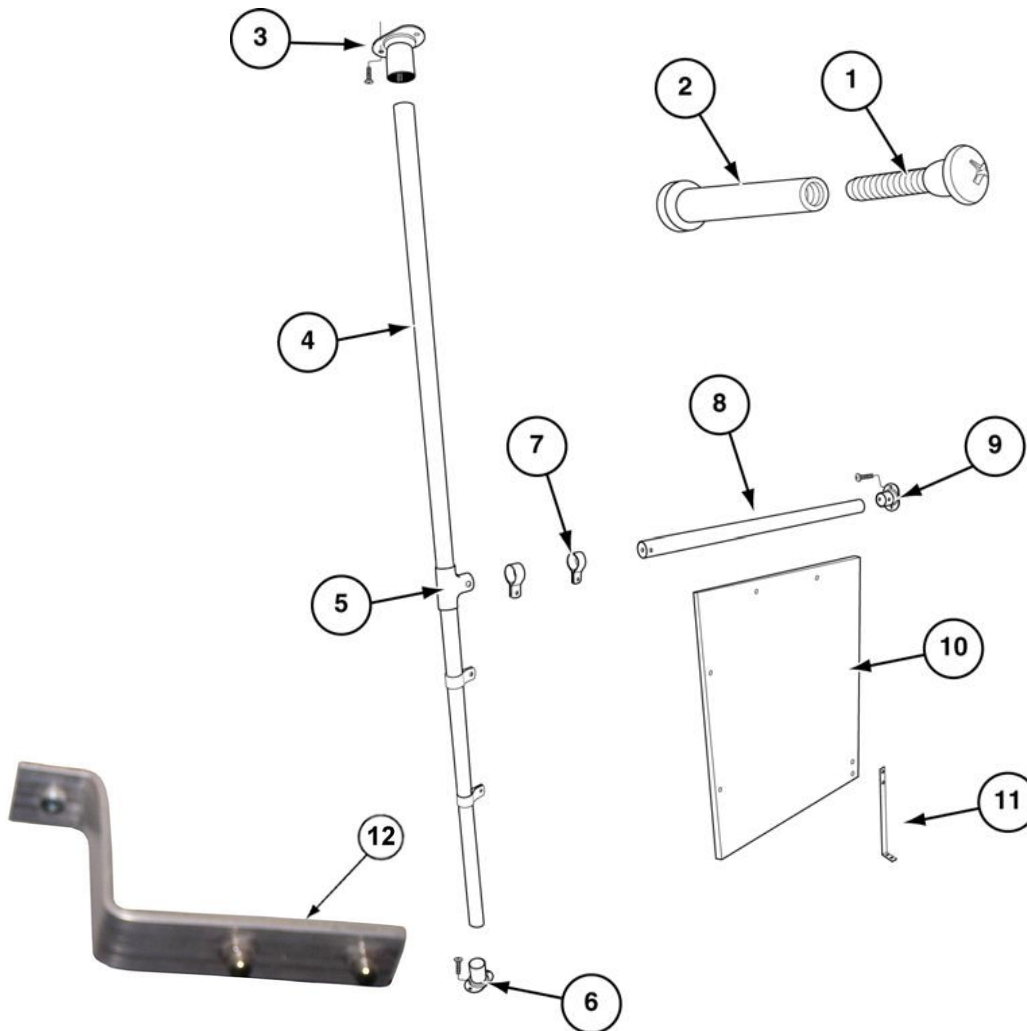
**driver's barrier w/ hand cut out
cx0000070038**

ITEM	PART NO.	DESCRIPTION	QTY	ITEM	PART NO.	DESCRIPTION	QTY
01	5970876	Acrylic, 3/8 x 48 x 96 Gray Panel 20	.30				



DRIVER'S STANCHION & BARRIER ACRYLIC 0410461

ITEM	PART NO.	DESCRIPTION	QTY	ITEM	PART NO.	DESCRIPTION	QTY
01	0377112	FITTING, BASE W/RUBBER 5° S/S	1	10	0377869	NUT, STANCHION 2423 FEMALE	4
02	0346494	TUBE (.065 x 1.25 x 236" S/S) 180 GRID	A/R	11	0377868	BOLT, STANCHION 2422 MALE	4
03	0346379	FITTING, TEE S/S #50100	1	13	0412639	BRACKET, MODESTY PANEL SUPPORT 2002	1
04	0346494	TUBE (.065 x 1.25 x 17' S/S) 180 GRID	A/R		4540241	BAR, ALUMINUM .125 X 1" X 10' BR1540M	AR
05	0343695	FITTING, BOTTOM S/S #49011	1		0377098	BRACKET, MODESTY PANEL SUPPORT FLOOR	1
7	0377051	FITTING, MODESTY PANEL MOUNT S/S	3	14	0376089	FITTING, OVAL BASE FLANGE S/S	1
8	3371416	PANEL, MODESTY (1/4 x 19 x 24 ABS) GRAY	1	N/S	8570996	SCREW, MACHINE (10-32 ACORN LOCK) S/S	5
NS	0376030	FITTING, S/S ELBOW WITH BASE	1	N/S	8571085	NUT, HEX (10-32 ACORN LOCK)	5
0408674 DRIVER'S BARRIER W/HAND CUT OUT 3/8				N/S	4970425	BUMPER, RUBBER DOOR	9
9	5970876	PANEL, ACRYLIC (3/8 x 48 x 96) GRAY PANEL 20	A/R	N/S	8570706	SCREW, 10 X 1 1/2 PAN QUAD ZINC	9
				N/S	0378648	MOUNT, STANCHION UPPER	1



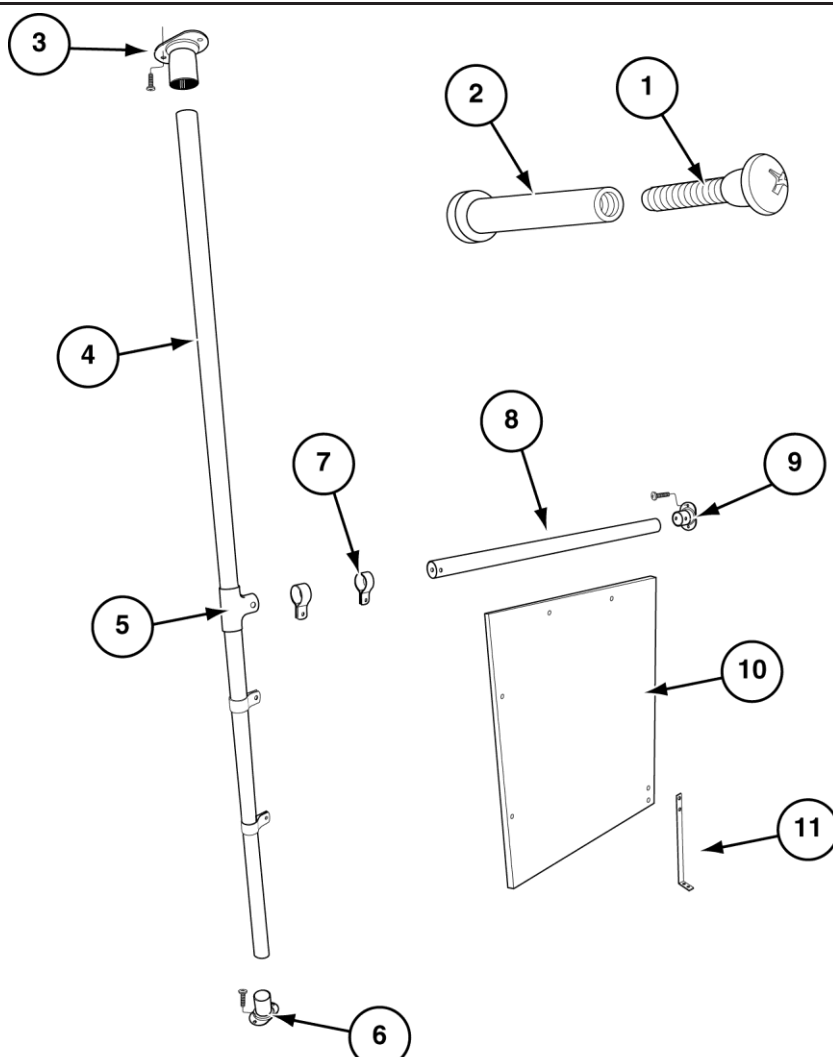
Lift Stanchion with abS 0409484 (REV-b)

<i>ITEM PART NO. DESCRIPTION</i>	<i>QTY</i>	<i>ITEM PART NO. DESCRIPTION</i>	<i>QTY</i>
1 0377868 Bolt, Stanchion 2422 Male	3	NS 8570996 Screw, Machine 10-32 x 1/2	5
2 0377869 Nut, Stanchion 2423 Female	3	NS 8571085 Nut, Hex 10-32 Acorn Lock	5
3 0377112 Fitting, S/S Base 5°	1		
04 0346494 Tube, S/S (1 1/4 x 20)	AR		
05 0346379 Fitting, S/S Tee #50100 One Hole	1		
06 0343695 Fitting, S/S bottom, #49011	1		
07 0377051 Fitting, S/S Modesty Panel Mount	4		
08 0346494 Tube, S/S (1 1/4 x 20)	AR		
9 0376089 Fitting, S/S Oval Base Flange	1		
10 3371416 Panel, Modesty 1/4 x 19 x 24 ABS Gray	1		
11 4540241 Bracket, Modesty Panel Support 2002	1		
12 0379205 Bracket, Aluminum Modesty Panel	1		
NS 3371271 Cover, Front Post Front Lift Door	1		



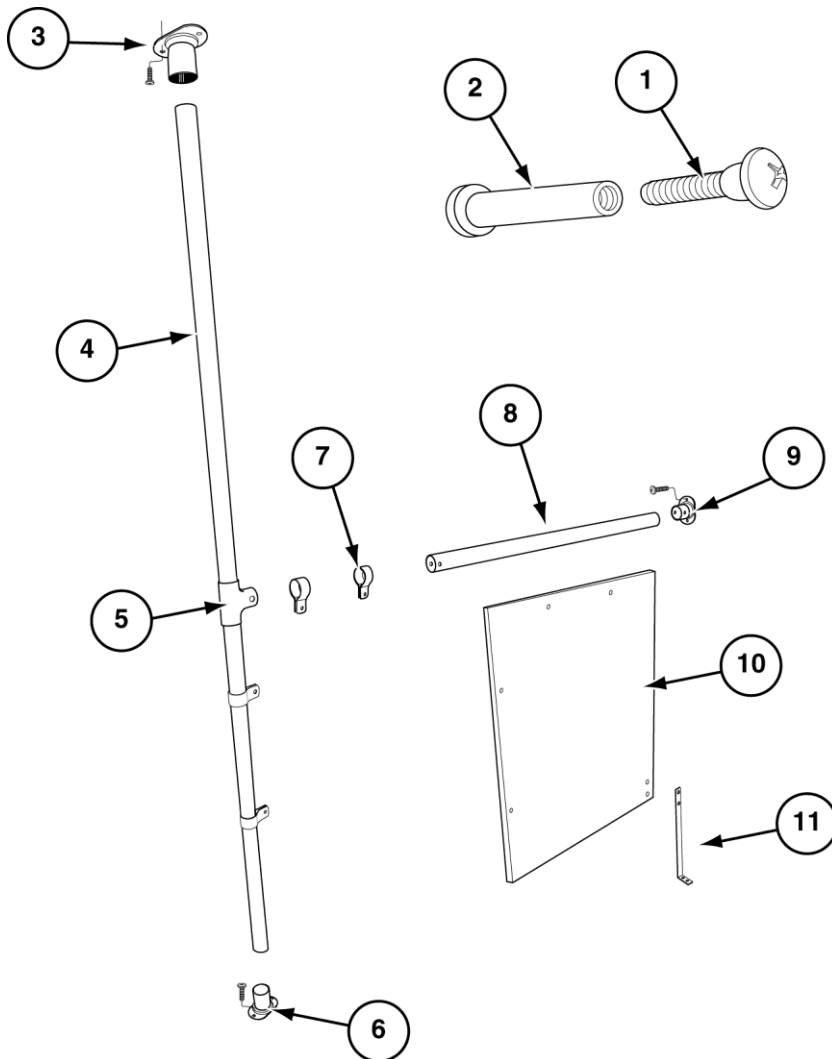
**lift stanchion - padded vinyl
0418641 (Rev-a)**

<i>ITEM PART NO. DESCRIPTION</i>	<i>QTY</i>	<i>ITEM PART NO. DESCRIPTION</i>	<i>QTY</i>
1 7371128 Vinyl, Harbor Moonlite 54" x 30YD	.2	NS 4970425 Bumper, Rubber Door	9
6170106 Pad, Foam 3/16" x 54" x 50LY	.6	NS 0377868 Bolt, Stanchion Locking 2422 Male	6
0970003 Plywood, 3/8 x 48 x 96 W CP 4-Ply	.7	NS 0377869 Nut, Stanchion Locking 2423 Female	6
0970014 Lauan, Raw 3.6MM x 48 x 96	.7	NS 8570996 Screw, Machine 10-32 x 1/2 Phil Pan	2
2 0343695 Fitting, S/S Bottom	3	NS 8571085 Nut, Hex 10-32 Acorn Lock S/S	2
03 8570766 Screw, 8 x 2-1/2 Rnd WA HD Quad 2/3	9		
4 0346379 Fitting, S/S Tee One Hole	1		
5 0379205 Bracket, Aluminum Modesty Panel	1		
0343152 Channel, 5/8 x 96.0 Aluminum Mill	2		
6 0346379 Fitting, S/S Tee One Hole	1		
07 0346494 Tube, 18GA x 1.25 x 36" S/S 180GR	.5		
08 0377112 Fitting, S/S Base 5 Degree	1		



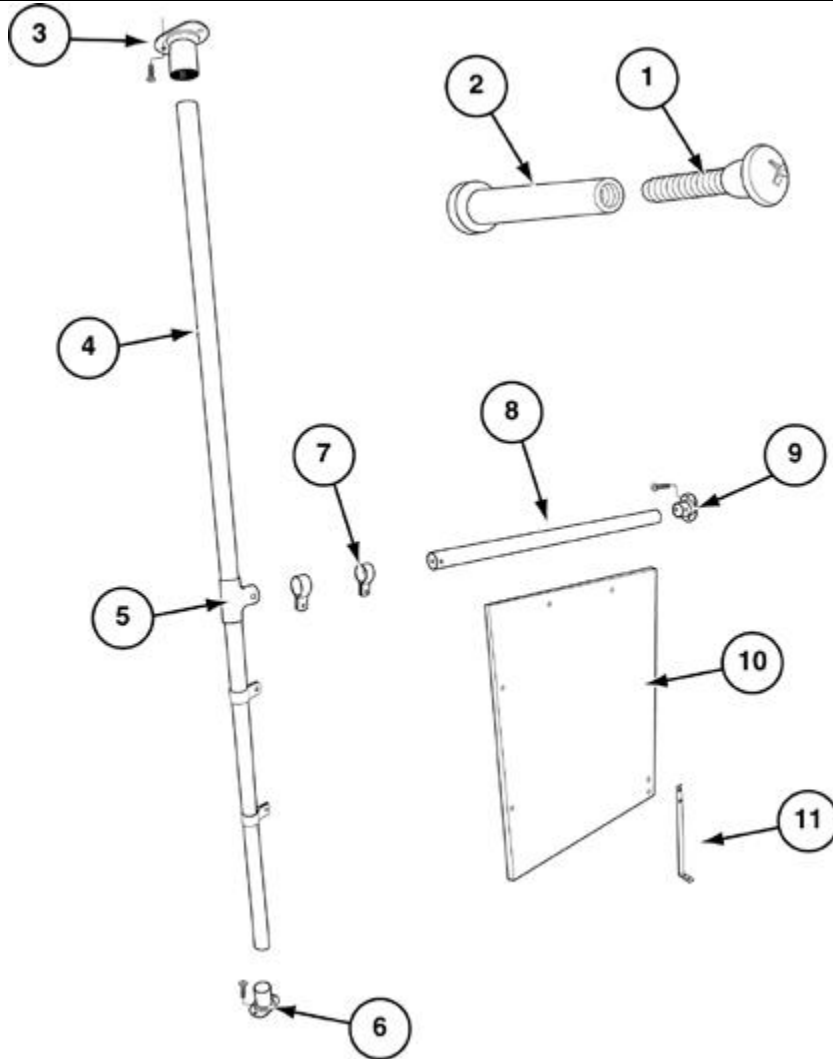
ENTRY DOOR STANCHION W/ ABS REINFORCEMENT
0416663 REV-A, 0412639

ITEM	PART NO.	DESCRIPTION	QTY	ITEM	PART NO.	DESCRIPTION	QTY
0416663 STANCHION, ENTRY DOOR W/ABS				0412639 BRACKET, MODESTY PANEL SUPPORT			
N/S	8571085	NUT, HEX 10-32 ACORN LOCK S/S	5	11	4540241	BAR, ALUMINUM .125 X 1" X 10'	AR
1	0377868	BOLT, STANCHION LOCKING 1422 MALE	5				
2	0377869	NUT, STANCHION LOCKING 1423 FEMALE	5				
3	0377112	FITTING, S/S BASE 5 DEGREE W/RUBBER	1				
4	0346494	TUBE, .065 x 1.25 x 236" S/S/180 GRID	1				
5	0346379	FITTING, S/S TEE #50100 ONE HOLE	2				
6	0343695	FITTING, S/S BOTTOM 49011	2				
7	0377051	FITTING, S/S MODESTY PANEL MOUNT	3				
8	0346494	TUBE, .065 X 1.25 X 17' S/S 180GRID	A/R				
9	0376089	FITTING, S/S OVAL BASE FLANGE	1				
10	3371415	PANEL, MODESTY 1/4 x 13 x 24 ABS GRAY	1				
N/S	8570996	SCREW, MACHINE 10-32 x 1/2 PHIL PAN ZINC	5				



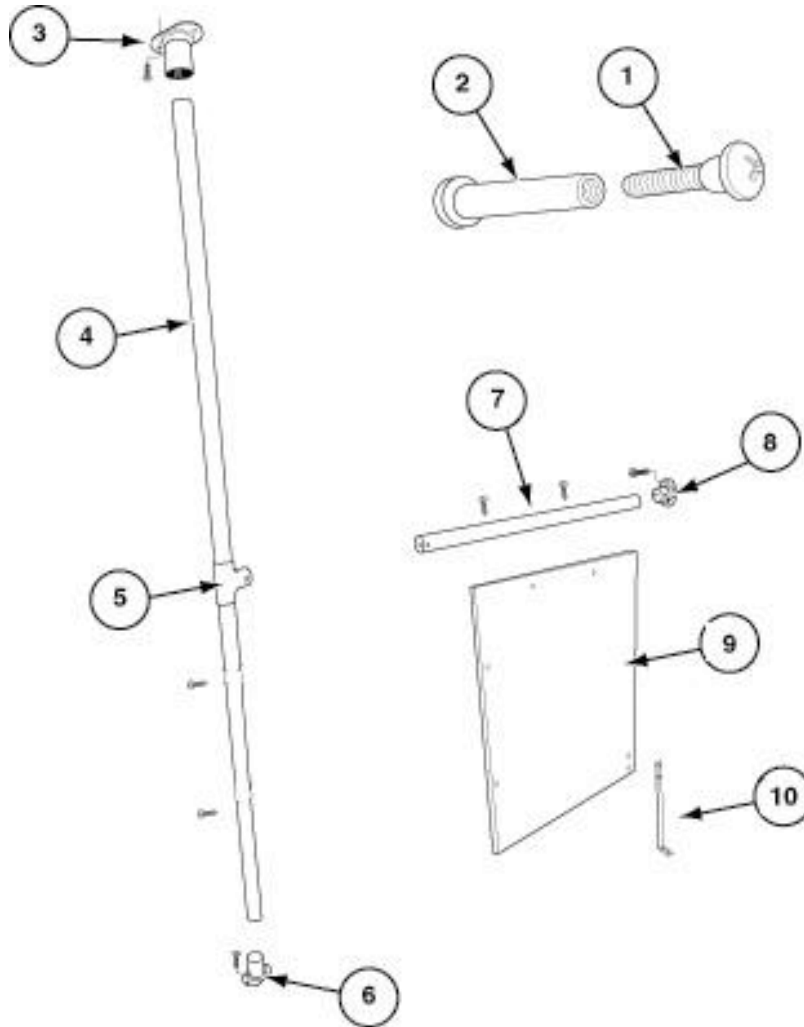
ENTRY DOOR STANCHION REV-A
0414335

<i>ITEM</i>	<i>PART NO.</i>	<i>DESCRIPTION</i>	<i>QTY</i>	<i>ITEM</i>	<i>PART NO.</i>	<i>DESCRIPTION</i>	<i>QTY</i>
1	0377868	BOLT, STANCHION 1422 MALE	5	08	0346494	TUBE, 17" S/S 180GRID	A/R
2	0377869	NUT, STANCHION 1423 FEMALE	5	09	0376089	FITTING, S/S OVAL BASE FLANGE	1
03	0377112	FITTING, S/S BASE 5 DEGREE H2016-44300	1	10	3371656	PANEL, MODESTY 1/4 x 14.88 x 30	1
04	0346494	TUBE, .065 x 1.25 x 236" S/S/180 GRID	A/R	11	0412639	BRACKET, MODESTY PANEL SUPPORT	1
05	0346379	FITTING, S/S TEE #50100 ONE HOLE	2	11	4540241	BAR. ALUMINUM .125 x 1" x 10' BR1540M	A/R
06	0343695	FITTING, S/S BOTTOM 49011	2	N/S	0376030	FITTING, S/S ELBOW W/BASE	1
07	0377051	FITTING, S/S MODESTY PANEL MOUNT	3	N/S	8570996	SCREW, MACHINE 10-32 x 1/2 PHIL PAN ZINC	5
				N/S	8571085	NUT, HEX 10-32 ACORN LOCK S/S	5



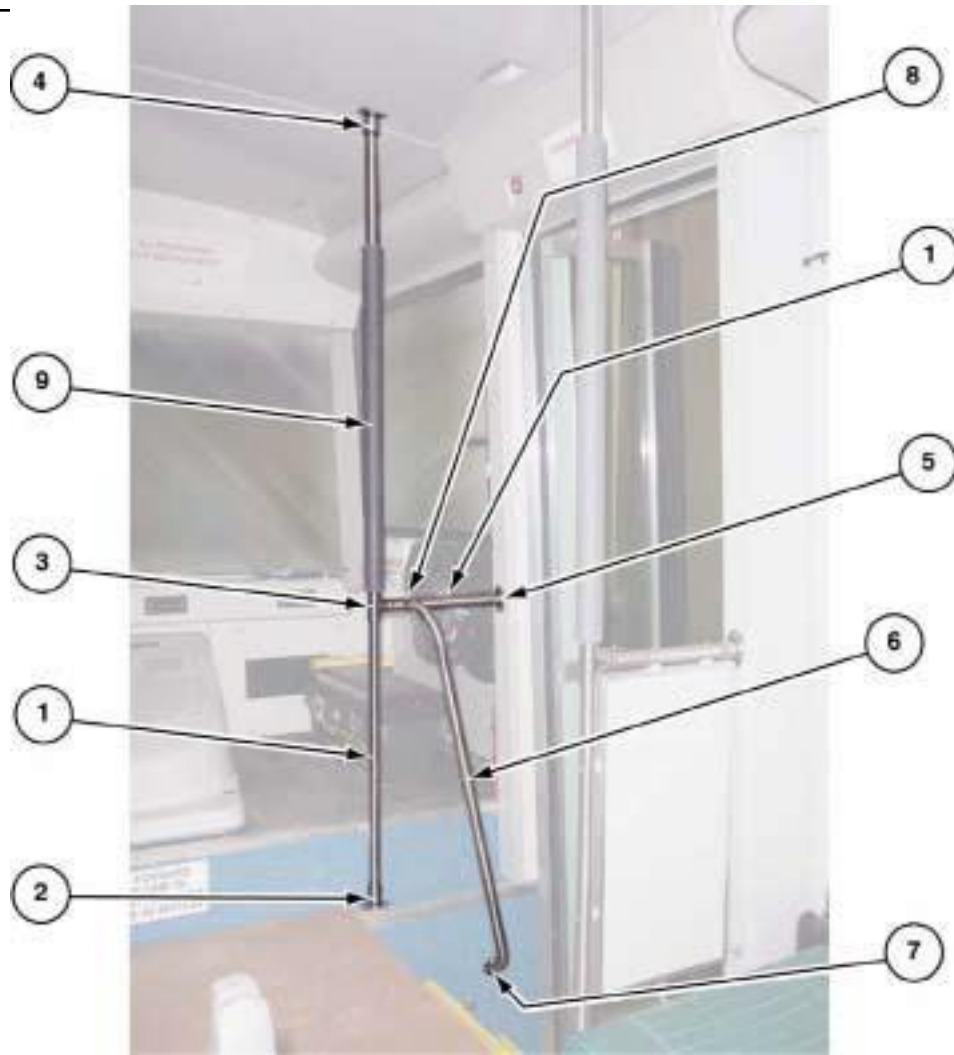
ENTRY DOOR STANCHION
0419318 (REV-C) / 0412639

<i>ITEM</i>	<i>PART NO.</i>	<i>DESCRIPTION</i>	<i>QTY</i>	<i>ITEM</i>	<i>PART NO.</i>	<i>DESCRIPTION</i>	<i>QTY</i>
1	0377868	Bolt, Stanchion 1422 MALE	5	9	0376030	Fitting, S/S Elbow W/Base	1
2	0377869	Nut, Stanchion 1423 FEMALE	5	10	3371416	Panel, Modesty 1/4 x 19 x 24 ABS Gray	1
3	0377112	Fitting, S/S Base 5 Degree W/Rubber	1	11	0379205	Bracket, Modesty Panel Support, Floor	1
04	0346494	Tube, .065 x 1.25 x 236" S/S/180 GRID	A/R	N/S	8570996	Screw, Machine 10-32 x 1/2 Phil Pan Zinc	5
05	0346379	Fitting, S/S TEE #50100 One Hole	2	N/S	8571085	Nut, Hex 10-32 Acorn Lock S/S	5
06	0343695	Fitting, S/S Bottom 49011	2			0412639 Bracket, Modesty Panel Support 2002	1
07	0377051	Fitting, S/S Modesty Panel Mount	3	N/S	4540241	Bar, Aluminum .125 x 1" x 10'	.4
08	0346494	Tube, 17' S/S 180GRID	A/R				



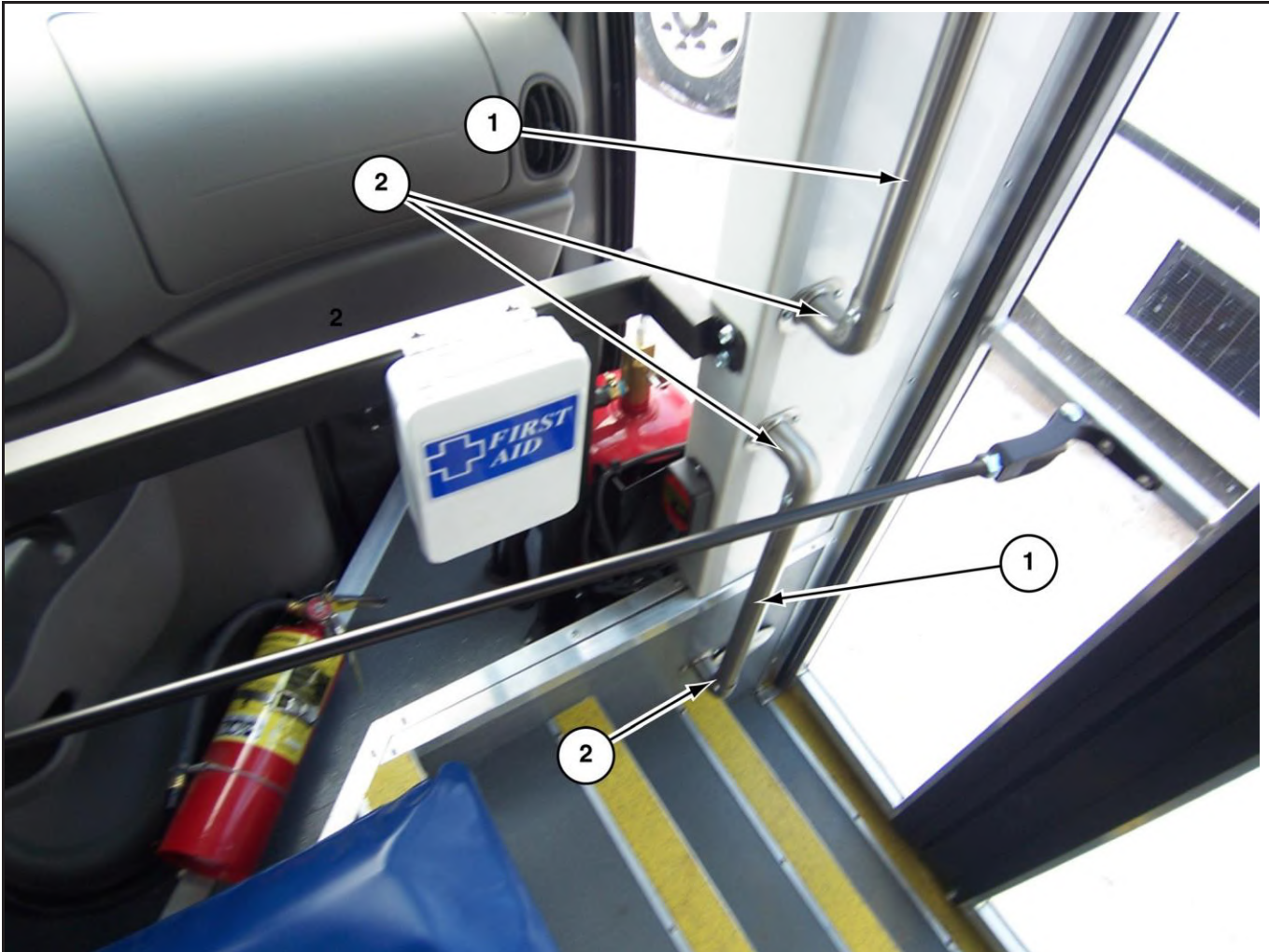
Stanchion, extra w/ modeSty panel CX0000072947

<i>ITEM PART NO. DESCRIPTION</i>	<i>QTY</i>	<i>ITEM PART NO. DESCRIPTION</i>	<i>QTY</i>
1 0377868 Bolt, Stanchion Locking 2422 Male	5		
2 0377869 Nut, Stanchion Locking 2423 Female	5		
3 0377112 Fitting, S/S Base 5 Degree	1		
04 0346494 Tube, .065 x 1.25	A/R		
05 0346379 Fitting, S/S Tee #50100	2		
06 0343695 Fitting, S/S Bottom	2		
07 0346494 Tube, .065 x 1.25	A/R		
8 0376089 Fitting, S/S Oval Base Flange	1		
9 0402664 Panel, Modesty 24 x 24.25 Padded	1		
10 0377098 Bracket, Modesty Panel Support	1		
NS 4540241 Bracket, Modesty Panel Supp Flr	1		



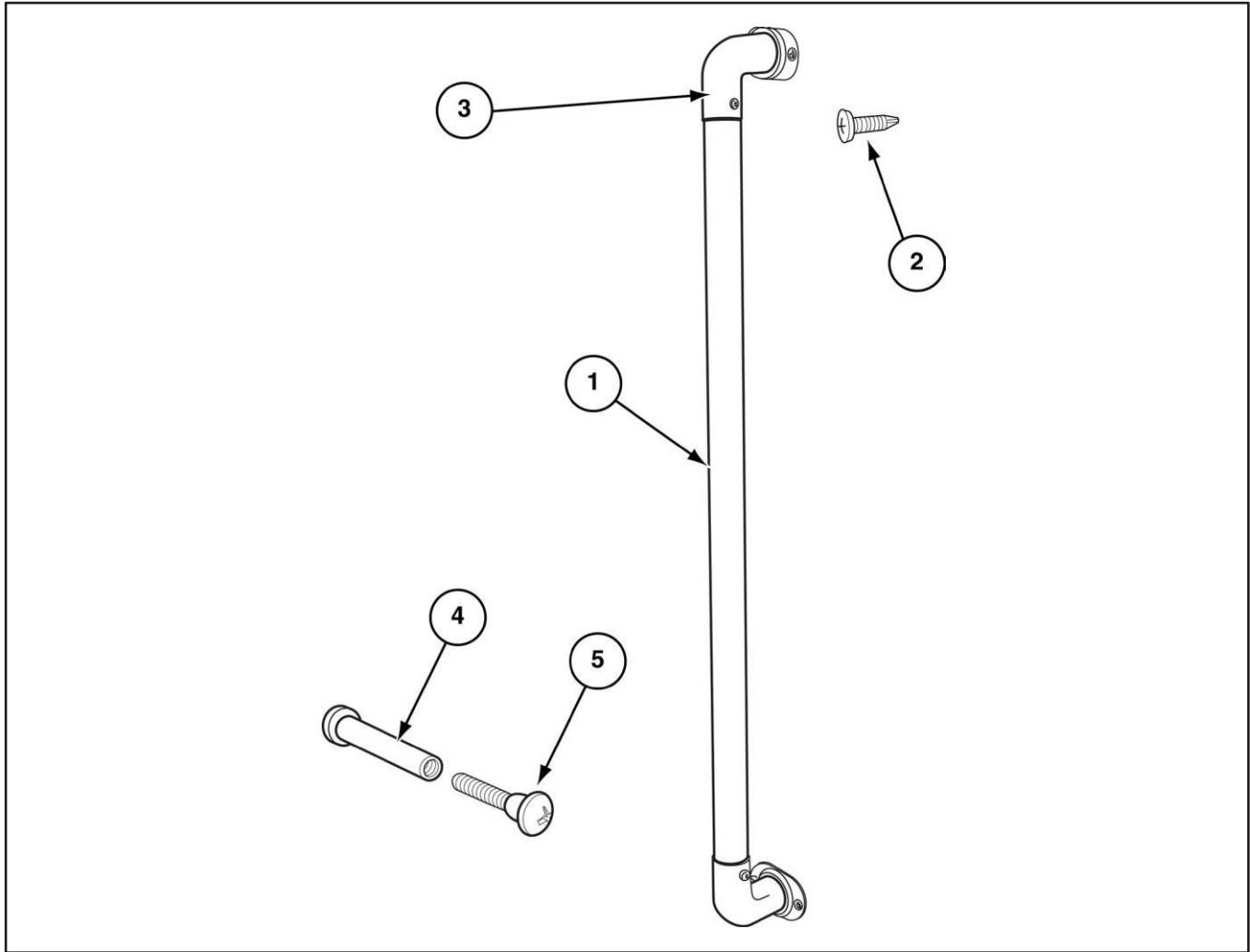
extra stanchion
cx0000071932 / 0403612 / ch-000-900-1932

<i>ITEMPART NO.</i>	<i>DESCRIPTION</i>	<i>REF</i>	<i>ITEMPART NO.</i>	<i>DESCRIPTION</i>	<i>REF</i>
00	0403612 INSTALL EXTRA STANCHION	REF	<u>0406087</u>	<u>INSTALL, GRAB RAIL HORIZONTAL MOUNT</u>	<u>1</u>
01	0346486 TUBE (.065 x 1.25 x 74' S/S)	1	08	0346379 FITTING, S/S TEE #50100	4
02	0343695 FITTING, S/S BOTTOM	1	06	0346494 TUBE, .065 x 1.25 x 17' S/S	A/R
03	0346379 FITTING, S/S TEE #50100	1	N/S	8570706 SCREW, 10 x 1-1/2 PAN QUAD	4
4	0377112 FITTING, S/S BASE 5° W/RUBBER	1	<u>CX-000-900-1913 STANCHION PADDING - DELUXE (GRAY)</u>		
5	0376089 FITTING, S/S OVAL BASE FLANGE	1	<u>4</u>		
N/S	8570779 SCREW (10 x 1 PAN HEAD S/S)	2			
N/S	8570706 SCREW (10 x 1-1/2 PAN QUAD ZINC)	4			
N/S	0346460 NUT, STANCHION 1423 FEMALE	2			
N/S	0346478 BOLT, STANCHION 1422 MALE	2			



RIGHT HAND GRAB RAIL 0402453A

<i>ITEM PART NO. DESCRIPTION</i>	<i>QTY</i>	<i>ITEM PART NO. DESCRIPTION</i>	<i>QTY</i>
01 0346494 TUBE (.065 x 1.25 x 17')	A/R		
02 0376089 FITTING, S/S OVAL BASE FLANGE	3		
N/S 0343695 FITTING, S/S BOTTOM 49011	1		
N/S 0646379 FITTING, S/S STEE #50100 ONE HOLE	2		
N/S 8570943 SCREW (8 x 3/4) PANQUAD	8		
N/S 0377869 NUT, STANCHION	6		
N/S 0377868 BOLT, STANCHION	6		



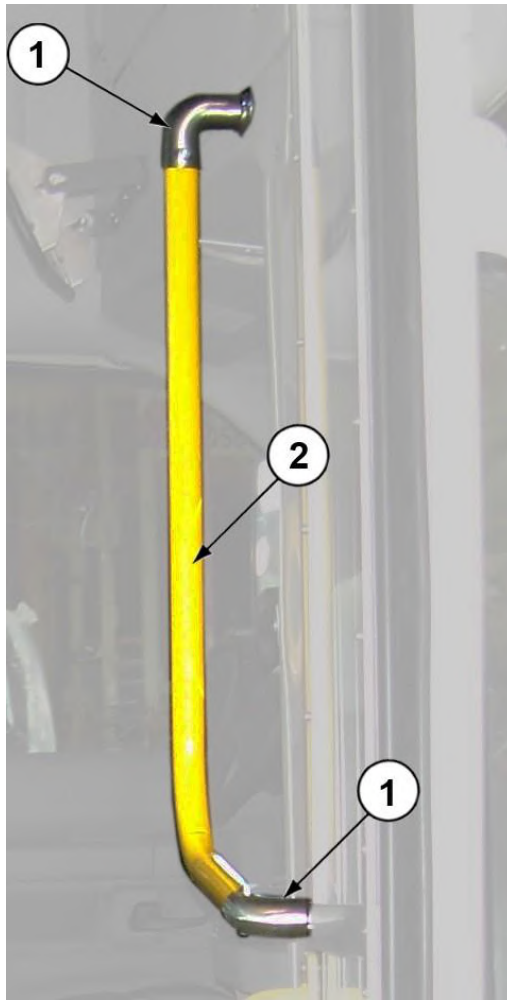
GRAB RAIL ENTRANCE DOOR 102 DEGREE 0415480

<i>ITEM PART NO. DESCRIPTION</i>	<i>QTY</i>	<i>ITEM PART NO. DESCRIPTION</i>	<i>QTY</i>
01 0346494 TUBE, .065 x 1.25 x 17' S/S CLAD	A/R		
2 8570943 SCREW, 8 x 3/4 PAN QUAD T2 EMPG CLR	A/R		
3 0376030 FITTING, S/S ELBOW W/BASE	2		
4 0377868 BOLT, STANCHION LOCKING 2422 MALE	2		
5 0377869 NUT, STANCHION LOCKING 2423 FEMALE	2		



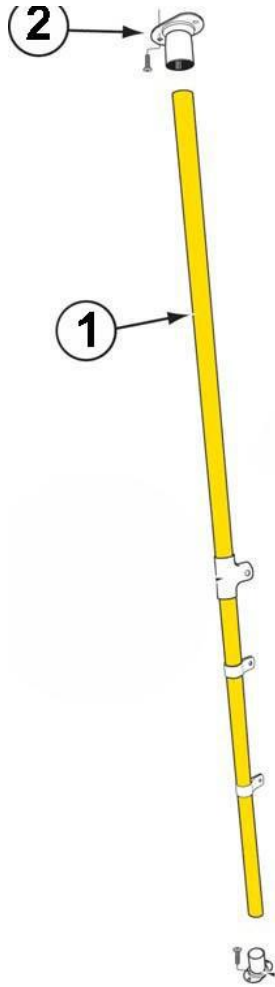
Entry door grab rails-yellow dimpled 0418231

<i>ITEM PART NO. DESCRIPTION</i>	<i>QTY</i>	<i>ITEM PART NO. DESCRIPTION</i>	<i>QTY</i>
01 0377752 Tube, Stanchion 1-1/4" Dimpled Yellow	AR		
NS 0346379 Fitting, S/S Tee One Hole #50100	1		
NS 0376030 Fitting, S/S Elbow W/Base	5		
NS 0347260 Fitting, S/S Elbow #19000	1		
NS 0377868 Bolt, Stanchion Locking 2422 Male	12		
NS 0377869 Nut, Stanchion Locking 2423 Female	12		



**grab handle 102 degree - yellow
0418807**

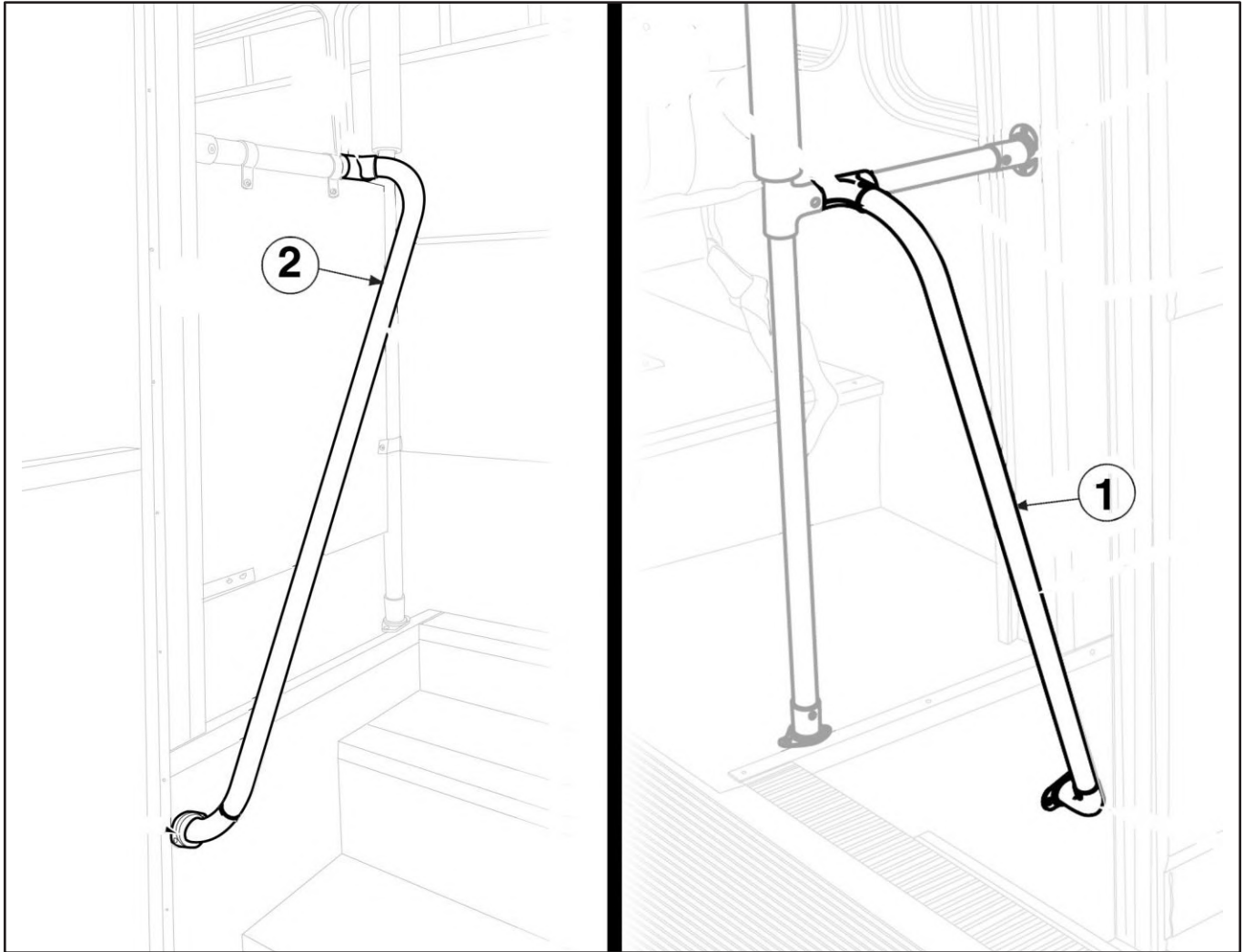
<i>ITEM PART NO.</i>	<i>DESCRIPTION</i>	<i>QTY</i>	<i>ITEM PART NO.</i>	<i>DESCRIPTION</i>	<i>QTY</i>
01	0376030 FITTING, S/S ELBOW With BASE	2			
02	0377997 TUBE, 18GA x 1.25" x 36.00 304 S/S YELLOW PC	AR			
NS	0377869 NUT, STANCHION LOCKING 2423 FEMALE	2			
NS	0377868 BOLT, STANCHION LOCKING 2422 MALE	2			



Grab rail Entry Door - yElow

0415761

<i>ITEM PART NO. DESCRIPTION</i>	<i>QTY</i>	<i>ITEM PART NO. DESCRIPTION</i>	<i>QTY</i>
01 0377997 Tube, 18GA x 1¼ x 236" 304 SS YELA/R			
02 0348235 Fitting, SS Bottom Oval 90°	2		
NS 0377868 Bolt, Stanchion Locking 2422 Male	2		
NS 0377869 Nut, Stanchion Locking 2423 Female	2		



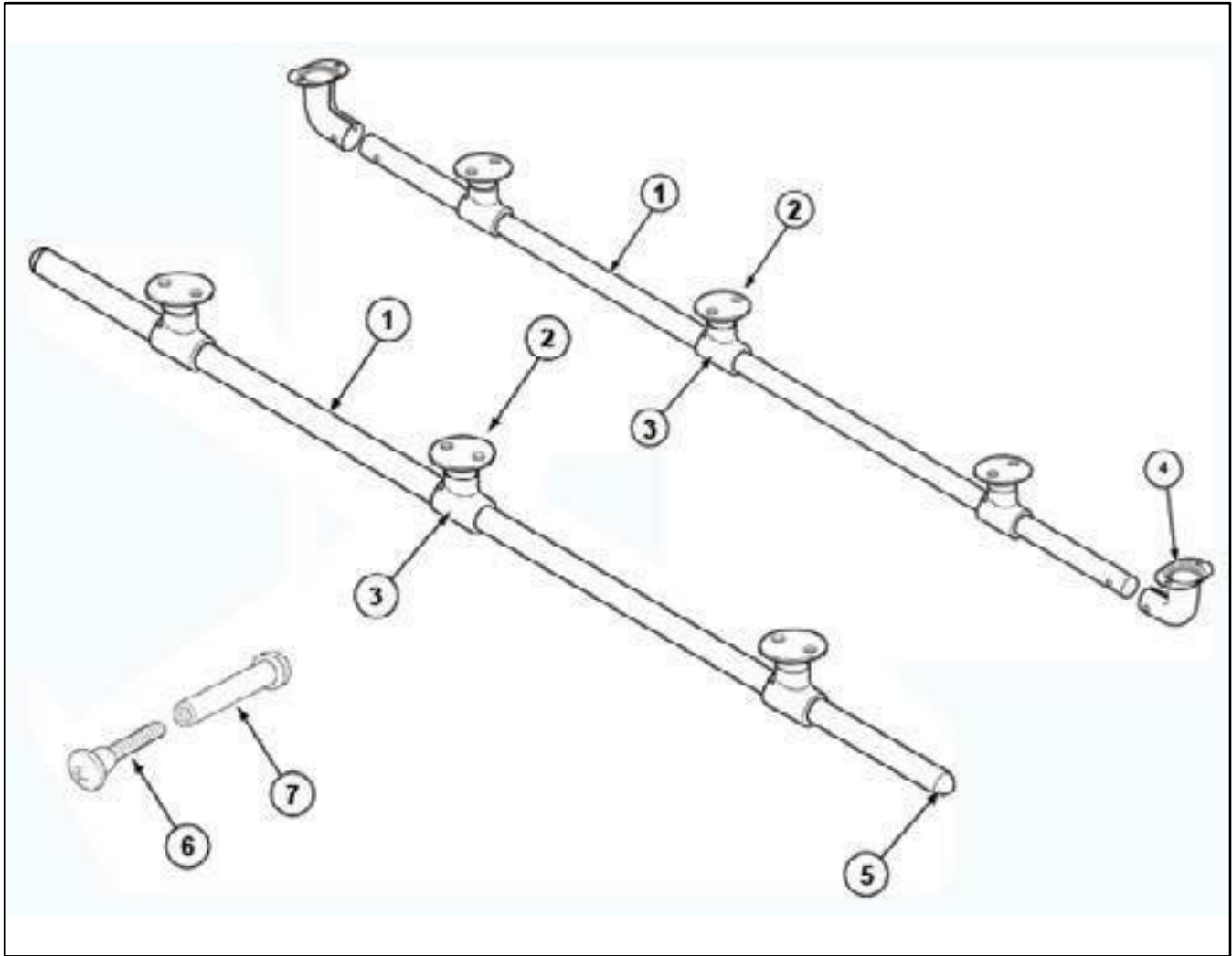
**GRAB RAIL R/H & L/H ENTRY - PACE
0416011**

<i>ITEM PART NO. DESCRIPTION</i>	<i>QTY</i>	<i>ITEM PART NO. DESCRIPTION</i>	<i>QTY</i>
1 0378364 Grabrail, RH Entry Pace AC 21	1		
0346494 Fitting, Bottom S/S	2		
0343695 Fitting, S/S Elbow W/Base	1		
0346379 Fitting, Tee S/S	3		
0346494 Tube, .065 x 1.25 x 57" Stainless	1		
2 0378609 Grabrail, LH Entry Pace AC 21	1		



LUGGAGE COMPARTMENT GRAB RAIL
AB-000-900-1825

<i>ITEM PART NO. DESCRIPTION</i>	<i>QTY</i>	<i>ITEM PART NO. DESCRIPTION</i>	<i>QTY</i>
01 5370575 HANDLE, GRABRAIL PRIMA	1		



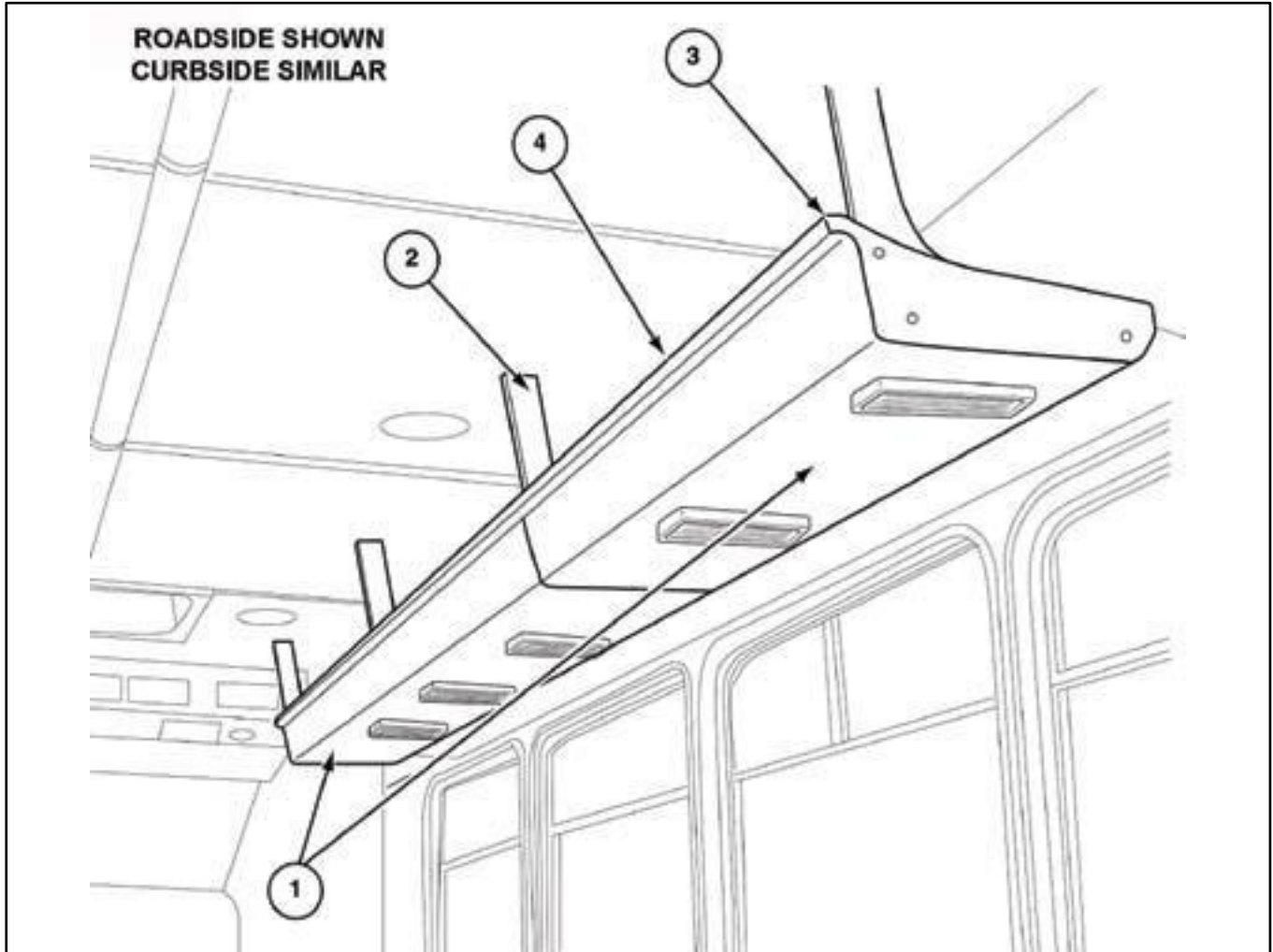
roof hand rails 1826 / 71826 (rEV-9/23/13)

<i>ITEM</i>	<i>PART NO.</i>	<i>DESCRIPTION</i>	<i>QTY</i>	<i>ITEM</i>	<i>PART NO.</i>	<i>DESCRIPTION</i>	<i>QTY</i>
01	0346494	TUBE (.065 x 1.25 x 17' SS) 180 GRID	AR	NOTE: Includes all assemblies ending in (-1826) and (71826). ALSO INCLUDES THESE ASSEMBLIES: 0421678			
02	0346395	FITTING, S/S Ceiling Mount 21511	AR				
03	0346379	FITTING, TEE S/S #50100	AR				
04	0376030	FITTING, S/S ELBOW W/BASE	AR				
05	3371684	CAP, END 1.25" TUBE BLACK	AR				
06	0346478	BOLT, STANCHION 1422 MALE	AR				
07	0346480	NUT, STANCHION 1423 FEMALE	AR				
N/S	8570943	SCREW (8 x 3/4 PAN QUAD T2 CLR EMP	AR				



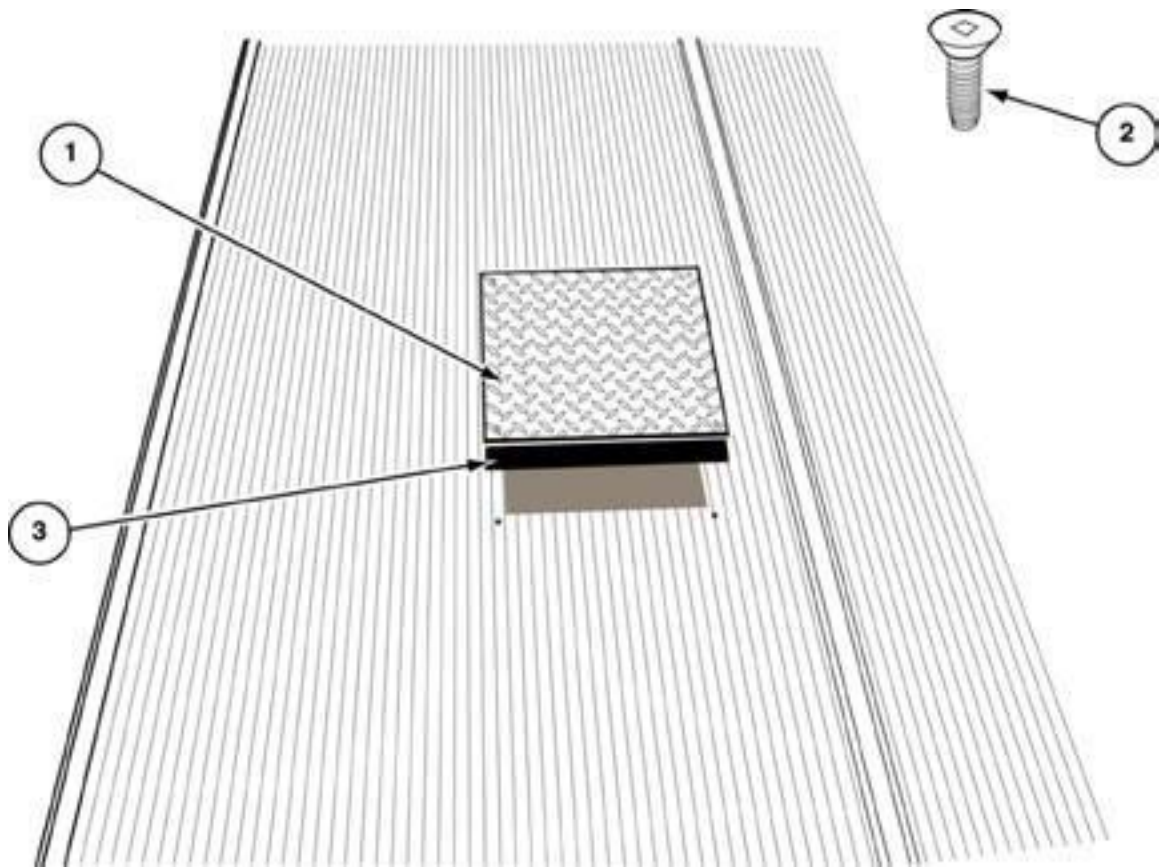
OVERHEAD PARCEL RACK-FLOCKED, F550 ALL ASSEMBLIES

ITEM	PART NO.	DESCRIPTION	QTY	ITEM	PART NO.	DESCRIPTION	QTY
1	0408450A	Install Rack Overhead Lugg Roadside (4') NOTE: Parcel Rack part numbers & flocking same as listed below in the Curbside Assembly		05	0409199	Brackets, Roadside & Curbside	
				04	0374610	Bracket, ABS Overhead Lug L/H	AR
					0374485	Bracket, ABS Overhead Lug R/H	AR
					0376964	Bracket, Parcel Rack Support L/H	AR
					0376965	Bracket, Parcel Rack Support R/H	AR
2	0407764A	Install, Rack Overhead Lugg- Curbside (4')		04	0374485P	Bracket, ABS Overhead Lug Gray PW	AR
	0407765A	Install, Rack Overhead Lugg - Curbside (3')		NS	1570211	Carpet, Aqua Turf Gray Metallic #585	1
	3371211	Rack, Parcel Overhead 4'	3	NS	4570144	Cap, End "J" .19 1/4" x 16"	2
	3371210	Rack, Parcel Overhead 3'	1	NS	8970402	Trim, Grip W/Out Bulb 3/8" x 5/8"	1.5
	3371209	Rack, Parcel Overhead 2'	1	03	4570096	Extrusion, Luggage Rack 241.0	2
	9770074	Rack, Parcel Flocked 4'	1	NS	3972921	Harness, Parcel Rack Lights	1
	9770073	Rack, Parcel Flocked 3'	1	NS	3371220	Cap, Overhead Parcel Rack	4
	9770072	Rack, Parcel Flocked 2'	1	NS	0342428	Steel, Flat 14/16GA x 6 x 96.0	5
NS	0408810	Light Without Switch		NS	0350769	Channel, STR 3/4 x 1.5 x 3/4 x 89 3/4 16 GA	AR
	3943917	Light, Dome Without Switch	5	N/S	0408959	Light, Double Bullet	
	3973881	Switch, Carling, On/Off	1		3971720	Light, Double Aircraft with Camlocks	1
	3970183	Terminal, QKDisc/FemNon-Ins 16-14	4		3971730	Terminal, Pin Tape Mounted	2
	3947066	Connector, RT 10-4848	1				



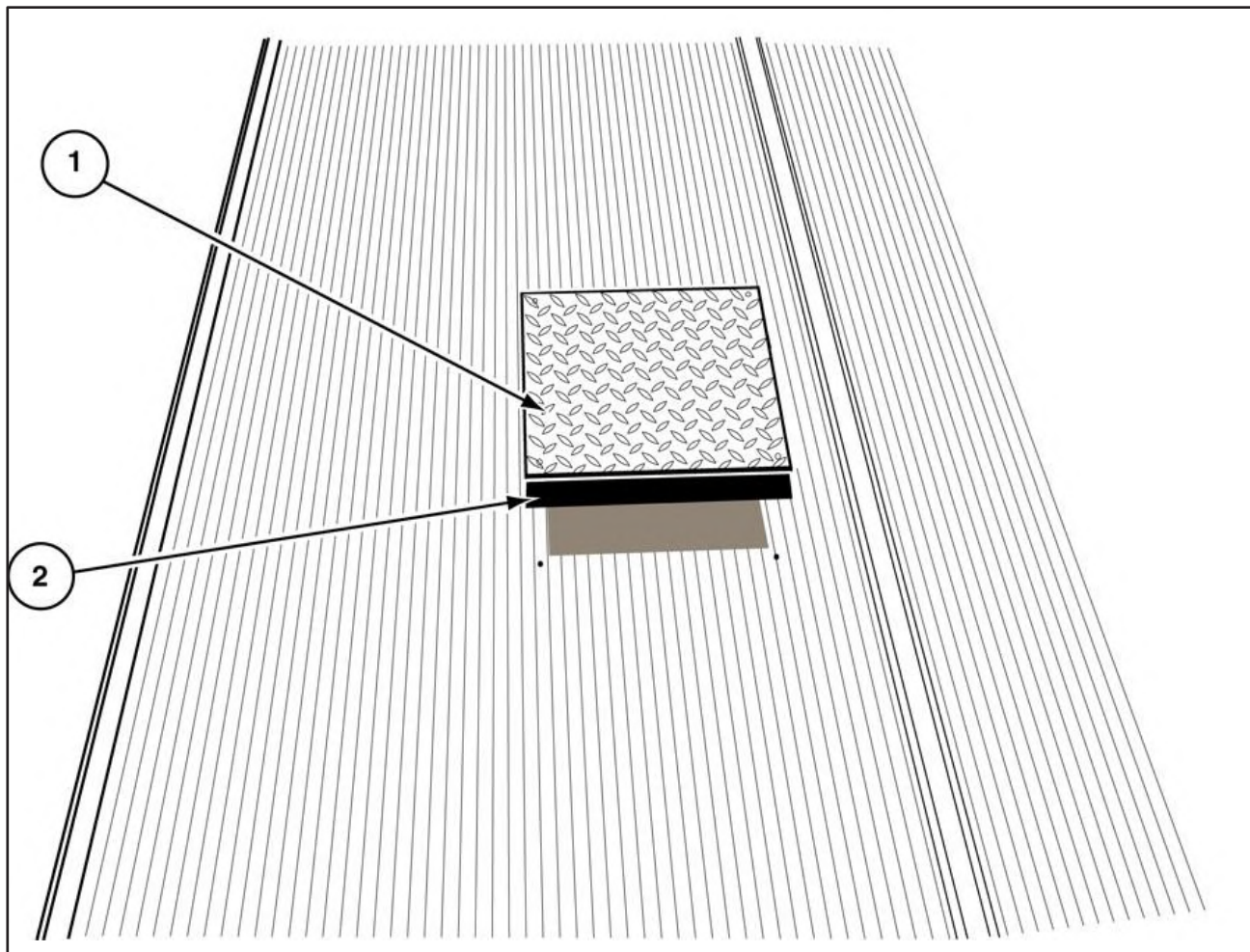
overhead parcel rack all assemblies (rev-a)

<u>ITEM</u>	<u>PART NO.</u>	<u>DESCRIPTION</u>	<u>QTY</u>	<u>ITEM</u>	<u>PART NO.</u>	<u>DESCRIPTION</u>	<u>QTY</u>
1	3371211	Rack, Parcel Overhead 4' R/S & C/S	AR	NS	0350769	Channel, Str .75x1.5x.75x89.75 16G	AR
	3371210	Rack, Parcel Overhead 3' R/S & C/S	AR	NS	0342428	Steel, Flat 14GA/16GA x 6 x 96.0	AR
	3371209	Rack, Parcel Overhead 2' R/S & C/S	AR	NS	4540142	Angle, Aluminum 1 x 1.5 x x 12'	AR
	3371220	Cap, Overhead Parcel Rack	AR		0403629	Install, Light Double Bullet	AR
2	0376964	Bracket, Parcel Support LH	AR	NS	3971720	Light, Double Aircraft W/Camlocks	AR
2	0376965	Bracket, Parcel Support RH	AR	NS	0412012	Install, Pigtail Double Bullet Light	AR
3	0374485P	Bracket, ABS O/H Lug RH Gray PW	AR		0403157	Install, Light W/Out Switch	AR
3	0346410P	Bracket, ABS O/H Lug RH Gray PW	AR	NS	3943917	Light, Dome Without Switch	AR
4	8970402	Trim, Grip W/Out Bulb 3/8" x 5/8"	AR	NS	3971539	Connector, AMP Mate-N-Lock Plug	AR
NS	1570211	Carpet, Aqua Turf Gray Metallic #585	AR	NS	3971543	Connectpr. AMP Mate-N-Lock Cap	AR
NS	4570096	Extrusion, Luggage Rack 241.0	AR	NS	3971730	Terminal, Pin Tape Mtd AMP	AR
NS	3974526	Harness, Center Lights	AR	NS	3971731	Terminal, Socket Tape Mounted AMPAR	AR
NS	3974666	Harness, Parcel Rack Extension	AR				
NS	0379703	Bracket, Parcel Rack Extension	AR				
NS	4570144	Cap, End "J" .19-1/4" x 16'	AR				
NS	0970024	Lumber, 2 x 6 x 96.0 #2	AR				



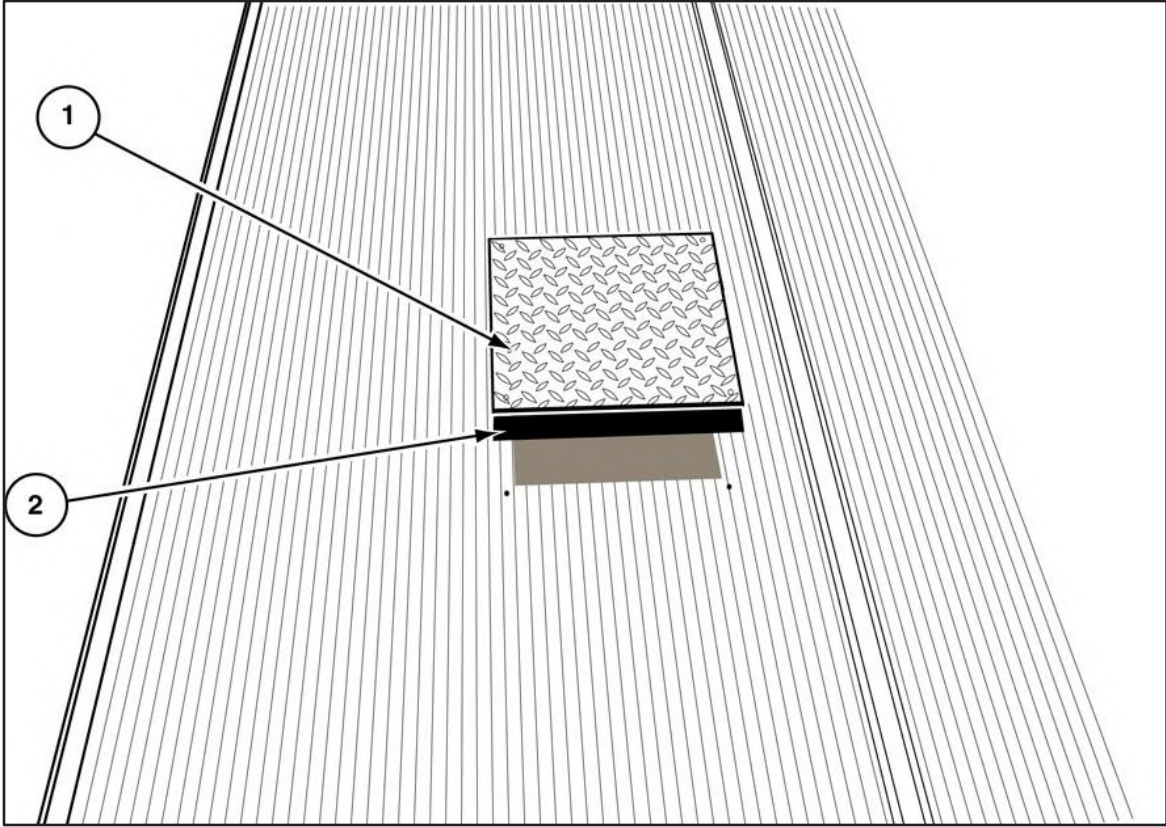
**FUEL SENDING UNIT ACCESS PANEL
CX000F513012**

<i>ITEM</i>	<i>PART NO.</i>	<i>DESCRIPTION</i>	<i>QTY</i>	<i>ITEM</i>	<i>PART NO.</i>	<i>DESCRIPTION</i>	<i>QTY</i>
01	0372078	PLATE, DIAMOND ALUMINUM (.13 x 12 x 1)	2				
NS	0370718	TUBE, 14GA 1 X 1 X 24'	AR				
02	8570935	SCREW, (8 x 1 FLAT QDX)	8				
03	0741140	TAR-PAPER, FELT 15# (ROLL)	AR				



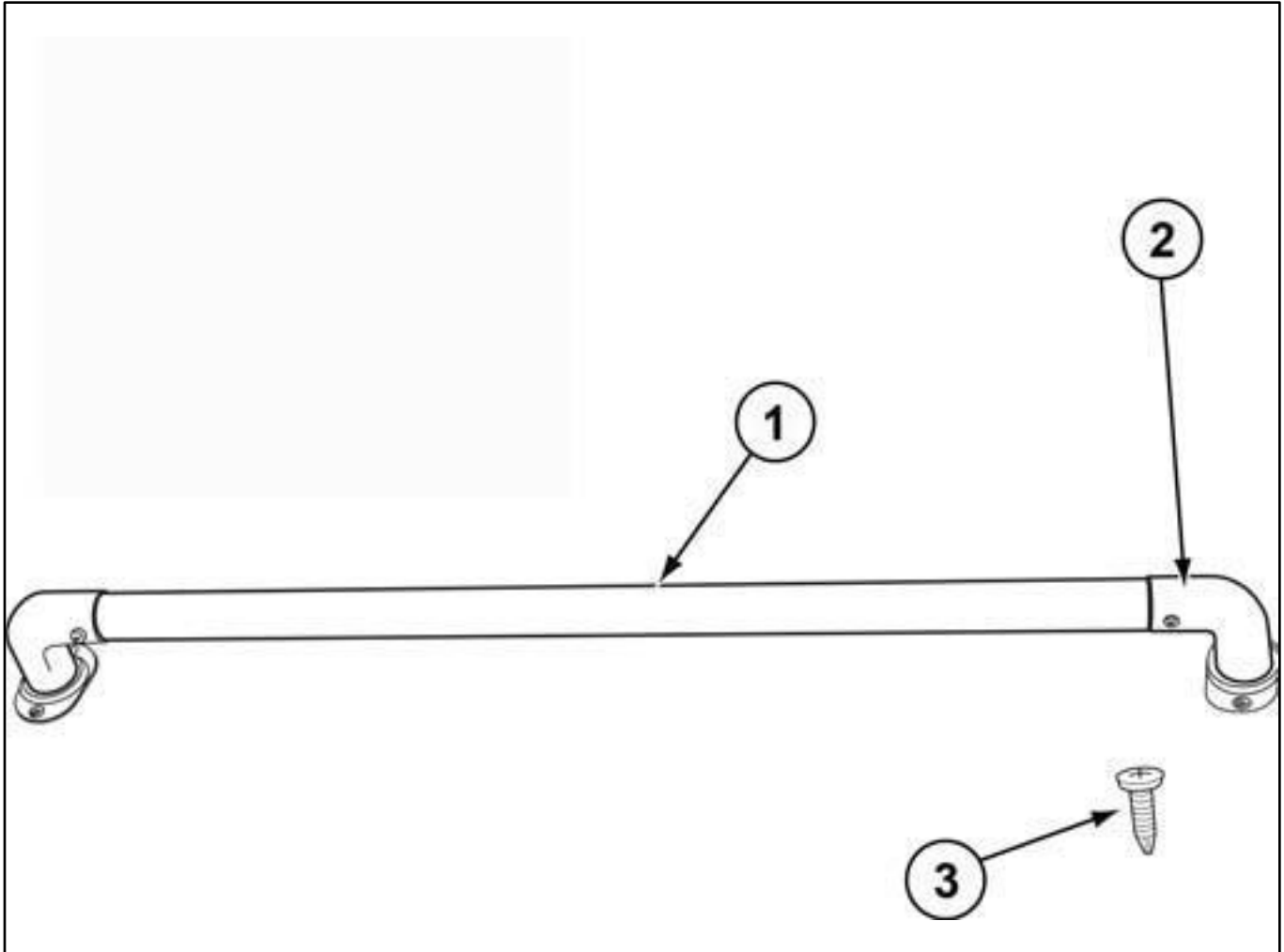
fuel sending unit access panel
cX0000013012

<i>ITEM PART NO. DESCRIPTION</i>	<i>QTY</i>	<i>ITEM PART NO. DESCRIPTION</i>	<i>QTY</i>
01 0372078 Plate, Diamond Alum. 13 x 12 x 1'	1		
02 0370718 Tube, 14GA 1 x 1 x 24'	.3		



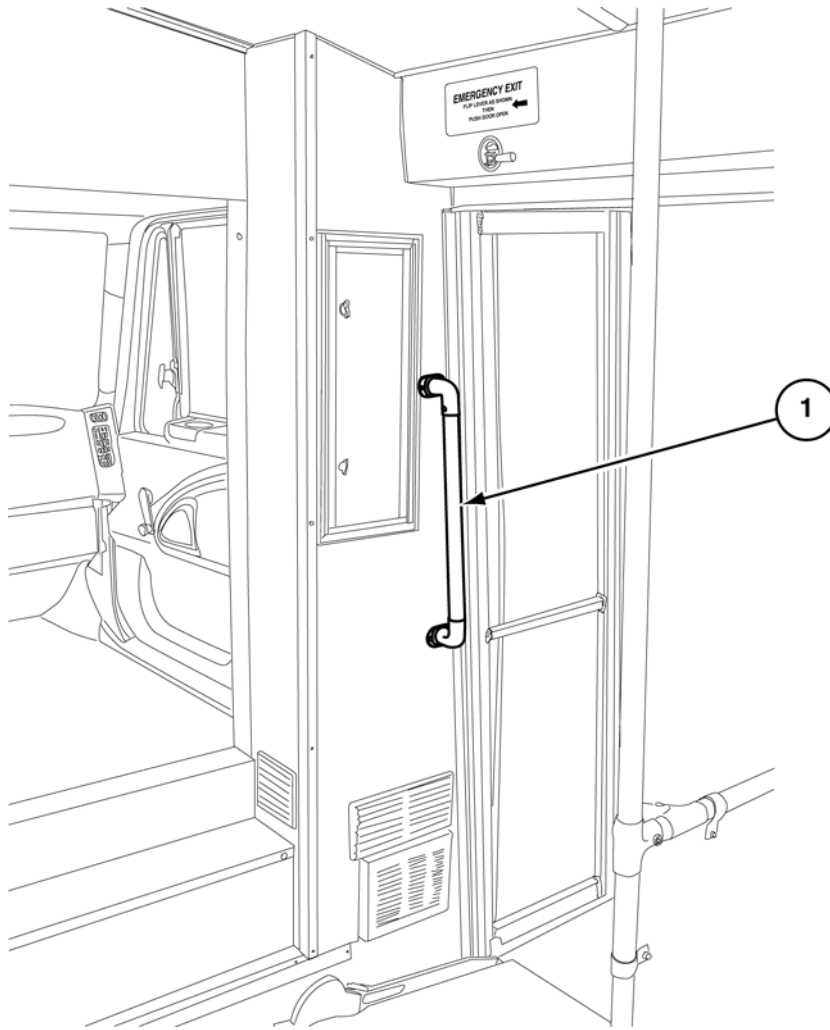
FUEL SENDING UNIT ACCESS COVER S/S 0416959

<i>ITEM PART NO. DESCRIPTION</i>	<i>QTY</i>	<i>ITEM PART NO. DESCRIPTION</i>	<i>QTY</i>
01 0378792 Cover, Fuel Sending Unit Access S/S	1		
NA 8970910 Tape, Non-Skid 12" x 60' Ocean Gray	AR		



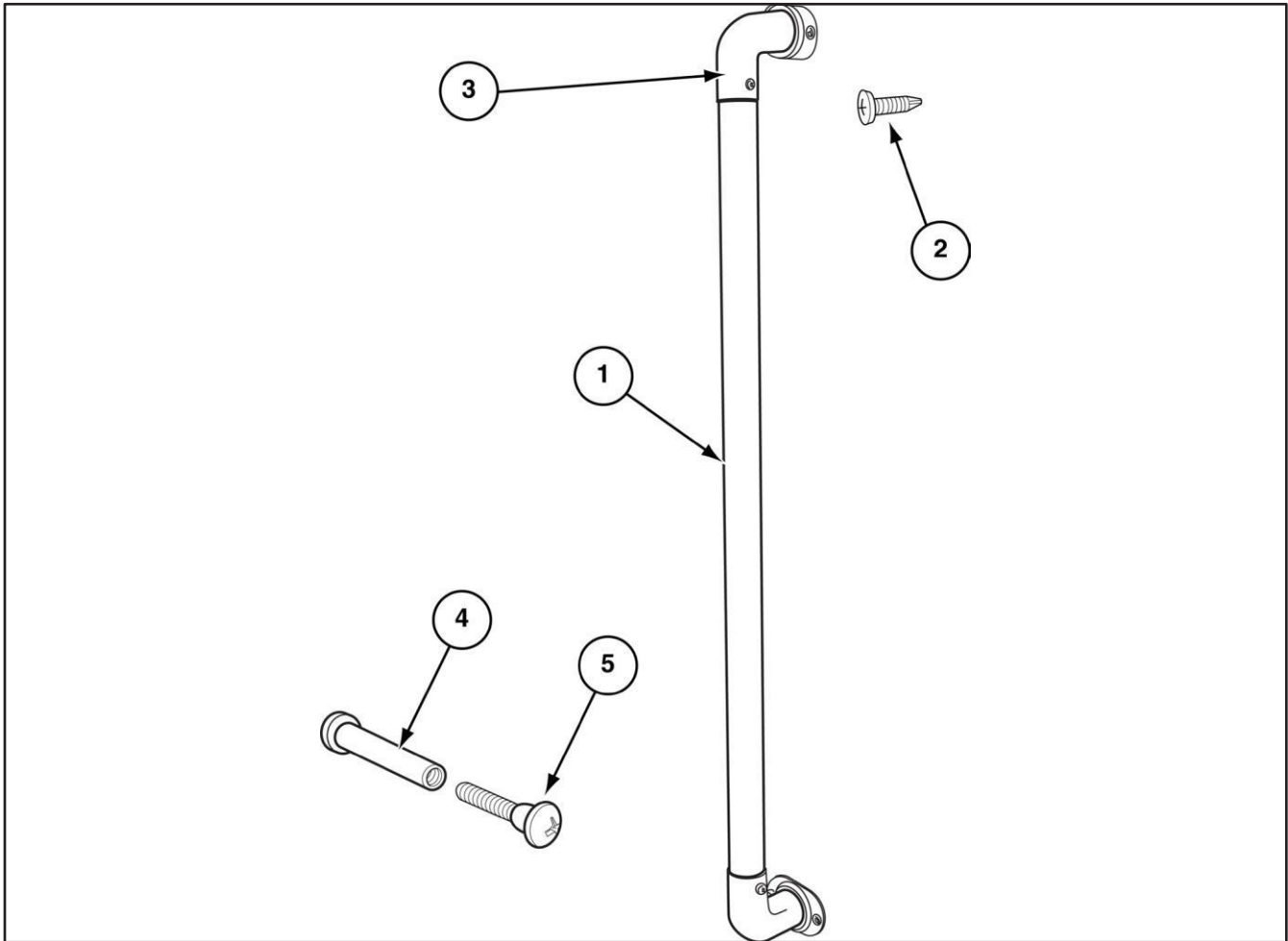
exterior rear grab handle (48")
0421193

<i>ITEM</i>	<i>PART NO.</i>	<i>DESCRIPTION</i>	<i>QTY</i>	<i>ITEM</i>	<i>PART NO.</i>	<i>DESCRIPTION</i>	<i>QTY</i>
01	0346494	Tube, .18GA x 1¼ x 236" S/S 180GR	.5				
02	0376030	Fitting, S/S Elbow W/Base	2				
03	8571470	Bolt, ¼-20 x 2¼" S/S Pan HD	4				
NS	0342428	Steel, Flat 16GA x 6 x 96"	2				



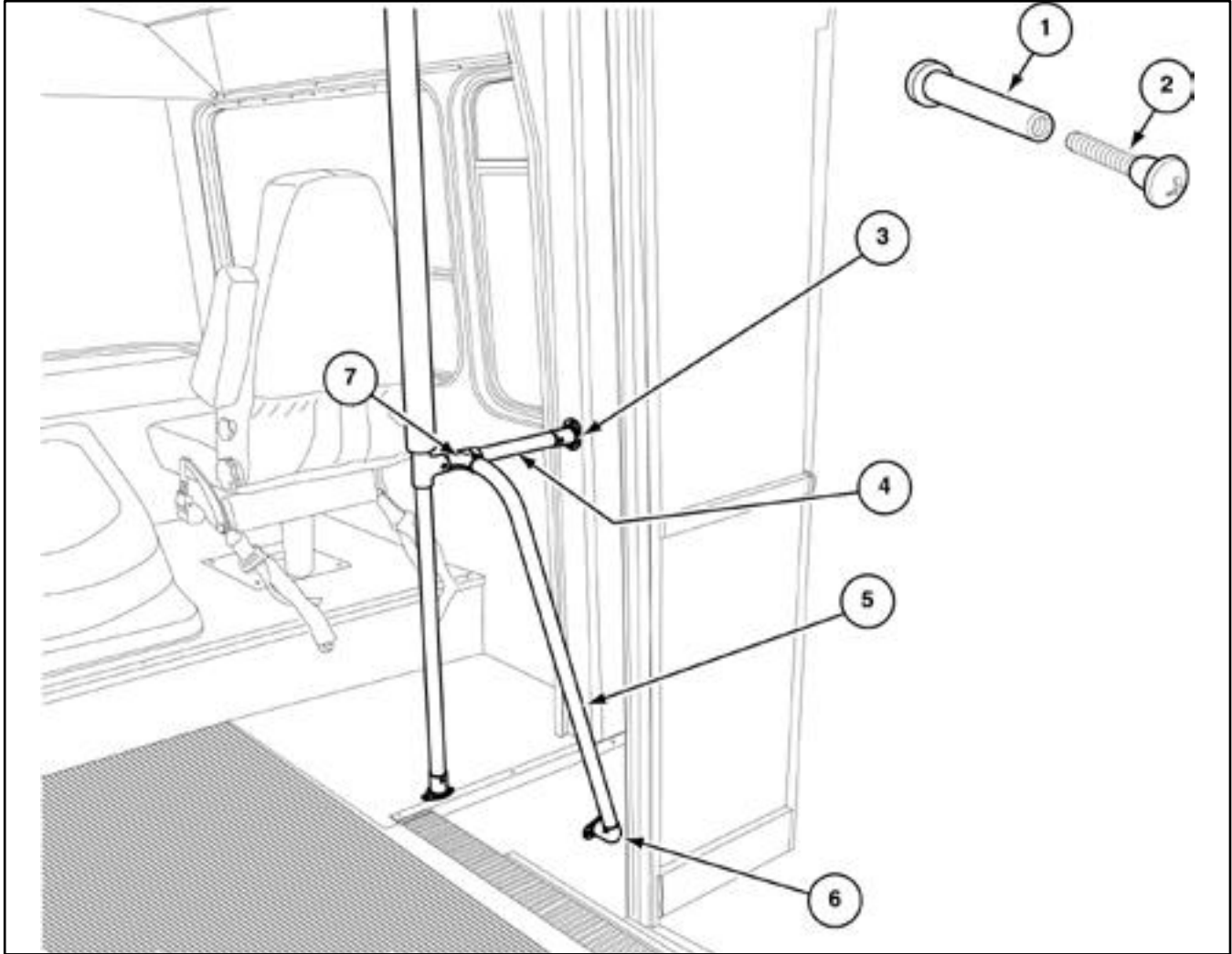
RIGHT HAND GRAB RAIL
CH-000-900-1825

<i>ITEM PART NO. DESCRIPTION</i>	<i>QTY</i>	<i>ITEM PART NO. DESCRIPTION</i>	<i>QTY</i>
01 0346494 TUBE (.065 x 1.25 x 17')	A/R		
8570943 SCREW (8 x 3/4) PAN QUAD	4		
0375089 FITTING, S/S OVAL BASE FLANGED	2		
0346460 NUT, STANCHION	1		
0346478 BOLT, STANCHION	1		



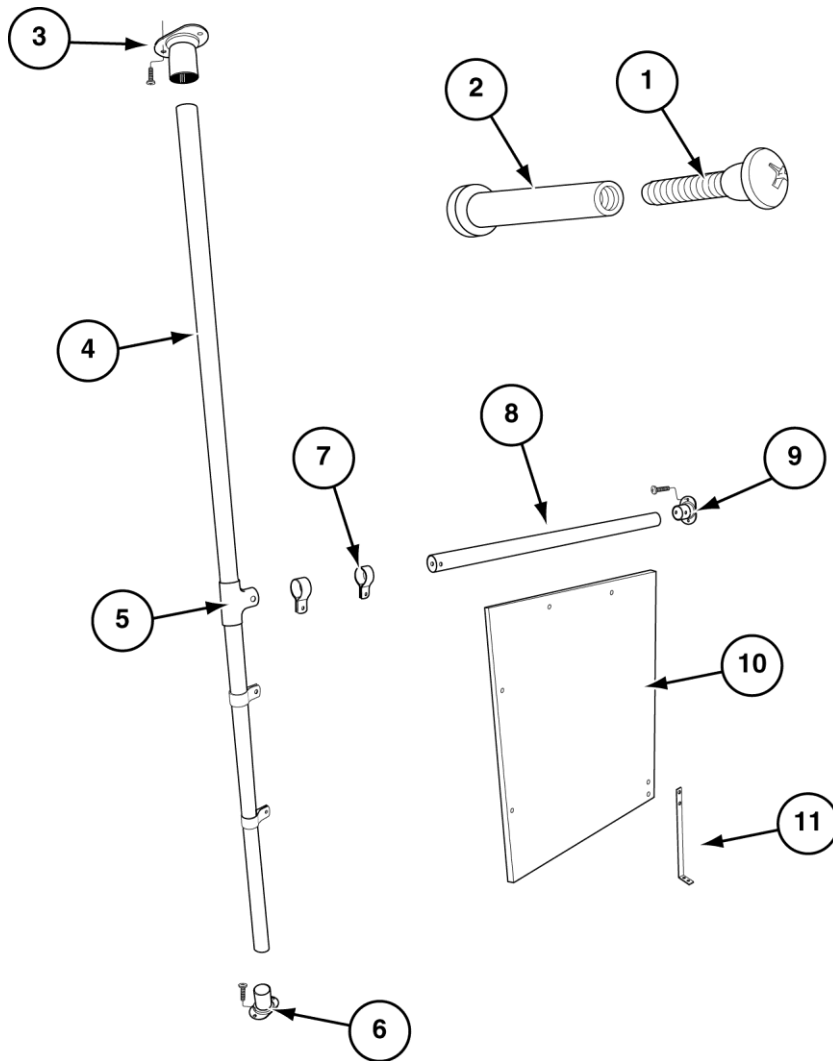
RIGHT HAND GRAB RAIL ELECTRIC DOOR CH-000-900-1825E

<i>ITEM PART NO. DESCRIPTION</i>	<i>QTY</i>	<i>ITEM PART NO. DESCRIPTION</i>	<i>QTY</i>
01 0346494 TUBE, .065 x 1.25 x 17' S/S CLAD	A/R		
2 8570943 SCREW, 8 x 3/4 PAN QUAD T2 EMPG CLR	A/R		
3 0376030 FITTING, S/S ELBOW W/BASE	2		
4 0377868 BOLT, STANCHION LOCKING 2422 MALE	2		
5 0377869 NUT, STANCHION LOCKING 2423 FEMALE	2		



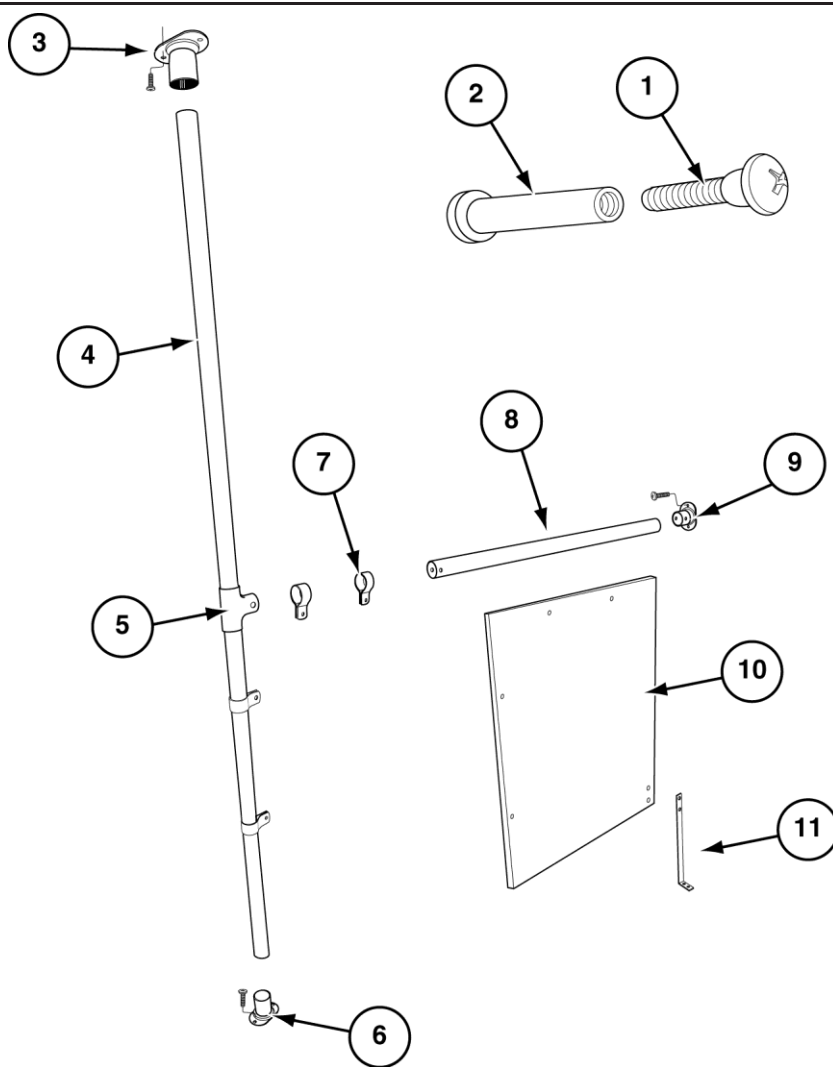
right hand grab rail 0403309 (rEV-9/23/13)

<i>ITEM</i>	<i>PART NO.</i>	<i>DESCRIPTION</i>	<i>QTY</i>	<i>ITEM</i>	<i>PART NO.</i>	<i>DESCRIPTION</i>	<i>QTY</i>
1	0377869	BOLT, STANCHION LOCKING 2423 Female	3	NS	0343695	FITTING, BOTTOM #49011	AR
2	0377868	BOLT, STANCHION LOCKING 2422 MALE	3	NS	0377112	FITTING, S/S BASE 5° H2013-44	AR
3	0373981	FITTING, S/S BASE 5°	1	NS	0379671	FITTING, CUSTOM HARDWARE FEM WOV	1
04	0346494	TUBE (.065 x 1.25 x 17' SS) 180 GRID	AR				
05	0346494	TUBE (.065 X 1.25 X 236" S/S CLAD	AR				
06	0376089	FITTING, S/S OVAL BASE FLANGE	AR				
07	0346379	FITTING, TEE S/S #50100	AR				
06	0376030	FITTING, S/S ELBOW W/BASE	AR				



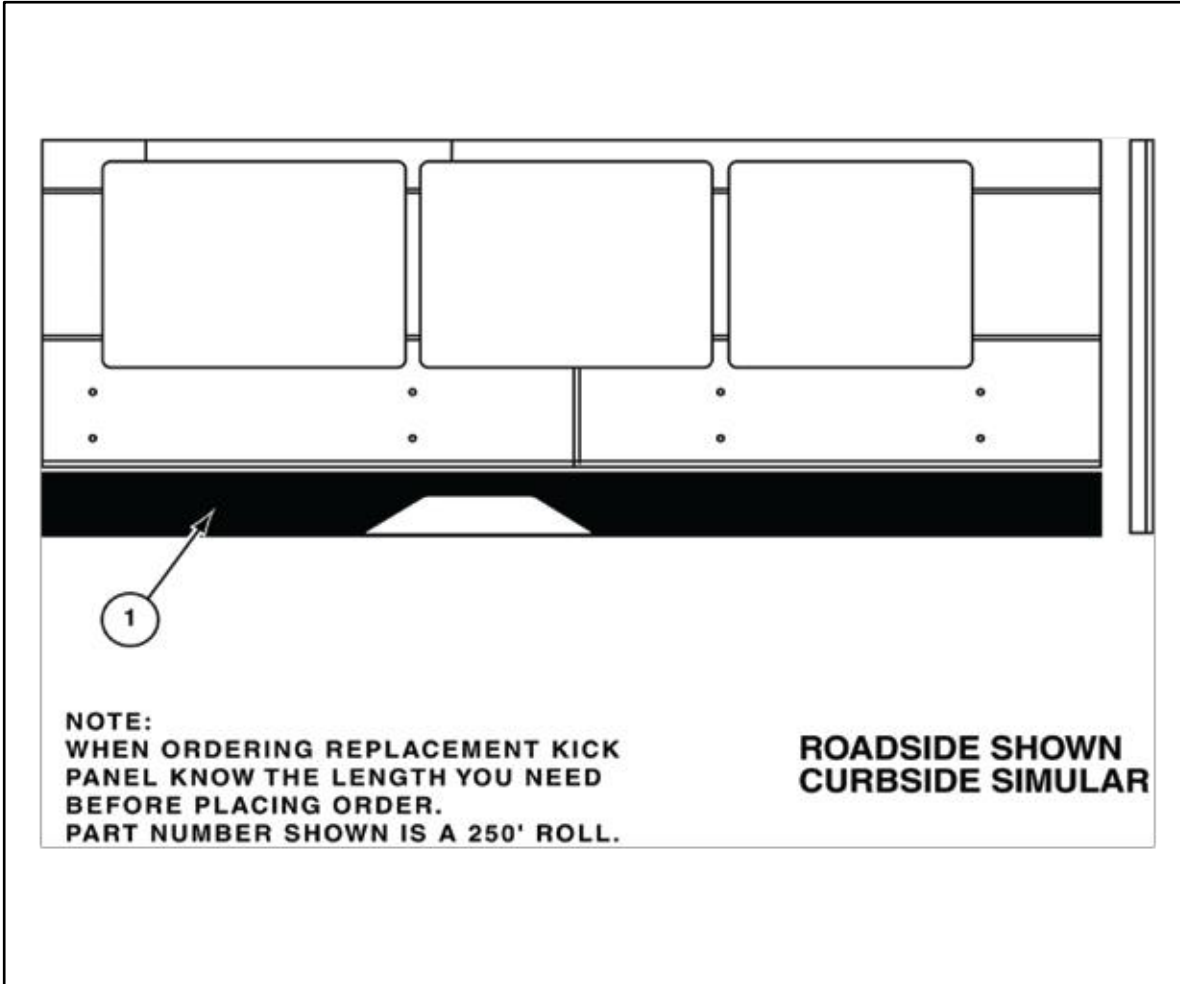
ENTRY DOOR STANCHION REV-C
0409483 / 0402664

<i>ITEMPART NO.</i>	<i>DESCRIPTION</i>	<i>ITEMPART NO.</i>	<i>DESCRIPTION</i>
1	0377868 Bolt, Stanchion 1422 MALE	5	08 0346494 Tube, 17' S/S 180GRID A/R
2	0377869 Nut, Stanchion 1423 FEMALE	5	9 0376089 Fitting, S/S Oval Base Flange 1
3	0377112 Fitting, S/S Base 5 Degree	1	10 0402664 Panel, Modesty 24 x 24.5 Padded Vinyl 1
04	0346494 Tube, .065 x 1.25 x 236" S/S/180 GRID A/R	11	0379205 Bracket, Modesty Panel Support, Floor 1
05	0346379 Fitting, S/S TEE #50100 One Hole	2	N/S 0376030 Fitting, S/S Elbow W/Base 1
06	0343695 Fitting, S/S Bottom 49011	2	N/S 8570996 Screw, Machine 10-32 x 1/2 Phil Pan Zinc 5
07	0377051 Fitting, S/S Modesty Panel Mount	3	N/S 8571085 Nut, Hex 10-32 Acorn Lock S/S 5



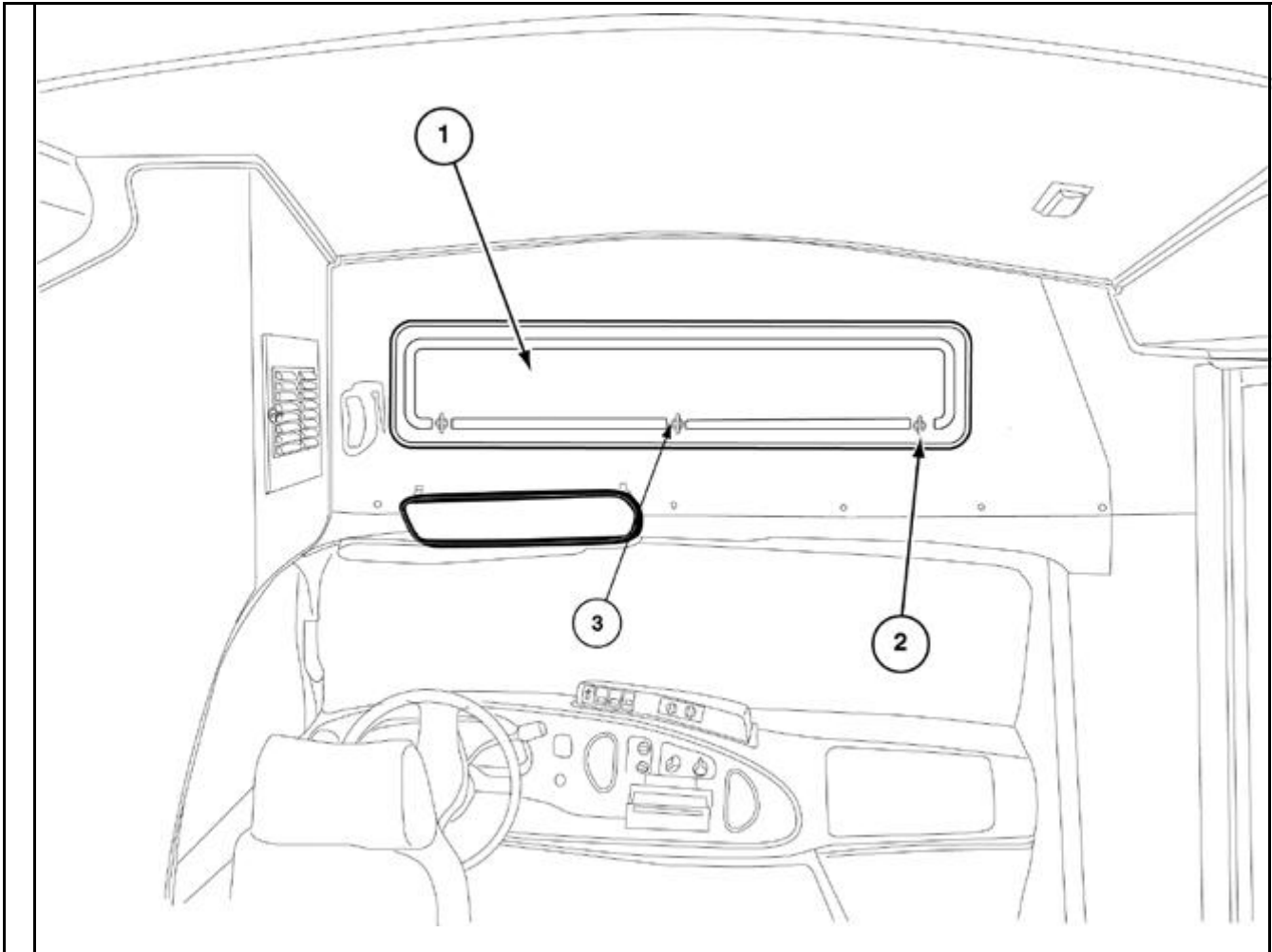
ENTRY DOOR STANCHION W/ ABS REINFORCEMENT 0416072

ITEM	PART NO.	DESCRIPTION	QTY	ITEM	PART NO.	DESCRIPTION	QTY
0416663 STANCHION, ENTRY DOOR W/ABS							
1	0377868	BOLT, STANCHION LOCKING 1422 MALE	5	N/S	8571085	NUT, HEX 10-32 ACORN LOCK S/S	5
2	0377869	NUT, STANCHION LOCKING 1423 FEMALE	5	0412639 BRACKET, MODESTY PANEL SUPPORT			
3	0377112	FITTING, S/S BASE 5 DEGREE W/RUBBER	1	11	4540241	BAR, ALUMINUM .125 X 1" X 10'	AR
4	0346494	TUBE, .065 x 1.25 x 236" S/S/180 GRID	1				
5	0346379	FITTING, S/S TEE #50100 ONE HOLE	2				
6	0343695	FITTING, S/S BOTTOM 49011	2				
7	0377051	FITTING, S/S MODESTY PANEL MOUNT	3				
8	0346494	TUBE, .065 X 1.25 X 17' S/S 180GRID	A/R				
9	0376089	FITTING, S/S OVAL BASE FLANGE	1				
10	3371415	PANEL, MODESTY 1/4 x 13 x 24 ABS GRAY	1				
N/S	8570996	SCREW, MACHINE 10-32 x 1/2 PHIL PAN ZINC	5				



fiberglass kickpanel, black pebble ALL ASSEMBLIES

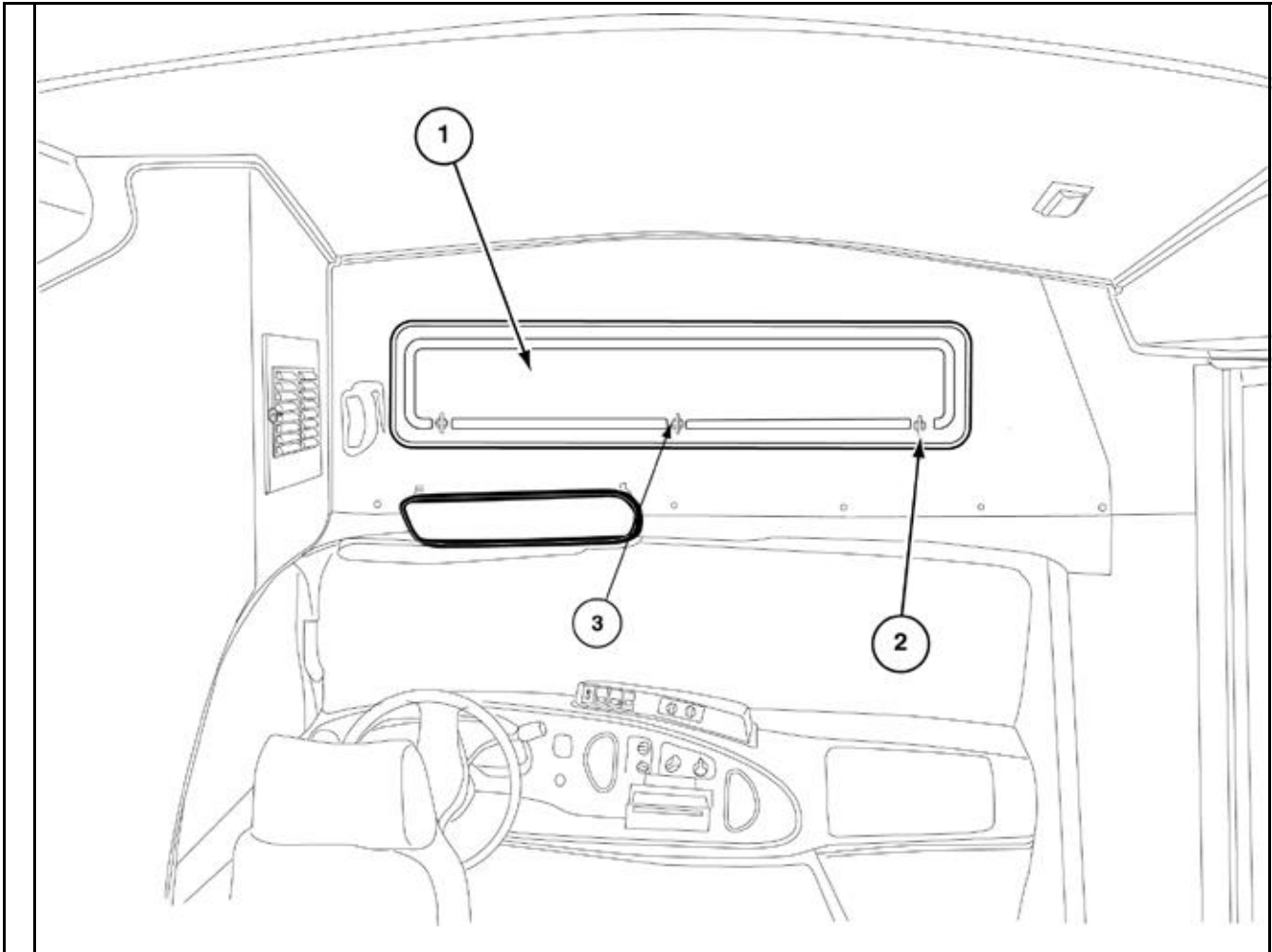
<i>ITEM PART NO. DESCRIPTION</i>	<i>QTY</i>	<i>ITEM PART NO. DESCRIPTION</i>	<i>QTY</i>
01 3371381 Fiberglass, Black Pebble 9.75x250'	A/R		



FRONT GLOVE BOX - LOCKING

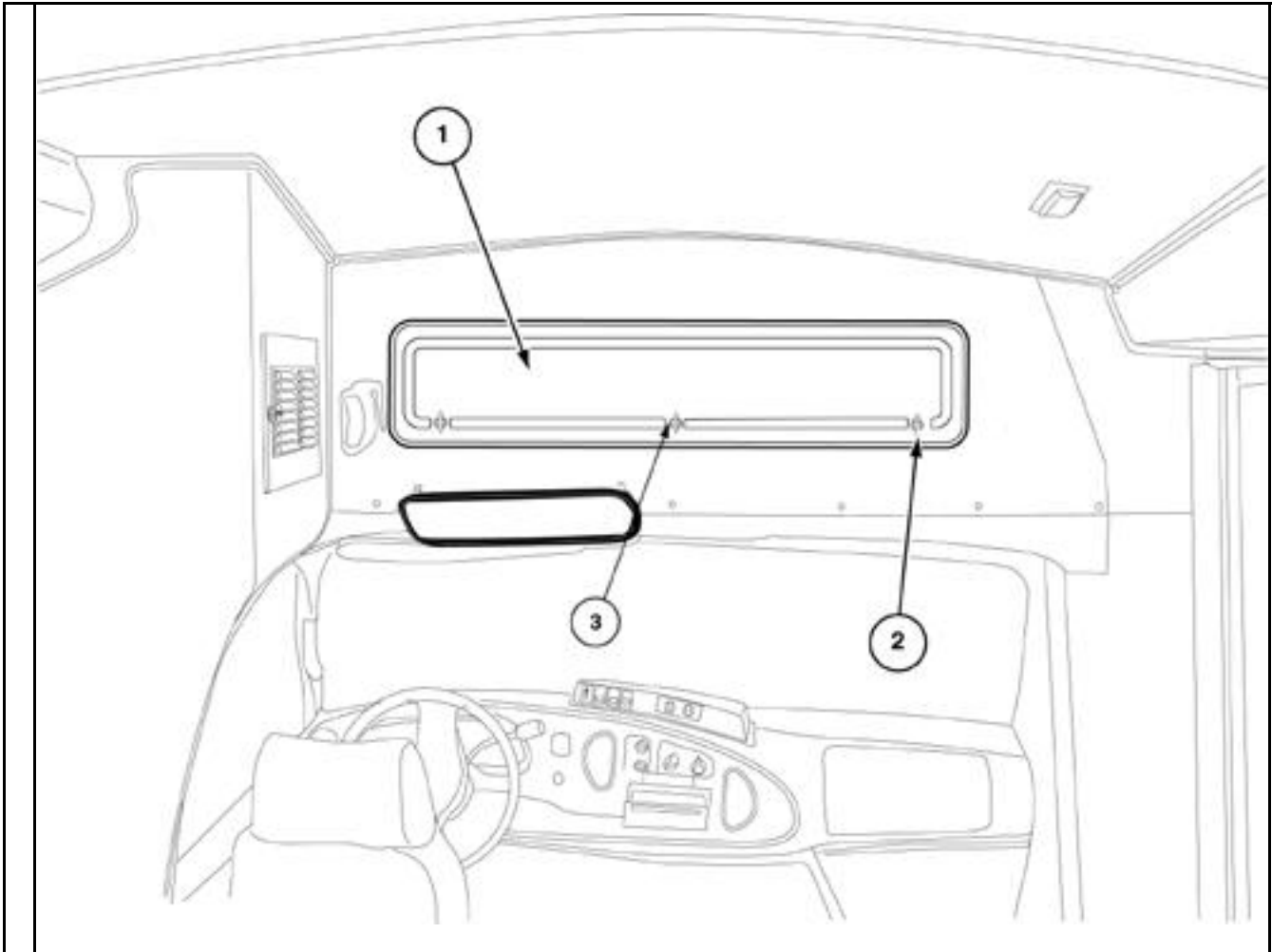
cT-000-900-0703L / 0409745

ITEM	PART NO.	DESCRIPTION	QTY	ITEM	PART NO.	DESCRIPTION	QTY
0409745 INSTALL, DOOR DEST ABS - LOCKING							
1	3370939	DOOR, DESTINATION SIGN	1	N/S	3370919	SHEET, ABS .125" X 48" X 78" GRAY	A/R
N/S	3370798	GUARD, DOOR EDGE	A/R	N/S	0364836	STEEL, FLAT 14GA/16GA X 3 X 96.0	A/R
N/S	4970476	HINGE, CONCEALED	3				
2	4941520	THUMB-LOCK, COMPLETE	2				
3	5340393	LOCK, KEYED ASSEMBLY	1				
N/S	8570668	SPUR-WASHER (1-1/8")	3				
N/S	0375567	PLATE, CONCEALED HINGE BACKING	3				
N/S	4370078	ALUCOBOND, 3MM X 50" X 96" POLY WT AR					



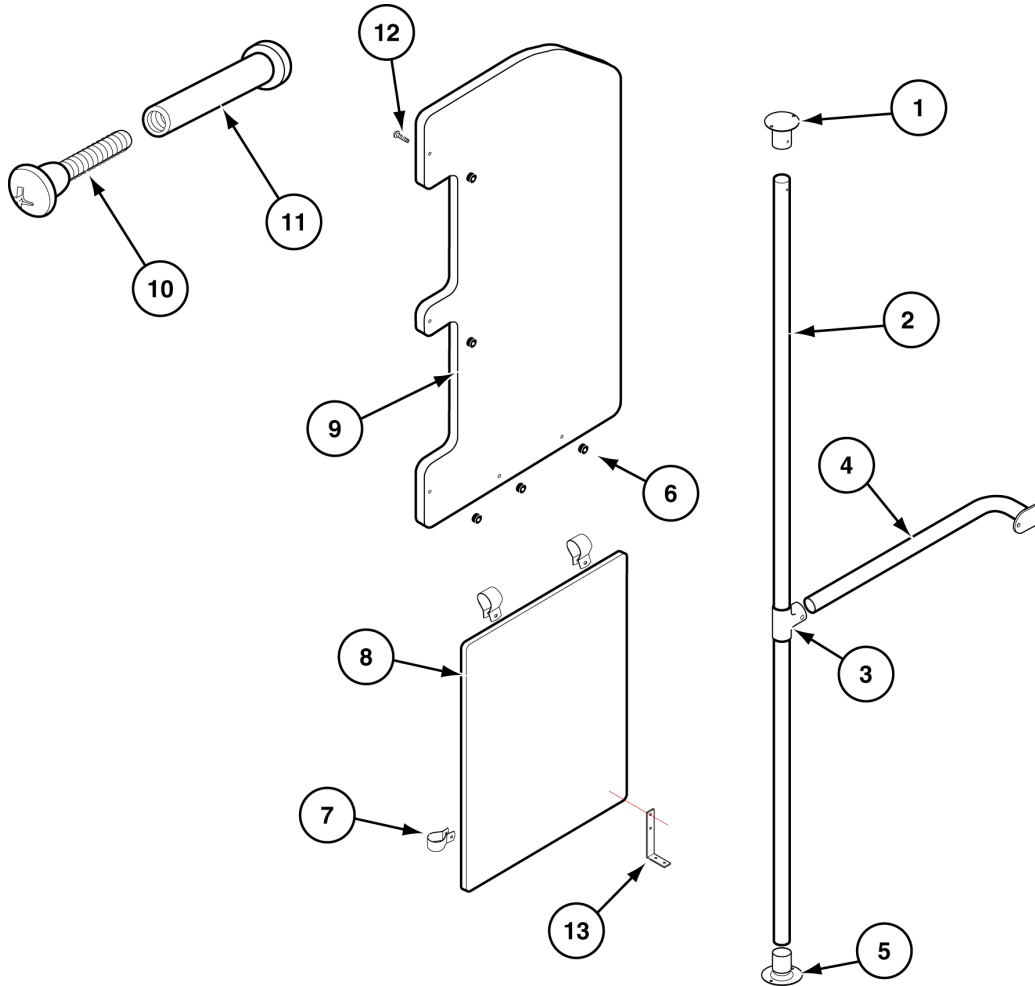
glove box & Destination sign Door - locking
ch000080008 / 0403577 / 0403576 / ch-000-900-0703I

<i>ITEM PART NO. DESCRIPTION</i>	<i>QTY</i>	<i>ITEM PART NO. DESCRIPTION</i>	<i>QTY</i>
0403577 INSTALL, DEST SIGN DOOR - LOCKING		0403576 INSTALL, FRONT GLOVE BOX	
1 3370939 DOOR, DESTINATION SIGN	1	03 5340393 LOCK, KEYED ASSEMBLY	1
N/S 3370798 GUARD, DOOR EDGE	A/R	N/S 8570768 SCREW, (8 x 1½) PAN QUAD BLACK OXIDE 6	
N/S 4970476 HINGE, CONCEALED	3		
2 4941520 THUMB-LOCK, COMPLETE	3		
3 5340393 LOCK, KEYED ASSEMBLY	1		
N/S 8570668 SPUR-WASHER (1-1/8")	3		
N/S 0375567 PLATE, CONCEALED HINGE BACKING	3		
N/S 8570756 SCREW (6 x 3/8) PAN QUAD BLACK OXIDE 6	6		



GLOVE BOX & DESTINATION SIGN DOOR - LOCKING DF000080008

ITEM	PART NO.	DESCRIPTION	QTY	ITEM	PART NO.	DESCRIPTION	QTY
0403577 INSTALL, DEST SIGN DOOR - LOCKING				0403576 INSTALL, FRONT GLOVE BOX (INSIDE)			
1	3370939	DOOR, DESTINATION SIGN	1	N/S	8570692	STAPLE, L14 BAB GSN 18 1-1/8	A/R
N/S	3370798	GUARD, DOOR EDGE	A/R	N/S	8570768	SCREW, (8 x 1½) PAN QUAD BLACK OXIDE 6	
N/S	4970476	HINGE, CONCEALED	3	N/S	3370919	SHEET, ABS .125 x 48 x 78" GRAY	A/R
2	4941520	THUMB-LOCK, COMPLETE	3	N/S	0364836	STEEL, FLAT 14GA/16GA x 3 x 96.0	A/R
3	5340393	LOCK, KEYED ASSEMBLY	1	N/S	4540241	BAR, ALUMINUM .125 x .75 x 4'	A/R
N/S	8570668	SPUR-WASHER (1-1/8")	3				
N/S	0375567	PLATE, CONCEALED HINGE BACKING	3				
N/S	8570756	SCREW (6 x 3/8) PAN QUAD BLACK OXIDE 6	6				
N/S	3370919	SHEET, ABS .125 x 48 x 78" GRAY	A/R				
N/S	0364836	STEEL, FLAT 14GA/16GA x 3 x 96.0	A/R				
N/S	4540241	BAR, ALUMINUM .125 x .75 x 4'	A/R				



INSTALL DRIVER'S BARRIER & STANCHION CH000073040 REV-A / 0408674

ITEM	PART NO.	DESCRIPTION	QTY	ITEM	PART NO.	DESCRIPTION	QTY
01	0377112	FITTING, BASE W/RUBBER 5° S/S	1	10	0377869	NUT, STANCHION 2423 FEMALE	4
02	0346494	TUBE (.065 x 1.25 x 236" S/S) 180 GRID	A/R	11	0377868	BOLT, STANCHION 2422 MALE	4
03	0346379	FITTING, TEE S/S #50100	1	13	0377098	BRACKET, MODESTY PANEL SUPPORT	1
04	0346494	TUBE (.065 x 1.25 x 17' S/S) 180 GRID	A/R	14	0376089	FITTING, OVAL BASE FLANGE S/S	1
05	0343695	FITTING, BOTTOM S/S #49011	1	N/S	8570996	SCREW, MACHINE (10-32 ACORN LOCK) S/S	5
7	0377051	FITTING, MODESTY PANEL MOUNT S/S	3	N/S	8571085	NUT, HEX (10-32 ACORN LOCK)	5
8	3371417	PANEL, MODESTY (1/4 x 25 x 24 ABS) GRAY	1	N/S	4970425	BUMPER, RUBBER DOOR	9
0408674 DRIVER'S BARRIER W/HAND CUT OUT 3/8				N/S	8570706	SCREW, 10 X 1½ PAN QUAD ZINC	9
9	5970876	PANEL, ACRYLIC (3/8 x 48 x 96) GRAY PANEL 20	A/R	N/S	0378648	MOUNT, STANCHION UPPER	1



INTERIOR MIRROR (BLACK)
0411749

<i>ITEM PART NO. DESCRIPTION</i>	<i>QTY</i>	<i>ITEM PART NO. DESCRIPTION</i>	<i>QTY</i>
01 6170345 MIRROR, INTERIOR (BLACK) F-DOT	1		



6" x 16" interior mirror assembly
Cx0000072809 / Cx-000-900-2809

ITEM	PART NO.	DESCRIPTION	QTY	ITEM	PART NO.	DESCRIPTION	QTY
01	6140479	MIRROR, INTERIOR (6 x 16)	1				
02	6170102	STRAP, MOUNTING (4.5 x 14 x 4.5)	1				
	6170103	STRAP, MOUNTING (4.5 x 14 x 2.5)					
N/S	8570706	SCREW (10 x 1-1/2 PAN QUAD ZINC)	5				



INTERIOR MIRROR, 6 X 30"
0411974

<i>ITEM PART NO. DESCRIPTION</i>	<i>QTY</i>	<i>ITEM PART NO. DESCRIPTION</i>	<i>QTY</i>
01 6170135 Mirror, 6" x 30" Interior	1		



MIRROR, INTERIOR CONVEX 7" X 10"
0412023

ITEM PART NO.	DESCRIPTION	QTY	ITEM PART NO.	DESCRIPTION	QTY
01 6170114	Mirror,Convex7 x 10 Interior	1			



Interior rearview Mirror
aB0000070143

<i>ITEM PART NO. DESCRIPTION</i>	<i>QTY</i>	<i>ITEM PART NO. DESCRIPTION</i>	<i>QTY</i>
1 6170295 Mirror, Interior Rearview	1		
2 0376993 Bracket, Interior Rearview Mirror	1		



9" round convex interior mirror
cx-000-900-3123 / CX0000073123

<i>ITEM</i>	<i>PART NO.</i>	<i>DESCRIPTION</i>	<i>QTY</i>	<i>ITEM</i>	<i>PART NO.</i>	<i>DESCRIPTION</i>	<i>QTY</i>
01	6170039	MIRROR HEAD, CONVEX	1				
N/S	8570706	SCREW (10 x 1-1/2 PAN QUAD ZINC)	2				
N/S	8543332	BOLT, HEX (5/16 x 1-3/4 GRD 5)	1				
N/S	0373597	BRACKET, MIRROR	1				



**CHAMPION
BUS, INC.**

Wholly owned subsidiary of Thor Industries, Inc.

SECTION 4:

ELECTRICAL



BREAKER 90 AMP
0413797-3971807

<i>ITEM PART NO. DESCRIPTION</i>	<i>QTY</i>	<i>ITEM PART NO. DESCRIPTION</i>	<i>QTY</i>
----------------------------------	------------	----------------------------------	------------

01 3971807 BREAKER, 90 AMP MAIN RICON	1		
---------------------------------------	---	--	--



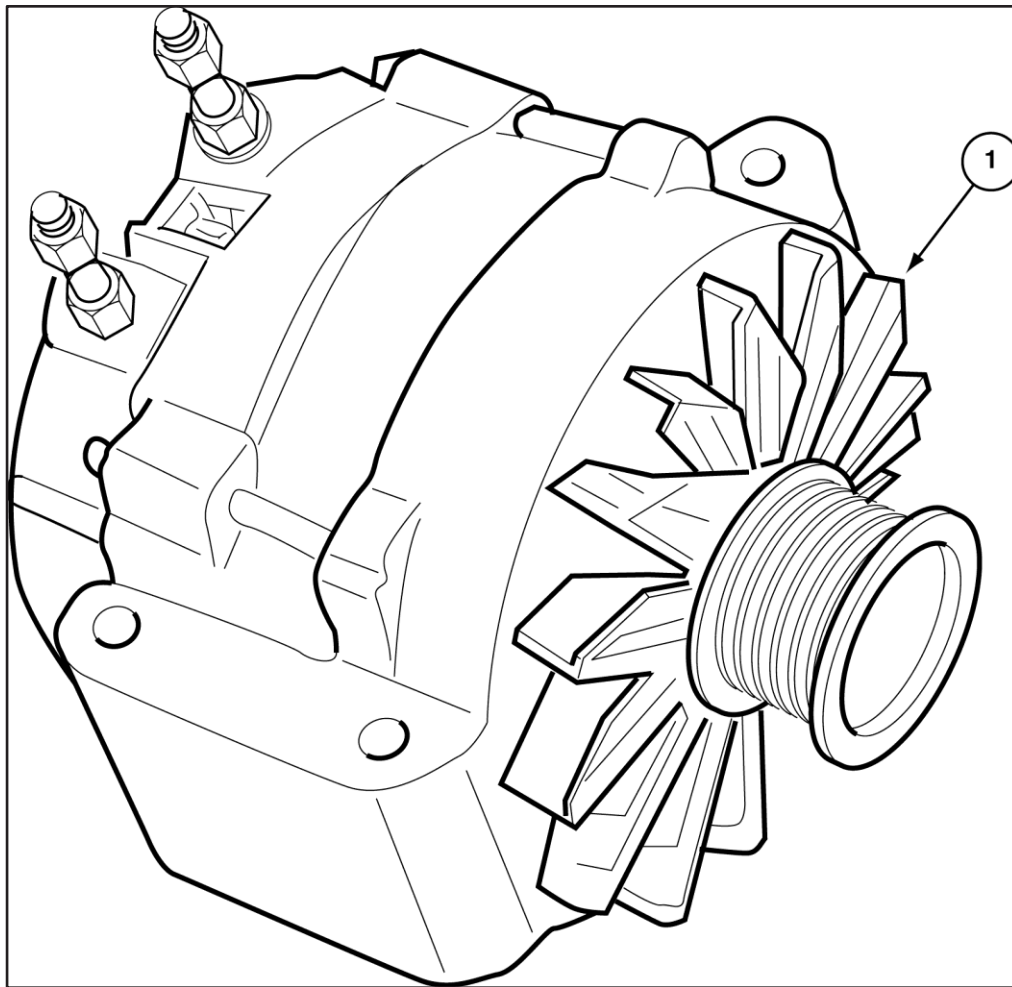
kei alternator, 240 amp
0419552

<i>ITEM</i>	<i>PART NO.</i>	<i>DESCRIPTION</i>	<i>QTY</i>	<i>ITEM</i>	<i>PART NO.</i>	<i>DESCRIPTION</i>	<i>QTY</i>
01	3975379	Alternator, 240AMP F550 6.8L Gas FDOT	1				



**KEI ALTERNATOR - 240 AMP
0419541**

<i>ITEM</i>	<i>PART NO.</i>	<i>DESCRIPTION</i>	<i>QTY</i>	<i>ITEM</i>	<i>PART NO.</i>	<i>DESCRIPTION</i>	<i>QTY</i>
01	3975380	Alternator, 240 AMP GM610 FDOT G/D 1					



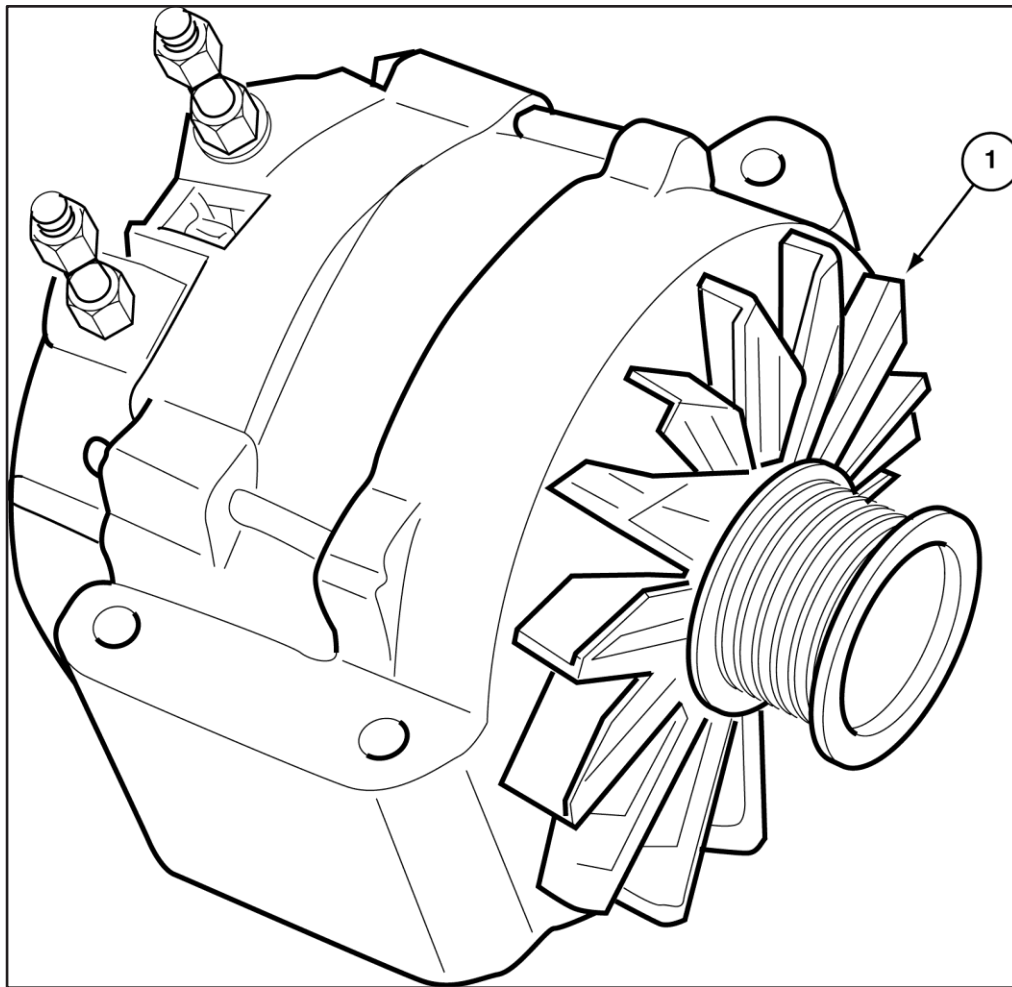
**alternator, ForD GaS
CH000FP20083**

<i>ITEM PART NO. DESCRIPTION</i>	<i>QTY</i>	<i>ITEM PART NO. DESCRIPTION</i>	<i>QTY</i>
01 3972129 Alternator, PX520R HO FORD V-10	1		



**INSTALL PX-2 ALTERNATOR ASSEMBLY
0410553**

<i>ITEM</i>	<i>PARTNO.</i>	<i>DESCRIPTION</i>	<i>QTY</i>	<i>ITEM</i>	<i>PARTNO.</i>	<i>DESCRIPTION</i>	<i>QTY</i>
01	3973121	ALTERNATOR, RX-220R-5A	1				
N/S	1770952	KIT, ALTERNATOR MOUNT (5.4L FORD)	1				



**alternator, For D5.4I - GaS - PX-5
0410554**

<i>ITEM PART NO. DESCRIPTION</i>	<i>QTY</i>	<i>ITEM PART NO. DESCRIPTION</i>	<i>QTY</i>
01 3972129 Alternator, PX520R HO FORD V-10	1		



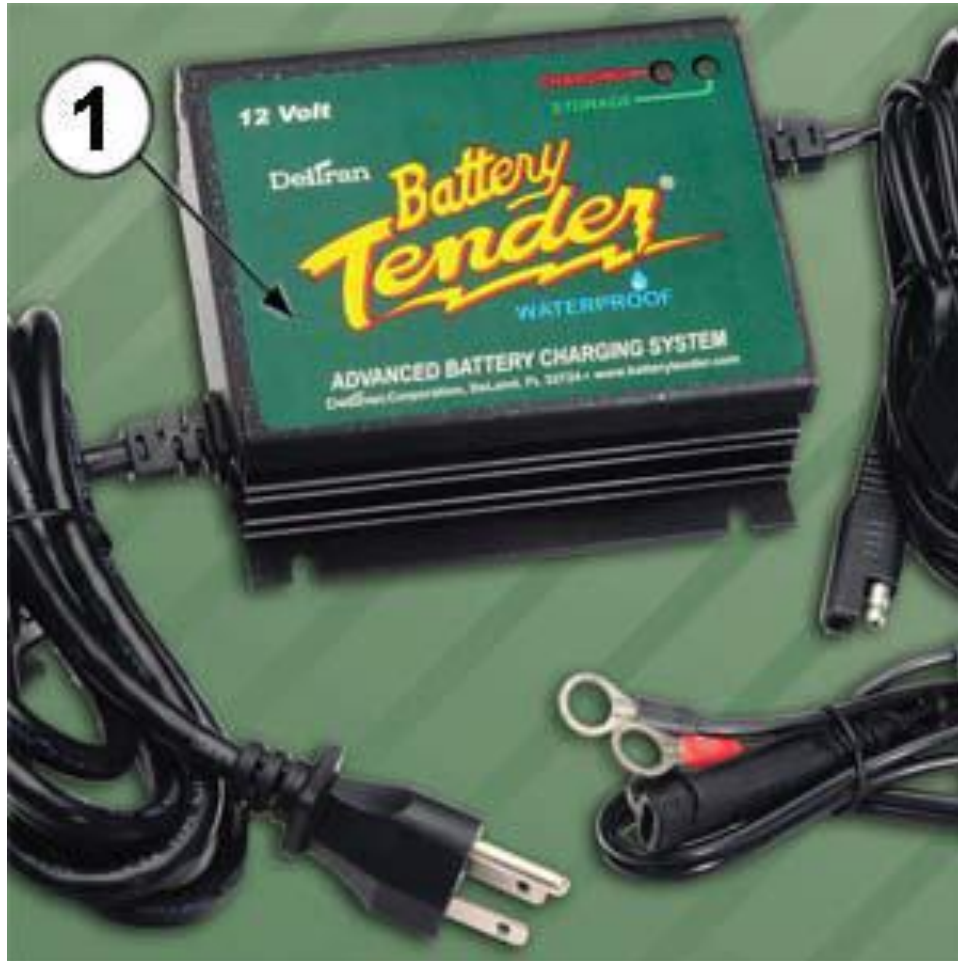
Alternator Assembly 0405403

<i>ITEM PART NO. DESCRIPTION</i>	<i>QTY</i>	<i>ITEM PART NO. DESCRIPTION</i>	<i>QTY</i>
01 3973122 Alternator, PX-220R05T	1		
N/S 3945656 Loom, 1/2" Split Nylon W/Stripe Hi-T	6		
N/S 3970373 Terminal, Ring Non-Ins 2GA 5/16"	2		
N/S 3971630 Connector, 2GA x 3/8 Ring Non-Ins	2		
N/S 3971727 Terminal, Ring Non-Ins 2GA 3/8"	2		



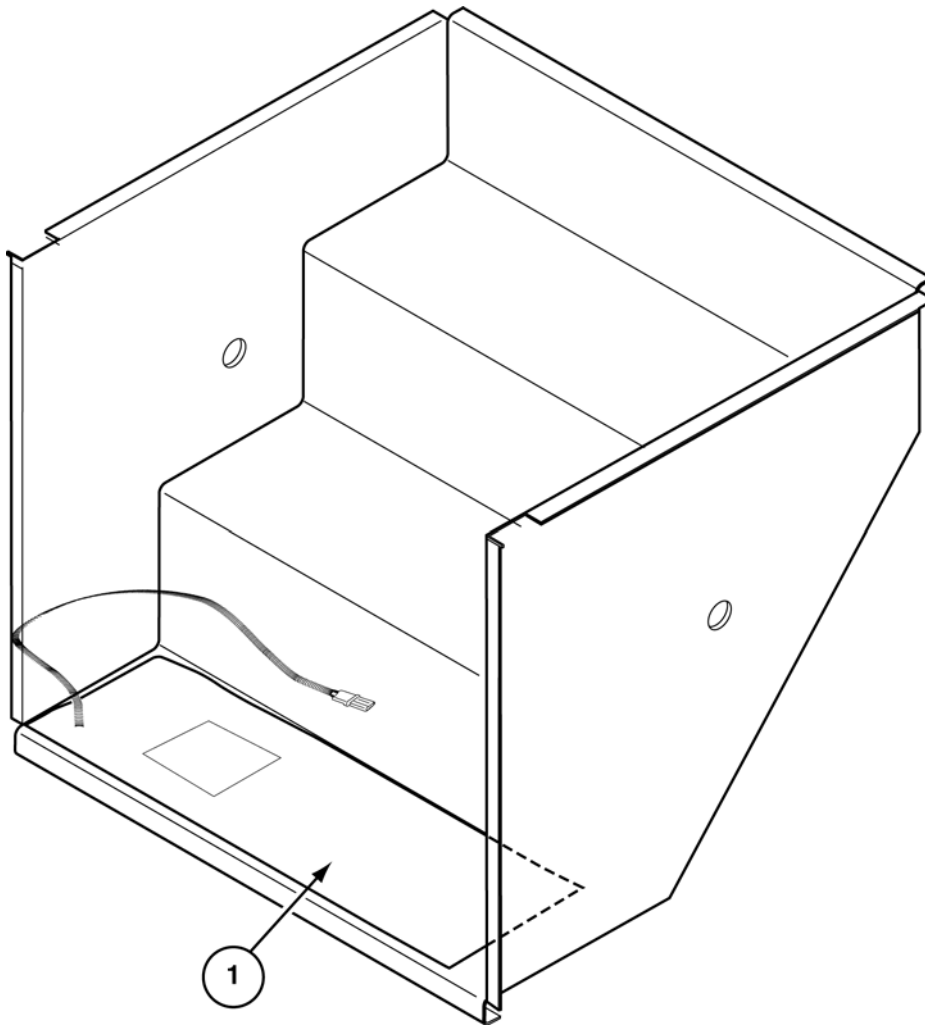
VOLTMETER
0414528

<i>ITEM PART NO. DESCRIPTION</i>	<i>QTY</i>	<i>ITEM PART NO. DESCRIPTION</i>	<i>QTY</i>
01 3973506 METER,VOLT (STEWART WARNER)	1		



**waterproof battery charger plus
0421391**

<i>ITEM</i>	<i>PART NO.</i>	<i>DESCRIPTION</i>	<i>QTY</i>	<i>ITEM</i>	<i>PART NO.</i>	<i>DESCRIPTION</i>	<i>QTY</i>
01	3975862	Charger, Waterproof Battery on Boar	1				



ELECTRIC HEATED ENTRY STEPS
CX-000-900-3121

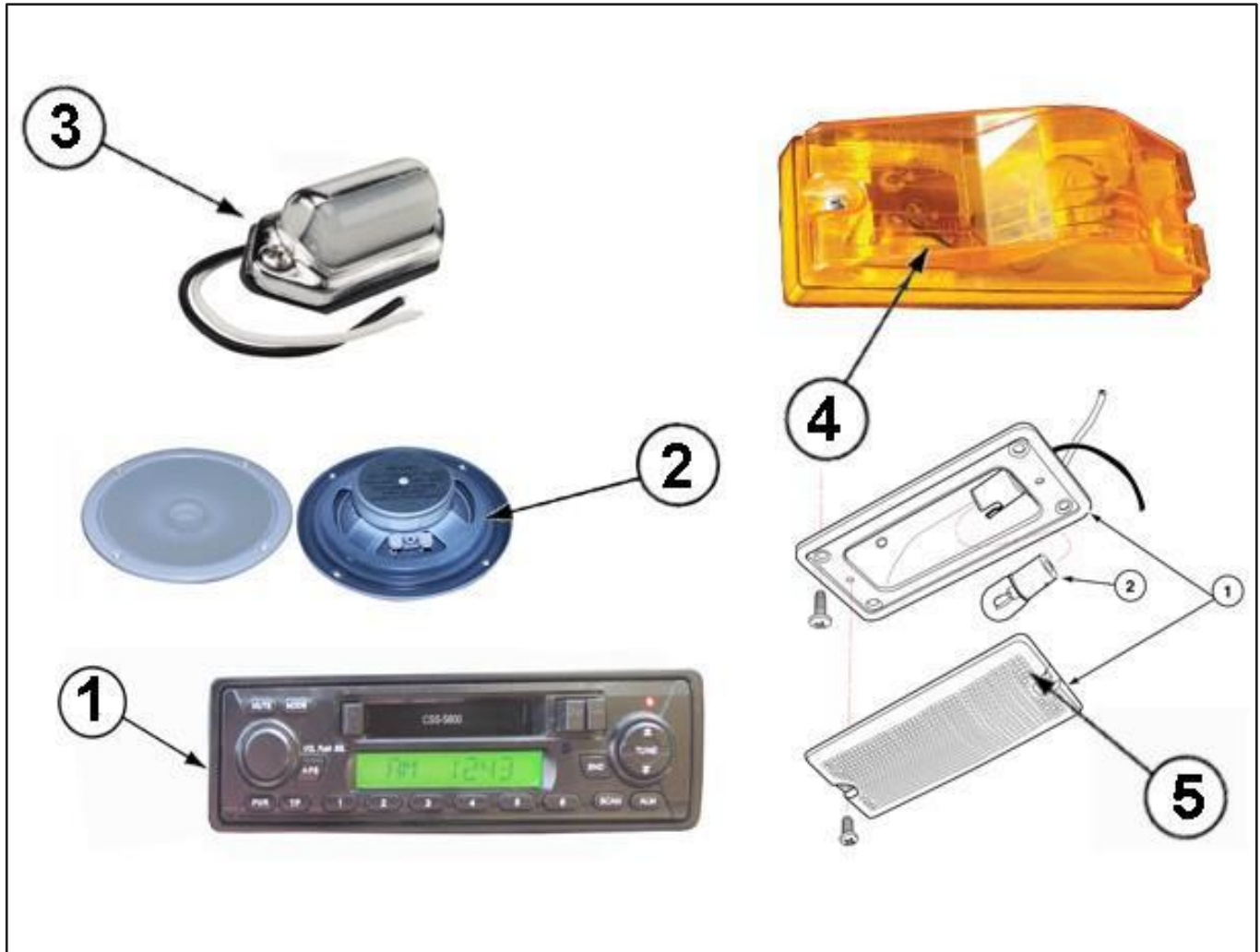
<i>ITEM</i>	<i>PARTNO.</i>	<i>DESCRIPTION</i>	<i>QTY</i>	<i>ITEM</i>	<i>PARTNO.</i>	<i>DESCRIPTION</i>	<i>QTY</i>
01	2143592	HEATER, ENTRANCE STEP(12-VOLT)	3				
NS	0741058	INSULATION BOARD(1 x 48 x 96)	A/R				
NS	3971290	BREAKER, 20 AMP	1				



ELECTRIC PACKAGE 1 - foRd

CH000025106 / CH-000-998-5106

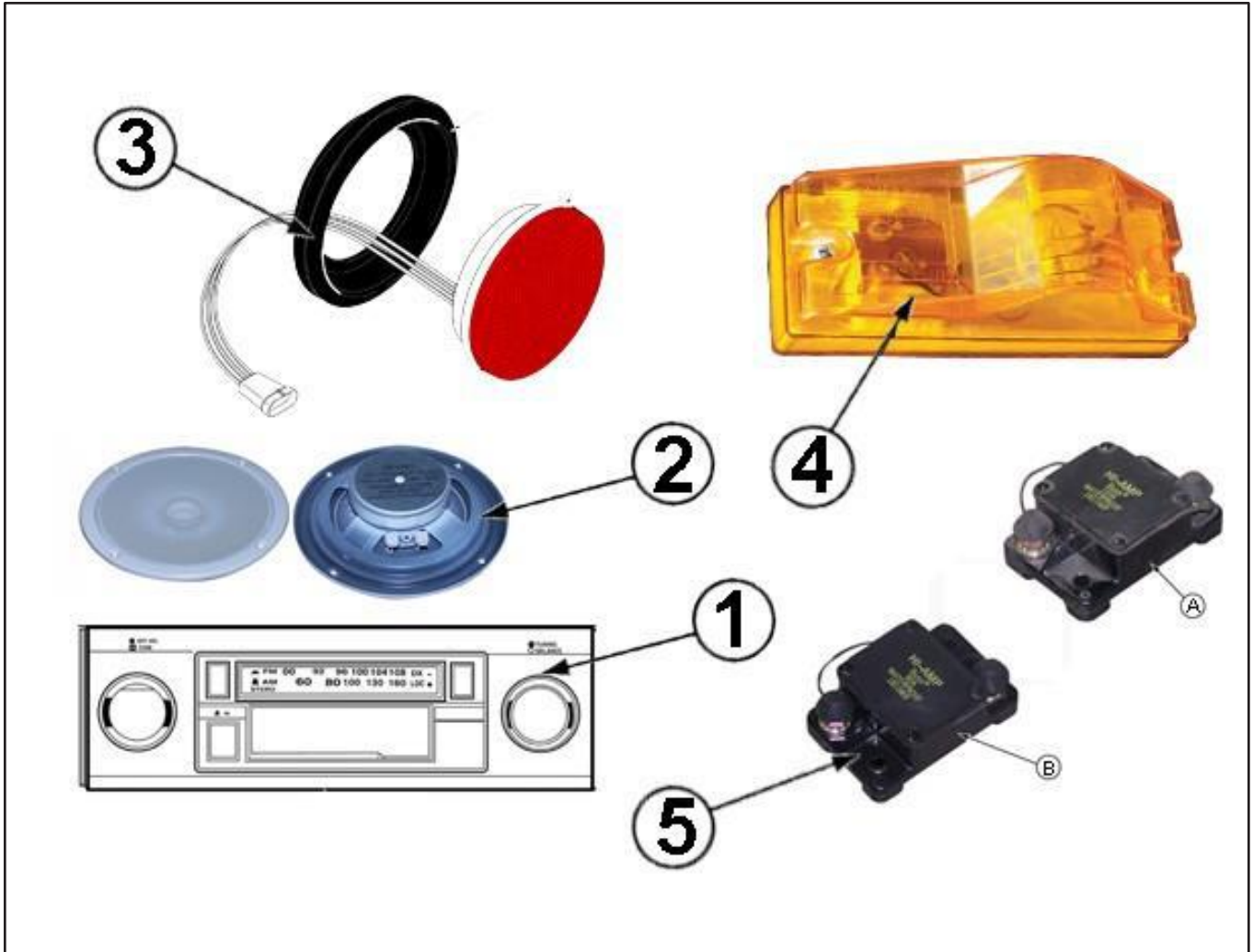
<i>ITEM PART NO. DESCRIPTION</i>	<i>QTY</i>	<i>ITEM PART NO. DESCRIPTION</i>	<i>QTY</i>
CH000020001 AM/FM CASSETTE RADIO		CX0000023102 SIDE DIRECTIONAL LIGHTS	
01 3971341 RADIO, AM/FM / CASS W/PA	1	4 3971879 LIGHT, SEALED SIDE MARKER - AMBER	2
N/S 3972514 ANTENNA, AM/FM	1	N/S 3974514 REFLECTOR, RECTANGULAR TAPE AMBER	2
N/S 3371332 BRACKET, RADIO	1	N/S 3970068 REFLECTOR, RECTANGULAR TAPERED	2
N/S 3971341 WIRE, SPEAKER BLUE/WHITE	7	N/S 3971517 P-CLAMP, VINYL COATED STEEL 5/8	3
CX0000022806 SPEAKERS, EXTRA EA. 5.5"		CH000FP23161 CIRCUIT BREAKERS (CH/CR)	
02 3972268 SPEAKER, BLACK 5.5"	4	5 3970472 BREAKER, 15 AMP (SILVER)	8
N/S 3944485 TERMINAL, F INS FEM QK DISC 16-14	2	05 3971290 BREAKER, 20 AMP (SILVER)	1
CH000FP22826 REAR CENTER BRAKE LIGHT			
03 3971446 LIGHT, STOP & TAIL ROUND	1		
N/S 3972986 GROMMET, 4" LIGHT	1		
N/S 3972919 HARNESS, REAR CNTR BRAKE LIGHT	1		



ELECTRICAL PaCKaGE 1

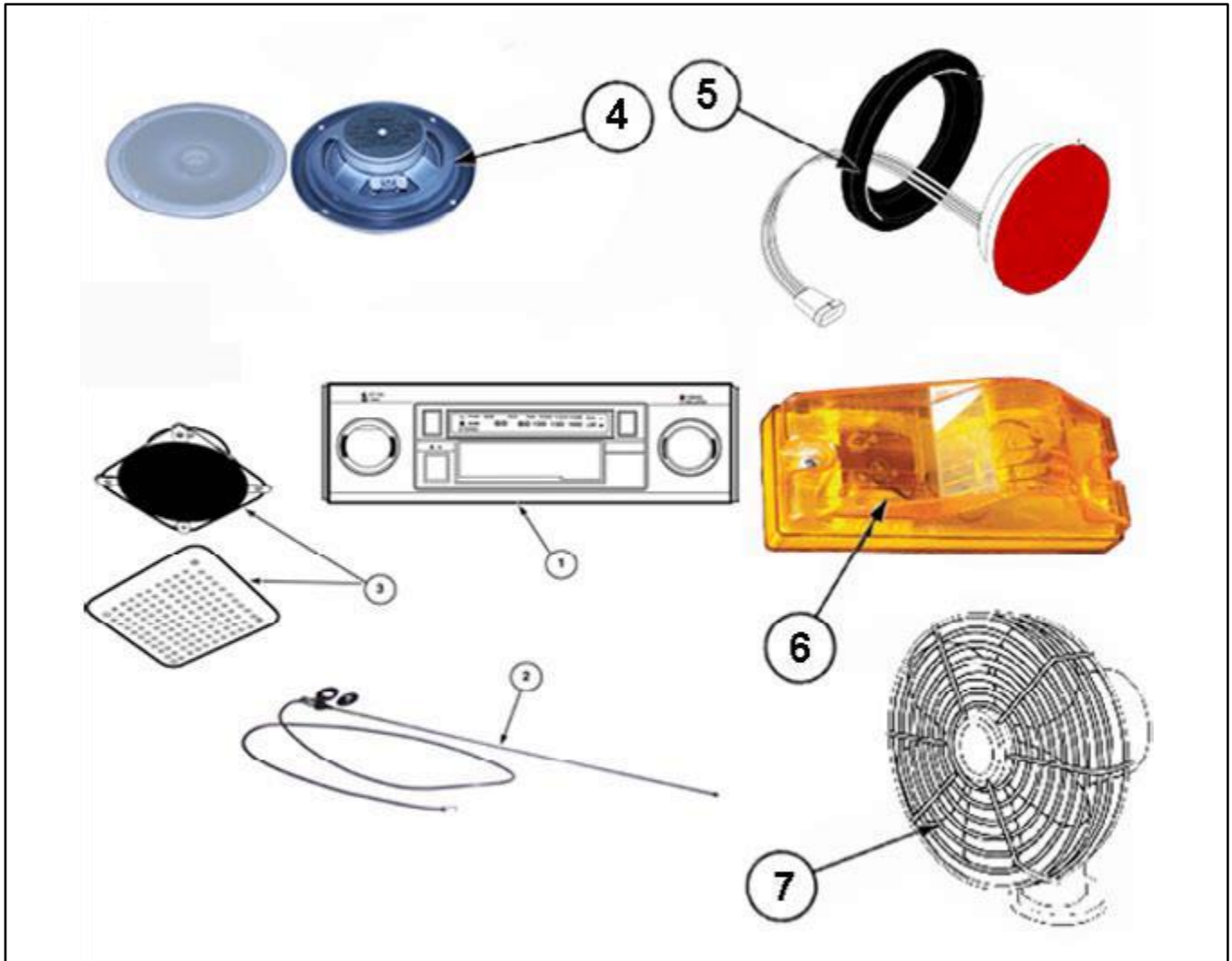
CH-000-900-5101E

ITEM PART NO. DESCRIPTION	QTY	ITEM PART NO. DESCRIPTION	QTY
CH-000-900-1822E AM/FM CASSETTE RADIO	1	CH-000-900-3102 SIDE DIRECTIONAL LIGHTS	1
01 3974152 RADIO, AM/FM / CASS W/PA	1	4 3971879 LIGHT, SEALED SIDE MARKER - AMBER	2
N/S 3974762 KIT, RADIO '09 FORD DASH INSTALL	1	N/S 3974514 REFLECTOR, RECTANGULAR TAPE AMBER	2
N/S 3972514 ANTENNA, AM/FM	1	N/S 3970068 REFLECTOR, RECTANGULAR TAPERED	2
N/S 3371332 BRACKET, RADIO	1	N/S 3971517 P-CLAMP, VINYL COATED STEEL 5/8	3
N/S 3971341 WIRE, SPEAKER BLUE/WHITE	7		
CH-000-900-2806 SPEAKERS, EXTRA EA. 5.5"	4	CH-000-900-3097 CIRCUIT BREAKERS (CH/CR)	1
02 3972268 SPEAKER, BLACK 5.5"	1	5 3943917 LIGHT, DOME WITHOUT SWITCH	1
N/S 3944485 TERMINAL, F INS FEM QK DISC 16-14	2	05 8570774 SCREW, 8 X 1 FLAT HEAD QUAD WOOD	6
		N/S 3944303 TERMINAL, F/INSU FM/QUIK DISC 12-10	1
		N/S 3944485 TERMINAL, F/INS FEM/QK DISC 16-14 .25	2
CH-000-900-3098 DOOR ACTUATED STEPWELL	1	N/S 3971539 CONNECTOR, AMP MATE-N-LOK PLUG 2-WA	1
03 3971448 LIGHT, COURTESY	1	N/S 3971543 CONNECTOR, AMP MATE-N-LOK CAP 2-WAY	1
N/S #193 BULB, 2-CP	1	N/S 3970472 BREAKER, 15 AMP 1771-1520	1
N/S 3970472 BREAKER, 15 AMP 1771-1520	1		



ELECTRIC PACKAGE 2 DELUXE SQUARE CH000025107 - CH-000-900-5107

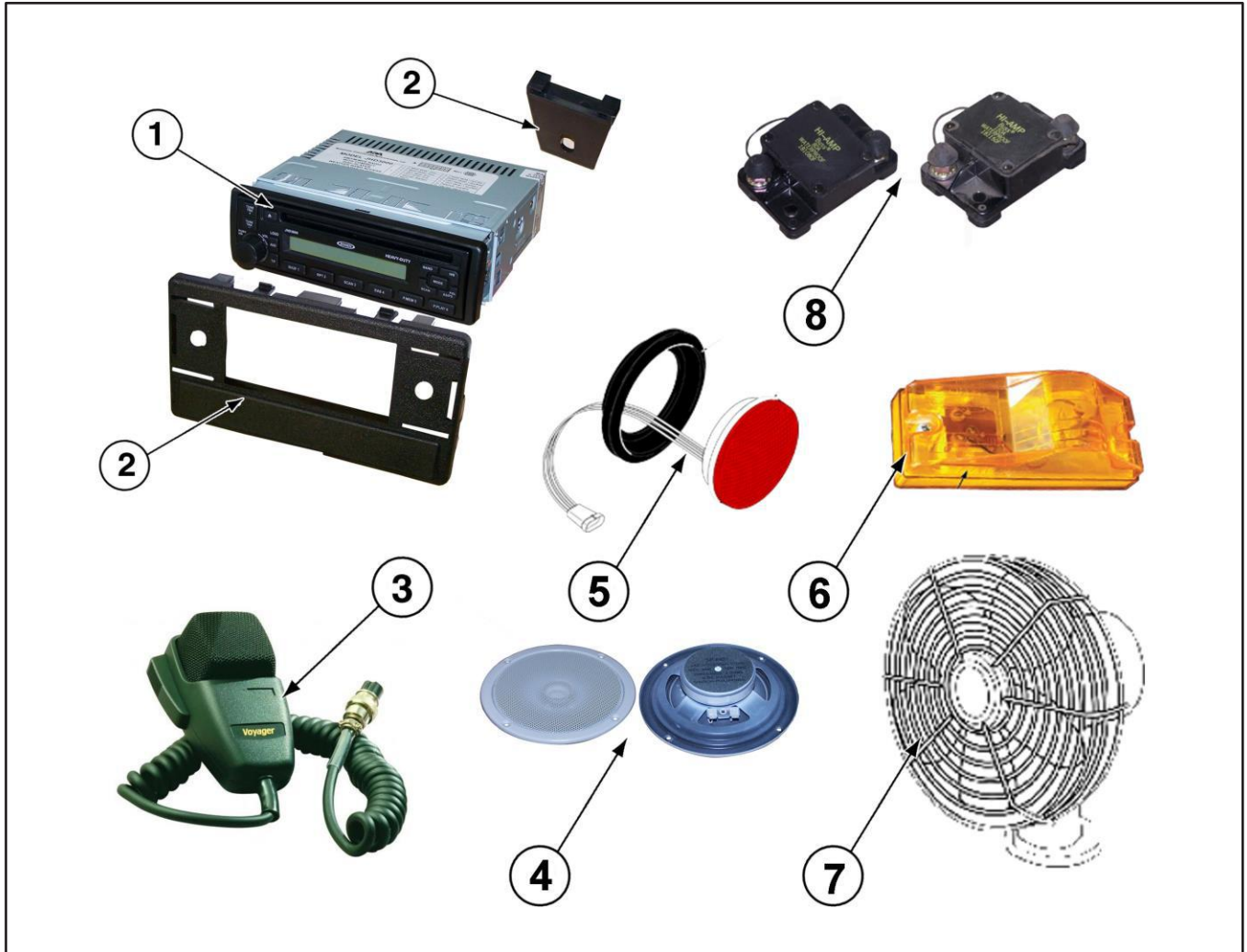
ITEM PART NO. DESCRIPTION	QTY	ITEM PART NO. DESCRIPTION	QTY
CH0000021822 AM/FM CASSETTE FRD	1	CX0000023102 SIDE DIRECTIONAL LIGHTS	1
01 3974512 RADIO, AM/FM/CASS W/PA	1	4 3971879 LIGHT, SEALED SIDE MARKER - AMBER	2
N/S 3972514 ANTENNA, AM/FM	1	N/S 3974514 REFLECTOR, RECTANGULAR TAPE AMBER	2
N/S 3371332 BRACKET, RADIO	1	N/S 3970068 REFLECTOR, RECTANGULAR TAPE RED	2
N/S 3971341 WIRE, SPEAKER BLUE/WHITE	7	N/S 3971517 P-CLAMP, VINYL COATED STEEL 5/8	3
CX0000022806 SPEAKERS, EXTRA EA. 5.5"	4	N/S 3674620 HARNESS, SIDE DIRECT P/S	1
02 3972268 SPEAKER, BLACK 5.5"	1	N/S 3974621 HARNESS, SIDE DIRECT D/S	1
N/S 3944485 TERMINAL, F INS FEM QK DISC 16-14	2	CH000FP23161 CIRCUIT BREAKERS	1
CH000FP22826 REAR CENTER BRAKE LIGHT	1	5 3970472 BREAKER, 15 AMP (SILVER)	8
03 3971446 LIGHT, STOP & TAIL ROUND	1	3971290 BREAKER, 20 AMP (SILVER)	1
N/S 3972919 GROMMET, 4" LIGHT	1		
N/S 3972919 HARNESS, REAR CNTR BRAKE LIGHT	1		



ELECTRIC PACKAGE 3 dELuxe

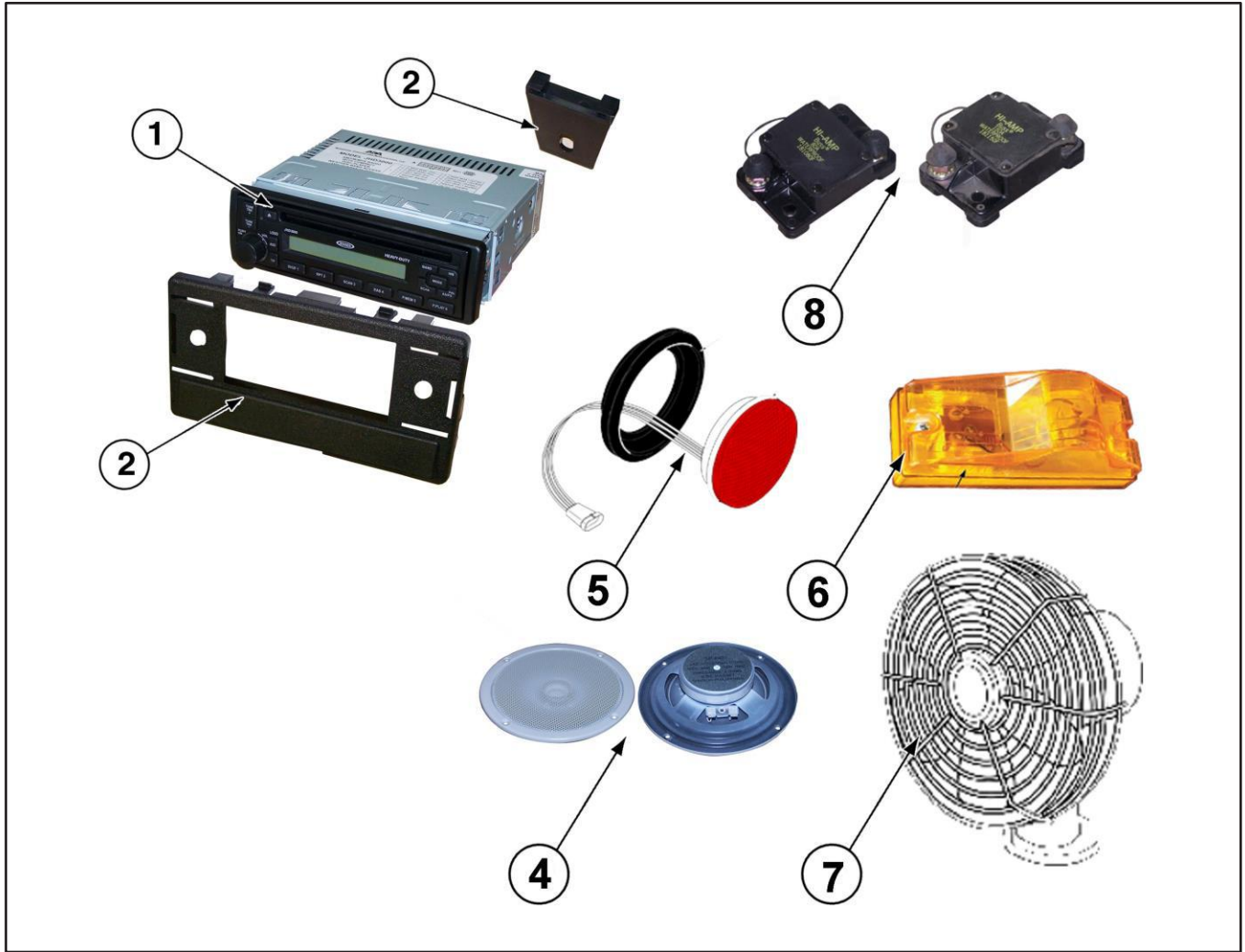
CH-000-900-5108 / CH0000025108

ITEM PART NO. DESCRIPTION	QTY	ITEM PART NO. DESCRIPTION	QTY
CH-000-900-1830 AM/FM CD PLAYER	1	CH0000023102 SIDE DIRECTIONAL LIGHTS	1
1 3974894 RADIO, PANASONIC W/PA	1	4 3971879 LIGHT, SEALED SIDE MARKER - AMBER	2
2 3974698 ADAPTER, ANTENNA	1	N/S 3974514 REFLECTOR, RECTANGULAR TAPE AMBER	2
03 3971332 BRACKET, RADIO '97	1	N/S 3970068 REFLECTOR, RECTANGULAR TAPERED	2
N/S 3974906 MOUNT, DASH FORD '09 RADIO	1	N/S 3971517 P-CLAMP, VINYL COATED STEEL 5/8	3
N/S 3971341 WIRE, SPEAKER BLUE/WHITE	7	CH0000022810 DEFROST FAN (EACH)	1
N/S 3970472 BREAKER, 15 AMP	1	5 6570129 FAN, DEFROSTER 2-SPEED BLACK	1
N/S 3944485 TERMINAL, F-INS FEM QK DISC 16-14	1	N/S 3973894 ACTUATOR, DEFROST FAN	1
CH0000022806 SPEAKERS, EXTRA EA. 5.5"	4	N/S 3973976 SWITCH, CARLING ON/OFF/ON	1
04 3972268 SPEAKER, BLACK 5.5"	1	N/S 3972901 HARNESS, DEFROST FAN D/S	1
N/S 3944485 TERMINAL, F INS FEM QK DISC 16-14	2	CH0000023161 CIRCUIT BREAKERS	1
CH0000022826 REAR CENTER BRAKE LIGHT	1	N/S 3972646 BREAKER, 10 AMP MANUAL RESET	6
3 3971446 LIGHT, STOP & TAIL ROUND	1	N/S 3972094 BREAKER, 15 AMP MANUAL RESET	6
N/S 3972986 GROMMET, 4" LIGHT	1	N/S 3972095 BREAKER, 20 AMP MANUAL RESET	1
N/S 3972919 HARNESS, REAR CNTR BRAKE LIGHT	1	N/S 3972645 BREAKER, 5 AMP MANUAL RESET	6



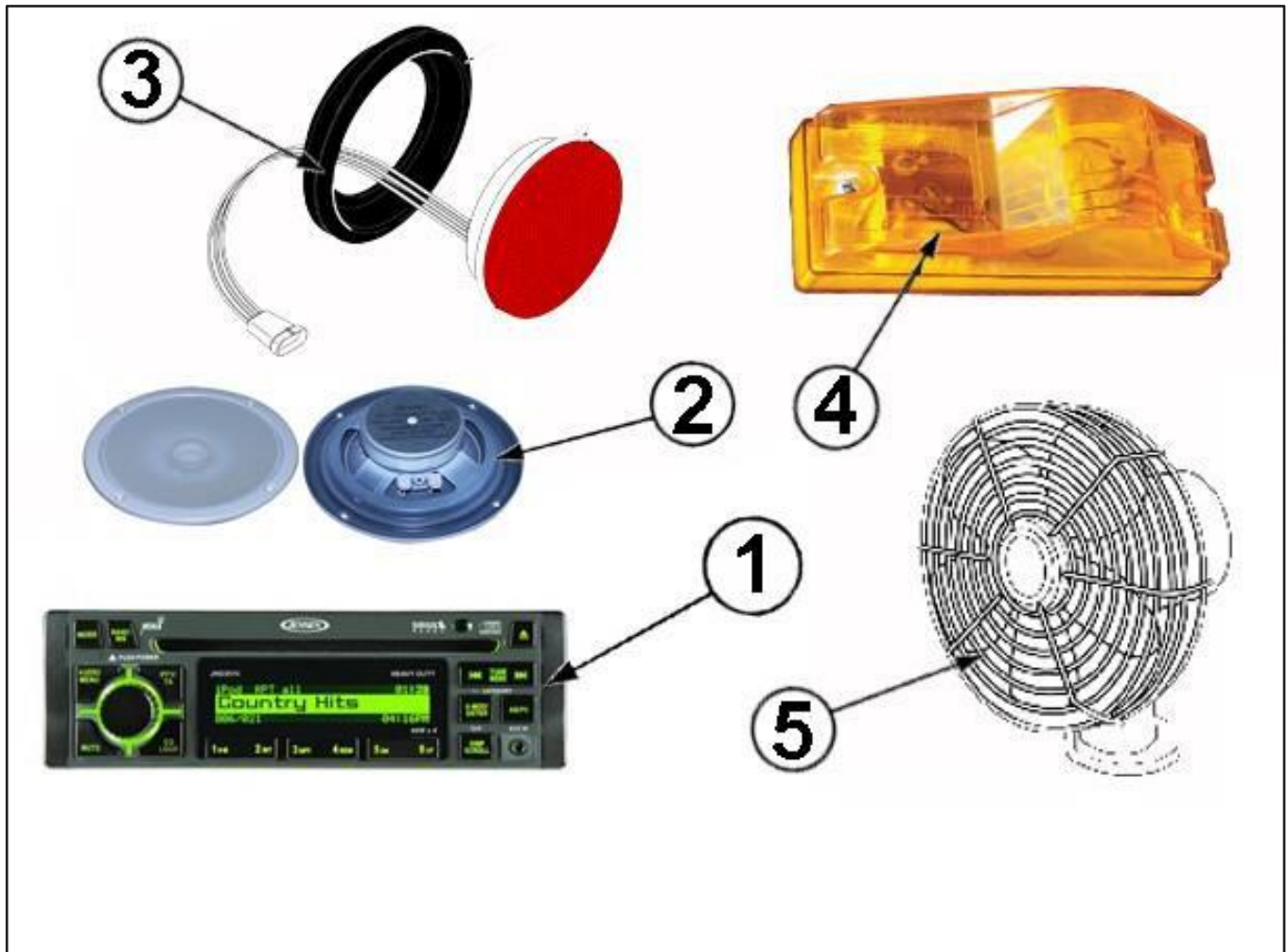
ELECTRIC PACKAGE 4 SQUARE CH000025109

ITEM PART NO. DESCRIPTION	QTY	ITEM PART NO. DESCRIPTION	QTY
CH000021342 AM/FM CD PAGE SYSTEM	1	CX000023102 SIDE DIRECTIONAL LIGHTS	1
1 3972833 AM/FM CD PLAYER	1	6 3971879 LIGHT, SEALED SIDE MARKER - AMBER	2
N/S 3972514 ANTENNA, AM/FM	1	N/S 3974514 REFLECTOR, RECTANGULAR TAPE AMBER	2
2 3371332 BRACKET, RADIO	1	N/S 3970068 REFLECTOR, RECTANGULAR TAPERED	2
N/S 3974047 HARNESS, EXTENSION 12"	1	N/S 3971517 P-CLAMP, VINYL COATED STEEL 5/8	3
3 3973039 MICROPHONE, HAND HELD	1		
CX000022806 SPEAKERS, EXTRA EA. 5.5"	4	CH000022810 DEFROST FAN (EACH)	1
04 3972268 SPEAKER, BLACK 5.5"	1	7 6570129 FAN, DEFROSTER 2-SPEED BLACK	1
N/S 3944485 TERMINAL, F INS FEM QK DISC 16-14	2	N/S 3973894 ACTUATOR, DEFROST FAN	1
		N/S 3973976 SWITCH, CARLING ON/OFF/ON	1
		N/S 3972901 HARNESS, DEFROST FAN D/S	1
CH000FP22826 REAR CENTER BRAKE LIGHT	1	CH000FP23161 CIRCUIT BREAKERS	1
05 3971446 LIGHT, STOP & TAIL ROUND	1	8 3970472 BREAKER, 15 AMP (SILVER)	8
N/S 3972986 GROMMET, 4" TAIL LIGHT	1	08 3971290 BREAKER, 20 AMP (SILVER)	1
N/S 3972919 HARNESS, REAR CNTR BRAKE LIGHT	1		



ELECTRIC PACKAGE 4 Round CH000025109

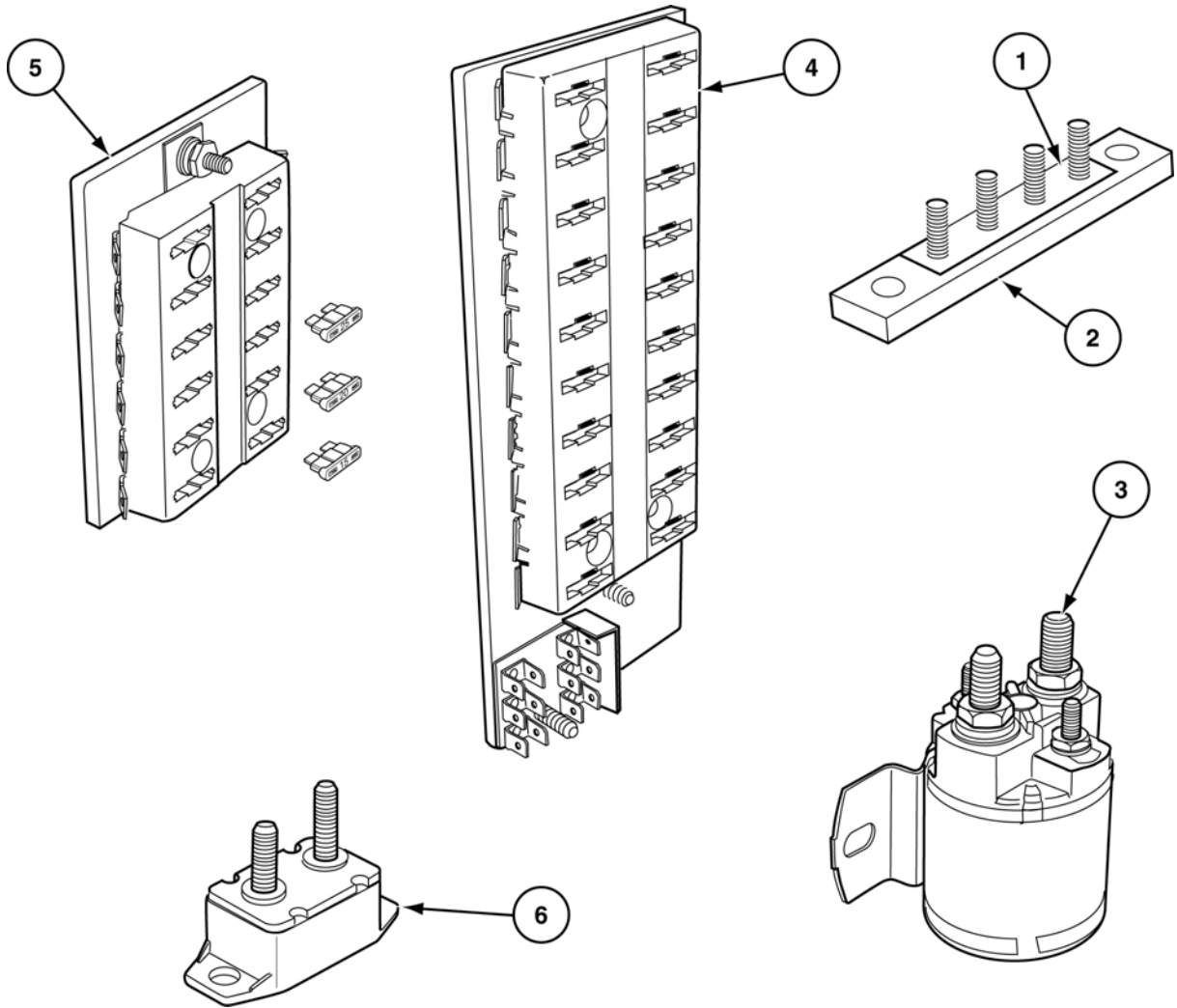
ITEM PART NO. DESCRIPTION	QTY	ITEM PART NO. DESCRIPTION	QTY
CH000021342 AM/FM CD PAGE SYSTEM	1	CX000023102 SIDE DIRECTIONAL LIGHTS	1
1 3971341 RADIO, PANASONIC W/PA	1	6 3971879 LIGHT, SEALED SIDE MARKER - AMBER	2
N/S 3974698 ADAPTER, ANTENNA	1	N/S 3974514 REFLECTOR, RECTANGULAR TAPE AMBER	2
2 3371332 BRACKET, RADIO	1	N/S 3970068 REFLECTOR, RECTANGULAR TAPERED	2
N/S 3974895 HARNESS, PANASONIC FM130 RADIO	1	N/S 3971517 P-CLAMP, VINYL COATED STEEL 5/8	3
3 NA NOT AVAILABLE IN THIS PKG	0		
CX000022806 SPEAKERS, EXTRA EA. 5.5"	4	CH000022810 DEFROST FAN (EACH)	1
04 3972268 SPEAKER, BLACK 5.5"	1	7 6570129 FAN, DEFROSTER 2-SPEED BLACK	1
N/S 3944485 TERMINAL, F INS FEM QK DISC 16-14	2	N/S 3973894 ACTUATOR, DEFROST FAN	1
		N/S 3973976 SWITCH, CARLING ON/OFF/ON	1
		N/S 3972901 HARNESS, DEFROST FAN D/S	1
CH00FP22826 REAR CENTER BRAKE LIGHT	1	CH00FP23161 CIRCUIT BREAKERS	1
05 3971446 LIGHT, STOP & TAIL ROUND	1	8 3970472 BREAKER, 15 AMP (SILVER)	8
N/S 3972986 GROMMET, 4" TAIL LIGHT	1	08 3971290 BREAKER, 20 AMP (SILVER)	1
N/S 3972919 HARNESS, REAR CNTR BRAKE LIGHT	1		



ELECTRIC PACKAGE 4

CH-000-900-5109

<u>ITEM PART NO. DESCRIPTION</u>	<u>QTY</u>	<u>ITEM PART NO. DESCRIPTION</u>	<u>QTY</u>
CH-000-900-5109 AM/FM CD PAGE SYSTEM	1	CH-000-900-3102 SIDE DIRECTIONAL LIGHTS	1
01 3972833 AM/FM CD PLAYER	1	4 3971879 LIGHT, SEALED SIDE MARKER - AMBER	2
N/S 3972514 ANTENNA, AM/FM	1	N/S 3974514 REFLECTOR, RECTANGULAR TAPE AMBER	2
N/S 3371332 BRACKET, RADIO	1	N/S 3971517 P-CLAMP, VINYL COATED STEEL 5/8	3
N/S 3974047 HARNESS, EXTENSION 12"	1		
N/S 3973039 MICROPHONE, HAND HELD	1	CH-000-900-2810 DEFROST FAN (EACH)	1
CH-000-900-2806 SPEAKERS, EXTRA EA. 5.5"	4	5 6570129 FAN, DEFROSTER 2-SPEED BLACK	1
02 3972268 SPEAKER, BLACK 5.5"	1	N/S 3973894 ACTUATOR, DEFROST FAN	1
N/S 3944485 TERMINAL, F INS FEM QK DISC 16-14	2	N/S 3973976 SWITCH, CARLING ON/OFF/ON	1
		N/S 3972901 HARNESS, DEFROST FAN D/S	1
CH-000-900-2826 REAR CENTER BRAKE LIGHT	1		
03 3971446 LIGHT, STOP & TAIL ROUND	1		
N/S 3971471 GROMMET, TAIL LIGHT RUBBER	1		
N/S 3972919 HARNESS, REAR CNTR BRAKE LIGHT	1		



FUSE BOX INSTALL

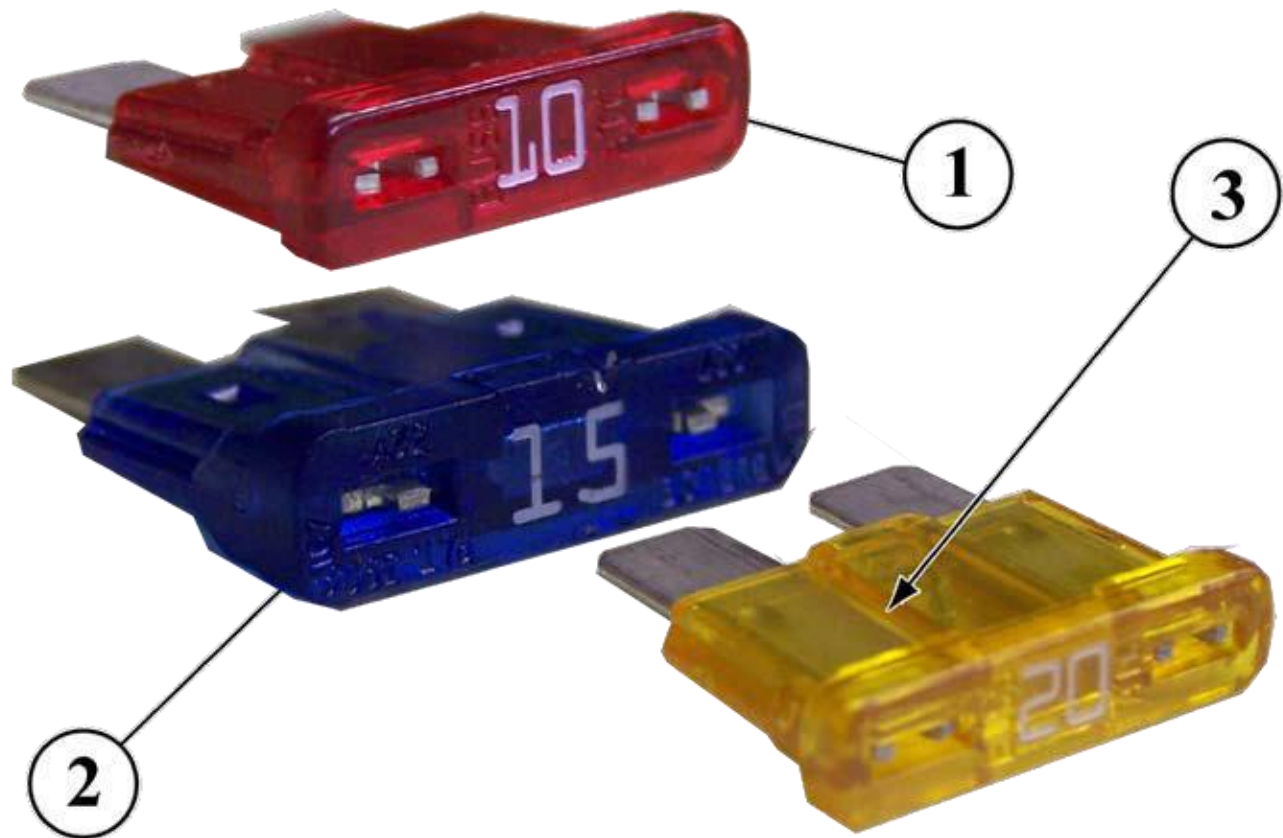
0405959

ITEM	PARTNO.	DESCRIPTION	QTY	ITEM	PARTNO.	DESCRIPTION	QTY
01	3971863	BLOCK, BUSS BAR 4 CIRCUIT	1				
02	3971862	BLOCK, TERMINAL 4 CIRCUIT	1				
03	3943859	SOLENOID, 4 POST	1				
04	3971974	BLOCK, FUSE (20 CIRCUIT USD)	1				
05	3970540	BLOCK, FUSE (12 CIRCUIT)	1				
06	3971280	BREAKER, 15 AMP RESET BREAKER	1				
N/S	0405958	PANEL, FUSE LAMINATED PLYWOOD ASSEMBLY	1				



Spare FuSe Kit 0408335

ITEM	PART NO.	DESCRIPTION	QTY	ITEM	PART NO.	DESCRIPTION	QTY
01	0416798	Spare Fuse Kit	1				
	3971286	Fuse, 15 Amp ATO Blade Type	3				
	3971287	Fuse, 20 Amp ATO Blade Type	1				
	3971288	Fuse, 30 Amp ATO Blade Type	1				
	3971291	Fuse, 20 Amp MAXI 15505	1				
	3971292	Fuse, 30 Amp MAXI 15506	1				
	3971293	Fuse, 40 Amp MAXI 15507	1				
	3971294	Fuse, 50 Amp MAXI 15508	1				
	3971295	Fuse, 60 Amp MAXI 15509	1				
	3972018	Fuse, 5 Amp Mini	1				
	3972019	Fuse, 10 Amp, Mini	1				
	3972020	Fuse, 15 Amp Mini	1				
	3972021	Fuse, 20 Amp Mini	1				
	3972022	Fuse, 30 Amp Mini	1				



circuit FuSES ch/cr

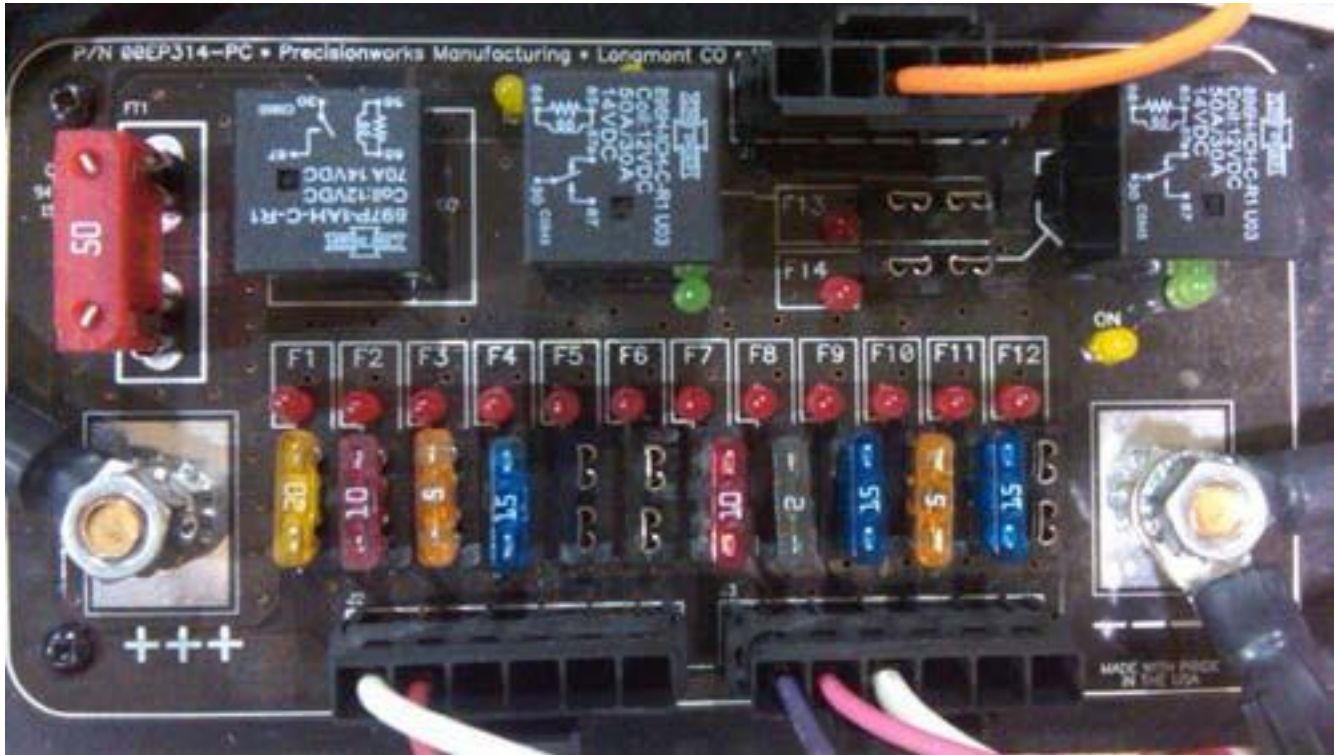
ch-000-999-S3161

<i>ITEM PART NO. DESCRIPTION</i>	<i>QTY</i>	<i>ITEM PART NO. DESCRIPTION</i>	<i>QTY</i>
1 3971285 Fuse, 10 AMP ATO Blade Type	1		
2 3971286 Fuse, 15 AMP ATO Blade Type	5		
3 3971287 Fuse, 20 AMP ATO Blade Type	3		
N/S 3971581 Terminal, QKDisc/Fem Non-Ins 16-14	2		



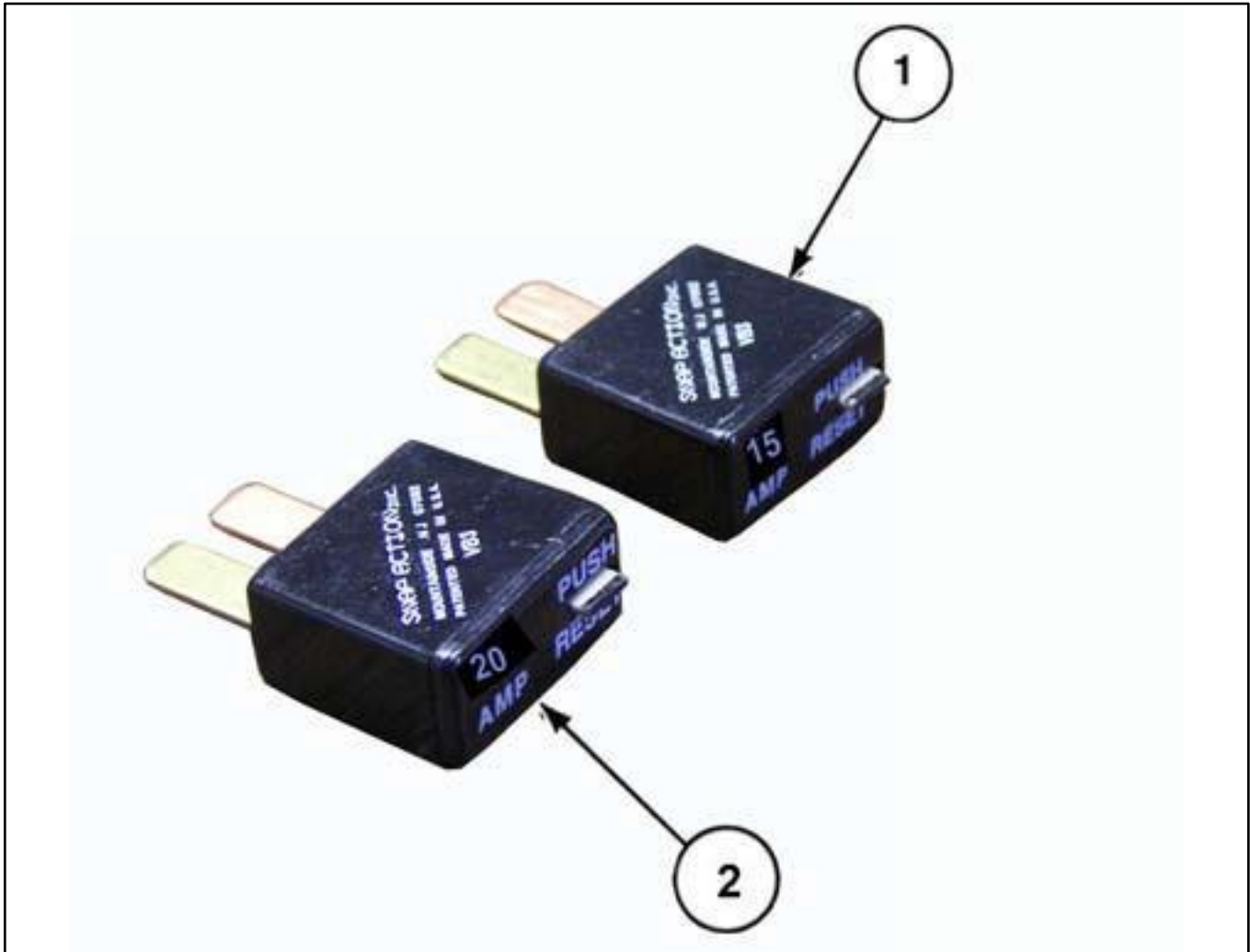
circuit breakers - all assemblies -3161 / 23161

<u>ITEM</u> <u>PART NO.</u> <u>DESCRIPTION</u>	<u>QTY</u>	<u>ITEM</u> <u>PART NO.</u> <u>DESCRIPTION</u>	<u>QTY</u>
01 3970472 Breaker, 15 AMP 1771-1520	AR	ALSO INCLUDES THE FOLLOWING ASSEMBLIES: CH000FF23161, CH000FP23161, CH000GT23161, CH000GU23161, DF000GO23161,DF000ND23161, CH-000-900-23161, CH-000-900-3161, CT-000-998-3161	
02 3971290 Breaker, 20 AMP 1771-2028	AR		



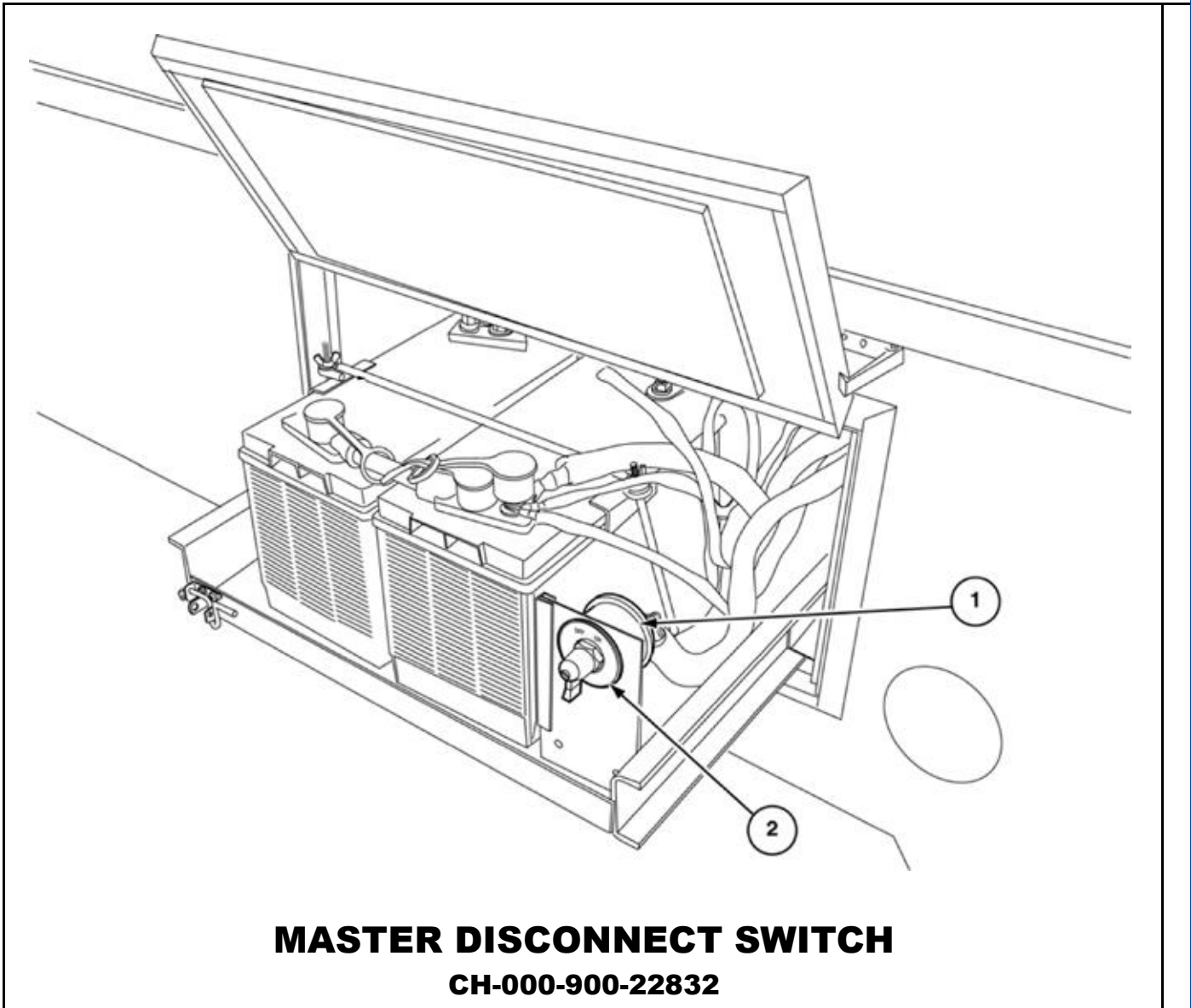
Auxiliary Power Distribution Center 3975291

<i>ITEM</i>	<i>PART NO.</i>	<i>DESCRIPTION</i>	<i>QTY</i>	<i>ITEM</i>	<i>PART NO.</i>	<i>DESCRIPTION</i>	<i>QTY</i>
00	3975291	AUX POWER DISTRIBUTION CENTER	1				

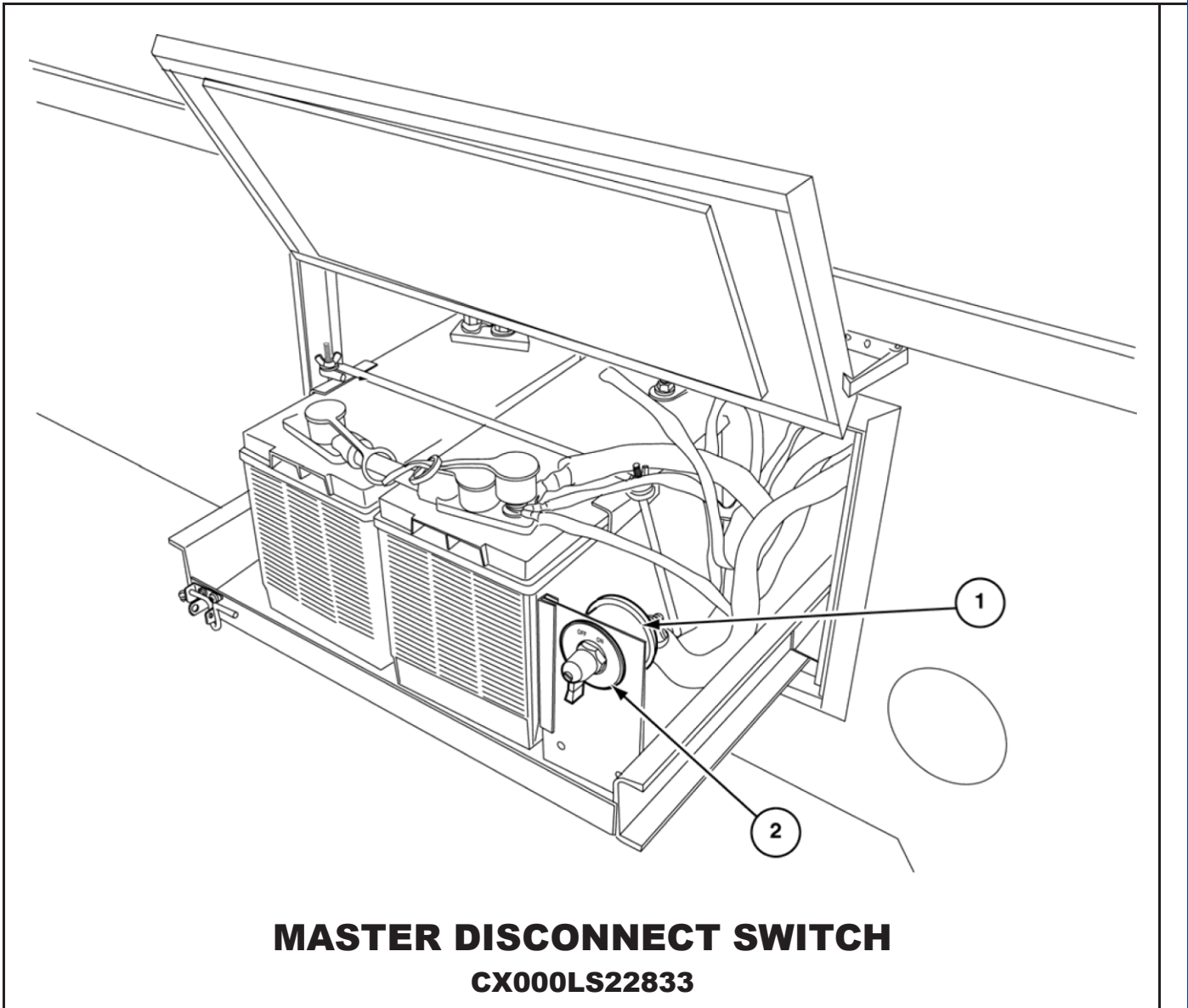


circuit breakers - MaNuaL reset
DF000Gi23161 - DF000Gy23161 - DF000NF23161

<i>ITEM</i>	<i>PART NO.</i>	<i>DESCRIPTION</i>	<i>QTY</i>	<i>ITEM</i>	<i>PART NO.</i>	<i>DESCRIPTION</i>	<i>QTY</i>
1	3972094	Breaker, 15 AMP Manual Reset ETA	6	INCLUDES THE FOLLOWING ASSEMBLIES:			
2	3972095	Breaker, 20 AMP Manual Reset ETA	1	DF000GI23161, DF000GY23161, DF000NF23161,			
NS	3972646	Breaker, 10 AMP Manual Reset ETA	6	AM000GT23161, CT000ME23161,			
NS	3972645	Breaker, 5 AMP Manual Reset	6				

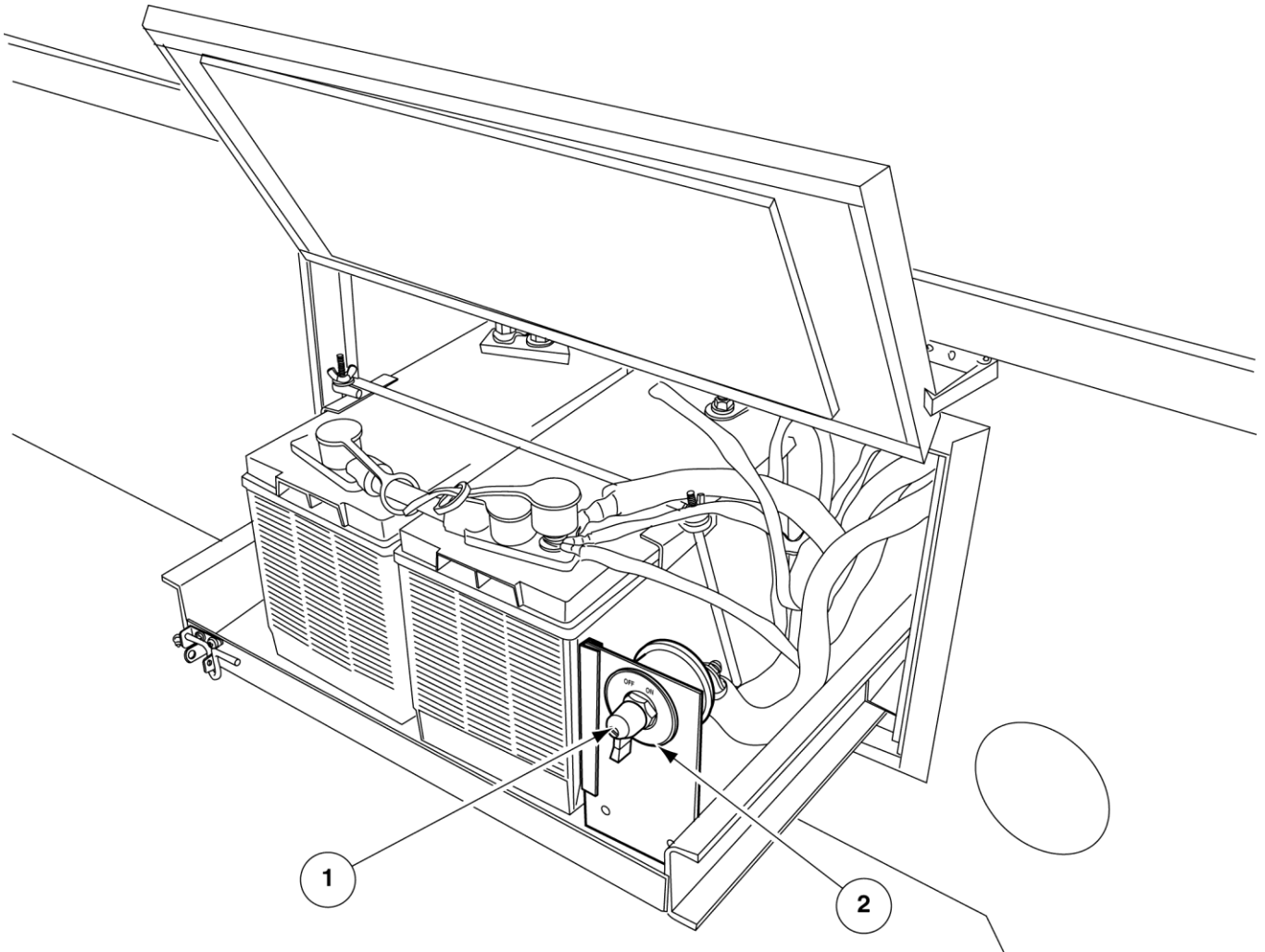


<i>ITEM</i>	<i>PART NO.</i>	<i>DESCRIPTION</i>	<i>QTY</i>	<i>ITEM</i>	<i>PART NO.</i>	<i>DESCRIPTION</i>	<i>QTY</i>
1	3971754	Switch, Master Disconnect	1				
2	8942609	Face Plate, Disconnect Switch	1				



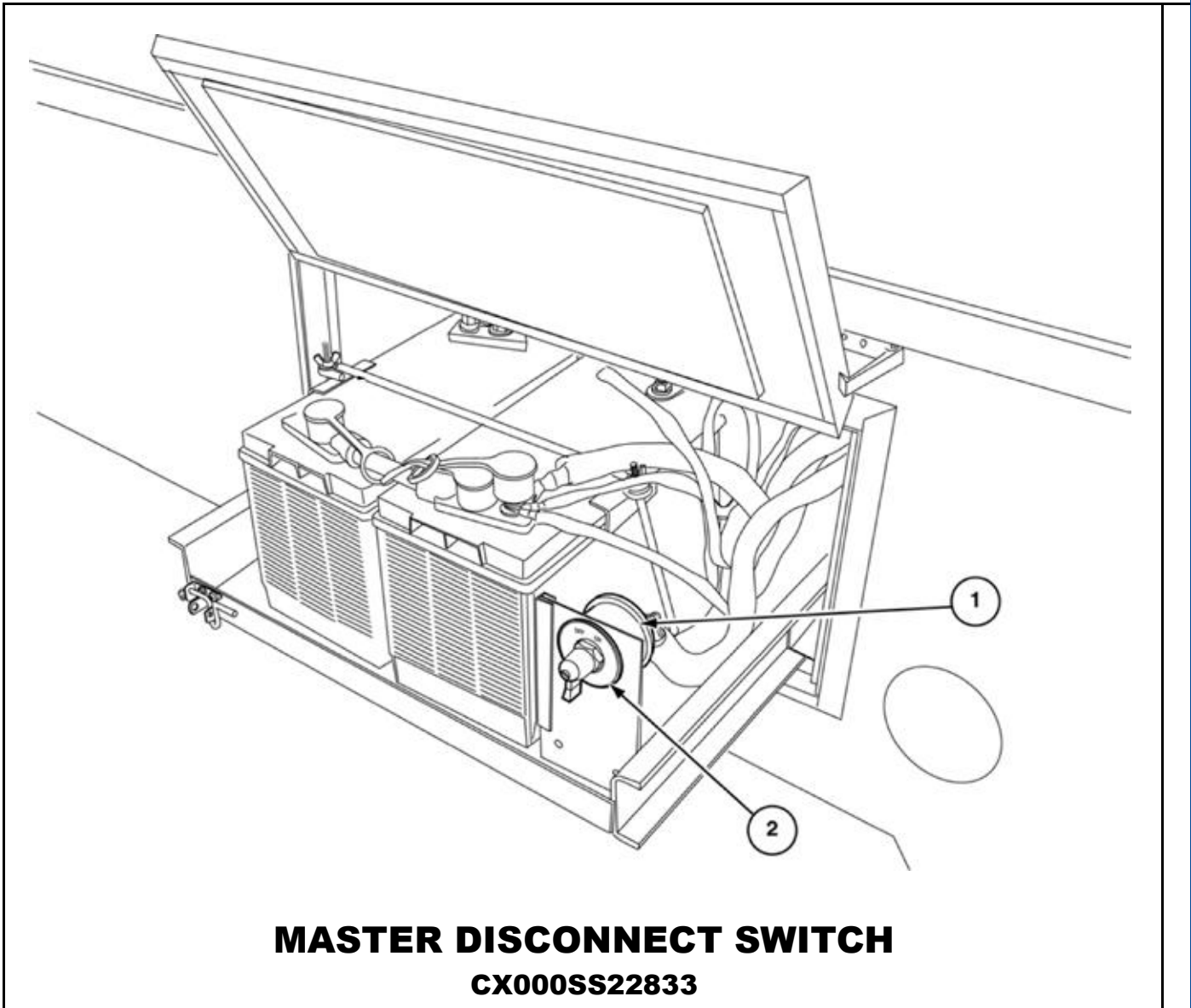
**MASTER DISCONNECT SWITCH
CX000LS22833**

<i>ITEM</i>	<i>PART NO.</i>	<i>DESCRIPTION</i>	<i>QTY</i>	<i>ITEM</i>	<i>PART NO.</i>	<i>DESCRIPTION</i>	<i>QTY</i>
1	3973353	Switch, Master Dis-Long Shaft	1				
2	8942609	Face Plate, Disconnect Switch	1				

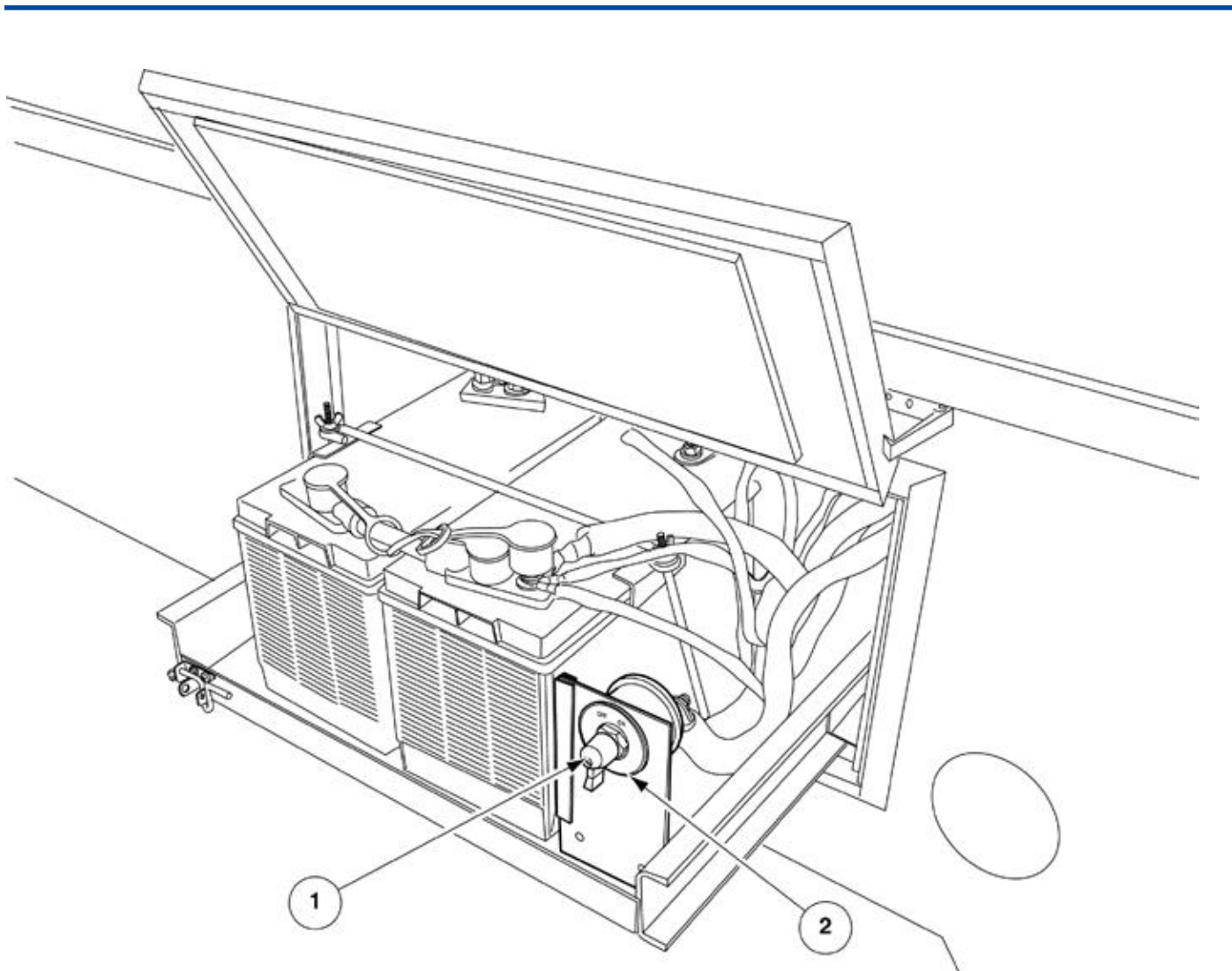


Master Disconnect switch, install ch-000-900-2833S (LONG)

<i>ITEM PART NO. DESCRIPTION</i>	<i>QTY</i>	<i>ITEM PART NO. DESCRIPTION</i>	<i>QTY</i>
1 3973353 Switch, Master Disconnect Long Shaft	1		
2 8942609 Face Plate, Disonnect Switch	1		

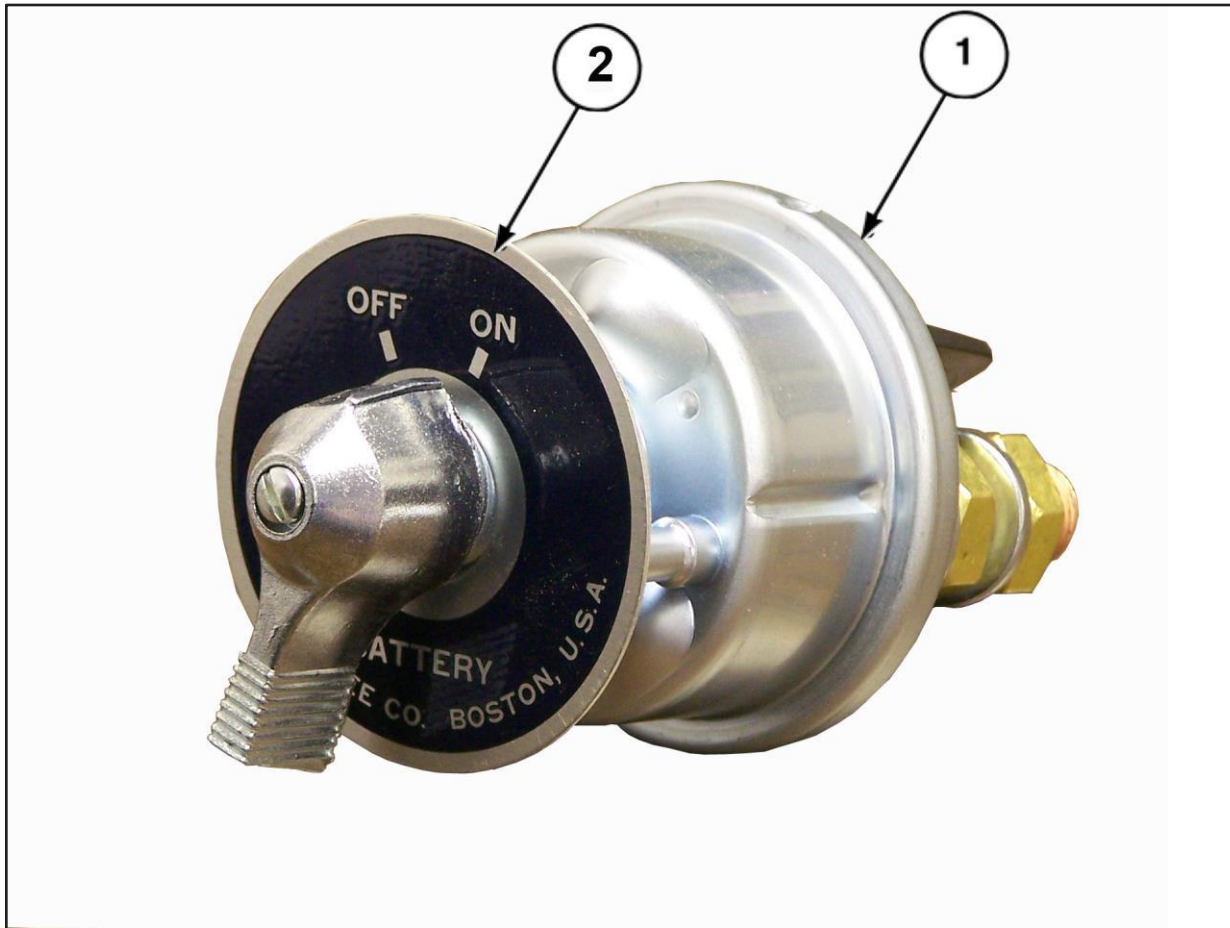


<i>ITEM</i>	<i>PART NO.</i>	<i>DESCRIPTION</i>	<i>QTY</i>	<i>ITEM</i>	<i>PART NO.</i>	<i>DESCRIPTION</i>	<i>QTY</i>
1	3971754	Switch, Master Disconnect	1				
2	8942609	Face Plate, Disconnect Switch	1				



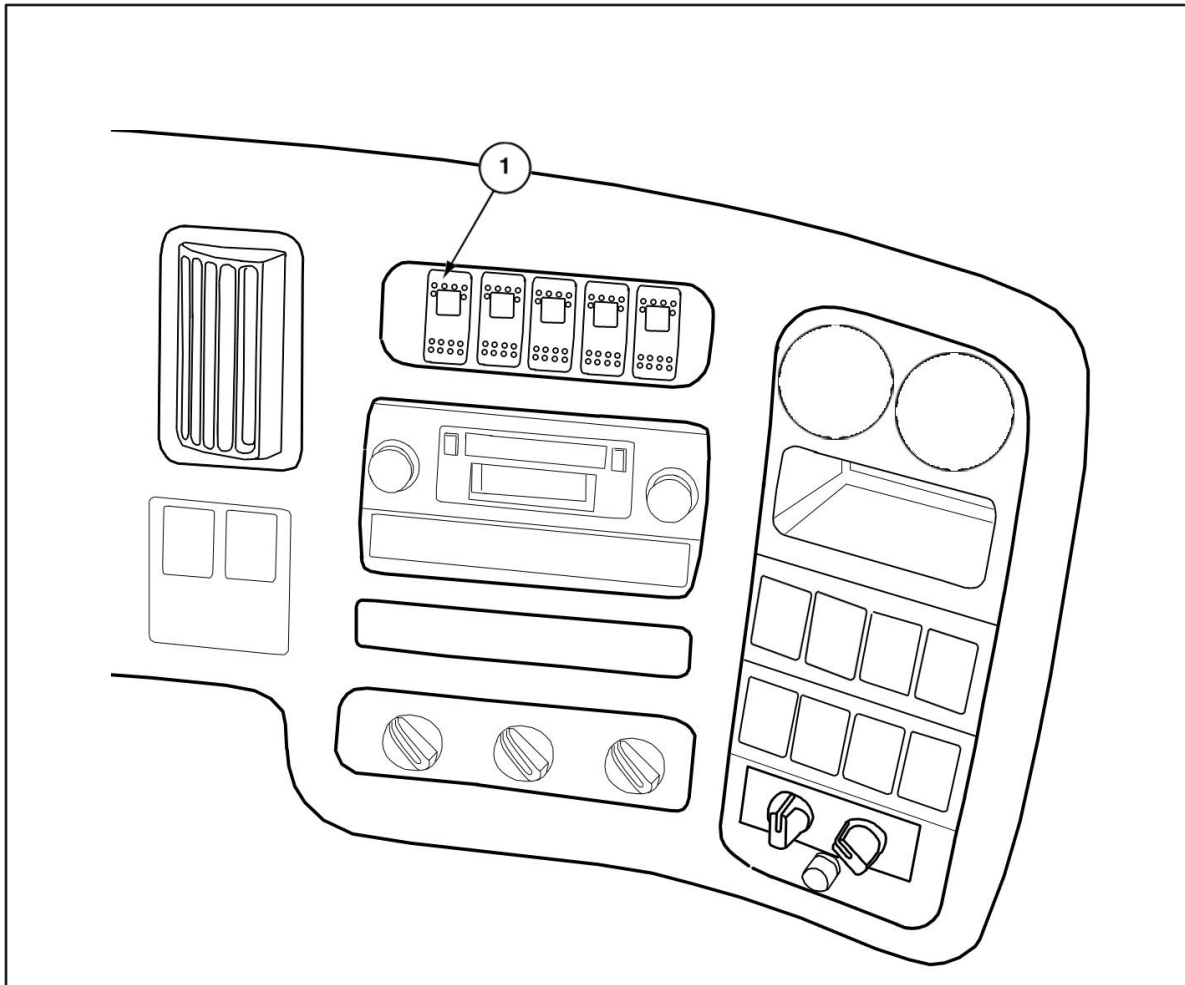
Master Disconnect switch, install CH-000-900-2833 (SHORT)

<i>ITEM PART NO. DESCRIPTION</i>	<i>QTY</i>	<i>ITEM PART NO. DESCRIPTION</i>	<i>QTY</i>
1 3971754 Switch, Master Disconnect	1		
2 8942609 Face Plate, Disonnect Switch	1		



**master disconnect switch (gmt560-dsl)
0414634 (reV-a)**

<i>ITEM PART NO. DESCRIPTION</i>	<i>QTY</i>	<i>ITEM PART NO. DESCRIPTION</i>	<i>QTY</i>
1 3973495 Switch, Master Disconnect GM	1		
2 8942609 Plate, Face for Disconnect	1		
NS 0414759 Harness, InPower Battery Box GM	1		
NS 3973520 Terminal, Ring 1/2" x 3/0 GA.	3		
NS 3973519 Stud, Isolated Junction 1/2"	2		
NS 3971851 Terminal, Ring Non-Ins 2/0GA 1/4"	2		



mMASTER ACCESSORY SWITCH

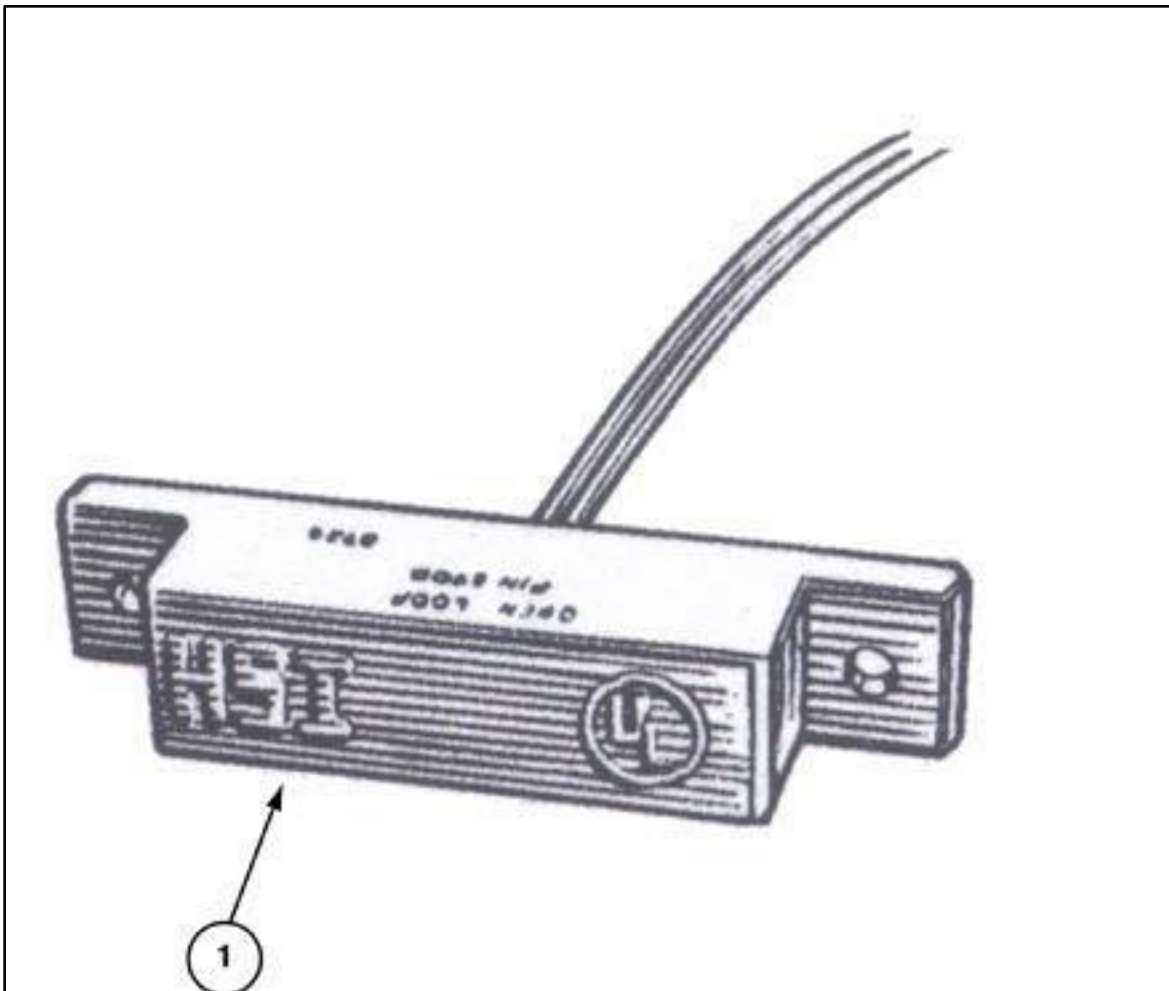
Ch-000-900-5308

ITEM	PART NO.	DESCRIPTION	QTY	ITEM	PART NO.	DESCRIPTION	QTY
01	3973881	Switch, Carling On/Off	1				
NS	3970043	Lens, Master 4171-603 Blue	1				
NS	3971741	Wire, 14GA GXL TAN (UnMarked)	AR				



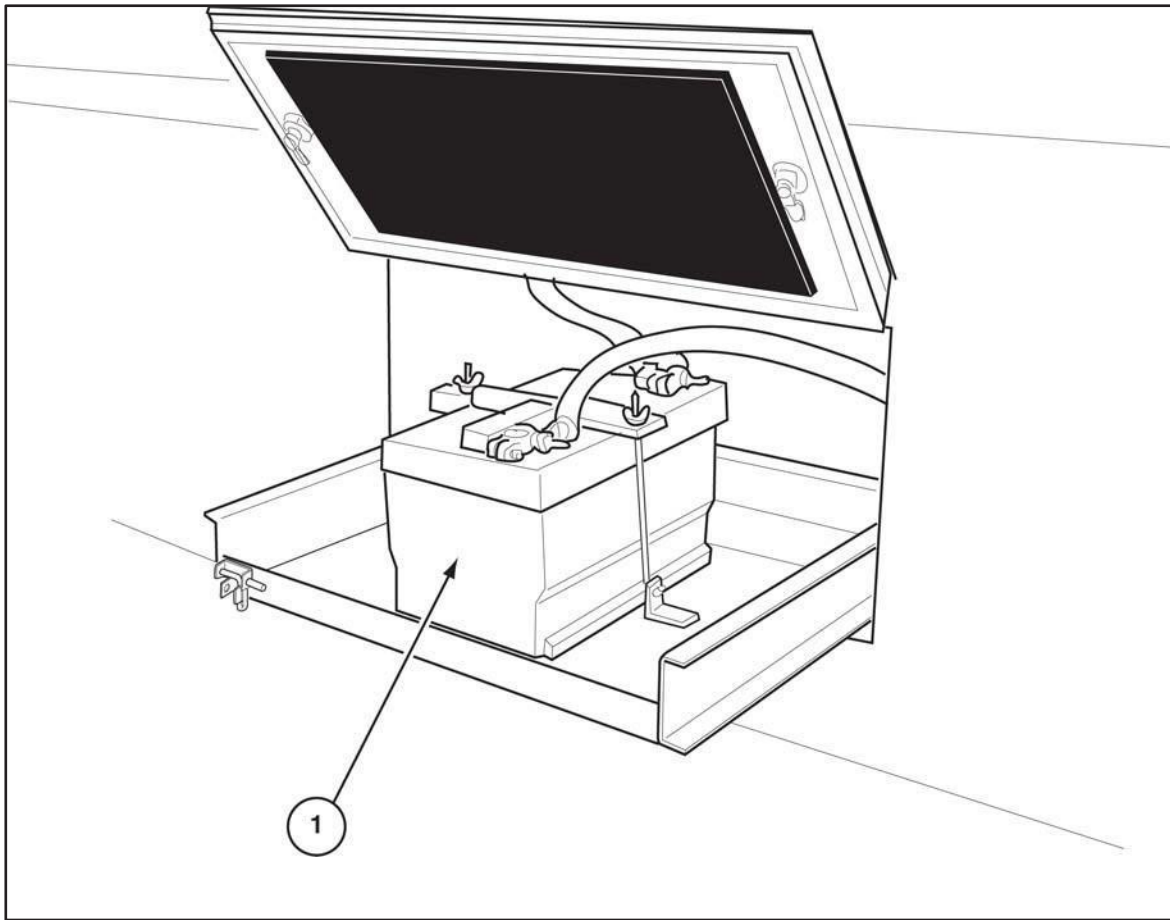
IIFT MASTER SWITCH W/ INDICATOR LIGHT
CX-000-998-40371 / 0401982 /CX0000024037

<i>ITEM PART NO.</i>	<i>DESCRIPTION</i>	<i>QTY</i>	<i>ITEM PART NO.</i>	<i>DESCRIPTION</i>	<i>QTY</i>
1	3974501 LIGHT, INDICATOR GREEN	1			
2	3973881 SWITCH, CARLING ON/OFF	1			
N/S	3947066 CONNECTOR, RT 10-4848	1			
N/S	3970183 RECEPTICAL, FAST-ON #187	4			



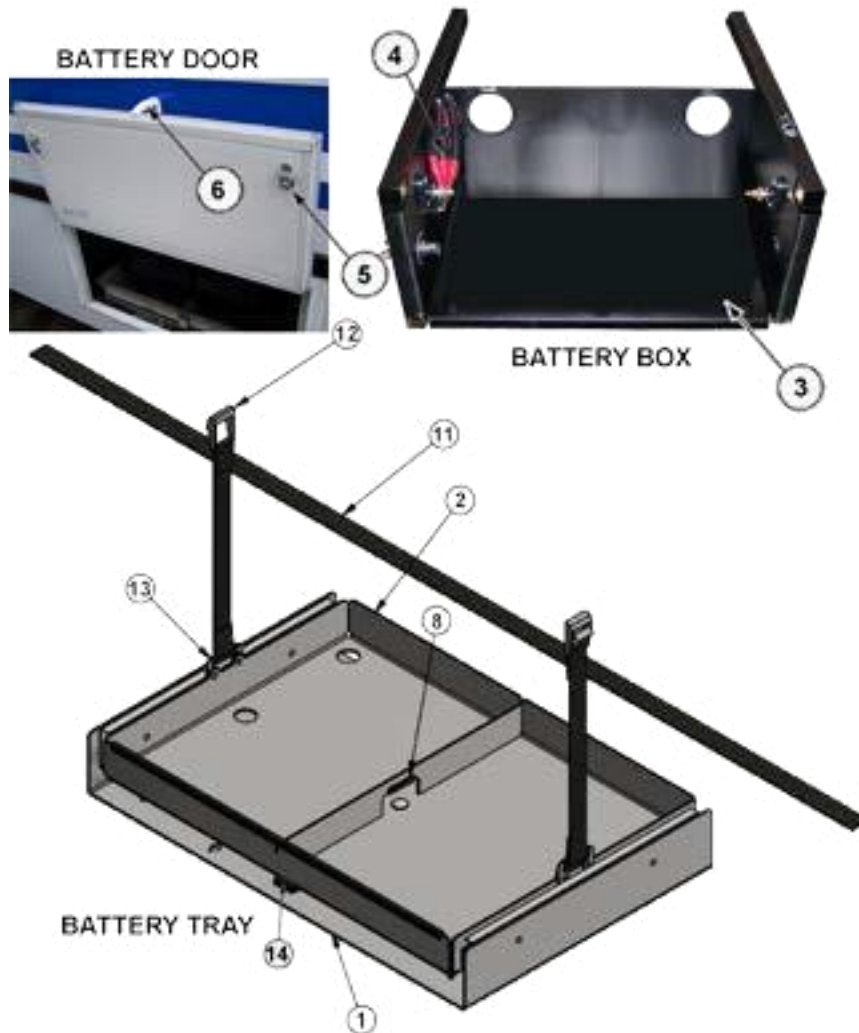
**EXIT WINDOW SWITCH
CX000072816 (CORRECTED 8/2013)**

<i>ITEM PART NO. DESCRIPTION</i>	<i>QTY</i>	<i>ITEM PART NO. DESCRIPTION</i>	<i>QTY</i>
01 3973049 Switch, Magnetic	1		
NS 3973050 Actuator, Magnetic	1		



battery 8d CH/Cr assembly
CX0000022967

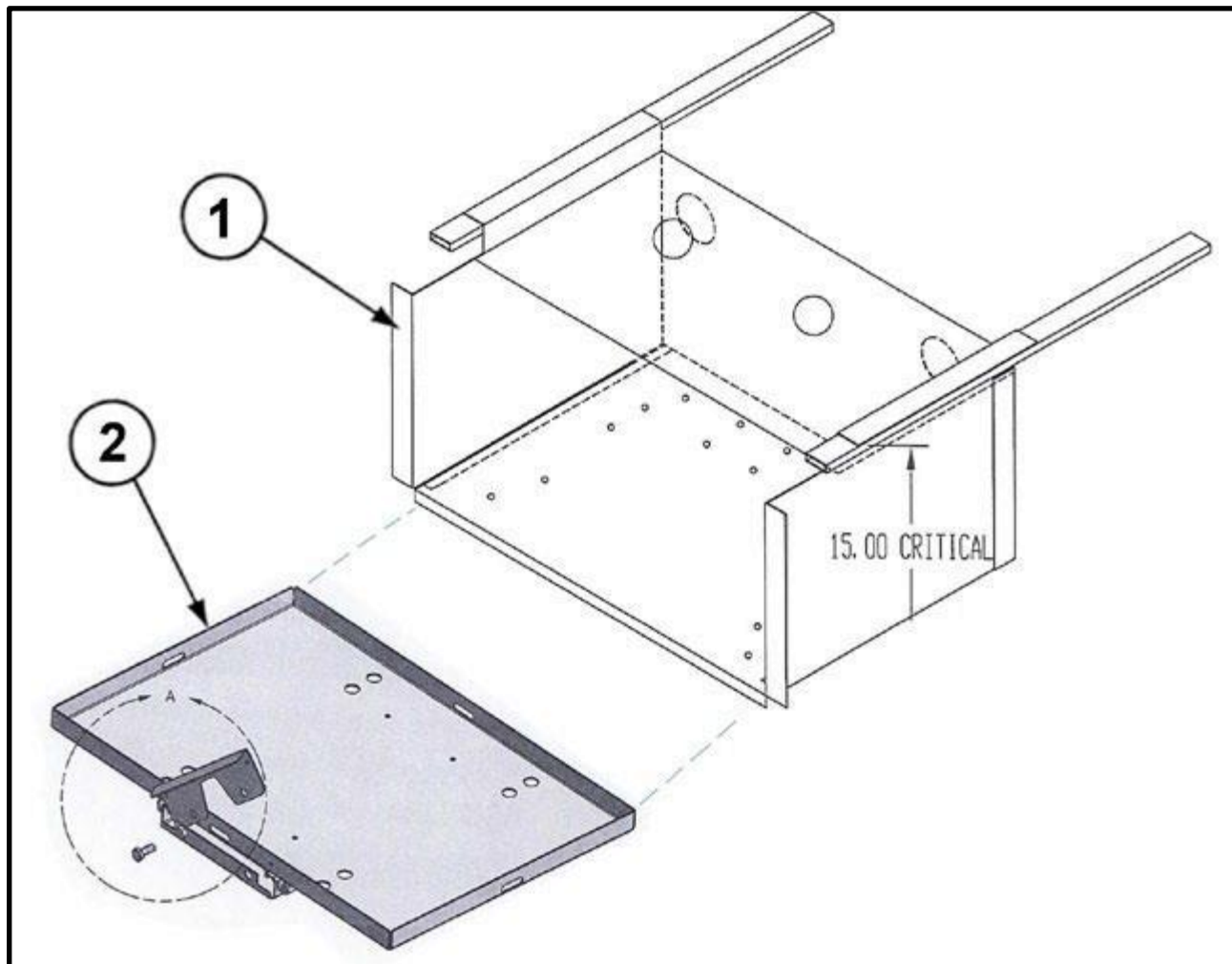
<i>ITEM PART NO. DESCRIPTION</i>	<i>QTY</i>	<i>ITEM PART NO. DESCRIPTION</i>	<i>QTY</i>
01 3945813 Battery, 8D	1		
NS 3946828 Loom, 1" ID Nylon Split Hi Temp	1		
NS 3972411 Terminal, Battery End Neg.	1		
NS 3972417 Terminal, Battery End Pos.	1		



BATTERY BOX W/SS TRAY

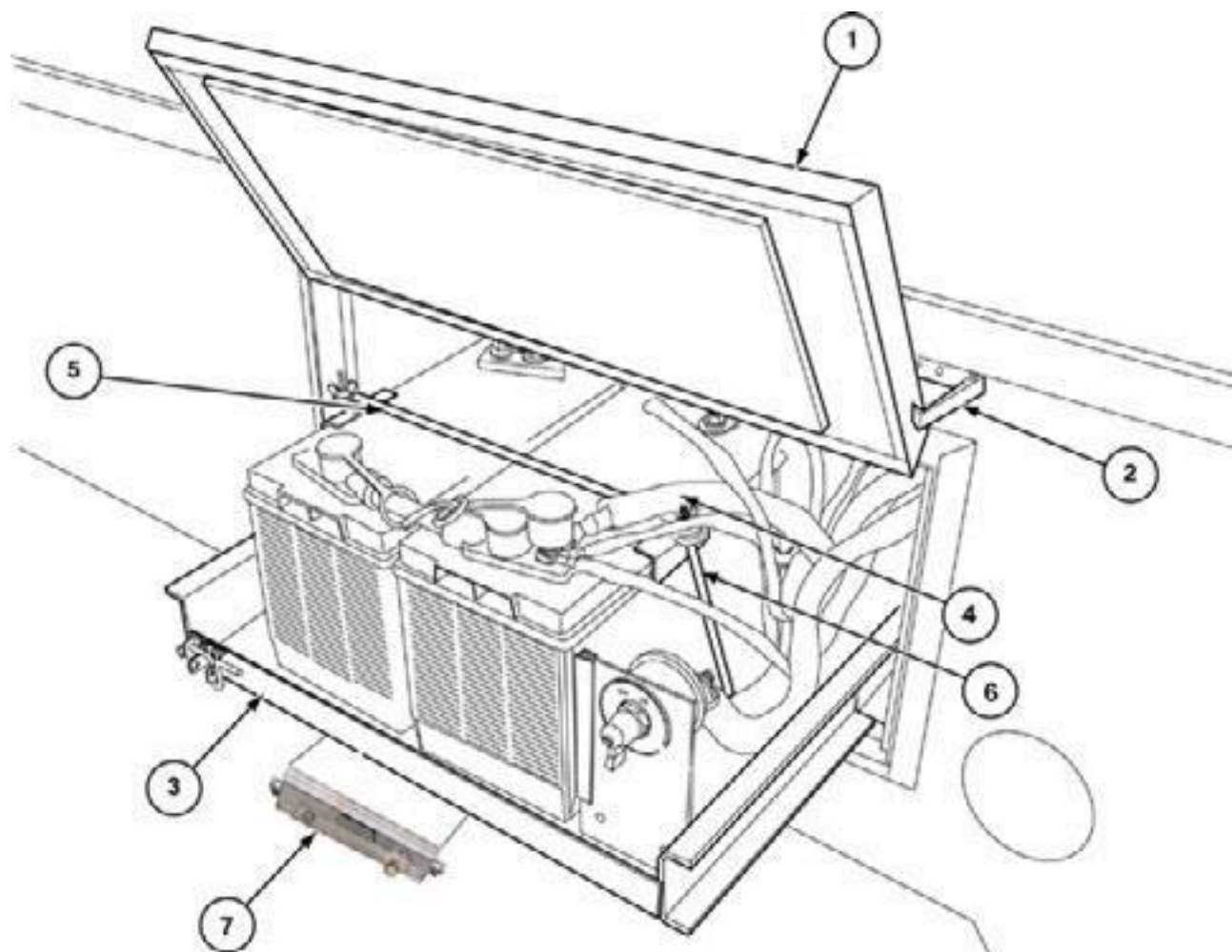
0420978 (REV-A) / 0421022

ITEM	PART NO.	DESCRIPTION	QTY	ITEM	PART NO.	DESCRIPTION	QTY
1	0379825	Tray, Battery S/S L&W	1	3	0377419	Box, Battery I-II-IV 2002 Assy Power	1
2	1025291	Battery Tray Base	1	4	3971324	Cable, Battery 2GA Black SGX	10
3	1025288	Battery Tray	1	5	5370598	Door, Battery 13.25 x 25.75 Three Sided	1
14	1025303	Latch, Battery Tray (Welded)	1	6	4941688	Holder, Door 1" White Plastic	1
	0199374	Molding, 9/32" Black Cut to 20"	1	NS	3940905	Block, Terminal single Pole	6
	0199252	Spring, Extension .375 x .0348 x 1.75	1	NS	3971283	Breaker, 80 AMP Automatic Reset	1
08	0199374	Molding, 9/32" Black, Cut to 2"	3	NS	0375267	Plate, Battery Isolator Support Ford	1
13	1021991	Laser, Battery Tray Strap Tab SS 12GA	2	NS	0417434	Install, Battery Cable 4/0 Welding	1
12	1023621	Strap, 11" W/Loop & Buckle Assembly	2	NS	0417806	Holddown, Battery W/Carriage Bolts	1
11	1021248	Strap, Battery Tray, Cut 50"	1	NS	0348250	Steel, Flat 11GA x 3 x 10'	.1
NS	0122019	Drawer Slide, 14" Full Ext. 250#	2	NS	4342879	Steel, Coil .021 x 36.0 Painted	6
NS	0169000	Cap, Vinyl 1" Black (Covers end of latch)	1				



ENCLOSED battery bOx w/tray S/S
0419167-PDOt / 0418307

ITEM	PART NO.	DESCRIPTION	QTY	ITEM	PART NO.	DESCRIPTION	QTY
		<i>0419167-PDOT BOX, BATTERY S/S ENCLOSED ASSY FL</i>				<i>0418307 INSTALL, BATTERY TRAY S/S PT-2</i>	
01	0379395	BOX, BATTERY 15 x 26 S/S ENCLOSED	1	02	0379088	TRAY, BATTERY S/S PT-2 SS	1
NS	5370598	DOOR, BATTERY (13.25 x 25.75)	1		8571504	PIN, CLEVIS 3/16 x 19/32 W/29/64" LE	1
NS	4941688	HOLDER, DOOR 1"(Picture does not represent part)	1		8571505	PIN, HITCH CLIP HP223	1
NS	3371421	COVER, SCREW ELIXIR WHITE (200 PC BOX)	1.5		8570384	BOLT, HEX 1/4-20 x 1" S/S	4
NS	8571562	FASTENER, 3/16 x .040-.354 KLAMPTITE	2		8570915	WASHER, FLAT 1/4" STAINLESS STEEL	8
NS	0375267	PLATE, BATTERY ISOLATOR SUPPORT	1		8571502	NUT, HEX 1/4-20 NYLOC STAINLESS STEEL	4



INSTALL bATTERY box w/TrAy F550G 0419312

ITEM	PART NO.	DESCRIPTION	QTY	ITEM	PART NO.	DESCRIPTION	QTY
	0419312	BOX, BATTERY TRAY BLACK POWDER COAT F550G		NS	0375267	PLATE, BATTERY ISOLATOR SUPPORT FORD	1
00	0377419	BOX, BATTERY ASSY I-II-IV '02 POWDER COATED	1	NS	6975394	POST, THREADED CONVERSION (2 Per Set)	1
	3974940	BATTERY, GROUP 31 725CCA	2	NS	0379524	BRACKET, ADAPTER BATTERY FORD F-550	1
01	5370598	DOOR, BATTERY (13.25 x 25.75)	1	0418309	INSTALL, BATTERY TRAY POWDER COATED		
02	4941688	HOLDER, DOOR (Picture does not represent part)	1	03	0379013	TRAY, BATTERY S/S POWDER COAT BLACK	1
NS	3973519	STUD, ISOLATED JUNCTION 1/2"	3		8571504	PIN, CLEVIS 3/16 x 19/32 W/29/64" LE	1
NS	0348250	STEEL, FLAT 11GA x 3 x 10'	AR		8571505	PIN, HITCH CLIP HP223	1
NS	3971628	TERMINAL, RING NON-INS 2/0 3/8"	4	0417806	HOLDDOWN, BATTERY W/CARRIAGE BOLTS		
	3971626	TERMINAL, BATTERY POST NEG 2GA	2	05	0379090	BRACKET, BATTERY TIE-DOWN W/CARRIAGE	2
NS	3940905	BLOCK, TERMINAL SINGLE POLE	3	NS	8571501	BOLT, CARRIAGE 1/4 x 10"	2
04	3971337	CABLE, BATTERY 2/0 BLACK SGX	4	06	8571503	ROD, THREADED 1/4-20 x 36" ZINC	1
	3971334	CABLE, BATTERY 2/0 RED SGX	22	07	SPR	Battery Tray Latch	1
	3971323	CABLE, BATTERY RED 2 GA	8	NS	0170609	LINE, AIR BRAKE 3/8" RED	1.5
NS	3971283	BREAKER, 80 AMP AUTOMATIC RESET	1	NS	3975391	CABLE, FLEXIBLE 3/0 BLACK	3
NS	4342879	STEEL, COIL .021 x 36.0 PAINTED	6	NS	3975392	CABLE, FLEXIBLE 3/0 RED	2



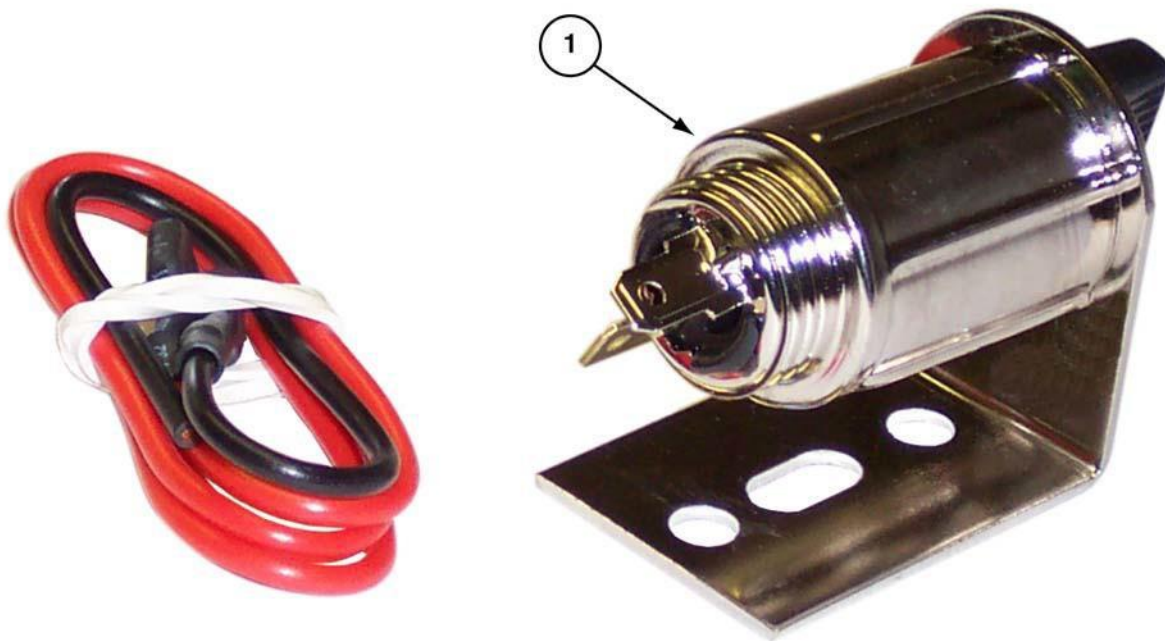
VOLTMETER
0414528

<i>ITEM PART NO. DESCRIPTION</i>	<i>QTY</i>	<i>ITEM PART NO. DESCRIPTION</i>	<i>QTY</i>
01 3973506 METER,VOLT (STEWART WARNER)	1		



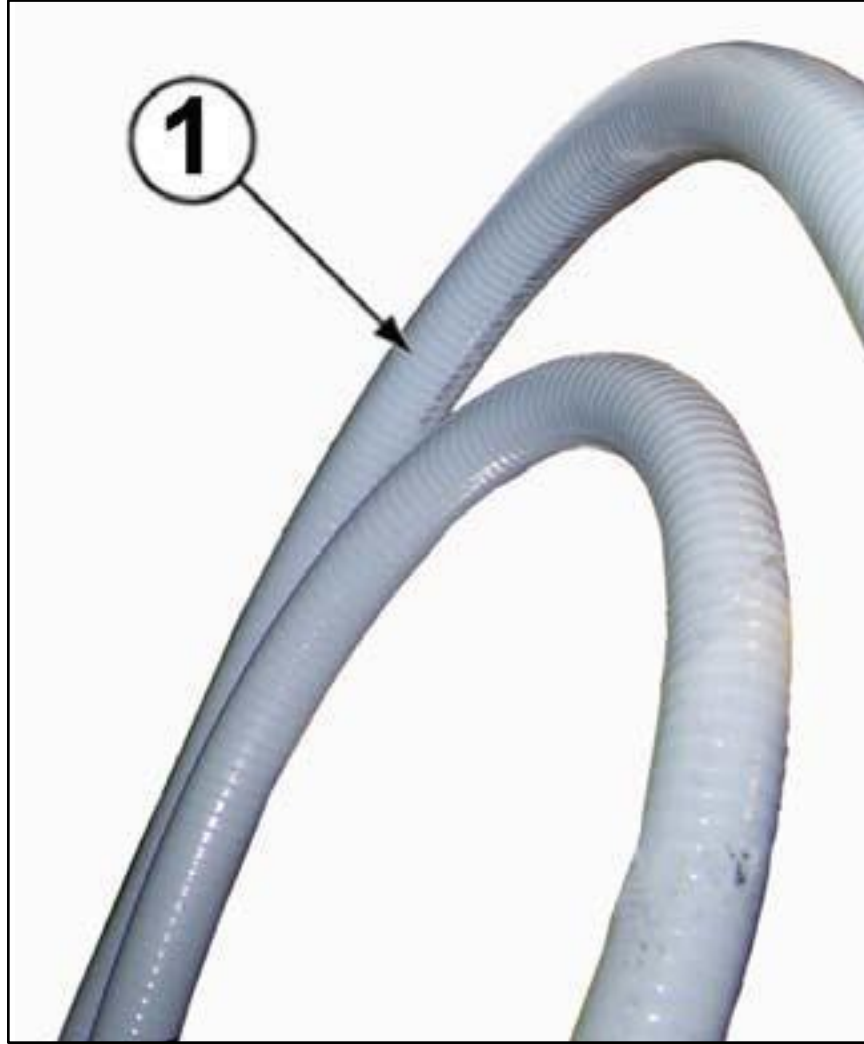
**GROUND STRAP - GSA
0420454**

<i>ITEM</i>	<i>PART NO.</i>	<i>DESCRIPTION</i>	<i>QTY</i>	<i>ITEM</i>	<i>PART NO.</i>	<i>DESCRIPTION</i>	<i>QTY</i>
01	3975560	Strap, Ground Braided/Tinned 19mm	1				



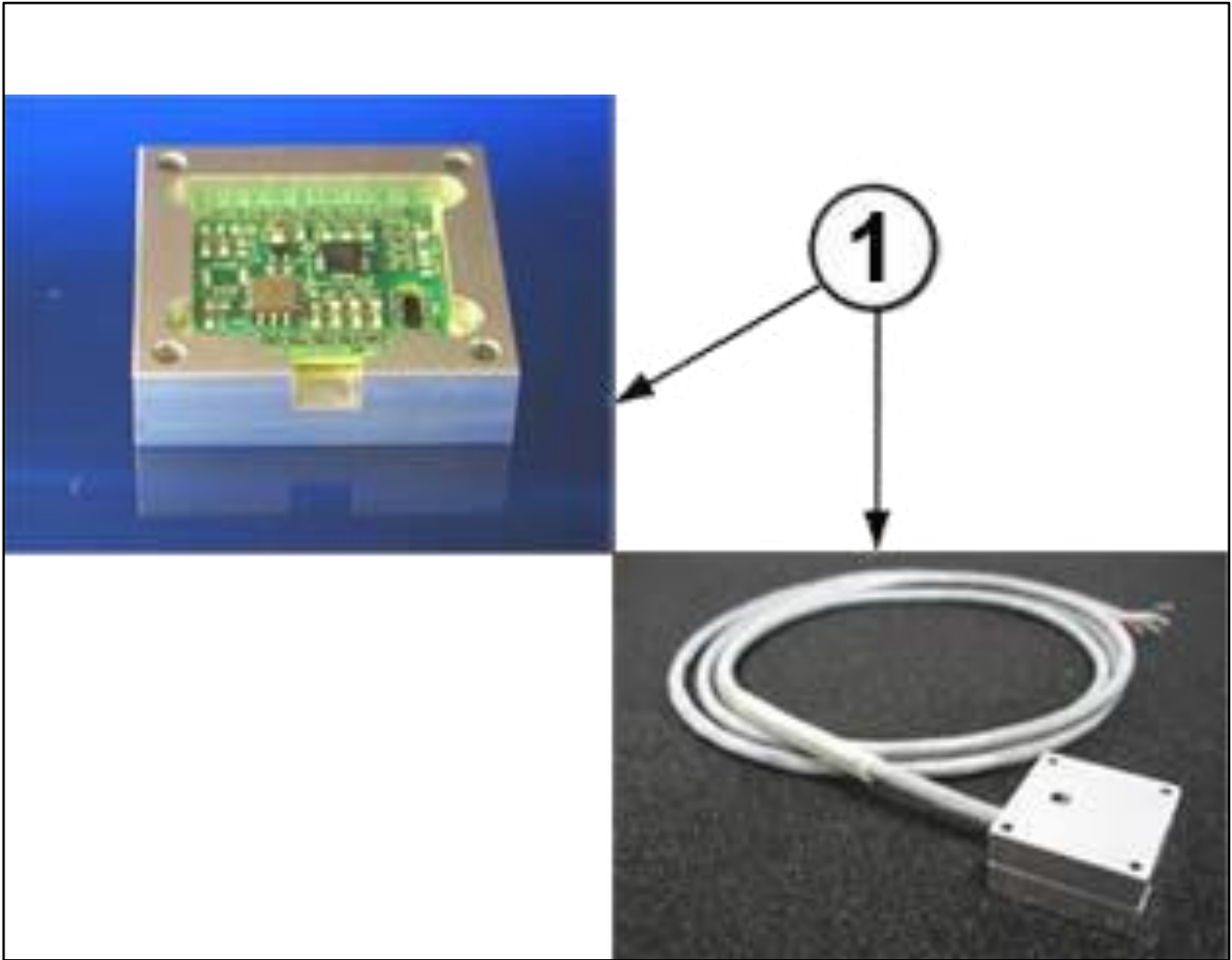
AUXILIARY 12-VOLT POWER ACCESSORY SUPPLY
CX-000-900-0026 / CX0000020048

<i>ITEM</i>	<i>PARTNO.</i>	<i>DESCRIPTION</i>	<i>QTY</i>	<i>ITEM</i>	<i>PARTNO.</i>	<i>DESCRIPTION</i>	<i>QTY</i>
01	3972195	JACK 12V POWERSUPPLY	1				



**conduit/pull wire
0421133**

<i>ITEM</i>	<i>PART NO.</i>	<i>DESCRIPTION</i>	<i>QTY</i>	<i>ITEM</i>	<i>PART NO.</i>	<i>DESCRIPTION</i>	<i>QTY</i>
01	3975737	Conduit, Non-Metalic Flex 3/4"	30				
NS	3971342	Wire, Speaker Yellow/Black	30				



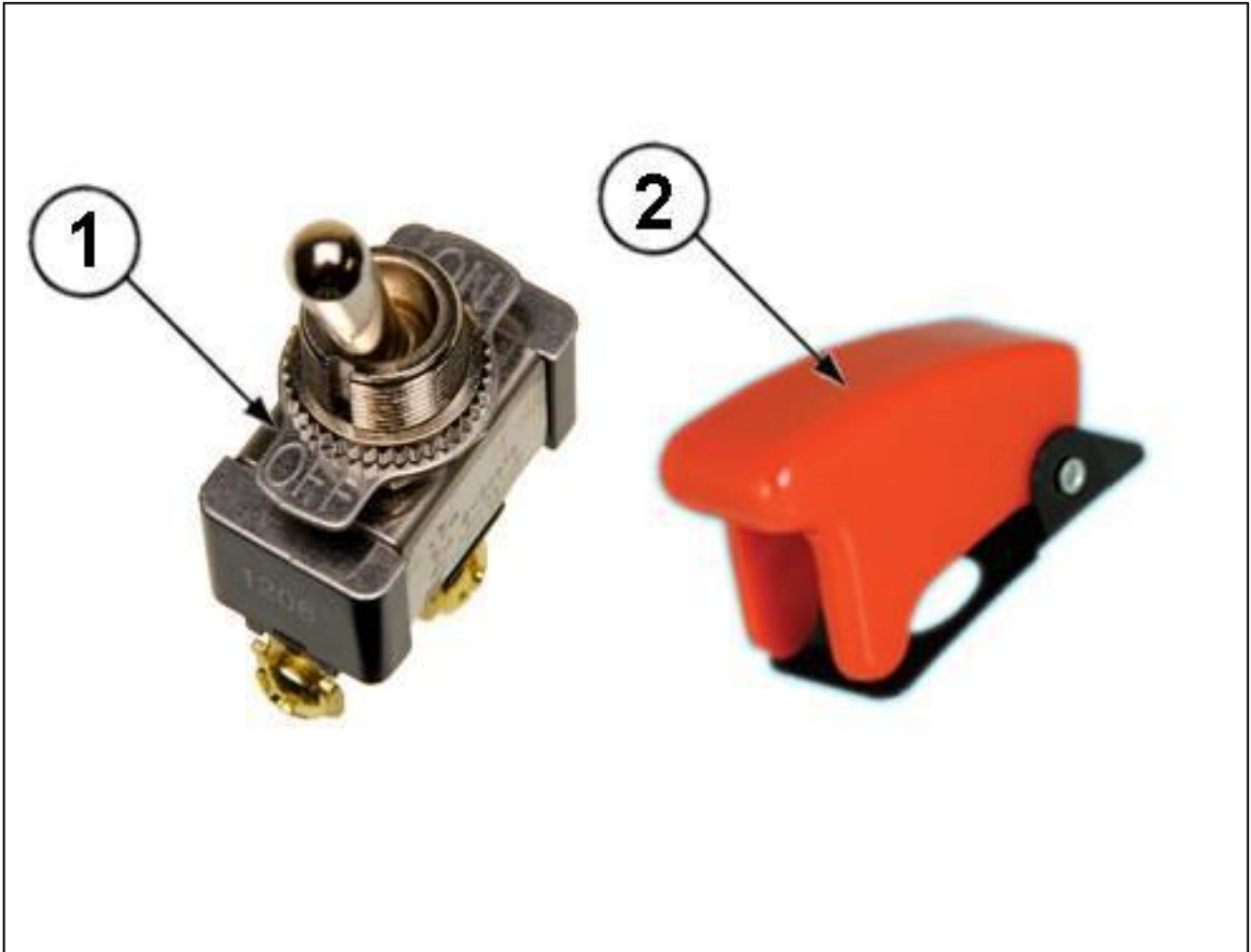
Quest Data signal RecoRDeR 0420689

<u>ITEM</u> <u>PART NO.</u> <u>DESCRIPTION</u>	<u>QTY</u>	<u>ITEM</u> <u>PART NO.</u> <u>DESCRIPTION</u>	<u>QTY</u>
NS 3975671 Recorder, Data Signal Quest FDOT	1		

no pictures available for these items

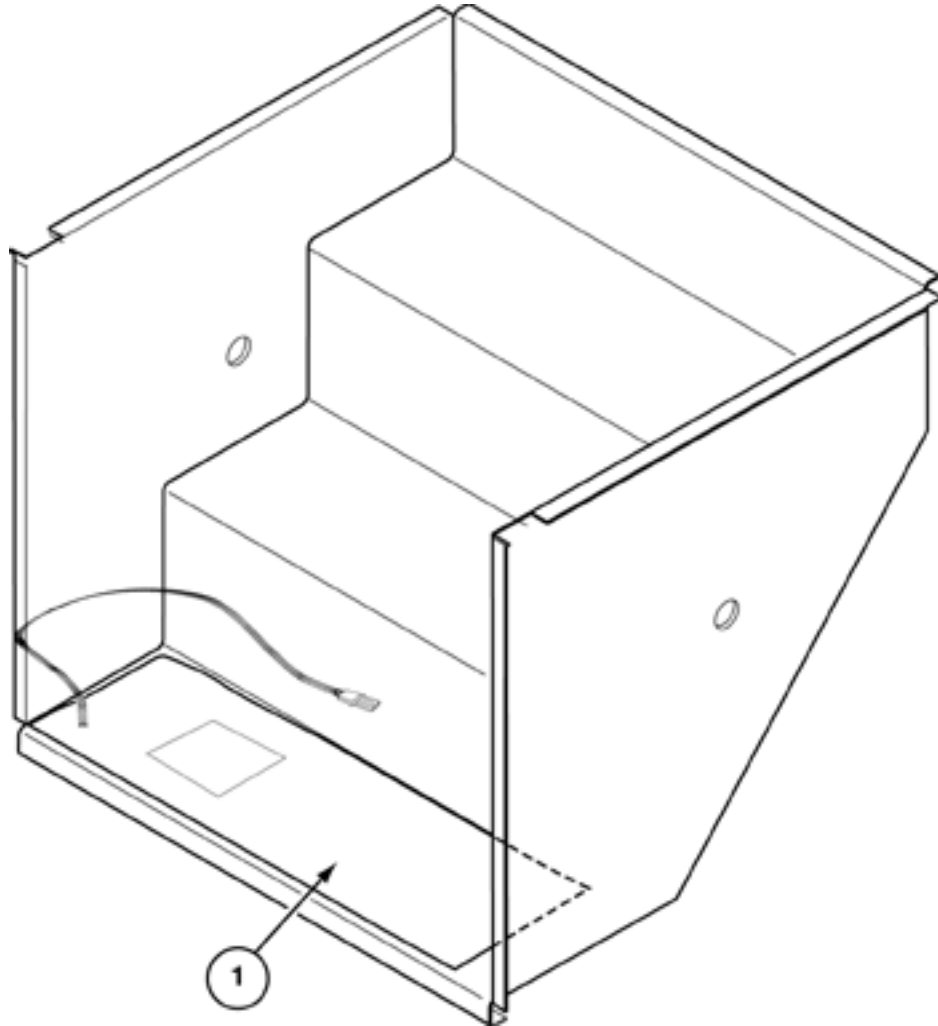
**prep wire for seon camera system
0421497**

<u>ITEM PART NO. DESCRIPTION</u>	<u>QTY</u>	<u>ITEM PART NO. DESCRIPTION</u>	<u>QTY</u>
01 3975668 Trooper TL4 Camera Pre-Wire Kit			
Consisting of:			
HE2 50' Seon Camera Harness	1		
HE1 20' Seon Camera Harness	3		
SSL-Eng Seon Safety Label	1		
BA-H2K14TL Power Harness Install PKG	1		
HWK-16AWGG 20' Power Harness, Fuse & Holder	1		
WT1-Adapter Harness for TL (Signal,Diagnostic,Speed)	1		
HDIA20-Diagnostic Button & 20' Harness	1		
020-011 Smart Reach Bridge Antenna & Cable	1		
020-0106 Smart Reach Wireless Bridge & Wiring Kit (Power Harness & Control Cable W/CATS Cable)	1		
NS 3342144 Port, Access 5.0	4		



toggle switch w/cover
0417062

<i>ITEM PART NO. DESCRIPTION</i>	<i>QTY</i>	<i>ITEM PART NO. DESCRIPTION</i>	<i>QTY</i>
1 3974564 Switch, Toggle ON/OFF	1		
2 3974563 Cover, Switch Toggle ON/OFF	1		



Heated entry Step
0412814

ITEM	PART NO.	DESCRIPTION	QTY	ITEM	PART NO.	DESCRIPTION	QTY
01	3973210	Heater, Step 6" x 18" Warm Welcome	1				

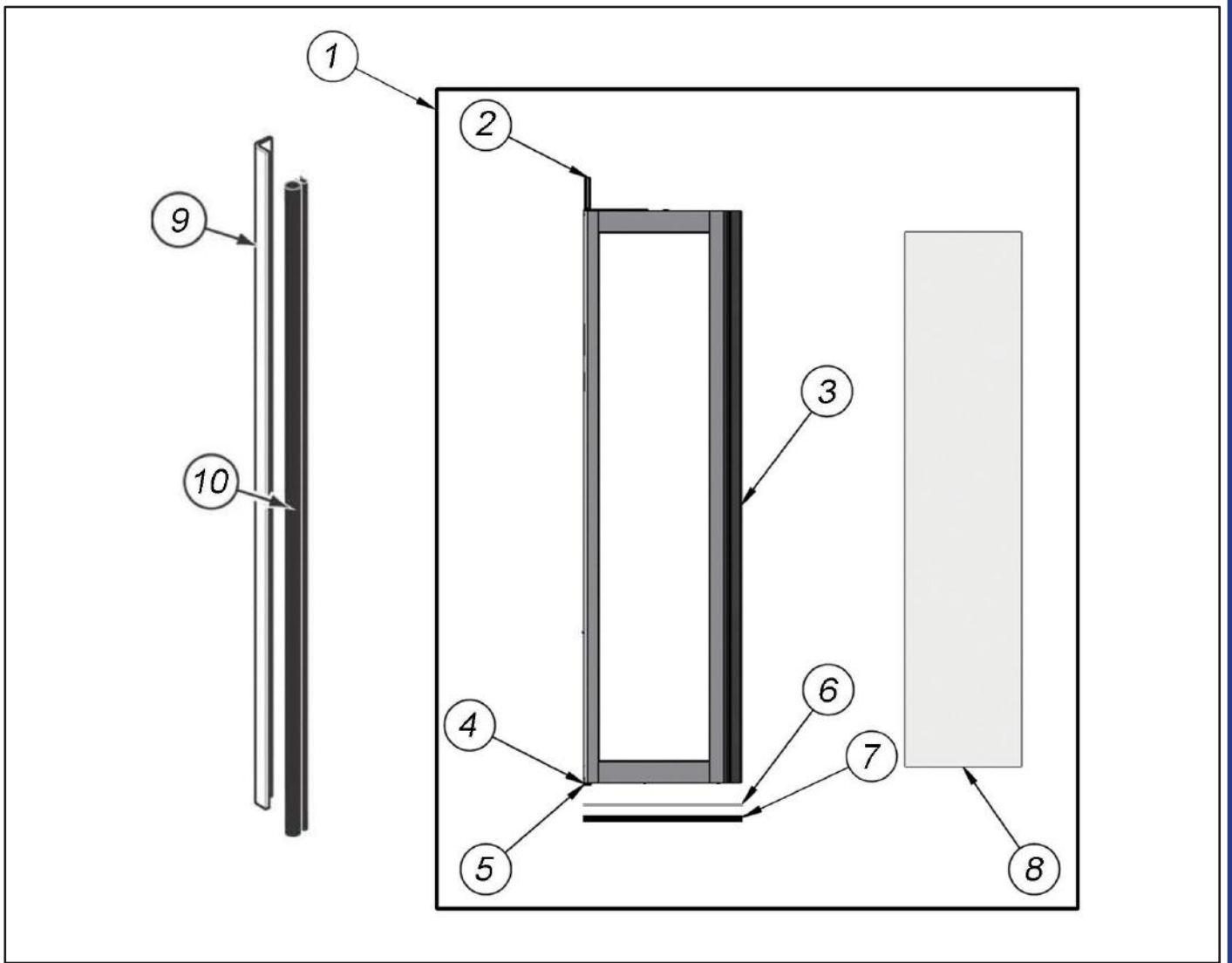


**CHAMPION
BUS, INC.**

Wholly owned subsidiary of Thor Industries, Inc.

SECTION 5:

DOORS



Entrance Door Leaf

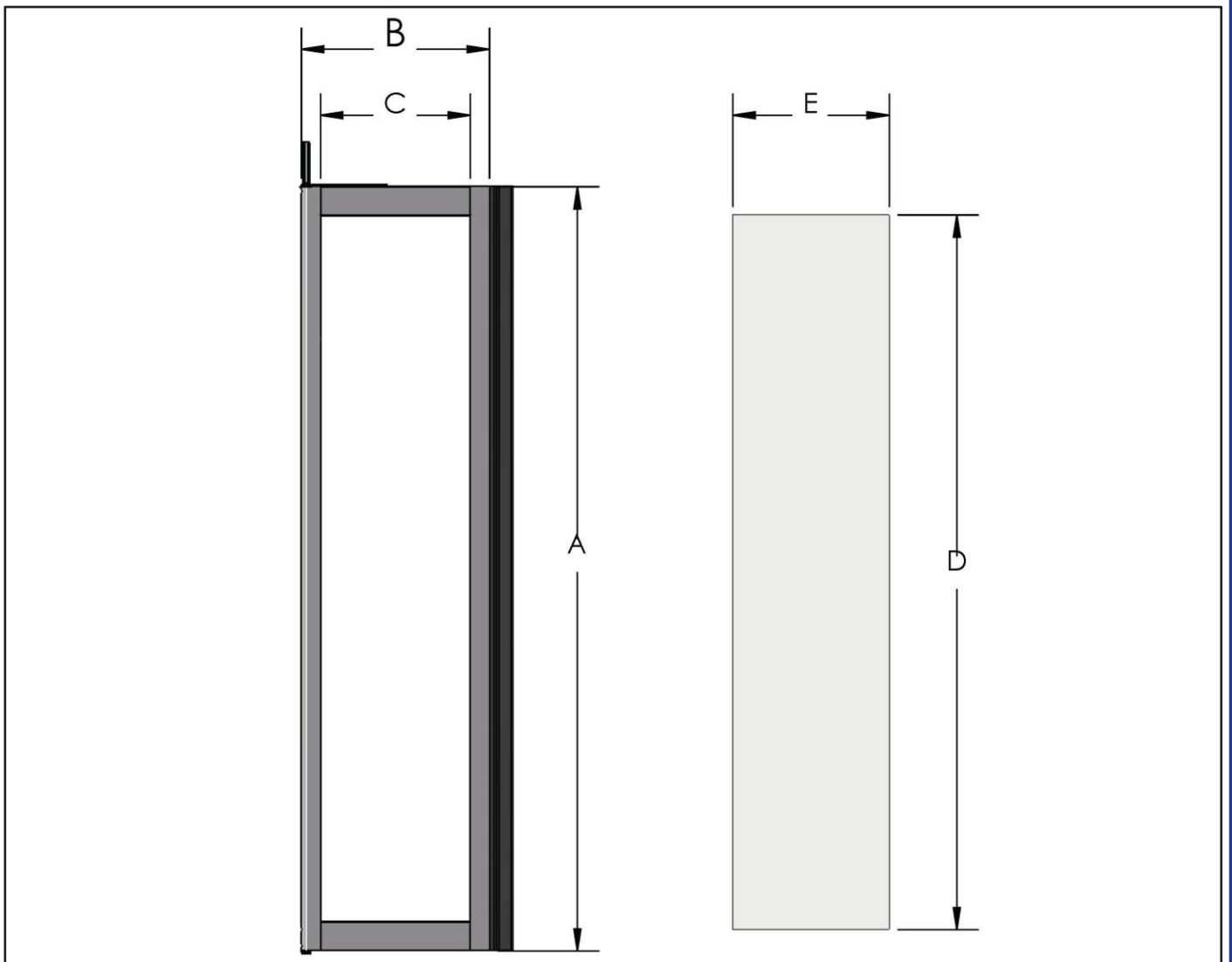
All Model, All Years Bi-Fold Doors

Item	Part Number	Description	QTY	Item	Part Number	Description	QTY
01		Call Your Parts and Service Department for Details	2				
02		Call Your Parts and Service Department for Details	2				
03		Call Your Parts and Service Department for Details	2				
04		Call Your Parts and Service Department for Details	2				
05	0373898*	PIVOT,LOWER DOOR	1				
06	5370616*	HOLDER,ENTRANCE DOOR BRUSH 10'	1				
07	5370615*	SEAL,ENTRANCE DOOR BRUSH 10'	1				
08		Call Your Parts and Service Department for Details	1				
09	4540142	ANGLE,ALUMINUM 1 X 1.5 X 12'	2				
10	3351566	SEAL,TRIM LOK LARGE BULB	A/R				
NS	0378789**	BRACKET,DOG BONE 30" DOOR	1				
NS	0378857**	BRACKET,DOG BONE 40" DOOR	1				

**Not included with Item Number 1*
*** Manual Door Only, One on Front Leaf*

Also Found in Assemblies:

Rev. 05/26/10

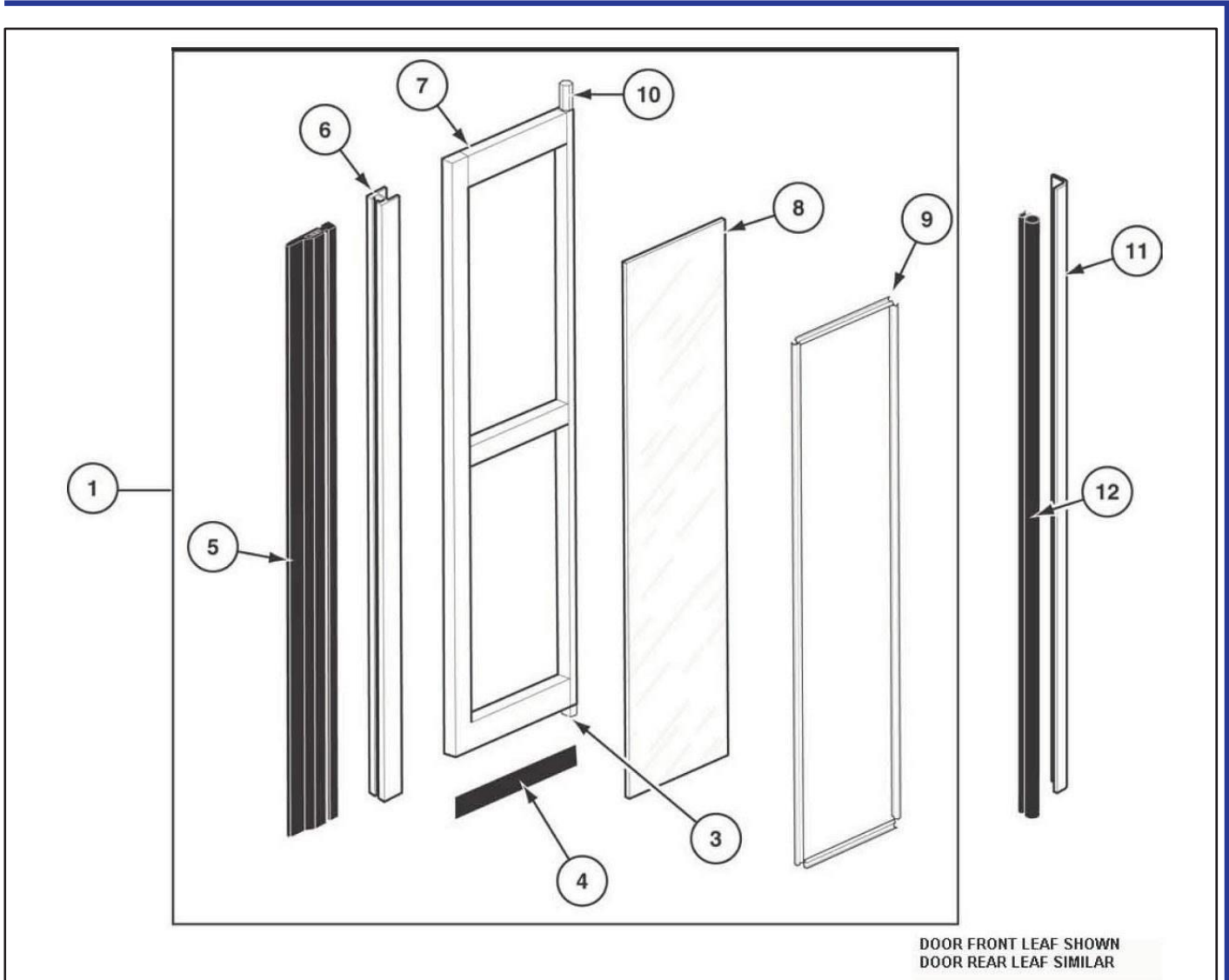


Entrance Door Leaf

All Model, All Years Bi-Fold Doors

Part Number	Length (A)	Width (B)
32" Door Assemblies		
5370363	75.75	14.75
5370619	80.75	14.75
3570641	86.375	14.75
5370621	90.75	14.75
5370627	96.375	14.75
38.75" Door Assemblies		
5370645	76	18.125
42" Door Assemblies		
5370620	80.75	19.75
5370629	81.5	19.75
5370625	86.375	19.75
5370622	90.75	19.75
5370626	96.375	19.75
5370648	95.333*	18.625*
46" Door Assemblies		
1016354	80.75	21.75
1015931	85	21.75

Rev. 05/26/10



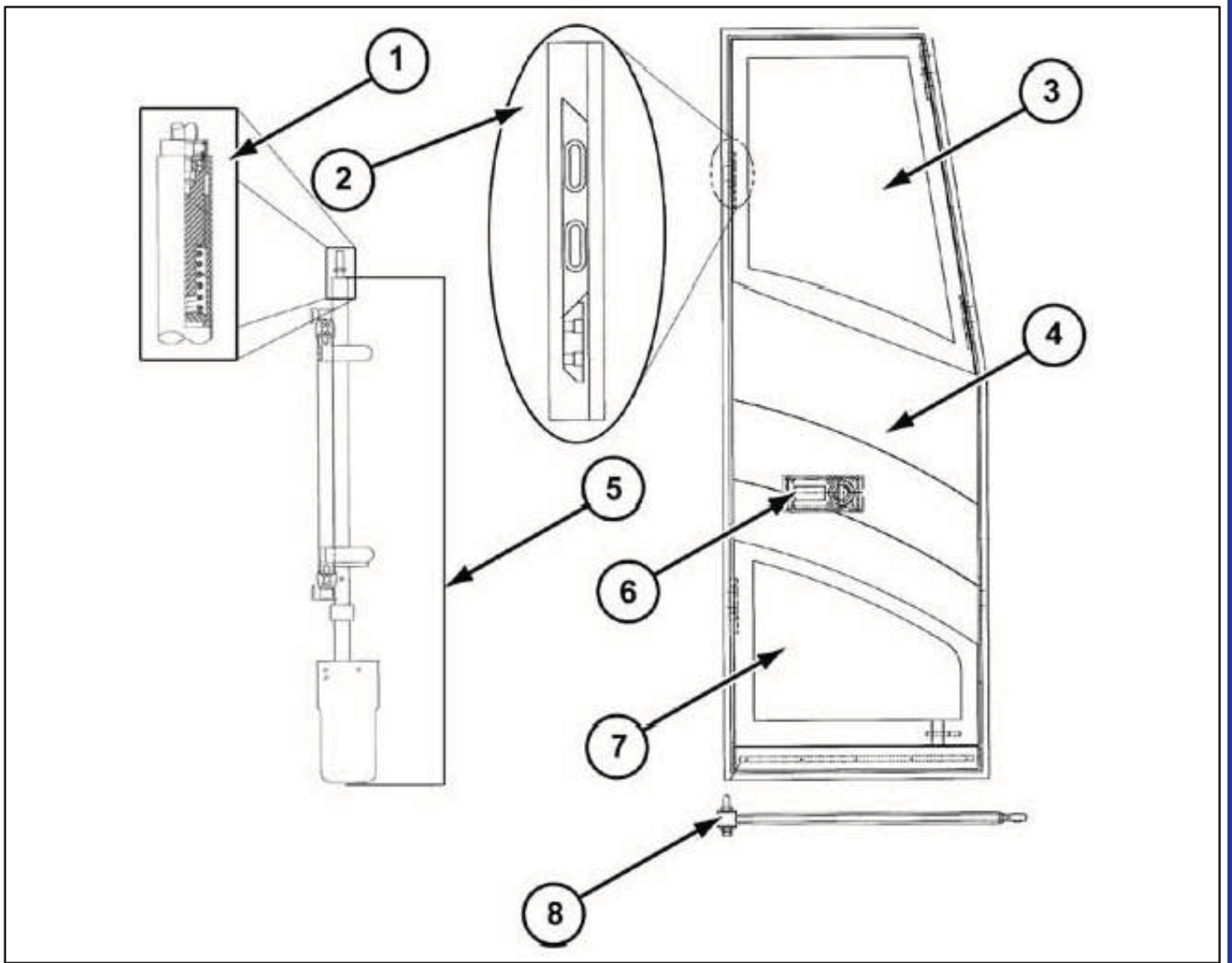
Entrance Door Leaf

All Model, Champion Made Replacement Parts Only

Item	Part Number	Description	QTY	Item	Part Number	Description	QTY
01		Not available as assembly. See previous pages					
03	0373898	Pivot, Lower Door					
04	0570178	Rubber, .25 x 3 x 25' RL Entry Door					
04	5370252						
05	5370180	Seal, Bi-Fold Door 60 Duro					
06	3371252	Extrusion,H Entry Door					
07	4570132	TUBE,.125"X 1"X 1"X 8' ALUMINUM RD					
	4570133	TUBE,.125 X 1"X 2"X 8' ALUMINUM RD					
08	CALL	Glass					
09	4570116	Extrusion,ENTR Door Glass					
10	0371807	Pin,Top Entry Door					
11	4540142	Angle, Aluminum 1 x 1.5 x 12					
12	3351566	Seal,Trim Lok Large Bulb					
NS	3371423	Bushing,Door Pivor .25" Thick					
NS	8970394	Tape,Window Sealex 1/4 x 1/2					
NS	8970414	Tape,Foam .5 x .75 x 25'					

Also Found in Assemblies:

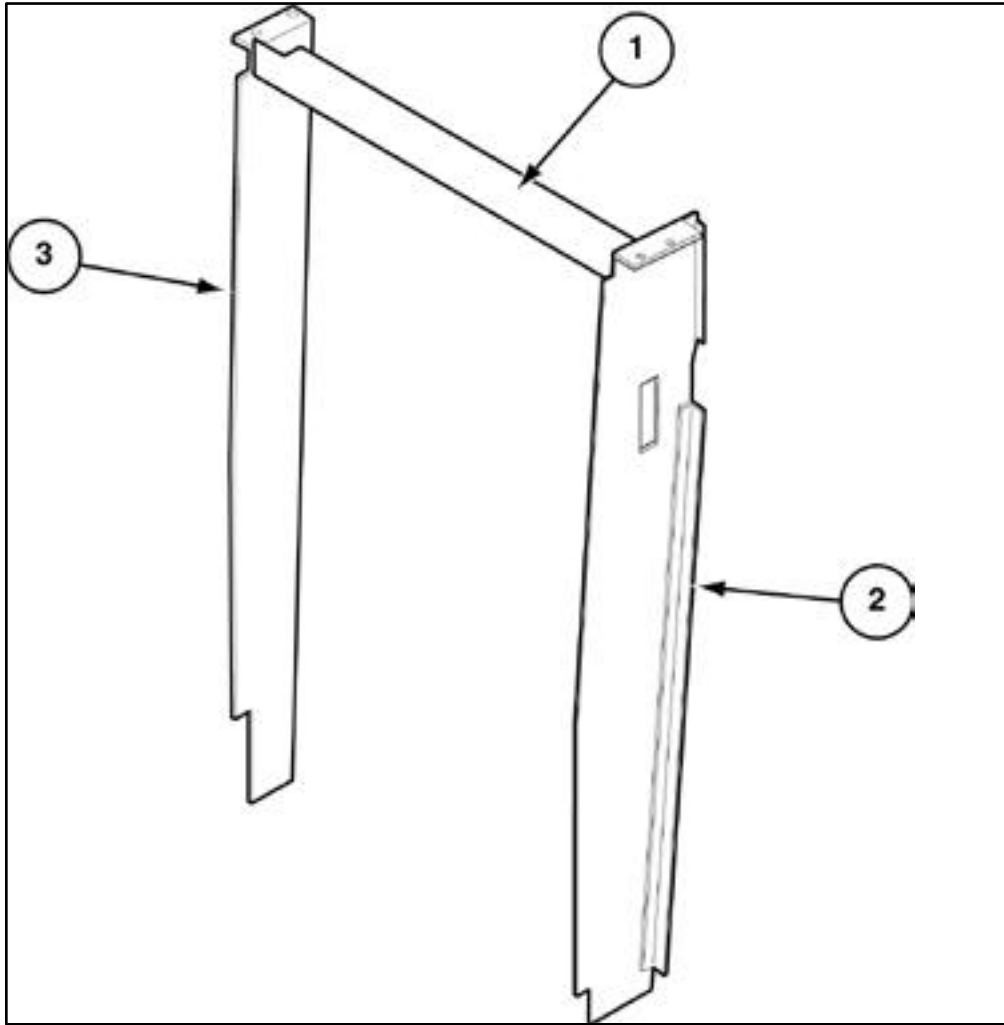
Rev. 05/26/10



Entrance Door Plug

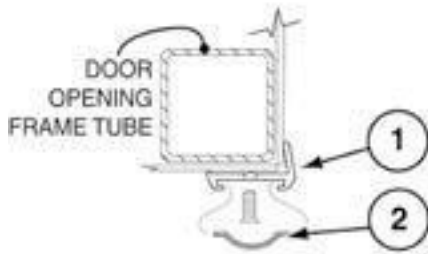
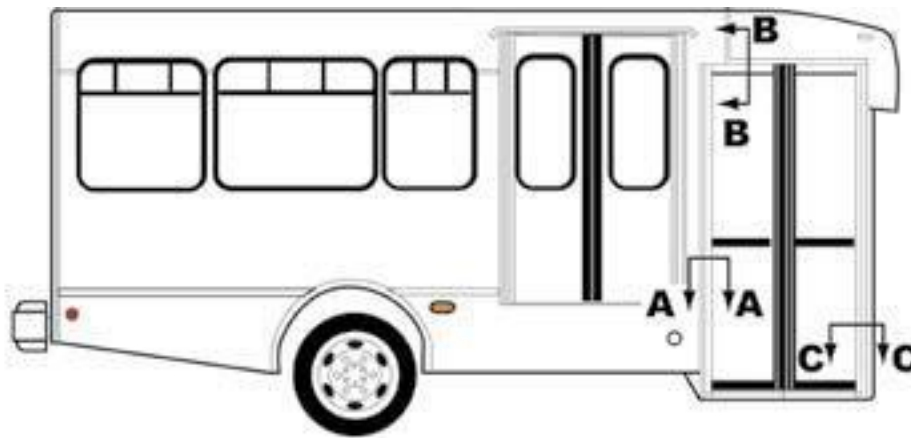
Item Part Number Description	QTY	Item Part Number Description	QTY
Call Your Parts and Service Department for Details		Also Found in Assemblies:	

Rev. 05/26/10

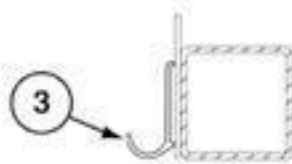


**30" ENTRY DOOR FRAME (FORD F-550)
0419110**

<i>ITEM</i>	<i>PART NO.</i>	<i>DESCRIPTION</i>	<i>QTY</i>	<i>ITEM</i>	<i>PART NO.</i>	<i>DESCRIPTION</i>	<i>QTY</i>
01	0376285	HEADER, 34.25 ENTRANCE	1				
2	0379268	WING, ENTR DOOR FRONT FORD F-550	1				
3	0376284	WING, ENTR DOOR REAR 2" 4 DEGREE	1				
N/S	0374280	GUSSET, CAB SUPPORT	1				
N/S	0376290	STUD, SIDEWALL FRONT 4 DEGREE	1				
N/S	0374305	ROD, STEP SUPPORT 3/8" X 34.0	1				
N/S	0376124	BRACKET, PARA SWITCH PRE-HUNG	1				



SECTION A-A



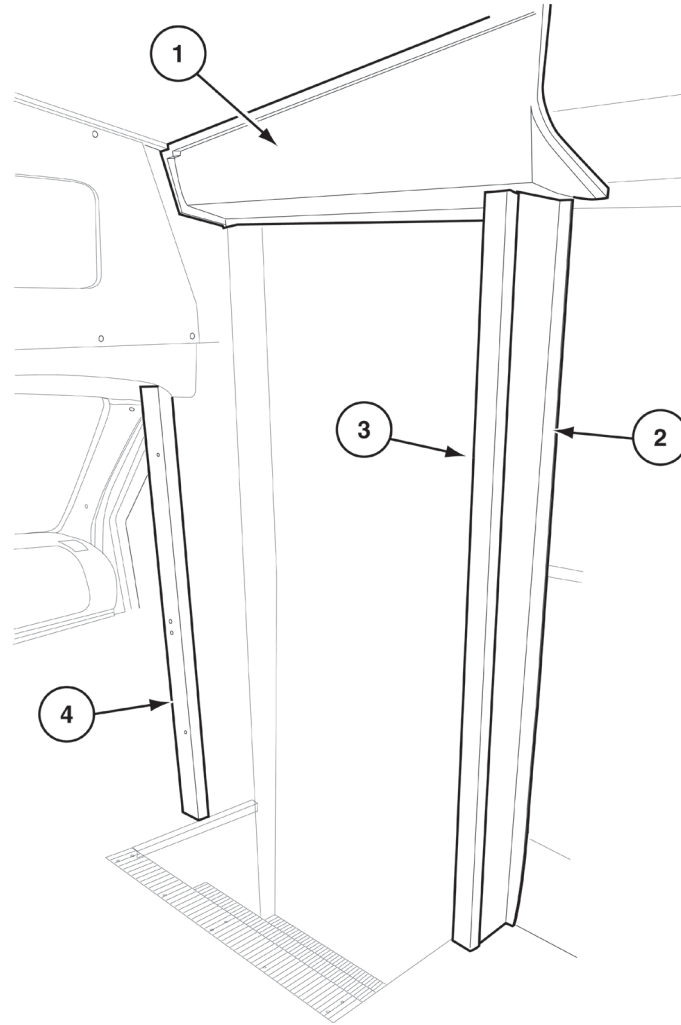
SECTION B-B



SECTION C-C

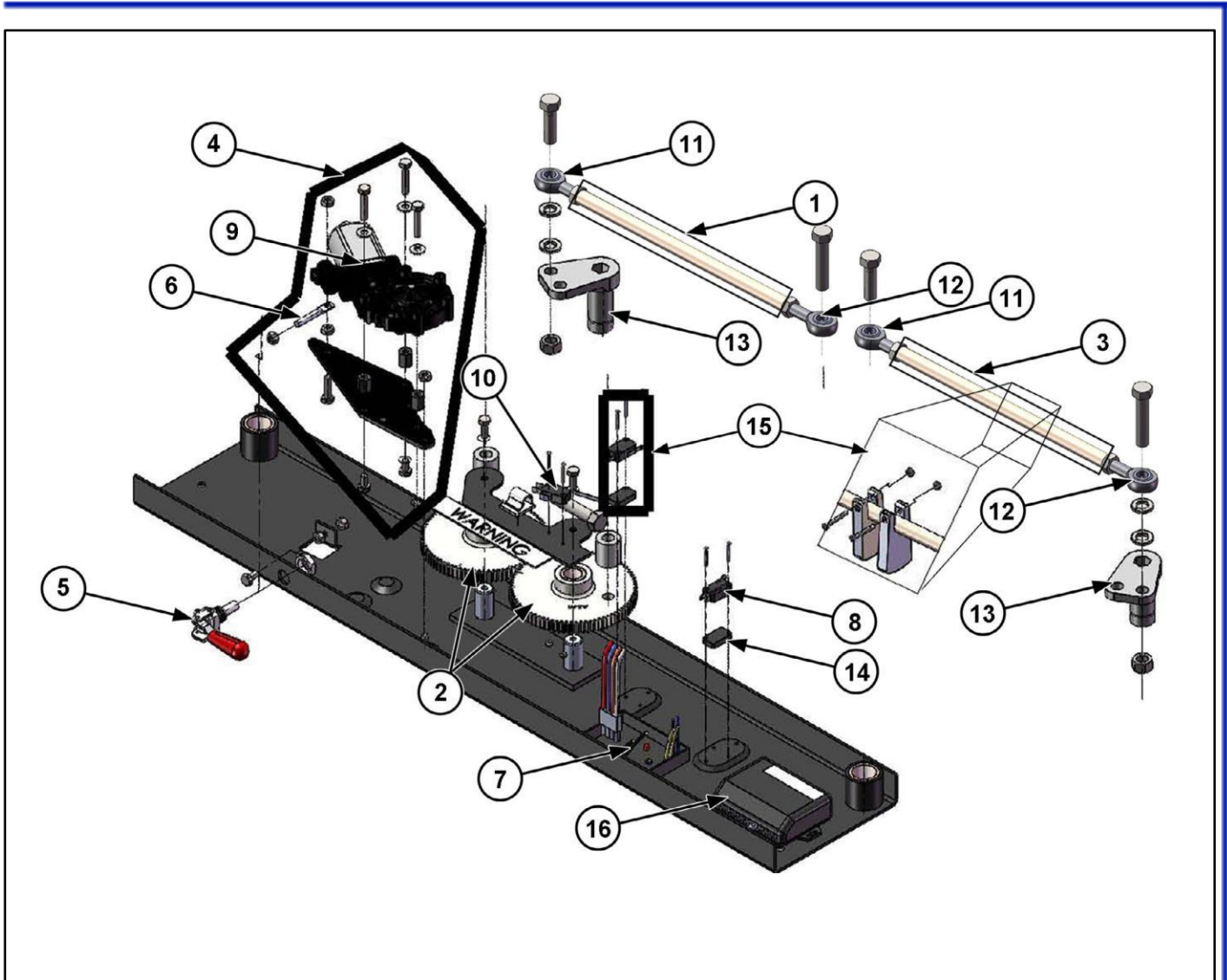
30" composite door exterior trim 0402717

ITEM	PART NO.	DESCRIPTION	QTY	ITEM	PART NO.	DESCRIPTION	QTY
1	4541124P	EDGE, DOOR OPENING (POLAR WHITE)	A/R				
2	3341237P	INSERT, 1" (POLAR WHITE)	A/R				
3	4570143	CAP, DRIP (POLAR WHITE) W/O HOLES	A/R				
4	3351566	SEAL, TRIM-LOK (LARGE BULB)	A/R				
N/S	4970423	BUMPER, RUBBER (1" x 1½")	2				
N/S	3971521	GROMMET, RUBBER (¾")	2				



30" door opening interior trim 0407860

<i>ITEM PART NO. DESCRIPTION</i>	<i>QTY</i>	<i>ITEM PART NO. DESCRIPTION</i>	<i>QTY</i>
1 3371439 COVER,30" ENTRY DOOR HEADER,ABS DF	1		
2 3350543 TRIM,BUS CORNER	1		
3 3371554 CAP,ENTRY DOOR OPENING REAR	1		
N/S 0970119 PANEL,VINYL CLAD TO LAUAN 4 x 8 SHEET	A/R		



Entrance Door Controls Electric Door

Item	Part Number	Description	QTY	Item	Part Number	Description	QTY
01		Call Your Parts and Service Department for Details	1				
02	1013443	GEAR, MAIN AM SYSTEMS	2				
03		Call Your Parts and Service Department for Details	1				
04	1014034	MOTOR ASSEMBLY	1				
05	1013444	EMERGENCY RELEASE HANDLE	1				
06	1014324	BOLT,HANGER 1/4 FLATTENED END X 2"	1				
07	1014937	PC BOARD, AUTO REOPEN	1				
08	3972541	SWITCH,MICROA&M	A/R				
09	1016840	MOTOR,ELECTRIC DOOR A&M	1				
10	1016301	SWITCH,LIMIT AUTO REOPEN ONLY	1				
11	1015921	END,ROD R/H A & M SYSTEMS	2				
12	1015922	END,ROD L/H A & M SYSTEMS	2				
13	1016224	ACTUATOR,ARM 2 HOLE	2				
14	1016208	SPACER,SWITCH ASSY-A&M	A/R				
15	3973804	DOOR KIT,HEADER A&M NOT CLOSED	A/R				
16		Call Your Parts and Service Department for Details	1				

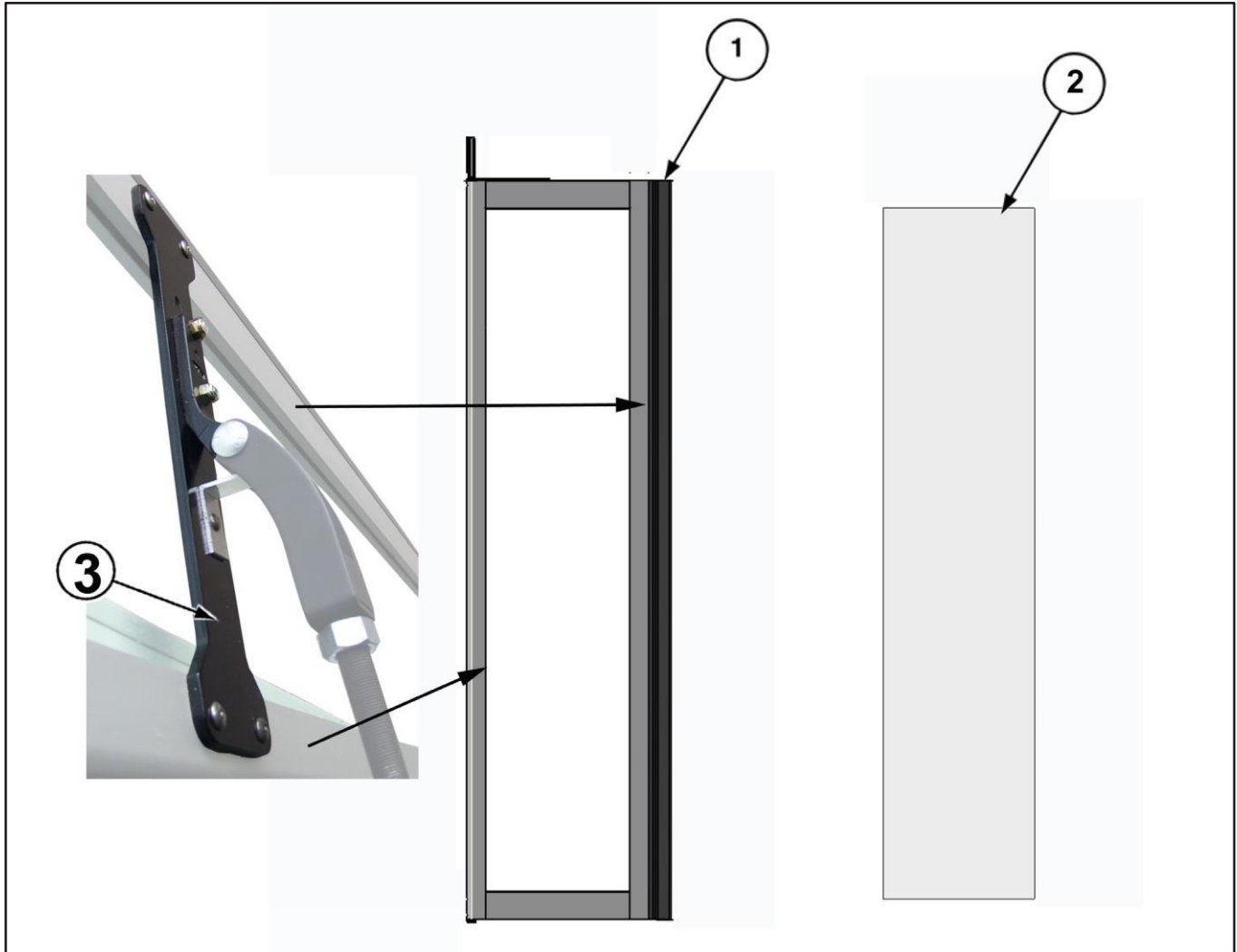
Also Found in Assemblies:
 0402852, 0403417, 0404044, 0404520, 0406396, 0406756
 0408908, 0414076, 0402851, 0404519, 0406266, 0409162
 0414075, 0414093

Rev. 05/26/10



bode plug entry door
0420333 / 5370659

<i>ITEM</i>	<i>PART NO.</i>	<i>DESCRIPTION</i>	<i>QTY</i>	<i>ITEM</i>	<i>PART NO.</i>	<i>DESCRIPTION</i>	<i>QTY</i>
01	5370659	Door, Bode Single Plug 36" x 89.625"	1				



32" Door leafs - laminated glass 5370641

<i>ITEM PART NO. DESCRIPTION</i>	<i>QTY</i>	<i>ITEM PART NO. DESCRIPTION</i>	<i>QTY</i>
1 5370641 Door, Leaf 32" x 86.31 Laminated (Use same part number for Left & Right Leaf)	2		
2 Part number not available at this time (Call your Parts Representative for Number)			
3 0378789 Bracket, Dog Bone 30" Door	1		
NS 3370900 Cap, Plastic Tube 1-1/2" x 2.0" (Handle)	1		
0416673 Install Brush Holder 30" Door			
N/S 5370615 Seal, Entrance Door Brush 96"	A/R		
N/S 5370616 Seal, Entrance Door Holder 96"	A/R		



door, entry with 2 windows
0419169 / 0419076

<i>ITEM</i>	<i>PART NO.</i>	<i>DESCRIPTION</i>	<i>QTY</i>	<i>ITEM</i>	<i>PART NO.</i>	<i>DESCRIPTION</i>	<i>QTY</i>
01	3372004	DOOR, RV ENTRY 34 x 84.38 F-550	1				
	0371740	TUBE, 14GA 2 x 1 x 24FT	1				
	0374489	TUBE, 7GA 2 x 2 x 95.5	1				
2	5970874	WINDOW, 24 x 22 REAR CARGO	2				
3	5370010	LOCK, PADDLE LATCHW/INT HNDL	1				

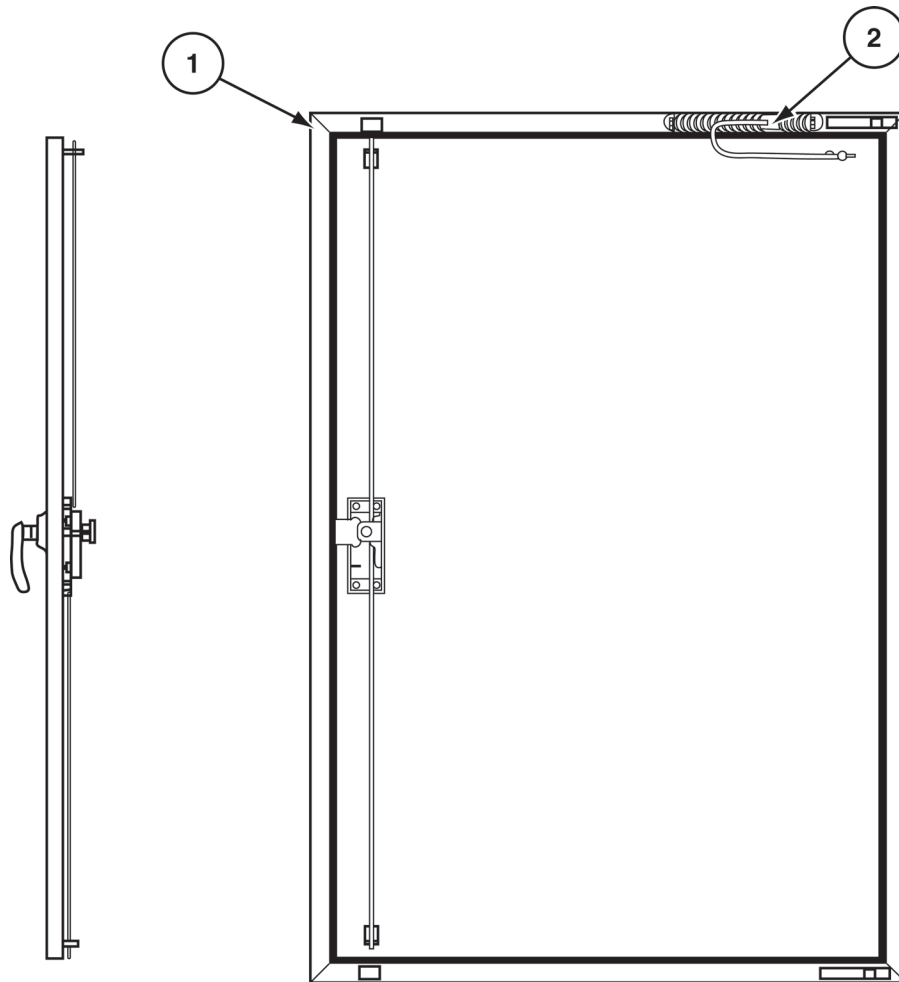


rv entry door (34 x 85.62)
0421765 / 0421729 / 3372121

<u>ITEM</u>	<u>PART NO.</u>	<u>DESCRIPTION</u>	<u>QTY</u>	<u>ITEM</u>	<u>PART NO.</u>	<u>DESCRIPTION</u>	<u>QTY</u>
01	3372121	Door, Entry RV 34 x 85.62 F550 1 Wnd 1					
02	NA	Door Handle (Contact Parts Rep.)					
NS	0374489	Tube, 7GA x 2 x 2 x 95.5	AR				
NS	0371740	Tube, 14GA x 2 x 1 x 24FT	AR				

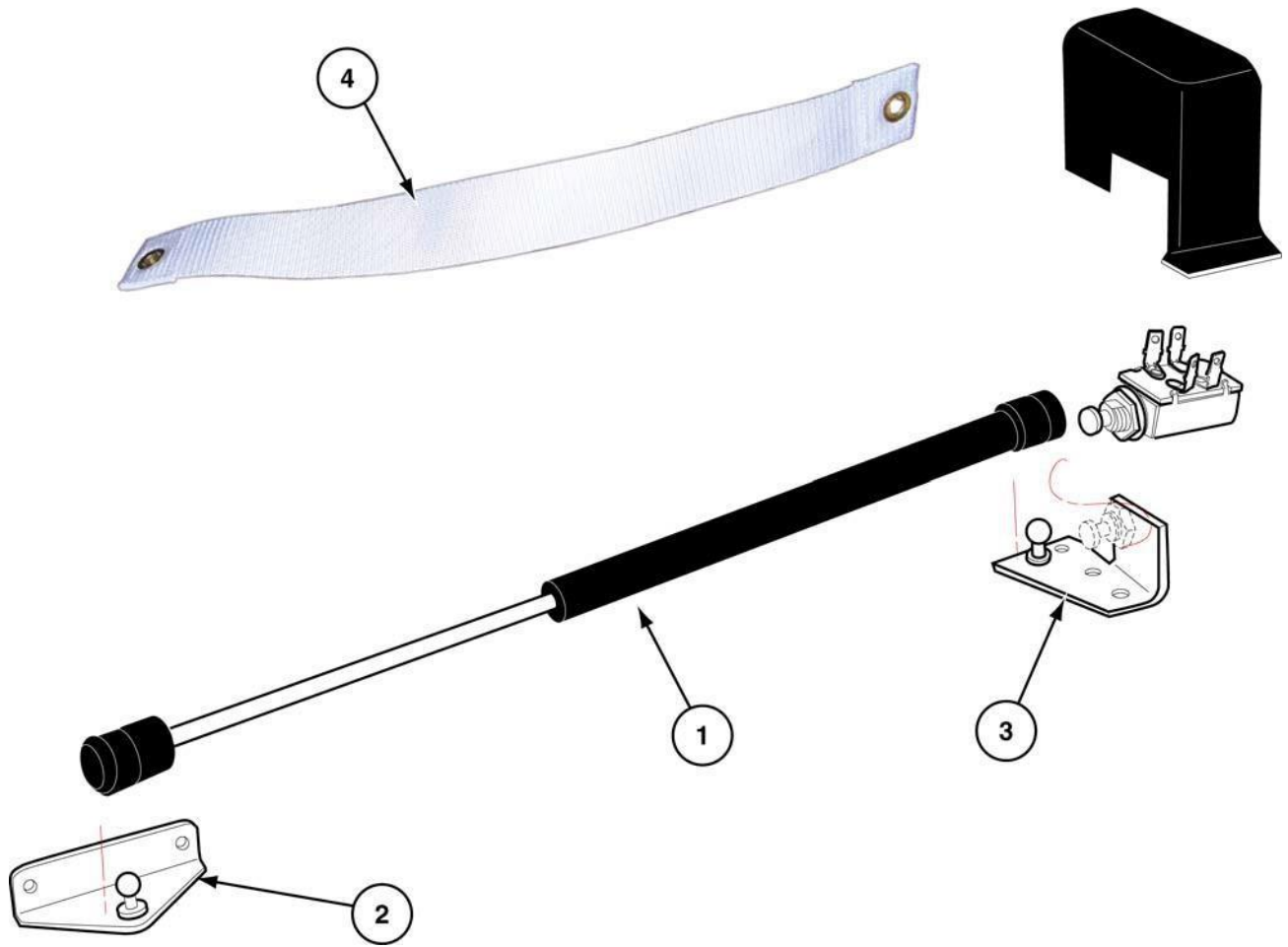
NOTE: Contact your sales representative for window replacement and Door Handle part numbers.

NOTE: Picture may not be represent the RV door for this part number exactly.



rear cargo door
0415285 / cX0000054038 (reV-a)

<i>ITEM PART NO.</i>	<i>DESCRIPTION</i>	<i>QTY</i>	<i>ITEM PART NO.</i>	<i>DESCRIPTION</i>	<i>QTY</i>
1	3371731 DOOR ASM.,CARGO (PRE-HUNG)	1			
2	0377705 STOP,CARGO DOOR	1			
N/S	3973898 ACTUATOR,REAR DOOR	1			
N/S	4570143 CAP,DRIP W/O HOLES	A/R			
N/S	3371674 COVER,LIFT DOOR SWITCH GRAY	1			
N/S	3973020 SWITCH,MAGNETIC	1			
N/S	3973021 ACTUATOR,MAGNETIC	1			



INSTALL, GAS STRUT & TEATHER

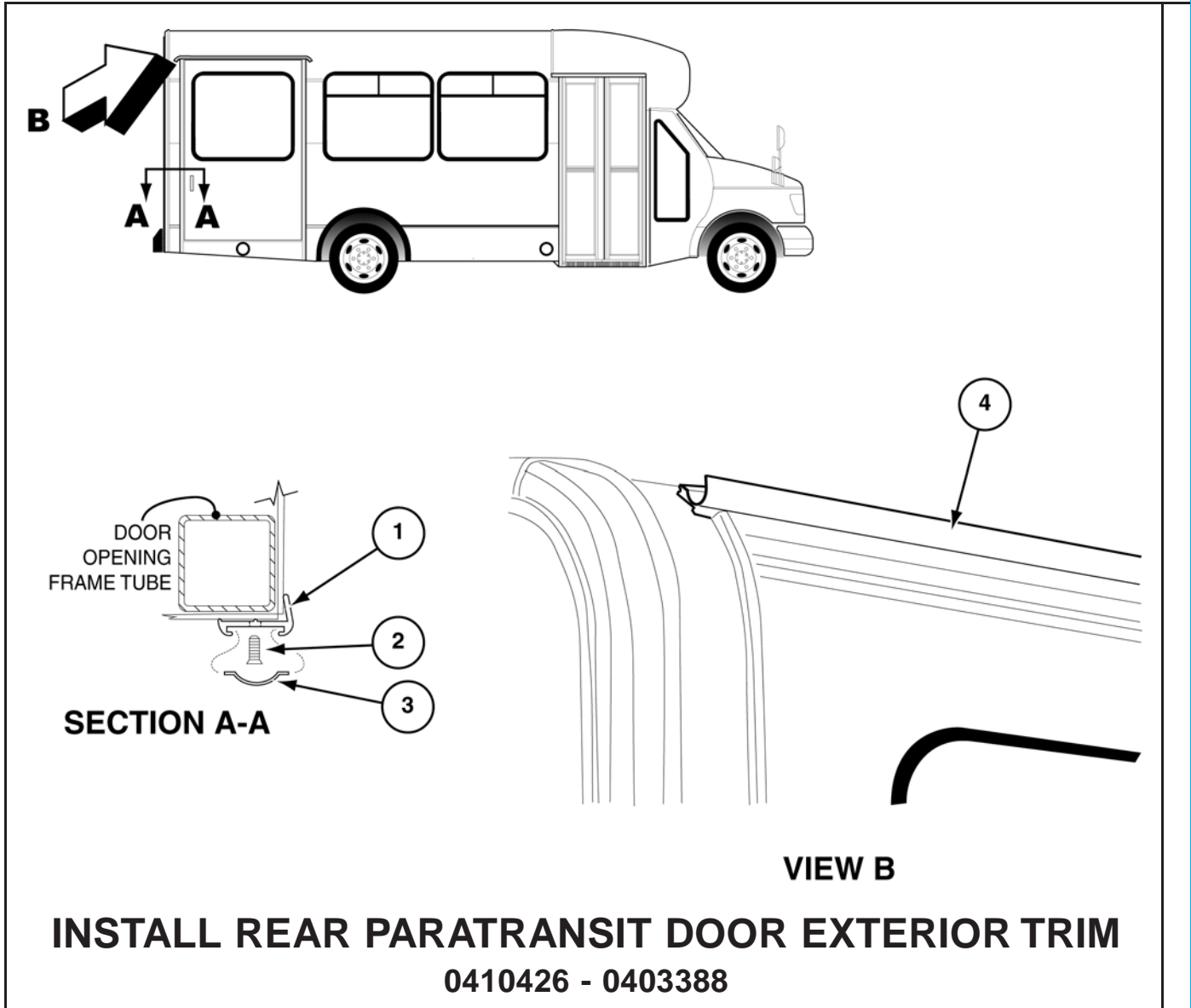
0410426

ITEM	PARTNO.	DESCRIPTION	QTY	ITEM	PARTNO.	DESCRIPTION	QTY
01	4970545	STRUT,GAS (60LB, 14")	1				
2	4970546	BRACKET,STRUT(270°"C" STYLE)	1				
3	0376564	BRACKET,PARADOOR,STRUTSWITCH	1				
04	7371581	TETHER, PARADOOR(21")	1				
NS	4970423	BUMPER,RUBBER(1 X 1.5)	1				

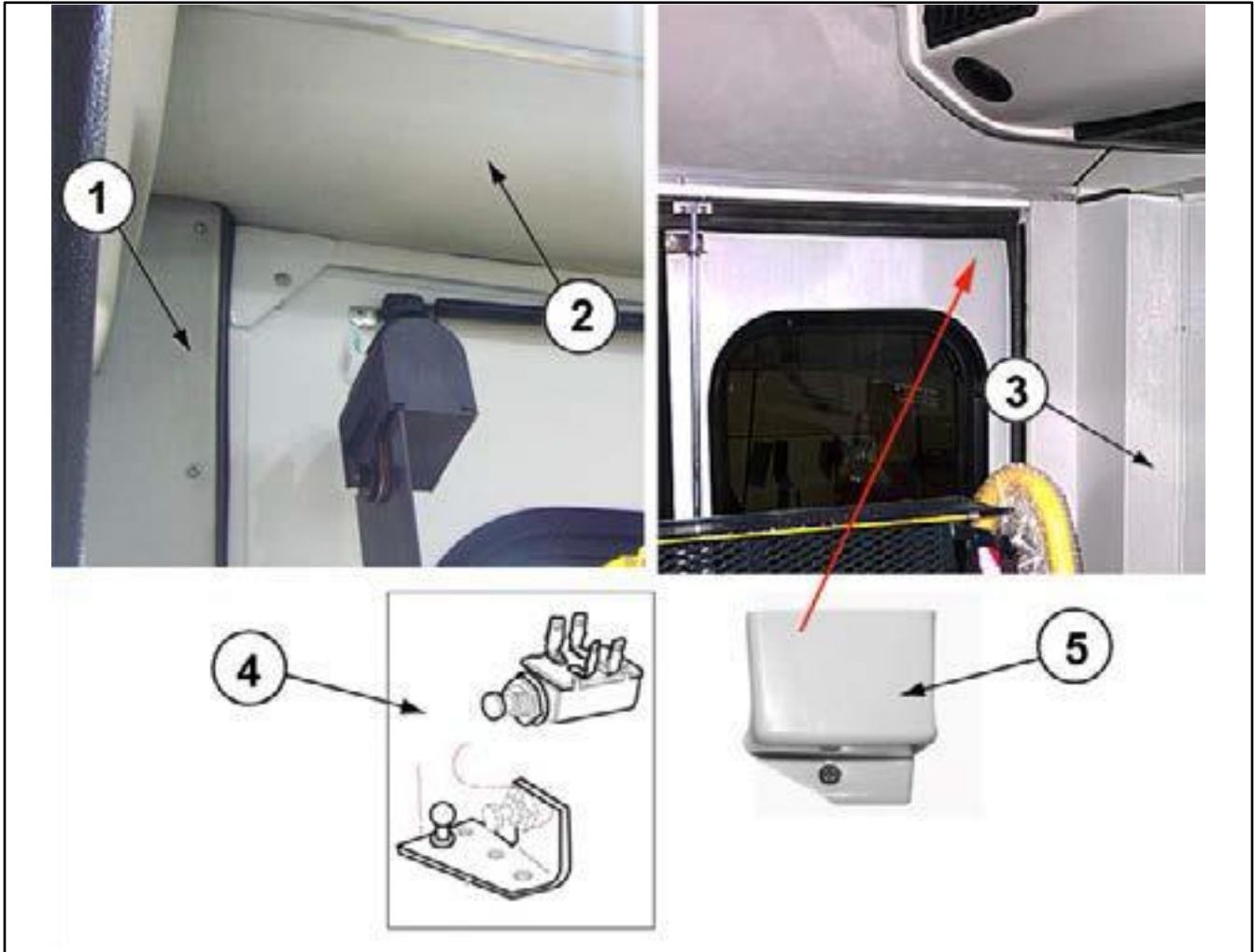


**single paratransit door w/paddle lock
0421720**

<i>ITEM</i>	<i>PART NO.</i>	<i>DESCRIPTION</i>	<i>QTY</i>	<i>ITEM</i>	<i>PART NO.</i>	<i>DESCRIPTION</i>	<i>QTY</i>
1	3372151	Door, Lift Comp Single W/Locking Pad	1				
2	4970694	Bumper, Door Stopper Rubber 2¼"	2				
3	3372022	Lock, Door Rear Paddle Type W/Key	1				



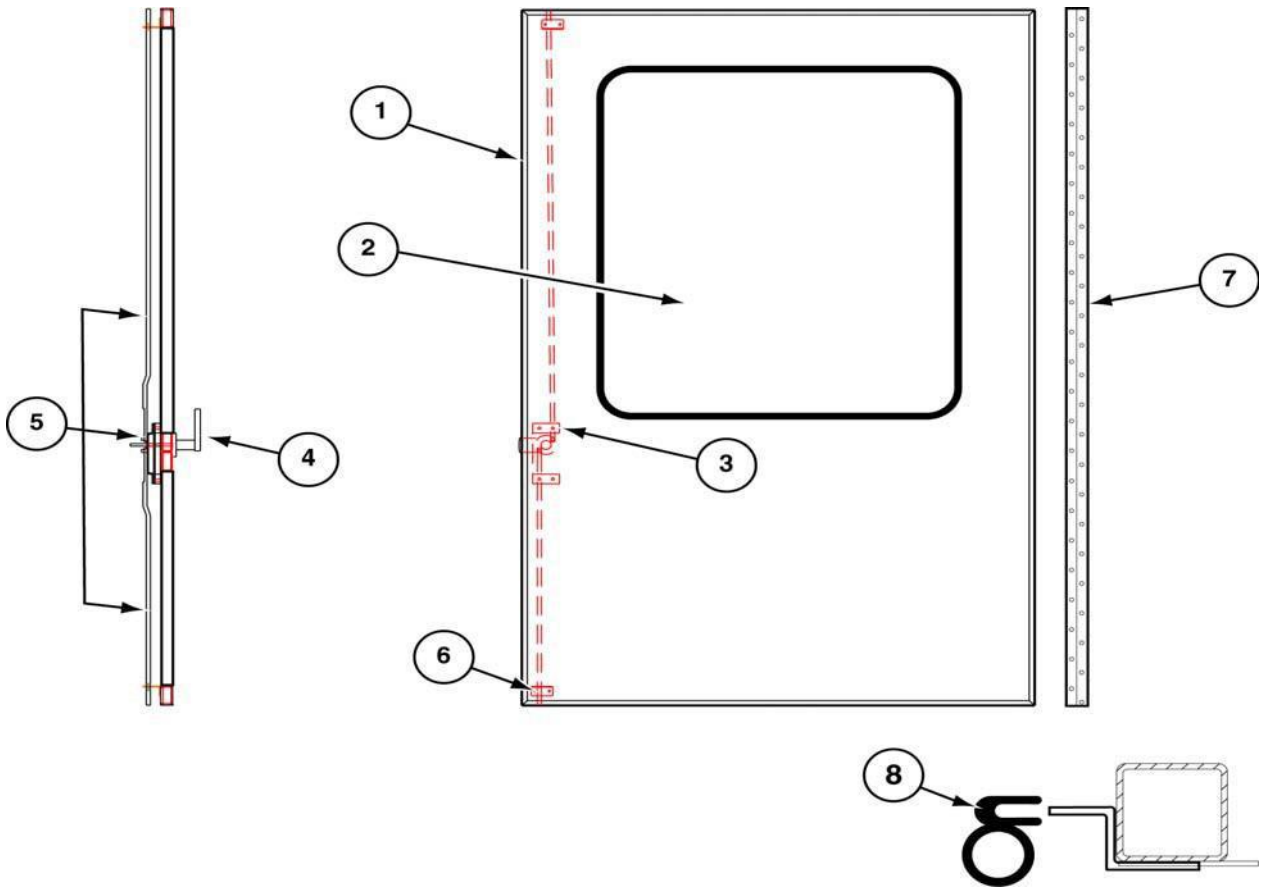
ITEM	PARTNO.	DESCRIPTION	QTY	ITEM	PARTNO.	DESCRIPTION	QTY
1	454112P	EDGE, ROOF (POLARWHITE #2000) 16'	A/R				
2	8570931	SCREW (8x1 PANQUADTEK) CLEAR/PI	40				
03	334123P	INSERT, POLARWHITE (#101) 1000	A/R				
04	0413097	INSTALL DRIP CAPPARADOOR	1				
N/S	8570808	POP-RIVET, ALUMINUM (3/16x.376-.500GRP)	4				
N/S	8570933	SCREW (8x1 PANQUADT2) CLEAR/PI GUARD	4				



PARATRANSIT DOOR INTERIOR TRIM

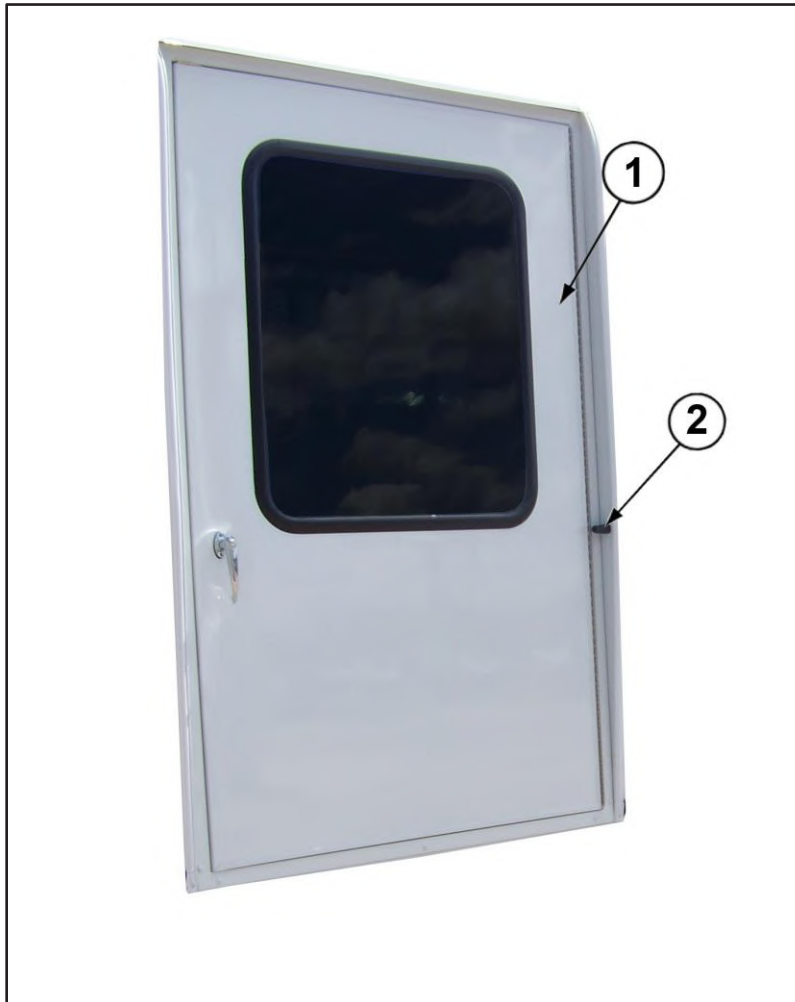
0421720 / 0409843

<i>ITEM</i>	<i>PART NO.</i>	<i>DESCRIPTION</i>	<i>QTY</i>	<i>ITEM</i>	<i>PART NO.</i>	<i>DESCRIPTION</i>	<i>QTY</i>
1	3371244	COVER, PARA DOOR FRNT POST	1	NS	4540142	ANGLE, ALUMINUM 1 x 1.5 x 12'	.5
2	3371229	ADAPTER, CVR LITEBAR -PARA DOOR	1	NS	3944485	TERMINAL, F/INS FEM/QDISC 16-14 .25	2
3	3371228	COVER. PARADOOR REAR WALL POST	1	NS	3371272	COVER, FRNT POST FRNT LIFT DOOR	1
4	3973020	SWITCH, MAGNETIC	2	NS	8970404	TAPE, FOAM 1/8" x 1/2" x 75' BLACK	AR
	3973021	ACTUATOR, MAGNETIC	2	NS	3350543	TRIM, BUS CORNER	1
5	3371902	COVER, SWITCH LIFT DOOR	1				
NS	3371224	ABS, POST ENTRY DOOR (BACKSIDE) ALL	1				



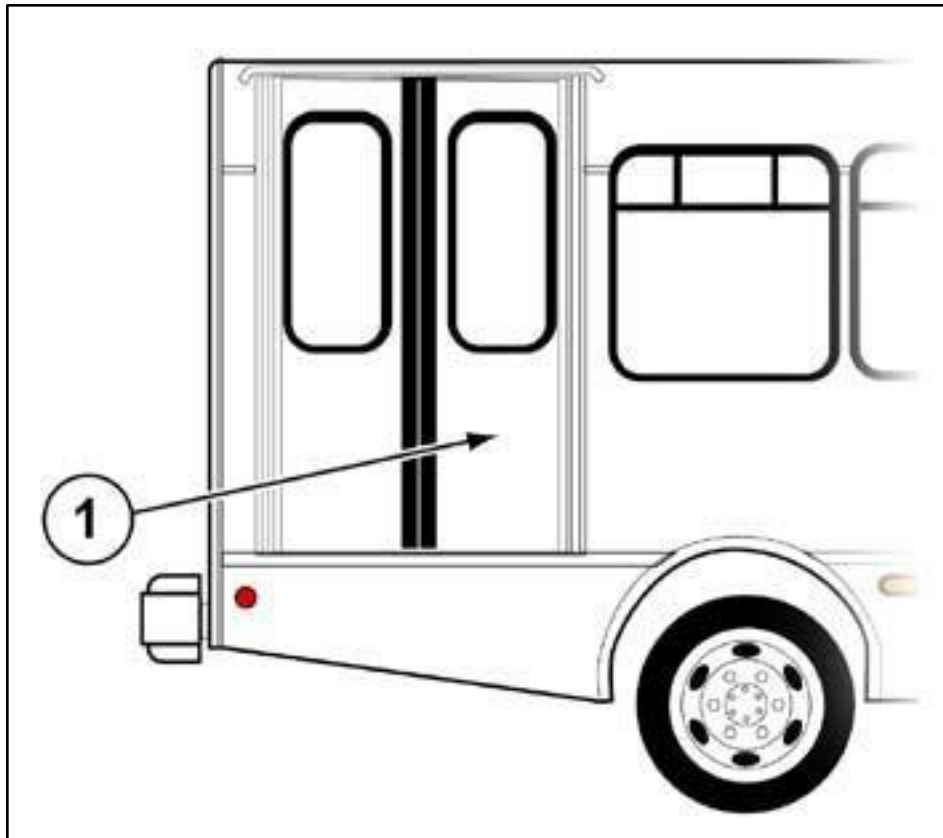
SINGLE LEAF PARATRANSIT DOOR 0410426 - 0410183

ITEM	PARTNO.	DESCRIPTION	QTY	ITEM	PARTNO.	DESCRIPTION	QTY
01	0410180	FRAME, PARACOMPOSITE DOORSINGLE LEAF	1				
02	5970083	WINDOW (33.38x36.50)					
1							
3	4570151	PLATE, DOOR LATCH ALUMINUM	2				
4	4940268	HANDLE, LOCKING OUTSIDE	1				
5	4970457	LATCH 3-POINT (CLEVELAND)	1				
6	0374253	GUIDE, DOOR ROD	2				
07	490662	HINGE, S/S (2" x 72")	1				
08	3351566	SEAL, TRIM LOK (LARGE BULB 1700A-8)	A/R				
NS	4970493	GROMMET, RUBBER (7/16)	2				



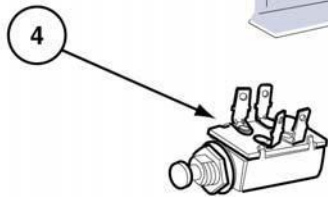
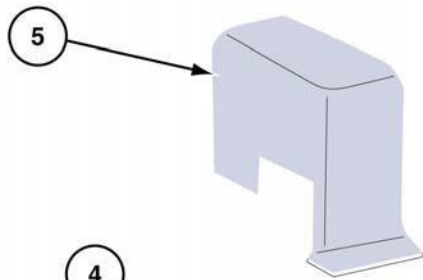
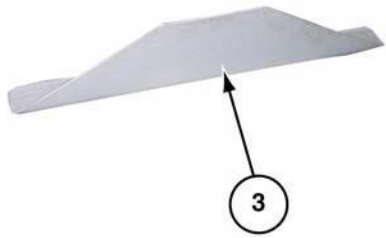
paratransit door-single leaf s/s
0417012 / 3371878

<i>ITEM PART NO.</i>	<i>DESCRIPTION</i>	<i>QTY</i>	<i>ITEM PART NO.</i>	<i>DESCRIPTION</i>	<i>QTY</i>
1	3371878 DOOR, LIFT COMP SINGLE PANEL S/S	1			
2	4970694 BUMPER, DOOR STOPPER RUBBER 2.25"	2			
N/S	4970748 HOLDER, DOOR 6" STAINLESS STEEL	2			



dual paratransit door w/frnt leaf lock 0421444

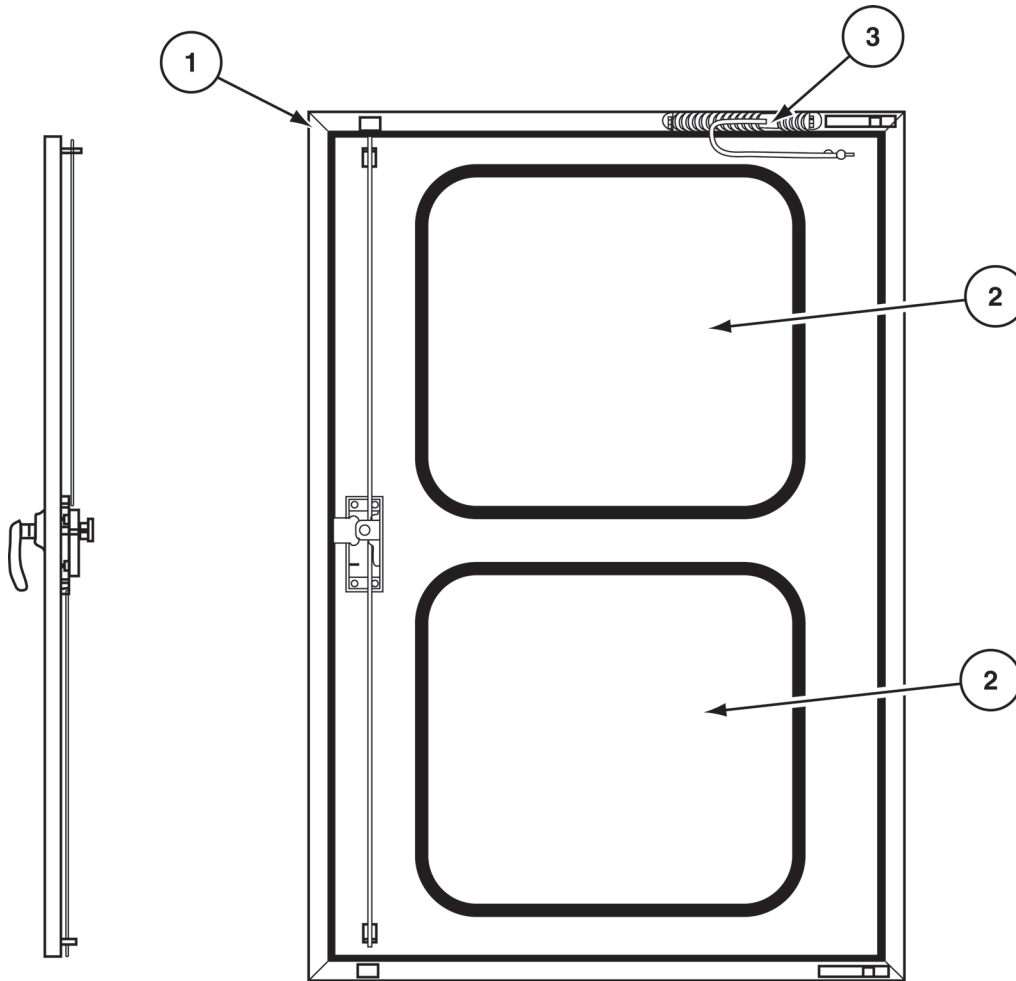
<u>ITEM PART NO. DESCRIPTION</u>	<u>QTY</u>	<u>ITEM PART NO. DESCRIPTION</u>	<u>QTY</u>
01 3372146 Door, Para Dual Frt Leaf Locking R/L	1		
NS 4970694 Bumper, Door Stopper Rubber 2¼" Blk	2		
NS 8970394 Tape, Window Sealex 8 x 142 ¼ x ½ AR	2		
NS 0379705 Tube, 14GA x 2 x 2 x 74.00	2		
0408326 Install, Light Lift Door Open (Dash)			
NS 3974480 Light, Indicator Red	1		
NS 3374845 Light, Indicator Red 14V	1		



REAR LIFT DOOR INTERIOR TRIM INSTALL

0410426 - 0409843

ITEM	PARTNO.	DESCRIPTION	QTY	ITEM	PARTNO.	DESCRIPTION	QTY
1	3371228	COVER, PARADOOR REAR POST	1				
2	3371244	COVER, PARADOOR FRONT POST	1				
3	3371229	COVER, LITE BAR TO PARADOOR ADAPTER	1				
4	3971963	SWITCH, DOOR POST JAMB N/C (4 TERM)	2				
5	3371674	COVER, LIFT DOOR JAMB SWITCH (GRAY)	2				
NS	4970493	GROMMET, RUBBER (7/16")	2				
NS	3371079	COVER, LIFT DOOR JAMB SWITCH	2				



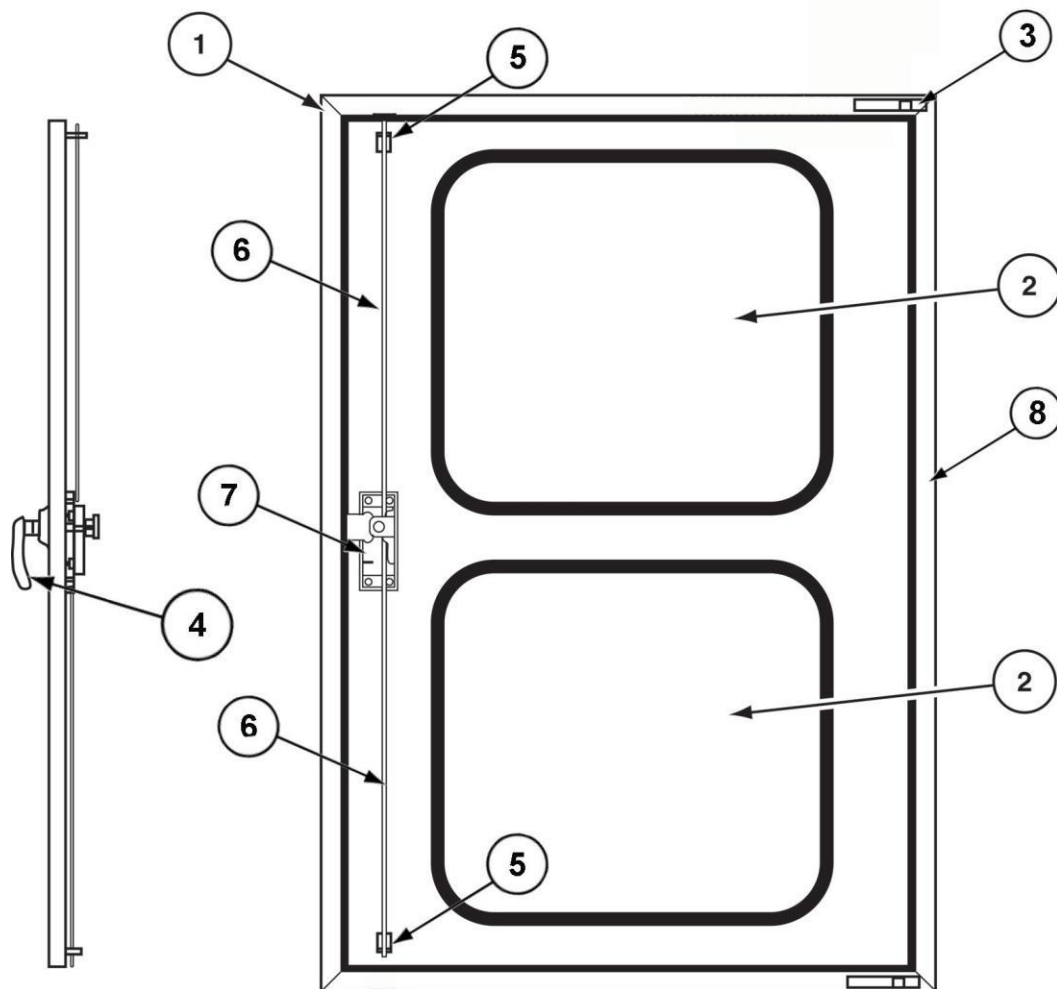
rear cargo door W/ 2 WINDoWS
cH0000054040

<i>ITEM PART NO.</i>	<i>DESCRIPTION</i>	<i>QTY</i>	<i>ITEM PART NO.</i>	<i>DESCRIPTION</i>	<i>QTY</i>
01	3371731 DOOR ASM.,CARGO (PRE-HUNG)	1			
02	5970874 WINDOW (24" x 22")	2			
03	0377705 STOP,CARGO DOOR	1			
N/S	3973898 ACTUATOR,REAR DOOR	1			

PICTURE NOT AVAILABLE AT THIS

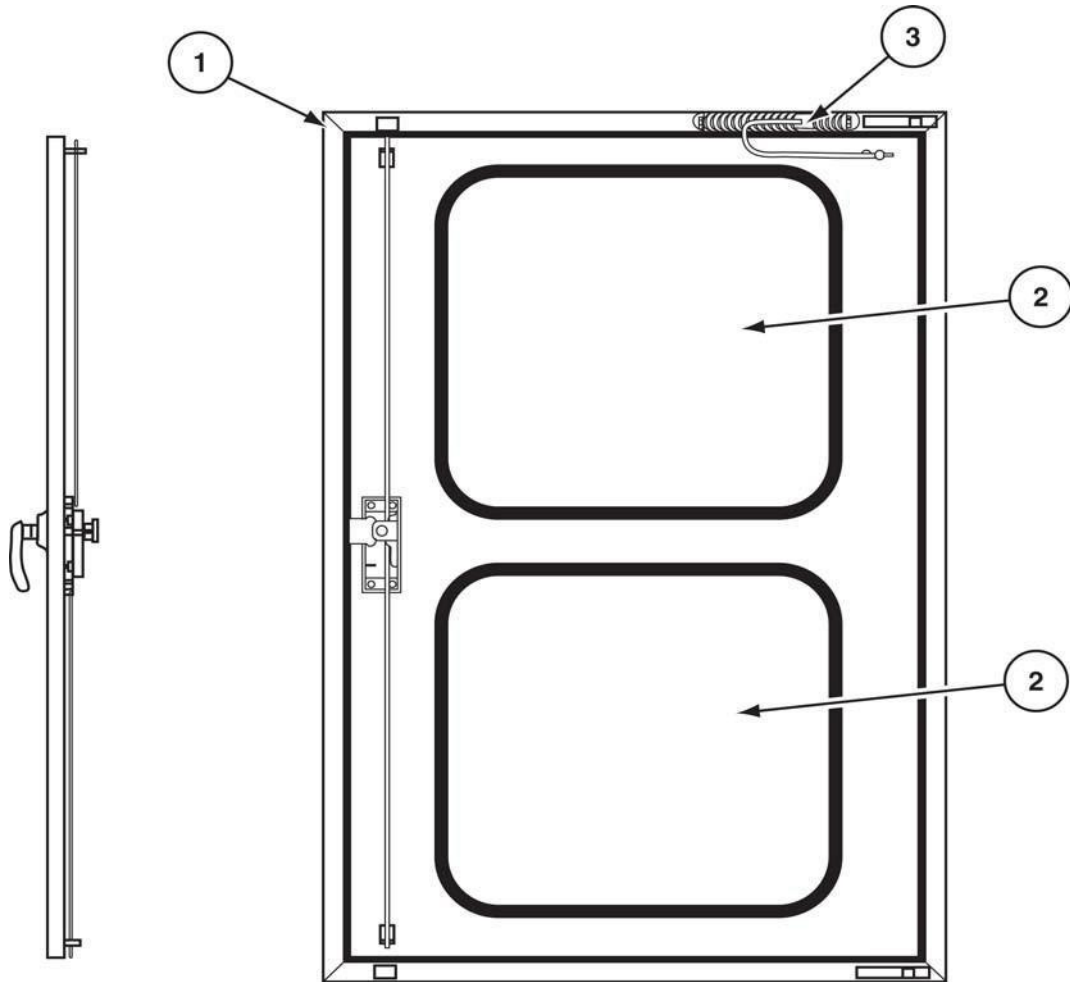
**WINDOW FILM W/20% TINT
0420699**

<i>ITEM</i>	<i>PART NO.</i>	<i>DESCRIPTION</i>	<i>QTY</i>	<i>ITEM</i>	<i>PART NO.</i>	<i>DESCRIPTION</i>	<i>QTY</i>
01	6570208	Film, Window Shatterguard 48" x 25' 20% Tnt	1				



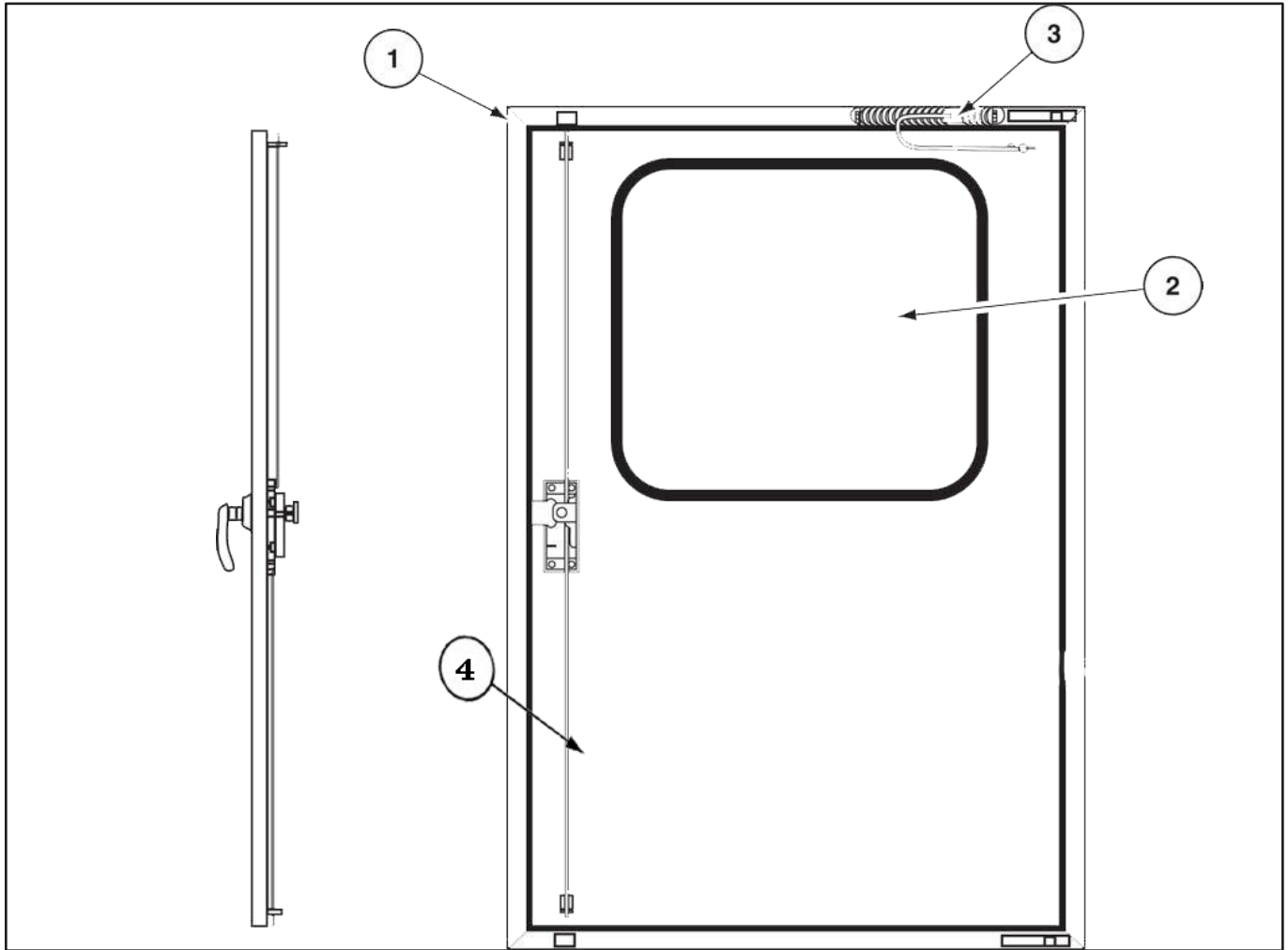
**rear door composite W/ 2 WiNdOWs
0416961/0414670 (LoCKiNG or NoN-LoCKiNG)**

<i>ITEM PART NO.</i>	<i>DESCRIPTION</i>	<i>QTY</i>	<i>ITEM PART NO.</i>	<i>DESCRIPTION</i>	<i>QTY</i>
01	3371877 DOOR,CARGO REARS/S JAMB(PRE-HUNG)	1			
02	5970874 WINDOW (24" x 22")	2			
3	0377705 STOP,CARGO DOOR	1			
4	1015206 HANDLE,LOCKING OUTSIDE	1			
4	1015207 HANDLE,NON-LOCKING OUTSIDE	1			
5	0374253 GUIDE,REAR CARGO DOOR ROD	2			
06	4970182 DOOR ROD,48"	2			
7	4970457 LATCH,3-POINT CENTERCNTRL W/248" RODS	1			
8	1015590 HINGE,3-POINT FOR 1230 DOOR	1			
N/S	1015254 HANDLE,INSIDE	1			
N/S	3973898 ACTUATOR,REAR DOOR	1			



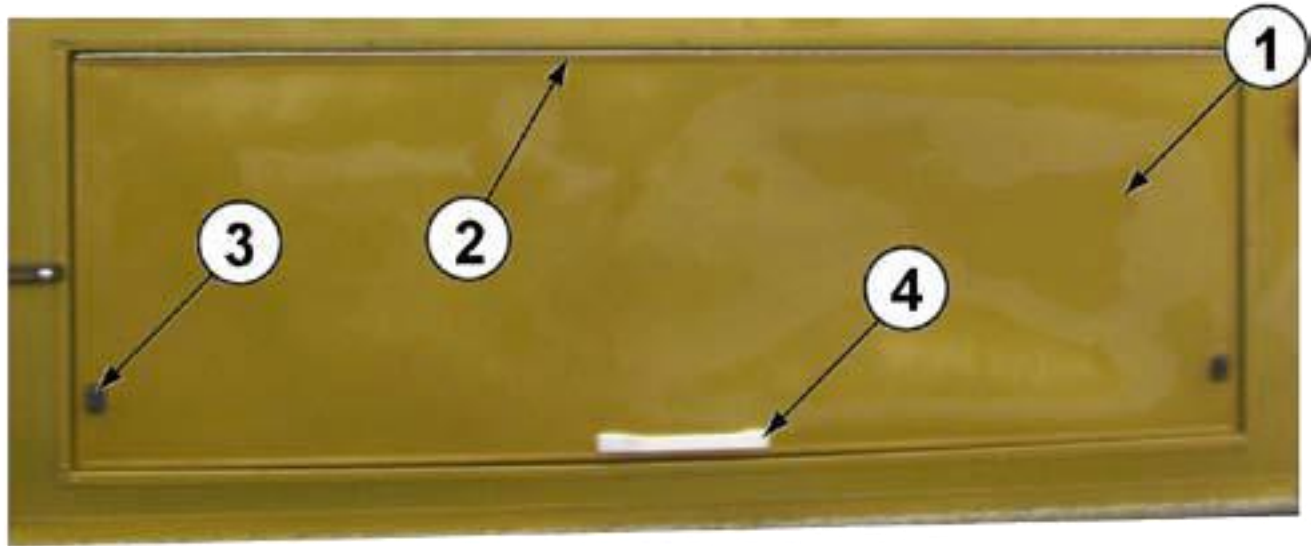
COMPOSITE REAR DOOR W/2 WINDOWS
0415284

<i>ITEM PART NO. DESCRIPTION</i>	<i>QTY</i>	<i>ITEM PART NO. DESCRIPTION</i>	<i>QTY</i>
1 3371731 DOOR, CARGO REAR PRE-HUNG	1		
2 5970874 WINDOW, 24 X 22 REAR CARGO DOOR	2		
3 0377705 HOLDER, REAR DOOR	1		



Rear Door Composite with 1 Window CX0000054039 (Rev-a)

<i>ITEM PART NO. DESCRIPTION</i>	<i>QTY</i>	<i>ITEM PART NO. DESCRIPTION</i>	<i>QTY</i>
1 0402566 Backwall, Frame 4 Deg 37X56	1		
2 5970874 Window, 24 X 22 Rear Cargo Door	1		
3 0414670 Holder Cargo Door Stop			
0377705 Holder, Rear Door	1		
4 3371731 Door, Cargo Rear Pre-Hung	1		
NS 0402728 INT BKWL 37.13x56	1		
NS 8970536 Tape Double Sided VHB 4959	A/R		
NS 8970394 Tape Window Sealex SX1412	A/R		
NS 3973898 Actuator, Rear Door	1		



rear cargo door - bustle back 0419463

<i>ITEM PART NO. DESCRIPTION</i>	<i>QTY</i>	<i>ITEM PART NO. DESCRIPTION</i>	<i>QTY</i>	
0419218 Door, Rear Cargo 94" CH BB		0419463 Jamb, Rear Cargo 94" CH BB		
1	0970105 Panel, Gelcoat 48 x 96 1.7mm Thick	1	NS 4570105 Z, .75 x 1 x 2 x 120 Aluminum	2
2	4970662 Hinge, S/S 2" x 72" Staggered Holes	1	NS 0419217 Backwall, Frame CH Bustle 94" Rear	1
3	4970574 Latch, Wise Action Tubular Key	2		
4	Not Available at this Time			
NS	3351566 Seal, Trim Lok Large Bulb	1		
NS	1570283 U-Channel, Rigid 1-1/8" x 8' Dull White	2		
NS	4970545 Strut, Gas 60# 14.0"	2		
NS	4541173P Cap, Drip 16' Polar White	1		
NS	0970116 Filon, 48" x 96" .035 Smooth White	1		



PARATRANSIT DOOR
0415771 - 3371756

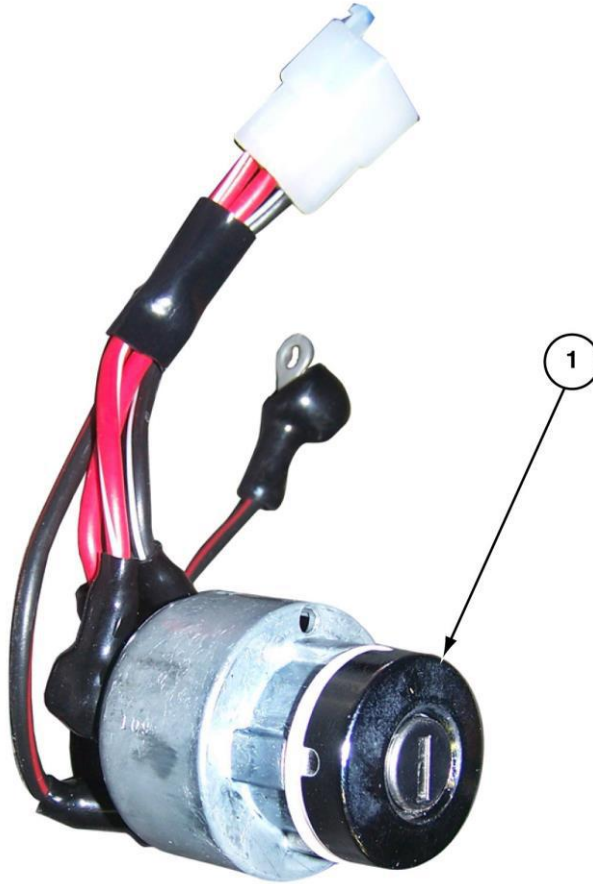
<i>ITEM</i>	<i>PART NO.</i>	<i>DESCRIPTION</i>	<i>QTY</i>
01	3371756	DOOR ASSEMBLY, DUAL LEAF COMPOSITE	1

<i>ITEM</i>	<i>PART NO.</i>	<i>DESCRIPTION</i>	<i>QTY</i>
-------------	-----------------	--------------------	------------



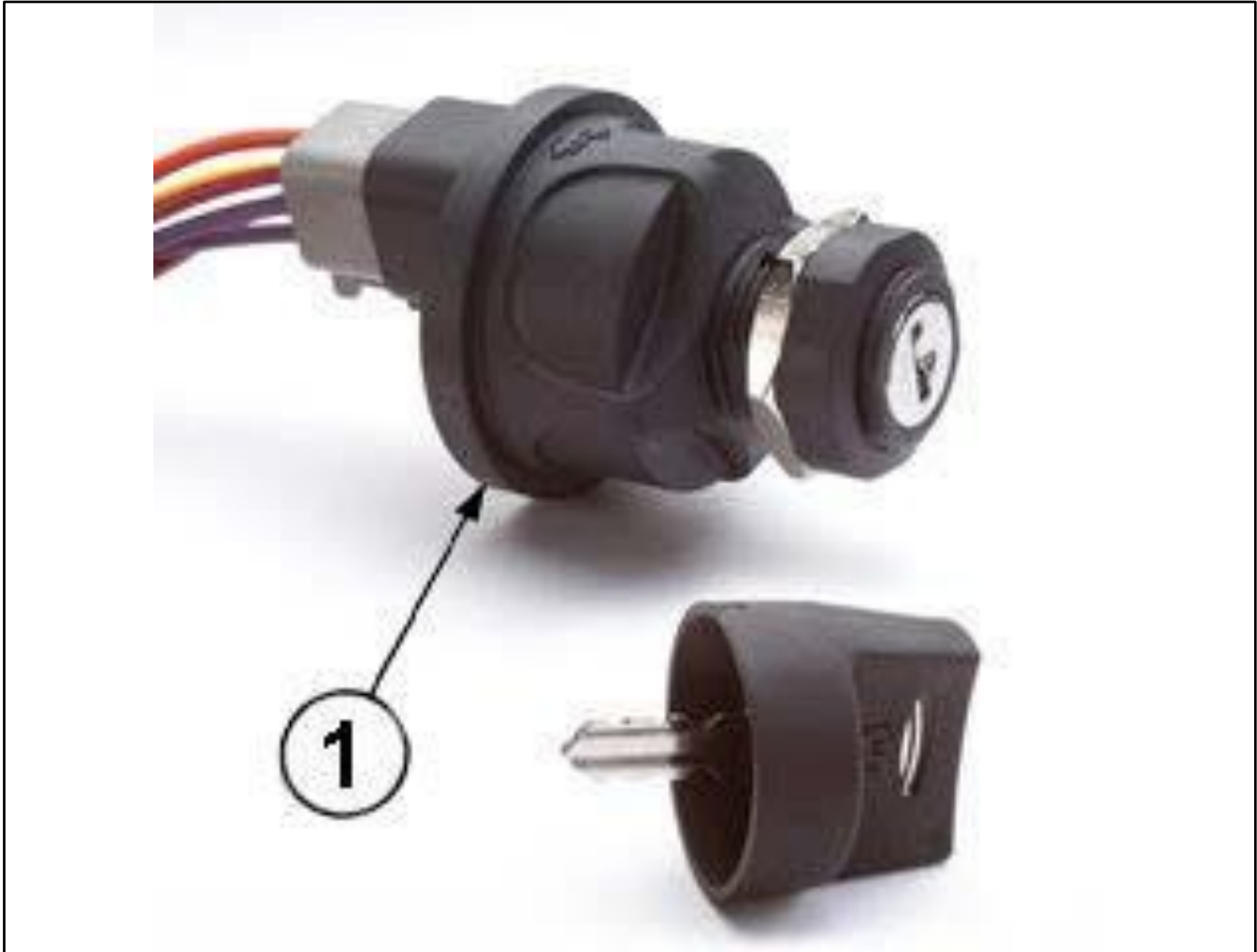
PARATRANSIT DOOR, DuAI
0416960

<i>ITEM</i>	<i>PART NO.</i>	<i>DESCRIPTION</i>	<i>QTY</i>	<i>ITEM</i>	<i>PART NO.</i>	<i>DESCRIPTION</i>	<i>QTY</i>
01	3371876	DOOR, PARA DUAL PRE-HUNG S/S JAMB	1				



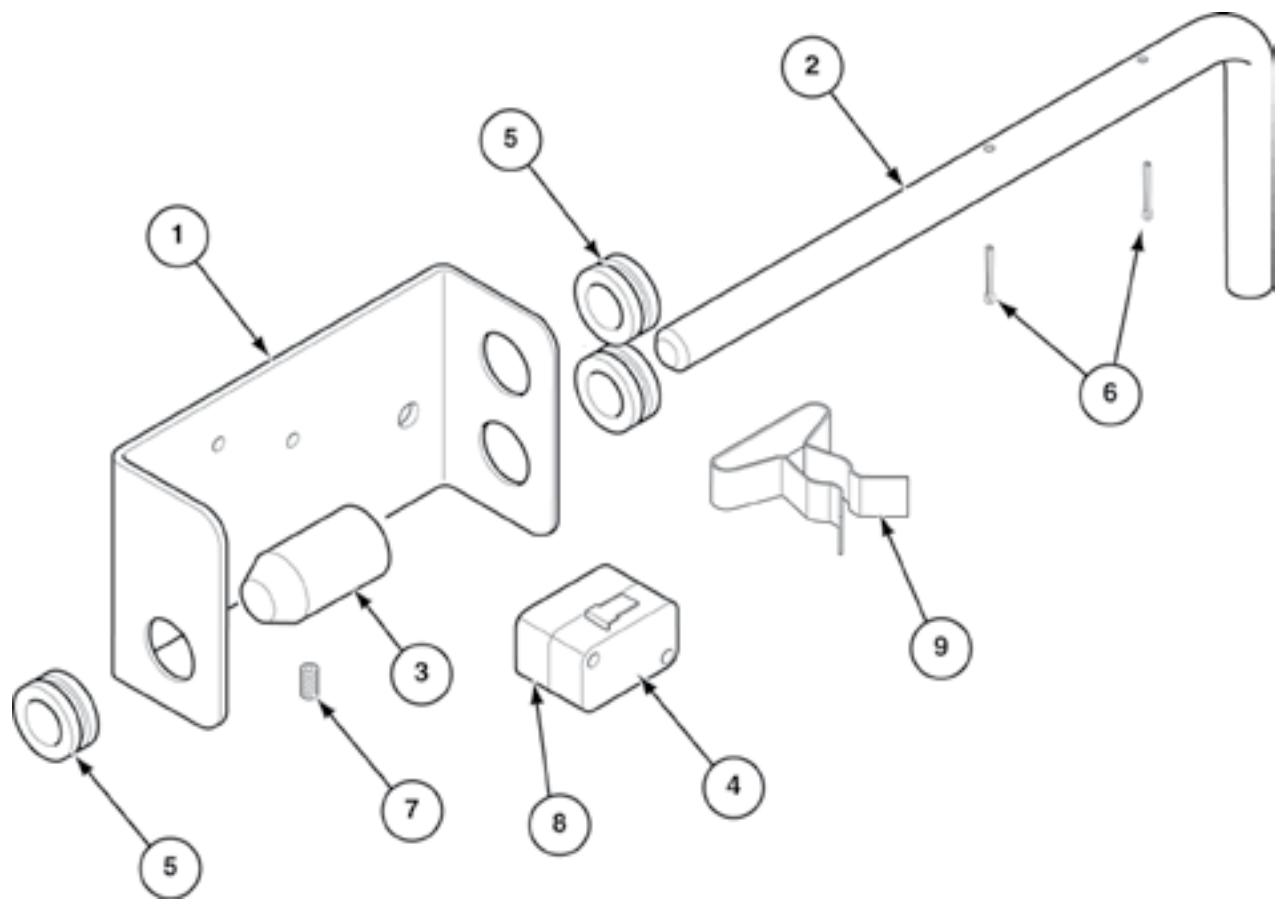
SwiTCh kEyEd ENTRy dOOr kuBOTA
0409122 / CX0000020092

<i>ITEM PART NO. DESCRIPTION</i>	<i>QTY</i>	<i>ITEM PART NO. DESCRIPTION</i>	<i>QTY</i>
01 3972731 SWITCH,KEYED ENTRANCE DOOR KUBOTA	1		



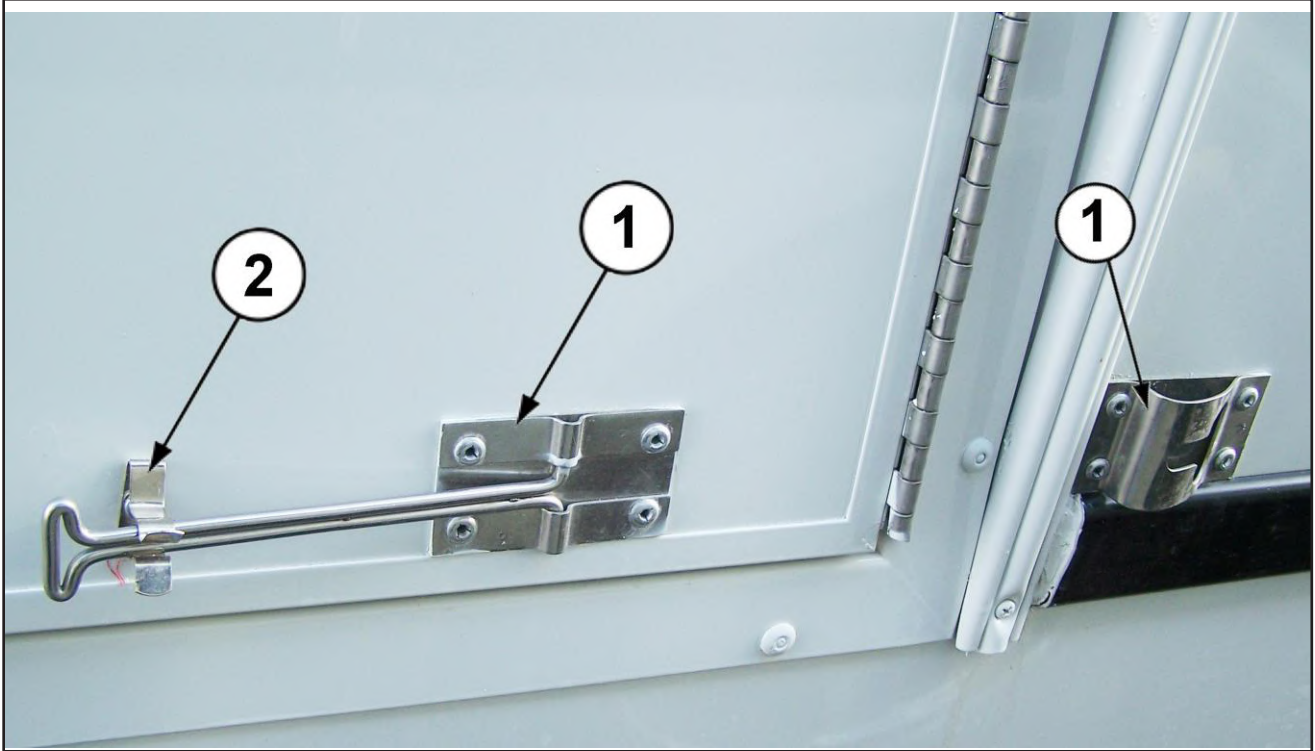
keyed entry door switch
0421732 - 3975909

<i>ITEM</i>	<i>PART NO.</i>	<i>DESCRIPTION</i>	<i>QTY</i>	<i>ITEM</i>	<i>PART NO.</i>	<i>DESCRIPTION</i>	<i>QTY</i>
01	3975909	Switch, Keyed Entry Door	AR				



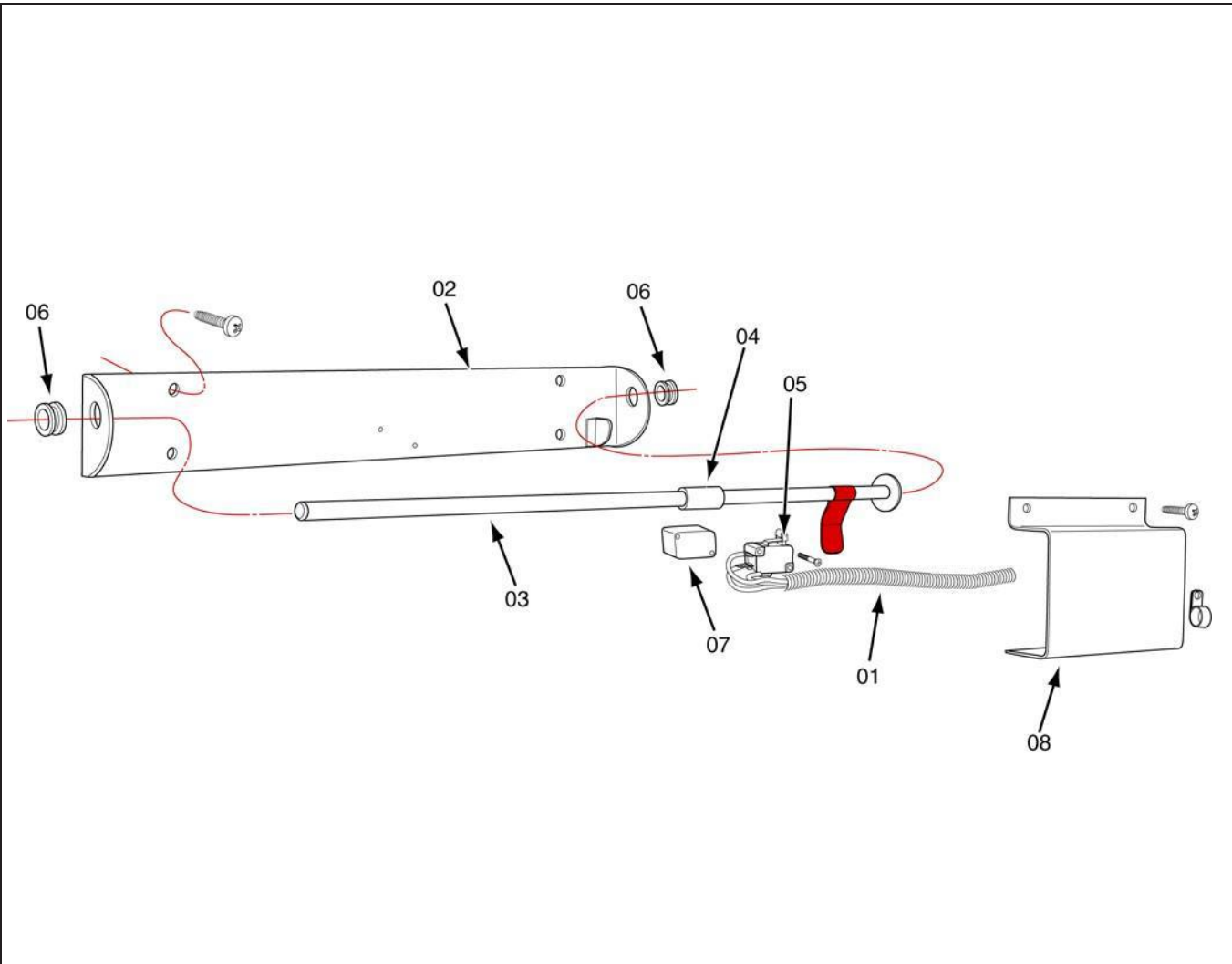
rear door lock barrel bolt & dash light cX0000054058 / 0412358 / cX-000-900-4058

ITEM	PART NO.	DESCRIPTION	QTY	ITEM	PART NO.	DESCRIPTION	QTY
1	0377521	BRACKET, REAR DOOR LOCK BARREL BOLT	1	07	8570860	SET-SCREW (6-32 x 1/4)	1
2	0377522	ROD, REAR DOOR LOCK BARREL BOLT	1	8	3970894	SPACER, SWITCH	1
3	0374300	SLEEVE, DOOR LOCK	1	9	8571308	HOLDER, SPRING ACTION	1
4	3971790	SWITCH, MICRO w/ROLLER LEVER	1	N/S	4370103	SWITCH COVER, STEEL BLACK HIDE 26GA 48X96	1
05	3971506	BUSHING, SNAP 1/2"		N/S	3973085	LIGHT, BUZZ NO ENGRAVING	1
06	8570210	COTTER-PIN (3/32" x 1 1/4")	2	N/S	0377815	Bracket, Rear Door Latch Stif Spring	1



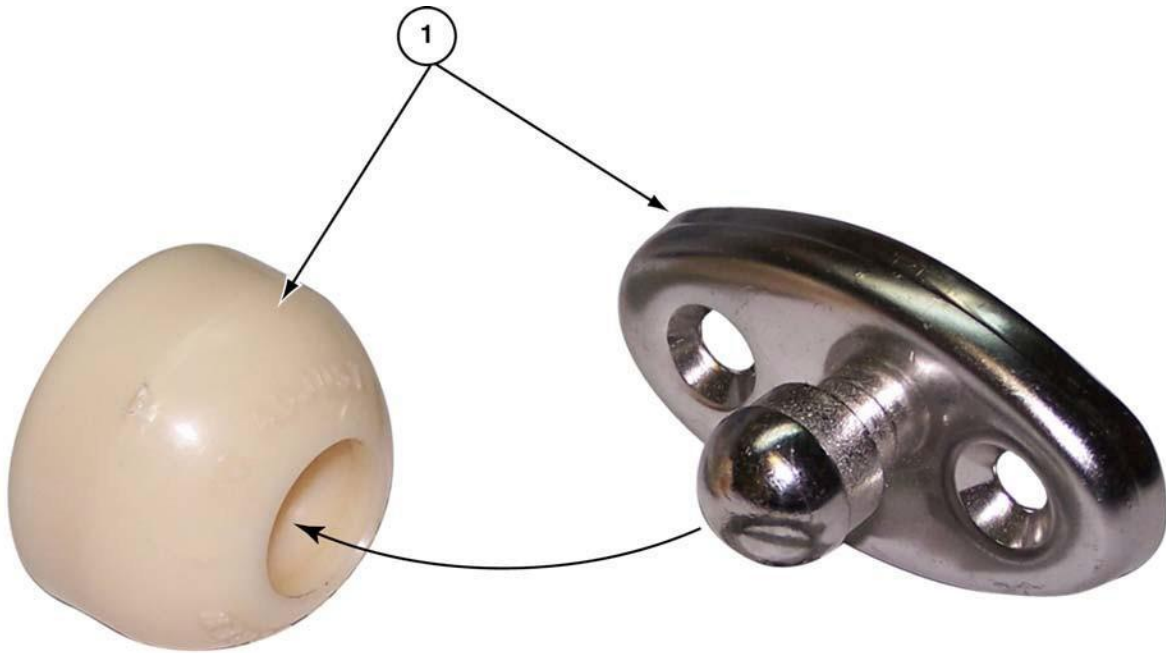
rear door holder - latch 6"
0418316 / 0418315

<i>ITEM PART NO. DESCRIPTION</i>	<i>QTY</i>	<i>ITEM PART NO. DESCRIPTION</i>	<i>QTY</i>
01 4570187 Holder, Door 6" S/S	1		
02 8571308 Holder, Spring Action	1		
NS 0364836 Steel, Flat 16GA x 3" x 96"	AR		



INSTALL IGNITION REAR DOOR INTERLOCK CH-000-900-0140

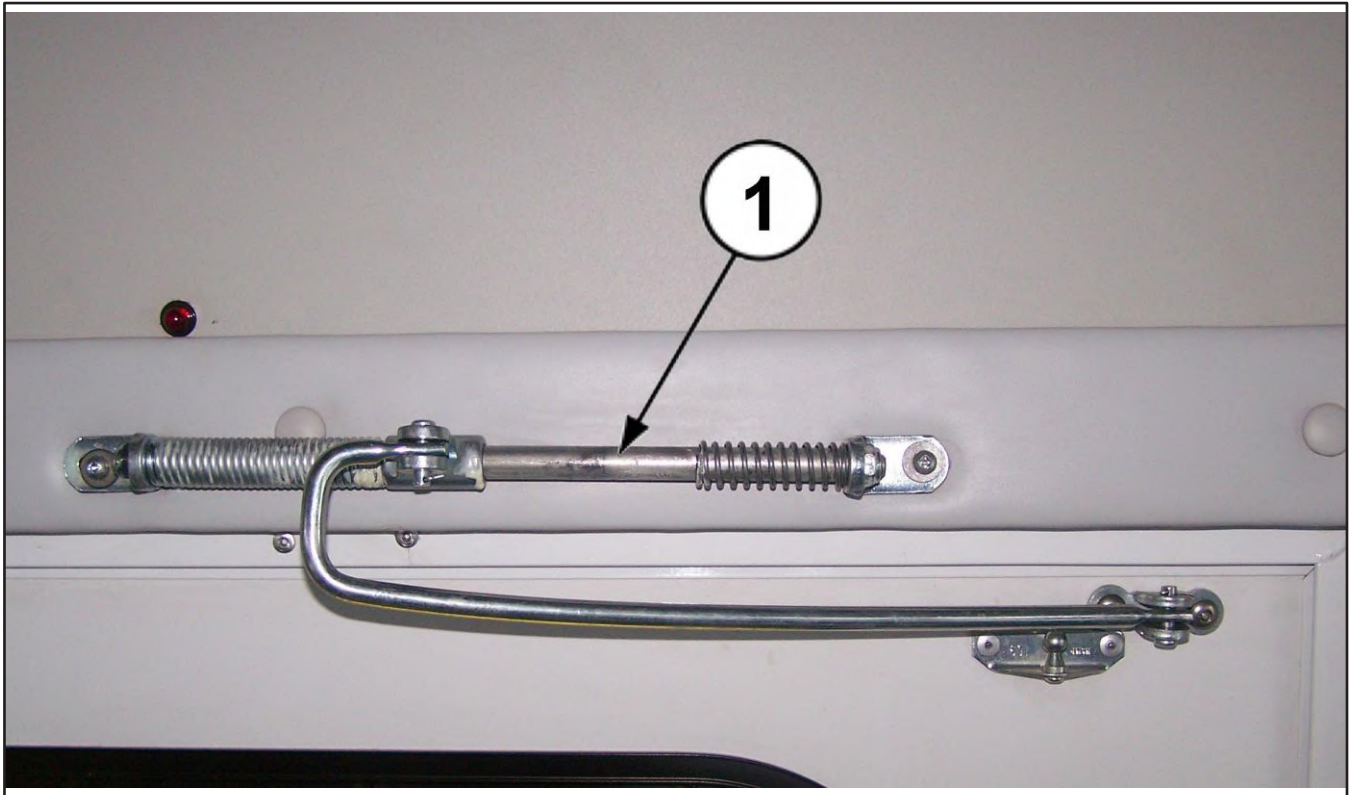
ITEM	PART NO.	DESCRIPTION	QTY	ITEM	PART NO.	DESCRIPTION	QTY
1	NSS	WIRE HARNESS	1				
2	0400926	LOCK, REAR DOOR	1				
3	0374298	ROD, DOOR LOCK	1				
4	0374300	SLEEVE, DOOR LOCK	1				
5	3971790	SWITCH, MICROW/ROLLER LEVER	1				
06	3971506	BUSHING, SNAP (1/2")	2				
7	3970894	SPACER, SWITCH	1				
8	0413579	COVER, SWITCH DOOR	1				



INSTALL PARATRANSIT DOOR HOLDER

0407767

ITEM	PARTNO.	DESCRIPTION	QTY	ITEM	PARTNO.	DESCRIPTION	QTY
01	5370275	HOLDER, PARATRANSIT DOORDELUXE	1				



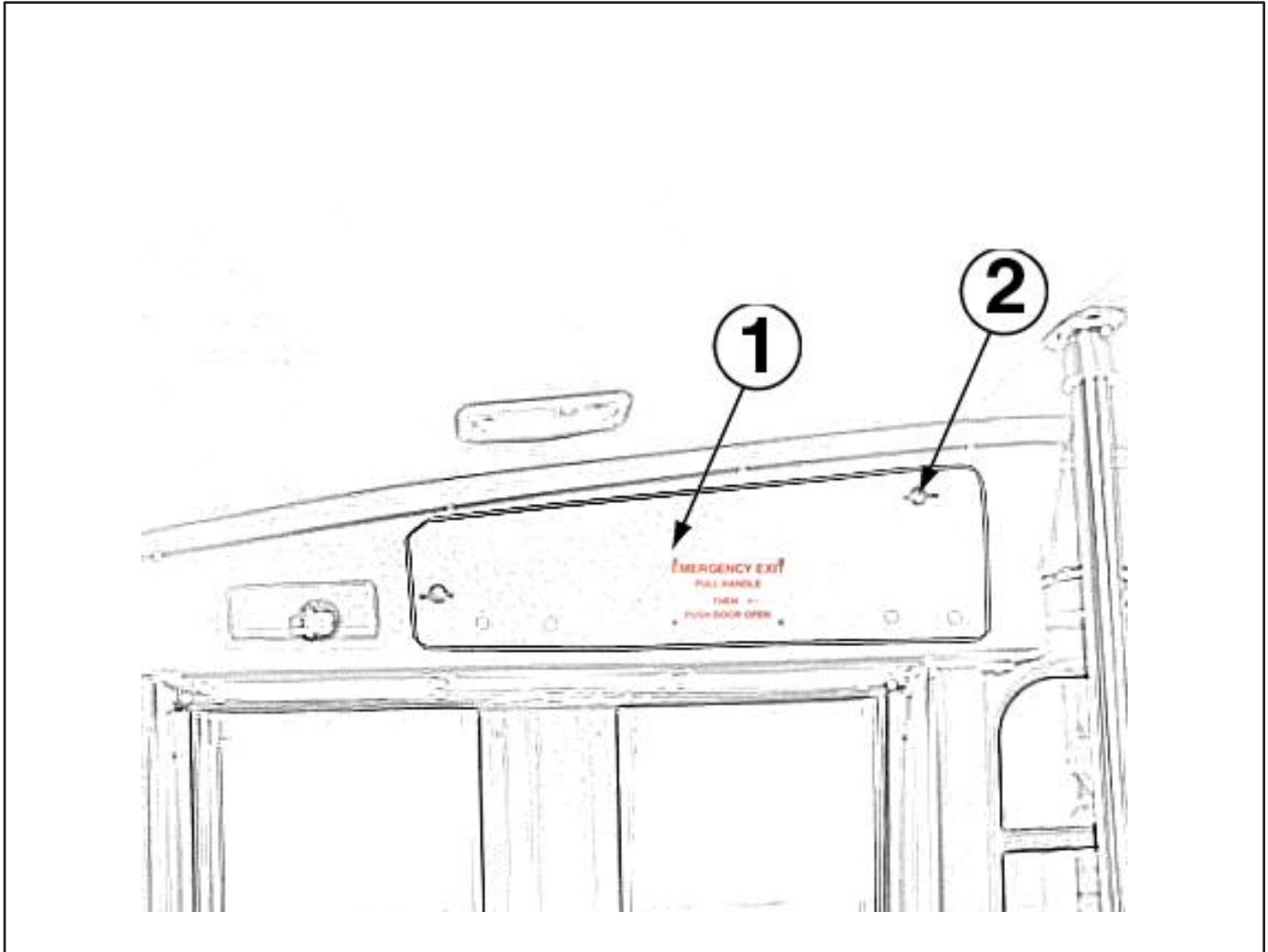
**holder, rear door spring closer
4970454**

<i>ITEM PART NO. DESCRIPTION</i>	<i>QTY</i>	<i>ITEM PART NO. DESCRIPTION</i>	<i>QTY</i>
01 4970454 Holder, Door Spring Closer (Rear Door)	1		



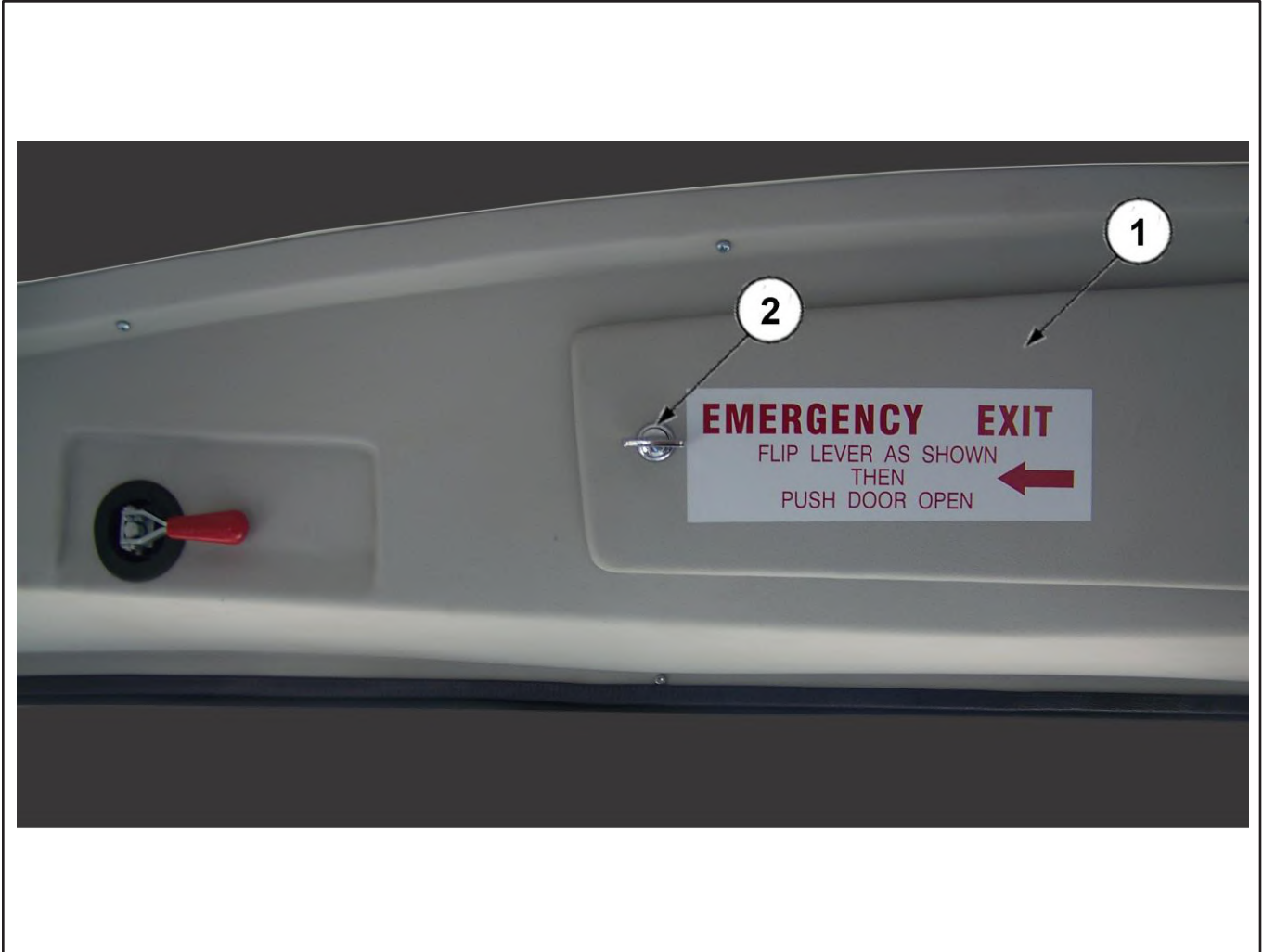
DOOR CONTROL ACCESS PANEL 0415978 (REVISED 8/2013)

<i>ITEM PART NO. DESCRIPTION</i>	<i>QTY</i>	<i>ITEM PART NO. DESCRIPTION</i>	<i>QTY</i>
1 3371927 Panel, Door Header Access Entry	1		
2 4941520 Lock, Thumb Complete	2		
NS 3371437 Cover, 30" Entry Door Header ABX	1		



**door access control DARK GRAY
0416028**

<i>ITEM PART NO. DESCRIPTION</i>	<i>QTY</i>	<i>ITEM PART NO. DESCRIPTION</i>	<i>QTY</i>
1 3371437D Cover 30" Ent Door Header ABS Dark1			
2 4941520 Lock Thumb	2		
NS 3371927D Panel, Door Header Access Drk Gray 1			



door control access - It gray
0418473

<i>ITEM PART NO. DESCRIPTION</i>	<i>QTY</i>	<i>ITEM PART NO. DESCRIPTION</i>	<i>QTY</i>
1 3371438 Cover, 40" Entry Door Header ABS	4		
2 4941520 Lock, Thumb Complete	2		
NS 4970662 Hinge, S/S 2" x 72" Staggered Holes	.5		



padded door header - 40" door
ch-000-900-3245

<u>ITEM PART NO.</u>	<u>DESCRIPTION</u>	<u>QTY</u>	<u>ITEM PART NO.</u>	<u>DESCRIPTION</u>	<u>QTY</u>
01	7371128 Vinyl, Harbor Moonbeam	AR			
NS	0970014 Lauan, Raw 3.6 x 48 x 96.0	AR			
NS	8570697 Staple, CO3 BAAPM Silver	AR			
NS	8570735 Screw, 8 1-1/2 Pan Quad Zinc	10			
NS	8542219 Washer, #8 Trim Counter Sink	10			



30" Padded door header
cx0000073244 / 0403610

<i>ITEM PART NO. DESCRIPTION</i>	<i>QTY</i>	<i>ITEM PART NO. DESCRIPTION</i>	<i>QTY</i>
01 7371128 Vinyl, Harbor Moonbeam	A/R		
NS 7370497 Cap, Snap Vinyl Moonbeam Grey	8		
NS 857735 Screw, 8 x 1½ Pan Quad Zinc	A/R		

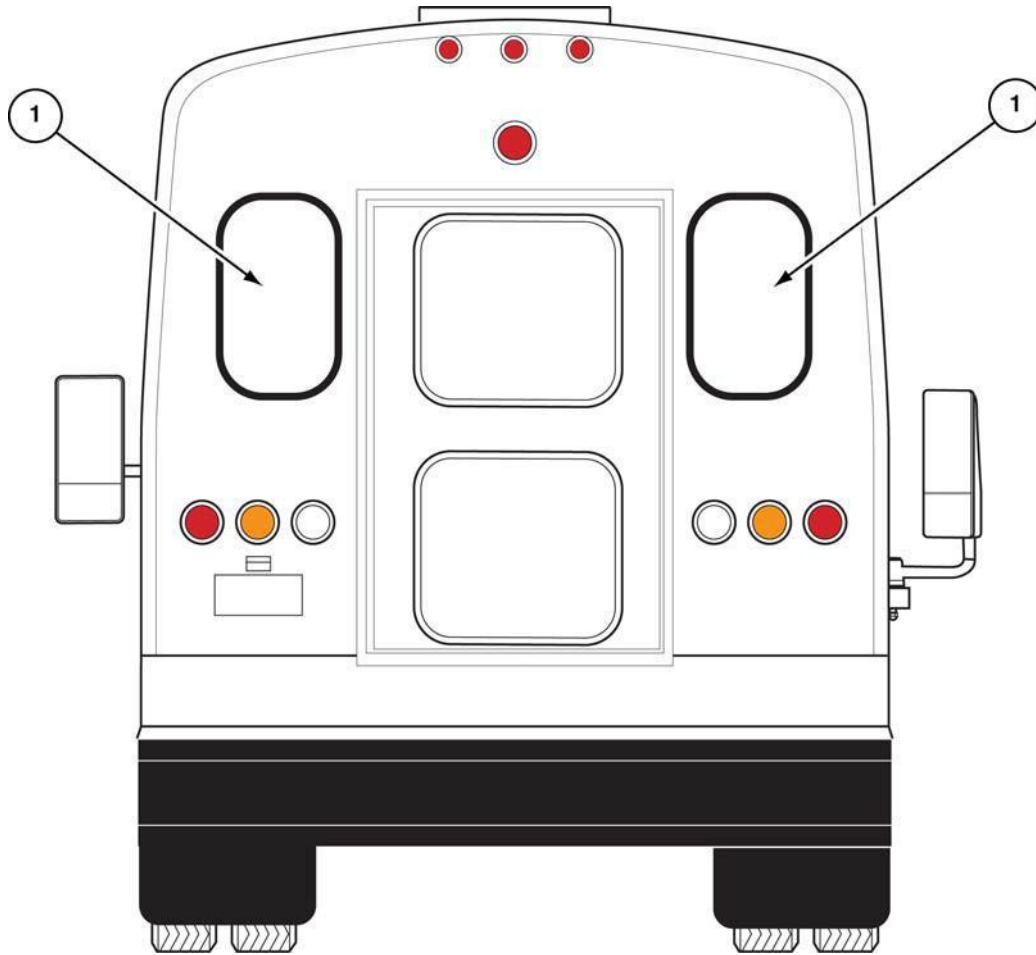


**CHAMPION
BUS, INC.**

Wholly owned subsidiary of Thor Industries, Inc.

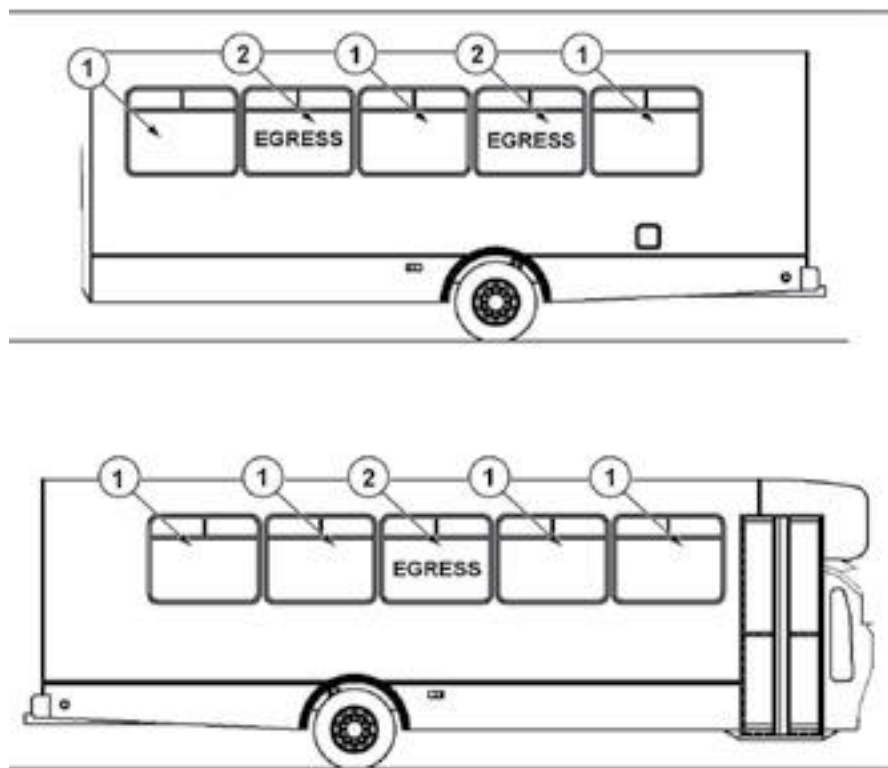
SECTION 6:

WINDOWS



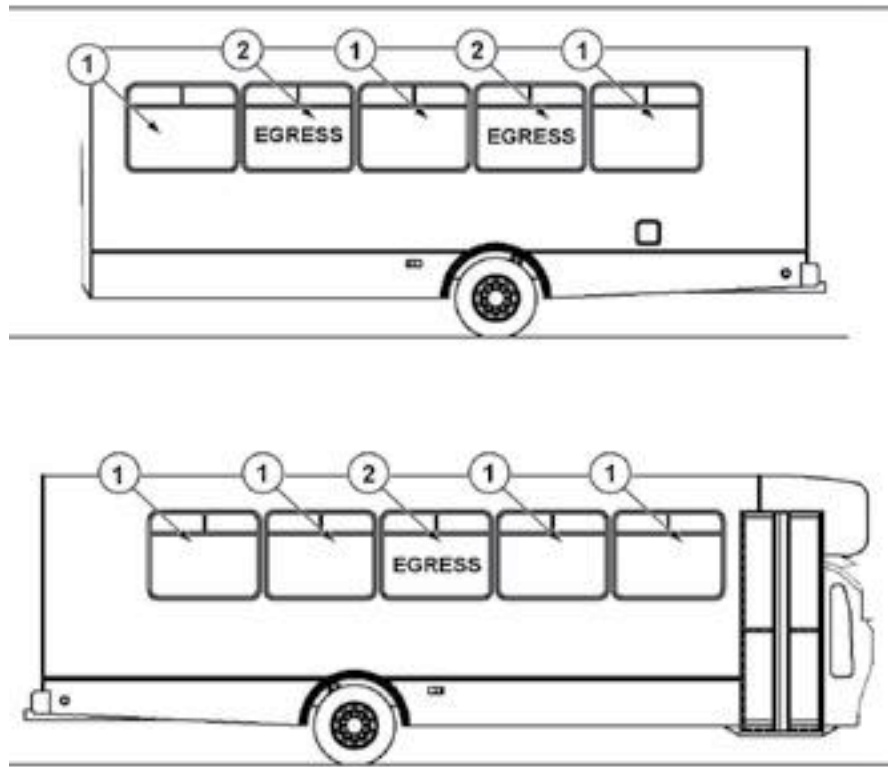
WINDOW 13 X 23 SOLID
CX0000052956 / 0403038

<i>ITEM PART NO. DESCRIPTION</i>	<i>QTY</i>	<i>ITEM PART NO. DESCRIPTION</i>	<i>QTY</i>
01 5940705 WINDOW,5464-232-132-2821-021	2		



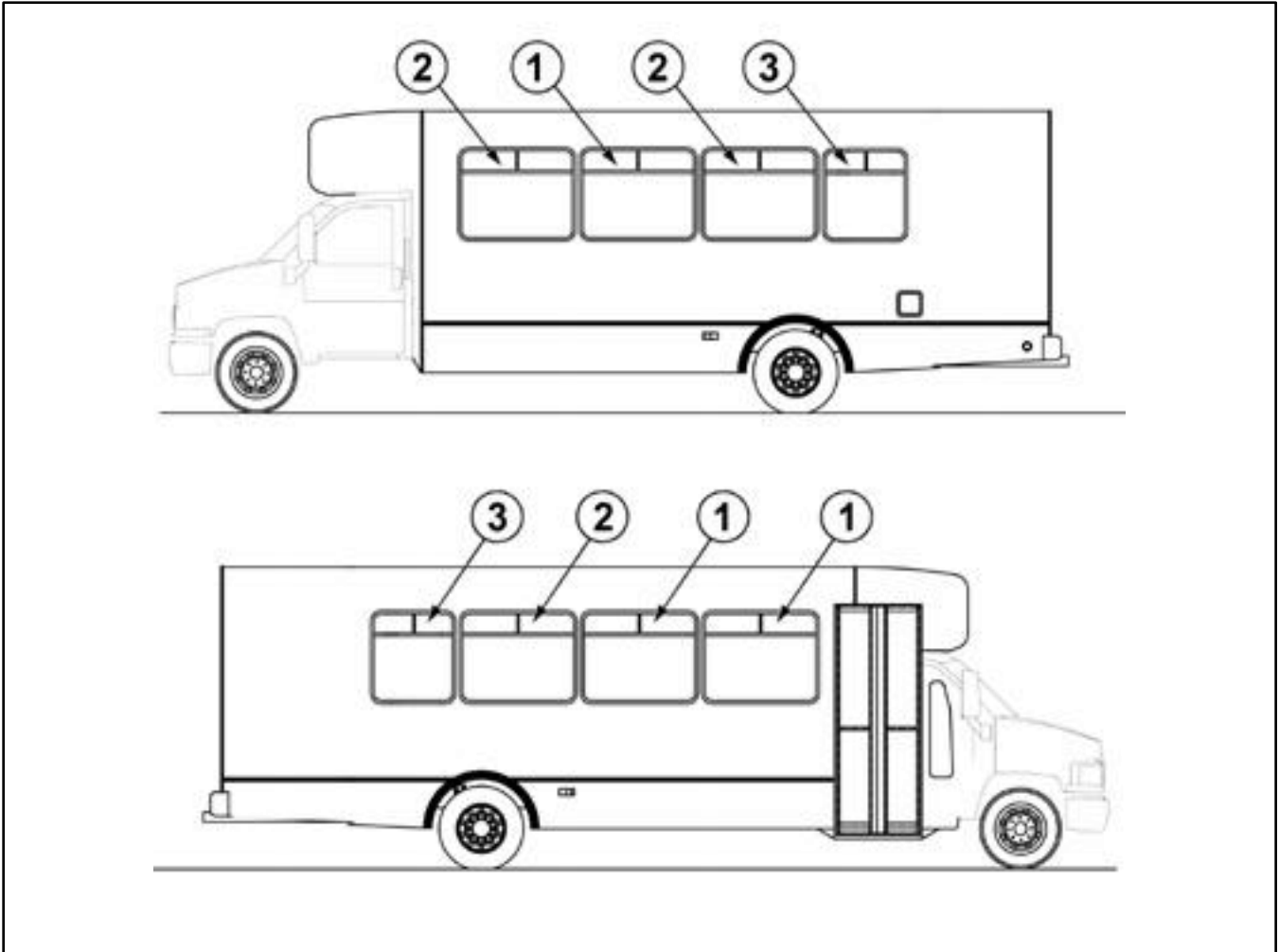
PASSENGER WINDOWS 33FT F-550 0419313

<i>ITEM</i>	<i>PART NO.</i>	<i>DESCRIPTION</i>	<i>QTY</i>	<i>ITEM</i>	<i>PART NO.</i>	<i>DESCRIPTION</i>	<i>QTY</i>
01	5970953	Window, 36.38 x 46.5 Sgl Center	7				
02	5970954	Window, 36.38 x 46.5 Sgl Ctr Egress	3				



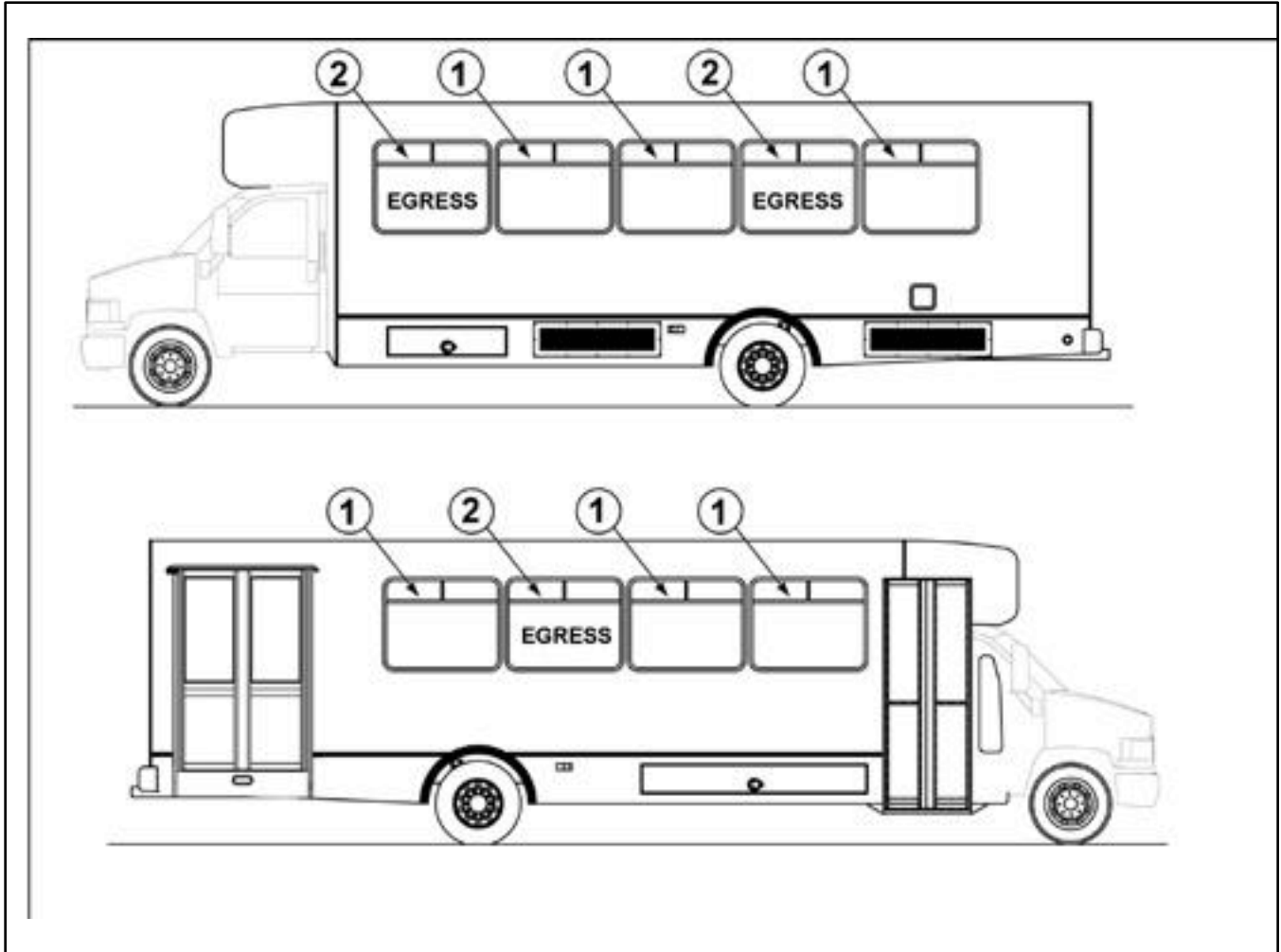
tour style WINDoWs 33Ft F-550 0419315

<i>ITEM PART NO. DESCRIPTION</i>	<i>QTY</i>	<i>ITEM PART NO. DESCRIPTION</i>	<i>QTY</i>
01 5971025 Window, Bonded 36.38 x 46.5	7		
02 5971023 Window, Bonded 36.38 x 46.5 Egress	3		
NS 5970866 Seal, Egress Window 300' Roll	25		



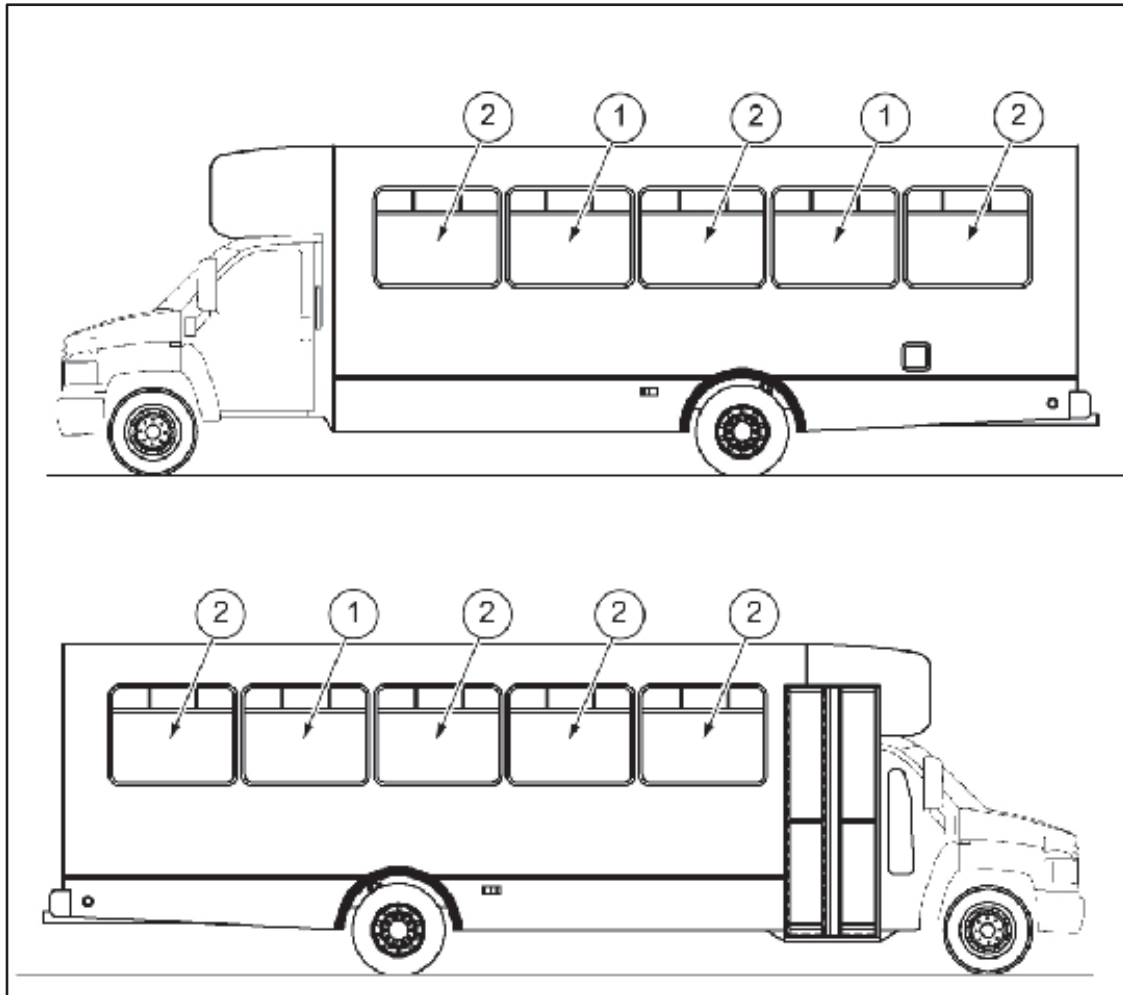
**passenger windows df 29-ft - f-550
0419112**

<i>ITEM</i>	<i>PART NO.</i>	<i>DESCRIPTION</i>	<i>QTY</i>	<i>ITEM</i>	<i>PART NO.</i>	<i>DESCRIPTION</i>	<i>QTY</i>
01	5970953	Window, 36.38 x 46.5 Sngl Cntr Slide	3				
02	5970954	Window, 36.38 x 46.5 Egress Sngl Ctr	3				
03	5970957	Window, 36.38 x 24.5 Sngl Cntr Slide	2				



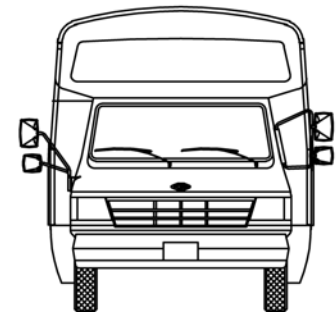
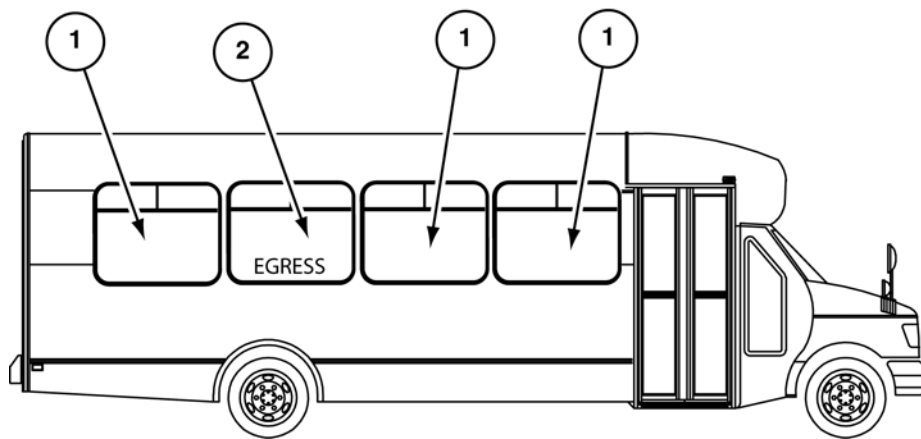
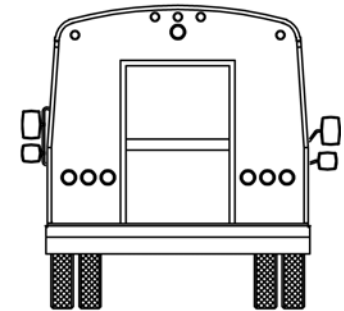
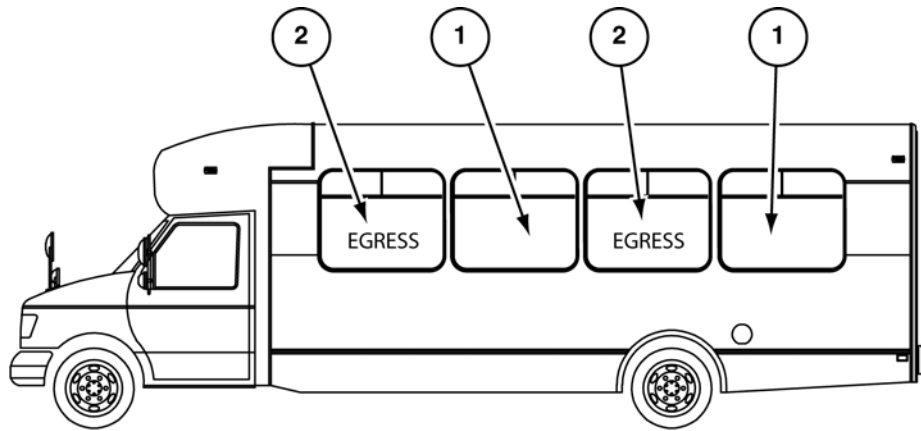
**passenger windows df 29' rL, f-550
0419109**

<i>ITEM</i>	<i>PART NO.</i>	<i>DESCRIPTION</i>	<i>QTY</i>	<i>ITEM</i>	<i>PART NO.</i>	<i>DESCRIPTION</i>	<i>QTY</i>
1	5970953	Window, 36.38 x 46.5 Sngl Cntr Slide	6				
2	5970954	Window, 36.38 x 46.5 Egress Sngl Ctr	3				



windows, chch273 single t 30"
0413661

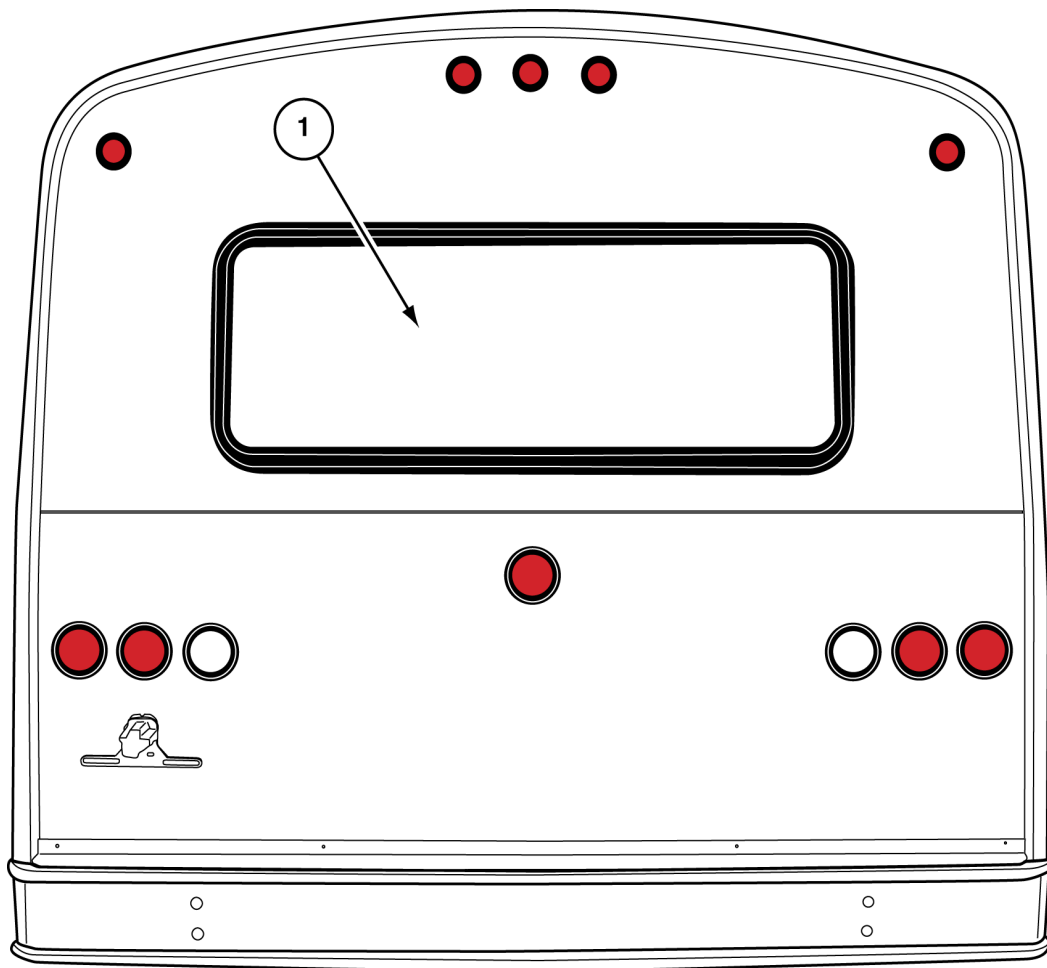
<i>ITEM PART NO. DESCRIPTION</i>	<i>QTY</i>	<i>ITEM PART NO. DESCRIPTION</i>	<i>QTY</i>
01 5970954 Window, 36.38 x 46.50 Single Egress	3		
02 5970953 Window, 36.38 x 46.50 Single Slide	7		
N/S 8971071 Tape, Butyl Coated Foam 7mm Dia	A/R		



PASSENGER WINDOWS (CH270)

0413659

<i>ITEM PART NO. DESCRIPTION</i>	<i>QTY</i>	<i>ITEM PART NO. DESCRIPTION</i>	<i>QTY</i>
1 5970953 WINDOW (38.38 x 46½) SINGLE CTR SLIDE	5		
2 5970954 WINDOW, EGRESS (36.38 x 46½) SGL CTR SLIDE	3		



REAR WINDOW
0406553

<i>ITEM PART NO. DESCRIPTION</i>	<i>QTY</i>	<i>ITEM PART NO. DESCRIPTION</i>	<i>QTY</i>
01 5970515 WINDOW, REAR 22 x 60 W/DOUBLE HANDLES	1		
N/S 8970545 SEAL, WINDOW	A/R		



observation window f550 0420048

<i>ITEM PART NO. DESCRIPTION</i>	<i>QTY</i>	<i>ITEM PART NO. DESCRIPTION</i>	<i>QTY</i>
01 5971147 Window, Destination 11 x 53½ F550	1		
NS 8971071 Tape, Butyl Coated Foam 7mm x 48'	AR		
NS 4540142 Angle, Aluminum 1 x 1½ x 12'	.5		

EXTERIOR



INTERIOR



**observation window CC/bg/Ct
0409984**

<i>ITEM PART NO. DESCRIPTION</i>	<i>QTY</i>	<i>ITEM PART NO. DESCRIPTION</i>	<i>QTY</i>
01 5970157 Window, Destination	1		
NS 8971071 Tape, Butyl Coated Foam 7mm x 48' AR			

EXTERIOR

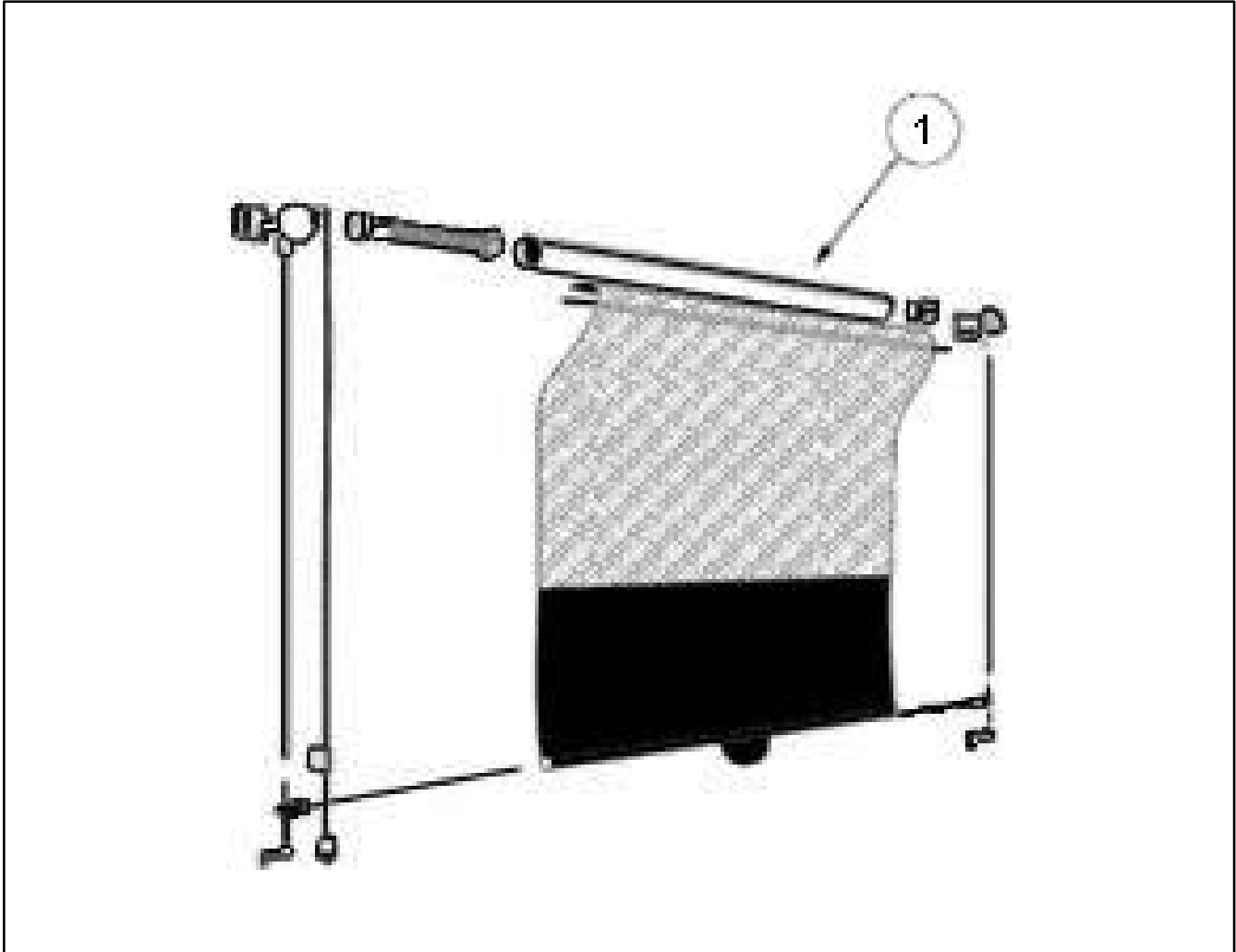


INTERIOR



observation window ch/cr
0406704, 0404173

<i>ITEM PART NO. DESCRIPTION</i>	<i>QTY</i>	<i>ITEM PART NO. DESCRIPTION</i>	<i>QTY</i>
01 5970272 Window, Destination	1		
N/S 8570739 Screw, 8 x 3/4 Pan Quad Black	24		
N/S 7970043 Sealant, Bostik 2100	A/R		
N/S 8971071 Tape, Butyl Coated Foam 7mm X48'	10		



AUTOMOTION SUN SHADE 47" X 38"
5370637

<i>ITEM</i>	<i>PART NO.</i>	<i>DESCRIPTION</i>	<i>QTY</i>	<i>ITEM</i>	<i>PART NO.</i>	<i>DESCRIPTION</i>	<i>QTY</i>
01	5370637	SHADE, WINDOS 47"W x 38"H BLK	7				

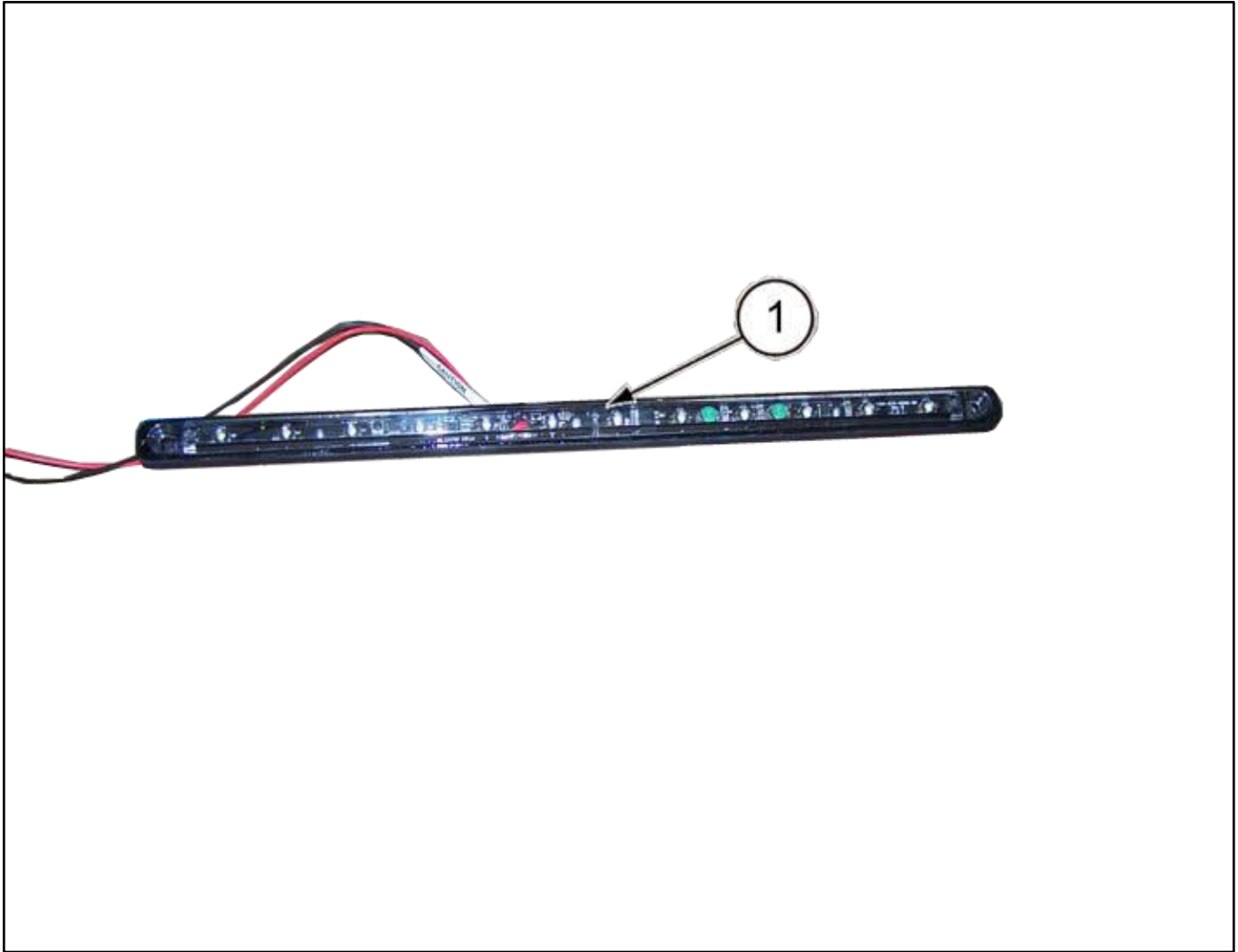


**CHAMPION
BUS, INC.**

Wholly owned subsidiary of Thor Industries, Inc.

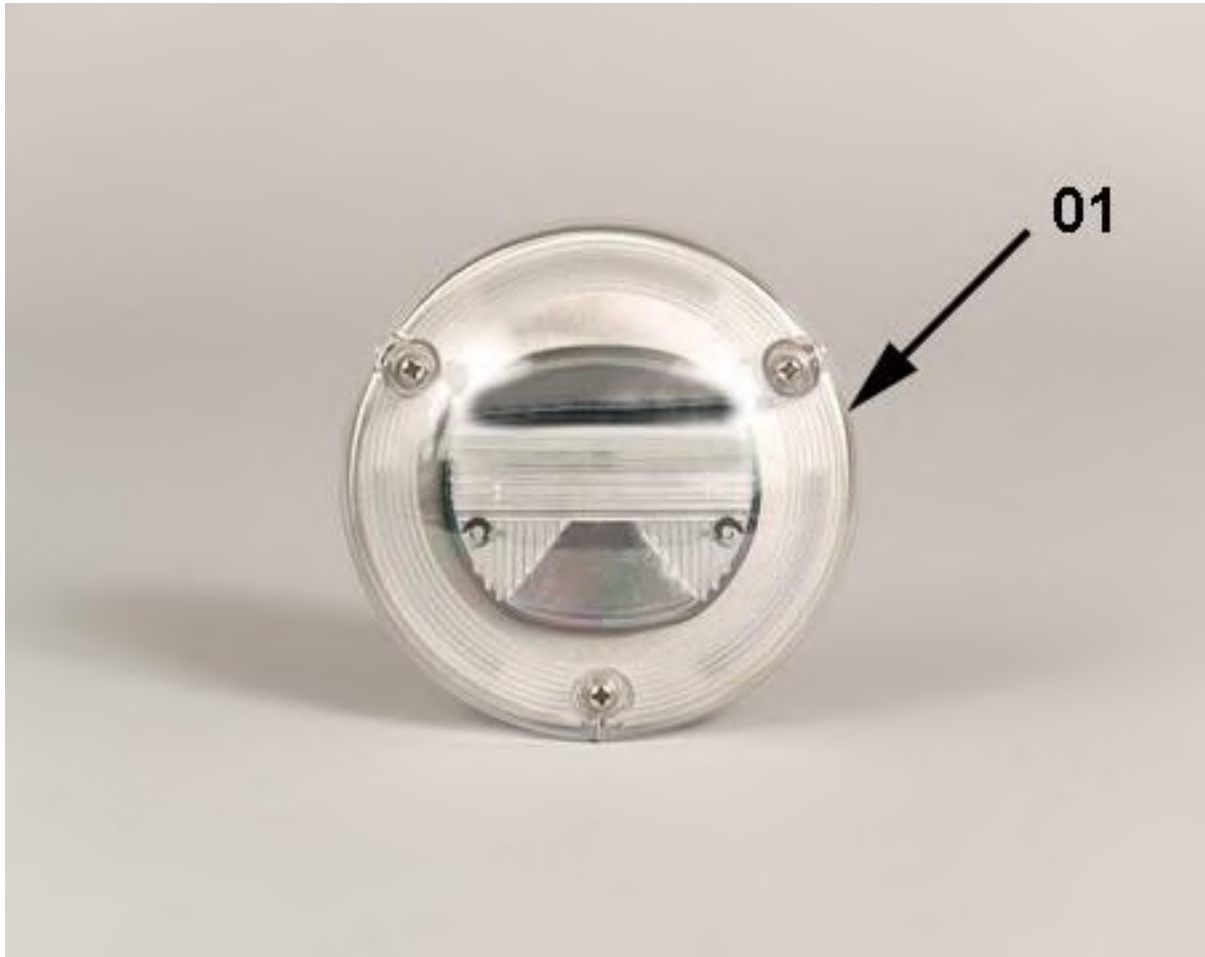
SECTION 7:

LIGHTING



**STRIP LIGHT, LED STEPWELL DOOR HEADER
PA0000026373**

<i>ITEM PART NO. DESCRIPTION</i>	<i>QTY</i>	<i>ITEM PART NO. DESCRIPTION</i>	<i>QTY</i>
01 3974506 Light, LED Stepwell P-DOT	1		



stepwell led lights
0418359

<i>ITEM PART NO. DESCRIPTION</i>	<i>QTY</i>	<i>ITEM PART NO. DESCRIPTION</i>	<i>QTY</i>
<i>0418359 INSTALL, LIGHTS STEPWELL LED</i>			
01 3975133 LIGHT, STEPWELL LED	2		



INTERIOR ENTRY LED Light
0420542

<i>ITEM</i>	<i>PART NO.</i>	<i>DESCRIPTION</i>	<i>QTY</i>	<i>ITEM</i>	<i>PART NO.</i>	<i>DESCRIPTION</i>	<i>QTY</i>
01	3974502	LIGHT, INTERIOR LED S.O.	1				



dome light - 6 led
0421772

ITEM	PART NO.	DESCRIPTION	QTY	ITEM	PART NO.	DESCRIPTION	QTY
01	3975901	Light, Dome 6-LED H/W	1				



**Stepwell Light
3975133**

01



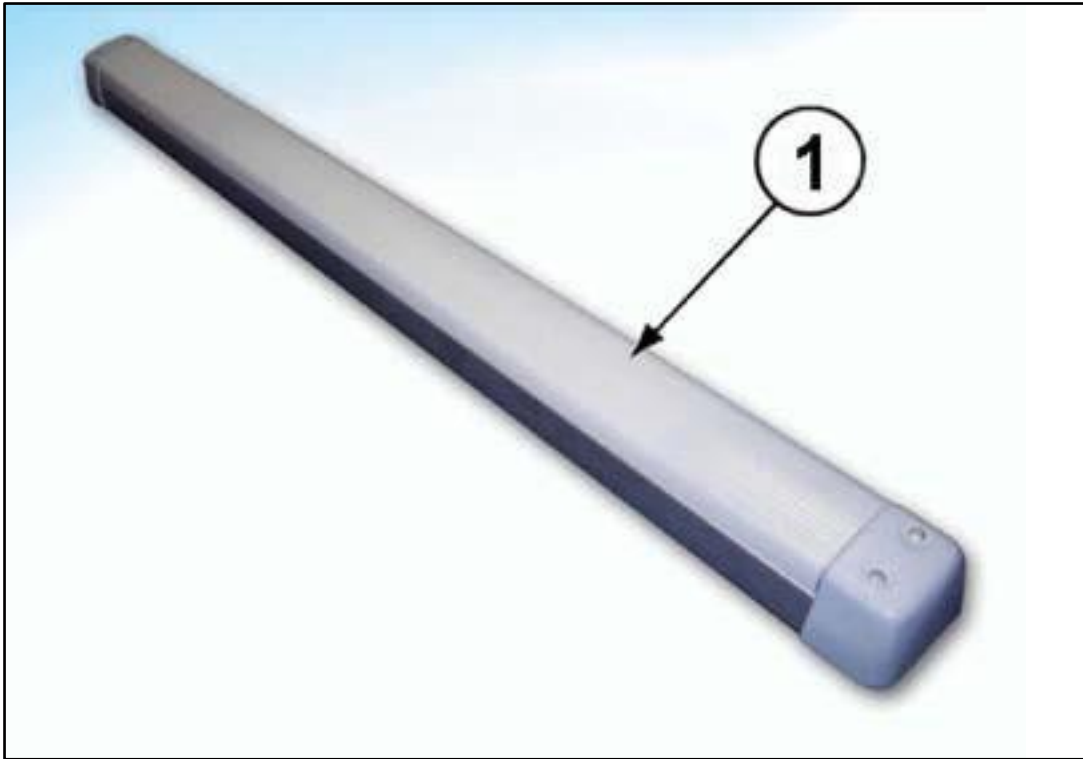
**Exterior Door Light
3975545**

02



**ground & step illumination lights
0420355**

<i>ITEM</i>	<i>PART NO.</i>	<i>DESCRIPTION</i>	<i>QTY</i>	<i>ITEM</i>	<i>PART NO.</i>	<i>DESCRIPTION</i>	<i>QTY</i>
1	3975133	Light, Stepwell LED	1				
2	3975545	Light, Door Entry LED	1				



interior led strip lighting
0420363/ 0420364/ 0420365/ 0420366

<i>ITEM</i>	<i>PART NO.</i>	<i>DESCRIPTION</i>	<i>QTY</i>	<i>ITEM</i>	<i>PART NO.</i>	<i>DESCRIPTION</i>	<i>QTY</i>
		0420363 Install, Lighting Interior LED SMI 24"				0420365 Install, Lighting Interior LED SMI 48"	
01	3975541	LIGHT, LED STRIP SMI 24"	2	01	3975543	LIGHT, LED STRIP SMI 48"	2
		0420364 Install, Lighting Interior LED SMI 36"				0420366 Install, Lighting Interior LED SMI 72"	
01	3975542	LIGHT, LED STRIP SMI 36"	2	01	3975544	LIGHT, LED STRIP SMI 72"	2



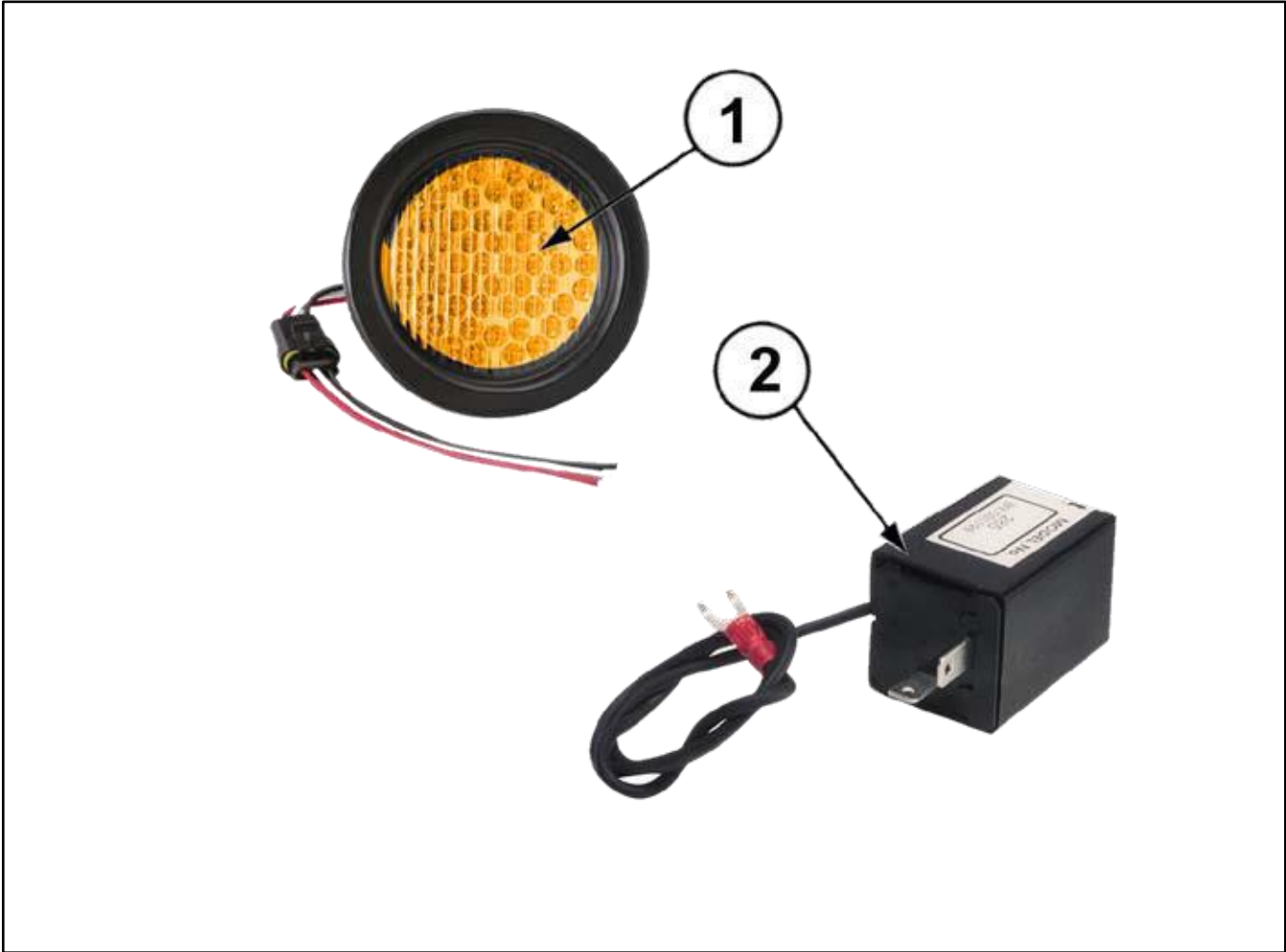
side docking light, pocketed
0419297

<i>ITEMPART NO.</i>	<i>DESCRIPTION</i>	<i>ITEMPART NO.</i>	<i>DESCRIPTION</i>
01	3379297 Light, Side Docking Pocketed	2	
	3971855 Connector, Weather Pak 2-Female (Cap)	2	
	3971856 Connector, Weather Pak 2-Way Male PL	2	
	3970969 Terminal, Packard Male	2\	
	3970985 Seal, Packard Cable	4	
	3970977 Terminal, Mating Female	2	



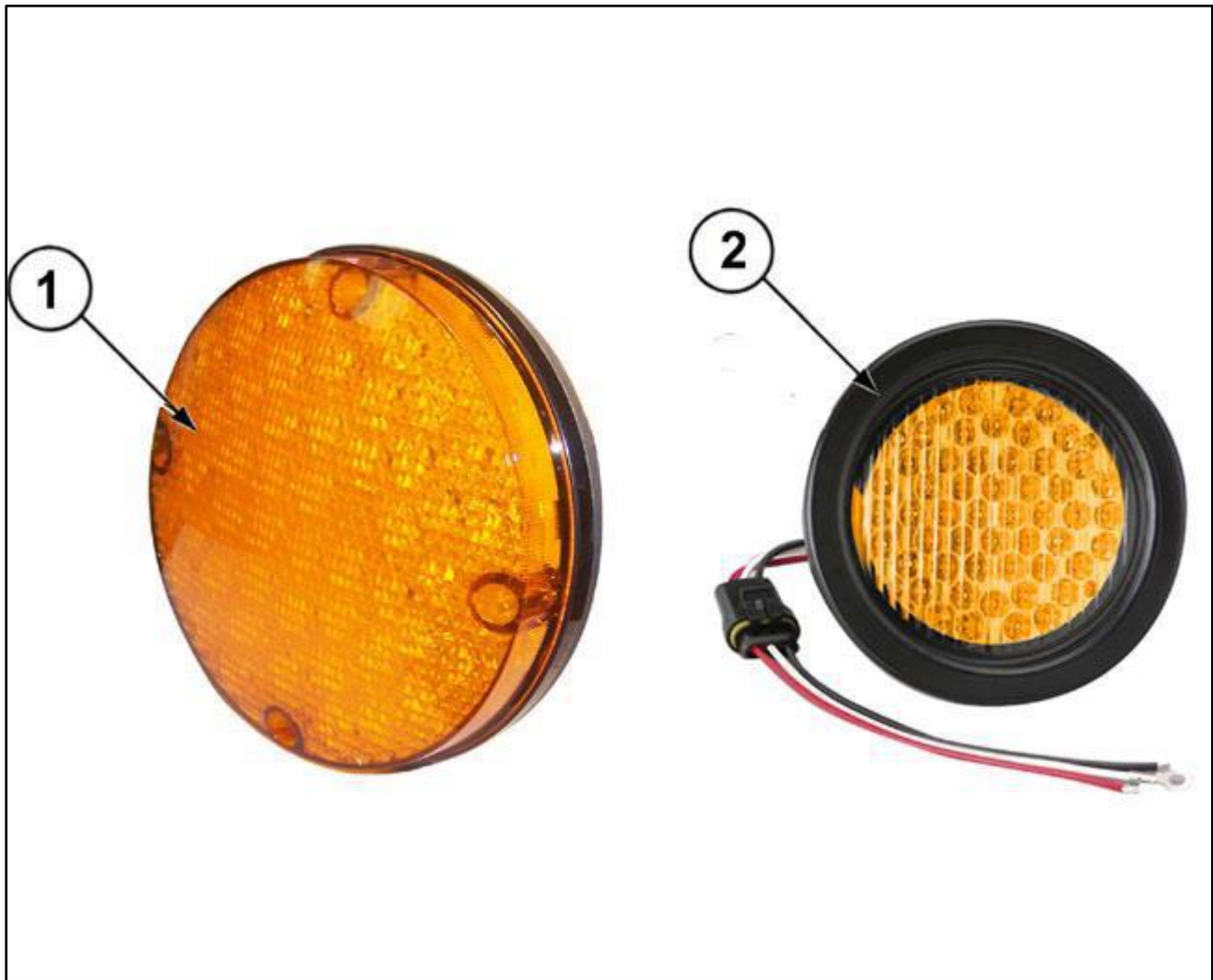
lights, 4" alternating flashing 0413211

<i>ITEM PART NO. DESCRIPTION</i>	<i>QTY</i>	<i>ITEM PART NO. DESCRIPTION</i>	<i>QTY</i>
01 3972854 Light, Amber Rear Turn	2		
NS 3972986 Grommet, 4" Light	2		
NS 3974531 Panel, Flasher Add On	1		



**Lights - FLashing amber
0415797**

<i>ITEM PART NO. DESCRIPTION</i>	<i>QTY</i>	<i>ITEM PART NO. DESCRIPTION</i>	<i>QTY</i>
1 3973292 Light, LED 4" Amber T/T Soundoff	4		
2 3973271 Flasher, Solid State 6A-LED	1		
NS 3972986 Grommet, 4" Light Peterson	4		
NS 3972645 Breaker, 5 AMP Manual Reset	1		
NS 3971529 Terminal, Relay Base	1		
NS 3973881 Switch, Carling, ON/OFF	1		
NS 3973886 Switch, Connector Plug	1		
NS 3973901 Actuator, Blank	1		



**amber flashing led lights
0419107**

<i>ITEM</i>	<i>PART NO.</i>	<i>DESCRIPTION</i>	<i>QTY</i>	<i>ITEM</i>	<i>PART NO.</i>	<i>DESCRIPTION</i>	<i>QTY</i>
1	3973232	Light, LED 7" Amber Turn	2				
2	3973292	Light, LED 4" Amber T/T	2				



quad amber flashing light
0421257 / 3975809

<i>ITEM</i>	<i>PART NO.</i>	<i>DESCRIPTION</i>	<i>QTY</i>	<i>ITEM</i>	<i>PART NO.</i>	<i>DESCRIPTION</i>	<i>QTY</i>
01	3975809	Light, Quad Flash ECCO Amber	2				



**Quad LEd FLashEr Light - rEd
0421575**

<i>ITEM</i>	<i>PART NO.</i>	<i>DESCRIPTION</i>	<i>QTY</i>	<i>ITEM</i>	<i>PART NO.</i>	<i>DESCRIPTION</i>	<i>QTY</i>
01	3975888	Light, Quad Flash Red	2				
NS	3974588	Grommet, Oval LED	1				



light pkg w/strobe and siren

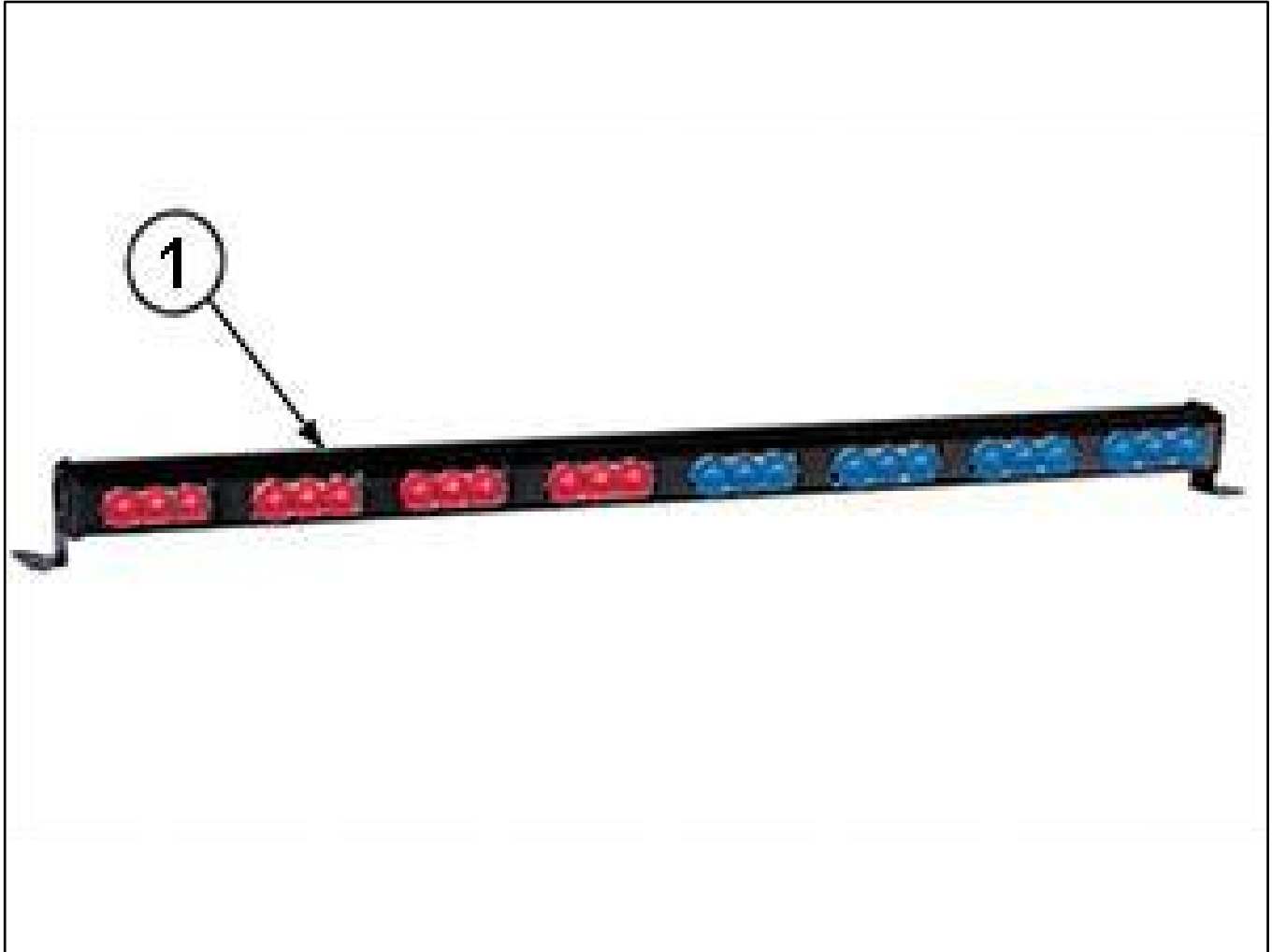
0421779

<i>ITEM</i>	<i>PART NO.</i>	<i>DESCRIPTION</i>	<i>QTY</i>	<i>ITEM</i>	<i>PART NO.</i>	<i>DESCRIPTION</i>	<i>QTY</i>
1	3975903	Siren, Soundoff 200 Series	1				
2	3975904	Speaker Soundoff 100D	1				
3	3975905	Light, Quad Flash Blue	7				
4	3975888	Light, Quad Flash Rec	7				
NS	3974588	Grommet, Oval LED	14				
NS	3974526	Harness, Center Lights	2				
NS	3975515	Harness, Roof Top Mount Strobe Light	2				



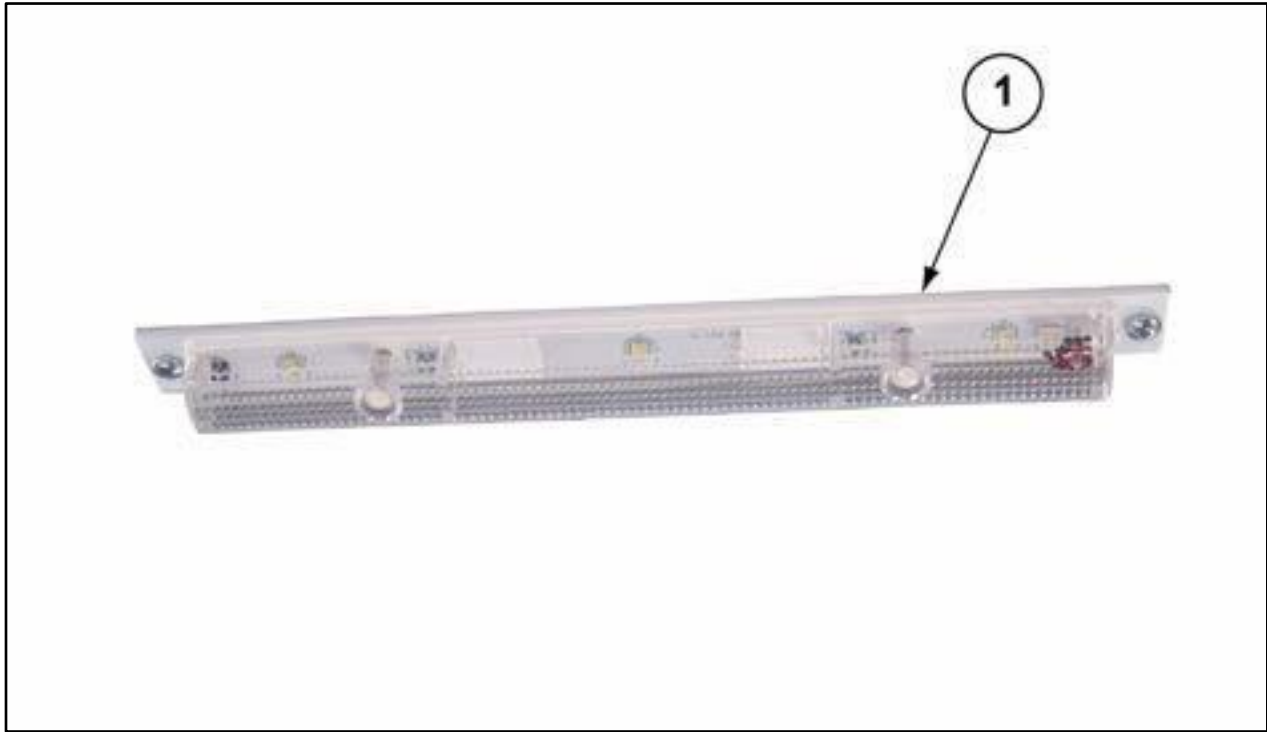
amber flashing led light
0420645 / 0413368

<i>ITEM</i>	<i>PART NO.</i>	<i>DESCRIPTION</i>	<i>QTY</i>	<i>ITEM</i>	<i>PART NO.</i>	<i>DESCRIPTION</i>	<i>QTY</i>
		0420645 Install 4" Amber T/T LED Flash Light				0413368 Install, Light LED Amber 4"	
1	3973292	Light, LED 4" Amber T/T	2	01	3973292	Light, LED 4" Amber T/T	2
2	3972986	Grommet, 4" Light	2				
NS	3974531	Panel, Flasher Add On	1				



17" MINI LIGHT BAR LED RED/BLUE 0421141

<i>ITEM</i>	<i>PART NO.</i>	<i>DESCRIPTION</i>	<i>QTY</i>	<i>ITEM</i>	<i>PART NO.</i>	<i>DESCRIPTION</i>	<i>QTY</i>
00	3975798	Light, Bar 17" LED Red/Blue	1				
	3975515	Harness, Roof Top Mount Strobe Light	1				
	3973881	Swch, Carling On/Off	1				
	3973901	Actuator, Blank	1				



INTERIOR LIGHTS, 12" LED STRIP W/CAGE

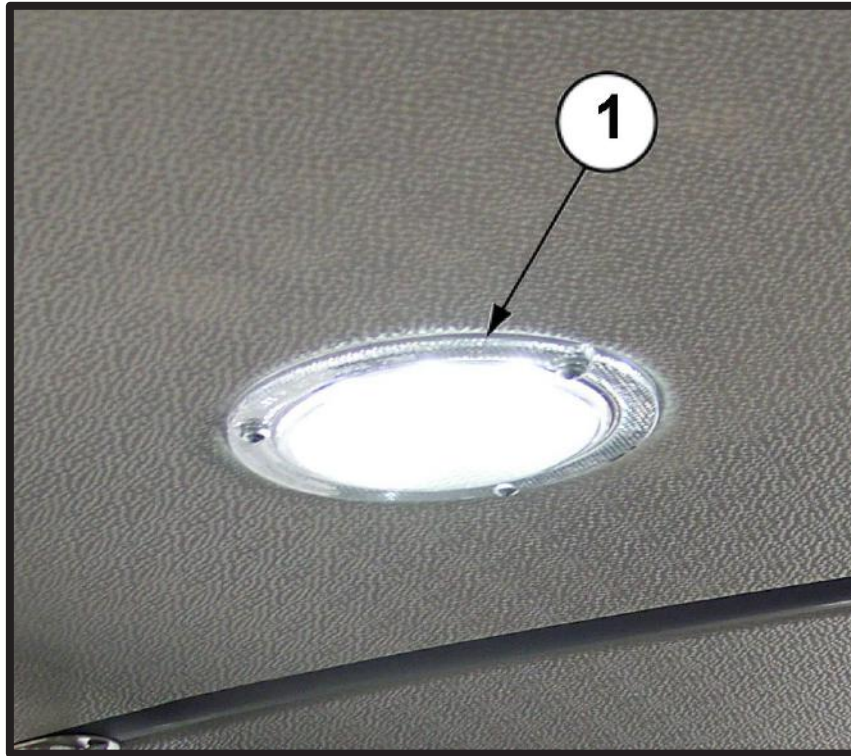
0416399 / 0421248

<u>ITEM</u> <u>PART NO.</u> <u>DESCRIPTION</u>	<u>QTY</u>	<u>ITEM</u> <u>PART NO.</u> <u>DESCRIPTION</u>	<u>QTY</u>
0416399 Install, Lights Interior 12" LED Strip		0421248 Screens Over 12" Lights Prison Bus	
01 3974361 Light, LED Strip 12"	8	NS 0379340 Cage, Light Strip 12" Prison Bus	8
NS 3972645 Breaker, 5 AMP Manual Reset	1		
NS 3974526 Harness, Center Lights	1		

PictURe nOt availaBle at this tiMe

**4-way flashing lights-lift activated
0412226**

<i>ITEM PART NO. DESCRIPTION</i>	<i>QTY</i>	<i>ITEM PART NO. DESCRIPTION</i>	<i>QTY</i>
NS 3974531 Panel, Flasher Add On	1		



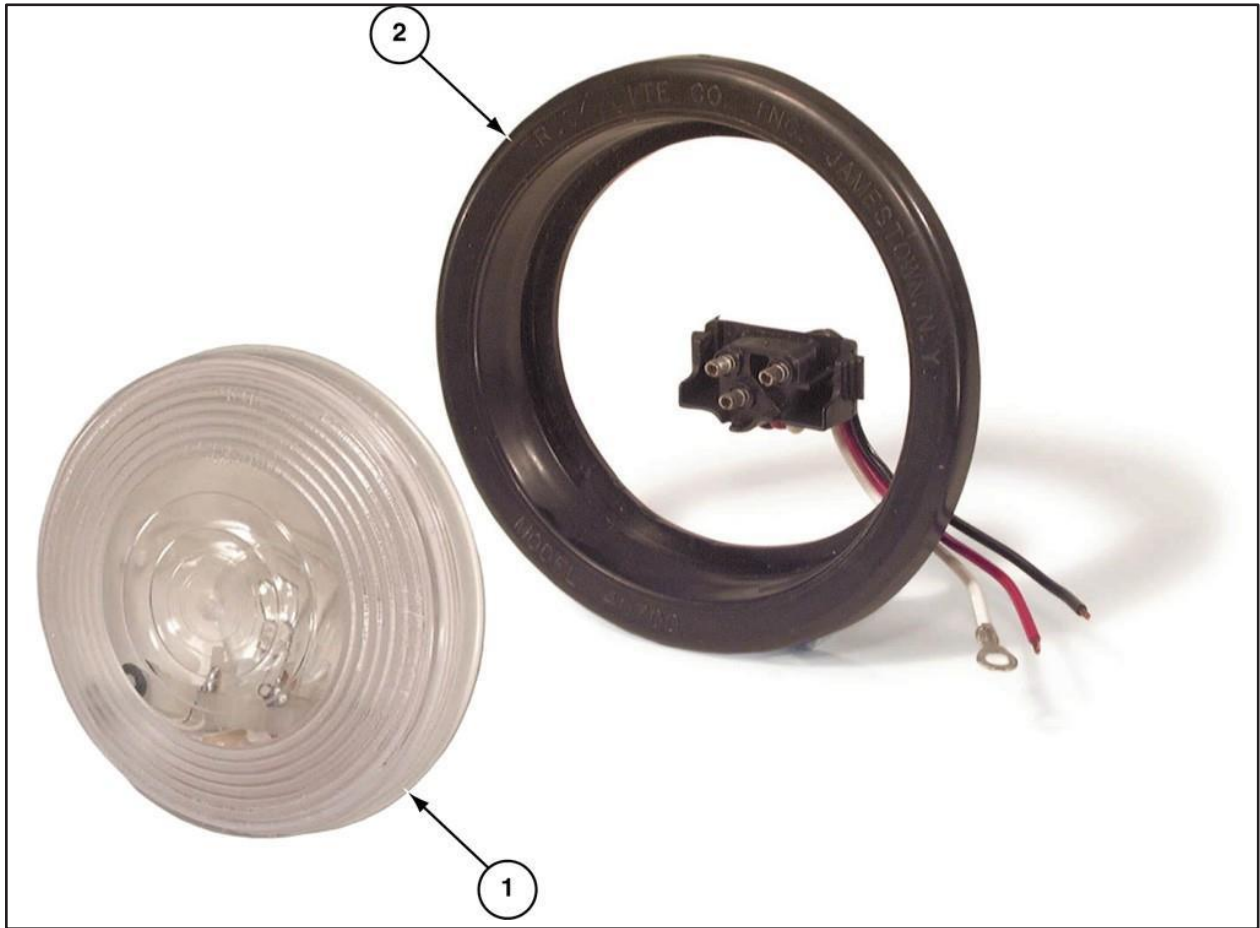
led light 4" w/flange
0417539

<i>ITEM PART NO. DESCRIPTION</i>	<i>QTY</i>	<i>ITEM PART NO. DESCRIPTION</i>	<i>QTY</i>
01 3974761 LIGHT, LED 4" ROUND WHITE W/FLANGE	6		



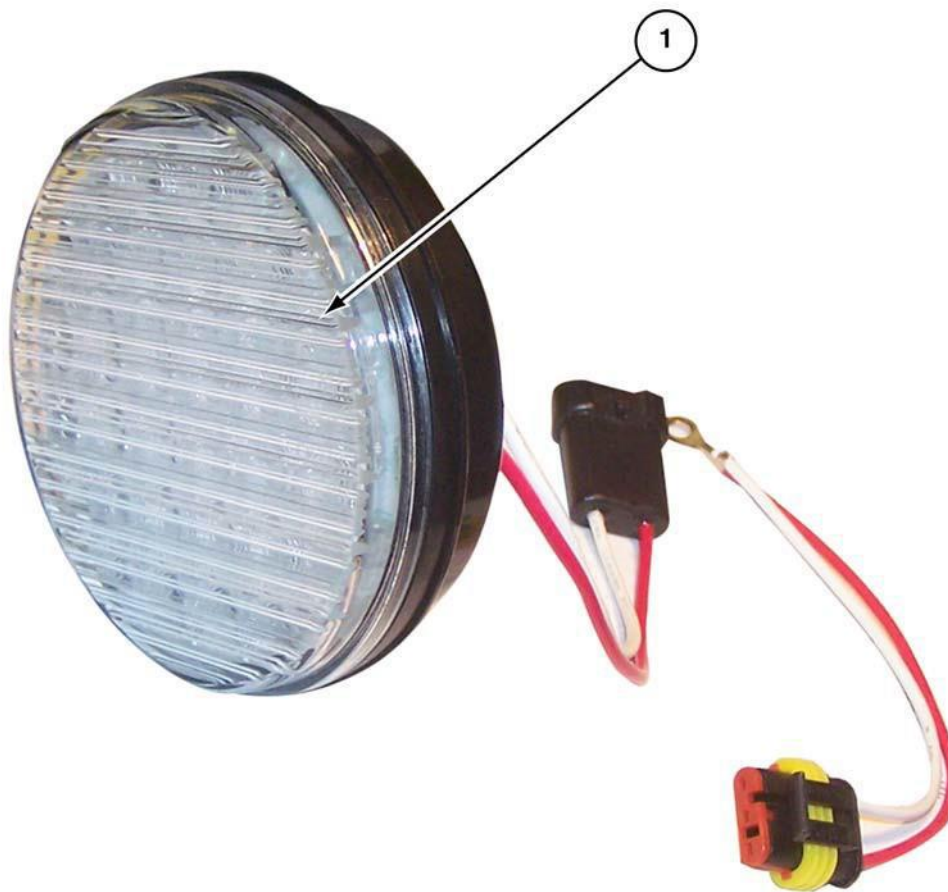
red aux 4" brake lights 0418305

<i>ITEM PART NO. DESCRIPTION</i>	<i>QTY</i>	<i>ITEM PART NO. DESCRIPTION</i>	<i>QTY</i>
01 3973293 Light, LED 4" Red Stop/T/T	2		
NS 3972920 Harness, Rear Center Brake Light LED	2		



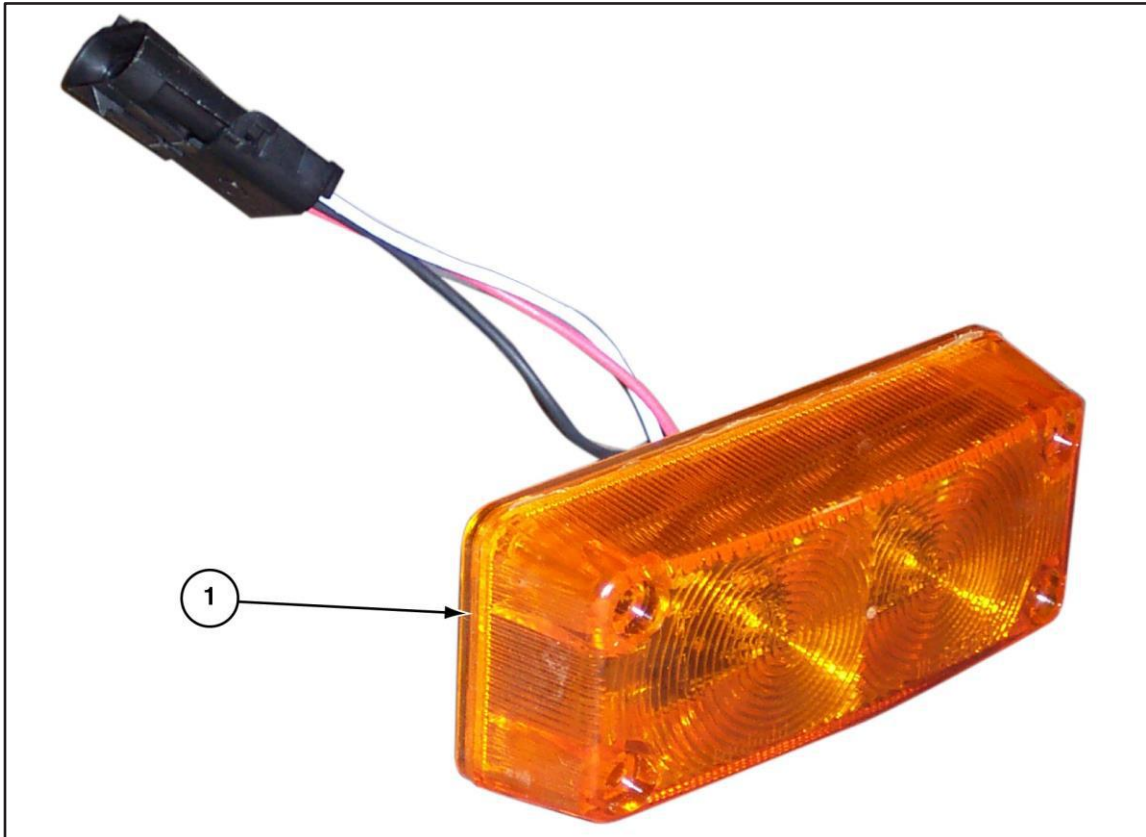
light, led entry p-dot
0415737

<i>ITEM PART NO. DESCRIPTION</i>	<i>QTY</i>	<i>ITEM PART NO. DESCRIPTION</i>	<i>QTY</i>
1 3973291 Light, LED 4" Clear Backup	1		
2 3371024 Bezel, 4" Round Interior Lift Light	1		



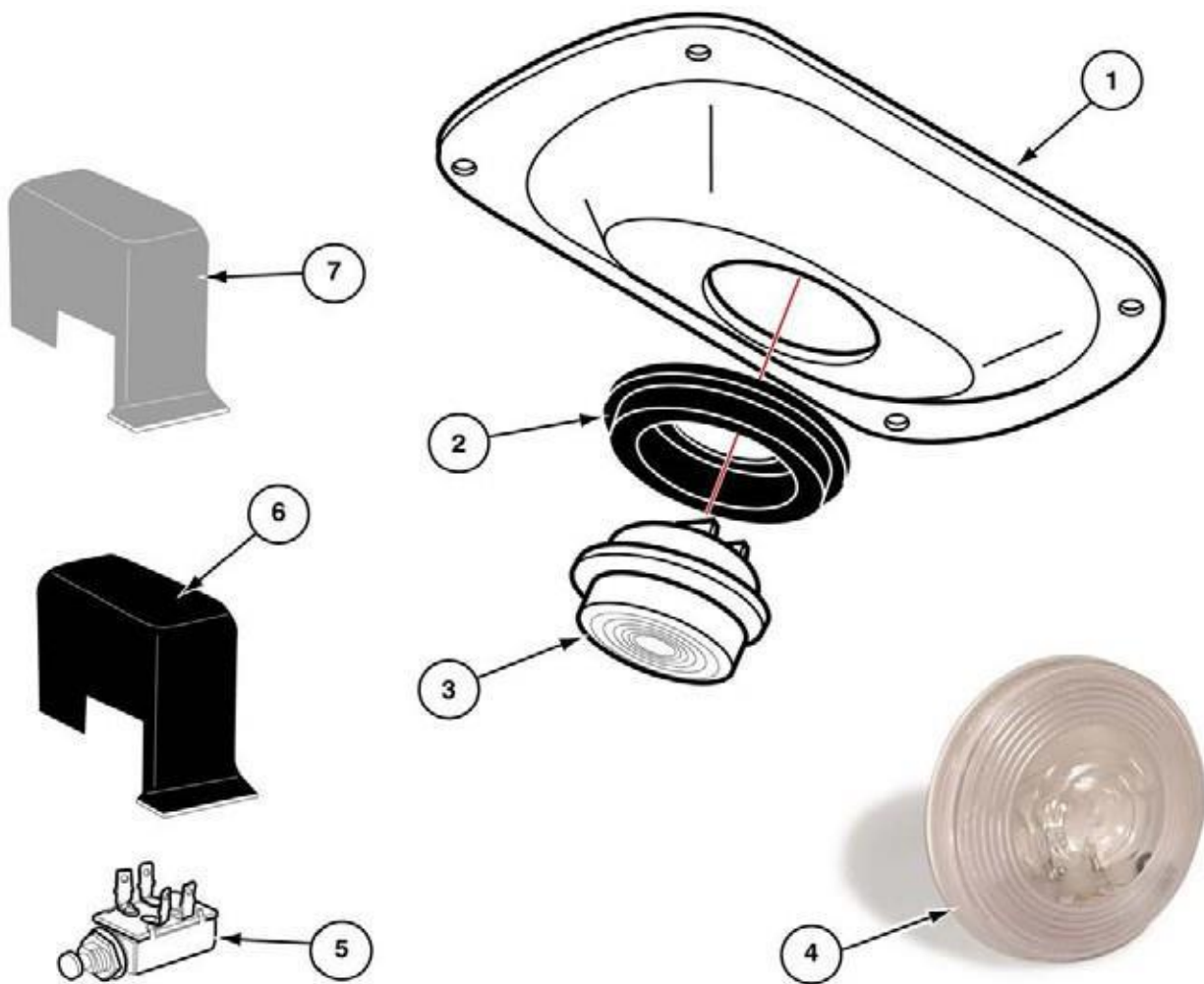
ADA EXTERIOR LIGHT
0415615

<i>ITEM PART NO. DESCRIPTION</i>	<i>QTY</i>	<i>ITEM PART NO. DESCRIPTION</i>	<i>QTY</i>
01 3973291 LIGHT, 4" DIA CLEAR LED (SOUND	2		



side directional lights
cX0000023104

<i>ITEM PART NO. DESCRIPTION</i>	<i>QTY</i>	<i>ITEM PART NO. DESCRIPTION</i>	<i>QTY</i>
01 3972795 Light, LED Side Marker Cntr	2		
NS 0403288 Harness, Side Directional	1		
NS 3971517 P-Clamp, Vinyl Coated Steel 5/8	3		
NS 3970068 Reflector, Rectangle Tape Red	2		
NS 3972862 Reflector, Mini Stick-On Rectangle	2		



door actuated lift lighting

cX0000023106 - 0411033

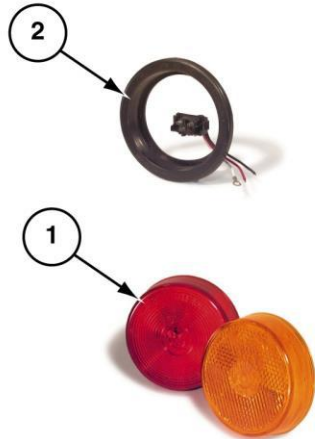
ITEM	PART NO.	DESCRIPTION	QTY	ITEM	PART NO.	DESCRIPTION	QTY
1	3371024	Bezel, Interior Lift Light (4" Round)	1				
2	3971471	Grommet, Rubber (Tail Light)	1				
3	3971914	Light, Interior Lift (4" Round)	1				
4	3971447	Light, Backup 4" Round Clear	1				
5	3371963	Switch Door Post Jamb N/C	1				
6	3371079	Cover, Jamb Switch	1				
7	3371674	Cover, Lift Door Switch (Gray)	1				
N/S	8570943	Screw (8x3/4 Pan Quad T2 Empiguard Clear)	2				
N/S	8570718	Screw (8 x 1 Pan Quad Zinc)	4				
N/S	3971290	Breaker 20 Amp	1				



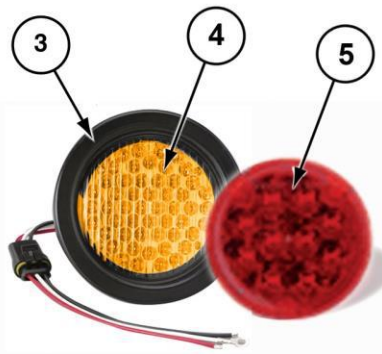
exterior LeD Lights

f5000023268

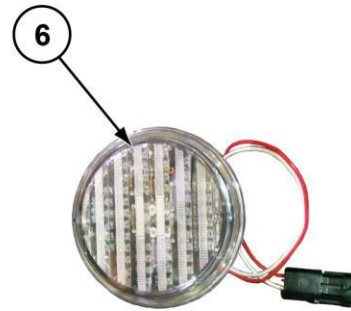
ITEM	PART NO.	DESCRIPTION	QTY	ITEM	PART NO.	DESCRIPTION	QTY
1	3973290	LIGHT, LED (2½" ROUND RED, SOUNDOFF)	7	8	3974689	GUARD, LIGHT FRT CLEARANCE BLK METAL	5
2	N/A			9	3974688	LIGHT, LED CLEARANCE AMBER FRT	5
3	3973293	LIGHT, LED STOP/TURN/TAIL ROUND RED 4"	5	N/S	8970394	TAPE, WINDOW SEALEX SX1412 1/4 x 1/2 x 50	A/R
4	3973291	LIGHT, LED BACKUP ROUND CLEAR 4"	2	N/S	3972986	GROMMET, RUBBER 4" TAIL LIGHT	7
5	3974687	LIGHT, LED LICENSE PLATE	1	N/S	3972996	PIGTAIL, LED EXIT	7
6	3972942	BRACKET, LICENSE LIGHT TRUCK LITE 42722	1	N/S	3970068	REFLECTOR, RECTANGULAR TAPE RED	2
7	3973470	LIGHTS, LED SIDE MARKER FLUSH	2	N/S	3974514	REFLECTOR, RECTANGULAR TAPE AMBER	2



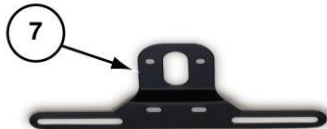
CLEARANCE



STOP/TURN/TAIL



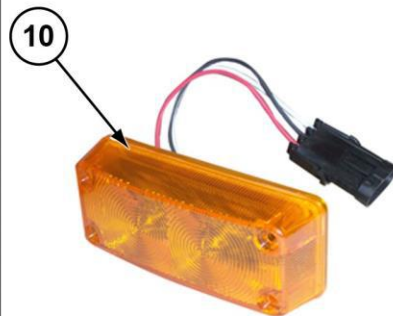
BACKUP



LICENSE PLATE



FRONT CLEARANCE



SIDEMARKER

exterior LeD Lights 0418526

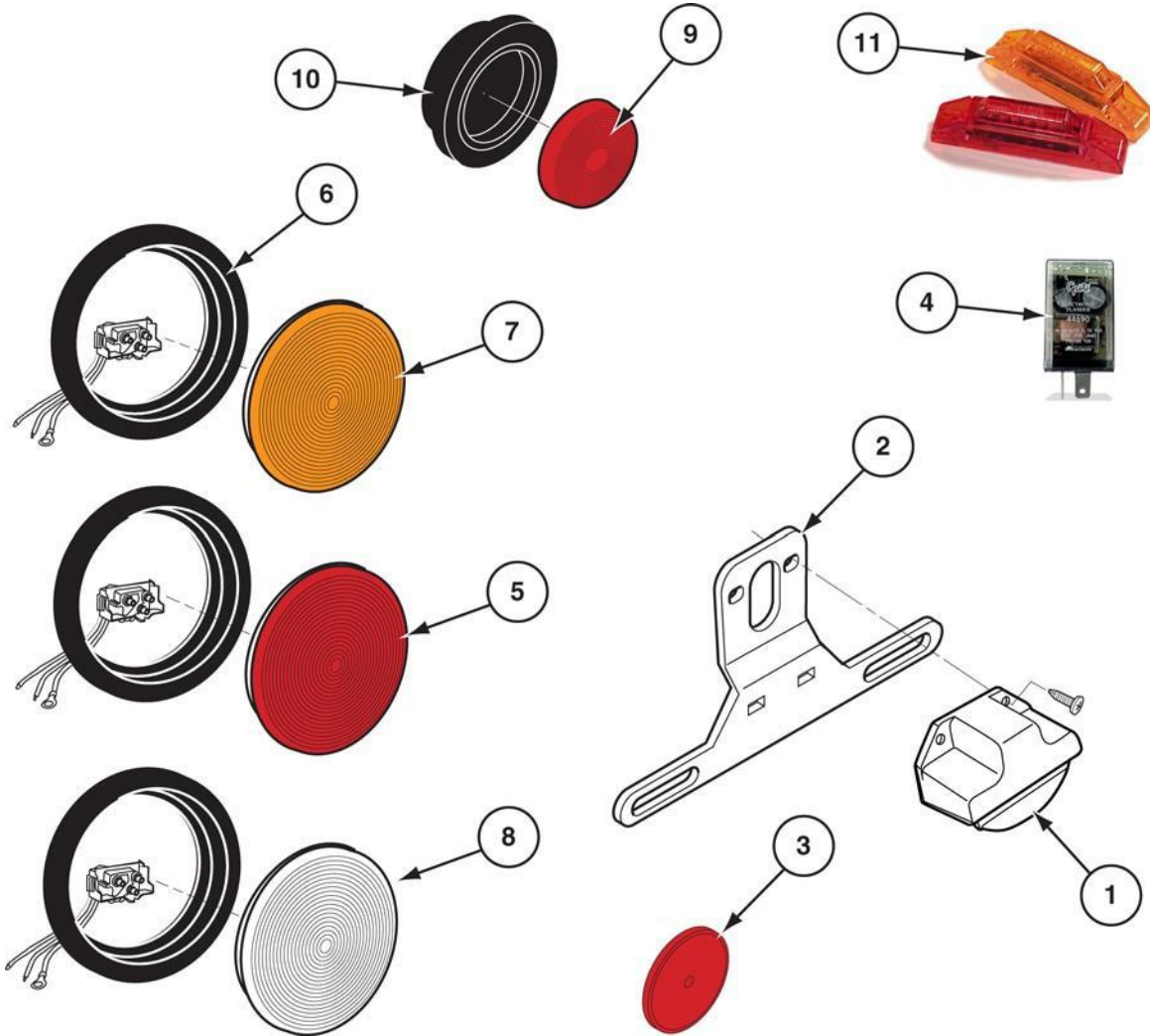
ITEMPART NO.	DESCRIPTION	ITEMPART NO.	DESCRIPTION
01 3972043	LIGHT, LED RED 2.5"	7 6 3974470	LIGHT, BACKUP LED 2
2 3971691	GROMMET, CLEARANCE LIGHT 2.5" ROUND	7 7 3972942	BRACKET, LICENSE LIGHT 1
3 3972046	LIGHT, TURN/TAIL 4" ROUND AMBER	2 8 3974687	LIGHT, LED LICENSE PLATE 1
4 3971471	GROMMET, RUBBER 4" TAIL LIGHT	7 9 3972044	LIGHT, CAB AMBER 5
5 3972600	LIGHT, LED STOP/TURN/TAIL 4" RED ROUND	3 10 3972795	LIGHT, LED SIDEMARKER 2



exterior LeD backwaLL Lights

0416963 / 0413226 / ch0000023286

ITEM	PART NO.	DESCRIPTION	QTY	ITEM	PART NO.	DESCRIPTION	QTY
1	3973290	LIGHT, LED (2½" RED, SOUNDOFF)	7	N/S	3972996	PIGTAIL, LED EXIT	7
2	3971691	GROM, CLEARANCE LIGHT 2.5" ROUND	7	N/S	3371577	BEZEL, BACKWALL LIGHTS	2
3	3973293	LIGHT, LED STOP/TURN/TAIL RED 4"	4	N/S	3972566	PIGTAIL, MID-TURN SIGNAL	6
4	3974470	LIGHT, LED BACKUP	2	N/S	3970068	REFLECTOR, RECTANGULAR TAPERED	2
5	3972941	LIGHT, LICENSE PLATE	1				
6	3972942	BRACKET, LICENSE LIGHT TRUCK LITE	1				
7	3973915	REFLECTOR, RED 3" SCREW ON	2				
8	3973015	FLASHER, 16 AMP GROTE	1				
N/S	8970394	TAPE, WINDOW SEALEX 1/4x1/2x50	A/R				
N/S	3972774	HARNESS, BACKWALL	1				
N/S	3972773	HARNESS, REAR CLEARANCE LIGHTS	1				
N/S	3972986	GROMMET, RUBBER 4" TAIL LIGHT	6				



EXTERIOR LED BACKWALL LIGHTS 0413230

<i>ITEM PART NO. DESCRIPTION</i>	<i>QTY</i>	<i>ITEM PART NO. DESCRIPTION</i>	<i>QTY</i>
1 3972941 LIGHT, LICENSE PLATE	1		
2 3972942 BRACKET, LICENSE PLATE	1		
03 3973915 REFLECTOR 3"	2		
04 3973015 FLASHER 16 AMP	1		
05 3973028 LIGHT, LED STOP/TAIL/TURN	4		
06 3972986 GROMMET, 4"	4		
7 NOT INCLUDED			
8 3971447 LIGHT, BACKUP ROUND CLEAR	2		
09 3973290 LIGHT, LED 2 1/2" RED	7		
10 3971691 GROMMET, CLEARANCE LIGHT 2 1/2"	7		
11 NOT INCLUDED			

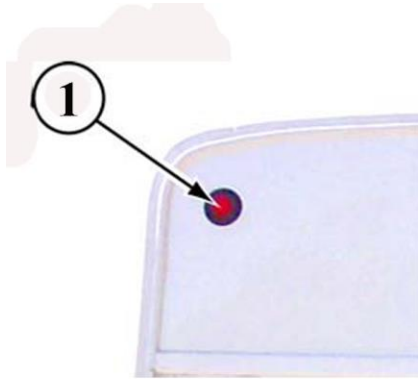


ExtErior backwall lights-IEd ch000tr23105

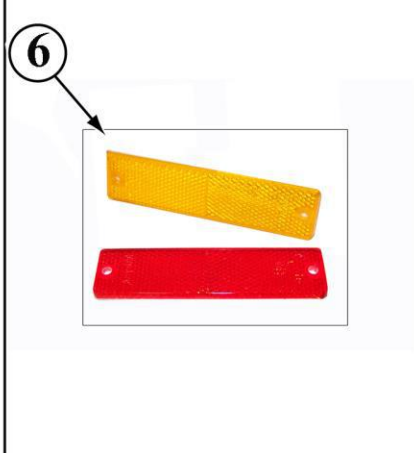
<i>ITEM PART NO. DESCRIPTION</i>	<i>QTY</i>	<i>ITEM PART NO. DESCRIPTION</i>	<i>QTY</i>
1 3972940 Light, LED Red Round 2.5"	7	NS 8970394 Tape, Window Sealex	10
2 3971691 Grommet, Clearance Light 2.5" Rnd	7	NS 3972774 Harness, Backwall STD CH	1
3 3973028 Light, LED Stop/Turn/Tail 4" Rd STD	4	NS 3972773 Harness, Rear Clearance Lights	1
4 3972791 Light, LED Backup Clear 4"	2	NS 3973360 Pigtail, Trucklite LED Light	7
5 3972941 Light, License Plate	1	NS 3371577 Bezel, Backwall Lights	2
6 3972942 Bracket, License Plate	1	NS 3972566 Pigtail, Mid-Turn Signal	6
7 3970068 Reflector, Rectangular Tape Red	2	NS 3972861 Reflector, Mini Stick-On Rectangular	2
08 3973015 Flasher, 16 AMP	1		



<i>ITEM</i>	<i>PART NO.</i>	<i>DESCRIPTION</i>	<i>QTY</i>	<i>ITEM</i>	<i>PART NO.</i>	<i>DESCRIPTION</i>	<i>QTY</i>
1	3971690	LIGHT, CLEARANCE 2.5" RED SEALED W/REFL	1	08	3973915	REFLECTOR, RED 3"	2
2	3971691	GROMMET, CLEARANCE LIGHT 2.5" ROUND	7	09	3973015	FLASHER, 16 AMP GROTE 44690	1
3	3971446	LIGHT, STOP/TURN/TAIL ROUND RED 4"	4	N/S	8970394	TAPE, WINDOW SEALEX SX1412 1/4 x 1/2 x 50	A/R
4	3971447	LIGHT, BACKUP ROUND CLEAR 4"	2	N/S	3972774	HARNES, BACKWALL	1
5	3971471	GROMMET, RUBBER 4" TAIL LIGHT	6	N/S	3972773	HARNES, REAR CLEARANCE LIGHTS	1
6	3972168	LIGHT, LICENSE PLATE BLACK	1				
7	3972942	BRACKET, LICENSE LIGHT TRUCK LITE 42722	1				



STOP/TURN/TAIL



LICENSE PLATE

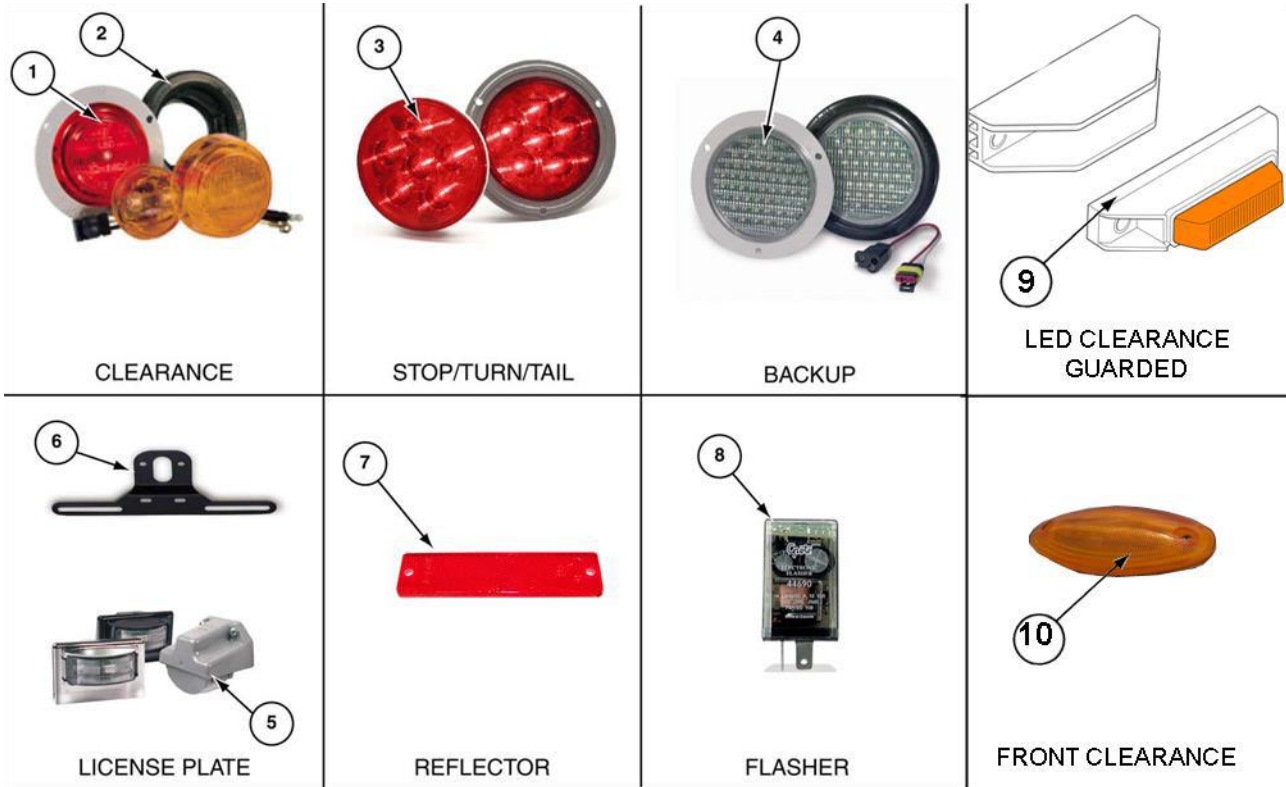
REFLECTOR

FLASHER

ExtERior Backwall lights - IEd

0419461 / ch0000023268

ITEM PART NO.	DESCRIPTION	QTY	ITEM PART NO.	DESCRIPTION	QTY
1	3974686 Light, LED 2" Round Soundoff	7			
2	3973293 Light, LED4" Red STop/T/T	4			
3	3972986 Grommet, 4"Light Peterson B426-18	6			
4	3973291 Light, LED 4" Clear Backup	2			
5	3974687 Light, LED License Plate	1			
06	3970068 Reflector, Rectangular Red	2			
	3974514 Reflector, Rectangular Amber	A/R			
07	3973015 Flasher, 16 Amp Grote 2595533-50	1			
NS	3974688 Light, LED Clearance Amber Frt	5			
NS	3974689 Guard, Light FRT Clearance Blk Metal	5			
NS	8970394 Tape, Window Sealex SX1412	10			
NS	3972996 Pigtail, LED Exit 94862	7			
NS	3972566 Pigtail, Mid-Turn Signal	6			



ExtErior BAcKwAll lights - IED DF000tr23105

ITEM	PART NO.	DESCRIPTION	QTY	ITEM	PART NO.	DESCRIPTION	QTY
1	3972940	Light, LED (2.5" Round Red)	7	NS	3972773	Harness, Rear Clearance Light	1
2	3971691	Grommet, Clearance 2.5" Round	7	NS	3371577	Bezel, Backwall Lights	2
3	3973028	Light, LED Stop/Turn/Tail Rnd Red	4	NS	3972566	Pigtail, Mid-Turn Signal 94706	6
4	3972791	Light, LED Backup Rnd Clear 4"	2	NS	3973360	Pigtail, Trucklite LED Light	7
5	3972941	Light, License Plate	1				
6	3972942	Bracket, License Light TL 42722	1				
7	3970068	Reflector, Rectangular Tape Red SAE	2				
8	3973015	Flasher, 16 Amp Grote	1				
9	3973023	LED Clearance Front Guarded	5				
	8571259	Bracket, Armored Mount 35720	5				
10	3973930	Light, Clearance LED International	1				
NS	8970394	Tape, Window Sealex SX1412	AR				
NS	3972774	Harness, Backwall	1				



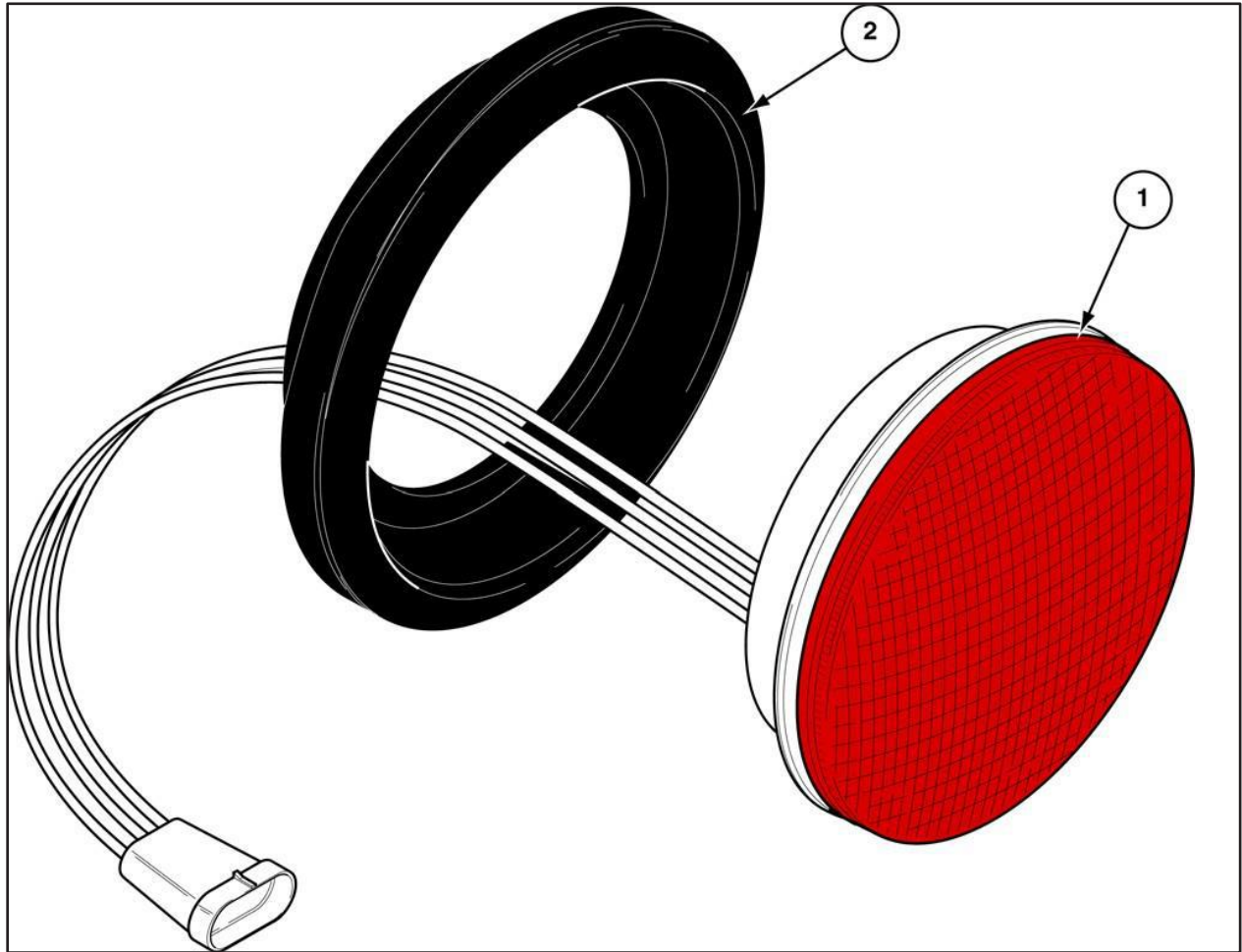
exterior LeD Lights
DF0000023268

<i>ITEMPART NO.</i>		<i>DESCRIPTION</i>	<i>ITEMPART NO.</i>		<i>DESCRIPTION</i>
1	3973290	LIGHT, LED (2½" ROUND RED, SOUNDOFF)	7	7	3973915 REFLECTOR, RECTANGULAR RED
2	3971691	GROMMET, CLEARANCE LIGHT 2.5" ROUND	7	8	3973930 LIGHT, CLEARANCE LED INT'L CHASSISBUSES
3	3973293	LIGHT, LED STOP/TURN/TAILO ROUND RED 4"	4	N/S	8970394 TAPE, WINDOW SEALEX SX1412 1/4 x 1/2 x 50
4	3973291	LIGHT, LED BACKUP ROUND CLEAR 4"	2	N/S	3972986 GROMMET, RUBBER 4" TAIL LIGHT
5	3972941	LIGHT, LICENSE PLATE	1	N/S	3972996 PIGTAIL, LED EXIT
6	3972942	BRACKET, LICENSE LIGHT TRUCK LITE 42722	1	N/S	3970068 REFLECTOR, RECTANGULAR TAPE RED



L.E.D. SIDEMARKER LIGHT
0419461 / 0415671

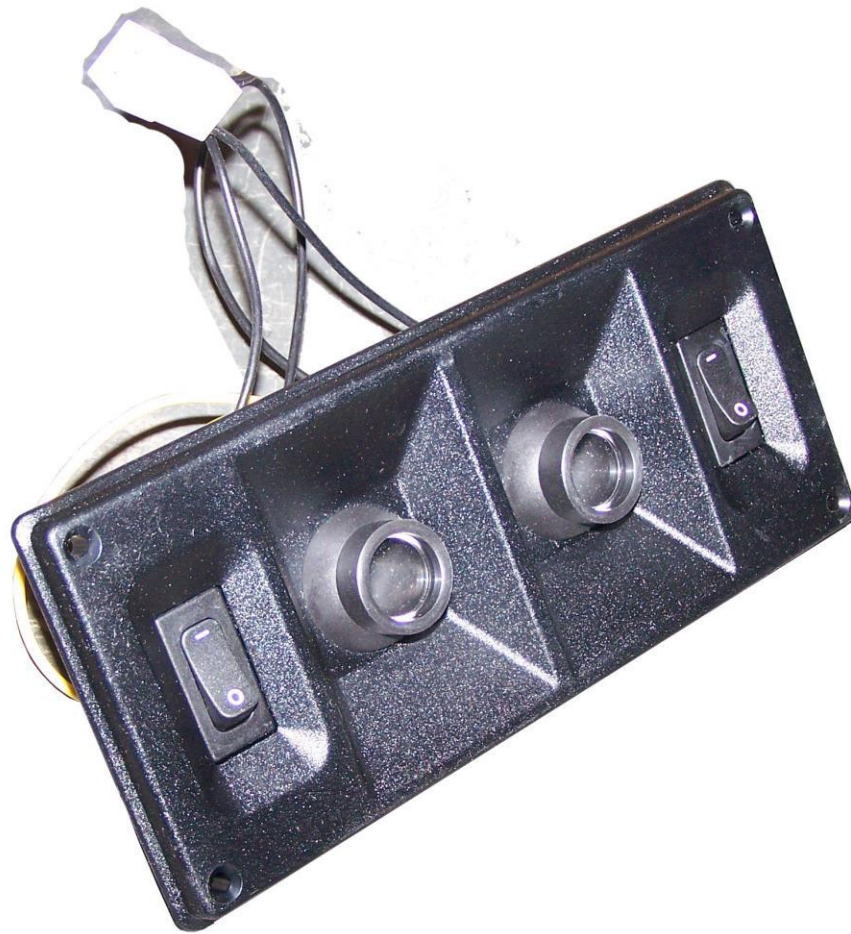
<i>ITEM PART NO. DESCRIPTION</i>	<i>QTY</i>	<i>ITEM PART NO. DESCRIPTION</i>	<i>QTY</i>
01 3973470 LIGHT,L.E.D.SIDEMARKER	2		



Rear Center Brake Light - Led

0419461 / Cx000SO20046 / 0413229

<i>ITEM PART NO. DESCRIPTION</i>	<i>QTY</i>	<i>ITEM PART NO. DESCRIPTION</i>	<i>QTY</i>
1 3973293 Light, 4" Red Stop/T/T	1		
2 3971471 Grommet, Tail Light Rubber	1		
3 3972986 Grommet, 4" Light	1		
NS 3972920 Harness, Rear Center Brake Light	1		

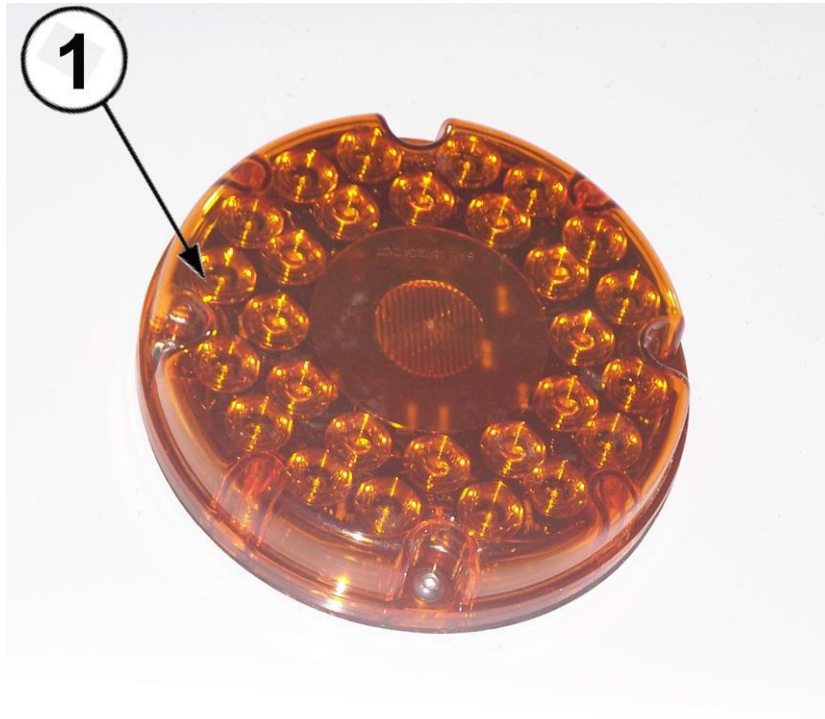


**LighT LEd iNTEriOr primA 12
0416023**

<i>ITEM PART NO. DESCRIPTION</i>	<i>QTY</i>	<i>ITEM PART NO. DESCRIPTION</i>	<i>QTY</i>
----------------------------------	------------	----------------------------------	------------

01 3974025 Light, LED Int Prima A-51720-12X12			
---	--	--	--

Configuration "A" Floor Plan Includes 6 Per Assembly
 Configuration "B" Floor Plan Includes 5 Per Assembly



**LIGHT, AMBER 7" LED
0417667**

<i>ITEM PART NO. DESCRIPTION</i>	<i>QTY</i>	<i>ITEM PART NO. DESCRIPTION</i>	<i>QTY</i>
01 3974807 Light, Amber 7" LED	2		



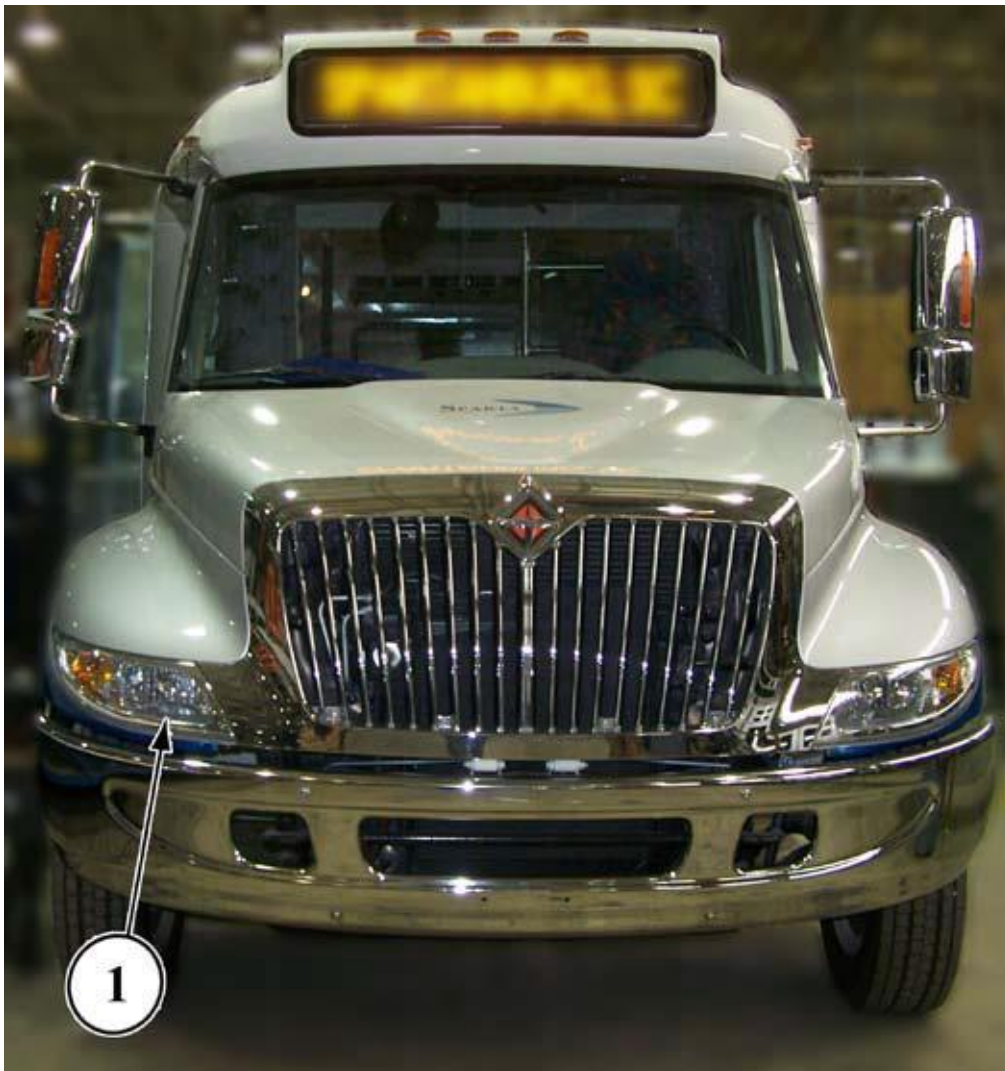
7" led red light-high mount bracket
0418357 / 0418356

<i>ITEM PART NO. DESCRIPTION</i>	<i>QTY</i>	<i>ITEM PART NO. DESCRIPTION</i>	<i>QTY</i>
01 3973231 Light, LED 7" Stop/Turn/Tail	1		
NS 3971471 Grommet, Rubber 7" Tail Light	1		



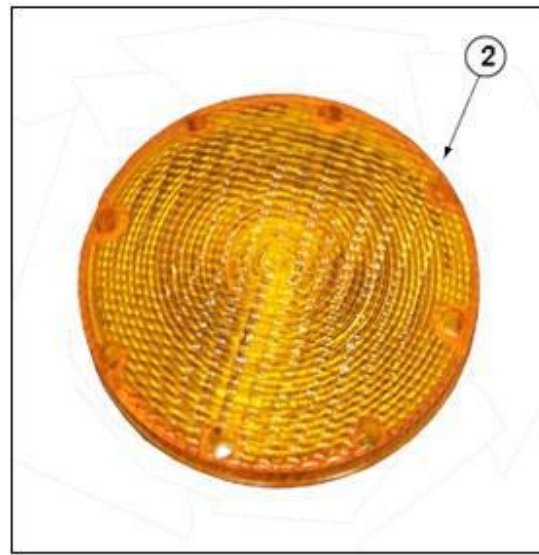
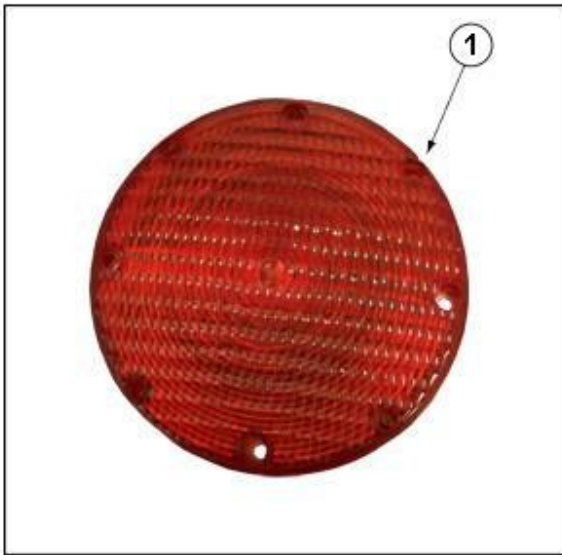
**BACKUP ALARM ECCO
0415846**

<i>ITEM</i>	<i>PART NO.</i>	<i>DESCRIPTION</i>	<i>QTY</i>	<i>ITEM</i>	<i>PART NO.</i>	<i>DESCRIPTION</i>	<i>QTY</i>
01	3974064	ALARM, BACKUP ECCO	1				



daytime running lights (canadian dot)
cX0000020416 - cX-000-900-0416

<i>ITEM PART NO. DESCRIPTION</i>	<i>QTY</i>	<i>ITEM PART NO. DESCRIPTION</i>	<i>QTY</i>
01 3971964 Module, Daytime Running Light CO/SO 1			
N/S 3971287 Fuse, 20 AMP ATO Blade Type	1		



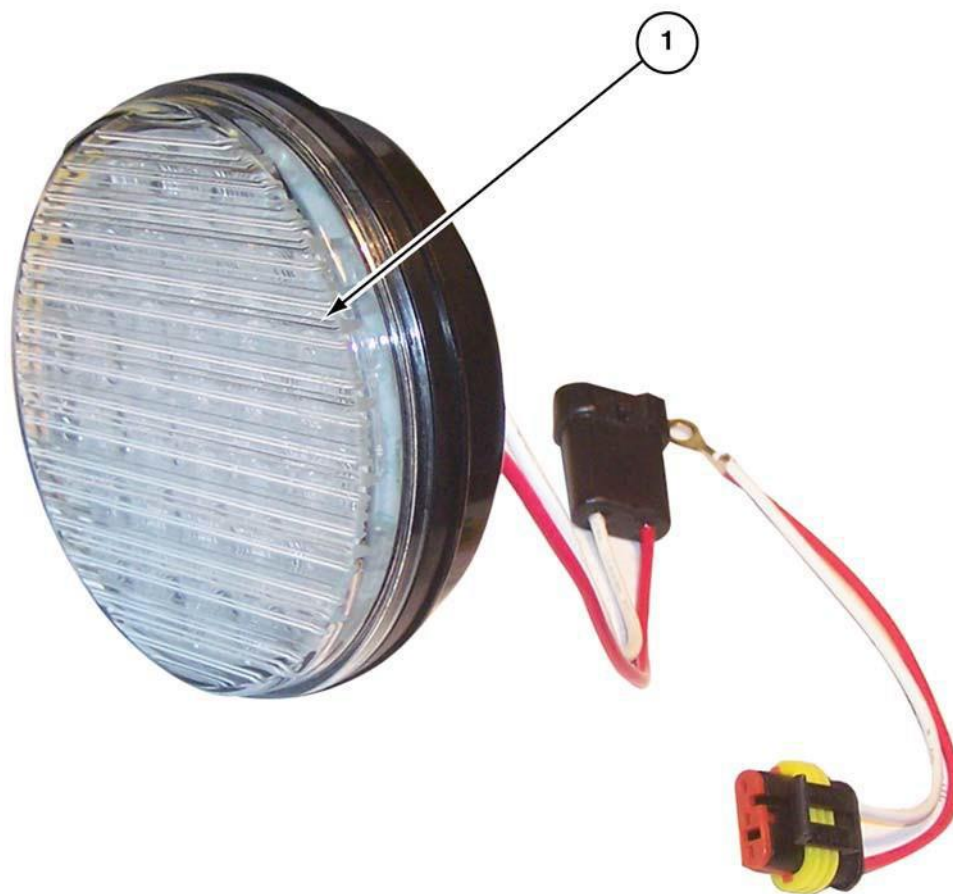
LIGHTS, 7" RED & AMBER 0415744

<i>ITEM PART NO. DESCRIPTION</i>	<i>QTY</i>	<i>ITEM PART NO. DESCRIPTION</i>	<i>QTY</i>
1 3972856 Light, Red Tail 7"	4		
2 3974106 Light, Amber Tail 7"	2		



Amber reAr turn light

ITEM PART NO.	DESCRIPTION	QTY	ITEM PART NO.	DESCRIPTION	QTY
01	3972854	Light, Amber Rear Turn Trucklite 40001Y	2		



CLEAR BACKUP LIGHT
0415734

<i>ITEM PART NO.</i>	<i>DESCRIPTION</i>	<i>QTY</i>	<i>ITEM PART NO.</i>	<i>DESCRIPTION</i>	<i>QTY</i>
01	3973291 LIGHT, LED 4" CLEAR BACKUP SOUND OFF	1			

1



STEPWELL LIGHT
0415434

<i>ITEM PART NO. DESCRIPTION</i>	<i>QTY</i>	<i>ITEM PART NO. DESCRIPTION</i>	<i>QTY</i>
01 3973911 LIGHT, STEPWELL L.E.D. SOUND-OFF	1		



STEPWELL LIGHT
CH-000-999-S3122

<i>ITEM</i>	<i>PART NO.</i>	<i>DESCRIPTION</i>	<i>QTY</i>	<i>ITEM</i>	<i>PART NO.</i>	<i>DESCRIPTION</i>	<i>QTY</i>
01	3971448	LIGHT, COURTESY	1				
	#193	BULB, 2-CP	1				
N/S	3972882	HARNESS, STEPWELL LIGHT	1				



**Stepwell Light
3975133**

01



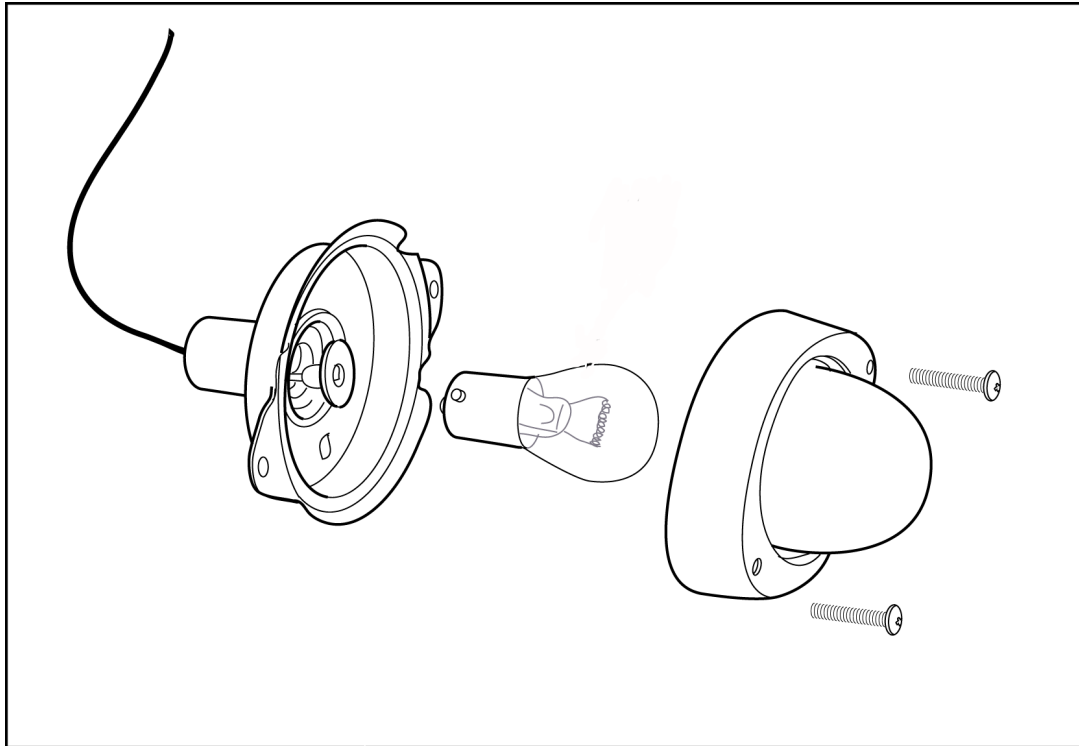
**Exterior Door Light
3975545**

02



**ground & step illumination lights
0420355**

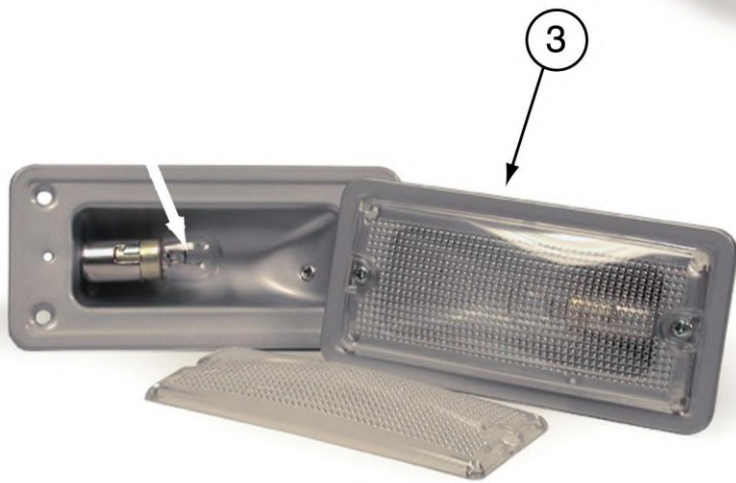
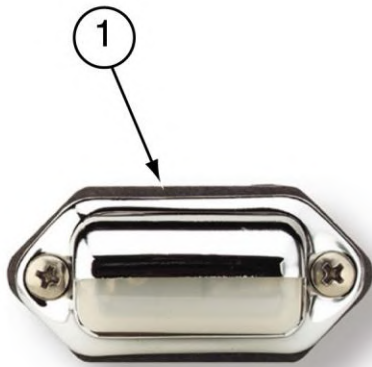
<i>ITEM</i>	<i>PART NO.</i>	<i>DESCRIPTION</i>	<i>QTY</i>	<i>ITEM</i>	<i>PART NO.</i>	<i>DESCRIPTION</i>	<i>QTY</i>
1	3975133	Light, Stepwell LED	1				
2	3975545	Light, Door Entry LED	1				



1

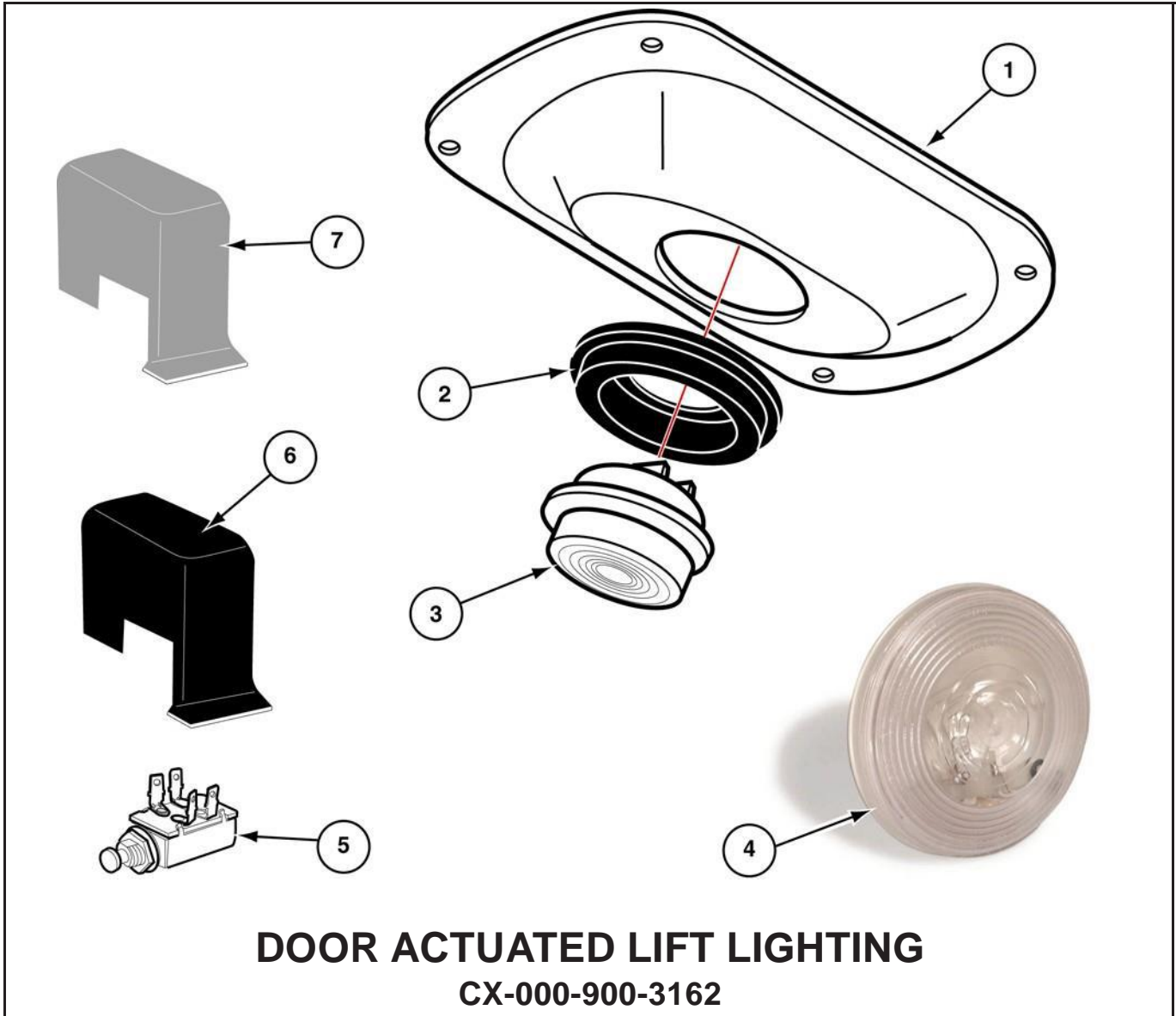
LIGHT ABOVE ENTRANCE DOOR 0415739

<i>ITEM PART NO. DESCRIPTION</i>	<i>QTY</i>	<i>ITEM PART NO. DESCRIPTION</i>	<i>QTY</i>
NS 3973229 Light, Stepwell Clear W/Guard	1		

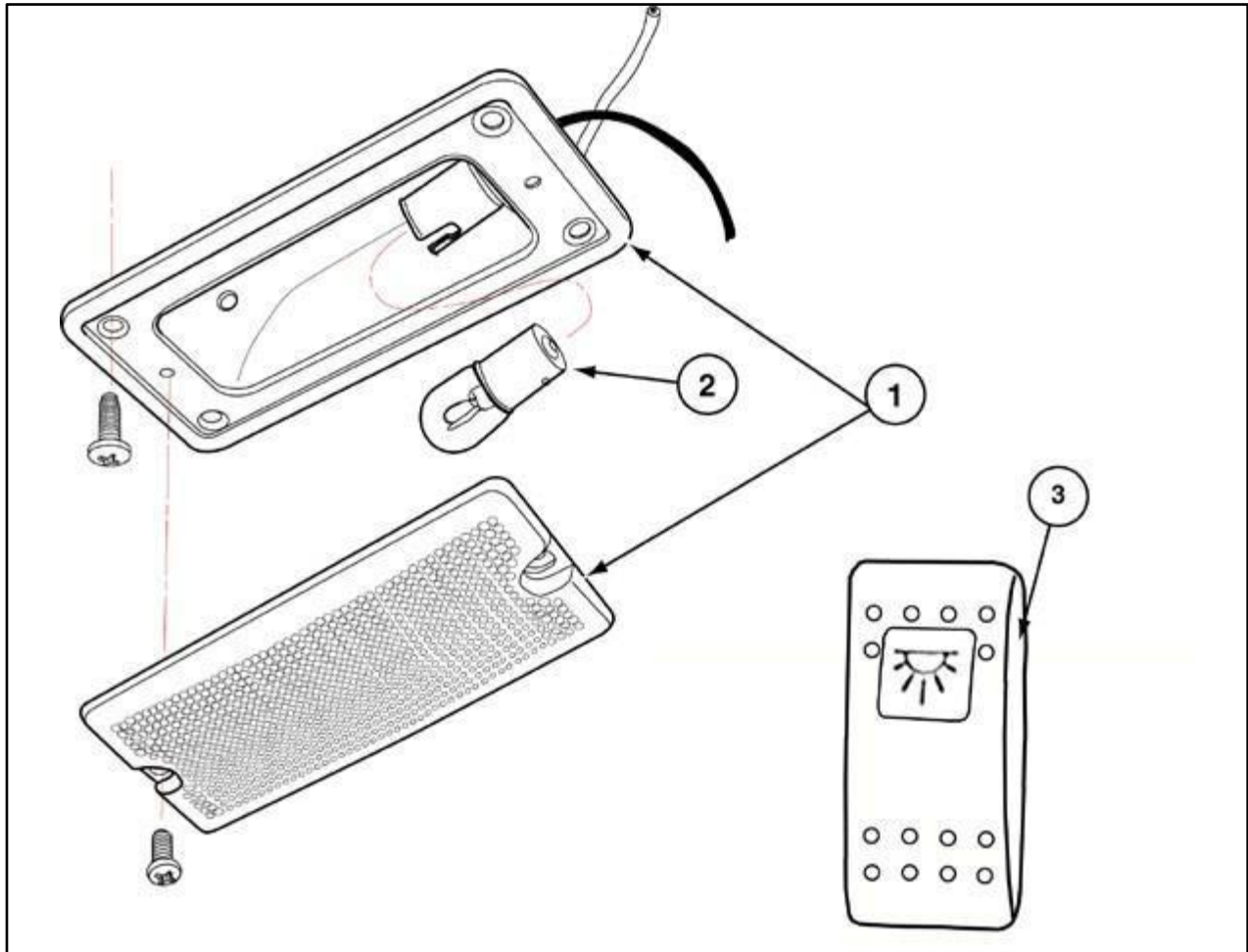


dOOR ACTuATED ENTrANCE LighTiNg (AdA)
0415885 / Cx-000-900-3174 / CX0000023174

<i>ITEM PART NO.</i>	<i>DESCRIPTION</i>	<i>QTY</i>	<i>ITEM PART NO.</i>	<i>DESCRIPTION</i>	<i>QTY</i>
1	3971448 Light, Courtesy M434	2			
2	0403822 Landing Light (ADA)	1			
3	0403157 Light with out Switch	1			

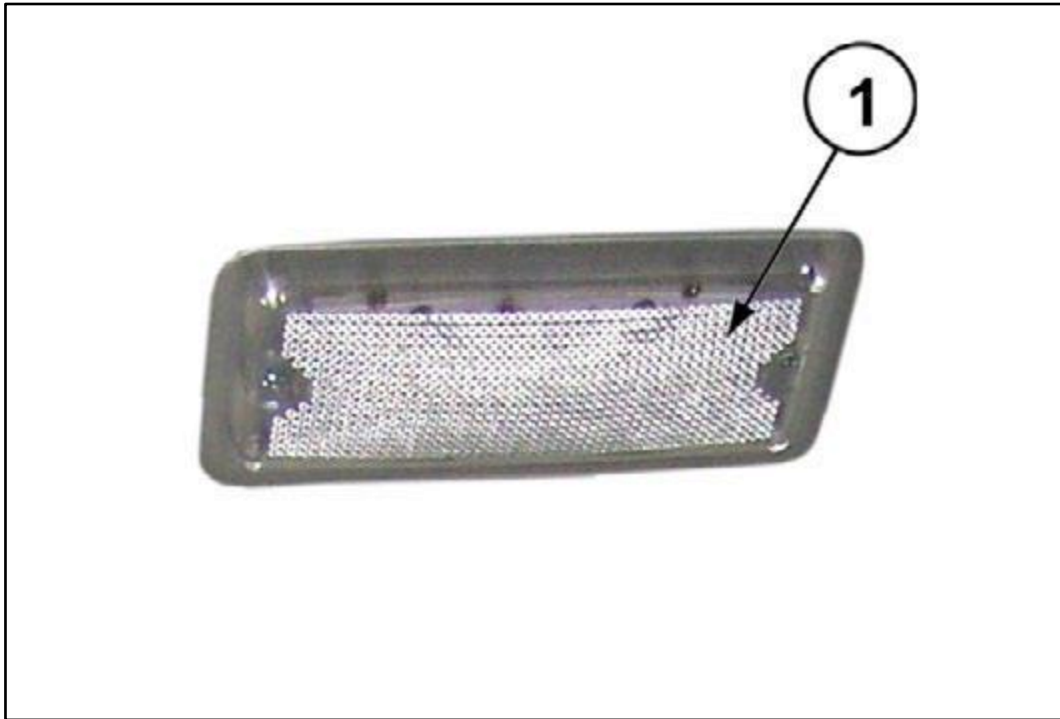


<i>ITEM PART NO.</i>	<i>DESCRIPTION</i>	<i>QTY</i>	<i>ITEM PART NO.</i>	<i>DESCRIPTION</i>	<i>QTY</i>
1	3371024 BEZEL, 4" ROUND INTERIOR LIFT LIGHT	1			
2	3971471 GROMMET, TAIL LIGHT RUBBER	1			
3	3971914 LIGHT, 4" ROUND INTERIOR LIFT	1			
4	3971447 LIGHT, BACKUP ROUND	1			
5	3971963 SWITCH, JAMB DPST CLOSED	1			
6	3371079 COVER, JAMB SWITCH	1			
7	3371674 COVER, LIFT DOOR SWITCH GRAY	1			



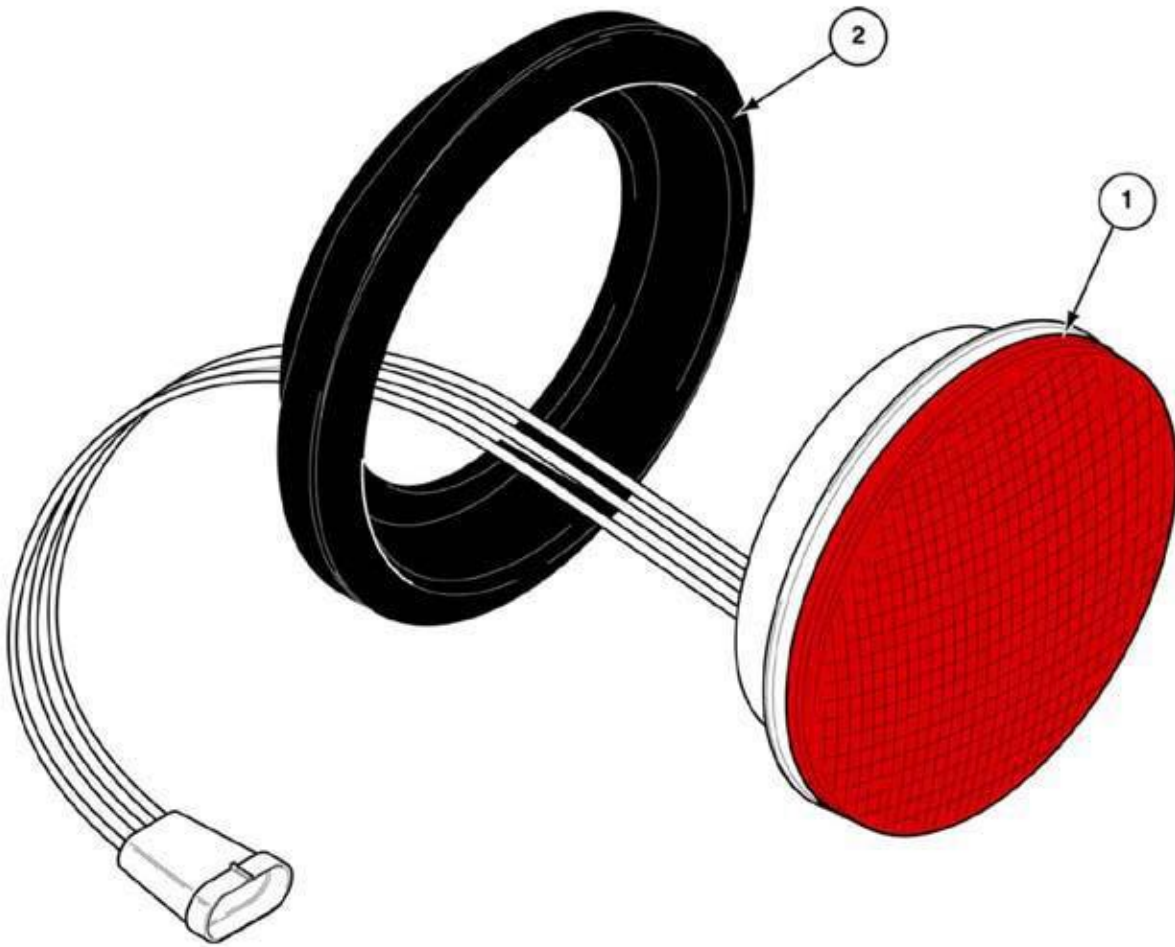
INTERIOR DOME LIGHTING 3097 /1221

ITEM	PART NO.	DESCRIPTION	QTY	ITEM	PART NO.	DESCRIPTION	QTY
01	3943917	LIGHT, DOME WITHOUT SWITCH	AR	REFERS TO ALL ASSEMBLIES LISTED BELOW:			
02	3971470	BULB (1141)	AR	CH-000-900-3097 (REV-A)	CX0000023097 (REV-A)		
03	3945193	SWITCH, CARLING ON/OFF/ON	1	CH-220-999-3097	0403157	EZ-280-999-3097	
N/S	3973901	ACTUATOR, BLANK	1	CH-250-999-3097	0403077		
				CH-251-999-3097	0415381		
				CH-270-999-3097	0415382		
				CH-280-999-3097	0415383		
				CR-211-999-3097	0416397		
				CT-330-999-3097	CH-270-900-1221		
				BG-340-999-1221	CH-280-999-3097		
				CT-380-900-1221	CT-330-900-1221		
				DF-290-999-1221	CT-330-999-3097		
				DF-310-999-1221	DF-293-999-1221		



led interior dome light
0419252 / 0418247 - 3974891

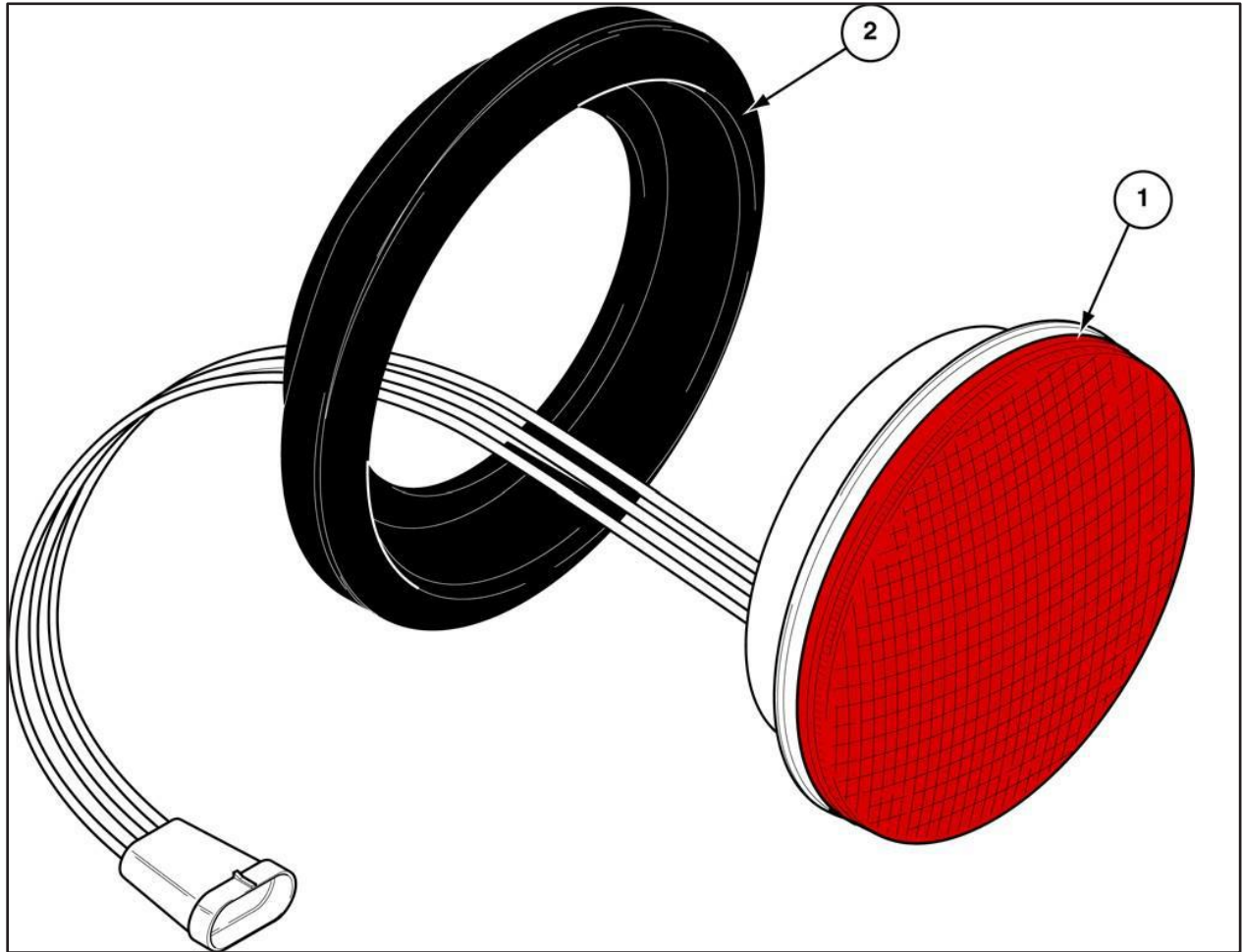
<i>ITEM</i>	<i>PART NO.</i>	<i>DESCRIPTION</i>	<i>QTY</i>	<i>ITEM</i>	<i>PART NO.</i>	<i>DESCRIPTION</i>	<i>QTY</i>
01	3974891	Light, LED Interior Dome	AR				



rear center brake light install

df000nd22826

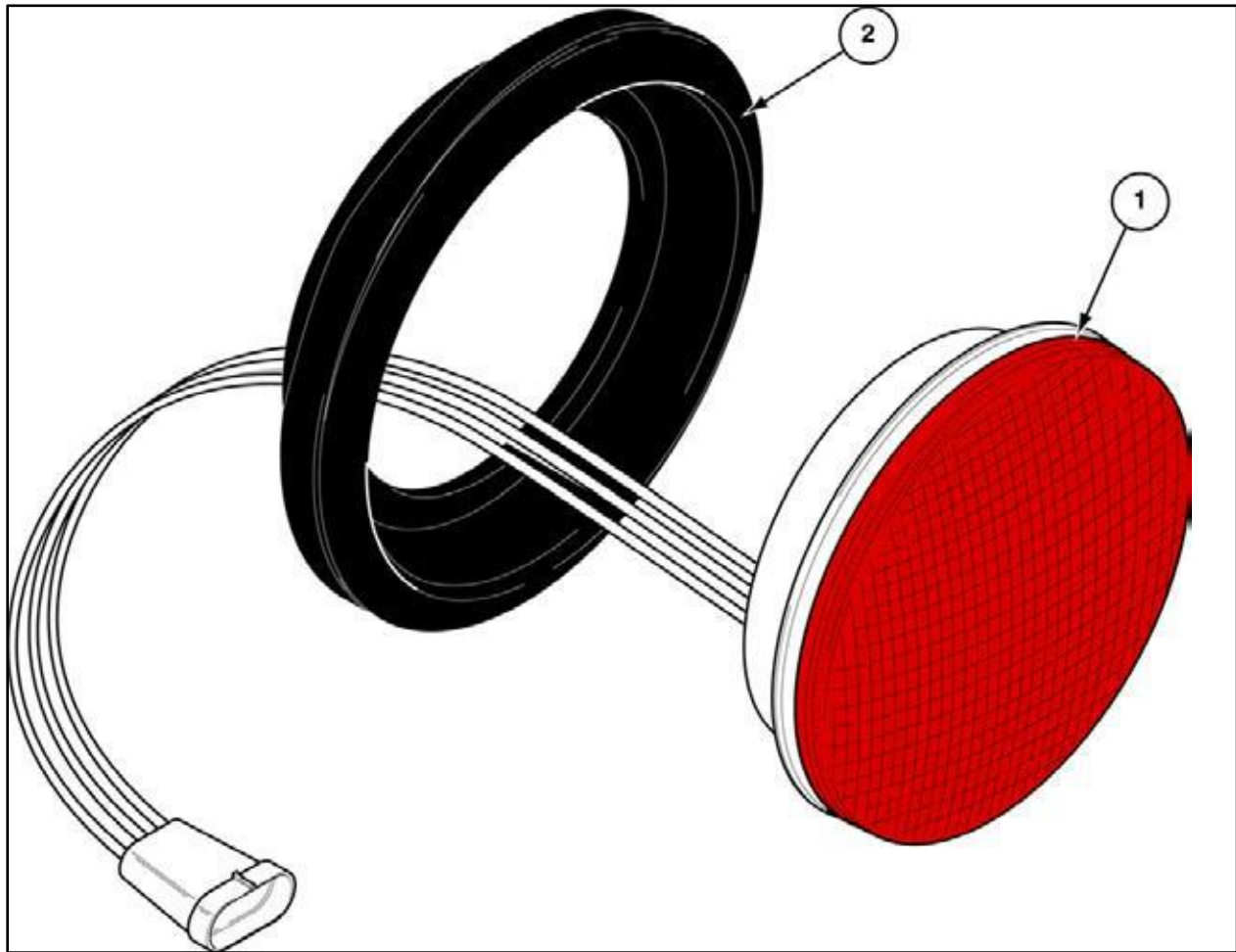
ITEM	PART NO.	DESCRIPTION	QTY	ITEM	PART NO.	DESCRIPTION	QTY
1	3971446	Light, Stop & Tail Round	1				
2	3972986	Grommet, 4" Light Peterson B426-18	1				
N/S	3972919	Harness, Rear Center Brake Light	1				



Rear Center Brake Light - Led

Cx000SO20046 / 0413229

<i>ITEM PART NO. DESCRIPTION</i>	<i>QTY</i>	<i>ITEM PART NO. DESCRIPTION</i>	<i>QTY</i>
1 3973293 Light, 4" Red Stop/T/T	1		
2 3971471 Grommet, Tail Light Rubber	1		
3 3972986 Grommet, 4" Light	1		
NS 3972920 Harness, Rear Center Brake Light	1		



ReaR Center BRake Light - Led
Ch000fp22826 - Ch000fU22826 - Ch-000-900-2826

<i>ITEM PART NO. DESCRIPTION</i>	<i>QTY</i>	<i>ITEM PART NO. DESCRIPTION</i>	<i>QTY</i>
1 3971446 Light, Stop & Tail Round	1		
2 3972986 Grommet, 4" Light Peterson B426-18	1		
N/S 3972919 Harness, Rear Center Brake Light	1		



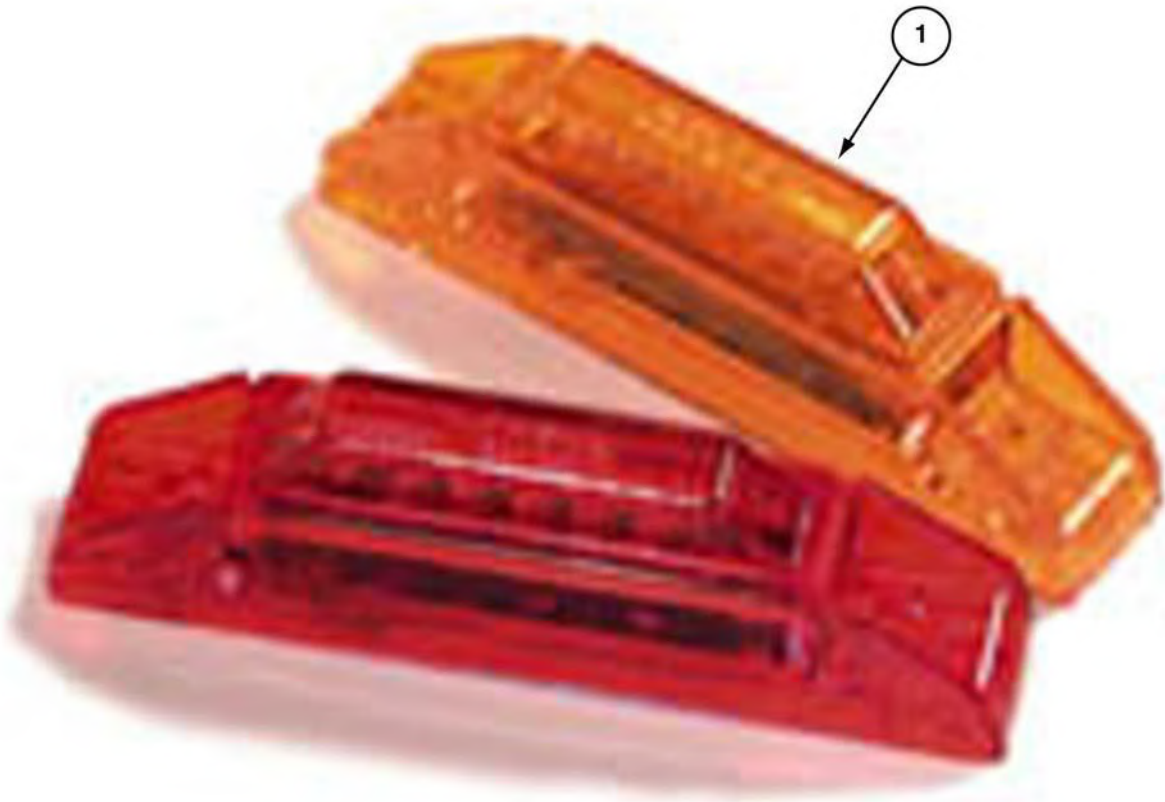
**led light stop/turn/tail oval red
CX0000020087**

<i>ITEM PART NO. DESCRIPTION</i>	<i>QTY</i>	<i>ITEM PART NO. DESCRIPTION</i>	<i>QTY</i>
01 3972186 Light, LED S/T/T Oval Red	1		



amber t/t lights & rear cntr brake light
3973292 / 3975169

<i>ITEM PART NO. DESCRIPTION</i>	<i>QTY</i>	<i>ITEM PART NO. DESCRIPTION</i>	<i>QTY</i>
1 3973292 Light, LED 4" Amber Turn/Tail	2		
2 3975169 Light, Rear Center Brake (Rectangle)	1		



GUARDED LED CLEARANCE LIGHTS
0411397

<i>ITEM</i>	<i>PARTNO.</i>	<i>DESCRIPTION</i>	<i>QTY</i>	<i>ITEM</i>	<i>PARTNO.</i>	<i>DESCRIPTION</i>	<i>QTY</i>
01	3973023	LIGHT, FRONT LED CLEARANCE	5				
N/S	8571259	BRACKET ARMORED MOUNT	5				



**Amber CleArAnCe light DF3200
0411037**

ITEM PART NO.	DESCRIPTION	QTY	ITEM PART NO.	DESCRIPTION	QTY
01	3973930 Light, Clearance, LED International	1			
NS	3973916 Connector, 2F	1			
NS	3973917 Connector, Lock TPA	1			
NS	3973918 Terminal, Female 150	2			



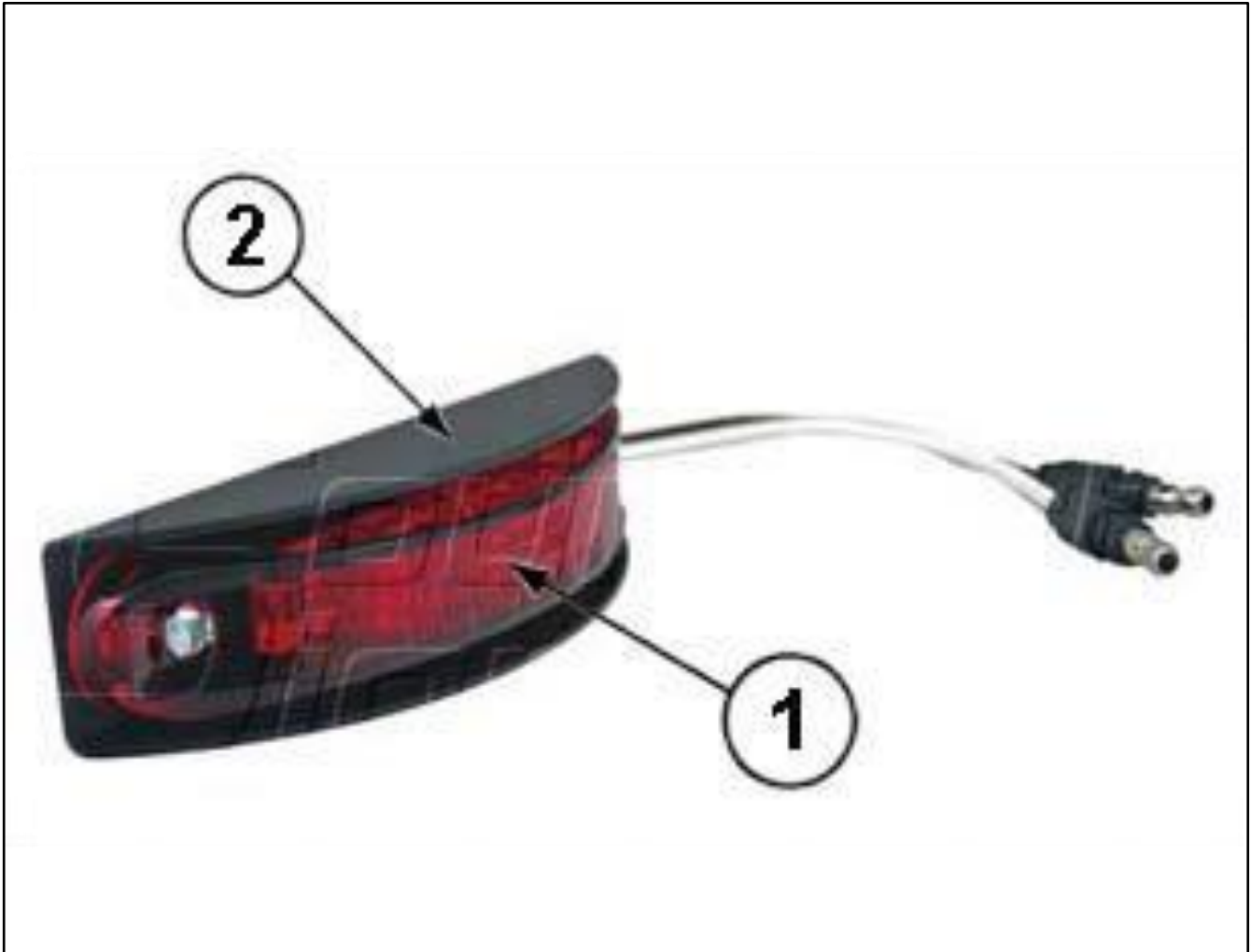
FRONT AMBER CLEARANCE LIGHT
0406333

<i>ITEM PARTNO. DESCRIPTION</i>	<i>QTY</i>	<i>ITEM PARTNO. DESCRIPTION</i>	<i>QTY</i>
01 3972999 LIGHT, CAB CLEARNCE	1		
N/S #194 WEDGE BASE BULB	1		



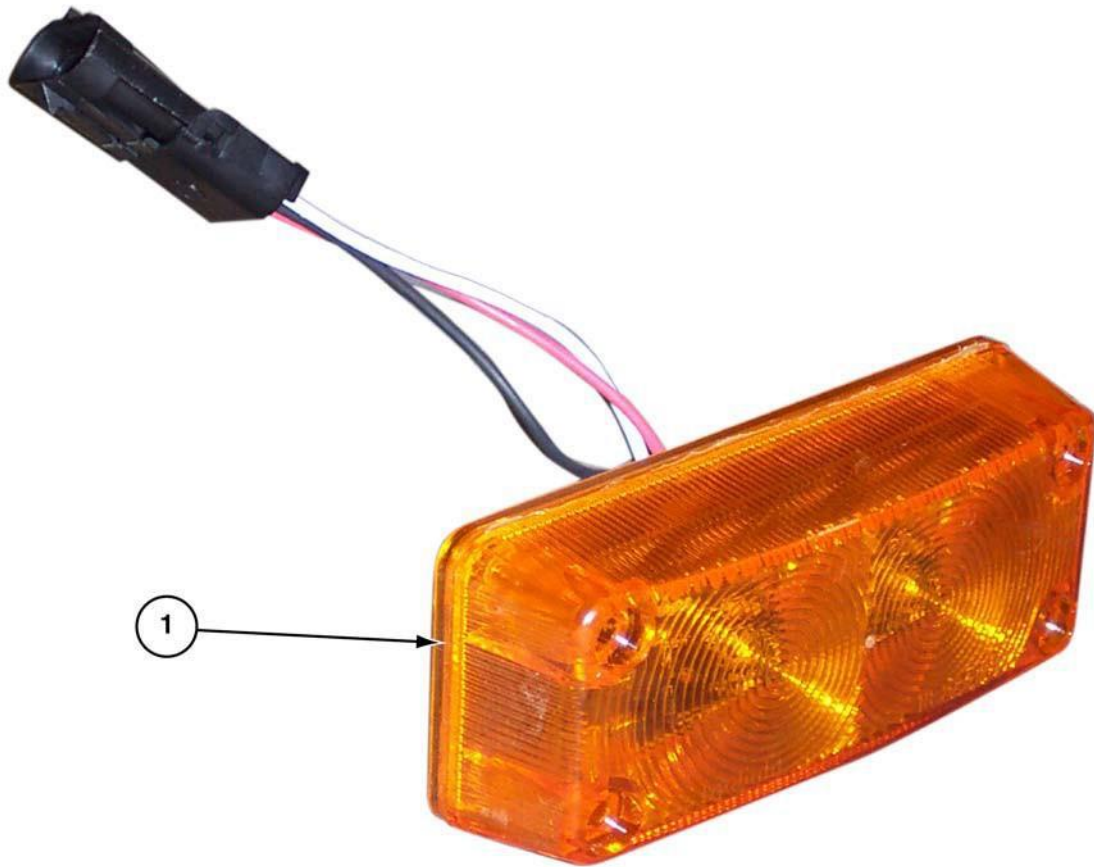
**RED CLEARANCE LIGHT, RED 2.5" ROUND
0402777**

<i>ITEMPART NO.</i>	<i>DESCRIPTION</i>	<i>ITEMPART NO.</i>	<i>DESCRIPTION</i>
1	3971690 LIGHT, CLEARANCE 2.5" RED SEALED W/REFL	1	
2	3971691 GROMMET, MOUNT KIT 2.5" CLEARANCE LIGHT	1	



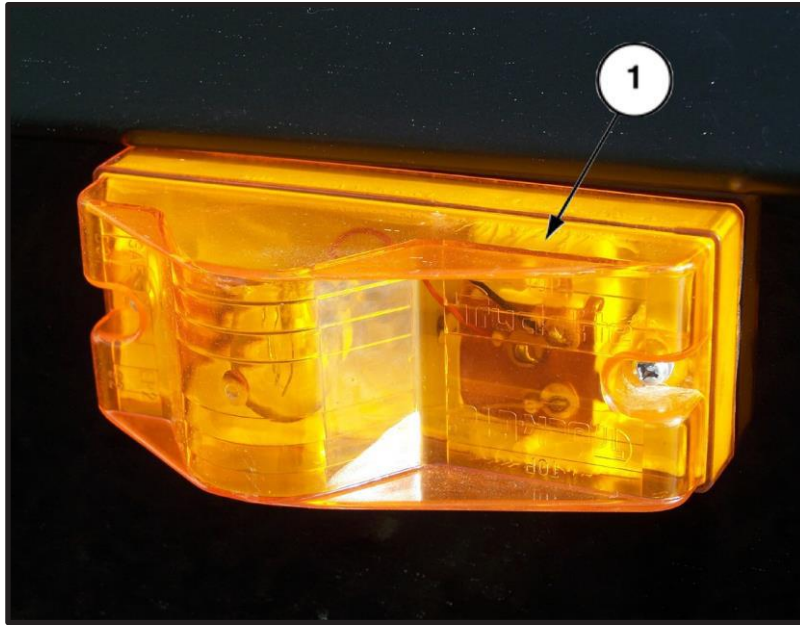
**red marker light w/guard
0418877**

<i>ITEM PART NO. DESCRIPTION</i>	<i>QTY</i>	<i>ITEM PART NO. DESCRIPTION</i>	<i>QTY</i>
1 3975255 LIGHT, RED MARKER	1		
2 3974689 Guard, Light Frt Clearance Blk Metal	1		
3975256 Guard, Red Marker Light	1		



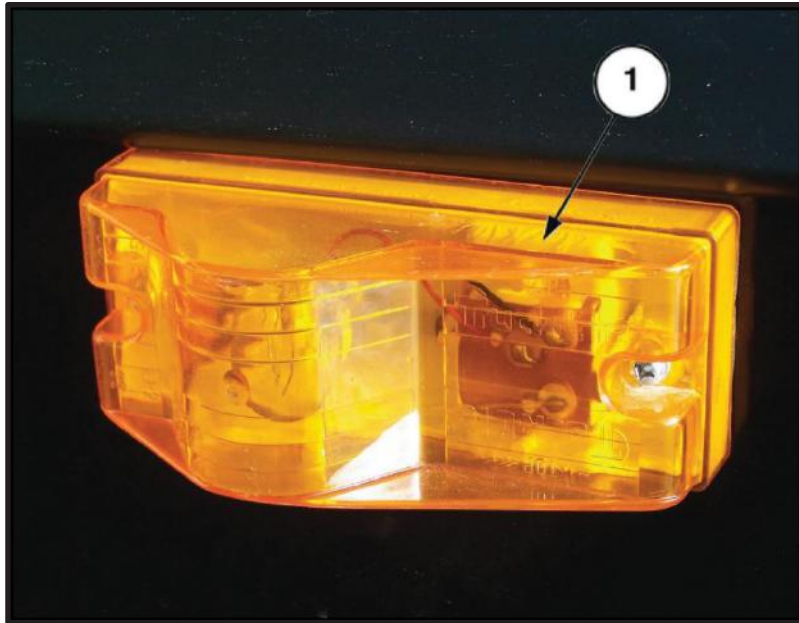
SIDE DIRECTIONAL/MARKER LIGHT (LED)
CH-000-998-3102L

<i>ITEM</i>	<i>PARTNO.</i>	<i>DESCRIPTION</i>	<i>QTY</i>	<i>ITEM</i>	<i>PARTNO.</i>	<i>DESCRIPTION</i>	<i>QTY</i>
01	3972795	LIGHT, SIDEMARKERCENTER (LED)	2				



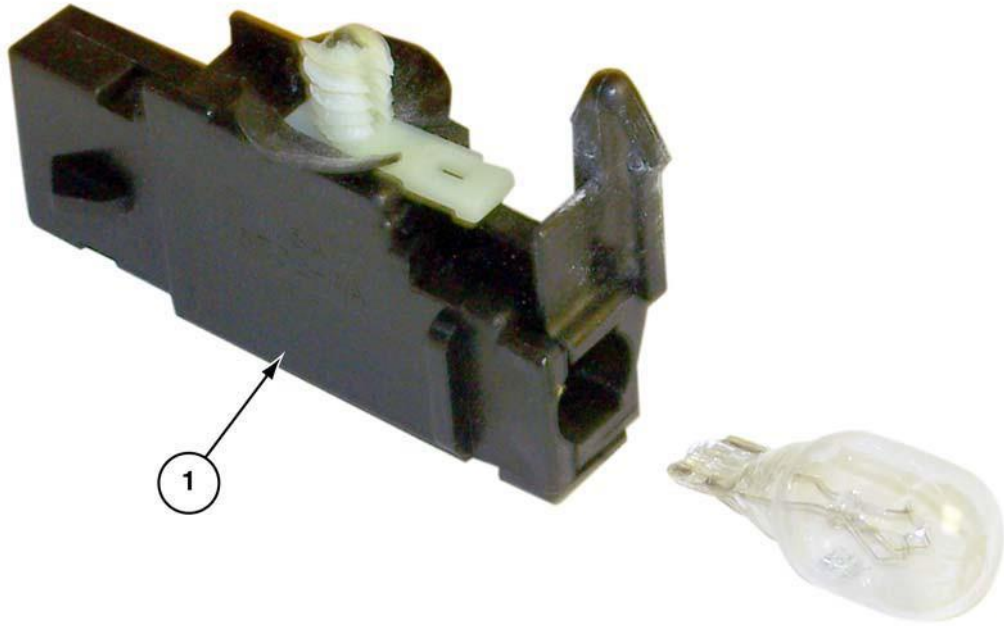
side directional lights
ch-000-900-3102

<i>ITEM PART NO. DESCRIPTION</i>	<i>QTY</i>	<i>ITEM PART NO. DESCRIPTION</i>	<i>QTY</i>
01 3971879 Light, Sealed Side Marker Amber	2		
NS 3970472 Breaker, 15 Amp	1		
NS 3971517 P-Clamp, Vinyl Coated Steel 5/8	3		



side directional lights
cX0000023102

<i>ITEM PART NO. DESCRIPTION</i>	<i>QTY</i>	<i>ITEM PART NO. DESCRIPTION</i>	<i>QTY</i>
01 3971879 Light, Sealed Side Marker Amber	2		
NS 0403288 Harness, Side Directional	1		
NS 3971517 P-Clamp, Vinyl Coated Steel 5/8	3		
NS 3972861 Reflector, Mini Stick-On Rectangle	2		
NS 3972862 Reflector, Mini Stick-On Rectangle	2		



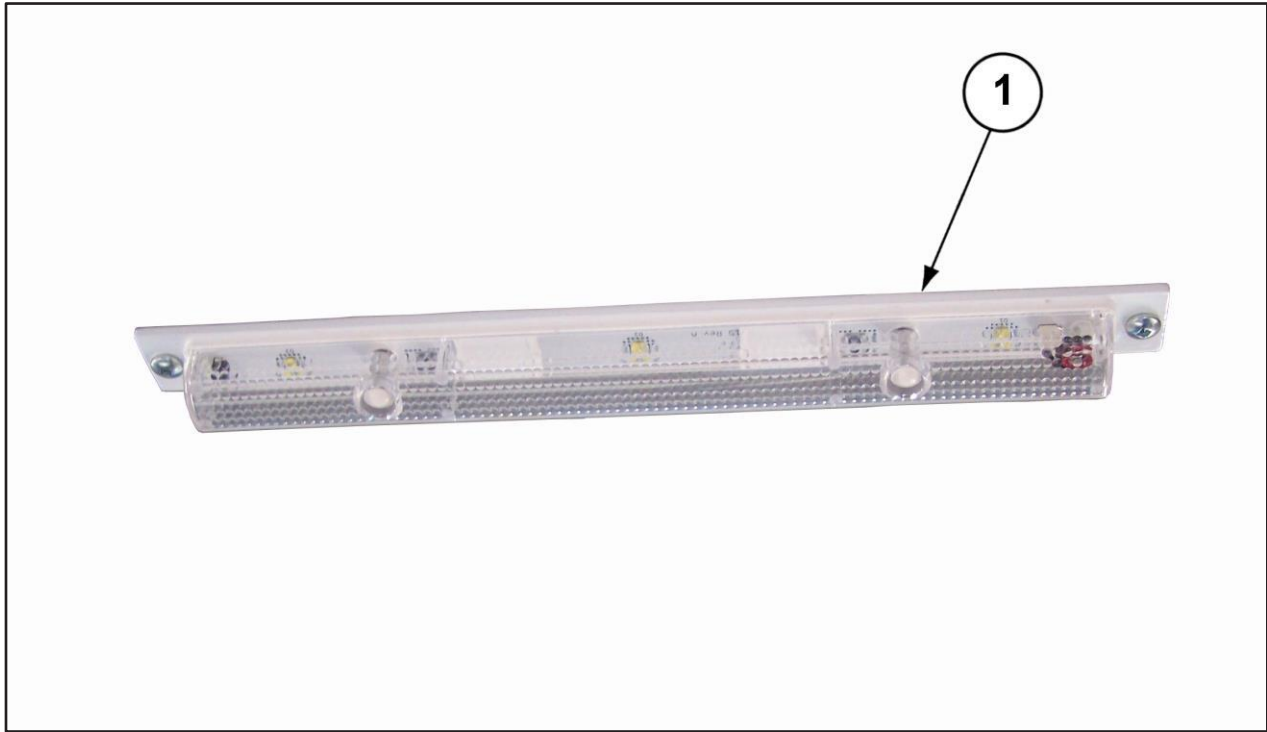
ENGINE COMPARTMENT LIGHT
CH-000-900-3043 / CX000FP23043

<i>ITEM PART NO. DESCRIPTION</i>	<i>QTY</i>	<i>ITEM PART NO. DESCRIPTION</i>	<i>QTY</i>
01 3973240 LIGHT, UNDERHOOD W/BALL BEARING SWITCH	2		



install glovebox light (overhead)
cx0000080913

<i>ITEM PART NO. DESCRIPTION</i>	<i>QTY</i>	<i>ITEM PART NO. DESCRIPTION</i>	<i>QTY</i>
01 3971448 Light, Courtesy	1		
N/S 3946134 Switch, Toggle ON/OFF SPST	1		



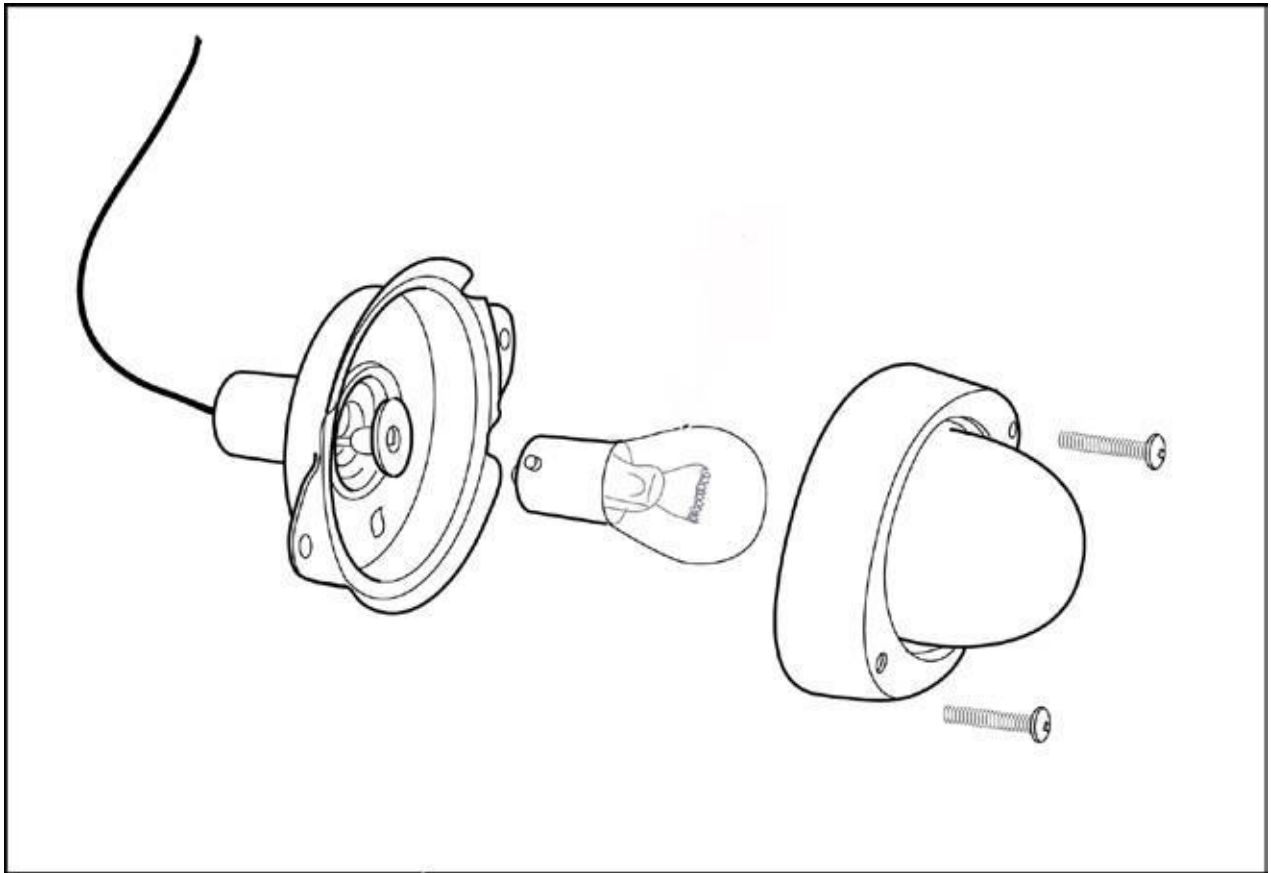
INTERIOR LIGHTS, 12" LED STRIP 0416399

<i>ITEM PART NO. DESCRIPTION</i>	<i>QTY</i>	<i>ITEM PART NO. DESCRIPTION</i>	<i>QTY</i>
01 3974361 Light, LED Strip 12"	8		
NS 3972645 Breaker, 5 AMP Manual Reset	1		



Floor lights in kick boards (per light)
cx-000-900-0112

<i>ITEM PART NO. DESCRIPTION</i>	<i>QTY</i>	<i>ITEM PART NO. DESCRIPTION</i>	<i>QTY</i>
01 3972878 Light, Interior Flush Mount	1		



Install landing light w/guard 0413410

<i>ITEM PART NO. DESCRIPTION</i>	<i>QTY</i>	<i>ITEM PART NO. DESCRIPTION</i>	<i>QTY</i>
01 3973229 Light, Stepwell Clear w/Guard	1		
N/S 3972882 Harness, Stepwell Light CH	1		
N/S 0741009 Tube, Shrink .25 PF-1/4-4BK	A/R		
N/S 3970472 Breaker, 15 AMP 1771-1520 (Silver)	1		



EXIT LIGHT INDICATOR INSTALL CX0000070135

<i>ITEM PART NO. DESCRIPTION</i>	<i>QTY</i>	<i>ITEM PART NO. DESCRIPTION</i>	<i>QTY</i>
01 3971363 Light, Indicator Red	1		



Exit light indicator

cx0000072815

<i>ITEM PART NO. DESCRIPTION</i>	<i>QTY</i>	<i>ITEM PART NO. DESCRIPTION</i>	<i>QTY</i>
01 3974480 Light, Indicator Red	1		
NS 3974527 Harness, Exit Lights	1		



LED RED INDICATOR LIGHT
0414039

<i>ITEM</i>	<i>PARTNO.</i>	<i>DESCRIPTION</i>	<i>QTY</i>	<i>ITEM</i>	<i>PARTNO.</i>	<i>DESCRIPTION</i>	<i>QTY</i>
1	3973345	LIGHT, LED RED INDICATOR	1				
2	3973346	GROMMET, INDICATOR LIGHT	1				



DOOR AJAR LIGHT - LUGGAGE
CX0000023099

<i>ITEM PART NO. DESCRIPTION</i>	<i>QTY</i>	<i>ITEM PART NO. DESCRIPTION</i>	<i>QTY</i>
----------------------------------	------------	----------------------------------	------------

01 3974887 LIGHT, INDICATOR (GREEN) 14V	1		
---	---	--	--

NOTE: Picture may not match part exactly.



daytime running lights - Cr FOrd
CX0000020416 / CX-000-900-0416

<i>ITEM</i>	<i>PART NO.</i>	<i>DESCRIPTION</i>	<i>QTY</i>	<i>ITEM</i>	<i>PART NO.</i>	<i>DESCRIPTION</i>	<i>QTY</i>
01	3971964	Module, Daytime Running Lights	1				
N/S	3971287	Fuse, 20 AMP ATO Blade Type	1				



clear fog lights
cz-000-900-3100

<i>ITEM</i>	<i>PART NO.</i>	<i>DESCRIPTION</i>	<i>QTY</i>	<i>ITEM</i>	<i>PART NO.</i>	<i>DESCRIPTION</i>	<i>QTY</i>
01	3971428	Light, Fog Clear Rectangular (Set)	1				
NS	0410237	Harness, Wire Foglights	1				
NS	3973890	Actuator, Fog Light	1				



DRIVER'S SPOT LIGHT - MANUAL
CX0000023294

<i>ITEM</i>	<i>PART NO.</i>	<i>DESCRIPTION</i>	<i>QTY</i>	<i>ITEM</i>	<i>PART NO.</i>	<i>DESCRIPTION</i>	<i>QTY</i>
01	3972408	Light, Spot Hand Held Defender	1				
NS	3972471	Kit, Installation Spot Light	1				



Strobe Light CX0000020063

<i>ITEM PART NO. DESCRIPTION</i>	<i>QTY</i>	<i>ITEM PART NO. DESCRIPTION</i>	<i>QTY</i>
01 3971476 Light, Strobe Amber 768A	1		
NS 8970730 Lens, Strobe Light Clear	1		
NS 3973896 Actuator, Strobe Light	1		



LIGHT, STROBE CLEAR MINI - KIT 0414549

<i>ITEM PART NO. DESCRIPTION</i>	<i>QTY</i>	<i>ITEM PART NO. DESCRIPTION</i>	<i>QTY</i>
01 3973719 LIGHT, STROBE MINI 250 KIT(CLEAR)	1		



Install Light, Double bullet

CX0000021206 / 0403629

ITEM	PART NO.	DESCRIPTION	QTY	ITEM	PART NO.	DESCRIPTION	QTY
01	3971720	Light, Double Aircraft w/ Camlocks	1				
N/S	0412012	Install Pigtail Double Bullet Light	1				



**CHAMPION
BUS, INC.**

Wholly owned subsidiary of Thor Industries, Inc.

SECTION 8:

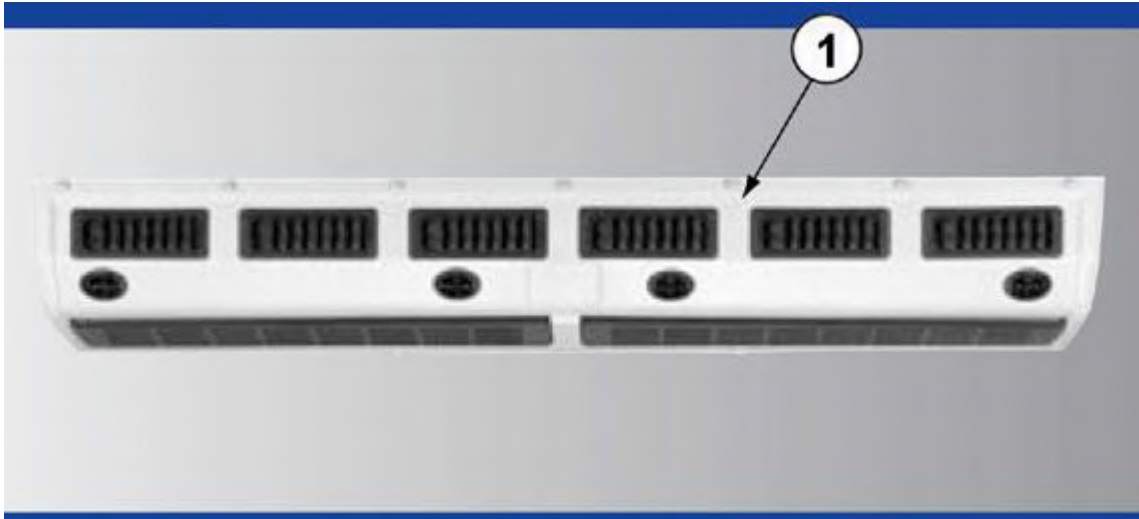
HEATING & COOLING



EVAPORATOR EM-3 Gen 5

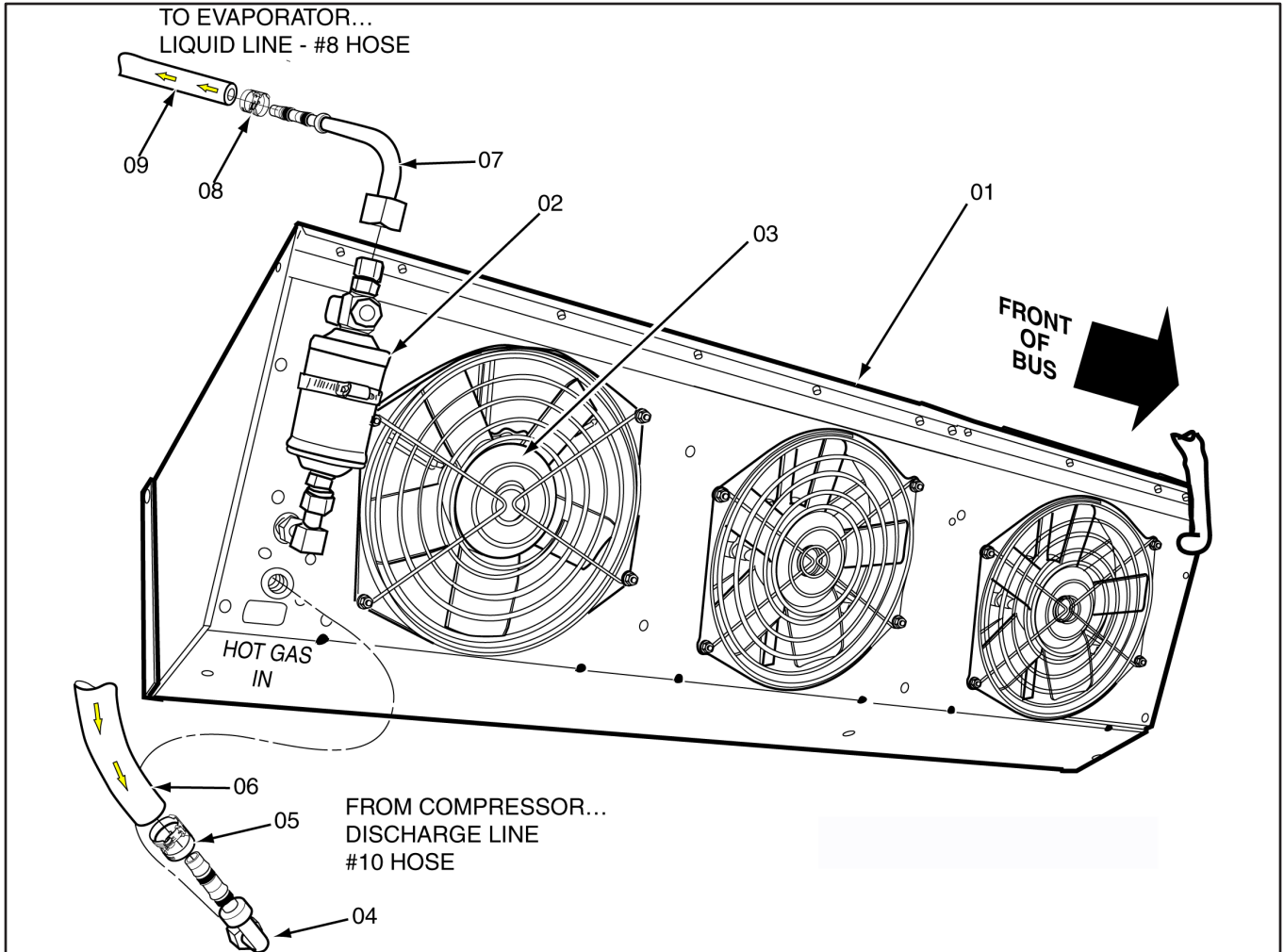
0420037 / 0412675

<i>ITEM</i>	<i>PART NO.</i>	<i>DESCRIPTION</i>	<i>QTY</i>	<i>ITEM</i>	<i>PART NO.</i>	<i>DESCRIPTION</i>	<i>QTY</i>
1	1771008	Evaporator, EM-3 GEN 5	1				
2	0402960	Install, Pad Evaporator EM-3	1				
N/S	0342782	Bracket, A/C 303-117	2				
N/S	0374655	Bracket, Air Conditioner Mount	2				
N/S	3973254	Harness, Evaporator White EM-3 Gen 5	33				
N/S	3972423	Fuse, Mega 150 Amp, 22-02336-15	1				
N/S	3973742	Holder Fuse Bussman	1				
N/S	2970853	Fitting, 90 Deg 3/8" M.Or X #8 Hose	2				
N/S	2970852	Fitting, 90 Deg 5/8" M.OR X #12 Hose	2				



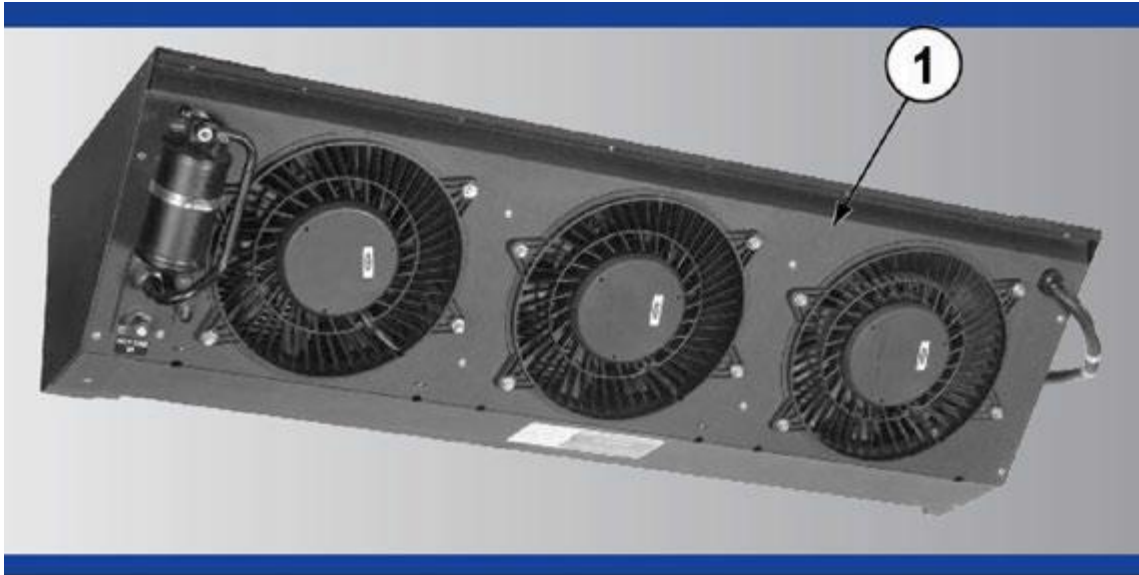
evaporator, em-3
0419855 - 1771810

<u>ITEM PART NO.</u>	<u>DESCRIPTION</u>	<u>QTY</u>	<u>ITEM PART NO.</u>	<u>DESCRIPTION</u>	<u>QTY</u>
01	1771810 Evaporator, EM-3 Including Hardware	1			



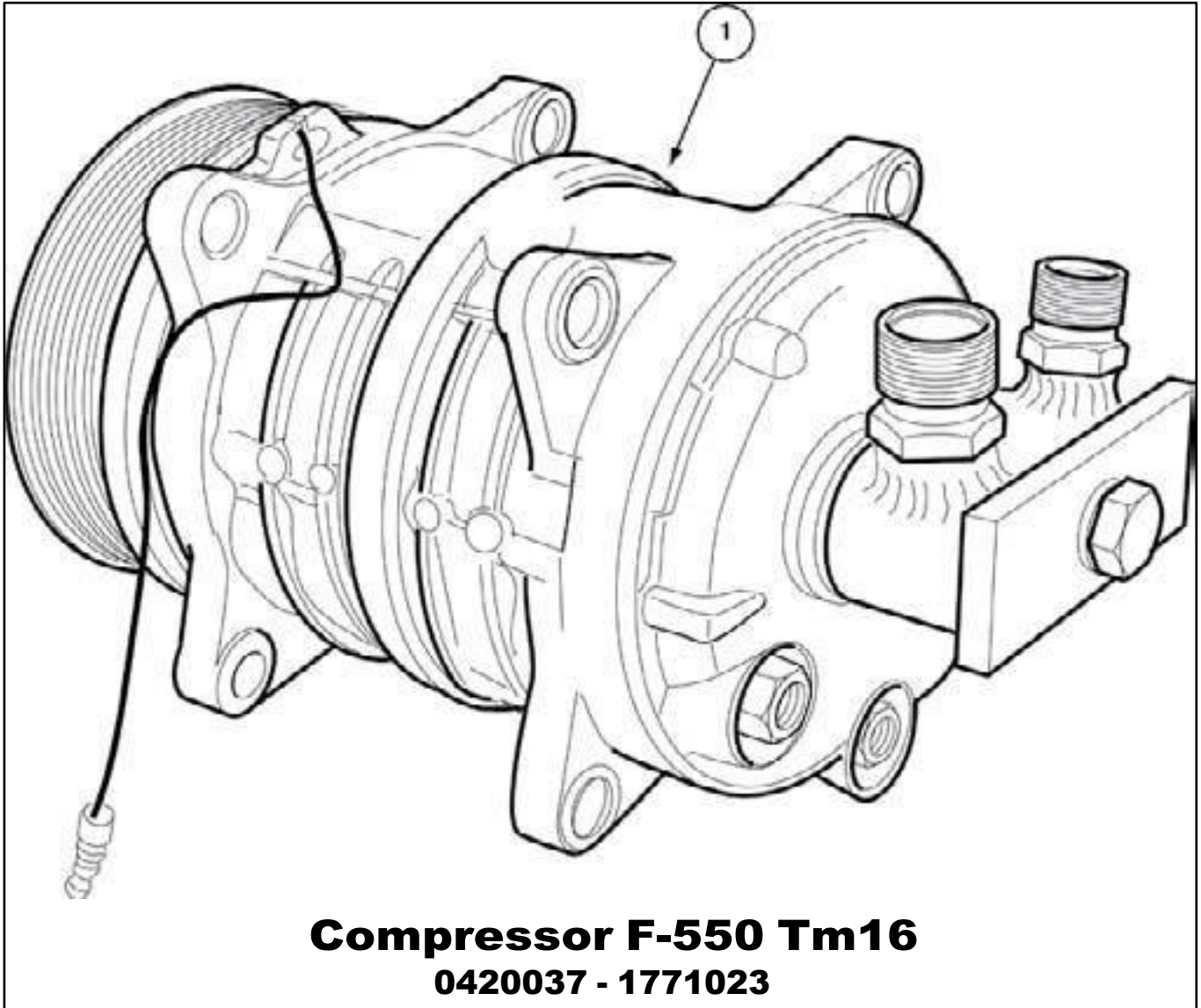
condenser, 3-fan micro 0420037 / 0417150

ITEM PART NO.	DESCRIPTION	QTY	ITEM PART NO.	DESCRIPTION	QTY
1	1771528 Condenser, 3-Fan Carrier Micro	1	N/S 3973249	Harness, Condenser	18
2	1013723 Filter, Drier	1	NS 0375327	Bracket, Condenser Mounting	2
3	1012460 Fan, Condenser Pancake Assy	3	NS 0372656	Angle, 11GA 1.5 x 120.0	AR
04	2970854 Fitting, 90 Deg 1/2" F.OR X #10	1	NS 0377883	Channel, 11GA x 2 x 2.88 x 2 x 15	2
5	2970851 Fitting, Quickclick #10	1	NS 0570090	Flap, Mud 1/4" 24" x 33" Rubber	.5
6	1770842 Hose, #10 Quickclick	AR	NS 0372656	Angle, 11GA 1.5 x 120.0	.2
7	2970938 Fitting, 90 Deg Female O-Ring	1	NS 0348250	Steel, Flat 11GA x 3 x 10 Feet	.5
8	2970850 Fitting, Quickclick #8	1	NS 4570139	Angle, Alum 1 x 1.5 x 12Ft Anodized B	.8
9	1770841 Hose, #8 Quickclick	AR			

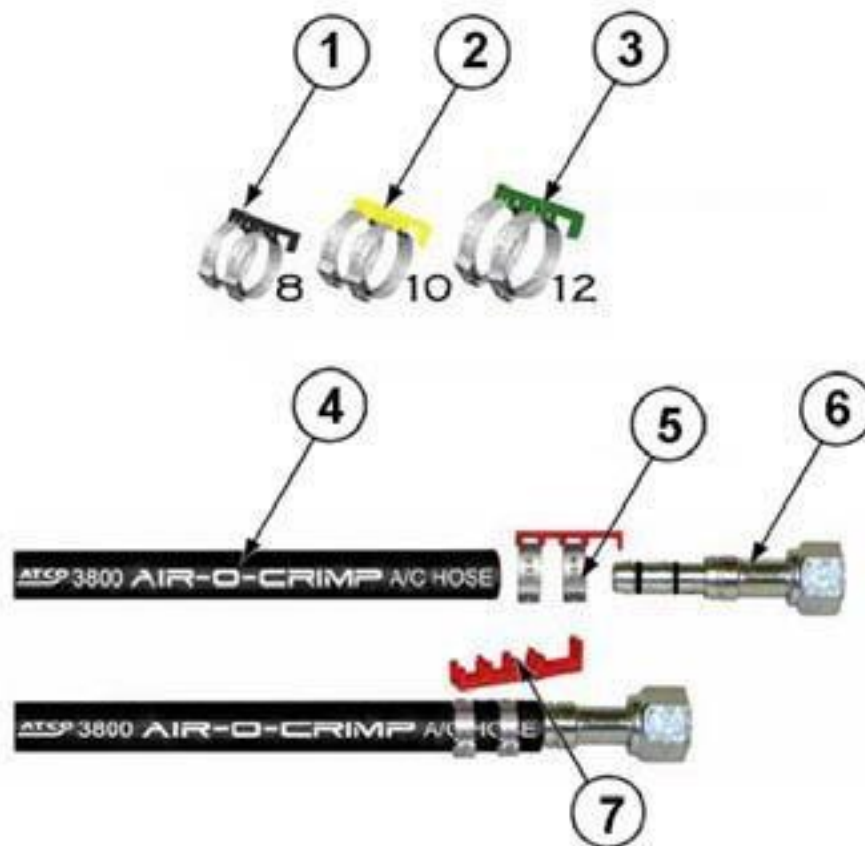


condenser, 3-fan
0419854 - 1771746

<i>ITEM PART NO. DESCRIPTION</i>	<i>QTY</i>	<i>ITEM PART NO. DESCRIPTION</i>	<i>QTY</i>
01 1771746 Condenser, 3-Fan 80K	1		
NS 0375327 Bracket, Condenser Mounting	2		

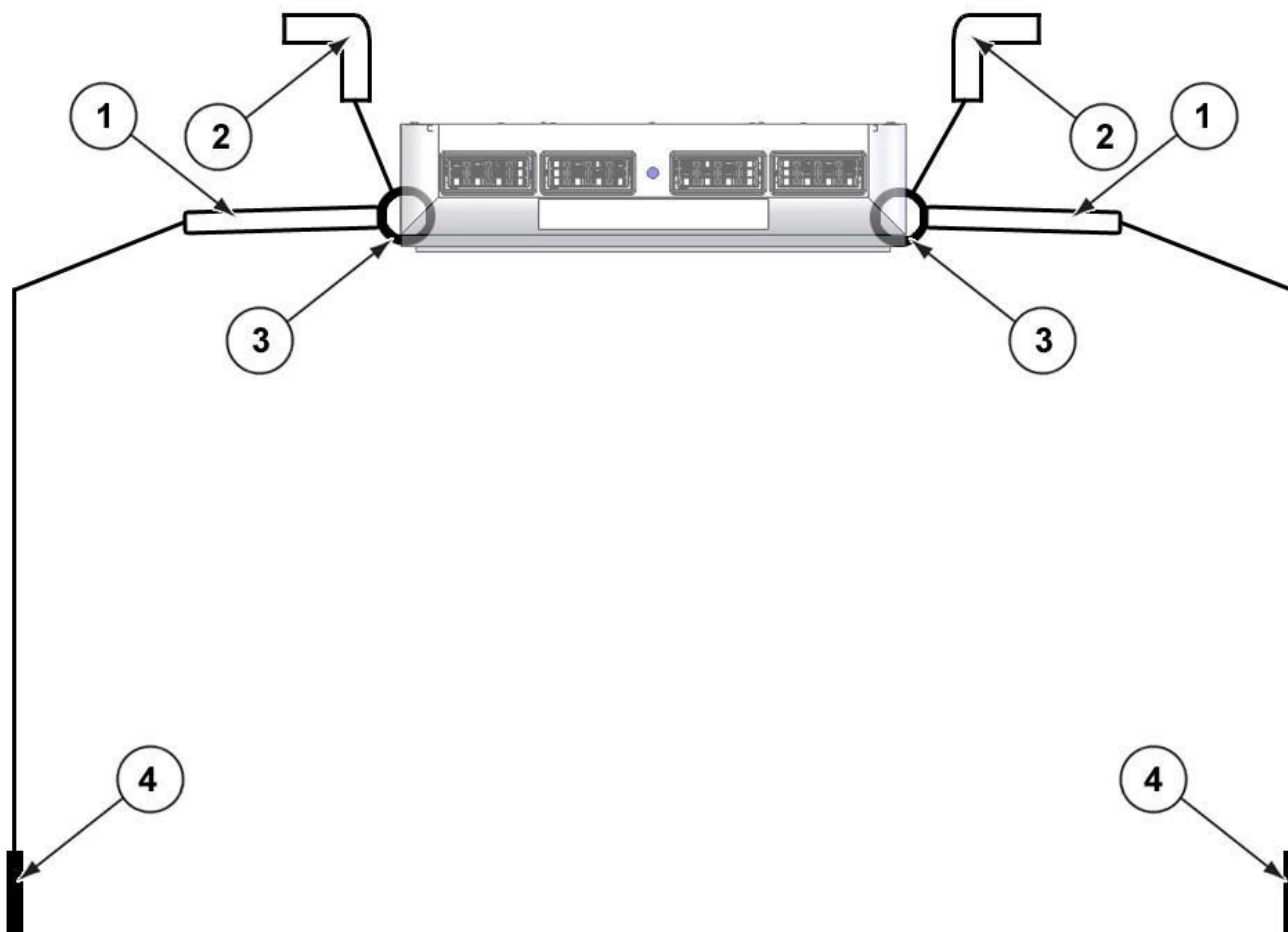


<i>ITEM</i>	<i>PART NO.</i>	<i>DESCRIPTION</i>	<i>QTY</i>	<i>ITEM</i>	<i>PART NO.</i>	<i>DESCRIPTION</i>	<i>QTY</i>
01	1771023	Compressor, TM-16 Pad Poly	1				
NS	1771734	Mount, Compressor F-550 6.7 DSL	1				



a/c hoses & fittings 75k btu a/c system 0420037

ITEM	PART NO.	DESCRIPTION	QTY	ITEM	PART NO.	DESCRIPTION	QTY
01	2971108	Clamp, #8 - 20 Per Tube	AR				
02	2971109	Clamp, #10 -20 Per Tube	3				
03	2971110	Clamp, #12 -20 Per Tube	3				
04	2971114	Hose, #8 AOC 500' Reel	40				
	2971115	Hose, #10 AOC 500' Reel	90				
	2971116	Hose, #12 AOC 500' Reel	100				
05		See Above Clamps					
06	2971095	Fitting, 8-FO x 10-HS 90	1				
	2971096	Fitting, 10-FO x 12-HS 90	1				
	2971107	Fitting, 10-HS x 10-HS /LCP/SPL	1				
	2971106	Fitting, 12-HS x 12-HS/LCP/SPL	1				
07	NA	Clamp Locator, (Disposable)	AR				
NS	1771406	Belt, Trans Air MXF-7 Poly 8GR (Air)	1				
NS	3974099	Bar, Breaker Connection TA	1				



A/C DRAIN LINES

0420037/ 0402955

<i>ITEM PART NO. DESCRIPTION</i>	<i>QTY</i>	<i>ITEM PART NO. DESCRIPTION</i>	<i>QTY</i>
01 1770478 Hose, Drain 1/2" Clear	A/R		
02 2970226 Elbow, Drain Hose	2		
03 3973928 Grommet, Rubber .50"	2		
04 1770715 Valve, Kazoo 5/8	2		



**120k btu slr65 6.8L tk ac system
0420070**

<u>ITEM</u>	<u>PART NO.</u>	<u>DESCRIPTION</u>	<u>QTY</u>	<u>ITEM</u>	<u>PART NO.</u>	<u>DESCRIPTION</u>	<u>QTY</u>
1	1771840	Condenser, SLR Radius T/K	1				
2	1771839	Evaporator, SLR65 Radius T/K	1				
3	1771841	Cover, Interior SLR STD T/K	1				
NS	1771842	Kit, Drain Hose T/K	1				
NS	1771843	Kit, Refrigerant Hose T/K	1				
NS	1771844	Kit, Control T/K	1				
NS	1771845	Kit, Fitting 90 Deg T/K	1				



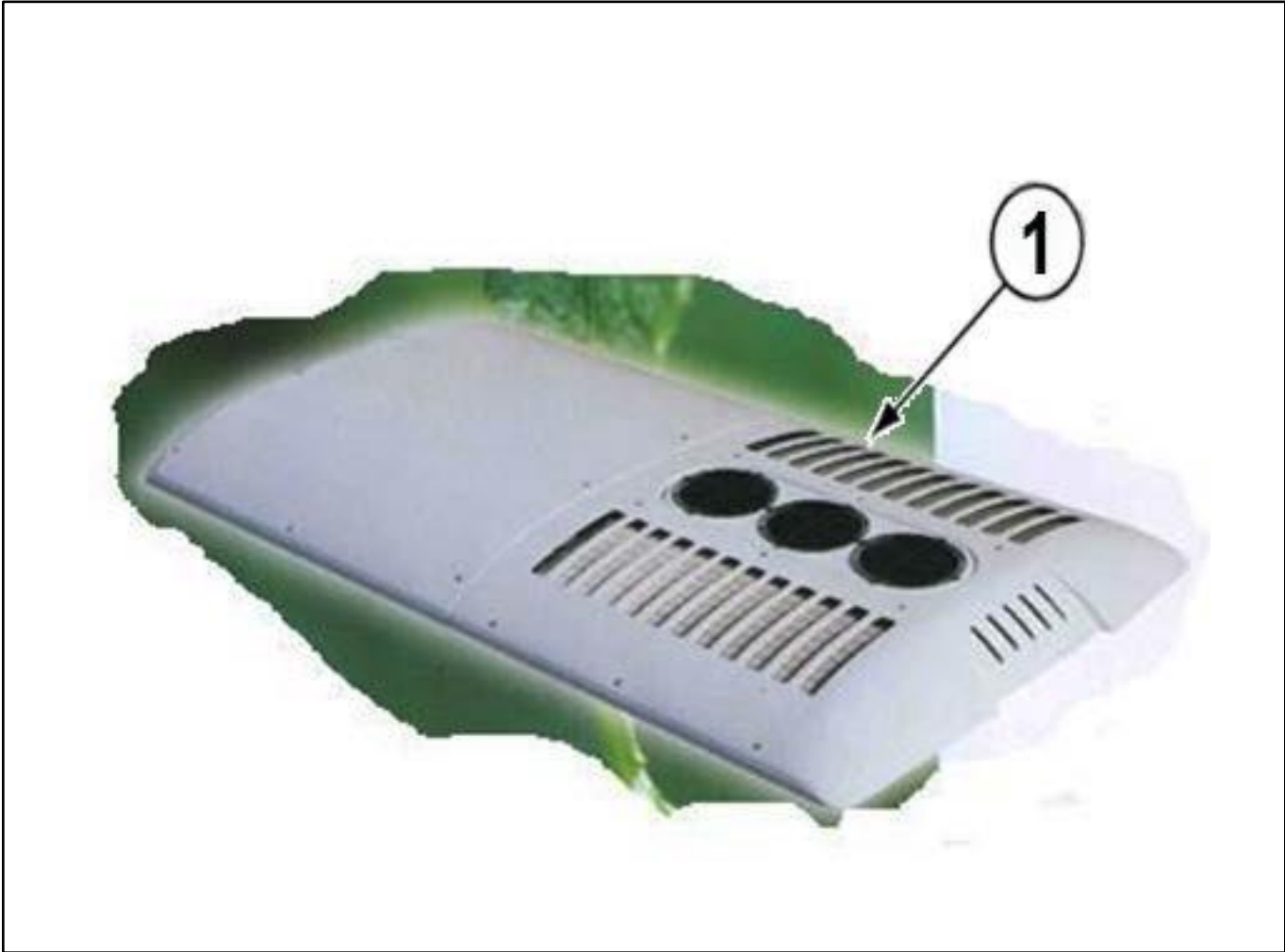
**tm21 compressor t/k
0420070**

<i>ITEM</i>	<i>PART NO.</i>	<i>DESCRIPTION</i>	<i>QTY</i>	<i>ITEM</i>	<i>PART NO.</i>	<i>DESCRIPTION</i>	<i>QTY</i>
01	1771847	Compressor, TM-21 T/K	2				
NS	1771780	Mount, Comp F550 '10 EPA	2				
NS	1771846	Compressor, Manifold Swivel T/K	2				
NS	1771845	Kit, Fitting 90° T/K	2				
NS	1771844	Kit, Control T/K	2				
NS	1771843	Kit, Refrigerant Hose T/K	2				
NS	1771842	Kit, Drain Hose T/K	2				
NS	0413543	Install, Holder Fuse Mega	1				
NS	3975385	Sensor, TPS (Ford 6.8L W/Add Compr	1				



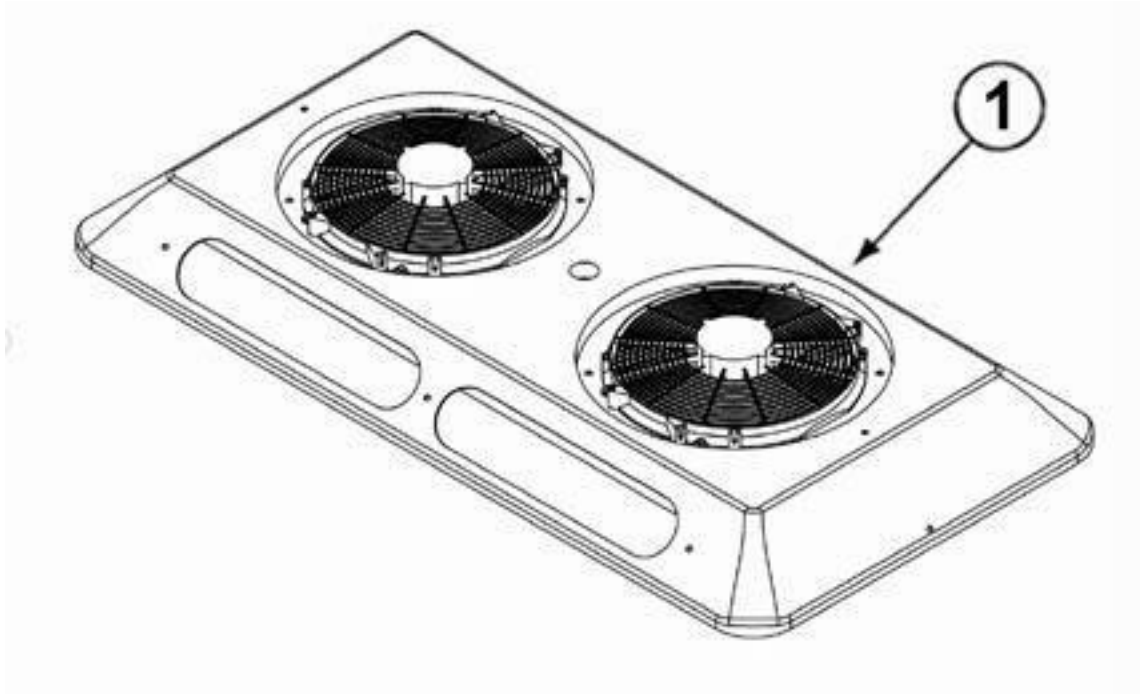
130k btu tc55 rooftop a/c with heat
0422348 - 1771963 / 1772112

<u>ITEM</u>	<u>PART NO.</u>	<u>DESCRIPTION</u>	<u>QTY</u>	<u>ITEM</u>	<u>PART NO.</u>	<u>DESCRIPTION</u>	<u>QTY</u>
	0422348	Install, A/C 75K BTU ACC TC-55 Maxf			2970457	Hose, Heater 5/8 I.D. Hi-Miler	50
01	1771963	Air Cond, TC55 Rooftop Heat & Cool	1		0171060	Hose, Transfer Discharge Sleeve BlueAR	
	1772112	Air Cond, TC55 Rooftop Cool Only	1		0342782	Bracket, A/C 103-117	2
	1771410	Kit, Installation ACC Evaporator	2		0421658 Heat Circulation Pump (Freight/INT/C)		
	1771724	Compressor, TM16 120mm PV8 DM	2	NS	2370046	Pump, Circulator 12V 5/8" Hose	1
	1771780	Mount, Comp. F550 '10 EPA 2-TM16/21	1		0380012	Bracket, Mnt Circ. Pump Horiz 10.2	1
	1771899	Kit, Install HT Stand Alone W/Htr Va	1		1770884	Elbow, Rubber 60° x 5/8 Hose	2
	1771685	Harness, Condenser	1		2970724	Fitting, Splice 5/8 Heater Hose	2
	1771828	Insulation, Sleeve Foil 250' Roll	AR		2943157	Elbow, Heater Hose 5/8	2
	1771447	Kit, AccumulatorACC	1		2971066	Clamp, Heater Hose Spring 5/8"	2
	3975385	Sensor, TPS (Ford 6.8L W/Add On Com1	1		3974991	Harness, Heat Pump	1
	0379741	Bracket, ACC Accumulator	1		0420885 Install, Plumbing Rooftop Air Cond.		
	1771725	Switch, Pressure 41-010 SWH	1	NS	2971305	Fitting, CPVC 3/4" 90° x 1/2"	4
	1771726	Switch, Pressure Lo Pr, M12, No38CI/7	1	NS	2971192	Pipe, CPVC 3/4" x 120" CTS	5
	1771899	Kit, Install HT Stand Alone	1	NS	2971197	Fitting, Tee 3/4 x 3/4 x 1/2 CPVC	4
	1771483	Kit, Wiring W/Switch & T-Stat Acc 302	1				
	1771885	Breaker, Circuit 60 Amp Manual Reset	2				



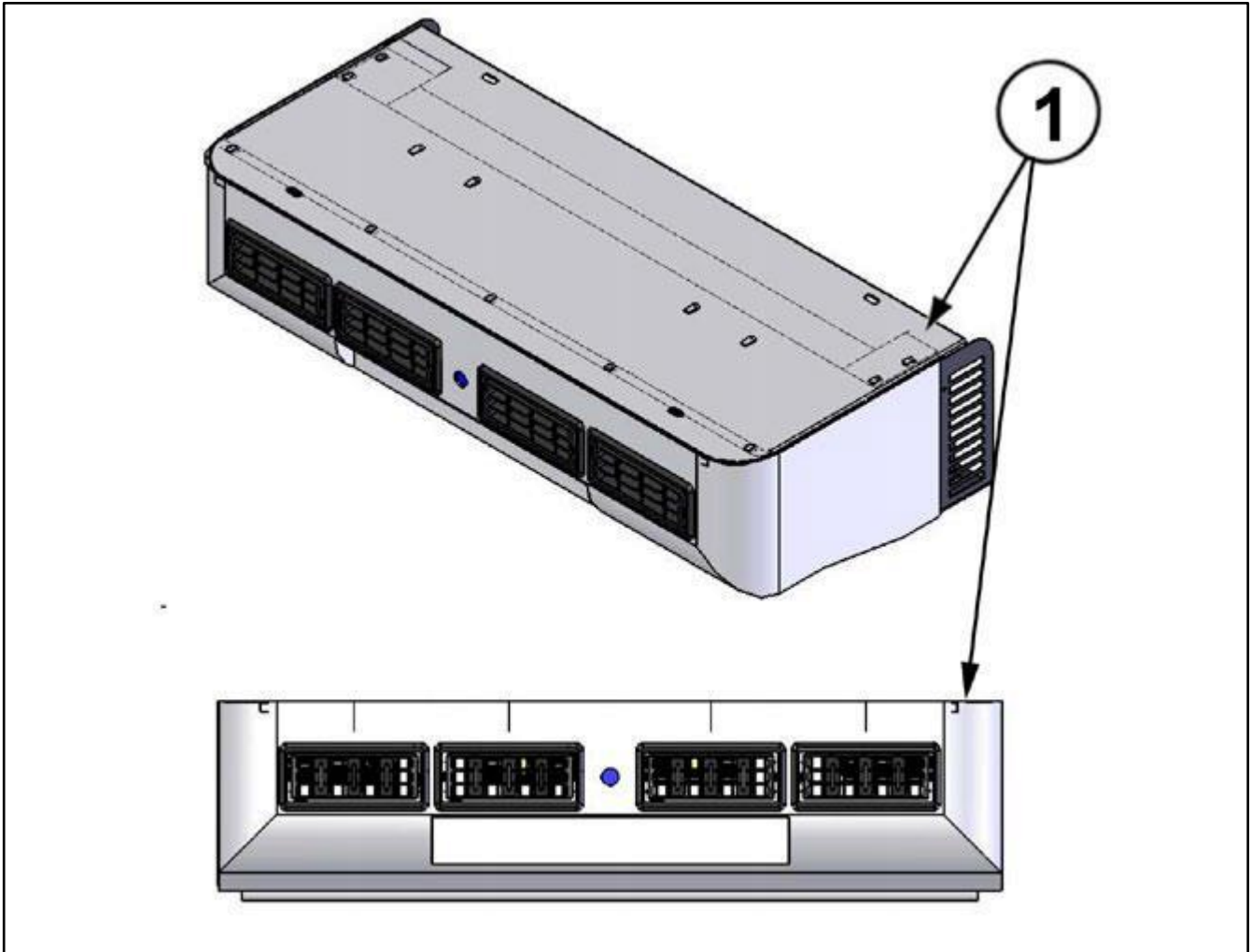
**ACC ROOFTOP 70K BTU A/C RT TC-70 F550
0422692**

<i>ITEM</i>	<i>PART NO.</i>	<i>DESCRIPTION</i>	<i>QTY</i>	<i>ITEM</i>	<i>PART NO.</i>	<i>DESCRIPTION</i>	<i>QTY</i>
		0422692 Install, A/C 70K BTU RT TC70 Rooftop					
01	1771929	Air, TC-70 Rooftop ACC	1	1771725	Switch, Pressure 41-010 SWH		1
	1771616	Compressor, ACC TM21 Pad Poly	1	1771726	Switch, Pressure Low Pressure , M12		1
	1771877	Mount, 2011 F550 Dual OEM Alts	1	2971114	Hose, 10mm #8 AOC Atco 500'		80
	1771410	Kit, Installation ACC Evaporator	1	2971115	Hose, 13mm #10 ACC 300' Reel		40
	1771721	Kit, Front Evap Switch Assy 3-Speed	1	2971116	Hose, 16mm #12 AOC 259'		80
	1771447	Kit, Accumulator ACC	1	1771895	Cable, Red Power - Non Apad		60
	1771483	Kit, Wiring W/Switch &T-Stat ACC	1				
	0379741	Bracket, ACC Accumulator	1	0420885 Install, Plumbing Rooftop Air Conduit			
	0342782	Bracket, A/C 303-117	2	2971305	Fitting, CPVC 3/4" 90 Deg x 1/2"		4
	1771685	Harness, Condenser	73	2971192	Pipe, CPVC 3/4" x 120"		5
	3975360	Harness, 35' Champion CTRL IN	1	2971197	Fitting, Tee 3/4" x 3/4" x 1/2 CPVC		4
	3975359	Harness, Champion Relay In W/Pak	1	2971198	Pipe, CPVC 1/2" x 120"		AR
	1771828	Insulation, Sleeve Foil 250' Roll	AR				
	1771885	Breaker, Circuit 60 AMP Manual Reset	2				



**acc rooftop condenser
1771956**

<u>ITEM</u>	<u>PART NO.</u>	<u>DESCRIPTION</u>	<u>QTY</u>	<u>ITEM</u>	<u>PART NO.</u>	<u>DESCRIPTION</u>	<u>QTY</u>
01	1771956	Condenser, Rooftop LP W/2 Brackets	1				
NS	1771677	Kit, Install Triple Blower	1				
NS	1771685	Harness, Condenser	70				
NS	0420885	Install, Plumbing Rooftop A/C	1				
NS	3975385	Sensor, TPS (Ford 6.8L W/Compressor	1				



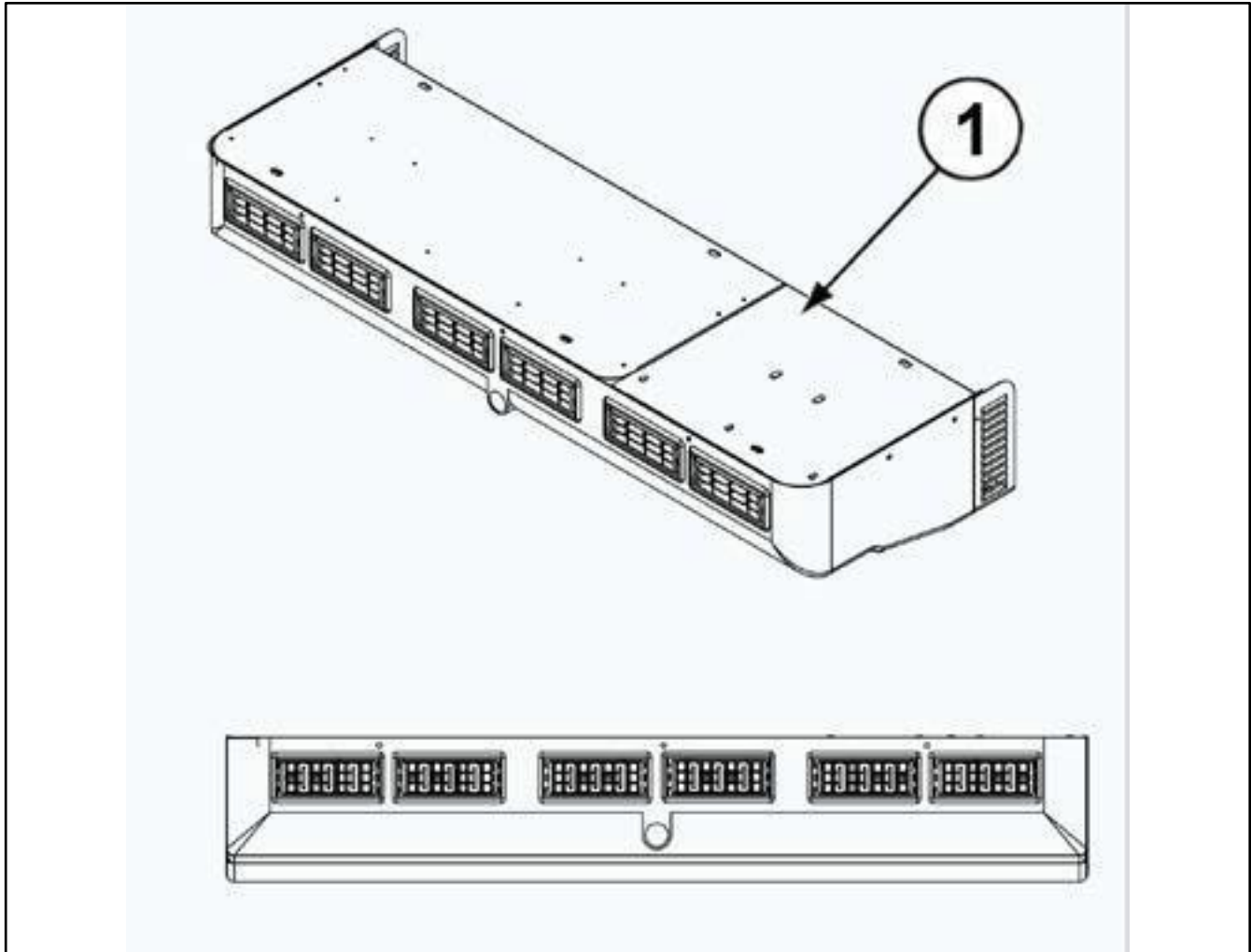
front acc evaporator
0420378 / 1771716

<i>ITEM PART NO. DESCRIPTION</i>	<i>QTY</i>	<i>ITEM PART NO. DESCRIPTION</i>	<i>QTY</i>
01 1771716 Evaporator, Front FR53 W/Kit	1		
NS 1771410 Kit, Installation ACC Evaporator	1		
1269 Breaker, Circuit 60 AMP	1		



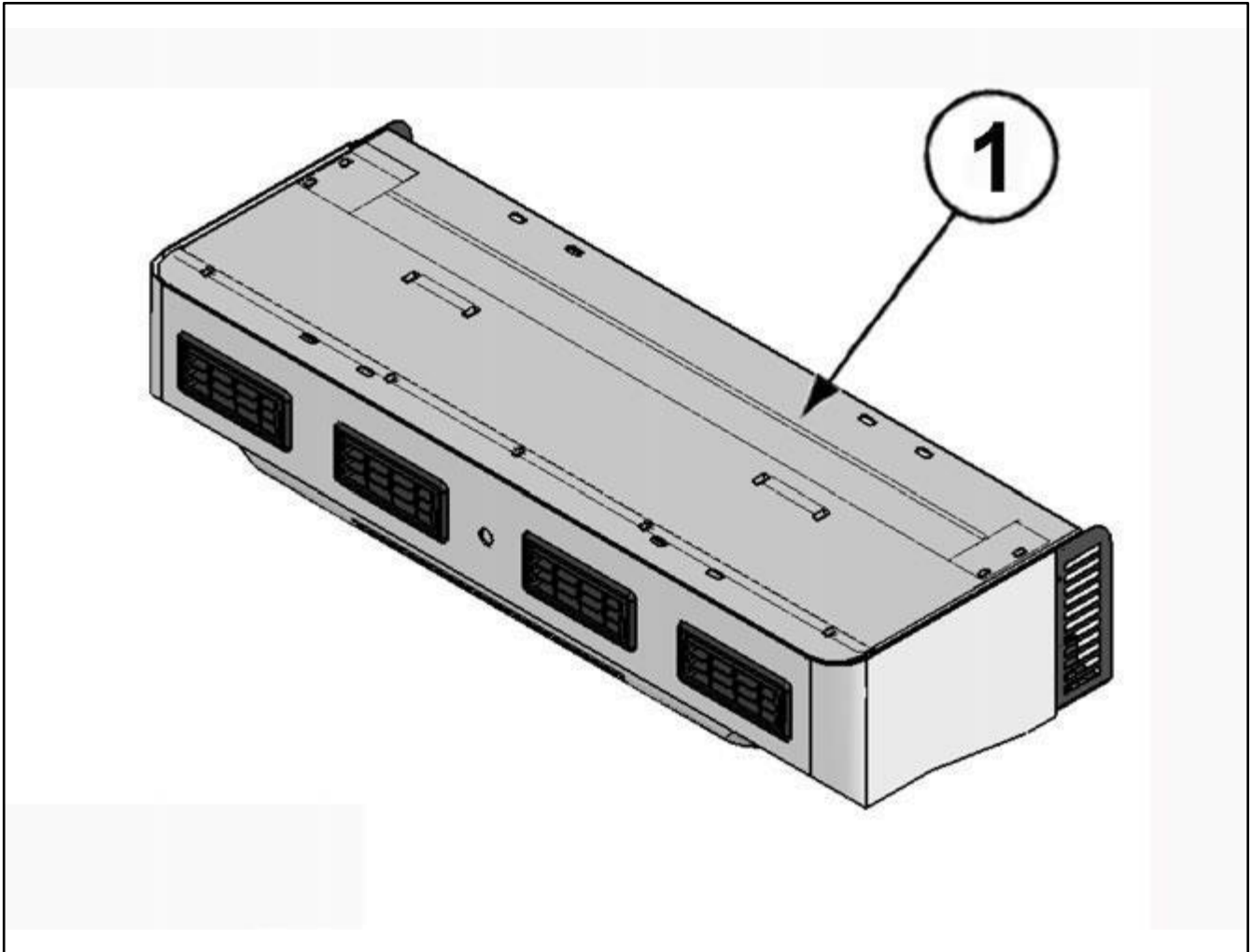
evaporator - fr86 w/cover
1771738

<i>ITEM</i>	<i>PART NO.</i>	<i>DESCRIPTION</i>	<i>QTY</i>	<i>ITEM</i>	<i>PART NO.</i>	<i>DESCRIPTION</i>	<i>QTY</i>
01	1771738	Evaporator, FR86 W/Cover	1				
NS	1771722	Kit, Rear Evap. 3 Speed T-Stat	1				
NS	1771677	Kit, Install Triple Blower	1				



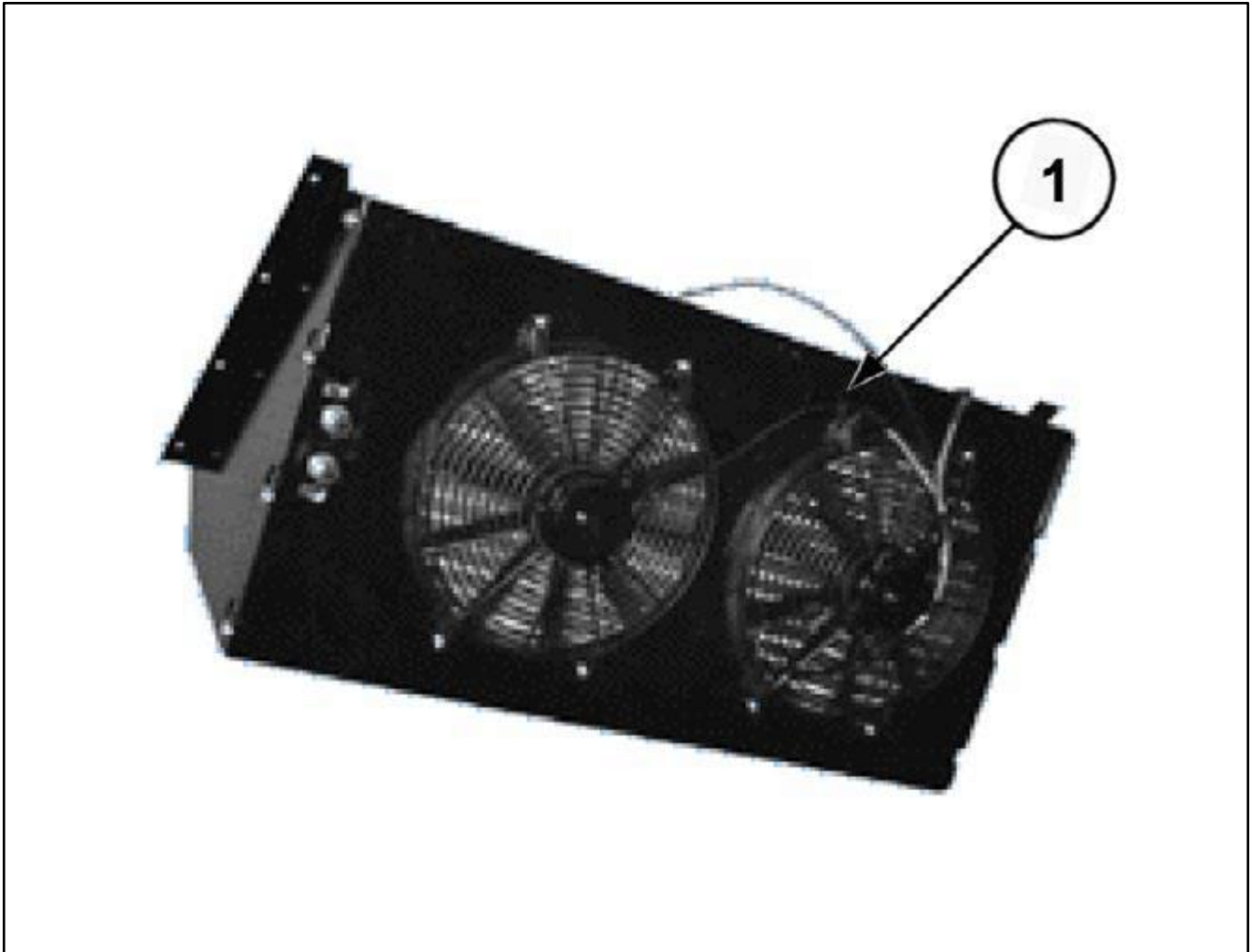
**Evaporator, triple Blow Fr96 gray
1771699**

<i>ITEM PART NO. DESCRIPTION</i>	<i>QTY</i>	<i>ITEM PART NO. DESCRIPTION</i>	<i>QTY</i>
01 1771699 Evaporator, Triple Blow CML FR96 GR	1		
NS 1771410 Kit, Installation ACC Evaporator	1		
NS 1771169F Kit, Installation ACC 55K BTU System	1		
NS 1771668 Kit, Digital Control ACC	1		
NS 1771669 Kit, Dual Relay Board ACC	1		
NS 1771670 Kit, Single Relay Board ACC	1		



evaporator, fr67 w/kit
0419247 / 1771741

<i>ITEM PART NO. DESCRIPTION</i>	<i>QTY</i>	<i>ITEM PART NO. DESCRIPTION</i>	<i>QTY</i>
01 1771741 Evaporator, FR67 W/Kit	1		
NS 1771410 Kit, Installation ACC Evaporator	1		
NS 1771269 Breaker, Circuit 60 AMP	1		



condenser, skirt mounted 78k
0420378 / 1771676

<i>ITEM</i>	<i>PART NO.</i>	<i>DESCRIPTION</i>	<i>QTY</i>	<i>ITEM</i>	<i>PART NO.</i>	<i>DESCRIPTION</i>	<i>QTY</i>
01	1771676	Condenser, 78K Skirt Mount	1				
NS	171483	Kit, Wiring W/Switch & T-Stat ACC	1				



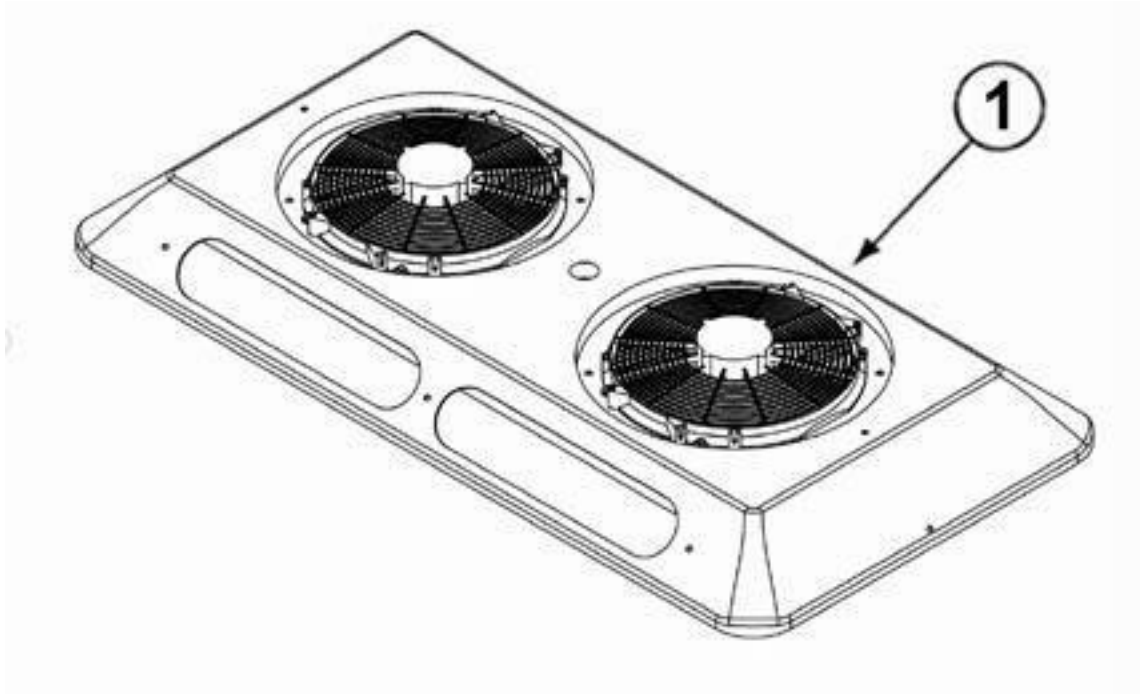
condenser - 3-row bkts & grill
0420254 / 1771739

<i>ITEM PART NO. DESCRIPTION</i>	<i>QTY</i>	<i>ITEM PART NO. DESCRIPTION</i>	<i>QTY</i>
01 1771739 Condenser, 3-Row Bkts. & Grill	1		
NS 1771677 Kit, Install Triple Blower	1		
NS 3975385 Sensor, TPS (Ford 6.8L W/Add-on Cm	1		
NS 1771685 Harness, Condenser			



acc condenser
1771560

<i>ITEM PART NO. DESCRIPTION</i>	<i>QTY</i>	<i>ITEM PART NO. DESCRIPTION</i>	<i>QTY</i>
01 1771560 Condenser, ACC	1		



**acc rooftop condenser
1771956**

<u>ITEM</u>	<u>PART NO.</u>	<u>DESCRIPTION</u>	<u>QTY</u>	<u>ITEM</u>	<u>PART NO.</u>	<u>DESCRIPTION</u>	<u>QTY</u>
01	1771956	Condenser, Rooftop LP W/2 Brackets	1				
NS	1771677	Kit, Install Triple Blower	1				
NS	1771685	Harness, Condenser	70				
NS	0420885	Install, Plumbing Rooftop A/C	1				
NS	3975385	Sensor, TPS (Ford 6.8L W/Compressor	1				



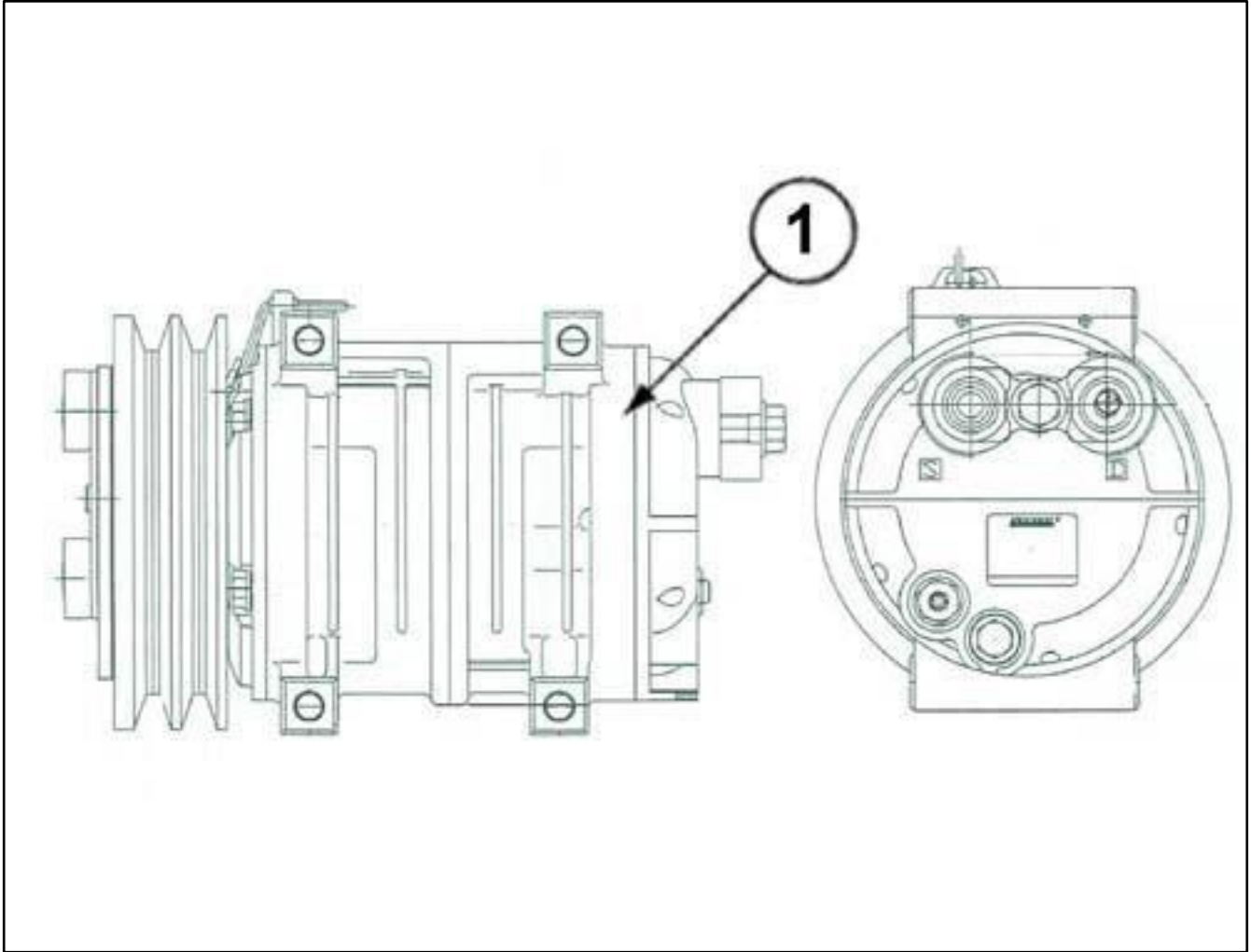
**compressor, tm-16 (pv8) no port
0420375 / 1771724**

<i>ITEM</i>	<i>PART NO.</i>	<i>DESCRIPTION</i>	<i>QTY</i>	<i>ITEM</i>	<i>PART NO.</i>	<i>DESCRIPTION</i>	<i>QTY</i>
01	1771724	Compressor, TM16 120mm PV8 DM	2				
NS	1771472	Mount, Comp MXF-7 2007EPA (2)	2				



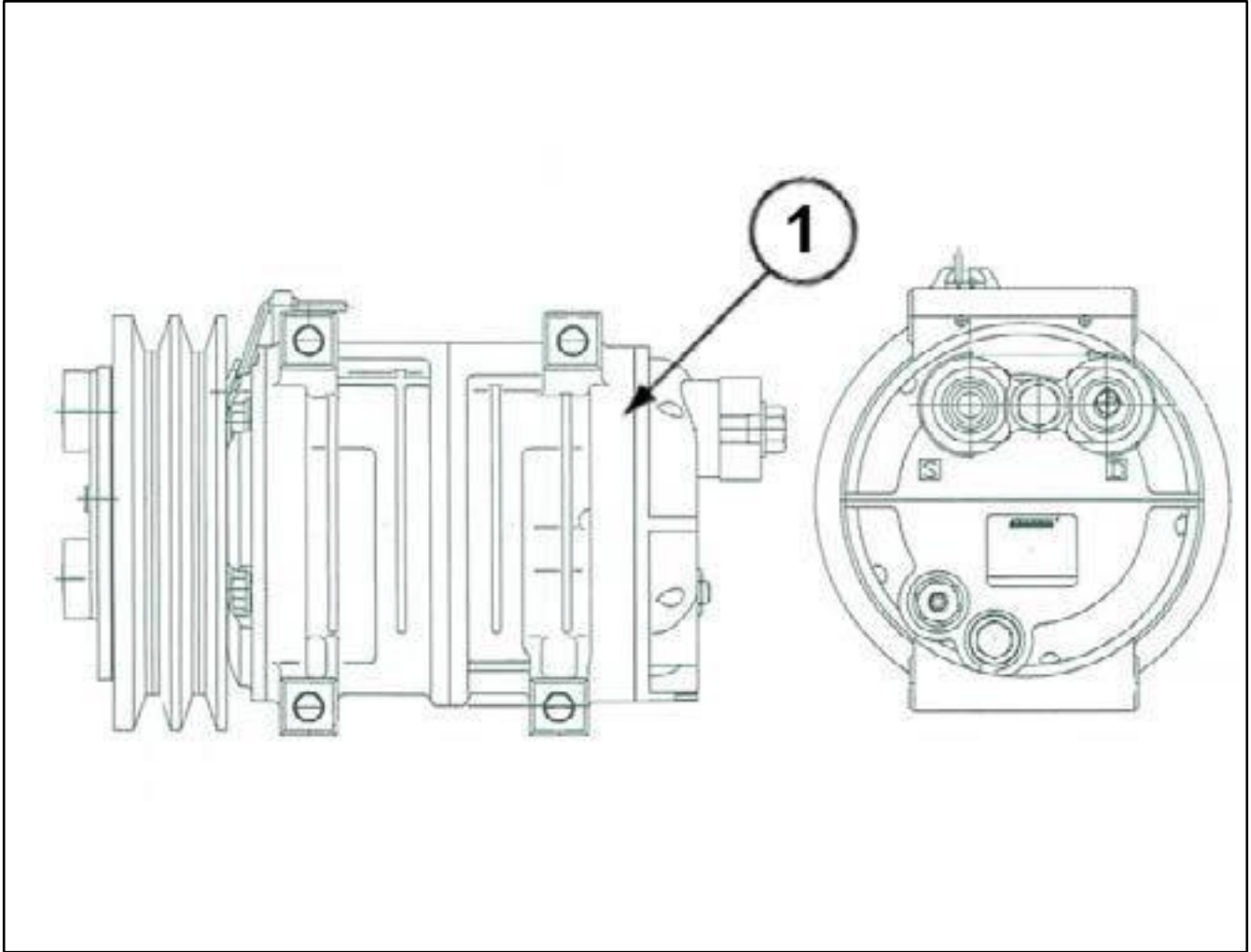
**compressor, tm-16 (pv8) no port
0420378 / 1771724**

<i>ITEM</i>	<i>PART NO.</i>	<i>DESCRIPTION</i>	<i>QTY</i>	<i>ITEM</i>	<i>PART NO.</i>	<i>DESCRIPTION</i>	<i>QTY</i>
01	1771724	Compressor, TM16 120mm PV8 DM	1				
NS	1771753	Mount, Comp. 'F550 GM 6.8L	1				



compressor - tm21 (6.6L gm610 acc)
0420569 / 1771616

<i>ITEM</i>	<i>PART NO.</i>	<i>DESCRIPTION</i>	<i>QTY</i>	<i>ITEM</i>	<i>PART NO.</i>	<i>DESCRIPTION</i>	<i>QTY</i>
01	1771616	Compressor, ACC TM21 PAD Poly	2				
NS	1771922	Mount, ACC FDOT '11 F550 6.7L Dual	1				



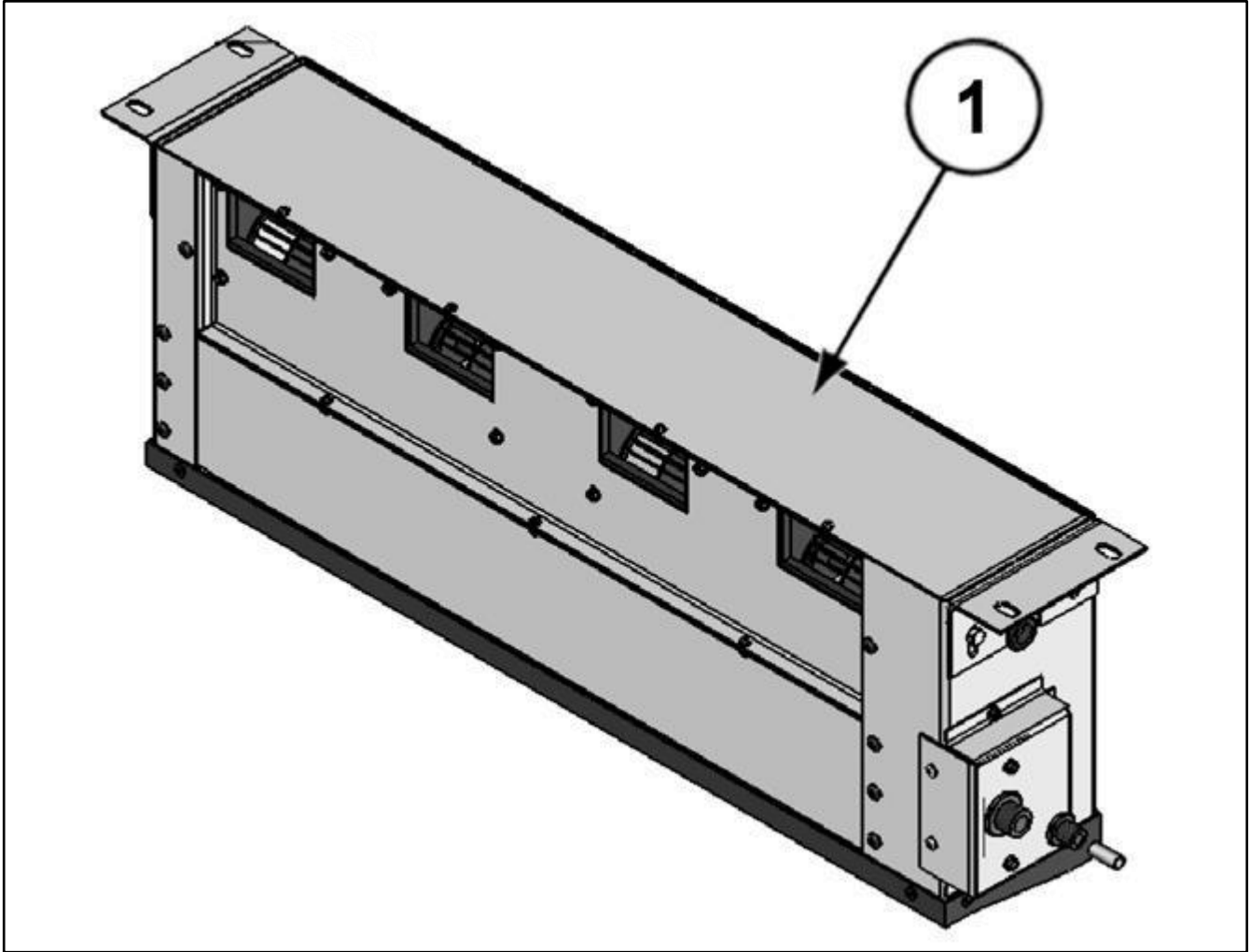
compressor - tm21 (ford f550 - acc)
1771616 / 1771877

<i>ITEM PART NO. DESCRIPTION</i>	<i>QTY</i>	<i>ITEM PART NO. DESCRIPTION</i>	<i>QTY</i>
01 1771616 Compressor, ACC TM21 PAD Poly	1		
NS 1771877 Mount, 2011 F550 Dual OEM ALTS	1		



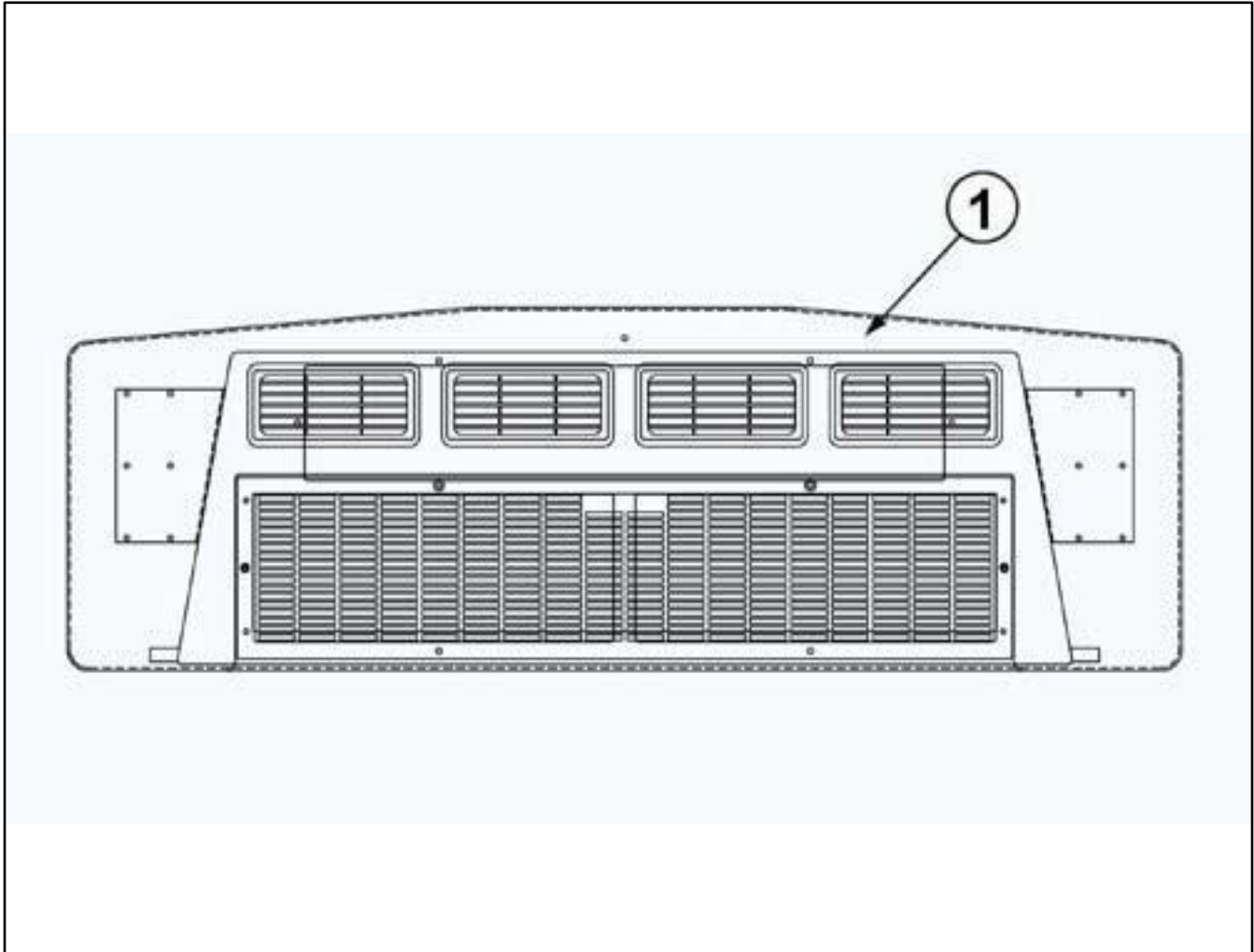
**compressor, tm-16 (pv8) no port
0420446 / 1771724**

<i>ITEM</i>	<i>PART NO.</i>	<i>DESCRIPTION</i>	<i>QTY</i>	<i>ITEM</i>	<i>PART NO.</i>	<i>DESCRIPTION</i>	<i>QTY</i>
01	1771724	Compressor, TM16 120mm PV8 DM	2				
NS	1771780	Mount, Comp F550 EPA	1				



front in-wall acc evaporator
0419190 / 1771689

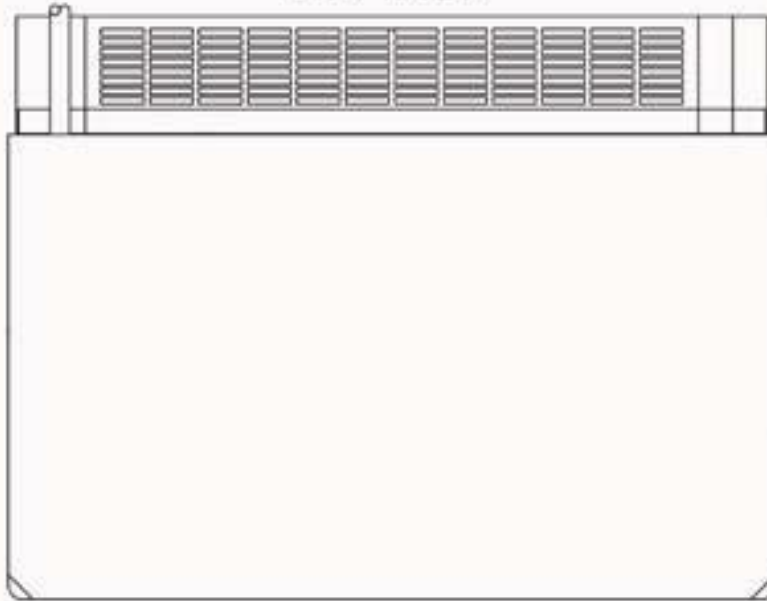
<i>ITEM</i>	<i>PART NO.</i>	<i>DESCRIPTION</i>	<i>QTY</i>	<i>ITEM</i>	<i>PART NO.</i>	<i>DESCRIPTION</i>	<i>QTY</i>
01	1771689	Evaporator, In-Wall DBL Front Thumb	1				
NS	1771410	Kit, Installation ACC Evaporator					
	1						
NS	1771721	Kit, Front Evap. Switch Assy 3 Spd	1				



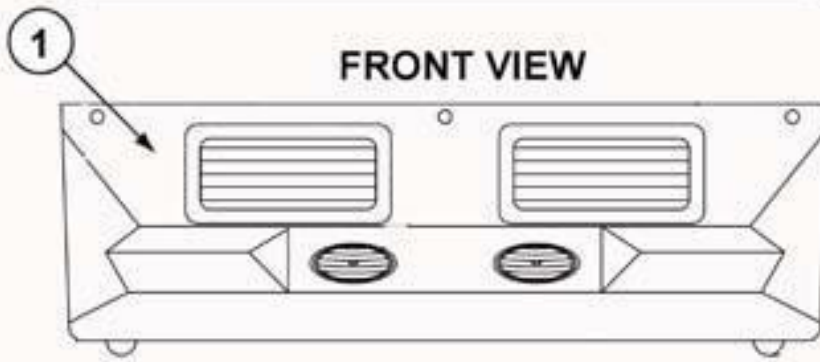
act evaporator ez-2-91 w/heat
0420253 / 1771869

<u>ITEM</u>	<u>PART NO.</u>	<u>DESCRIPTION</u>	<u>QTY</u>	<u>ITEM</u>	<u>PART NO.</u>	<u>DESCRIPTION</u>	<u>QTY</u>
01	1771869	Evaporator, EZ-2-91 Rear With Heat	1				

TOP VIEW



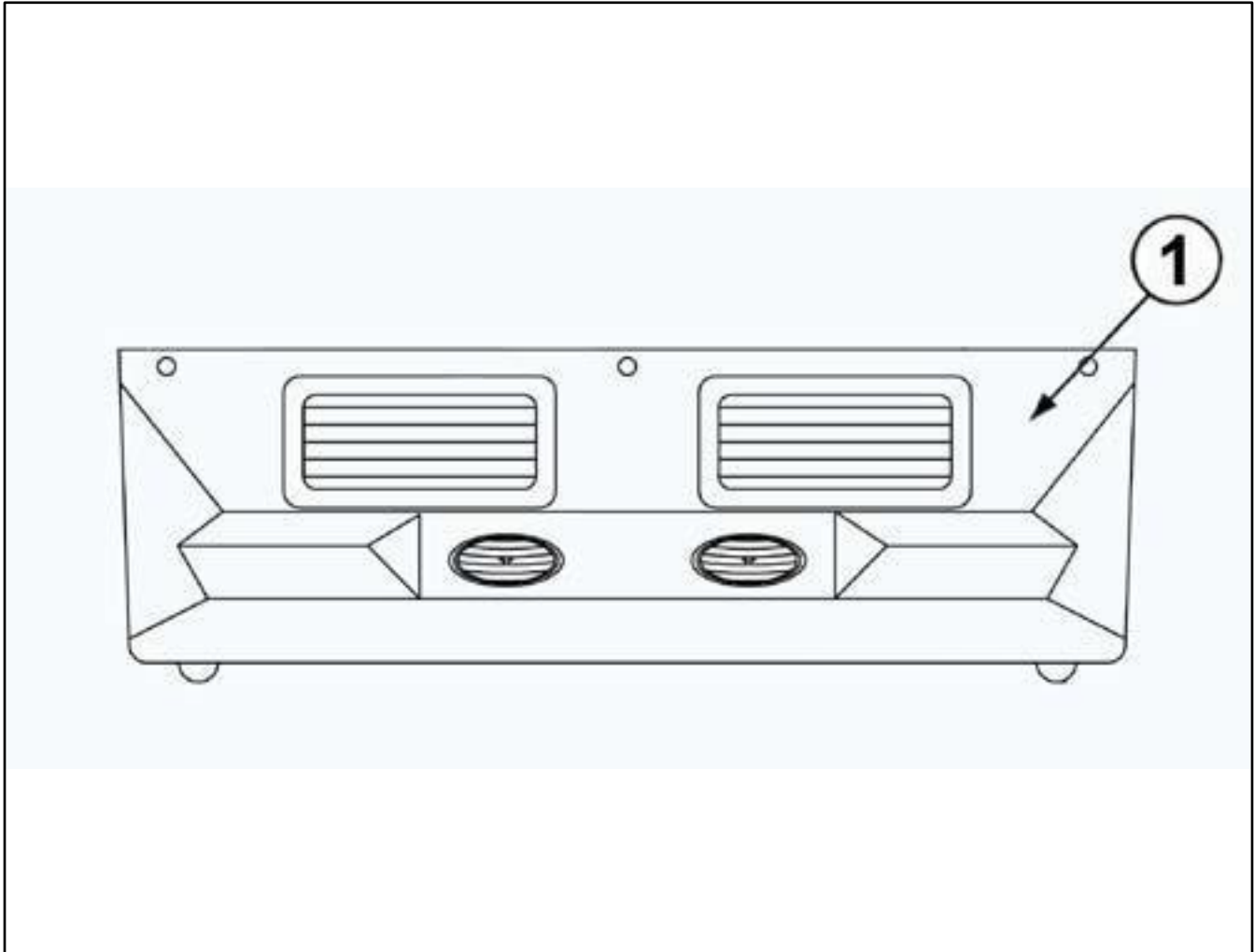
FRONT VIEW



EVAPORATOR - EZ-3 SIDE MOUNT

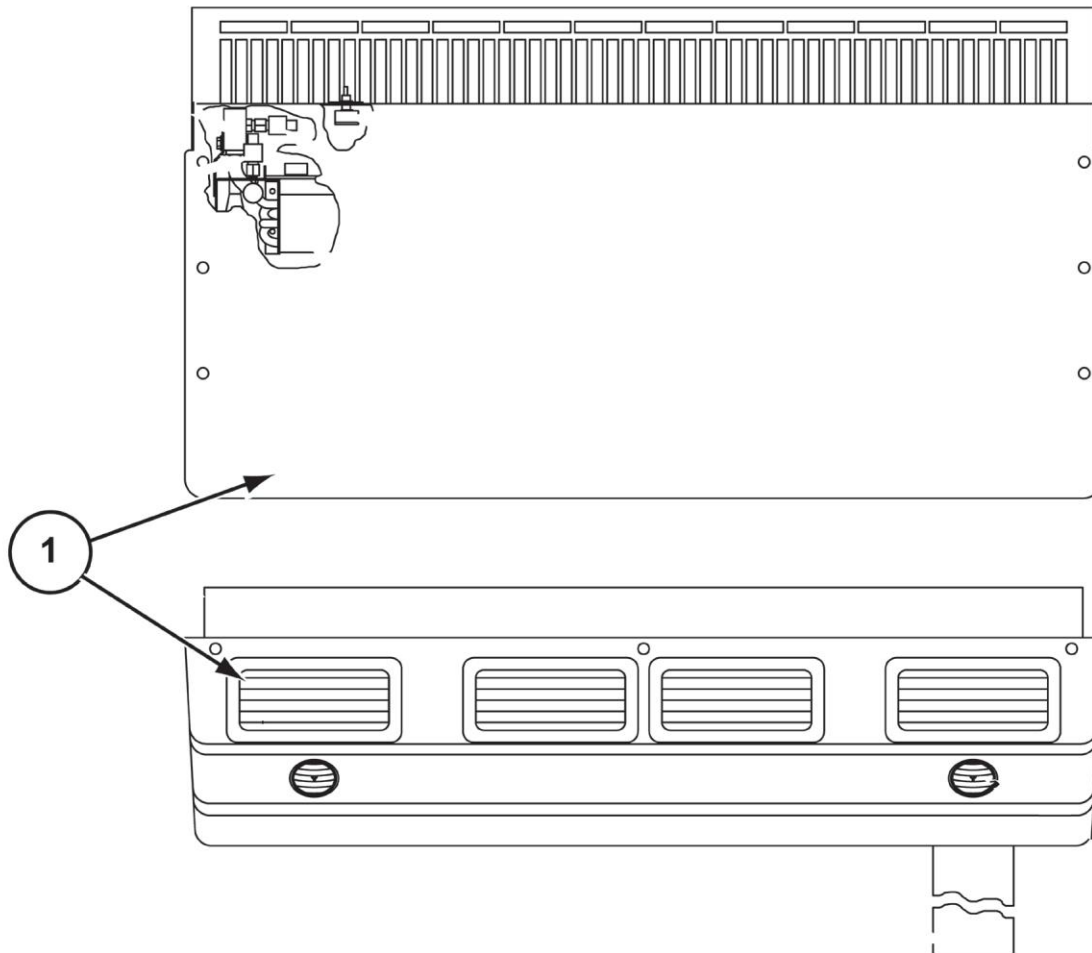
0420103 / 1771305

<i>ITEMPART NO.</i>	<i>DESCRIPTION</i>	<i>ITEMPART NO.</i>	<i>DESCRIPTION</i>
01	1771305 Evaporator, EZ-3 Side Mount ACT	1	
NS	1771553 Kit, Installation ACT 110K BTU	1	
NS	1770947 Hose, #12 Refrig. EZ-Clip	30	
NS	1771557 Hose, #16 Refrig. Ez-Clip	30	



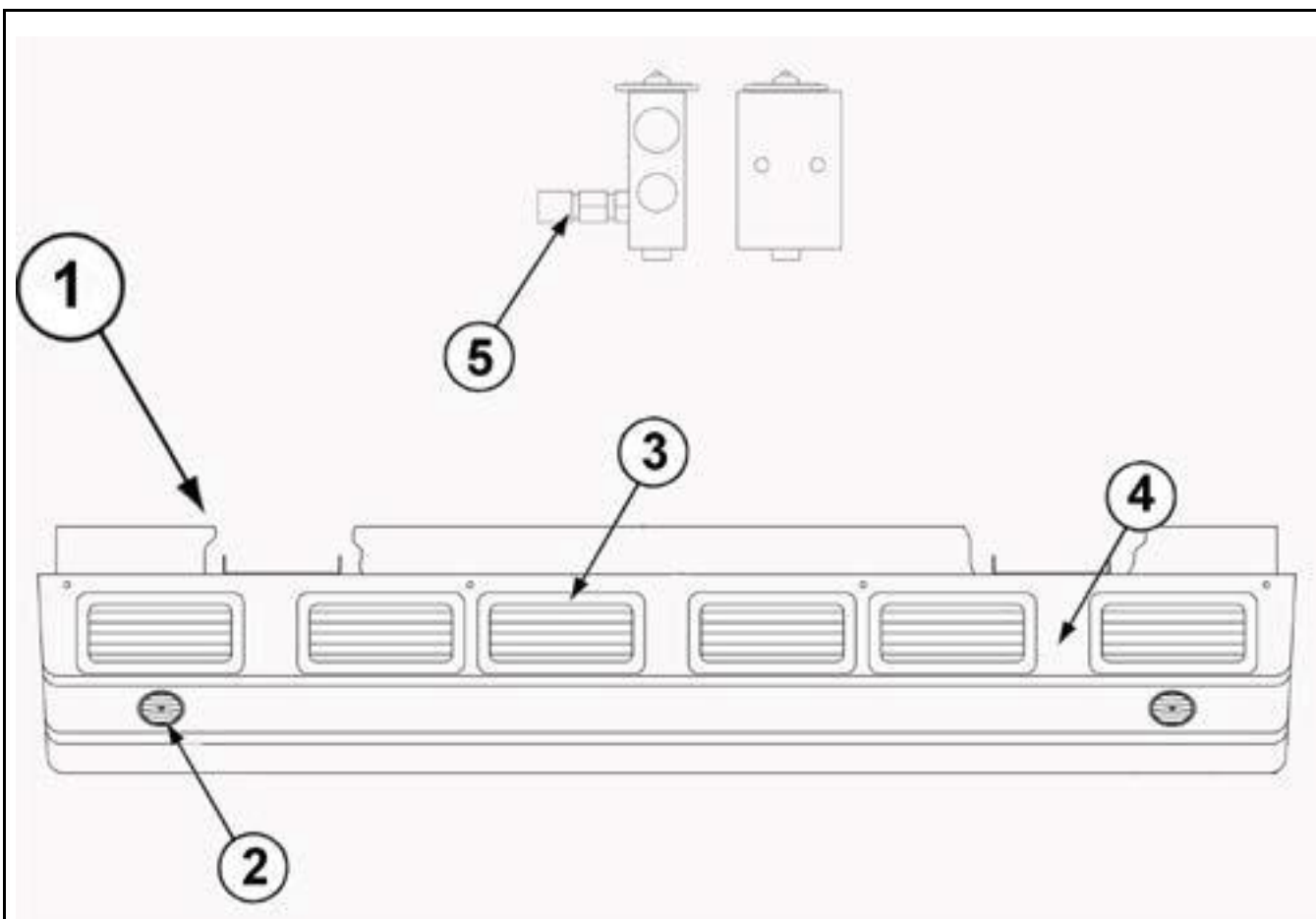
act evaporator ez-3 w/heat
0420334 / 1771870

<u>ITEM</u>	<u>PART NO.</u>	<u>DESCRIPTION</u>	<u>QTY</u>	<u>ITEM</u>	<u>PART NO.</u>	<u>DESCRIPTION</u>	<u>QTY</u>
01	1771870	Evaporator, EZ-3 Side Mount W/Heat	1				
NS	1771553	Kit, Installation ACT 110K BTU	1				
NS	1771545	Kit, A/C 52K ACT W/O Board	1				
NS	0413543	Install, Holder Fuse Mega	1				



EVAPORATOR EZ-5 ACT SYSTEM 1770965

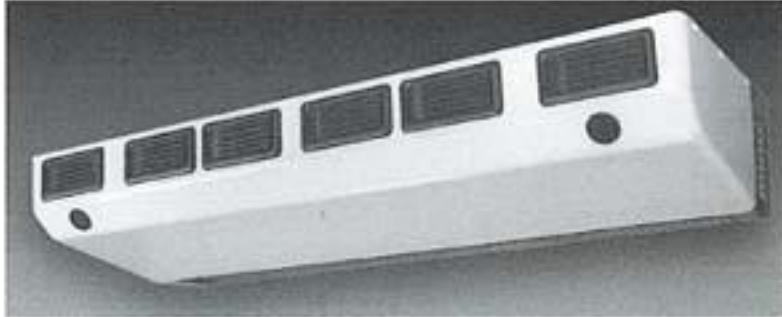
<i>ITEM PART NO. DESCRIPTION</i>	<i>QTY</i>	<i>ITEM PART NO. DESCRIPTION</i>	<i>QTY</i>
01 1770965 Evaporator, EZ-5 ACT	1		
NS 0374655 Bracket, Air Conditioner Mount	2		
0402959 Install, PAD Evaporator EM-1-2			
NS 0970014 Lauan, Raw 3.6 x 48 x 96	AR		
NS 7371128 Vinyl, Harbor Moonbeam	AR		
NS 8570697 Staple, CO3 GAAPM Silver	AR		
NS 8570948 Screw, 8 x 3/4 RND Phil Washer	3		



EVAPORATOR - ACT EZ-91 1771551

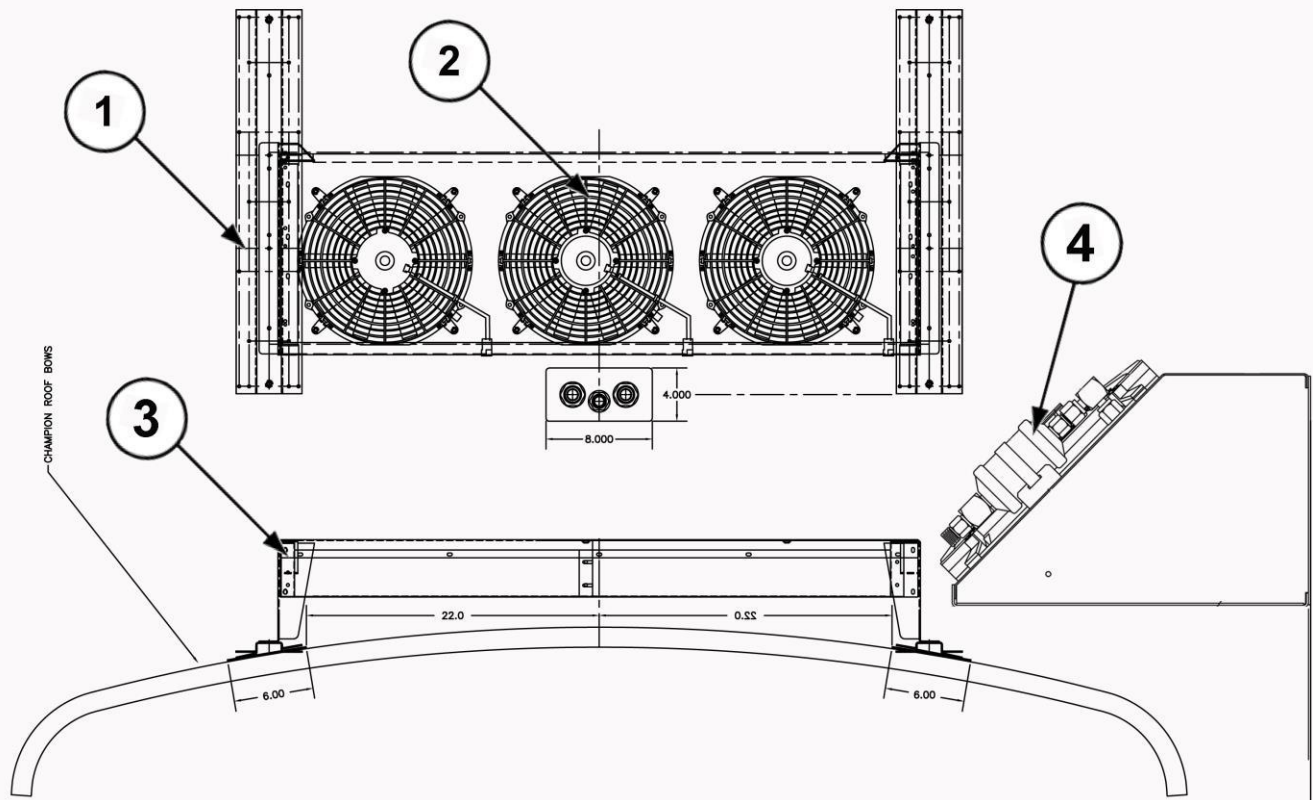
ITEM	PART NO.	DESCRIPTION	QTY	ITEM	PART NO.	DESCRIPTION	QTY
1	1771551	EVAPORATOR, EZ-91 ACT SL	1				
2	N/A*	LOUVER, 2" DIA W/ SPRING CLIP	2				
3	N/A*	AIR BEZEL OUTLET - FIXED	6				
	N/A*	AIR BEZEL OUTLET - ADJUSTABLE (NS)	6				
4	N/A*	COVER ASSEMBLY, WHITE EZ-9 EVAP	1				
5	N/A*	EXPANSION VALVE, BLOCK 5/8 SUCTION WITH H/S PRESSURE PORT, 134A	2				

**N/A - Part Number not available at this time.
Contact your Parts Representative for part numbers.*



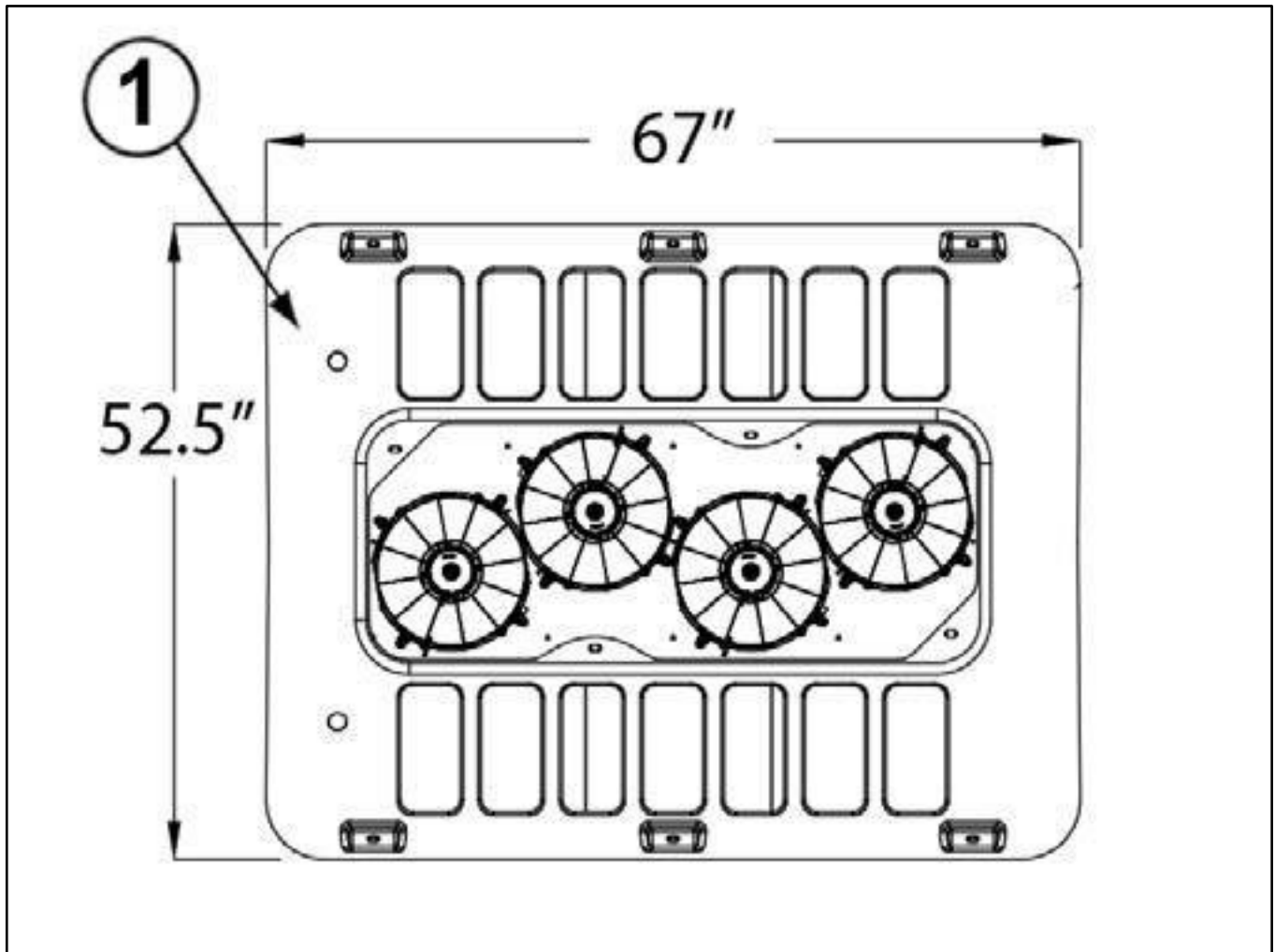
act rear mount evaporator ez-9
0420443 / 1771084

<i>ITEM</i>	<i>PART NO.</i>	<i>DESCRIPTION</i>	<i>QTY</i>	<i>ITEM</i>	<i>PART NO.</i>	<i>DESCRIPTION</i>	<i>QTY</i>
01	1771084	Evaporator, EZ-9 ACT Rear Mount	1				
NS	1771894	Kit, Install Less Fittings	1				



condenser, cr-3 act rooftop
0417472 / 0417474

<i>ITEMPART NO.</i>	<i>DESCRIPTION</i>	<i>ITEMPART NO.</i>	<i>DESCRIPTION</i>
1	1771552 CONDENSER, CR-3 ACT ROOFTOP	1	
2	1012460 PANCAKE FAN, CONDENSER	3	
3	1771556 KIT, CONDENSER ROOF RAIL CR-3	1	
4	1013723 FILTER DRIER, W/SIGHTGLASS COMBO	1	



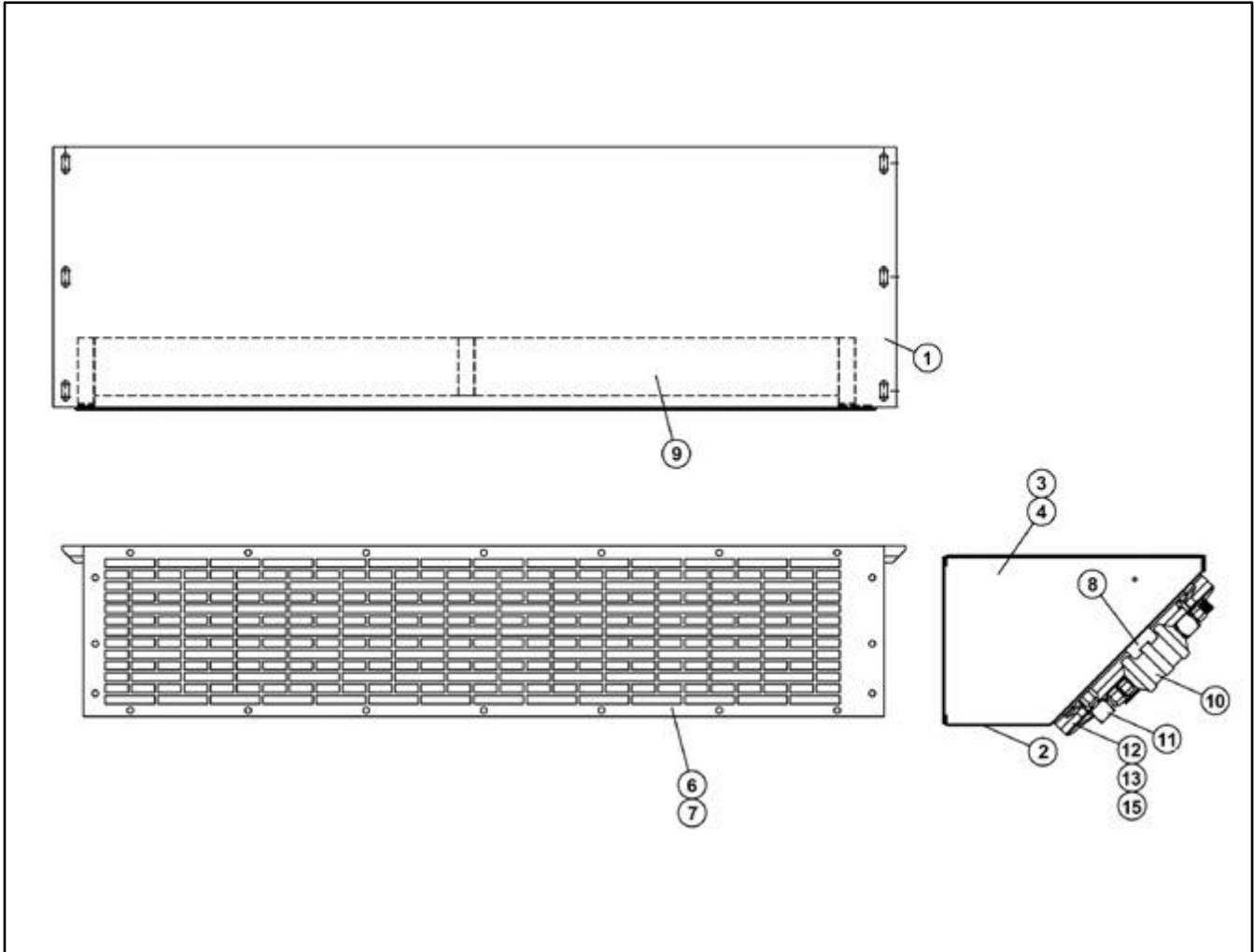
act rooftop cr-4 condenser
0420334 - 1771945

<u>ITEM</u>	<u>PART NO.</u>	<u>DESCRIPTION</u>	<u>QTY</u>	<u>ITEM</u>	<u>PART NO.</u>	<u>DESCRIPTION</u>	<u>QTY</u>
01	1771945	Condenser, CR4 Single Loop Rooftop	1				



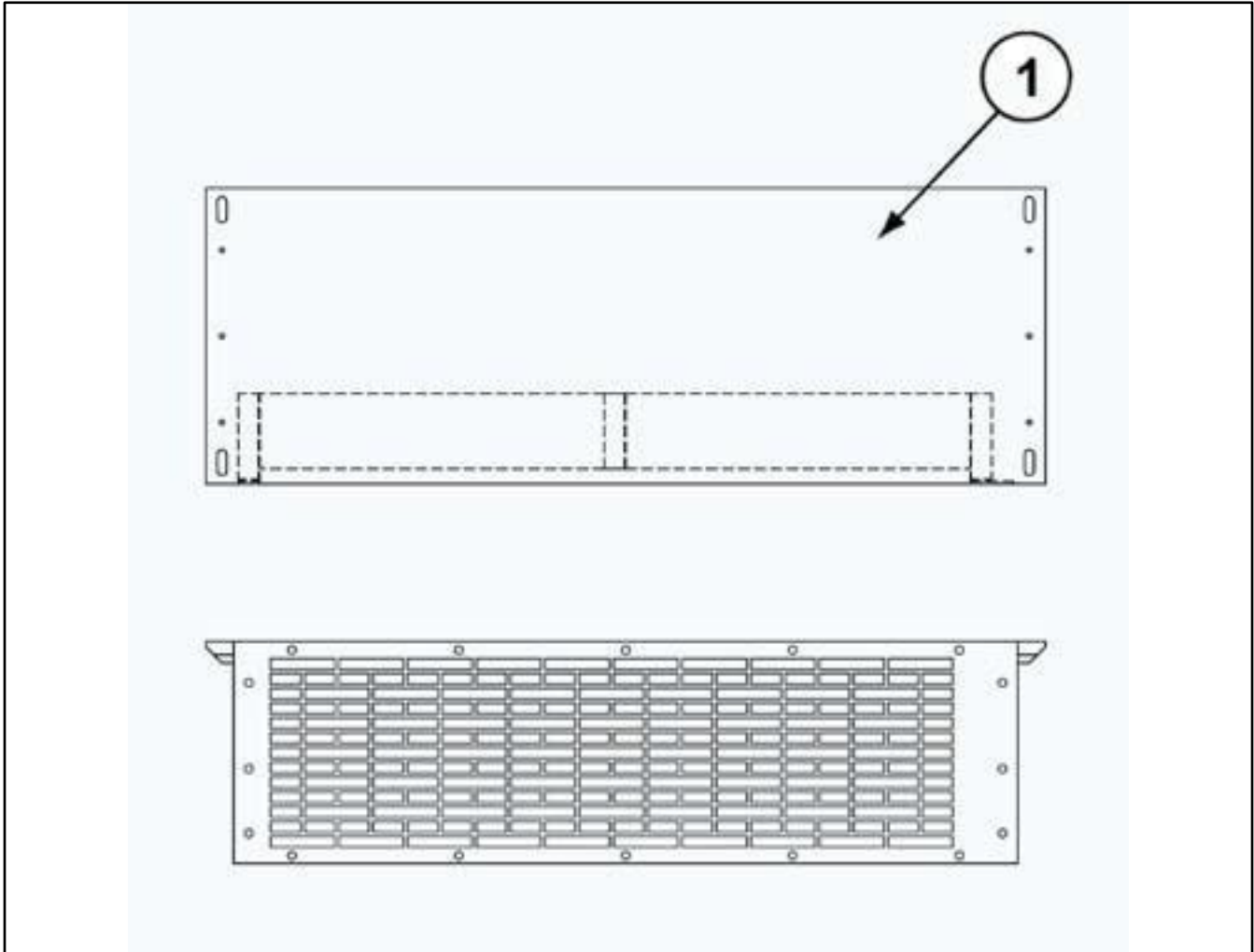
CONDENSER - CR-65 ROOF MOUNT
0420103 / 1771836

<i>ITEMPART NO.</i>	<i>DESCRIPTION</i>	<i>ITEMPART NO.</i>	<i>DESCRIPTION</i>
01	1771836 Condenser, CR-65 Roof Mount	1	
NS	1771837 Controller, Electronic ACT	1	
NS	1771838 Rail, Roof Assy CR-65 ACT	1	
NS	1771743 Mount, Kit 2010 Emiss M2 6.7 Sngl TM	1	



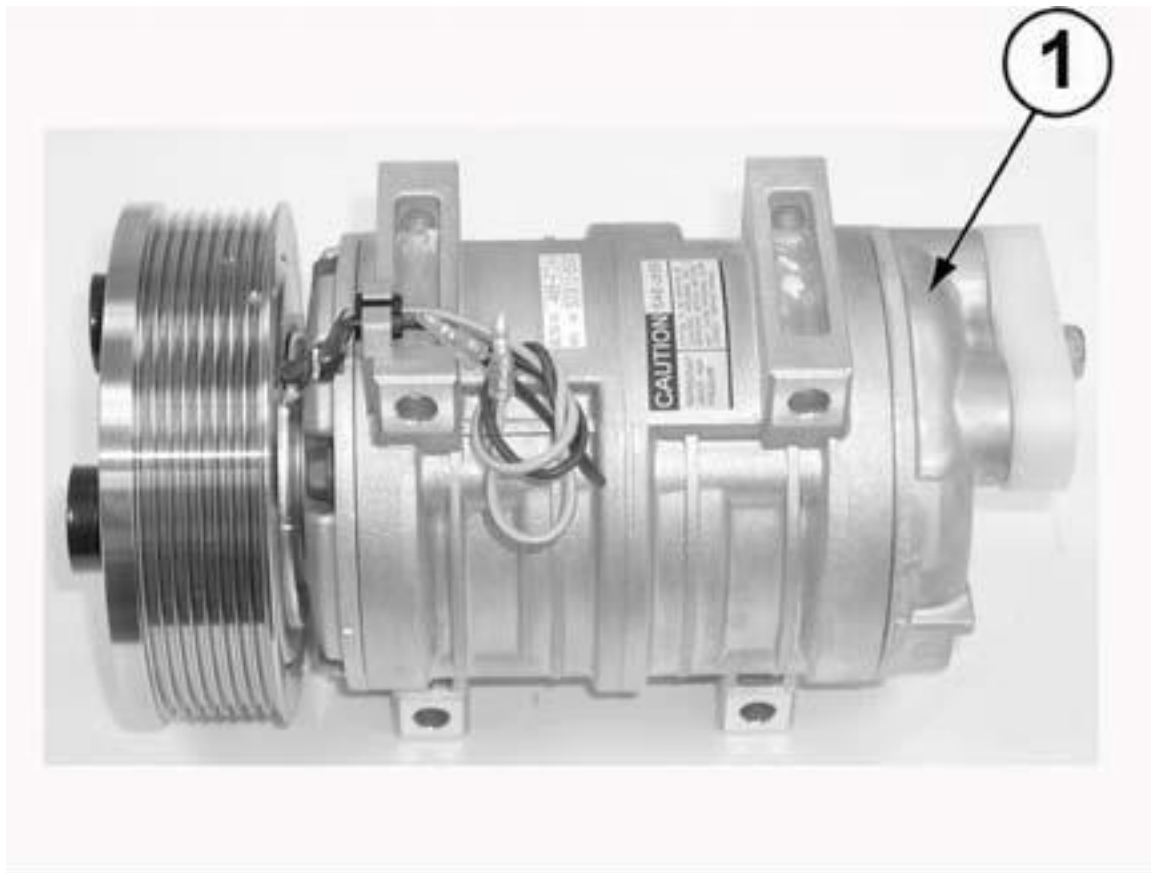
act condenser cs-3 1770966

ITEM	PART NO.	DESCRIPTION	QTY	ITEM	PART NO.	DESCRIPTION	QTY
1	1770966	Condenser, CS-3 ACT	1	13	NA	Fuse, Type MDL, 20 AMPS, 32 Volts	3
2	NA	Top Plate	1	14	NA	Wiring Harness, CS-3 Cond. (Not Shown)	1
3	NA	Fan Deck Plate	1	15	NA	Bushing, Strain Relief, 18-16 GA 2-3 Cond	3
4	NA	End Plate, Right Hand	1	NS	NA	Pressure Switch, High, 300-200 PSI	1
5	NA	End Plate, Left Hand	1	NS	NA	Pressure Switch, Low, 30-10 PSI	1
05	NA	Baffle Plate (Not Shown)	2	NS	NA	Valve, Refrigerant Drier Shut Off, Outlet	1
6	NA	Grill, 3 Fan Condenser	1	NS	NA	Valve, Refrigerant Drier Shut Off, Inlet	1
7	NA	Grill, Condenser Mount, CX-3 Cond, Black	1	NS	1771117	Guard, Winter Kit CS-3	1
8	NA	Bracket, Filter Dryer	1	NOTE: NA = Call your Parts Representative for Part Number information.			
9	NA	Coil Assembly, CS-3 Cond.	1				
10	NA	Filter Drier, 16 CU. IN., 1/2 MO W/Sight Glass	1				
11	NA	Fitting, 90° Swivel 1/2" For x 1/2"	1				
12	NA	Fan Assembly, Cond External/Pull 12" 12V	3				



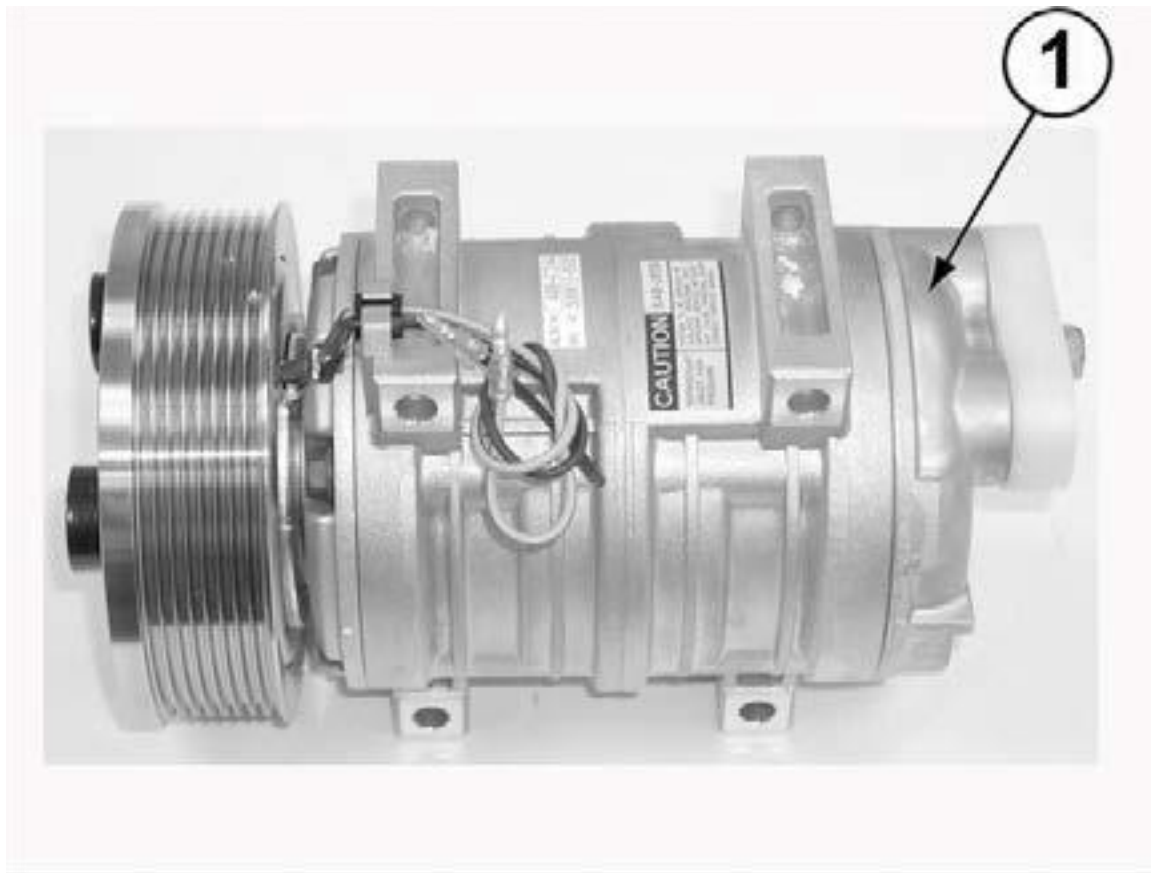
act condenser cs-2 w/grille
0420253 / 1771085

<u>ITEM</u>	<u>PART NO.</u>	<u>DESCRIPTION</u>	<u>QTY</u>	<u>ITEM</u>	<u>PART NO.</u>	<u>DESCRIPTION</u>	<u>QTY</u>
01	1771085	Condenser, CS-2 ACT W/Grille	1				



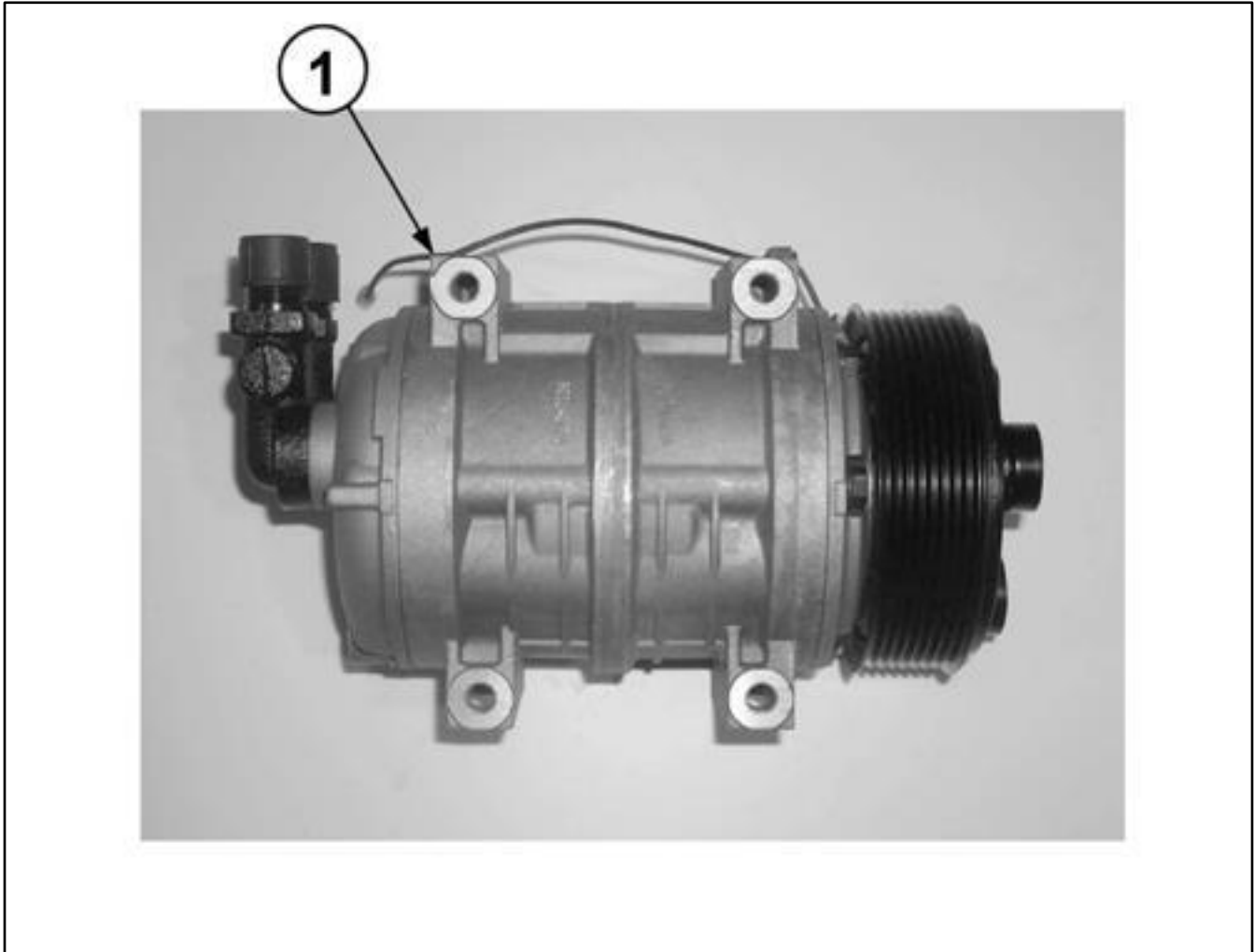
Compressor, tm-21 f-550
0420704 / 1771555

<i>ITEM</i>	<i>PART NO.</i>	<i>DESCRIPTION</i>	<i>QTY</i>	<i>ITEM</i>	<i>PART NO.</i>	<i>DESCRIPTION</i>	<i>QTY</i>
01	1771555	COMPRESSOR, TM-21 PAD POLY	1				
NS	1771753	MOUNT, Compressor F-550 6.8L	1				
NS	1771554	KIT, Compressor Fitting ACT	1				
NS	0342782	Bracket, A/C 303-117	2				
NS	1770947	HOSE, #12 Refrig. EZ-Clip x 367	40				
NS	1770946	HOSE, #10 Refrig. EZ-Clip x 550	40				
NS	1770945	HOSE, #8 Refrig. EZ-Clip x 575'	40				
NS	1771557	HOSE, #16 Refrig. EZ-Clip	40				



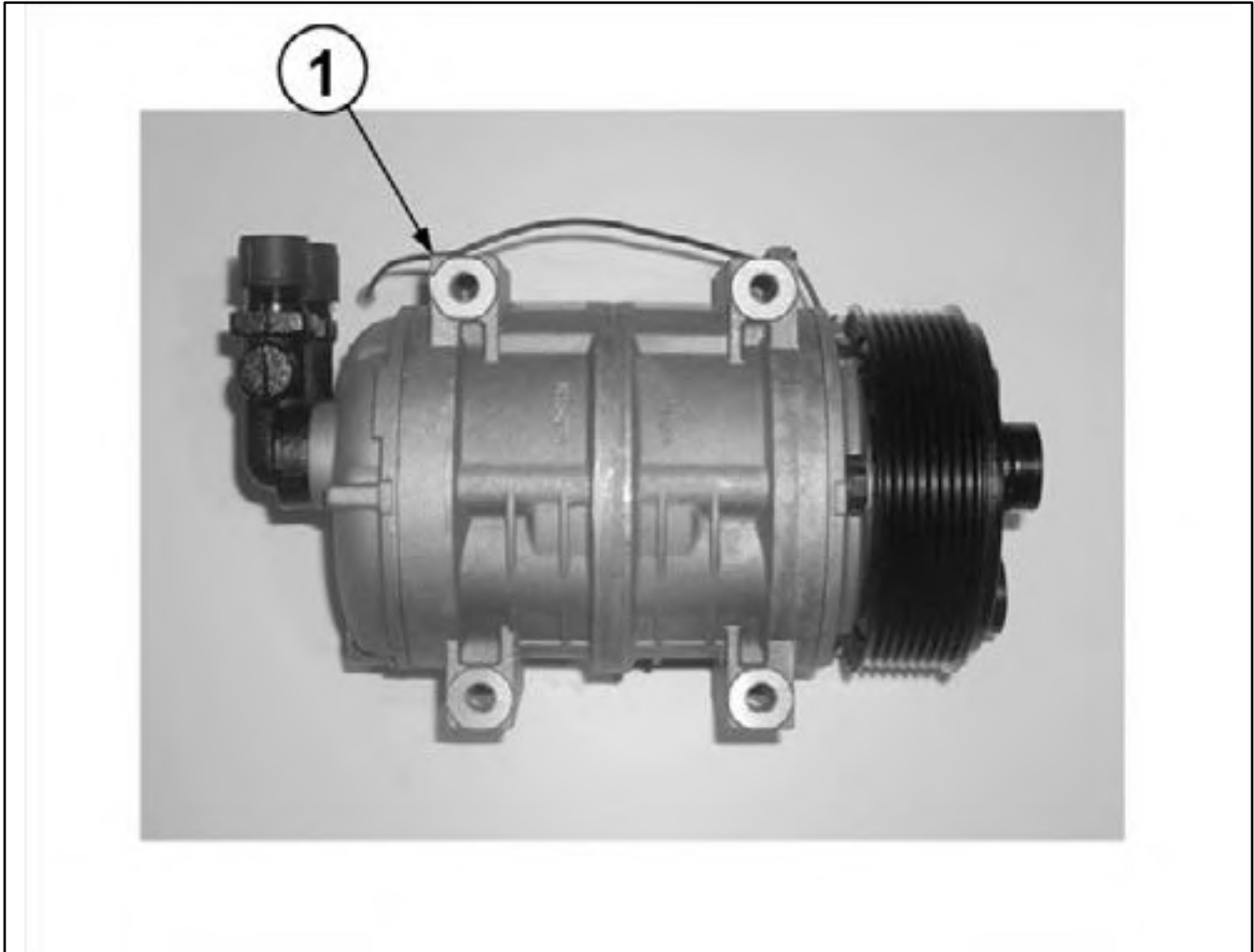
**Compressor, tm-21 f-550 6.7l dsl
1771555 / 1771877**

<i>ITEM</i>	<i>PART NO.</i>	<i>DESCRIPTION</i>	<i>QTY</i>	<i>ITEM</i>	<i>PART NO.</i>	<i>DESCRIPTION</i>	<i>QTY</i>
01	1771555	COMPRESSOR, TM-21 PAD POLY	1				
NS	1771877	MOUNT, '11 Ford F550 Dual OEM Alt's TM21	1				
NS	1771554	KIT, Compressor Fitting ACT	1				
NS	1771553	KIT, INSTALLATION ACT 110K BTU	1				
NS	1770945	HOSE, #8 Refrig. EZ-Clip x575'	40				
NS	1770946	HOSE, #10 Refrig. EZ-Clip x550'	40				
NS	1770947	HOSE, #12 Refrig. EZ-Clip x367'	40				



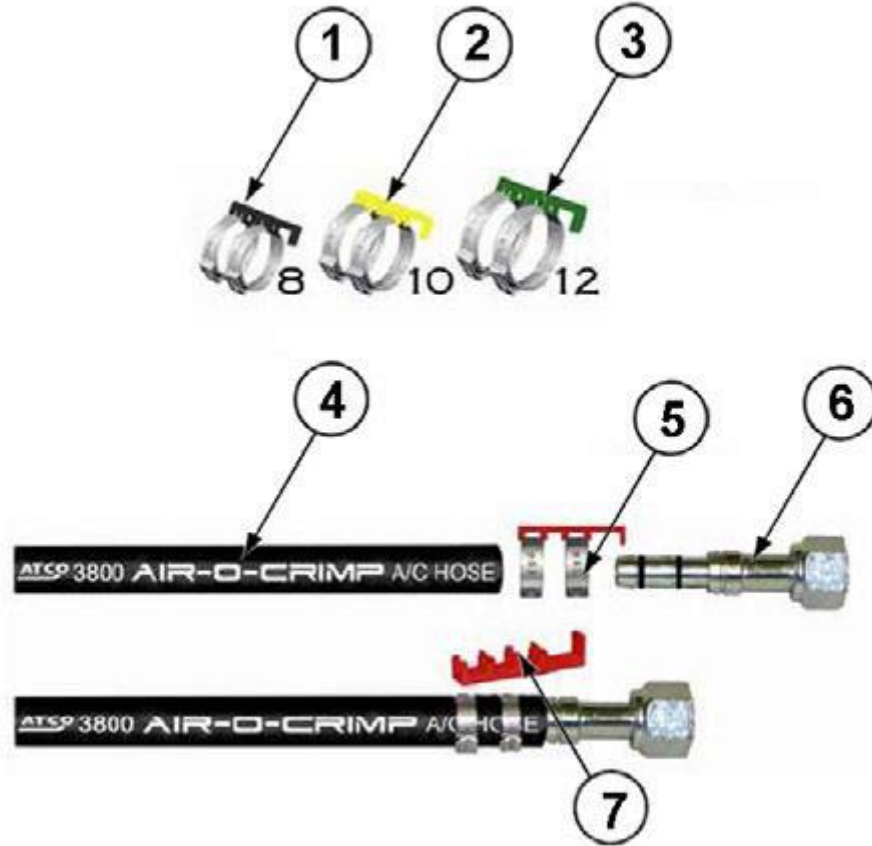
act compressor tm-16
0420253 / 1771506

<i>ITEM</i>	<i>PART NO.</i>	<i>DESCRIPTION</i>	<i>QTY</i>	<i>ITEM</i>	<i>PART NO.</i>	<i>DESCRIPTION</i>	<i>QTY</i>
01	1771506	Compressor, TM-16 PAD POLY	1				
NS	1771871	Mount, 2011 Ford F550 6.7L					
NS	1770943	Kit, Compressor Fitting ADJ TM16 W/EZ Clip	1				
NS	1770946	Hose, #10 Refrigerant EZ-Clip	17				
NS	1770947	Hose, #12 Refrigerant EZ-Clip	30				
NS	1770945	Hose, #8 Refrigerant EZ-Clip	20				
NS	3971520	Clamp, Vinyl Coated Steel 2"	2				



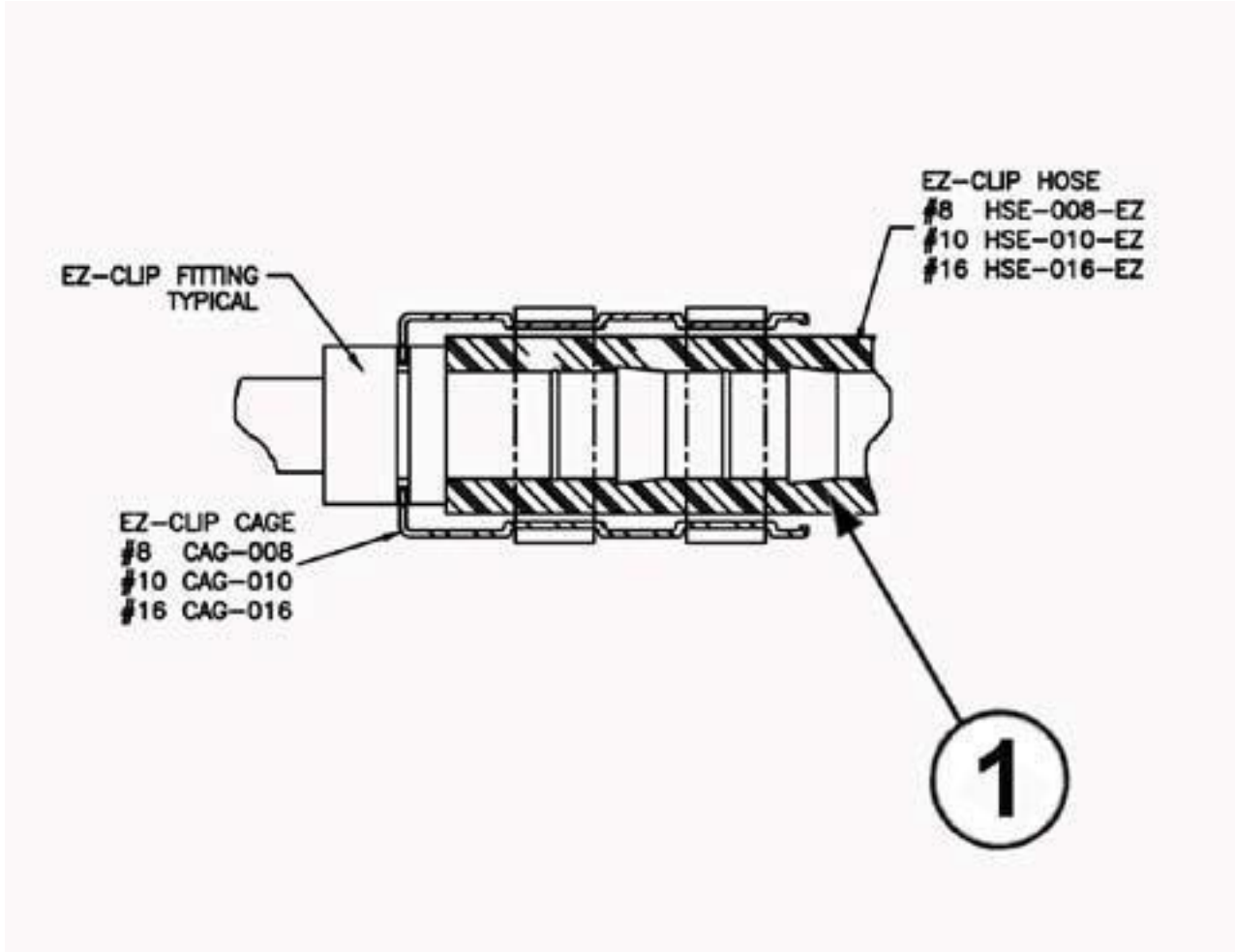
act compressor tm-16 (ford f550)
1771506

<u>ITEM</u>	<u>PART NO.</u>	<u>DESCRIPTION</u>	<u>QTY</u>	<u>ITEM</u>	<u>PART NO.</u>	<u>DESCRIPTION</u>	<u>QTY</u>
01	1771506	Compressor, TM-16 PAD POLY	1				
NS	1771753	Mount, F550 Gas 6.8L	1				
NS	1771891	Kit, Install Without Fittings	1				
NS	0342782	Bracket, A/C 303-117	2				
NS	3975385	Sensor, TPS (Ford 6.8L W/Add-On Compr	1				



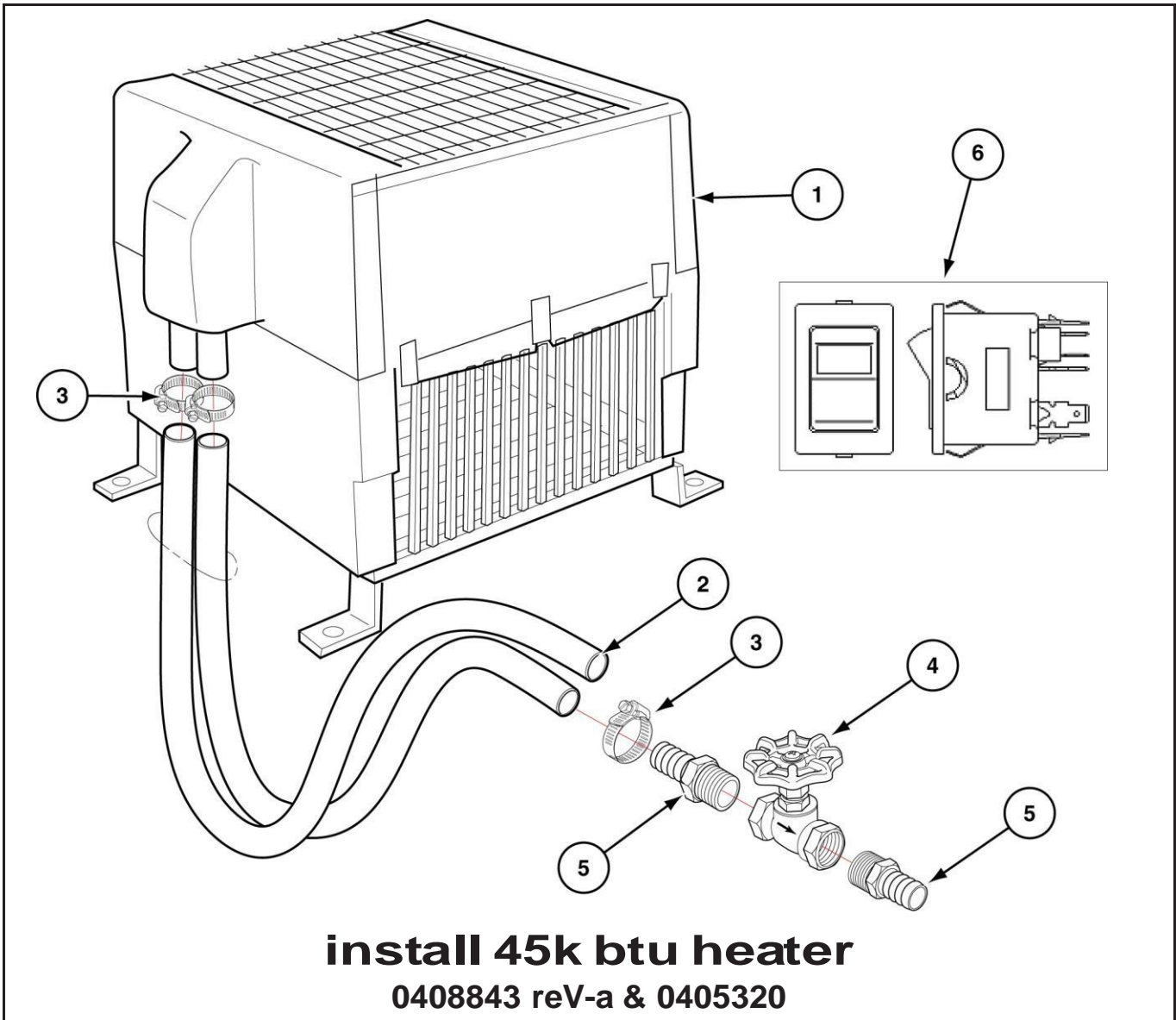
a/c hoses & fittings acc system 0420378

ITEM	PART NO.	DESCRIPTION	QTY	ITEM	PART NO.	DESCRIPTION	QTY
01	2971108	Clamp, #8 - 20 Per Tube	8	NS	2971123	Fitting, 12FO x 12 Hose 90	2
02	2971109	Clamp, #10 -20 Per Tube	8	NS	2971274	Fitting, Tee 5/8 for x 5/8 MIO x 5/8	1
03	2971110	Clamp, #12 -20 Per Tube	10	NS	2971275	Fitting, Tee 3/4 for x 3/4 MIO x 3/4	1
04	2971114	Hose, #8 AOC 500' Reel	30	NS	1771269	Breaker, Circuit 60 AMP	1
	2971115	Hose, #10 AOC 500' Reel	30				
	2971116	Hose, #12 AOC 500' Reel	30				
5		Contact your Parts Representative					
6		Contact your Parts Representative					
7	NA	Clamp Locator, (Disposable)	AR				
NS	3946829	Loom, 1" Split Nylon W/Stripe HiTem	57				
NS	3941796	Loom, 3/4" Mylon W/Stripe Hi-Temp	32				
NS	2971132	Fitting, 12HS x 12HS Splice w/M12 S	1				
NS	2971131	Fitting, 12MO x 12HS 90 ATCO	1				
NS	2971093	Fitting, 10-FO x 10-HS 90 ATCO	2				



a/c hoses & fittings ez-clip 0420334

<i>ITEM PART NO. DESCRIPTION</i>	<i>QTY</i>	<i>ITEM PART NO. DESCRIPTION</i>	<i>QTY</i>
01 1770947 HOSE, #12 REFRIG EZ-CLIP	30		
1771557 HOSE, #16 REFRIG EZ-CLIP	30		
NS 1771553 Kit, Installation ACT 110K BTU	1		
NS 1771554 Kit, Compressor Fitting ACT	1		
NS 0413543 Install, Holder Fuse Mega	1		

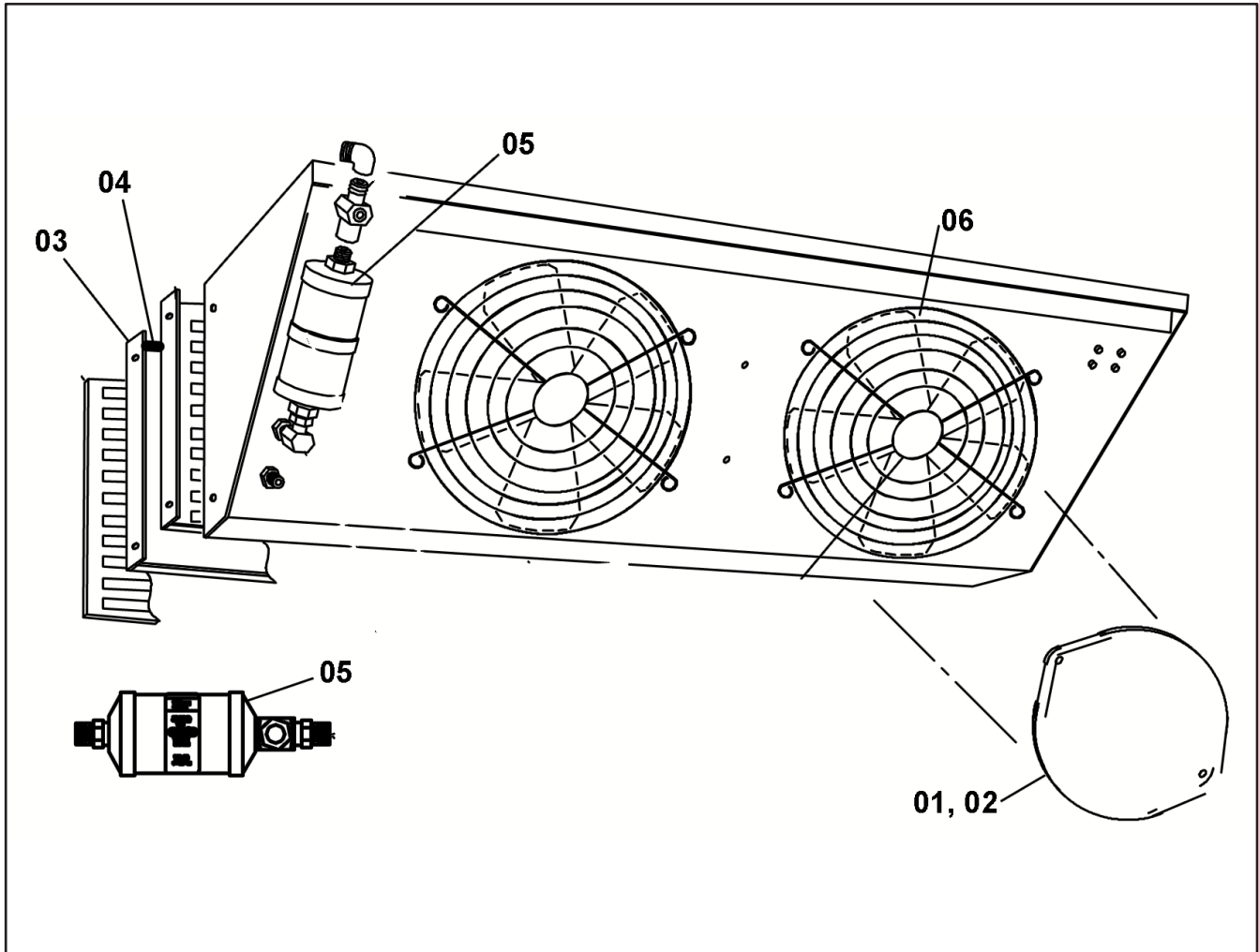


ITEMPART NO.		DESCRIPTION	ITEMPART NO.		DESCRIPTION
0408843 INSTALL HEATER 45,000 BTU					
01	1770760	HEATER (45,000 BTU PROAIR)	1		
02	2970452	HOSE, HEATER (5/8 I.D. SILCONE)	A/R		
03	4970430	CLAMP, HOSE (1/2 x 1-1/8) #10	8		
06	3944162	SWITCH, 2-SPEED	1		
N/S	3944519	LENS, HEATER (BLUE)	1		
N/S	3972646	BREAKER, 10 AMP (MANUAL RESET)	1		
N/S	8570936	SCREW (8 x 1 PAN QUAD T2)	4		
N/S	8570932	SCREW (8 X 1 PAN QUAD FAST CAD)	5		
0405320 INSTALL 1/2" BALL VALVE FOR 5/8 HTR HOSE					
4	2970407	Valve, Threaded Ball Type (1/2")	1		
5	2943314	Fitting, Adapter (1/2MPT x 5/8 Barb)	2		



**ACC WINTER GUARD KIT
0420550**

<i>ITEM</i>	<i>PART NO.</i>	<i>DESCRIPTION</i>	<i>QTY</i>	<i>ITEM</i>	<i>PART NO.</i>	<i>DESCRIPTION</i>	<i>QTY</i>
01	1771916	GUARD, WINTER KIT ACC	1				



CONDENSER WINTER COVER GUARD

Cx000AC40016 / 0404783 / 0404782

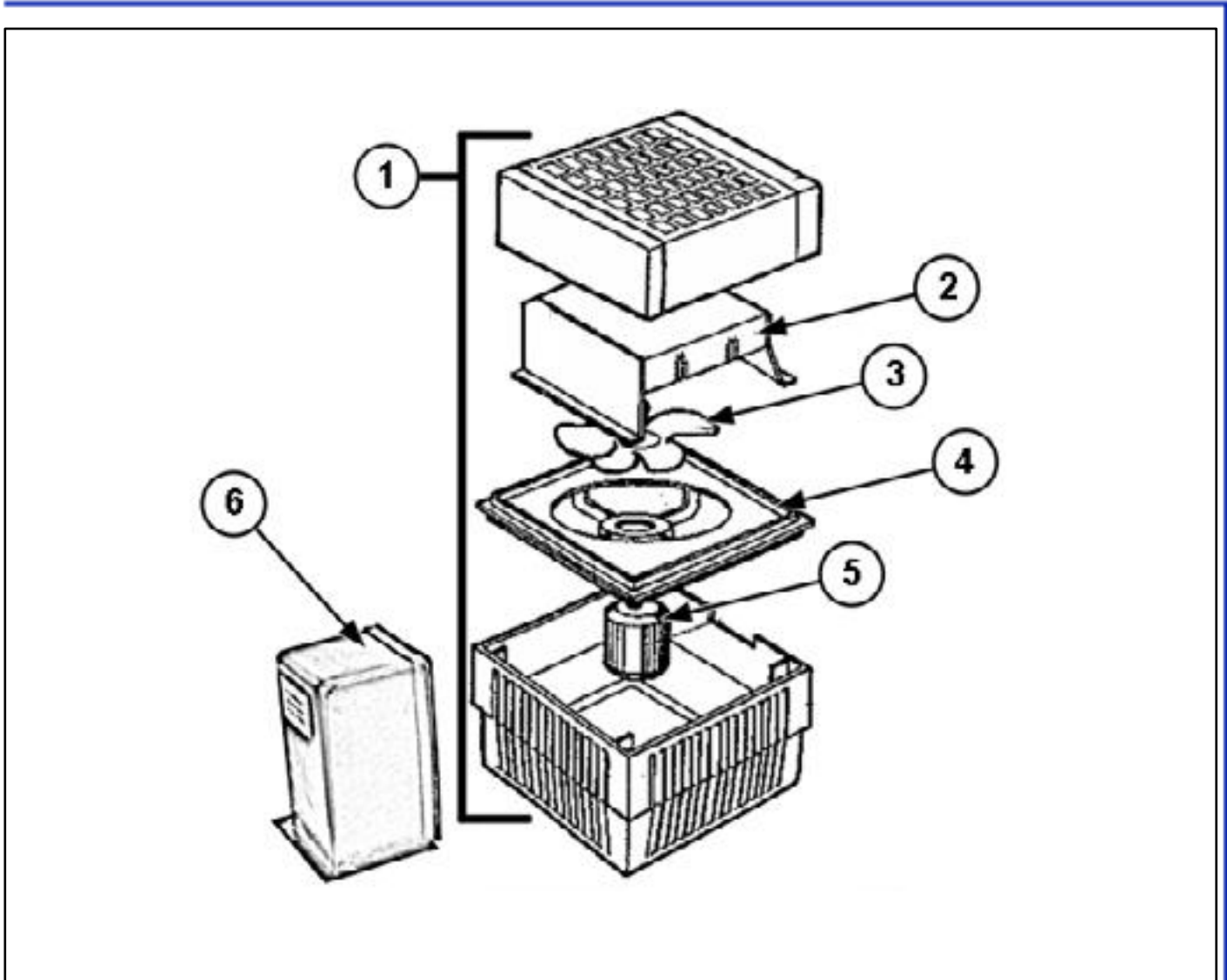
ITEM PART NO.	DESCRIPTION	QTY	ITEM PART NO.	DESCRIPTION	QTY
CX000AC40016 Condenser Winter Cover Guard					
1	1770693 GUARD, WINTER KIT 3-FAN GEN-3	1			
2	1770692 GUARD, WINTER KIT 2-FAN GEN-3	1			
3	1015964 COIL, COVER CM-2 CONDENSER	2			
	*NA COIL, COVER CM-3 CONDENSER	3			
4	*NA GASKET, TRIM SEAL BLACK (25')	AR			
5	1011289 FILTER, DRIER 16 CUBIC INCH	1			
06	1014530 GUARD, FAN CM-7	2			

**NOTE: Please contact your Parts Sales Representative for part number information.*



thermo top webasto heater - gas kit 0422725

<i>ITEM PART NO. DESCRIPTION</i>	<i>QTY</i>	<i>ITEM PART NO. DESCRIPTION</i>	<i>QTY</i>
01 1772129 Heater, Webasto Thermo Top C Gas Kit 1			
NS 1770777 Timer, Webasto Coolant Heater	1		

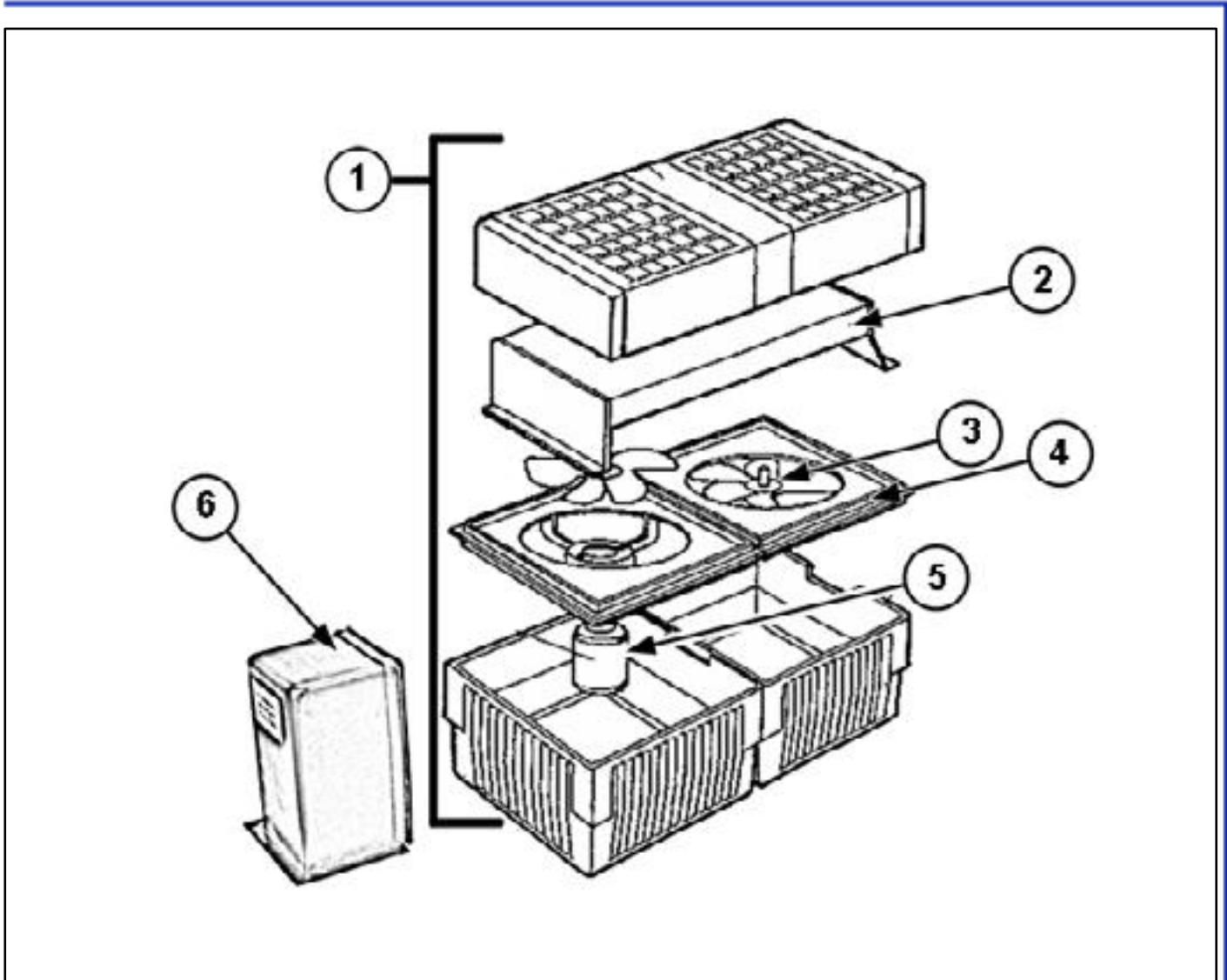


Auxiliary Floor Heater 35K BTU

Item	Part Number	Description	QTY	Item	Part Number	Description	QTY
01	1770821	HEATER,35,000 BTU	1	01	3975553	Heater 35K BTU LO-PRO W/3YR WAR	1
02	1016831	COIL, HEATER 35K	1	02	1016832	COIL, HEATER 65K	1
03	1015091	FAN,HEATER MOTOR REAR	1	03	1015091	FAN,HEATER MOTOR REAR	2
04	TBD	Motor Holder	1	04	TBD	Motor Holder	1
05	1013175	MOTOR,HEATER	1	05	TBD	MOTOR,HEATER	1
06	3371964	COVER,HEATER FLOOR ABS	1	06	3371964	COVER,HEATER FLOOR ABS	1

Also Found in Assemblies:

0401476, 0402780, 0402971, 0402972, 0403163, 0403194, 0403537, 0403821, 0403835, 0403865, 0404363, 0404822, 0404826, 0404951, 0405011, 0405012, 0405316, 0405620, 0406383, 0407605, 0408947, 0410024, 0413540, 0414464, 0415674, 0415805, CH-000-998-0808, EZ-310-900-0808, CO-300-900-0808, BG-300-900-0808, BG-340-900-0808, CT-310-900-0808



Auxiliary Floor Heater 65K BTU

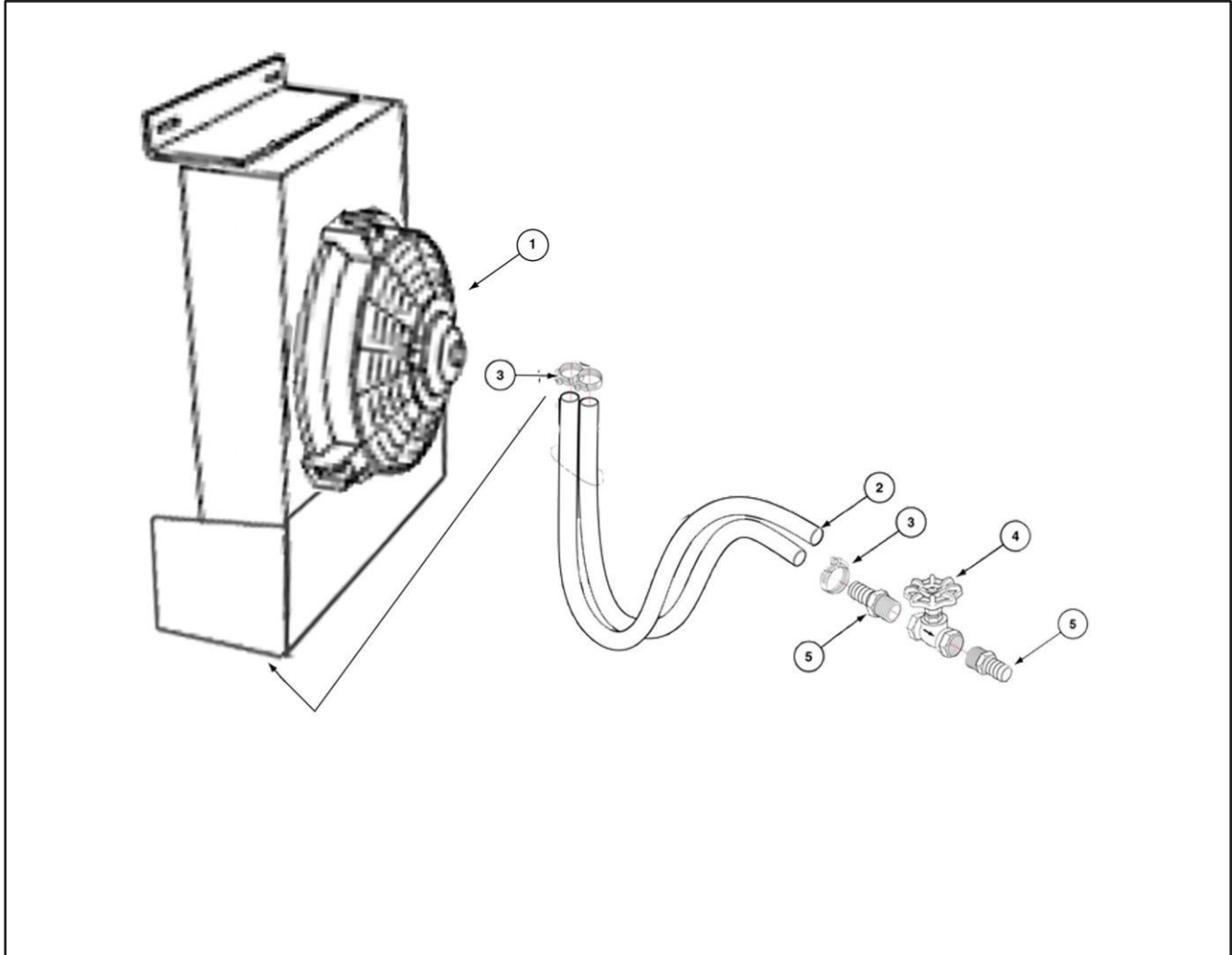
Item	Part Number	Description	QTY	Item	Part Number	Description	QTY
01	1770822	HEATER,65,000 BTU	1	01	3975504	Heater, 65K BTU Lo-Pro FLR MNT 3YR	1
02	1016832	COIL, HEATER 65K	1	02	1016832	COIL, HEATER 65K	1
03	1015091	FAN,HEATER MOTOR REAR	2	03	1015091	FAN,HEATER MOTOR REAR	2
04	TBD	Motor Holder	1	04	TBD	Motor Holder	1
05	1013175	MOTOR,HEATER	2	05	TBD	MOTOR,HEATER	1
06	3371964	COVER,HEATER FLOOR ABS	1	06	3371964	COVER,HEATER FLOOR ABS	1

Also Found in Assemblies:

0402608, 0402974, 0402973, CM-270-900-0807, 0403226, 0403311, 0403538, 0403820, 0403864, CO-301-998-0002, 0404459, 0404823, 0404995, 0405285, 0405500, 0405653, 0405885, 0405979, 0406281, 0406559, DF-250-900-0807, BG-340-900-0807, BG-320-900-0807, S23000040807, CT-300-999-0807, CT-380-900-0807, 0407665, CT-330-999-0807, CH-230-998-0807, AB-300-999-0807, 0409308, CT-260-998-0807, DF2500040807, CC3500040807, DF3500040807, CT3800040807

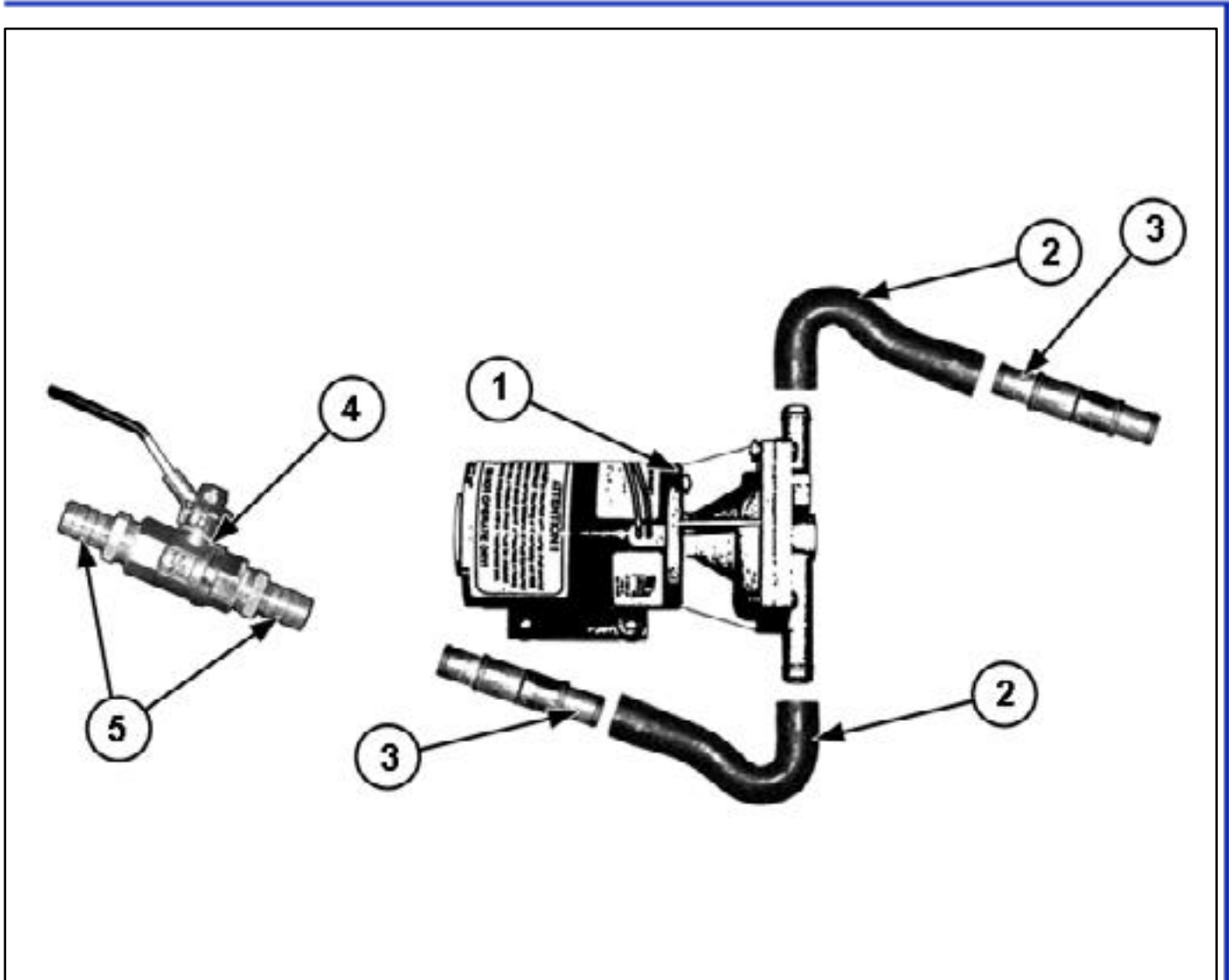
Also Found in Assemblies:

0420999



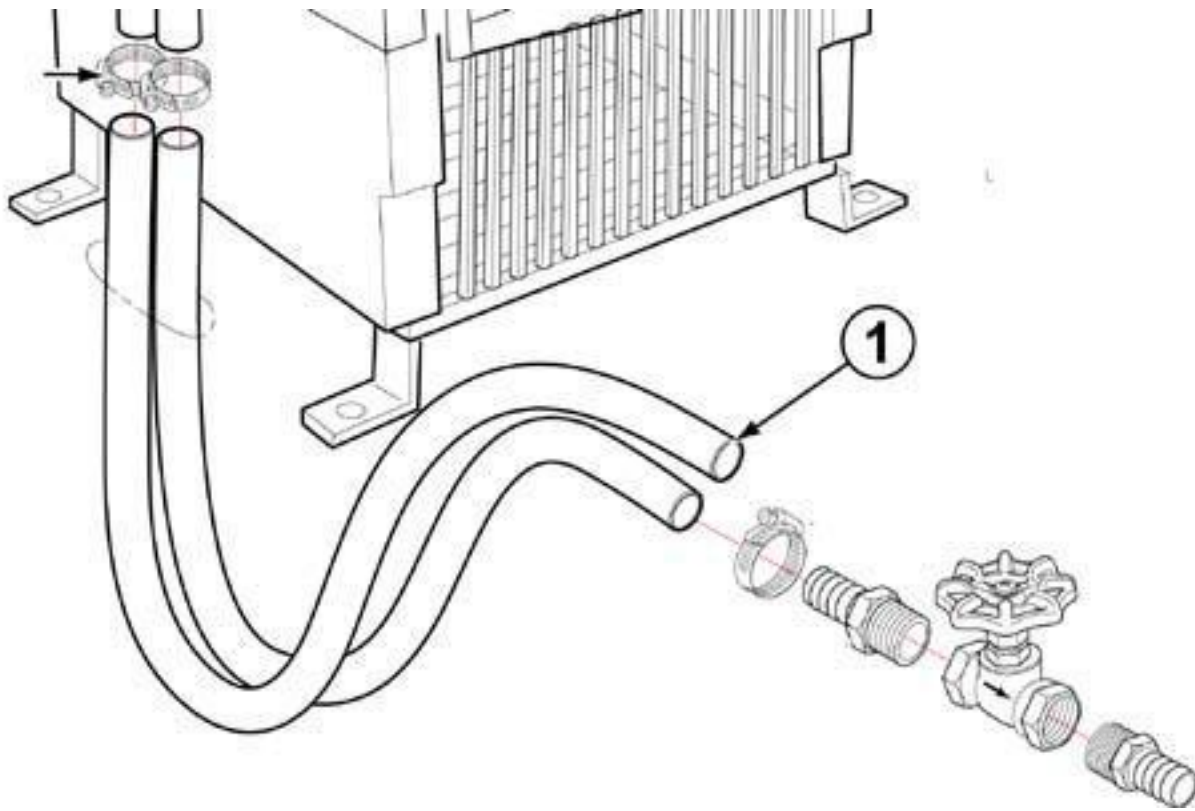
heater 65k btu - wall mount
0407650 / cx2500046009 / 0412185

<i>ITEM PART NO. DESCRIPTION</i>	<i>QTY</i>	<i>ITEM PART NO. DESCRIPTION</i>	<i>QTY</i>
0407650 WALL MOUNT HEATER 65K BTU		CX2500046009 HEATER HOSE PIPE WRAP	
1 1770865 Heater, 65,000 BTU Wall Mount	1	NS 0770049 Insulation, Pipe 3/8 x 7/8 x 6'	AR
2 2970457 Hose, Heater 5/8 ID Hi-Temp	AR		
03 4970430 Clamp, Hose 1/2 - 1-1/18 #10	10	0412185 PIPE WRAP HEATER HOSE	
4 2970407 Valve, Threaded Ball Type 1/2" B600	1	NS 0770049 Insulation, Pipe 3/8 x 7/8 x 6' Slit	6
5 2943314 Fitting, Adapter 1/2MPT x 5/8 Barb	2		



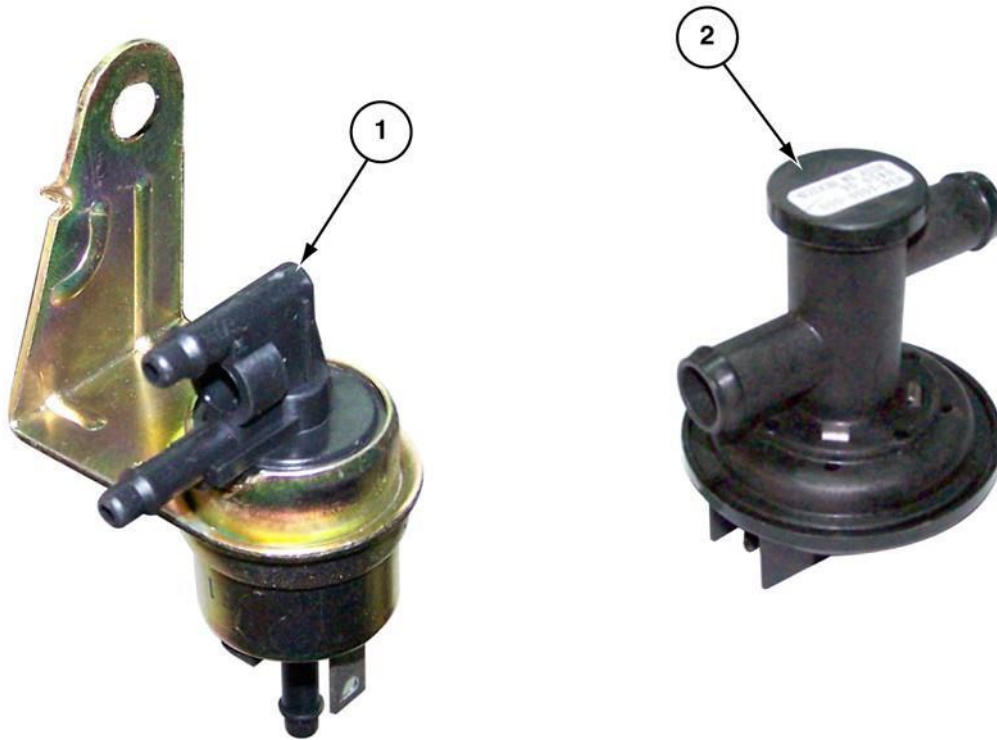
Auxiliary Floor Heater Circulation Pump and Hose

Item	Part Number	Description	QTY	Item	Part Number	Description	QTY
01	2370046	PUMP,CIRCULATOR 12 VOLT 5/8"	1				
02	1770884	ELBOW,RUBBER 60 DEG X 5/8 HOSE	2				
03	2970724	FITTING,SPLICE 5/8 HEATER HOSE	2				
04	2970407	Valve, BALL Threaded ball 1/2"	1				
05	2943314	FITTING,ADAPTER 1/2MPT X 5/8 BARB	2				
N/S	2970457	HOSE,HEATER 5/8 I.D. HI-MILER	A/R				
N/S	3371964	COVER,HEATER FLOOR ABS (optional)	1				
N/S	0770070	INSULATION,PIPE HOSE 6' (optional)	A/R				
N/S	2970452	HOSE, HEATER SILICONE 5/8"	A/R				
					REVISED 4/16/13		
					Also Found in Assemblies:		
					CH-000-900-0809, CT-000-900-0809, EZ-000-900-0809,		
					EZ000NJ40809, EZ000NK40809, CH000FP40809, CR000GC40809,		
					CH000FU40809, CH000GV40809, CH000GX40809, CH000GU40809,		
					CH000GY40809, CH000GI40809, DF000GT40809, DF000GO40809,		
					DF000GI40809, DF000GY40809, DF000GX40809, DF000NH40809,		
					DF000GU40809, DF000NI40809, DF000NJ40809 DF000NK40809,		
					HC000ND40809, HC000NJ40809, HC000NF40809, DF000NF40809D-		
					F000ND40809, CT000MD40809, CT000MJ40809, CT000ME40809,		
					RE000XC40809, CH000FF40809, CH000GT40809		
					0421658, 0420570, 0420334, 0420801, 0420555, 0415656		



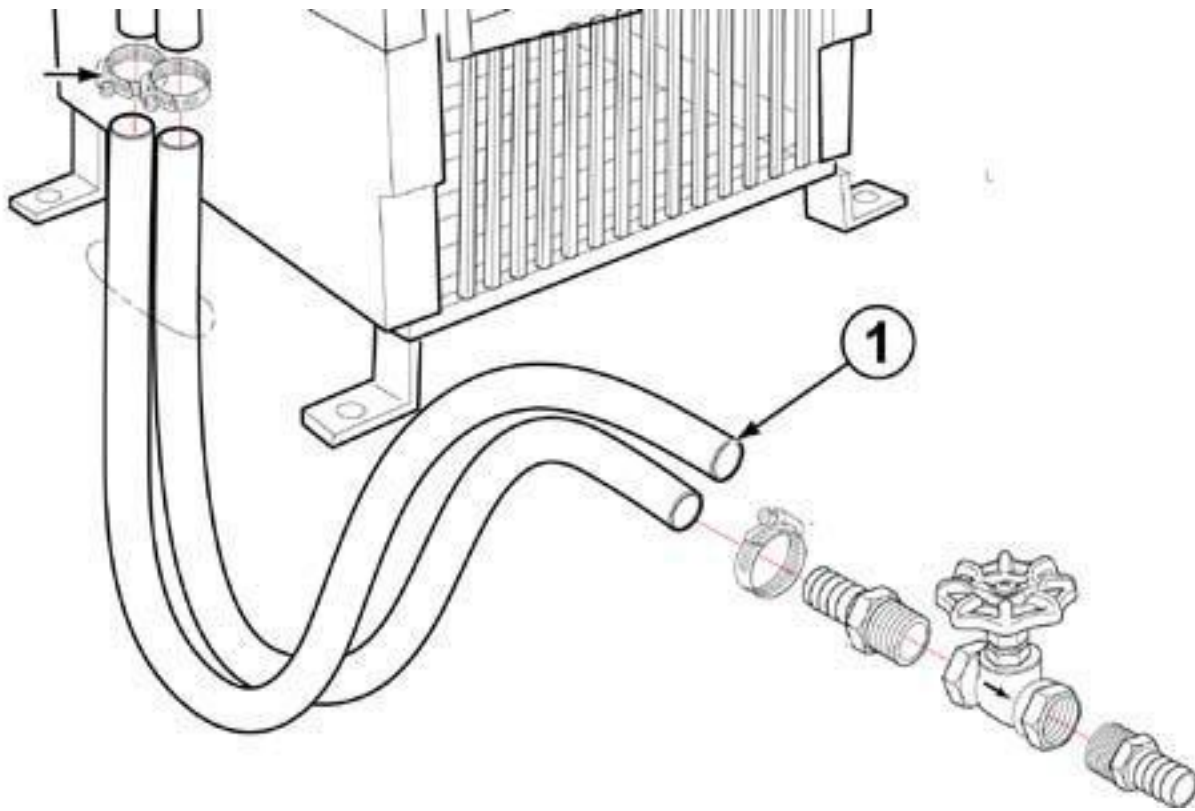
silicone heater hose 5/8"
0407492

<i>ITEM</i>	<i>PART NO.</i>	<i>DESCRIPTION</i>	<i>QTY</i>	<i>ITEM</i>	<i>PART NO.</i>	<i>DESCRIPTION</i>	<i>QTY</i>
01	2970452	HOSE, HEATER (5/8 I.D. SILCONE)	A/R				



ELECTRIC HEATER SHUT-OFF VALVE
0412999

<i>ITEM PART NO. DESCRIPTION</i>	<i>QTY</i>	<i>ITEM PART NO. DESCRIPTION</i>	<i>QTY</i>
1 1771002 SWITCH, ELECTRIC VACUUM	1		
2 1771003 VALVE, VACUUM SHUT-OFF	1		
N/S 2970433 HOSE, (5/32" I.D.)	A/R		



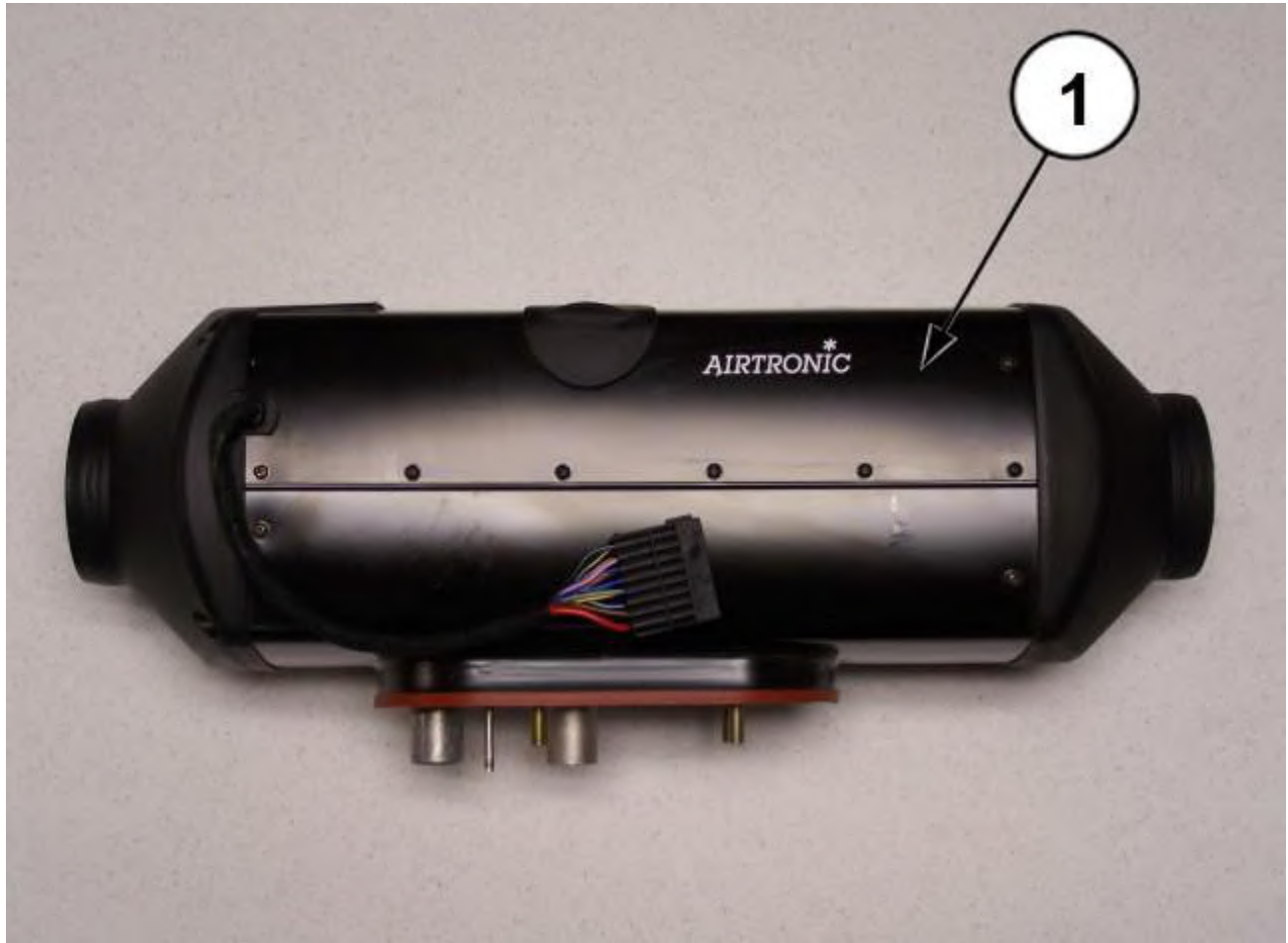
silicone heater hose 5/8"
0407492

<i>ITEM PART NO. DESCRIPTION</i>	<i>QTY</i>	<i>ITEM PART NO. DESCRIPTION</i>	<i>QTY</i>
01 2970452 HOSE, HEATER (5/8 I.D. SILCONE)	A/R		



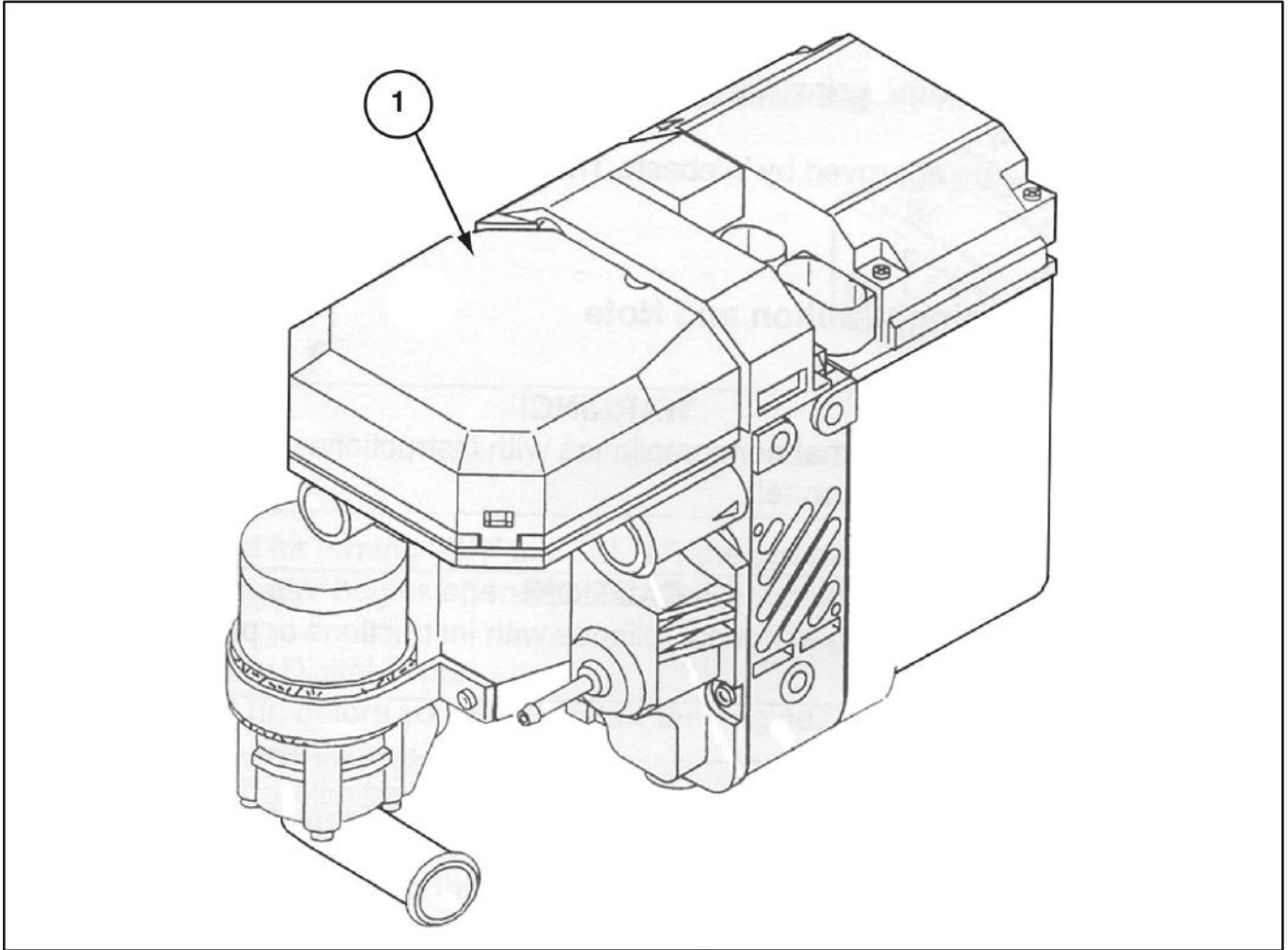
Heater, espar D5 Forced air with timer 0417055

ITEM	PART NO.	DESCRIPTION	QTY	ITEM	PART NO.	DESCRIPTION	QTY
01	1771529	Heater, Espar D5 Forced Air	1				
NS	1771530	Timer, Espar Heater D5 Forced Air	1				



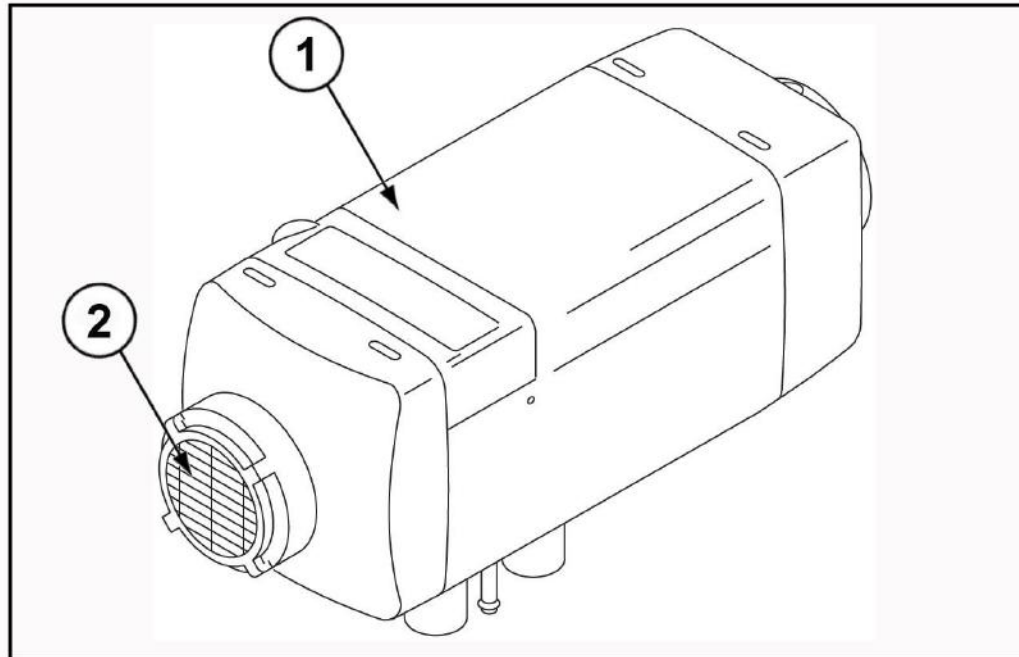
**espar forced air heater d5
0418798**

<i>ITEMPART NO.</i>	<i>DESCRIPTION</i>	<i>ITEMPART NO.</i>	<i>DESCRIPTION</i>
01	1771529 Heater, Espar D5 Forced Air	1	
NS	0379264 Plate, Mount Expar Airtonic D5	1	



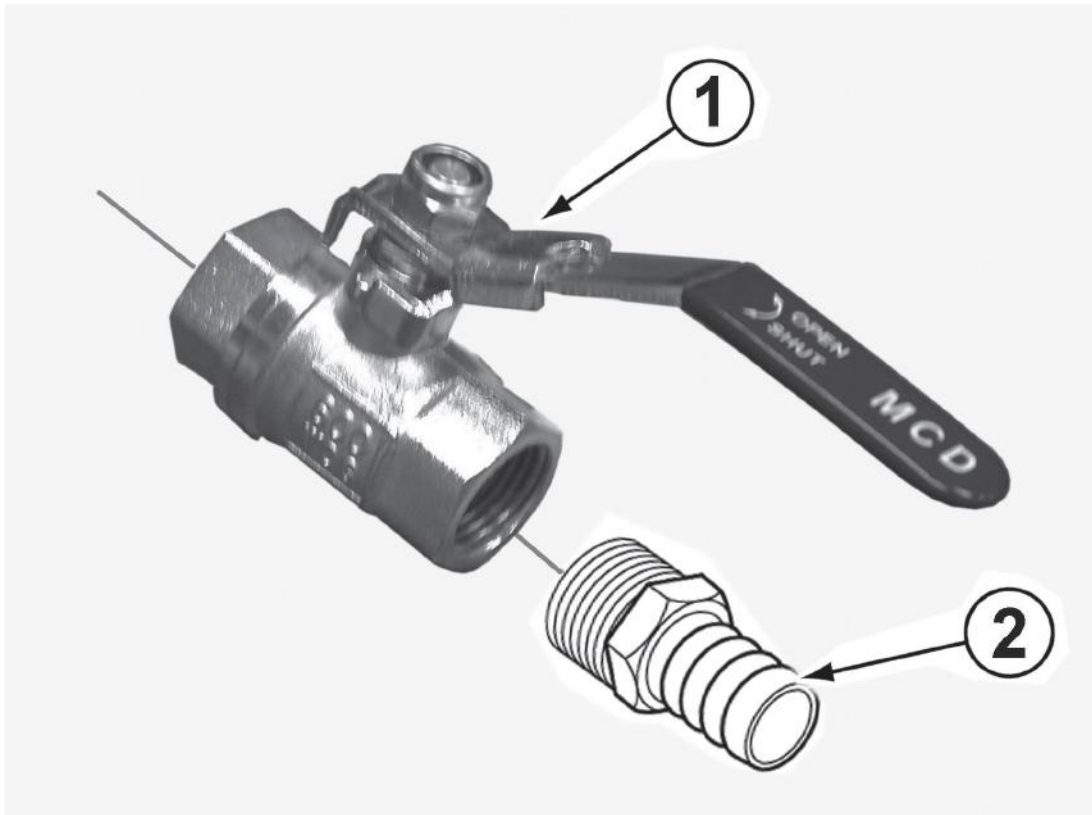
Install, heater webasto tsl17 0415521

<i>ITEM PART NO. DESCRIPTION</i>	<i>QTY</i>	<i>ITEM PART NO. DESCRIPTION</i>	<i>QTY</i>
01 1771031 Heater, Coolant Webasto TSL17	1		
N/S 2971068 Kit, Tube Pick Up International 3200	1		



webasto heater - air (dsl)
0416917

<i>ITEM PART NO. DESCRIPTION</i>	<i>QTY</i>	<i>ITEM PART NO. DESCRIPTION</i>	<i>QTY</i>
1 1771509 Heater, Webasto Air (Diesel)	1		
2 1771513 Grill, Outlet Webasto 90MM	1		
NS 1771514 Fitting, Tee 90 DEG x 90 DEG	1		



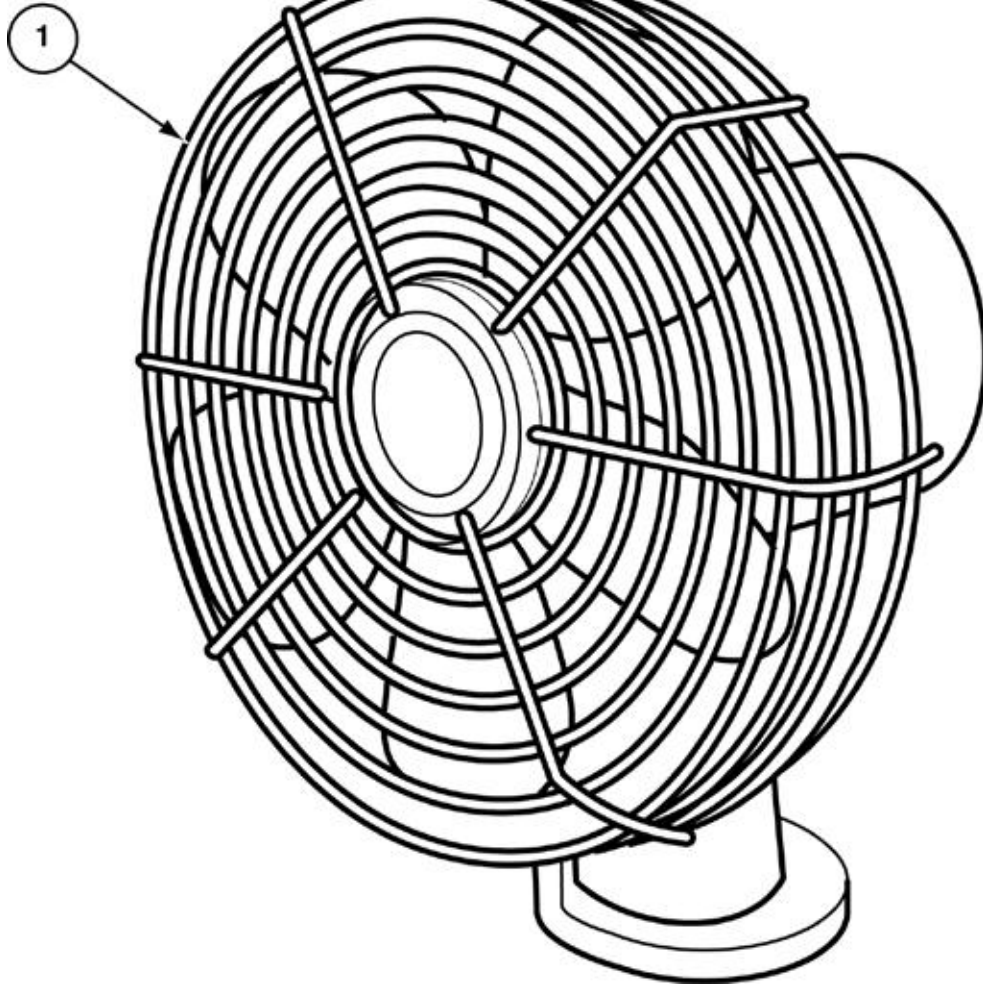
1/2" Ball Valve for 5/8 htr hose
CX0000040163

<i>ITEM PART NO. DESCRIPTION</i>	<i>QTY</i>	<i>ITEM PART NO. DESCRIPTION</i>	<i>QTY</i>
1 2970407 Valve, Threaded Ball 1/2"	1		
2 2943314 Fitting, Adapter 1/2 MPT x 5/8 Brass	2		

**PICTURE NOT AVAILABLE
AT THIS TIME**

**PiPe WraP heater hose
46009**

<u>ITEM PART NO. DESCRIPTION</u>	<u>QTY</u>	<u>ITEM PART NO. DESCRIPTION</u>	<u>QTY</u>
CX2900046009, CX3100046009, CX2500046009 Heater Hose Pipe Wrap		CX2100046009, CX2300046009, CX3300046009, CX3500046009, CX3800046009	
N/S 0770049 Insulation, Pipe 3/8x7/8x6'	AR	N/S 0770069 Insulation, Pipe Hose .875 x 6' W/AD	AR
N/S 0770069 Insulation, Pipe Hose .875 x 6' W/AD	AR		
CX2500046009 Heater Hose Pipe Wrap			
N/S 0770070 Insulation, Pipe Hose 1.25 x 6' W/A	AR		



INSTALL DEFROST FAN
0402763 - CH0000022810 - CH-000-900-2810

<i>ITEMPART NO.</i>	<i>DESCRIPTION</i>	<i>ITEMPART NO.</i>	<i>DESCRIPTION</i>
01	6540728 FAN, DEFROSTER 12 VOLT	1	
N/S	8570768 SCREW (8 x 1-1/2 PAN QUAD BLACK)	4	
N/S	8570053 STAR-WASHER, #10	1	
N/S	3944162 SWITCH, 2-SPEED BLUE	1	
N/S	3971290 BREAKER, 20 AMP	1	

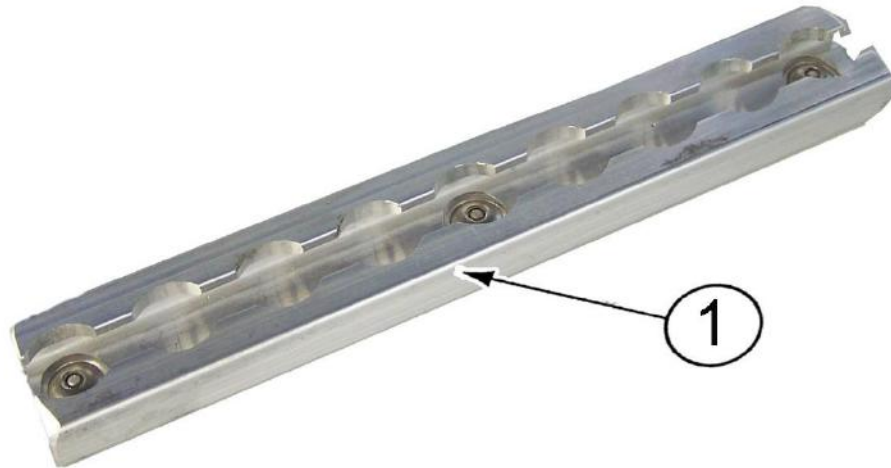


**CHAMPION
BUS, INC.**

Wholly owned subsidiary of Thor Industries, Inc.

SECTION 9:

SEATS



**Track "I" (2) 30" In lieu of (4)
0411733**

ITEM PART NO.	DESCRIPTION	QTY	ITEM PART NO.	DESCRIPTION	QTY
01	7371215 Track, Tiedown Aluminum-L W/Flange AR				
NS	0348250 Steel, Flat 11GA x 3 x 10'	1			



seat fabric

<i>ITEM PART NO. DESCRIPTION</i>	<i>QTY</i>	<i>ITEM PART NO. DESCRIPTION</i>	<i>QTY</i>
01 SEE ENCLOSED "ORDER VERIFICATION" FOR SEAT STYLE AND FABRIC			

no Picture available at this

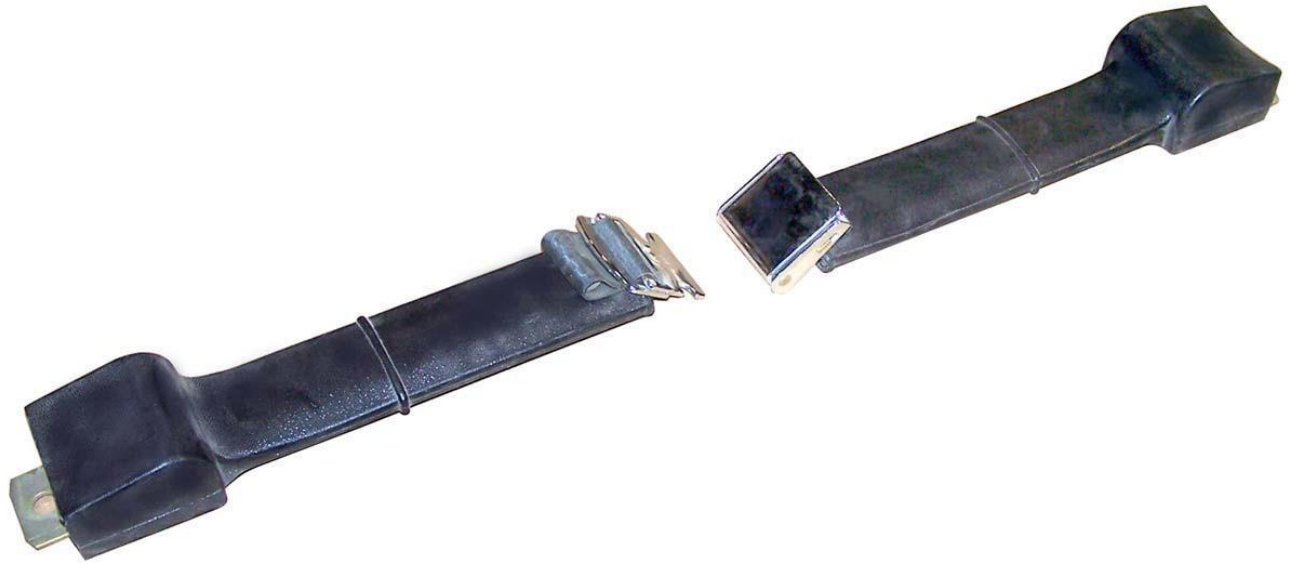
Driver's seat Power Base - Ford
cx00Fn10025 / cx00FU10025

<i>ITEM PART NO. DESCRIPTION</i>	<i>QTY</i>	<i>ITEM PART NO. DESCRIPTION</i>	<i>QTY</i>
01 7371462 Base, Power Driver's Set AM	1		



STANDARD SeAT belt
CX-000-900-4013

<i>ITEM</i>	<i>PART NO.</i>	<i>DESCRIPTION</i>	<i>QTY</i>	<i>ITEM</i>	<i>PART NO.</i>	<i>DESCRIPTION</i>	<i>QTY</i>
01	7371902	BELT, SEAT [BLACK 60"]	6				



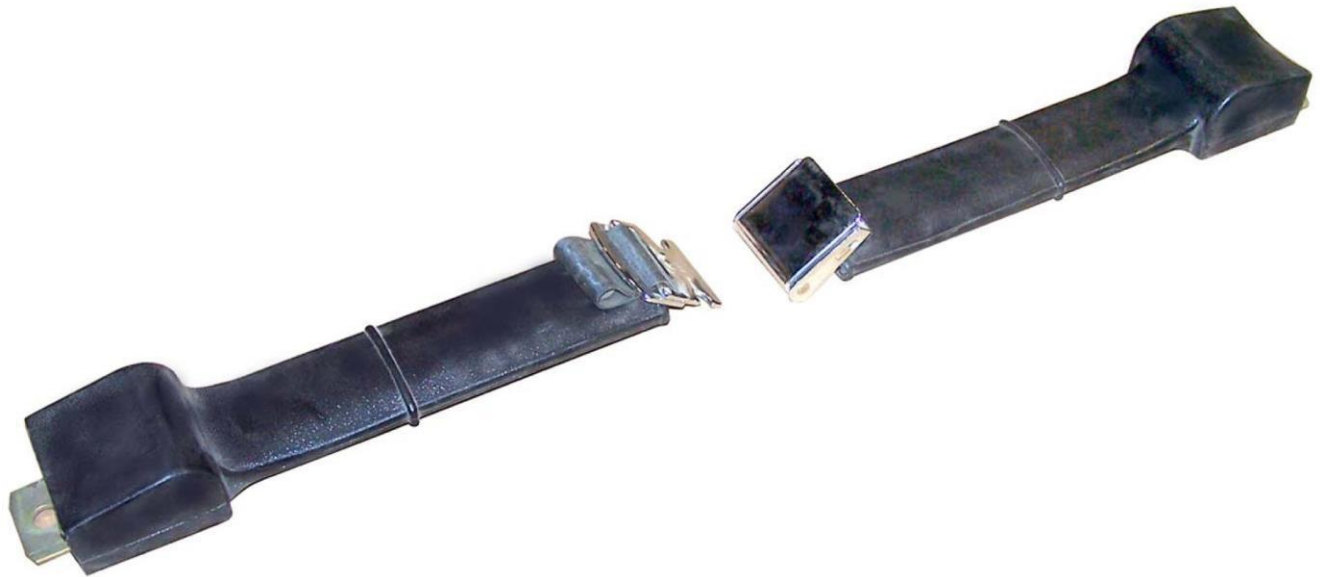
**INSTALL 2-POINT RETRACTABLE SEAT BELT
CX-000-900-4015**

<i>ITEM PARTNO. DESCRIPTION</i>	<i>QTY</i>	<i>ITEM PARTNO. DESCRIPTION</i>	<i>QTY</i>
01 7371944 SEATBELT,2-POINT RETRACTABLELAP	1		



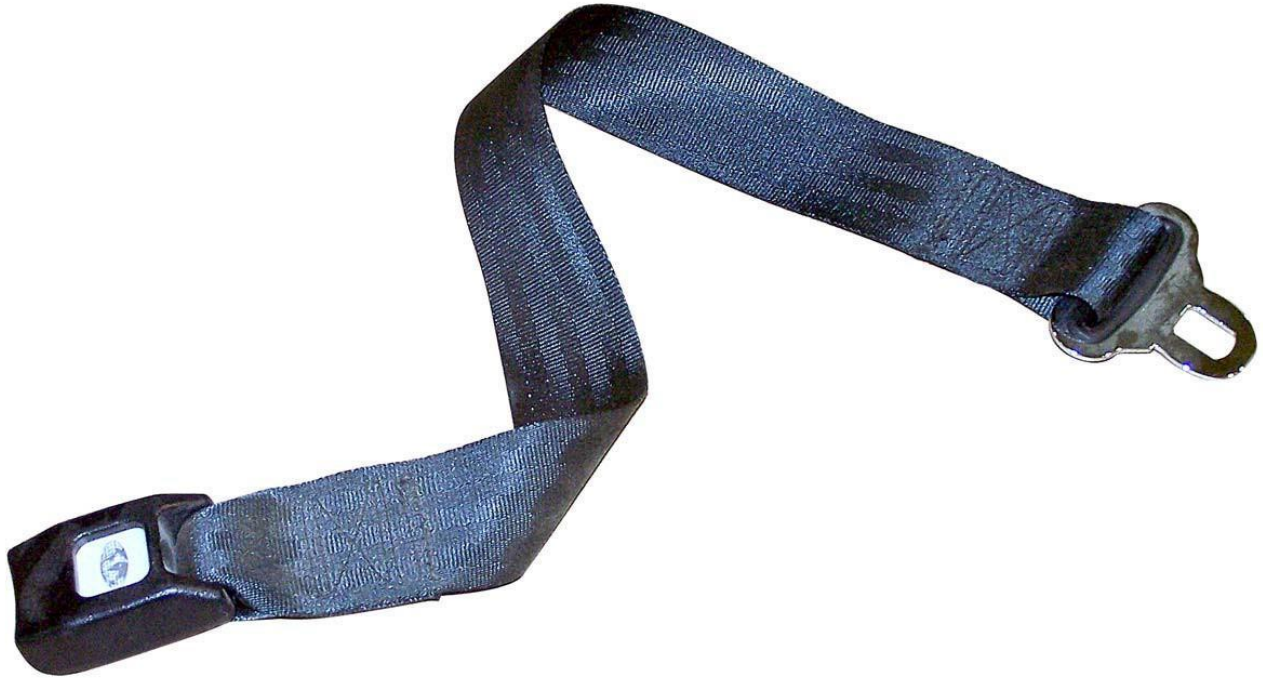
SEAT BELT RETRACTOR (PER PASSENGER)
CX-000-900-4014

<i>ITEM</i>	<i>PARTNO.</i>	<i>DESCRIPTION</i>	<i>QTY</i>	<i>ITEM</i>	<i>PARTNO.</i>	<i>DESCRIPTION</i>	<i>QTY</i>
01	7371591	KIT, Q-STRAINTIEDDOWN(Q-8105A1-L)	1				
N/S	4570061	TRACK, ALUMINUM TIEDOWN w/o FLANGE	A/R				
N/S	7371347	POUCH, Q-STRAINTIEDDOWN (BLAACK/VINYL)	1				
N/S	7371405	CUTTER, TIEDOWNBELT	1				



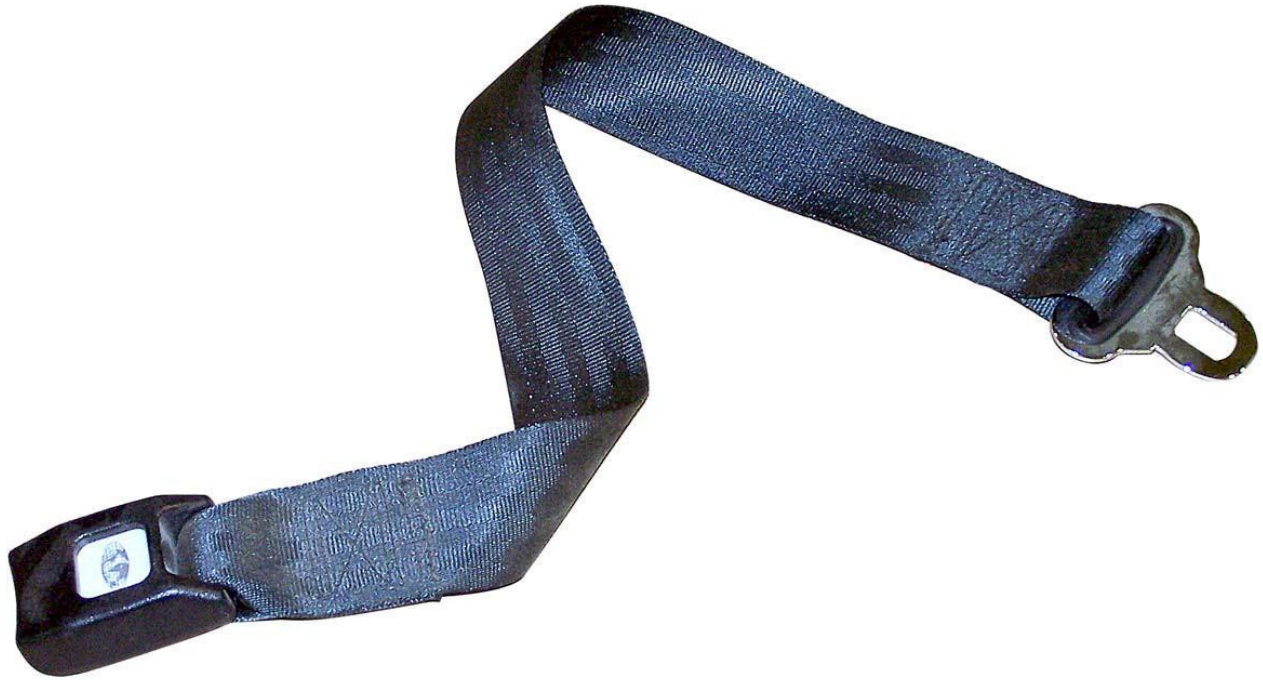
seat belt, retractable - 2 pt foldaway
cx-000-900-4015f

ITEM	PART NO.	DESCRIPTION	QTY	ITEM	PART NO.	DESCRIPTION	QTY
01	7371546	Belt, Seat 2 PT Retract	1				
N/S	0377616	Bracket, Seat Belt Center	A/R				
N/S	8571273	Nut, Spring Unistruct P-1009	A/R				



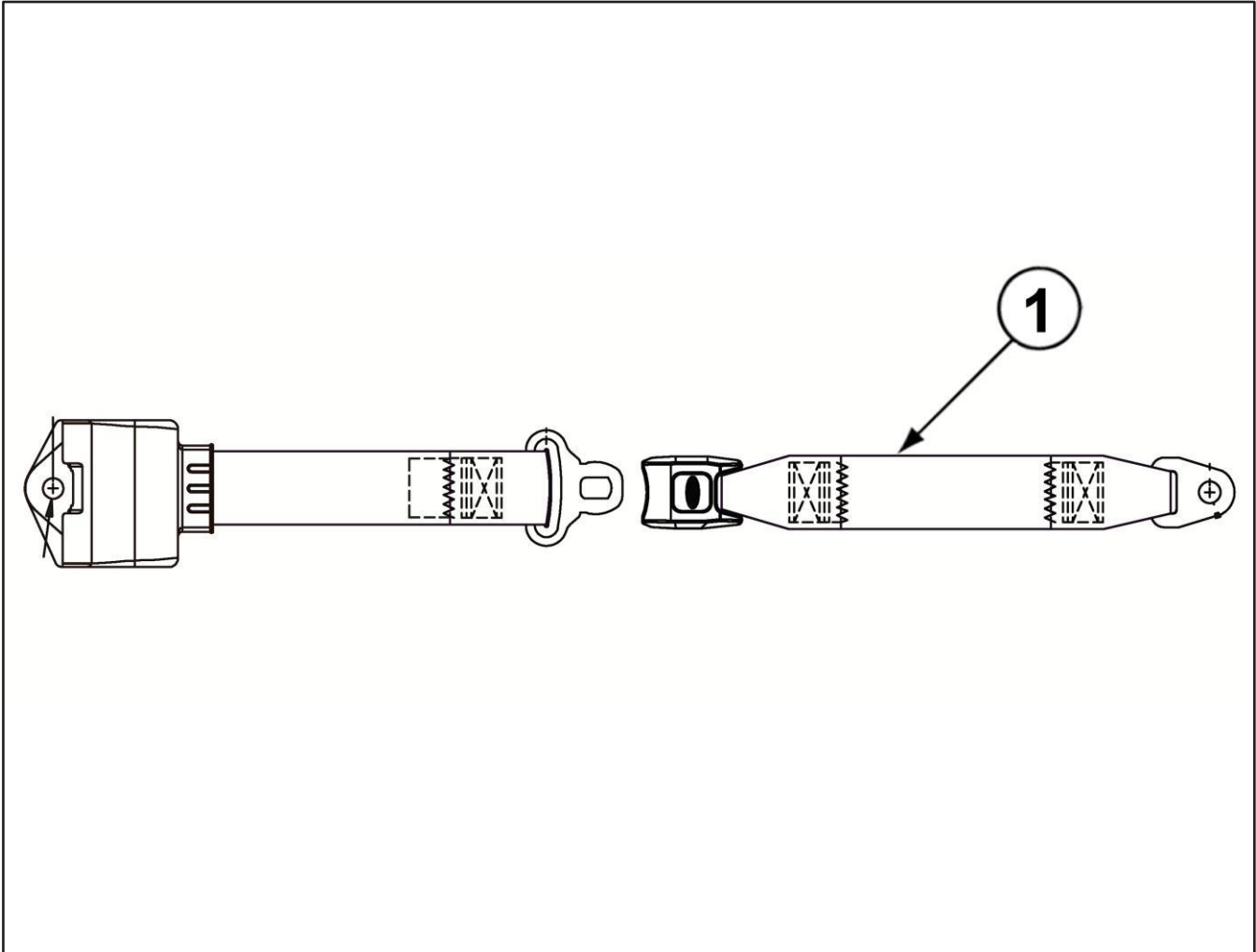
14" SEAT BELT EXTENSION
CX-000-900-0043

<i>ITEM PARTNO. DESCRIPTION</i>	<i>QTY</i>	<i>ITEM PARTNO. DESCRIPTION</i>	<i>QTY</i>
01 7371931 EXTENSION, 14" SEAT BELT	1		



24" SEAT BELT EXTENSION
CX-000-900-0044

<i>ITEM</i>	<i>PARTNO.</i>	<i>DESCRIPTION</i>	<i>QTY</i>	<i>ITEM</i>	<i>PARTNO.</i>	<i>DESCRIPTION</i>	<i>QTY</i>
01	7371082	EXTENSION, 24" SEATBELT	1				



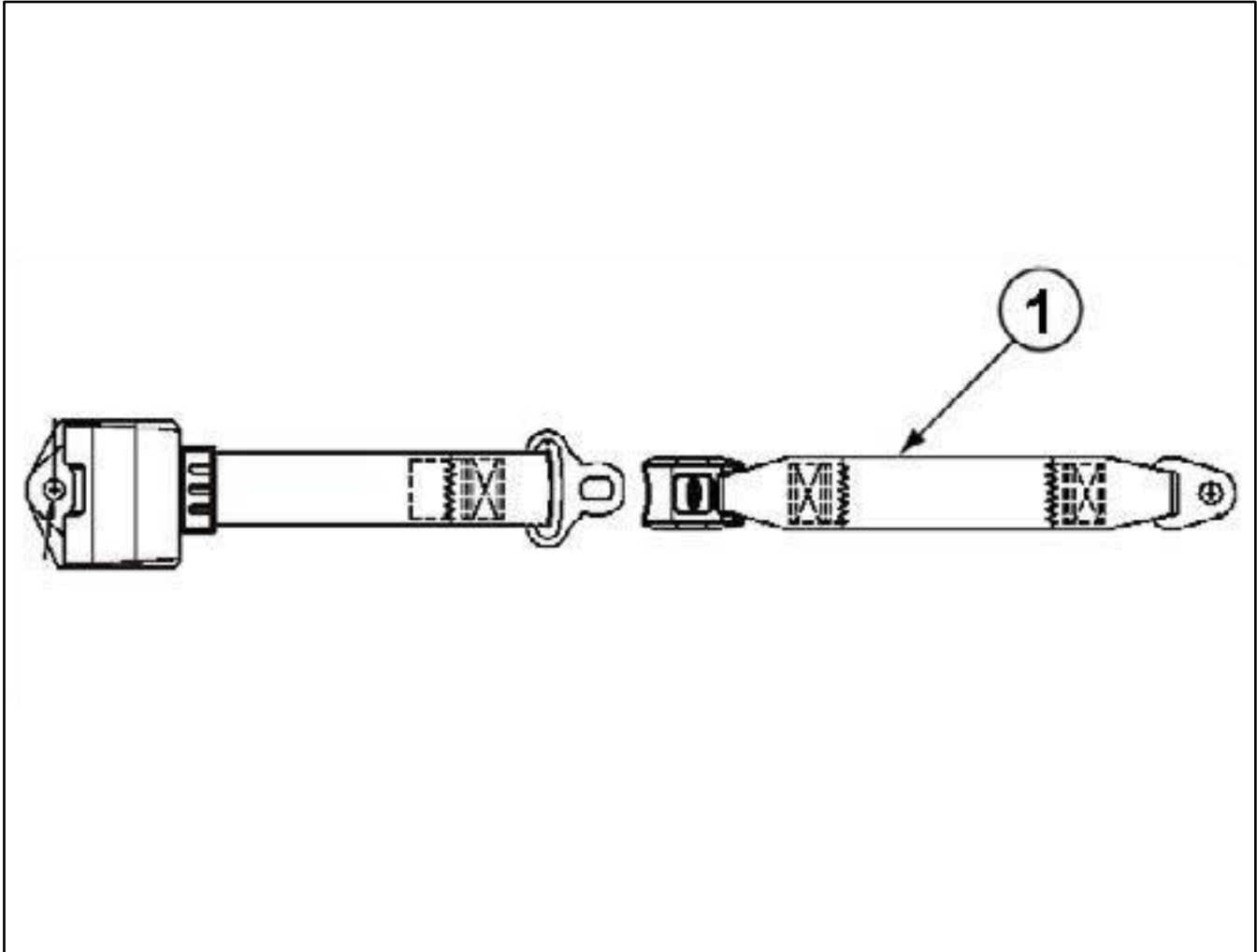
Seat Belt BlaCK - 90"
7371897

<i>ITEM PART NO. DESCRIPTION</i>	<i>QTY</i>	<i>ITEM PART NO. DESCRIPTION</i>	<i>QTY</i>
01 7371897 Seat Belt - Black 90"	21		



retractable seat belt (traveling)
7371899

<i>ITEM PART NO. DESCRIPTION</i>	<i>QTY</i>	<i>ITEM PART NO. DESCRIPTION</i>	<i>QTY</i>
01 7371899 Belt, Retractable (Traveling)	2		



Seat Belt BlaCK - 90"
7371705

<i>ITEM PART NO. DESCRIPTION</i>	<i>QTY</i>	<i>ITEM PART NO. DESCRIPTION</i>	<i>QTY</i>
01 7371705 BELT, SEAT BLACK 90"	AR		



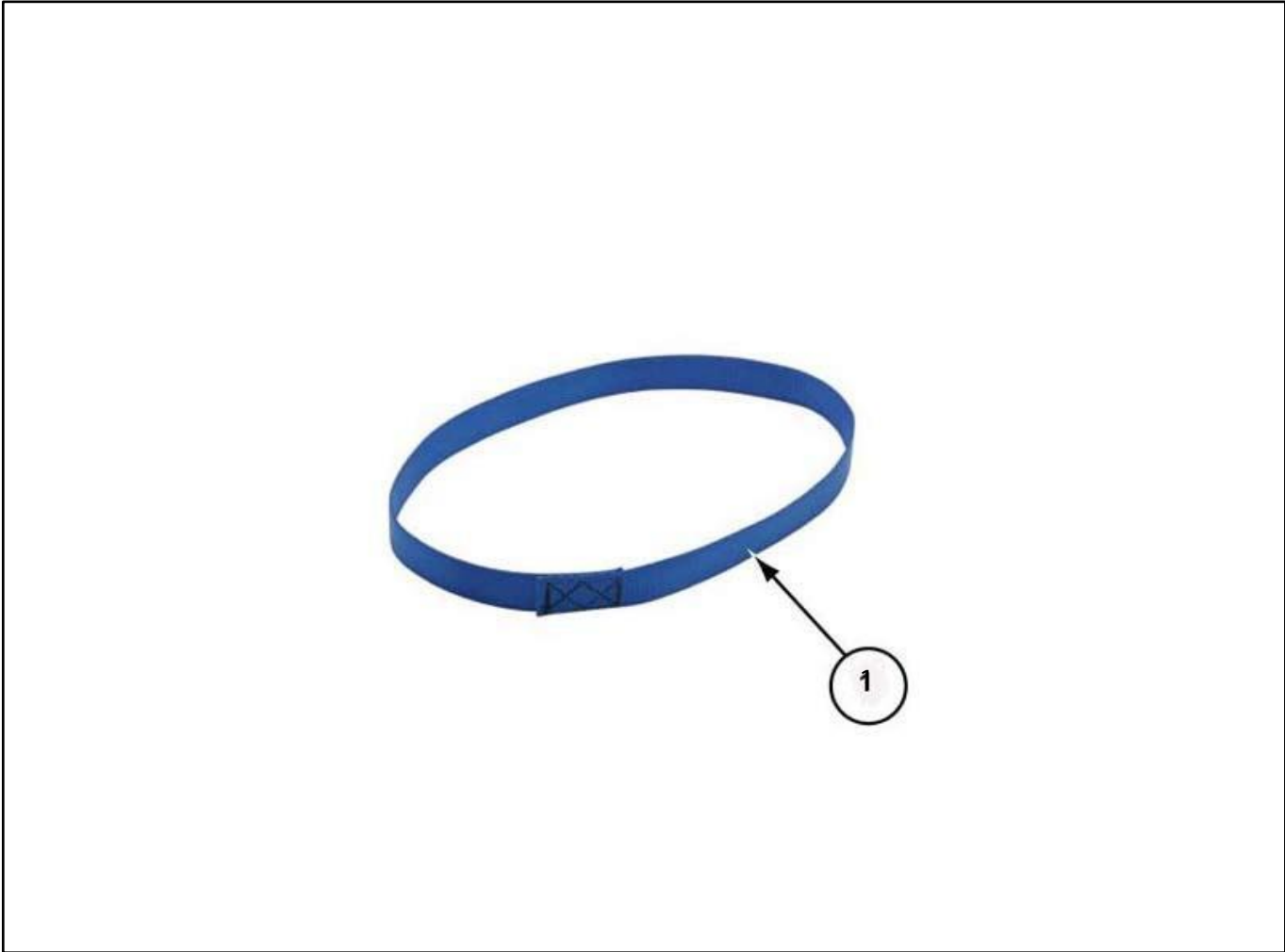
SEAT BELT WEB CUTTER
CX-000-900-0613 / CX0000070613

<i>ITEM PARTNO. DESCRIPTION</i>	<i>QTY</i>	<i>ITEM PARTNO. DESCRIPTION</i>	<i>QTY</i>
01 7371405 CUTTER, TIEDOWNBELT	1		



**SEAT BELT WEB CUTTER - SURE-Lok
CX-000-999-0613**

<i>ITEM</i>	<i>PART NO.</i>	<i>DESCRIPTION</i>	<i>QTY</i>	<i>ITEM</i>	<i>PART NO.</i>	<i>DESCRIPTION</i>	<i>QTY</i>
01	7371569	CUTTER, TIEDOWN BELT	1				



Webbing loops
0415014

<i>ITEM PART NO. DESCRIPTION</i>	<i>QTY</i>	<i>ITEM PART NO. DESCRIPTION</i>	<i>QTY</i>
01 7371533 Loop, Webbing Q'-Straint	4		

SEAT COLOR NOT REPRESENTED



recaro driver's seat lxf - black 7371600

<i>ITEM</i>	<i>PART NO.</i>	<i>DESCRIPTION</i>	<i>QTY</i>	<i>ITEM</i>	<i>PART NO.</i>	<i>DESCRIPTION</i>	<i>QTY</i>
01	7371600	SEAT, DRIVER'S RECARO LXF BLK	1				



Driver's seat Power Base - Ford cx000Fn10025 / cx000FU10025

<i>ITEM</i>	<i>PART NO.</i>	<i>DESCRIPTION</i>	<i>QTY</i>	<i>ITEM</i>	<i>PART NO.</i>	<i>DESCRIPTION</i>	<i>QTY</i>
01	7371462	Base, Power Driver's Set AM	1				



**CHAMPION
BUS, INC.**

Wholly owned subsidiary of Thor Industries, Inc.

SECTION 10:

SAFETY & DECALS



**PRIORITY SEATING FOR PERSONS WITH
DISABILITIES. OTHER PASSENGERS
SHOULD MAKE THESE SEATS AVAILABLE
TO THOSE WHO WISH TO USE THEM**

**priority seating decal
cx0000063132**

<i>ITEM PART NO. DESCRIPTION</i>	<i>QTY</i>	<i>ITEM PART NO. DESCRIPTION</i>	<i>QTY</i>
01 8970154 Decal, "Priority Seating"	1		
N/S 4370095 Steel, Coil .021 x 48.0 Painted	A/R		

**FORWARD FACING
WHEELCHAIR SECUREMENT LOCATION**



**WHEELCHAIR LOCATION SIGN
CX-000-900-3173**

<i>ITEM PART NO. DESCRIPTION</i>	<i>QTY</i>	<i>ITEM PART NO. DESCRIPTION</i>	<i>QTY</i>
01 8970800 LABEL, FWD FACING WHEELCHAIR	1		



Fasten seat belt sign
CX0000080066

ITEM PART NO.	DESCRIPTION	QTY	ITEM PART NO.	DESCRIPTION	QTY
01	8970607 vinyl, 15" x 150"	AR			
Made on site					



sign - emergency exit
cx-000-900-0155

<i>ITEM PART NO. DESCRIPTION</i>	<i>QTY</i>	<i>ITEM PART NO. DESCRIPTION</i>	<i>QTY</i>
01 8970607 Vinyl, 15" x 150' Black ("EMERGENCY EXIT")	AR		

PICTURE NOT AVAILABLE AT THIS TIME

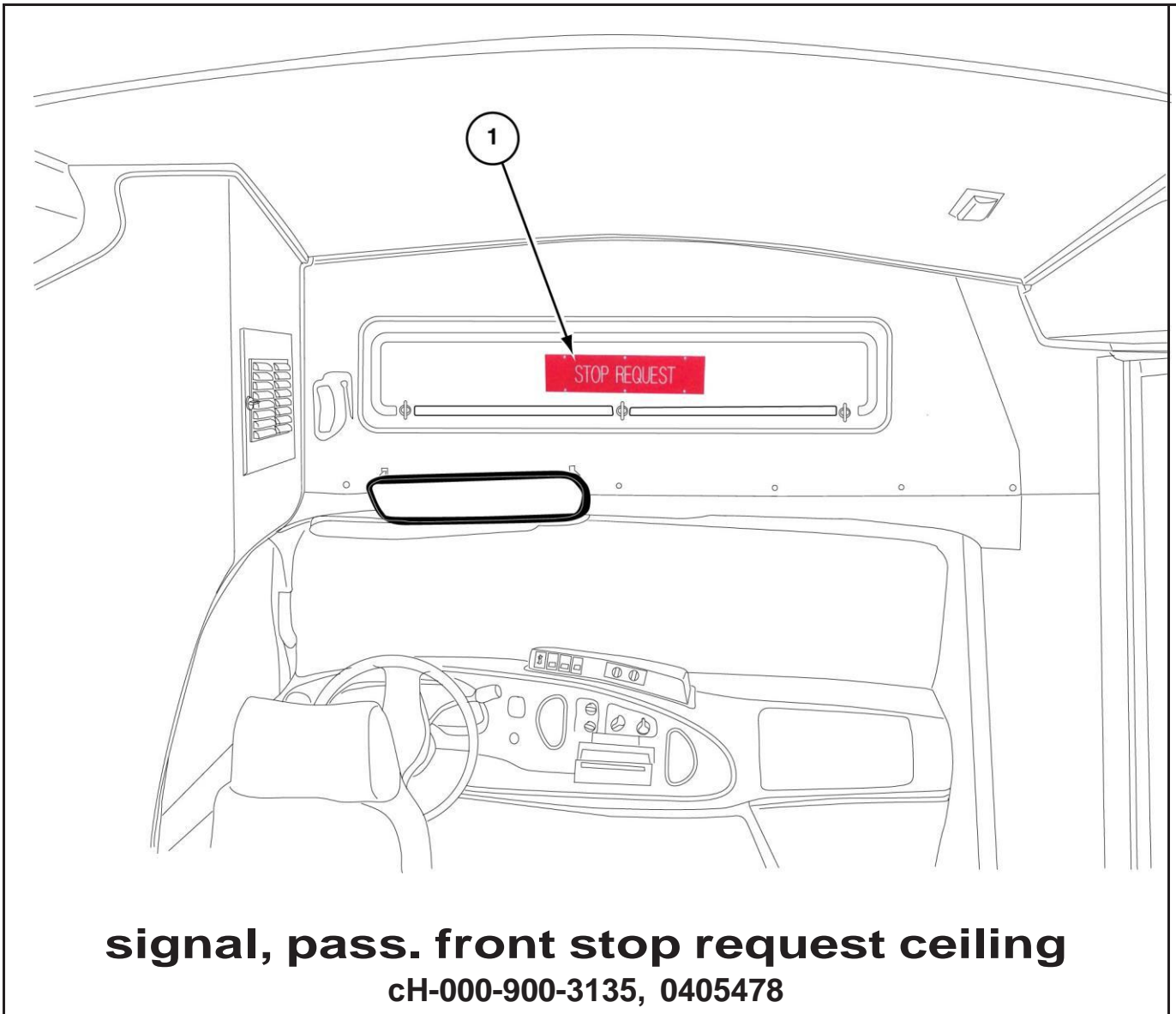
"WATCH YOUR STEP" SIGN
CX-000-900-0068 / CX0000080068

<i>ITEM PART NO.</i>	<i>DESCRIPTION</i>	<i>QTY</i>	<i>ITEM PART NO.</i>	<i>DESCRIPTION</i>	<i>QTY</i>
01	8970287 LABEL, WATCH YOUR STEP	1			

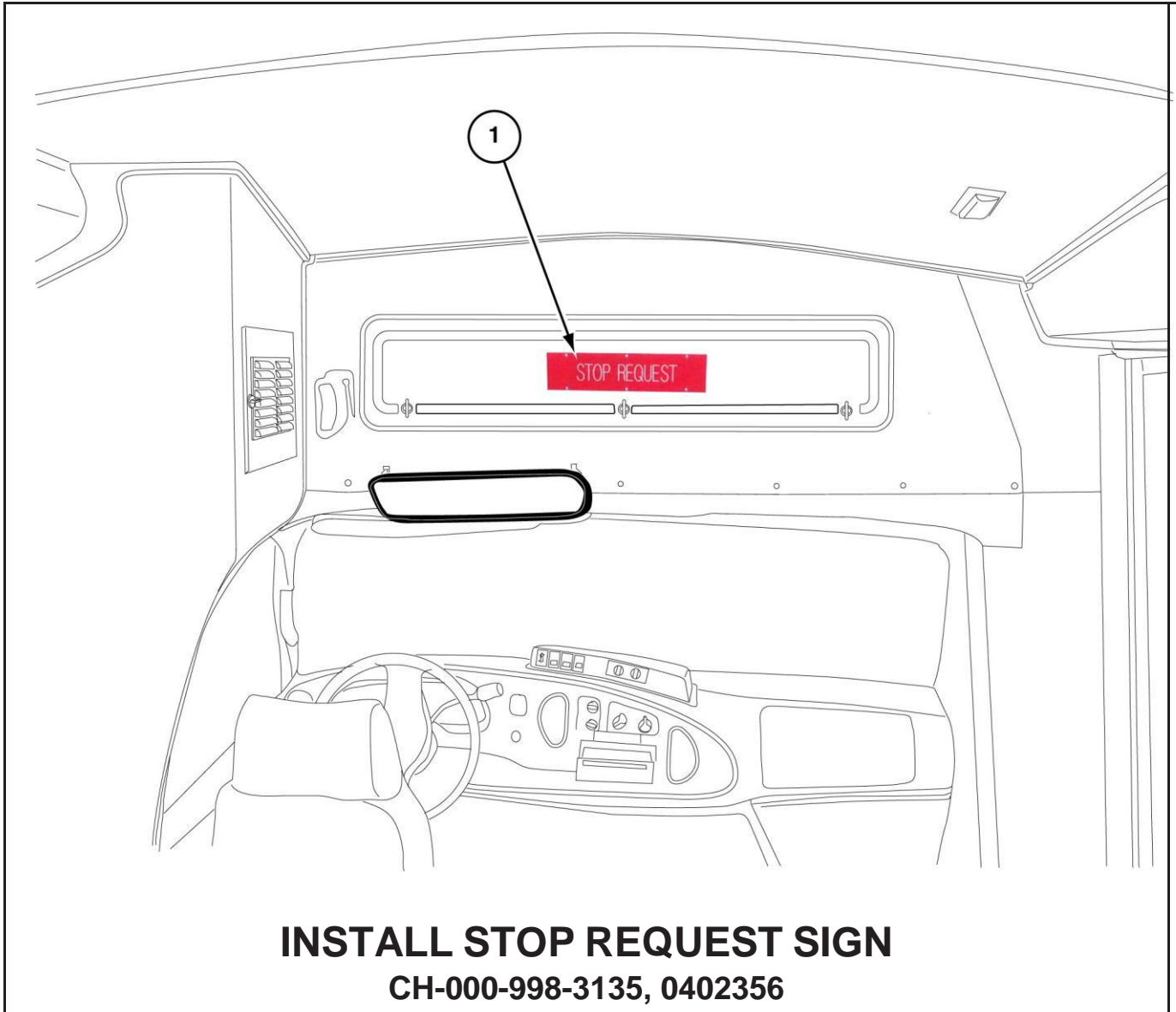
PICTURE NOT AVAILABLE AT THIS TIME

**"WELCOME ABOARD" DECAL
0420903**

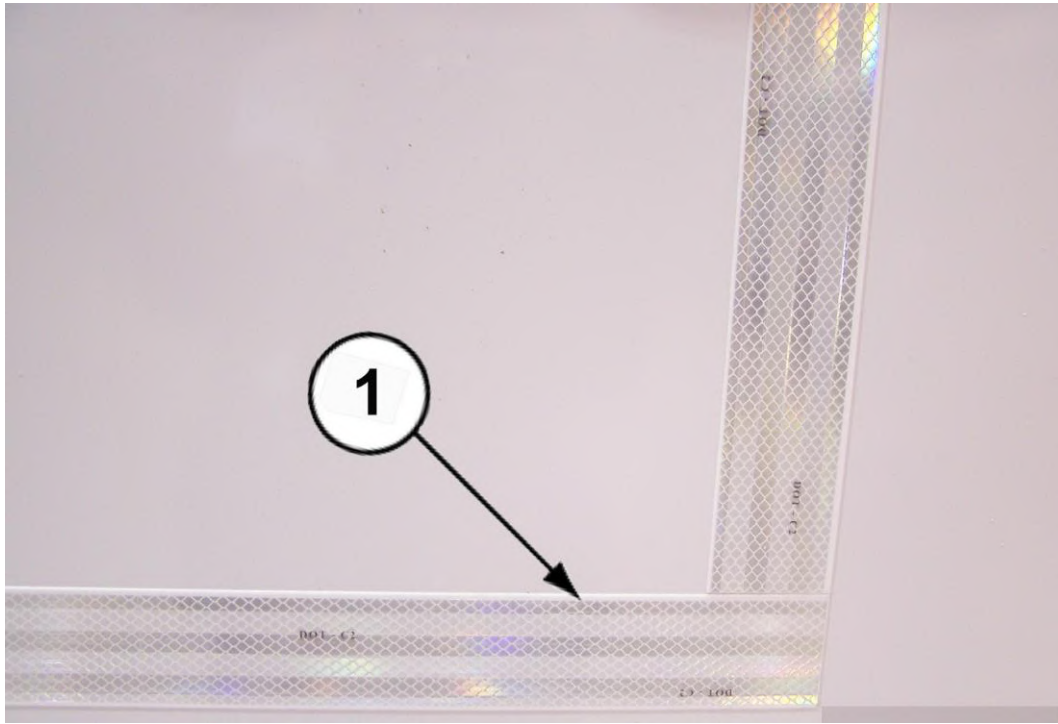
<u>ITEM</u>	<u>PART NO.</u>	<u>DESCRIPTION</u>	<u>QTY</u>	<u>ITEM</u>	<u>PART NO.</u>	<u>DESCRIPTION</u>	<u>QTY</u>
00	8970607	VINYL, 15" x 150' Black W/Out Perferation	AR				
	4342879	Steel, Coil .021 x 36.0 Painted	1				



<i>ITEM</i>	<i>PART NO.</i>	<i>DESCRIPTION</i>	<i>QTY</i>	<i>ITEM</i>	<i>PART NO.</i>	<i>DESCRIPTION</i>	<i>QTY</i>
	0405478	STOP REQUEST ABS ASSEMBLY			CH-000-900-3135	SIGNAL, PASS. FRONT STOP REQ	
01	8970789	SIGN, STOP REQUEST (LENS ONLY)	1	N/S	3973893	ACTUATOR, STOP REQUEST	1
N/S	3371094	SHROUD, STOP REQUEST HANGING	1	N/S	0350611	STEEL, FLAT 16GA x 6 x 28.0	1
N/S	8970410	TAPE, FOAM 3/8 x 1/2	A/R	N/S	0770041	TUBE, SHRINK 3/4" BLACK	A/R
N/S	0375669	BRACKET, LIGHT PASSENGER SIGNAL	1				
N/S	3971415	BULB, SIDE MARKER	4				
N/S	3972105	SOCKET, SINGLE CONTACT PUSH-N	4				
N/S	3971797	SWITCH, DRIVERS RESET	1				



<i>ITEM</i>	<i>PART NO.</i>	<i>DESCRIPTION</i>	<i>QTY</i>	<i>ITEM</i>	<i>PART NO.</i>	<i>DESCRIPTION</i>	<i>QTY</i>
01	8970542	SIGN, STOP REQUEST (LENS ONLY)	1				
N/S	3370798	GUARD, DOOR EDGE (150")	A/R				
N/S	8970528	TAPE, DOUBLE SIDED	A/R				
N/S	0374764	BRACKET, LIGHT MOUNTING	1				
N/S	3971415	BULB, SIDE MARKER	4				
N/S		SOCKET, SINGLE CONTACT PUSH-N	4				
N/S	3971798	LENS, EAO	1				
N/S	3971799	LENS, EAO	1				
N/S	3971797	SWITCH, DRIVERS RESET	1				
N/S	3971718	RELAY, NO/NC 12V 20/30A	1				



conspicuity tape - White 2"
cX0000050073

<i>ITEM PART NO. DESCRIPTION</i>	<i>QTY</i>	<i>ITEM PART NO. DESCRIPTION</i>	<i>QTY</i>
01 8970957 Tape, Conspicuity White 2" x 150'	A/R		



CHAMPION DECALS

0408312, CX0000080068, CX-000-900-0077

ITEMPART NO.	DESCRIPTION	ITEMPART NO.	DESCRIPTION
01 8940561	DECAL, PARATRANSIT	12 8970800	LABEL, "FWD FACING WHEELCHAIR SECUREMENT.. 1
02 8971006	LABEL, COVER MUST BE IN PLACE AT ALL TIMES	13 8970641	LABEL, "EMERGENCY EXIT" for Rear Door Ext & Inter 2
03	NOT USED		
04 8970154	DECAL, "PRIORITY SEATING"		CX0000080068 WATCH YOUR STEP SIGN
05 8944035	DECAL, "EMERGENCY EXIT"	NS 8970287	LABEL, "WATCH YOUR STEP" 1
06 8971012	DECAL, COOLING SYSTEM WAS CHECKED BY	NS 8970287	LABEL, "WATCH YOUR HEAD" 1
07 970971	LABEL, CONFORMITY TITLE 49 (CHAMPION)		CX-000-900-0077 SIGN, WATCH YOUR HEAD
08 8943433	DECAL, "NO SMOKING" (10 X 2-1/2)	NS 8970607	SIGN, "WATCH YOUR HEAD"
10 8980807	EMBLEM, BY CHAMPION		
	8971067 DECAL, THOR GREEN LEAF W/LIGHTNING BOLT		
11 8970487	LABEL, "STANDING FORWARD OF YELLOW LINE.. 1		

No smoking

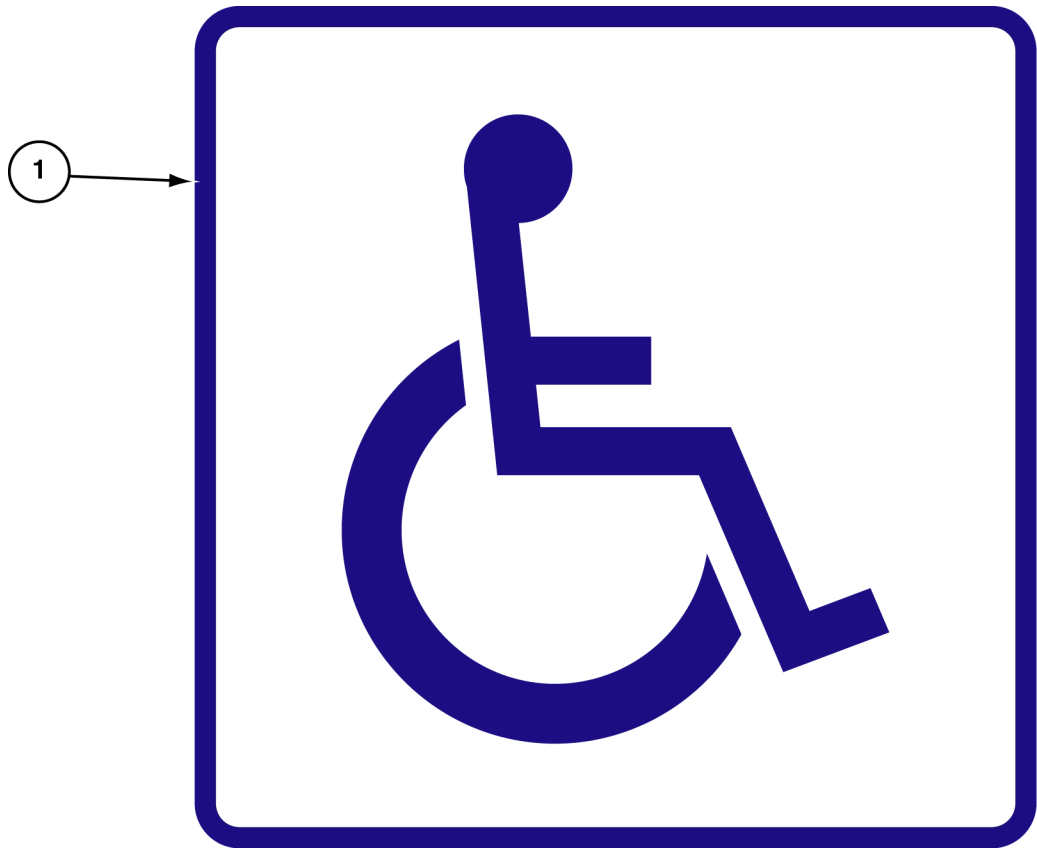
**NO SMOKING DECAL
CX-000-900-0022 / CX0000080022**

<i>ITEM</i>	<i>PARTNO.</i>	<i>DESCRIPTION</i>	<i>QTY</i>	<i>ITEM</i>	<i>PARTNO.</i>	<i>DESCRIPTION</i>	<i>QTY</i>
01	8943433	DECAL,NOSMCKINGLABEL (10" X 2½")	1				



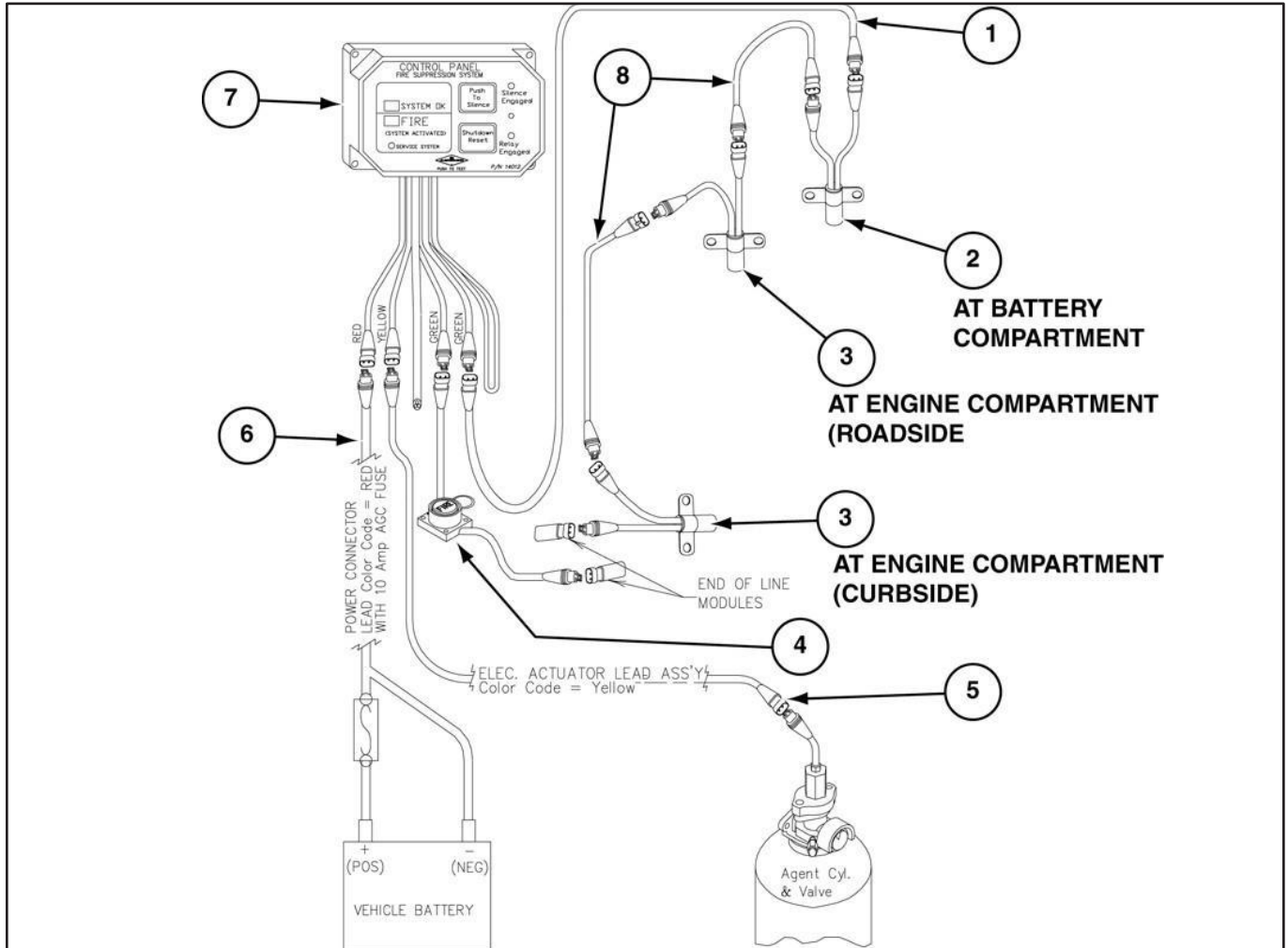
**paratransit decal (4" x 4")
0421519**

<i>ITEM</i>	<i>PART NO.</i>	<i>DESCRIPTION</i>	<i>QTY</i>	<i>ITEM</i>	<i>PART NO.</i>	<i>DESCRIPTION</i>	<i>QTY</i>
01	8970567	Decal, Paratransit (4 x 4)	1				



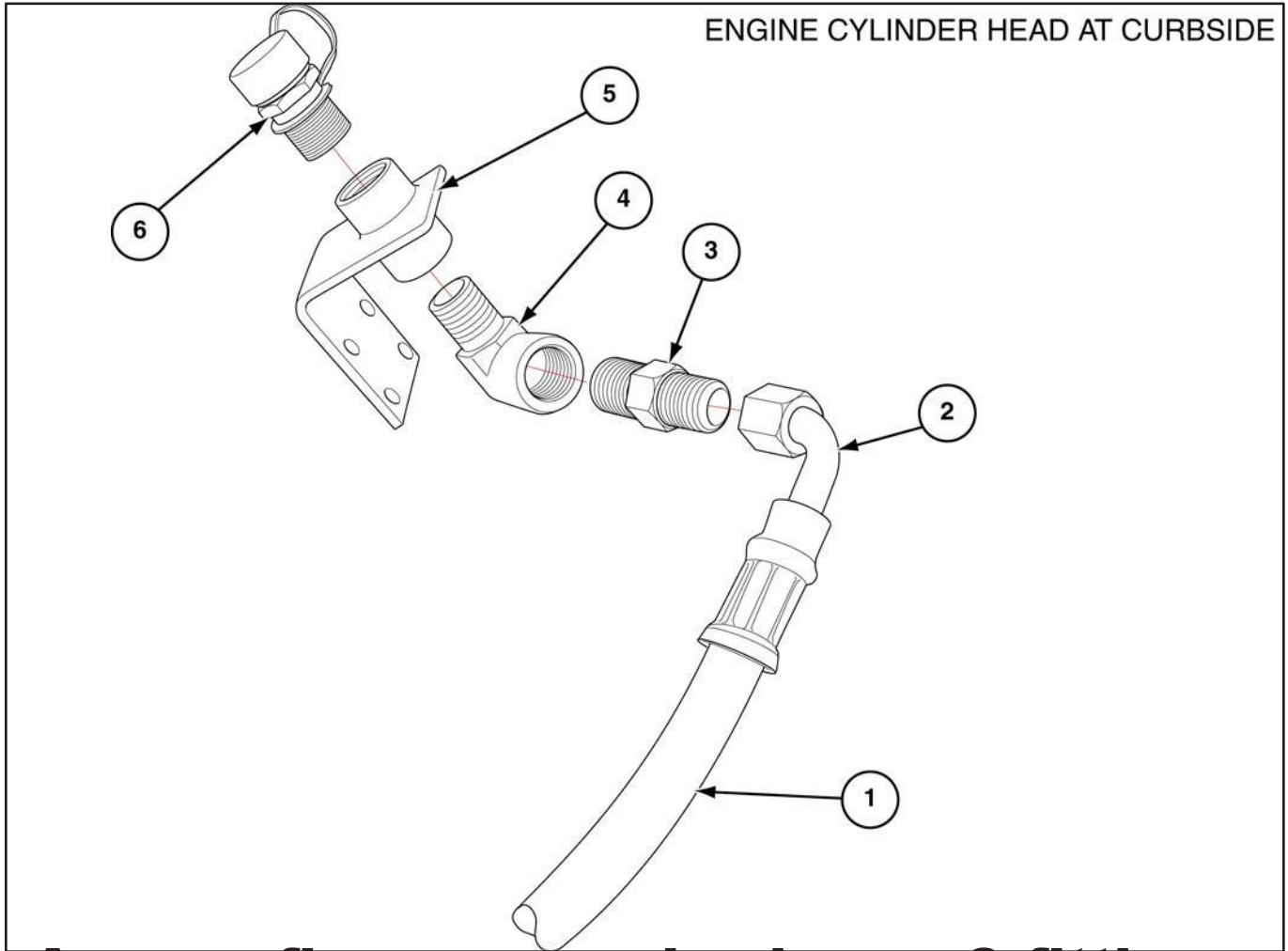
**INSTALL PARATRANSIT DECAL
CX0000063106**

<i>ITEM</i>	<i>PART NO.</i>	<i>DESCRIPTION</i>	<i>QTY</i>	<i>ITEM</i>	<i>PART NO.</i>	<i>DESCRIPTION</i>	<i>QTY</i>
01	8940561	DECAL, PARATRANSIT (8.75 x 8.75)	1				



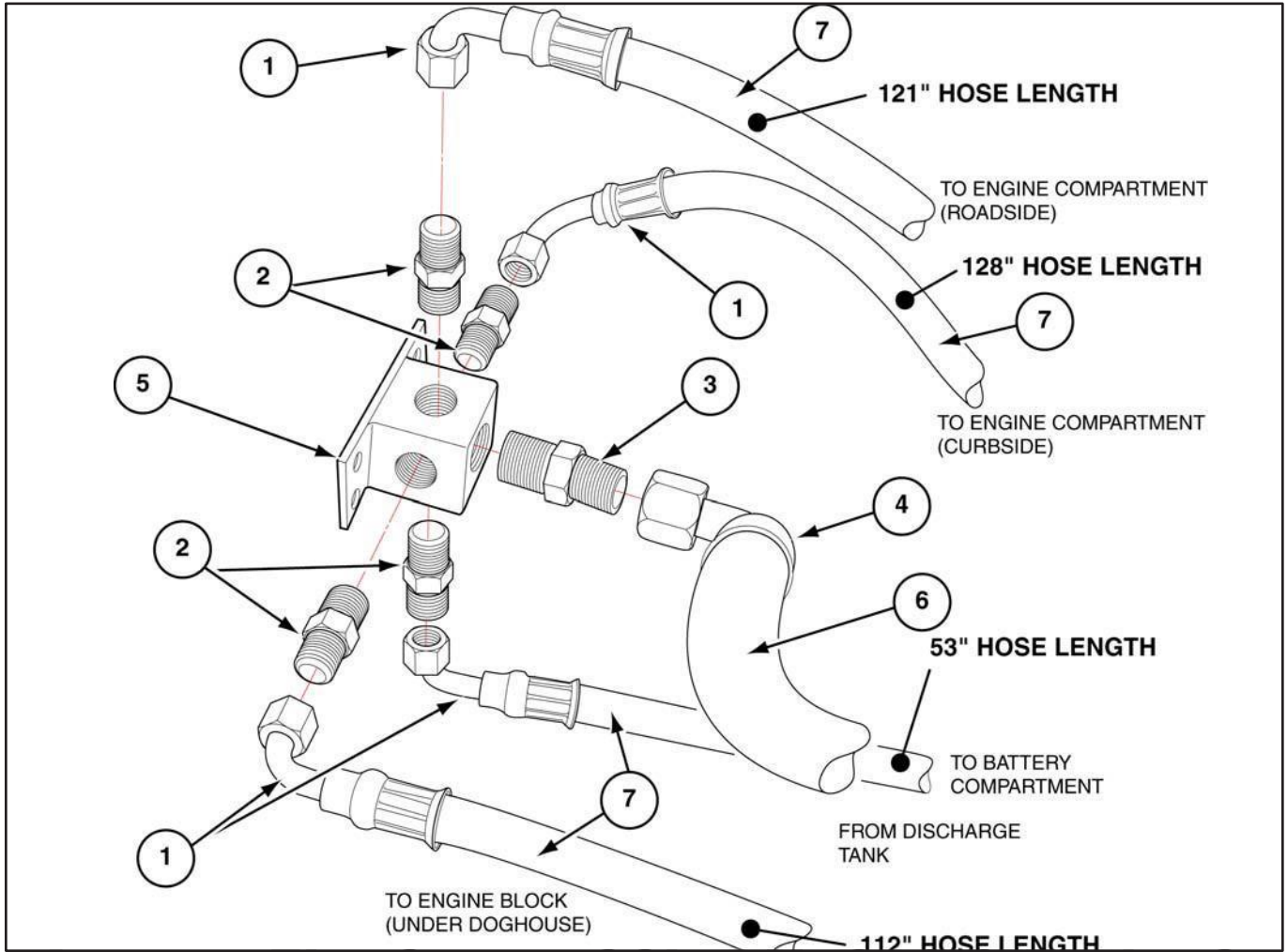
Amerex fire suppression wiring diAgrAm 0415686

ITEM	PART NO.	DESCRIPTION	QTY	ITEM	PART NO.	DESCRIPTION	QTY
1	6170427V	Lead, Thermostat (15')	1				
2	6170192V	Detector, Miniature 280°	1				
3	6170193V	Detector, Miniature 350°	2				
4	6170198V	Actuator, Manual Switch	1				
5	3973496V	Lead, Electric Actuator (20')	1				
06	6170426V	Lead, Power (15')	1				
7	3970194V	Panel Control	1				
8	6170194V	Lead, Modular Hazard (6')	2				



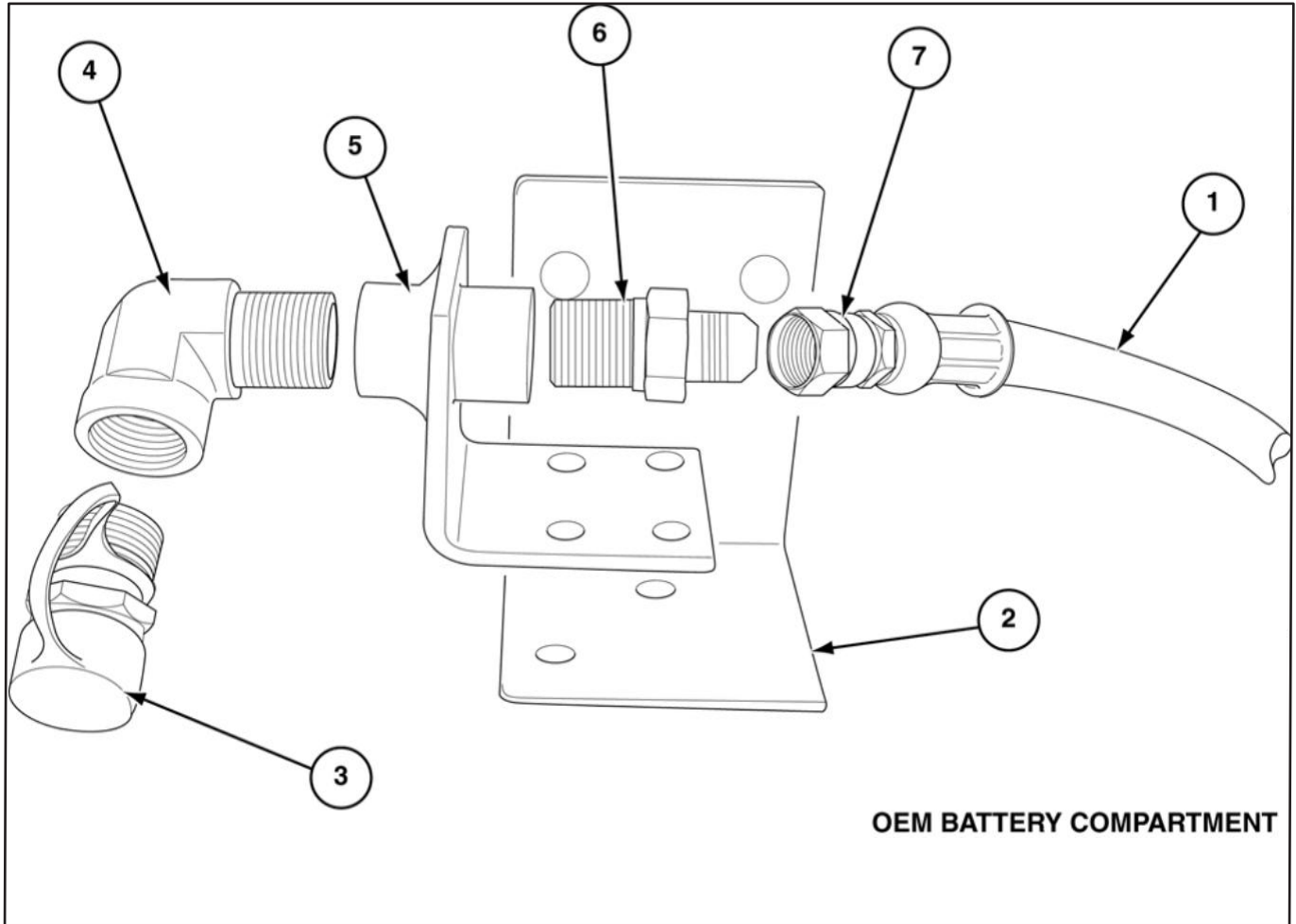
**Amerex fire suppression hoses & fittings
At curbside engine cylinder head
0415686**

<i>ITEM PART NO. DESCRIPTION</i>	<i>QTY</i>	<i>ITEM PART NO. DESCRIPTION</i>	<i>QTY</i>
1 2970949 Discharge Hose, 1/2"	A/R		
2 2970959 Fitting, Elbow 90° Swivel	1		
3 2970895 Fitting, Connector (1/2" MP x 1/2" FP)	1		
4 2971061 Fitting, Elbow Street 90°	1		
5 6170189V Bracket, Nozzle Cone	1		
6 6170188V Cone, Nozzle	1		
NS 0377874 Bracket, Nozzle Cone Bracket	1		



Amerex Fire Suppression Hoses & Fittings At DiStribution block 0415686

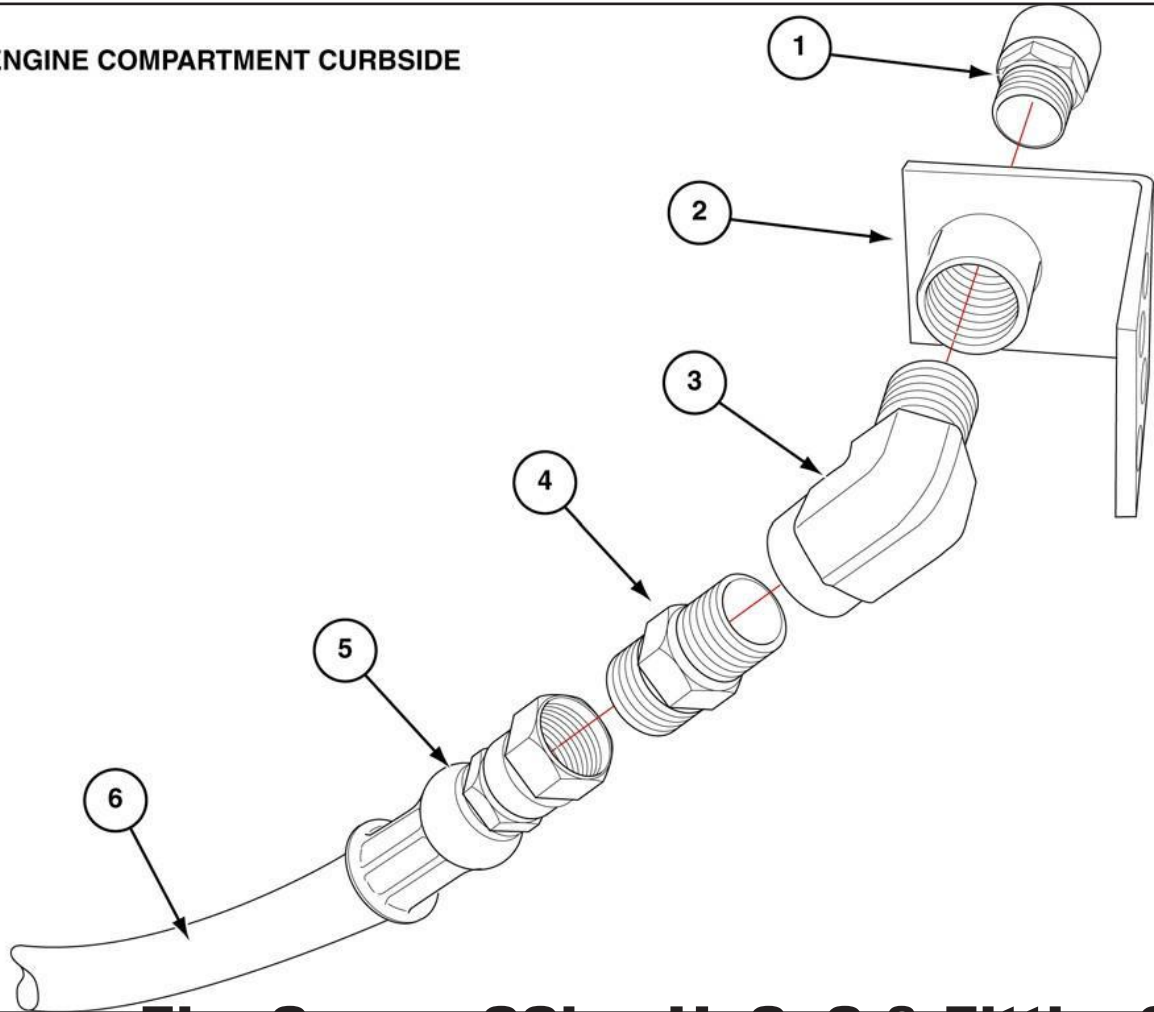
<i>ITEM PART NO. DESCRIPTION</i>	<i>QTY</i>	<i>ITEM PART NO. DESCRIPTION</i>	<i>QTY</i>
1 2970959 Fitting, Elbow 90° Swivel	4		
2 2970895 Fitting, Connector	4		
3 2970898 Fitting, Connector	1		
4 2970957 Fitting, Elbow Swivel 90°	1		
5 6170143V Distributor, Block	1		
6 2970950 Discharge Hose (3/4")	A/R		
7 2970949 Discharge Hose (1/2")	A/R		



**Amerex fire suppression hoses & fittings
At oem bAttery compArtment
0415686**

<i>ITEM PART NO. DESCRIPTION</i>	<i>QTY</i>	<i>ITEM PART NO. DESCRIPTION</i>	<i>QTY</i>
1 2970949 Discharge Hose, 1/2"	A/R		
2 0344542 Bracket, Amerex Nozzle Mounting	1		
3 6170188V Cone, Nozzle	1		
4 2971061 Fitting, Steet Elbow 90° (1/2MP x 1/2"FP)	1		
5 6170178V Bracket, Amerex Nozzle Cone	1		
6 2970895 Fitting, Connector (1/2 Tube x 1/2"MPT)	1		
7 2970958 Fitting, Hose (1/2" Straight Female)	1		

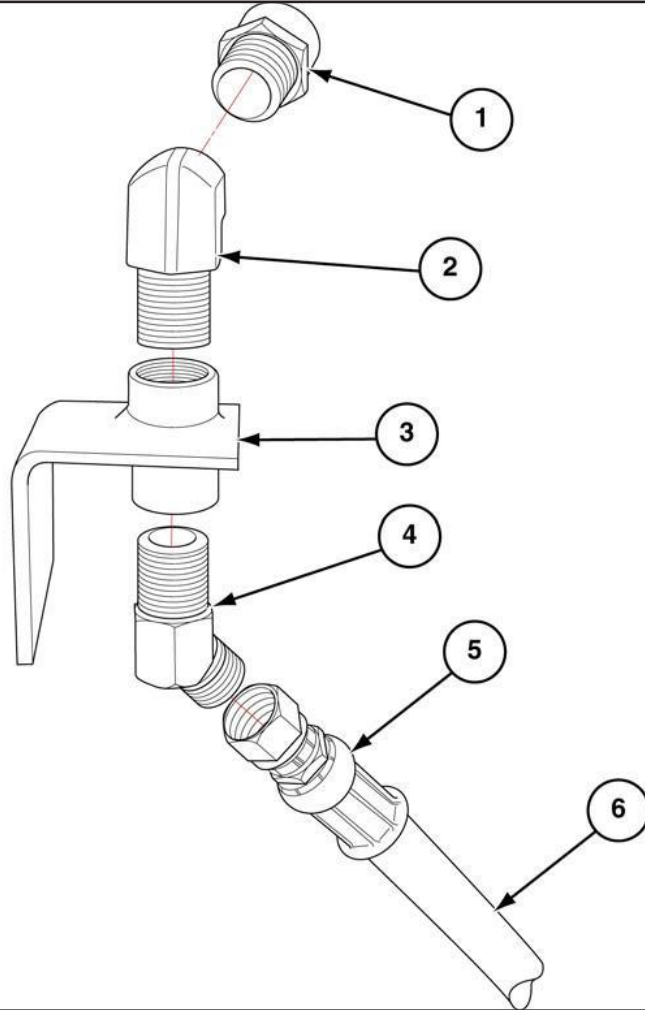
ENGINE COMPARTMENT CURBSIDE



Amerex Fire Suppression Hoses & Fittings
At engine Compartment CurbSide
0415686

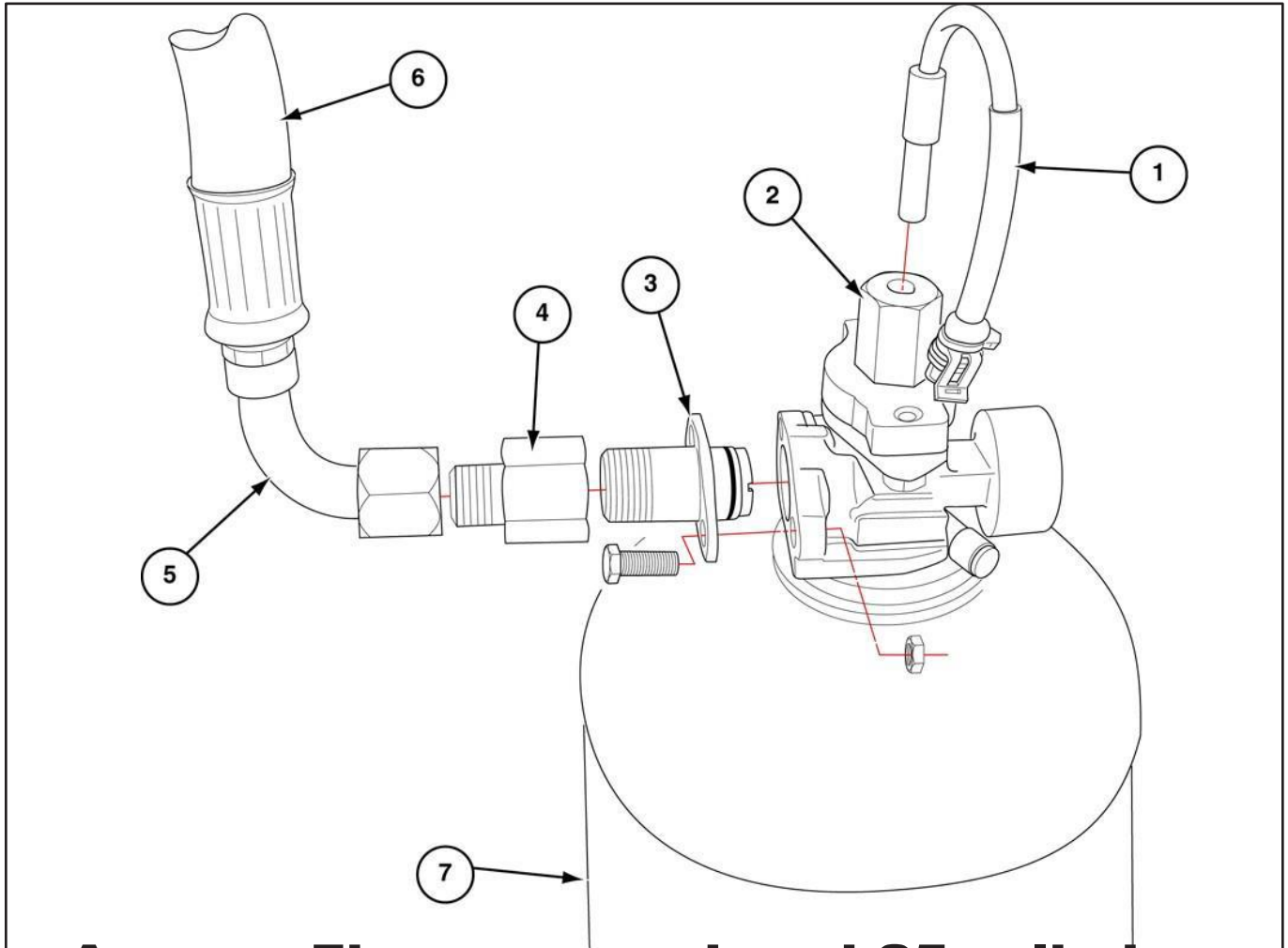
<i>ITEM PART NO. DESCRIPTION</i>	<i>QTY</i>	<i>ITEM PART NO. DESCRIPTION</i>	<i>QTY</i>
1 6170188V Nozzle, Cone	1		
2 6170189V Bracket, Nozzle Cone	1		
3 2971061 Fitting, Elbow Street 90°	1		
4 2970895 Fitting, Connector (½ Tube x ½"MPT)	1		
5 2970958 Fitting, Straight Swivel (1		
6 2970949 Discharge Hose (½")	A/R		

**ENGINE COMPARTMENT
ROADSIDE**



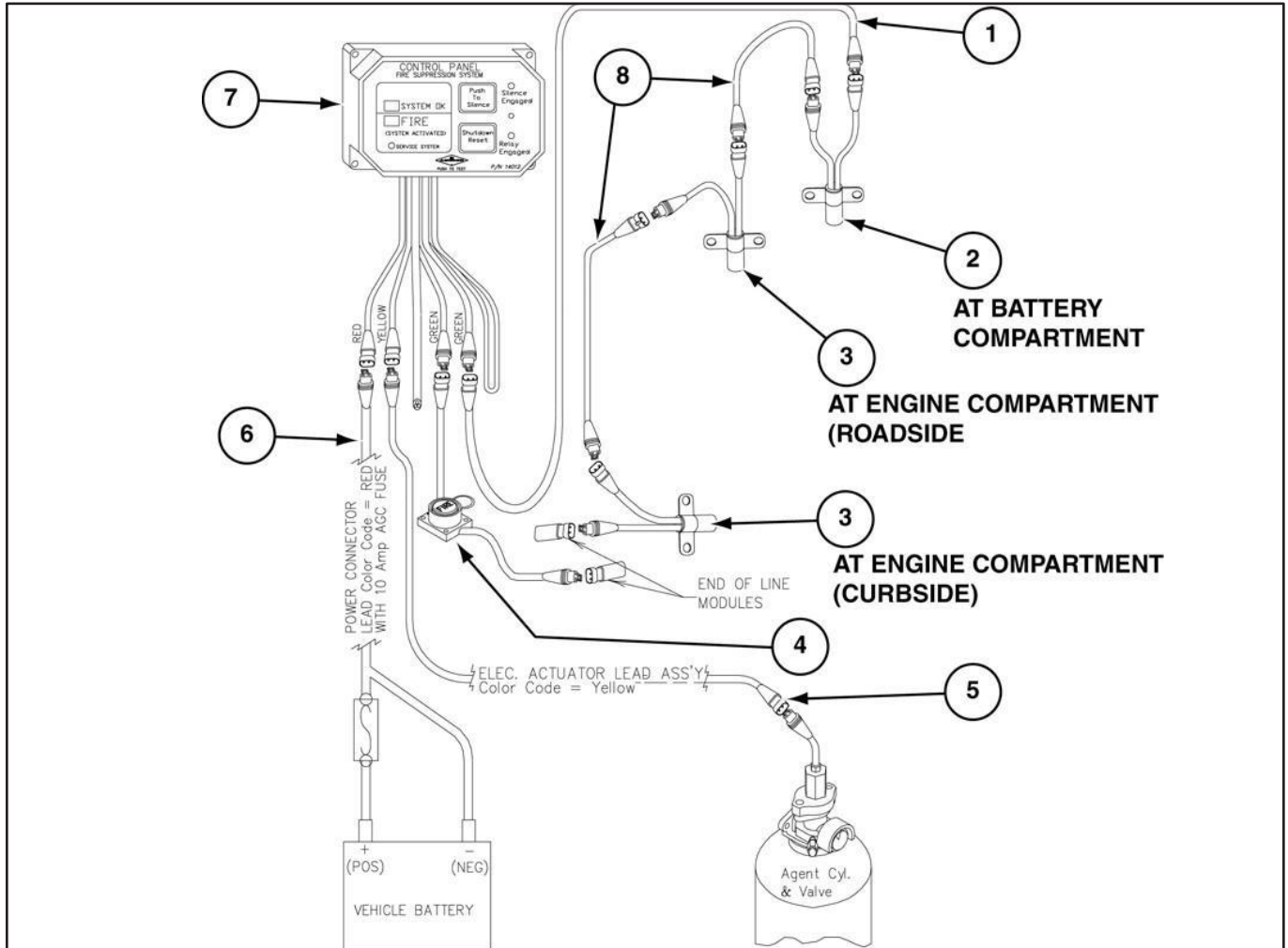
Amerex Fire Suppression Hoses & Fittings
At engine Compartment roadside
0415686

<i>ITEM PART NO. DESCRIPTION</i>	<i>QTY</i>	<i>ITEM PART NO. DESCRIPTION</i>	<i>QTY</i>
1 6170188V Nozzle, Cone	1		
2 2971061 Fitting, 90° Street Elbow	1		
3 6170179V Bracket, Nozzle Cone	1		
04 2971062 Fitting, 45° (1/2 MPx1/2" MPT)	1		
5 2970958 Fitting, Hose (1/2" Straight Female)	1		
6 2970949 Discharge Hose	A/R		



**Amerex Fire suppression vh25 cylinder
sub-Assembly
0415686**

<i>ITEM PART NO. DESCRIPTION</i>	<i>QTY</i>	<i>ITEM PART NO. DESCRIPTION</i>	<i>QTY</i>
1 6170197V Actuator, Electric	1		
2 6170796V Control, Modular Head	1		
3 6170186V Kit, Discharge Fitting	1		
4 2670897 Fitting, Connector	1		
5 3970957 Fitting, Elbow Swivel 90°	1		
6 2970950 Hose, Discharge (3/4")	A/R		
7 6170141 Cylinder, 25lb Fire Suppression	1		



Amerex fire suppression wiring diAgrAm 0415686

ITEM	PART NO.	DESCRIPTION	QTY	ITEM	PART NO.	DESCRIPTION	QTY
1	6170427V	Lead, Thermostat (15')	1				
2	6170192V	Detector, Miniature 280°	1				
3	6170193V	Detector, Miniature 350°	2				
4	6170198V	Actuator, Manual Switch	1				
5	3973496V	Lead, Electric Actuator (20')	1				
06	6170426V	Lead, Power (15')	1				
7	3970194V	Panel Control	1				
8	6170194V	Lead, Modular Hazard (6')	2				



fogmaker fire suppression system 0420916

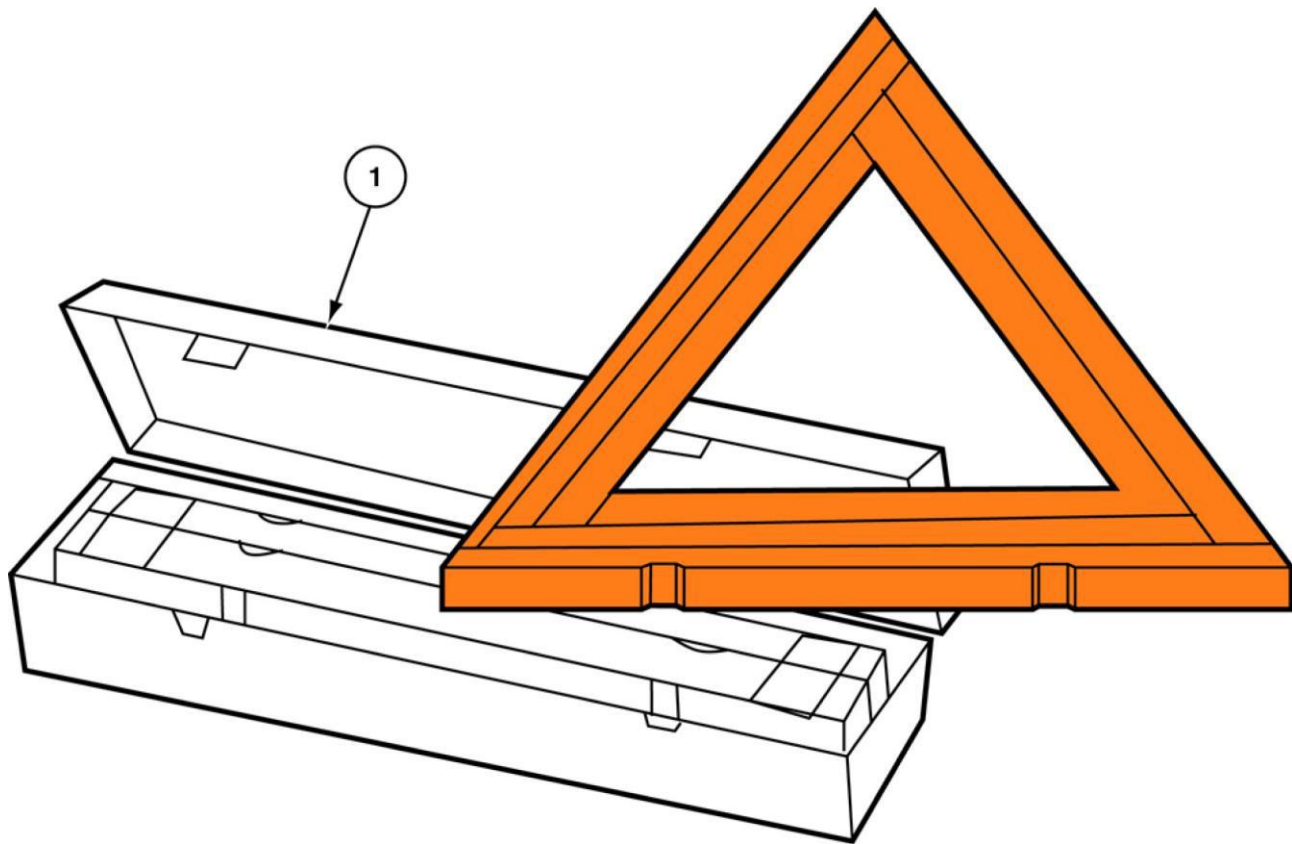
ITEM	PART NO.	DESCRIPTION	QTY	ITEM	PART NO.	DESCRIPTION	QTY
00	6170615	Suppression, Fire Fogmaker F550 Ford	1			Brace, Clamps 12/12 W1	1
		Alarm, W/Buzzer/NO/NC Switch	1			Brace, Clamps 8/12 W1	9
		Alarm Switch Assy - Dashboard (12V)	1			Brace, Clamps 8/12	4
		Hydo-Pneumatic Det. Cylinder T-F-24 Bar	1			10' Wire Harness/1747 Alarm to 14 Bar	1
		Fogmaker Univer. 4,02K Pneumatic Actuator	1			10' Wire Harness/Spade/SW to 1747 Alarm	2
		Heavy Duty Clamp	2				
		Assy Fitting /Bracket Univ. 4.0L	1				
		Nipple 1/4 Outside Thread	1				
		Wire Tie, 8.85" , .30 Width/120 LB.	5				
		Kit - Detector/Tubing/CBI F550 DSL	1				
		Kit - Stainless/Tubing/F550	1				
		HP Hose - Straight/ 90" / 90 Degree	1				
		Mount, Det. to PA/Hose Clamps/Stainless	2				

NOTE: Call you Parts Representative for more detailed information.



**Fireproof blanket w/ pouch
0412187**

<i>ITEM PART NO. DESCRIPTION</i>	<i>QTY</i>	<i>ITEM PART NO. DESCRIPTION</i>	<i>QTY</i>
01 6170352 Install, Blanket Fireproof W/ Pouch	1		



reflective warning triangle

cX0000072827 / CX-000-900-2827

<i>ITEM</i>	<i>PART NO.</i>	<i>DESCRIPTION</i>	<i>QTY</i>	<i>ITEM</i>	<i>PART NO.</i>	<i>DESCRIPTION</i>	<i>QTY</i>
01	6140792	KIT, TRIANGLE WARNING #449	1				
N/S	8570715	SCREW (10 x 5/8 PAN PHIL BLACK OXIDE)	4				
N/S	8570743	SCREW (10 x 3/4 PAN QUADREX BLACK)	4				



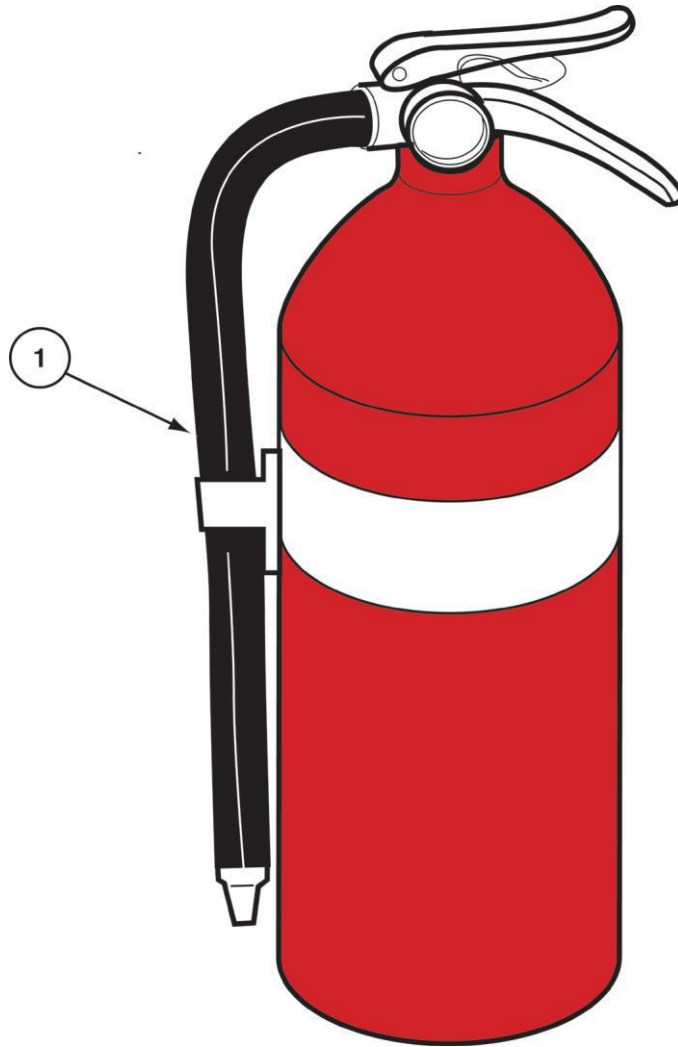
**BLOODBORNE DISEASE KIT
CX-000-900-4035 / CX0000074035**

<i>ITEM</i>	<i>PART NO.</i>	<i>DESCRIPTION</i>	<i>QTY</i>	<i>ITEM</i>	<i>PART NO.</i>	<i>DESCRIPTION</i>	<i>QTY</i>
01	6170139	KIT, BODILY FLUIDS DISPOSAL #2550	1				



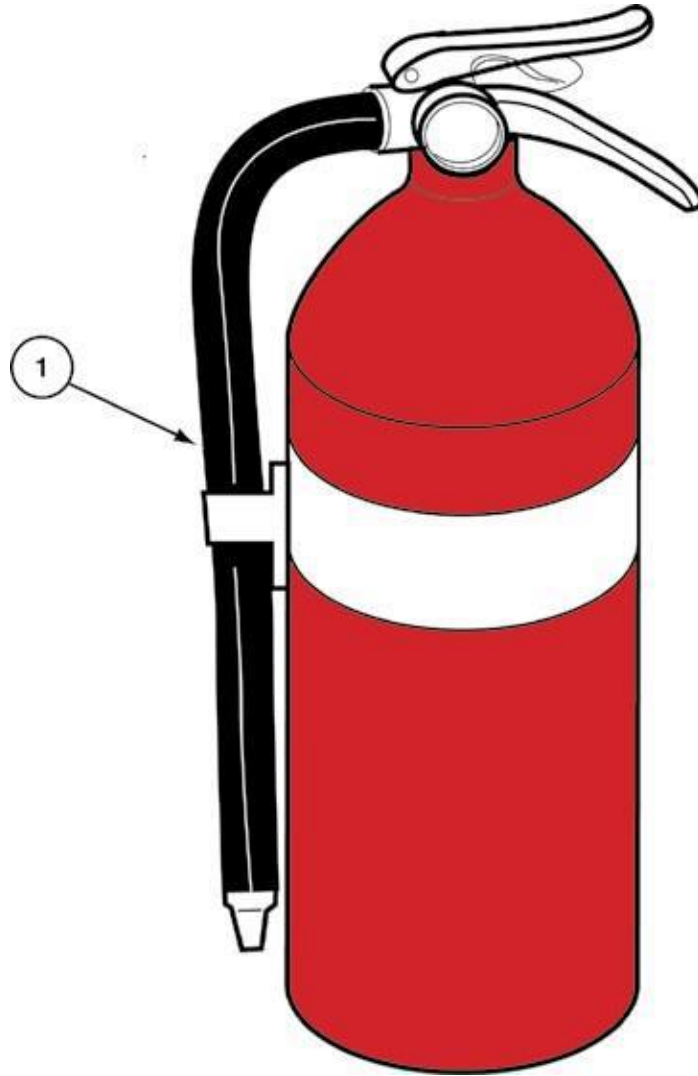
**BIO HAZARD KIT
0412189**

<i>ITEM PARTNO. DESCRIPTION</i>	<i>QTY</i>	<i>ITEM PARTNO. DESCRIPTION</i>	<i>QTY</i>
01 6170353 KIT, BIO-HAZARD (2555OVERSIZED)	1		



5lb fire extinguisher
Cx-000-900-0603 / Cx0000070603

<i>ITEM</i>	<i>PART NO.</i>	<i>DESCRIPTION</i>	<i>QTY</i>	<i>ITEM</i>	<i>PART NO.</i>	<i>DESCRIPTION</i>	<i>QTY</i>
01	6170108	EXTINGUISHER, FIRE (5 LB.)	1				
N/S	8570945	SCREW (10 x 3/4 PAN QUAD)	4				



10 LB Fire extinguisher
cx-000-900-3034/cx0000073034

ITEM	PART NO.	DESCRIPTION	QTY	ITEM	PART NO.	DESCRIPTION	QTY
01	6170110	Extinguisher, Fire (10 lb.)	1				
N/S	6170109	Bracket, Extinguisher	1				
N/S	8570931	Screw (8x1) Pan Quad Tek Clear Empiguard	1				



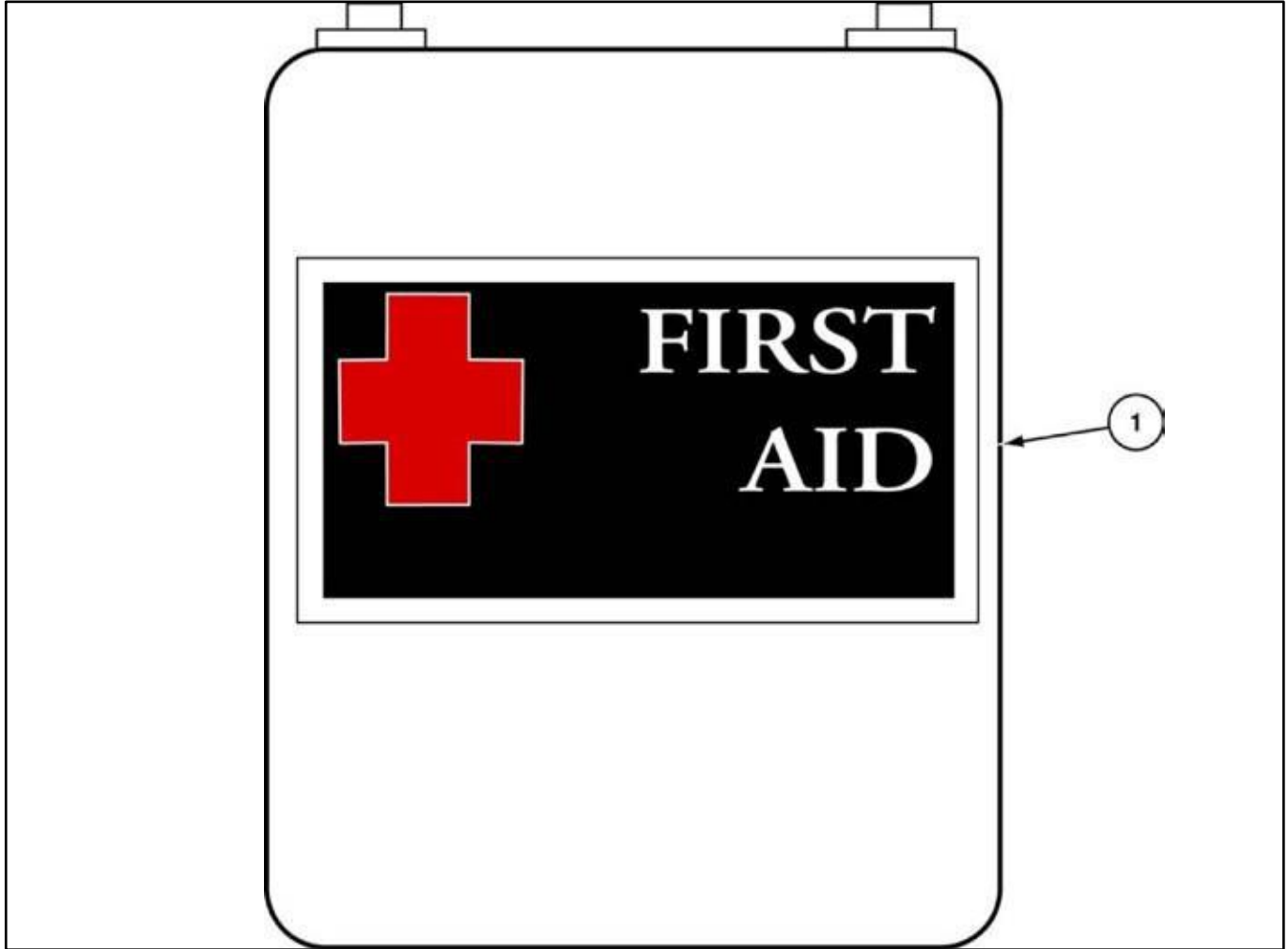
FIRST AID KIT (13 UNITS)
CX-000-900-0604 / CX0000070604

<i>ITEM PART NO. DESCRIPTION</i>	<i>QTY</i>	<i>ITEM PART NO. DESCRIPTION</i>	<i>QTY</i>
01 6140784 KIT, FIRST AID SMALL WITH BUS FILL	1		
N/S 8570946 SCREW, (1" x 1/2) PAN QUAD EMPGD CLEAR	3		



large first aid kit
CX0000073036 - CX-000-900-3036

ITEM	PART NO.	DESCRIPTION	QTY	ITEM	PART NO.	DESCRIPTION	QTY
01	6140719	KIT, FIRST AID (LARGE)	1				



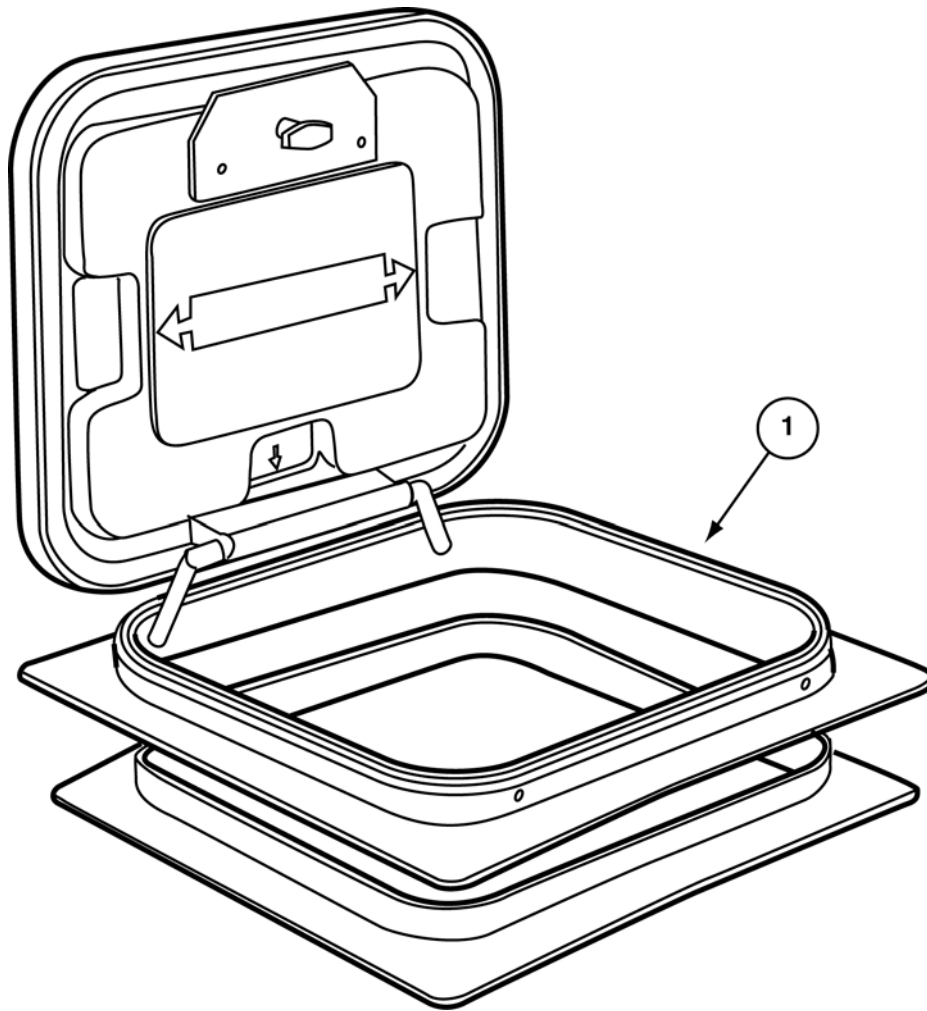
first aid kit
0410293/cx0000073036

<i>ITEM PART NO. DESCRIPTION</i>	<i>QTY</i>	<i>ITEM PART NO. DESCRIPTION</i>	<i>QTY</i>
01 6170301 Kit, First Aid (29 Unit)	1		



**first aid kit (50 Pc) W1-Way airWay
0418443**

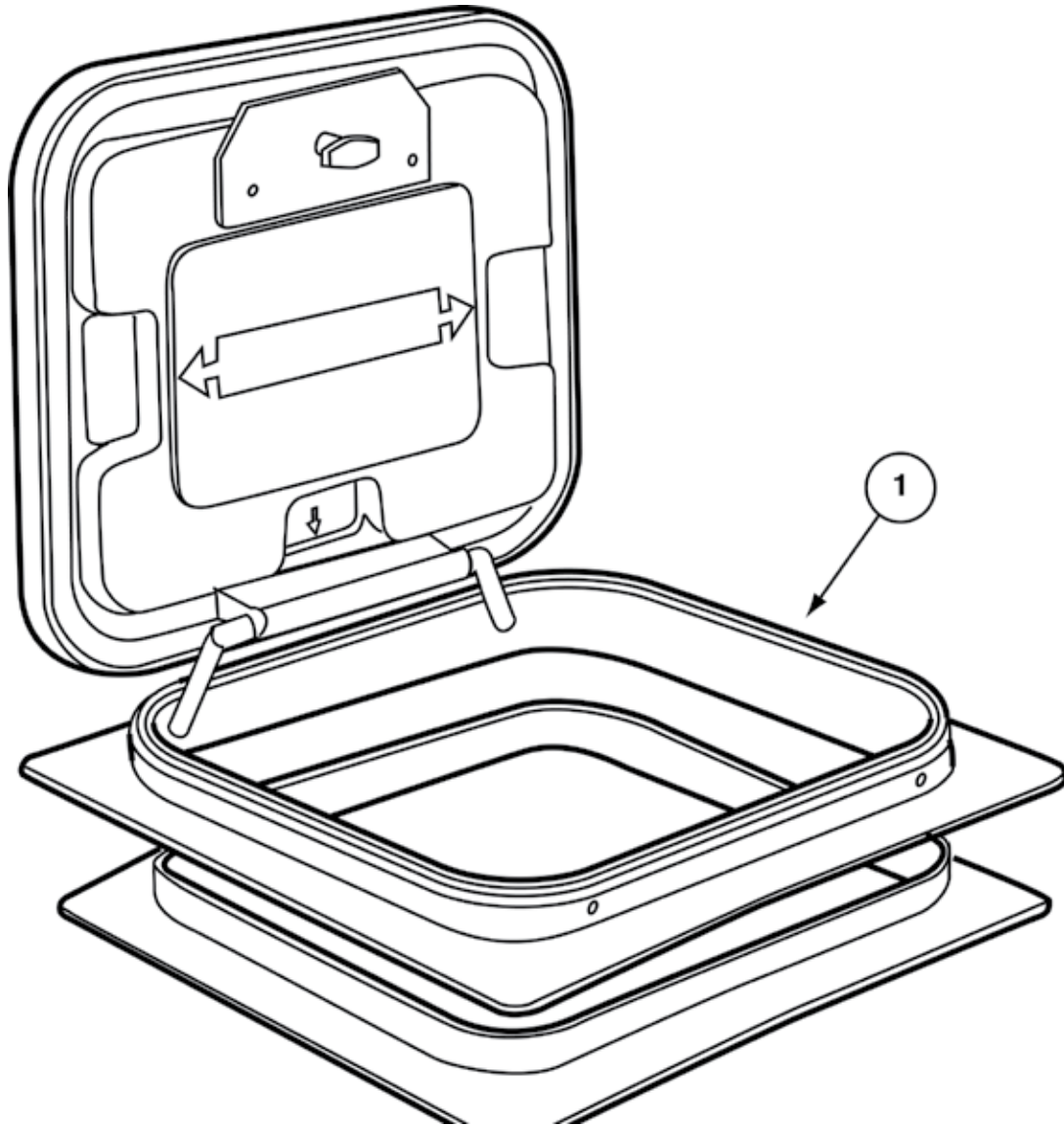
<i>ITEM PART NO. DESCRIPTION</i>	<i>QTY</i>	<i>ITEM PART NO. DESCRIPTION</i>	<i>QTY</i>
00 6170479 Kit, First Aid 50 PC W/1-Way Airway	1		



ESCAPE HATCH

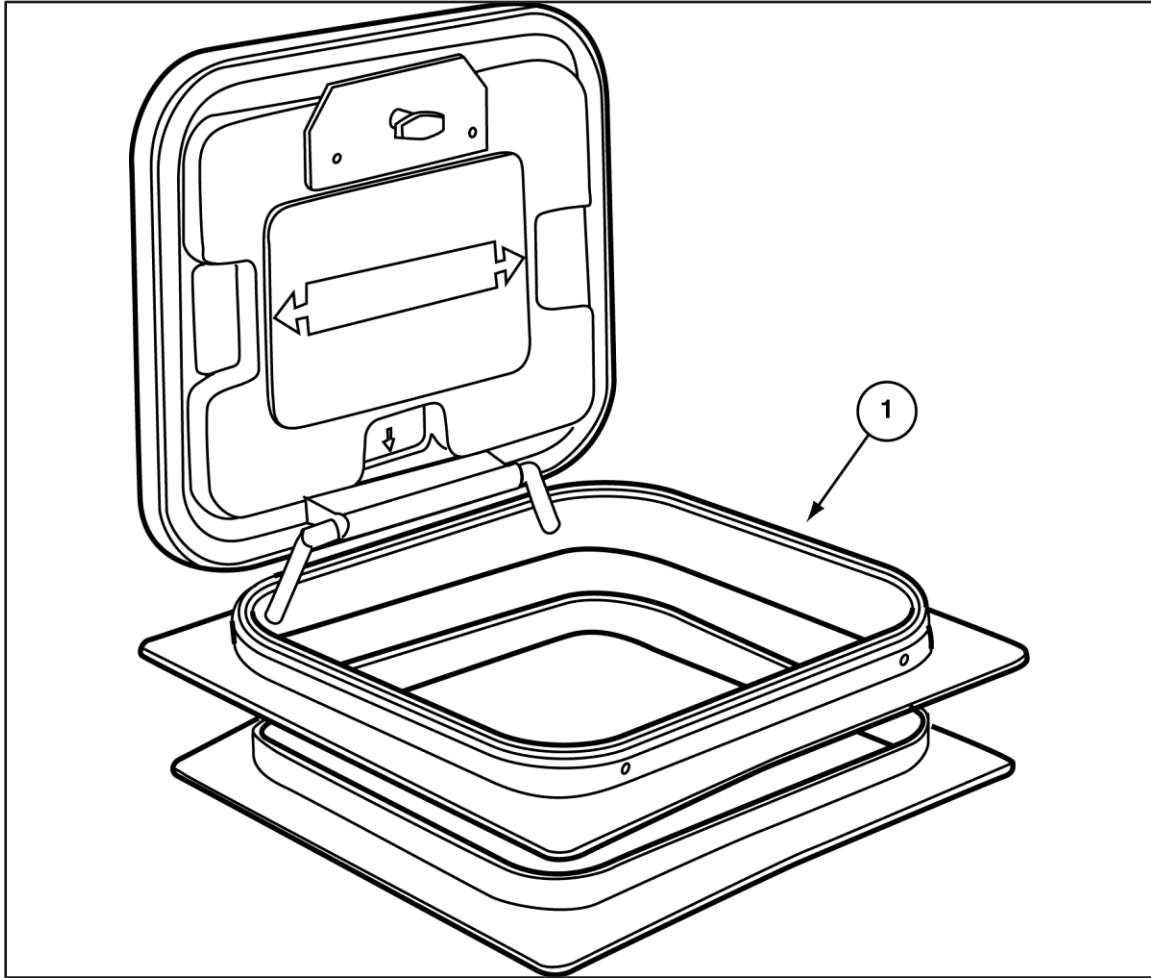
0408763 / CX0000074004

<i>ITEM</i>	<i>PARTNO.</i>	<i>DESCRIPTION</i>	<i>QTY</i>	<i>ITEM</i>	<i>PARTNO.</i>	<i>DESCRIPTION</i>	<i>QTY</i>
01	1770663	HATCH,ESCAPENON-STATIC	1				
NS	8970397	SEAL, COMPRESSION(1/8 x 3/4 x 45)	A/R				



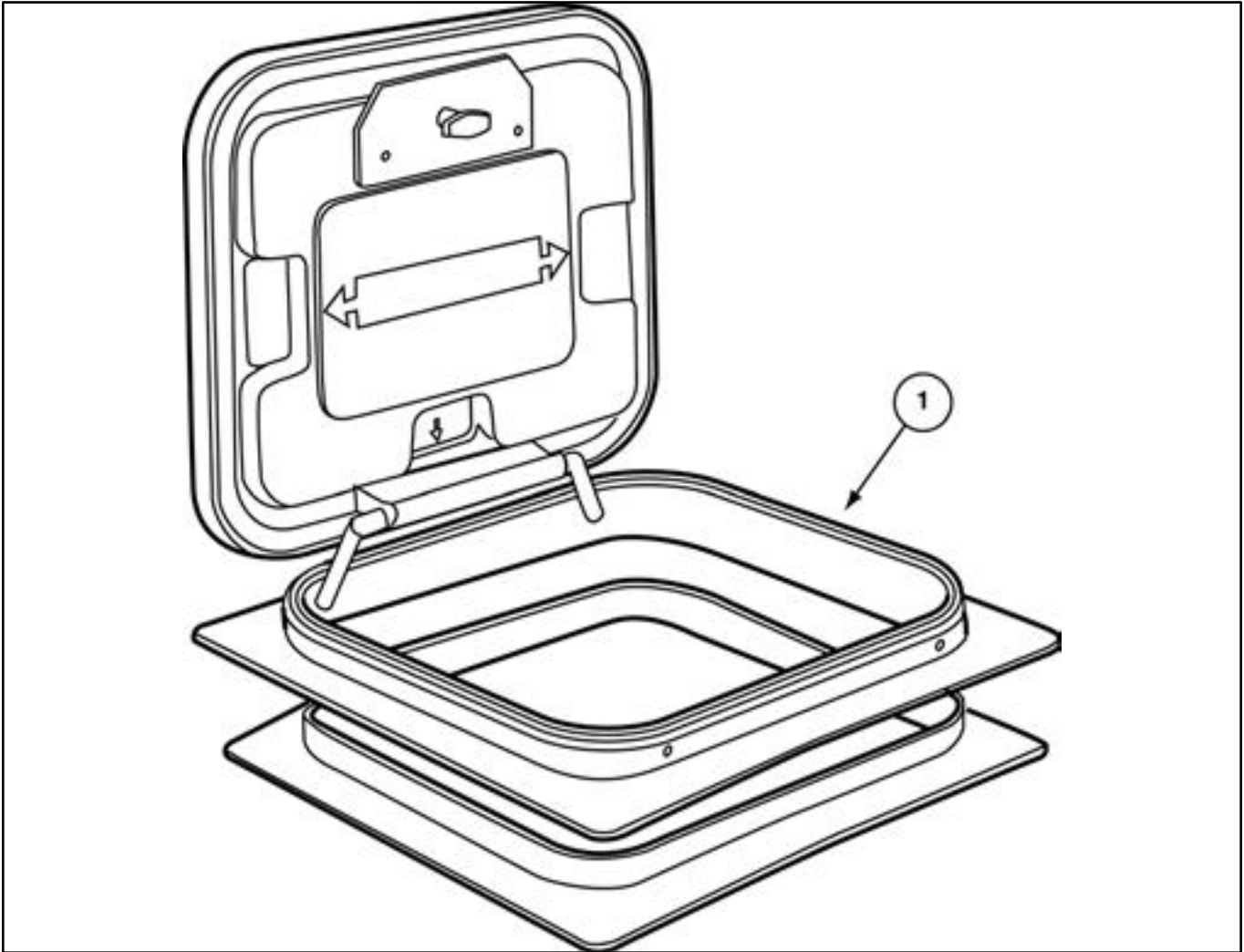
escape hatch standard contoured
cx0000070006

ITEM	PART NO.	DESCRIPTION	QTY	ITEM	PART NO.	DESCRIPTION	QTY
01	1770670	Hatch, Roof Specialty Full Pop Up	1				
N/S	8970397	Seal, Compression (1/8 x 3/4 x 45')	A/R				



escape hatch, deluxe
cx0000074003

<i>ITEM PART NO. DESCRIPTION</i>	<i>QTY</i>	<i>ITEM PART NO. DESCRIPTION</i>	<i>QTY</i>
01 1770657 Hatch, Excape W/Switch Outer RLS	1		
NS 8970397 Seal, Compri 1/8 x 3/4 x 45'	AR		



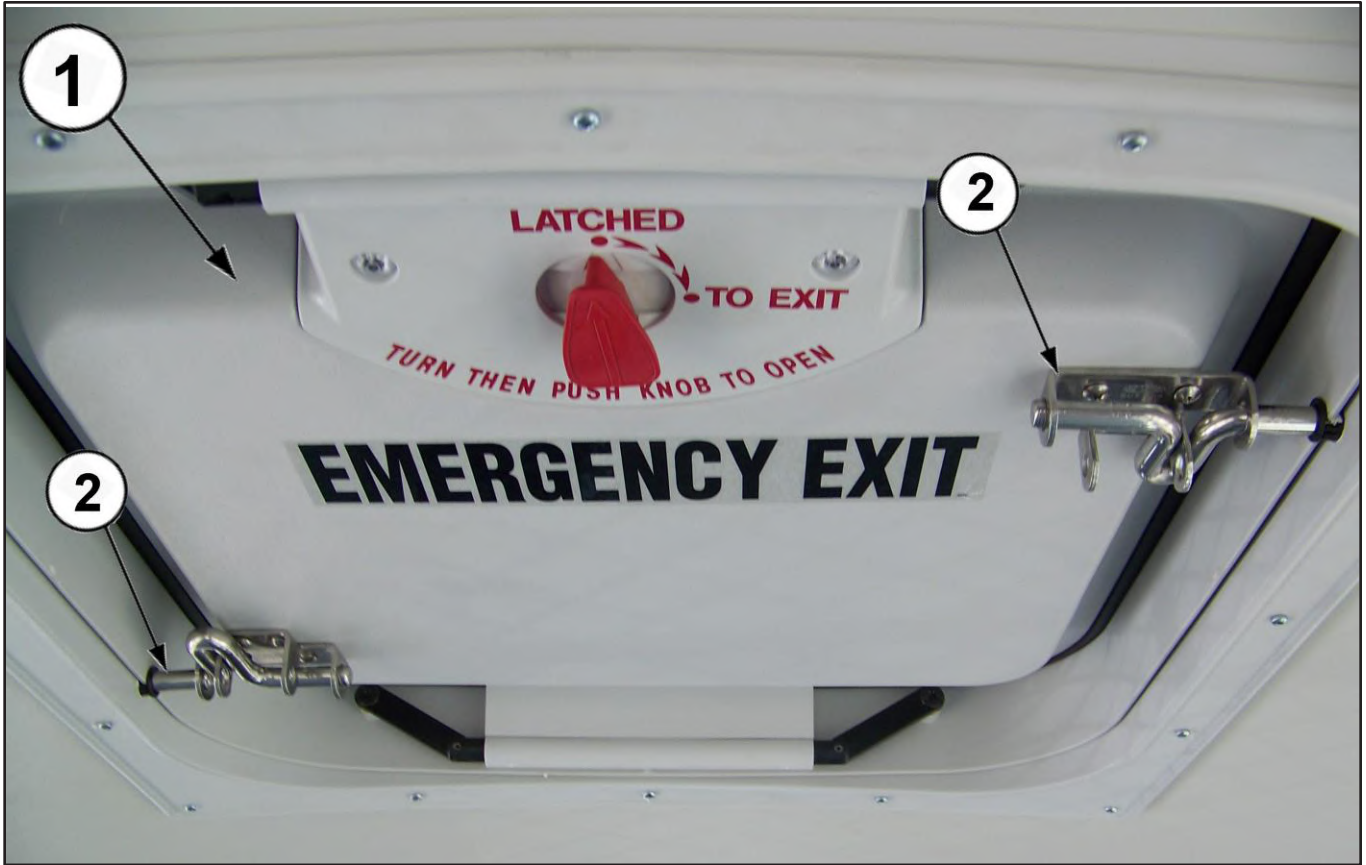
**transpec escape hatch ssvii white
0413067**

<i>ITEM</i>	<i>PART NO.</i>	<i>DESCRIPTION</i>	<i>QTY</i>	<i>ITEM</i>	<i>PART NO.</i>	<i>DESCRIPTION</i>	<i>QTY</i>
01	1771033	Hatch, Transpec Escape SSVII (White)	1				
NS	8970397	Seal, Compression (1/8 x 3/4 x 45')	AR				



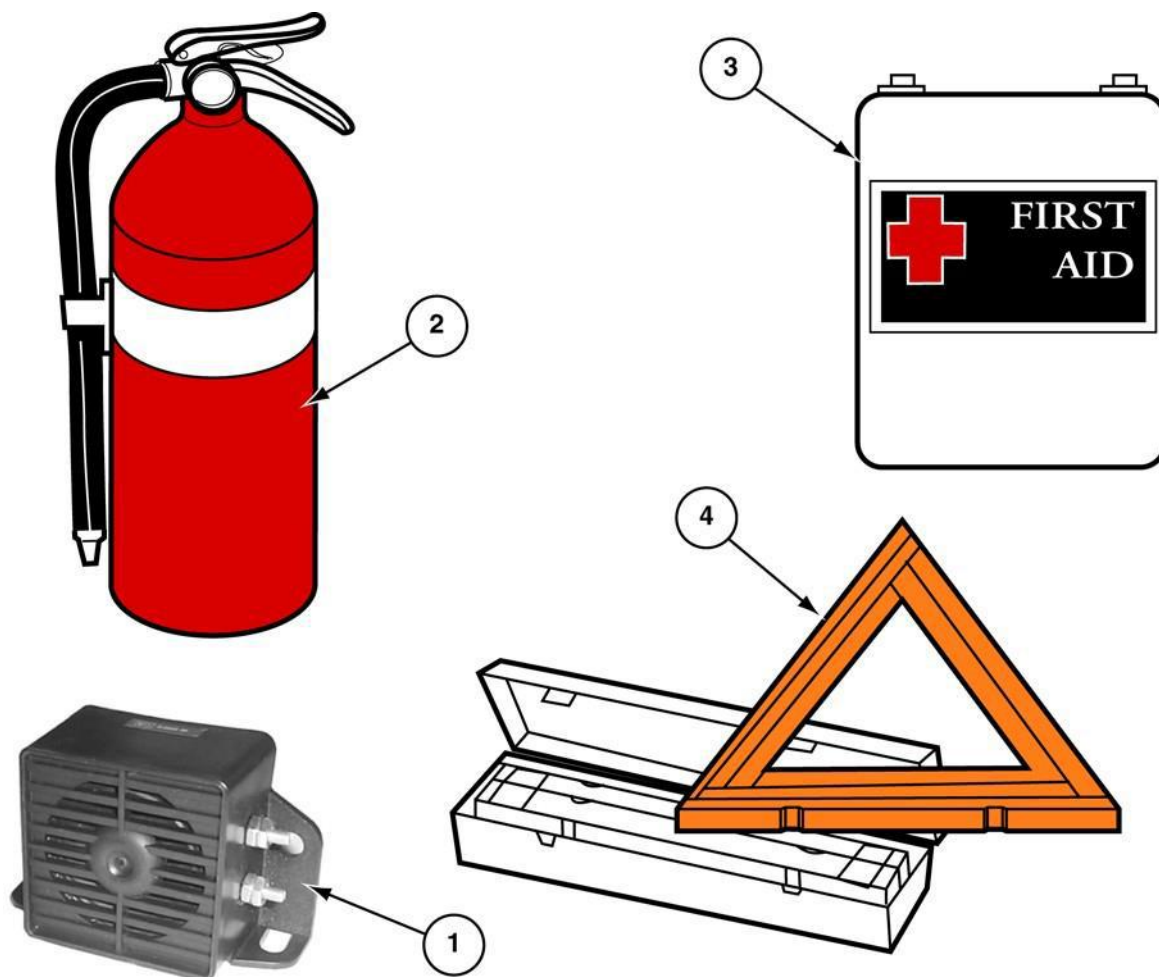
PROLO ESCAPE HATCH
0411750

<i>ITEM</i>	<i>PARTNO.</i>	<i>DESCRIPTION</i>	<i>QTY</i>	<i>ITEM</i>	<i>PARTNO.</i>	<i>DESCRIPTION</i>	<i>QTY</i>
01	1770992	HATCH,ESCAPEPROLO#9245	1				



EscapE hatch with latchEs 0411558

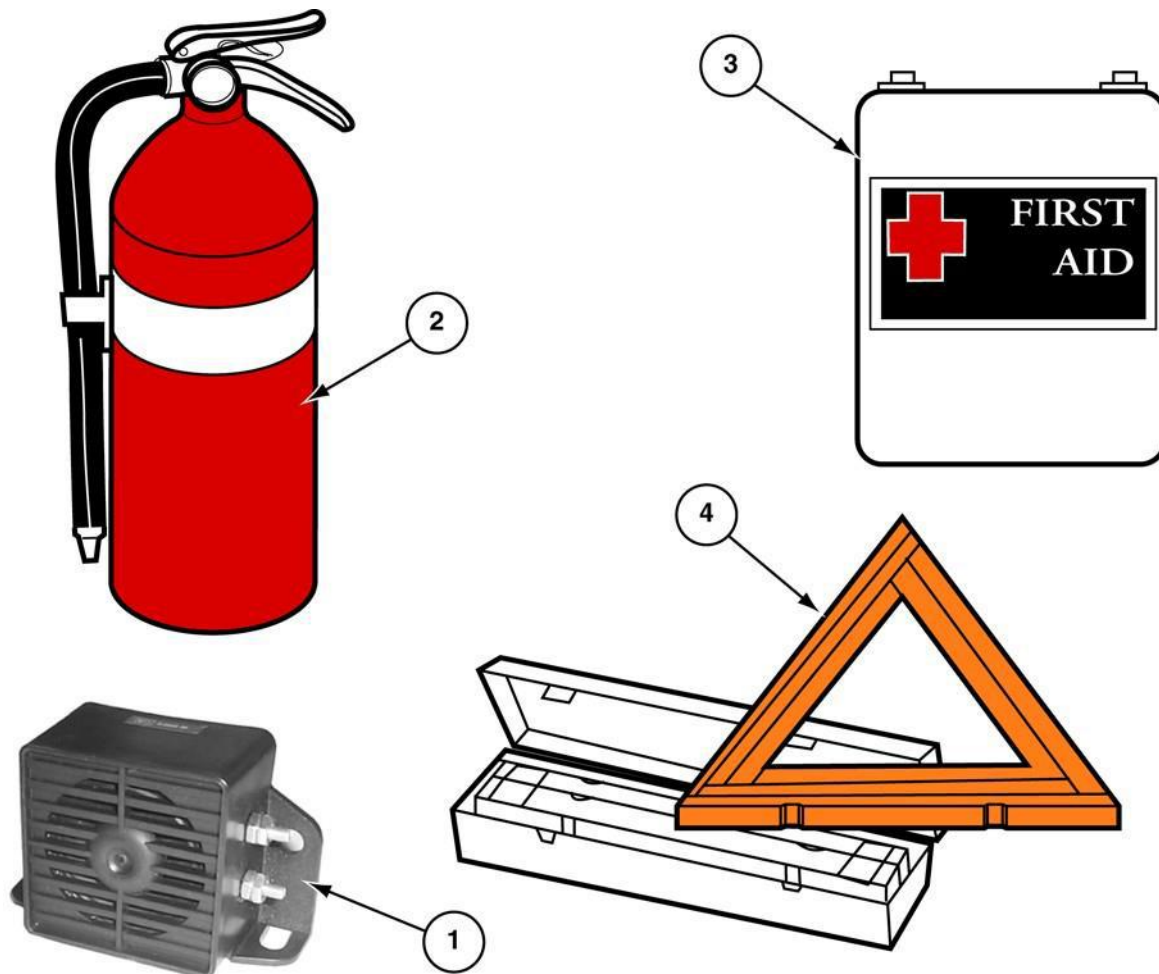
<i>ITEM PART NO. DESCRIPTION</i>	<i>QTY</i>	<i>ITEM PART NO. DESCRIPTION</i>	<i>QTY</i>
1 1770974 Hatch, Low Profile Econo Vent Gray	1		
2 4970720 Latch, Sliding Bolt S/S Large	2		



INSTALL SAFETY PACKAGE I

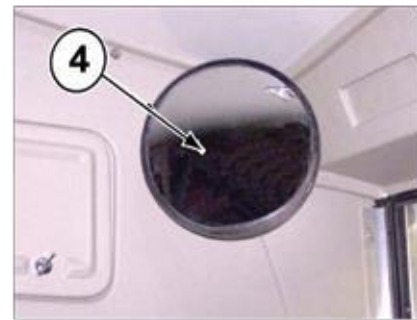
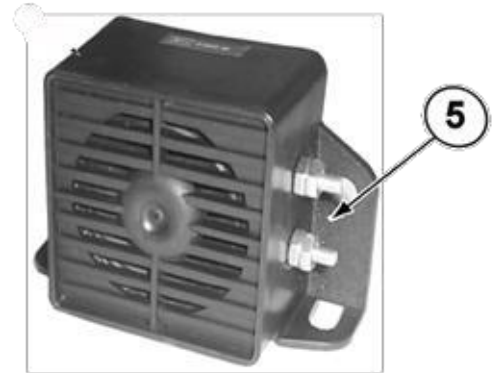
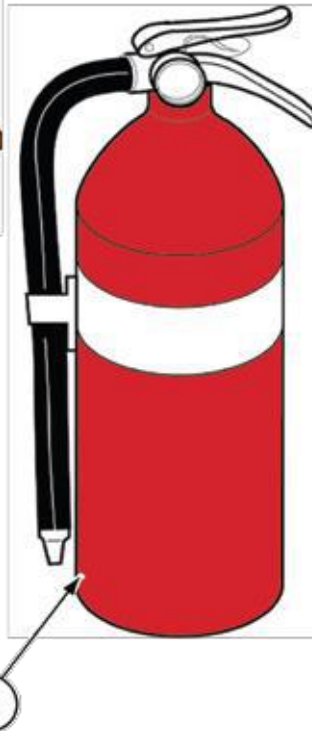
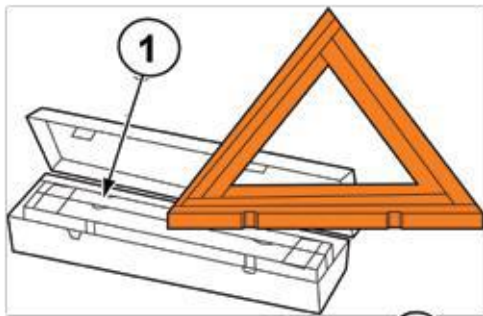
CX0000075403 / CH-000-900-5403

ITEM	PARTNO.	DESCRIPTION	QTY	ITEM	PARTNO.	DESCRIPTION	QTY
01	3943396	ALARM, BACKUP(#230)	1				
2	6170108	EXTINGUISHER, FIRE (5LB)	1				
3	6140784	KIT, FIRSTAID (SMALL)	1				
4	6140792	KIT, WARNING TRIANGLE	1				



INSTALL SAFETY PACKAGE I
CH-000-900-5401

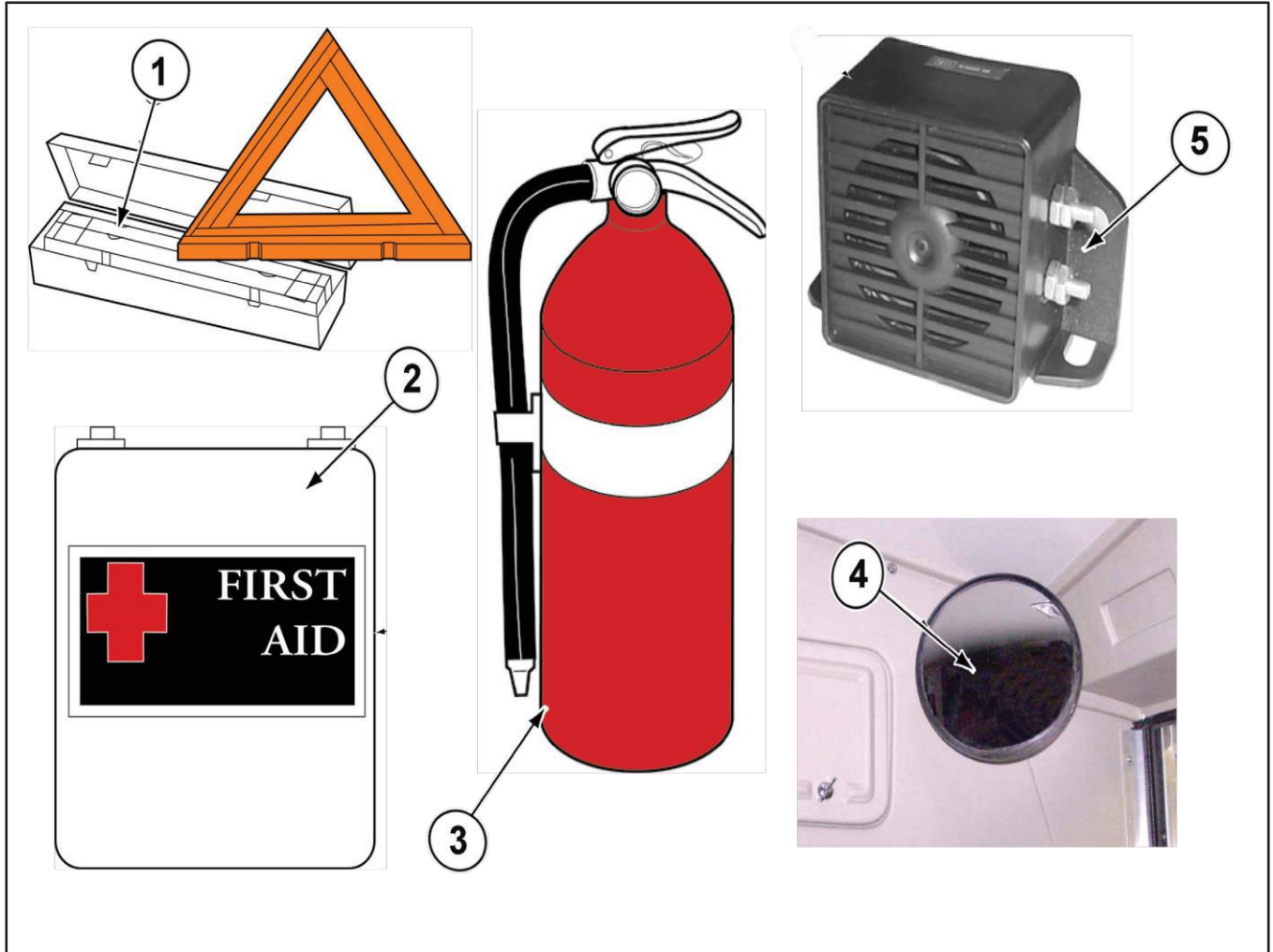
<i>ITEM</i>	<i>PARTNO.</i>	<i>DESCRIPTION</i>	<i>QTY</i>	<i>ITEM</i>	<i>PARTNO.</i>	<i>DESCRIPTION</i>	<i>QTY</i>
01	3943396	ALARM, BACKUP(#230)	1				
2	6170108	EXTINGUISHER, FIRE (5LB)	1				
3	6140784	KIT, FIRSTAID (SMALL)	1				
4	6140792	KIT, WARNING TRIANGLE	1				



Safety package 2

cH-000-900-5404 / CX0000075404

<i>ITEM PART NO. DESCRIPTION</i>	<i>QTY</i>	<i>ITEM PART NO. DESCRIPTION</i>	<i>QTY</i>
01 6140792 Flare Kit, Reflector	1		
02 6140719 First Aid Kit (24 Unit)	1		
3 6170110 Extinguisher, Fire 10 Pounc	1		
4 3943396 Backup Alarm (Small)	1		
5 6170039 Mirror 9" Round Interior Convex	1		

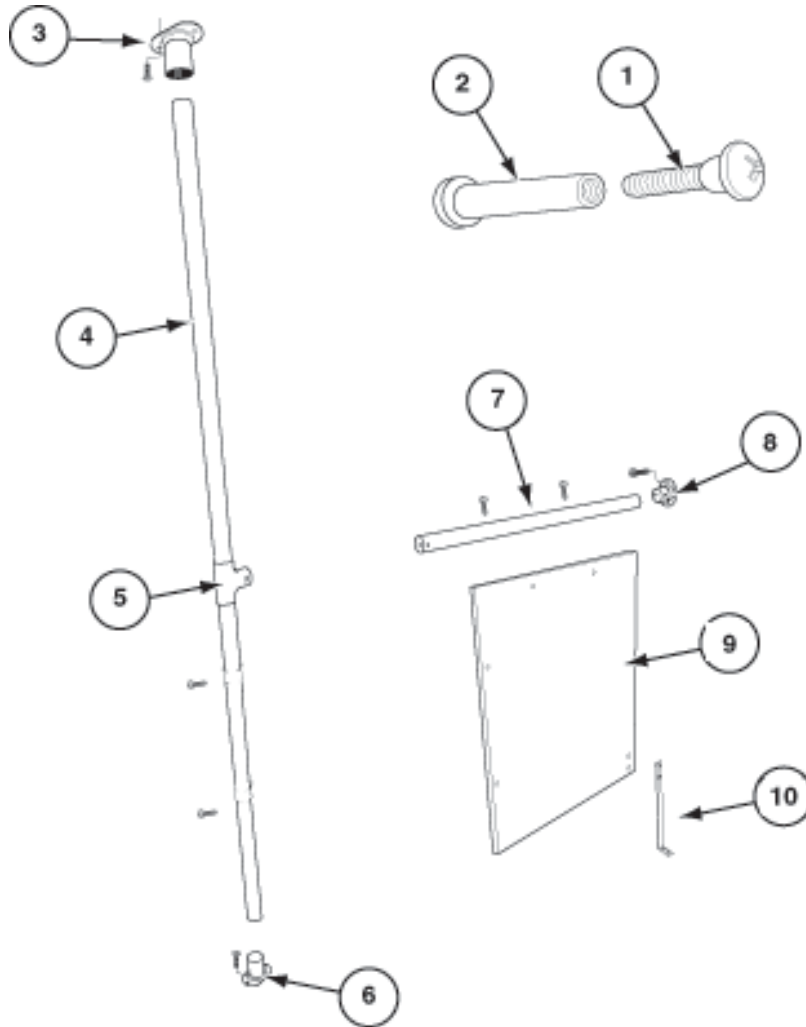


Safety package 3

cx0000075405 / CH-000-900-5405

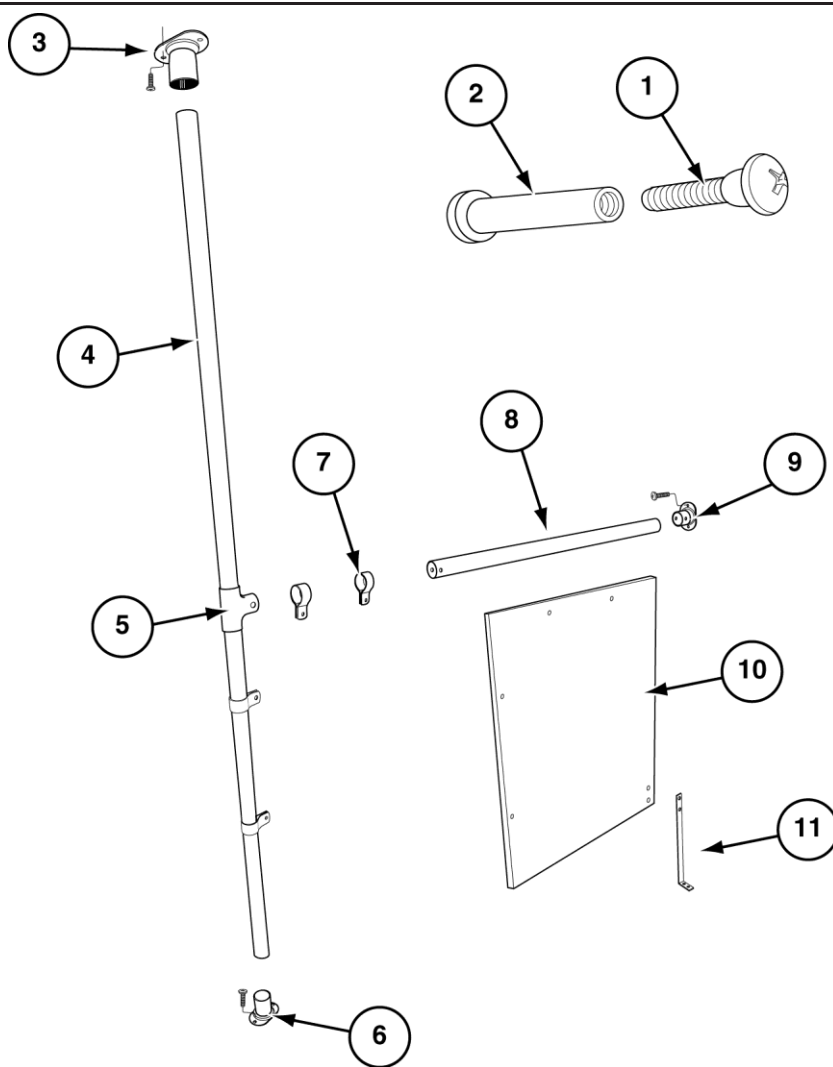
<i>ITEM PART NO. DESCRIPTION</i>	<i>QTY</i>	<i>ITEM PART NO. DESCRIPTION</i>	<i>QTY</i>
01 6140792 Flare Kit, Reflector	1	NS 0409486 Stanchion, Driver's Barrier 2002	1
2 6140719 Kit, First Aid Large (24 Unit)	1	NS 0416663 Stanchion, Entry Door ABS W/Reinf.	1
3 6170110 10 LB Fire Extinguisher	1		
6170109 Bracket, Fire Ext. 10LB	1	NS CH-000-900-3111 White Standee Line	
4 6170039 Mirror, Head Convex	1	1570263 Standee, White .19 x 29.38 x 2 Ribbed	1
0373597 Bracket, 9" Convex Int. Mirror	1	8980583 Label, Standing Forward of White Line	1
5 3943396 Back-Up Alarm, Small	1	4342879 Steel, Coil .021 x 36 Painted	AR
		NS 6170246 Pad, Stanchion Black 36"	3

NOTE: See more detailed information for the Driver's Stanchion, Entry Door Stanchion, and White Standee Line on the following 3 pages.



Stanchion, Driver'S CX0000075405

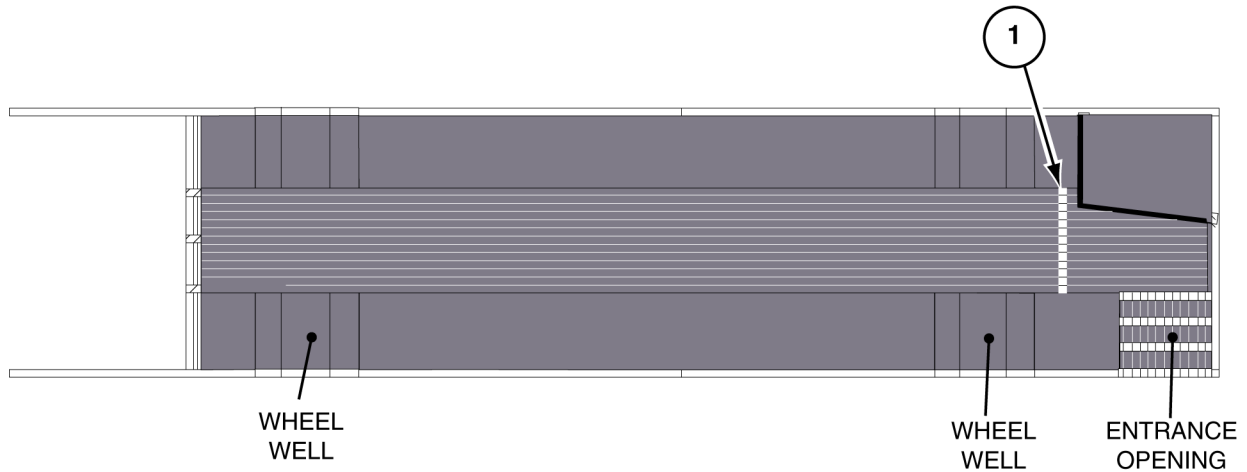
<i>ITEM PART NO. DESCRIPTION</i>	<i>QTY</i>	<i>ITEM PART NO. DESCRIPTION</i>	<i>QTY</i>
0409486 Stanchion, Driver's w/Mod ABS CH/GM/D			
1	5	0377868 Bolt, Stanchion Locking 2422 Male	
2	5	0377869 Nut, Stachion Locking 2423 Female	
3	1	0377112 Fitting, S/S Base 5 Degree	
04	A/R	0346494 Tube, .065 x 1.25	
05	1	0346379 Fitting, S/S Tee #50100	
06	1	0343695 Fitting, S/S Bottom	
07	A/R	0346494 Tube, .065 x 1.25	
8	1	0376089 Fitting, S/S Oval Base Flange	
9	1	0402664 Panel, Modesty 24 x 24.25 Padded	
10	1	0377098 Bracket, Modesty Panel Support	



ENTRY DOOR STANCHION W/ ABS REINFORCEMENT
CX0000075405 / 0416663 REV-A, 0412639

<i>ITEM</i>	<i>PART NO.</i>	<i>DESCRIPTION</i>	<i>QTY</i>	<i>ITEM</i>	<i>PART NO.</i>	<i>DESCRIPTION</i>	<i>QTY</i>
	0416663	STANCHION, ENTRY DOOR W/ABS		N/S	8571085	NUT, HEX 10-32 ACORN LOCK S/S	5
1	0377868	BOLT, STANCHION LOCKING 1422 MALE	5	N/S	0378575	TUBE, 1" OD 1/4" 1026 STEEL 82" L	2
2	0377869	NUT, STANCHION LOCKING 1423 FEMALE	5			0412639 BRACKET, MODESTY PANEL SUPPORT	
3	0377112	FITTING, S/S BASE 5 DEGREE W/RUBBER	1	11	4540241	BAR, ALUMINUM .125 X 1" X 10'	AR
4	0346494	TUBE, .065 x 1.25 x 236" S/S/180 GRID	1				
5	0346379	FITTING, S/S TEE #50100 ONE HOLE	2				
6	0343695	FITTING, S/S BOTTOM 49011	2				
7	0377051	FITTING, S/S MODESTY PANEL MOUNT	3				
8	0346494	TUBE, .065 X 1.25 X 17' S/S 180GRID	A/R				
9	0376089	FITTING, S/S OVAL BASE FLANGE	1				
10	3371415	PANEL, MODESTY 1/4 x 13 x 24 ABS GRAY	1				
N/S	8570996	SCREW, MACHINE 10-32 x 1/2 PHIL PAN ZINC	5				

**STANDING FORWARD
OF WHITE LINE IS
NOT PERMITTED WHILE
VEHICLE IS IN MOTION**



INSTALL WHITE STANDEE LINE

CX0000075405 / CH-000-900-3111

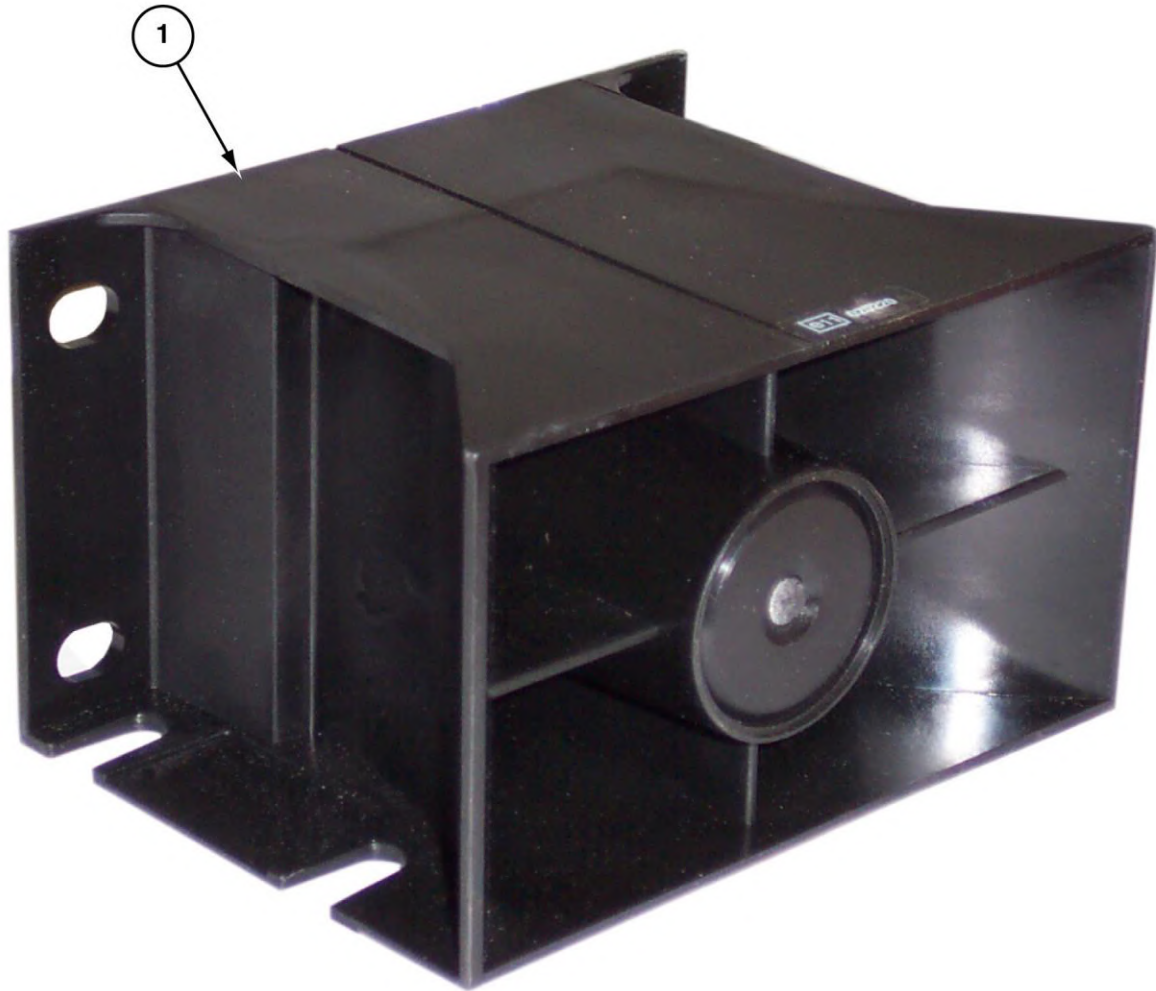
<i>ITEM</i>	<i>PART NO.</i>	<i>DESCRIPTION</i>	<i>QTY</i>	<i>ITEM</i>	<i>PART NO.</i>	<i>DESCRIPTION</i>	<i>QTY</i>
01	1570263	STANDEE, WHITE (.19 x 29.38 x 2) RIBBED	1				
02	8980583	LABEL, STANDING FORWARD OF WHITE LINE	1				



Back up alarm

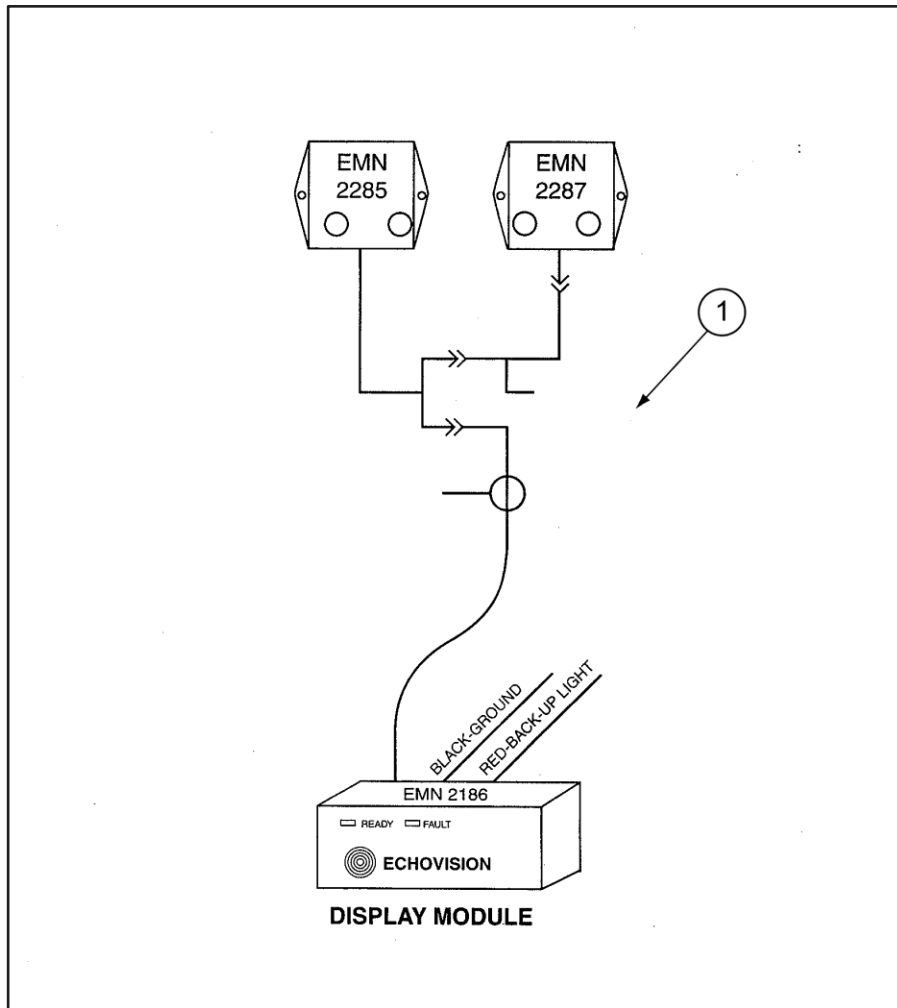
cx0000070208 / cH-000-900-0208

<i>ITEM PART NO. DESCRIPTION</i>	<i>QTY</i>	<i>ITEM PART NO. DESCRIPTION</i>	<i>QTY</i>
01 3943396 Alarm, Backup	1		
N/S 0403487 Harness, Wire Back-Up Alarm	1		
N/S 3942299 Terminal, Ring Blue	3		
N/S 3945623 Loom, 1/4" Split Plastic Hi-Temp	A/R		
N/S 3971314 Wire, 14ga White - Marked	A/R		
N/S 3971933 Wire, 14ga White - UnMarked	A/R		



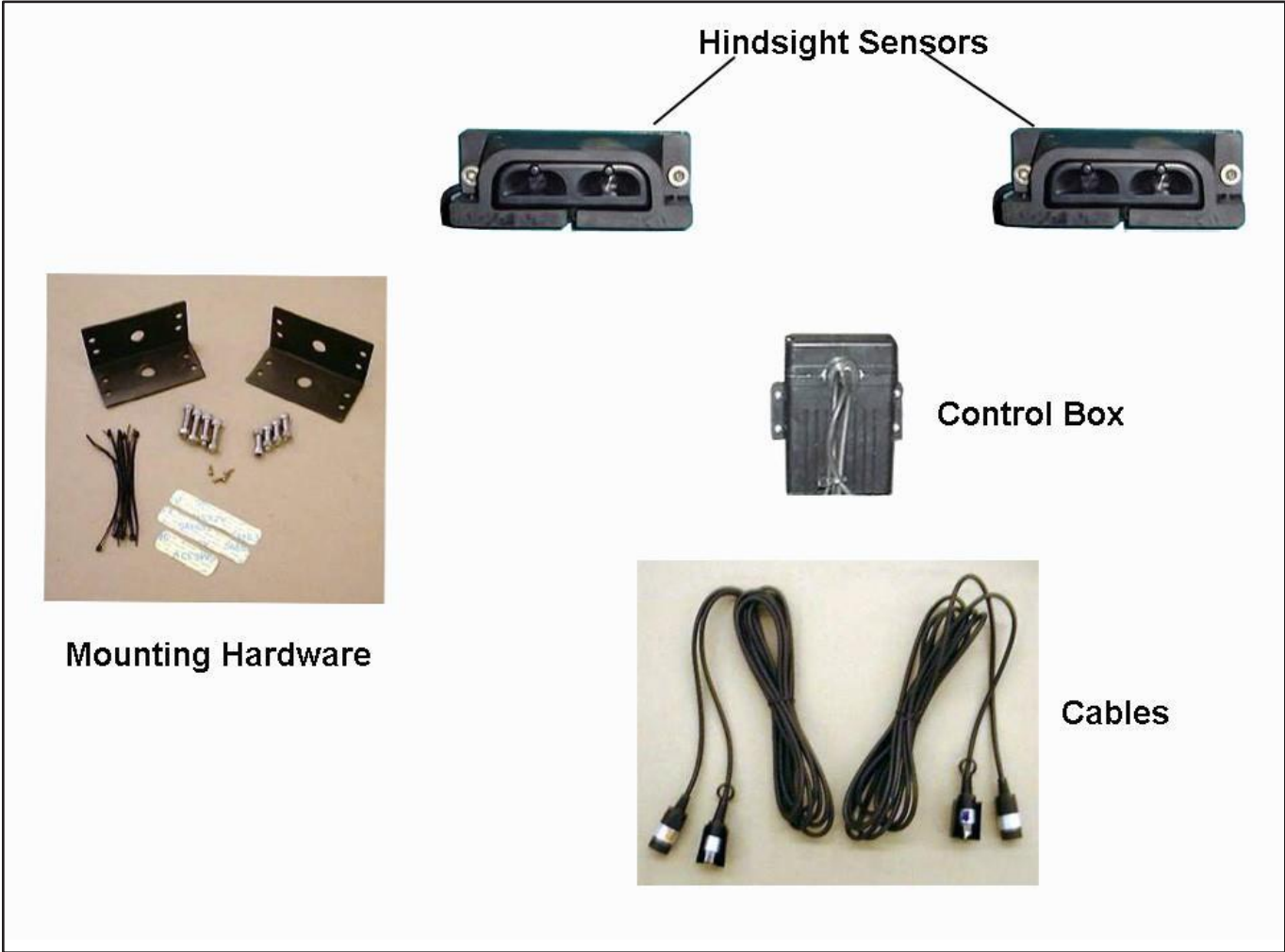
bACKUP ALARM (LARGE)
CX0000072953

<i>ITEM PART NO. DESCRIPTION</i>	<i>QTY</i>	<i>ITEM PART NO. DESCRIPTION</i>	<i>QTY</i>
01 3946043 Alarm, Backup #390	1		
NS 3945623 Loom, ¼ Split Nylon W/ Stripe All	2		
NS 3971307 Wire, 14GA GXL Black	A/R		
NS 3971933 Wire, 14GA GXL White	A/R		



back up alarm
cx0000070046

<i>ITEM PART NO. DESCRIPTION</i>	<i>QTY</i>	<i>ITEM PART NO. DESCRIPTION</i>	<i>QTY</i>
01 3972499E Alarm, Back-Up Echovision	1		



**backup alarm sensor, hindsight
cx0000072954**

<i>ITEM PART NO. DESCRIPTION</i>	<i>QTY</i>	<i>ITEM PART NO. DESCRIPTION</i>	<i>QTY</i>
01 3972993 Sonar, Back-Up Hindsight 20/20	1		



**backup camera w/color 5.6" monitor
0416401**

<i>ITEM</i>	<i>PART NO.</i>	<i>DESCRIPTION</i>	<i>QTY</i>	<i>ITEM</i>	<i>PART NO.</i>	<i>DESCRIPTION</i>	<i>QTY</i>
0416401 Install, Camera Backup Color 5.6" Monitor							
01	3974378	Monitor, LCD Color 5.6"	1				
02	3974507	Mount, Backup Camera	1				
03	3974339	Camera, Color Backup	1				
04	3974380	Cable, Camera Backup	1				
NS	3973365	Wire, 14ga GXL Black (Marked-#4)	60				
NS	3971935	Wire, 14GA GXL Red (Unmarked)	15				
NS	3973366	Wire, 14GA GXL White (Marked-#5)	75				
NS	3945656	Loom, 1/2" Split Nylon W/Stripe Hi-T	75				



**Back-up camera system
0420520**

<i>ITEM</i>	<i>PART NO.</i>	<i>DESCRIPTION</i>	<i>QTY</i>	<i>ITEM</i>	<i>PART NO.</i>	<i>DESCRIPTION</i>	<i>QTY</i>
01	3975602	Camera, Back-Up System W/7" Monitor	1				



**backup camera w/rearview mirror
0420985**

<i>ITEM</i>	<i>PART NO.</i>	<i>DESCRIPTION</i>	<i>QTY</i>	<i>ITEM</i>	<i>PART NO.</i>	<i>DESCRIPTION</i>	<i>QTY</i>
01	3975772	Camera, Backup W/Rearview Mirror	1				



Install stop request push button

0407645

ITEM	PART NO.	DESCRIPTION	QTY	ITEM	PART NO.	DESCRIPTION	QTY
01	3972467	Push Button, Stop Request	1				



FrESNEL LENS 11" x 14"
0413026

<i>ITEM PART NO. DESCRIPTION</i>	<i>QTY</i>	<i>ITEM PART NO. DESCRIPTION</i>	<i>QTY</i>
01 6170385 Lens. Wide Angle Rear 11"x14"	1		



RUBBER WHEEL CHOCKS

CX-000-900-0052

ITEM	PARTNO.	DESCRIPTION	QTY	ITEM	PARTNO.	DESCRIPTION	QTY
01	0170134	CHOCK,RUBBER/WHEEL (6x8x5)	2				

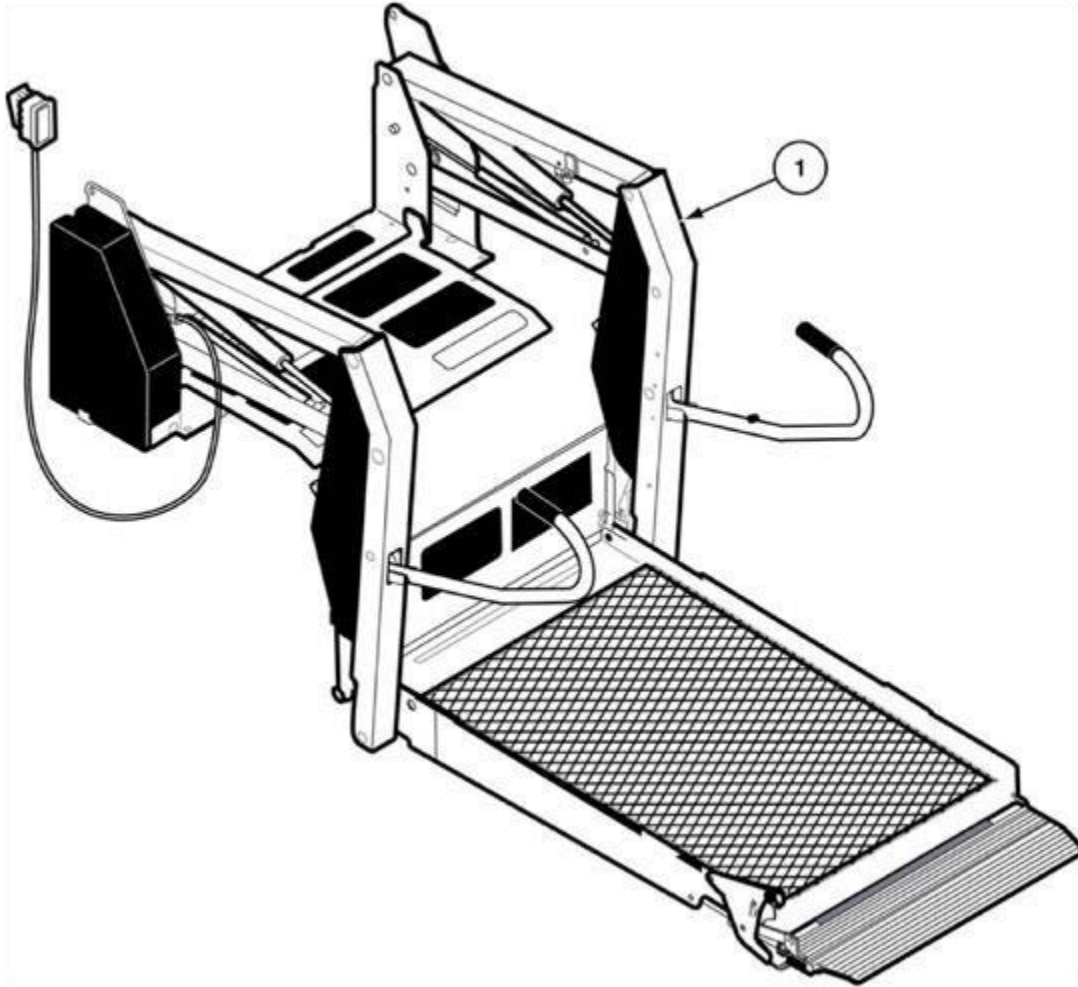


**CHAMPION
BUS, INC.**

Wholly owned subsidiary of Thor Industries, Inc.

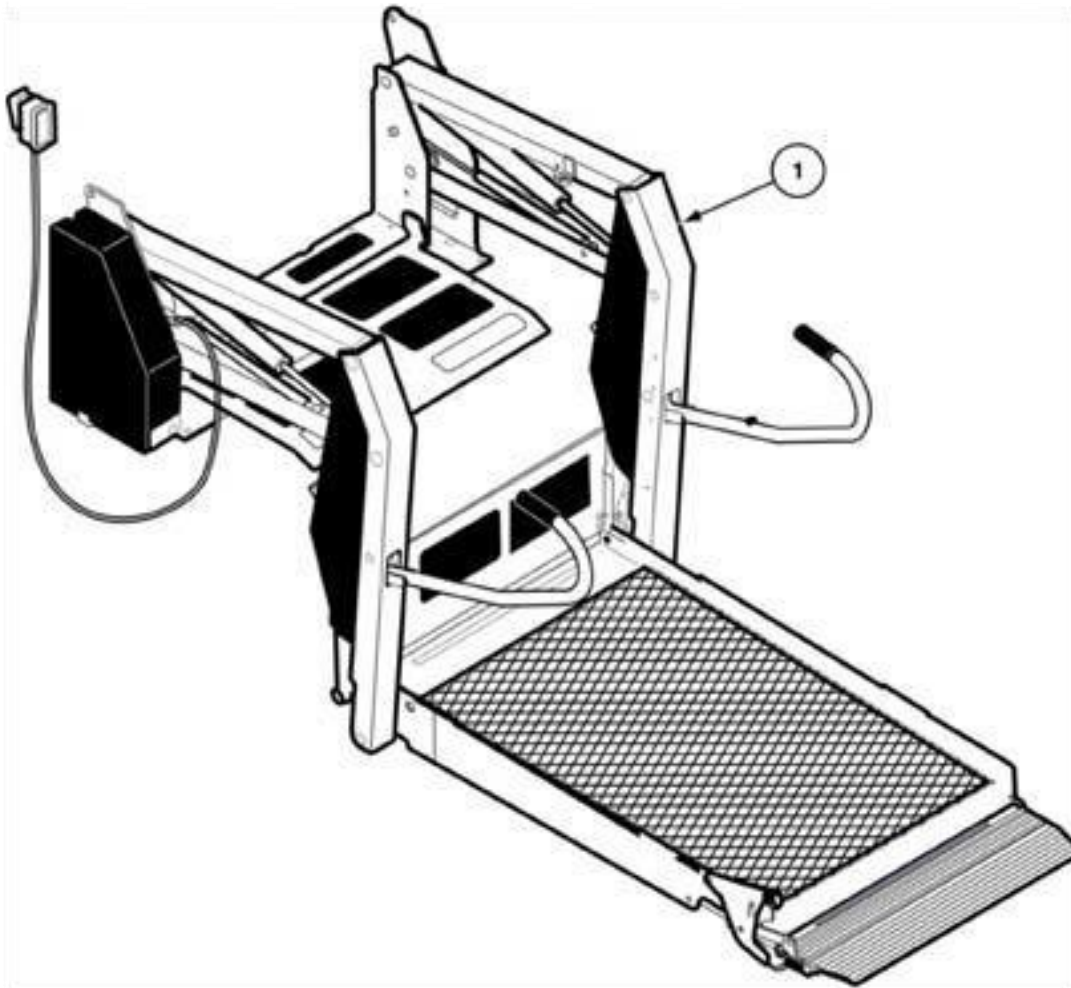
SECTION 11:

OPTIONAL EQUIPMENT



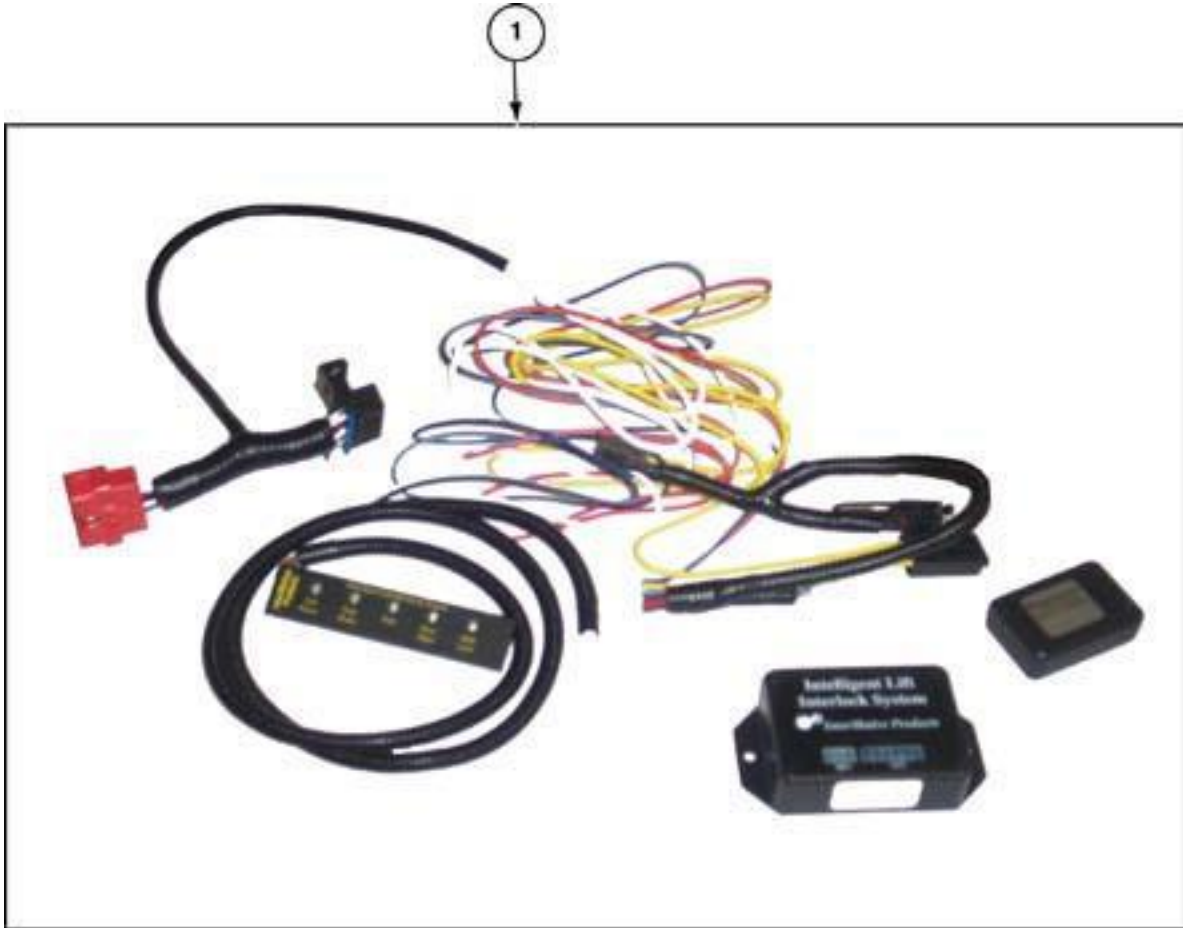
Install, Lift Braun n1919 Df000065517 - 0413794

<i>ITEM PART NO. DESCRIPTION</i>	<i>QTY</i>	<i>ITEM PART NO. DESCRIPTION</i>	<i>QTY</i>
DF000065517 LIFT PKG BRAUN NL919			
0413794 Install, Lift Braun NL919 403/404			
01 3973931 Lift, Braun NL 919 FIBHB (403/4)	1		
N/S 0414025 Placement, Lift Structure NL919	1		
N/S 3973357 Enclosure, Braun Circuit Breaker	1		
N/S 3972777 Harness, Lift STD	1		
N/S 3971517 Clamp, Vinyl Coated Steel 5/8	1		
N/S 3971517 Grommet, 2-1/8" x 1-3/16" ID	2		
N/S 0375845 Steel, Flat 11GA6 X 129 HRS	1		
N/S 3974161 Module, Interlock InPower	1		
N/S 3974195 Module, LED Display Interlock InPower	1		
N/S 3975257 Interlock, GM/INT'L/FTL NY DOT	1		



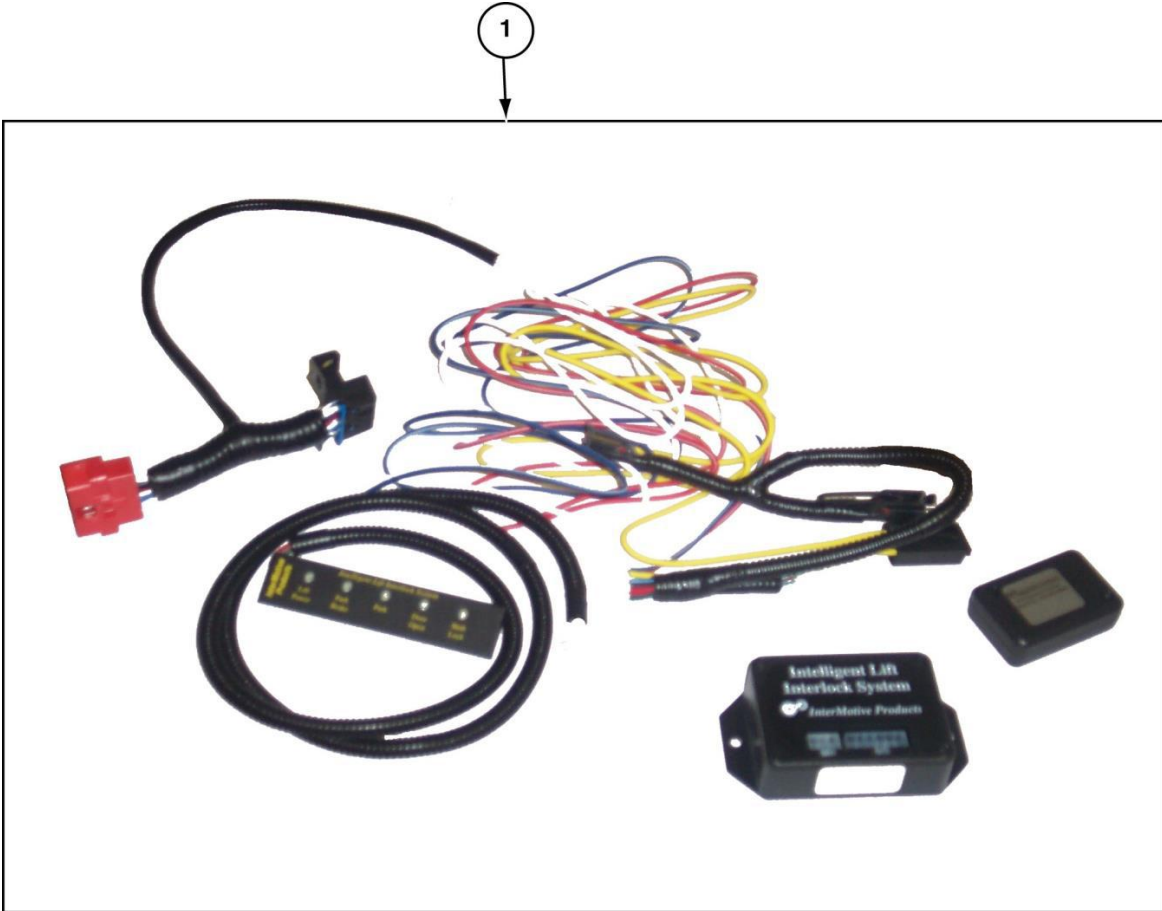
Install, Lift Braun n1919 f50000065517 - 0413794

<i>ITEM PART NO. DESCRIPTION</i>	<i>QTY</i>	<i>ITEM PART NO. DESCRIPTION</i>	<i>QTY</i>
01 3973931 Lift, Braun NL 919 FIBHB (403/4)	1		
N/S 0414025 Placement, Lift Structure NL919	1		
N/S 3973357 Enclosure, Braun Circuit Breaker	1		
N/S 8940561 Decal, Paratransit 8.75 x 8.75	1		
N/S 3973760 Enclosure, Mega Fuse Holder	1		
N/S 3972777 Harness, Lift STD Challenger	1		
N/S 3971517 Clamp, Vinyl Coated Steel 5/8	3		
N/S 3971515 Grommet, 2-1/8" x 1-3/16" ID	2		



**INTERLOCK/FAST IDLE INPOWER FORD
F5000065517 / 3975458**

<i>ITEM PART NO. DESCRIPTION</i>	<i>QTY</i>	<i>ITEM PART NO. DESCRIPTION</i>	<i>QTY</i>
01 3975458 Interlock, F550 Fast Idle & Lift 10/11	1		



**INTERLOCK/FAST IDLE INPOWER FORD
CH000FU, CH000FP, CH000FL CH000FN65517
0415749**

<i>ITEM PART NO. DESCRIPTION</i>	<i>QTY</i>	<i>ITEM PART NO. DESCRIPTION</i>	<i>QTY</i>
01 3974121 Module, Interlock Fast Idle Ford Inp	1		
NS 3974122 Display, Interlock Fast Idle Ford Inp	1		
NS 3974130 Harness, Ford InPower	1		



Priority seating sign
Cx-000-900-3132

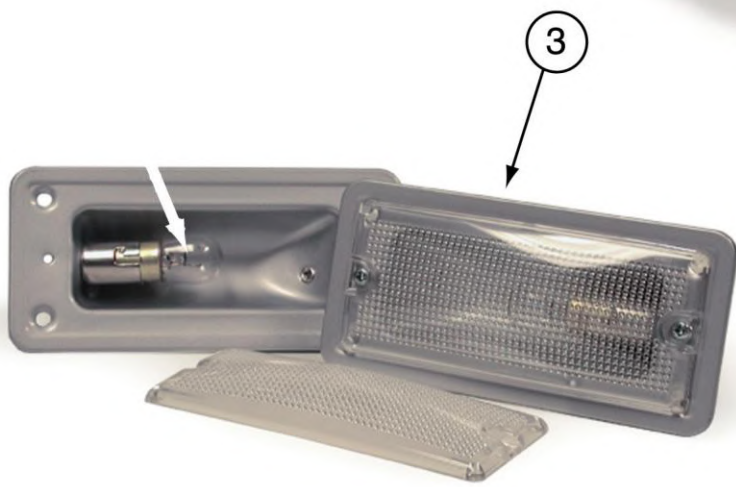
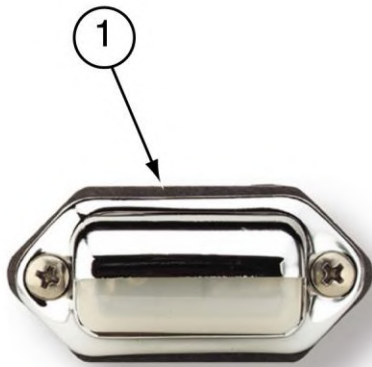
<i>ITEM PART NO. DESCRIPTION</i>	<i>QTY</i>	<i>ITEM PART NO. DESCRIPTION</i>	<i>QTY</i>
01 8970154 Decal, "Priority Seating"	1		
02 8570812 Rivet, Pop 1/8 x .325 - .500 GRP S/S	2		
03 4370095 Steel, Coil .021 x 48 Painted	A/R		

**FORWARD FACING
WHEELCHAIR SECUREMENT LOCATION**



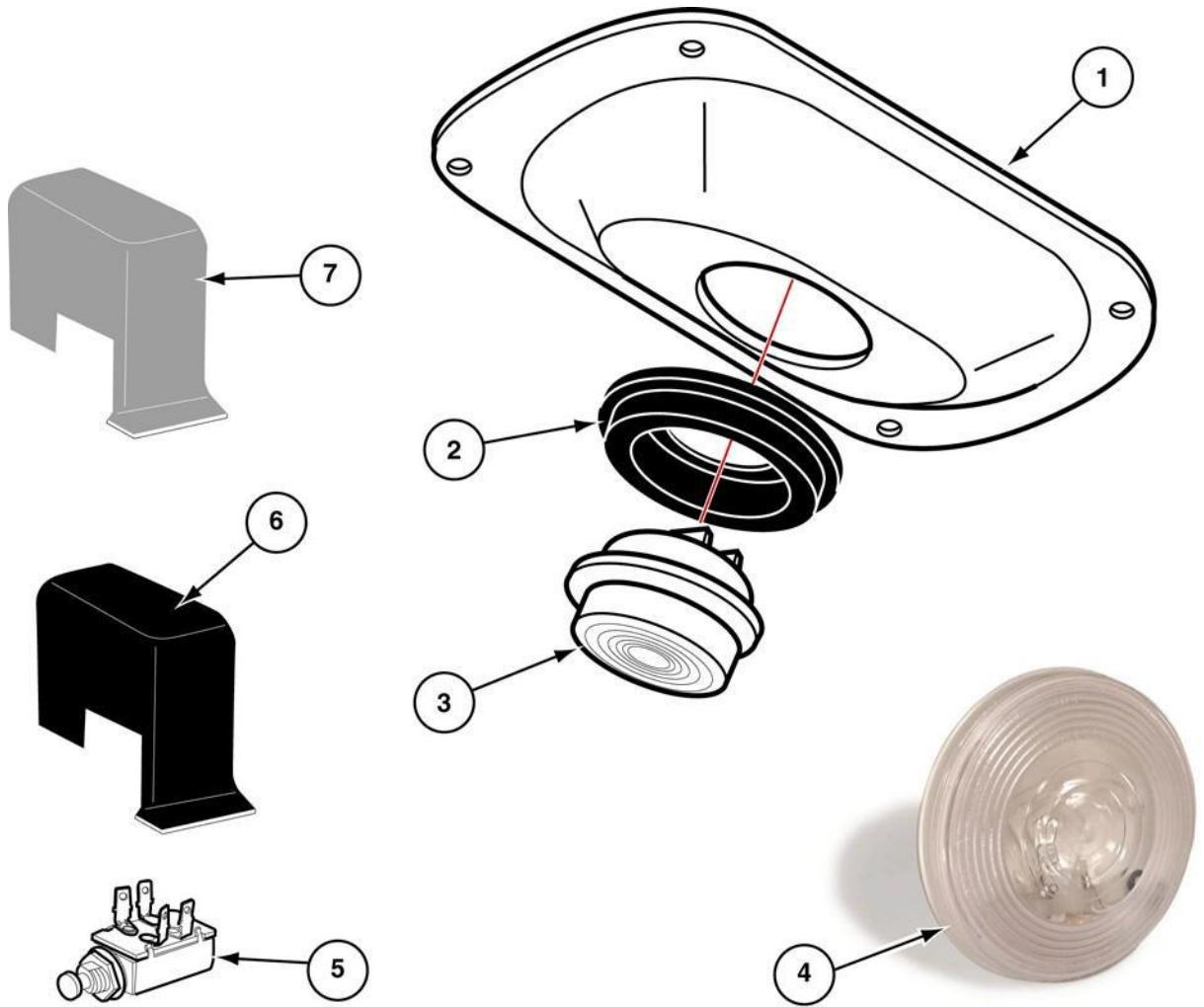
**INSTALL WHEELCHAIR LOCATION SIGN
CX-000-900-3173**

<i>ITEM</i>	<i>PARTNO.</i>	<i>DESCRIPTION</i>	<i>QTY</i>	<i>ITEM</i>	<i>PARTNO.</i>	<i>DESCRIPTION</i>	<i>QTY</i>
01	8970800	LABEL, FWD FACING WHEELCHAIR SECUREMENT	1				



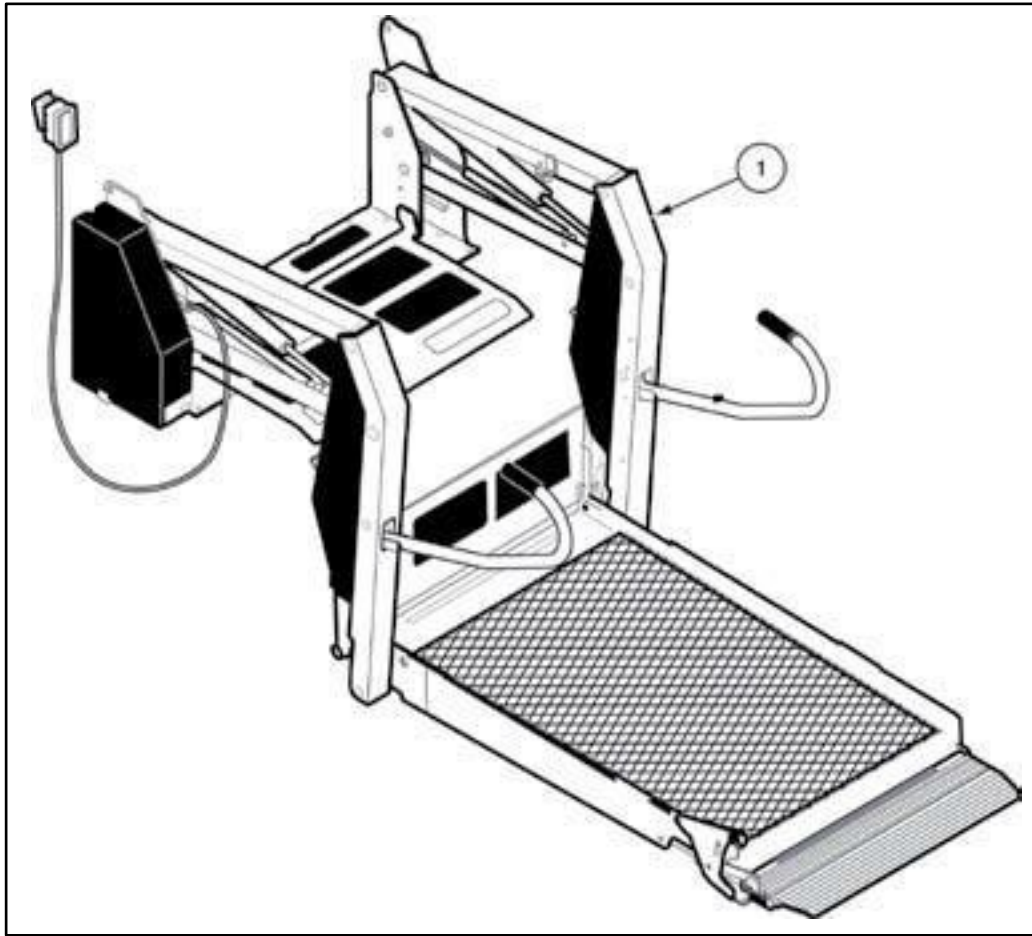
dOOOr ACTuATED ENTrANCE LighTiNg (AdA)
Cx-000-900-3174

<i>ITEM PART NO.</i>	<i>DESCRIPTION</i>	<i>QTY</i>	<i>ITEM PART NO.</i>	<i>DESCRIPTION</i>	<i>QTY</i>
1	3971448 Light, Courtesy M434	2			
2	0403822 Landing Light (ADA)	1			
3	0403157 Light with out Switch	1			



LIFT DOOR ACTUATED LIGHTING
CX-000-900-3162

<i>ITEM PART NO.</i>	<i>DESCRIPTION</i>	<i>QTY</i>	<i>ITEM PART NO.</i>	<i>DESCRIPTION</i>	<i>QTY</i>
01	3371024 BEZEL, 4" ROUND INTERIOR LIFT LIGHT	1			
02	3972986 GROMMET, 4" DIA.	1			
3	3971914 LIGHT, 4" ROUND INTERIOR LIFT	1			
4	3971447 LIGHT, CLEAR	1			
5	3971963 SWITCH, DOOR POST JAMB (N/C)	1			
6	3371079 COVER, JAMB SWITCH	1			
7	3371674 COVER, LIFT DOOR SWITCH (GRAY)	1			



**BRAUN LIFT, CENTURY NCL919 FoRd
65515/ 0413810**

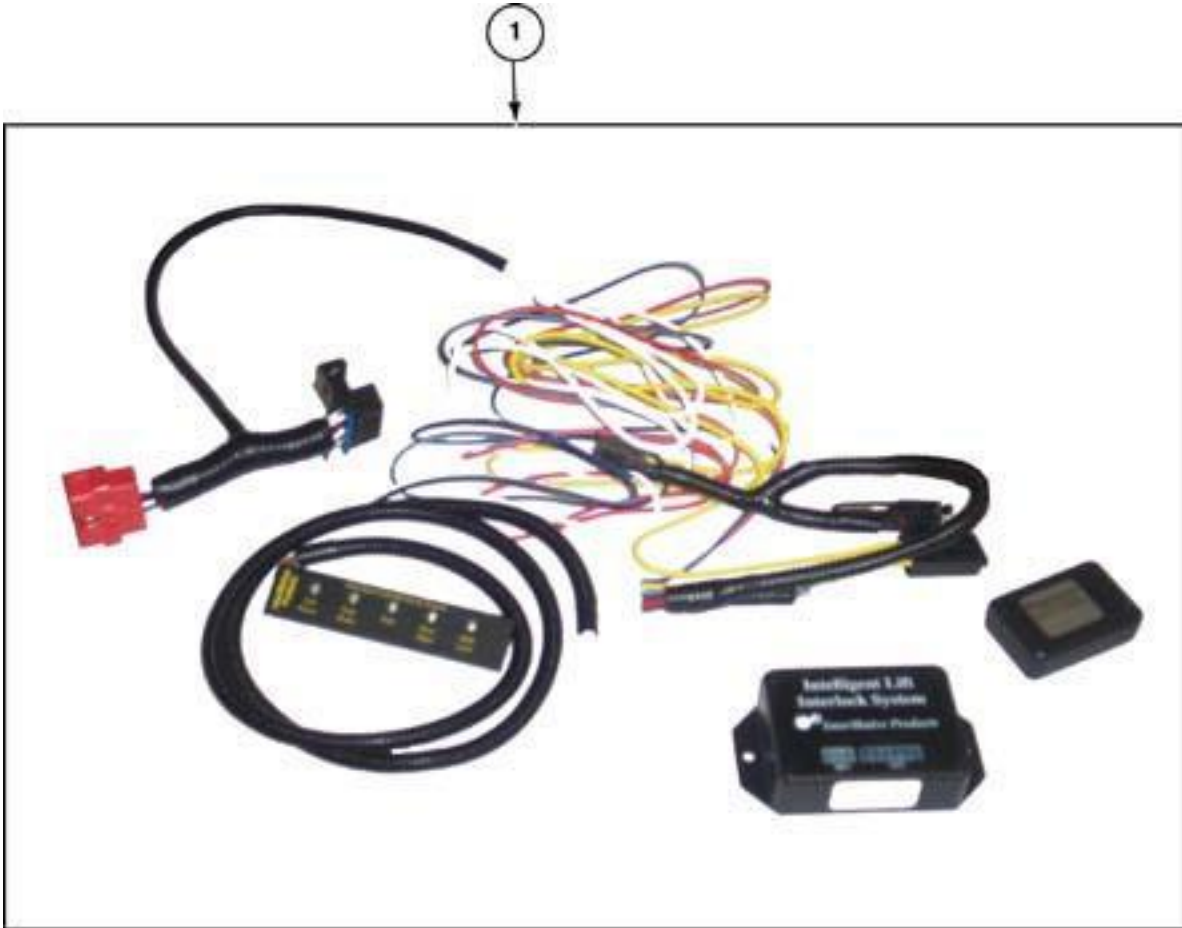
<i>ITEM PART NO. DESCRIPTION</i>	<i>QTY</i>	<i>ITEM PART NO. DESCRIPTION</i>	<i>QTY</i>
01 3974165 Lift, Braun Century NCL919 Gen 2	1	FOUND ALSO IN THE ASSEMBLIES LISTED BELOW:	
N/S 3973357 Enclosure, Braun Circuit Breaker Ext	1		CH00FF65515
N/S 3971517 Clamp, Vinyl Coated Steel 5/8	3		CH00FL65515
		CH00FP65515	
		CH00FN65515	
		CR00FP65515	
		DF00F565515	

1



INTERLOCK/FAST IDLE INPOWER FORD 0415749

<i>ITEM PART NO.</i>	<i>DESCRIPTION</i>	<i>QTY</i>	<i>ITEM PART NO.</i>	<i>DESCRIPTION</i>	<i>QTY</i>
01	3974121	Module, Interlock Fast Idle Ford Inp	1		
NS	3974122	Display, Interlock Fast Idle Ford Inp	1		
NS	3974130	Harness, Ford InPower	1		



**INTERLOCK/FAST IDLE INPOWER FORD
DF000F565515 / 3975458**

<i>ITEM</i>	<i>PART NO.</i>	<i>DESCRIPTION</i>	<i>QTY</i>	<i>ITEM</i>	<i>PART NO.</i>	<i>DESCRIPTION</i>	<i>QTY</i>
01	3975458	Interlock, F550 Fast Idle & Lift 10/11	1				

1



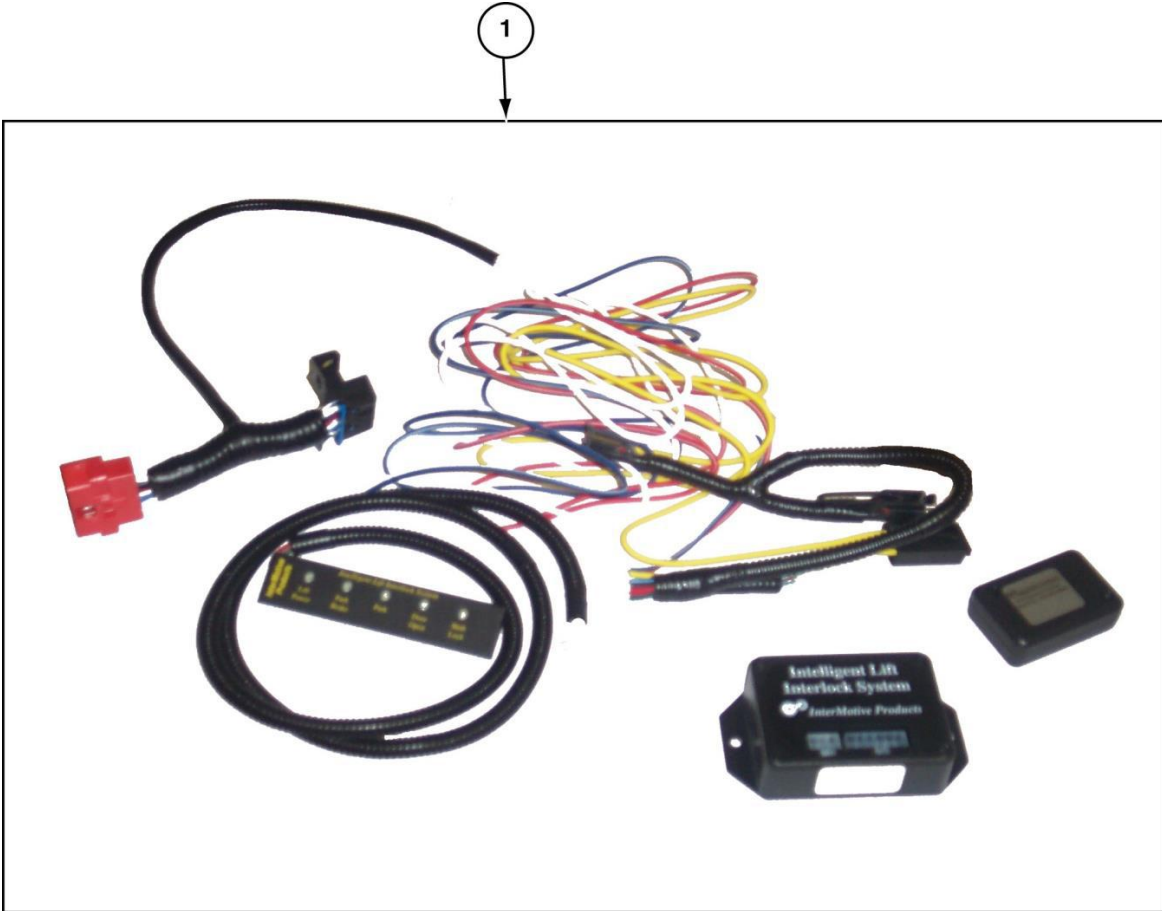
interlock ilis system NC000FP65519 / 0410294

<i>ITEM PART NO. DESCRIPTION</i>	<i>QTY</i>	<i>ITEM PART NO. DESCRIPTION</i>	<i>QTY</i>
01 6170391 Interlock, Ilis Ford 05' Gas W/ Fast	1		
N/S 6170393 Kit, Interlock Activation 2005	1		



BRAUN LIFT - VISTA SERIES V-917-FIB 0411968 / 0410765

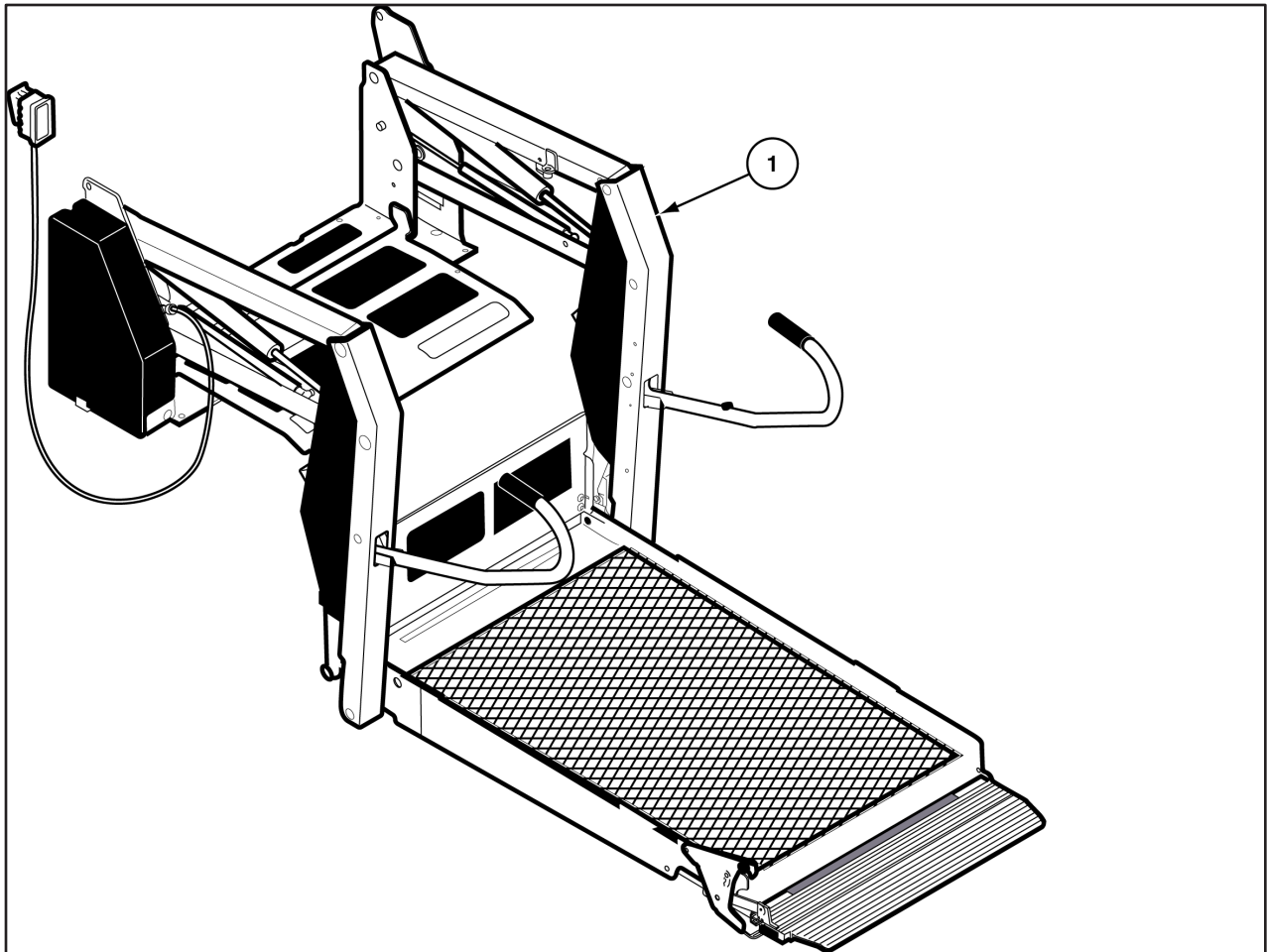
<i>ITEM PART NO. DESCRIPTION</i>	<i>QTY</i>	<i>ITEM PART NO. DESCRIPTION</i>	<i>QTY</i>
01 3973042 Lift, V-917 (F) IB Braun (Vista Series)	1		
NS 3972777 Harness, Lift Std Challenger			
1			
NS 3971517 Clamp, Vinyl Coated Steel 5/8	3		
NS 0375845 Steel, Flat 11GA 6 x 120 HRS	1		
NS 8571015 Bolt, SOC HD Button 3/8-16 x 2-1/2	8		



INTERLOCK/FAST IDLE INPOWER FORD

0411968 / 0413799

<i>ITEM PART NO. DESCRIPTION</i>	<i>QTY</i>	<i>ITEM PART NO. DESCRIPTION</i>	<i>QTY</i>
01 3974121 Module, Interlock Fast Idle Ford Inp	1		
NS 3974122 Display, Interlock Fast Idle Ford Inp	1		
NS 3974130 Harness, Ford InPower	1		



BRAUN LIFT NVL-917 403/404
DF000ND65519 / 0413808

<i>ITEM PART NO. DESCRIPTION</i>	<i>QTY</i>	<i>ITEM PART NO. DESCRIPTION</i>	<i>QTY</i>
01 3973311 Lift, Braun NVL-917 B (403/4)	1		

1



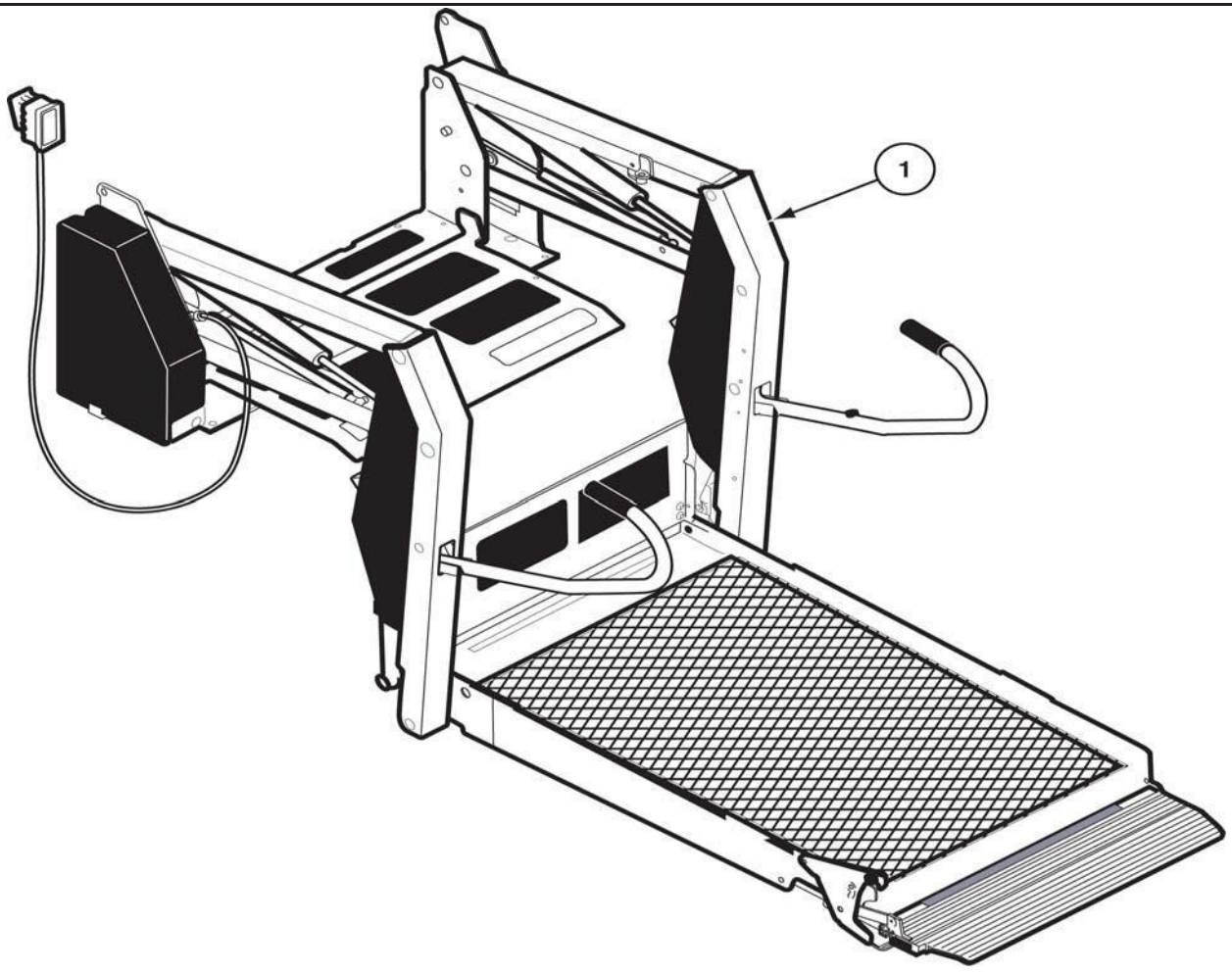
**interlock, ilis international
df000nd65519 / 6170453**

<i>ITEM PART NO.</i>	<i>DESCRIPTION</i>	<i>QTY</i>	<i>ITEM PART NO.</i>	<i>DESCRIPTION</i>	<i>QTY</i>
01	6170453 INTERLOCK, ILIS INT'L 2100	1			



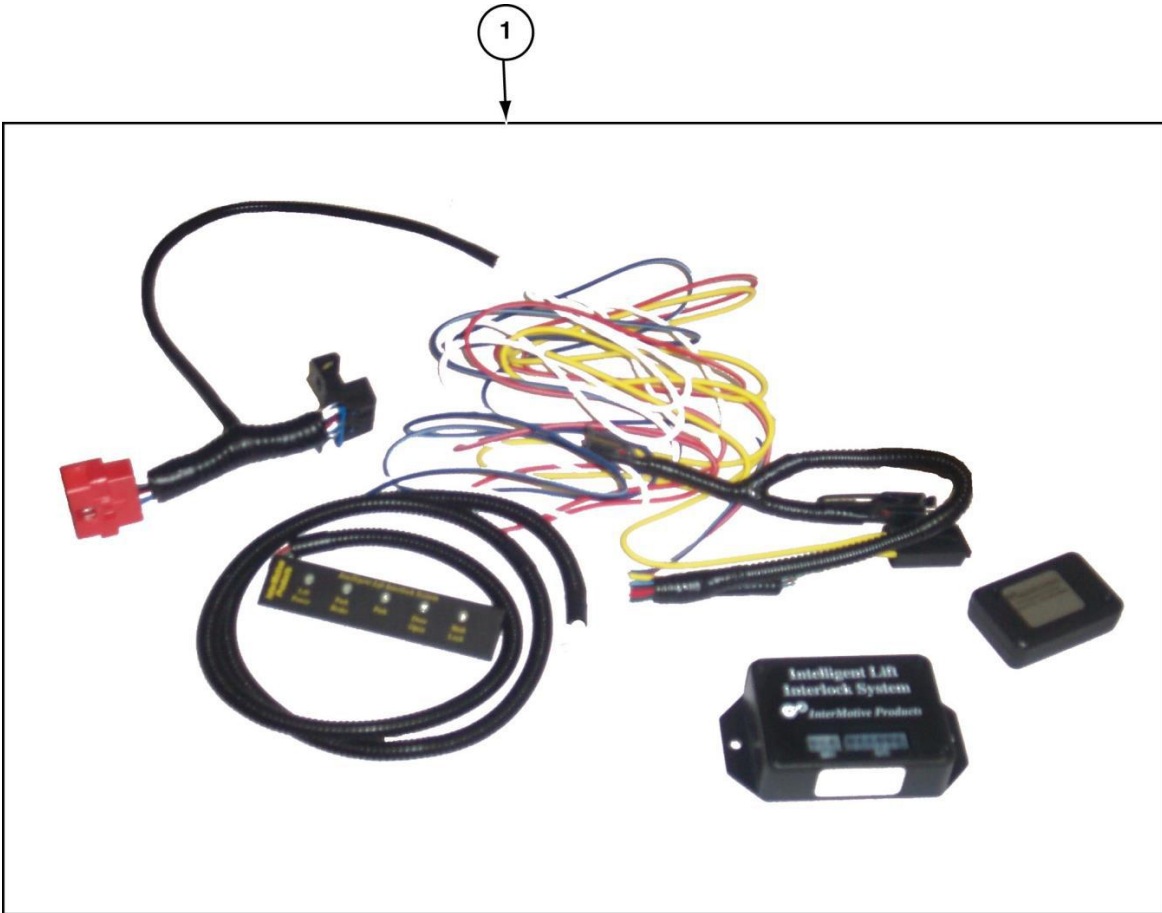
BRAUN 1000LB LIFT NCL954
0421027 / 0420123 - 3975443

<i>ITEM</i>	<i>PART NO.</i>	<i>DESCRIPTION</i>	<i>QTY</i>	<i>ITEM</i>	<i>PART NO.</i>	<i>DESCRIPTION</i>	<i>QTY</i>
01	3975443	Lift, Braun NCL 954 (F) 1000LB	1				
NS	3975461	Interlock, Frtliner/Int'l Fast Idle	1				
NS	0419710	Placement, W/C 1000LB Lift Braun	1				
NS	0375845	Steel, Flat 11GA 6 x 120 HRS	1				
NS	3971323	Cable, Battery Red 2 GA	30				
NS	3973357	Enclosure, Circuit Breaker Exterior	1				
NS	3975315	Shim Braun Lift Base 25856	2				
NS	3972777	Harness, Lift Std Cutaway	1				
NS	3971515	Grommet, 2-1/8" x 1-3/16" ID	2				
NS	3973760	Enclosure, Mega Fuse Holder	1				



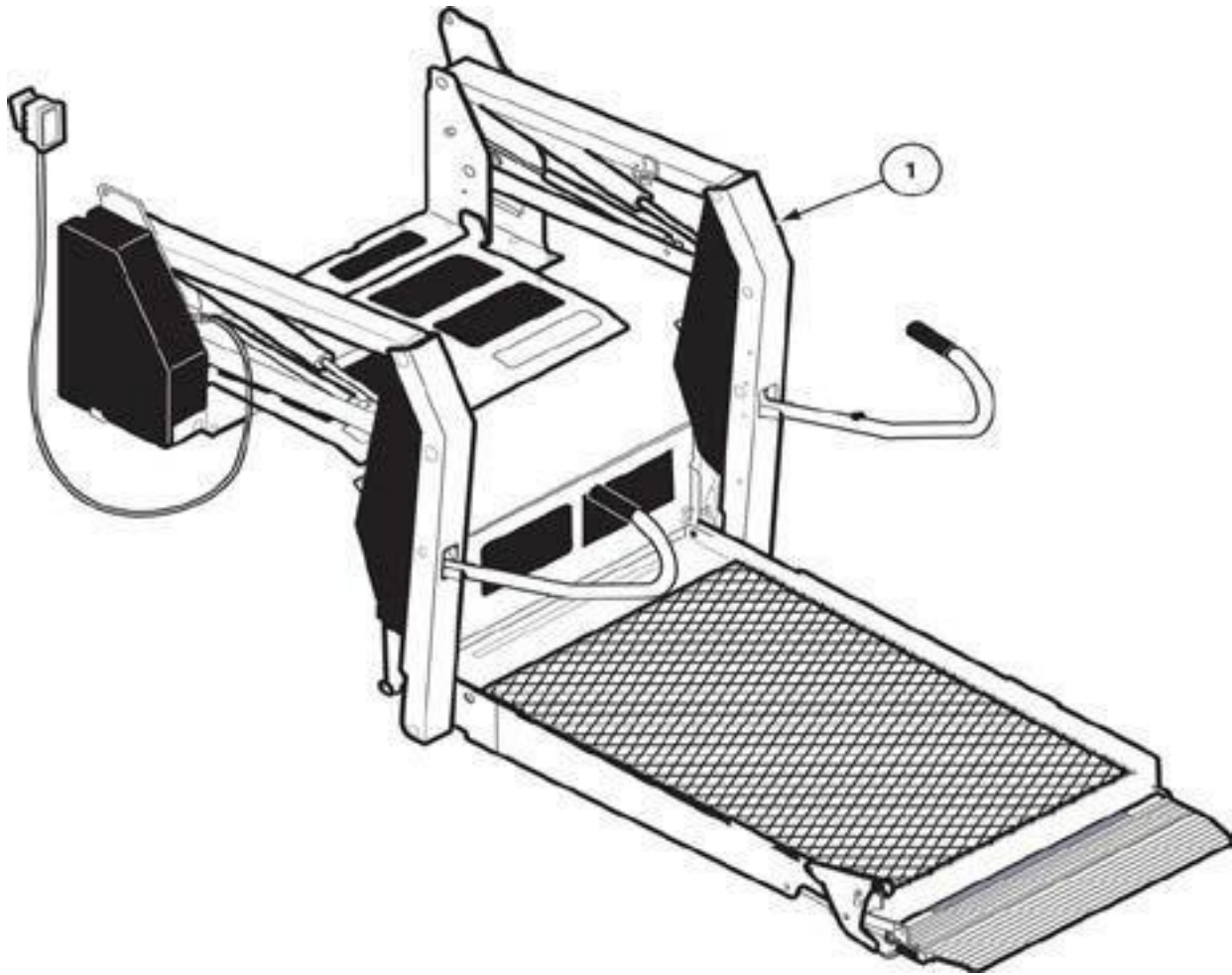
LIFT PACKAGE RICON S-5010
0413797 / CH000FF -CH000FP65516

<i>ITEM PART NO.</i>	<i>DESCRIPTION</i>	<i>QTY</i>	<i>ITEM PART NO.</i>	<i>DESCRIPTION</i>	<i>QTY</i>
01	3973313 LIFT PACKAGE RICON S-5010 FORD GAS	1			



INTERLOCK/FAST IDLE INPOWER FORD
0415749 / Ch000FU65516/ CH000FP65516

<i>ITEM PART NO. DESCRIPTION</i>	<i>QTY</i>	<i>ITEM PART NO. DESCRIPTION</i>	<i>QTY</i>
01 3974121 Module, Interlock Fast Idle Ford Inp	1		
NS 3974122 Display, Interlock Fast Idle Ford Inp	1		
NS 3974130 Harness, Ford InPower	1		



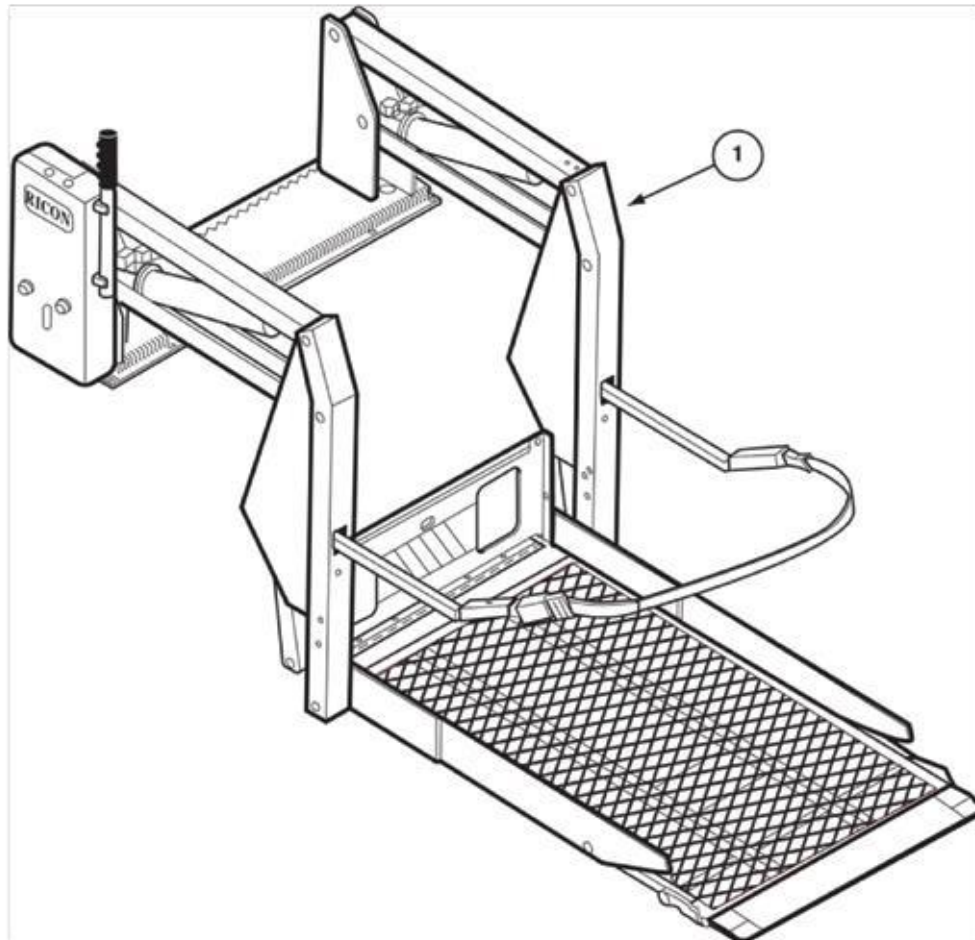
Ricon KleaRvue K-5010
cH000F565514 / 0413801

<i>ITEM</i>	<i>PART NO.</i>	<i>DESCRIPTION</i>	<i>QTY</i>	<i>ITEM</i>	<i>PART NO.</i>	<i>DESCRIPTION</i>	<i>QTY</i>
01	3973314	Lift, Ricon K5010	1				
NS	3975458	Interlock, F550 Fast Idle & Lift 10/11	1				
NS	3971807	Breaker, 90 AMP Main Ricon	1				
NS	3971515	Grommet, 2 1/8" x 1-3/16" ID	2				
NS	0376133	Gusset, Para Pre Hung CH-CTS	3				



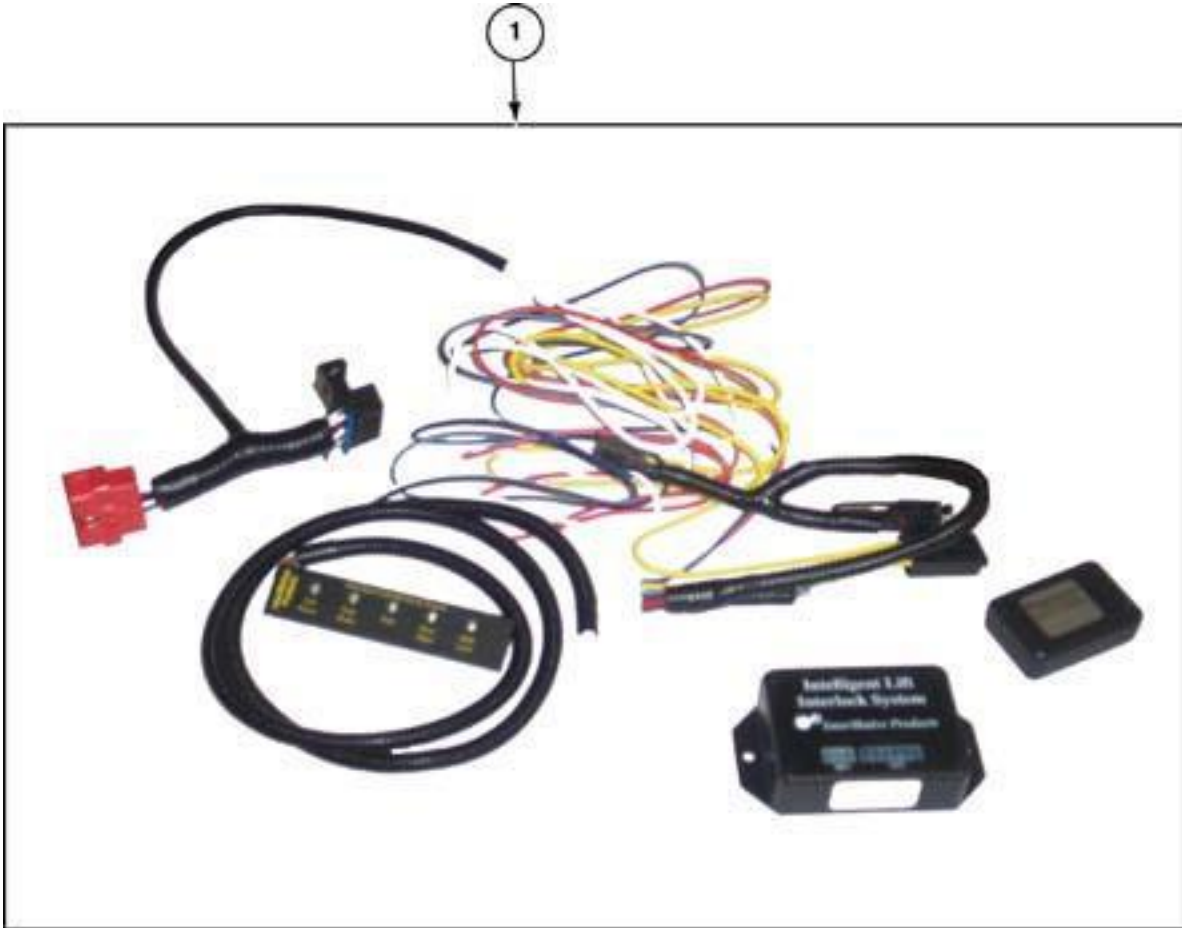
interior lift light - ricon
cH000FF65514 / 0418963

<i>ITEM PART NO. DESCRIPTION</i>	<i>QTY</i>	<i>ITEM PART NO. DESCRIPTION</i>	<i>QTY</i>
1 3971914 Light, 4" Round Interior Lift	1		
2 3971471 Grommet, Rubber 4" Tail Light	1		
NS 3971024 Bezel, 4" Round Interior Lift Light	1		



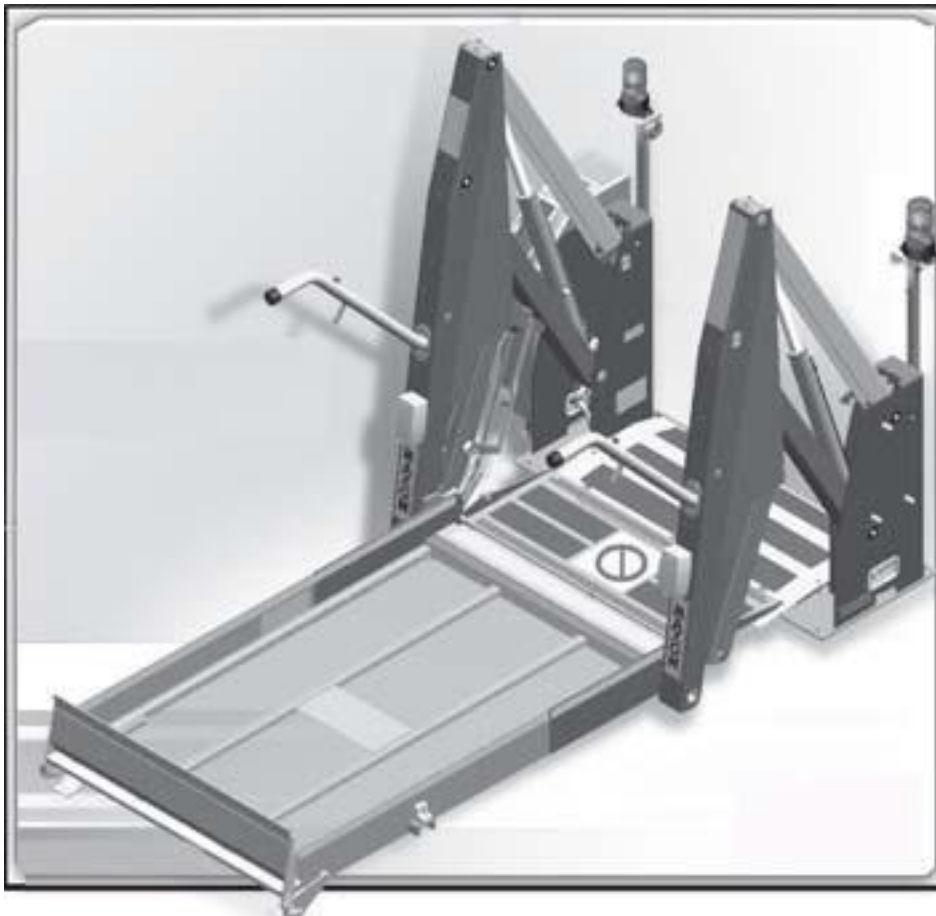
ricon lift s-5010 DF-F550
DF000F565516 - 0413797

<i>ITEM PART NO. DESCRIPTION</i>	<i>QTY</i>	<i>ITEM PART NO. DESCRIPTION</i>	<i>QTY</i>
01 3973313 Lift, Ricon S5010 ADA (403/4)	1		
N/S 1540715 Rubber, Black .13 x 34.5 Smooth	A/R		
N/S 3971311 Cable, Battery 4GA SGX Red	A/R		
N/S 0414025 Placement, Lift Structure	1		
N/S 3971807 Breaker, 90 AMP Main Ricon	1		
N/S 0374475 Shim, Ricon Lift	2		
N/S 3972777 Harness, Lift STD Challenger	1		



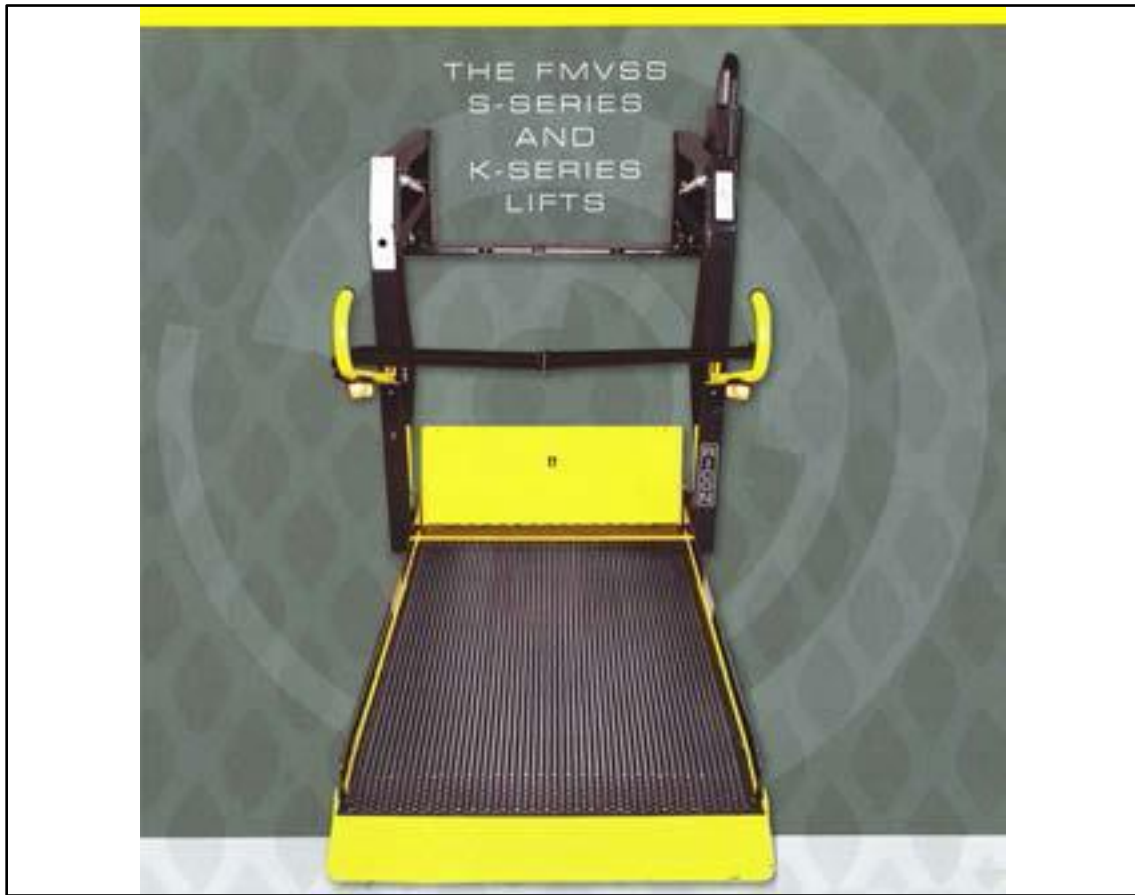
**INTERLOCK/FAST IDLE INPOWER FORD
DF000F565516 / 3975458**

<i>ITEM</i>	<i>PART NO.</i>	<i>DESCRIPTION</i>	<i>QTY</i>	<i>ITEM</i>	<i>PART NO.</i>	<i>DESCRIPTION</i>	<i>QTY</i>
01	3975458	Interlock, F550 Fast Idle & Lift 10/11	1				



**maxon lift, 1000 lb front pump
0420491**

<i>ITEM</i>	<i>PART NO.</i>	<i>DESCRIPTION</i>	<i>QTY</i>	<i>ITEM</i>	<i>PART NO.</i>	<i>DESCRIPTION</i>	<i>QTY</i>
01	3975632	LIFT, MAXON FRNT PUMP 1000#	1				
NS	3975477	INTERLOCK, FORD '11 GATEWAY FAST IDLE	1				
NS	3975254	HARNES, LIFT STOW	1				
NS	0419711	PLACEMENT, MAXON WL-C 1K W/C LIFT ST	1				
NS	0419826	PLACEMENT, W/C LIFT MAXON WL 7C 1K	1				



ricon lift K-5510

0421451/ 0421450 - 3975739

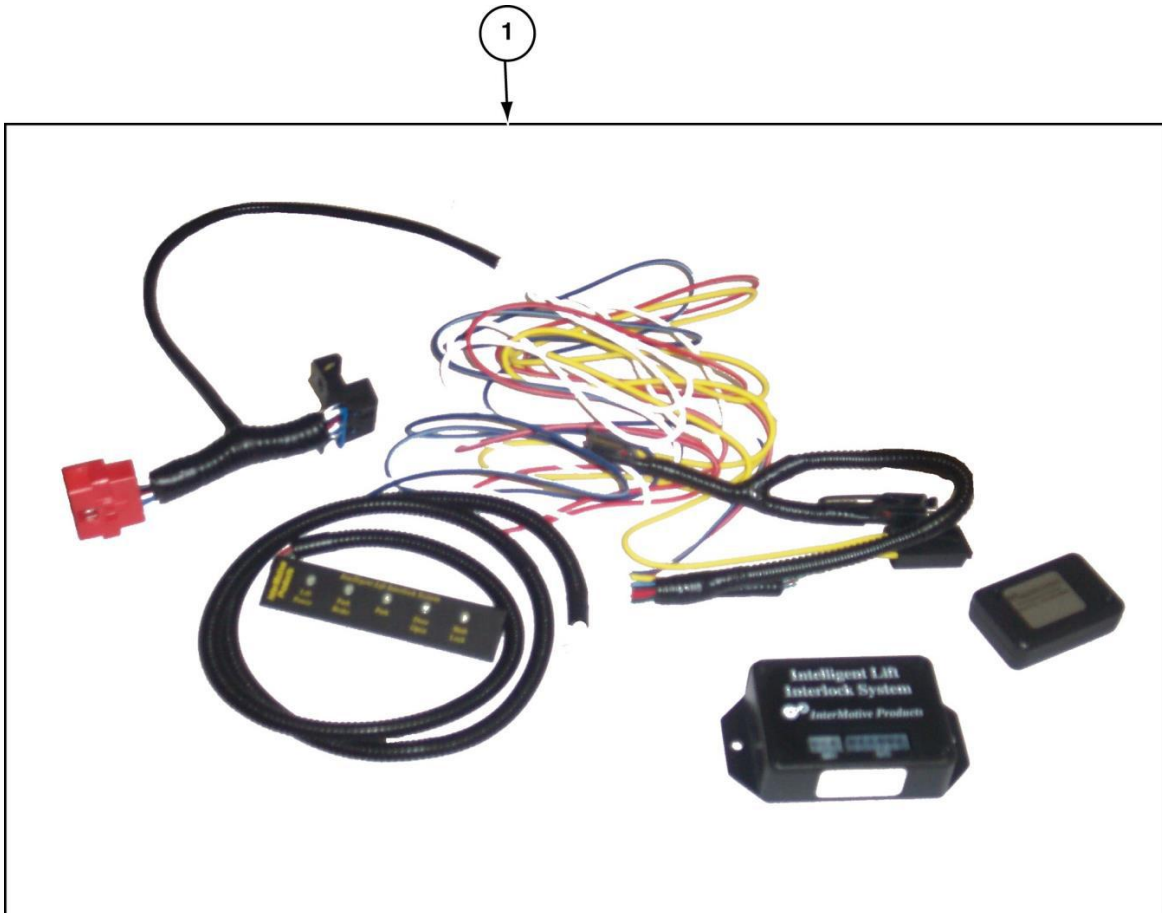
<u>ITEM PART NO. DESCRIPTION</u>	<u>QTY</u>	<u>ITEM PART NO. DESCRIPTION</u>	<u>QTY</u>
0421450 Install, Lift Ricon K5510 FDOT 1000 lb.			
01 3975739 Lift, Ricon K-5510 1,000 lb. 403/404 FD	1		
NS 3975536 Interlock, Frlghter/ With Plug-N-Play	1		
NS 3975427 Harness, Interlock M2	1		
NS 3971807 Breaker, 90 AMP Main Ricon	1		
NS 3971515 Grommet, 2-1/8" x 1-3/16" ID	2		
NS 0374475 Shim, Ricon Lift	2		
NS 0375845 Steel, Flat 11GA 6 x 120 HRS	1		
NS 8940561 Decal, Paratransit 8.75 x 8.75	1		
NS 3975292 Bracket, Braun Hand Control F-DOT	1		
NS 3973791 Kit, Padding Lift Ricon 5000 Series	1		
NS 3973825 Decal, Florida State Certification	1		
NS 8971022 Tape, Conspicuity 3M Red/White 3" x Ar	1		

1



INTERLOCK/FAST IDLE INPOWER FORD CH000FU60007 / 0415749

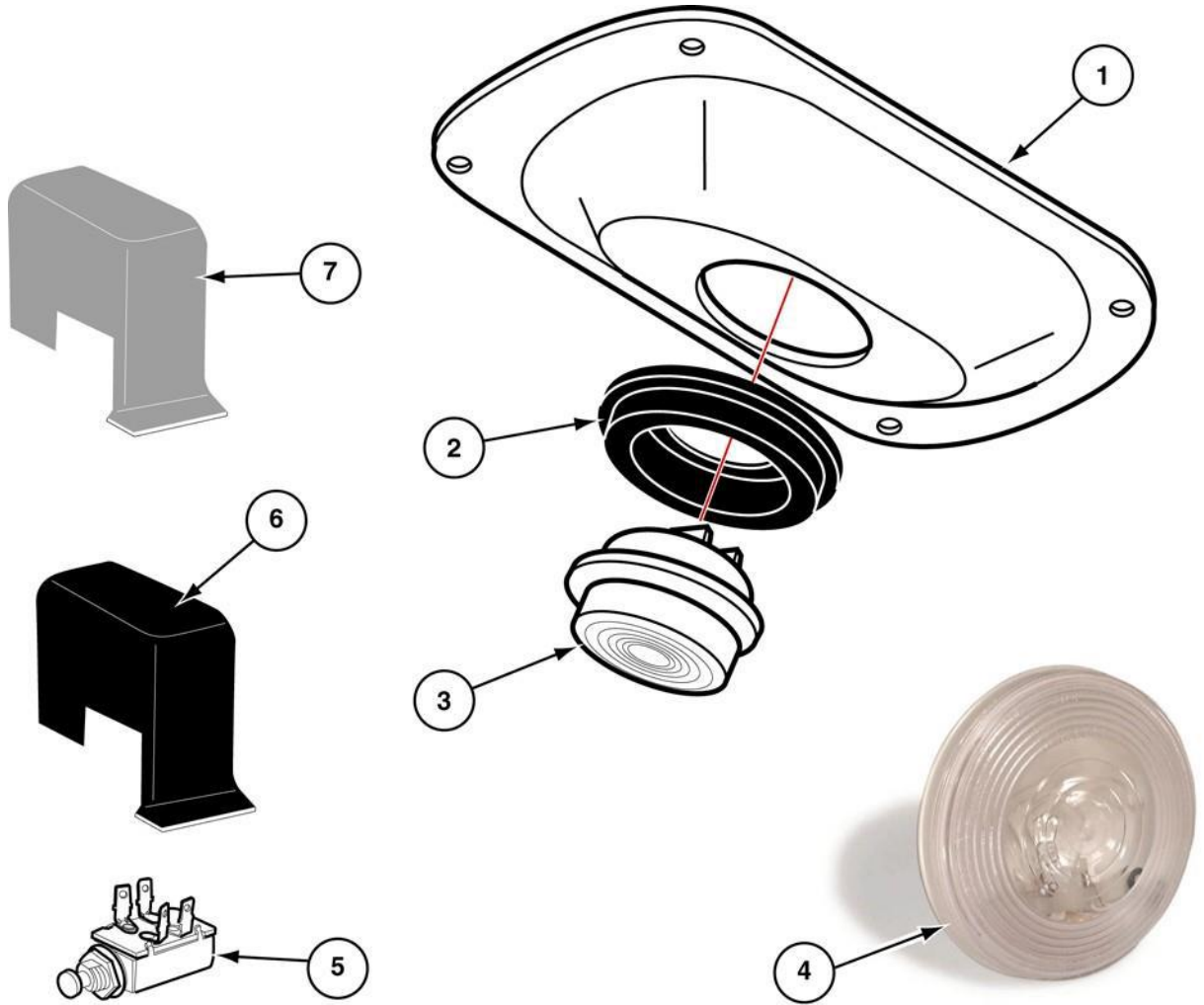
<i>ITEM PART NO. DESCRIPTION</i>	<i>QTY</i>	<i>ITEM PART NO. DESCRIPTION</i>	<i>QTY</i>
01 3974121 Module, Interlock Fast Idle Ford Inp	1		
NS 3974122 Display, Interlock Fast Idle Ford Inp	1		
NS 3974130 Harness, Ford InPower	1		



INTERLOCK/FAST IDLE INPOWER FORD

CH-000-900-5502 / 0415749

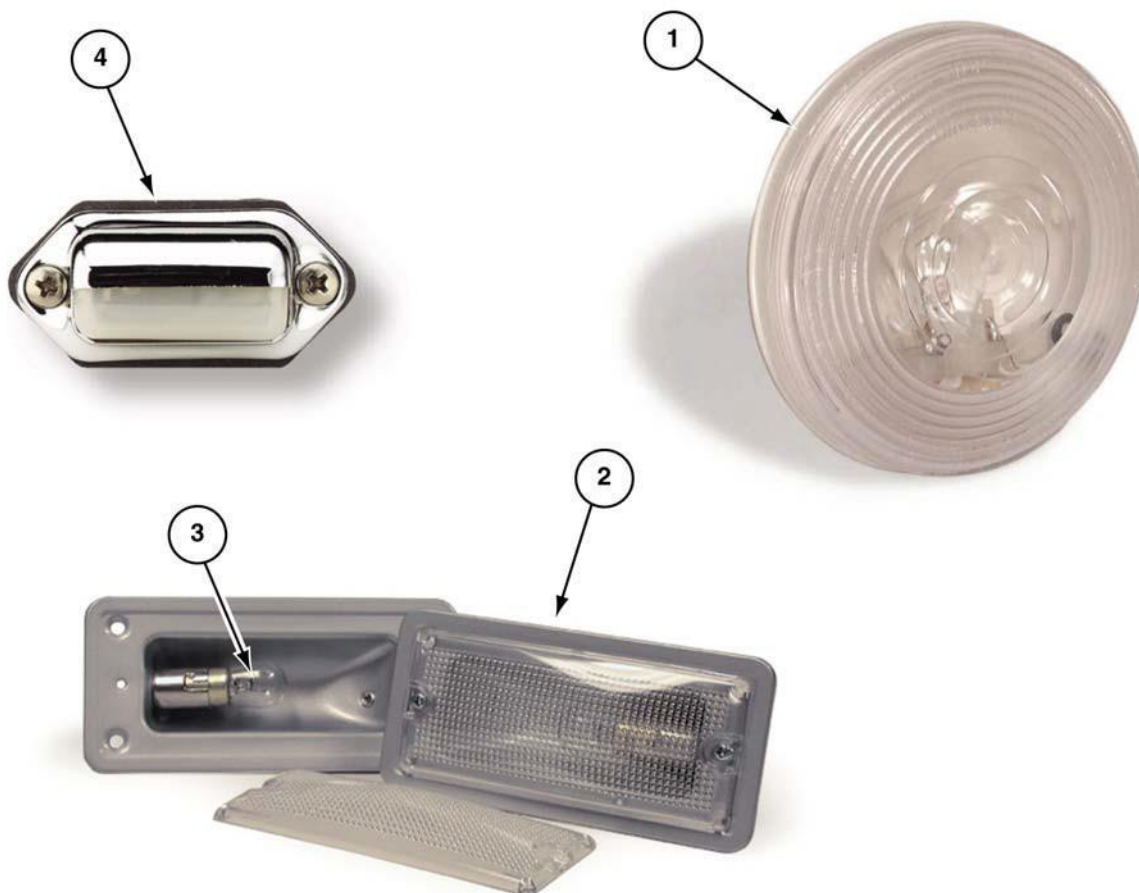
<i>ITEM PART NO. DESCRIPTION</i>	<i>QTY</i>	<i>ITEM PART NO. DESCRIPTION</i>	<i>QTY</i>
01 3974121 Module, Interlock Fast Idle Ford Inp	1		
NS 3974122 Display, Interlock Fast Idle Ford Inp	1		
NS 3974130 Harness, Ford InPower	1		



LIFT DOOR ACTUATED LIGHTING

CH-000-900-5502 / CX-000-900-3162

<i>ITEM PART NO.</i>	<i>DESCRIPTION</i>	<i>QTY</i>	<i>ITEM PART NO.</i>	<i>DESCRIPTION</i>	<i>QTY</i>
01	3371024 BEZEL, 4" ROUND INTERIOR LIFT LIGHT	1			
02	3972986 GROMMET, 4" DIA.	1			
3	3971914 LIGHT, 4" ROUND INTERIOR LIFT	1			
4	3971447 LIGHT, CLEAR	1			
5	3971963 SWITCH, DOOR POST JAMB (N/C)	1			
6	3371079 COVER, JAMB SWITCH	1			
7	3371674 COVER, LIFT DOOR SWITCH (GRAY)	1			



DOOR ACTIVATED ENTRANCE LIGHTING

CH-000-900-5502 / CX-000-900-3174

<i>ITEM</i>	<i>PARTNO.</i>	<i>DESCRIPTION</i>	<i>QTY</i>	<i>ITEM</i>	<i>PARTNO.</i>	<i>DESCRIPTION</i>	<i>QTY</i>
1	3971447	LIGHT, ROUND BACKUP	2				
2	3943917	LIGHT, WITHOUT SWITCH	1				
03	3971470	BULB (1141)	1				
04	3971448	LIGHT, COURTESY (M434)	2				
NS	8570943	SCREW (8x3/4 PANQUAD)	4				
NS	3971963	SWITCH, DOORPOST JAMB (NC)	2				
NS	3971471	GROMMET, TAIL LIGHT RUBBER	1				

**FORWARD FACING
WHEELCHAIR SECUREMENT LOCATION**



wheelchair location sign

CH-000-900-5502 / cx-000-900-3173

ITEM	PART NO.	DESCRIPTION	QTY	ITEM	PART NO.	DESCRIPTION	QTY
01	8970800	Label, FWD Facing Wheelchair Securement	1				



Priority seating sign

CH-000-900-5502 / cx-000-900-3132

<i>ITEM PART NO. DESCRIPTION</i>	<i>QTY</i>	<i>ITEM PART NO. DESCRIPTION</i>	<i>QTY</i>
01 8970154 Decal, "Priority Seating"	1		
02 8570812 Rivet, Pop 1/8 x .325 - .500 GRP S/S	2		
03 4370095 Steel, Coil .021 x 48 Painted	A/R		



IIFT MASTER SWITCH W/ INDICATOR LIGHT

CX-000-998-40371 / 0401982

<i>ITEM PART NO. DESCRIPTION</i>	<i>QTY</i>	<i>ITEM PART NO. DESCRIPTION</i>	<i>QTY</i>
1 3974501 LIGHT, INDICATOR GREEN	1		
2 3973881 SWITCH, CARLING ON/OFF	1		
N/S 3947066 CONNECTOR, RT 10-4848	1		
N/S 3970183 RECEPICAL, FAST-ON #187	4		



**lift master switch w/ indicator light
cx0000024037 / 0401982**

<i>ITEM PART NO. DESCRIPTION</i>	<i>QTY</i>	<i>ITEM PART NO. DESCRIPTION</i>	<i>QTY</i>
1 3974501 Light, Indicator Green	1		
2 3973881 Switch, Carlling ON/OFF	1		
NS 3947066 Connector, RT 10-4848	1		
NS 3973881 Receptical, Fast-On	4		

No Picture Available at This Time

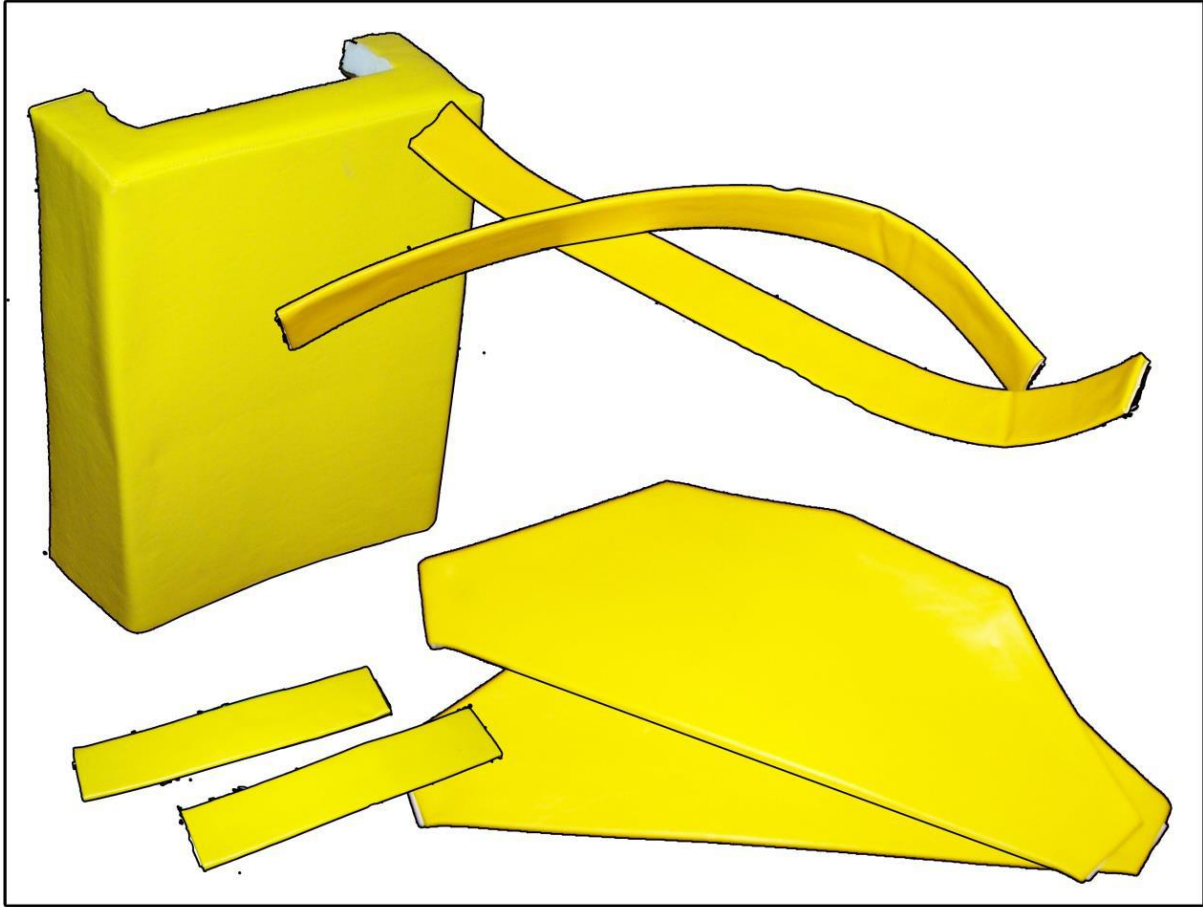
**cover, lifT froNT Post -froNT lifT
0418444**

<i>ITEM PART NO. DESCRIPTION</i>	<i>QTY</i>	<i>ITEM PART NO. DESCRIPTION</i>	<i>QTY</i>
01 3371271 Cover, FRNT Post , Frnt Lift Door	1		



**26" stanley storage box
0413992**

<i>ITEM PART NO. DESCRIPTION</i>	<i>QTY</i>	<i>ITEM PART NO. DESCRIPTION</i>	<i>QTY</i>
01 0377753 Box, Tool Stanley Pro 26"	1		



BRAUN PADDING KIT 0414638

<i>ITEM PART NO. DESCRIPTION</i>	<i>QTY</i>	<i>ITEM PART NO. DESCRIPTION</i>	<i>QTY</i>
01 3973696 Kit Padding Braun Lift F-DOT	1		



Braun Padding Kits 0418837

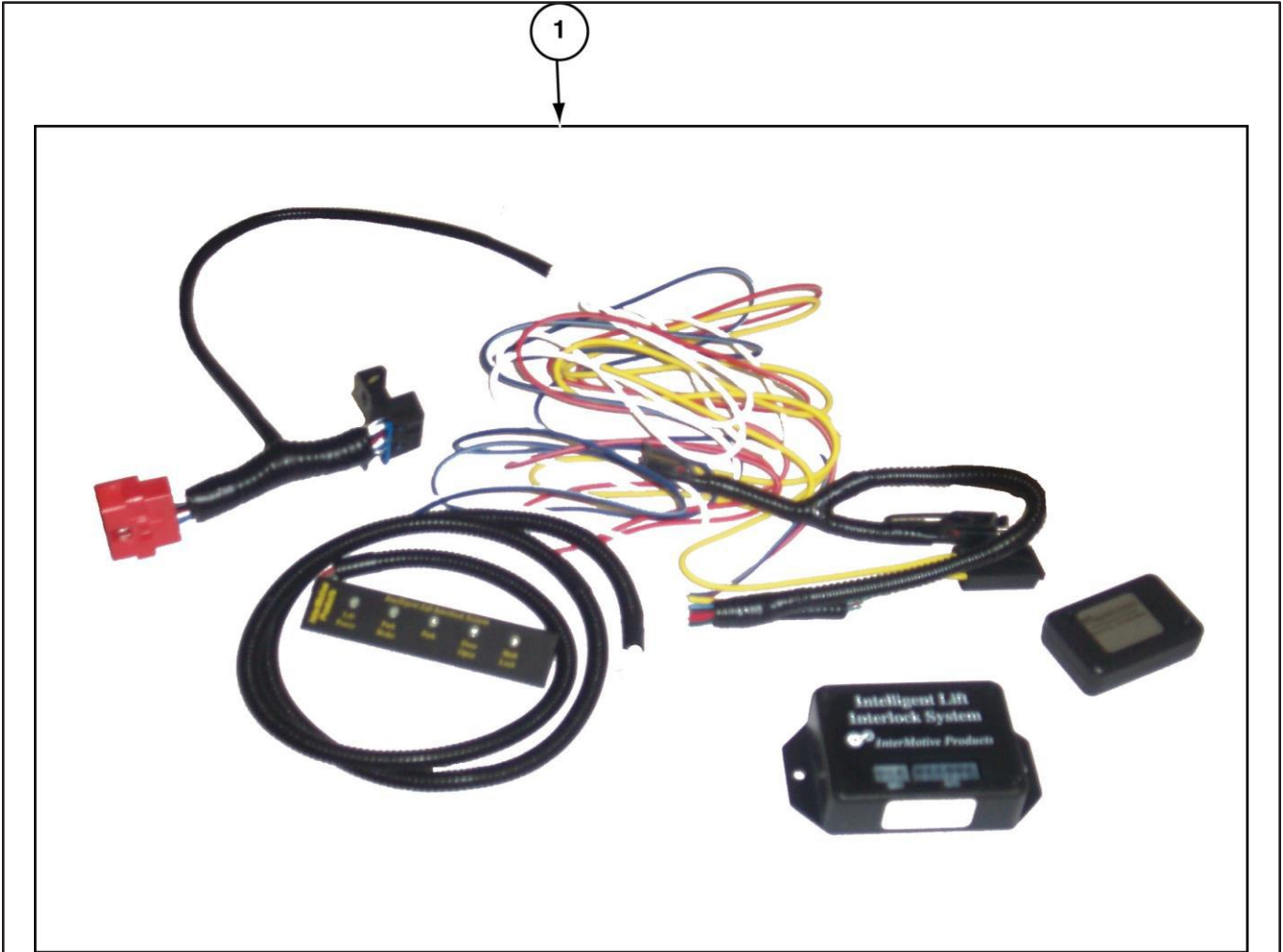
<i>ITEM</i>	<i>PART NO.</i>	<i>DESCRIPTION</i>	<i>QTY</i>	<i>ITEM</i>	<i>PART NO.</i>	<i>DESCRIPTION</i>	<i>QTY</i>
0418837 Install, Braun Lift Cover							
01	3973402	Kit California Padding 403/4 Braun	1				
CX000BR63009 Braun California Padding Kit							
01	3973696	Kit, Padding Braun Lift	1				

1



INTERLOCK/FAST IDLE INPOWER FORD 0415749 / 0413799

<i>ITEM PART NO. DESCRIPTION</i>	<i>QTY</i>	<i>ITEM PART NO. DESCRIPTION</i>	<i>QTY</i>
01 3974121 Module, Interlock Fast Idle Ford Inp	1		
NS 3974122 Display, Interlock Fast Idle Ford Inp	1		
NS 3974130 Harness, Ford InPower	1		



**INTERLOCK, ILIS FAST IDLE
0413807F / Cx000FP20108**

<i>ITEM PART NO. DESCRIPTION</i>	<i>QTY</i>	<i>ITEM PART NO. DESCRIPTION</i>	<i>QTY</i>
01 6170391 Interlock, ILIS Gas/DSL Fast Idle	1		
NS 6170555 Kit, Interlock Activation 2009	1		

1



**INSTALL ILIS BRAKE INTERLOCK SYSTEM
0415750 / (CH000FP65517)**

<i>ITEM</i>	<i>PARTNO.</i>	<i>DESCRIPTION</i>	<i>QTY</i>	<i>ITEM</i>	<i>PARTNO.</i>	<i>DESCRIPTION</i>	<i>QTY</i>
01	6170391	INTERLOCK, ILIS FD GAS/DSL / FAST	1				
01	6170393	KIT, INTERLOCK ACTIVATION 2005 GAS	1				



interlock ilis system
3975305

<i>ITEM PART NO. DESCRIPTION</i>	<i>QTY</i>	<i>ITEM PART NO. DESCRIPTION</i>	<i>QTY</i>
01 3975305 Interlock, ILIS Ford '10 Gas/DSL	1		



interlock ilis system
0420438

<i>ITEM PART NO. DESCRIPTION</i>	<i>QTY</i>	<i>ITEM PART NO. DESCRIPTION</i>	<i>QTY</i>
01 3975524 Interlock, Gateway 506 F550	1		



TIEDOWN STORAGE POUCH
0410761

<i>ITEM</i>	<i>PARTNO.</i>	<i>DESCRIPTION</i>	<i>QTY</i>	<i>ITEM</i>	<i>PARTNO.</i>	<i>DESCRIPTION</i>	<i>QTY</i>
01	7371357	POUCH KINEDYNETIEDOWN GRAY VINYL	1				



INSTALL Q'-STRAINT STORAGE POUCH
0406558 / CX0000060025

<i>ITEM</i>	<i>PARTNO.</i>	<i>DESCRIPTION</i>	<i>QTY</i>	<i>ITEM</i>	<i>PARTNO.</i>	<i>DESCRIPTION</i>	<i>QTY</i>
01	7371347	POUCH Q-STRAINT TIEDOWN BLACK VINYL	1				



tiedown storage pouch-gray
cx0000060026

<i>ITEM PART NO. DESCRIPTION</i>	<i>QTY</i>	<i>ITEM PART NO. DESCRIPTION</i>	<i>QTY</i>
01 7371357 Pouch, Kinedyne Tiedown Gray Vinyl	1		
NOTE: Picture is of Black Vinyl			



Scooter Belt 0421012

<i>ITEM</i>	<i>PART NO.</i>	<i>DESCRIPTION</i>	<i>QTY</i>	<i>ITEM</i>	<i>PART NO.</i>	<i>DESCRIPTION</i>	<i>QTY</i>
1	7371215	Track, Tiedown Aluminum w/ Flange	A/R				
2	7371703	Belt, QSTRAINT Scooter	1				



1

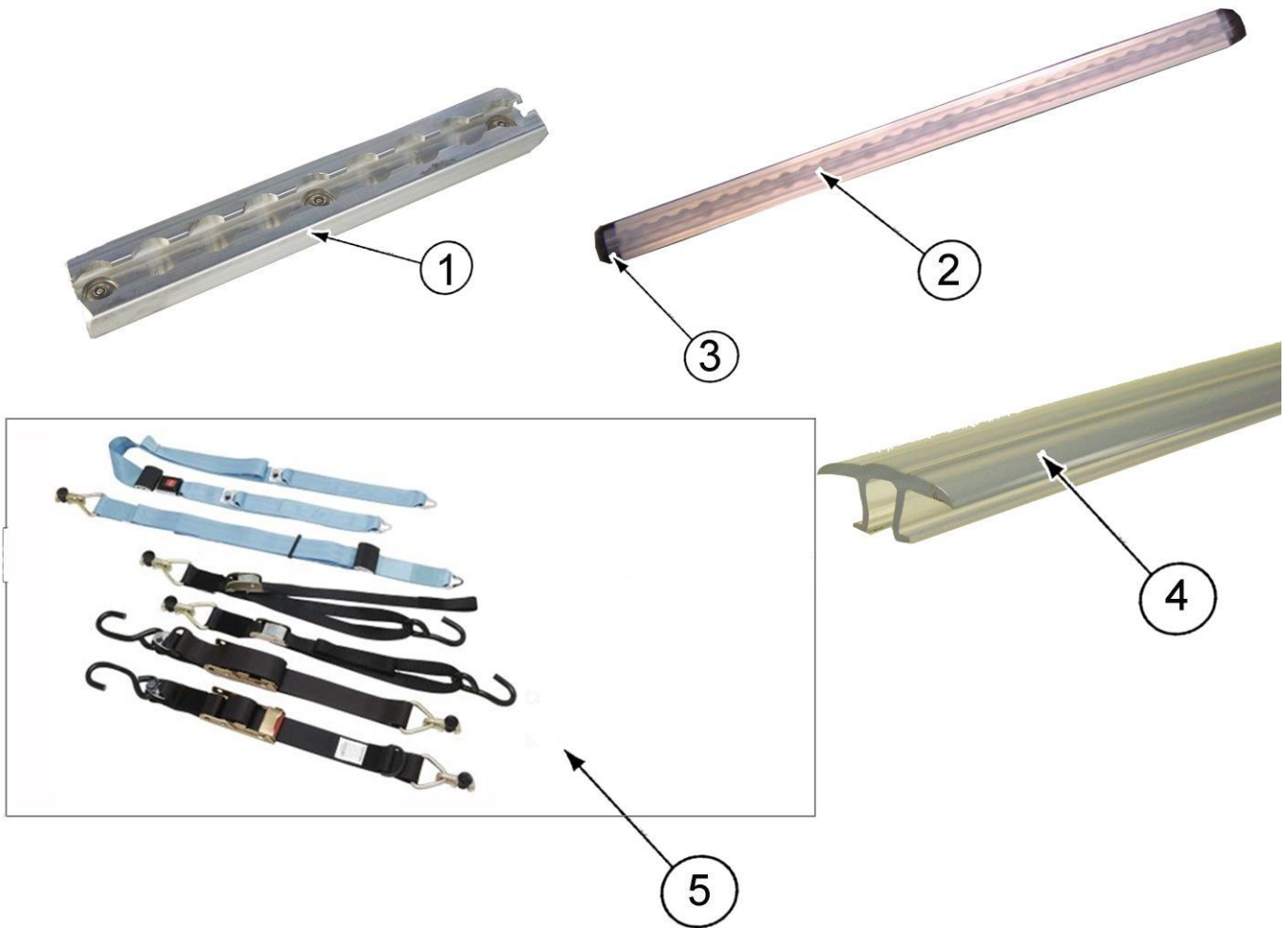
**Q'Straint, tiedown Qrt 3.1 Q8100
CX0000060012**

<i>ITEM PART NO. DESCRIPTION</i>	<i>QTY</i>	<i>ITEM PART NO. DESCRIPTION</i>	<i>QTY</i>
01 7371451 Tiedown, QRT Retractable System	1		
N/S 3370046 Insert, Clear Seat Track x 96	A/R		
N/S 7371133 End, Floor Track - Silver Plastic	8		
N/S 7371215 Track, Tiedown Alum-L W/Flange	A/R		
N/S 0374644 Steel, Flat 11GA x 4 x10'	1		
N/S 4570061 Track, Tiedown Alum-L W/O Flange	1		



INSTALL Q'-STRAINT SLIDE-N-CLICK RESTRAINTS 0413345

<i>ITEM PART NO. DESCRIPTION</i>	<i>QTY</i>	<i>ITEM PART NO. DESCRIPTION</i>	<i>QTY</i>
1 7371555 RESTRAINT, Q'-STRAINT SLIDE-N-CLICK	1		
2 7371347 POUCH, Q'-STRAINT TIEDOWN BLACK VINYL	1		
3 7371405 CUTTER, TIEDOWN BELT	1		



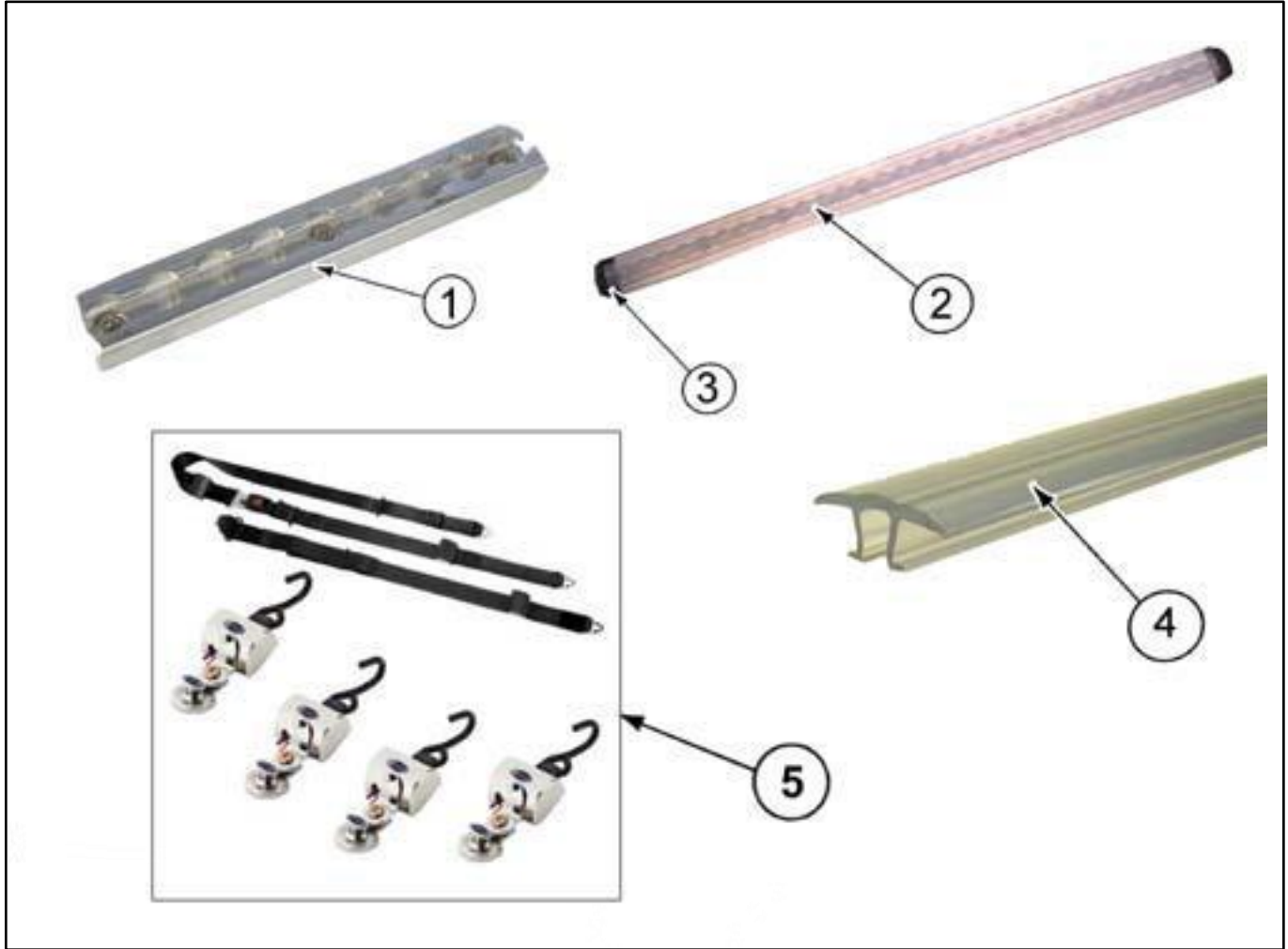
**Q-Straint tiedown CBI Q-5012
CX0000060011**

<i>ITEM PART NO. DESCRIPTION</i>	<i>QTY</i>	<i>ITEM PART NO. DESCRIPTION</i>	<i>QTY</i>
1 7371215 Track, Tiedown Aluminum W/ Flange	AR		
2 4570061 Track, Tiedown Aluminum WO Flange	AR		
3 7371133 End, Floor Track - Silver Plastic	8		
4 3370046 Insert, Clear Seat Track	AR		
05 7371283 Q-Straint, Kit 5011 W/ 27" Belt	1		
NS 0374644 Steel, Flat 11GA x 4 x 10'	1		



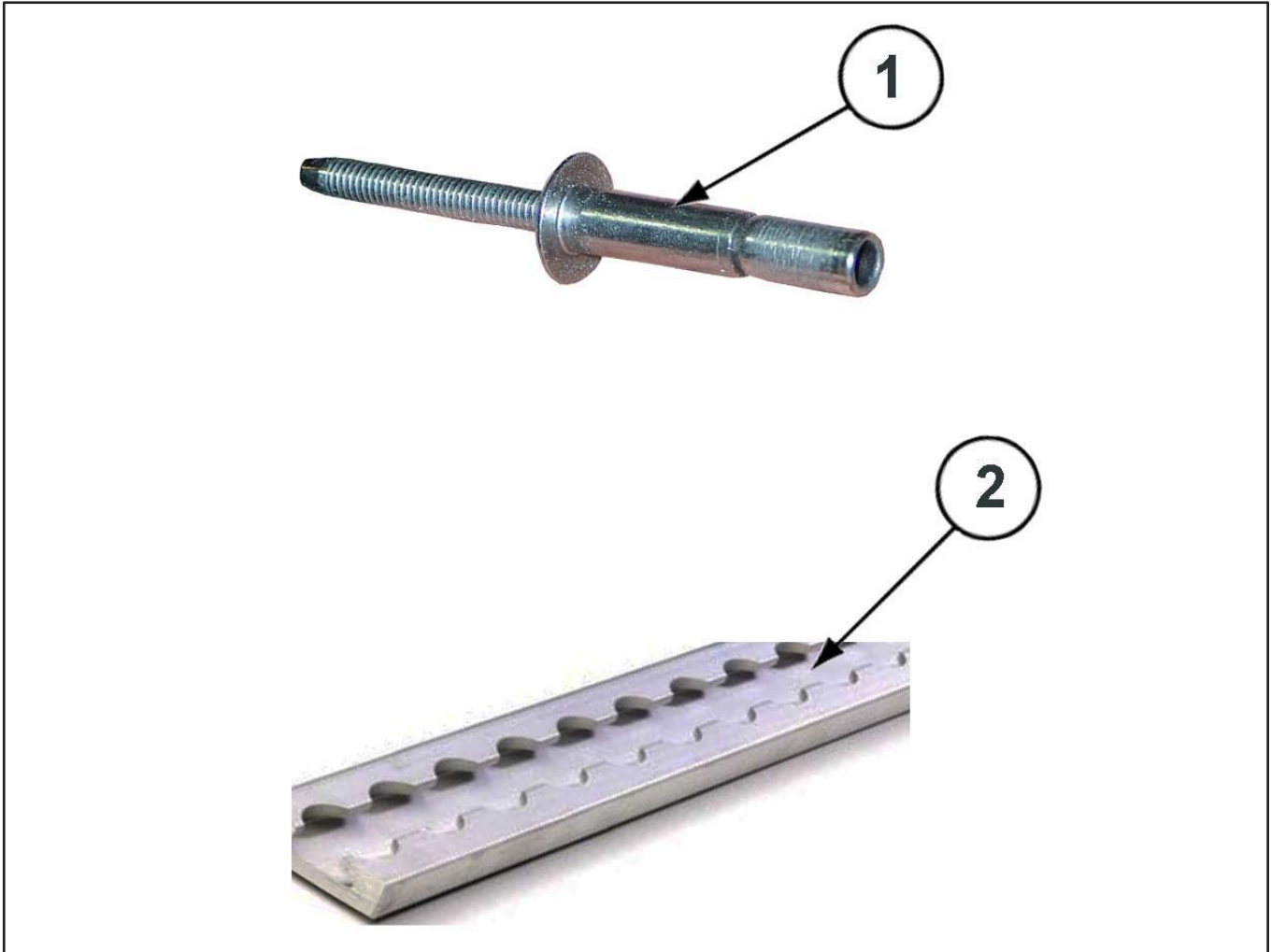
q-strait tiedown max retractable
0416519 / 0417157

<i>ITEM PART NO.</i>	<i>DESCRIPTION</i>	<i>QTY</i>	<i>ITEM PART NO.</i>	<i>DESCRIPTION</i>	<i>QTY</i>
01	7371630	TIEDOWN, Q-STRAINT RETRACTABLE	1		
NA	7371215	TRACK, TIEDOWN ALUMINUM-L W/Flange	AR		
NA	3370046	INSERT, CLEAR SEAT TRACK x 93.0	1		
NA	7371133	END, FLOOR TRACK - BLACK PLASTIC	8		
NA	4570061	TRACK, TIEDOWN ALUM-L W/O FLANGE	AR		



q-strait tiedown max, non-ret 0416520

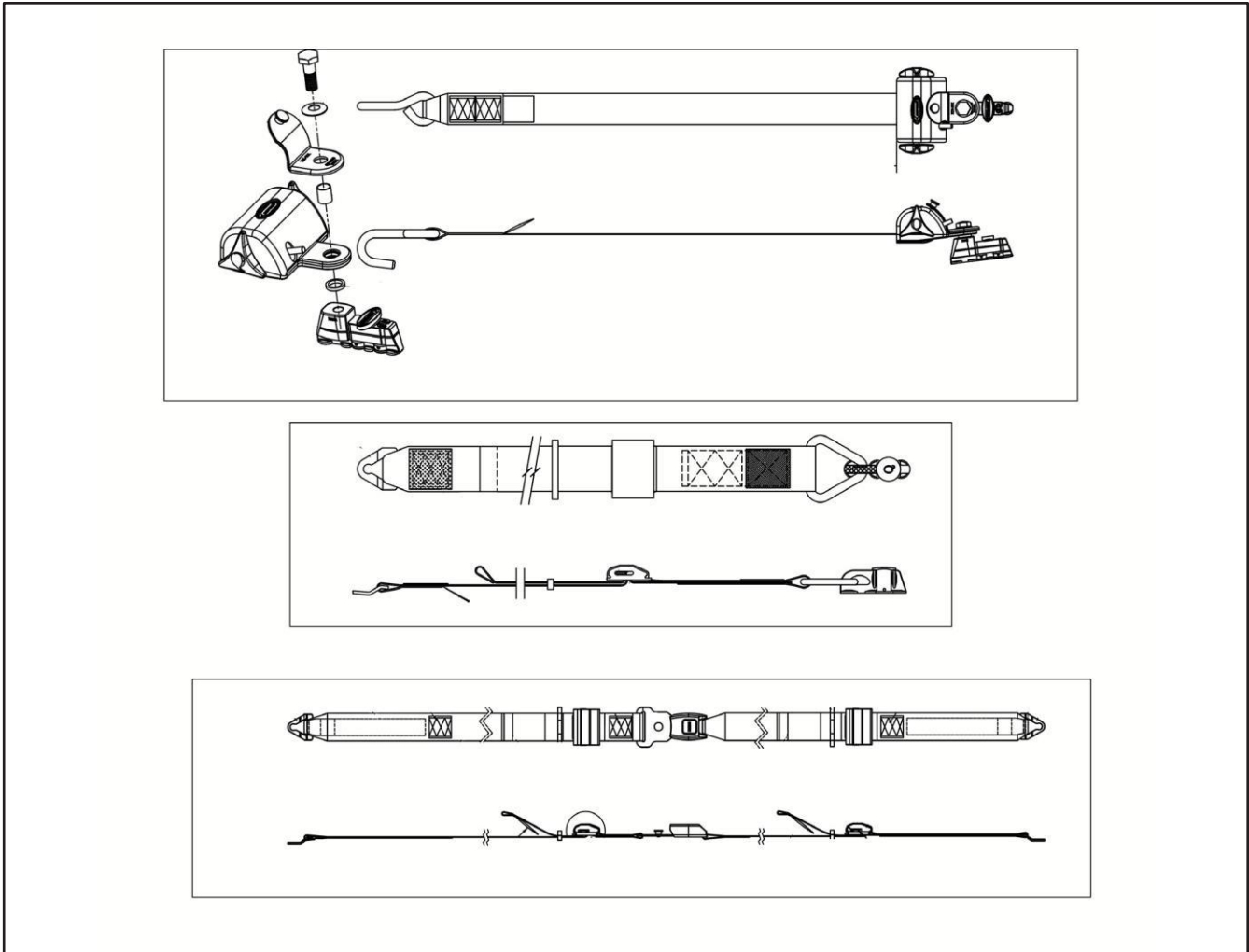
ITEM	PART NO.	DESCRIPTION	QTY	ITEM	PART NO.	DESCRIPTION	QTY
1	7371215	Tiedown Aluminum-L W/ Flange	A/R				
2	4570061	Tiedown Aluminum-L W/O Flange	A/R				
3	7371133	End, Floor Track	A/R				
4	3370046	Insert Clear Seat Track	A/R				
5	7371631	Tiedown, Q-Straint Nonret	A/R				
NS	0374644	Steel, Flat 11GA 4"x120"	A/R				



q'straint tiedown kit qrt 1.3 0416431

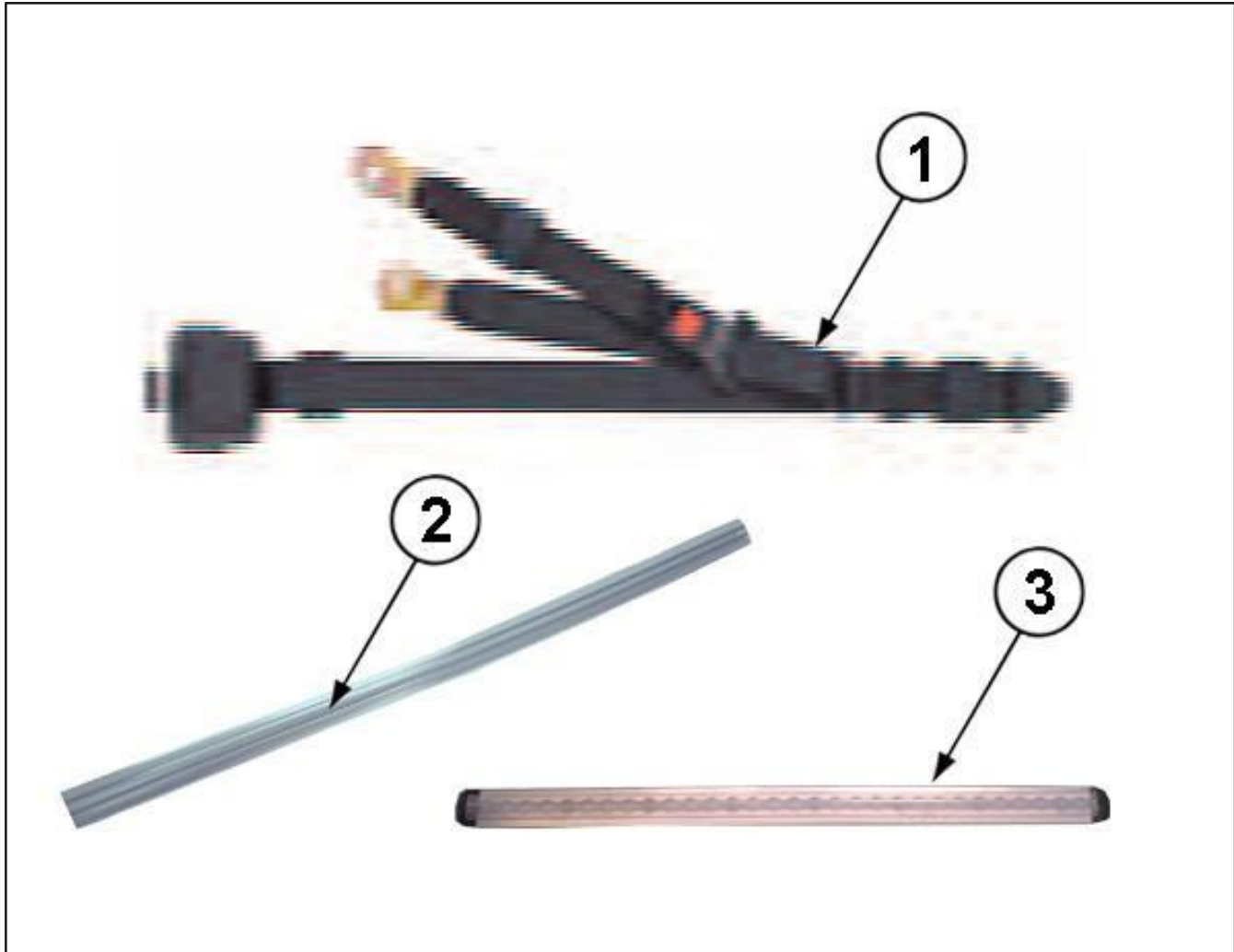
<i>ITEM PART NO. DESCRIPTION</i>	<i>QTY</i>	<i>ITEM PART NO. DESCRIPTION</i>	<i>QTY</i>
01 8570809 Bolt, Mono 1/4" gr-.350-62	3		
02 4570061 Track, Tiedown Alum. W/O Flange	1		
NS 7371601 Bracket, Shoulder Belt	1		
NS 7371481 Q'Straint, Kit Q-8122 CBI 1.3	1		

NOTE: Will update with pictures of tiedowns when those are available.



q-straint kit #q-8120
0418311

<i>ITEM PART NO. DESCRIPTION</i>	<i>QTY</i>	<i>ITEM PART NO. DESCRIPTION</i>	<i>QTY</i>
01 7371479 Q-Straint, Kit Q8120 C BI 1.1	1		



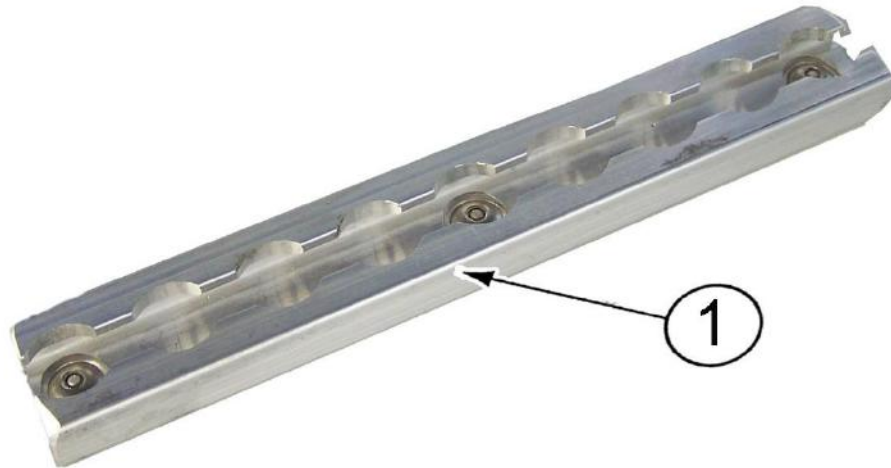
**q-strain tiedown kit q-8120- extras
0418311**

<i>ITEM PART NO. DESCRIPTION</i>	<i>QTY</i>	<i>ITEM PART NO. DESCRIPTION</i>	<i>QTY</i>
1 7371468 Belt, Shoulder 27" Longer W/L-Track	1		
2 3370046 Insert, Clear Seat Track x 96.0	0.4		
3 4570061 Track, Tiedown Aluminum-L W/O Flange	1		
NS 8570932 Screw, 8 x 1 Pan Quad Fast Cad BLK	8		
NS 8570809 Bolt, Mono CCPV-810 1/4" GR-.350	1		
NS 0374644 Steel, Flat 11GA 4" x 120"	1		



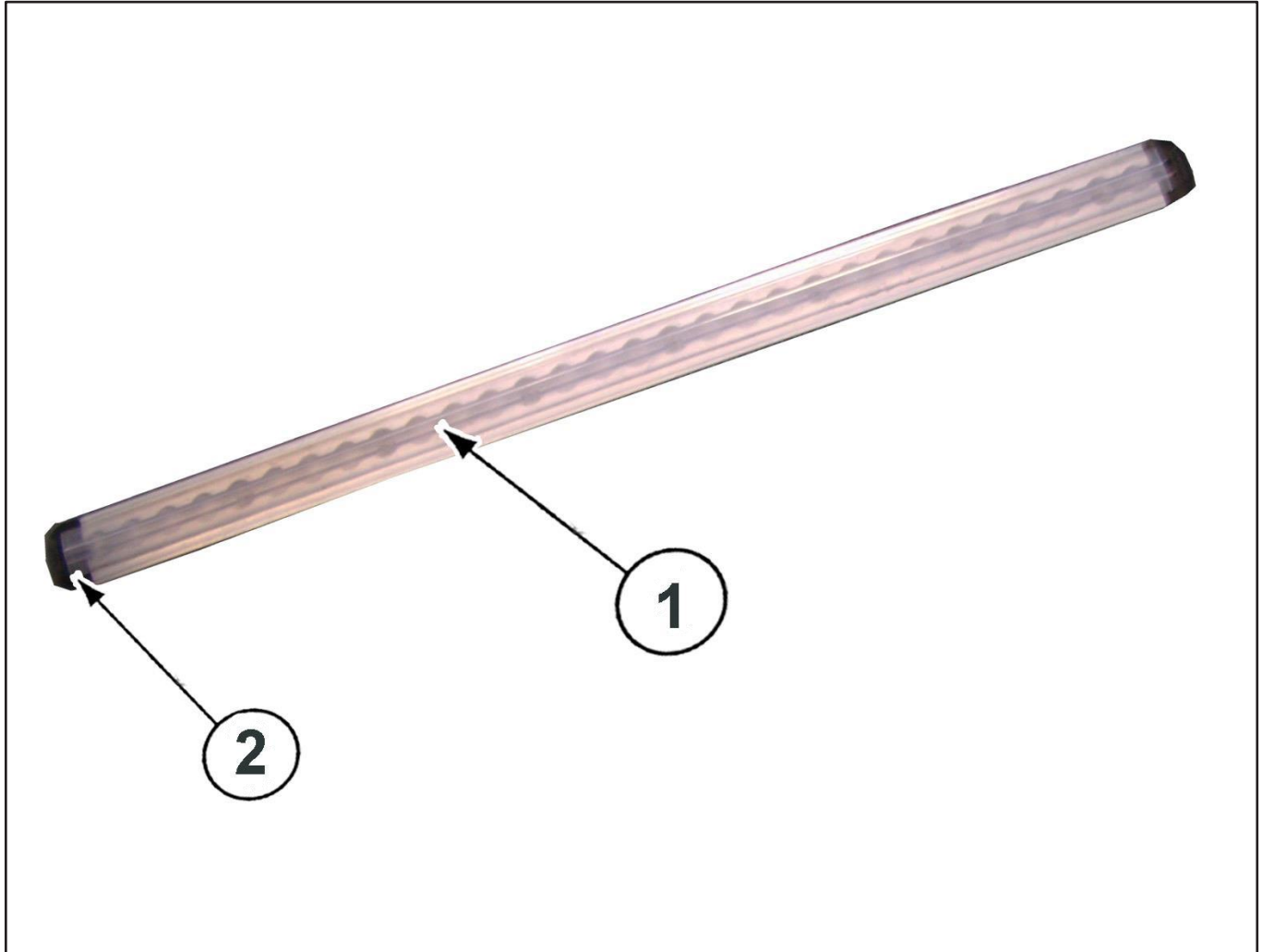
KINEDYNE TIEDOWNS FF612S-5 CX0000060051

<i>ITEM PART NO. DESCRIPTION</i>	<i>QTY</i>	<i>ITEM PART NO. DESCRIPTION</i>	<i>QTY</i>
1 7371492 TIEDOWN, KINEDYNE INTEGRATED	1		
2 4570061 TRACK, TIEDOWN ALUM-L W/O FLANGE	A/R		
3 7371215 TRACK, TIEDOWN ALUM-L W/FLANGE	A/R		
4 7371133 END, FLOOR TRACK - SILVER PLASTIC	8		
5 7371604 KIT, MOUNT SERIES - L	1		
6 3370046 INSERT, CLEAR SEAT TRACK X 96.0	1		



**Track "I" (2) 30" In lieu of (4)
0411733**

ITEM PART NO.	DESCRIPTION	QTY	ITEM PART NO.	DESCRIPTION	QTY
01	7371215 Track, Tiedown Aluminum-L W/Flange AR				
NS	0348250 Steel, Flat 11GA x 3 x 10'	1			



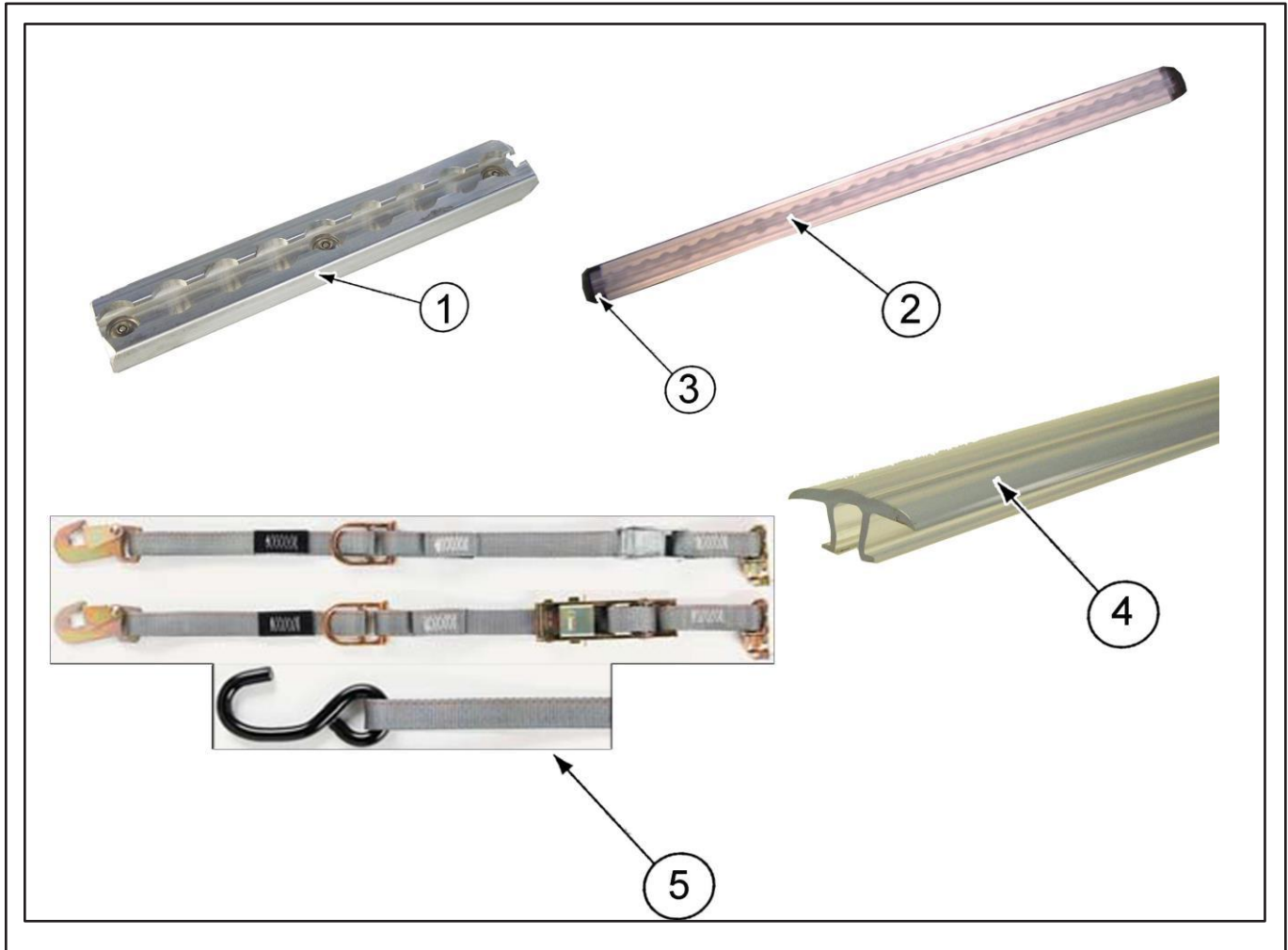
**"I" tiedown track below window
0418600**

<i>ITEM PART NO. DESCRIPTION</i>	<i>QTY</i>	<i>ITEM PART NO. DESCRIPTION</i>	<i>QTY</i>
1 4570061 Track, Tiedown Alum. - L W/OFlange	3		
2 7371133 End, Floor Track - Black Plastic	AR		
NS 0348250 Steel, Flat 11GA x 3 x 10'	3		



STORAGE BOX - RESTRAINTS
 CX-000-900-8012 / CX0000068012

<i>ITEM</i>	<i>PART NO.</i>	<i>DESCRIPTION</i>	<i>QTY</i>	<i>ITEM</i>	<i>PART NO.</i>	<i>DESCRIPTION</i>	<i>QTY</i>
01	0375289	BOX, TOOL R-420 (8-5/8 x 8-5/8 x 20.0)	1				



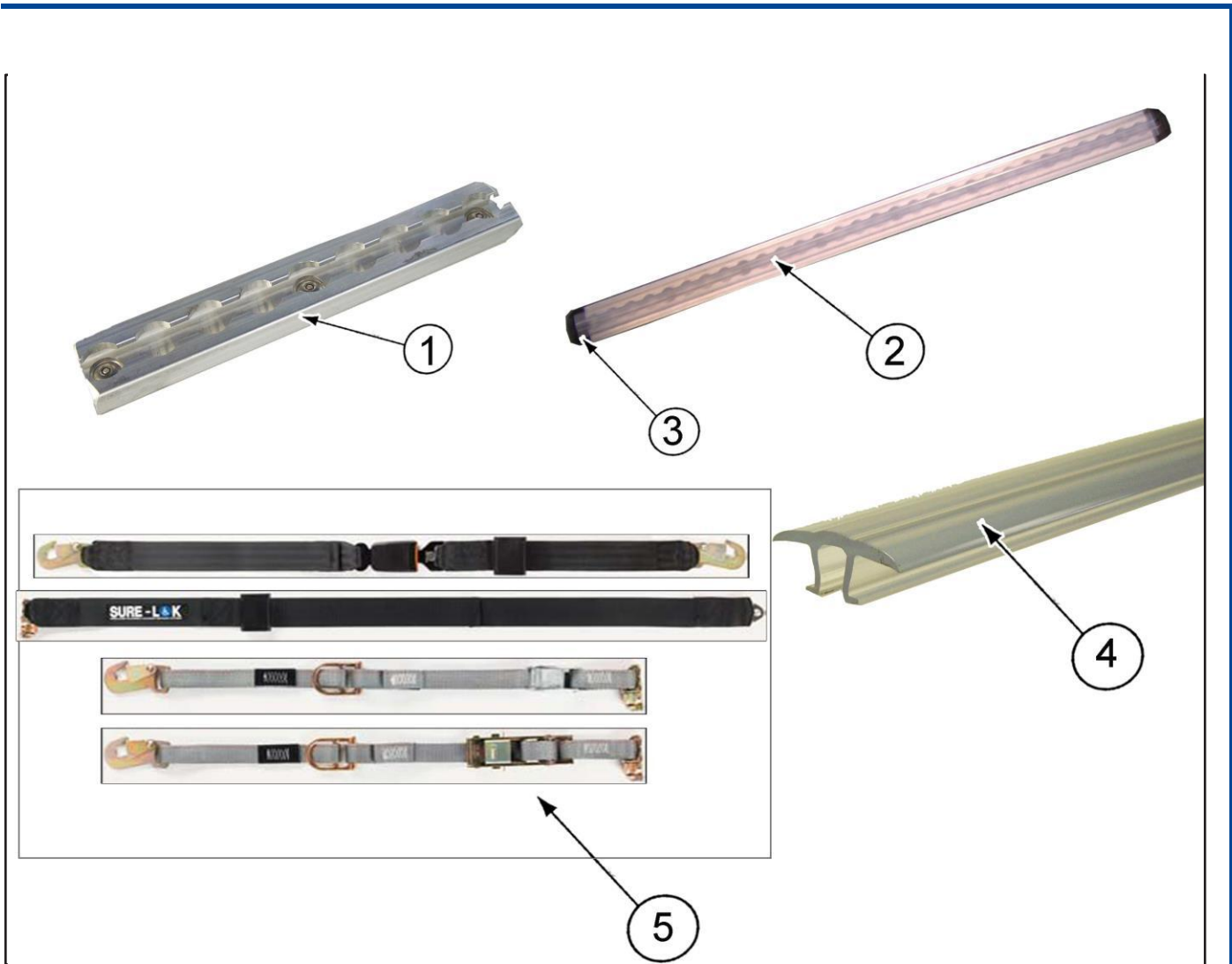
KENNEDYNE TIEDOWN FE514 W/L-TRACK 0408540 / CH0000060053

<i>ITEM PART NO. DESCRIPTION</i>	<i>QTY</i>	<i>ITEM PART NO. DESCRIPTION</i>	<i>QTY</i>
1 7371215 Track, Aluminum-L w/Flange	A/R		
2 4570061 Track, Aluminum-L W/O Flange	A/R		
3 7371133 End, Floor Track- Silver Plastic	8		
4 3370046 Insert, Clear Seat Track x 96.0	1		
5 7371491 Tiedown, Kennedyne Integr#FE514-3	1		
NS 7671604 Kit, Mount Series L FE-200747	1		
NS 0374644 Steel, Flat 11GA 4"x120"	A/R		



KINEDYNE TIEDOWNS FF612S CX0000060054

<i>ITEM PART NO. DESCRIPTION</i>	<i>QTY</i>	<i>ITEM PART NO. DESCRIPTION</i>	<i>QTY</i>
1 7371493 TIEDOWN, KINEDYNE RETRACTABLE	1		
2 4570061 TRACK, TIEDOWN ALUM-L W/O FLANGE	A/R		
3 7371215 TRACK, TIEDOWN ALUM-L W/FLANGE	A/R		
4 7371133 END, FLOOR TRACK - SILVER PLASTIC	8		
5 7371604 KIT, MOUNT SERIES - L	1		
N/S 3370046 INSERT, CLEAR SEAT TRACK X 96.0	1		



KINNEYDNE TIEDOWN FE576 W/L TRACK

Cx0000060001 / 0406476

<i>ITEM PART NO. DESCRIPTION</i>	<i>QTY</i>	<i>ITEM PART NO. DESCRIPTION</i>	<i>QTY</i>
1 7371215 Track, Aluminum-L w/Flange	A/R		
2 4570061 Track, Aluminum-L W/O Flange	A/R		
3 7371133 End, Floor Track- Black Plastic	8		
4 3370046 Insert, Clear Seat Track x 96.0	1		
5 7371442 Kinneydne Kit #FE576	1		
NS 0374644 Steel, Flat 11GA 4"x120"	A/R		
NS 0342428 Steel, Flat 16GA X6 x96"	A/R		



Sure-lok tiedown kit, titan a712S4c 0415119

<i>ITEM PART NO. DESCRIPTION</i>	<i>QTY</i>	<i>ITEM PART NO. DESCRIPTION</i>	<i>QTY</i>
1 7371215 Track, Aluminum- L W/Flange	A/R		
2 4570061 Track, Aluminum-L WO Flange	A/R		
3 7371133 End, Floor Track - Black Plastic	8		
4 3370046 Insert, Clear Seat Track x 96.0	1		
5 7371603 Sure-Lok Tiedown Kit	2		
NS 0374644 Steel, Flat 11GA 4"x 120"	A/R		
NS 0342428 Steel, Flat 16 GA x 6 x 96"	A/R		



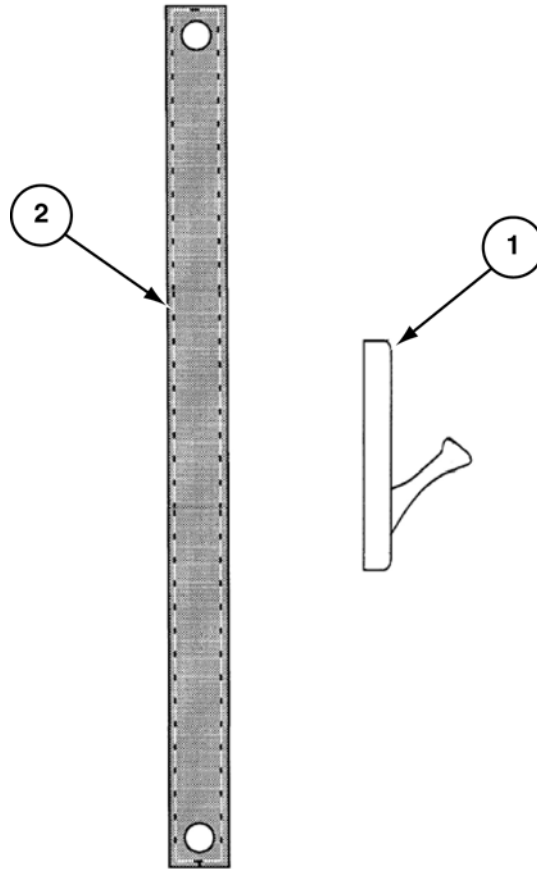
KINEDYNE TIEDOWNS FF627S-4C 0410737

<i>ITEM</i>	<i>PART NO.</i>	<i>DESCRIPTION</i>	<i>QTY</i>	<i>ITEM</i>	<i>PART NO.</i>	<i>DESCRIPTION</i>	<i>QTY</i>
1	7371604	KIT, MOUNT SERIES	1				
2	7371536	TIEDOWN, KINEDYNE FF627S-4C	1				
3	7371565	BELT, LAP INTEGRATED 96"	1				
4	7371564	BELT, SHOULDER 52" NON-RETRACTABLE	1				
5	7371133	END, FLOOR TRACK - BLACK PLASTIC	8				
6	4570061	TRACK, TIEDOWN ALUMINUM-L W/O FLANGE	1				
7	7371215	TRACK, TIEDOWN ALUMINUM-L W/FLANGE	1				
NS	3370046	INSERT, CLEAR SEAT TRACK X 96.0	1				
NS	0374644	STEEL, FLAT 11GA X 4 X 10'	1				



**16-inch quick strap
7371611**

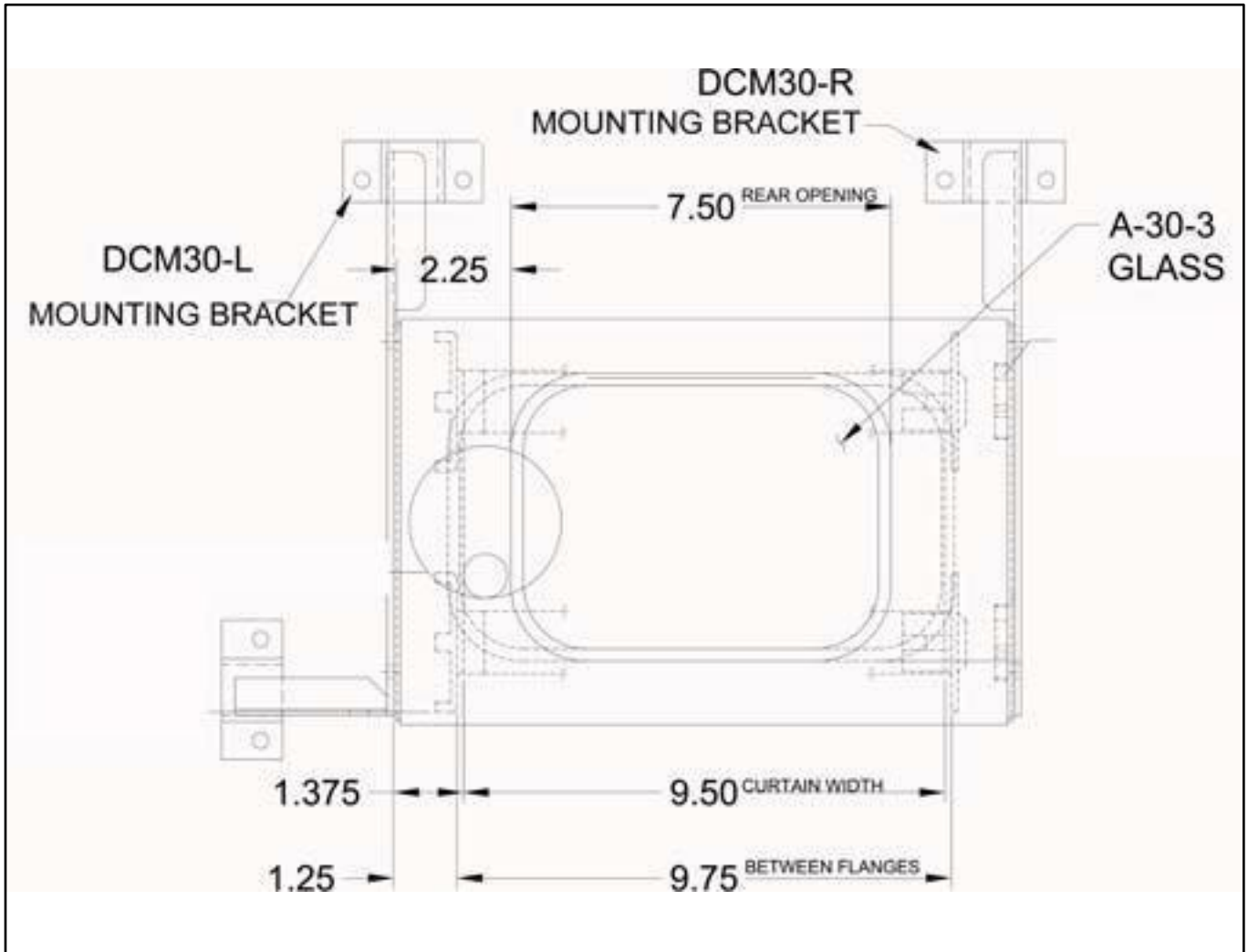
<i>ITEM PART NO. DESCRIPTION</i>	<i>QTY</i>	<i>ITEM PART NO. DESCRIPTION</i>	<i>QTY</i>
01 7371611 Strap, Quick Sure-Lok	4		



INSTALL DRIVER'S COAT HOOK

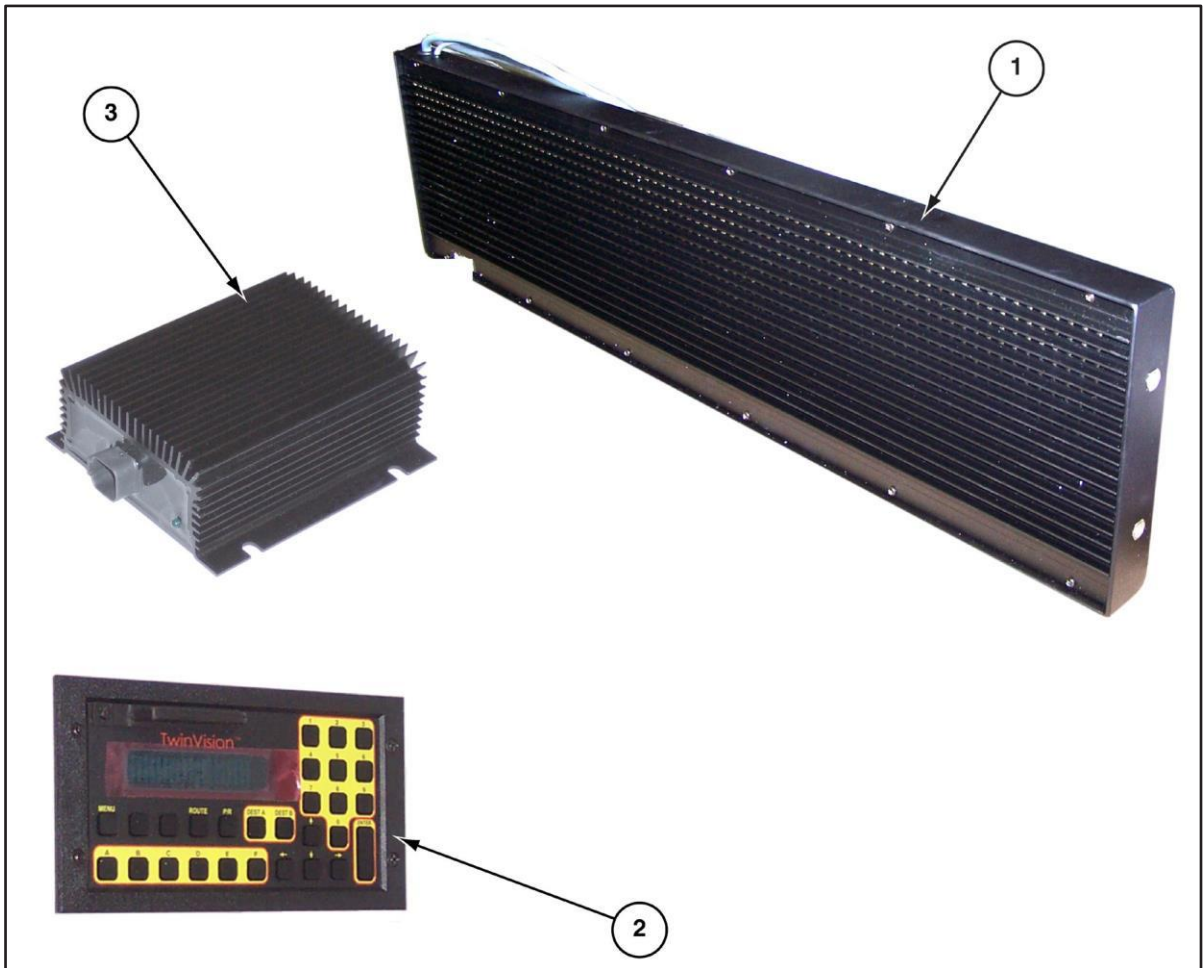
CX-000-900-3163S / CX0000083163

<i>ITEM</i>	<i>PARTNO.</i>	<i>DESCRIPTION</i>	<i>QTY</i>	<i>ITEM</i>	<i>PARTNO.</i>	<i>DESCRIPTION</i>	<i>QTY</i>
01	4941647	HOOK,GARMET	1				
02	7371086	STRAP,HCLDBACK[20"]	1				
N/S	8570714	SCREW [8x 1-1/4] PHIL SEMST2 POLAR	2				



**sign, manual rear curtain
0420110**

<i>ITEM PART NO. DESCRIPTION</i>	<i>QTY</i>	<i>ITEM PART NO. DESCRIPTION</i>	<i>QTY</i>
01 3975494 Sign, Rear Curtain Manual	1		
NS 0374644 Steel, Flat 11GA 4" x 120"	.3		



**twin vision destination sign, P-dot
0412662P**

<i>ITEM PART NO.</i>	<i>DESCRIPTION</i>	<i>QTY</i>	<i>ITEM PART NO.</i>	<i>DESCRIPTION</i>	<i>QTY</i>
1	8971031 SIGN,DESTINATION (TWIN VISION)	2			
2	8970861 CONSOLE,OCUTWIN VISION	1			
03	3973278 CONVERTER, 12V - 24A DC	1			
N/S	8970917 CARD,PCMCIA 1.0 MEG	1			
N/S	8970804 ELYSE SOFTWARE	1			
N/S	0377524 BRACKET,FRONT DESTINATION SIIGN	1			
N/S	0377895 BRACKET,SIDE DESTINATION SIGN	1			
N/S	8971008 SIGN,DEST SIGN 14X72-8MM ALL LED	1			
N/S	0413243 HARNESS,DEST SIGN TWINVISION	1			

no PiCtURe aVailaBle at tHis tiMe

destination sign single FRont - F550
Fd-000-900-0404, 0403573

<i>ITEM</i>	<i>PART NO.</i>	<i>DESCRIPTION</i>	<i>QTY</i>	<i>ITEM</i>	<i>PART NO.</i>	<i>DESCRIPTION</i>	<i>QTY</i>
1	0403573	INSTALL, LIGHTS SNGL DEST SIGN					
	3943917	Light, Without Switch	4				
	4342879	Steel, Coil .021 x 36.0 Painted	AR				
2		SIGN, DESTINATION SINGLE FRONT					
	0378204	Bracket, Dest Sign Front	2				
	5971147	Window, Destination 11 x 53.5" F-550	1				
	8971071	Tape, Butyl Coated Foam 7mm	AR				
	5370560	Door, Compartment 24 x 12 W/Frame	1				
	4540142	Angle, Aluminum 1 x 1.5 x 12'	AR				

no piCtURe aVaiLaBLe at tHiS tiMe

**destination sign - FRont/side pRep
0422700**

<i>ITEM</i>	<i>PART NO.</i>	<i>DESCRIPTION</i>	<i>QTY</i>	<i>ITEM</i>	<i>PART NO.</i>	<i>DESCRIPTION</i>	<i>QTY</i>
00	5971147	Window, Destination 11 x 53.5" F-550	1				
	5370159	Door, Square Corner (9" x 43")	1				
	3972514	Antenna, AM/FM	1				
	3974103	Antenna, Cable Extension	1				
	3974102	Antenna, Flexible Roof Mount	1				



**tv mobilite front destination sign
0420602**

<i>ITEM</i>	<i>PART NO.</i>	<i>DESCRIPTION</i>	<i>QTY</i>	<i>ITEM</i>	<i>PART NO.</i>	<i>DESCRIPTION</i>	<i>QTY</i>
1	3975191	Sign, Dest. 14 x 108 Amber Mobilite	1	NS	0379645	Plate, Backer Antenna 102" Wide	1
2	3975193	Console, OCU Mobilite 12V	1	NS	3974102	Antenna, Flexible Roof Mount	1
NS	3975636	Cable, TV Mobilite Front	1	NS	3974103	Antenna, Cable Extension	1
NS	3974660	Harness, Destination Sign Front	1				
NS	5370159	Door, Square Corner 9 x 43	1				
NS	5971147	Window, Destination (11" x 53") F-550	1				



tv mobilite front/side destination sign 0420886

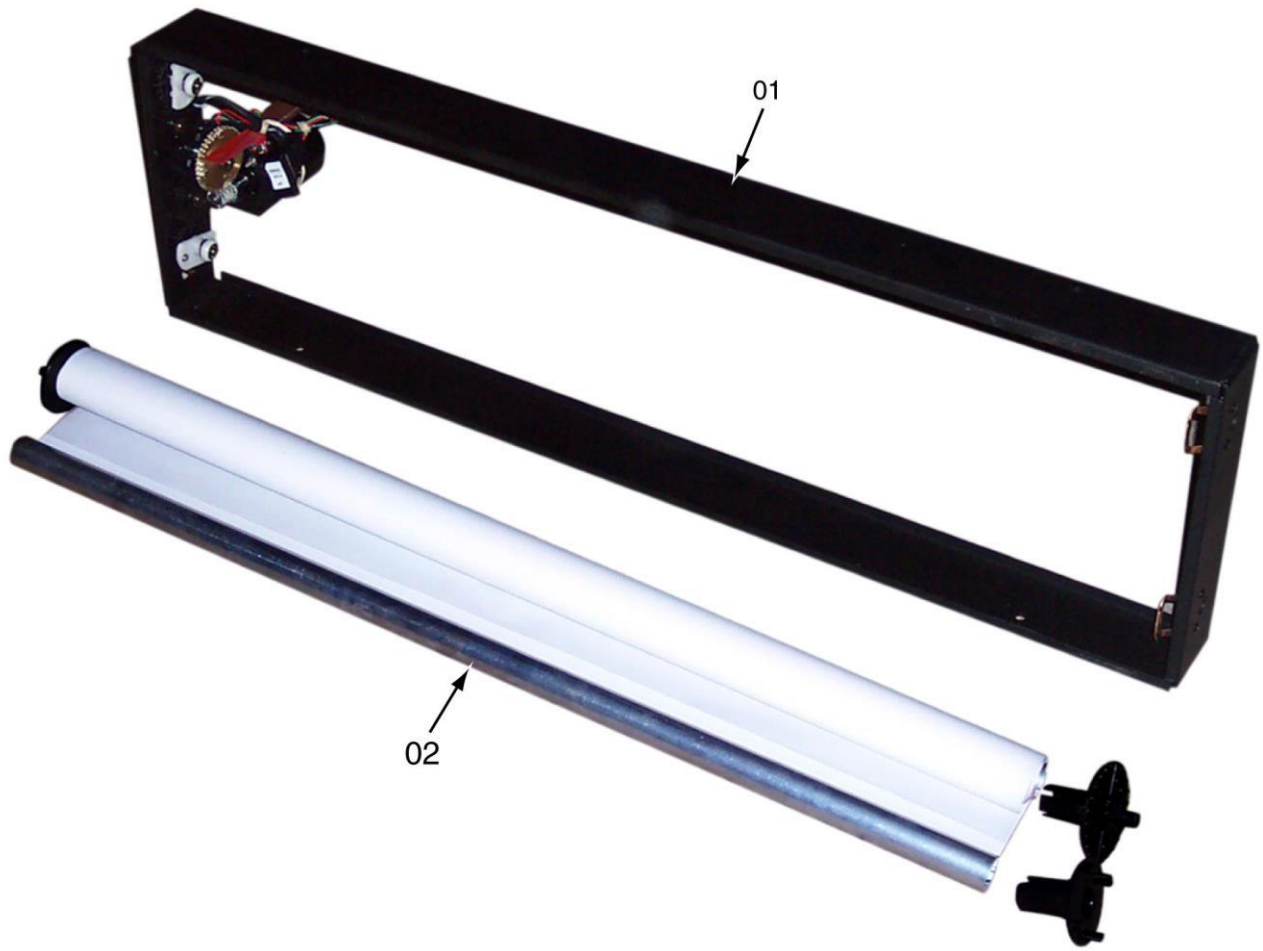
<i>ITEM PART NO. DESCRIPTION</i>	<i>QTY</i>	<i>ITEM PART NO. DESCRIPTION</i>	<i>QTY</i>
1 3975191 Sign, Dest. 14 x 108 Amber Mobilite	1		
2 3975192 Sign, Dest. 14 x 72 Amber Mobilite	1		
3 3975193 Console, OCU Mobilite 12V	1		
NS 3975495 Harness, Twin Vision Mobilite L Series	1		
NS 3975496 Cable, Twin Mobilite L-Series Bus	1		
NS 3974660 Harness, Destination Sign Front	1		
NS 5971147 Window, Destination 11" x 53½" F550	1		
NS 3974102 Antenna, Flexible Roof Mount	1		
NS 3974103 Antenna, Cable Extension	1		
NS 5370159 Door, Square Corner 9" x 43"	1		
NS 0364836 Steel, Flat 14GA/16GA x 3 x 96	AR		



HANOVER DESTINATION SIGNS FRONT/SIDE

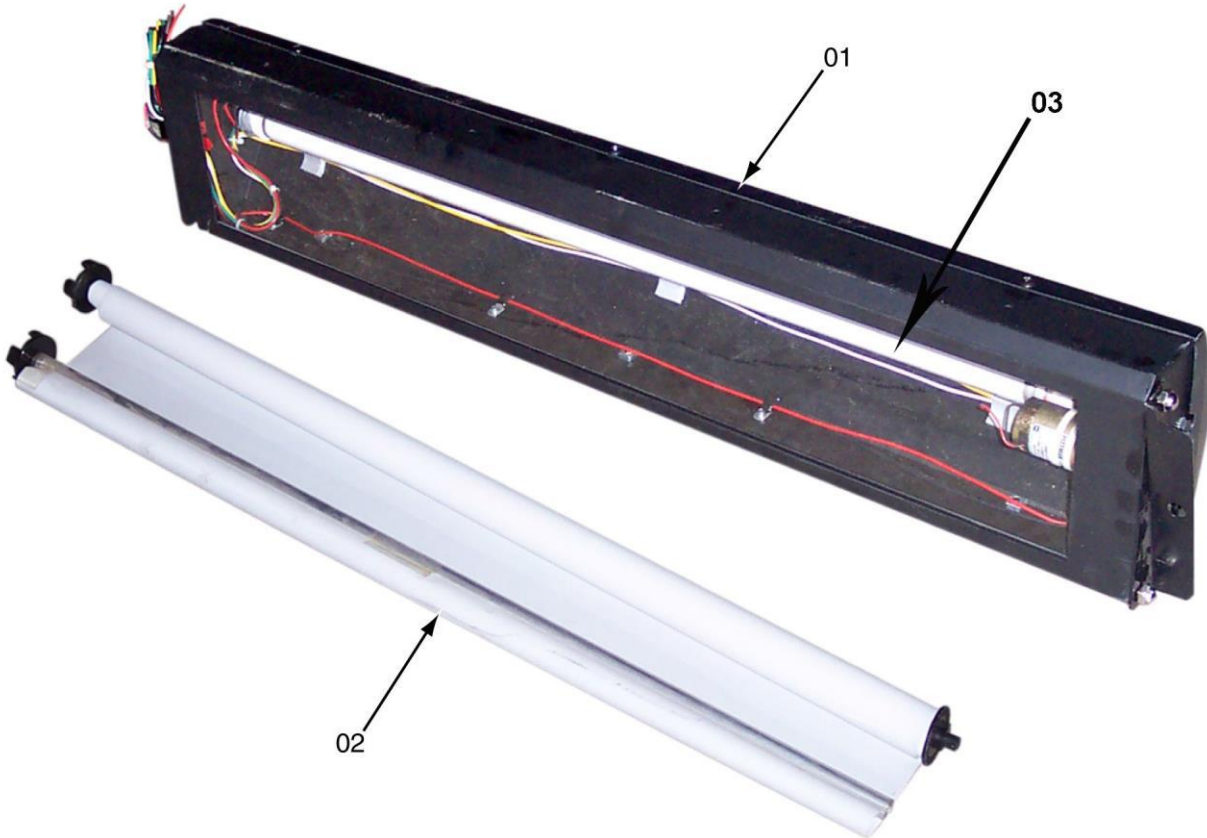
0420327 / 0421412

<i>ITEM PART NO. DESCRIPTION</i>	<i>QTY</i>	<i>ITEM PART NO. DESCRIPTION</i>	<i>QTY</i>
0420327 Install, Sign Dest Hanover Frt/Side		0421412 Install, Dest Hanover Frt/Side F550	
01 8971258 Sign, Dest Front 112 x 15 Hanover	1	01 8971258 Sign, Dest Front 112 x 15 Hanover	1
1 8971259 Sign, Dest Side 96 x 8 Hanover	1	1 8971259 Sign, Dest Side 96 x 8 Hanover	1
2 8971260 Console, OCU Deric+ Hanover D200E	1	2 8971260 Console, OCU Deric+ Hanover D200E	1
3974017 Cable, Console to Front Comms	1	3974017 Cable, Console to Front Comms	1
3974018 Cable, Front to Sign Comms	1	3974018 Cable, Front to Sign Comms	1
3974019 Cable, Front / Console Power	1	3974019 Cable, Front / Console Power	1
3974020 Cable, Front / Side Power	1	3974020 Cable, Front / Side Power	1
3974660 Harness, Destination Sign Front	1	3974660 Harness, Destination Sign Front	1
0403571 Install, Window Multiple Dest Sign	1	0379353 Bracket, Side Dest Sign	2
0379353 Bracket, Side Dest Sign	2	0378204 Bracket, Destination Sign Front	1
3975503 Converter, 12-24V Hanover Pwrconv	1	3975503 Converter, 12-24V Hanover Pwrconv	1
		5370159 Door, Square Corner (9 x 43)	1
		5971147 Window, Destination (11 x 53½) F550	1
		3974102 Antenna, Flexible Roof Mount	1
		3974103 Antenna, Cable Extension	1



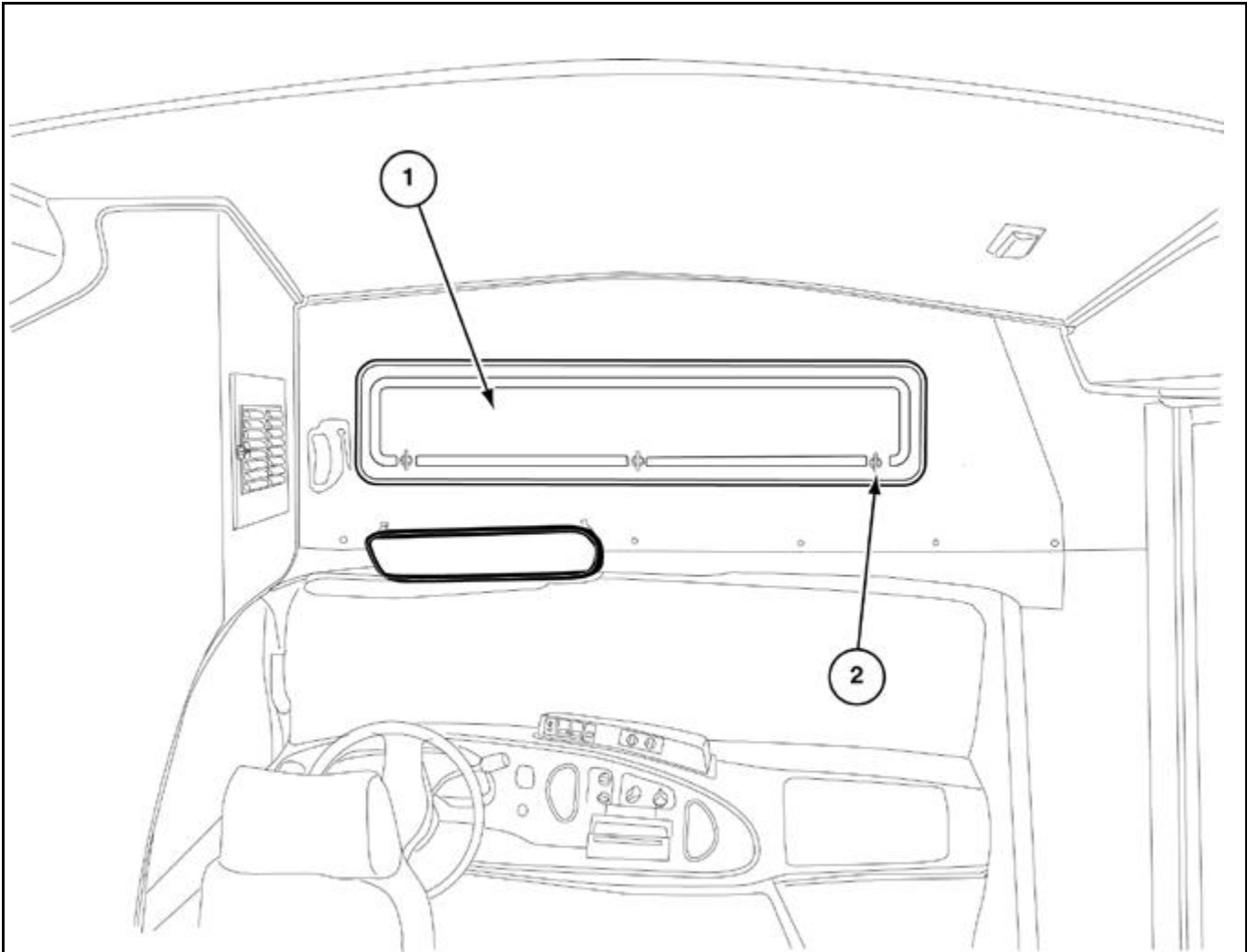
FRONT DESTINATION SIGN
FD-000-900-3175, 0408071

<i>ITEM</i>	<i>PART NO.</i>	<i>DESCRIPTION</i>	<i>QTY</i>	<i>ITEM</i>	<i>PART NO.</i>	<i>DESCRIPTION</i>	<i>QTY</i>
01	8941510	SIGN, DESTINATION (D3110)	1				
02	8940439	CURTAIN, DESTINATION (D3110 MA)	1				
N/S	0378204	BRACKET, DESTINATION SIGN FRONT	2				



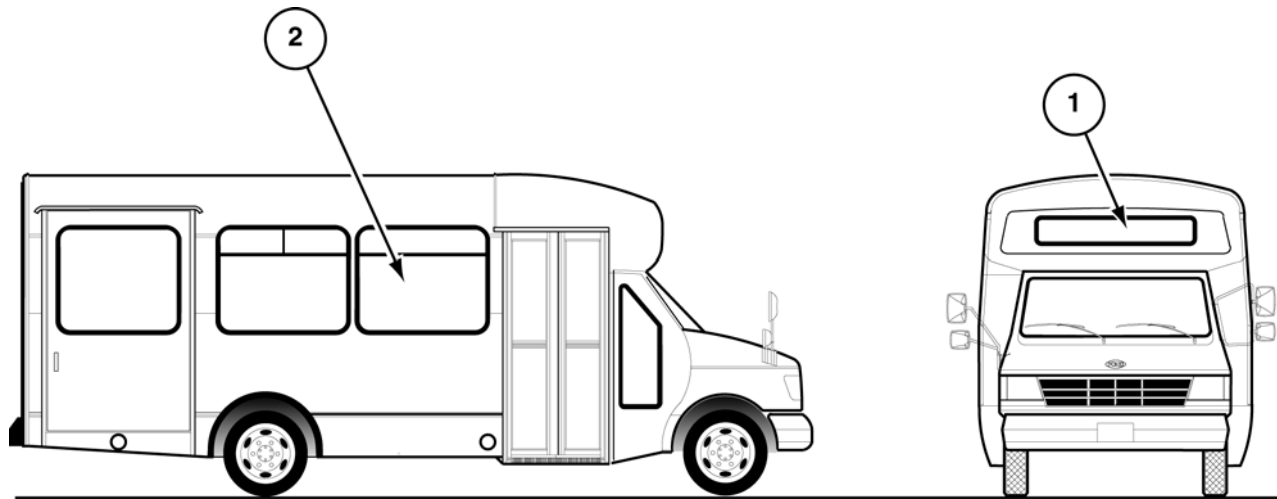
SIDE DESTINATION SIGN
FD-000-900-3175, 0403579, 0406058

<i>ITEM</i>	<i>PART NO.</i>	<i>DESCRIPTION</i>	<i>QTY</i>	<i>ITEM</i>	<i>PART NO.</i>	<i>DESCRIPTION</i>	<i>QTY</i>
01	8970139	SIGN, SIDE DESTINATION (D34510XP)	1				
02	8970147	CURTAIN, ROLLER (D34510-MA)	1				
03	3971241	LIGHT, FLUORESCENT 48" BALLAST ASSY	1				
03	3972317	BULB, FLUORESCENT 4' DOUBLE PRONG 40W	1				
NS	0372227	BRACKET, MOUNTING TRANS SIGN	2				



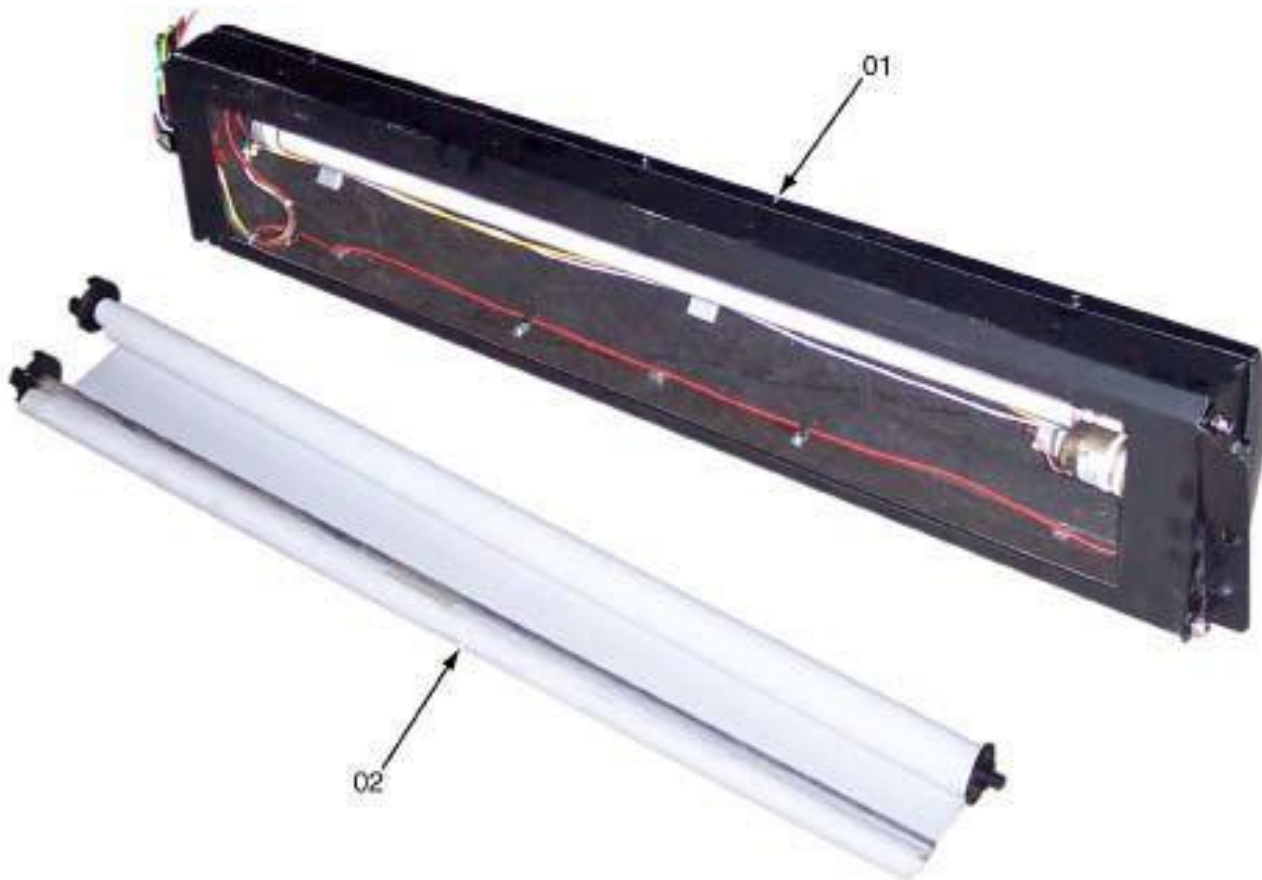
DESTINATION SIGN Access DOOR
FD-000-900-3175 / 0403572

ITEM	PART NO.	DESCRIPTION	QTY	ITEM	PART NO.	DESCRIPTION	QTY
1	3370939	DOOR, DESTINATION SIGN	1				
N/S	3370798	GUARD, DOOR EDGE	A/R				
N/S	4970476	HINGE, CONCEALED	3				
2	4941520	THUMB-LOCK, COMPLETE	3				
NS	8570668	SPUR-WASHER (1-1/8")	3				
NS	0375567	PLATE, CONCEALED HINGE BACKING	3				
NS	8570916	SCREW (6 x 3/8 PHIL OVAL TYPE AB ZINC)	6				
NS	4370078	ALUCOBOND, 3MM x 50" x 96" POLY WT	AR				
NS	3370919	SHEET, ABS .125" x 48" x 78" GRAY	AR				
NS	0364836	STEEL, FLAT 14GA/16GA x 3 x 96.0	AR				
NS	4540241	BAR, ALUMINUM .125 x .75 x 4'	AR				



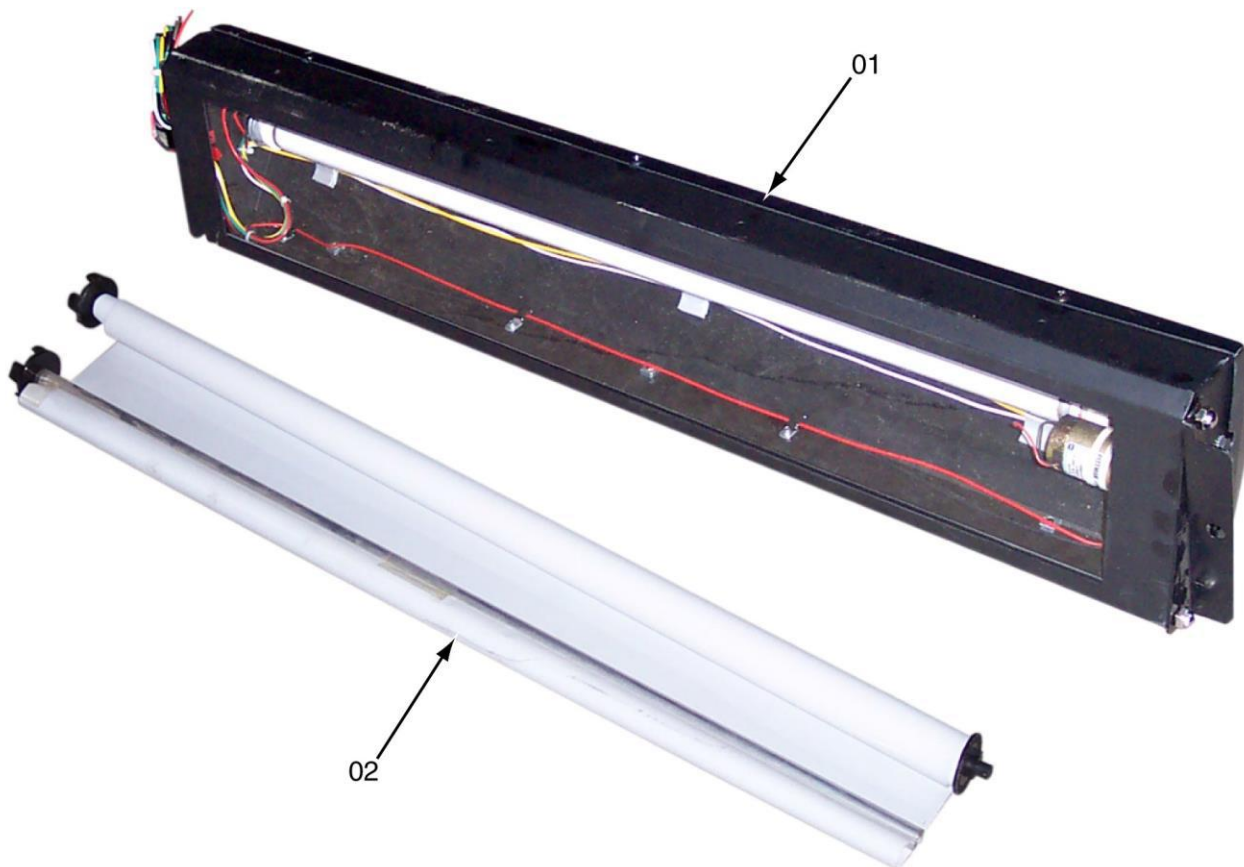
DESTINATION SIGN WINDOW
FD-000-900-3175 / 0403571 / 0407704

<i>ITEM PARTNO. DESCRIPTION</i>	<i>QTY</i>	<i>ITEM PARTNO. DESCRIPTION</i>	<i>QTY</i>
0403571 FRONT WINDOW FOR DESTINATION SIGN			
1 5970157 WINDOW, DESTINATION SIGN	1		
N/S 8570739 SCREW (8 x 3/4 PAN QUAD BLACK EMPIGUARD)	24		
0407704 SIDE WINDOW W/ CLEAR TOP-DESTINATION SIGN			
2 5970733 WINDOW, CLEAR TOP DESTINATION (36.38 x 46.5)	1		
N/S 8570739 SCREW (8 x 3/4 PAN QUAD BLACK EMPIGUARD)	30		



destination sign single w/ fousescent light
ct0000050407, 0408315

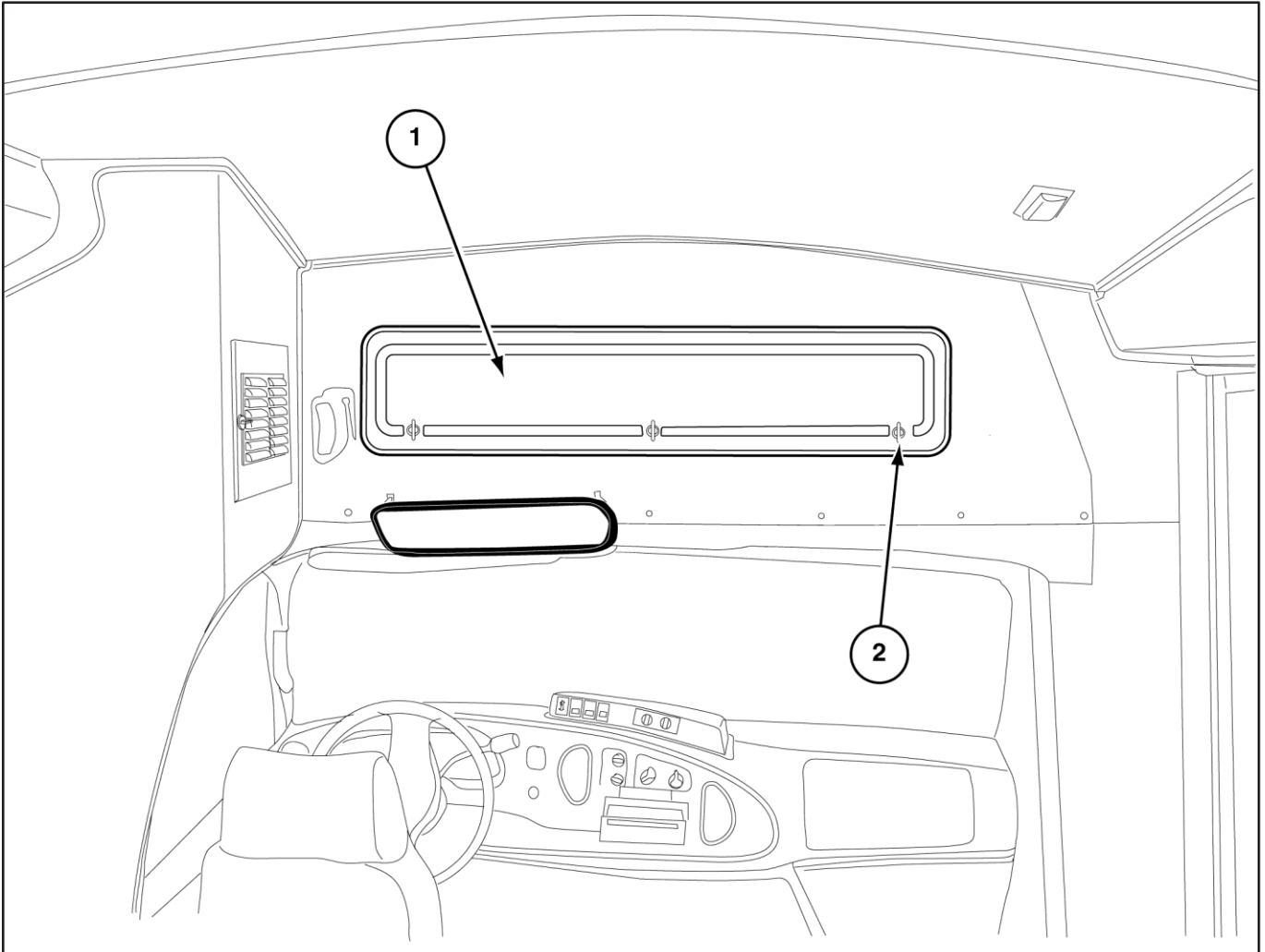
<i>ITEM PART NO. DESCRIPTION</i>	<i>QTY</i>	<i>ITEM PART NO. DESCRIPTION</i>	<i>QTY</i>
01 0408315 LIGHT, DESTINATION 48" SINGLE			
3971241 LIGHT, FLOURESCENT 48" BALLAST ASSY	1		
3972317 BULB, FLOURESCENT 4' DBLE PRONG 40W	1		
3971278 COVER, LIGHT FLUORESCENT			
1			
3974526 HARNESS, CENTER LIGHTS	1		
0378204 BRACKET, DEST SIGN FRONT	2		



destination sign single

dF-000-900-0404, 0406058, 0407135

<i>ITEM PART NO. DESCRIPTION</i>	<i>QTY</i>	<i>ITEM PART NO. DESCRIPTION</i>	<i>QTY</i>
1 0406058 LIGHT, DESTINATION 48" SINGLE			
3971241 Light, FLuorescent 48" Ballast ASSY	1		
3972317 Bulb, FLuorescent 4' DBL Prong 40W	1		
3970472 Breaker, 15AMP (Silver)			
1			
2 0407135 SIGN, DESTINAION SINGLE FRONT			
0378204 Bracket, Dest Sign Front	2		



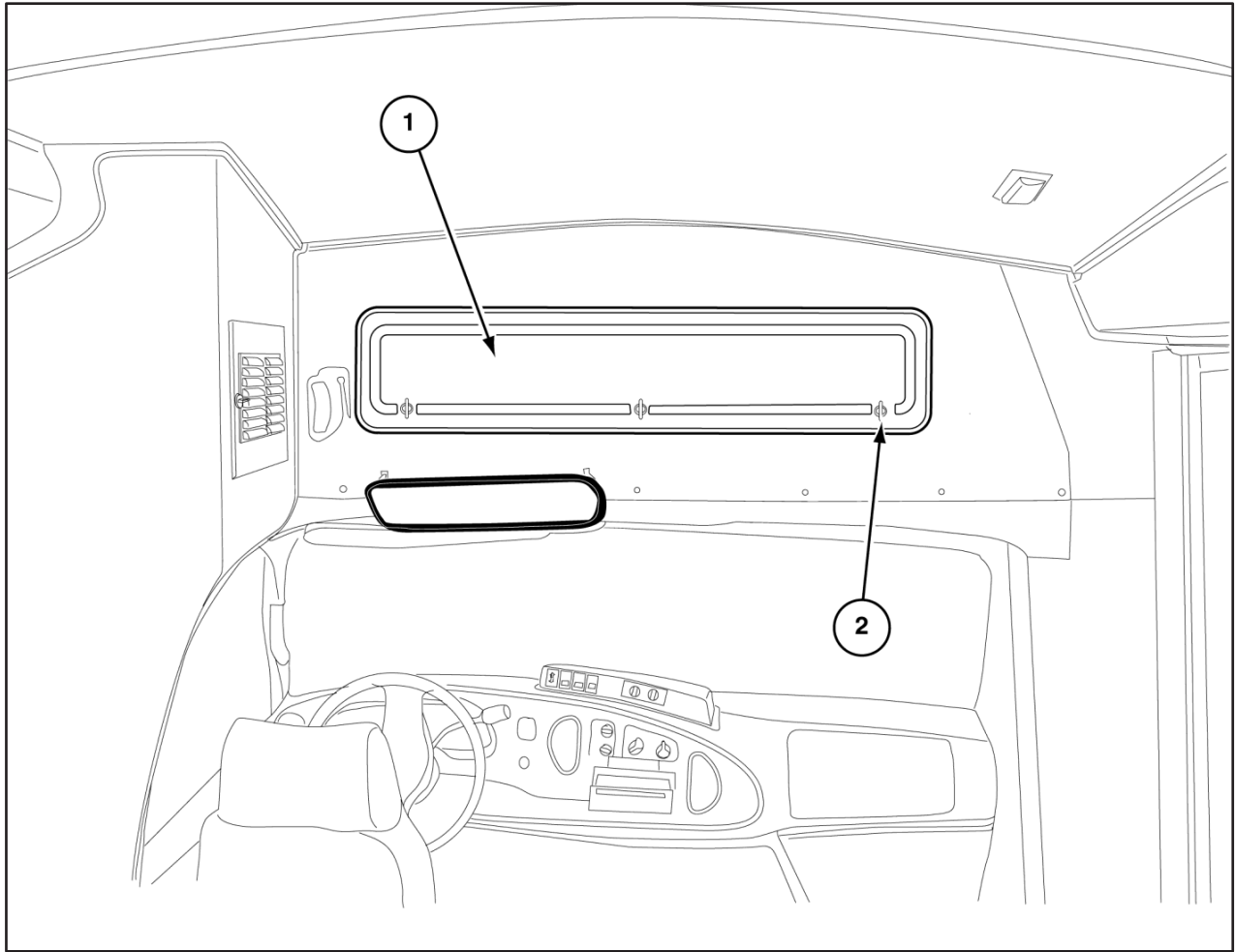
destination sign - access door
ct0000050407, 0404038

<i>ITEM PART NO.</i>	<i>DESCRIPTION</i>	<i>QTY</i>	<i>ITEM PART NO.</i>	<i>DESCRIPTION</i>	<i>QTY</i>
1	5370169 DOOR, SQUARE CORNER 5½ x 45	1			
2	8570718 SCREW, 8 x 1 PAN QUAD ZINC	24			



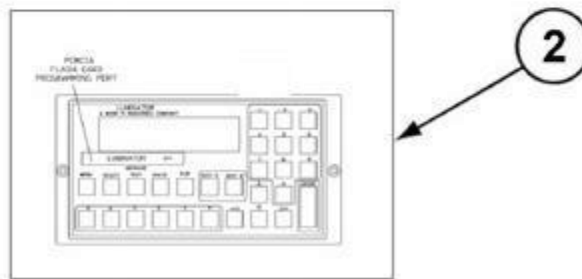
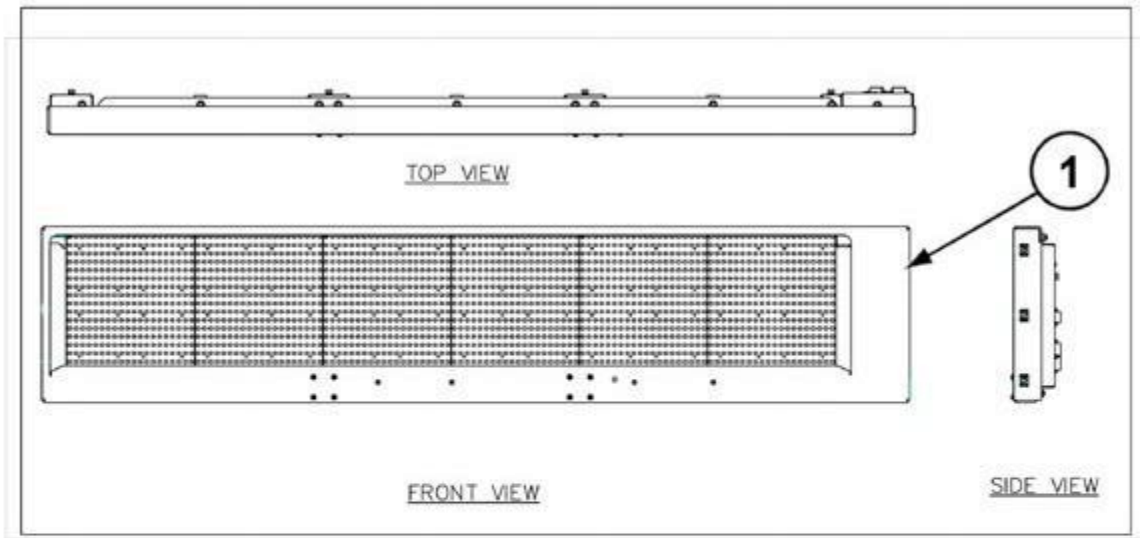
front destination sign - vista 0418455

ITEM PART NO.	DESCRIPTION	QTY	ITEM PART NO.	DESCRIPTION	QTY	
01	0403571	INSTALL WINDOW MULTIPLE DEST SIGN	NS	0378204	BRACKET,DESTINATIONSIGNFRONT	2
	5970157	WINDOW, DESTINATION CH-CR	NS	3974660	HARNESS,DESTINATIONSIGNFRONT	1
	8971071	TAPE, BUTYL COATED FOAM 7MM DTAx48	NS	3972514	ANTENNA,AM/FM	1
			NS	3974103	ANTENNA,CABLEEXTENSION	2
02	8971032	SIGN,DESTINATIONFRONTVISTA	NS	3971367	ANTENNA,PILLARMOUNT	1
			NS	4540142	ANGLE,ALUMINUM1x1.5x12'	0.5



Door, Destination sign non-lock 0418455, 0403572

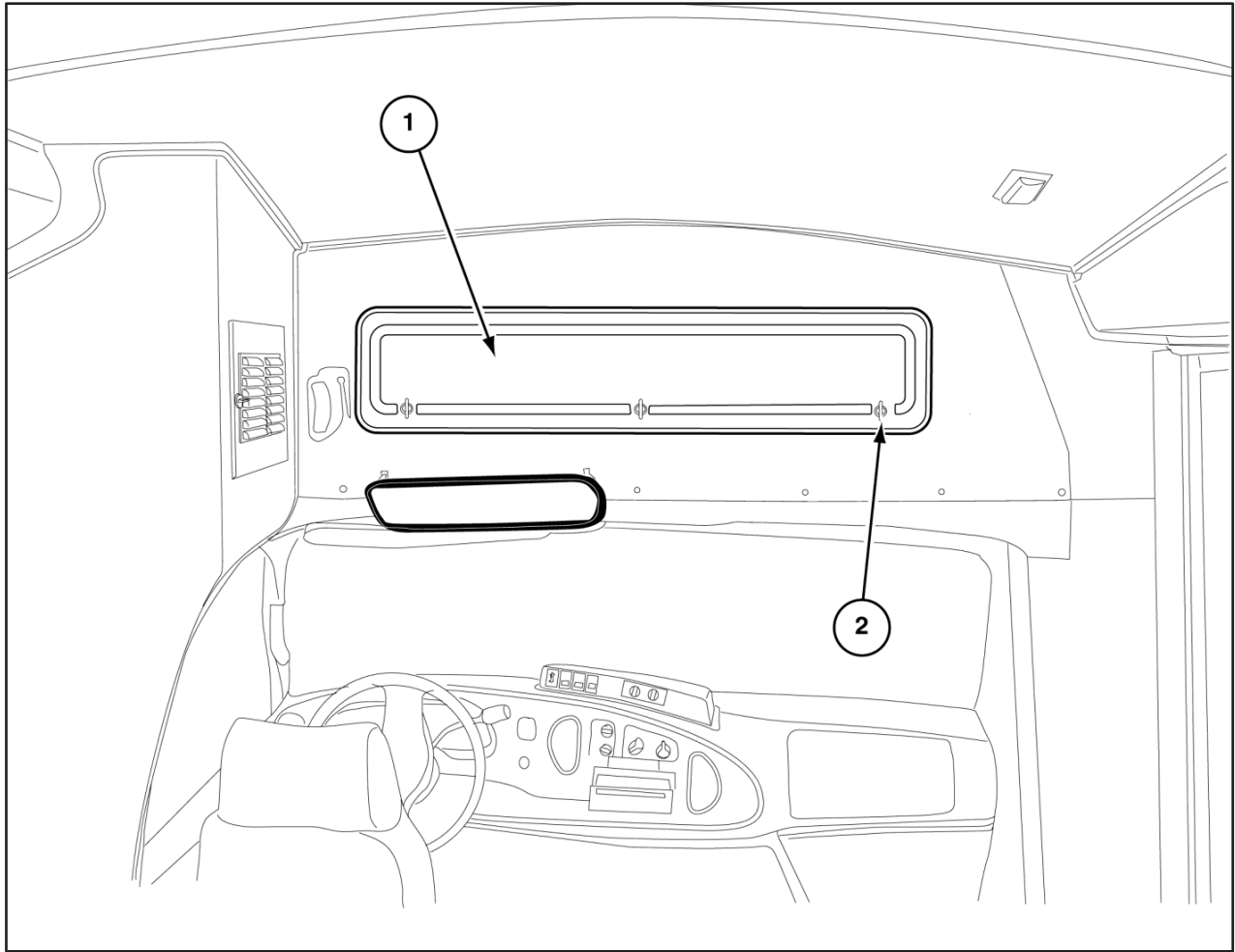
<i>ITEM PART NO. DESCRIPTION</i>	<i>QTY</i>	<i>ITEM PART NO. DESCRIPTION</i>	<i>QTY</i>
1 3370939 Door, Destination Challenger	1		
2 4941520 Lock, Thumb Complete	3		
NS 3370798 Guard, Door Edge	AR		
NS 4970476 Hinge, Concealed	3		
NS 0375567 Plate, 16GA 2 x 3 Dest Hinge Back	3		
NS 8570916 Screw, 6 x 3/8 Phil Oval Type AB	6		



horizon destination sign - front

0419134 / 0403571

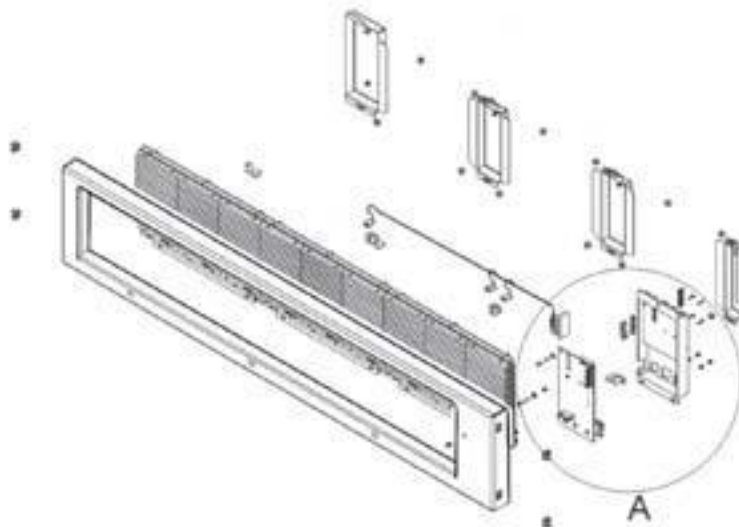
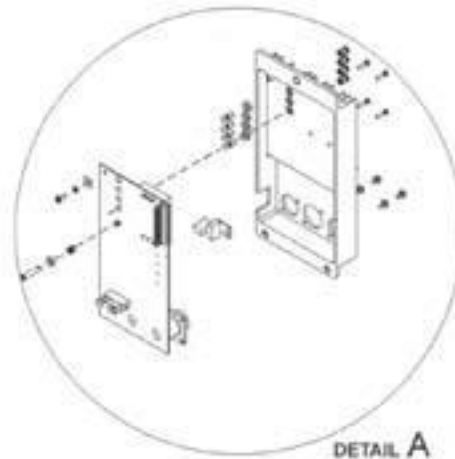
ITEM	PART NO.	DESCRIPTION	QTY	ITEM	PART NO.	DESCRIPTION	QTY
1	8971253	Sign, Front Lum Horizon 16 x 120 x 8	1	0403571 Install, Window Multiple Dest Sign			
2	8970900	ODK, Operator Display Keyboard Max 3	1	NS	5970157	Window, Destination CH-CR	1
NS	0378204	Bracket, Destination Sign Front	2	NS	8971071	Tape, Butyl Coated Foam 7mm DTA x 48	.5
NS	3973278	Converter, 12V to 24V	1				
NS	3973303	Card, Flash Luminator	1				
NS	8971285	Flash, L - Luminator	1				
NS	3973304	Software, IPS Luminator	1				



DOOR, DESTINATION SIGN NON-LOCK 0419134 / 0403572

<i>ITEM PART NO. DESCRIPTION</i>	<i>QTY</i>	<i>ITEM PART NO. DESCRIPTION</i>	<i>QTY</i>
1 3370939 Door, Destination Challenger	1		
2 4941520 Lock, Thumb Complete	3		
NS 3370798 Guard, Door Edge	AR		
NS 4970476 Hinge, Concealed	3		
NS 0375567 Plate, 16GA 2 x 3 Dest Hinge Back	3		
NS 8570916 Screw, 6 x 3/8 Phil Oval Type AB	6		

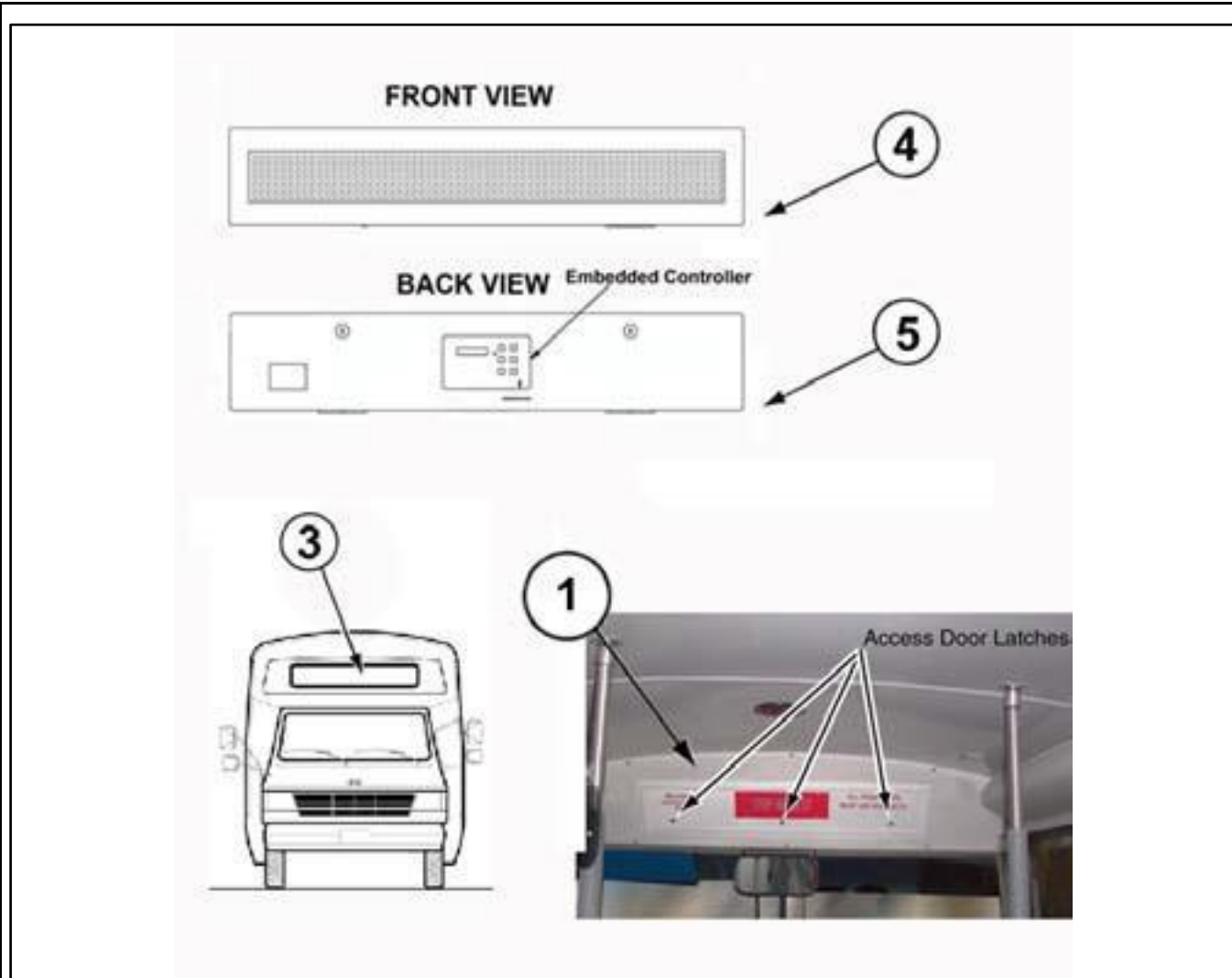
REFER TO YOUR
LUMINATOR SERVICE CENTER
FOR PARTS AND SERVICE.
Go to www.luminatorusa.com
for the nearest location to you.



luminator front & Side deStination Signs

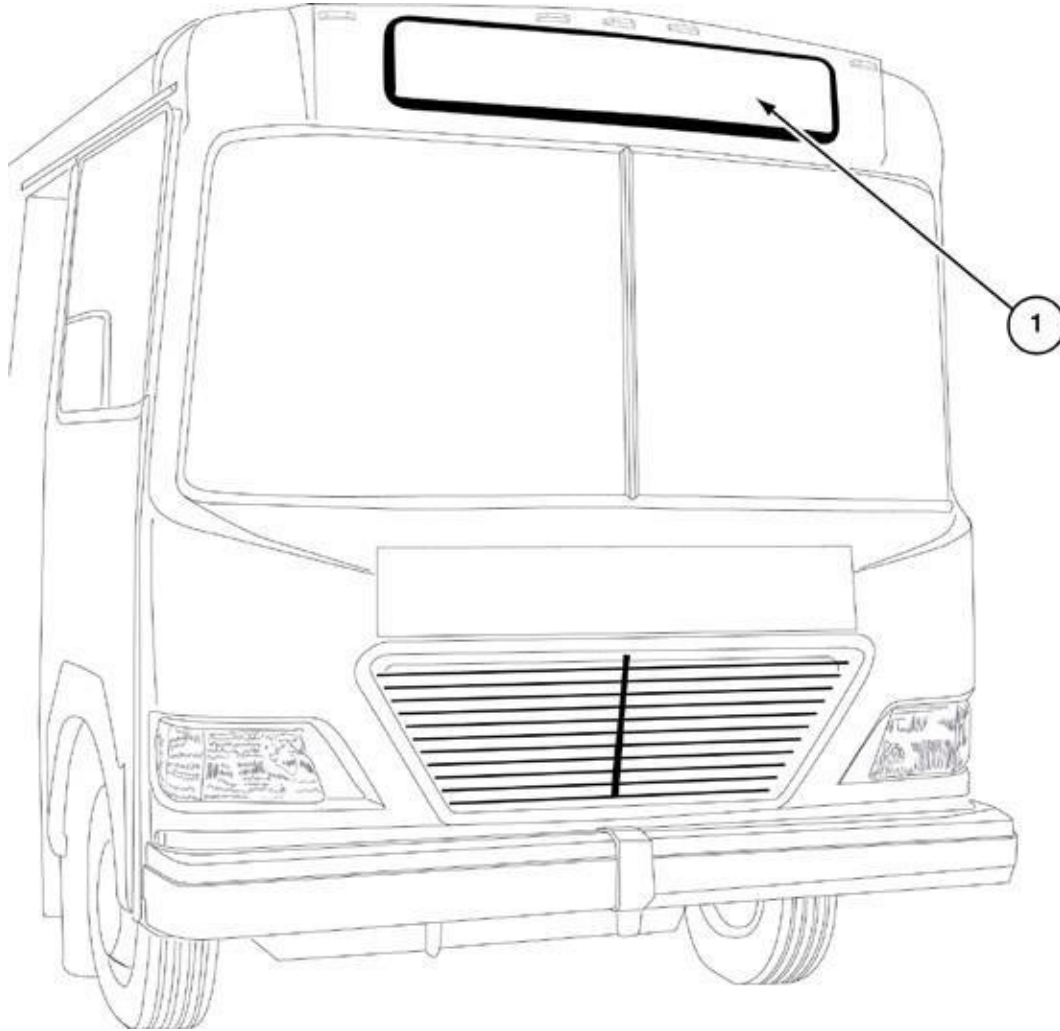
0420960 / 8970999

<i>ITEM PART NO. DESCRIPTION</i>	<i>QTY</i>	<i>ITEM PART NO. DESCRIPTION</i>	<i>QTY</i>
01 8970999 Sign, Front Destination LED (16 x 108)	1	NS 3974660 Harness, Destination Sign Front	1
0378204 Bracket, Destination Sign Front	2	NS 3972514 Antenna, AM/FM	1
NS 8971000 Sign, Side Horizon (8 x 96 x 2.8")	1	NS 3974103 Antenna, Cable Extension	1
0377655 Bracket, Destination Sign Side	2	NS 3974102 Antenna, Flexible Roof Mount	1
NS 3973278 Converter, 12V to 24V	1	NS 0364386 Steel, Flat 16GA x 3" x 96"	.1
NS 8970900 ODK, Operator Display Keyboard Max3	1	NS 5370159 Door, Square Corner (9 x 43)	1
NS 8971285 Flash, L - Luminator	1	NS 5971147 Window, Dest. (11" x 53½") F550	1
NS 3973304 Software, IPS Luminator	1		
NS 8971296 Cable, Sign Front to Side Luminator	1		



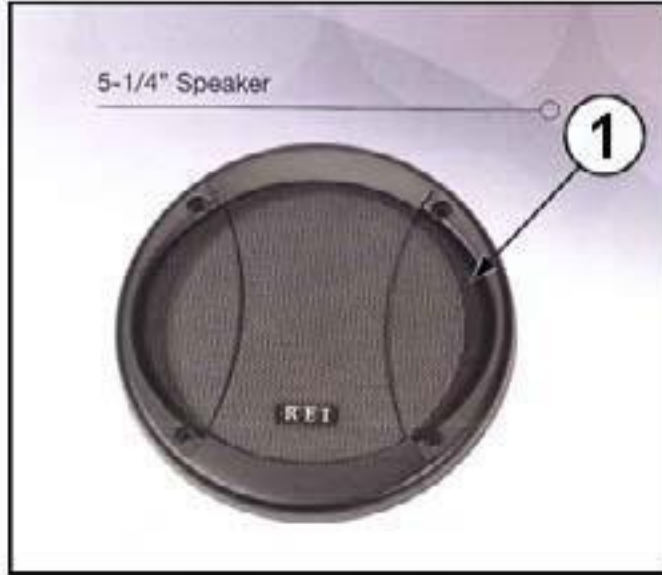
**front/side destination sign - vista
0421551 (f550)**

ITEM	PART NO.	DESCRIPTION	QTY	ITEM	PART NO.	DESCRIPTION	QTY
		0421551 INSTALL, DEST LUMIN VISTA FRT/SIDE		03	5971147	WINDOW, DESTINATION 11 x 53½ F550	1
4	8971032	SIGN, DESTINATION FRONT VISTA	1	01	5370159	DOOR, SQUARE CORNER (9" X 43)	1
5		EMBEDDED CONTROLLER, FRONT DEST SIGN					
NS	0379113	BRACKET, SIDE MOUNT DEST VISTA LEFT	1				
NS	0379114	BRACKET, SIDE MOUNT DEST VISTA RT	1				
NS	0378204	BRACKET, DESTINATION SIGN FRONT RT	1				
NS	0379793	BRACKET, DESTINATION SIGN FRONT Left	1				
NS	8971035	CARD, WRITER VISTA FLASH	1				
NS	8971034	SOFTWARE, VISTA DESTINATION SIGNS	1				
NS	3975440	CABLE, 25' BELKIN CAT	1				
NS	3972514	ANTENNA, AM/FM	1				
NS	3974103	ANTENNA, CABLE EXTENSION	1				
NS	3974102	ANTENNA, FLEXIBLE ROOF MOUNT	1				



destination sign front window
CT0000050407 / 0404396

<i>ITEM PART NO. DESCRIPTION</i>	<i>QTY</i>	<i>ITEM PART NO. DESCRIPTION</i>	<i>QTY</i>
01 5970952 Window, Destination 7 x 35.12"	1		
N/S 8971071 Tape, Butyl Coated Foam	A/R		



5¹/₄ dual cone speakers
0420518

<i>ITEM PART NO. DESCRIPTION</i>	<i>QTY</i>	<i>ITEM PART NO. DESCRIPTION</i>	<i>QTY</i>
01 3975600 Speaker, 5 ¹ / ₄ " 2-Cone With Grille	8		
NS 3971343 Wire, Speaker Black/Red 20-2	96		
NS 3971341 Wire, Speaker Blue/White	144		



SpeakerS, 6" w/grill
3975500

<i>ITEM PART NO. DESCRIPTION</i>	<i>QTY</i>	<i>ITEM PART NO. DESCRIPTION</i>	<i>QTY</i>
01 3975500 Speaker, 6" Cone W/Black Grille	AR		
NS 3971343 Wire, Speaker Black/Red 20-2	AR	ALSO INCLUDES THE FOLLOWING ASSEMBLIES:	
NS 3971341 Wire, Speaker Blue/White	AR	0420515	
		0420517	
		0420519	
		0420539	

5-1/4" Speaker



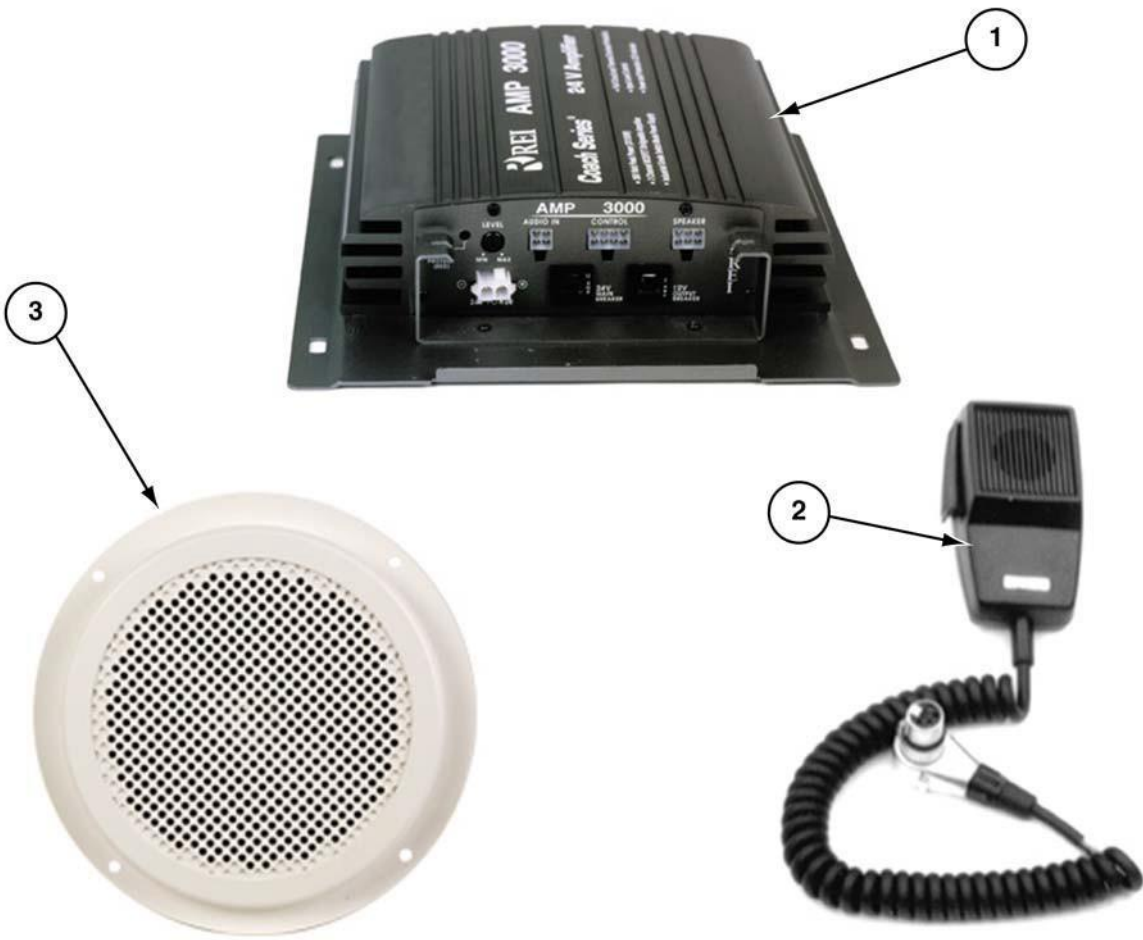
5 1/4" speaker w/grill - 2 cone
0420517 / 3975600

<i>ITEM PART NO. DESCRIPTION</i>	<i>QTY</i>	<i>ITEM PART NO. DESCRIPTION</i>	<i>QTY</i>
01 3975600 Speaker, 5 1/4" W/Grill 2 Cone	4		
NS 3971341 Wire, Speaker Black/Red 20-2	45		
NS 3971341 Wire, Speaker, Blue/White	72		



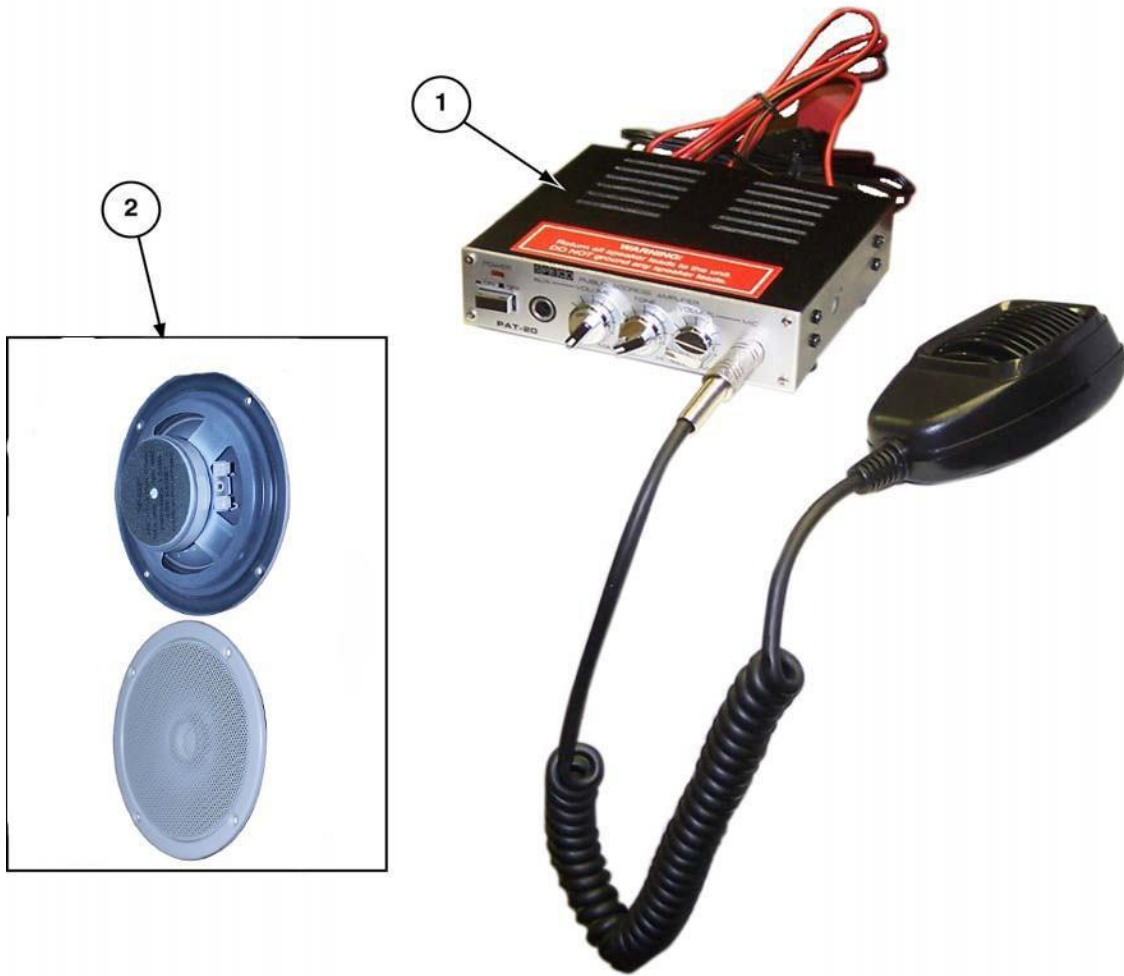
2-Way Shallow Mount SpeakerS
CX0000023280

<i>ITEM PART NO. DESCRIPTION</i>	<i>QTY</i>	<i>ITEM PART NO. DESCRIPTION</i>	<i>QTY</i>
01 3973839 Speaker, 5" 2-Way w Grill Shallow	1		



PAGE SYSTEM W/2 SPEAKERS
0414526

<i>ITEM PART NO.</i>	<i>DESCRIPTION</i>	<i>QTY</i>	<i>ITEM PART NO.</i>	<i>DESCRIPTION</i>	<i>QTY</i>
1	3973706 AMPLIFIER, TRANSIT STANDARD	1			
2	3973705 MICROPHONE, PUSH-TO-TALK	1			
3	3973502 SPEAKER, TRANSIT STANDARD	2			
N/S	3973707 CLIP, MICROPHONE	1			



Page SySystem With 2 SPeakers

cx0000021602

ITEM PART NO.	DESCRIPTION	QTY	ITEM PART NO.	DESCRIPTION	QTY
01	3971805 Page, Mile Custom Radio	1			
02	3972268 Speakers, (5½")	2			

1



2



3



hand-held microphone in-dash 0420536

ITEM	PART NO.	DESCRIPTION	QTY	ITEM	PART NO.	DESCRIPTION	QTY
01	3972651	Mic, Hand Held Dynamic	1				
02	3975399	Cable, 3' Mimifit-PNL MNT XLR	1				
03	3973707	Microphone, Clip	1				



**gooseneck microphone w/foot switch
0420508**

<i>ITEM</i>	<i>PART NO.</i>	<i>DESCRIPTION</i>	<i>QTY</i>	<i>ITEM</i>	<i>PART NO.</i>	<i>DESCRIPTION</i>	<i>QTY</i>
01	3975473	Kit, Gooseneck W/Foot Switch	1				

1



2



3



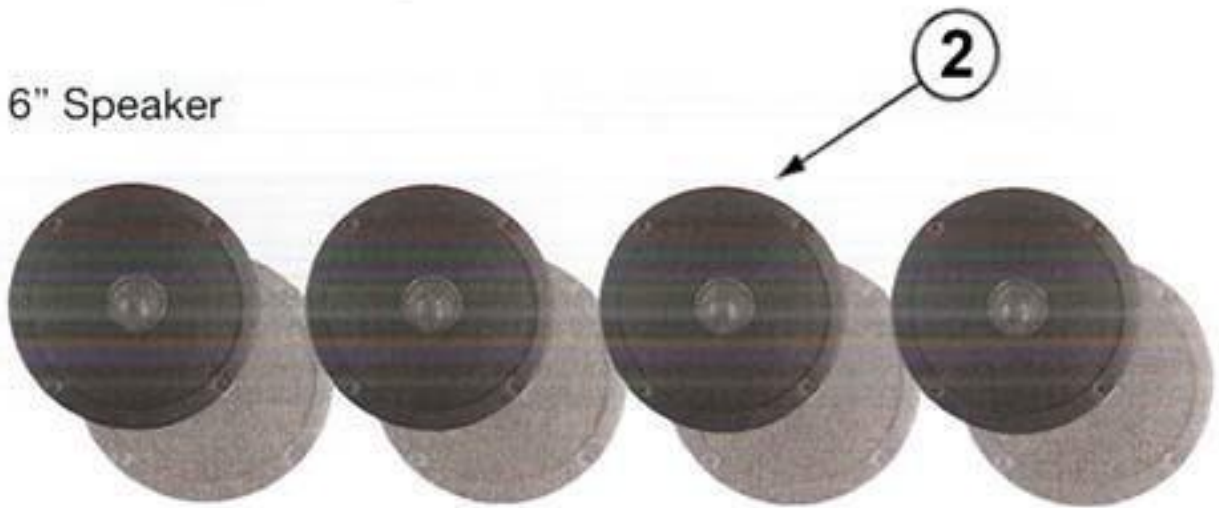
hand-held microphone in-dash 0420513

ITEM	PART NO.	DESCRIPTION	QTY	ITEM	PART NO.	DESCRIPTION	QTY
01	3972651	Mic, Hand Held Dynamic	1				
02	3975399	Cable, 3' Minifit-PNL MNT XLR	1				
	3975599	Cable, 17' Microphone Jack & Harness	1				
03	3973707	Microphone, Clip	1				

Stand Alone PA



6" Speaker



stand alone page system w/speakers
0420524 / 0420519

ITEM	PART NO.	DESCRIPTION	QTY	ITEM	PART NO.	DESCRIPTION	QTY
01	3975584	PA, Stand Alone 2-Channel	1				
02	0420519	Install, Speakers Interior (Set of 4)					
	3975500	Speaker, 6" Cone W/Black Grille	4				
	3971343	Wire, Speaker, Black/Red 20-2	AR				
	3971341	Wire, Speaker, Blue/White	AR				



Page Controller PADIN 3 Cx000021344

<i>ITEM PART NO. DESCRIPTION</i>	<i>QTY</i>	<i>ITEM PART NO. DESCRIPTION</i>	<i>QTY</i>
01 3973977 Controller, Padin-3	1		
NS 3973516 Filter, Power 25 AMP For Video/Radio	1		
NS 3973037 Externsion, Microphone 20'	1		
NS 3973039 Microphone, Hand Held BVMH01	1		

1

CD-2000 AM/FM/CD Stereo Radio w/PA



**radio/am/fm/Cd Player
21830 (All Ford)**

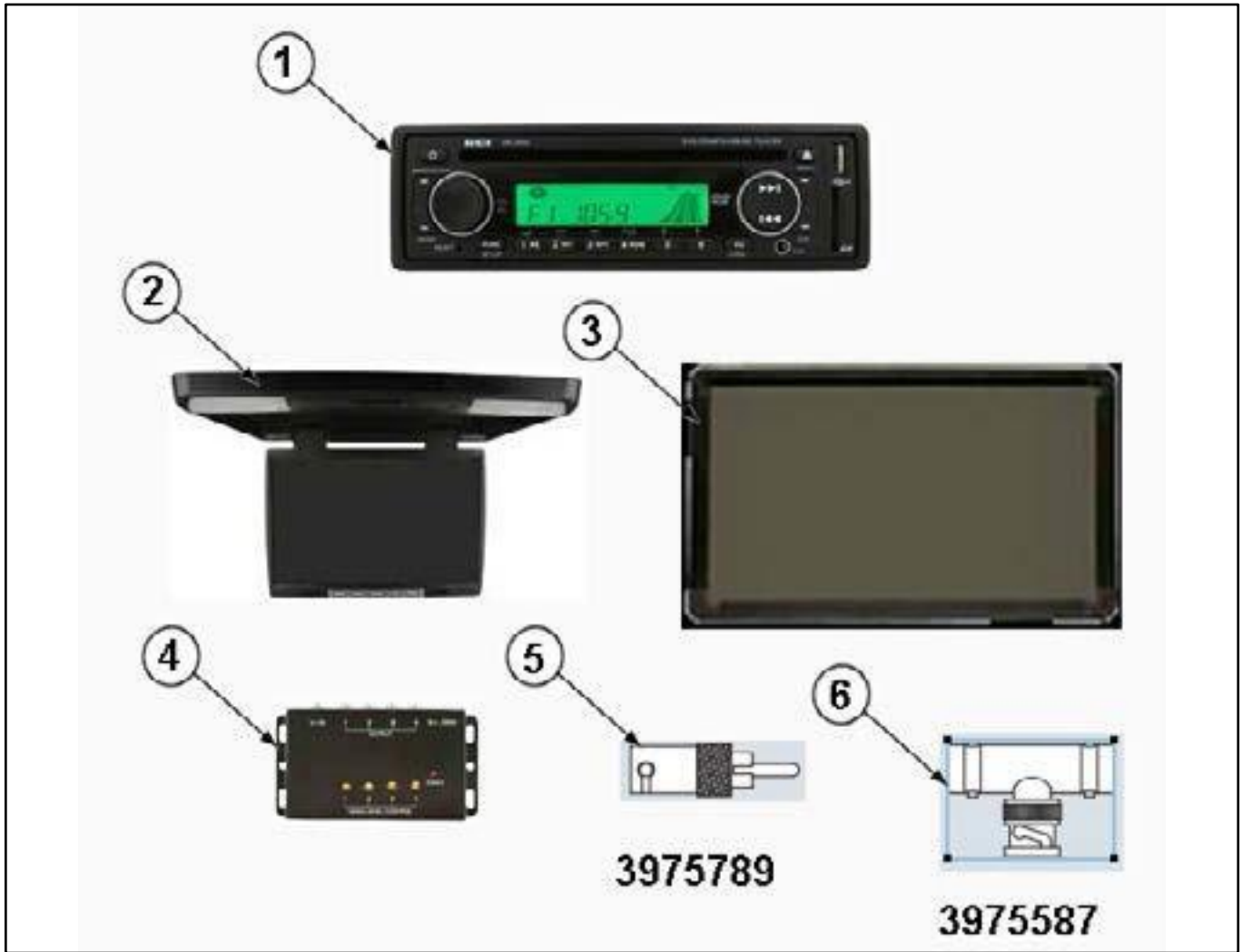
ITEM	PART NO.	DESCRIPTION	QTY	ITEM	PART NO.	DESCRIPTION	QTY
01	3975472	Radio,	1				
NS	3971341	Wire, Speaker Blue/White	A/R				
NS	3974698	Adapter, Antenna	1				
NS	3974906	Mount, Dash Ford 09 Radio	1				

1



RADIO, AM/FM/CD/DVD 0420522

<i>ITEM PART NO. DESCRIPTION</i>	<i>QTY</i>	<i>ITEM PART NO. DESCRIPTION</i>	<i>QTY</i>
01 3975398 Radio, AM/FM/CD/DVD	1		
NS 3974698 Radio Adapter, Antenna FM130 Ford	1		
NS 3974906 Radio Mount, Dash Ford	1		



**rei radio pkg w/15.4" flip, 20" wall monitors
0421719**

ITEM	PART NO.	DESCRIPTION	QTY	ITEM	PART NO.	DESCRIPTION	QTY
1	3975398	Radio, VR3000 AM/FM/CD/DVD/PA	1	06	3975587	Connector, BNC "T" Dbl Female to RCA Male	1
	3974698	Radio Adapter, Antenna FM130 Ford	1	NS	3975521	Cable, Monitor Power 30'	2
	3974906	Mount, Radio Dash Ford	1	NS	3975452	Cable, Coax 27' RG-6	1
2	3975592	Monitor, 15.4" Flip Down Lcd	1	NS	3975589	Cable, Coax 18'	1
3	3975585	Monitor, 20" LCD Slim Line	1	NS	3975590	Cable, Coax 33'	1
	3975586	Mount, Wall 20" LCD Monitor Kit	1	NS	3975399	Cable, 3' Minifit-PNL MNT XLR	1
04	3975788	Amplifier, 4-Channel	1				
05	3975789	Adapter, BNC Female to RCA Male	2				

VR-3000 AV Stereo with AM/FM/CD/DVD/SD/USB/MP3/PA System and Sirius/XM Satellite Compatible



20" LCD Monitor - Slim Line



rei radio w/20" slimline monitor 0420525

<i>ITEM</i>	<i>PART NO.</i>	<i>DESCRIPTION</i>	<i>QTY</i>	<i>ITEM</i>	<i>PART NO.</i>	<i>DESCRIPTION</i>	<i>QTY</i>
01	3975398	Radio, VR3000 AM/FM/CD/DVD/PA	1	02	3975582	Monitor, 20" LCD Slimline	1
	3974698	Radio Adapter, Antenna FM130			3975586	Mount, Wall 20" LCD Monitor	1
	1				3975521	Cable, Monitor Power 30'	1
	3974906	Radio Mount, Dash	1		3975452	Cable, Coax 27' RG-6	1



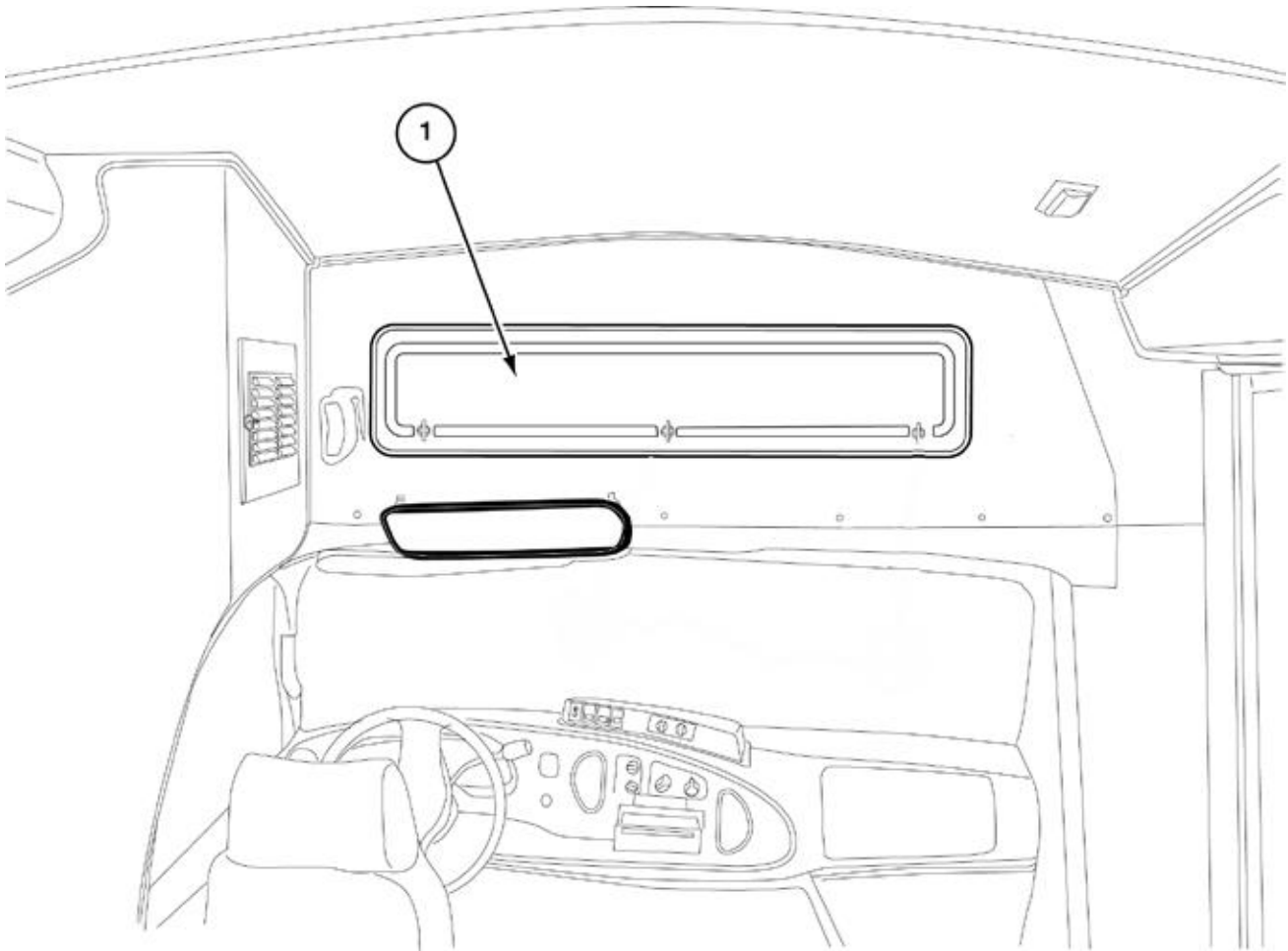
**rei radio w/20" lcd & 15.4" wedge monitors
0420526**

<i>ITEM PART NO. DESCRIPTION</i>	<i>QTY</i>	<i>ITEM PART NO. DESCRIPTION</i>	<i>QTY</i>
1 3975398 Radio, VR3000 AM/FM/CD/DVD/PA	1	03 3975588 Montior, 15.4" Wedge LCD	2
3974698 Radio Adapter, Antenna FM130	1	3975589 Cable, 18' Coax	1
3974906 Radio Mount, Dash	1	3975590 Cable, 33' Coax	1
		3975451 Cable, 4-Pin Power Adaptor 6'	1
2 3975582 Monitor, 20" LCD Slimline	1	NS 3975450 Amplifier, Video Dist. Low Profile	1
3975586 Mount, Wall 20" LCD Monitor	1		
3975521 Cable, Monitor Power 30'	1		
3975452 Cable, Coax 27' RG-6	1		



Page Controller - Padin 4 Cx000021344

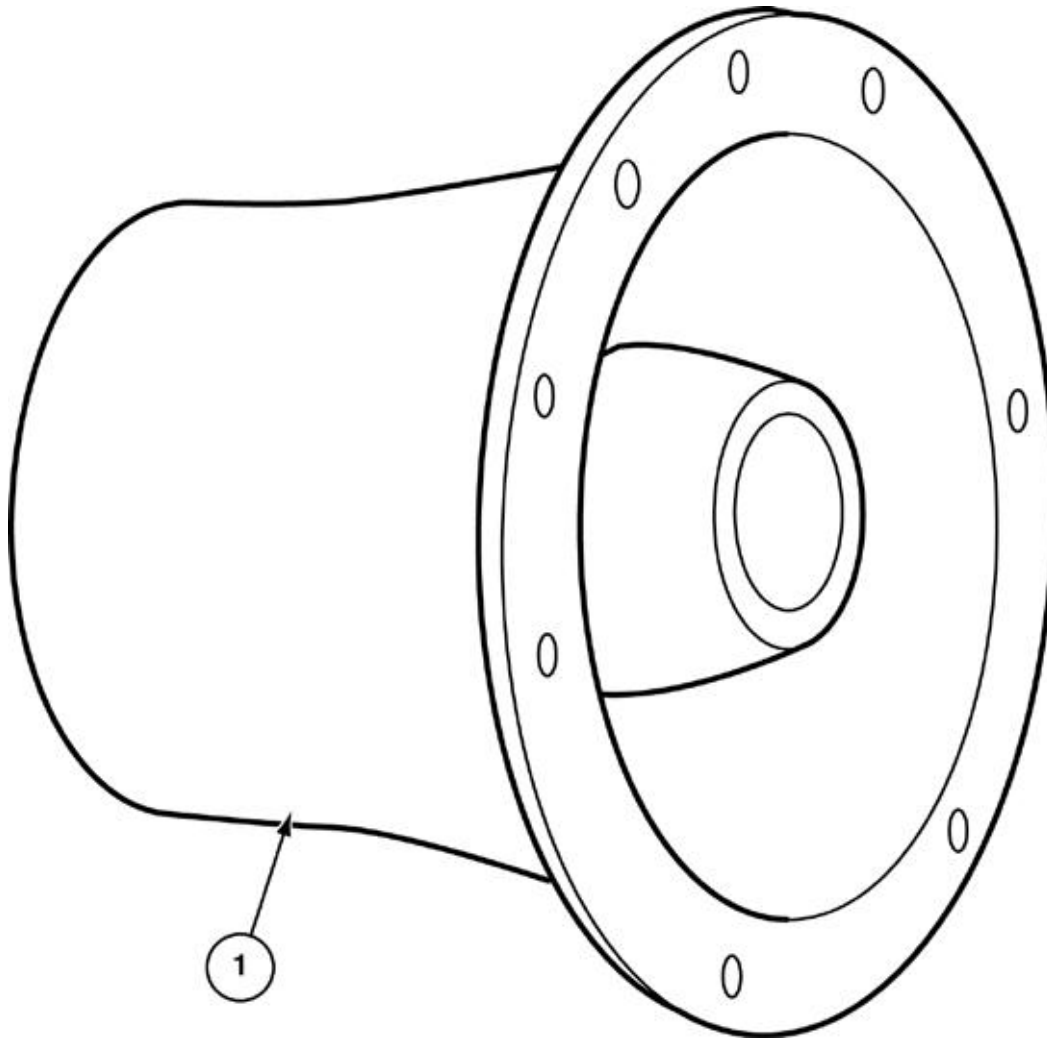
<i>ITEM PART NO. DESCRIPTION</i>	<i>QTY</i>	<i>ITEM PART NO. DESCRIPTION</i>	<i>QTY</i>
01 3974696 Controller, Padin 4	1		
NS 3973516 Filter, Power 25 AMP For Video/Radio	1		
NS 3973037 Externsion, Microphone 20'	1		
NS 3973039 Microphone, Hand Held BVMH01	1		



DVD in GloVebox

Cx0000021346 - 0410514

<i>ITEM PART NO. DESCRIPTION</i>	<i>QTY</i>	<i>ITEM PART NO. DESCRIPTION</i>	<i>QTY</i>
01 CH-000-900-0703L Glove Box, Locking	1		
NS 3971719 DVD Player, Flexvision Single	1		
NS 3973516 Filter, Power 25 Amp for Vid/Rad	1		
NS 3970464 Breaker, 10 Amp 1771-1020	1		
NS 3973710 Cable, RCA 25' ASA	2		



exterior page speaker
cx-000-900-5030 / cx0000025030

ITEM	PART NO.	DESCRIPTION	QTY	ITEM	PART NO.	DESCRIPTION	QTY
01	3971955	Speaker, External	1				
N/S	0741009	Tube, Shrink .25 PF-1/4-4BK	A/R				
N/S	3945623	Loom, 1/4" Split Plastic Hi-Temp	A/R				
N/S	3973881	SWITCH,CARLING ON/OFF	1				
N/S	3973901	ACTUATOR,BLANK	1				
N/S	3973885	SWITCH,HOLDER PLUG	1				
N/S	3973901	ACTUATOR,BLANK	1				



Radio, monitoRs & speakeRs

0420529 / 0420518

ITEM	PART NO.	DESCRIPTION	QTY	ITEM	PART NO.	DESCRIPTION	QTY
	0420529	RADIO, PKG W/20" MONITORS & 11.2" FLIP MON.			0420518	INSTALL, SPEAKER 5.25" DBL CONE W/GRILLE	
1	3975398	RADIO, VR3000 AM/FM/CD/DVD/PA	1	05	3975600	SPEAKER, 5.25" W/GRILLE, DBL CONE	8
	3974698	RADIO, ADAPTER, ANTENNA FM130 FORD	1	NS	3971343	WIRE, SPEAKER BLACK/RED 20-2	96
	3974906	RADIO, MOUNT, DASH FORD	1	NS	3971341	WIRE, SPEAKER BLUE/WHITE	144
2	3975585	MONITOR, 20" LCD SLIM LINE	1				
	3975586	MOUNT, WALL 20" LCD MONITOR	1				
3	3975591	MONITOR, 11.2" FLIP DOWN LCD	2				
4	3975450	AMPLIFIER, VIDEO DIST. LOW PROFILE	1				
NS	3975521	CABLE, MONITOR POWER 30'	3				
NS	6975452	CABLE, 27' COAX RG-6	2				
NS	3975589	CABLE, 18' COAX	1				
NS	3975590	CABLE 33' COAX	1				

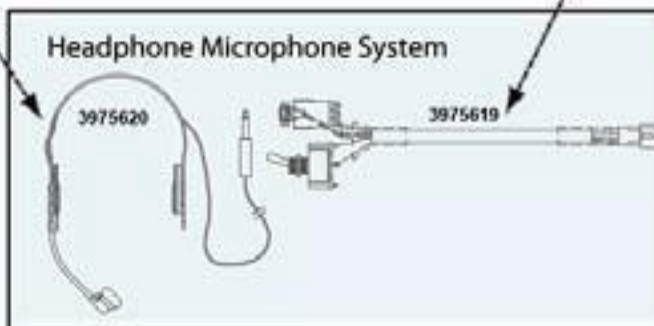
1

CD-2000 AM/FM/CD Stereo Radio w/PA



2

Headphone Microphone System



3

radio/am/fm/mp3/pa w/headset 0414672 (rev-b)

ITEM	PART NO.	DESCRIPTION	QTY	ITEM	PART NO.	DESCRIPTION	QTY
01	3975475	Radio, AM/FM/CD/Page CD-2000	1				
2	3975620	Mic, Headset DYNMC	1				
3	3975619	Switch, Mic Headphone Jack	1				
NS	3975618	Adapter, Mid Minifit	1				



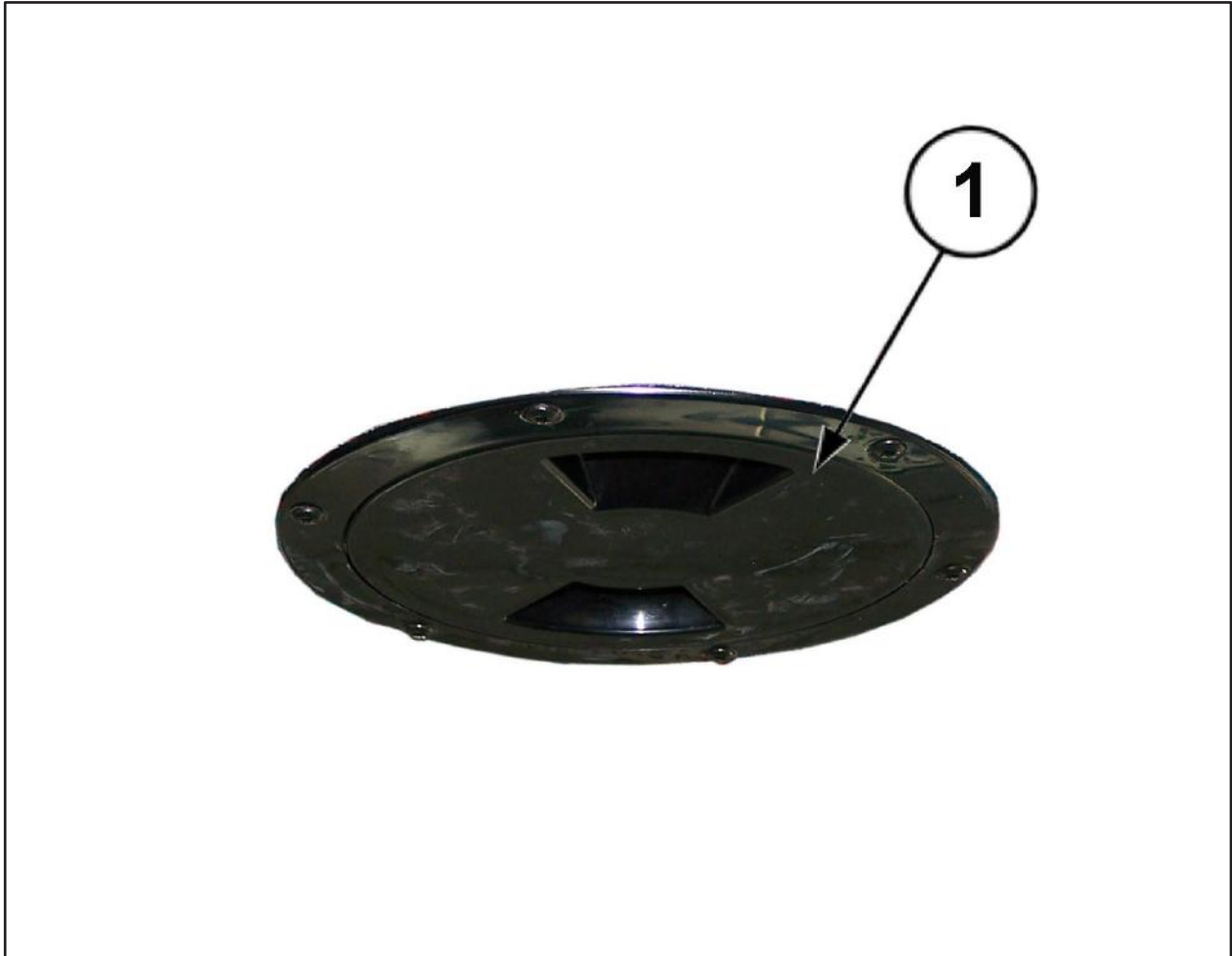
**remote page jack & microphone clip
0421438**

<i>ITEM</i>	<i>PART NO.</i>	<i>DESCRIPTION</i>	<i>QTY</i>	<i>ITEM</i>	<i>PART NO.</i>	<i>DESCRIPTION</i>	<i>QTY</i>
01	3973707	Microphone, Clip	1				
02	3975399	Cable, 3' Minifit-PNL Mount XLR	1				
NS	3975599	Cable, 17' Microphone Jack & Harness	1				



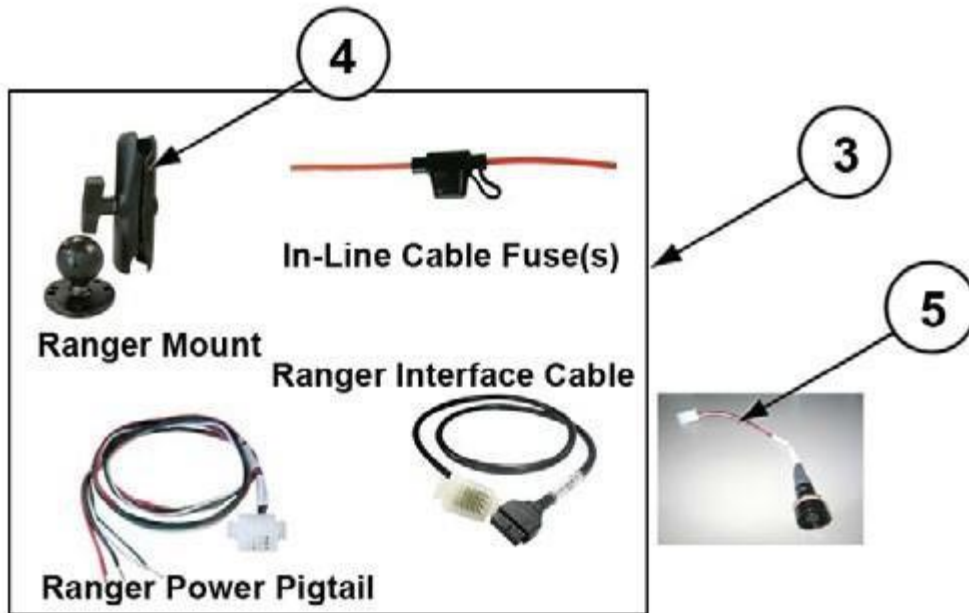
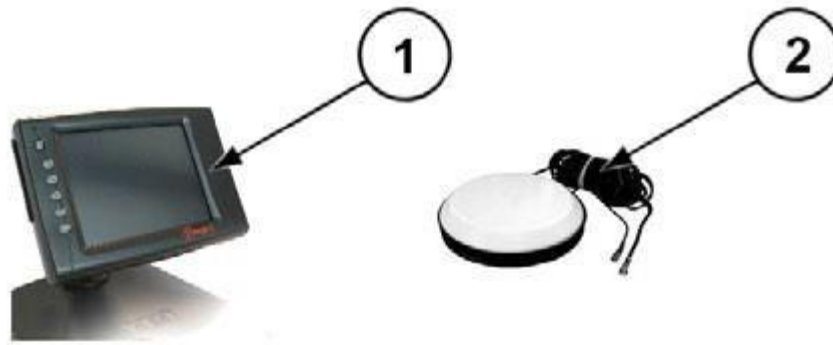
RADIO, two way pRep
CH000022998, 0403063, CH-000-900-2998

<i>ITEM PART NO. DESCRIPTION</i>	<i>QTY</i>	<i>ITEM PART NO. DESCRIPTION</i>	<i>QTY</i>
0403063 INSTALL, ACCESS PORT		CH000022998 TWO WAY RADIO PREP CH/CR	
01 3342144 Port, Access 5.0	1	NS 0342428 Steel, Flat 14GA/16GA x 6 x 96	AR
NS 8570739 Screw, 8 x 384 Pan Black	6	NS 3971058 Conduit, 3/4" Flex Aluminum 50'	17
		NS 3971354 Wire, 10GA GXL Red	27
		NS 3971309 Wire, 10GA GXL White	12
		NS 3971611 Terminal, Heat Shrink Ring 12-10 #10	1
		NS 3941127 Loom, 1/2" Split Plastic	12



RADIO, two way pRep
DF000022998, 0403063, DF-000-900-2998

<i>ITEM PART NO. DESCRIPTION</i>	<i>QTY</i>	<i>ITEM PART NO. DESCRIPTION</i>	<i>QTY</i>
0403063 INSTALL, ACCESS PORT		DF000022998 TWO WAY RADIO PREP CH/CR	
01 3342144 Port, Access 5.0	1	NS 0342428 Steel, Flat 14GA/16GA x 6 x 96	AR
NS 8570739 Screw, 8 x 384 Pan Black	6	NS 3971058 Conduit, 3/4" Flex Aluminum 50'	17
		NS 3974661 Harness, Radio Prep	1



**mentor ranger gps system
0419238**

ITEM	PART NO.	DESCRIPTION	QTY	ITEM	PART NO.	DESCRIPTION	QTY
1	3975104	MONITOR, MENTOR RANGER 7	1\	NS	3974367	KIT, ODOMETER OPTION	1
	3975361	MENTOR, MAG SWIPE OPT		NS	3975106	SOFTWARE, MENTOR RANGER 7	1
	1			NS	3975107	SOFTWARE, MOBILITY LICENSE (MR7)	1
2	3975105	ANTENNA, MENTOR RANGER 7	1	NS	3975108	SOFTWARE, MOBILITY MENT RANGER 7	1
3	3974365	KIT, INSTALL RANGER GPS	1	NS	3974368	KIT, LICENSE FEE	1
4	3975362	KIT, MOUNTING RANGER GPS	1	NS	3975364	RANGER, EXTENDED WARRANTY	1
	0379155	BRACKET, MOUNT GPS MONITOR	1	NS	3975366	TERMINAL, CONN FEMALE 18-24 AWG T	10
5	3975363	KIT, EMERGENCY SWITCH	1				



rei hd400 camera system
0421820 / 3975907

<i>ITEM PART NO. DESCRIPTION</i>	<i>QTY</i>	<i>ITEM PART NO. DESCRIPTION</i>	<i>QTY</i>
3975907 Kit, HD400 3-Camera W320GB HD			
01 3975626 DVR, HD400 4-Channel	1		
2 3975023 HDD Module, 320GB SATA, HD Series	1		
3 710360 IR Camera, Intern HR Wedge W/Audio 2.8mm	1		
4 3974137 Camera, Dome 4mm Color	1		
5 3975413 Cover, Camera Illuminator Dome	1		
6 710361 IR Camera, InternHR Wedge W/Audio 4mm	1		
7 3975684 CD, HD Series PC Software APPS	1		
8 3975011 Cable, Camera Power to DVD	1		
NS 512168 Cable, Camera 25'	2		
NS 510993 Cable, Camera 50'	1		



spare tire (loose)
CH-000-998-2011I / CH000f510014

<i>ITEM</i>	<i>PART NO.</i>	<i>DESCRIPTION</i>	<i>QTY</i>	<i>ITEM</i>	<i>PART NO.</i>	<i>DESCRIPTION</i>	<i>QTY</i>
1	N/A						
2	0570191	TIRE, OEM Chassis - Ford/Chevy/ Frtlr	1				



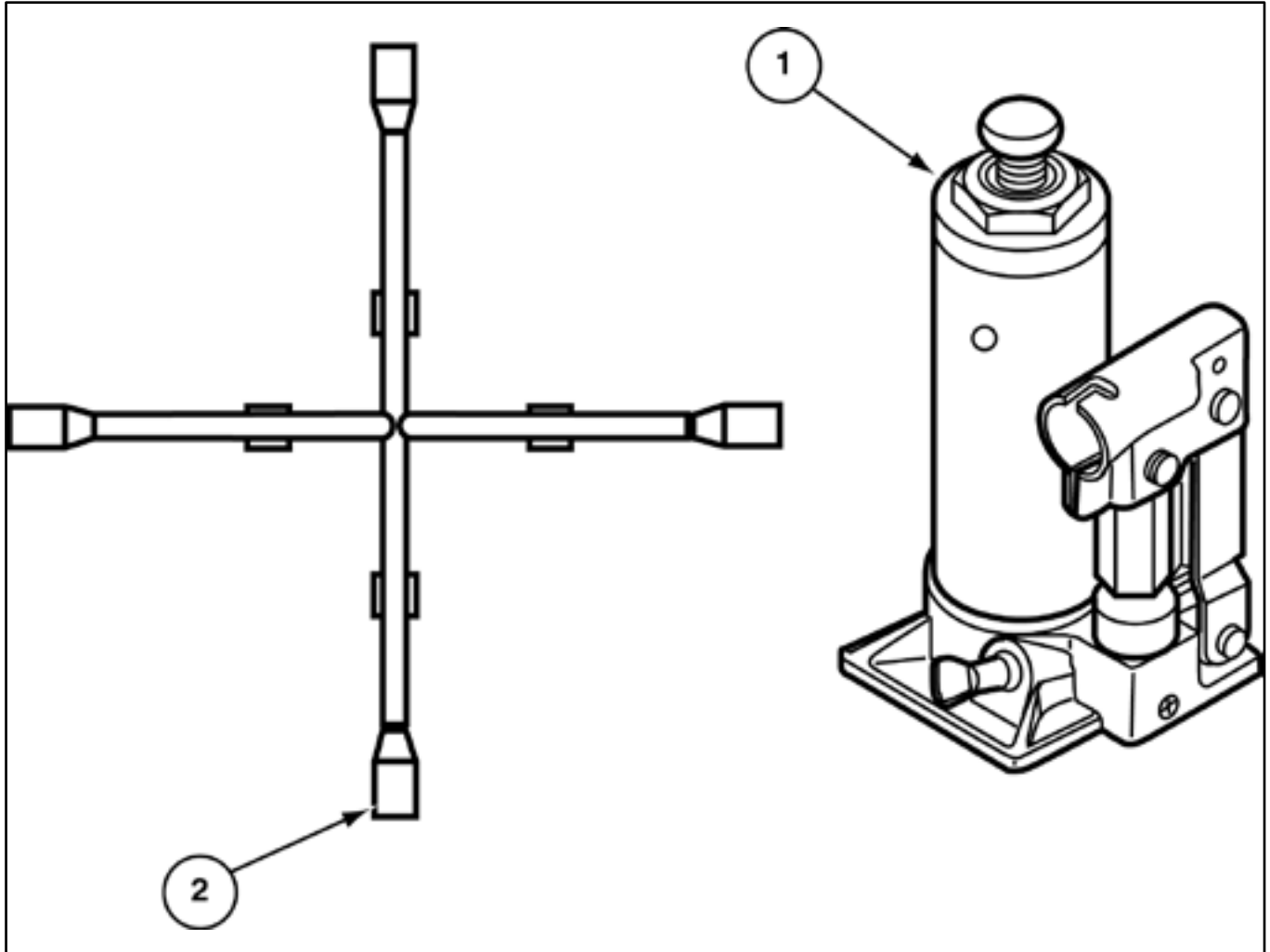
INSTALL SPARE TIRE (LOOSE) CH-000-900-2011L

<i>ITEM PARTNO. DESCRIPTION</i>	<i>QTY</i>	<i>ITEM PARTNO. DESCRIPTION</i>	<i>QTY</i>
NS 0541755 VALVE,TIREBRASS	1		
01 0570010 WHEEL,FORD199228618	1		
02 0570160 TIRE,LT22575R16LTXMICHELIN 25	1		



**spare tire (mounted) defender
df-000-900-4025**

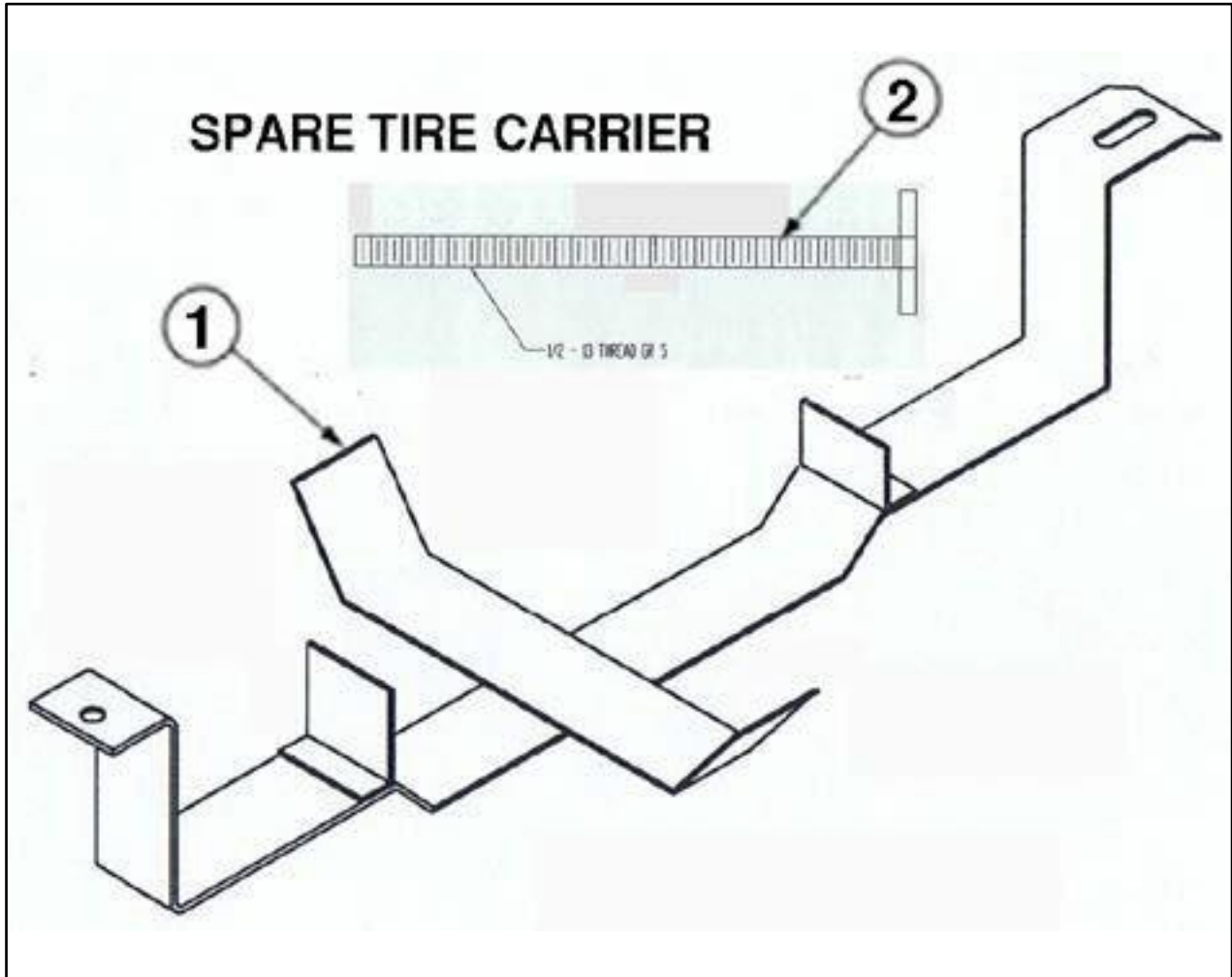
<i>ITEM</i>	<i>PART NO.</i>	<i>DESCRIPTION</i>	<i>QTY</i>	<i>ITEM</i>	<i>PART NO.</i>	<i>DESCRIPTION</i>	<i>QTY</i>
01	0570122	WHEEL, 19.5" NAVISTAR 8-LUG	1				
02	0541607	TIRE, GOODYEAR 245/70R 19.5	1				
NS	0541755	VALVE, TIRE BRASS	1				
NS	0570166	WHEEL, 19.5" 8-LUG	1				
NS	0541458	CARRIER, SPARE TIRE CTS/DEFENDER	1				
NS	0377255	ROD, THREADED 14" SPARE TIRE MOUNT	2				



Jack & Lug wrench mounted (f-550) 0420386

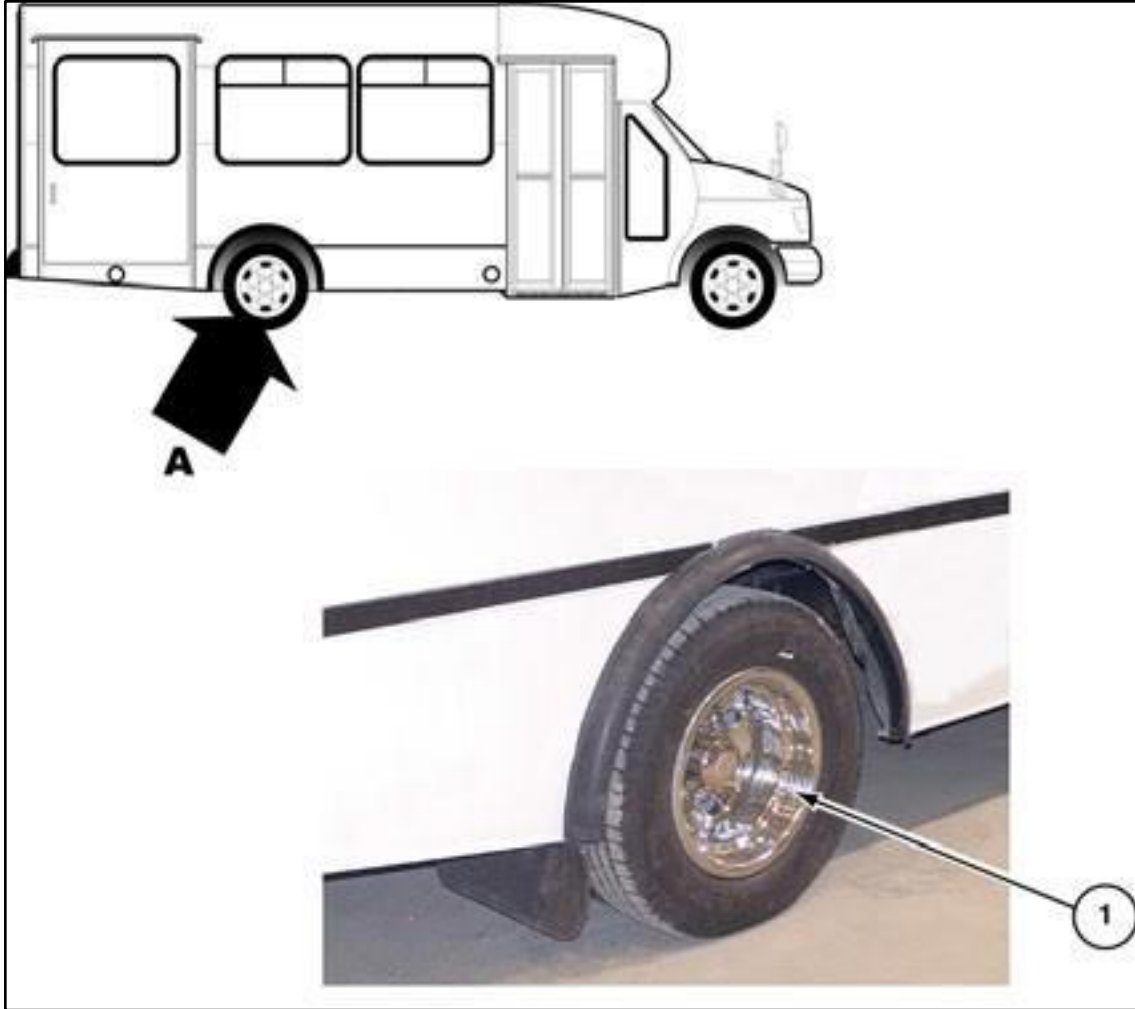
<u>ITEM</u>	<u>PART NO.</u>	<u>DESCRIPTION</u>	<u>QTY</u>	<u>ITEM</u>	<u>PART NO.</u>	<u>DESCRIPTION</u>	<u>QTY</u>
1	0171211	Jack Assy Lift F550	1				
2	0171210	Lug Wrench Tool Roll F550	1				

NOTE: *Picture may not represent part exactly.*



**spare tire carrier 19.5" tires
0417957 / 0541458**

<i>ITEM</i>	<i>PART NO.</i>	<i>DESCRIPTION</i>	<i>QTY</i>	<i>ITEM</i>	<i>PART NO.</i>	<i>DESCRIPTION</i>	<i>QTY</i>
1	0541458	Carrier, Spare Tire CTS/Defender	1				
2	0377255	Rod, Threaded 14" Spare Tire Mount	2				



STAINLESS STEEL WHEEL COVERS 19.5"
0411081

<i>ITEM PART NO. DESCRIPTION</i>	<i>QTY</i>	<i>ITEM PART NO. DESCRIPTION</i>	<i>QTY</i>
01 0570241 Insert, S/S Wheel 19.5 Ford F550			

1



STAINLESS STEEL WHEEL INSERTS (SET)
CGT-000-900-2212

<i>ITEM PART NO. DESCRIPTION</i>	<i>QTY</i>	<i>ITEM PART NO. DESCRIPTION</i>	<i>QTY</i>
----------------------------------	------------	----------------------------------	------------

01 0570120 Insert,S/S Wheel 16" Chevy	1		
---------------------------------------	---	--	--



stainless steel wheel inserts (10 lug)
df-000-998-2212

<i>ITEM PART NO. DESCRIPTION</i>	<i>QTY</i>	<i>ITEM PART NO. DESCRIPTION</i>	<i>QTY</i>
01 0570158 Insert, Wheel 19.5" Navistar (10 Lug)	1		

**no PicTuRe aVailaBle
aT ThiS Time**

**alcoa aluminum wheel (f550)
0421620**

<u>ITEM</u>	<u>PART NO.</u>	<u>DESCRIPTION</u>	<u>QTY</u>	<u>ITEM</u>	<u>PART NO.</u>	<u>DESCRIPTION</u>	<u>QTY</u>
N/S	0570243	Wheel, Alcoa Alum F550 Rear	2				
N/S	0570250	Wheel, Alcoa Alum. Polished F550 Frnt	2				



**DELUXE HUB CAPS (SET OF FOUR) CH/CR
CR000GA12310 / CH000FP12310**

<i>ITEM PART NO. DESCRIPTION</i>	<i>QTY</i>	<i>ITEM PART NO. DESCRIPTION</i>	<i>QTY</i>
01 0541151 Wheelcover, 16" New Style (Set of 4)	1		



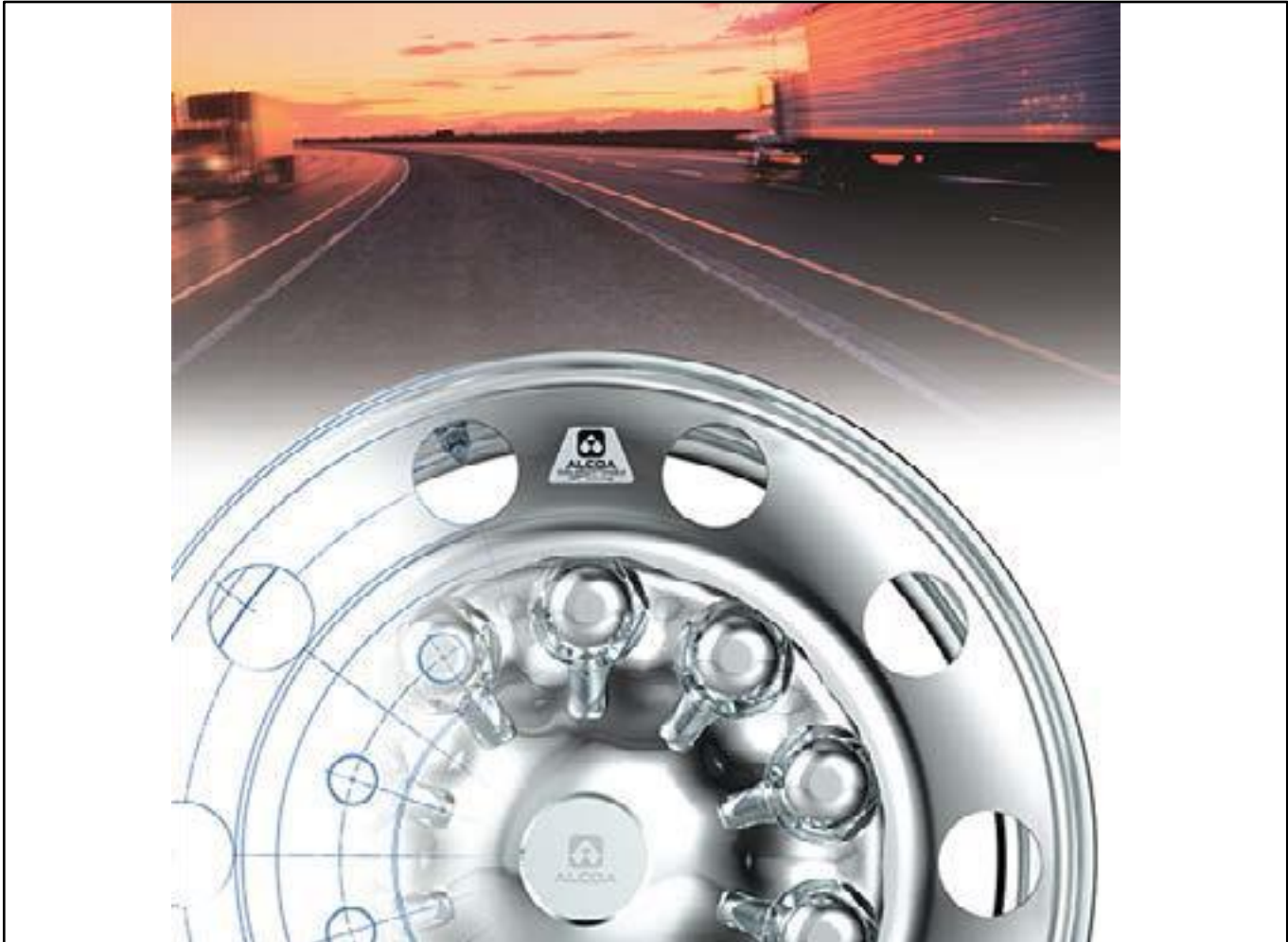
**tire pressure monitoring system
0421445**

<i>ITEM PART NO. DESCRIPTION</i>	<i>QTY</i>	<i>ITEM PART NO. DESCRIPTION</i>	<i>QTY</i>
1 3975875 Monitor, Tire Pressure System, 3" Stem 1			

**no PicTuRe aVailaBle
aT ThiS Time**

**alcoa aluminum wheel (f550)
0420354**

<i>ITEM PART NO. DESCRIPTION</i>	<i>QTY</i>	<i>ITEM PART NO. DESCRIPTION</i>	<i>QTY</i>
N/S 0570243 Wheel, Alcoa Alum F550 Rear (Spare)	1		



alcoa hub covers (f550)
0422456

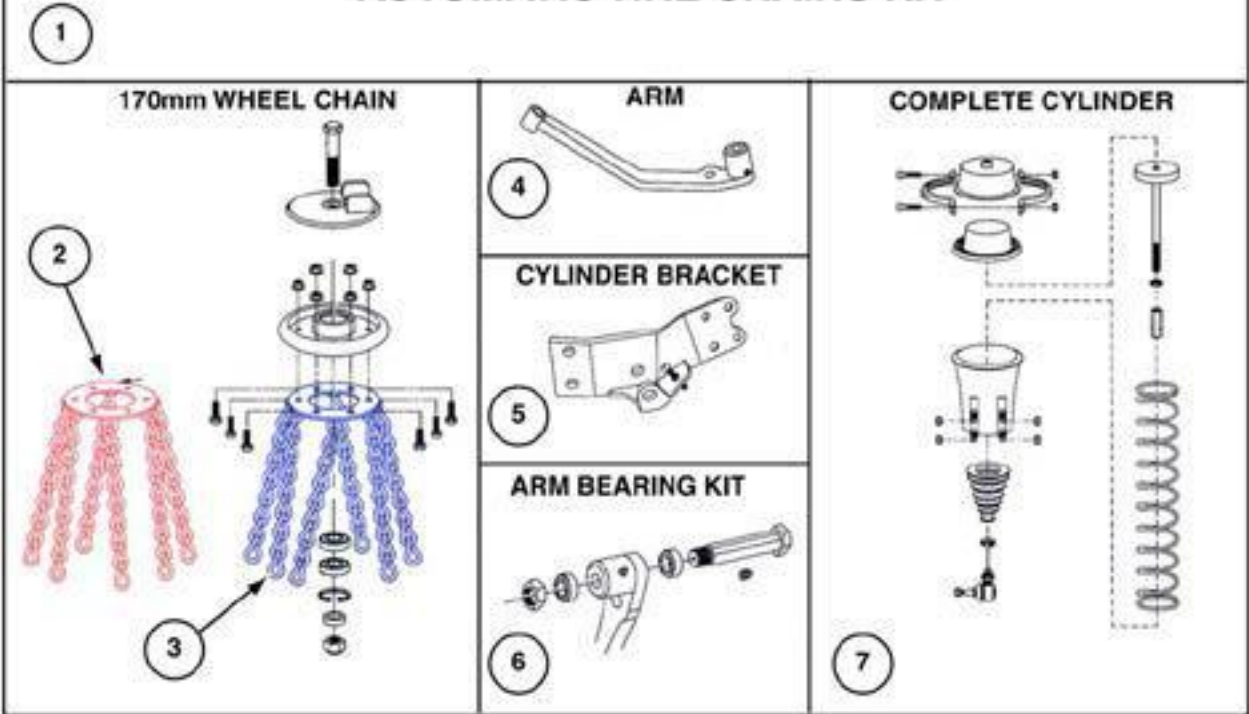
<i>ITEM PART NO. DESCRIPTION</i>	<i>QTY</i>	<i>ITEM PART NO. DESCRIPTION</i>	<i>QTY</i>
N/S 0570260 Cover, Hub F-550 Alum Wheels (Set 4)	1		



AUTOMATIC TIRE CHAINS - ON-Spot f550 0421501

<i>ITEM PART NO. DESCRIPTION</i>	<i>QTY</i>	<i>ITEM PART NO. DESCRIPTION</i>	<i>QTY</i>
1 0570221 Chains, Tire On-Spot M55P2	1		
2 0570248 Chains, Tire Mtg Bracket M-35-F550-3	1		
3 0570189 Compressor, Air Pump & Tank	1		
NS 0376498 Box, Pump Granning Air Ride/Land Lin	1		
NS 5370159 Door, Square Corner 9 x 24 W/Thumb L1	1		
NS 0970048 Plywood, 5/8 x 4 x 8 CC-PTS Untreated.	1		

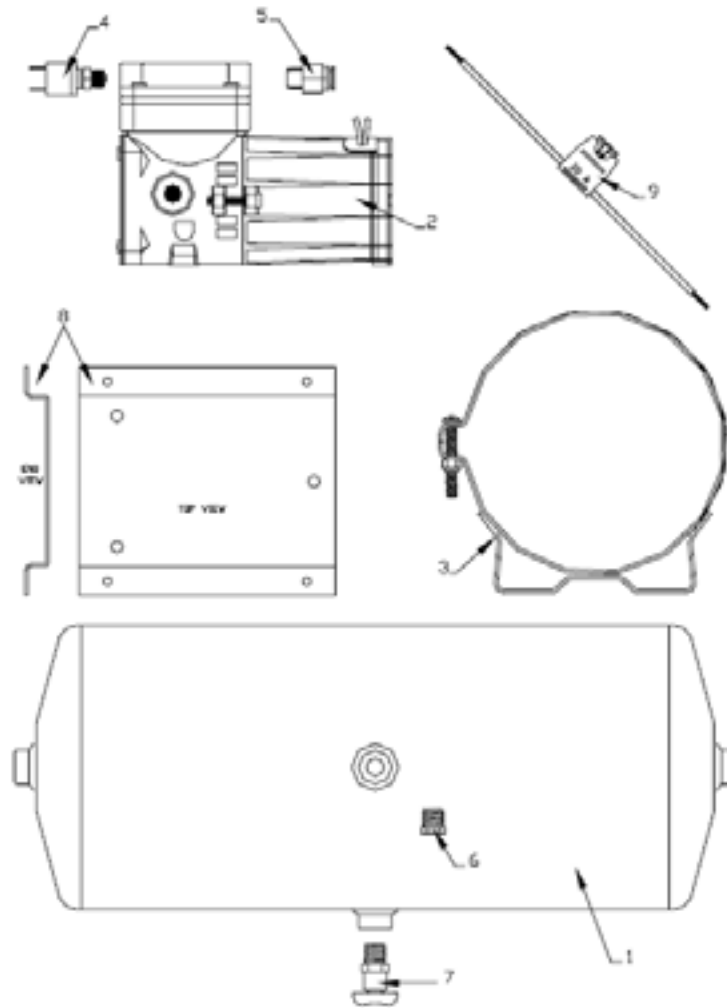
AUTOMATIC TIRE CHAINS KIT



AUTOMATIC TIRE CHAINS f550

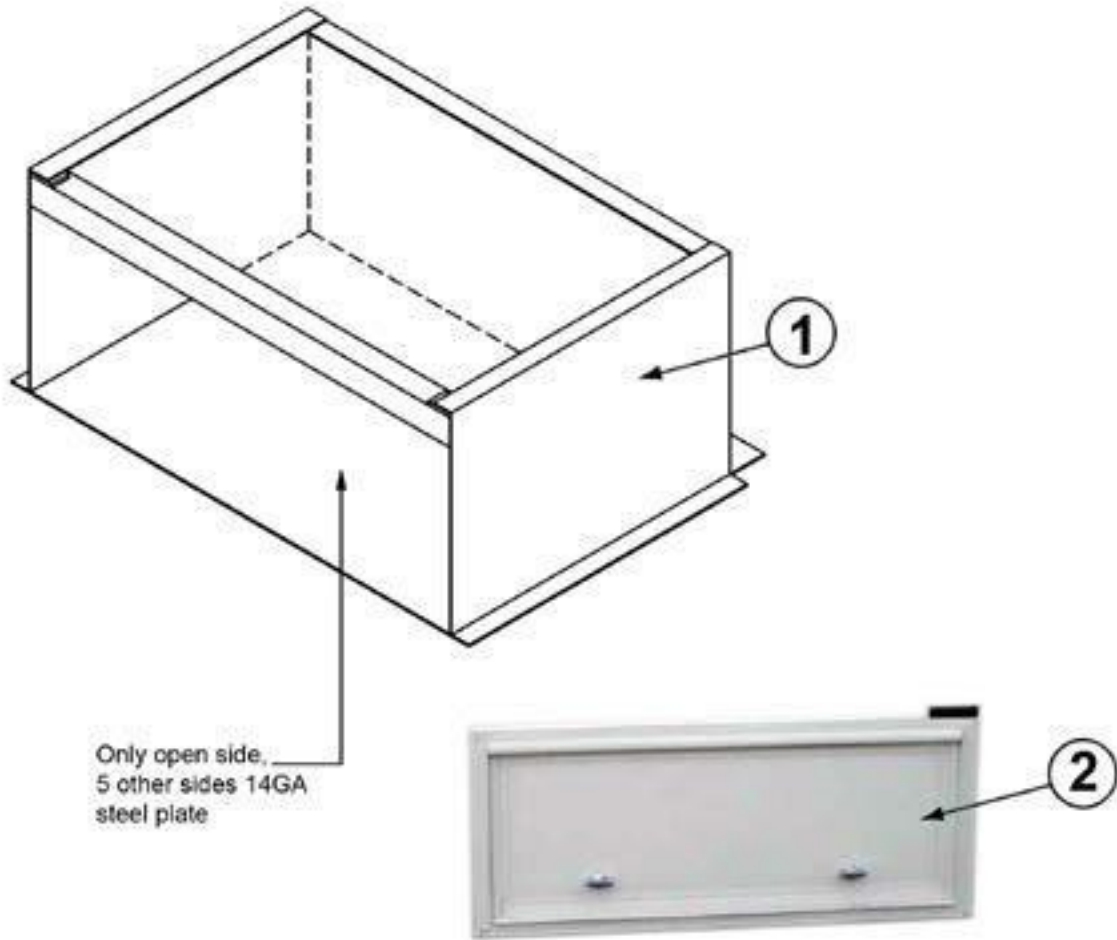
0422372 (pAgE 1)

ITEM	PART NO.	DESCRIPTION	QTY	ITEM	PART NO.	DESCRIPTION	QTY
1	0570259	Chains, Tire On-Spot F550 Air Suspension	1				
2	1014639	Chainplate, Roadside (RED 170mm)	1				
3	1014640	Chainplate, Curbside (BLUE 170mm)	1				
04	1014641	Left Arm (1342-AL)	1				
		Right Arm (1342-AR)	1				
5	1014642	Bracket, Cylinder Roadside (5522-AL)	1				
		Bracket, Cylinder Curbside (5522-AR)	1				
6	1014643	Kit, Arm Bearing	1				
7	1014644	Cylinder Complete	1				
N/S	0570176	Bracket, Tire Chains Mounting (04-4812-B5)	1				



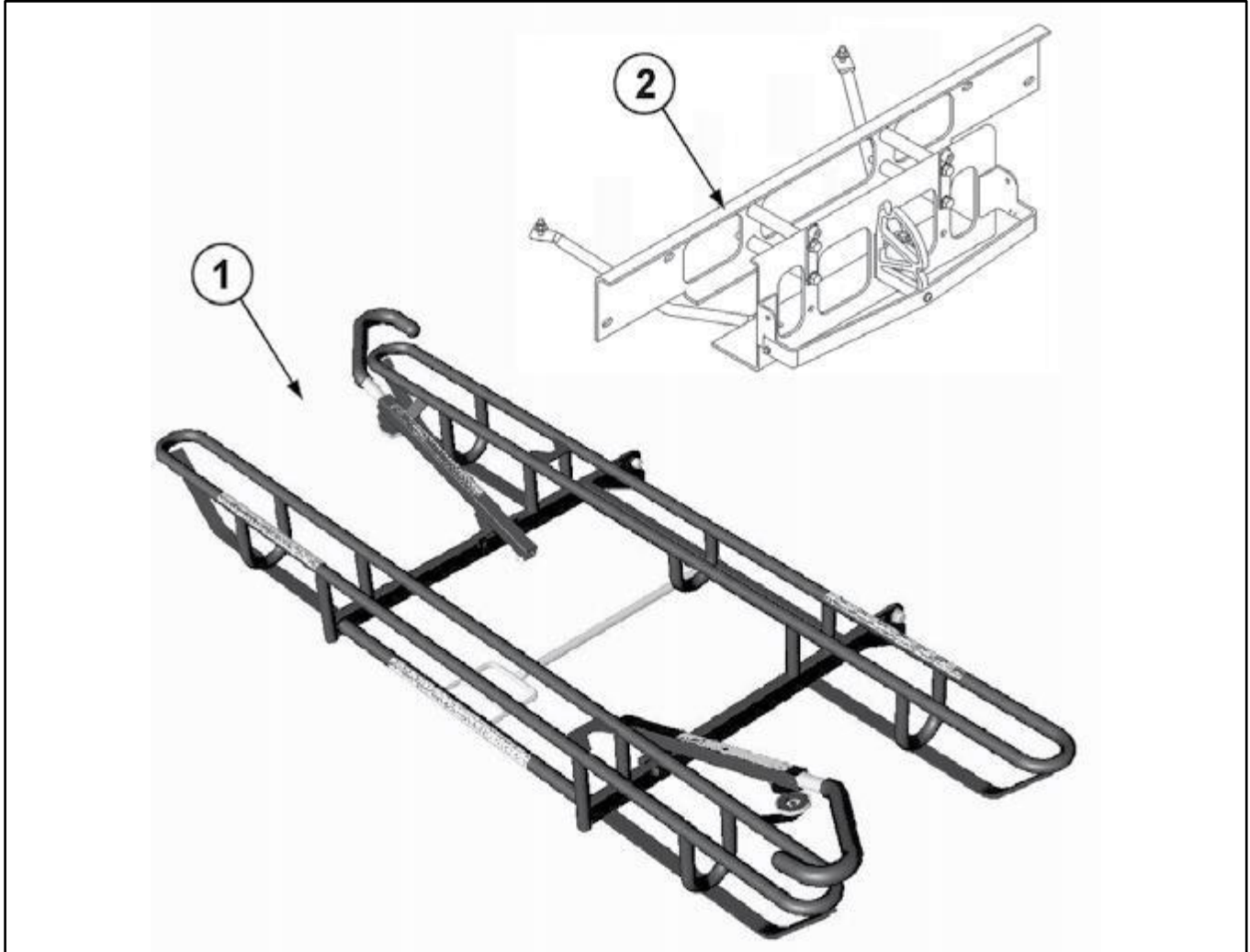
AUTOMATIC TIRE CHAINS f550 - COMPRESSOR 0422372 (pAgE 2)

ITEM	PART NO.	DESCRIPTION	QTY	ITEM	PART NO.	DESCRIPTION	QTY
00	0570189	Compressor, Air Pump & Tank On-Spot	1				
01	9600	600 C.I.D. Tank	1				
2	9012	12-Volt Air Compressor, .35 CFM	1				
3	9002	Tank Mounting Bracket	2				
4	9052-W	Micro Pressure Switch 85-105 lbs.	1				
5	N/A						
06	9009	Pipe Plug 1/4"	1				
7	9008	Air Tank Drain Valve	1				
8	9051	Air Compressor Mounting Bracket	1				
9	9019	Fuse Link	1				



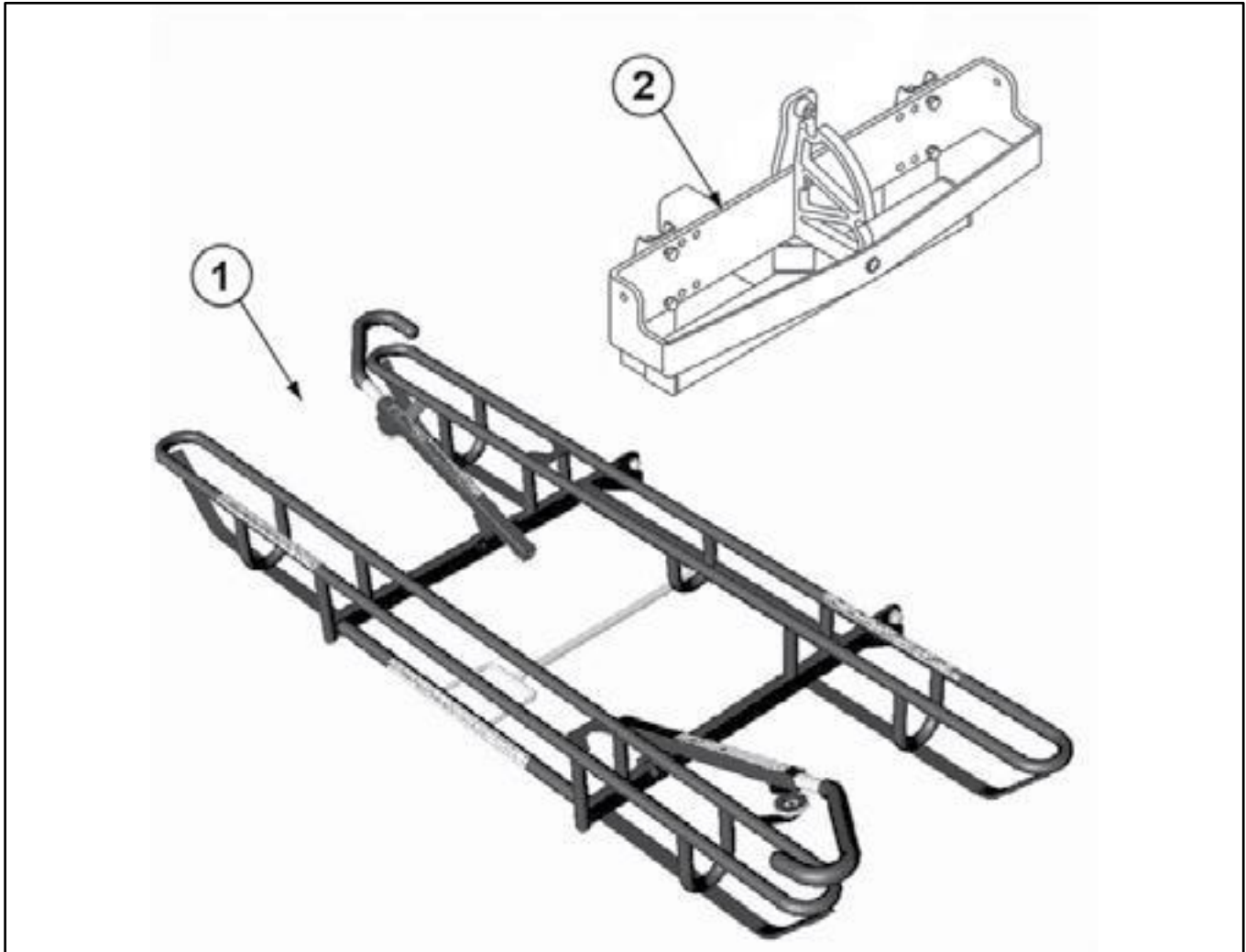
compressor box - tire chains
0422372 (page 2)

<i>ITEM</i>	<i>PART NO.</i>	<i>DESCRIPTION</i>	<i>QTY</i>	<i>ITEM</i>	<i>PART NO.</i>	<i>DESCRIPTION</i>	<i>QTY</i>
1	0376498	BOX, PUMP GRANNING AIR RIDE	1				
2	5370156	DOOR, SQUARE CRNR 9 X 24 W/THUMB	1				
NS	0970048	Plywood, 5/8 x 4 x 8 CC-PTS Untreated	1				



bike rack dl2 0403781

<i>ITEM PART NO. DESCRIPTION</i>	<i>QTY</i>	<i>ITEM PART NO. DESCRIPTION</i>	<i>QTY</i>
01 6570085 Rack, Bike DL2	1		
2 6570161 Plate, Ford 08 E450 Vented Mtg Assy	1		
NS 6570160 Kit, Bolt Ford 08 E450 Vented Bracket	1		



**bike rack, bLack SPORt dL2 (f550)
0420772**

<i>ITEM PART NO. DESCRIPTION</i>	<i>QTY</i>	<i>ITEM PART NO. DESCRIPTION</i>	<i>QTY</i>
01 6570085 Rack, Bike DL2	1		
02 6570142 Plate, Pivot DL2/3 Assy	1		
NS 6570210 Bracket, Bike Rack F550 DL2	1		



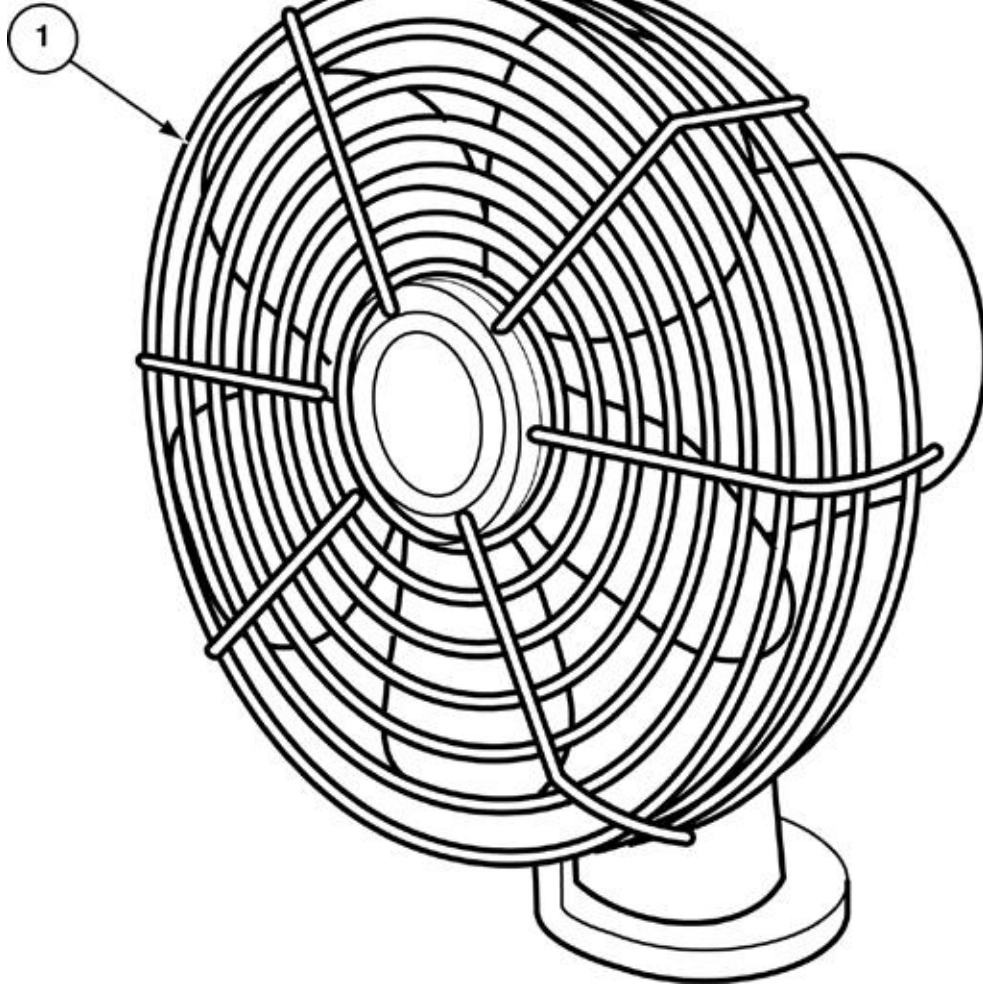
oXYGEN TANK HoLDER
0416427

<i>ITEM PART NO. DESCRIPTION</i>	<i>QTY</i>	<i>ITEM PART NO. DESCRIPTION</i>	<i>QTY</i>
01 0378675 Rack, Oxygen Tank	1		



**install oxygen tank bracket
0414635**

<i>ITEM PART NO. DESCRIPTION</i>	<i>QTY</i>	<i>ITEM PART NO. DESCRIPTION</i>	<i>QTY</i>
01 0377923 Bracket, Oxygen Tank Mounting	1		



INSTALL DEFROST FAN
0402763 - CH0000022810 - CH-000-900-2810

<i>ITEMPART NO.</i>	<i>DESCRIPTION</i>	<i>ITEMPART NO.</i>	<i>DESCRIPTION</i>
01	6540728 FAN, DEFROSTER 12 VOLT	1	
N/S	8570768 SCREW (8 x 1-1/2 PAN QUAD BLACK)	4	
N/S	8570053 STAR-WASHER, #10	1	
N/S	3944162 SWITCH, 2-SPEED BLUE	1	
N/S	3971290 BREAKER, 20 AMP	1	



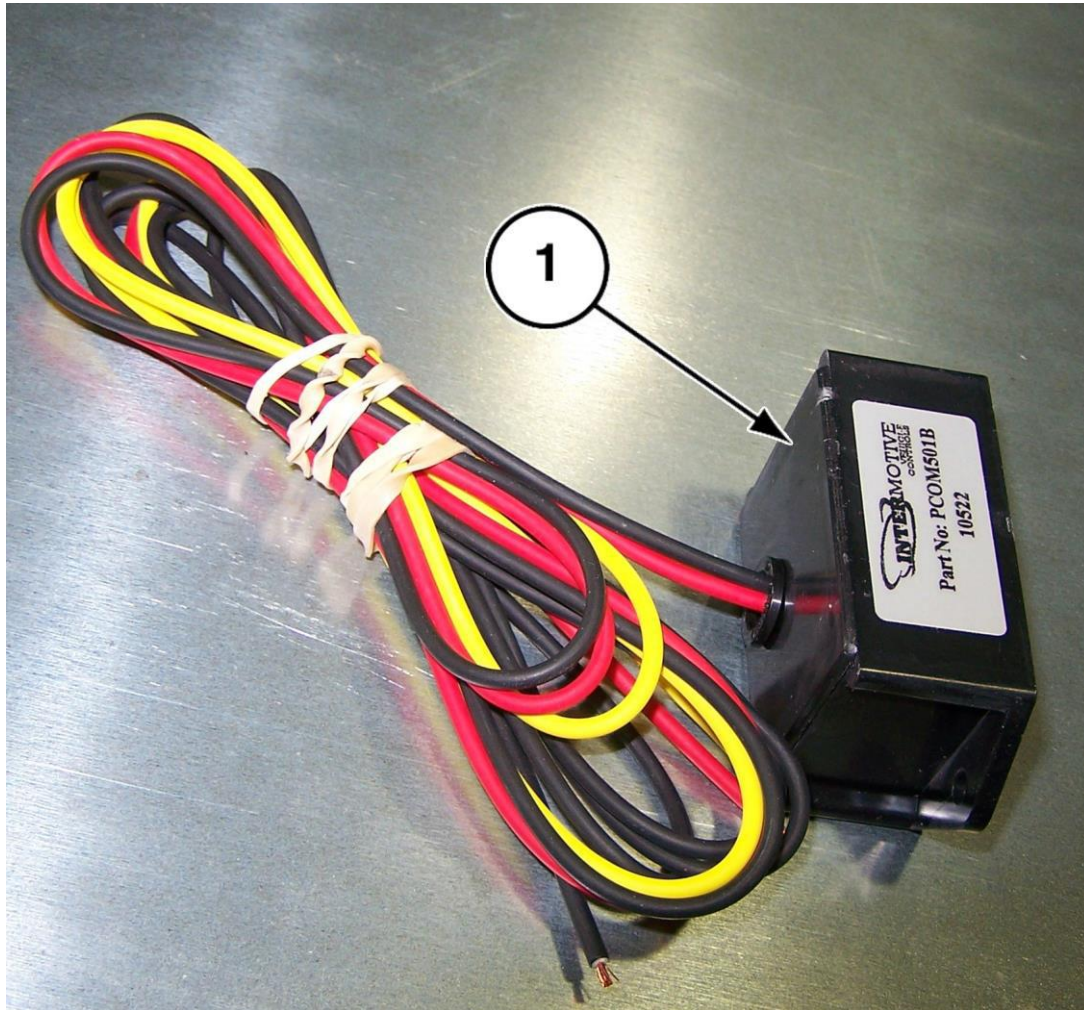
quartz digital clock install
0404029 - cx0000020011 - cx-000-900-0011

<i>ITEMPART NO.</i>	<i>DESCRIPTION</i>	<i>ITEMPART NO.</i>	<i>DESCRIPTION</i>
01	0404029 Install Clock Quartz LED Drivers	1	



INSTALL 12-VOLT DIGITAL CLOCK 0414069

<i>ITEM</i>	<i>PARTNO.</i>	<i>DESCRIPTION</i>	<i>QTY</i>	<i>ITEM</i>	<i>PARTNO.</i>	<i>DESCRIPTION</i>	<i>QTY</i>
01	3973356	CLOCK,12VOLT2.5DIGIT	1				



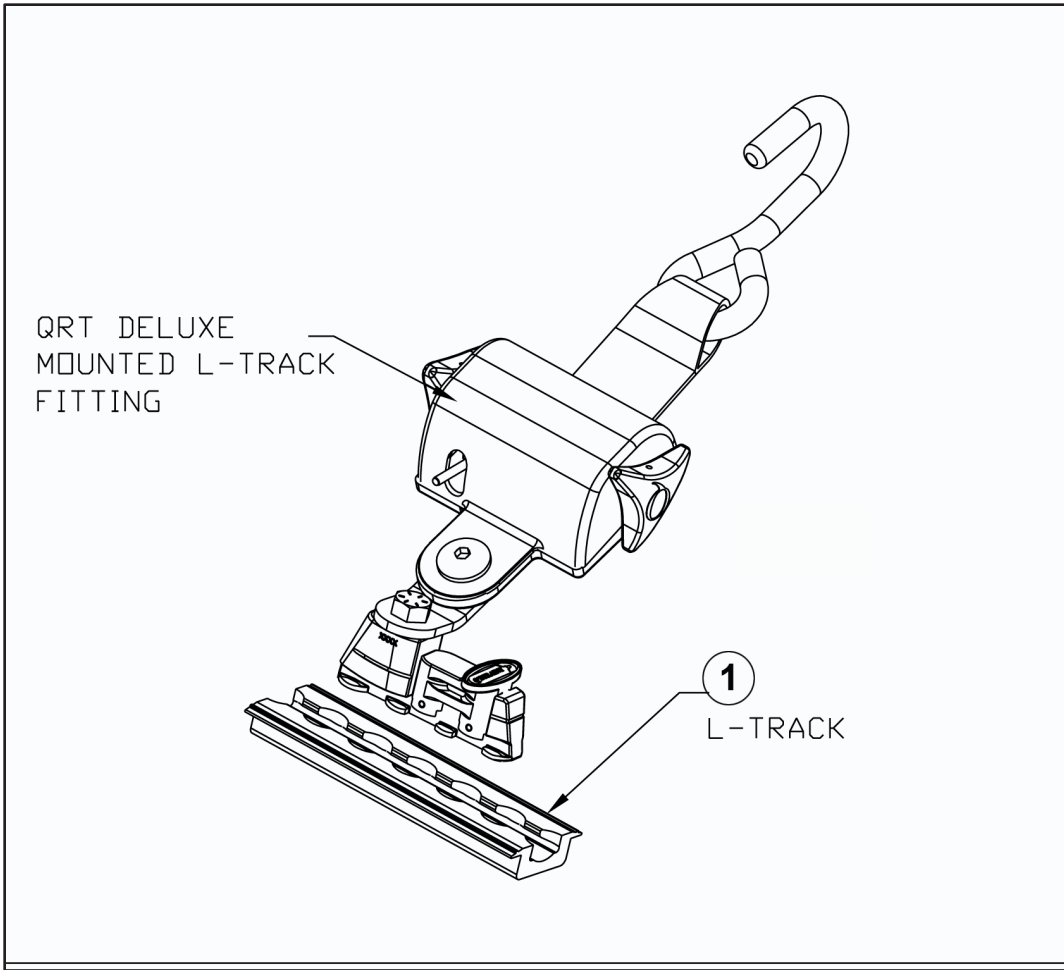
**Module park crank ford
0412989**

<i>ITEM</i>	<i>PART NO.</i>	<i>DESCRIPTION</i>	<i>QTY</i>	<i>ITEM</i>	<i>PART NO.</i>	<i>DESCRIPTION</i>	<i>QTY</i>
01	3973224	Module, Park Crank Only 2005	1				



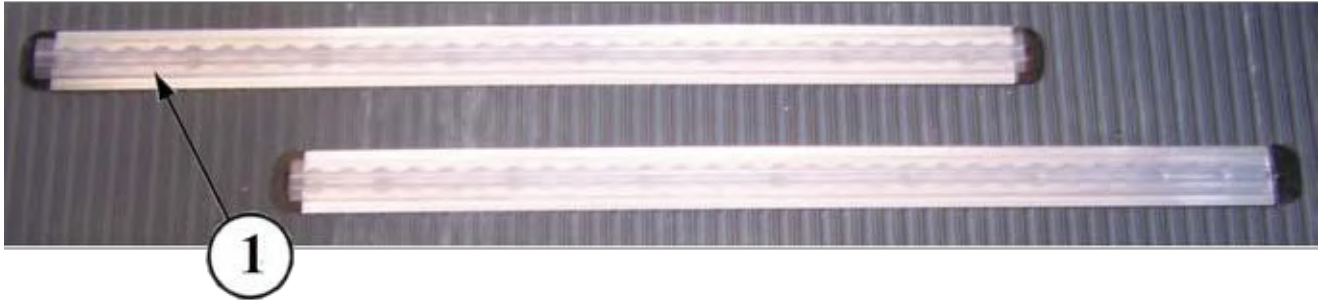
duratrans shifter module
0410016

<i>ITEM</i>	<i>PART NO.</i>	<i>DESCRIPTION</i>	<i>QTY</i>	<i>ITEM</i>	<i>PART NO.</i>	<i>DESCRIPTION</i>	<i>QTY</i>
01	6170546	INTERLOCK, ILIS FORD '08 W/DURATRANS	1				



I-track front to back
cx0000061057 / CX0000060047

<i>ITEM PART NO.</i>	<i>DESCRIPTION</i>	<i>QTY</i>	<i>ITEM PART NO.</i>	<i>DESCRIPTION</i>	<i>QTY</i>
01 7371215	TRACK, TIEDOWN ALUM-L W/FLANGE	A/R			
N/S 4570061	TRACK, TIEDOWN ALUM-L W/O FLANGE	A/R			



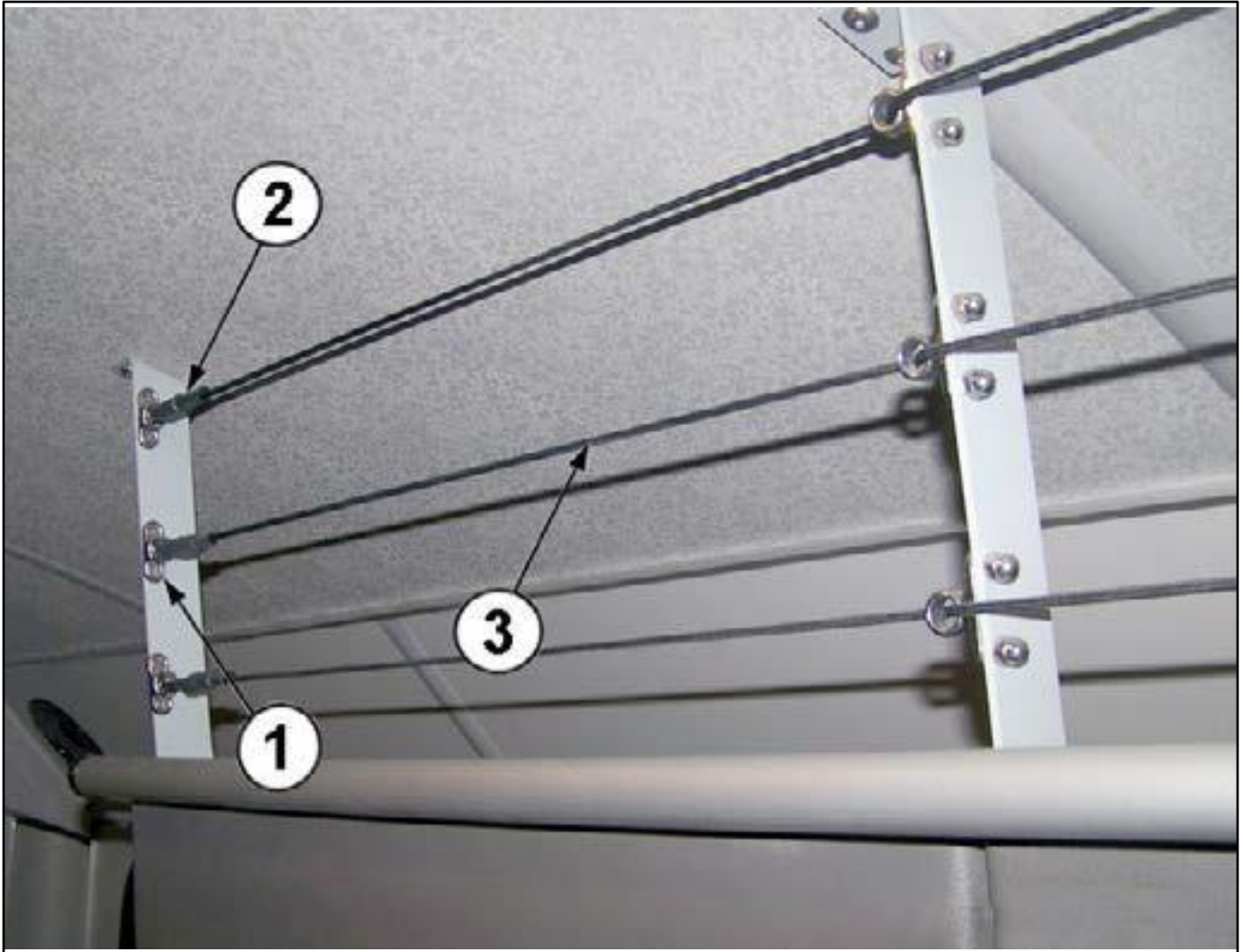
Wheelchair track (additional) 0415927

<i>ITEM PART NO. DESCRIPTION</i>	<i>QTY</i>	<i>ITEM PART NO. DESCRIPTION</i>	<i>QTY</i>
01 0374644 Steel, Flat 11 GA 4"x120"	A/R		
N/S 4570061 Track, Tiedown Alum-L W/O Flange	1		



exterior key switch - kubota
cx0000020092 / 0409122

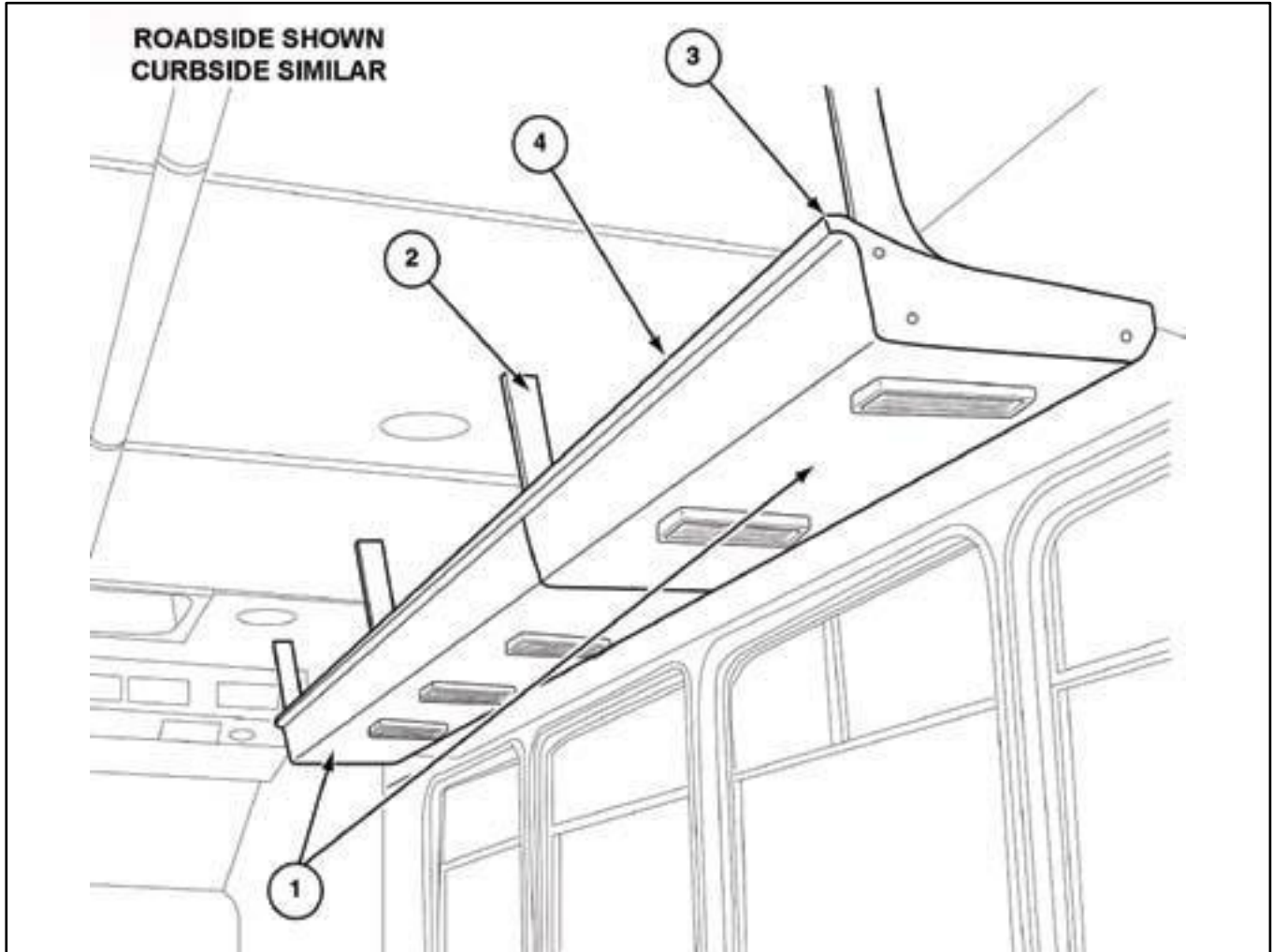
<i>ITEM PART NO. DESCRIPTION</i>	<i>QTY</i>	<i>ITEM PART NO. DESCRIPTION</i>	<i>QTY</i>
01 3972731 Switch, Keyed Entrance Door	1		
NS 3978269 Kubota, O-Ring Key Switch	1		
NS 3978270 Gasket, Kubota Key Switch	1		
NS 3974623 Harness, Key Switch	1		
NS 1015438 Keys, Set Kubota	1		



parcel rack net

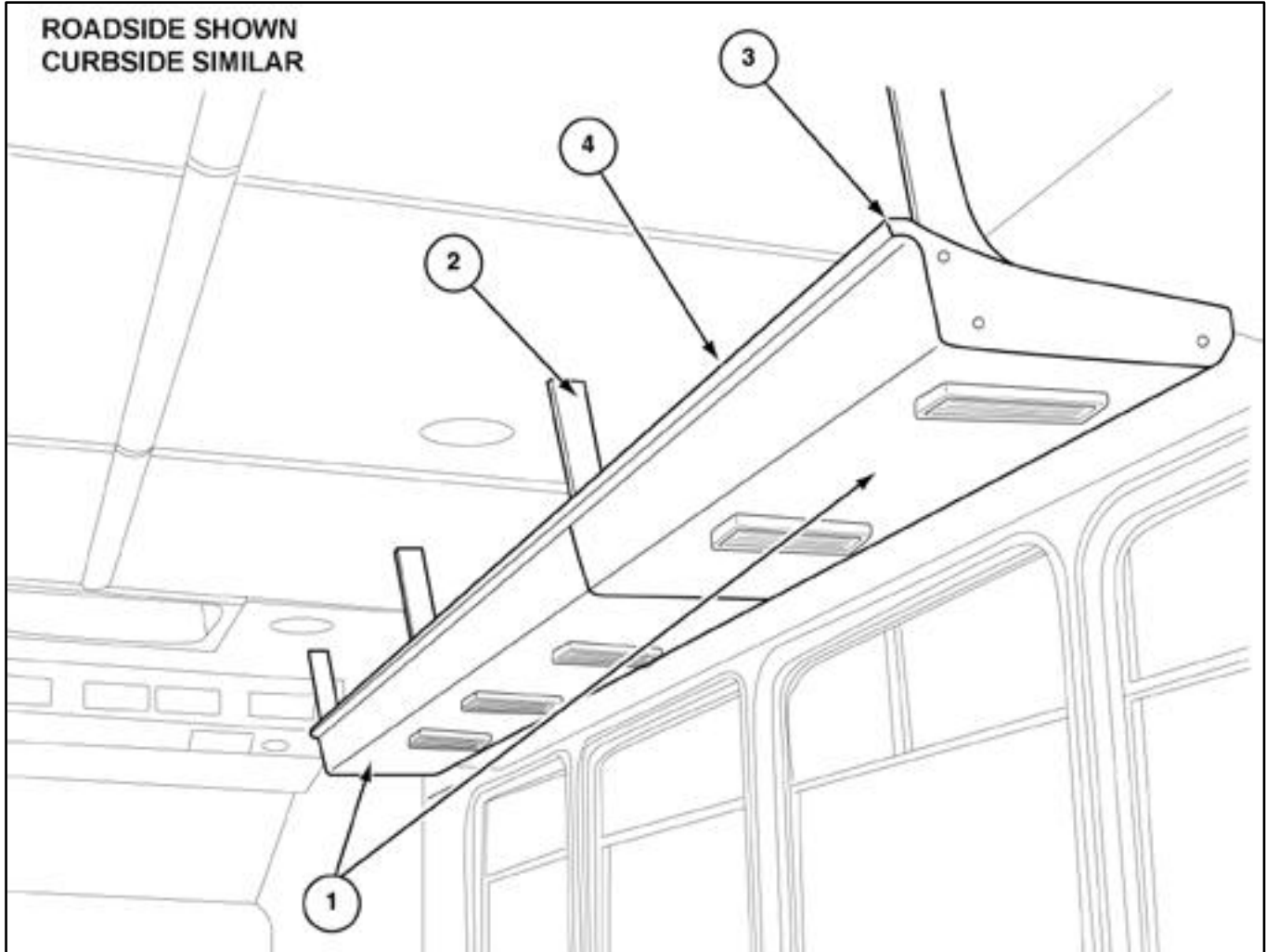
0421621

<i>ITEM PART NO. DESCRIPTION</i>	<i>QTY</i>	<i>ITEM PART NO. DESCRIPTION</i>	<i>QTY</i>
01 4970563 Guide, Pull Chord Stamped	27		
02 4970692 Connector, Oval Sleeve Crimp 3/16 x 1 12			
03 0377658 Chord, 3/16" Dia. Elastic Black Bungee 76			



overhead parcel rack all assemblies (rev-a)

<u>ITEM</u>	<u>PART NO.</u>	<u>DESCRIPTION</u>	<u>QTY</u>	<u>ITEM</u>	<u>PART NO.</u>	<u>DESCRIPTION</u>	<u>QTY</u>
1	3371211	Rack, Parcel Overhead 4' R/S & C/S	AR	NS	0350769	Channel, Str .75x1.5x.75x89.75 16G	AR
	3371210	Rack, Parcel Overhead 3' R/S & C/S	AR	NS	0342428	Steel, Flat 14GA/16GA x 6 x 96.0	AR
	3371209	Rack, Parcel Overhead 2' R/S & C/S	AR	NS	4540142	Angle, Aluminum 1 x 1.5 x x 12'	AR
	3371220	Cap, Overhead Parcel Rack	AR		0403629	Install, Light Double Bullet	AR
2	0376964	Bracket, Parcel Support LH	AR	NS	3971720	Light, Double Aircraft W/Camlocks	AR
2	0376965	Bracket, Parcel Support RH	AR	NS	0412012	Install, Pigtail Double Bullet Light	AR
3	0374485P	Bracket, ABS O/H Lug RH Gray PW	AR		0403157	Install, Light W/Out Switch	AR
3	0346410P	Bracket, ABS O/H Lug RH Gray PW	AR	NS	3943917	Light, Dome Without Switch	AR
4	8970402	Trim, Grip W/Out Bulb 3/8" x 5/8"	AR	NS	3971539	Connector, AMP Mate-N-Lock Plug	AR
NS	1570211	Carpet, Aqua Turf Gray Metallic #585	AR	NS	3971543	Connectpr. AMP Mate-N-Lock Cap	AR
NS	4570096	Extrusion, Luggage Rack 241.0	AR	NS	3971730	Terminal, Pin Tape Mtd AMP	AR
NS	3974526	Harness, Center Lights	AR	NS	3971731	Terminal, Socket Tape Mounted AMPAR	AR
NS	3974666	Harness, Parcel Rack Extension	AR				
NS	0379703	Bracket, Parcel Rack Extension	AR				
NS	4570144	Cap, End "J" .19-1/4" x 16'	AR				
NS	0970024	Lumber, 2 x 6 x 96.0 #2	AR				



OVERHEAD PARCEL RACK (f-550) 0420989 (REV-b)

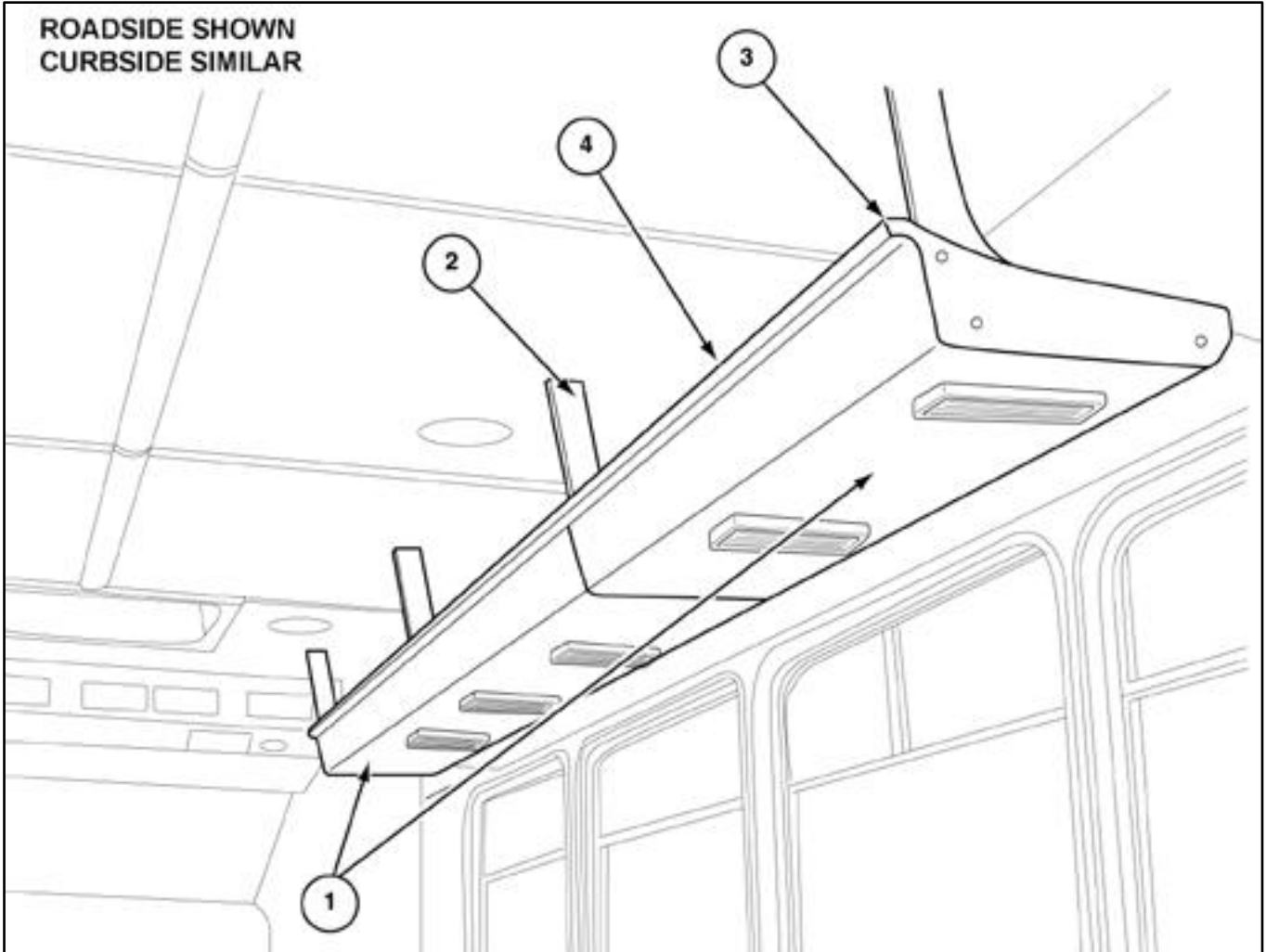
<i>ITEM</i>	<i>PART NO.</i>	<i>DESCRIPTION</i>	<i>QTY</i>	<i>ITEM</i>	<i>PART NO.</i>	<i>DESCRIPTION</i>	<i>QTY</i>
1	3371211	Rack, Overhead Parcel (4' R/S)	3	NS 1570211	Carpet, Aqua Turf Gray Metallic #585	AR	
	3371211	Rack, Overhead Parcel (4' C/S)	2	NS 4570144	End Cap, "J" (19.25 x 16") Gray	AR	
	3371210	Rack, Overhead Parcel (3' C/S)	1	NS 4540142	Angle, Aluminum (1 x 1.5 x 12')	AR	
	3371209	Rack, Overhead Parcel (2' R/S)	1	NS 0403157	Install, Light Without Switch	1	
	3371209	Rack, Overhead Parcel (2' C/S)	1	3943917	Light, Dome W/Out Switch	4	
				NS 3971720	Light, Double Aircraft With Camlocks	12	
2	0374610	Bracket, OH Parcel L/H (GRAY)	AR	NS 4570096	Extrusion, Luggage Rack	2	
	0374485	Bracket, OH Parcel R/H (GRAY)	AR	NS 3371220	Cap, Overhead Parcel Rack	4	
	0374485P	Bracket, ABS OH Lug R/H (Gray)	AR	NS 0342428	Steel, Flat 14GA/16GA x 6 x 96.0	4	
	0374610P	Bracket, ABS OH Lug L/H (Gray)	AR	NS 0350769	Channel, Str .75 x 1.5 x .75 x 89.75	2	
				NS 3974526	Harness, Center Lights	1	
3	0376964	Bracket, Overhead Support (L/H)	AR	NS 3974666	Harness, Parcel Rack Extension	2	
	0376965	Bracket, Overhead Support (R/H)	AR	NS 0379703	Bracket, Parcel Rack Extension		
4	8970402	Trim, Grip (w/out Bulb) 3/8 x 5/8 BLK	AR				



OVERHEAD PARCEL RACK-FLOCKED, F550 ALL ASSEMBLIES

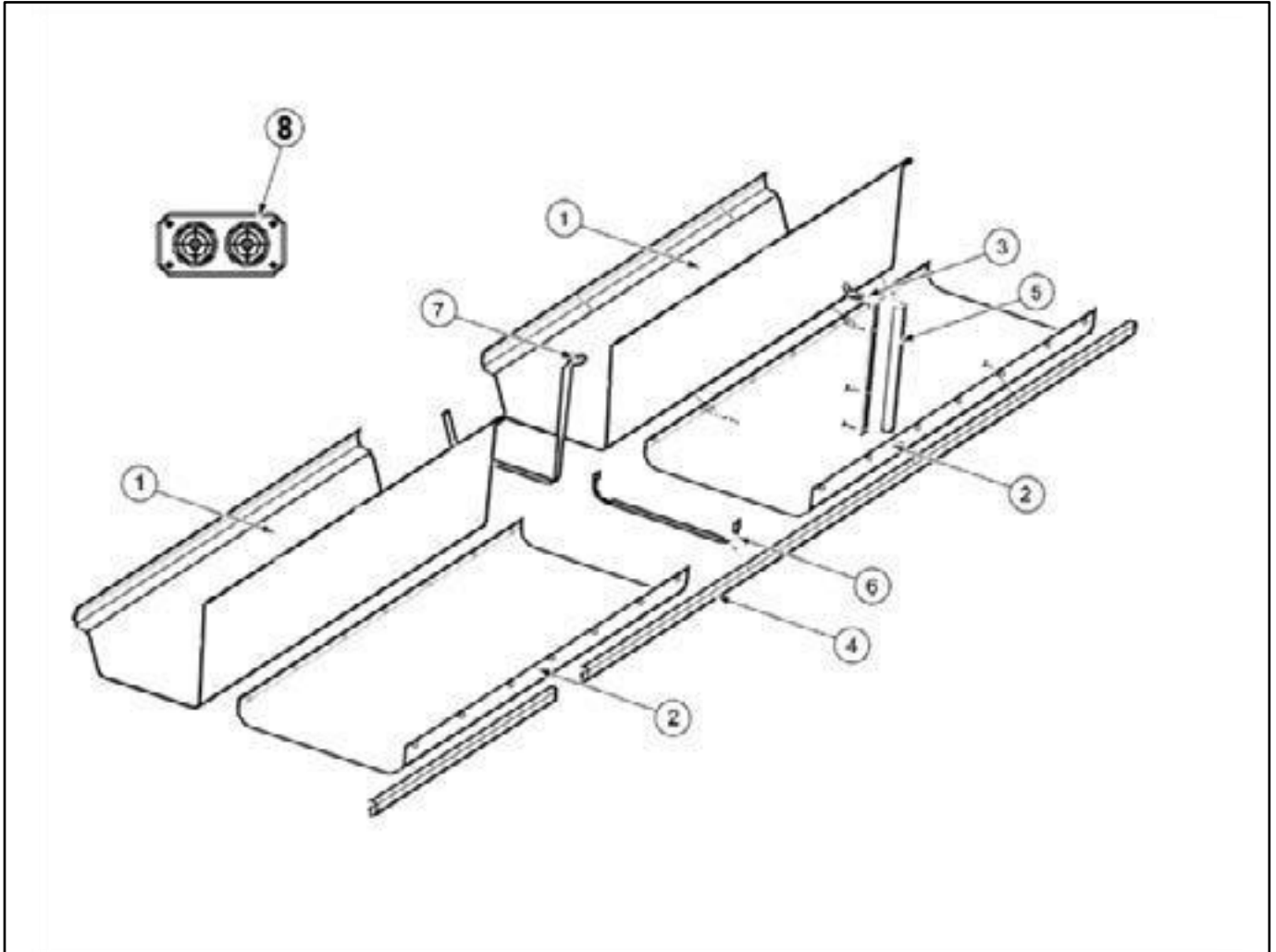
ITEM	PART NO.	DESCRIPTION	QTY	ITEM	PART NO.	DESCRIPTION	QTY
1	0408450A	Install Rack Overhead Lugg Roadside (4') NOTE: Parcel Rack part numbers & flocking same as listed below in the Curbside Assembly		05	0409199	Brackets, Roadside & Curbside	
				04	0374610	Bracket, ABS Overhead Lug L/H	AR
					0374485	Bracket, ABS Overhead Lug R/H	AR
					0376964	Bracket, Parcel Rack Support L/H	AR
					0376965	Bracket, Parcel Rack Support R/H	AR
2	0407764A	Install, Rack Overhead Lugg- Curbside (4')		04	0374485P	Bracket, ABS Overhead Lug Gray PW	AR
	0407765A	Install, Rack Overhead Lugg - Curbside (3')		NS	1570211	Carpet, Aqua Turf Gray Metallic #585	1
	3371211	Rack, Parcel Overhead 4'	3	NS	4570144	Cap, End "J" .19 1/4" x 16"	2
	3371210	Rack, Parcel Overhead 3'	1	NS	8970402	Trim, Grip W/Out Bulb 3/8" x 5/8"	1.5
	3371209	Rack, Parcel Overhead 2'	1	03	4570096	Extrusion, Luggage Rack 241.0	2
	9770074	Rack, Parcel Flocked 4'	1	NS	3972921	Harness, Parcel Rack Lights	1
	9770073	Rack, Parcel Flocked 3'	1	NS	3371220	Cap, Overhead Parcel Rack	4
	9770072	Rack, Parcel Flocked 2'	1	NS	0342428	Steel, Flat 14/16GA x 6 x 96.0	5
NS	0408810	Light Without Switch		NS	0350769	Channel, STR 3/4 x 1.5 x 3/4 x 89 3/4 16 GA	AR
	3943917	Light, Dome Without Switch	5	N/S	0408959	Light, Double Bullet	
	3973881	Switch, Carling, On/Off	1		3971720	Light, Double Aircraft with Camlocks	1
	3970183	Terminal, QKDisc/Fem Non-Ins 16-14	4		3971730	Terminal, Pin Tape Mounted	2
	3947066	Connector, RT 10-4848	1				

ROADSIDE SHOWN
CURBSIDE SIMILAR



OVERHEAD PARCEL RACK (f-550) 0419993

<i>ITEM PART NO. DESCRIPTION</i>	<i>QTY</i>	<i>ITEM PART NO. DESCRIPTION</i>	<i>QTY</i>
1 3371211 Rack, Overhead Parcel (4' R/S)	4		
3371211 Rack, Overhead Parcel (4' C/S)	3		
3371210 Rack, Overhead Parcel (3' C/S)	1	NS 1570211 Carpet, Aqua Turf Gray Metallic #585	AR
3371209 Rack, Overhead Parcel (2' R/S)	1	NS 4570144 End Cap, "J" (19.25 x 16') Gray	AR
3371209 Rack, Overhead Parcel (2' C/S)	1	NS 4540142 Angle, Aluminum (1 x 1.5 x 12')	AR
		NS 0408810 Install, Light Without Switch	5
2 0374610 Bracket, OH Parcel L/H (GRAY)	AR	NS 3971720 Light, Double Aircraft With Camlocks	12
0374485 Bracket, OH Parcel R/H (GRAY)	AR	NS 4570096 Extrusion, Luggage Rack	2
0374485P Bracket, ABS OH Lug R/H (Gray)	AR	NS 3371220 Cap, Overhead Parcel Rack	4
		NS 0342428 Steel, Flat 14GA/16GA x 6 x 96.0	4
3 0376964 Bracket, Overhead Support (L/H)	AR	NS 0350769 Channel, Str .75 x 1.5 x .75 x 89.75	2
0376965 Bracket, Overhead Support (R/H)	AR	NS 3974526 Harness, Center Lights	1
		NS 3974666 Harness, Parcel Rack Extension	2
4 8970402 Trim, Grip (w/out Bulb) 3/8 x 5/8 BLK	AR		



pretoria parcel rack, 94" Wide 0422670

<i>ITEM PART NO. DESCRIPTION</i>	<i>QTY</i>	<i>ITEM PART NO. DESCRIPTION</i>	<i>QTY</i>
01 3371626 Duct, A/C 4'	10	NS 0377658 Chord, 3/16" Dia. Elastic Black Bungie 36	9
02 3371614 Rack, Parcel 4'	14	NS 7371670 Fabric, Paragon W/PSA Pewter CMI	50
3 3371615 Bracket, Hanger Parcel Rack	10	NS 8971562 Fastener, 3/16 x .040-.354 Klamptite	4.5
4 3371616 Extrusion, Rail 14'	3	NS 4540142 Angle, Aluminum (1 x 1.5 x 9')	8
5 3371620 Cover, Hanger Bracket	11	NS 0342580 Steel, Flat (11GA x 3 x 10')	
6 3371621 Trim, ABS OPR	7		
7 3371629 Trim, ABS Duct	8		
8 3973761 Light, Double W/Switches	14		
NS 3974526 Harness, Center Lights	3		
NS 3974666 Harness, Parcel Rack Extension	2		
NS 1570306 Carpet, Cargo Liner Charcoal 72"	4.5		
NS 3371627 Endcap, LH Rack/Duct	2		
NS 3371628 Endcap, RH Rack/Duct	2		



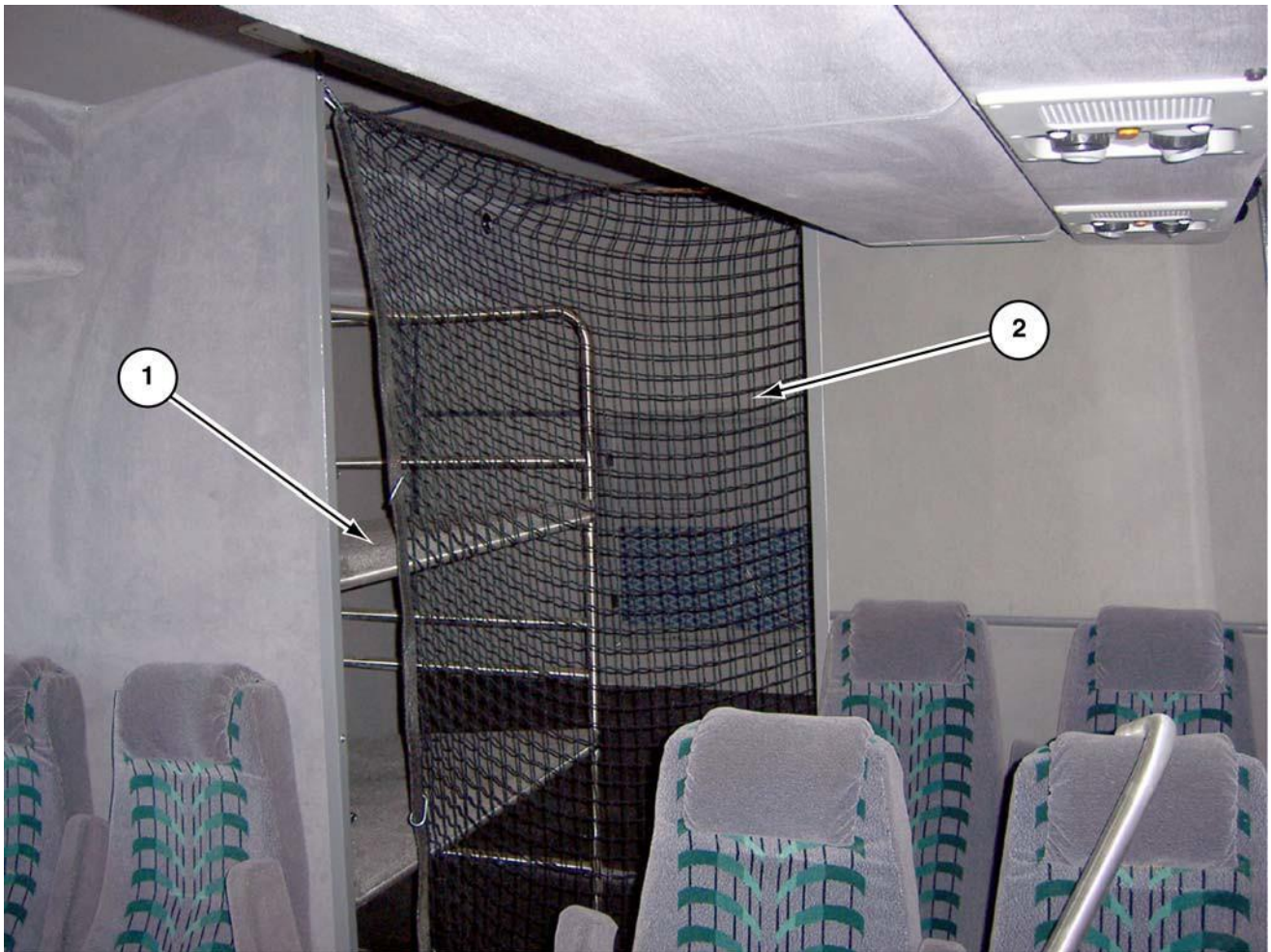
luggage shelving 0404766

<i>ITEM PART NO. DESCRIPTION</i>	<i>QTY</i>	<i>ITEM PART NO. DESCRIPTION</i>	<i>QTY</i>
01 1570306 Carpet, Cargo Liner Charcoal 72"	3		
NS 0947614 Lumber, 1 x 6 x 96.0 #2	A/R		
NS 0970044 Plywood, 5/8 x 4 x 8	A/R		
NS 4570138 Angle, Aluminum .093 x 1 x 1 x 144	1		
NS 8570931 Screw, 8x1 Pan Quad	24		
NS 4540142 Angle, Aluminum 1 x 1.5 x 12'	A/R		

NO PHOTOS AVAILABLE AT THIS TIME

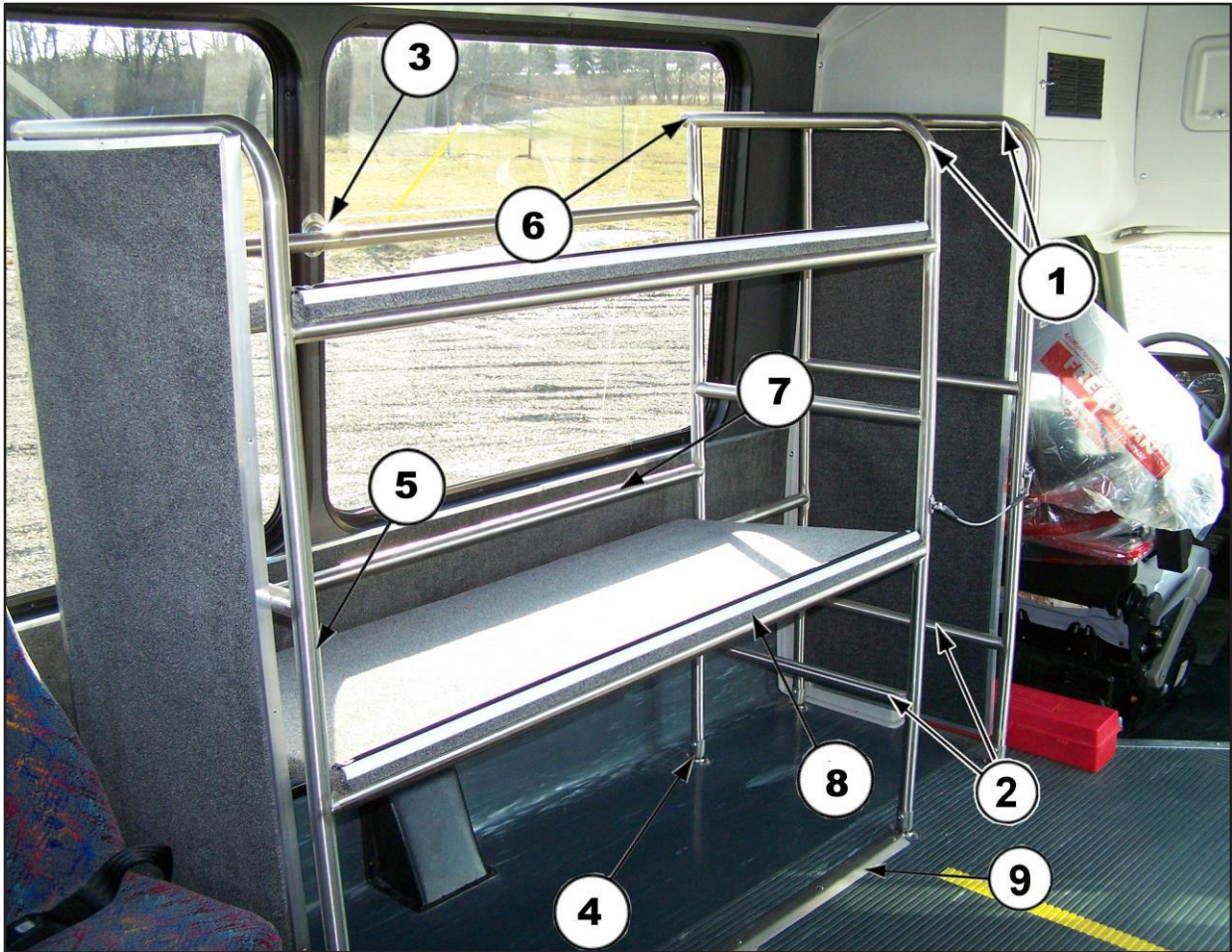
**RUBBER COVERED LUGGAGE SHELVES
CX0000085338**

<i>ITEM PART NO. DESCRIPTION</i>	<i>QTY</i>	<i>ITEM PART NO. DESCRIPTION</i>	<i>QTY</i>
01 1570297 Rubber, Gray 34.25 x 288" Smooth	AR		



INSTALL LUGGAGE RACK & CARGO NET
CX-000-900-2976 - CX-000-900-0015

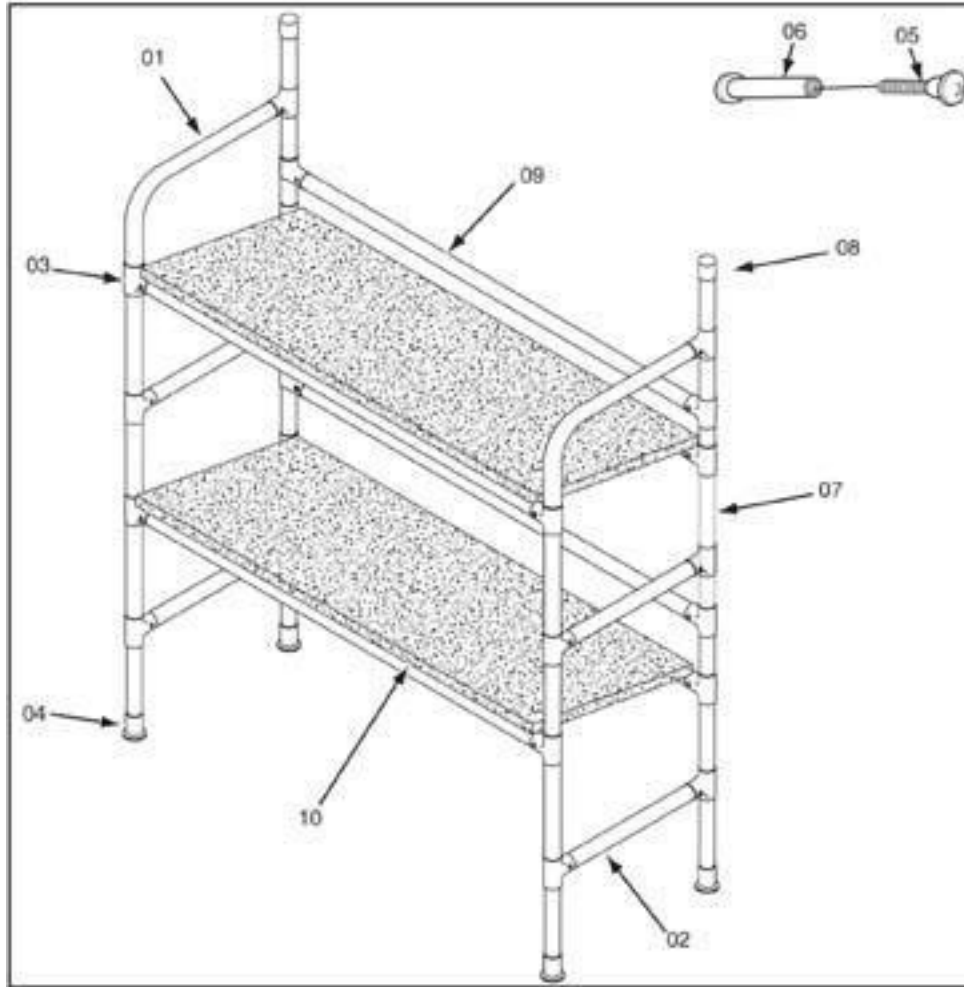
<i>ITEM PART NO. DESCRIPTION</i>	<i>QTY</i>	<i>ITEM PART NO. DESCRIPTION</i>	<i>QTY</i>
01 0404515 LUGGAGE RACK (30" x 24" x 58")	1		
02 0407234 CARGO NET ASSEMBLY	1		



LUGGAGE RACK 60" X 24" X 58"

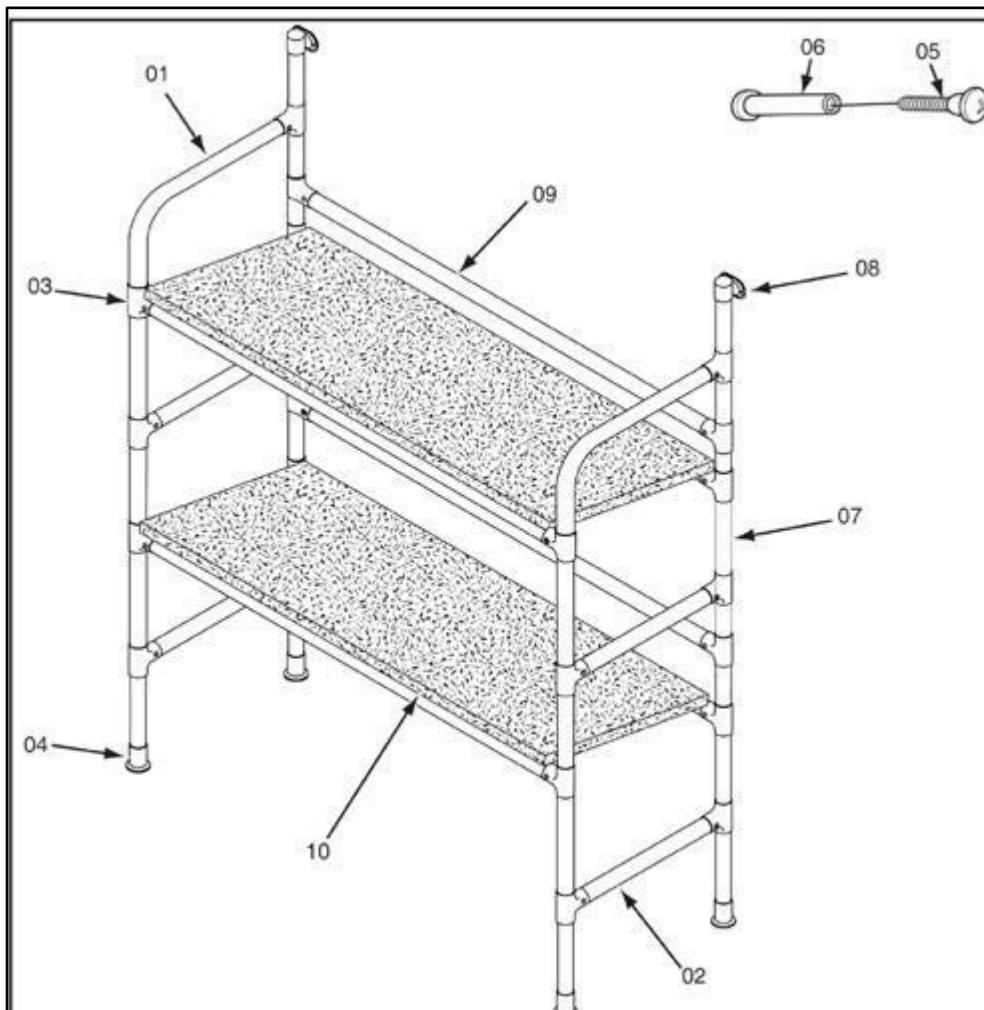
0418453, 0408595, 0418472

<i>ITEM PART NO. DESCRIPTION</i>	<i>QTY</i>	<i>ITEM PART NO. DESCRIPTION</i>	<i>QTY</i>
0408595 End, Luggage Rack 24" Assembly		0418472 Luggage Rack Assembly	
01 0375842 Tube, .065 x 1.25 x 12' S/S 180Grid	1.3	08 0970048 Plywood, 5/8 x 4 x 8 CC PTS Untr.	AR
02 0346494 Tube, .065 x 1.25 x 17' S/S 180Grid	.3	8 1570211 Carpet, Aqua Turf Gray Metallic #585	AR
3 0348235 Fitting, Bottom Oval 90 Degree	1	08 0346494 Tube, .18GA x 1.25 x 17' S/S 180Gr	4
4 0343695 Fitting, S/S Bottom	2	9 0377434 Retainer, Floor 60" Lugg. Rack	1
05 0375842 Tube, .065 x 1.25 x 12' S/S 180Grid	1	NS 0970048 Plywood, 5/8 x 4 x 8 CDX-PTS Untr	AR
06 0348235 Fitting, S/S Bottom Oval 90°	1	04 0343695 Fitting, S/S Bottom #49011	2
07 0346494 Tube, .065 x 1.25 x 17' S/S 180Grid	1.3	NS 8570706 Screw, 10 x 1½ Pan Quad Zinc	12
NS 0377868 Bolt, Stanchion 2422 Male	5	NS 8570935 Screw, 8 x 1 FlatQDX T2 Clear EMP	10
NS 0377869 Nut, Stanchion 2423 Female	5	NS 8570788 Screw, 8 x 3/4 Square S/S Self Drill	2
NS 3371684 Cap, End 1.25" Tube Black	2	NS 4540142 Angle, Aluminum 1 x 1.5 x 12'	1



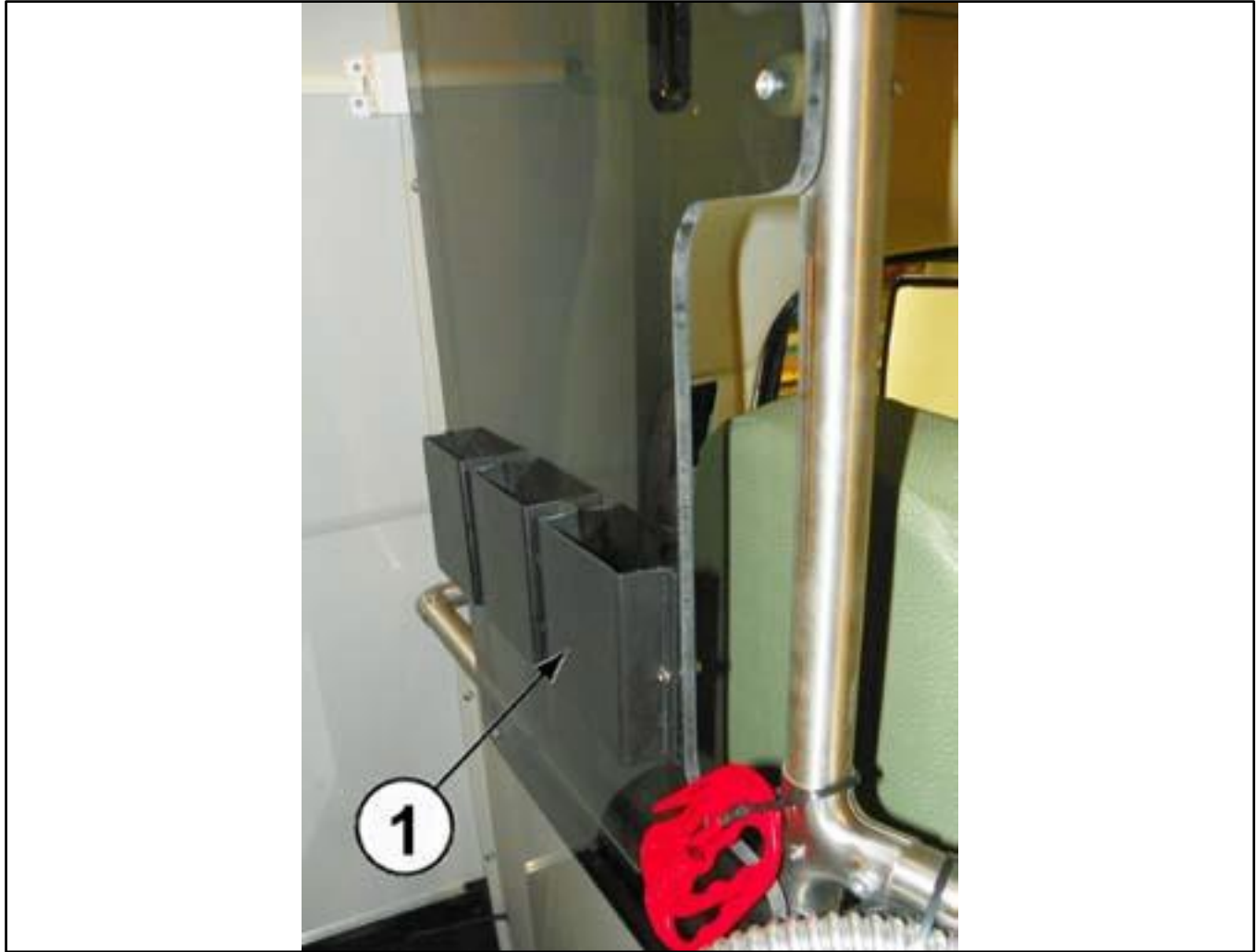
LUGGAGE RACK 92" X 24" X 58"
CX-000-900-0070, 0402119, 0402055

<i>ITEM PART NO. DESCRIPTION</i>	<i>QTY</i>	<i>ITEM PART NO. DESCRIPTION</i>	<i>QTY</i>
0402055 End, Luggage Rack Assembly			
01 0346494 Tube, .065 x 1.25 x 236" S/S 180Grid	.3	NS 0374008 Support, Grab Rail 4.03 S/S	2
02 0346494 Tube, .065 x 1.25 x 12' S/S 180Grid	2	10 0970009 Plywood, 5/8 x 48 x 96 Sturdi-Floor	AR
03 0346379 Fitting, S/S Tee #50100	2	10 0970048 Plywood, 5/8 x 48 CDX-PTS Untreat.	AR
4 0343695 Fitting, S/S Bottom	4	10 1570211 Carpet, Aqua Turf Gray Metallic #585	AR
5 0377868 Bolt, Stanchion Locking 2422 Male	6	10 4570063 Rail, Rub 16' Loxite White	AR
6 0377869 Nut, Stanchion Locking 2423 Female	6		
07 0346494 Tube, .065 x 1.25 x 12' S/S 180Grid	2		
08 3371684 Cap, End 1.25" Tube Black	2		
09 0346494 Tube, .065 x 1.25 x 236" S/S 180GR	4		
NS 0346395 Fitting, S/S Ceiling Mount	2		



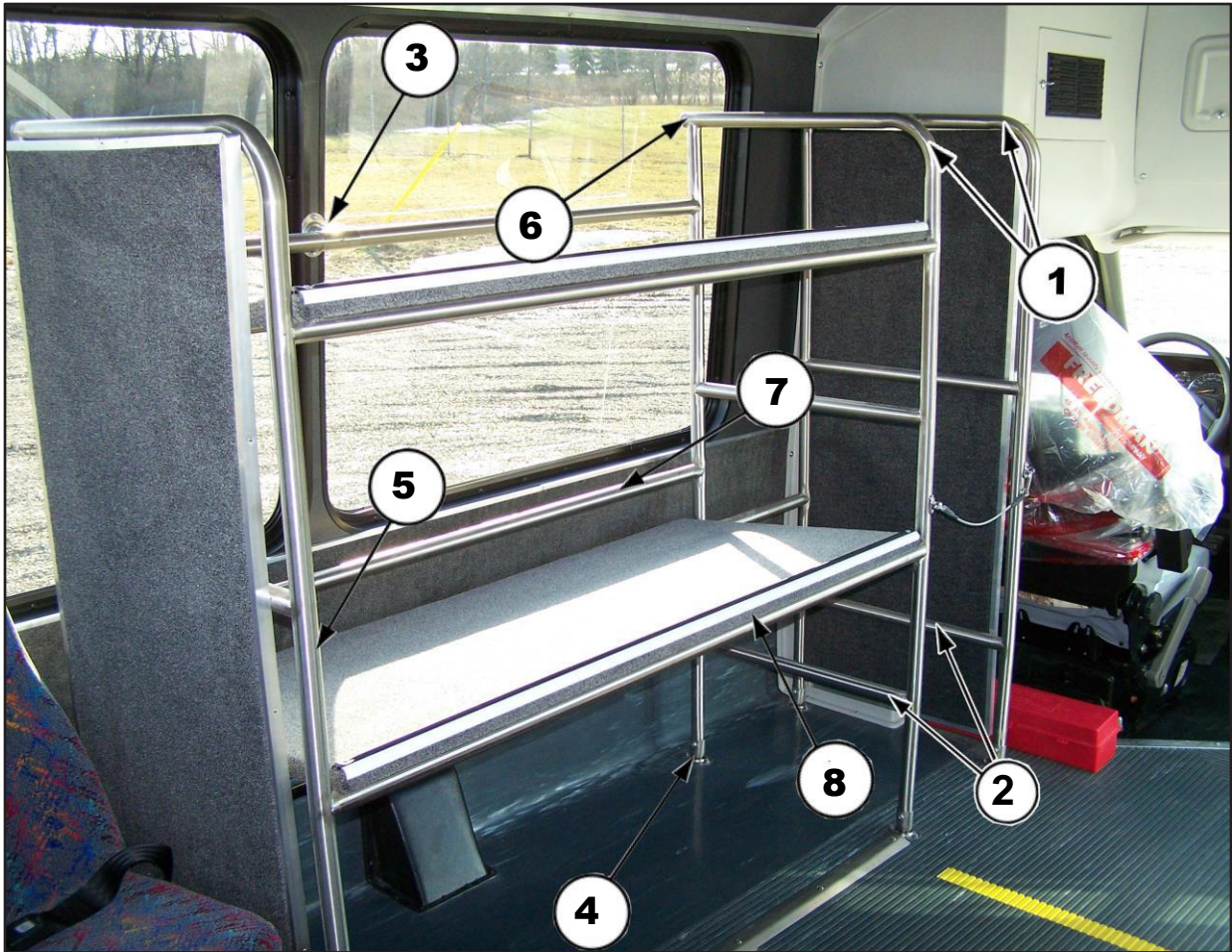
LUGGAGE RACK 42" X 24" X 58"
CX-000-900-4044, 0402055

<i>ITEM PART NO. DESCRIPTION</i>	<i>QTY</i>	<i>ITEM PART NO. DESCRIPTION</i>	<i>QTY</i>
0402055 End, Luggage Rack Assembly		CX-000-900-4044 Luggage Rack Assembly	
01 0346494 Tube, .065 x 1.25 x 17' S/S Clad	AR	10 0970009 Plywood, 5/8 x 48 x 96 Sturdi-Floor	AR
02 0346494 Tube, .065 x 1.25 x 17' S/S Clad	AR	10 1570211 Carpet, Aqua Turf Gray Metallic #585AR	AR
03 0346379 Fitting, S/S Tee #50100	4	10 3349636 Insert, Black Rub Rail (500' Roll)	AR
4 0343695 Fitting, S/S Bottom	4	10 4570063 Rail, Rub 16' Loxite White	AR
5 0377868 Bolt, Stanchion Locking 2422 Male	6	N	
6 0377869 Nut, Stanchion Locking 2423 Female	6		
07 0375842 Tube, .065 x 1.25 x 12' S/S 180Grid	1		
08 0346395 Fitting, S/S Ceiling Mount	1		
09 0346494 Tube, .065 x 1.25 x 17' S/S Clad	AR		
NS 3371684 Cap, End 1.25" Tube Black	2		



**literature rack, 3 compartments
0414349**

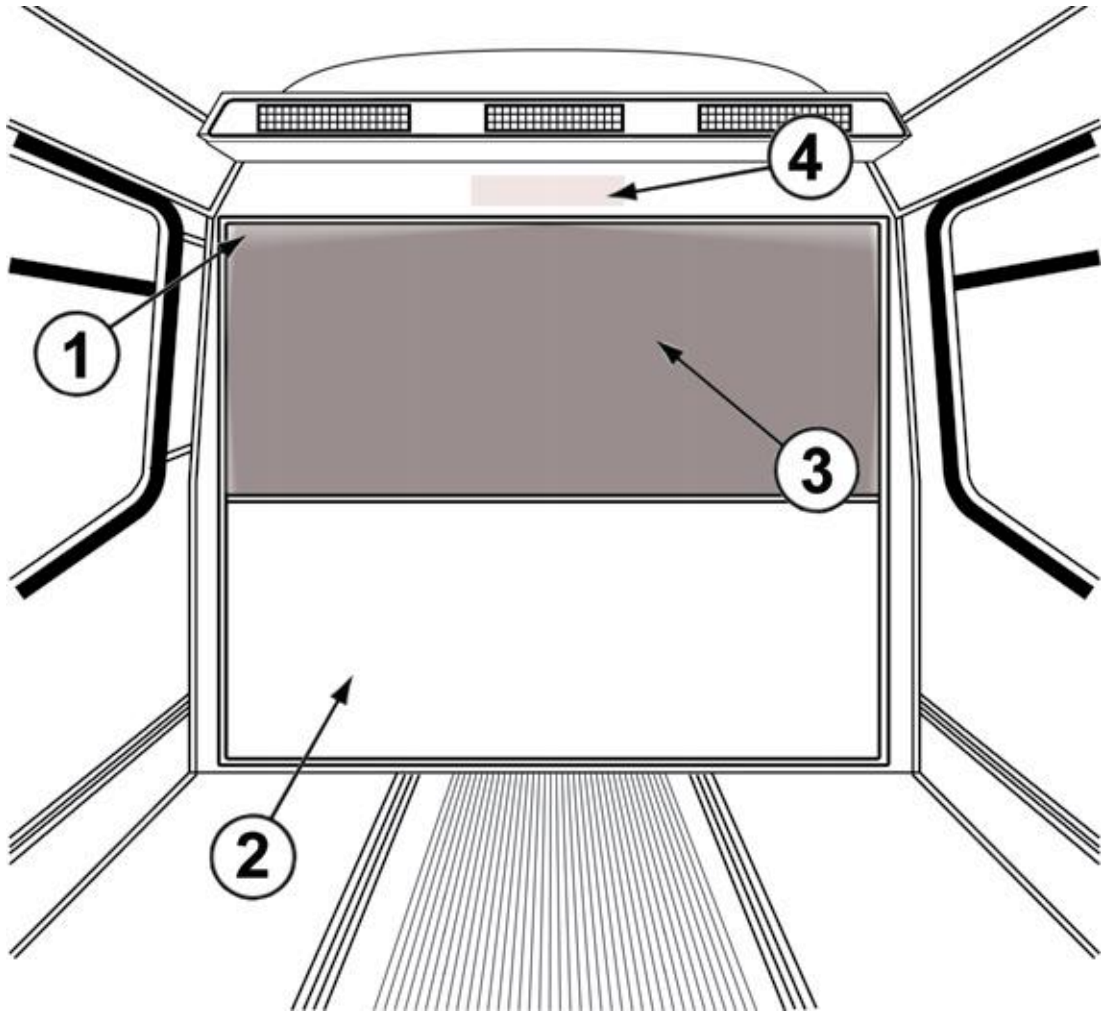
<i>ITEM</i>	<i>PART NO.</i>	<i>DESCRIPTION</i>	<i>QTY</i>	<i>ITEM</i>	<i>PART NO.</i>	<i>DESCRIPTION</i>	<i>QTY</i>
01	4970667	Literature, Rack Take One 3-Comp.	1				



LUGGAGE RACK 60" X 26" X 58"

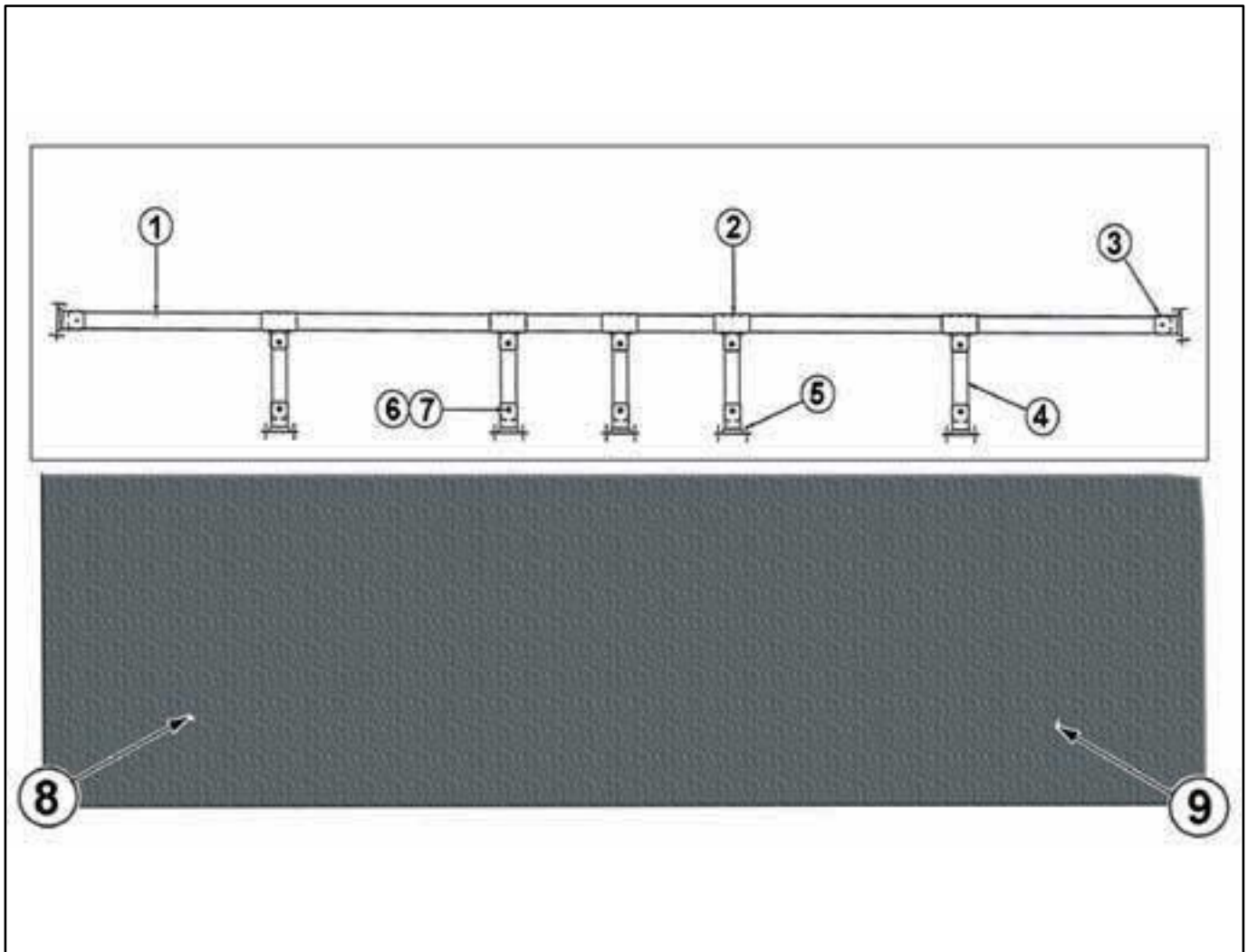
CX-000-900-4045, 0404518, 0402055

<u>ITEM PART NO. DESCRIPTION</u>	<u>QTY</u>	<u>ITEM PART NO. DESCRIPTION</u>	<u>QTY</u>
0402055 End, Luggage Rack Assembly		0404515 Luggage Rack Assembly	
01 0375842 Tube, .065 x 1.25 x 12' S/S 180Grid	1	08 0970009 Plywood, 5/8 x 48 x 96 Sturdi-Floor	AR
02 0346494 Tube, .065 x 1.25 x 17' S/S 180Grid	.3	08 1570211 Carpet, Aqua Turf Gray Metallic #585AR	AR
03 0346379 Fitting, S/S Tee #50100	10	08 4570063 Rail, Rub 16' Loxite White	AR
04 0343695 Fitting, S/S Bottom	2	08 0346494 Tube, .065 x 1.25 x 17' S/S 180Grid	1.5
05 0375842 Tube, .065 x 1.25 x 12' S/S 180Grid	1	NS 0970048 Plywood, 5/8 x 4 x 8 CDX-PTS Untr	AR
06 0348235 Fitting, S/S Bottom Oval 90°	1	04 0343695 Fitting, S/S Bottom #49011	2
07 0346494 Tube, .065 x 1.25 x 17' S/S 180Grid	.3	03 0346379 Fitting, S/S Tee #1495	2
NS 0346478 Bolt, Stanchion 1422 Male	12	NS 8570706 Screw, 10 x 1½ Pan Quad Zinc	12
NS 0346460 Nut, Stanchion 1423 Female	12	NS 8570935 Screw, 8 x 1 Flat QDX T2 Clear EMP	10
		NS 8570788 Screw, 8 x 3/4 Square S/S Self Drill	2



Moveable luggage Wall With auto Cloth CX-000-900-3105a, 0404555, 0413343

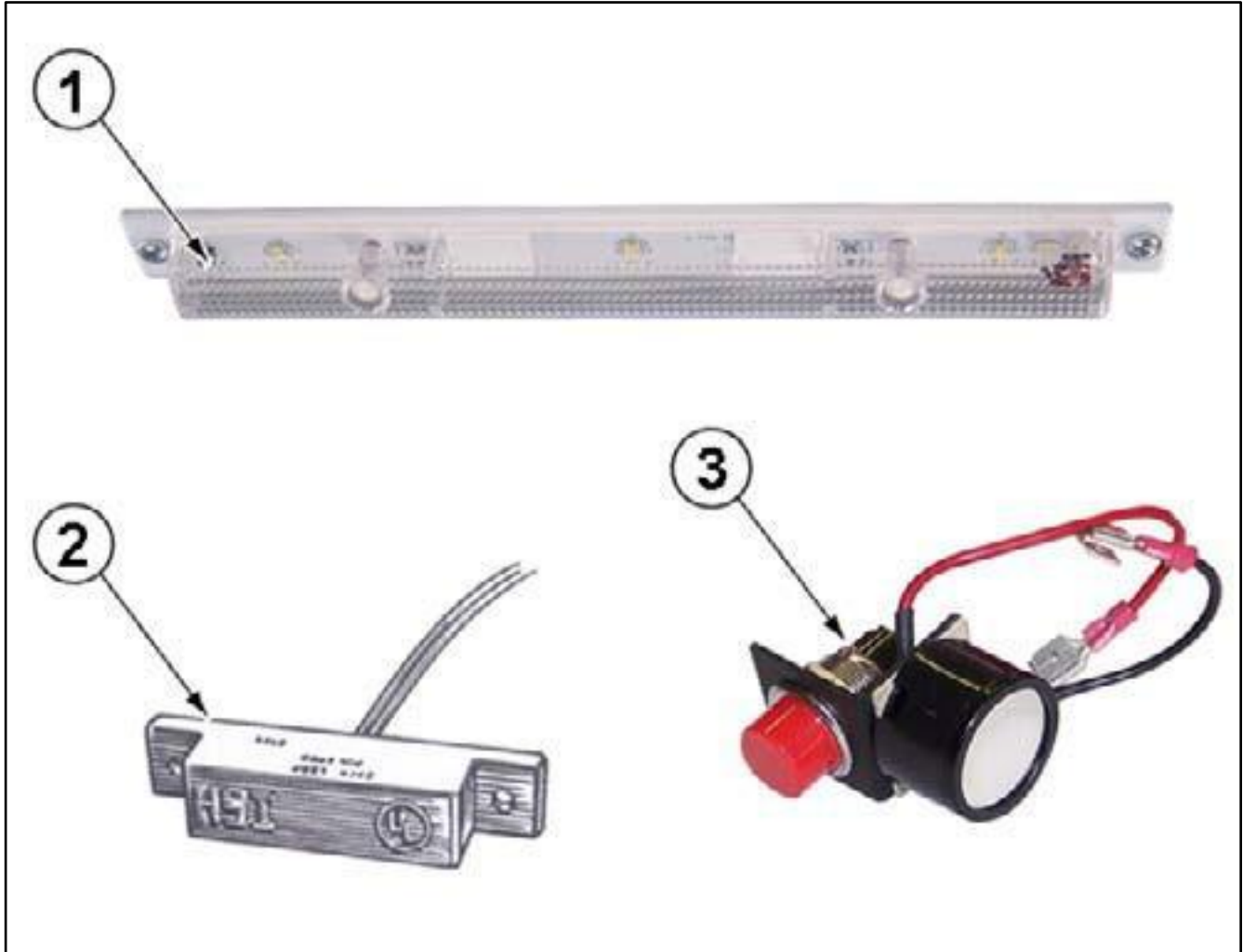
<i>ITEM PART NO. DESCRIPTION</i>	<i>QTY</i>	<i>ITEM PART NO. DESCRIPTION</i>	<i>QTY</i>
CX-000-900-3105A		0404555	
0413343 Install, Movable Luggage Wall	1	NS 0377052 Channel, Seat Track 10'	2
0404555 Install, Track Movable Lugg Wall	1	NS 3371138 Cover, Channel Seat	2
NS 3974501 Door Ajar Light	1	NS 0374644 Steel, Flat 11GA x 4 x 10'	2
NS 3973085 Light, Buzz, No Engraving	1	NS 3370046 Insert, Clear Seat Track	2
0413343			
01 0341131 Luggage Wall, Movable Top, 2000	1		
02 0341131 Luggage Wall, Movable Bottom, 2000	1		
NS 0342428 Steel, Flat 14GA/16GA x 6 x 96.0	AR		
03 0970067 Panel, Silvermist 48" x 96" Autocloth	4		
04 8970527 Label, Removable Luggage Wall	1		



half luggage wall & retention bar

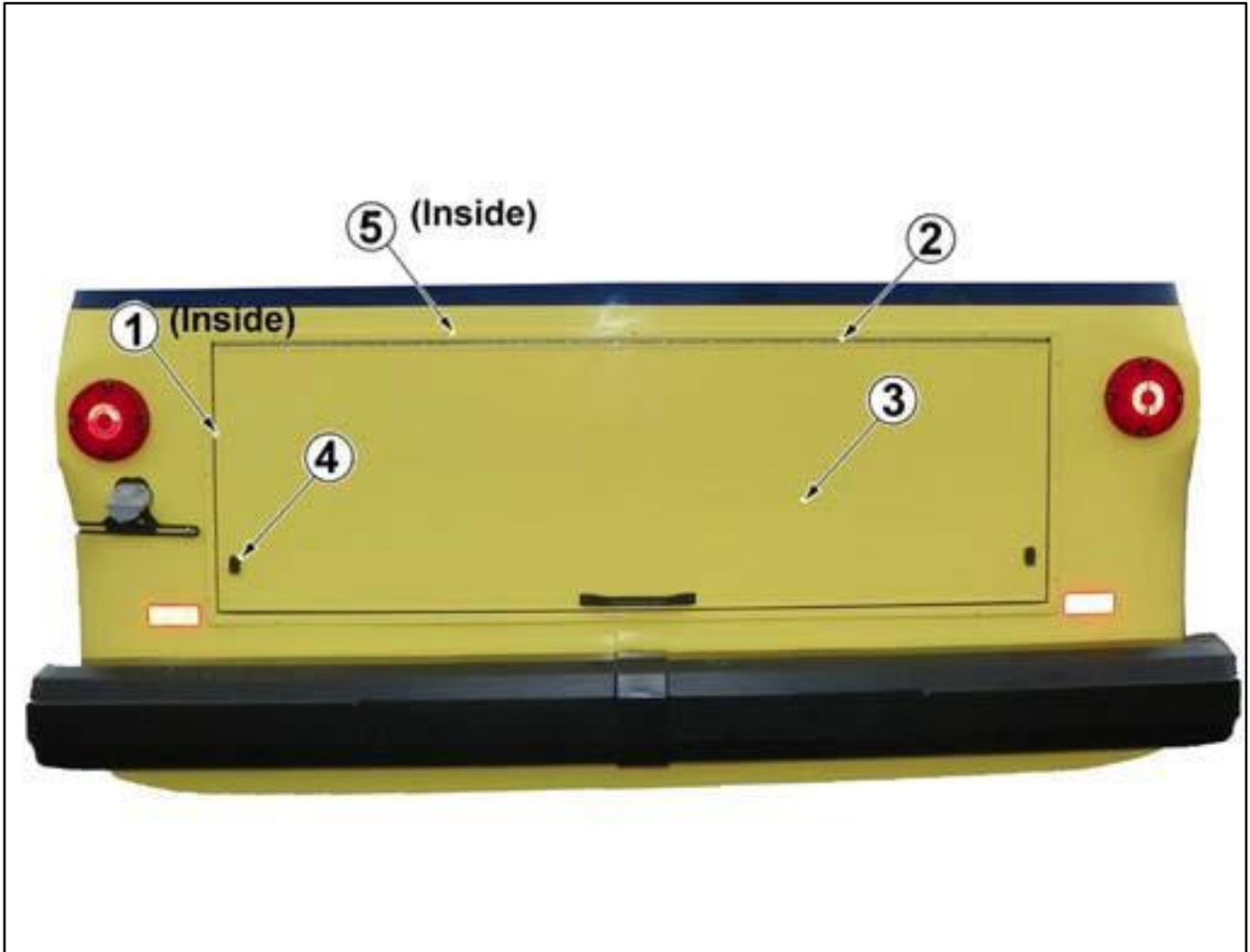
0418812 / 0417174 / 0418808

ITEM	PART NO.	DESCRIPTION	QTY	ITEM	PART NO.	DESCRIPTION	QTY
0418808 Stanchion, Retension Bar EZT B/B				0417174 Wall, Luggage 1/2 Wood Frame			
01	0346494	Tube, .18GA x 1¼ x 236" S/S 180GR	1	08	0947614	Lumber, 1 x 6 x 96.0 #2	4.5
2	0346379	Fitting, S/S Tee #50100 One Hole	5		0970003	Plywood, 3/8 x 48 x 96 B W CP 4-Ply	2.5
3	0377112	Fitting, S/S Base 5-Degree	2	09	1570211	Carpet, Aqua Turf Gray Metallic #585	21
04	0346494	Tube, .18GA x 1¼ x 236" S/S 180GR	1				
05	0343695	Fitting, S/S Bottom #49011	5				
6	0377868	Bolt, Stanchion Locking 2422 Male	12				
7	0377869	Bolt, Stanchion Locking 2423 Female	12				
NS	0379671	Fitting, Custom Hardware Female	2				



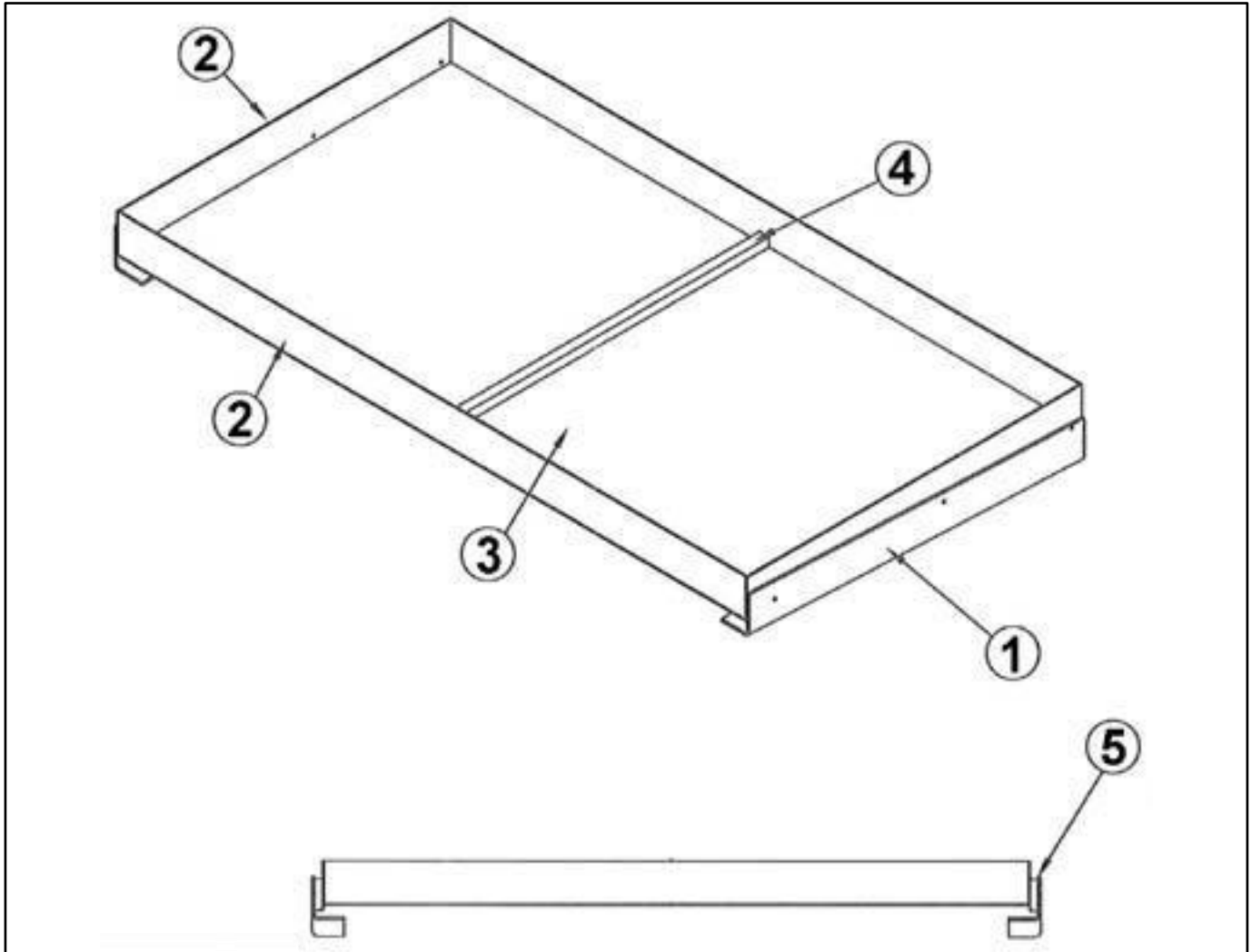
door ajar light & strip light
0418812 / 0418256

<i>ITEM</i>	<i>PART NO.</i>	<i>DESCRIPTION</i>	<i>QTY</i>	<i>ITEM</i>	<i>PART NO.</i>	<i>DESCRIPTION</i>	<i>QTY</i>
1	3974361	Light, LED Strip 12"	4				
2	3973049	Switch, Magnetic Hermetic	1				
NS	3973050	Actuator, Magnetic	1				
3	3973085	Light, Buzz No Engraving	1				



rear cargo door, bustle back
0418812 / 0417172 / 0417171

<i>ITEM PART NO. DESCRIPTION</i>	<i>QTY</i>	<i>ITEM PART NO. DESCRIPTION</i>	<i>QTY</i>
0417172 Tray, Rear Cargo Door Bustle Back		0417717 Jamb, Rear Cargo EZ-Trans Bustle B	
01 4570133 Tube, .125 x 1" x 2" x 8' Aluminum Rd	.5	NS 4570105 Z, .75 x 1 x 2 x 120.0 Aluminum	2
2 4970662 Hinge, S/S 2" x 72" Staggered Holes	1		
3 0970105 Panel, Gelcoat 48" x 96" 1.7mm Thick	.5		
4 4970574 Latch, Vise Action Tubular Key	2		
05 4570132 Tube, .125" x 1" x 1" x 8' Aluminum R	1.5		
NS 3351566 Seal, Trim Lok Large Bulb	16		
NS 1570283 U-Channel, Figid 1-1/8" x 8' Dull White	2		
NS 4970545 Strut, Gas 60# - 14.0"	2		
NS 4970067 Bracket, Strut 90 Degree "Z" Style	4		
NS 0970116 Filon, 48" x 96" .035 Smooth White	.5		



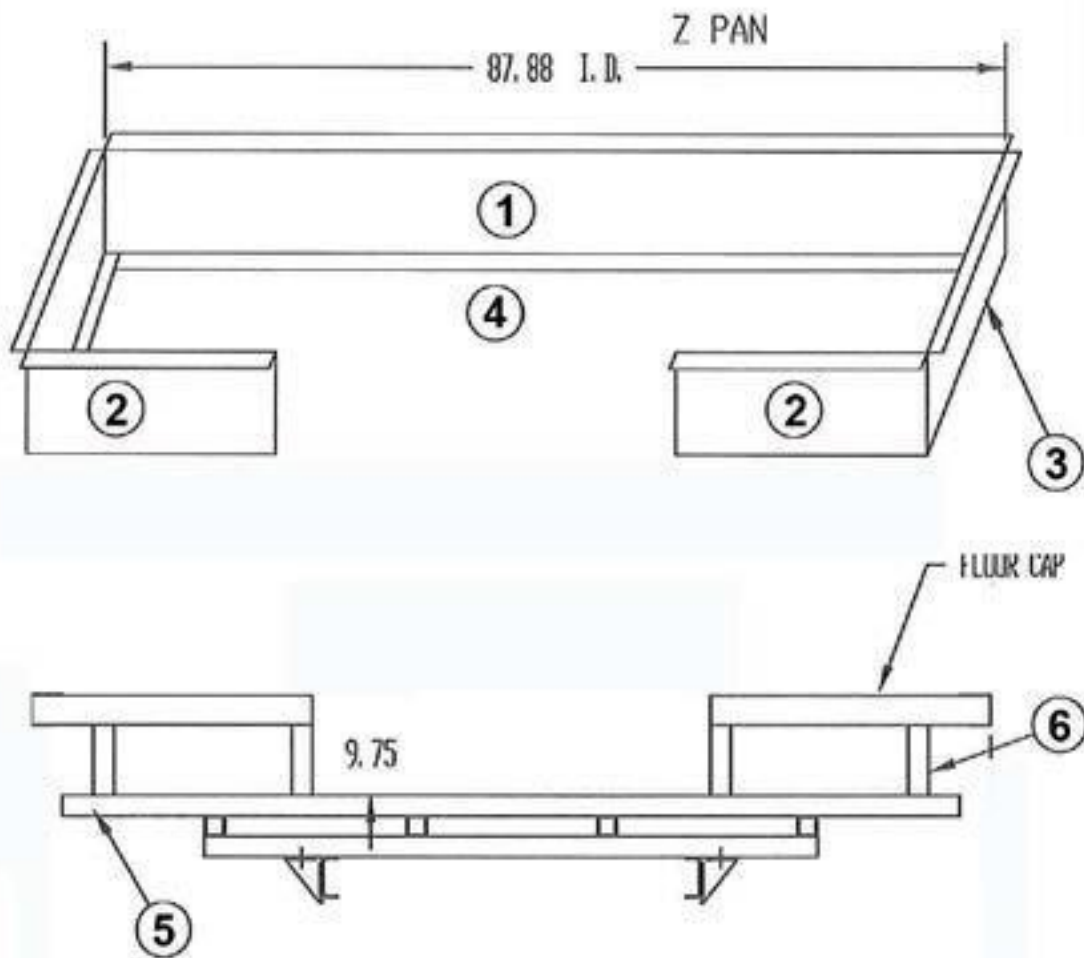
rear compartment cargo tray
0418812 / 0418809

<i>ITEM</i>	<i>PART NO.</i>	<i>DESCRIPTION</i>	<i>QTY</i>	<i>ITEM</i>	<i>PART NO.</i>	<i>DESCRIPTION</i>	<i>QTY</i>
0418809 Tray, Rear Cargo Compartment B/B							
01	0377582	Angle, 1/4 x 3.0 x 4.0 x 20'	.5				
02	0374644	Steel, Flat 11GA 4" x 120"	2				
03	0377198	Steel, Flat 11GA HRS 4" x 8"	1				
04	0370718	Tube, 14GA 1 x 1 x 24'	.5				
05	4970707	Slide, Side 3" x 36"	2				



INTERIOR LUGGAGE COMPARTMENT 0406843 / 0403625

<i>ITEM PART NO. DESCRIPTION</i>	<i>QTY</i>	<i>ITEM PART NO. DESCRIPTION</i>	<i>QTY</i>
0403625 Interior Luggage Compartment		0402856 Install, Door Ajar Buzzer	
1 1570306 Carpet, Cargo Liner Charcoal 72"	20	03 3971963 Switch, Jamb DPST Norm Closed	1
2 8570931 Screw, 8 x 1 Pan Quad Tek Dlr	35	8570739 Screw, 8 x 3/4 Pan Quad Black	2
NS 0342428 Steel, Flat 14GA/16GA x 6 x 96.0	1	3944485 Terminal, F Ins Fem QK-Disc 16-14	2
NS 0970014 Lauan, Raw 3.6 x 48 x 96.0	6	8570931 Screw, 8 x 1 Pan Quad Tek Dlr Emp	2
NS 3971432 Light, Single 4 x 4 PRD/EYM	1	3371674 Cover, Lift Door Switch Gray	1
		NS 3974480 Light, Indicator Red	1
0413143 Install, Decal Limit of Cargo Weight			
NS 8970608 Vinyl, 15" x 150' White	AR		
NS 8970641 Vinyl, Fire Red 15" x 150'	AR		
NS 4342879 Steel, Coil .021 x 36.0 Painted	AR		



DROP LUGGAGE ASSY chALLENGER 0416559 (REV-A)

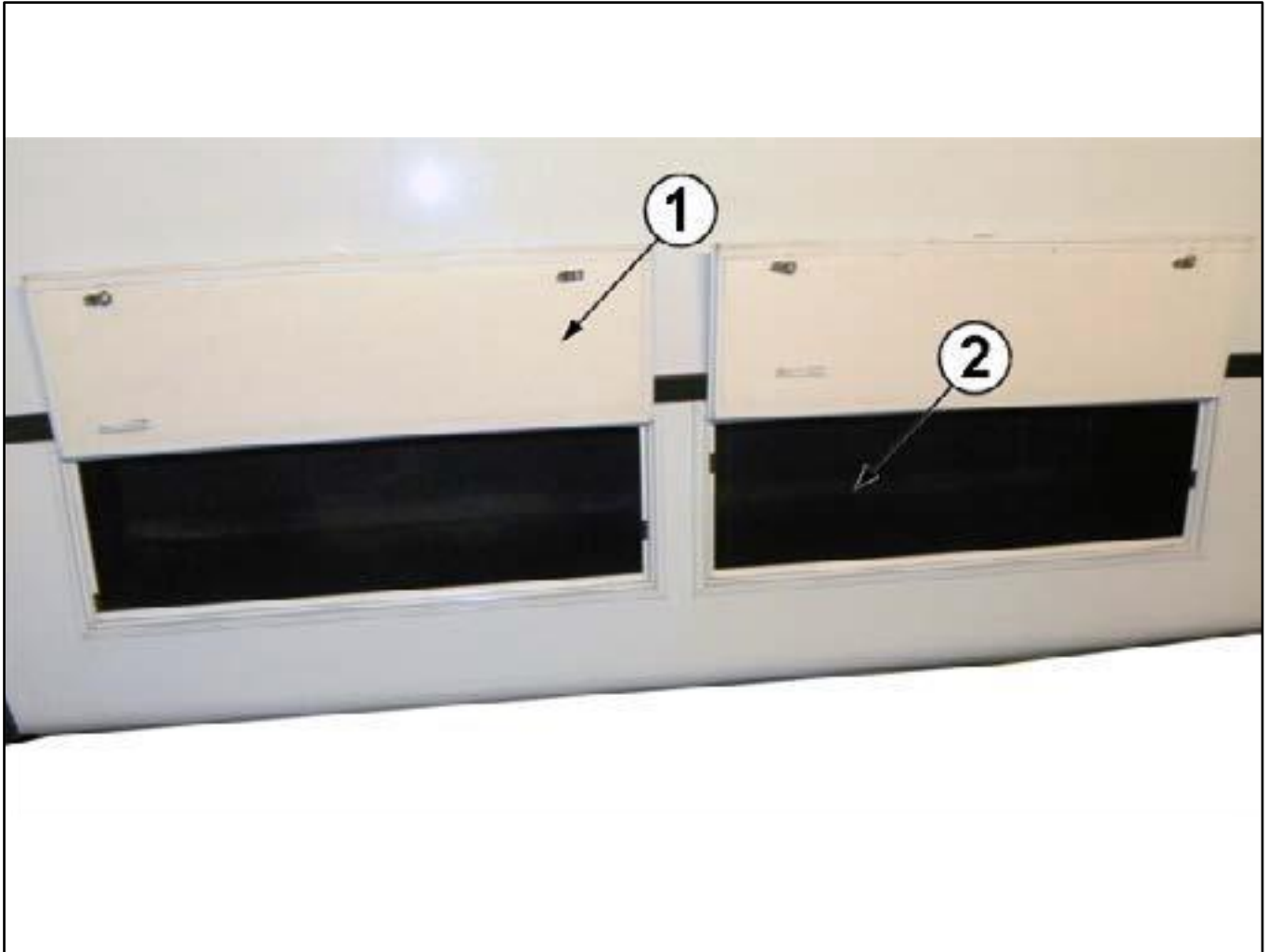
ITEM	PART NO.	DESCRIPTION	QTY	ITEM	PART NO.	DESCRIPTION	QTY
01	0376827	Pan, Z 1 x 7 x 1 x 87.88	1	05	0374105	Tube, .19 x 2 x 2 x 87.88	1
02	0376827	Pan, Z 1 x 7 x 1 x 23.19	2	06	0374105	Tube, .19 x 2 x 2 x 1.88	4
3	0376827	Pan, Z 1 x 7 x 1 x Cut to Width	2	NS	0342212	Tube, 14GA x 2 x 1.5 x Cut to Width	4
4	4370067	Steel, Coil .021 x 72 Galv. Underbelly	1	NS	0376822	Spacer, Chev Spacer 2001 Puck Mount	2



**storage box (23½ x 15 x 17½) under floor
0410556-gsa / 0403535-gsa**

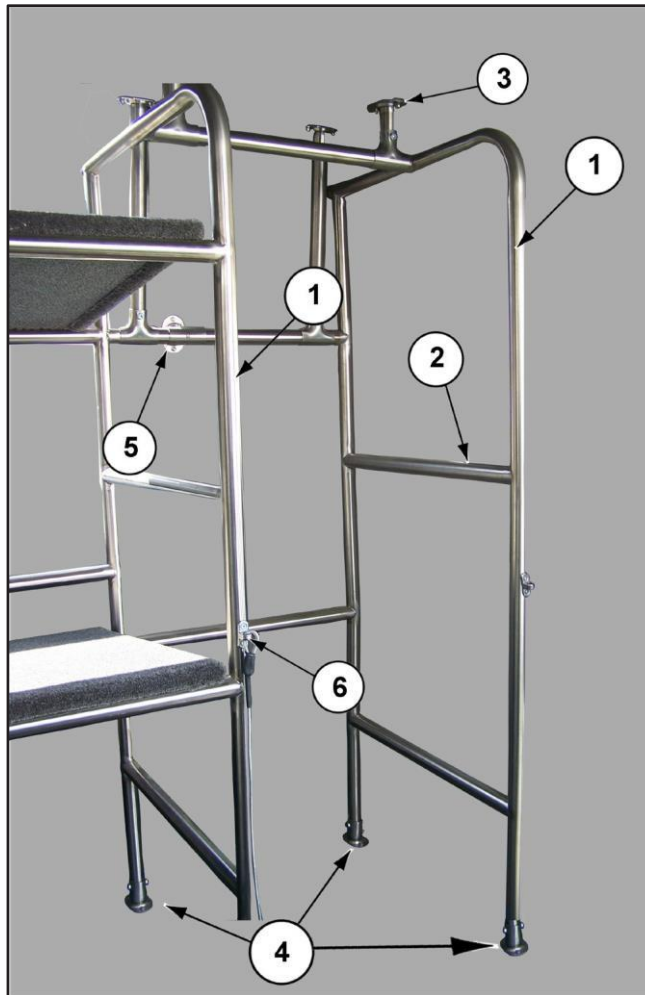
<i>ITEM</i>	<i>PART NO.</i>	<i>DESCRIPTION</i>	<i>QTY</i>	<i>ITEM</i>	<i>PART NO.</i>	<i>DESCRIPTION</i>	<i>QTY</i>
01	0379707	Box,Storage Waterproof (23½ x15 x17½)	1				
02	0403535-GSA	Install, Door Battery Tray Assy					
	5370597	Door, Battery 13¼ x 23¼ Three Sided	1				
	3371421	Cover, Screw Elixir White	AR				
	4941688	Holder, Door	1				
	5340393	Lock, Keyed Assembly	2				

NOTE: Pictures shows thumb locks, not the keyed locks as called for in this assembly.



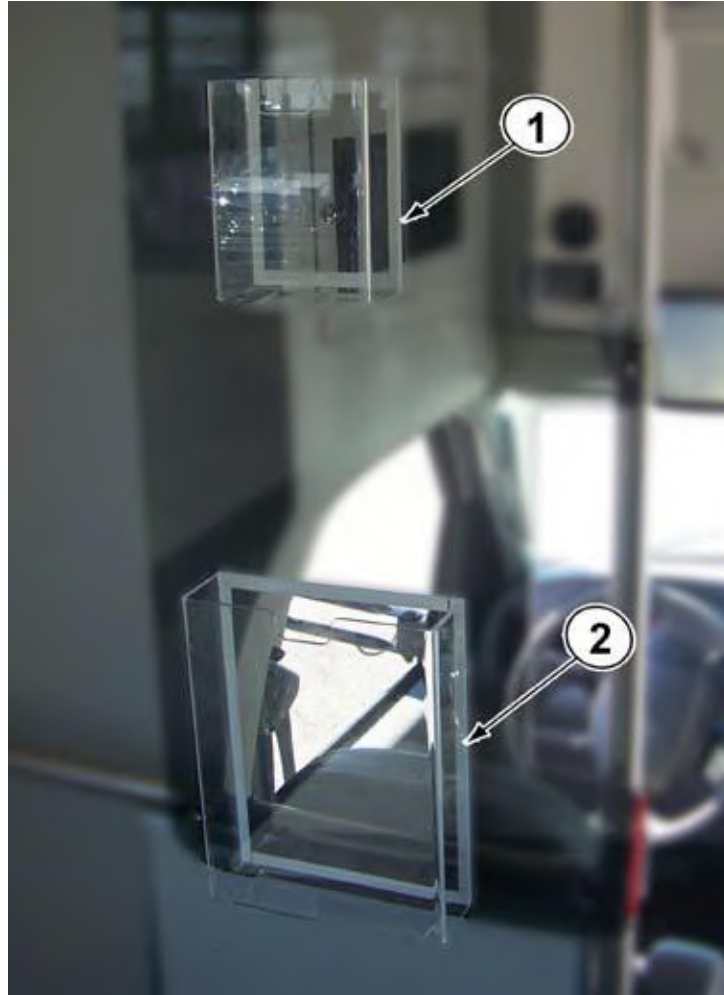
**underfloor luggage (96 X 23 X 14)
0419577 (rev-a)**

<i>ITEM PART NO. DESCRIPTION</i>	<i>QTY</i>	<i>ITEM PART NO. DESCRIPTION</i>	<i>QTY</i>
01 5370254 Door, 42 x 13 PWSMFG 2K TH CWPE	2		
02 0377925 Steel, Flat 16GA x 25 x 96"	1		
0376531 Steel, Flat 14GA x 3 x 96"	2		
0374644 Steel, Flat 11GA x 4" x 120"	.3		
0347278 Pan, Z 1" x 14 x 1 x 96" 20GA	1.5		
0360446 Angle, 16GA x 1 x 1.5 x 96" Galv.	1		
0970044 Plywood, 5/8 x 4 x 8 7-Ply BC Marine	.5		



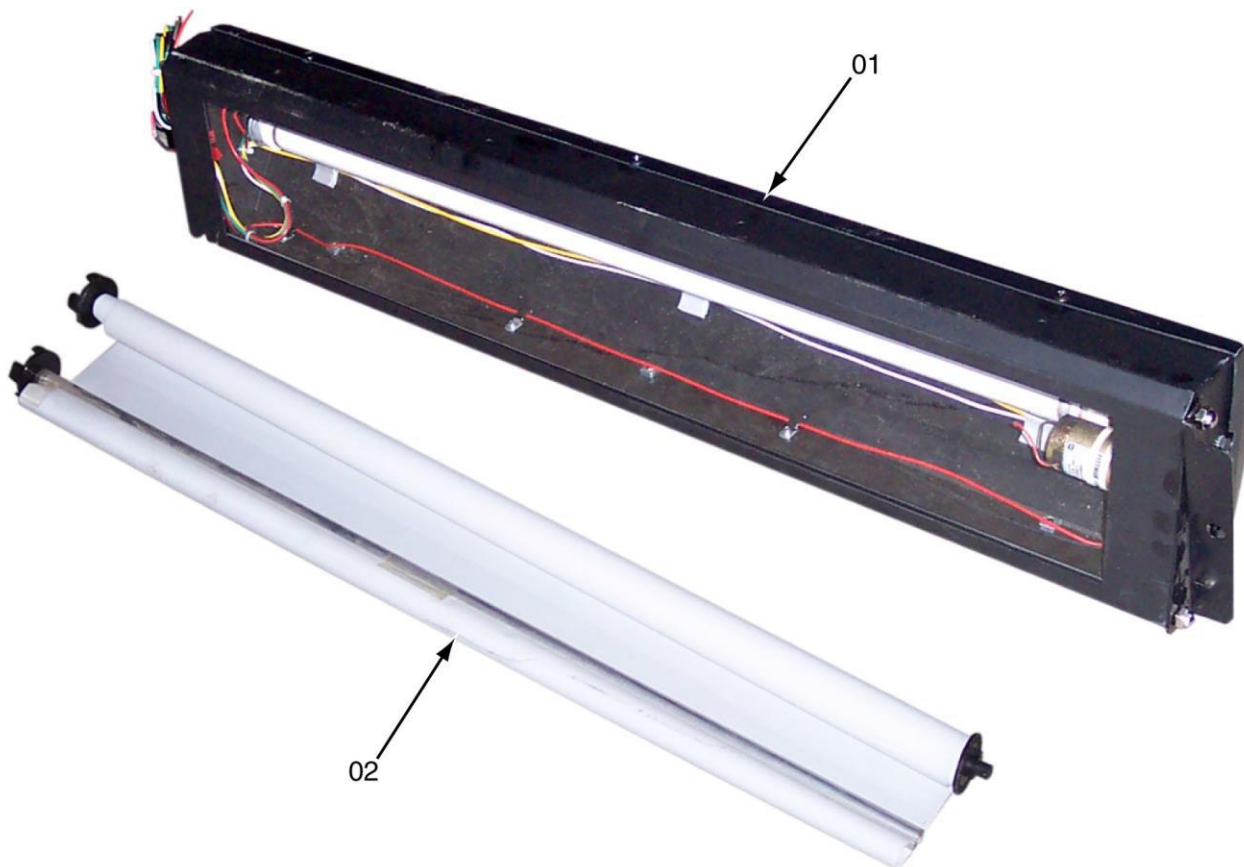
Garment rack 20" x 26", Securement chain 0404716 / 0407134

<i>ITEM PART NO. DESCRIPTION</i>	<i>QTY</i>	<i>ITEM PART NO. DESCRIPTION</i>	<i>QTY</i>
0404716 Rack, Garment 20" x 26"		0407134 Chain, Securement Garment Rack	
01 0346494 Tube, .065 x 1.25 x 17' S/S Clad	AR	06 4970538 Guide, Pull Chord Cast	2
02 0375842 Tube, .065 x 1.25 x 12' S/S 180Grid	AR	4970692 Connector, Oval Sleeve Crimp	2
03 0346379 Fitting, S/S Tee #50100	4	8570931 Screw, 8 x 1 Pan Quad Tek Clr	2
4 0343695 Fitting, S/S Bottom	2	4970563 Guide, Pull Chord Stamped 90°	2
5 0348235 Fitting, S/S Bottom Oval 90°	1		
NS 0346478 Bolt, Stanchion 1422 Male	12		
NS 0346460 Nut, Stanchion 1423 Female	12		



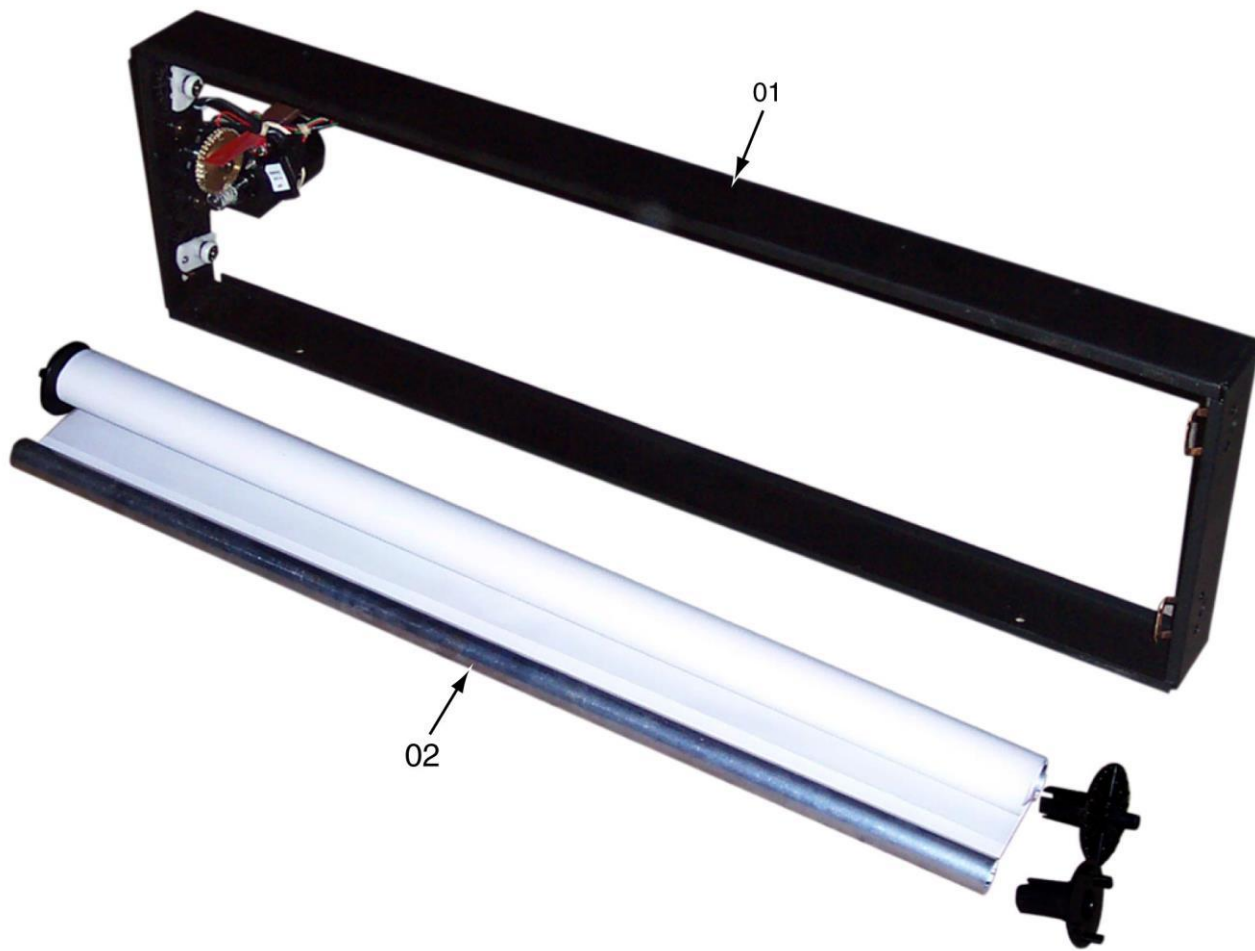
clear card holders
0416200 / 0416201

<i>ITEM PART NO. DESCRIPTION</i>	<i>QTY</i>	<i>ITEM PART NO. DESCRIPTION</i>	<i>QTY</i>
0416200		0416201	
1 3371787 Install, Holder Card 5" x 7" Clear	1	2 3371786 Install, Holder Card 9" x 12" Clear	1



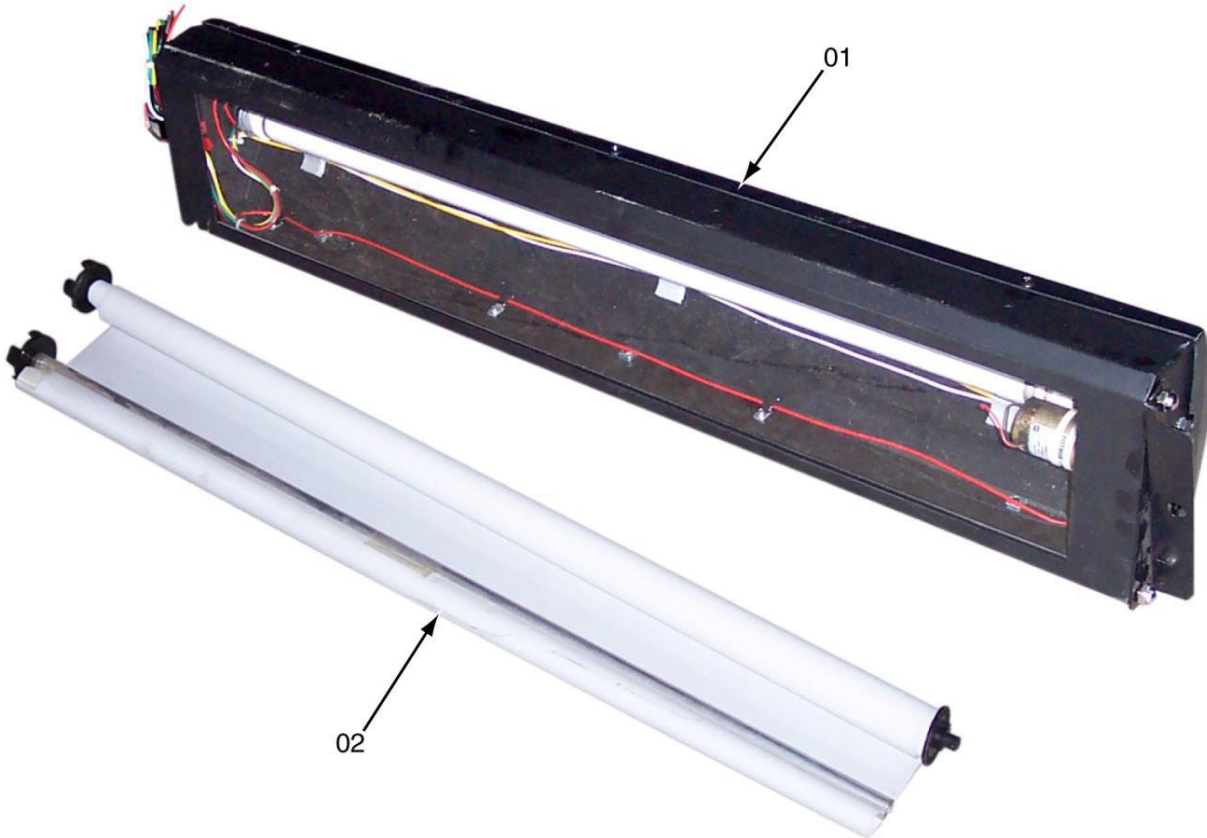
destination sign single
cr-000-900-0404, 0406058, 0407135

<i>ITEM PART NO. DESCRIPTION</i>	<i>QTY</i>	<i>ITEM PART NO. DESCRIPTION</i>	<i>QTY</i>
1 0406058 LIGHT, DESTINATION 48" SINGLE			
3971241 LIGHT, FLOURESCENT 48" BALLAST ASSY	1		
3972317 BULB, FLOURESCENT 4' DBLE PRONG 40W	1		
3970472 BREAKER, 15AMP (SILVER)			
1			
2 0407135 SIGN, DESTINAION SINGLE FRONT			
0378204 BRACKET, DEST SIGN FRONT	2		



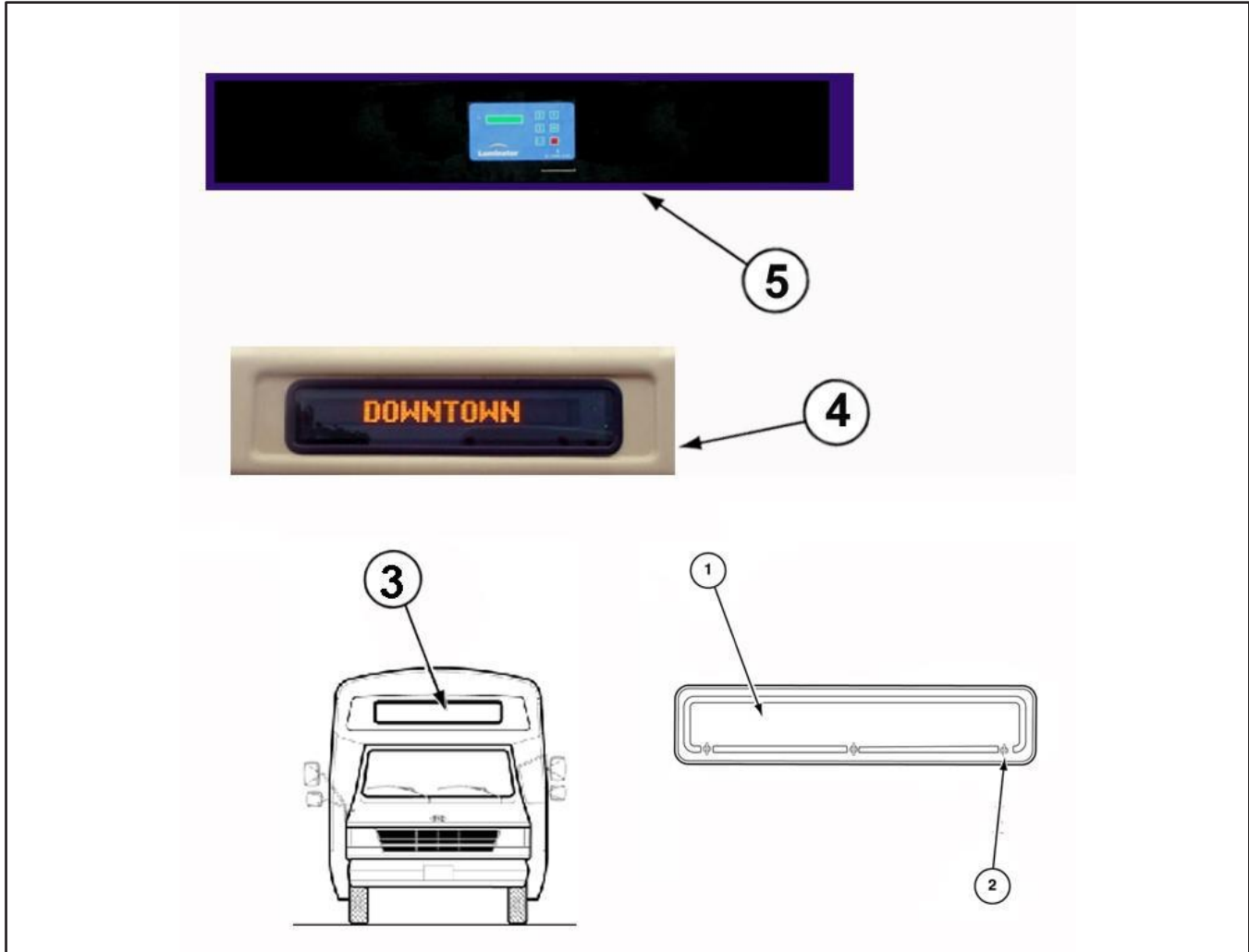
FRONT DESTINATION SIGN
CH-000-900-3175, 0408071

<i>ITEM</i>	<i>PART NO.</i>	<i>DESCRIPTION</i>	<i>QTY</i>	<i>ITEM</i>	<i>PART NO.</i>	<i>DESCRIPTION</i>	<i>QTY</i>
1	8941510	SIGN, DESTINATION (D3110)	1				
2	8940439	CURTAIN, DESTINATION (D3110 MA)	1				



SIDE DESTINATION SIGN
CH-000-900-3175

<i>ITEM</i>	<i>PART NO.</i>	<i>DESCRIPTION</i>	<i>QTY</i>	<i>ITEM</i>	<i>PART NO.</i>	<i>DESCRIPTION</i>	<i>QTY</i>
01	8970139	SIGN, SIDE DESTINATION (D34510XP)	1				
02	8970147	CURTAIN, ROLLER (D34510-MA)	1				



destination sign -luminator front 0414059

<i>ITEM PART NO. DESCRIPTION</i>	<i>QTY</i>	<i>ITEM PART NO. DESCRIPTION</i>	<i>QTY</i>
1 3370939 DOOR, DESTINATION	1		
2 4941520 LOCK, THUMB COMPLETE	3		
3 5970157 WINDOW, DESTINATION	1		
N/S 8970836 TAPE, SEALANT LIGHT BAR	15		
4 8971032 SIGN, DESTINATION FRONT VISTA	1		
5 FRNT DEST.,REAR VIEW W/EMBEDED CONTROLLER	1		
NS 0376572 BRACKET, DEST SIGN FRT	2		
N/S 8971035 CARD, WRITER VISTAFLASH	1		
N/S 4540142 ANGLE, ALUMINUM 1 x 1.5 x 12'	.5		
N/S 3974660 HARNESS, DESTINATION SIGN FRONT	1		

NO PICTURE AVAILABLE AT THIS TIME

**DESTINATION SIGN - TWIN VISION 12V
0417016**

<u>ITEM PART NO.</u>	<u>DESCRIPTION</u>	<u>QTY</u>	<u>ITEM PART NO.</u>	<u>DESCRIPTION</u>	<u>QTY</u>
NS 8971282	Sign, Destination Twin Vision 906-140	1			
NS 8971281	Sign, Destination Twin Vision 906-147	1			
NS 8970861	Console, OCU TwinVision W/RS-232	1			
NS 8970804	Elyse Software (License Fee)	.5			
NS 8970917	Card,, PCMCIA 1.0 Meg 576-6061-TW	.5			



Front Sign

1

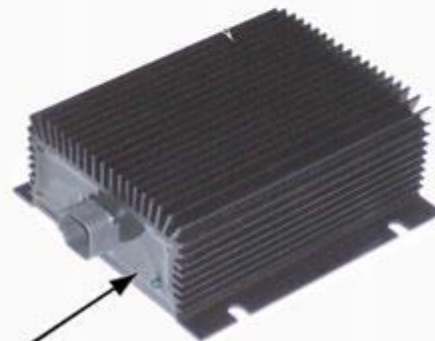


Side Sign

2



3



4

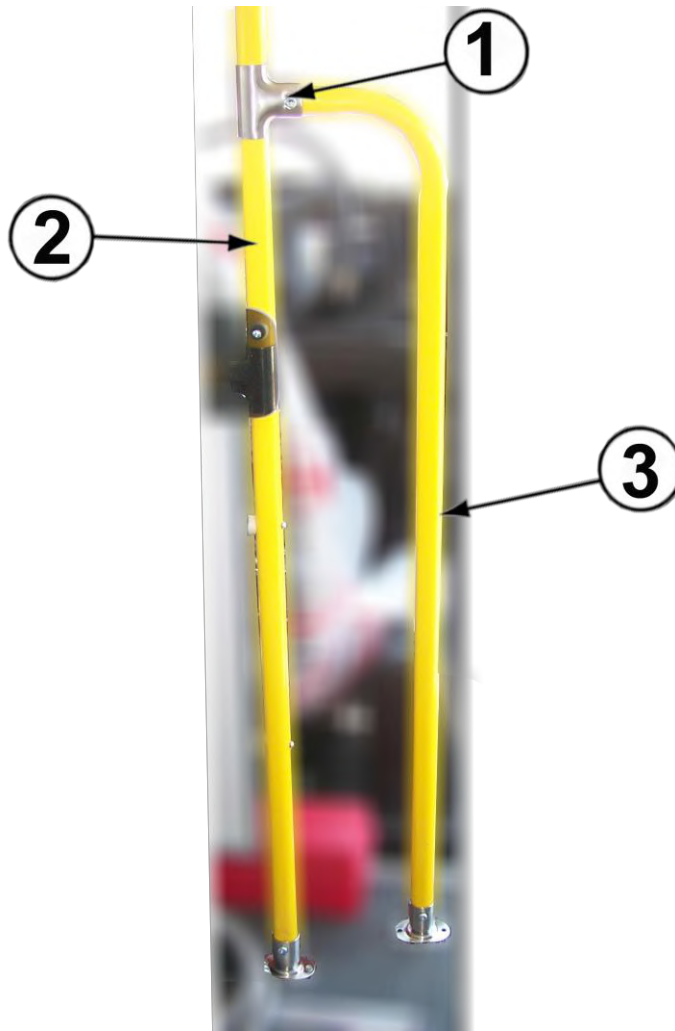
twin vision destination signs 0419038

ITEM	PART NO.	DESCRIPTION	QTY	ITEM	PART NO.	DESCRIPTION	QTY
1	3974703	Sign, Destination Front 14 x 108-8MM LED	1	N/S	3974660	Harness, Destination Sign Front	1
2	3974702	Sign, Destination Side 14 x 72-8MM LED	1	N/S	0407704	Install, Window 36.38 x 46.5 Clear	1
3	8970861	Console, OCU Twin Vision w/ RS-232	1	N/S	0403572	Install, Door Dest. Sign CH/CR ABS	1
4	3973278	Converter, 12v DC to 24v 10A DC	1	N/S	0403571	Install, Window Multiple Dest. Sign	1
N/S	8970917	Card, PCMCIA 1.0 Meg 576-6061-600 TW	A/R	N/S	3972514	Antenna, AM/FM	1
N/S	8970804	Elyse Software (License Fee)	A/R	N/S	3974103	Antenna, Cable Extension	2
N/S	0377895	Bracket, Side Dest. Sign	1	N/S	8971295	Cable, Extension Twin Vision Frt/Side	1
N/S	0377524	Bracket, Front Dest. Sign	1				



**dc converter 12v - 24v
0418854**

<i>ITEM PART NO. DESCRIPTION</i>	<i>QTY</i>	<i>ITEM PART NO. DESCRIPTION</i>	<i>QTY</i>
01 3973278 DC CONVERTER, 12V-24V	1		
NS 3974661 HARNESS, RADIO PREP	1		



Fare BOx PreP
Cx0000020038

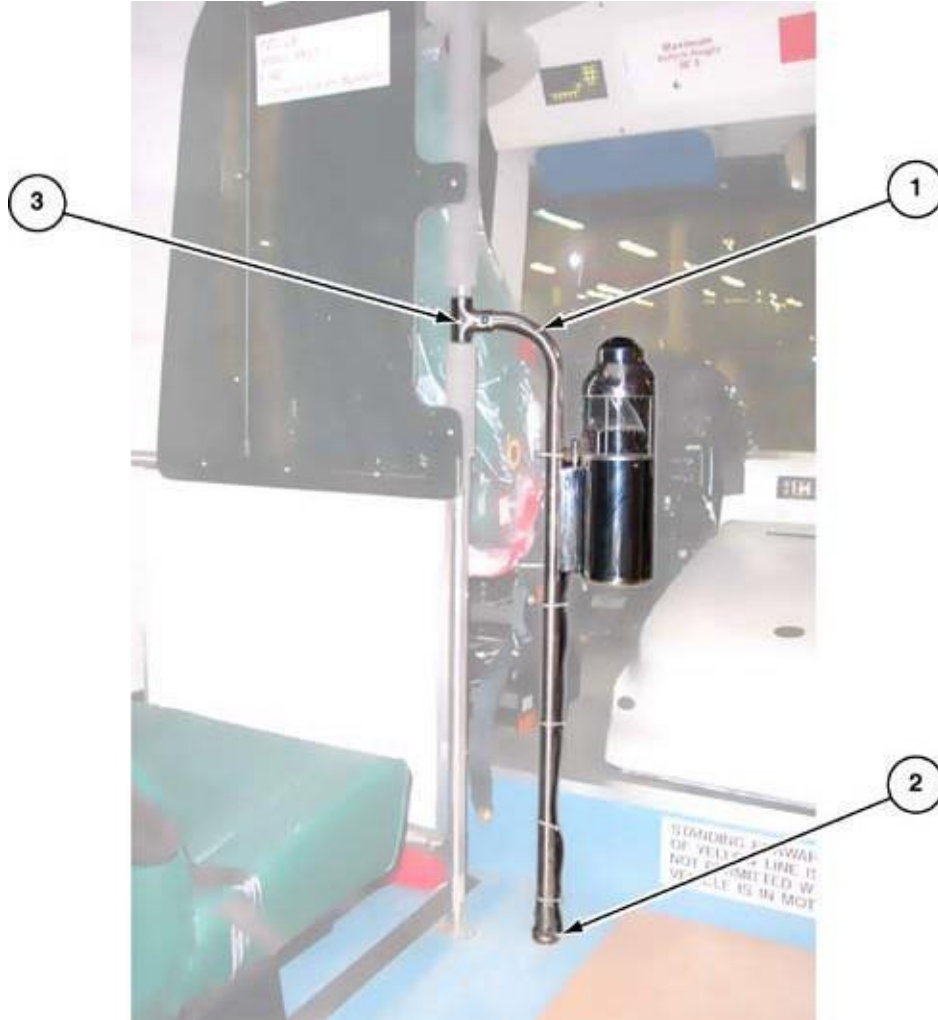
ITEM	PART NO.	DESCRIPTION	QTY	ITEM	PART NO.	DESCRIPTION	QTY
01	0346395	Fitting, SS Mount 21511	1				
02	0346494	Tube, .065 x 1.25 x 236" SS	AR				
03	0374008	Support, Grab Rail 4.03 SS	1				

Please note picture is of yellow coated SS



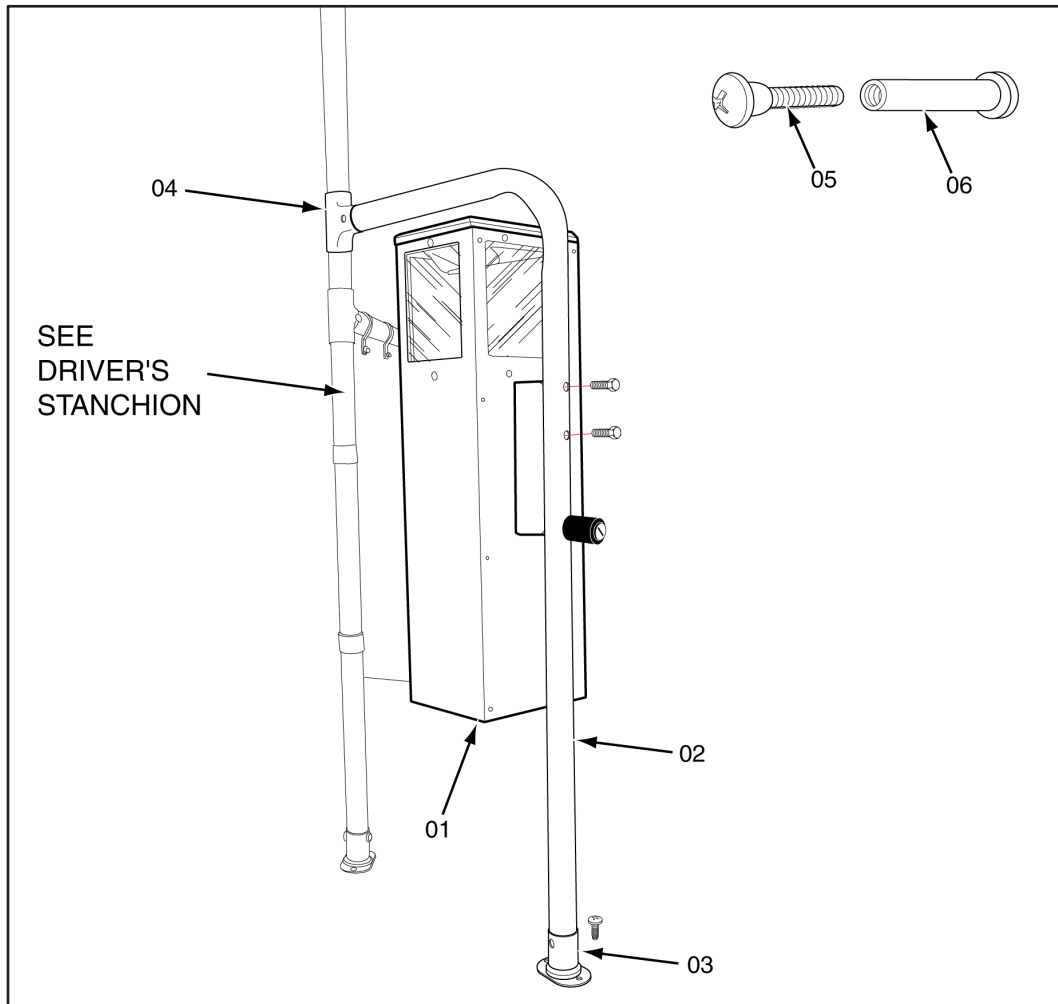
gfi pacemaker farebox
0418891 / 6570049

<i>ITEMPART NO.</i>	<i>DESCRIPTION</i>	<i>ITEMPART NO.</i>	<i>DESCRIPTION</i>
1	6570049 FAREBOX, GFI PACEMAKER	2	
2	6570050 Bracket, GFI S/A MOUNTING	1	
CH0000083134 FAREBOX STANCHION		1	
NS	0346494 TUBE, .065 X 1.25 X 17' S/S 189 GRID	AR	
NS	0346395 FITTING, S/S BOTTOM TL 200	1	
NS	0376089 FITTING, S/S OVAL BASE FLANGE	1	



Farebox stanchion ch0000083134

<i>ITEM PART NO. DESCRIPTION</i>	<i>QTY</i>	<i>ITEM PART NO. DESCRIPTION</i>	<i>QTY</i>
01 0346494 Tube, .065 x 1.25 x 236" SS 180 Grid AR			
2 0376089 Fitting, SS Oval base Flange	1		
3 0346395 Fitting, SS Ceiling Mount 21511	1		



FARE BOX STANCHION
CH-000-900-3038, 0404727

<i>ITEM PART NO. DESCRIPTION</i>	<i>QTY</i>	<i>ITEM PART NO. DESCRIPTION</i>	<i>QTY</i>
01 6570006 Farebox, M-4 With 2 Vaults	1		
02 0346494 Tube, .065 x 1.25 x 17' S/S 180Grid	.3		
03 0346395 Fitting, S/S Bottom	1		
04 0346379 Fitting, S/S Tee #1495	1		
5 8571066 Bolt, Binder Male 1/4	3		
6 8571066 Bolt, Binder Female 1/4	3		



fare box, w/2 vaults treasury 1
cx-000-900-3038

<i>ITEM PART NO. DESCRIPTION</i>	<i>QTY</i>	<i>ITEM PART NO. DESCRIPTION</i>	<i>QTY</i>
01 6540033 Fare Box, Treasury 1 W/ 2 Vaults	1		



**main fare box w/lock box & bracket
6570184**

<i>ITEM PART NO. DESCRIPTION</i>	<i>QTY</i>	<i>ITEM PART NO. DESCRIPTION</i>	<i>QTY</i>
01 6570184 Fare Box, Main W/Lock Box & Brack	1		



fare box, main m4 w/2 vaults
cn-000-900-3038, 0404447

<i>ITEM PART NO. DESCRIPTION</i>	<i>QTY</i>	<i>ITEM PART NO. DESCRIPTION</i>	<i>QTY</i>
0404447 M4 Fare Box W/2 Vaults			
01 6570006 Fare Box, M-4 With 2 Vaults	1		



farebox, main m4 1-vault gray
0418457

<i>ITEM PART NO. DESCRIPTION</i>	<i>QTY</i>	<i>ITEM PART NO. DESCRIPTION</i>	<i>QTY</i>
01 6570180 Farebox, Main M4 W/1 Vault Gray	1		



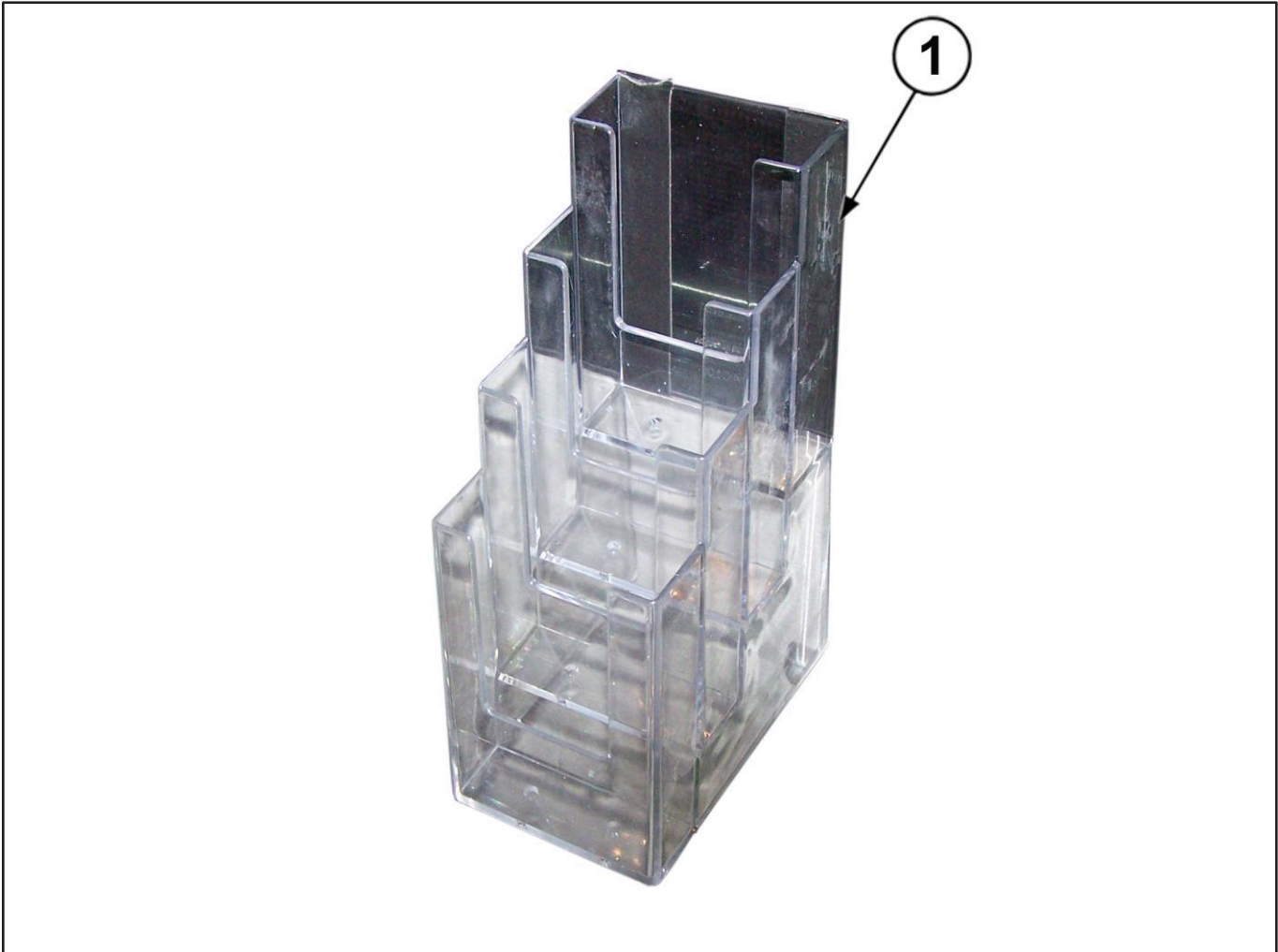
**diamond farebox "d" w/2 vaults
0409416**

<i>ITEM PART NO. DESCRIPTION</i>	<i>QTY</i>	<i>ITEM PART NO. DESCRIPTION</i>	<i>QTY</i>
01 6570064 Farebox, Diamond Model D w/2 Vaults (Picture is 1 Vault, Similar to 2 Vault)	1		



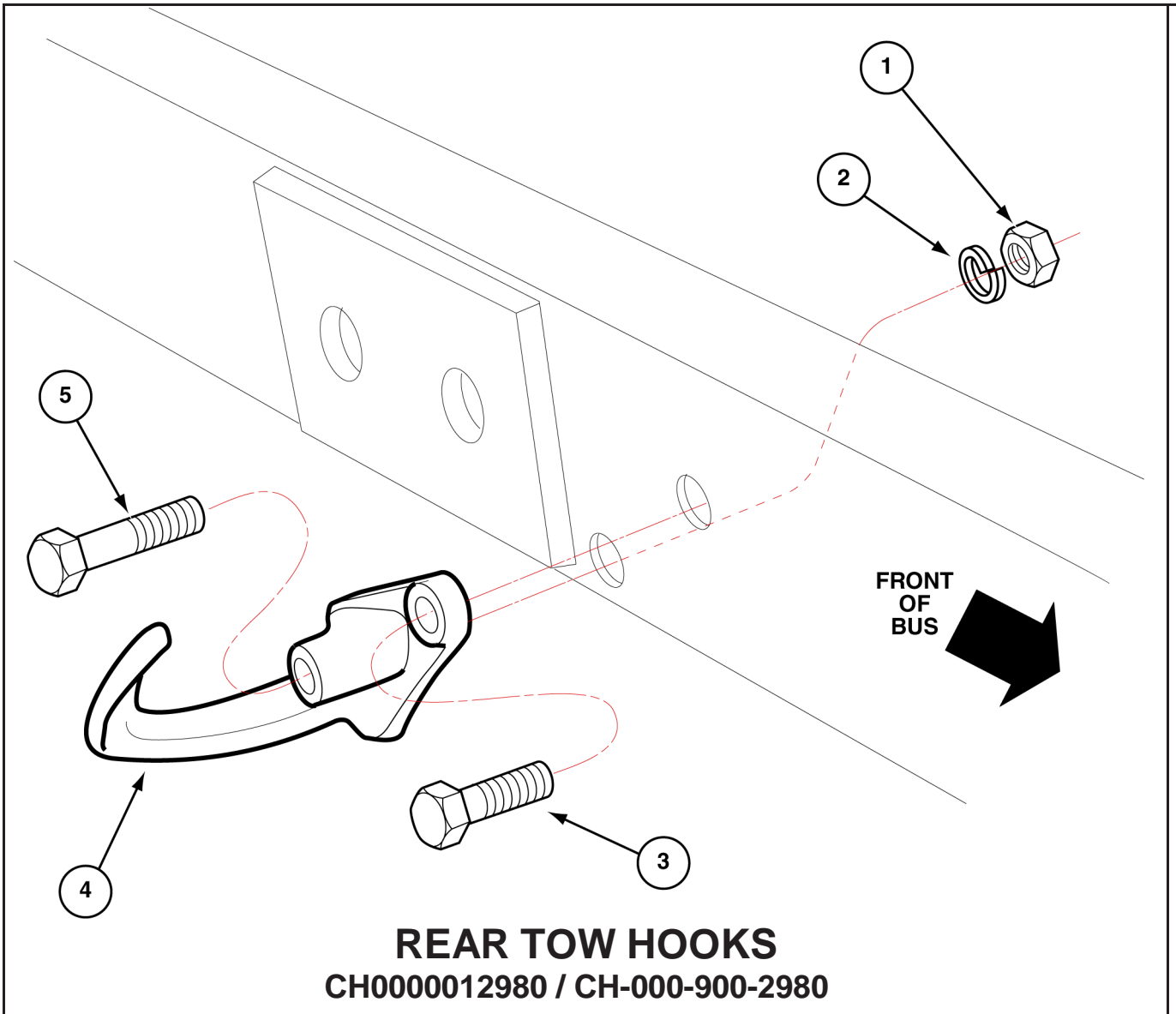
gfi pacemaker farebox
6570049

<i>ITEMPART NO.</i>	<i>DESCRIPTION</i>	<i>ITEMPART NO.</i>	<i>DESCRIPTION</i>
01 3570048 FAREBOX, GFI PACEMAKER	1		



pamphlet holder - 4 pocket
cx0000085336

<i>ITEM PART NO. DESCRIPTION</i>	<i>QTY</i>	<i>ITEM PART NO. DESCRIPTION</i>	<i>QTY</i>
01 4970702 Holder, Pamphlet 4-Pocket	1		



<i>ITEM</i>	<i>PART NO.</i>	<i>DESCRIPTION</i>	<i>QTY</i>	<i>ITEM</i>	<i>PART NO.</i>	<i>DESCRIPTION</i>	<i>QTY</i>
01	8543399	NUT, HEX (5/8-11 GRD 8 USS PLATED)	4				
02	8543407	LOCKWASHER (5/8 HIGH ALLOY)	4				
03	8543381	BOLT, HEX (5/8 x 2-1/2 GRD 8 PLATED)	2				
4	0140061	HOOK, TOW (FINISHED)	1				
5	8543485	BOLT, HEX (5/8 x 3 USS PLATED)	2				



LIGHTED Door WARNING BUZZER
CX0000023096

<i>ITEM</i>	<i>PART NO.</i>	<i>DESCRIPTION</i>	<i>QTY</i>	<i>ITEM</i>	<i>PART NO.</i>	<i>DESCRIPTION</i>	<i>QTY</i>
1	3973085	LIGHT, BUZZ (NO ENGRAVING)	1				
2	3974501	LIGHT, INDICATOR (GREEN)	1				



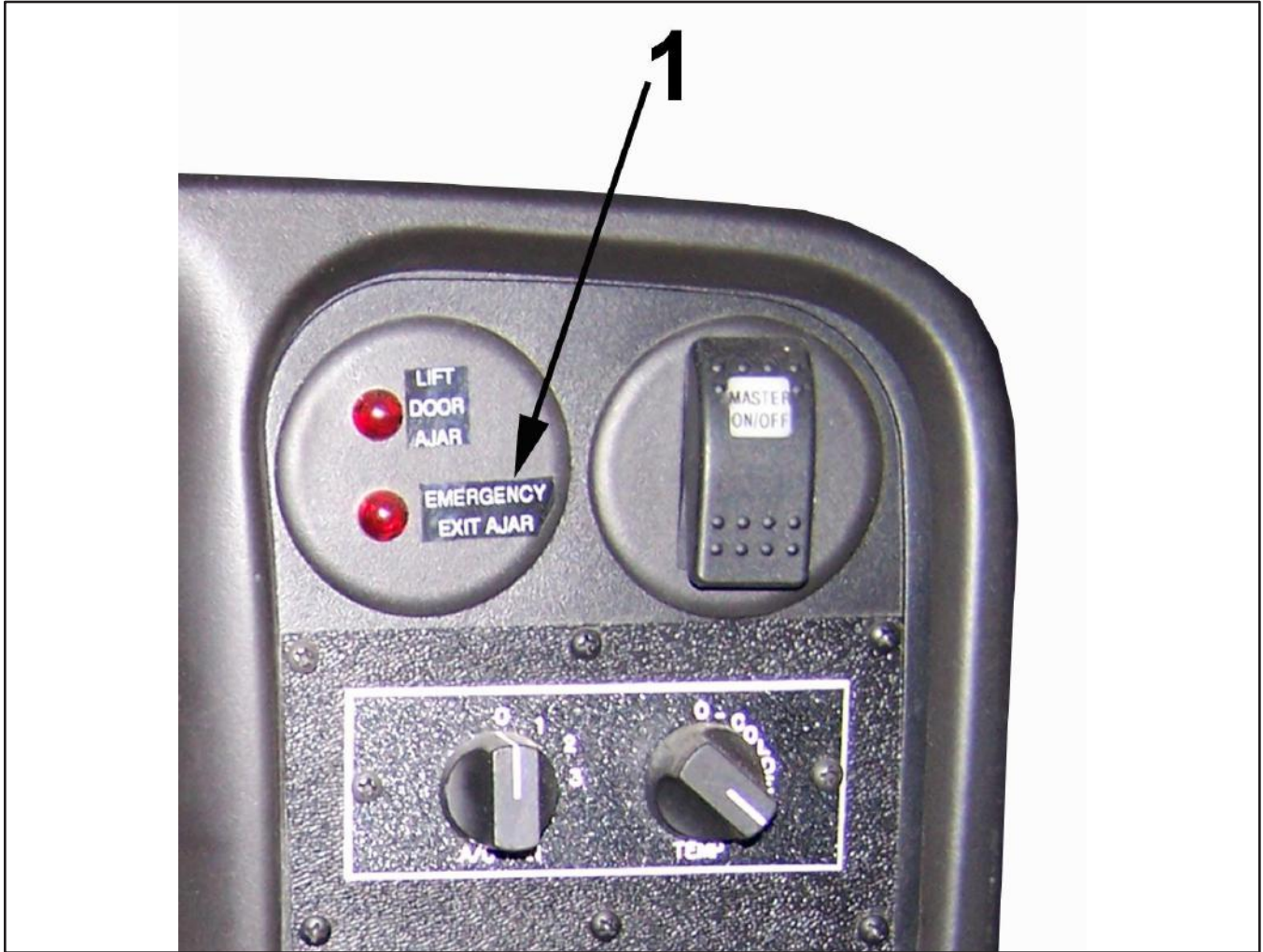
LIGHTED WARNING BUZZER
CX-000-900-3096 & CX-000-900-3099

<i>ITEM</i>	<i>PARTNO.</i>	<i>DESCRIPTION</i>	<i>QTY</i>	<i>ITEM</i>	<i>PARTNO.</i>	<i>DESCRIPTION</i>	<i>QTY</i>
1	3973085	LIGHT, BUZZ(NOENGRAVING)	1				
2	3971475	LIGHT, INDICATOR(GREEN)	1				



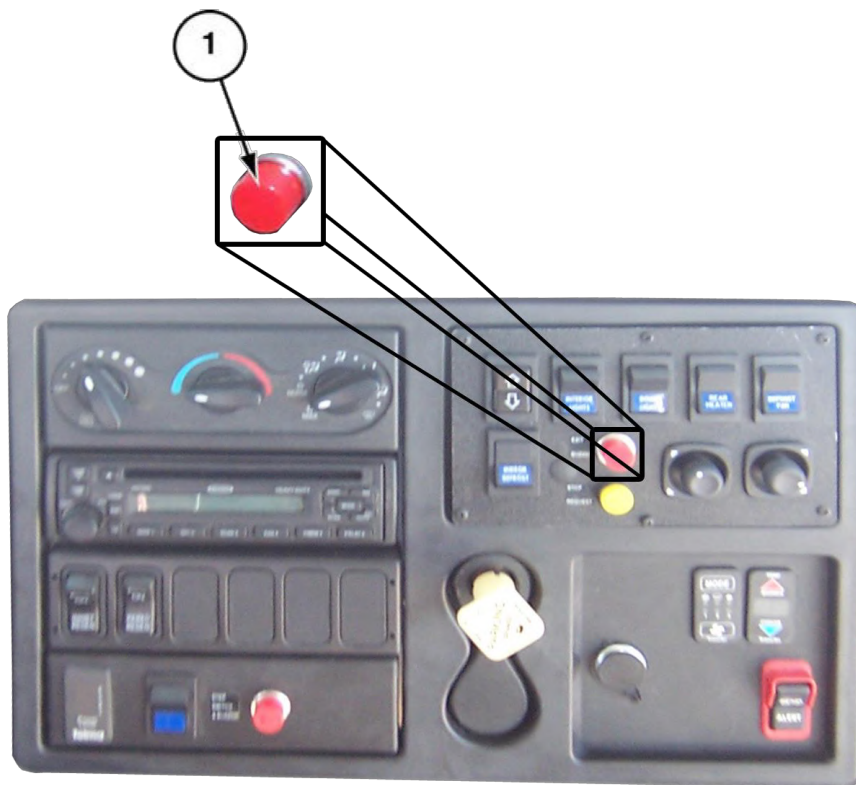
LIGHT, RED EXIT W/ LABEL
CX0000073817

<i>ITEM PART NO. DESCRIPTION</i>	<i>QTY</i>	<i>ITEM PART NO. DESCRIPTION</i>	<i>QTY</i>
01 3971363 Light, Indicator Red	1		
NS 8944035 Decal, Emergency Exit	1		
NS 3971942 Wire, 14GA GXL Brown(Unmarked)	2		



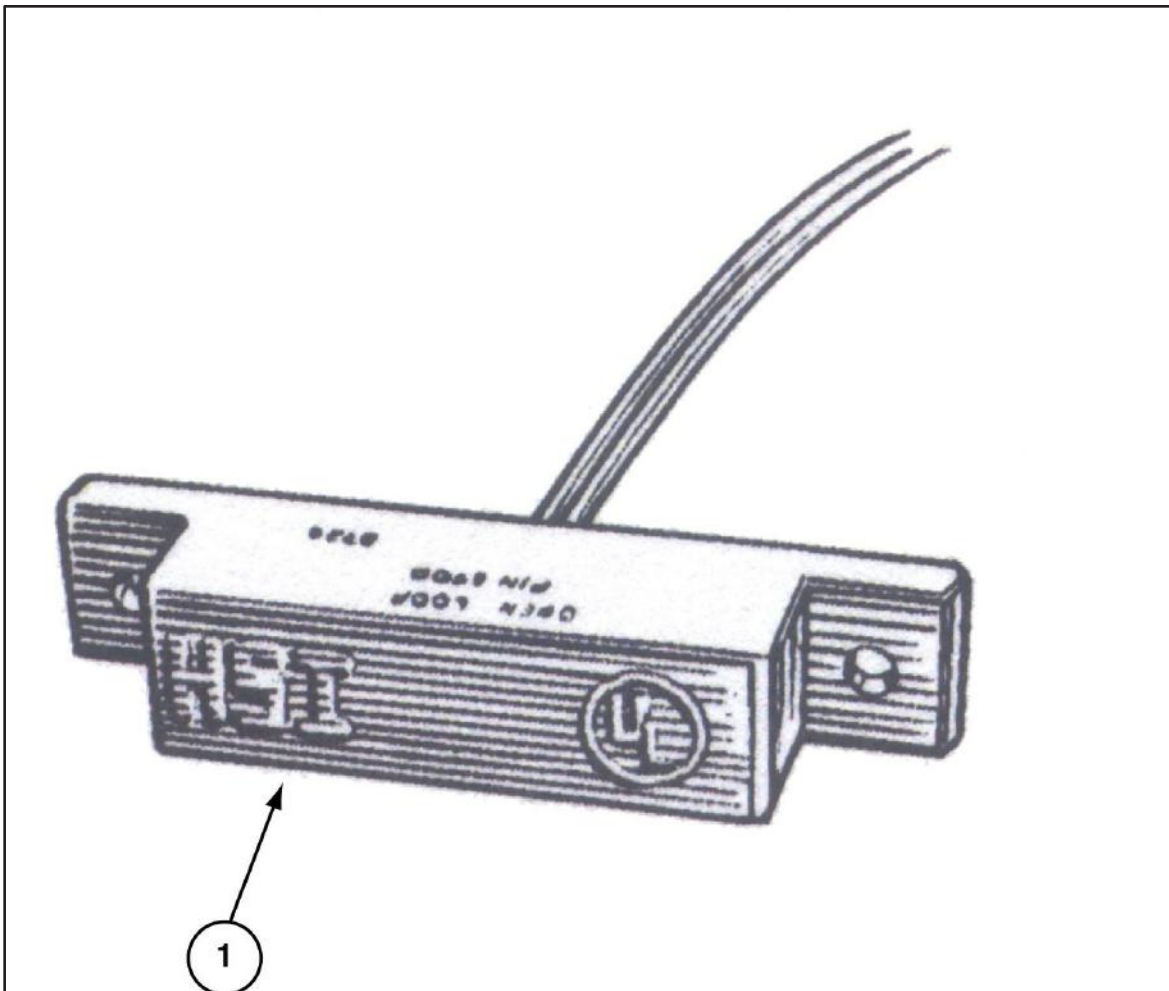
exit window buzzer/light
cx0000072814

<i>ITEMPART NO.</i>	<i>DESCRIPTION</i>	<i>ITEMPART NO.</i>	<i>DESCRIPTION</i>
01 3973085	Light, Buzz Engraved Exit	1	



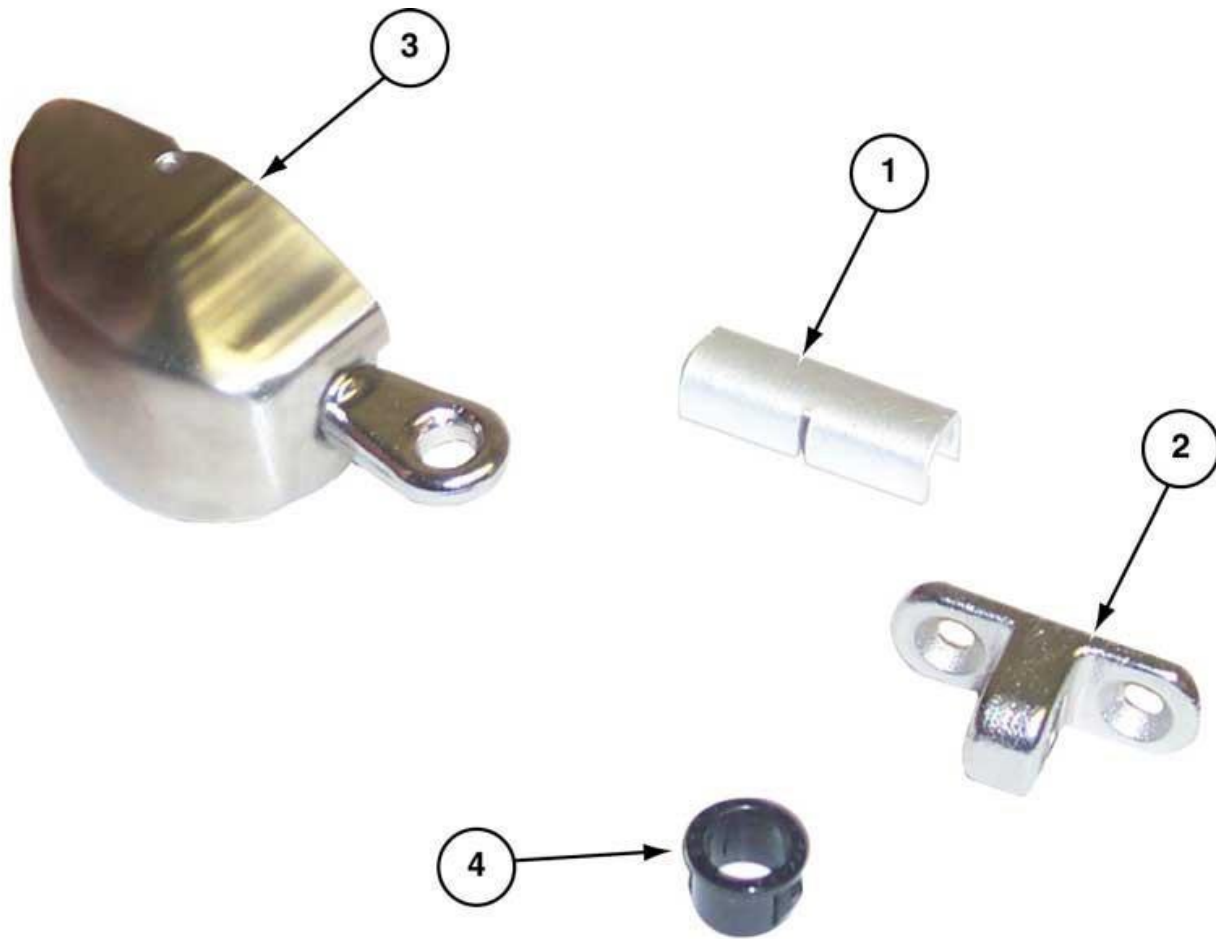
exit window buzz light
Cx0000072813 / Cx0000072814

<i>ITEM PART NO. DESCRIPTION</i>	<i>QTY</i>	<i>ITEM PART NO. DESCRIPTION</i>	<i>QTY</i>
CX0000072813 EXIT WINDOW BUZZER PREP		CX0000072814 EXIT WINDOW (EACH)	
01 3971363 LIGHT, INDICATOR RED	1	01 3973085 LIGHT, BUZZ (ENGRAVED "EXIT")	1
N/S 3973049 SWITCH, MAGNETIC HERMETEC	1	N/S 8570739 SCREW (8x3/4 PAN QUAD BLACK EPIGUARD)	2
N/S 3973050 ACTUATOR, MAGNETIC	1		
N/S 3974480 LIGHT, INDICATOR RED	1		
N/S 3973546 RELAY, 40 AMP	1		
N/S 3971528 BASE, RELAY	1		



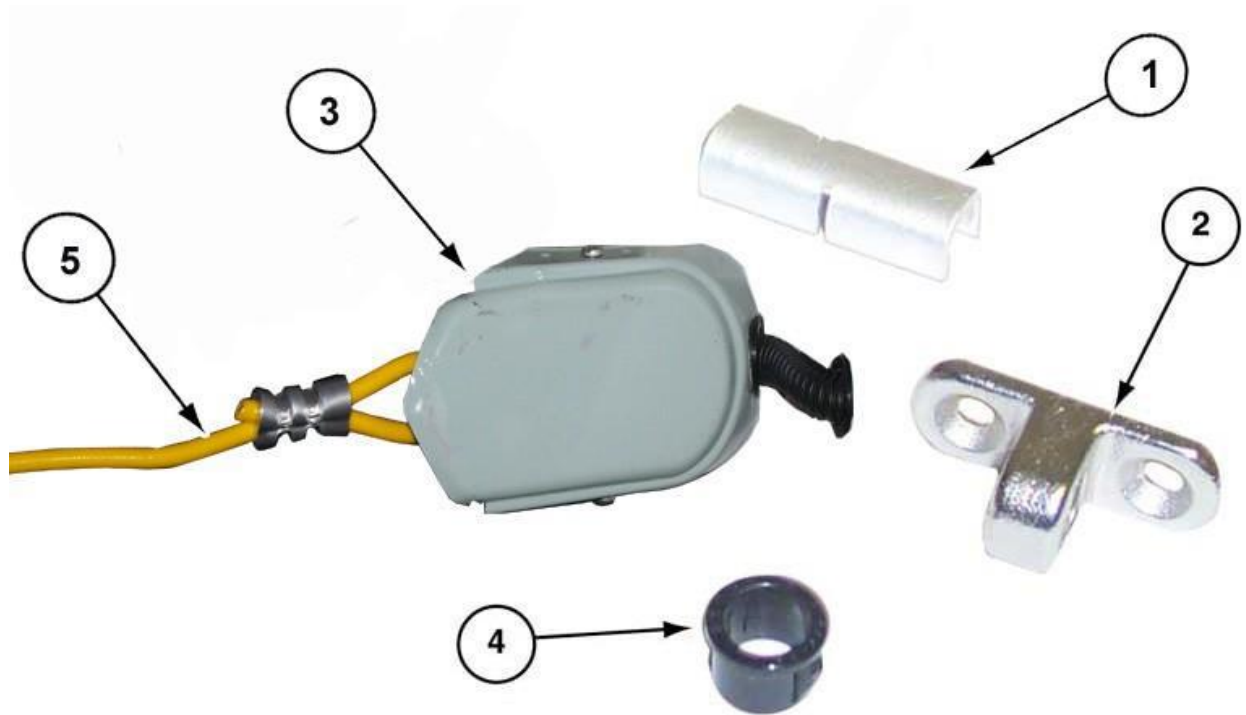
**EXIT WINDOW SWITCH
CX0000072816**

<i>ITEM PART NO. DESCRIPTION</i>	<i>QTY</i>	<i>ITEM PART NO. DESCRIPTION</i>	<i>QTY</i>
1 3970349 Switch, Magnetic	1		
NS 3973050 Actuator, Magnetic	1		



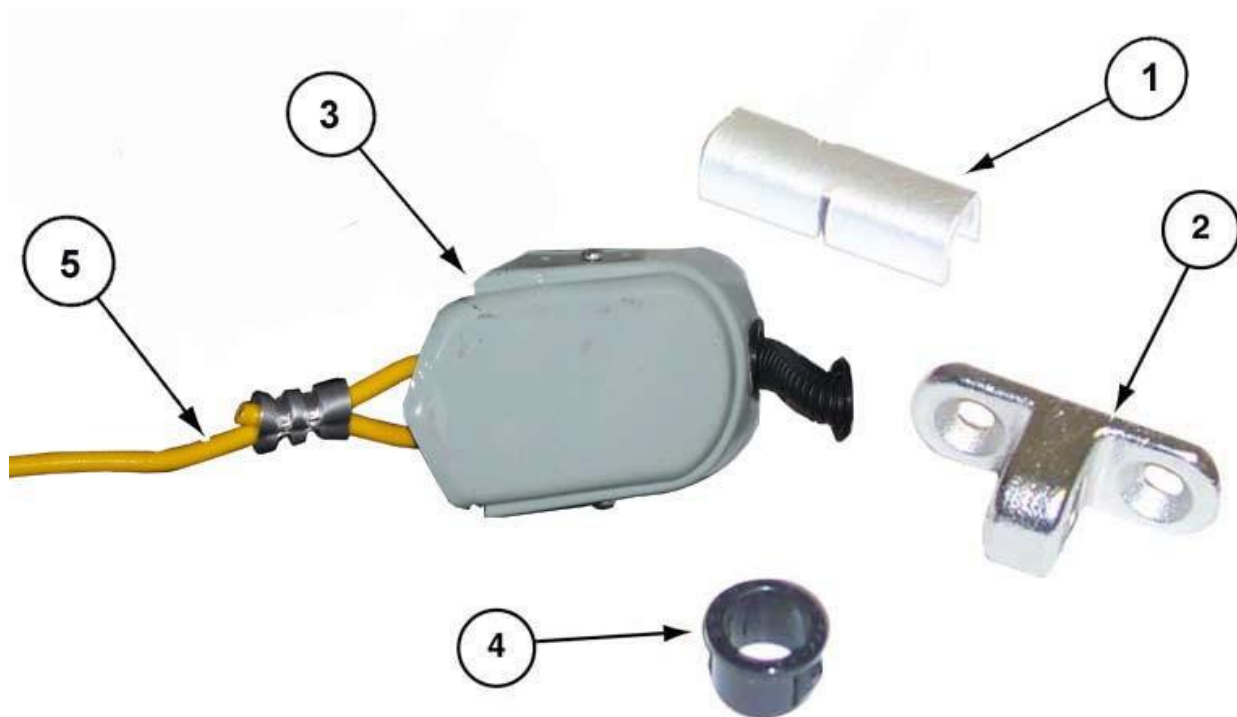
PASSENGER PULL CORD W/2 TONE CHIME DF-331-998-2822

<i>ITEM PART NO. DESCRIPTION</i>	<i>QTY</i>	<i>ITEM PART NO. DESCRIPTION</i>	<i>QTY</i>
1 4941654 Connector, Double 3/16	4		
2 4970563 Guide, Pull Chord Stamped 90 Deg	15		
3 3974280 Switch, Pull Spemco	2		
04 3971506 Bushing, Snap 1/2"	2		
N/S 4970431 Cable, Pull Cord 3/16	55.7		
N/S 3971952 Chime, Enclosed 12-24-V VDC	1		
N/S 4970692 Connector, Oval Sleeve Crimp 3/16	4		
NS 3974532 Panel, Stop Request Add On	1		
NS 3944485 Terminal, QkDisc/FEM/INS 16-14	2		
NS 3972875 Speaker, Mini Squate 2004	1		



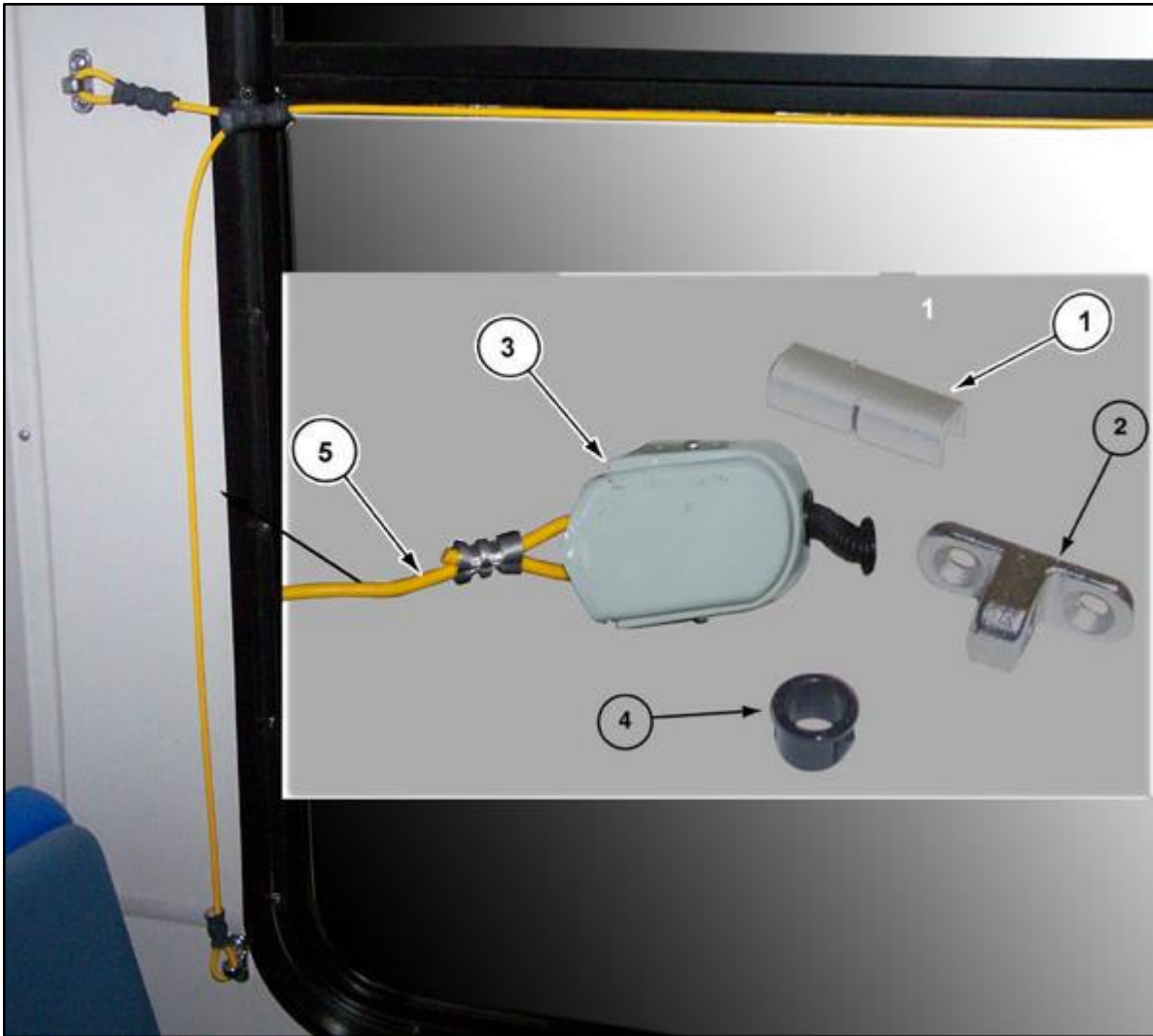
PASSENGER PULL CORD WLiGht bUzzER YELLOW Ch-251-900-2822Y

<i>ITEM PART NO. DESCRIPTION</i>	<i>QTY</i>	<i>ITEM PART NO. DESCRIPTION</i>	<i>QTY</i>
1 4941654 Connector, Double 3/16	4		
2 4970563 Guide, Pull Chord Stamped 90 Deg	8		
3 3974280 Switch, Pull Spemco	2		
04 3971506 Bushing, Snap 1/2"	2		
05 4970544 Cable, Pull Cord Yellow 3/16"	A/R		
N/S 4970692 Connector, Oval Sleeve Crimp 3/16	4		
N/S 4970715 Guide, Pull Chord Cast 90 Deg	4		
N/S 3974480 Light, Indicator Red	1		
N/S 3974845 Light, Indicator Red 14V	1		



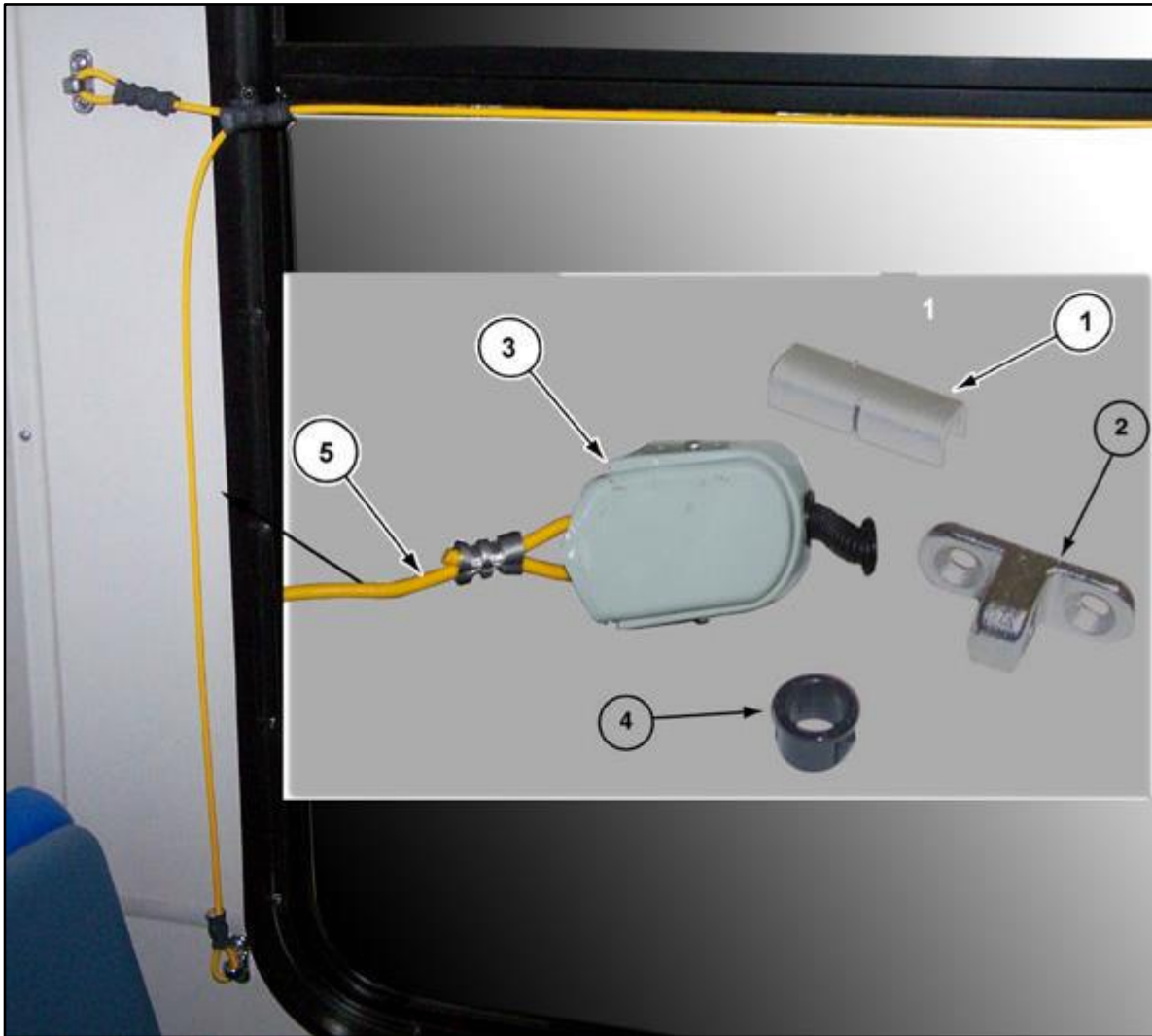
PASSENGER PULL CORD W/2 TONE CHIME YELLOW Df-271-900-2822Y

<i>ITEM PART NO. DESCRIPTION</i>	<i>QTY</i>	<i>ITEM PART NO. DESCRIPTION</i>	<i>QTY</i>
1 4941654 Connector, Double 3/16	4		
2 4970563 Guide, Pull Chord Stamped 90 Deb	11		
3 3974280 Switch, Pull Spemco	2		
04 3971506 Bushing, Snap 1/2"	2		
05 4970538 Cable, Pull Cord Yellow 3/16"	A/R		
N/S 3971952 Chime, Enclosed 12-24-V VDC	1		
N/S 3945623 Loom, 1/4" Split Plastic Hi-Temp	35		
N/S 4970692 Connector, Oval Sleeve Crimp 3/16	4		
N/S 4970538 Guide, Pull Chord Cast	11		
N/S 8570931 Screw, 8x1 Pan Quad Tek Clr Empigu	22		
N/S 3942299 Terminal, Ring Blue 16-14GA #10 Stud	4		
N/S 3970472 Breaker, 15 Amp 1771-1520	1		
N/S 8570935 Screw, 8x1 Flat QDX T2 Clr Empgd	4		
N/S 3971581 Terminal, QKDisc/FEM Non-Ins 16-14	2		



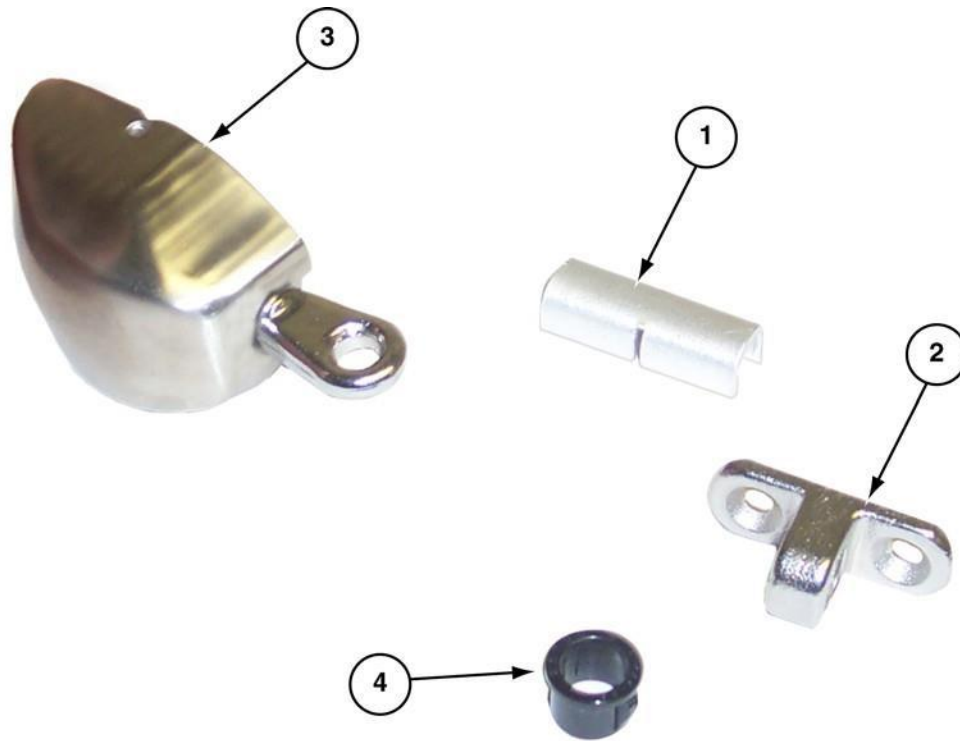
PASS PULL CORD W/2-TONE CHIME YELLOW
Df-311-900-2822Y

<i>ITEM PART NO. DESCRIPTION</i>	<i>QTY</i>	<i>ITEM PART NO. DESCRIPTION</i>	<i>QTY</i>
1 4970692 Connector, Oval Sleeve Crimp 3/16	4		
2 4970563 Guide, Pull Chord Stamped 90 Deg	AR		
3 3974280 Switch, Pull Spemco	2		
04 3971506 Bushing, Snap 1/2"	2		
05 4970544 Cable, Pull Cord Yellow 3/16"	AR		
N/S 3971952 Chime, Enclosed 12-24-V VDC 2-Tone	1		
N/S 3944485 Terminal, QKDisc/ Fem F/ Ins 16-14	1		
NS 3974532 Panel, Stop Request Add On	1		



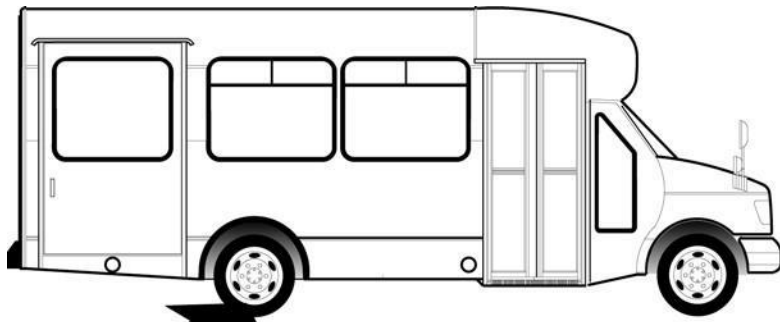
**PASSenger PULL COrD YeLLow
0418840**

<i>ITEM</i>	<i>PART NO.</i>	<i>DESCRIPTION</i>	<i>QTY</i>	<i>ITEM</i>	<i>PART NO.</i>	<i>DESCRIPTION</i>	<i>QTY</i>
1	4970692	Connector, Oval Sleeve Crimp 3/16	16				
2	4970538	Guide, Pull Chord Cast	10				
3	3974280	Switch, Pull Spemco	2				
04	3971506	Bushing, Snap 1/2"	2				
05	4970544	Cable, Pull Cord Yellow 3/16"	35				

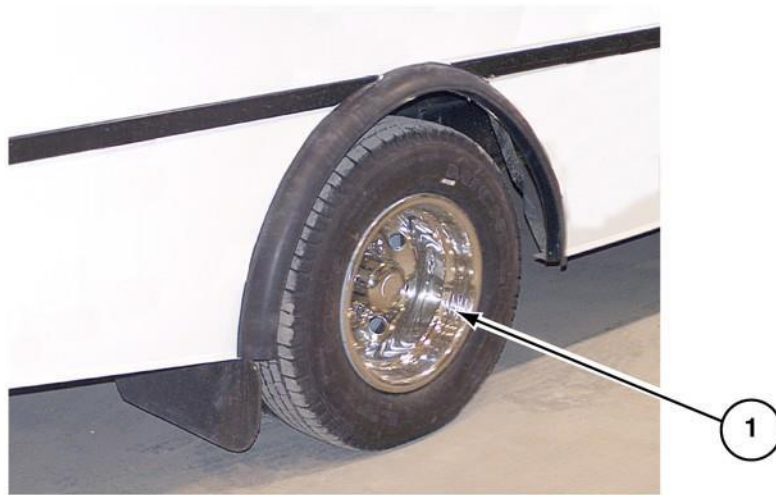


PASSENGER PULL CORD W/LIGHTED BUZZER CH-251-900-2822

<i>ITEM</i>	<i>PARTNO.</i>	<i>DESCRIPTION</i>	<i>QTY</i>	<i>ITEM</i>	<i>PARTNO.</i>	<i>DESCRIPTION</i>	<i>QTY</i>
01	4941654	CONNECTOR, DOUBLE (3/16")	4				
02	4970563	GUIDE, PULLCORD(STAMPED) 90°	10				
03	3941879	SWITCH, PULLAE-66231	2				
04	3971506	BUSHING, SNAP(1/2")	2				
N/S	4970431	CABLE, PULLCORD(3/16")	A/R				
N/S	3973085	LIGHT, BUZZ(NOENGRAVING)	1				



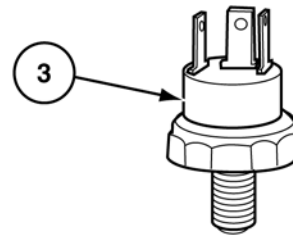
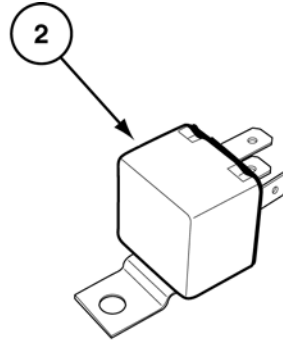
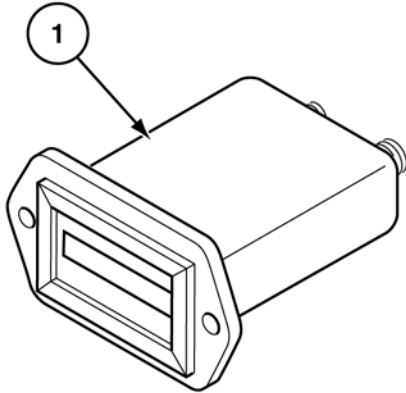
A



VIEW A

**INSTALL STAINLESS STEEL WHEEL INSERTS
CH-000-990-2212**

<i>ITEM</i>	<i>PARTNO.</i>	<i>DESCRIPTION</i>	<i>QTY</i>	<i>ITEM</i>	<i>PARTNO.</i>	<i>DESCRIPTION</i>	<i>QTY</i>
01	05402292	INSERT, 16" FORD 1604FOL8 (SET OF 4)	1				



REFER TO WIRING DIAGRAM FOR
WIRE ROUTING AND IDENTIFICATION

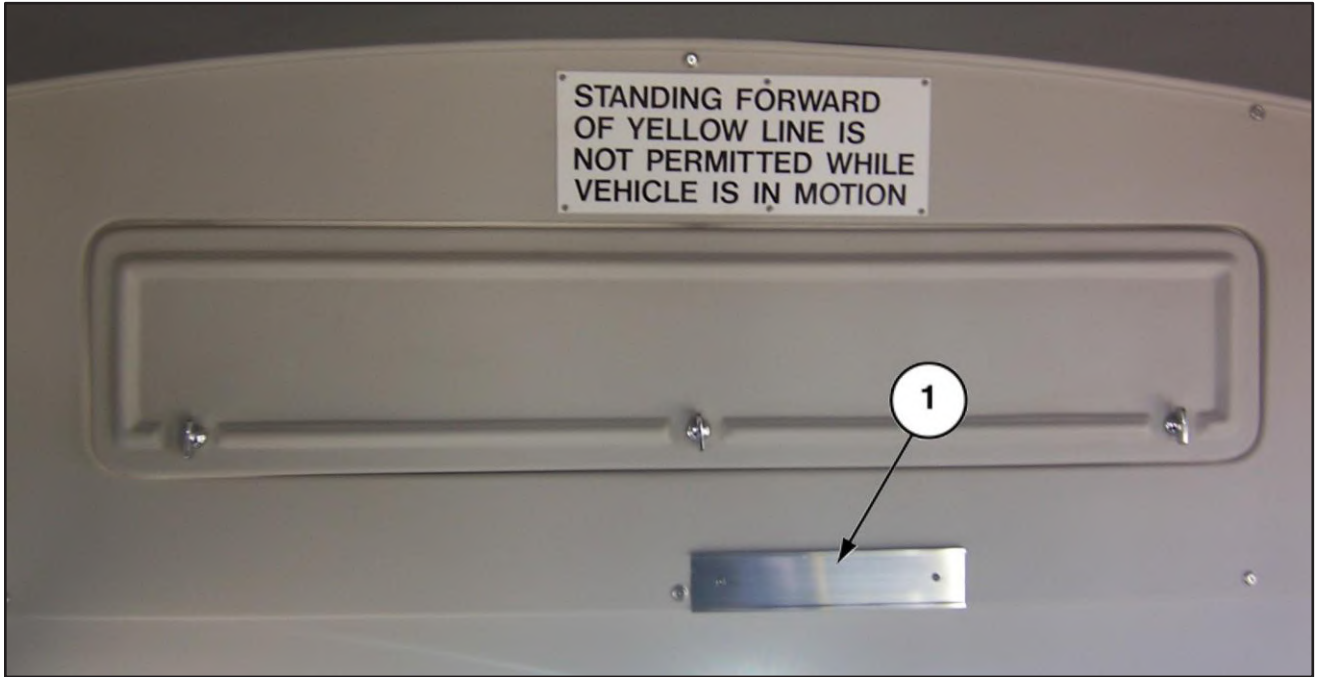
engine hour meter CX0000012955

<i>ITEM PART NO. DESCRIPTION</i>	<i>QTY</i>	<i>ITEM PART NO. DESCRIPTION</i>	<i>QTY</i>
01 3944741 Meter, Hour (331-020)	1		
2 3972006 Relay, 6V NO/NC Starter Lockout	1		
3 3971579 Switch, Oil Pressure	1		



quartz digital clock install
0404029 / cx0000020011

<i>ITEM</i>	<i>PART NO.</i>	<i>DESCRIPTION</i>	<i>QTY</i>	<i>ITEM</i>	<i>PART NO.</i>	<i>DESCRIPTION</i>	<i>QTY</i>
01	0404029	Install Clock Quartz LED Drivers	1				



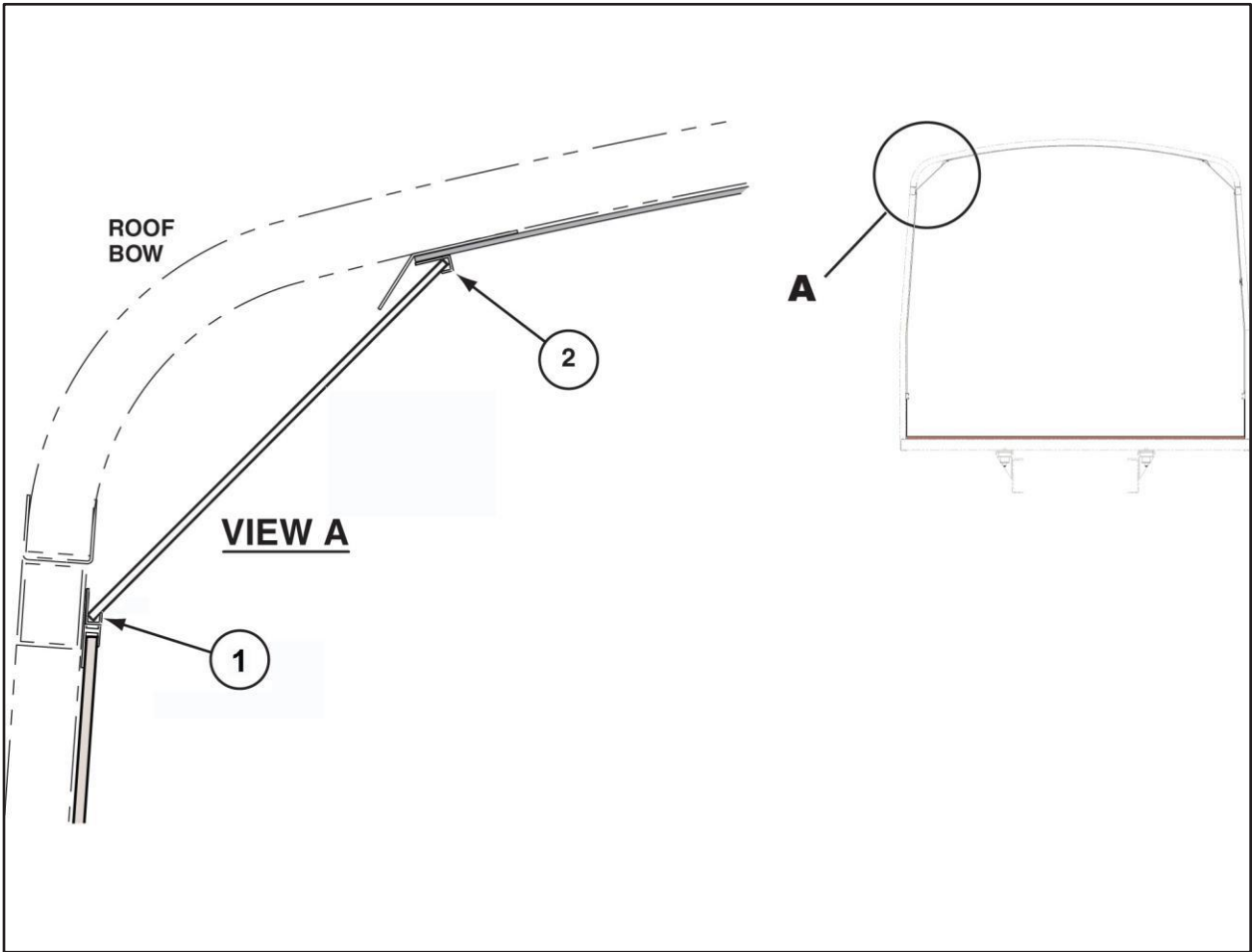
driver name plate holder
cx-000-900-0067

<i>ITEM PART NO. DESCRIPTION</i>	<i>QTY</i>	<i>ITEM PART NO. DESCRIPTION</i>	<i>QTY</i>
01 4970571 Holder, Driver Name Plate 2" x 10"	1		



**FRESNAL LENS
CX-000-900-3242**

<i>ITEM PART NO. DESCRIPTION</i>	<i>QTY</i>	<i>ITEM PART NO. DESCRIPTION</i>	<i>QTY</i>
01 5941612 Lens, Wide Angle Rear Window	1		



interior ad frames - wire bar
0404390

<i>ITEM PART NO. DESCRIPTION</i>	<i>QTY</i>	<i>ITEM PART NO. DESCRIPTION</i>	<i>QTY</i>
01 4570142 CAP,END "J".193/16x16' MILL FINISH	8		
02 4570140 CAP,END "J".19-3/16x16'#2900 MILL FIN	8		
N/S 8570412 RIVET,POP 1/8x.325-.500 GRP S/S	60		



ENTRY DOOR WIRELESS REMOTE
0413886 / CX0000015030

<i>ITEM PART NO. DESCRIPTION</i>	<i>QTY</i>	<i>ITEM PART NO. DESCRIPTION</i>	<i>QTY</i>
01 5370591 REMOTE, ENTRY DOOR WIRELESS	1		



**canadian dot package - FoRd F-550
cx0000070317**

<i>ITEM PART NO. DESCRIPTION</i>	<i>QTY</i>	<i>ITEM PART NO. DESCRIPTION</i>	<i>QTY</i>
0402777 INSTALL, CLEARANCE LITE RED 2.5" ROUND		0403305 INSTALL, BI-LINGUAL EXIT LABELS (CAN DOT)	
1 3971690 LIGHT, CLEARANCE 2.5" RED ROUND	2	NS 8970691 LABEL, EGRESS WINDOW SIGN BILINGUAL	2
2 3971691 GROMMET, MNT KIT 2.5" CLR LIGHT	2	NS 8970246 DECAL, BILINGUAL FRENCH EXIT DOOR	1
CX0000023102 INSTALL, SIDE DIRECTIONAL LIGHTS		CX-000-900-0416 DAYTIME RUNNING LIGHTS (CAN-DOT)	
3 3971879 LIGHT, SEALED SIDE MARKER/TURN AMBER	2	06 3971964 Module, Daytime Running Light CO/SO	1
05 3971517 P-CLAMP, VINYL COATED STEEL 5/8	3	NS 3971287 Fuse, 20 AMP ATO Blade Type	1
NS 3970068 REFLECTOR, RECTANGULAR TAPERED	2	NS 3970746 Connector, In-Line Fuse Holder	1
07 3974514 REFLECTOR, RECTANGULAR AMBER	2	NS 3970738 Cover, In-Line Fuse Holder	1
0418877 INSTALL, RED MARKER LIGHT		NS 3971528 Base, Relay Packard	1
04 3975255 LIGHT, RED MARKER	1	NS 3971529 Terminal, Relay Base	5
3974689 GUARD, LIGHT FRT CLEARANCE BLK METAL	1	NS 3942299 Terminal, Ring Insul 16-14GA #10	6
3975256 GUARD, RED MARKER LIGHT	1		



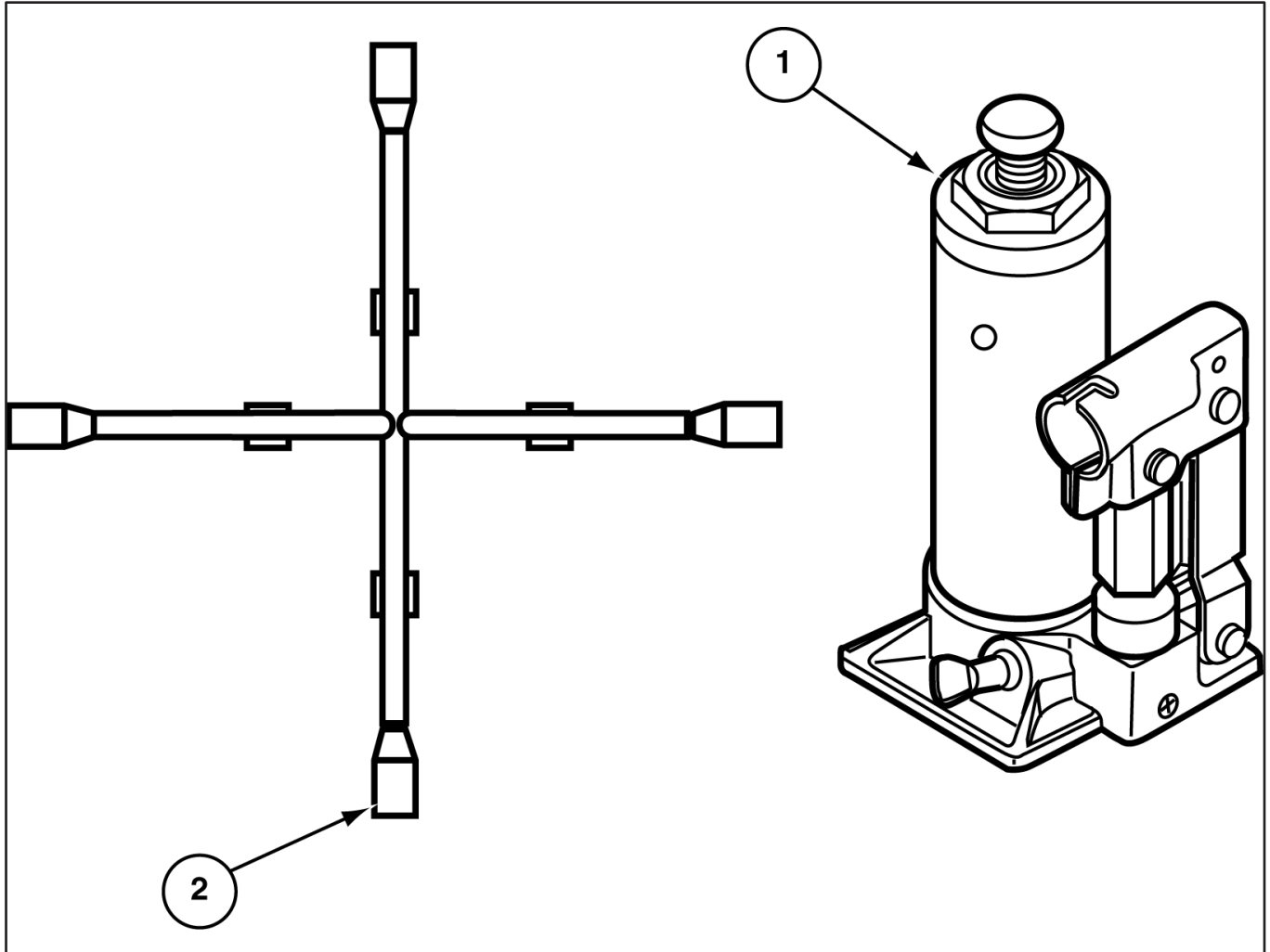
canadian dot package - ford dsl cx000fu70317

ITEM PART NO. DESCRIPTION	QTY	ITEM PART NO. DESCRIPTION	QTY
0402777 INSTALL, CLEARANCE LITE RED 2.5" ROUND		0402782 MANUFACTURER I.D. PLATE (METRIC)	
1 3971690 LIGHT, CLEARANCE 2.5" RED ROUND	2	NS 8970693 LABEL, COMPLINANCE BILINGUAL	1
2 3971691 GROMMET, MNT KIT 2.5" CLR LIGHT	2	0403305 INSTALL, BI-LINGUAL EXIT LABELS (CAN DOT)	
0402645 INSTALL, SIDE DIRECT LIGHTS		NS 8970690 LABEL, EGRESS WINDOW OPER BILINGUAL	4
3 3971879 LIGHT, SEALED SIDE MARKER/TURN AMBER	2	NS 8970695 LABEL, TRANSPEC 1100 ENGLISH/FRENCH	1
4 3970068 REFLECTOR, RECTANGULAR TAPE RED	2	NS 8970691 LABEL, EGRESS WINDOW SIGN BILINUAL	2
5 3971410 REFLECTOR, RECTANGULAR AMBER	2	NS 8970246 DECAL, BILINGUAL FRENCH EXIT DOOR	1
CX-000-900-0416 DAYTIME RUNNING LIGHTS (CA DOT)		NS 8970694 Label, Pass Cargo Capacity Bilingual	1
6 3971964 MODULE, DAYTIME RUNNING LIGHT	1	NS 0170998 Speedometer, Metric Canadian Ford	1
NS 3970738 COVER, IN-LINE FUSE HOLDER	1	-	-



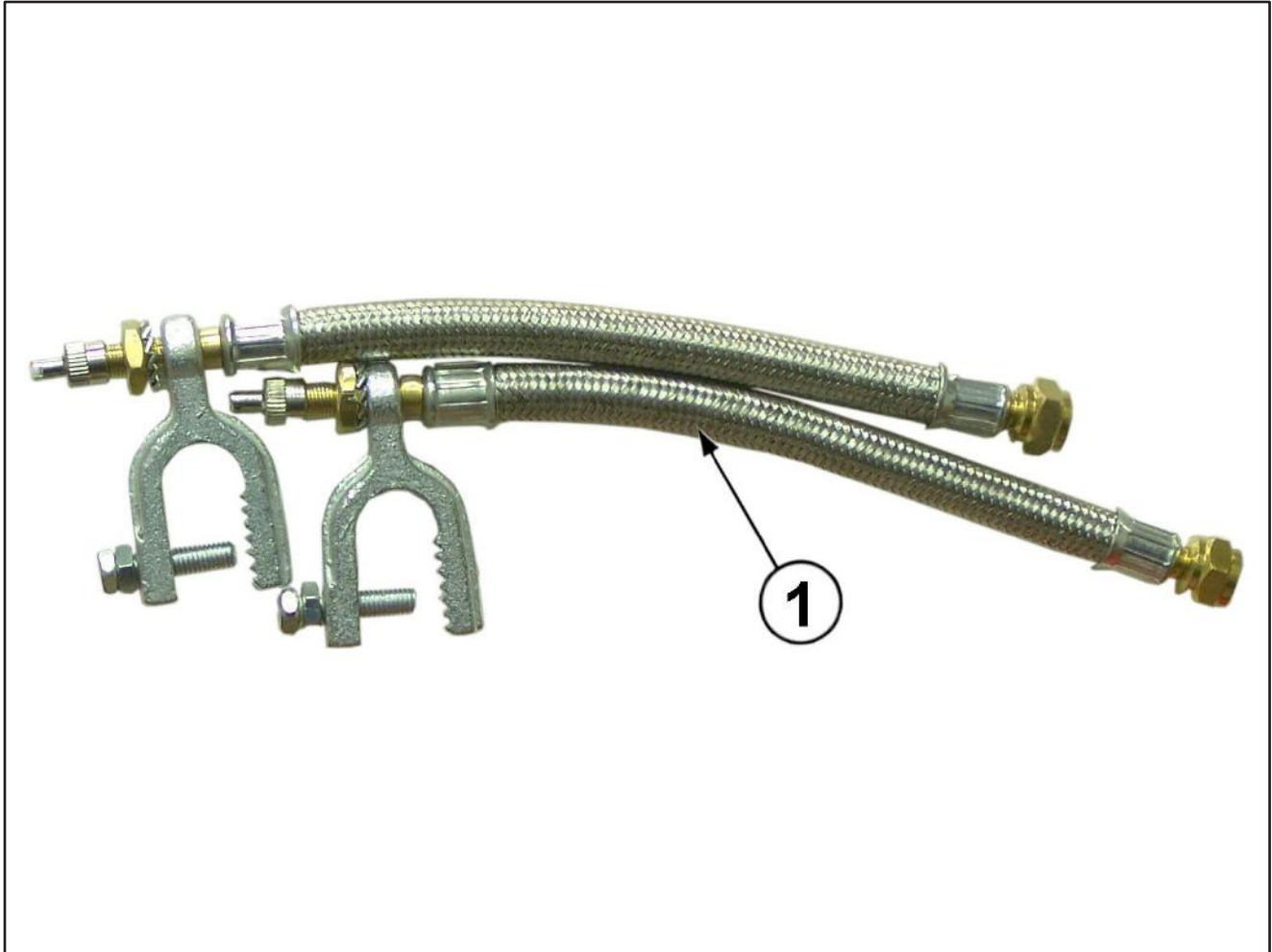
install, chain tire on-spot 2008 0416697

<i>ITEM PART NO. DESCRIPTION</i>	<i>QTY</i>	<i>ITEM PART NO. DESCRIPTION</i>	<i>QTY</i>
1 0570204 Chain, On-Spot Tire 2008 Ford E-450	1		
2 0570205 Bracket, On-Spot Tire Chain Ford	1		
3 0570189 Compressor, Air Pump & Tank	1		



Jack & Lug wrench mounted (ford) cxfp10066

<i>ITEM PART NO. DESCRIPTION</i>	<i>QTY</i>	<i>ITEM PART NO. DESCRIPTION</i>	<i>QTY</i>
1 0373939 Jack, 6 Ton Hydraulic	1		
2 0570089 Wrench, 4-Way Lug	1		
NS 7371901 Clip, Gripper Large	2		
NS 4970563 Guide, Pull Chord Stamped 90 Deg	2		



valve stem extension 0413016

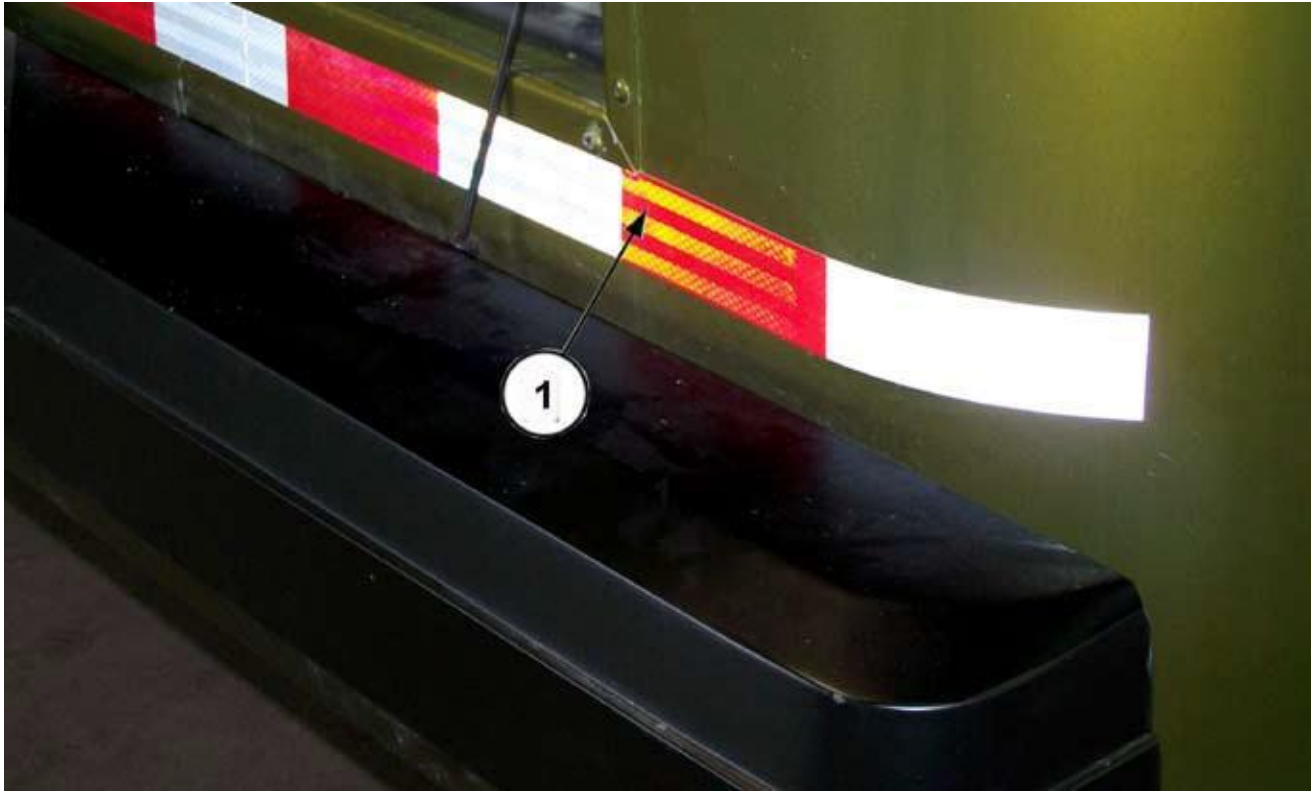
<i>ITEM PART NO. DESCRIPTION</i>	<i>QTY</i>	<i>ITEM PART NO. DESCRIPTION</i>	<i>QTY</i>
01 0570170 Extension, Valve Stem Dual S/S	1		
0570137 Extension, Valve Stem	2		



Install stop request push button

0407645

ITEM	PART NO.	DESCRIPTION	QTY	ITEM	PART NO.	DESCRIPTION	QTY
01	3972467	Push Button, Stop Request	1				



conspicuity tape 2"

0410146

ITEM	PART NO.	DESCRIPTION	QTY	ITEM	PART NO.	DESCRIPTION	QTY
01	8970954	Tape, Conspicuity Red/Wite 2 x 150	A/R				

BILL OF MATERIAL - GSA-HL256 PASCO, WA (ROHRER BUS)**UNIT #24457**

Item/Components	Description	Qty Per	U/M
0403063	INSTALL,ACCESS PORT 5.0 NORTH	1	EA
0403274	INSTALL,DOOR FUEL FILL FORD/CTS ASSY	1	EA
0404379	INSTALL,EXTERIOR STD BKWALL LIGHTS ALL 4	1	EA
0405400	INSTALL,SKIRT PAN METAL DF270	1	EA
0406333	INSTALL,LIGHT CLEARANCE AMBER(FED MOGUL)	5	EA
0406553	WINDOW,REAR 22 X 60 CH-D-T 4DEG ASSEMBLY	1	EA
0408312	INSTALL,DECALS CHAMPION	1	EA
0408551	INSTALL,MUD FLAP 20 X 28 W/O LOGO	1	EA
0410363	INSTALL,KICKPANEL FIBER TRUE GRIT DF30'	1	EA
0410505	CEILING,CARLSBAD SMOKE DF270	1	EA
0410506	INTERIOR,LONDON SMOKE DF270	1	EA
0413402	INSTALL,LIGHTBAR LONDON SMOKE 27-31'	1	EA
0419108	INSTALL,STEPWELL 34.25 PWDR F-550	1	EA
0419111	INSTALL,RUNNING BOARD DRIVERS F-550	1	EA
0419455	INSTALL,GAS COVER FILL F-550 DIESEL	1	EA
0419478	BACKER,GAS DEF FILLER F-550	1	EA
0420253	INSTALL,A/C 120K BTU ACT-91323 W/HEAT F5	1	EA
0420454	GROUND STRAP GSA	1	EA
0420497	WHITE STEP EDGE 30" DOOR RCA 4 STEPS	1	EA
0420519	INSTALL,SPEAKERS INTERIOR 4 REI	1	EA
0420539	INSTALL,SPEAKERS INTERIOR REI	2	EA
0420545	INSTALL,ROOF TEKOTO (1) PC 27'	1	EA
0420659	BUMPER REAR FORD F550 STD ASSEMBLY	1	EA
0420732	HANGER,DRIVE SHAFT ASSY F550	1	EA
0421719	INSTALL,RADIO PKG W/15.4"FLIP & 20"WALL	1	EA
5340393	LOCK,KEYED ASSEMBLY	1	EA
0409483 REV-C	STANCHION,ENTRY DOOR ABS 2002 ALL NORTH	1	EA
0410556-GSA	INSTALL,STORAGE BOX WATERPROOF W/KEY LOC	1	EA
0422651 REV-A	INSTALL,PARCEL RACK OVERHEAD DF270 AP	1	EA
CH0000012980	TOW HOOKS REAR	1	EA
CH0000022810	DEFROST FAN, (EACH)	1	EA
CH-000-900-1825E	RIGHT HAND GRAB RAIL ELECTRIC DOOR	2	EA
CH-000-900-3161	CIRCUIT BREAKERS INSTEAD OF FUSES CH/CR	1	EA
CH-000-999-S3122	SINGLE STEPWELL LIGHT	1	EA
CX0000020128	INSTALL,GROMMETS FLOOR PASS THROUGH	1	EA
CX0000023097 REV-A	DOOR,ACTUATED DOME LIGHT	1	EA
CX0000023102	SIDE DIRECTIONAL LIGHTS	1	EA
CX0000040163	INSTALL,1/2" BALL VALVE FOR 5/8 HTR HOSE	1	EA
CX0000072809	MIRROR 6" X 16" INTERIOR CH-CR-DF	1	EA
CX0000075405	SAFETY PACKAGE 3	1	EA
CX-000-900-3121	ELECTRIC HEATED ENTRANCE STEP (EA STEP)	1	EA
CX-000-900-4015	SEAT BELT RETRACTABLE 2PT	24	EA
CX000F523236	INSTALL,BATTERY BOX W/SS TRAY SLIDE DSL	1	EA
DF000ND22826	REAR CENTER BRAKE LIGHT CH-CT-CR-DF	1	EA
DF24457W	WINDOW PACKAGE UNIT 24457	1	EA
DF2700030028	FLOOR FULL RUBBER BLACK DF270-273	1	EA

BILL OF MATERIAL - GSA-HL256 PASCO, WA (ROHRER BUS)

UNIT #24457

DF2700053250	INSTALL,DRIP CAP LARGE 1.25" WHITE	1	EA
DF-270-900-2010	TRACK SEATING - ENTIRE BUS DF270	1	EA
DF-270-999-0057	GALVANIZED METAL EXTERIOR	1	EA
DF-270-999-1221	INTERIOR LIGHTING 12V DOME DF270 ASM	1	EA
DF270F5-24457	DF270AP,189" WB X 6.7, GSA HL256		
FD-000-999-3090	FLAT BACK REAR END 94" F-550	1	EA
FD-000-999-5251	EXHAUST EXIT REAR & STREET SIDE DIESEL	1	EA
FD-270-000	DEFENDER,27' 189" BASE CONFIG F-550	1	EA
FD-270-900-0409E	DOOR 30" ELECTRIC 27' DEF A/P F-550	1	EA