



CHAMPION
BUS, INC.

Wholly owned subsidiary of Thor Industries, Inc.

PARTS CATALOG

Model: Challenger
Model Year: 2013



P.O. Box 158 • Imlay City, MI 48444

(800) 331-5761

To the Customer,

Congratulations on your new Champion Bus, Inc. bus. If this is your first, let me extend a warm welcome to the Champion Bus family. If you are one of the many Americans and Canadians for whom Champion Bus ownership has become a tradition, we believe that your new Champion Bus will surpass your high expectations for a motor coach. It's no exaggeration to say that your new Champion Bus represents major improvements in design and construction since the company began making buses.

Please take a few minutes to acquaint yourself with your new coach. In this manual, along with the chassis, and other O.E.Ms., you will learn a great deal about your new vehicle and any options it may have. If you have additional questions, don't hesitate to call your Champion Bus, Inc. dealer or our service department in Michigan at:

(810-724-6474 or 800-331-5761).

Please count on us to deliver the unparalleled support you should expect as a Champion Bus, Inc. bus owner.

Sincerely yours,

A handwritten signature in black ink, appearing to read "John Resnik". The signature is fluid and cursive, with a long horizontal stroke at the beginning.

John Resnik
President, Champion Bus, Inc

About this manual...

This parts catalog identifies service replacement parts for a Champion Bus, Inc.'s bus. It has been edited to a particular model, optional equipment and design configuration. Information in this manual is listed in sections. These sections include; Frame Structures, Exterior Trim, Interior Trim, Doors, Windows, Lights, Heating & Cooling, Options and more...

Use the Bookmark Tab to navigate through the manual or you can use the "Find" command to search for a particular installation or part.

Parts Ordering Instructions...

All orders and inquiries must include: Customer, the Unit's Number and Serial Number, Part Number, description of part as shown on parts list and quantity required. Address all correspondence to the following addresses or Fax number.

Mail:	Rohrer Enterprises, Inc.. 1515 State Road, P.O. Box 100 Duncannon, PA 17020-0100	
Phone:	(800) 735-6700 (717) 957-4774	
Fax:	(717) 957-3897	
Parts Dept:	Parts Manager Parts Specialist	Ext 254 (partsmanager@rohrerbus.com) Ext. 242 (parts3@rohrerbus.com)
Warranty Dept.	Warranty Administrator Warranty Support Warranty Support	Ext. 237 (support@rohrerbus.com) Ext. 212 (support2@rohrerbus.com) Ext. 258 (support1@rohrerbus.com)

General Notes:


1. This catalog contains most of the parts required from a production build. If parts other than those cataloged are required, please provide the bus unit number and serial number, plus a complete description of the parts that are not cataloged.
2. The replacement parts listed on this CD are "Factory-Authorized Parts" .
3. If ordering full assemblies, all parts shown are shipped assembled or separately.
4. As Required parts are to be ordered by specific measurement.
5. The following letter designations are used to classify parts throughout this manual:
A/R = As Required, NSS = Not Sold Separately, N/S = Not Shown, REF = For Reference Only

How to Read the Page...

Parts at Champion Bus, Inc. are organized in assembly numbers (ie. 0416278). The assembly number displayed on the page is a combination of attached parts logically grouped together. This is translated to the pages of our catalogs/manuals. Below is an explanation of what this means to you.

1. Designates Champion Bus
2. Section Number and Description
3. Picture of Assembly
4. Summary of Assembly
5. Assembly Number and Description
6. Item Number, Corresponding with Picture
7. Part Number
8. GCA/CBI Part Description
9. Quantity of Parts within Assembly
10. Notes, if needed
11. Latest Revision Date
12. Page Number
13. Name of Book

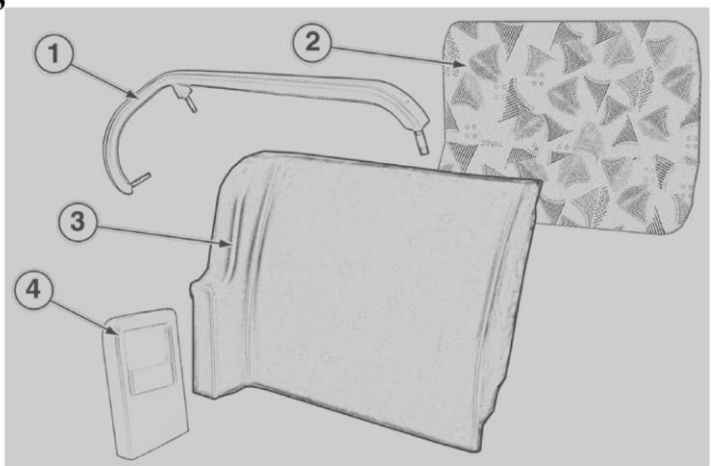
1



2

Section - 4 Interior

3



4

R/S MODESTY PANEL & GRAB HANDLE

ITEM	PART NO.	DESCRIPTION	QTY
5	0416278	Driver's Side Modesty Panel	
6	7	8	9
01	0378619	Grabrail, Driver's Modesty Panel	1
02		Fabric, Modesty Panel	1
03	3371817	Panel, Modesty D/S - SR	1
04	3371816	Panel, Modesty D/S STACKED RAIL	1

10 Fabric Panels are Produced on an "As Call" Basis. Contact your Dealer to Order This Part.

11 Revised: 12/07

12 Page: 4-3

13 ABC 3035 Parts Catalog

CONTENTS

Section 1.....	Frame & Structure
Section 2.....	Exterior
Section 3.....	Interior
Section 4.....	Electrical
Section 5.....	Doors
Section 6.....	Windows
Section 7.....	Lighting
Section 8.....	Heating & Cooling
Section 9.....	Seats
Section 10.....	Safety & Decals
Section 11.....	Optional Equipment



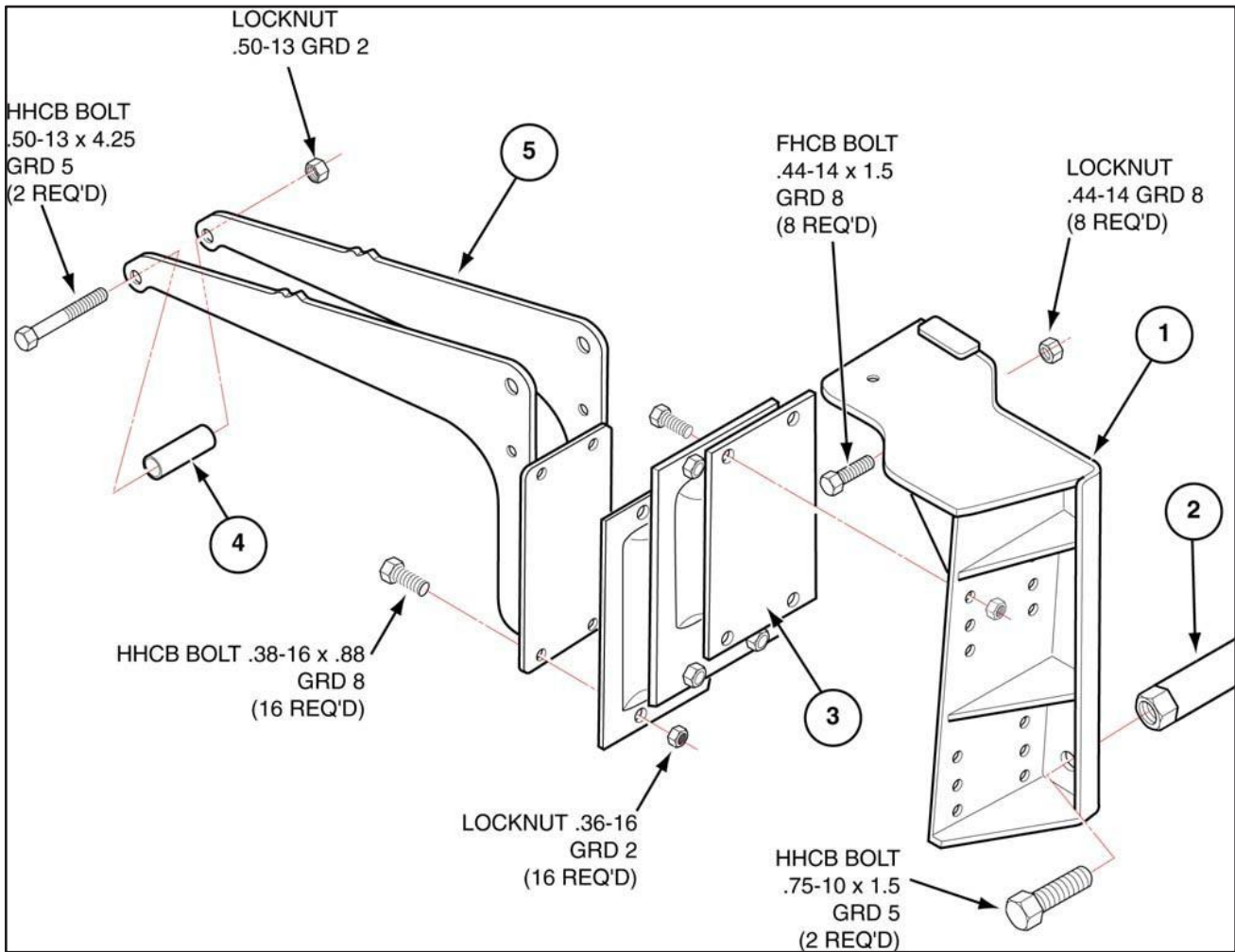
CHAMPION

BUS, INC.

Thor Industries Commercial Bus Division

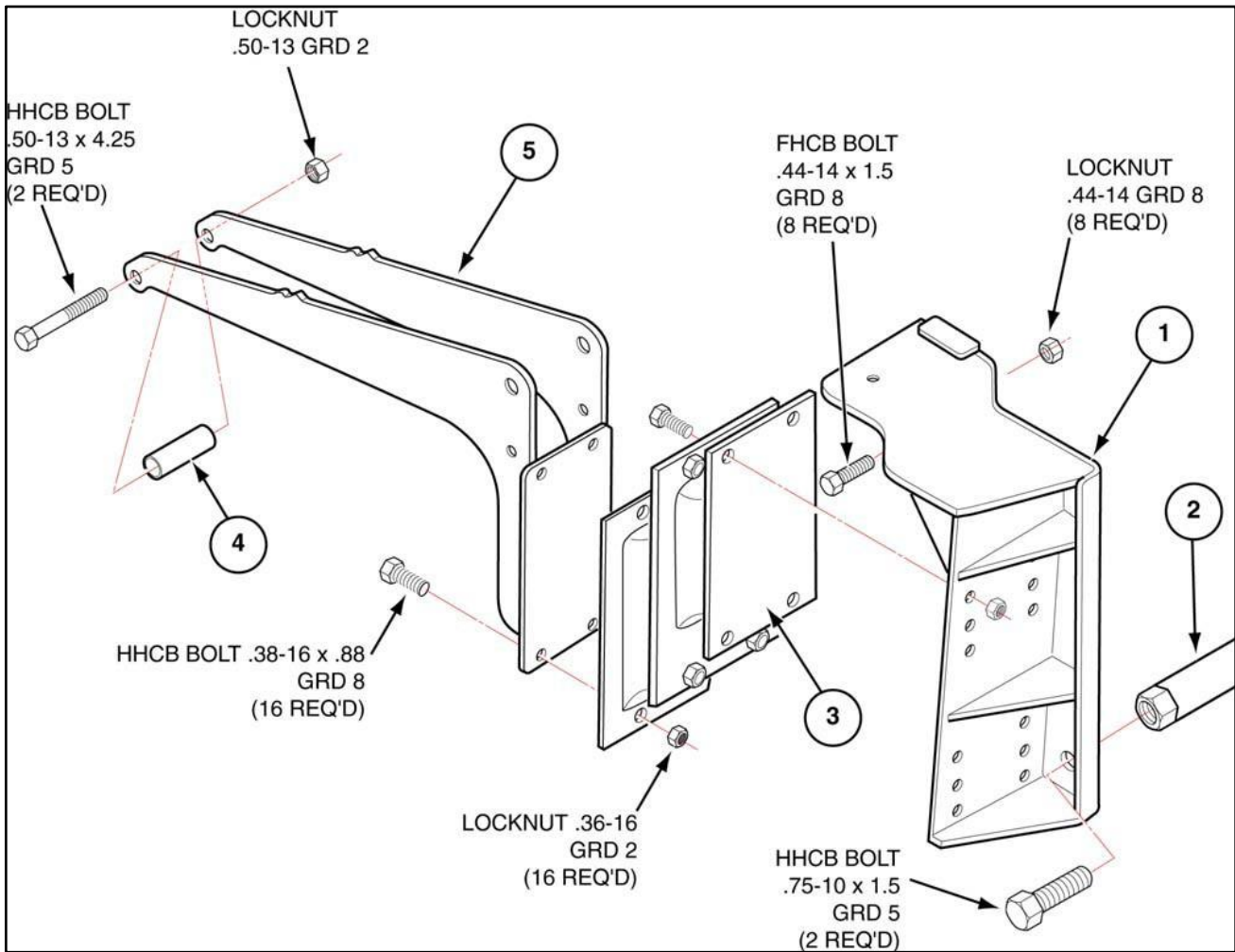
SECTION 1:

FRAME & STRUCTURE



SuSpension, Mor-ryde - gMt560
gM000gu10065 / gM000gX10065 / 0409154

<i>ITEM</i>	<i>PART NO.</i>	<i>DESCRIPTION</i>	<i>QTY</i>	<i>ITEM</i>	<i>PART NO.</i>	<i>DESCRIPTION</i>	<i>QTY</i>
1	0170947	Suspension, Mor/Ryde (GM)	1	0409154	Spacer Spring Rear Chevy		
2	RL11-064L	Hanger Assy, Frame (R/S)	1	NS 0376854	Shim, Spring Chevy (Curbside)		1
	RL11-064R	Hanger Assy, Frame (C/S)	1				
3	RL32-007	Tube Assy, 28" Member	2				
4	1014593	Rubber Spring Assembly	2				
04	RL131-013	Sleeve, Spacer (3.06")	2				
05	RL24-052L	Carrier Assy, Spring (C/S)	1				
	RL24-052R	Carrier Assy, Spring (R/S)	1				



SuSpension, Mor-ryde - gMt560

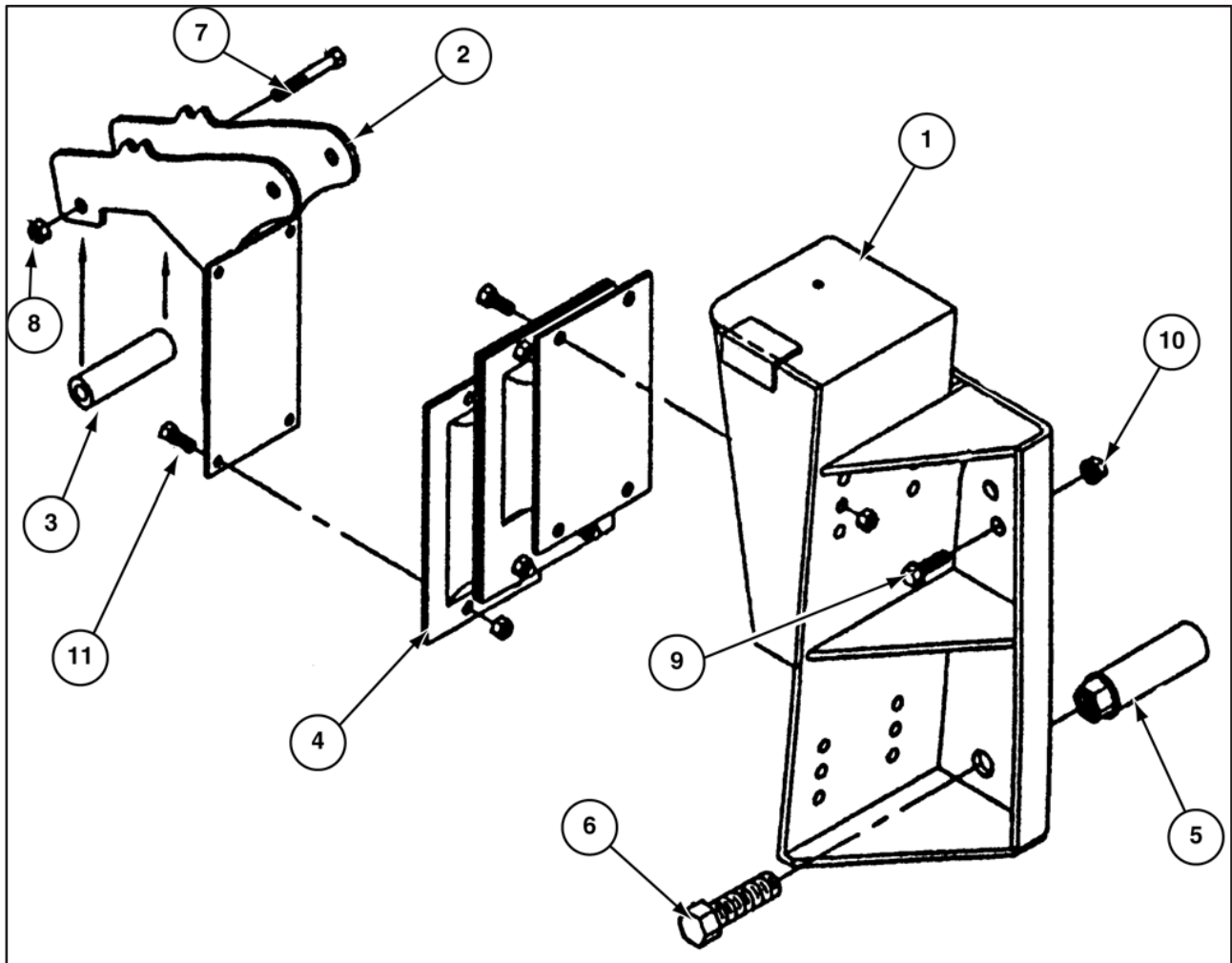
gM000gH10065 / GM000GV10065

<i>ITEM PART NO.</i>	<i>DESCRIPTION</i>	<i>QTY</i>	<i>ITEM PART NO.</i>	<i>DESCRIPTION</i>	<i>QTY</i>
1	0170947 Suspension, Mor/Ryde (GM)	1	0409154	Spacer Spring Rear Chevy	
2	RL11-064L Hanger Assy, Frame (R/S)	1	NS 0376854	Shim, Spring Chevy (Curbside)	1
	RL11-064R Hanger Assy, Frame (C/S)	1			
3	RL32-007 Tube Assy, 28" Member	2			
4	1014593 Rubber Spring Assembly	2			
04	RL131-013 Sleeve, Spacer (3.06")	2			
05	RL24-052L Carrier Assy, Spring (C/S)	1			
	RL24-052R Carrier Assy, Spring (R/S)	1			

**picture not Available at
this time**

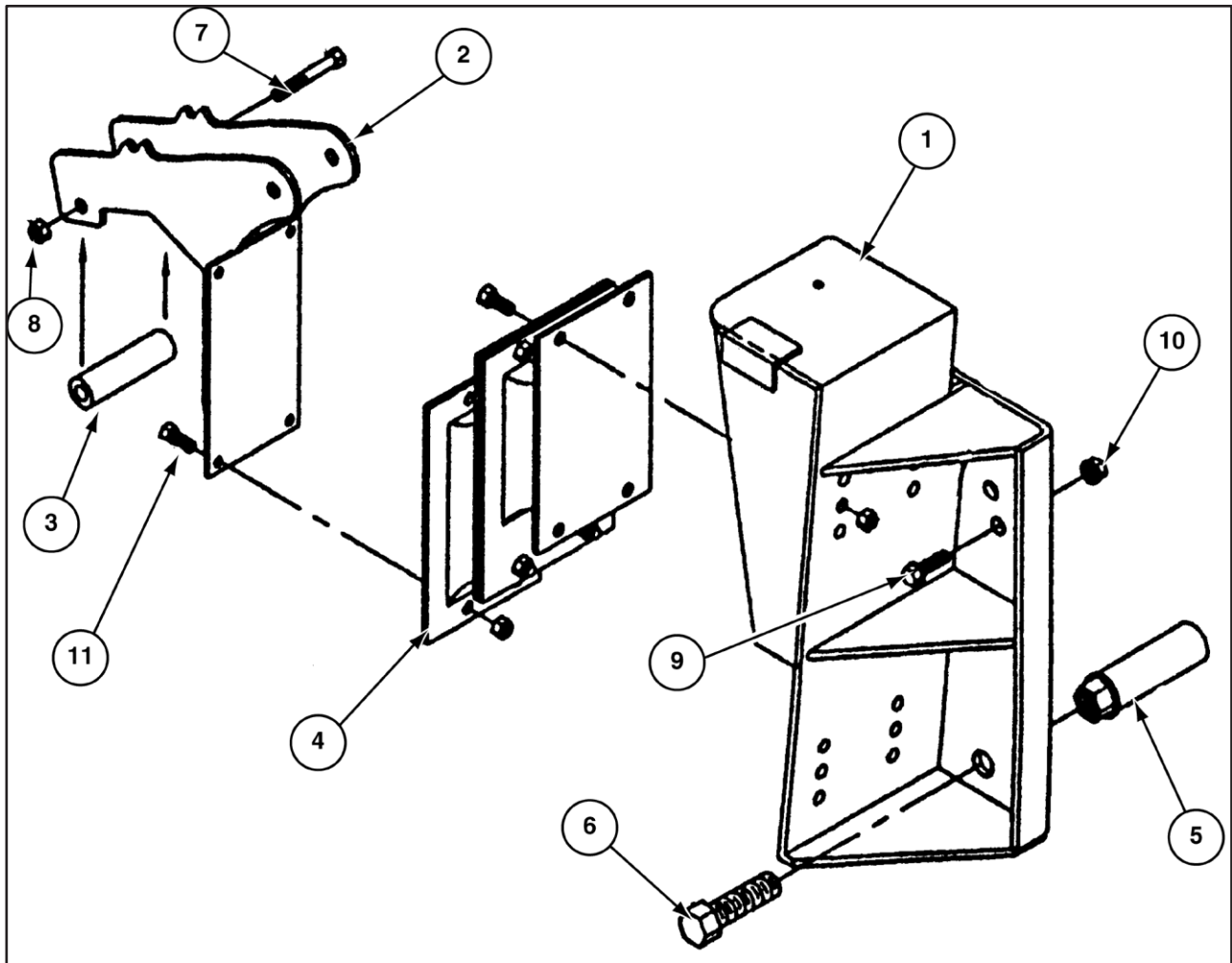
**Mor/ryde Front SuSpension gMt560
gM000gt10064 / gM000gK10064 / gM000gQ10064**

<i>ITEM PART NO. DESCRIPTION</i>	<i>QTY</i>	<i>ITEM PART NO. DESCRIPTION</i>	<i>QTY</i>
NS 0170979 Suspension, Mor/Ryde Front GMT	1		
NS 0170980 Bracket, Suspension Mor/Ryde	1		
NS 0410557 Install, Battery Box with Kwikkee Tray	1		
NS 0770075 Insulation, Exhaust 1/4" Silica x 12	1		
NS 3974763 Tie Wrap Thermal 14"	1		



mor/ryde suspension gm610
gm000ga10067 - 0170949, 0409154

<i>ITEM PART NO. DESCRIPTION</i>	<i>QTY</i>	<i>ITEM PART NO. DESCRIPTION</i>	<i>QTY</i>
0170949 Suspension Assy, Mor/Ryde			
1 RL11-036L Hanger Assy, Frame (LH)	1	06 UO115-021 Bolt (.75-10 x 1.5) HHCB GR5	2
RL11-036R Hanger Assy, Frame (RH)	1	07 UO115-135 Bolt (.50-13 x 4.25) HHCB GR5	2
2 RL24-030L Carrier Assy, Spring (LH)	1	08 TO116-001 Nut, Hex Lock (50-13) GR2	2
RL24-030R Carrier Assy, Spring (RH)	1	09 M0115-013 Bolt (.44-14 x 1.5) FHCB GR8	12
03 RL131-013 Spacer, Sleeve (3.06")	2	10 UO116039 Nut, FL Lock (.44-14) GR8	12
4 MO25-007 Spring Assy, Rubber	2	11 UO115-011 Bolt (.38-16 x .88) HHCB GR8	16
5 RL32-001 Tube Assy, X-Member	1	UO116-002 Nut, Hex Lock (.38-16) GR2	16
		0409154 Spacer Spring Rear Chevy	
		NS 0376854 Shim, Spring Chevy (Curbside)	1



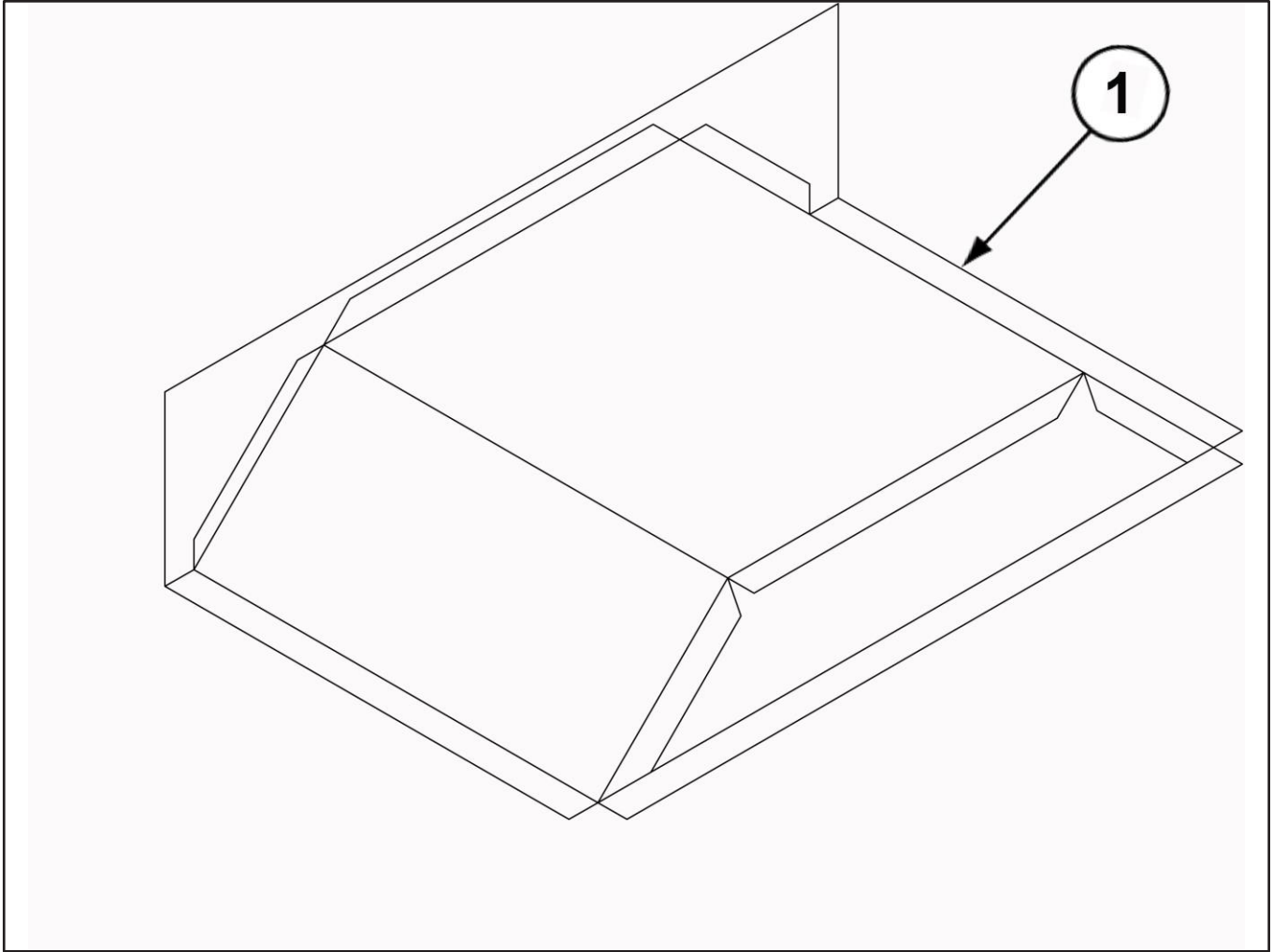
mor/ryde suspension gm610 (reAr)
gm000gj10067 / GM000GB10067 - 0170949, 0409154

ITEM PART NO.	DESCRIPTION	QTY	ITEM PART NO.	DESCRIPTION	QTY
0170949 Suspension Assy, Mor/Ryde					
1	RL11-036L Hanger Assy, Frame (LH)	1	06	UO115-021 Bolt (.75-10 x 1.5) HHCB GR5	2
	RL11-036R Hanger Assy, Frame (RH)	1	07	UO115-135 Bolt (.50-13 x 4.25) HHCB GR5	2
2	RL24-030L Carrier Assy, Spring (LH)	1	08	TO116-001 Nut, Hex Lock (50-13) GR2	2
	RL24-030R Carrier Assy, Spring (RH)	1	09	M0115-013 Bolt (.44-14 x 1.5) FHCB GR8	12
03	RL131-013 Spacer, Sleeve (3.06")	2	10	UO116039 Nut, FL Lock (.44-14) GR8	12
4	MO25-007 Spring Assy, Rubber	2	11	UO115-011 Bolt (.38-16 x .88) HHCB GR8	16
5	RL32-001 Tube Assy, X-Member	1		UO116-002 Nut, Hex Lock (.38-16) GR2	16
0409154 Spacer Spring Rear Chevy					
	NS 0376854 Shim, Spring Chevy (Curbside)	1			



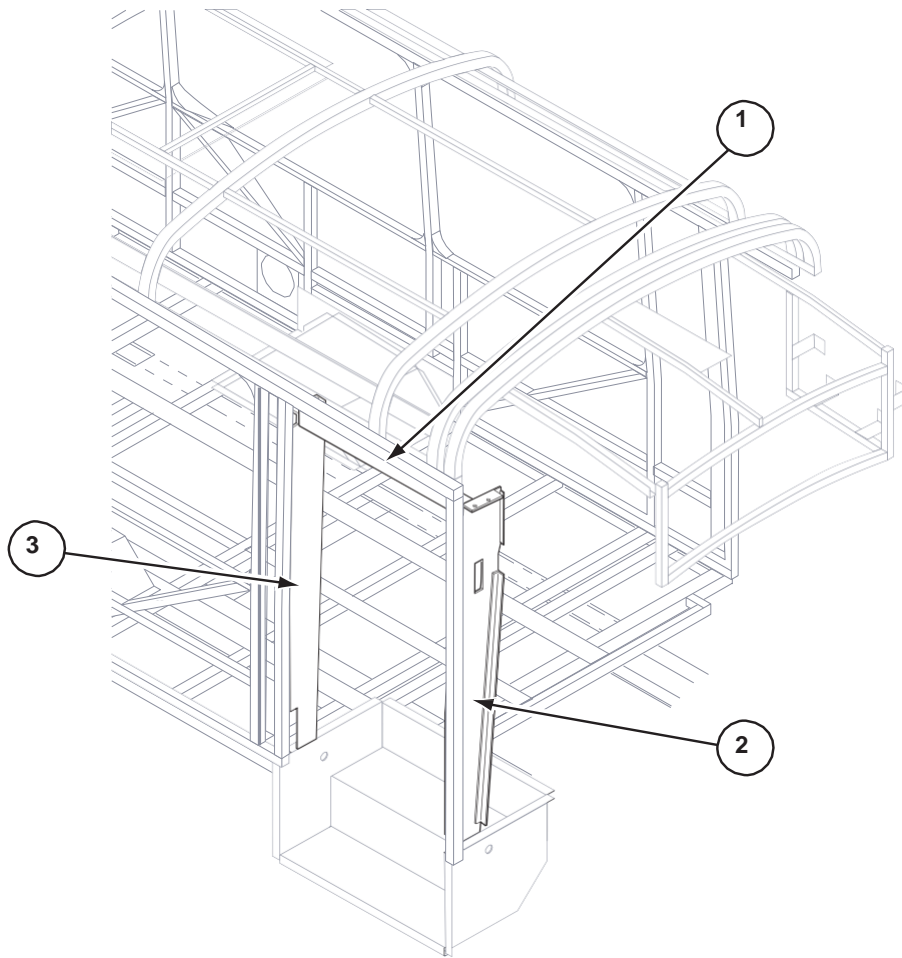
**GROMMETS - FLOOR PASS THROUGH
CX0000020128**

<i>ITEM</i>	<i>PART NO.</i>	<i>DESCRIPTION</i>	<i>QTY</i>	<i>ITEM</i>	<i>PART NO.</i>	<i>DESCRIPTION</i>	<i>QTY</i>
01	3971515	Grommet, 2-1/8" x 1-3/16" ID	3				



**wheelwell 14 GAIVANIZeD Ch
0379103**

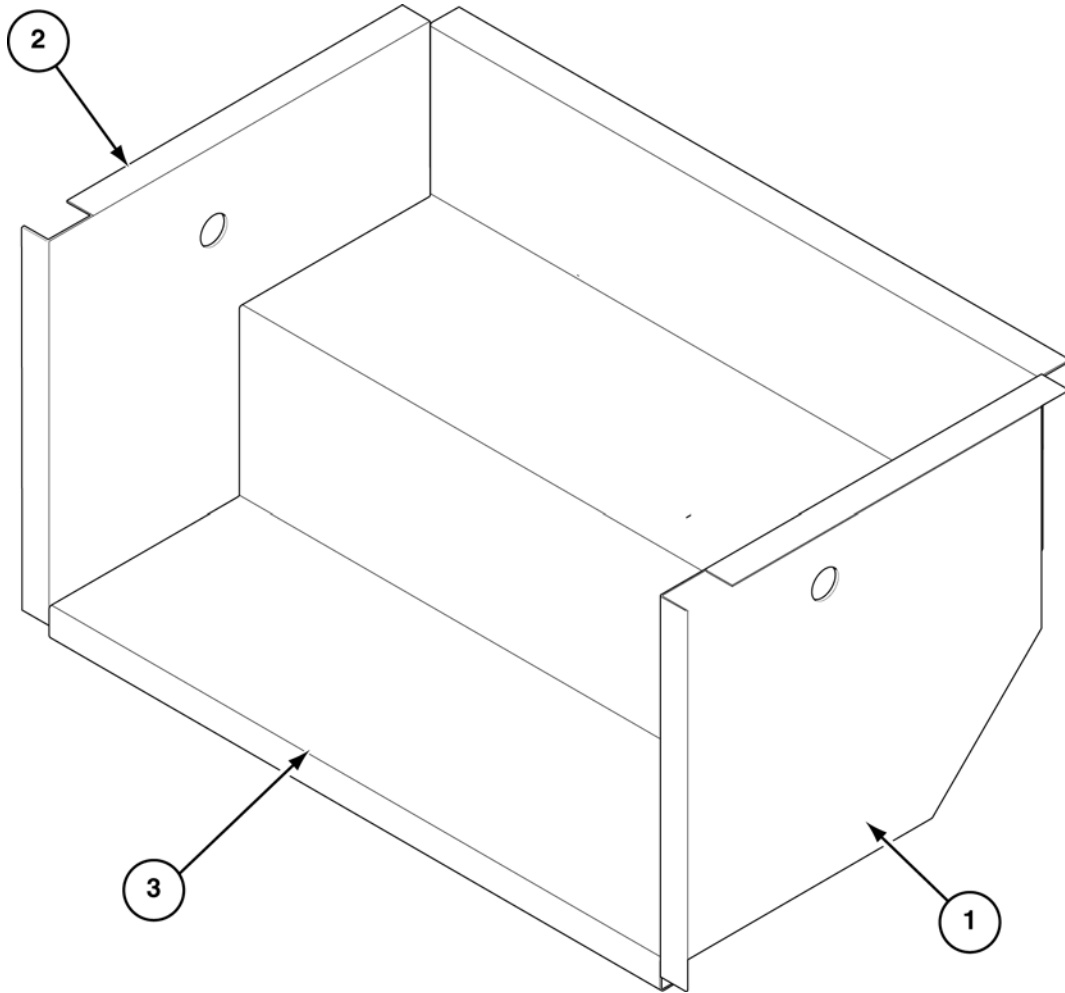
<i>ITEM PART NO. DESCRIPTION</i>	<i>QTY</i>	<i>ITEM PART NO. DESCRIPTION</i>	<i>QTY</i>
01 0379103 Wheelwell, CH/Ford 14GA Galvanized 2			



30" ENTRY DOOR OPENING FRAME

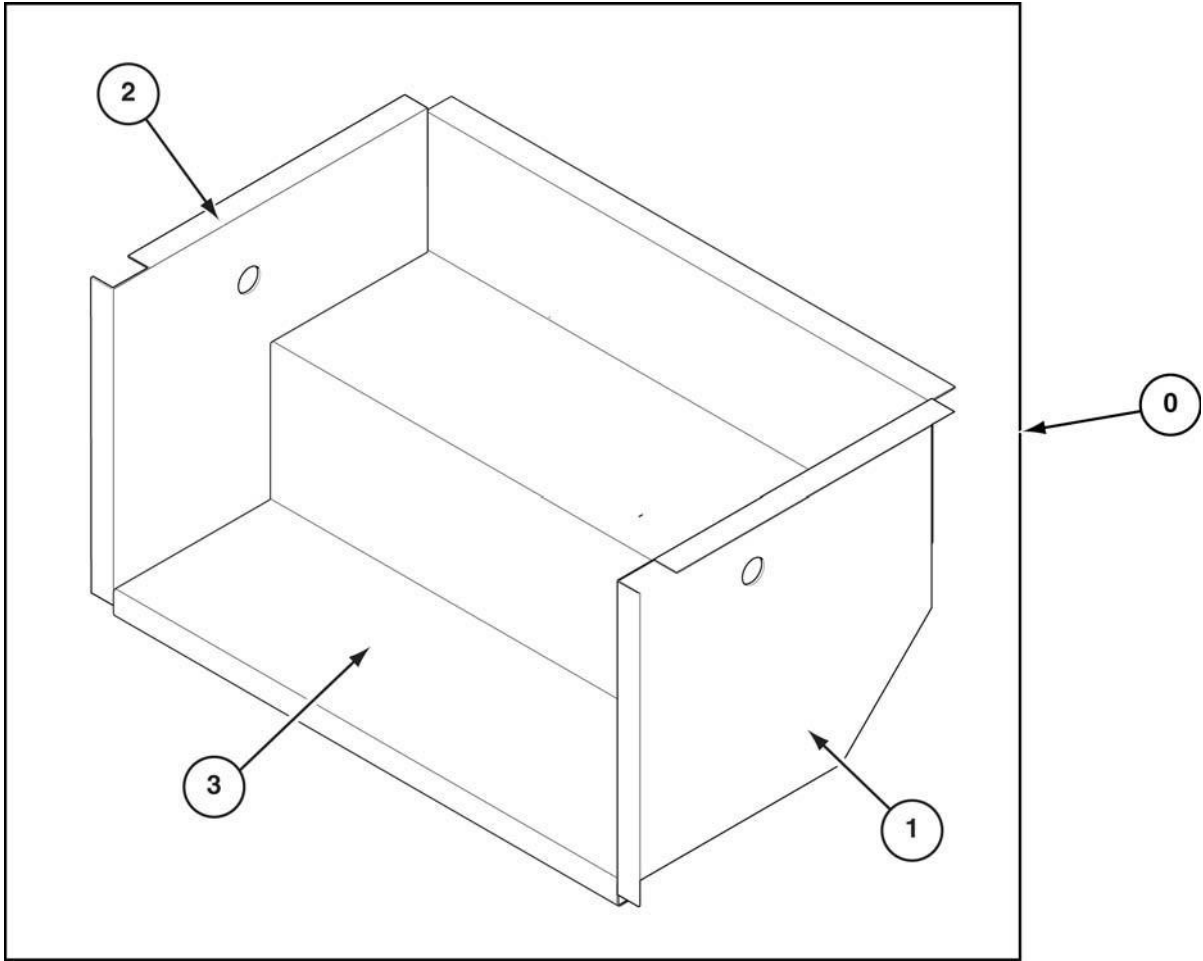
0406590 - GM-271-903-0409

<i>ITEM PART NO. DESCRIPTION</i>	<i>QTY</i>	<i>ITEM PART NO. DESCRIPTION</i>	<i>QTY</i>
01 0376285 HEADER, 34¼" DOOR	1		
2 0376283 WING, ENTRY DOOR OPENING FRONT	1		
3 0376284 WING, ENTRY DOOR OPENING REAR	1		
N/S 3371554 CAP, REAR WING	1		
N/S 3371572 CAP, FRONT WING	1		



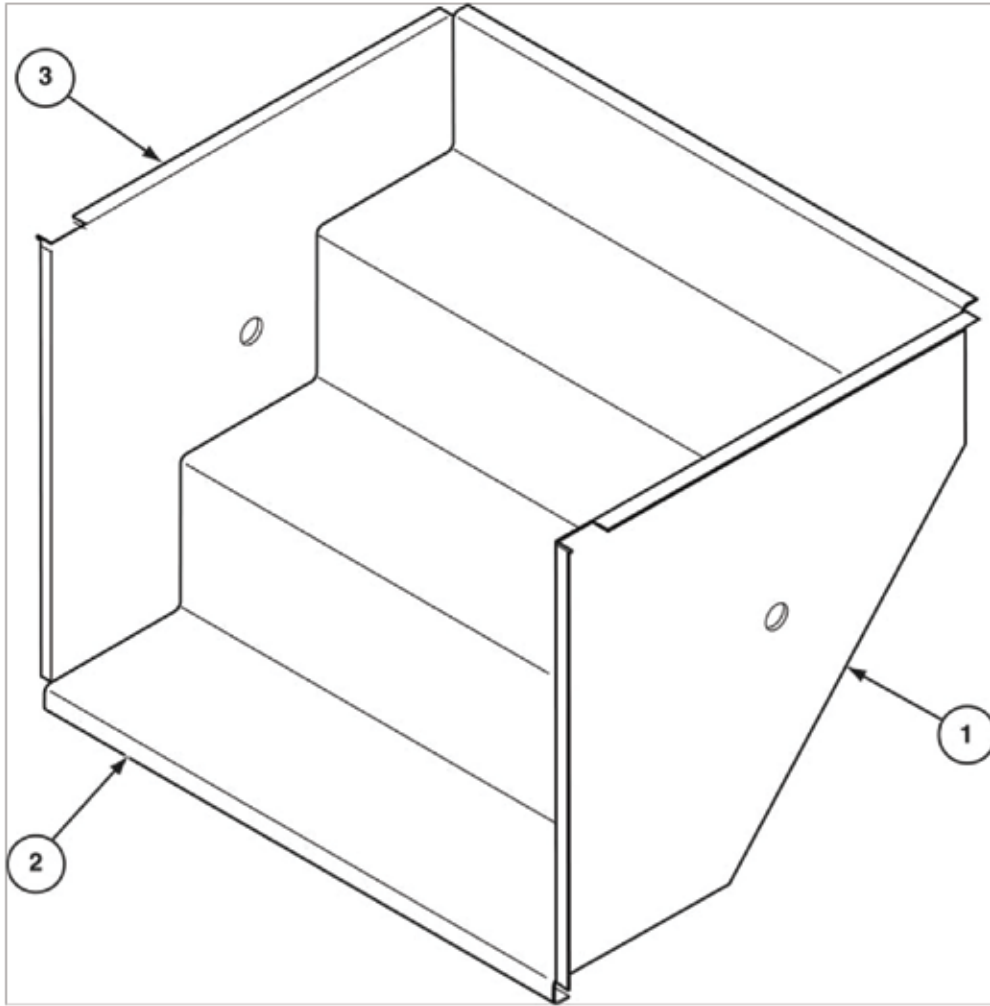
STEPWELL
0407141

<i>ITEM</i>	<i>PARTNO.</i>	<i>DESCRIPTION</i>	<i>QTY</i>	<i>ITEM</i>	<i>PARTNO.</i>	<i>DESCRIPTION</i>	<i>QTY</i>
01	0376479	SIDE, STEPFRONT	1				
02	0376480	SIDE, STEPREAR	1				
03	0376478	STEP	1				



34 1/4" STEPWELL
0406389

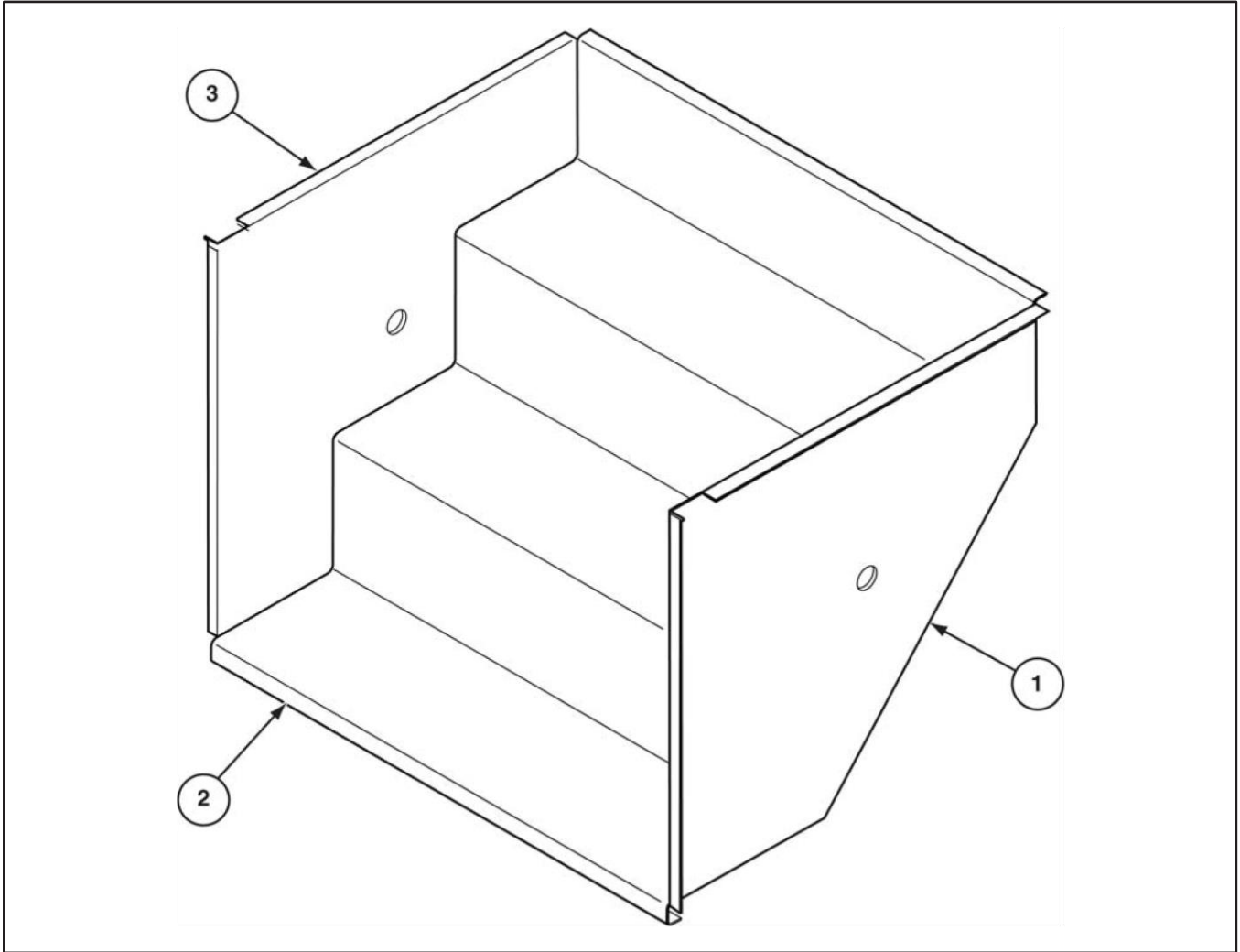
<i>ITEM</i>	<i>PART NO.</i>	<i>DESCRIPTION</i>	<i>QTY</i>	<i>ITEM</i>	<i>PART NO.</i>	<i>DESCRIPTION</i>	<i>QTY</i>
1	0377936	STEPWELL ASSEMBLY, POWDER COATED	1				
2	0376272	SIDE, STEP FORWARD	1				
3	0376273	SIDE, STEP REAR	1				
03	0376271	STEP	1				



34 1/4" stepwell

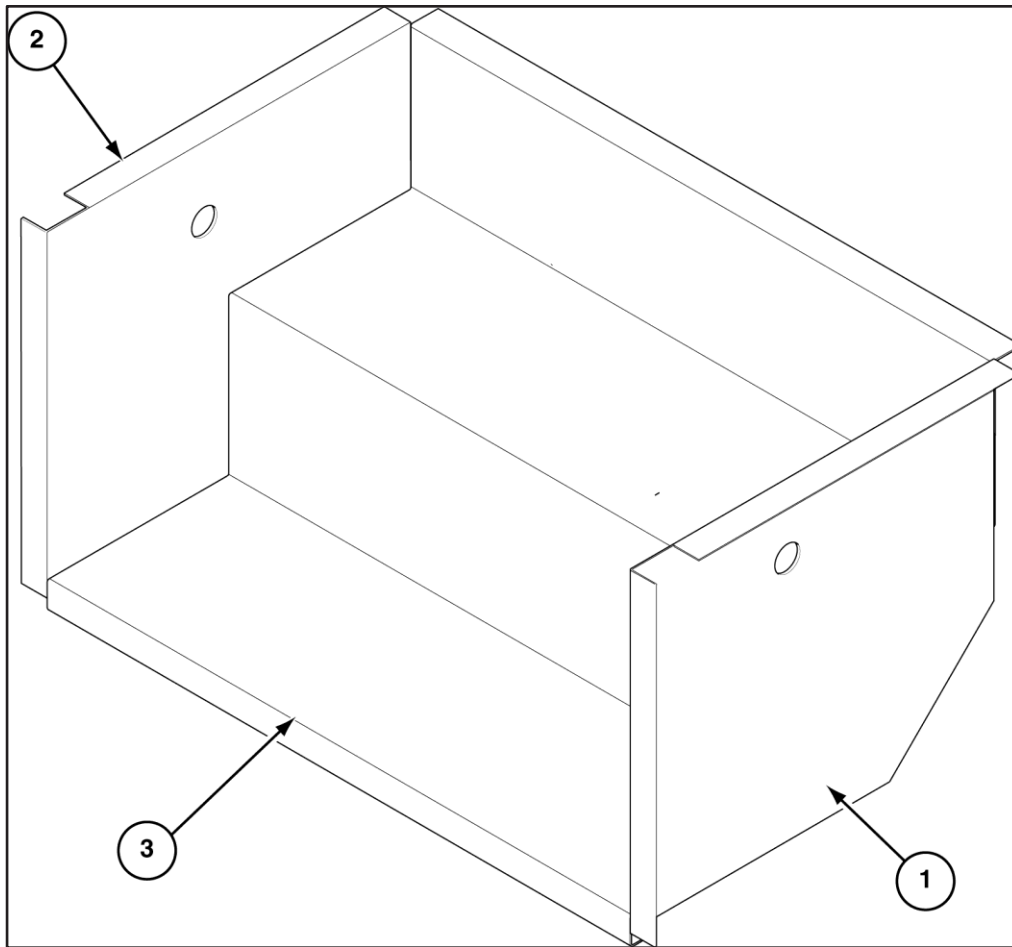
0414047 - 0415829

<i>ITEM PART NO. DESCRIPTION</i>	<i>QTY</i>	<i>ITEM PART NO. DESCRIPTION</i>	<i>QTY</i>
01 0376583 Side, Step Front	1		
02 0378220 Step, 34 1/4" 11 GA Galvanized	1		
03 0376584 Side, Step Rear	1		



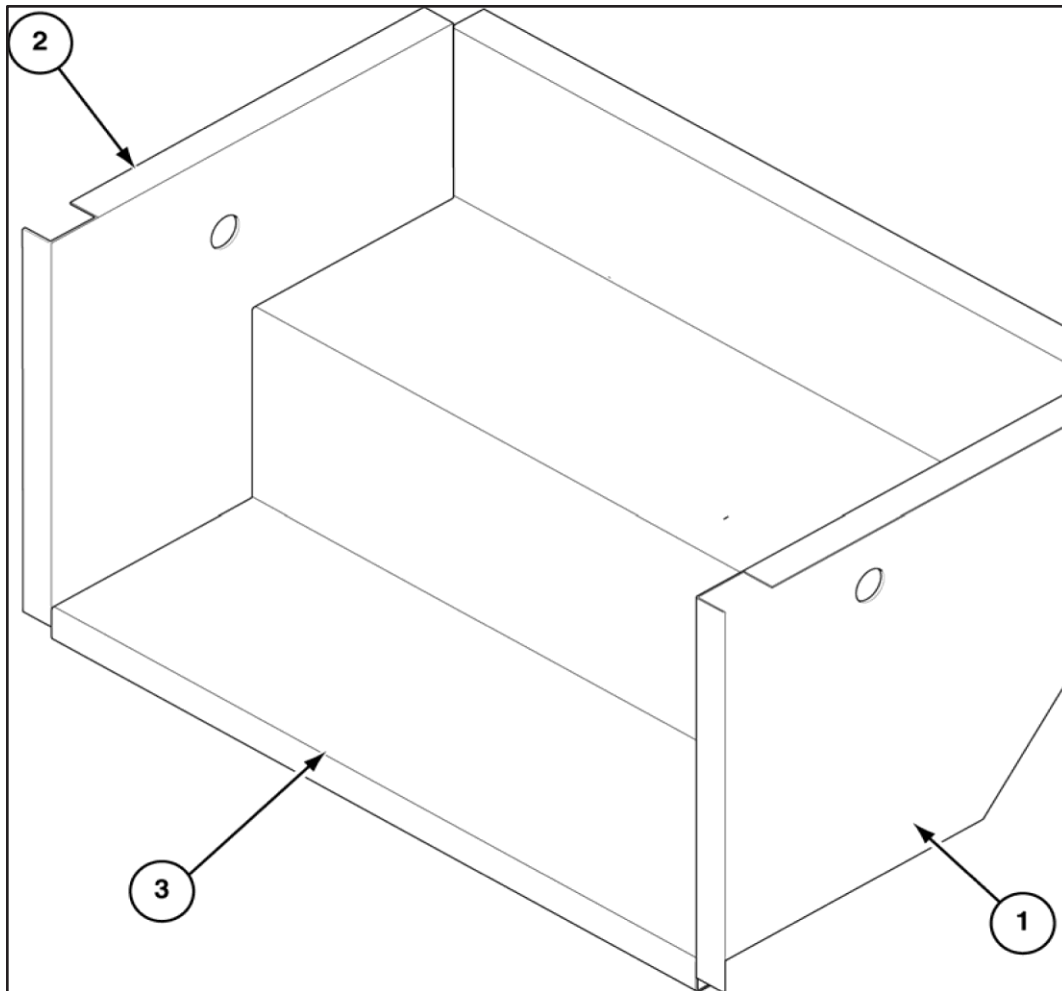
**34 1/4" stepwell s/s GM610
0415808**

<i>ITEM PART NO. DESCRIPTION</i>	<i>QTY</i>	<i>ITEM PART NO. DESCRIPTION</i>	<i>QTY</i>
01 0378338 Side, Step Front CHGT S/S 4 Deg	1		
02 0378337 Step, 34.25" CHGT S/S 4 Deg	1		
03 0378339 Side, Step Rear CHGT S/S 4 Deg	1		



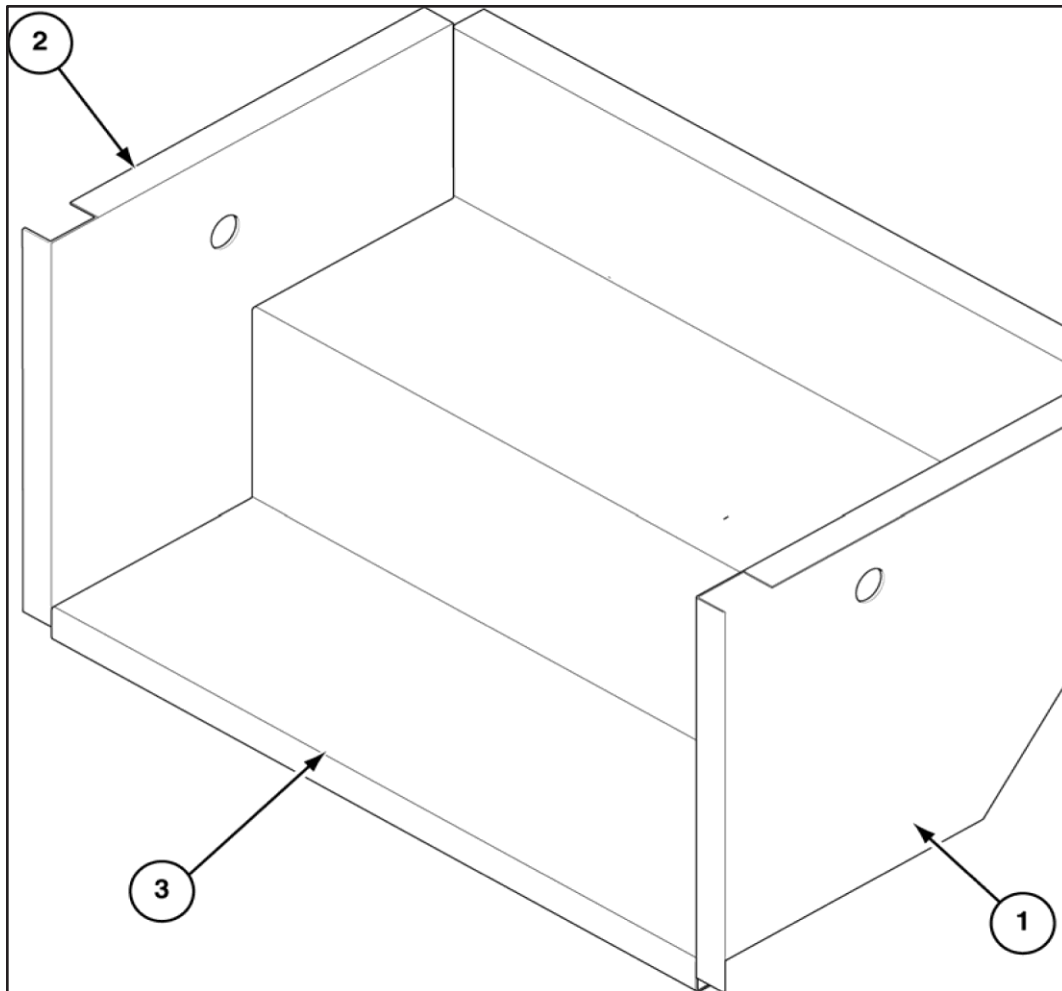
**stepwell, 34.25" s/s 14g lowerstep- 27'
0415818**

<i>ITEM PART NO. DESCRIPTION</i>	<i>QTY</i>	<i>ITEM PART NO. DESCRIPTION</i>	<i>QTY</i>
01 0378328 Side, Stepwell Front 14GA S/S	1		
02 0378331 Side, Rear 14GA	1		
03 0378215 Step, 34.25" S/S 14GA	1		
NS 9740044 Sealant, Silicone Clear	AR		



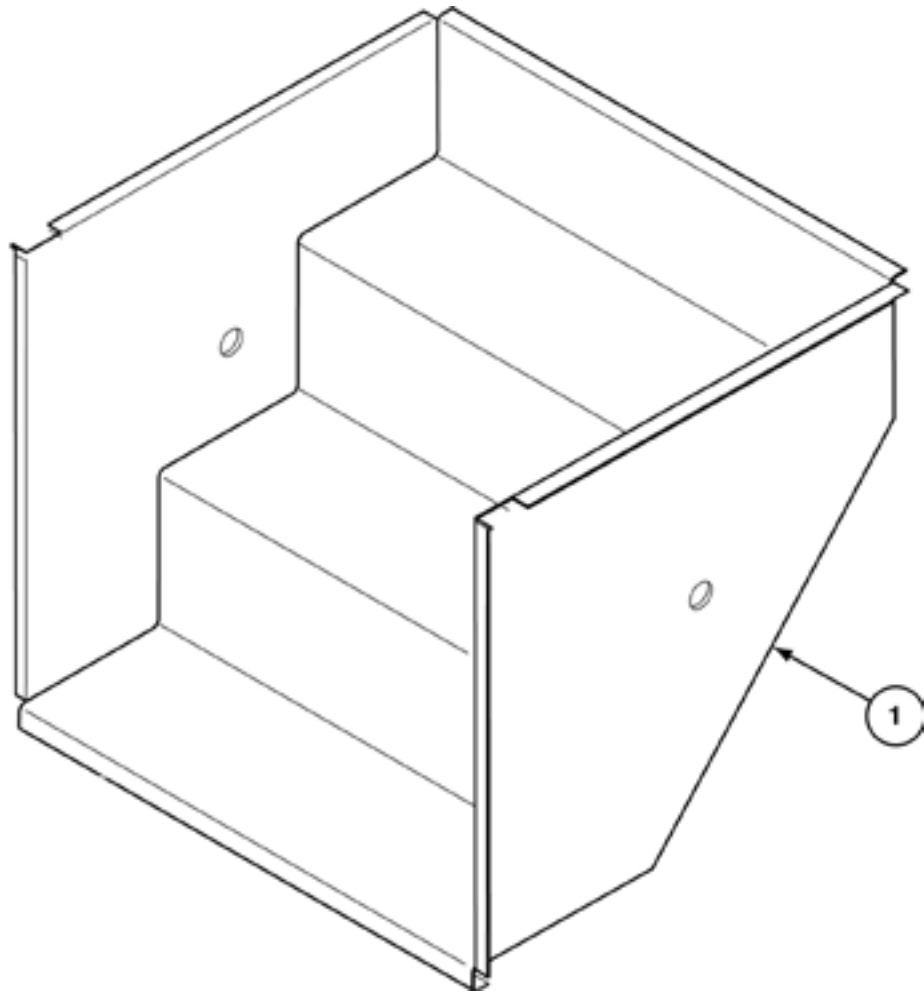
STEPWELL, 44.25" CH 4dEG
0407137

<i>ITEM PART NO. DESCRIPTION</i>	<i>QTY</i>	<i>ITEM PART NO. DESCRIPTION</i>	<i>QTY</i>
1 0376272 SIDE, STEP FRONT	1		
2 0376273 SIDE, STEP REAR	1		
03 0376457 STEP, CH FORD 44.25" 4 DEG	1		
N/S 0374714 TUB, 16GA .5 X 1.5 X 120.0	A/R		



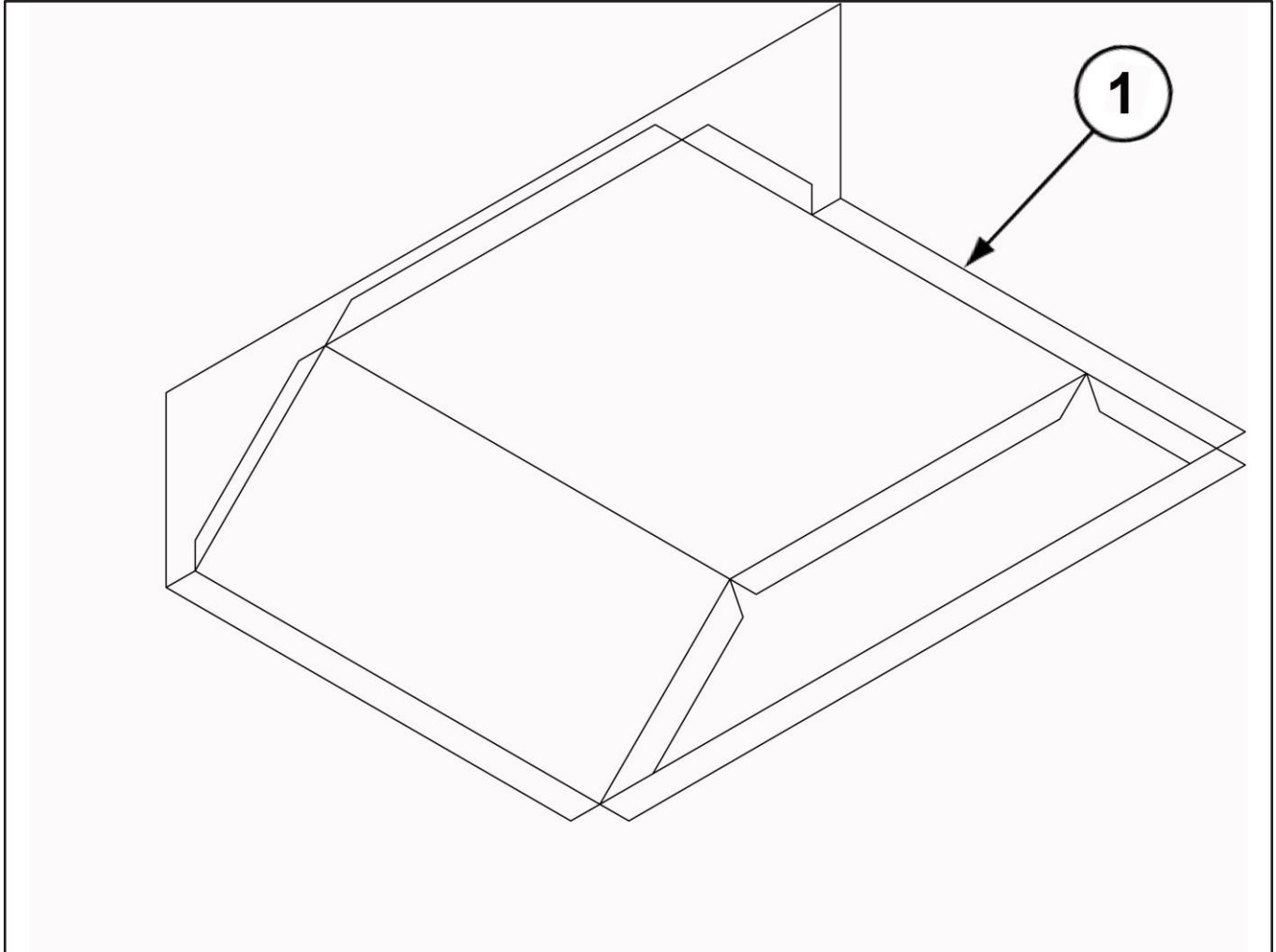
**STEPWELL, 44.25" S/S 14ga gm610
0417754**

<i>ITEM PART NO. DESCRIPTION</i>	<i>QTY</i>	<i>ITEM PART NO. DESCRIPTION</i>	<i>QTY</i>
1 0376479 SIDE, STEP FRONT	1		
2 0379068 Side Step Rear GM610 .75" Lower 16G 1			
3 0379067 Side Step Front GM610-.75" Lower 16G1			



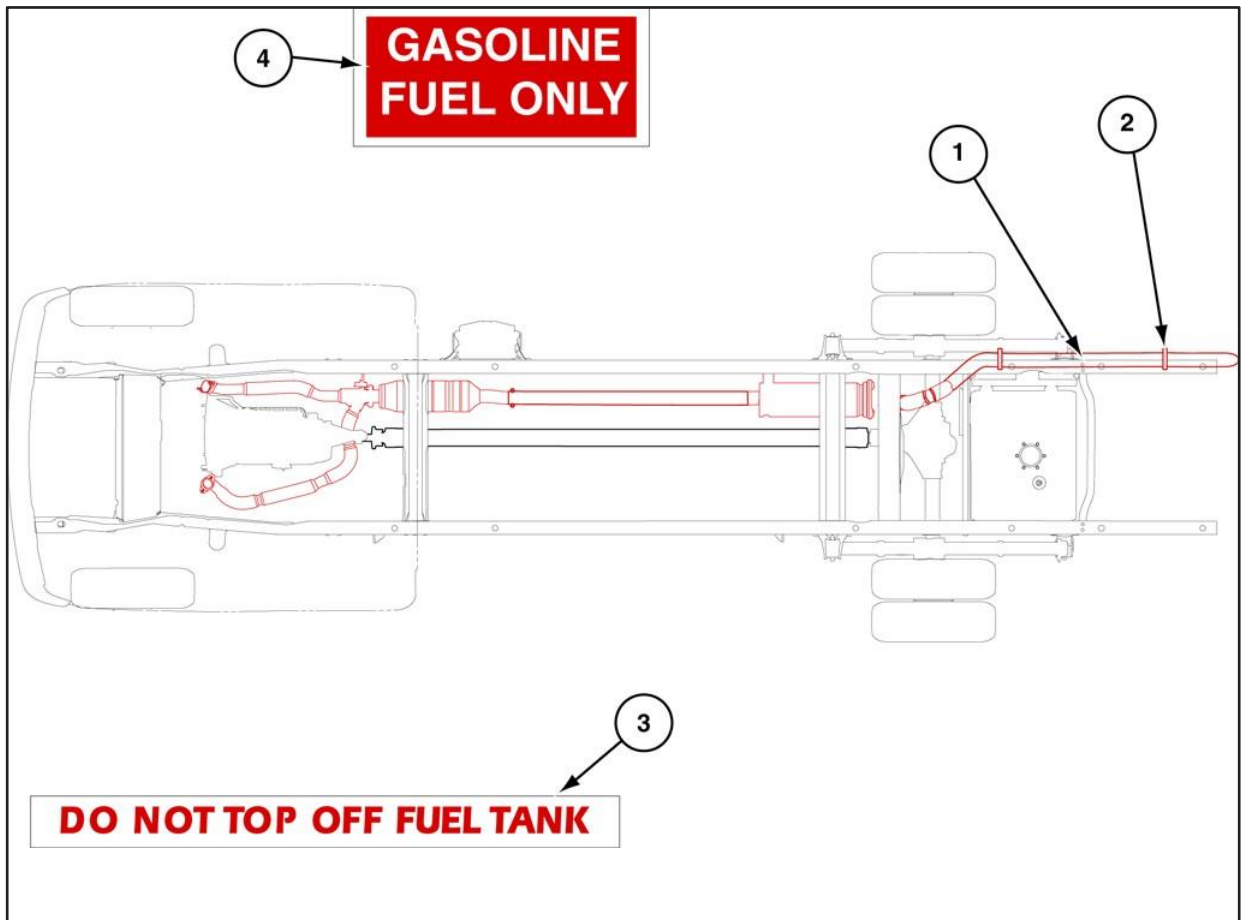
**STEPWELL, raised floor 4-STEP
0418169**

<i>ITEM</i>	<i>PART NO.</i>	<i>DESCRIPTION</i>	<i>QTY</i>	<i>ITEM</i>	<i>PART NO.</i>	<i>DESCRIPTION</i>	<i>QTY</i>
01	0378914	STEP, CH/CR FORD 34.25 SGL 3RD S/S	1				
NS	0372102	Z, 16GA x 1.5 x 5.75 x 1.5 x 68.0	1.6				
NS	0342212	TUBE, 14GA 2 x 1.5 x 24'	AR				
NS	0364836	STEEL, FLAT 16GA x 3" x 96"	AR				
NS	0375468	CAP, 14GA 3 x 2.94 x 2 x 120 HRS	AR				



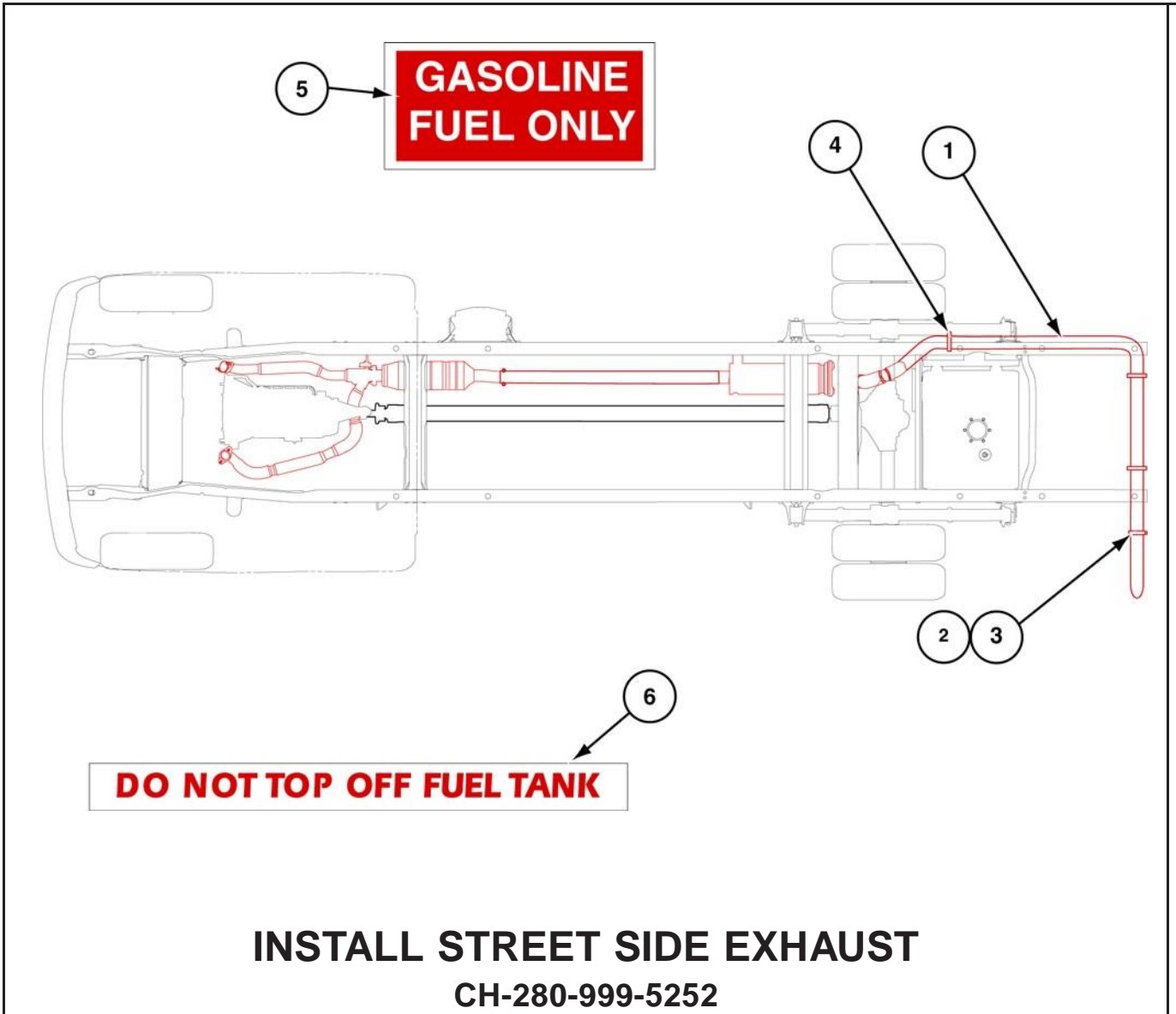
wheelwell s/s gmt560
0404158 (REV-A)

<i>ITEM PART NO. DESCRIPTION</i>	<i>QTY</i>	<i>ITEM PART NO. DESCRIPTION</i>	<i>QTY</i>
01 0375263 Wheelwell, Backplate S/S	1		
0375264 Wheelwell, Front Plate S/S	1		
0375265 Wheelwell, Top Section S/S	1		

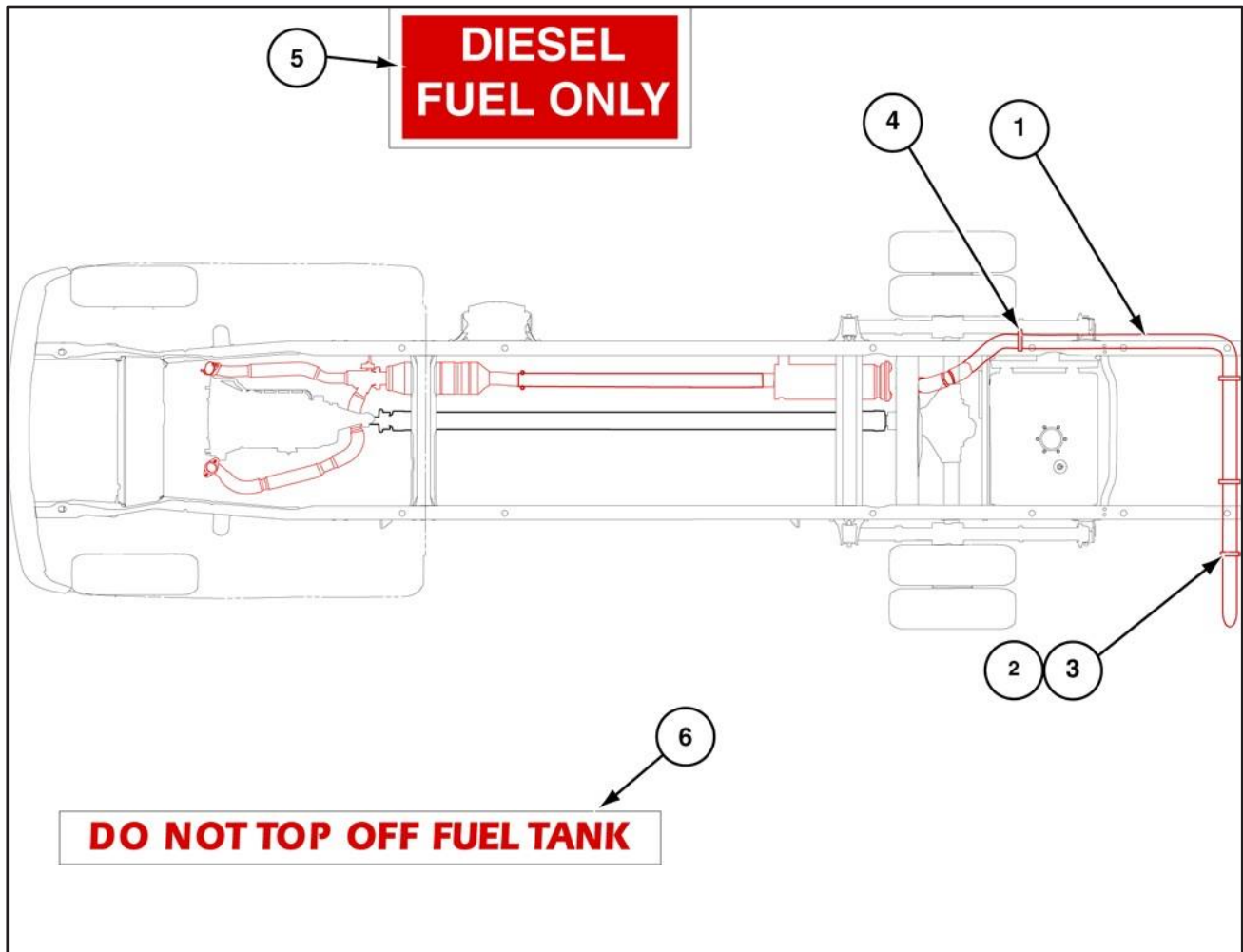


exhaust exit rear of bus gmt560 gas
ch-280-999-5250, 0402762, 0401240

<i>ITEM PART NO. DESCRIPTION</i>	<i>QTY</i>	<i>ITEM PART NO. DESCRIPTION</i>	<i>QTY</i>
CH-000-999-5250 Exhaust Exit Rear of Bus		0401240 Pipe, Tail Extension Crusader 3"	
NS 0375251 Bracket, Emission Canister Support	1	01 0374284 Pipe, Exhaust 3" Alumized 10'	1
NS 0375257 Mount, Vacuum Canister 97 Ford Gas	1		
0402762 Install, Tail Pipe V10, V8 Gas			
2 4970424 Clamp, Muffler 3" HD	3		
NS 4970426 Hanger, Tail Pipe	2		
3 8945016 Decal, "Do Not Top Off Fuel Tank"	1		
4 8940348 Decal, "Gasoline Fuel Only"	1		

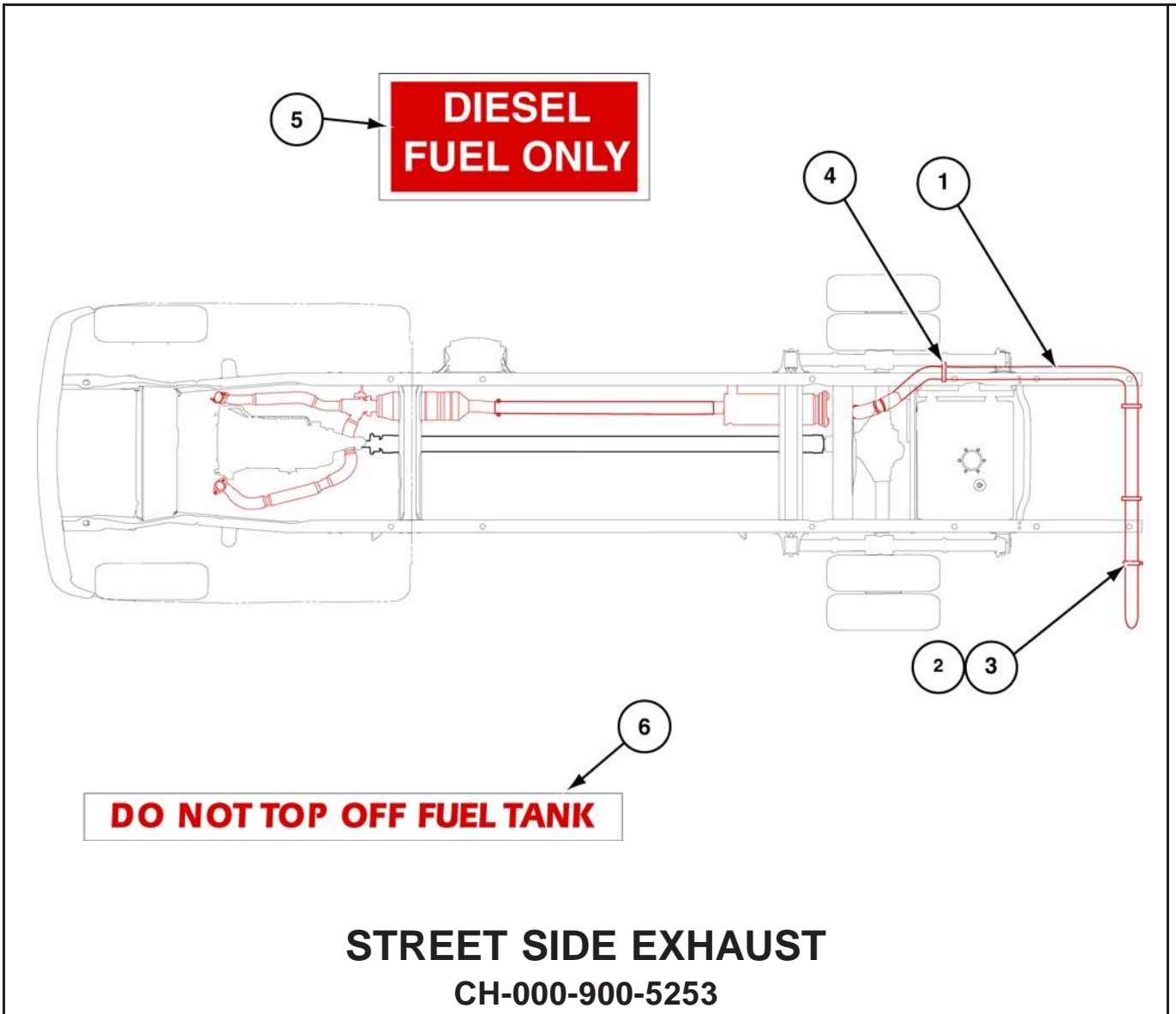


<i>ITEM PART NO. DESCRIPTION</i>	<i>QTY</i>	<i>ITEM PART NO. DESCRIPTION</i>	<i>QTY</i>
01 0377937 PIPE, EXHAUST ROADSIDE TURN DOWN	1		
02 0374410 PIPE, EXHAUST (3½" x 10')	A/R		
03 4970475 CLAMP, MUFFLER (3½")	3		
04 0341735 HANGER, EXHAUST (1½" X 12")	1		
5 8940348 DECAL, GASOLINE ONLY	1		
6 8945016 DECAL, DO NOT TOP OFF FUEL TANK	1		

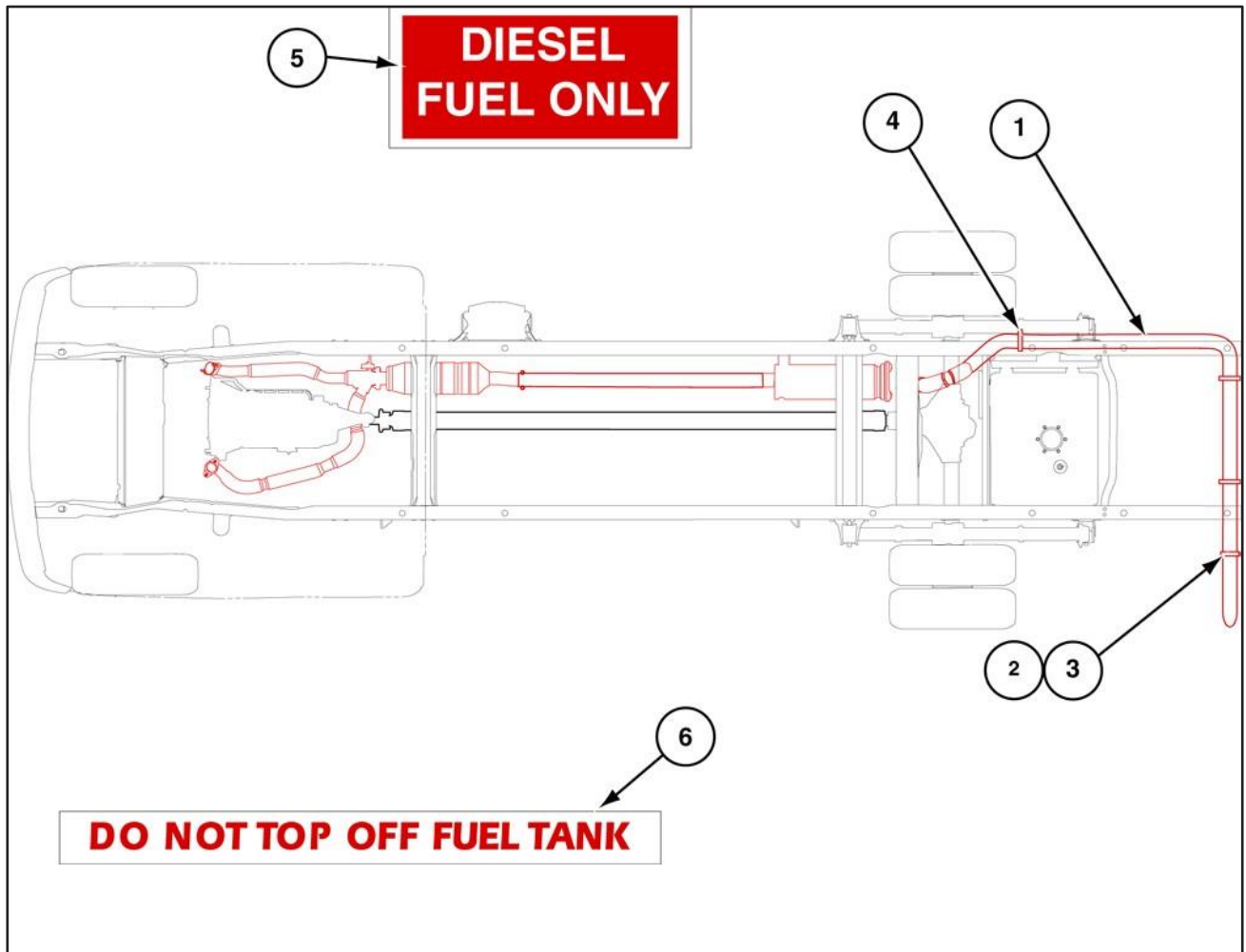


street side exhaust - gm610 dsl
Ch000gJ14047 / CH000GX14047

<i>ITEM PART NO. DESCRIPTION</i>	<i>QTY</i>	<i>ITEM PART NO. DESCRIPTION</i>	<i>QTY</i>
1 0374410 Pipe, Exhaust 3½" x 10' Alumized	.5		
2 0377937 Pipe, Exhaust Road Side Turn Down	1		
03 4970475 Clamp, Muffler 3½"	3		
04 0341735 Hanger, Exhaust (1½ x 12")	3		
5 8940348 Decal, Diesel Fuel Only	1		
6 8945016 Decal, Do Not Top Off Fuel Tank	1		
NS 1570446 Insulator, Rubber 3/8" Exh Hanger	3		
NS 0378317 Exhaust, Pipe 3½" x 45DEG x 12"	1		

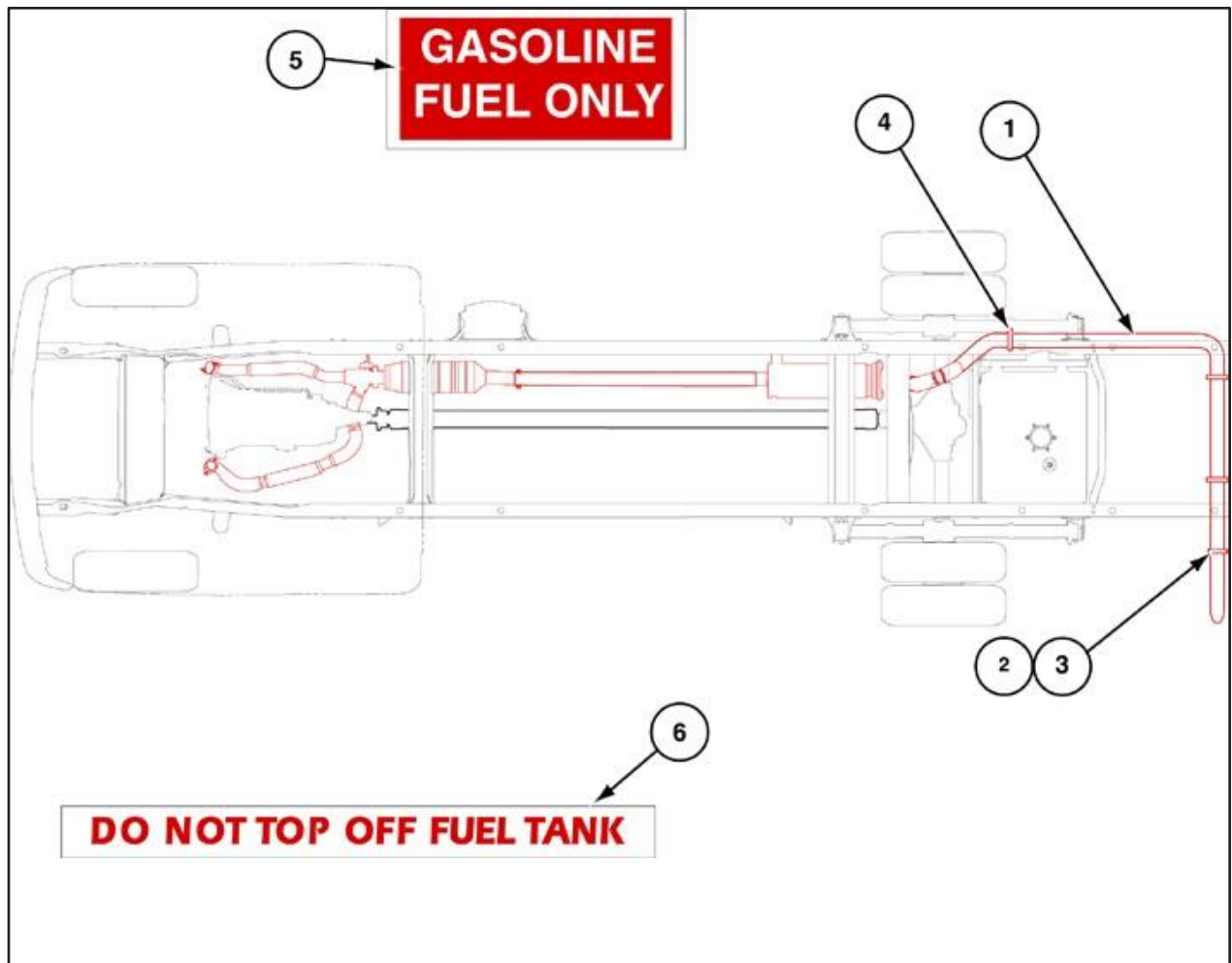


ITEM	PARTNO.	DESCRIPTION	QTY	ITEM	PARTNO.	DESCRIPTION	QTY
1	0374410	PIPE, EXHAUST(3½" x 10') ALUMINIZED	A/R				
2	4970426	HANGER,TAIL PIPE	3				
03	4970475	CLAMP, MUFFLER (3½")	5				
04	0341735	HANGER,EXHAUST(1½ x 12")	1				
5	8940215	DECAL, DIESEL FUEL ONLY	1				
6	8945016	DECAL, DONOT TOP OFF FUEL TANK	1				
CH000-900-5252D							
NS	0170946	PIPE, EXHAUSTTURNDOWN (3.5" x 90")	1				
NS	4970475	CLAMP, MUFFLER 3½"	1				



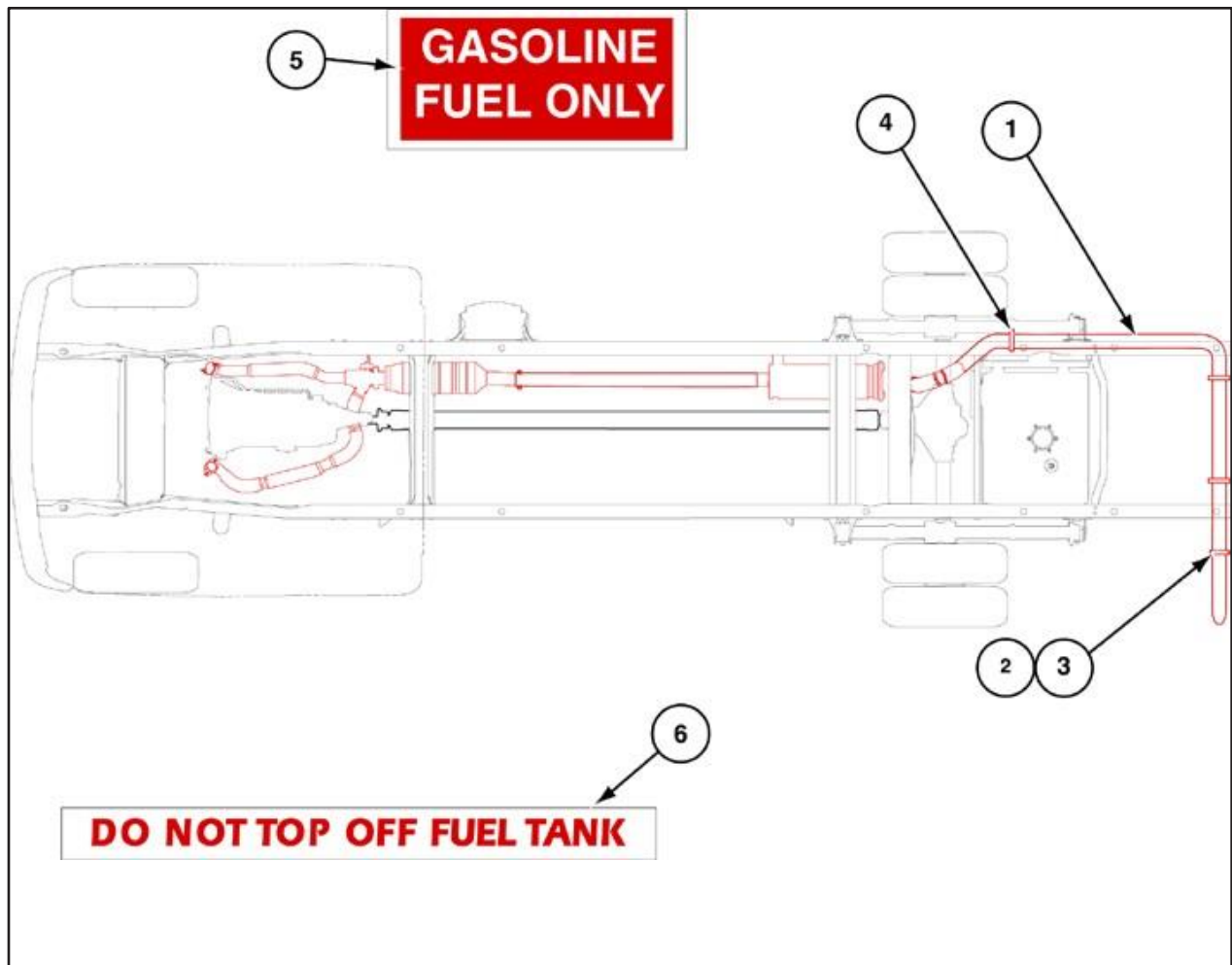
street side exhaust - gm560 dsl
ch-280-999-5252d

<i>ITEM PART NO. DESCRIPTION</i>	<i>QTY</i>	<i>ITEM PART NO. DESCRIPTION</i>	<i>QTY</i>
1 0374410 Pipe, Exhaust 3½" x 10' Alumized	.5		
2 4970426 Hanger, Tail Pipe	3		
03 4970475 Clamp, Muffler 3½"	3		
04 0341735 Hanger, Exhaust (1½ x 12")	1		
5 8940215 Decal, Diesel Fuel Only	1		
6 8945016 Decal, Do Not Top Off Fuel Tank	1		



street side exhaust - gas/diesel
Ch000gu14047 / Ch000gx14047 / Ch000gv14047 (0403497)

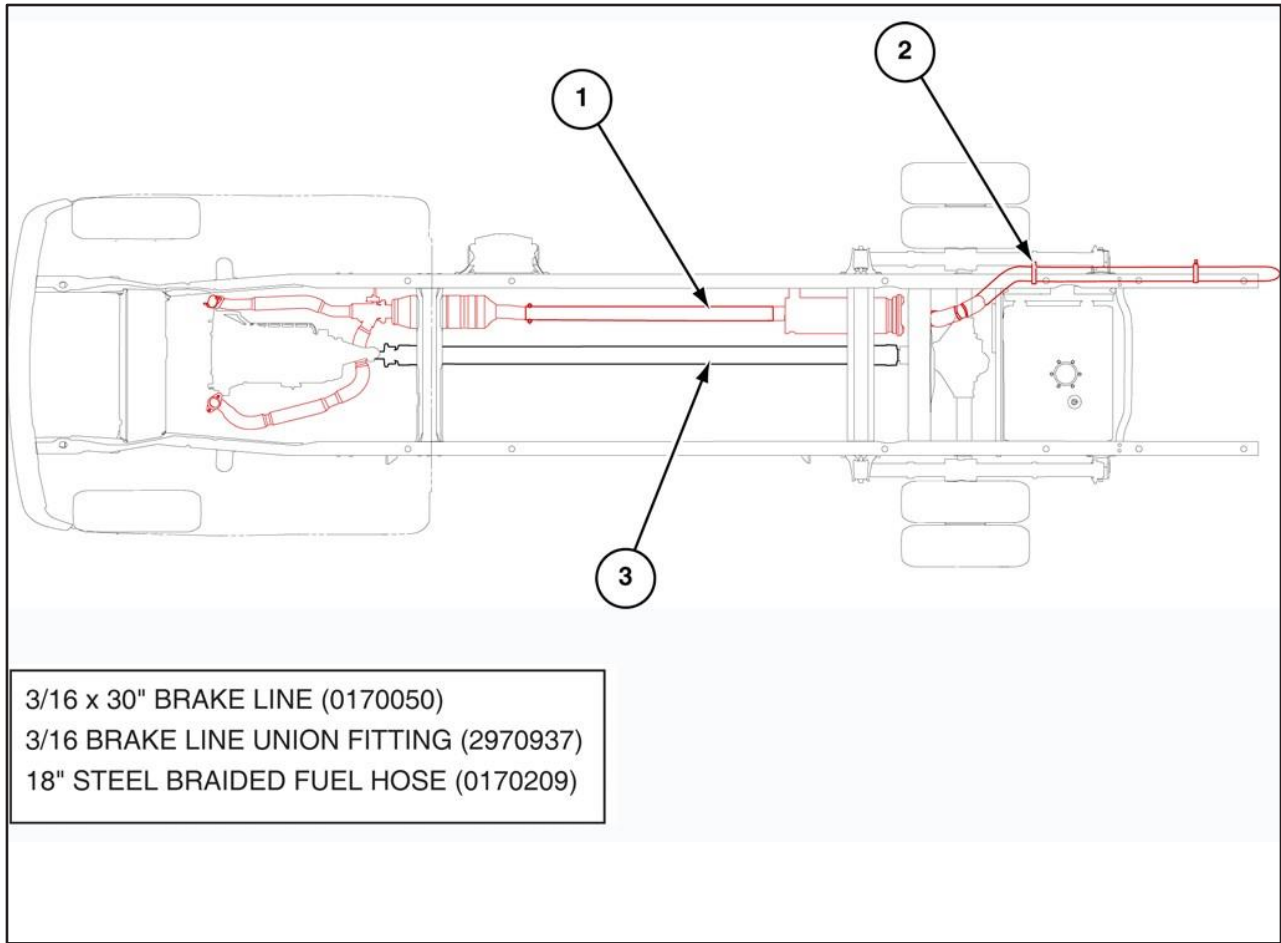
<i>ITEM PART NO. DESCRIPTION</i>	<i>QTY</i>	<i>ITEM PART NO. DESCRIPTION</i>	<i>QTY</i>
1 0374410 Pipe, Exhaust 3.5" Alumized 10'	A/R		
2 0170946 Pipe, Exhaust 3.5" x 90 Degree	A/R		
03 4970475 Clamp, Muffler 3.5"	A/R		
4 0378788 Rod, Exhaust Support	A/R		
5 8940348 Decal, Gasoline Only	1		
8940215 Decal, Diesel Fuel Only AD61	1		
6 8945016 Decal, Do Not Top Off Fuel Tank	1		
NS 1570446 Insulator, Rubber 3/8" Exhaust Hanger	2		



street side exhaust - gas

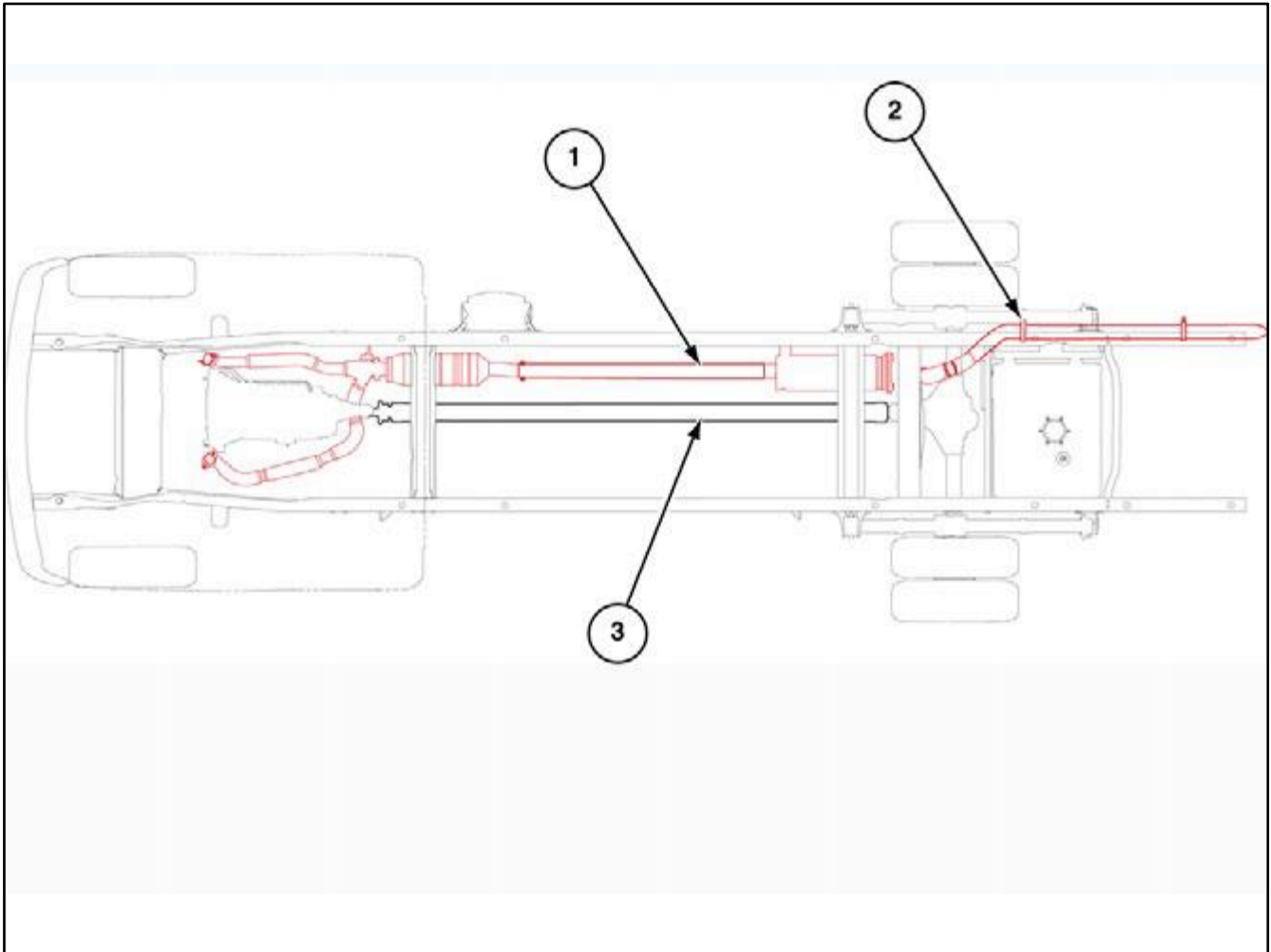
CH000GA14047

<i>ITEM PART NO. DESCRIPTION</i>	<i>QTY</i>	<i>ITEM PART NO. DESCRIPTION</i>	<i>QTY</i>
1 0374284 Pipe, Exhaust 3" Alumized 10'	AR		
2 1570446 Insulator, Rubber 3/8" Exhaust Hanger	2		
03 4970424 Clamp, Muffler 3" H/D	2		
04 0378788 Rod, Exhaust Support	AR		
5 8940348 Decal, Gasoline Only	1		
6 8945016 Decal, Do Not Top Off Fuel Tank	1		



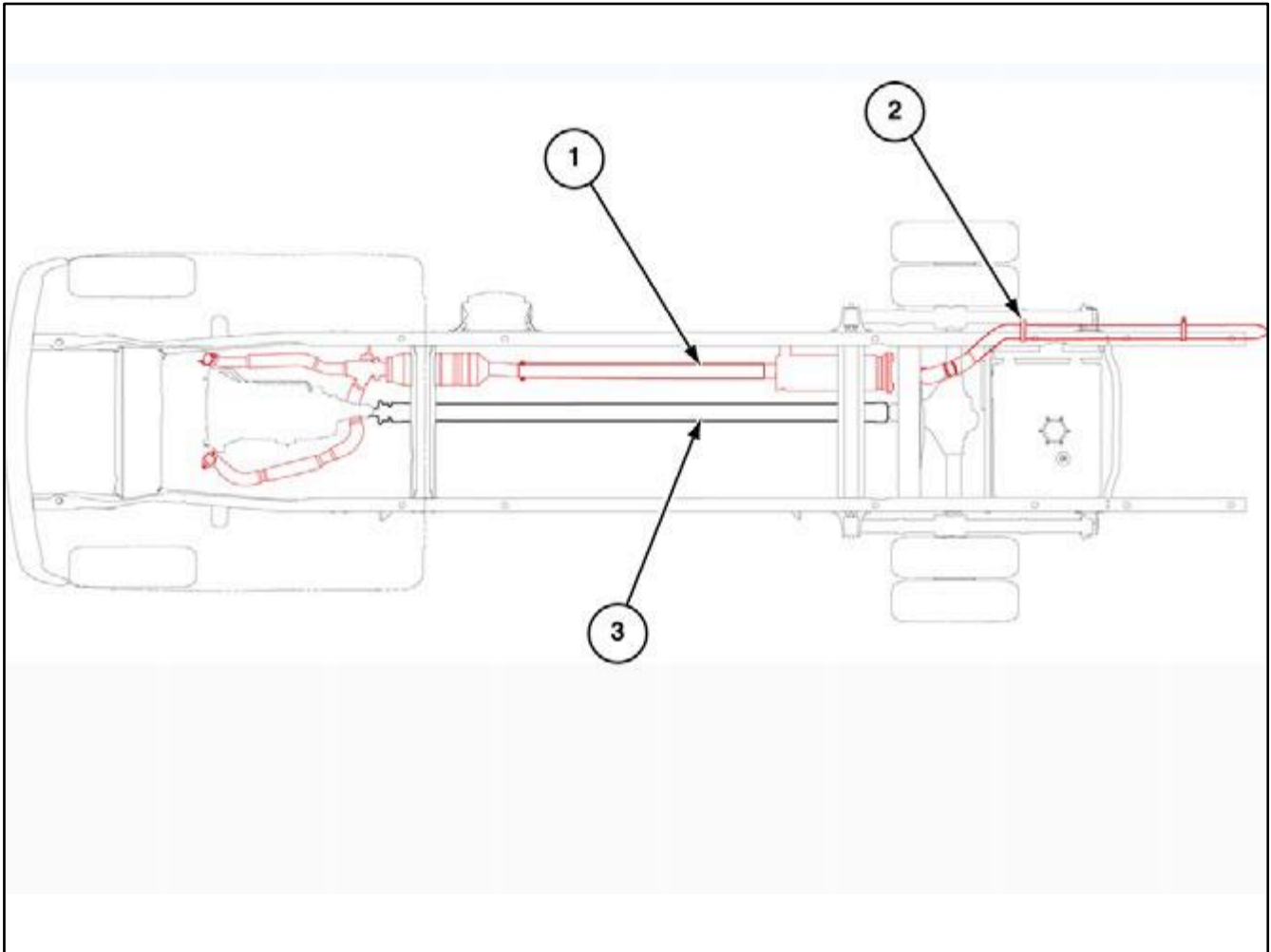
Chassis stretCh 158"-190" e-450 gas 08' 0416666

<i>ITEM PART NO. DESCRIPTION</i>	<i>QTY</i>	<i>ITEM PART NO. DESCRIPTION</i>	<i>QTY</i>
01 0374284 Pipe, Exhaust 3" Alumized 10'	.3		
02 4970475 Clamp, Muffler 3½"	1		
03 0171032 Shaft, Drive Ford E450 158"-190"	1		
NS 0180050 Line, Brake 3/16 x 30"	1		
NS 2970937 Fitting, Union 3/16 Brake Line	1		
NS 0170209 Hose, 18" Fuel Steel Braided Count	2		
NS 0374863 Reinforcement, Frame Ford	2		
NS 0374862 Insert, Stretch Ford 32.0	2		
NS 0375641 Extension, Frame Ford 9.50	2		
NS 0170993 Harness, Fuel Sending Unit Ext 190"	1		



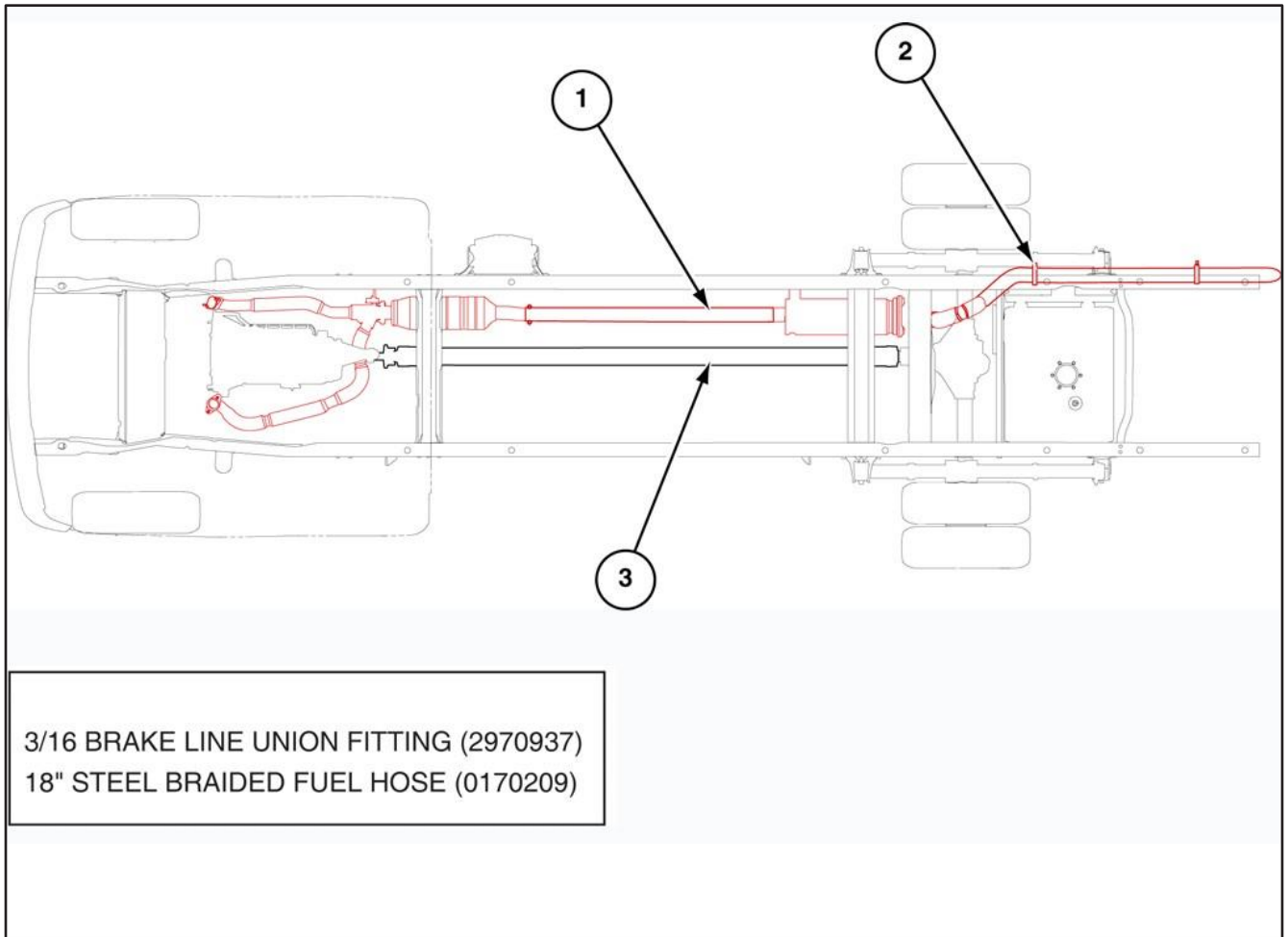
Chassis stretCh 159"-177" GMt610 DsL 0418346 (2010)

<i>ITEM PART NO. DESCRIPTION</i>	<i>QTY</i>	<i>ITEM PART NO. DESCRIPTION</i>	<i>QTY</i>
01 0377316 Pipe, Exhaust 3.5" With 4" Offset	1		
02 4970475 Clamp, Muffler 3½"	2		
03 0171107 Shaft, Drive GM610 159"-177" 2010	1		
NS 0170481 Line, Brake 1/4 x 20.0	1		
NS 0377481 Reinforcement, Frame Chevy GMT610	2		
NS 0376530 Extension, Frame Chevy 14.75"	2		
NS 0171024 Cable, Brake Ext 176" Stretch '10	1		
NS 0171099 Line, Fuel 3/8 O.D. x 20" Rigid	1		
NS 0171078 Line, Fuel .50" O,D. x 6' Long S/S	.3		
NS 0375816 Plate, Reinforcement CHGT 4.0 x 24.0	2		
NS 0170571 Coupling, 1/4" Brake Line	1		



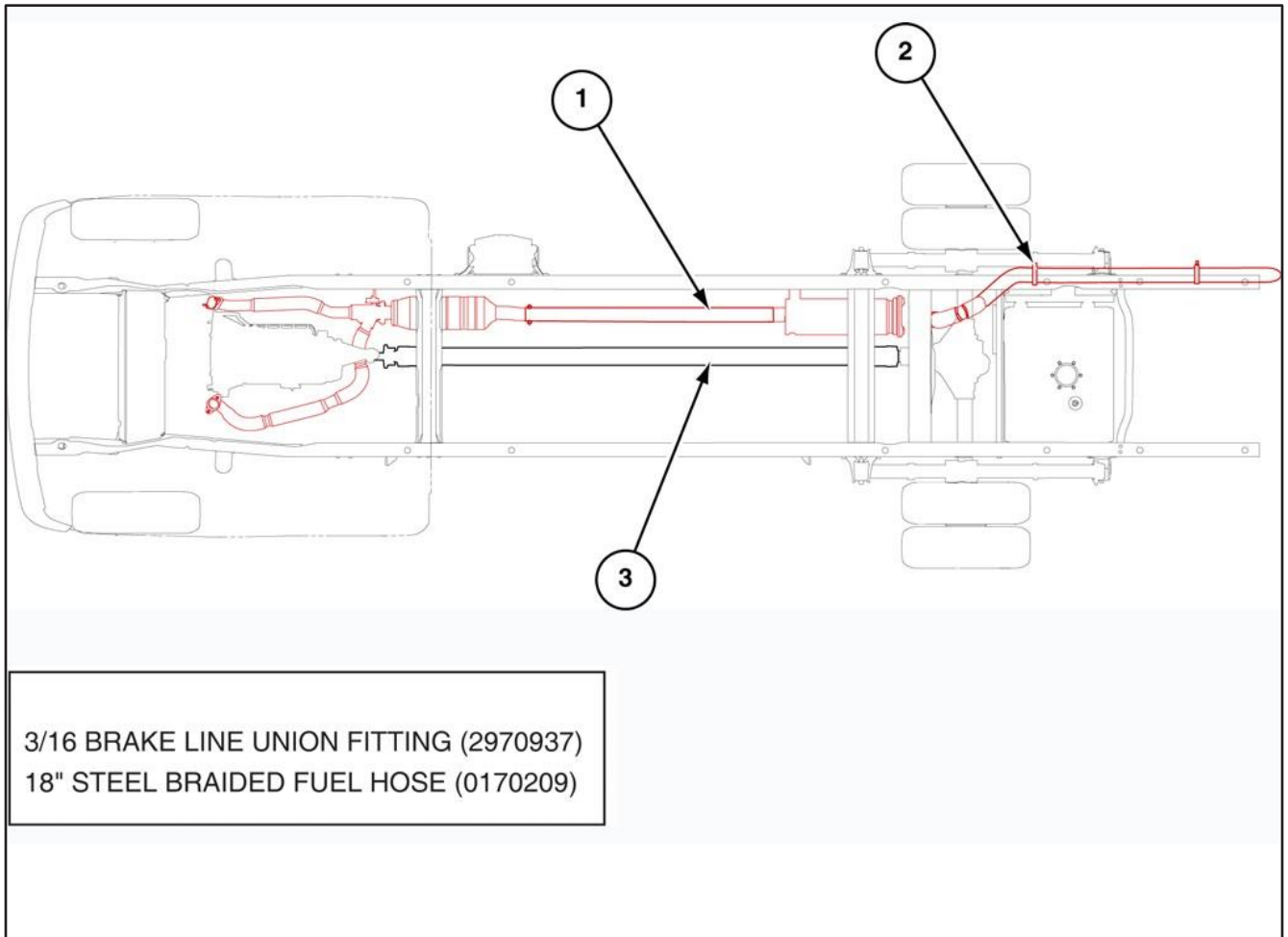
Chassis stretCh 159" to 177" GMt610 Gas 0405028

<i>ITEM PART NO. DESCRIPTION</i>	<i>QTY</i>	<i>ITEM PART NO. DESCRIPTION</i>	<i>QTY</i>
01 0374410 Pipe, Exhaust 3.5" x 10ft Aluminize	.3		
0375530 Extension, Frame GMT610 18"	2		
0377481 Reinforcement, Frame Chevy GM610	2		
02 4970475 Clamp, Muffler 3½"	2		
03 0171037 Shaft, Drive GM610 159" - 177" '08	1		
NS 0170481 Line, Brake 1/4 x 20.0	2		
NS 0171078 Line, Fuel .50" O.D x 6' Long S/S	AR		
NS 0171099 Line, Fuel 3/8 x 20" Rigid	1		
NS 0171024 Cable, Brake Ext 176" Stretch	1		
NS 0170571 Coupling, 1/4" Brake Line	1		
NS 0170209 Hose, 18" Fuel Steel Braided 92	1		



Chassis stretCh 165.5"-183.5" GMt560 DsL 0415677 (rev-b)

<i>ITEM PART NO. DESCRIPTION</i>	<i>QTY</i>	<i>ITEM PART NO. DESCRIPTION</i>	<i>QTY</i>
01 0374410 Pipe, Exhaust 3.5" X 10'	1		
02 4970475 Clamp, Muffler 3½"	1		
03 0171077 Shaft, Drive GMT560 165.5 - 183.5	1		
NS 0170481 Line, Brake 1/4 x 20.0	2		
NS 0378044 Insert, Frame GM560 18"	2		
NS 0378045 Reinforcement, Frame GMT560 30"	1		
NS 0170571 Coupling, 1/4" Brake Line	2		



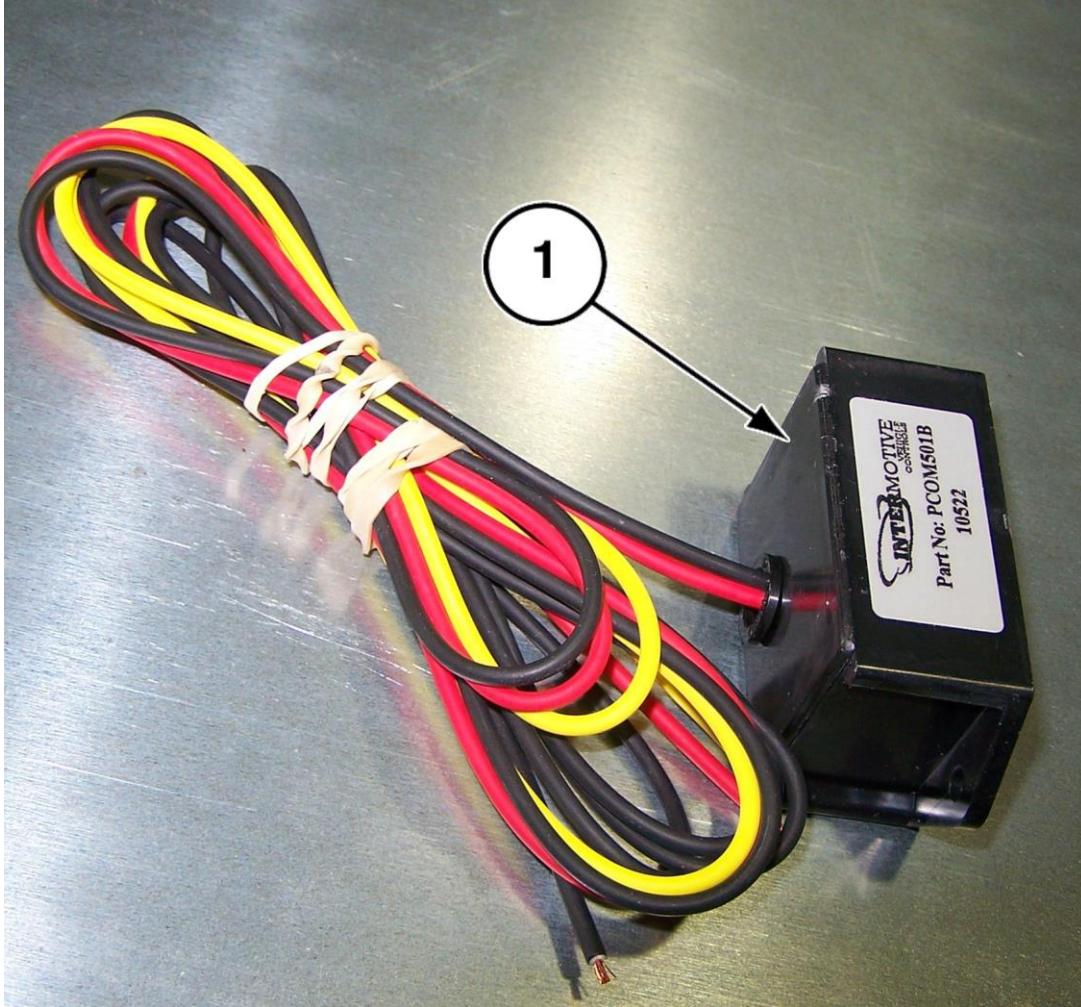
**Chassis stretCh 183.5" - 195.5" GMt560 DsL 08'
0417807**

<i>ITEM PART NO. DESCRIPTION</i>	<i>QTY</i>	<i>ITEM PART NO. DESCRIPTION</i>	<i>QTY</i>
1 NA			
2 NA			
03 0171102 Shaft, Drive 183.5" to 195.5" GMT	1		
NS 0170481 Line, Brake 1/4 x 20.0	2		
NS 0379125 Reinforcement Frame GMT560 24"	2		
NS 0379122 Insert, Frame 12.00 0.25 2.83 x 8.5	2		
NS 0377233 Channel, .025 x 2.75 x 8.5 x 2.75 x 2	2		
NS 0374554 Reinforcement, Plate Ford 5 x 13.0	2		
NS 0171078 Line, Fuel .50" O.D x 6' Long S/S	0.2		



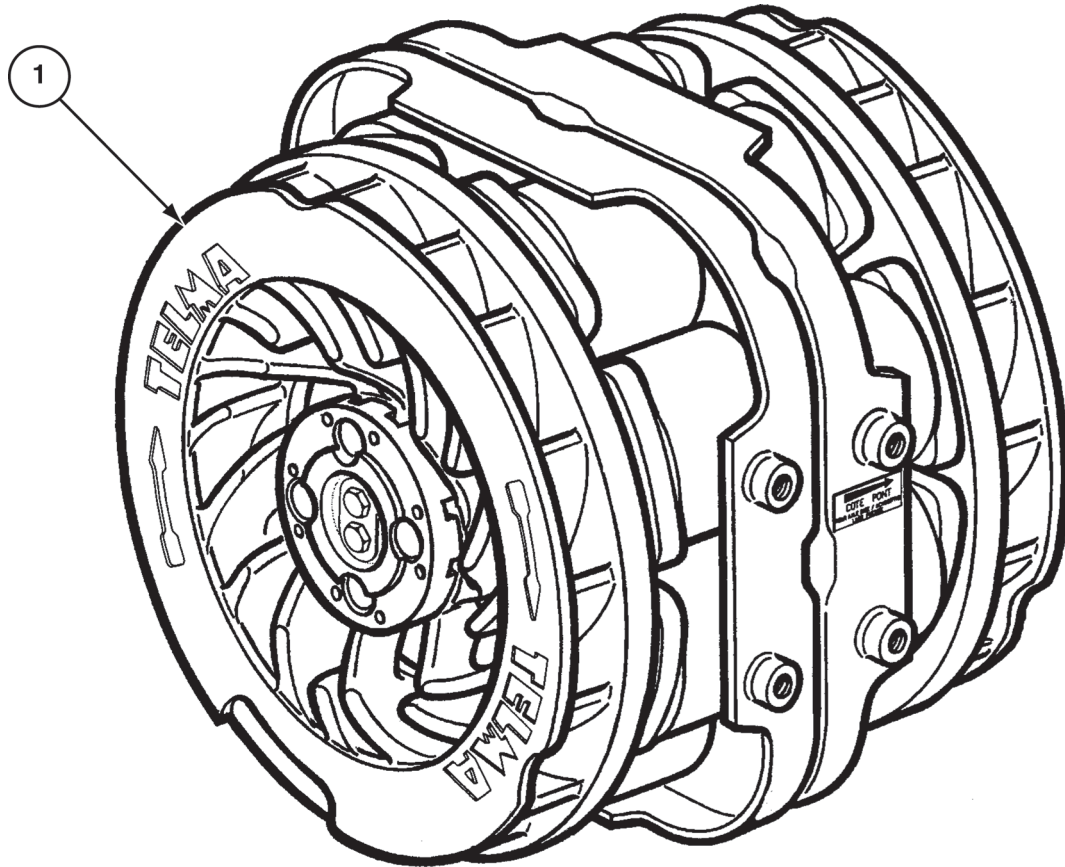
duratrans shifter module
0410016

<i>ITEMPART NO.</i>	<i>DESCRIPTION</i>	<i>ITEMPART NO.</i>	<i>DESCRIPTION</i>
01 6170546	INTERLOCK, ILIS FORD '08 W/DURATRANS	1	



Module park crank
0412989

<u>ITEM</u>	<u>PART NO.</u>	<u>DESCRIPTION</u>	<u>QTY</u>	<u>ITEM</u>	<u>PART NO.</u>	<u>DESCRIPTION</u>	<u>QTY</u>
01	3973224	Module, Park Crank Only 2005	1				



telma brake retarder
0413812

ITEM PART NO. DESCRIPTION	QTY	ITEM PART NO. DESCRIPTION	QTY
01 0170981 RETARDER,TELMA BRAKE	1		

PICTURE NOT AVAILABLE AT THIS TIME

eNTRANCe dOOR WINGS S/S
0416968

<i>ITEM PART NO.</i>	<i>DESCRIPTION</i>	<i>QTY</i>	<i>ITEM PART NO.</i>	<i>DESCRIPTION</i>	<i>QTY</i>
1	0378790 WING, ENTRANCE DOOR FRNT S/S	1			
2	0378791 WING, ENTRANCE DOOR REAR S/S	1			

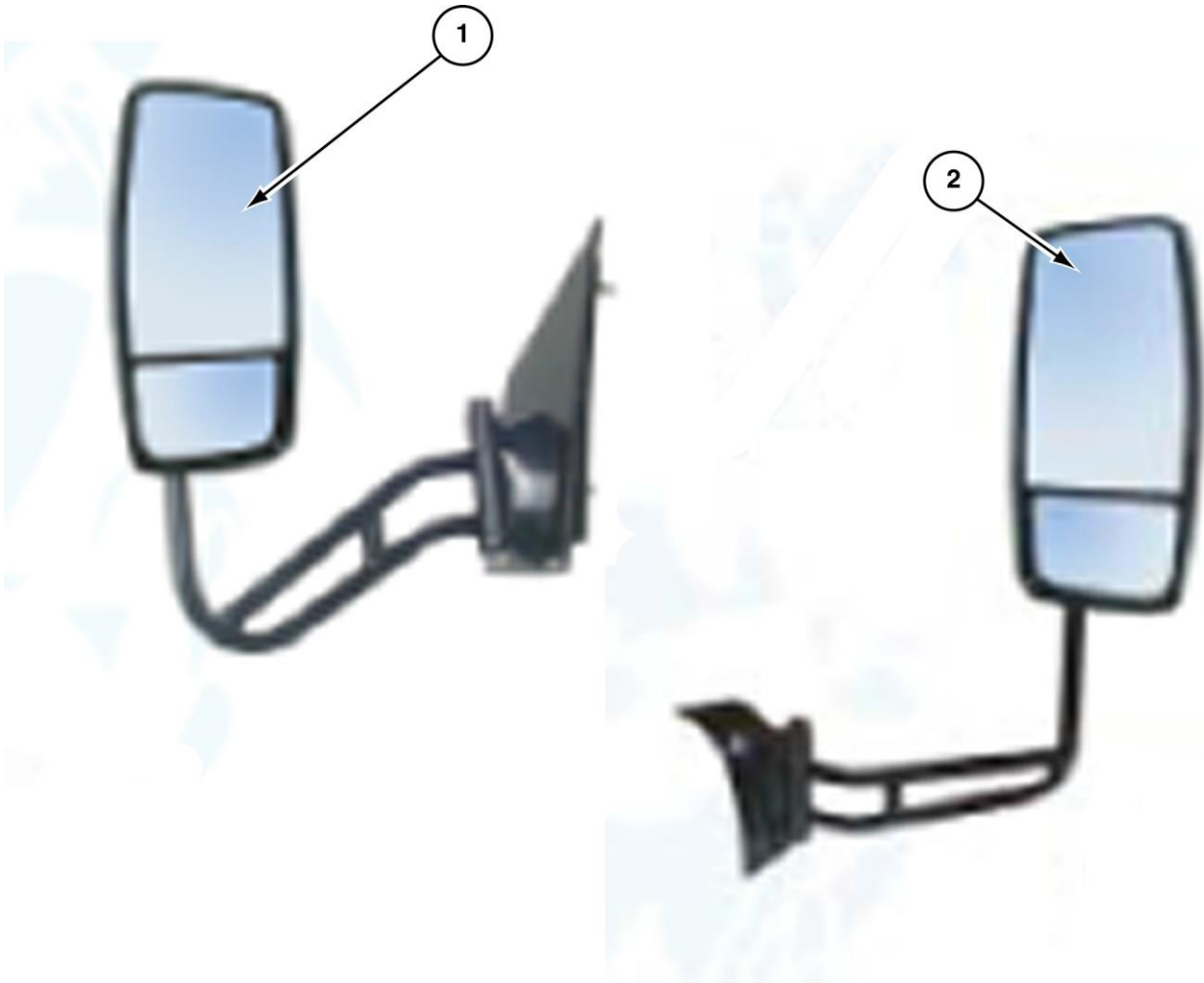


CHAMPION
BUS, INC.
Thor Industries Commercial Bus Division

SECTION 2:

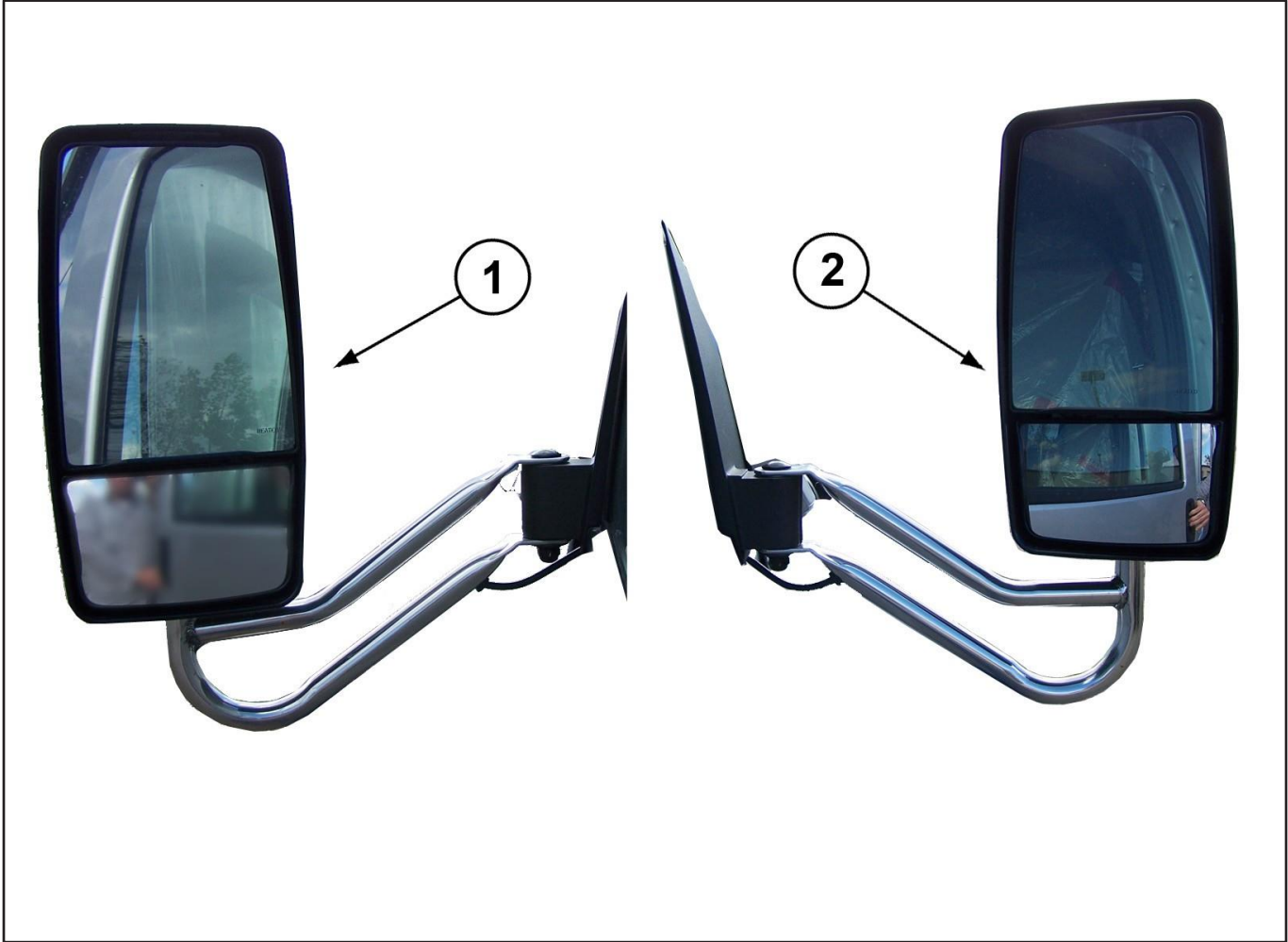
EXTERIOR

TRIM



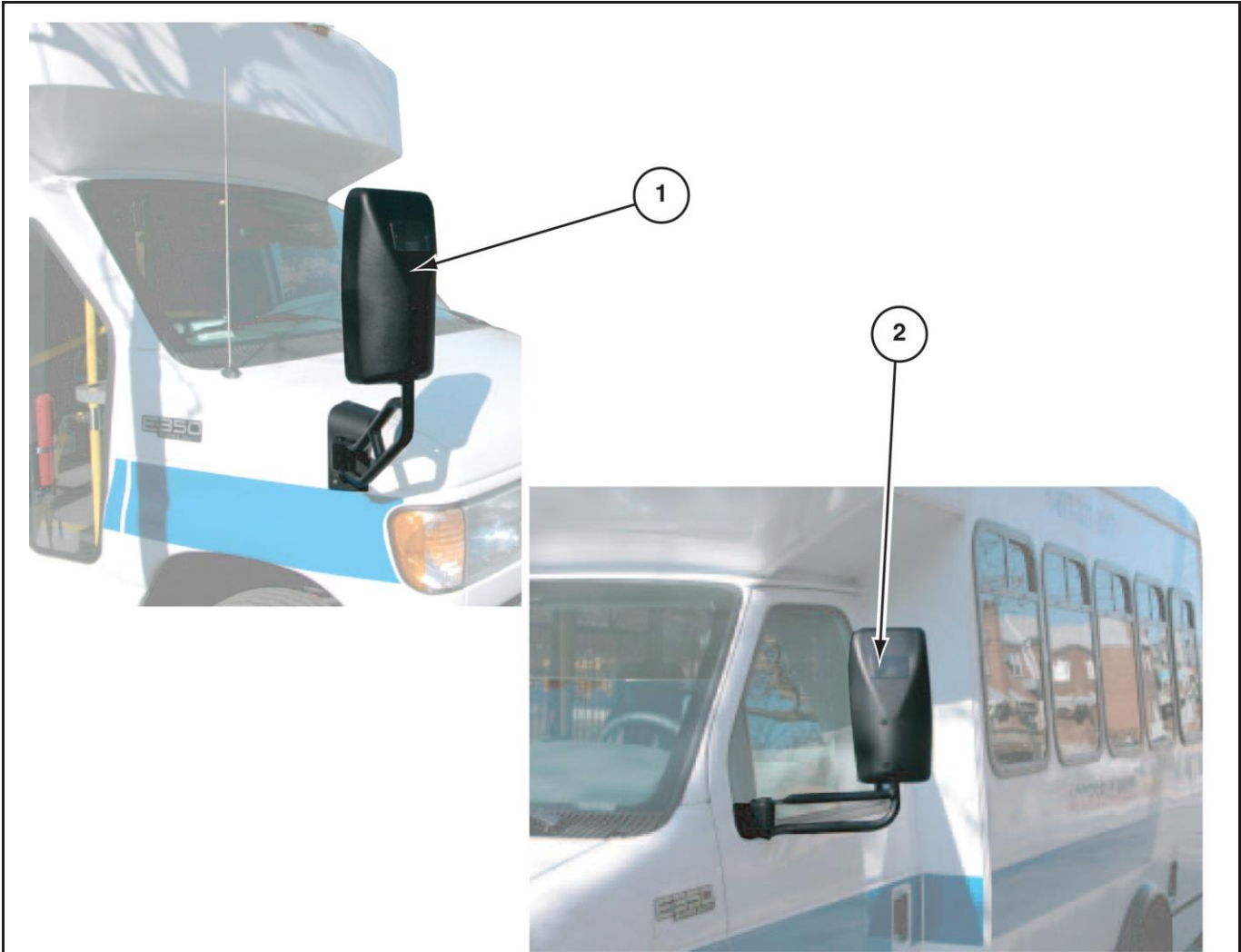
**mirrors heated remote gm
0408750**

<i>ITEM PART NO. DESCRIPTION</i>	<i>QTY</i>	<i>ITEM PART NO. DESCRIPTION</i>	<i>QTY</i>
1 6170273 Mirror, R/S Blk Heated Remote GM-Luc	1		
2 6170272 Mirror, C/S Blk Heated Remote GM-Luc.	1		



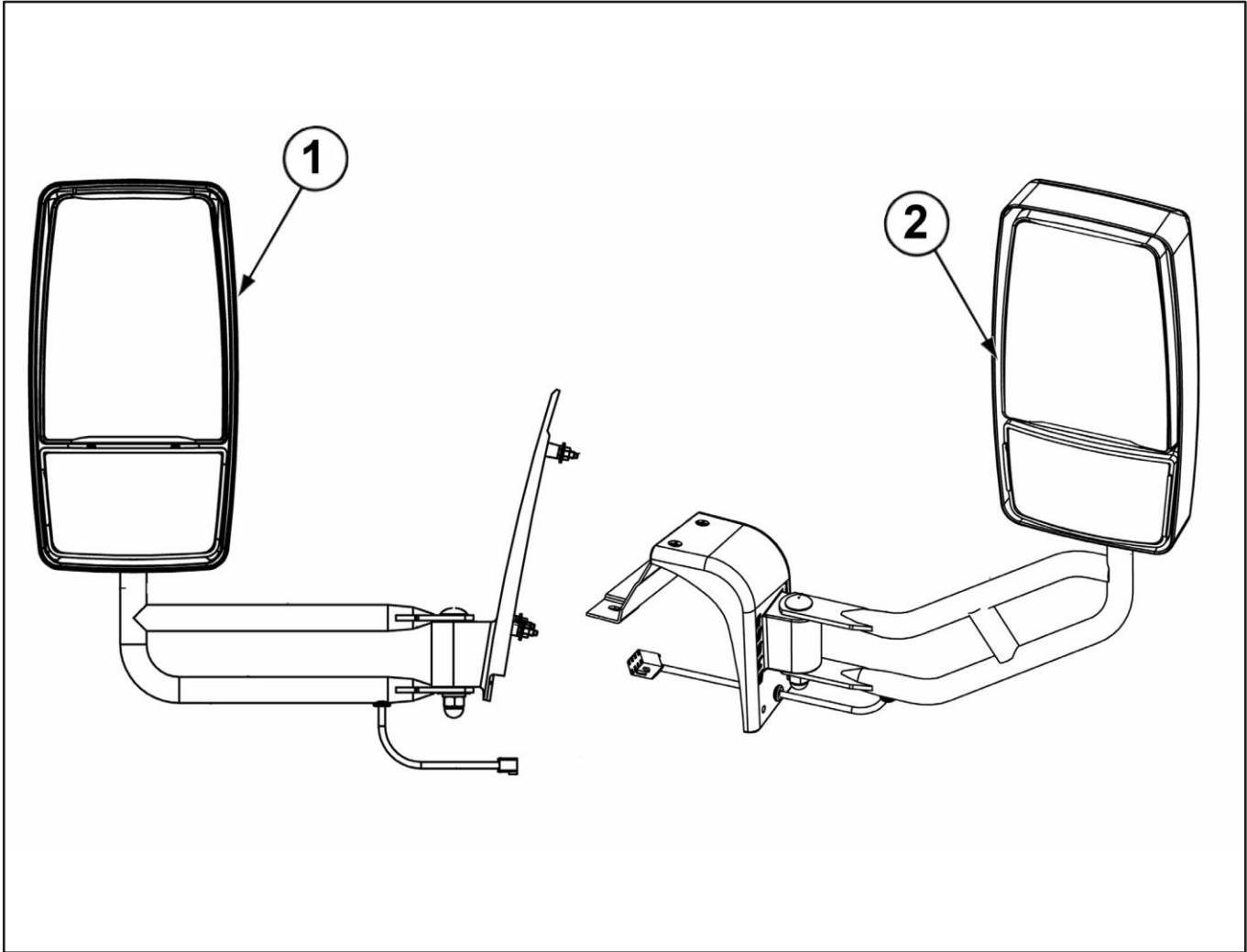
**exterior mirrors-htd remote gm610
0416276**

<i>ITEM PART NO. DESCRIPTION</i>	<i>QTY</i>	<i>ITEM PART NO. DESCRIPTION</i>	<i>QTY</i>
1 6170585 MIRROR, EXTER R/S REM-Heat	1		
2 6170584 MIRROR, EXTER C/S Remote-Heat	1		



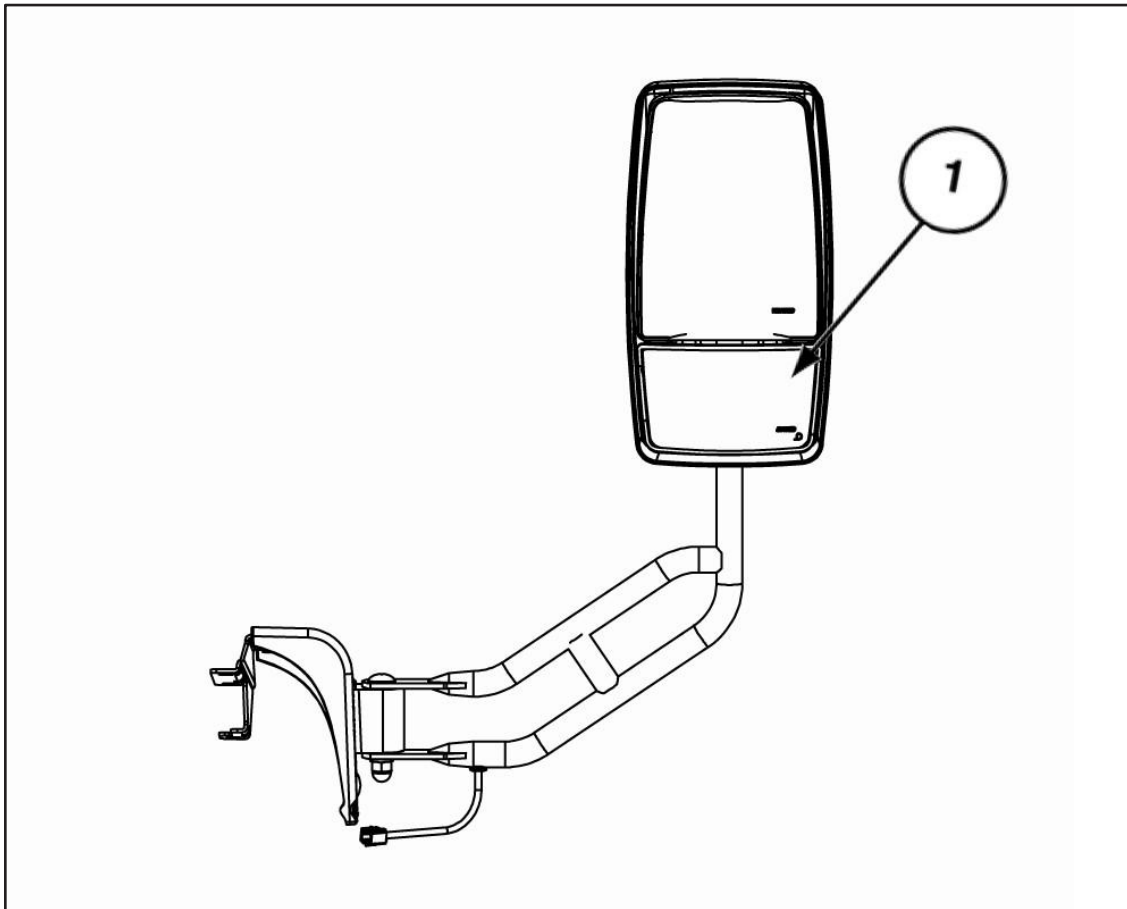
eurostyle mirrors (manual)
0416616

<i>ITEM</i>	<i>PART NO.</i>	<i>DESCRIPTION</i>	<i>QTY</i>	<i>ITEM</i>	<i>PART NO.</i>	<i>DESCRIPTION</i>	<i>QTY</i>
1	6170462	MIRROR, R/S MANUALGM610 (ROSCO)	1				
2	6170469	MIRROR, D/S MANUAL (ROSCO)	1				



**rosco mirrors, htd remote blk gm610
0417942**

<i>ITEM PART NO. DESCRIPTION</i>	<i>QTY</i>	<i>ITEM PART NO. DESCRIPTION</i>	<i>QTY</i>
1 6570561 Mirror, Ext RS Htd/Rmt Blk Patch G610	1		
2 6570563 Mirror, Ext CS Htd/Rmt Blk Patch G610	1		



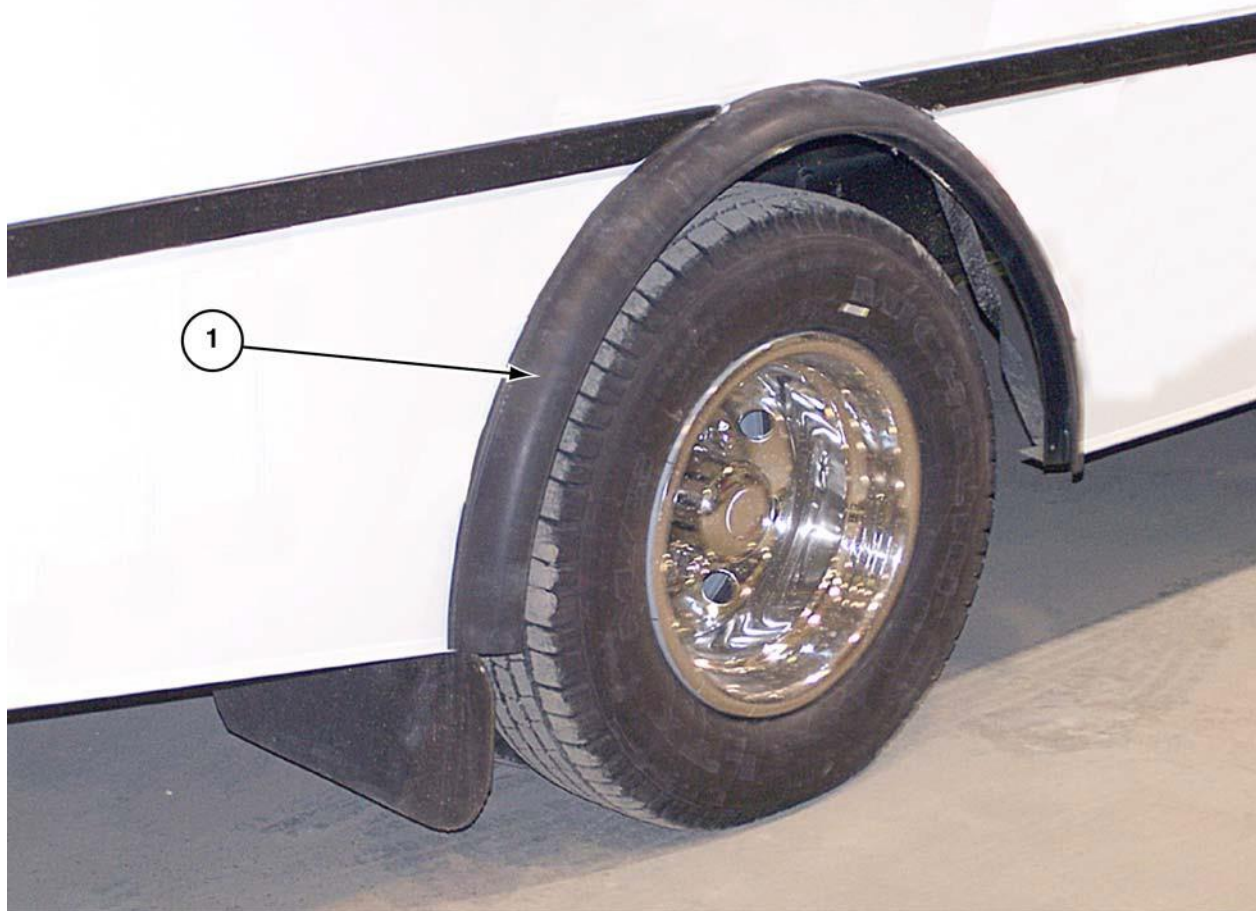
0,55256 +(\$7(' 5(027(

<i>ITEM PART NO. DESCRIPTION</i>	<i>QTY</i>	<i>ITEM PART NO. DESCRIPTION</i>	<i>QTY</i>
01 6170459 Mirror, Htd Remote PS W/Switches	1		
N/S 6170458 Mirror, Htd Remote DS W/Switches	1		



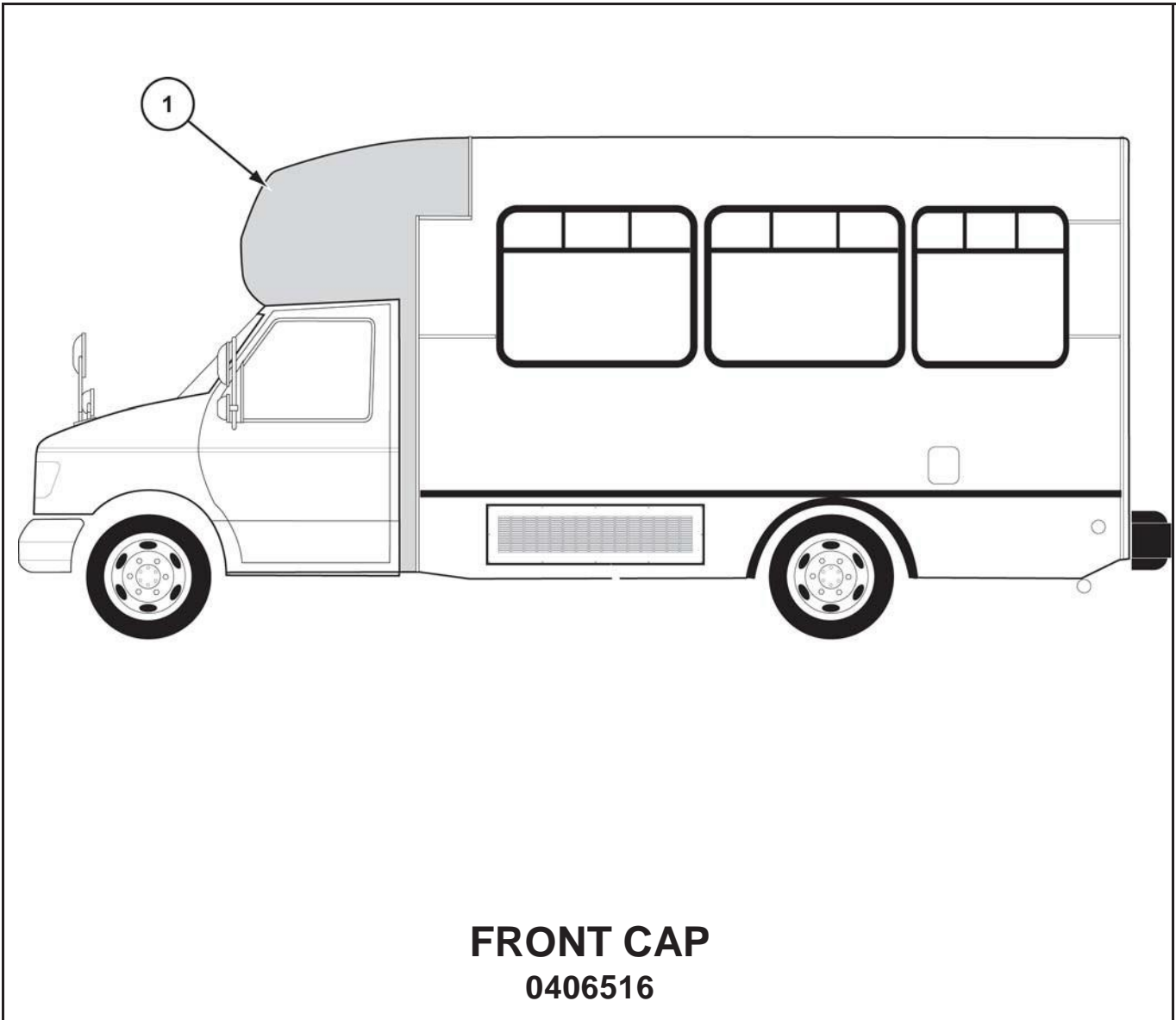
velvac exterior mirrors htd rmt - chevy 0420966

<i>ITEM</i>	<i>PART NO.</i>	<i>DESCRIPTION</i>	<i>QTY</i>	<i>ITEM</i>	<i>PART NO.</i>	<i>DESCRIPTION</i>	<i>QTY</i>
1	6170622	Mirror, Ext. Velvac HTD/RMT R/S Chevy	1				
2	6170623	Mirror, Ext. Velvac HTD/RMT C/S Chevy	1				
3	3975642	Switch, Kit Velvac Mirror Chevy 610	1				
4	6170619	Harness, Kit Mirror Exterior Velvac HTD/RMT	1				

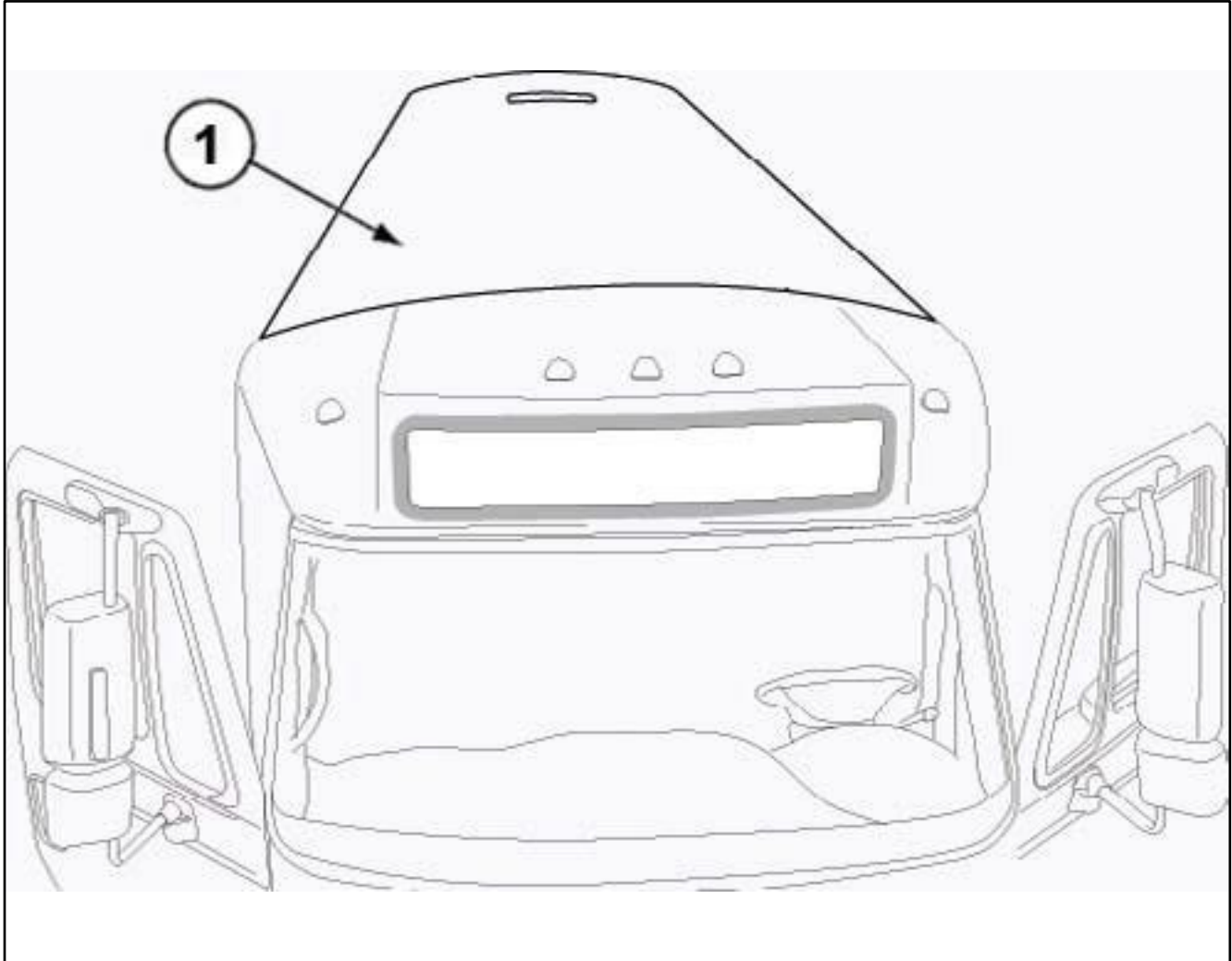


**REAR EXTRUSION
0402776**

<i>ITEM PART NO. DESCRIPTION</i>	<i>QTY</i>	<i>ITEM PART NO. DESCRIPTION</i>	<i>QTY</i>
01 3344942 EXTRUSION, FENDER 82178 50 FEET	A/R		

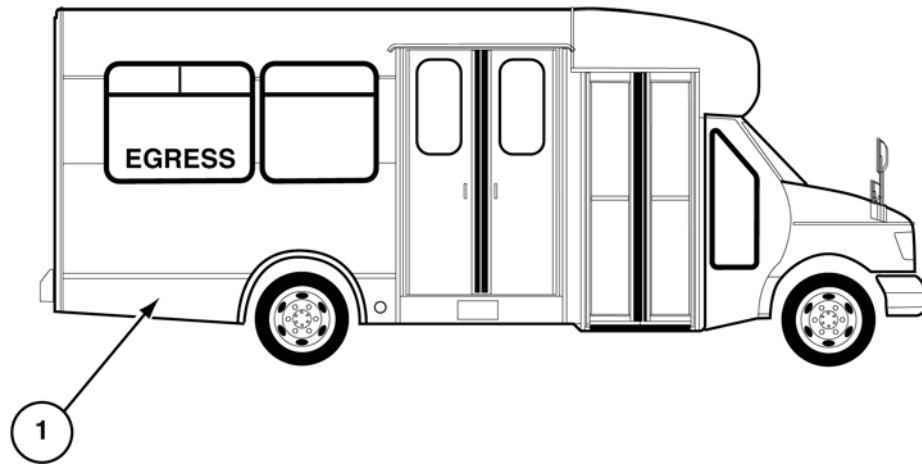
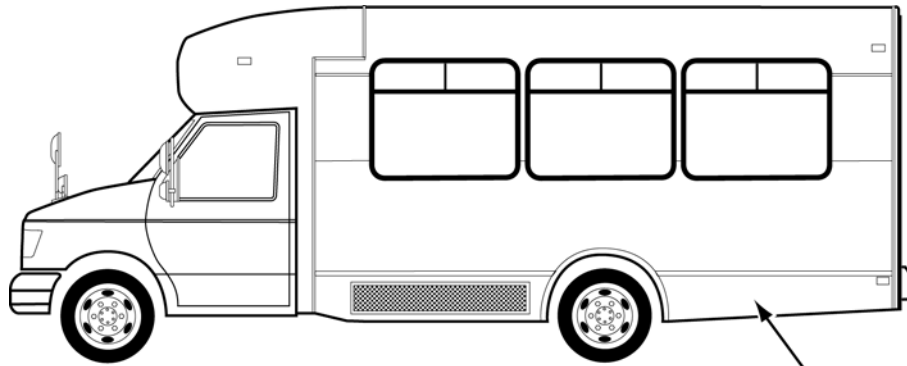


<i>ITEM PART NO. DESCRIPTION</i>	<i>QTY</i>	<i>ITEM PART NO. DESCRIPTION</i>	<i>QTY</i>
01 3371194 CAP, FRONT	1		
N/S 8970394 TAPE, WINDOW SEALEX SX1412 1/4 X 1/2	8		
N/S 4570101 TRACK, RVL ALUMINUM TRIM 2 (12') T6	2		
N/S 334203/F COVER, RVL .13 LEG FROST WHITE 200'	A/R		



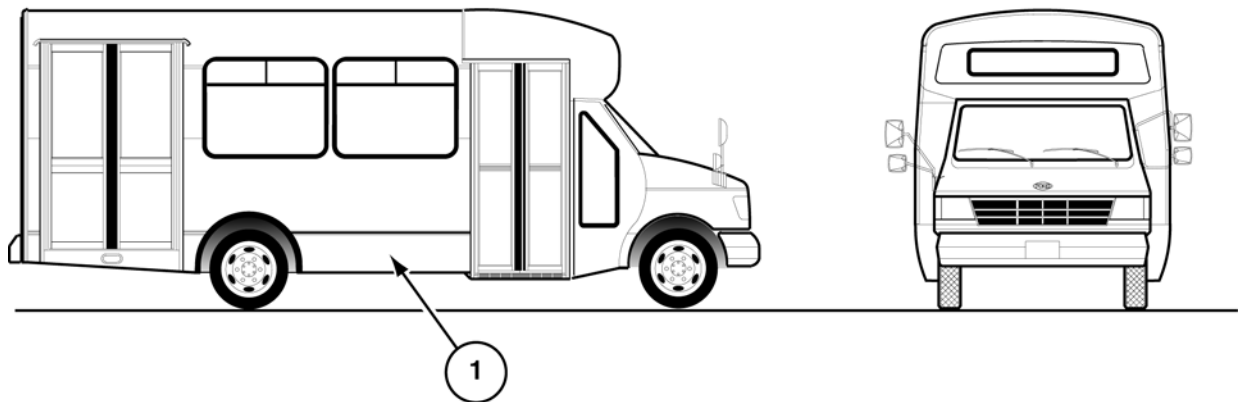
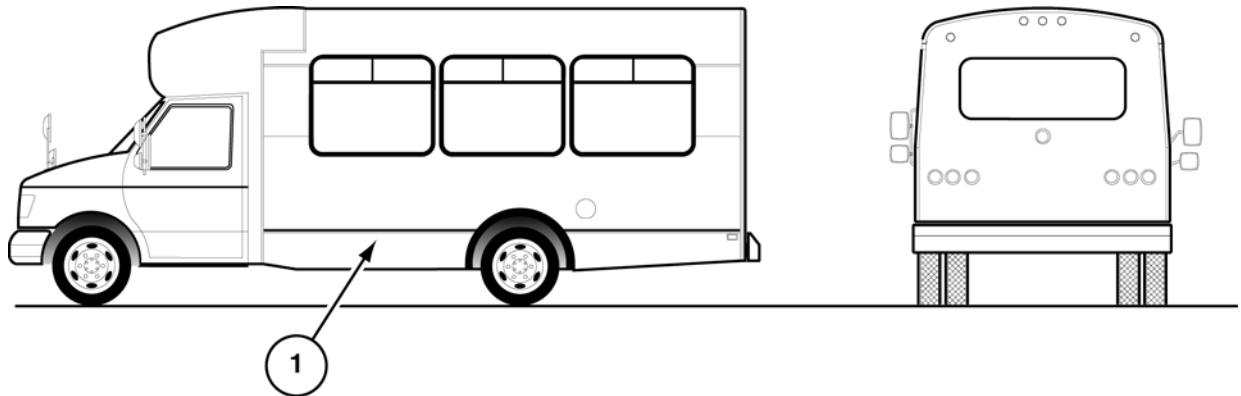
roof, tek-moto (1 piece rooftop)
0420545 / 0420544

<i>ITEM PART NO. DESCRIPTION</i>	<i>QTY</i>	<i>ITEM PART NO. DESCRIPTION</i>	<i>QTY</i>
NS 3371953 Sheating, Composite .060 x 108" W	AR	ALSO APPLIES TO THE FOLLOWING ASSEMBLIES:	
NS 8971257 Tape, 3M 4412N 3" x 15Yds Extreme	AR	0418314	
NS 0970161 Panel, AZDEL 36" x 96" RVX WA/BB	AR	0418373	
NS 4342879 Steel, Coil .021 x 36.0 Painted	AR	0420039	
NS 7970091 Adhesive, Spray Multi Purpose	AR	0420543	
		0420544	
		0420545	
		0420050	
		0420546	



SKIRT PAN METAL, 23' & 25'
0408132 / 0408133

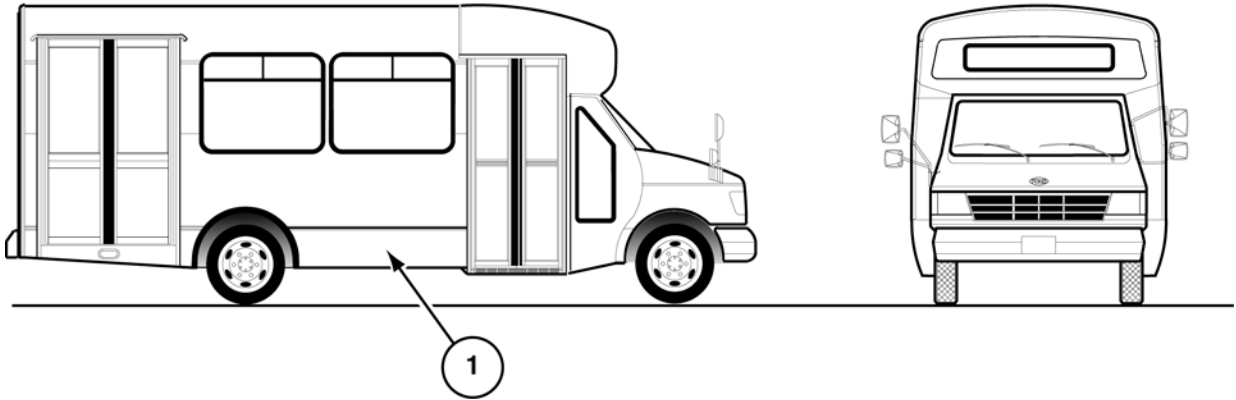
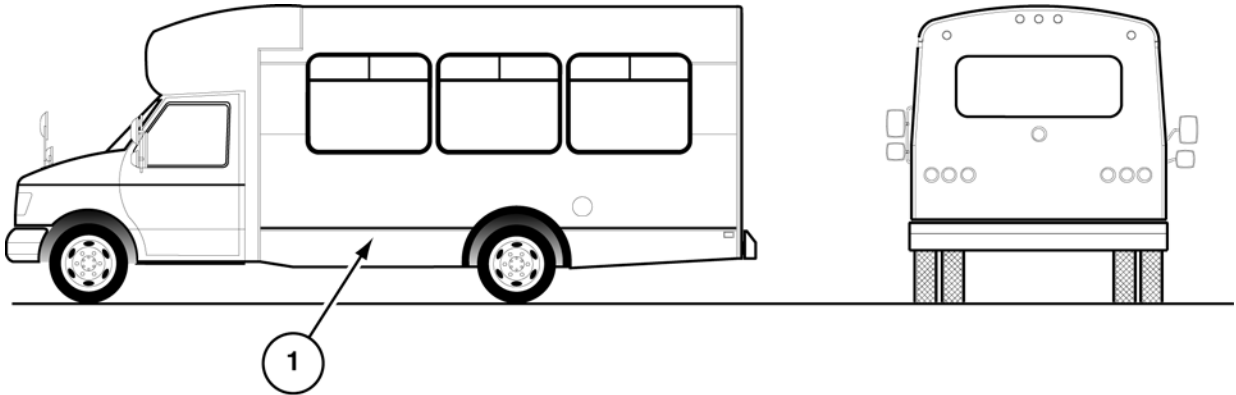
<i>ITEM</i>	<i>PART NO.</i>	<i>DESCRIPTION</i>	<i>QTY</i>	<i>ITEM</i>	<i>PART NO.</i>	<i>DESCRIPTION</i>	<i>QTY</i>
01	4342879	STEEL, COIL (.021 x 36")	CFQ				
N/S	0376281	HANGER, SIDE PAN 14"	9				
N/S	0376282	HANGER, SIDE PAN 10"	2				
N/S	0372771	SUPPORT, SIDE PAN 18.5"	9				
N/S	0374477	SUPPORT, SIDE PAN 27"	1				



SKIRT PAN METAL (FLAT FLOOR)

0408136

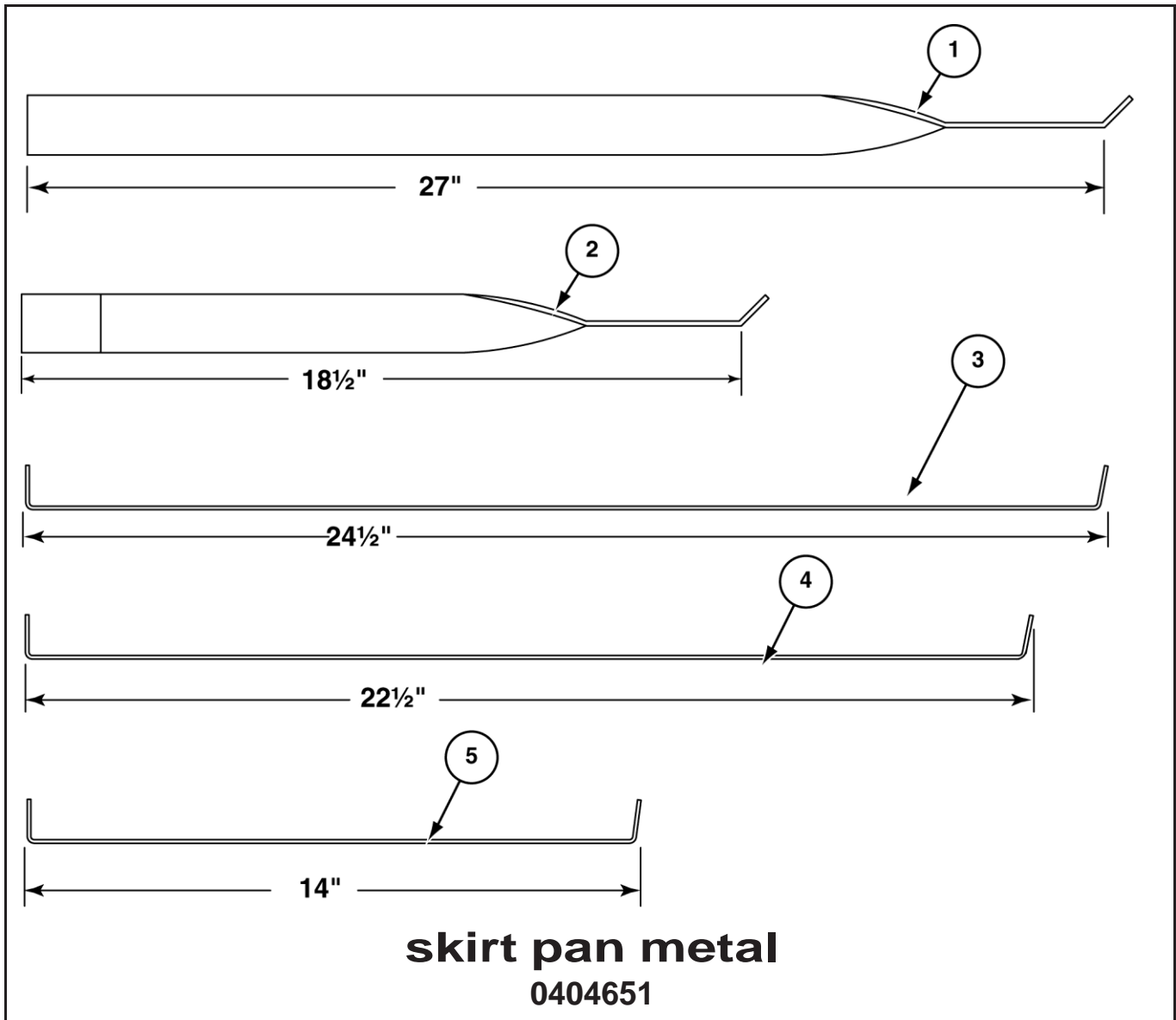
<i>ITEM PARTNO. DESCRIPTION</i>	<i>QTY</i>	<i>ITEM PARTNO. DESCRIPTION</i>	<i>QTY</i>
01 4370095 STEEL, COIL (.021 x 48.0) PAINTED	A/R		
N/S 0376280 HANGER, SIDE PAN (19.81)	9		
N/S 0376281 HANGER, SIDE PAN (14")	2		
N/S 0374477 SUPPORT, SIDE PAN (27")	7		
N/S 0372771 SUPPORT, SIDE PAN (18.5")	4		
N/S 0360446 ANGLE, 16GA (1.5 x 96.0) GALV.	A/R		
N/S 0377267 EXTENSION, FUEL FILL TUBE	1		
N/S 0377268 EXTENSION, VENT TUBE	1		



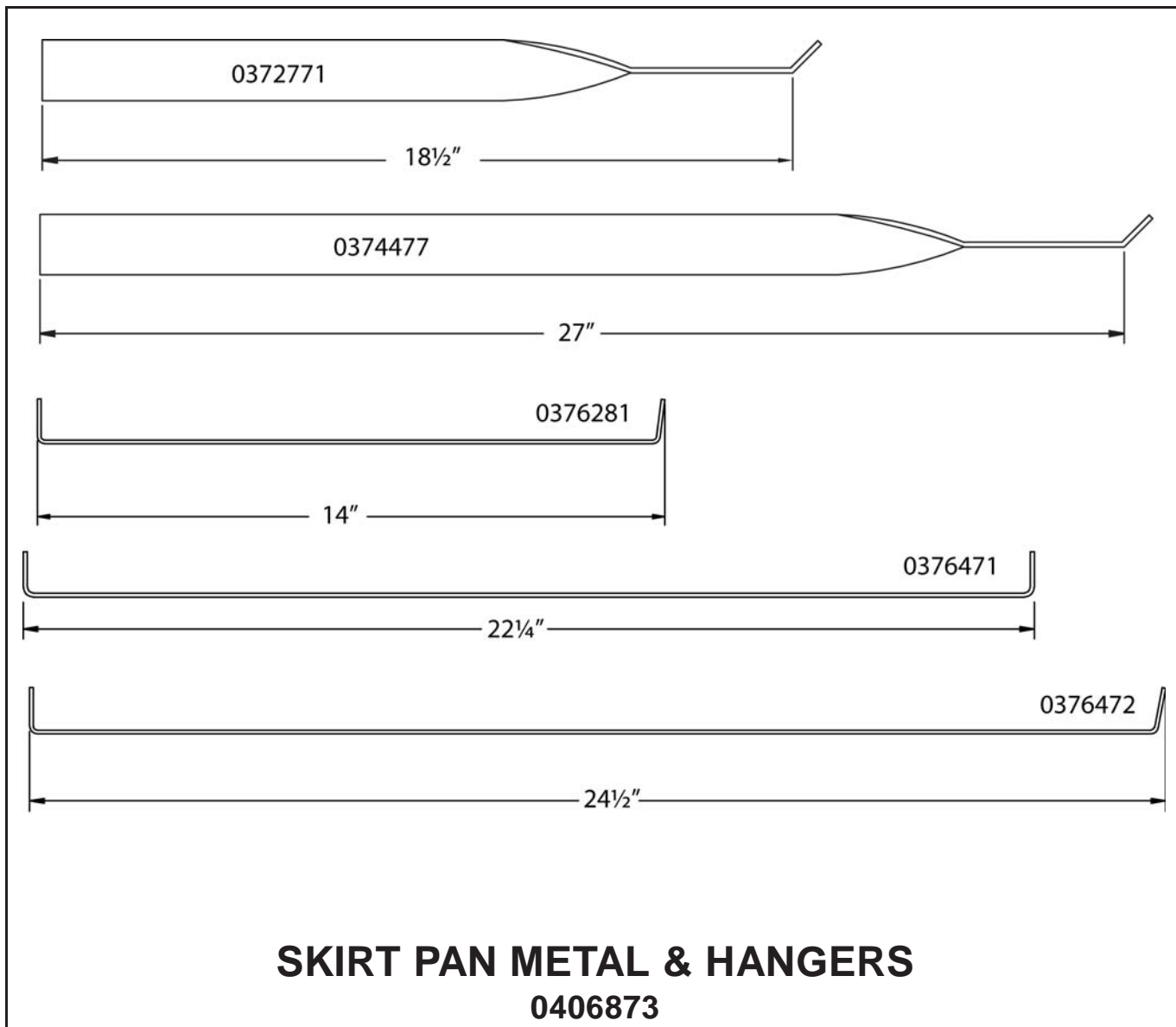
INSTALL SKIRT PAN METAL

0408137 / CH 25' FLAT FLOOR

<i>ITEM PARTNO. DESCRIPTION</i>	<i>QTY</i>	<i>ITEM PARTNO. DESCRIPTION</i>	<i>QTY</i>
01 4370095 STEEL, COIL (.021x48.0) PAINTED	A/R		
N/S 0376280 HANGER, SIDE PAN(19.81)	10		
N/S 0376281 HANGER, SIDE PAN(14")	2		
N/S 0374477 SUPPORT, SIDE PAN(27")	10		
N/S 0372771 SUPPORT, SIDE PAN(18.5")	2		
N/S 0360446 ANGLE, 16GA(1.5x96.0) GALV.	A/R		
N/S 0411433 INSTALL, FUEL FILL EXTENSION FF/CW			



ITEM PART NO.	DESCRIPTION	QTY	ITEM PART NO.	DESCRIPTION	QTY
1	0374477 SUPPORT, SIDE PAN 27"	8			
2	0372771 SUPPORT, SIDE PAN 18½"	2			
03	0376472 HANGER, SIDE PAN 24½"	6			
04	0376471 HANGER, SIDE PAN 22½"	12			
05	0376281 HANGER, SIDE PAN 14"	2			
N/S	4342879 STEEL, COIL	A/R			



<i>ITEM PART NO. DESCRIPTION</i>	<i>QTY</i>	<i>ITEM PART NO. DESCRIPTION</i>	<i>QTY</i>
01 0372771 SUPPORT, SIDE PAN (18½")	2		
02 0374477 SUPPORT, SIDE PAN (27")	10		
03 0376281 HANGER, SIDE PAN (14")	2		
04 0376471 HANGER, SIDE PAN (22")	12		
05 0376472 HANGER, SIDE PAN (24")	7		
N/S 4342879 STEEL COIL (.21 x 36")	CFQ		
N/S 0360446 ANGLE (1½" x 96") GALVANIZED	CFQ		
N/S 0376462 FILLER, REAR WHEELWELL "FRONT"	2		
N/S 0376463 FILLER, REAR WHEELWELL "REAR"	2		

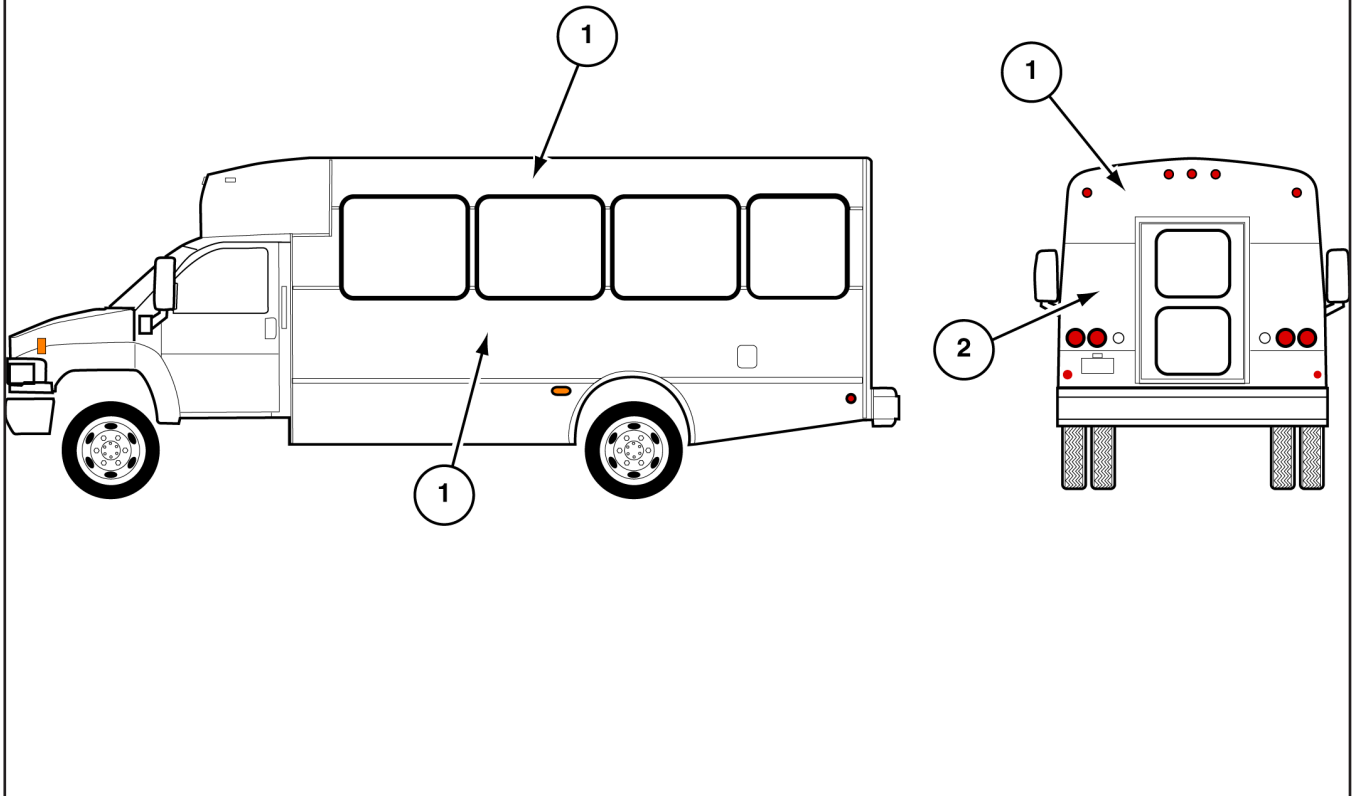
**BEFORE PLACING ORDER FOR
EXTERIOR GELCOAT PANELS
YOU MUST HAVE DIMENSION
REQUIRED FOR REPAIR**



**ExtErior GElcoat SKirt panEIS (non ff)
0417298**

<i>ITEM PART NO. DESCRIPTION</i>	<i>QTY</i>	<i>ITEM PART NO. DESCRIPTION</i>	<i>QTY</i>
01 3371920 Panel, Gelcoat 3.8 MM x 39.25 x 348	AR		
NS 0360446 Angle, 16GA x 1.0 x 1.5 x 96 Galv	3.5		
NS 0376281 Hanger, Side Pan 14 ft. (4 Degree)	8		
NS 0376282 Hanger, Side Pan 10 ft. (4 Degree)	2		
NS 0372771 Support, Side Pan 18.5"	10		
NS 4541124P Edge, Roof Polar White	2		
NS 0377027 Screen, Condensor 3 Fan 50 x 13	1		

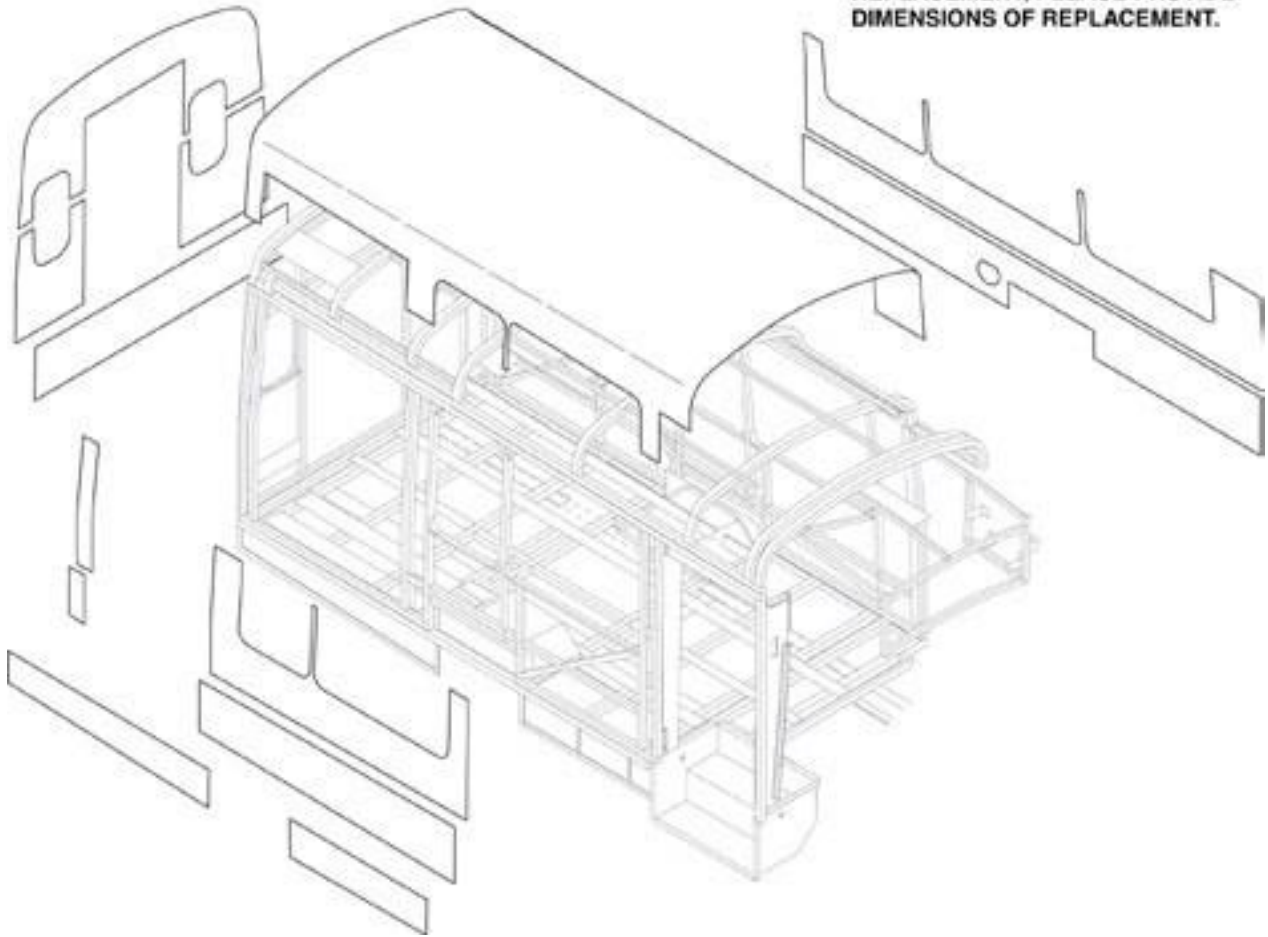
**BEFORE PLACING ORDER FOR
EXTERIOR GELCOAT PANELS
YOU MUST HAVE DIMENSION
REQUIRED FOR REPAIR**



ExtErior GElcoat panEls 0417300

<i>ITEM PART NO. DESCRIPTION</i>	<i>QTY</i>	<i>ITEM PART NO. DESCRIPTION</i>	<i>QTY</i>
01 3371920 Panel, Gelcoat 3.8MM x 39.1/4" x 348"	AR		
02 3371920 Panel, Gelcoat 3.8MM 348" x 48"	AR		
NS 0376281 Hanger, Side Pan 14', 4 Degree	AR		
NS 0376282 Hanger, Side Pan 10', 4 Degree	AR		
NS 0372771 Support, Side Pan 18.5"	AR		
NS 4541124P Edge, Roof Polar White	2		
NS 0377027 Screen, Condenser 3-Fan 50. x 13	1		

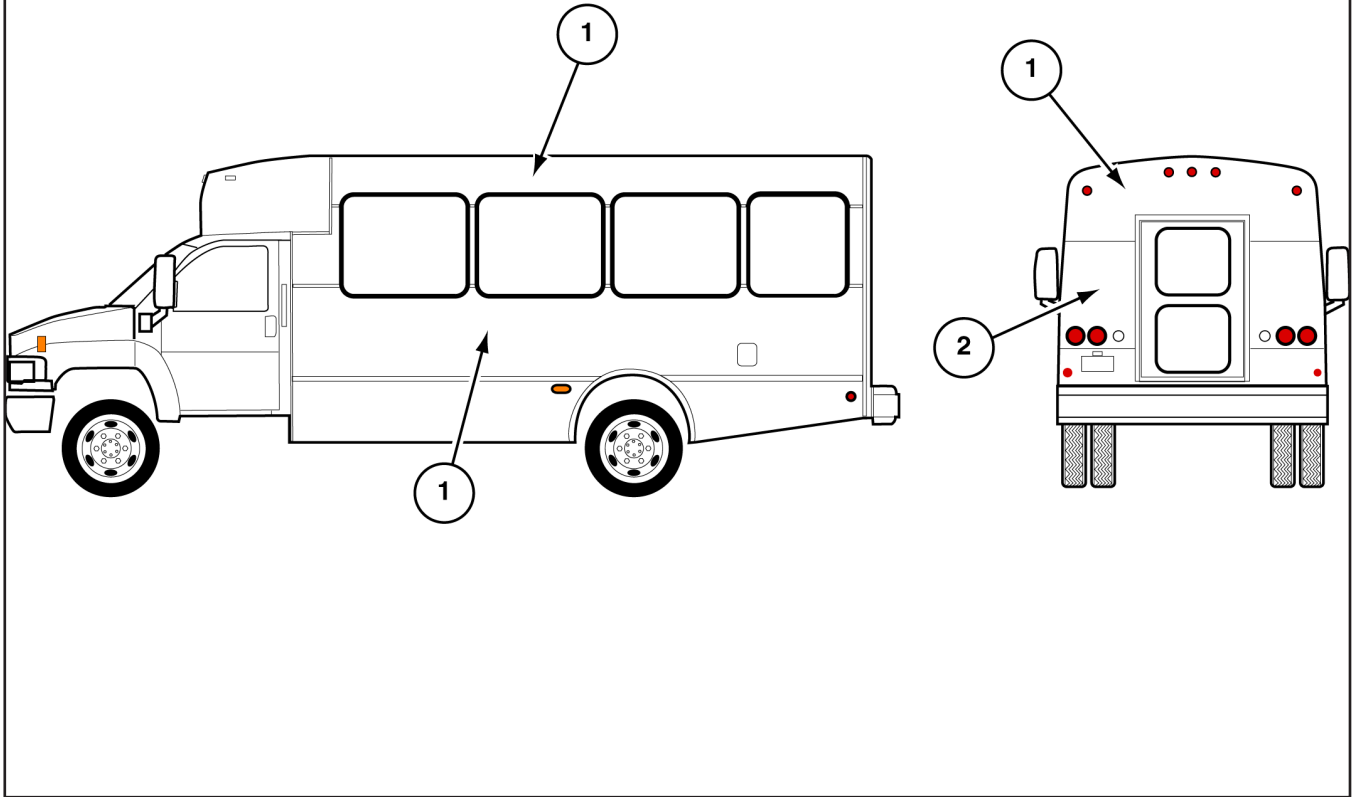
WHEN ORDERING SHEET METAL
REPLACEMENT, PLEASE PROVIDE
DIMENSIONS OF REPLACEMENT.



galvanized metal exterior 0056 / 0057 (rev-a)

ITEM	PART NO.	DESCRIPTION	QTY	ITEM	PART NO.	DESCRIPTION	QTY
00	4342879	Steel Coil .021 x 36.0 Painted	A/R	REFERS TO ALL ASSEMBLIES LISTED BELOW:			
	4370095	Steel Coil .021 x 48.0 Painted	A/R	CH-210-999-0056	DF-250-999-0057		
	0970014	Lauan, Raw 3.6MM x 48 x 96	A/R	CH-230-999-0056	DF-270-999-0057		
	7970057	Adhesive, C773-40 Contact 55 Gal.	A/R	CH-250-999-0056	DF-290-999-0057		
	7970058	Adhesive, C773-40 Contact 55 Gal.	A/R	CH-270-999-0056	DF-310-999-0057		
				CH-280-999-0056	BG-340-999-0057		
				CH-290-999-0056			
				CR-000-999-0056			
				CT-300-999-0056			
				CT-330-900-0056			
				CT-300-998-0056			
				CT-380-999-0056			

**BEFORE PLACING ORDER FOR
EXTERIOR GELCOAT PANELS
YOU MUST HAVE DIMENSION
REQUIRED FOR REPAIR**



ExtERior GEIcoat panEls

ch2700055247 / 0415268

<i>ITEM PART NO. DESCRIPTION</i>	<i>QTY</i>	<i>ITEM PART NO. DESCRIPTION</i>	<i>QTY</i>
01 0970115 Panel, Gelcoat 3.8MM 348" x 48"	AR		
02 0970115 Panel, Gelcoat 3.8MM 348" x 48"	AR		
NS 0970014 Lauan, Raw 3.6MM x 48 x 96	AR		

**BEFORE PLACING ORDER FOR
EXTERIOR GELCOAT PANELS
YOU MUST HAVE DIMENSION
REQUIRED FOR REPAIR**



**ExtErior GEIcoat SKirt panEIS
0417359 (rEV-a)**

<i>ITEM PART NO. DESCRIPTION</i>	<i>QTY</i>	<i>ITEM PART NO. DESCRIPTION</i>	<i>QTY</i>
01 3371971 Panel, CTEC 100 4MM x 348" x 48"	AR		
NS 4570139 Angle, Alum. 1 x 1.5 x 12' Anodized	4		
NS 0376281 Hanger, Side Pan 14 ft. (4 Degree)	2		
NS 0376471 Hanger, Side Pan 22.0 (4 Degree)	6		
NS 0376477 Support, Side Pan 27" All Floors	8		
NS 4541124P Edge, Roof Polar White	2		

**BEFORE PLACING ORDER FOR
EXTERIOR GELCOAT PANELS
YOU MUST HAVE DIMENSION
REQUIRED FOR REPAIR**



**ExtErior GEIcoat SKirt panEIS- GMt 25'
0417360 (FF) / 0417358 (non FF)**

<i>ITEM PART NO. DESCRIPTION</i>	<i>QTY</i>	<i>ITEM PART NO. DESCRIPTION</i>	<i>QTY</i>
01 3371920 Panel, Gelcoat 3.8 MM x 39.25 x 348 AR			
NS 4570139 Angle, 1 x 1.5 x 12' Anodized B	4		
NS 0376472 Hanger, Side Pan 24 (4 Degree)	6		
NS 0376470 Hanger, Side Pan 20.35" (4 Degree)	2		
NS 0374477 Support, Side Pan 27"	8		
NS 4541124P Edge, Roof Polar White	2		
NS 0377027 Screen, Condensor 3 Fan 50 x 13	1		

**BEFORE PLACING ORDER FOR
EXTERIOR GELCOAT PANELS
YOU MUST HAVE DIMENSION
REQUIRED FOR REPAIR**



**ExtErior GEIcoat SKirt panEIS (rEV-a)
0417301 / 0417302 / 0417303 (rEV-a)**

<i>ITEM PART NO. DESCRIPTION</i>	<i>QTY</i>	<i>ITEM PART NO. DESCRIPTION</i>	<i>QTY</i>
01 3371971 Panel, CTEC 100 4MM x 348" x 48"	AR		
NS 0360446 Angle, 16GA x 1.0 x 1.5 x 96 Galv	AR		
NS 0376281 Hanger, Side Pan 14 ft. (4 Degree)	AR		
NS 0376282 Hanger, Side Pan 10 ft. (4 Degree)	AR		
NS 0372771 Support, Side Pan 18.5"	AR		
NS 4541124P Edge, Roof Polar White	AR		
NS 0377027 Screen, Condensor 3 Fan 50 x 13	1		

**BEFORE PLACING ORDER FOR
EXTERIOR GELCOAT PANELS
YOU MUST HAVE DIMENSION
REQUIRED FOR REPAIR**



**ExtErior GEIcoat SKirt panEIS (GMt 27')
0417361**

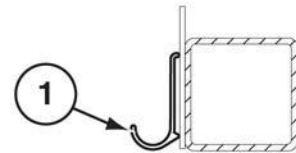
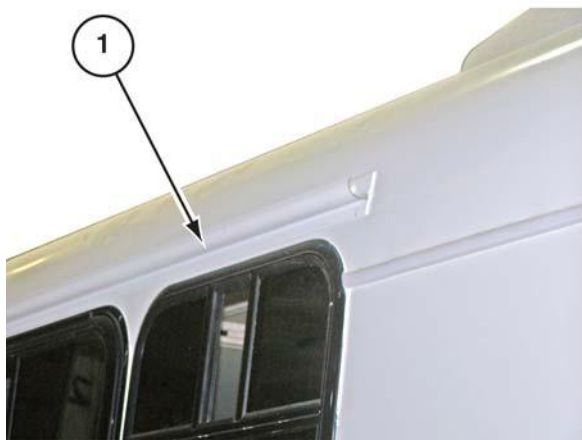
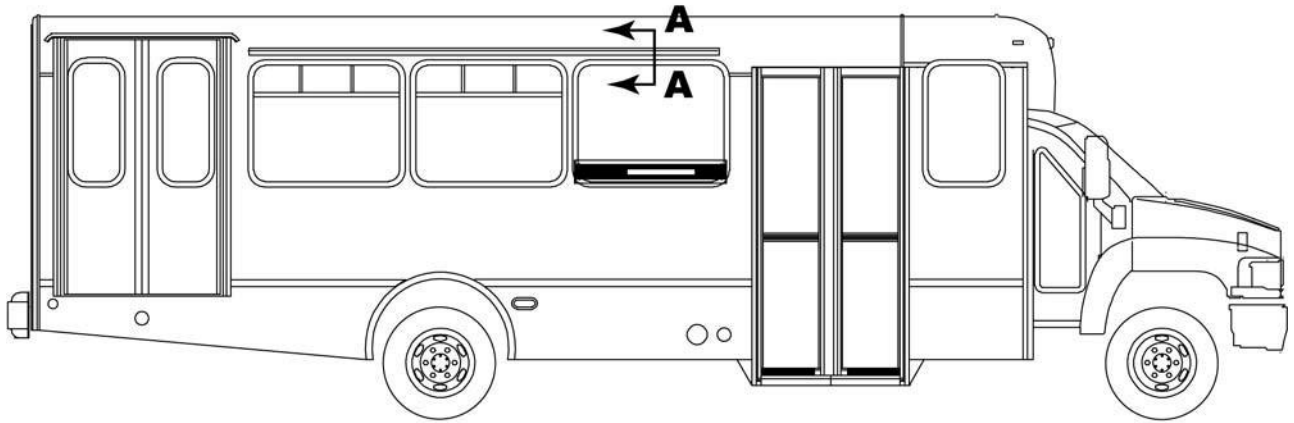
<i>ITEM PART NO. DESCRIPTION</i>	<i>QTY</i>	<i>ITEM PART NO. DESCRIPTION</i>	<i>QTY</i>
01 3371920 Panel, Gelcoat 3.8 MM x 39.25 x 348	AR		
NS 4570139 Angle, Alum 1.0 x 1.5 x 12' Anodized	4		
NS 0376281 Hanger, Side Pan 14' (4 Degree)	2		
NS 0376471 Hanger, Side Pan 22.00 (4 Degree)	6		
NS 0374477 Support, Side Pan 27" All Floors	8		
NS 4541124P Edge, Roof Polar White 16'	2		
NS 0377027 Screen, Condensor 3 Fan 50 x 13	1		



ExtErior GEIcoat PanEIs

0414608 (rEV-a) / 0415268 (rEV-a)

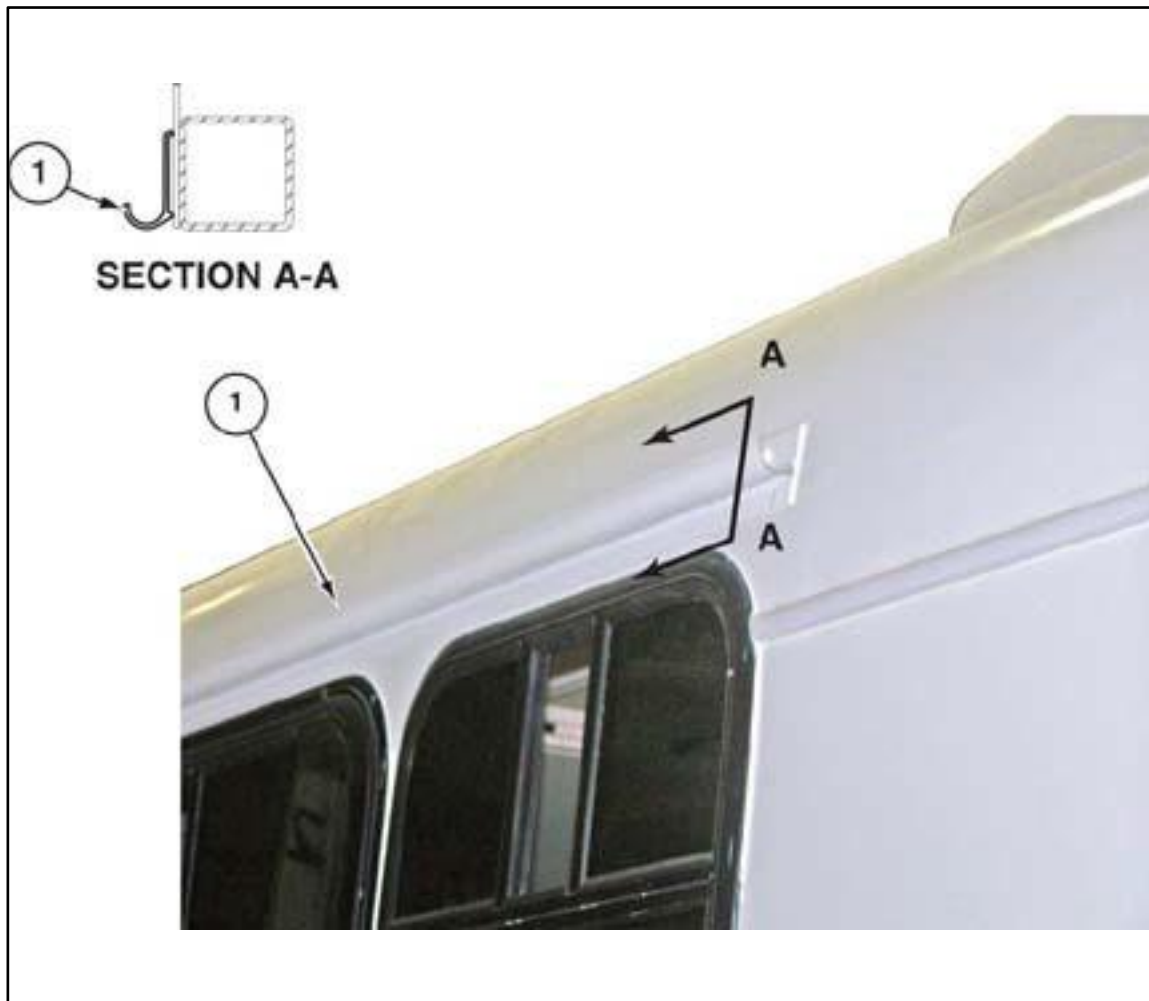
<i>ITEM PART NO. DESCRIPTION</i>	<i>QTY</i>	<i>ITEM PART NO. DESCRIPTION</i>	<i>QTY</i>
01 3371971 Panel, CTEC 100 4MM x 348" x 48" AR	AR		
NS 0970014 Lauan, Raw 3.6mm x 48 x 96	AR		



SECTION A-A

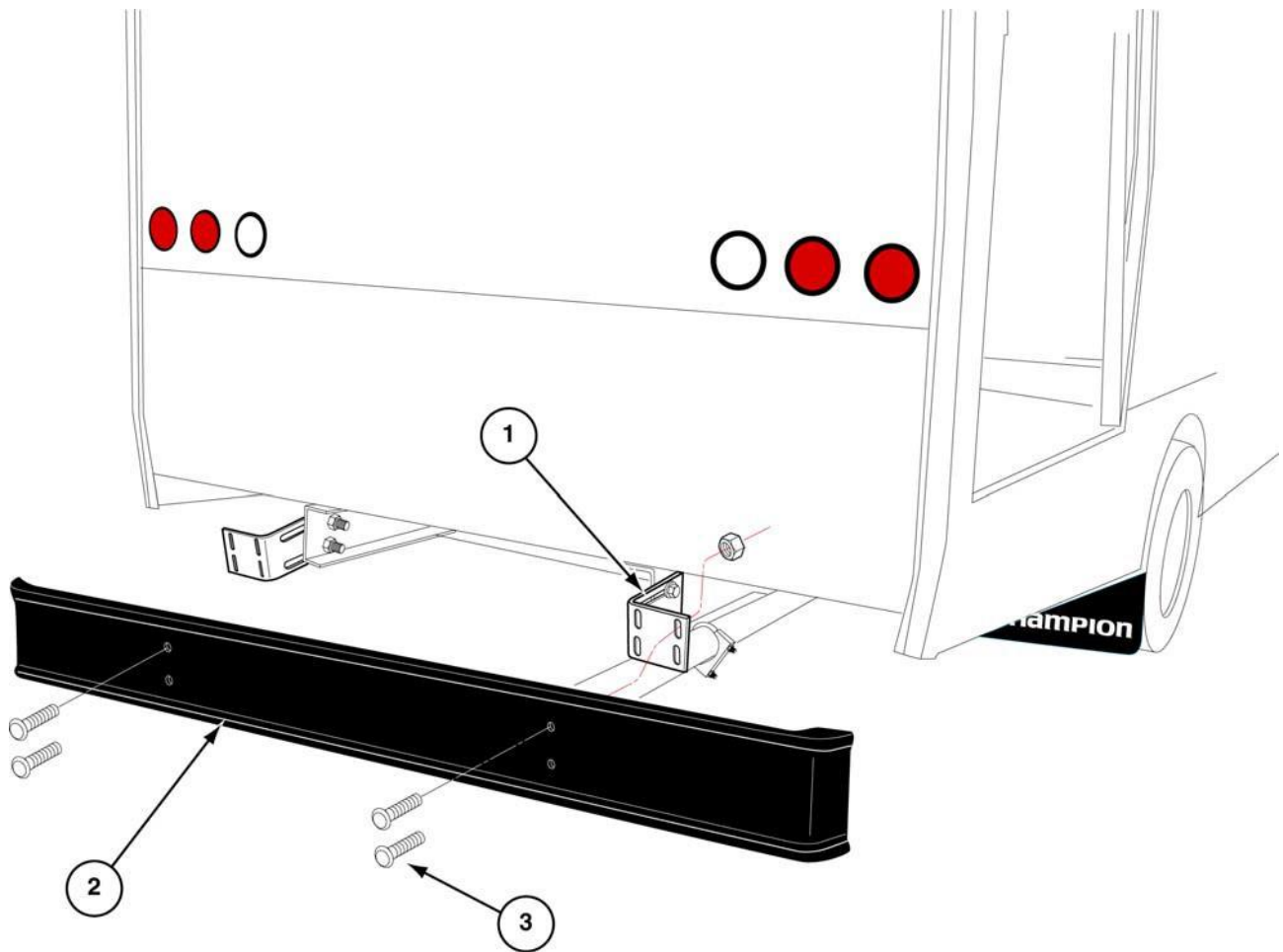
DRIP CAP LARGE 0413539

<i>ITEM PART NO. DESCRIPTION</i>	<i>QTY</i>	<i>ITEM PART NO. DESCRIPTION</i>	<i>QTY</i>
01 0378099 RAIL, DRIP 1.25 X 24' WHITE	2		
N/S 8970397 SEAL, COMPRI 1/8" X 3/4" X 50 FT	1.5		



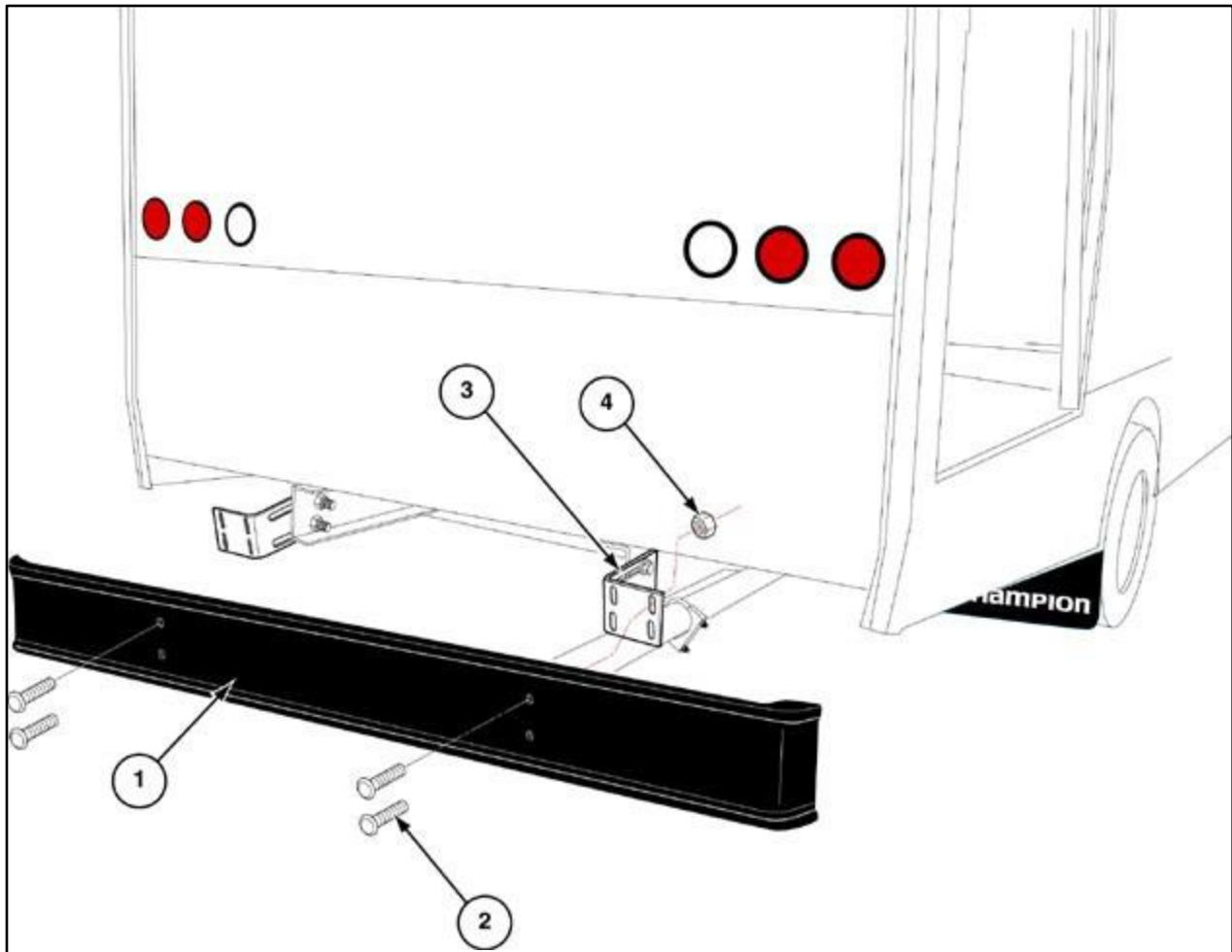
Drip moldings over windows 53250 Assemblies

<i>ITEM PART NO. DESCRIPTION</i>	<i>QTY</i>	<i>ITEM PART NO. DESCRIPTION</i>	<i>QTY</i>
01 0378099 RAIL, DRIP 1.25 x 24' WHITE	A/R	ALSO INCLUDES THE FOLLOWING ASSEMBLIES:	
N/S 8970397 SEAL, COMPRI 1/8" x 3/4" x 50'	A/R	CH2300053250	
		CH2500053250	
		DF2700053250	
		DF2900053250	
		DF3100053250	
		DF3500053250	
		DF3800053250	



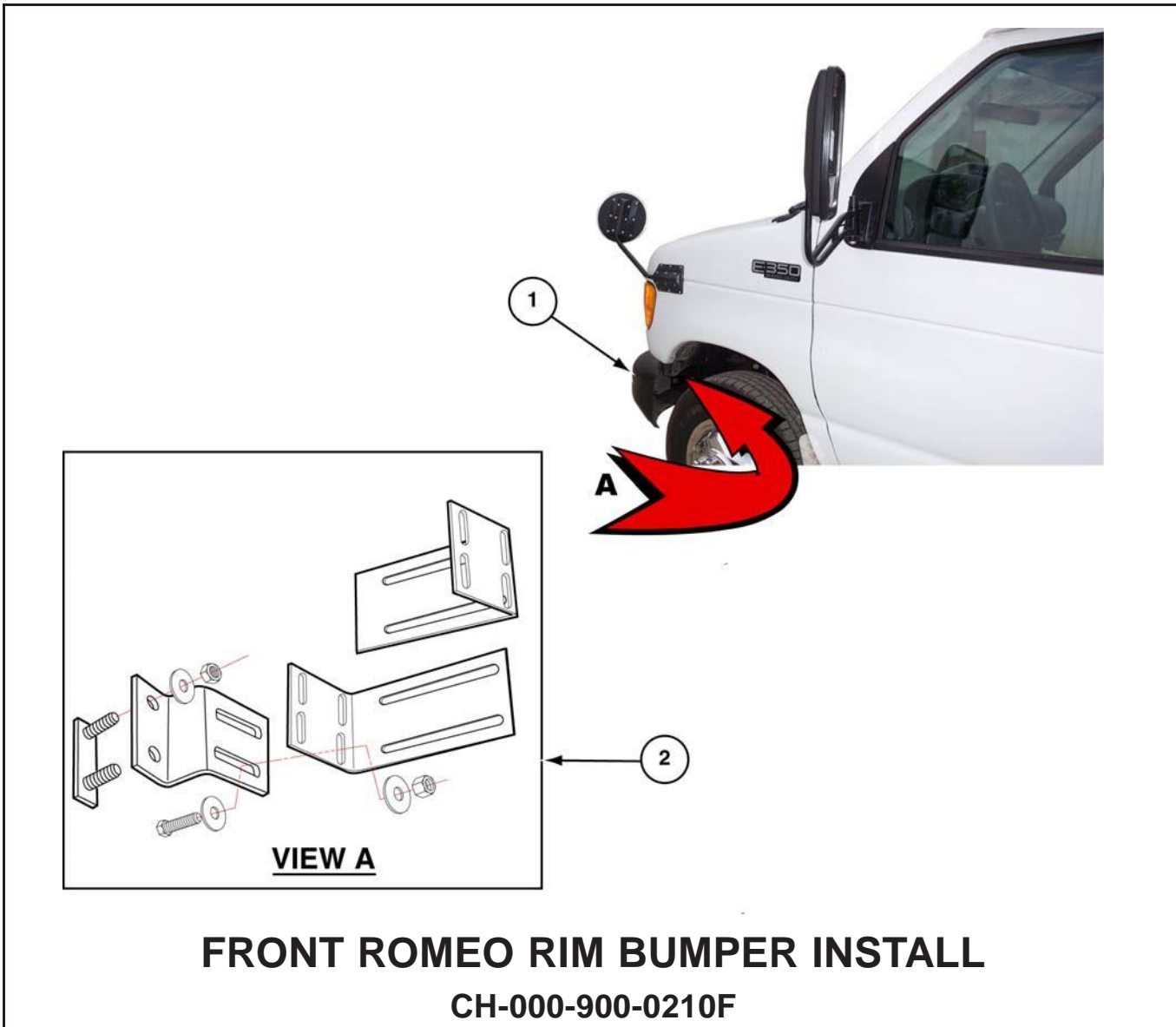
INSTALL STANDARD REAR BUMPER CH-000-999-S3201

ITEM	PARTNO.	DESCRIPTION	QTY	ITEM	PARTNO.	DESCRIPTION	QTY
1	0374478	BRACKET,MOUNTINGREARBUMPER	2				
2	0375852	BUMPER,REAR9x95.010GABLACK	1				
03	8540403	BOLT,BUMPER1/2x1-1/2" S/S	4				
NS	0375652	BRACKETREARBUMPERADAPTERADJUSTABLE	2				



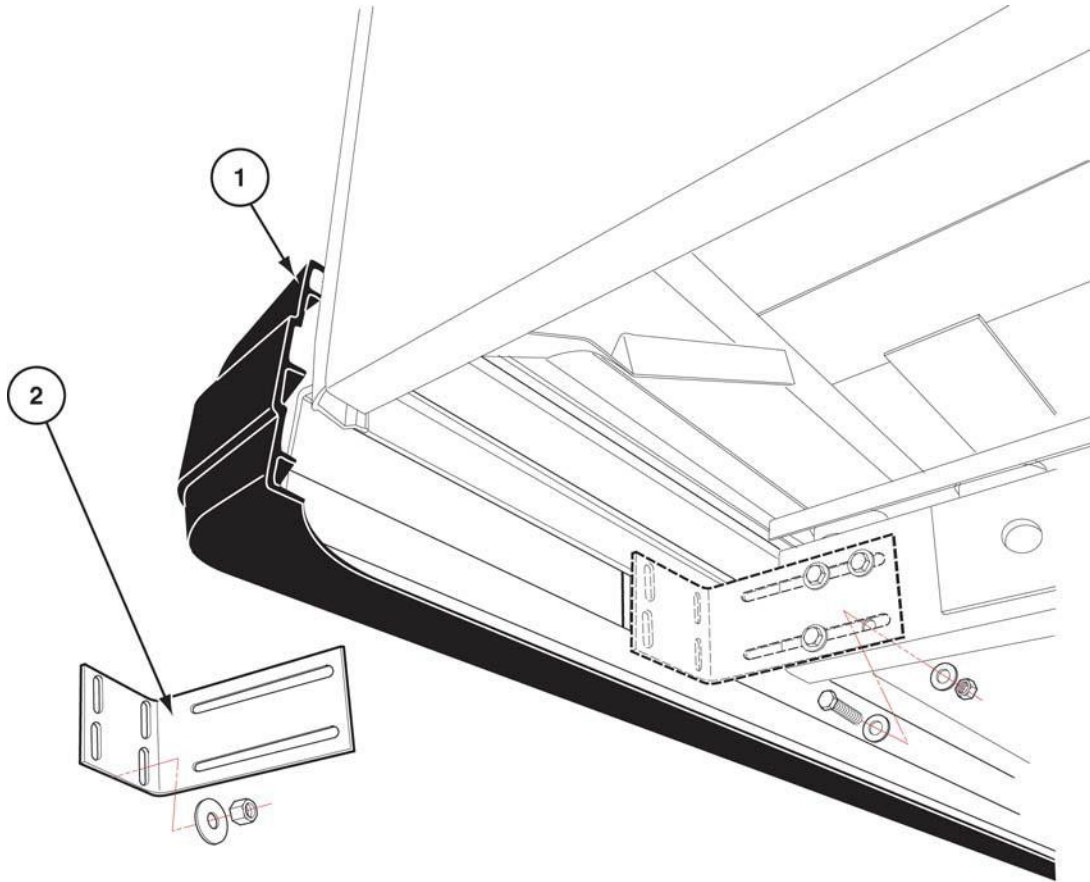
rear bumper ch/ct std - chevy
0407648 / ch-000-998-s3201

<i>ITEM PART NO. DESCRIPTION</i>	<i>QTY</i>	<i>ITEM PART NO. DESCRIPTION</i>	<i>QTY</i>
01 0375852 Bumper, Rear (9 x 95.0) 10GA Black	1	NS 0406166 Anti-Ride Rear Bumper	
02 8540403 Bolt, Bumper (1/2 x 1 1/2") S/S		NS 4370095 Steel, Coil .021 x 48 Painted	10
1		NS 7970043 Sealant, Bostik	AR
03 0375652 Bracket, Rear Bumper Adapter Adj	2	NS 8570819 Rivet, Pop 1/8 x .375-.624 GRP S/S	10
04 8541468 Nut, Hex (1/2 - 13) USS Nyloc GR8	8		
NS 8570768 Screw, (8 x 1 1/2) Pan Quad Blk Oxide	8		
NS 8570876 Washer, Flat (1/2) USS GR8	8		
NS 0375348 Bracket, Mnt Rear Bumper HRS	2		
NS 8540684 Bolt, Hex (1/2- 13 x 2") GR5	4		



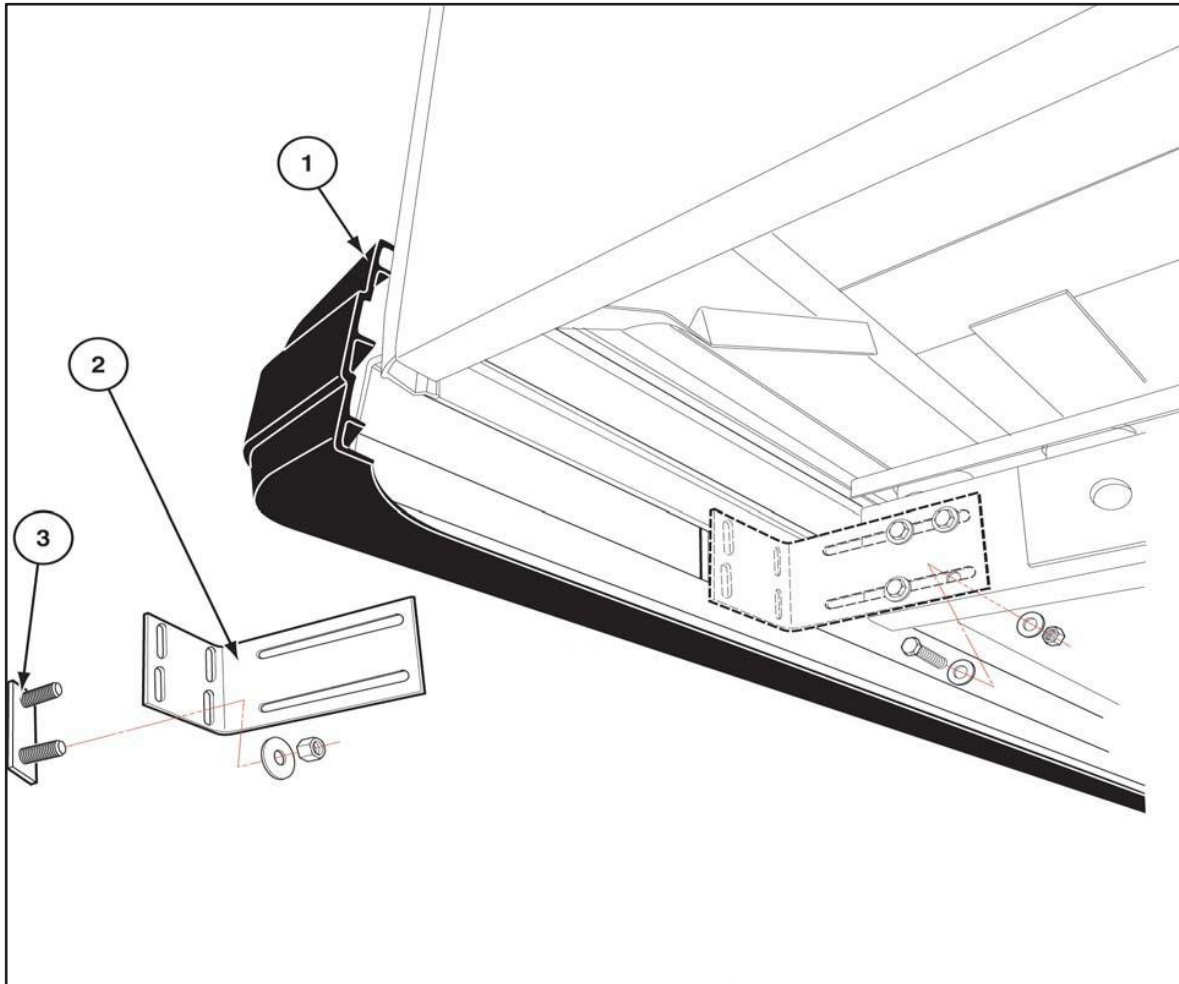
FRONT ROMEO RIM BUMPER INSTALL
CH-000-900-0210F

<i>ITEM</i>	<i>PARTNO.</i>	<i>DESCRIPTION</i>	<i>QTY</i>	<i>ITEM</i>	<i>PARTNO.</i>	<i>DESCRIPTION</i>	<i>QTY</i>
1	0170316	BUMPER,92" FRONT ROMEO RIM	1				
2	0170324	KIT, FRONT BUMPER BRACKET	1				



REAR BUMPER 0411062

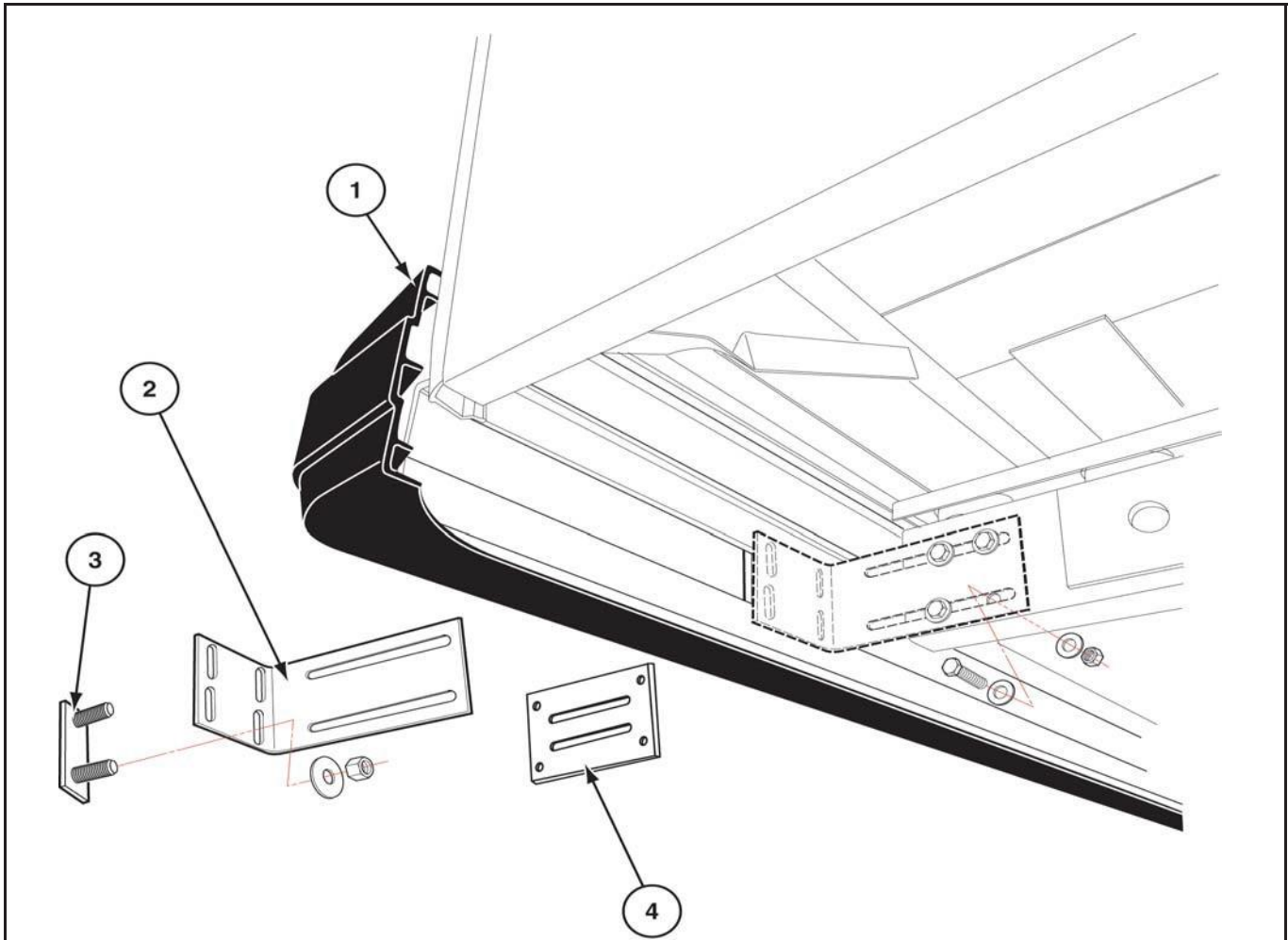
<i>ITEM PART NO. DESCRIPTION</i>	<i>QTY</i>	<i>ITEM PART NO. DESCRIPTION</i>	<i>QTY</i>
1 0170942 BUMPER, REAR (TRANSPEC - 97")	1		
2 0375348 BRACKET, BUMPER MOUNTING	2		



romeo rim rear bumper

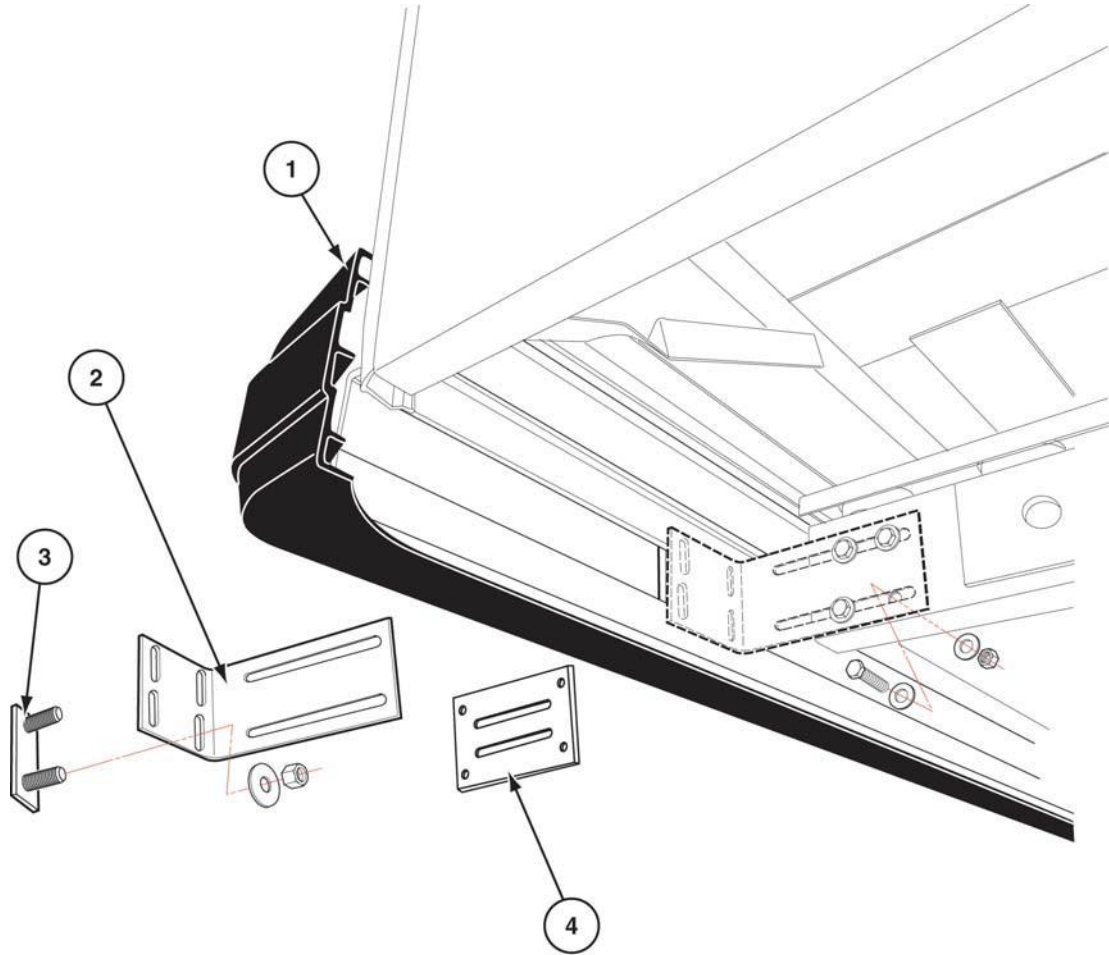
CH0000050002, 0403558

<i>ITEM PART NO. DESCRIPTION</i>	<i>QTY</i>	<i>ITEM PART NO. DESCRIPTION</i>	<i>QTY</i>
1 0170992 Bumper, Rear Romeo Full Wing	1		
2 0375348 Bracket, Bumper Ford/Chevy	2		
3 0356121 Bracket, Mounting Bolt 1½ x 4½	4		
NS 8570541 Bolt, Hex ½ - 13 x 3¼ GR5 HHCS	8		
NS 8541468 Nut, Hex ½" USS Nyloc GR8	8		
NS 8570876 Washer, Flat 1/2 USS GR8	8		



**ROMEO RIM REAR BUMPER CHEVY
CH-000-900-0210C, 0403558C**

<i>ITEM</i>	<i>PART NO.</i>	<i>DESCRIPTION</i>	<i>QTY</i>	<i>ITEM</i>	<i>PART NO.</i>	<i>DESCRIPTION</i>	<i>QTY</i>
1	0170992	BUMPER, ROMEO RIM REAR	1				
2	0375348	BRACKET, BUMPER	2				
3	0356121	BRACKET, MOUNTING BOLT	4				
4	NOT USED						



ROMEO RIM BUMPER W/HAWKEYE DETECTOR

0414338

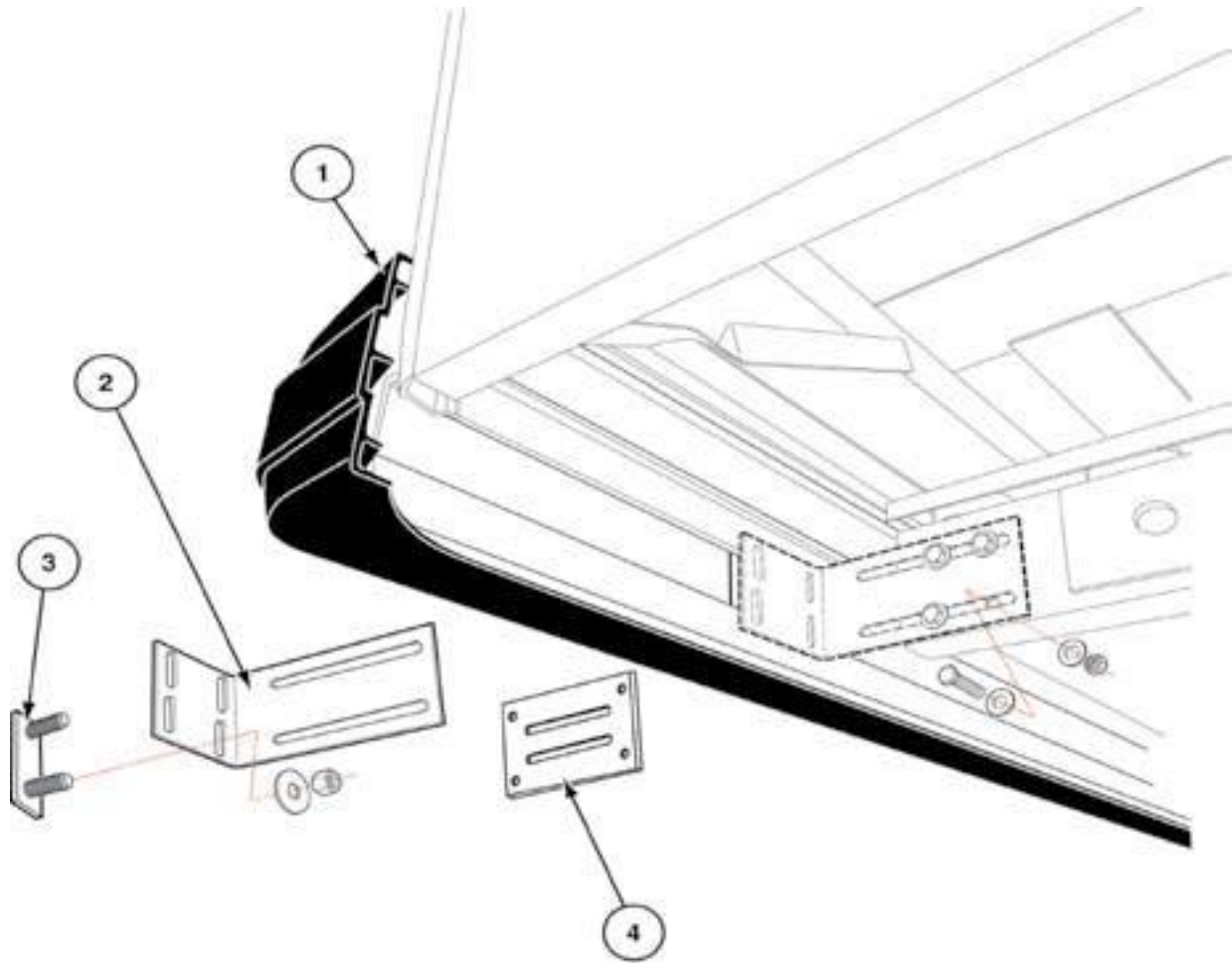
<i>ITEM PART NO. DESCRIPTION</i>	<i>QTY</i>	<i>ITEM PART NO. DESCRIPTION</i>	<i>QTY</i>
1 0170989 BUMPER, ROMEO RIM W/HAWKEYE DETECTOR	1		
2 0375348 BRACKET, BUMPER MOUNTING	2		
3 0377948 PLATE, REAR BUMPER MOUNTING (PART-B)	4		
4 0377851 PLATE, REAR BUMPER MOUNTING (PART-A)	2		



Romeo Rim Rear step bumper - 94" 0420703

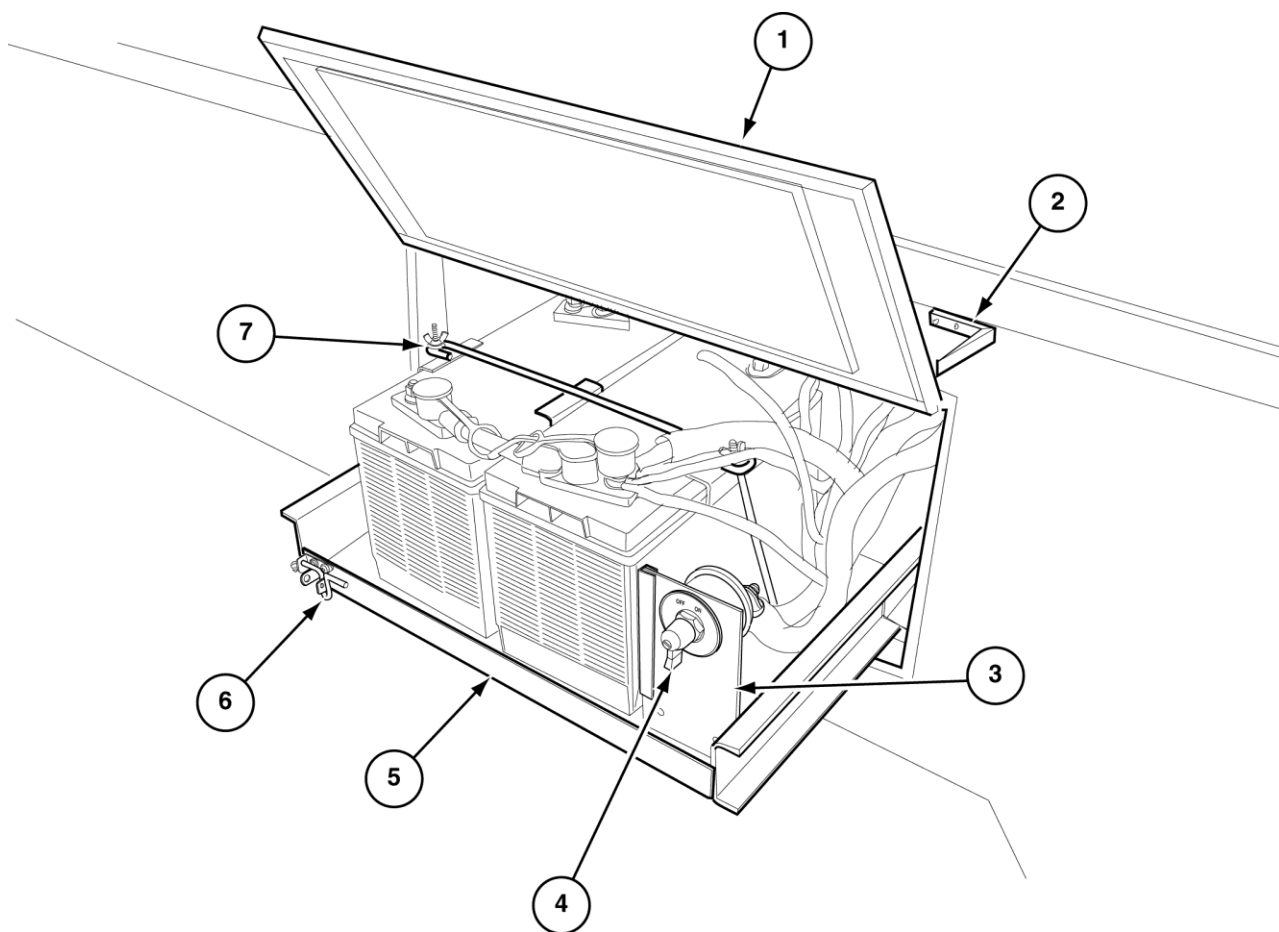
<u>ITEM</u>	<u>PART NO.</u>	<u>DESCRIPTION</u>	<u>QTY</u>	<u>ITEM</u>	<u>PART NO.</u>	<u>DESCRIPTION</u>	<u>QTY</u>
01	0171218	Bumper, Romeo Rim Rear Step 94"	1				
NS	0356121	Bracket, Mounting Bolt 1½ x 4½	4				
NS	0375348	Bracket, Bumper	2				
NS	0380117	Hanger, Exhaust 7.5" Extension	1				

NOTE: *Picture may not represent actual bumper. Will be updated when pictures are available.*



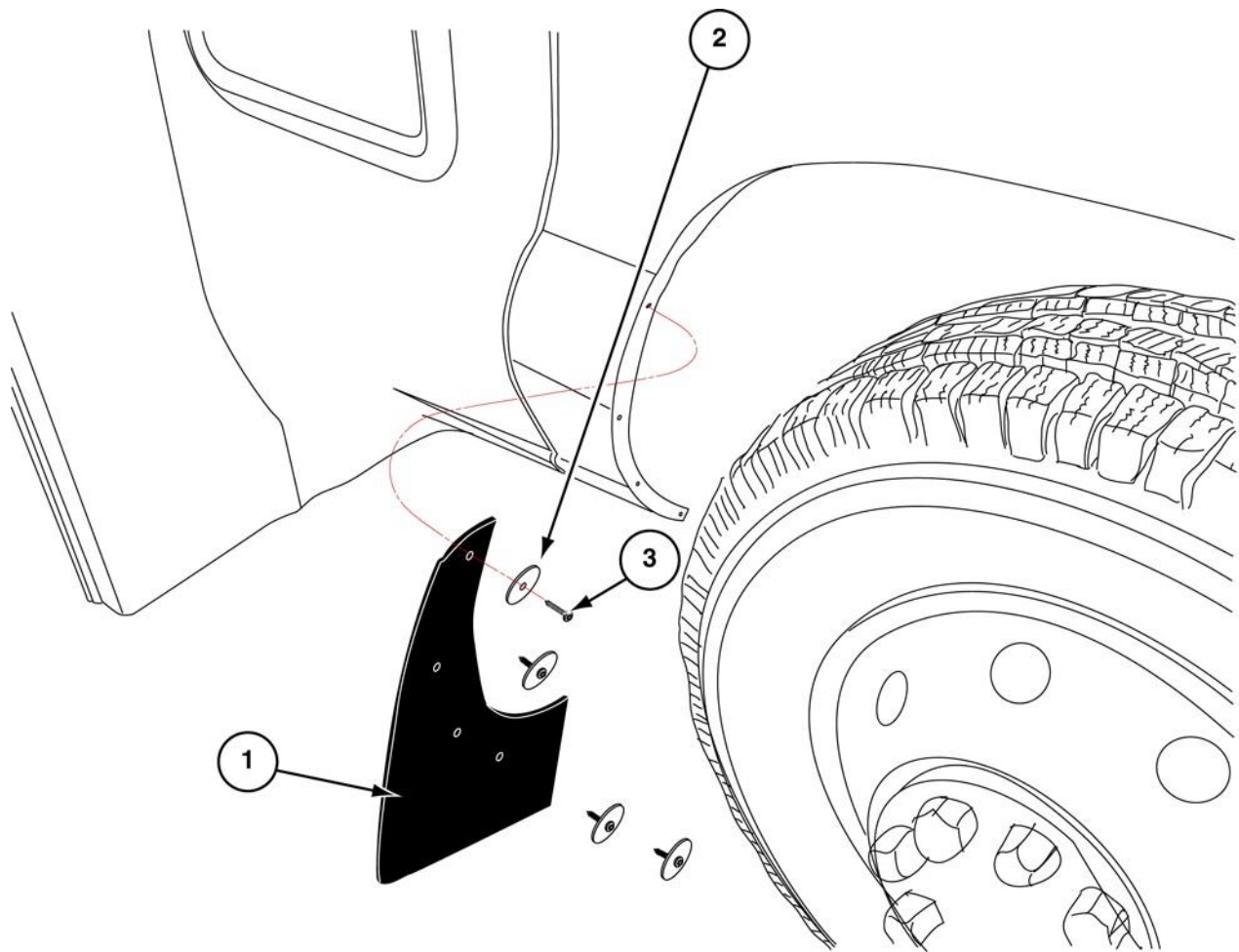
rear transpec BUMper W/HaWKeYe - 97"
0420562

<i>ITEM</i>	<i>PART NO.</i>	<i>DESCRIPTION</i>	<i>QTY</i>	<i>ITEM</i>	<i>PART NO.</i>	<i>DESCRIPTION</i>	<i>QTY</i>
1	0171215	Bumper, Rear Transpec W/Hawkeye 97"	1				
2	0375348	Bracket, Bumper Mount (FRD-GM)	2				
3	0375652	Bracket, Rear Bumper Adapter Adjustment	2				
4	0377851	Plate, Mount Rear Bumper (PART A)	2				
NS	4342879	Steel, Coil .021 x 36.0 Painted	2				



INSTALL bATTERY box w/TrAy 0410430 (reV-D)

ITEMPART NO.	DESCRIPTION	ITEMPART NO.	DESCRIPTION
01	5370598 DOOR, BATTERY (13.25 x 25.75)	1	
2	4941688 HOLDER, DOOR	1	
3	0379088 TRAY, BATTERY S/S PT-2 SS	1	
4	3973353 MASTER DISCONNECT SWITCH	1	
5	0377419 BOX, BATTERY I-II-IV 2002 ASSY	1	
6	4970517 LATCH, SLIDING BOLT	2	
7	0376604 BRACKET, BATTERY TIEDOWN 304 S/S	4	
NS	0170808 SLIDE, BASIC 3320 14"	2	
NS	0379043 STOP, BATTERY TRAY .75" X 1.5" X 12	1	
NS	3371421 COVER, SCREW ELXR WHITE (200 P/BX) AR		
NS	8571562 FASTENER, 3/16 x .040- .354 KLAMPTITE	2	



FRONT MUD FLAP INSTALL

CH-000-900-0605

<i>ITEM</i>	<i>PARTNO.</i>	<i>DESCRIPTION</i>	<i>QTY</i>	<i>ITEM</i>	<i>PARTNO.</i>	<i>DESCRIPTION</i>	<i>QTY</i>
01	0580027	FLAP,MUDFRONT	2				
02	8540940	WASHER,FLAT(3/16USS)	10				
03	8570936	SCREW(8x1 PANQUAD)	10				
N/S	8570910	WASHER,SHIM(3/16")	10				



40" RUNNING BOARD
CH-000-900-1828C

<i>ITEM</i>	<i>PART NO.</i>	<i>DESCRIPTION</i>	<i>QTY</i>	<i>ITEM</i>	<i>PART NO.</i>	<i>DESCRIPTION</i>	<i>QTY</i>
1	0377848	BOARD, RUNNING ALUMINUM	1				
2	0377448	MUD FLAP, FRONT	1				
N/S	0377914	BRACKET, RUNNING BOARD LEFT CHEVY	1				
N/S	0377915	BRACKET, RUNNING BOARD RIGHT CHEVY	1				



40" RUNNING BOARD

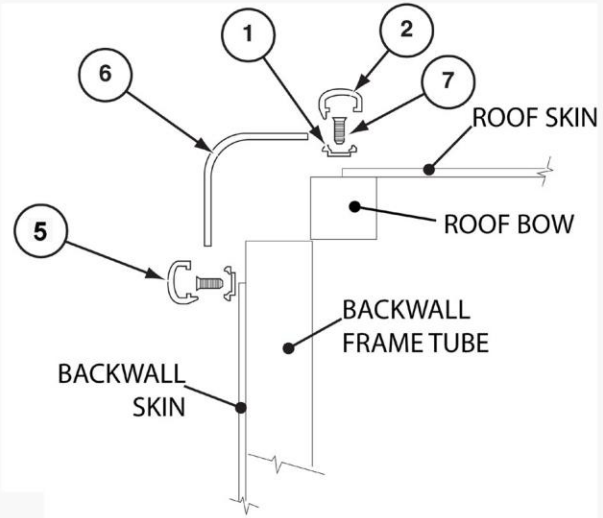
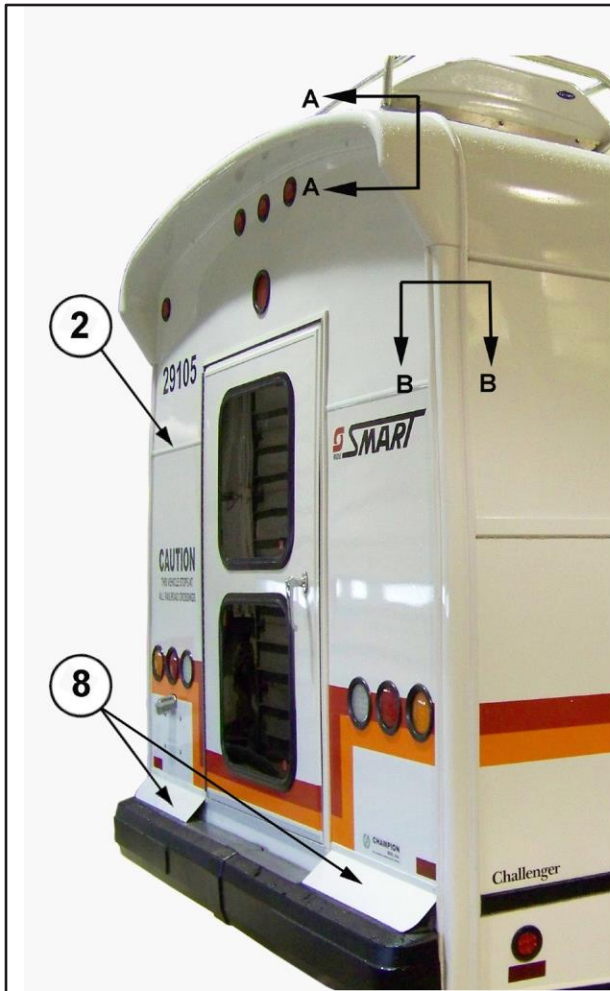
CH-000-900-1828 / CX000FF11828

<i>ITEM</i>	<i>PARTNO.</i>	<i>DESCRIPTION</i>	<i>QTY</i>	<i>ITEM</i>	<i>PARTNO.</i>	<i>DESCRIPTION</i>	<i>QTY</i>
1	0364695	BOARD,RUNNNGR/S 12" KIT	1				
2	0377448	MUDFLAP,FRONT	1				
N/S	0377682	BRACKET,SUPPORT RUNNINGBOARD	2				

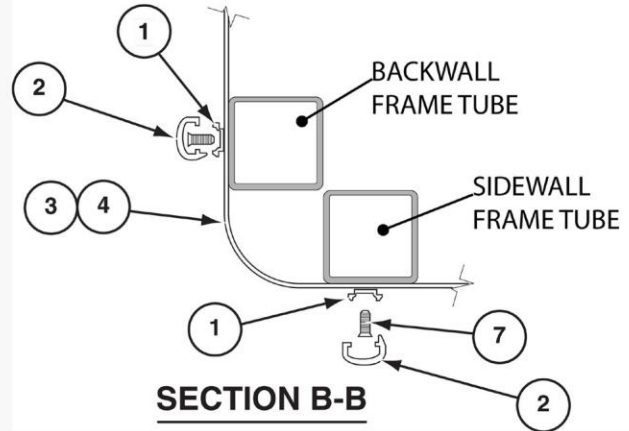


aluminum d/s running board
Cx000gj11828 - 0404031C

<i>ITEM PART NO. DESCRIPTION</i>	<i>QTY</i>	<i>ITEM PART NO. DESCRIPTION</i>	<i>QTY</i>
1 0377848 Board, Running Alum.	1		
2 0377850 Bracket, Running Board	1		
NS 4970671 Bumper, Rubber 80 Durometer	1		



SECTION A-A

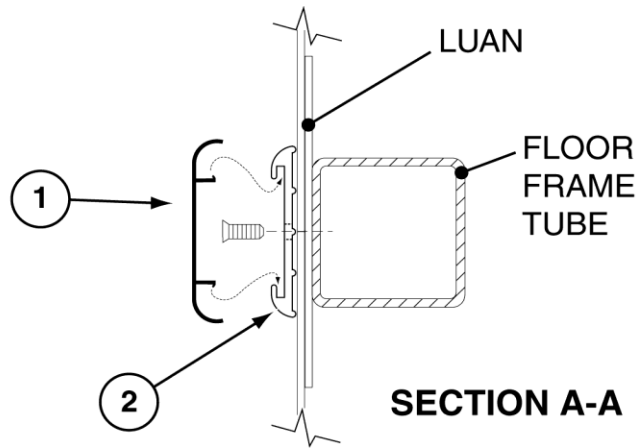
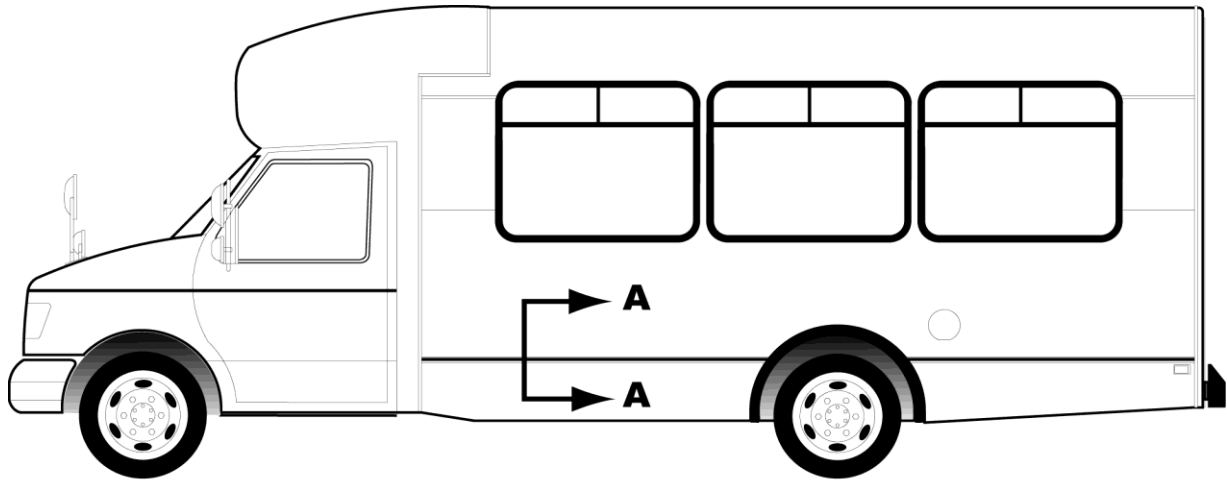


SECTION B-B

REAR FIBERGLASS TRIM PANELS

ch-000-999-3090

<u>ITEM</u>	<u>PART NO.</u>	<u>DESCRIPTION</u>	<u>QTY</u>	<u>ITEM</u>	<u>PART NO.</u>	<u>DESCRIPTION</u>	<u>QTY</u>
1	4570101	TRACK, RVL ALUMINUM TRIM 2 (12') T6	4				
2	3342037F	COVER, RVL .13 Leg Frost White	A/R				
3	3371203	TRIM, EXTERIOR Corner Fiberglass 4° C/S	1				
4	3371204	TRIM, EXTERIOR Corner Fiberglass 4° R/S	1				
5	4540266	TRACK, RVL ALUMINUM TRIM 2 (12') T4	1				
6	3371961	CAP, EXTENDED TOP REAR (PN-840)	1				
07	8570931	SCREW (8 x 1)	120				
08	4342879	DUST SHIELD, STEEL COIL PAINTED	2				
N/S	8570753	SCREW (10 x 1) PAN PHIL S/S BLACK	2				



RUB RAIL

0411274 (23' oR Less)

0411275 (25' oR gReAteR)

<i>ITEM</i>	<i>PART NO.</i>	<i>DESCRIPTION</i>	<i>QTY</i>	<i>ITEM</i>	<i>PART NO.</i>	<i>DESCRIPTION</i>	<i>QTY</i>
01	4570148	CAP, RUB RAIL 2" x 16' T-5	AR				
02	4570147	RAIL, RUB 2" WIDE x 16' WHITE T-5	AR				



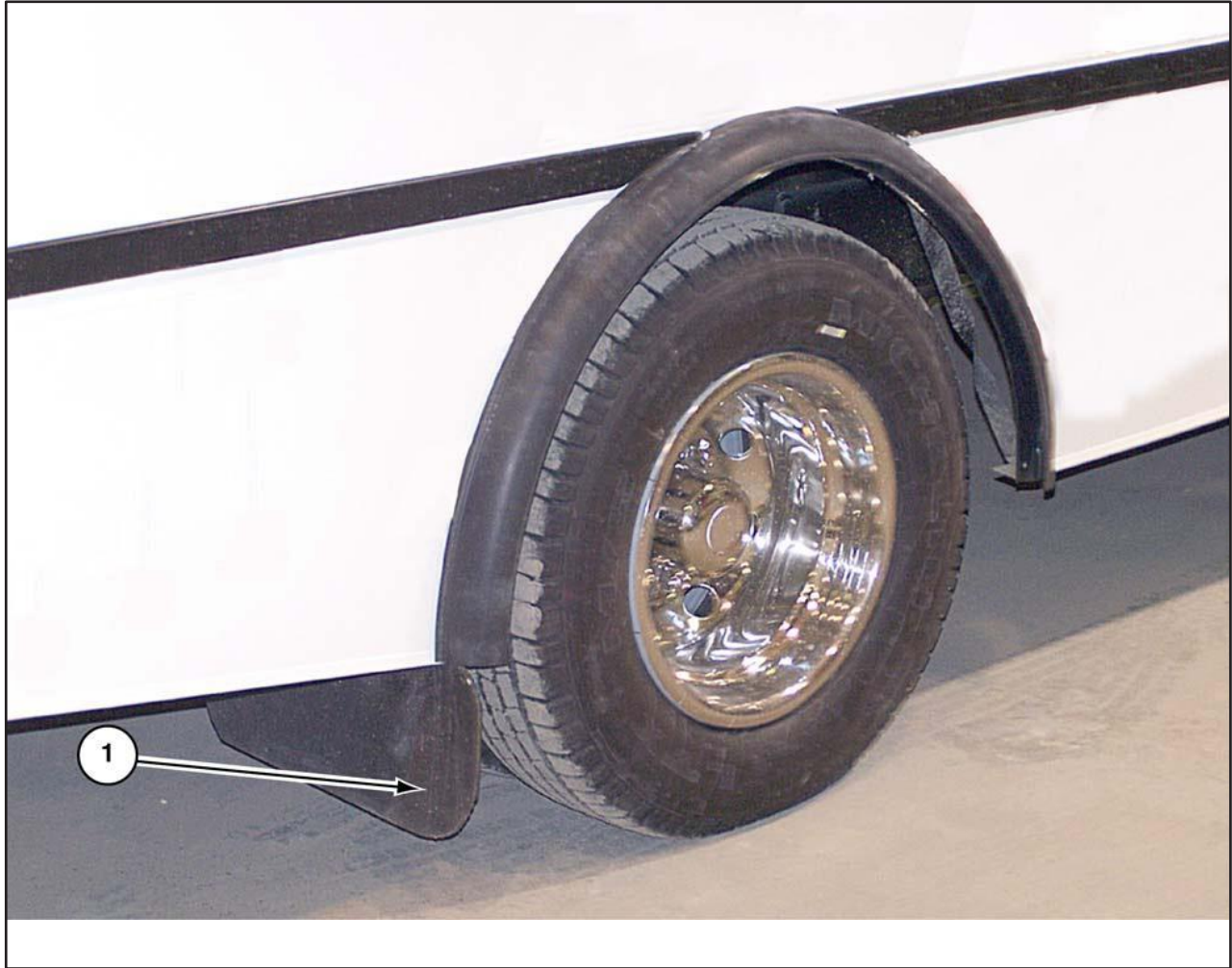
INSTALL MUD FLAP 0408366

<i>ITEM PARTNO. DESCRIPTION</i>	<i>QTY</i>	<i>ITEM PARTNO. DESCRIPTION</i>	<i>QTY</i>
01 0541037 FLAP,MUD(18x24BLACKw/LOGO)	2		



MUD FLAP (20" X 28")
0408551

<i>ITEM</i>	<i>PART NO.</i>	<i>DESCRIPTION</i>	<i>QTY</i>	<i>ITEM</i>	<i>PART NO.</i>	<i>DESCRIPTION</i>	<i>QTY</i>
01	0570002	MUD FLAP (20" x 28")	2				



mud flap 24" x 33"
0410411 / 0413997 / 0413841 / 0414024

<i>ITEM PART NO. DESCRIPTION</i>	<i>QTY</i>	<i>ITEM PART NO. DESCRIPTION</i>	<i>QTY</i>
0410411 Mud Flap 24" x 33"		0413997/0414024 Mud Flap T-Bracket	
01 0570090 Flap, Mud 1/4" x 24" x 33" Pair	2	NS 0375846 Steel, Flat 11GA 2 x 96.0 HRS	AR
NS 0372656 Angle, 11GA 1.5 x 120.0	AR	NS 0346288 Steel, Flat .25 x 2 x 12' C1018	AR
0413997/0413841 Heavy Duty Mud Flap Bracket		NS 8571197 Bolt, Hex 1/4-20 x 2-1/2 S/S	6
NS 0378246 Mud, Flaps T-Bracket Rear	2	NS 8570244 Washer, Fender 1/4 x 1-1/4 OD	8
		NS 8570915 Washer, Flat 1/4" Stainless Steel	8
		NS 8543118 Washer, Lock 1/4" Plated	8
		NS 8570858 Nut, Hex GR.8 1/4-20	8
		NS 8570384 Bolt, Hex 1/4-20 x 1" S/S	2
		NS 0570090 Flap, Mud 1/4" 24" x 33" Rubber	.5



LOCKING Fuel FILL DOOR

Cx0000053090 / Cx0000010028

<i>ITEM PART NO. DESCRIPTION</i>	<i>QTY</i>	<i>ITEM PART NO. DESCRIPTION</i>	<i>QTY</i>
CX0000053090 Fuel Fill Door Locking		CX0000010028 Install, Tether Fill Cap	
01 3348653 Door, Access	1	NS 3970548 Terminal, Ring Insul 6GA #10	2
NS 7970043 Sealant, Bostik 2100	AR		
NS 4970501 Hinge, S/S 2 x 72 LG W/O Holes	AR		
NS 8570785 Screw, 10 x 3/4 Pan Phil 18/8 S/S	4		

(NOTE: Gas Fuel Fill has different decals)



Fuel Bezel

<u>ITEM PART NO.</u>	<u>DESCRIPTION</u>	<u>QTY</u>	<u>ITEM PART NO.</u>	<u>DESCRIPTION</u>	<u>QTY</u>
0170990	BEZEL, FUEL FILL GMT 560	1			



exterior crossview mirror
cx-000-900-3243 / CX0000073243

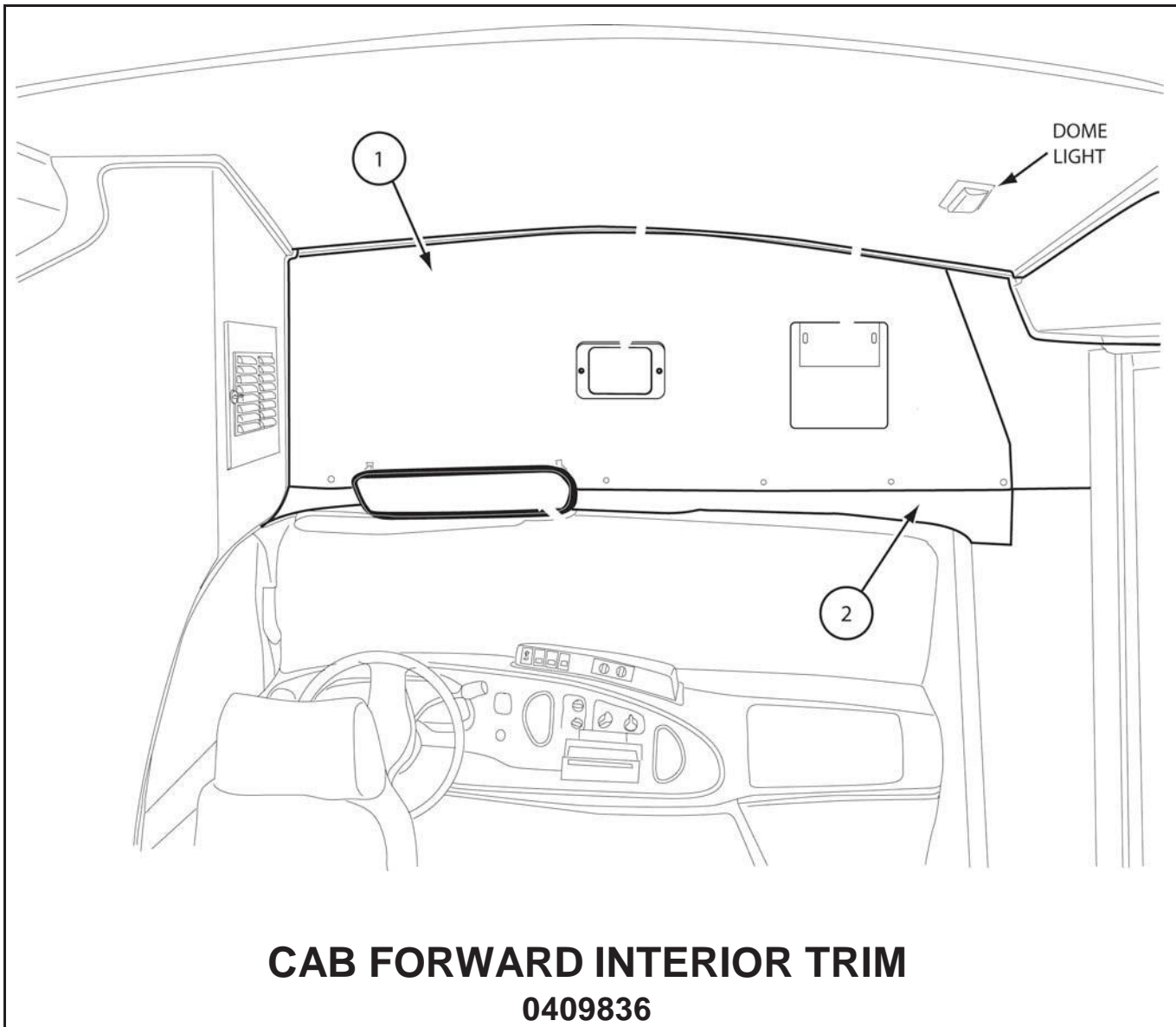
<i>ITEM</i>	<i>PART NO.</i>	<i>DESCRIPTION</i>	<i>QTY</i>	<i>ITEM</i>	<i>PART NO.</i>	<i>DESCRIPTION</i>	<i>QTY</i>
01	6142111	MIRROR, DOLLY (w/MOUNT)	1				
N/S	6170120	WELLNUT, RUBBER	6				
N/S	8570981	SCREW, MACHINE (10-32 x 3/4 PHIL PAN)	6				



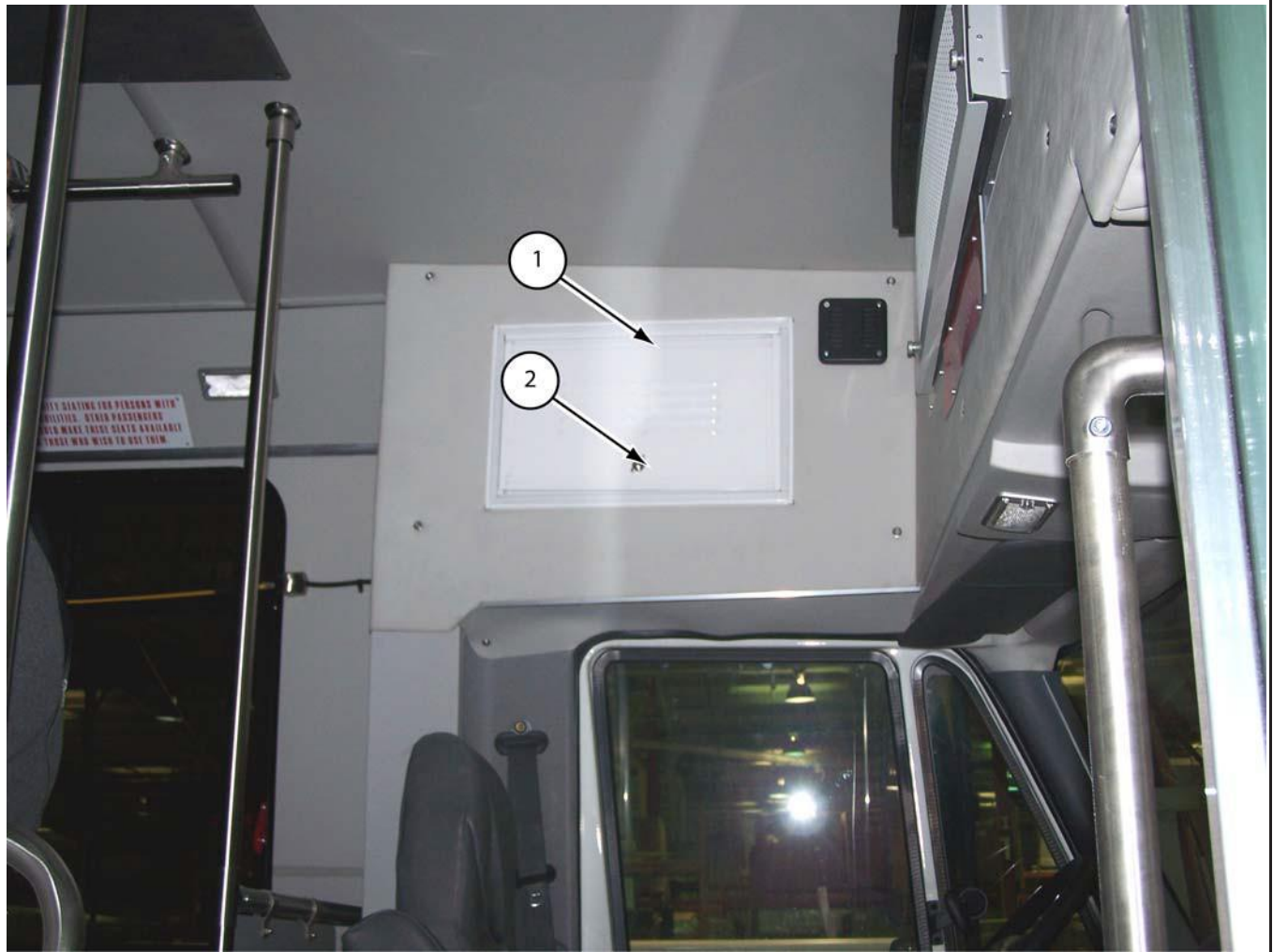
CHAMPION
BUS, INC.
Thor Industries Commercial Bus Division

SECTION 3:

INTERIOR TRIM



<i>ITEM PART NO. DESCRIPTION</i>	<i>QTY</i>	<i>ITEM PART NO. DESCRIPTION</i>	<i>QTY</i>
1 3371243 CAP, FRONT END	1		
2 3370905 CAP, WINDSHIELD	1		
N/S 3350543 TRIM, BUS CORNER	3		



ELECTRICAL PANEL DOOR 0402618

<i>ITEM PART NO. DESCRIPTION</i>	<i>QTY</i>	<i>ITEM PART NO. DESCRIPTION</i>	<i>QTY</i>
01 3370932 DOOR, ELECTRICAL PANEL ABS	1		
02 4941520 LOCK, THUMB	1		



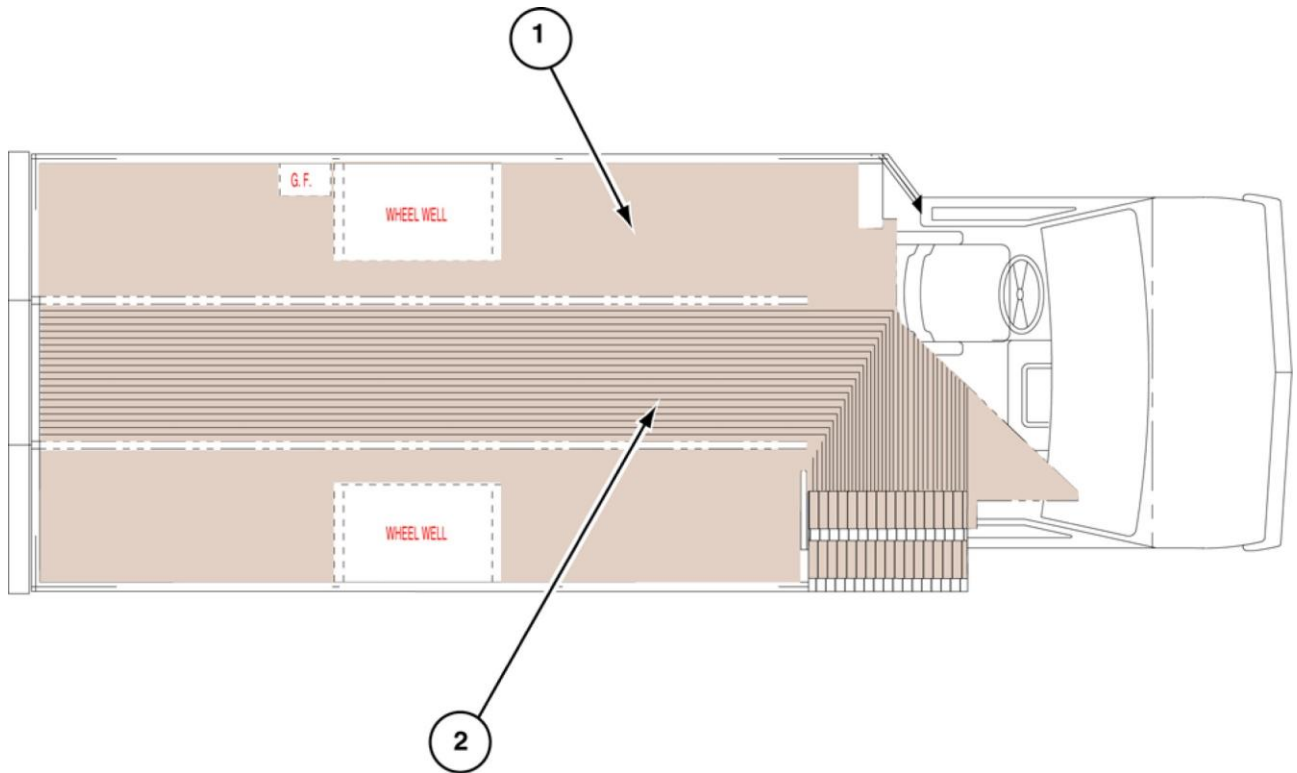
INTERIOR REAR DOOR WALL 0402728

<i>ITEM PART NO. DESCRIPTION</i>	<i>QTY</i>	<i>ITEM PART NO. DESCRIPTION</i>	<i>QTY</i>
1 3370944 TRIM, REAR DOOR RIGHT & LEFT 58"	2		
3370945 TRIM, REAR DOOR TOP	1		
2 3371674 COVER, LIFT DOOR SWITCH GRAY	1		
N/S 3971963 SWITCH, JAMB NORM CLOSED	1		



PADDED VINYL PANEL 0402664

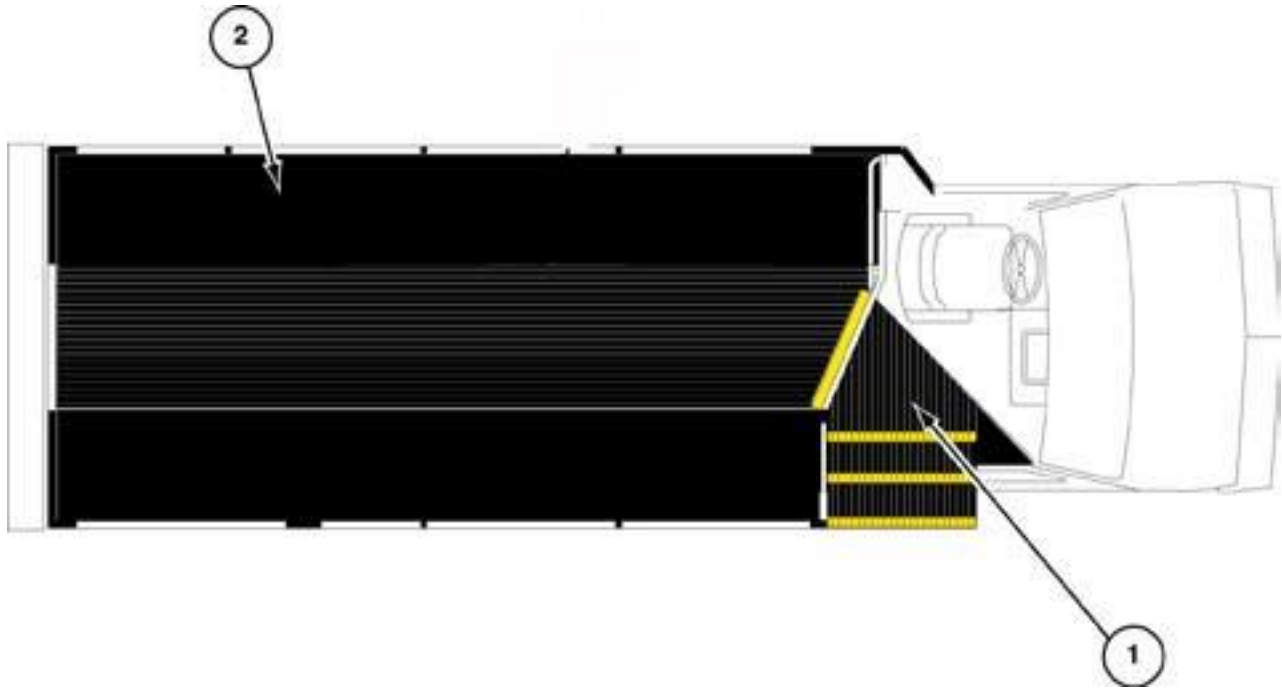
<i>ITEM PART NO. DESCRIPTION</i>	<i>QTY</i>	<i>ITEM PART NO. DESCRIPTION</i>	<i>QTY</i>
00 0402664 PANEL, MODESTY 24 X 24.25 PADDED VINYL	1		
7371128 VINYL, HARBOR MOONBEAM			
1			
6170106 PAD, FOAM 3/16"	A/R		



INSTALL FLOOR RUBBER

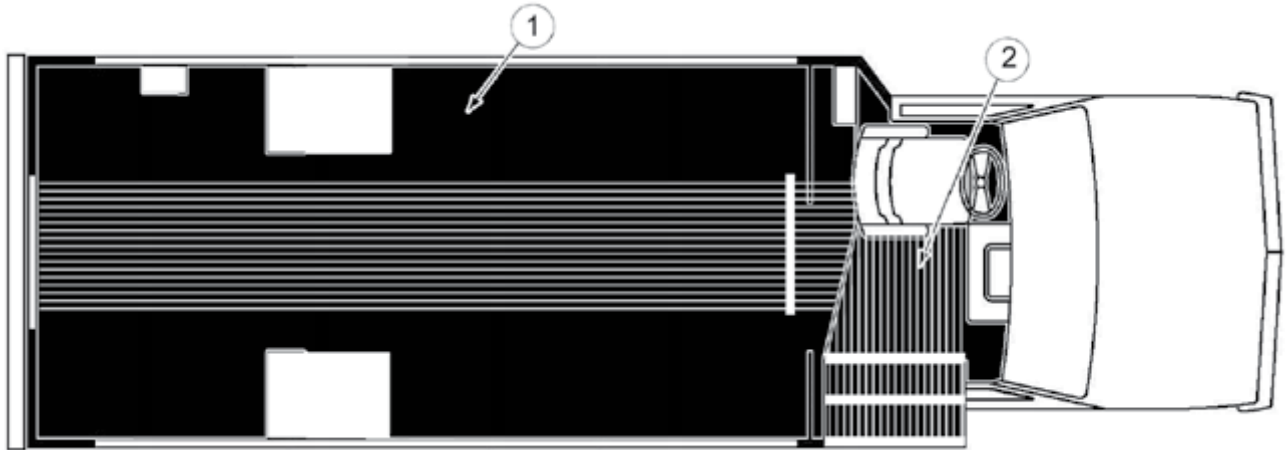
0412489 (25') / 0416222 (21') / 0412491C (23')

<u>ITEM</u>	<u>PART NO.</u>	<u>DESCRIPTION</u>	<u>QTY</u>	<u>ITEM</u>	<u>PART NO.</u>	<u>DESCRIPTION</u>	<u>QTY</u>
01	1570297	FLOOR RUBBER, SMOOTH (34¼ x 288")	A/R				
02	1570296	FLOOR RUBBER, RIBBED (29-3/8" x 288")	AR				



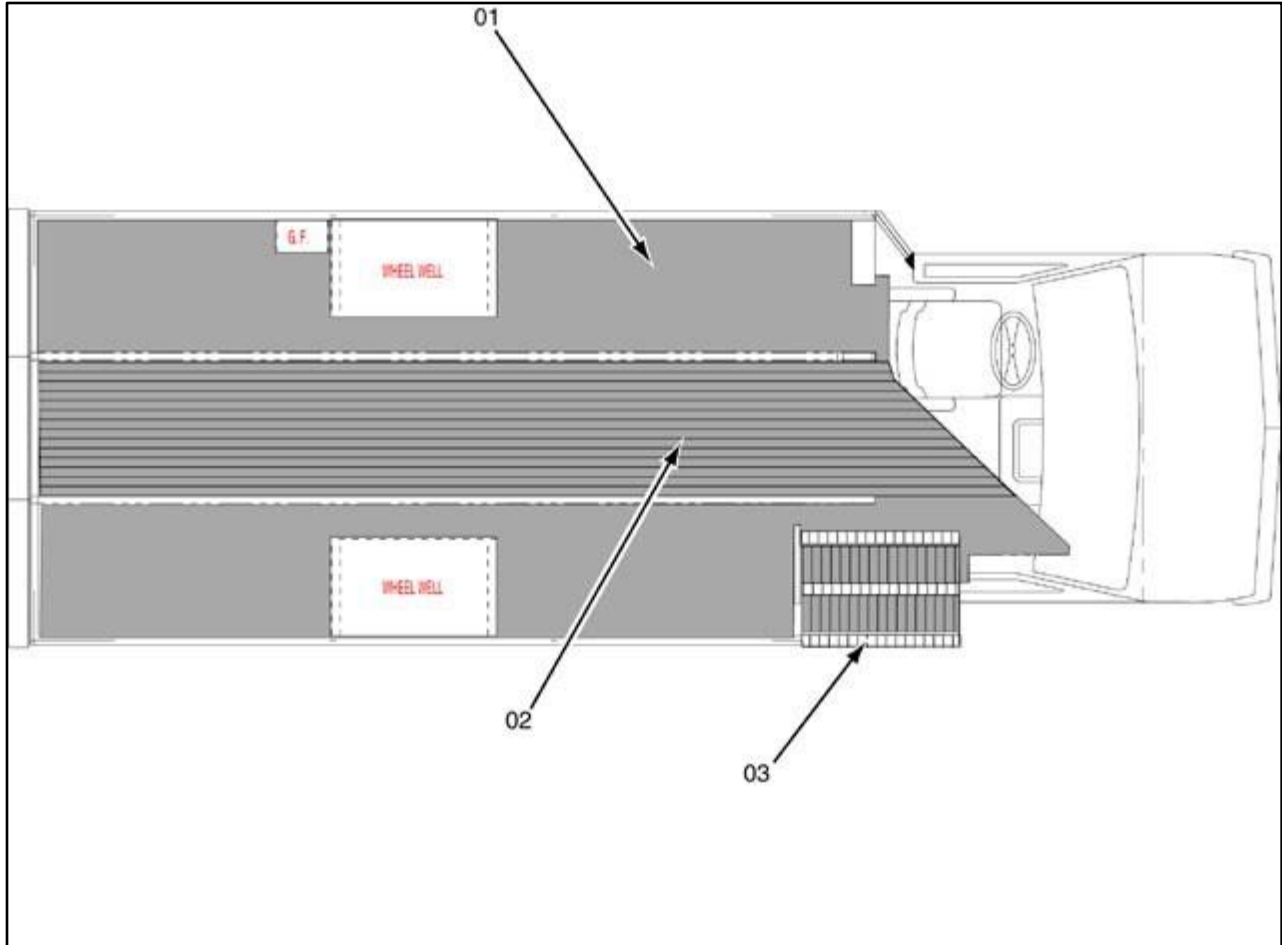
Full Floor rubber - black 30028 / 30028c

<i>ITEM PART NO. DESCRIPTION</i>	<i>QTY</i>	<i>ITEM PART NO. DESCRIPTION</i>	<i>QTY</i>
01 1570319 Rubber, Black (3/16 x 29-3/8") Rib	AR	APPLIES TO THE FOLLOWING ASSEMBLIES:	
02 1540715 Rubber, Black (.13 x 34½) Smooth	AR		CH2110030028
NS 1570474 Coving, Altro 3/4" x 5 Feet Long	AR		CH2310030028
		CH2510030028	
		CH2700030028	
		CR2110030028	
		CT3800030028	
		DF2700030028	
		DF2900030028	
		DF3110030028	
		DF3300030028	
		DF3500030028	
		DF3110030028C	
		DF3300030028C	
		DF3500030028C	
		DF3800030028C	



Full Floor rubber - black 30037, 30142

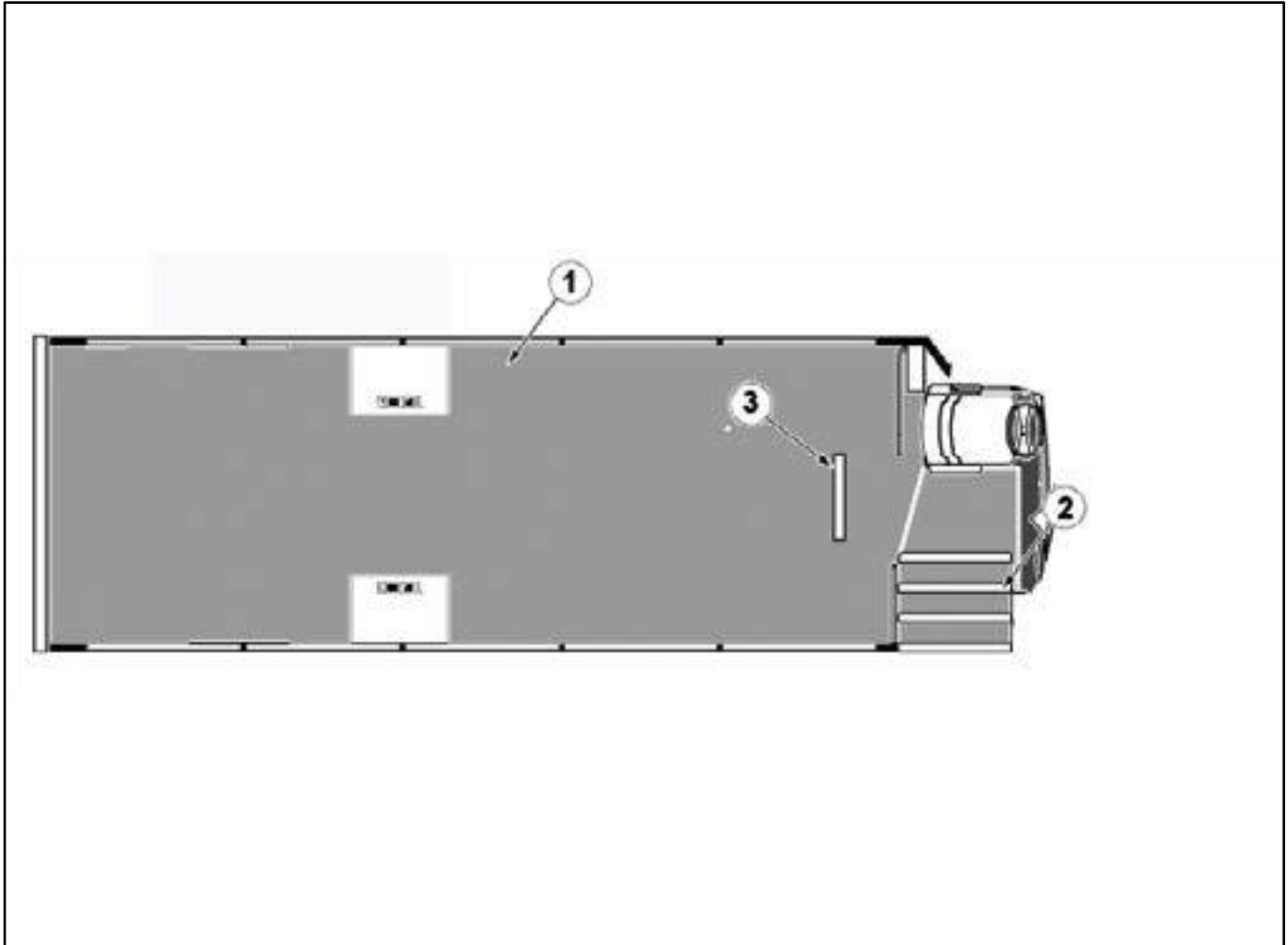
<i>ITEM PART NO. DESCRIPTION</i>	<i>QTY</i>	<i>ITEM PART NO. DESCRIPTION</i>	<i>QTY</i>
01 1570293 Rubber, Black 34¼ X 288" Smooth	A/R	REFERS TO ALL ASSEMBLIES LISTED BELOW:	
02 1570292 Rubber,Black 34¼ x 288" RS Ribbed	A/R	AC2100030037	DF3830030037 0412488C
		BG3400030037	DF3100030142C 0412485C
		CH2100030037	DF3100030142 0412485
		CH2300030037	DF3500030037 0412998
		CH2310030037	BG3400030037 0412488
		CH2330030037	DF3110030037 0414177
		CH2500030037	DF3410030037 0413076
		CH2800030037	0413756C
		CH2710030037	
		CR2110030037	
		DF3100030037	



Full Floor rubber - GrAY

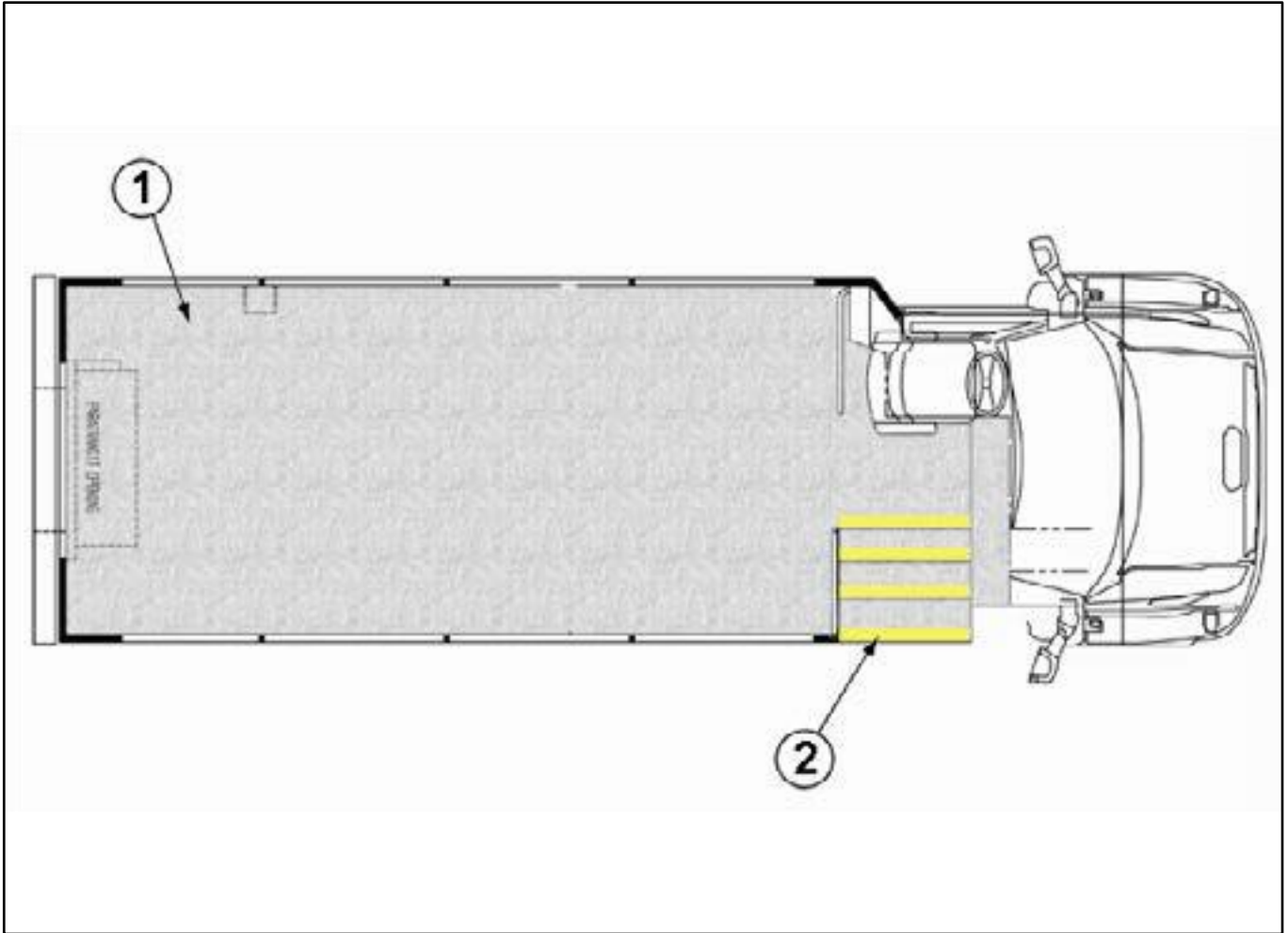
30039 / 30039C / 30142

<i>ITEM</i>	<i>PART NO.</i>	<i>DESCRIPTION</i>	<i>QTY</i>	<i>ITEM</i>	<i>PART NO.</i>	<i>DESCRIPTION</i>	<i>QTY</i>
01	1570297	Rubber, Gray Smooth R-S	A/R	REFERS TO ALL ASSEMBLIES LISTED BELOW:			
02	1570299	Rubber, Gray Ribbed R-S	A/R			CH2110030142G	
NS	1570474	Coving, Altro 3/4" x 5ft Long	A/R	BG3400030039	0414612	CH2510030142G	
				CH2100030039	0413032	DF3110030142G	
				CH2300030039	0413159C	DF3810030142G	
				CH2500030039	0416739	CR2110030142G	
				CH2510030039	0413160	CH2300030142	
				CH2710030039	0414613C	CH2800030142	
				CH2800030039	0414730	CH2710030142	
				CH2110030039	0417679	DF3410030039	
				CR2100030039	0414056	DF3100030039	
				CR2130030039	CR2110030039	DF350030039	
				CH2310030039	DF3100030039C	DF3110030039	



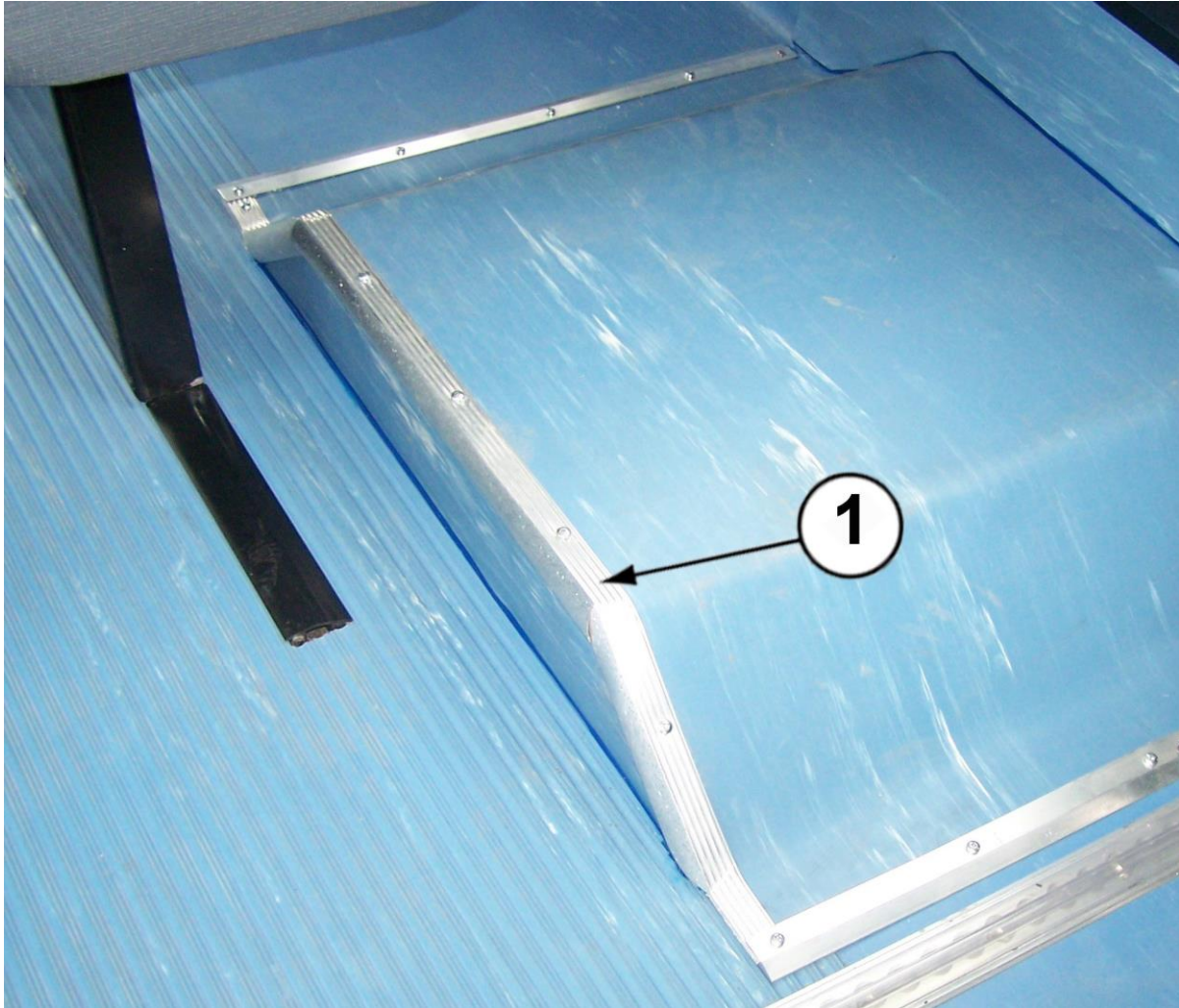
Flooring - Altro genome stAnDee line & nosing

<i>ITEM PART NO. DESCRIPTION</i>	<i>QTY</i>	<i>ITEM PART NO. DESCRIPTION</i>	<i>QTY</i>
1 1570458 Flooring, Altro 79" x 786" Genome	AR	NS 1570474 Coving, Altro 3/4" x 5 Feet Long	AR
2 1570463 Standee Line, White 10'	AR	FOUND IN THESE ASSEMBLIES:	
1570470 Standee, Yellow 10'	AR	0419317	
3 1570509 Nosing, Alum T36T W/White Insert	AR	0420113 (Coved)	
1570462 Nosing, Alum T36T W/Yellow Insert	AR	0419248 (Coved)	
NS 1570460 Rod, Welding Altro Genome	AR	0417338	
NS 1570459 Sealant, Altro Chroma Mineral	AR	0417338C	
NS 1570460 Rod, Welding Altro Chroma Mineral	AR	0417342	
Assemblies With Coving:		0417759C	
		0417759	
		1417759W	
		0417759WY	



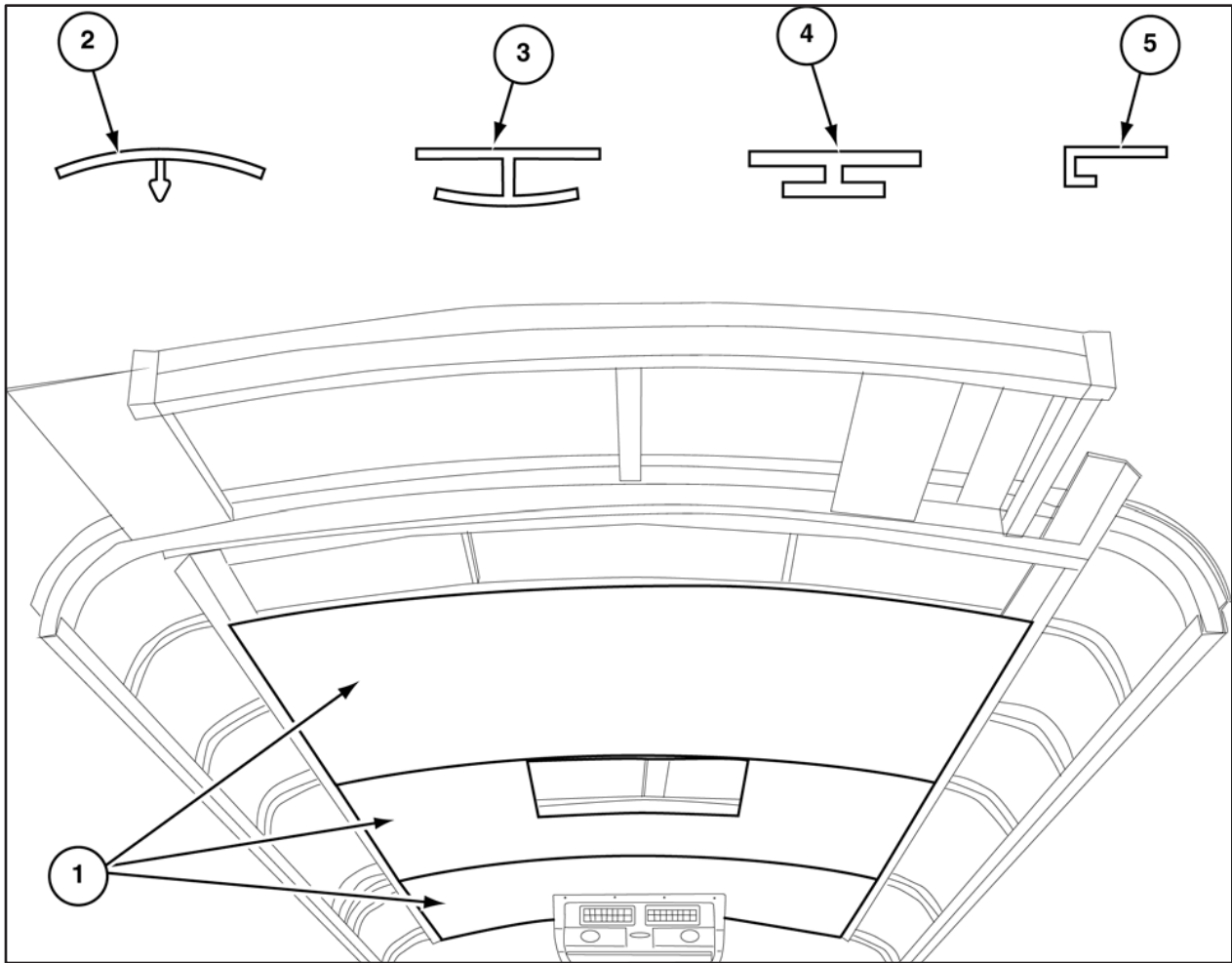
ALTRO cHROMA fLOORing & sTep edge MiscellAneOUs

<u>ITEM</u> <u>PART NO.</u> <u>DESCRIPTION</u>	<u>QTY</u>	<u>ITEM</u> <u>PART NO.</u> <u>DESCRIPTION</u>	<u>QTY</u>
1 1570473 Flooring, Altro 79" x 786" Mineral	AR		
2 1570462 Nosing, Alum. T36T W/Yellow Insert	AR		
1570509 Nosing, Alum. T36T W/White Insert	AR		
NS 1570463 Standee, White 10FT	AR		
NS 1570460 Rod, Welding Altro Chroma Mineral	AR		
NS 1570459 Sealant, Altro Chroma Mineral	AR		
NS 1570474 Coving, Altro 3/4" x 5' Long	AR		



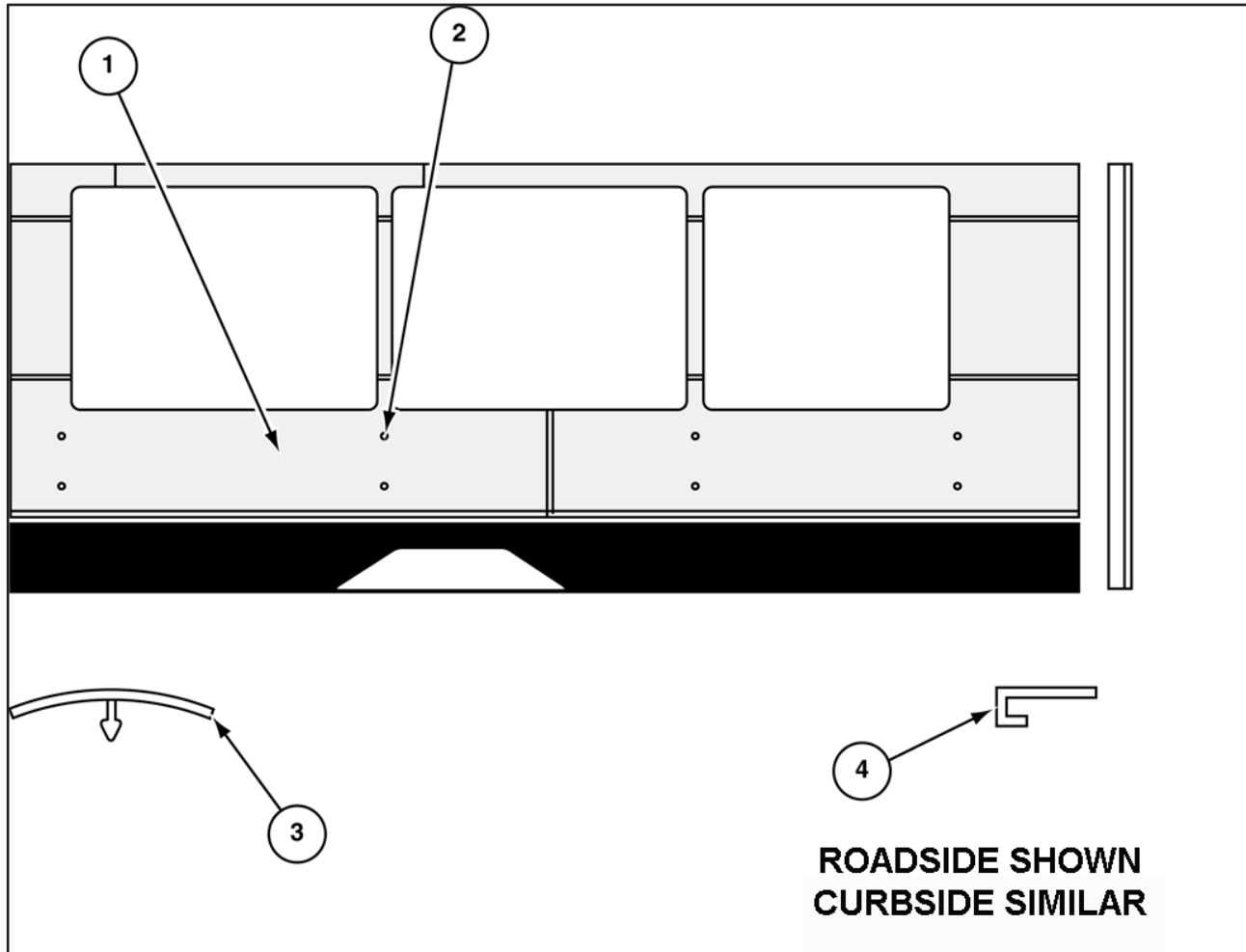
WheelWell Trim 0414099

ITEM PART NO. DESCRIPTION	QTY	ITEM PART NO. DESCRIPTION	QTY
01 4540241 Bar, Aluminum .125 x 1" x 10'	AR		



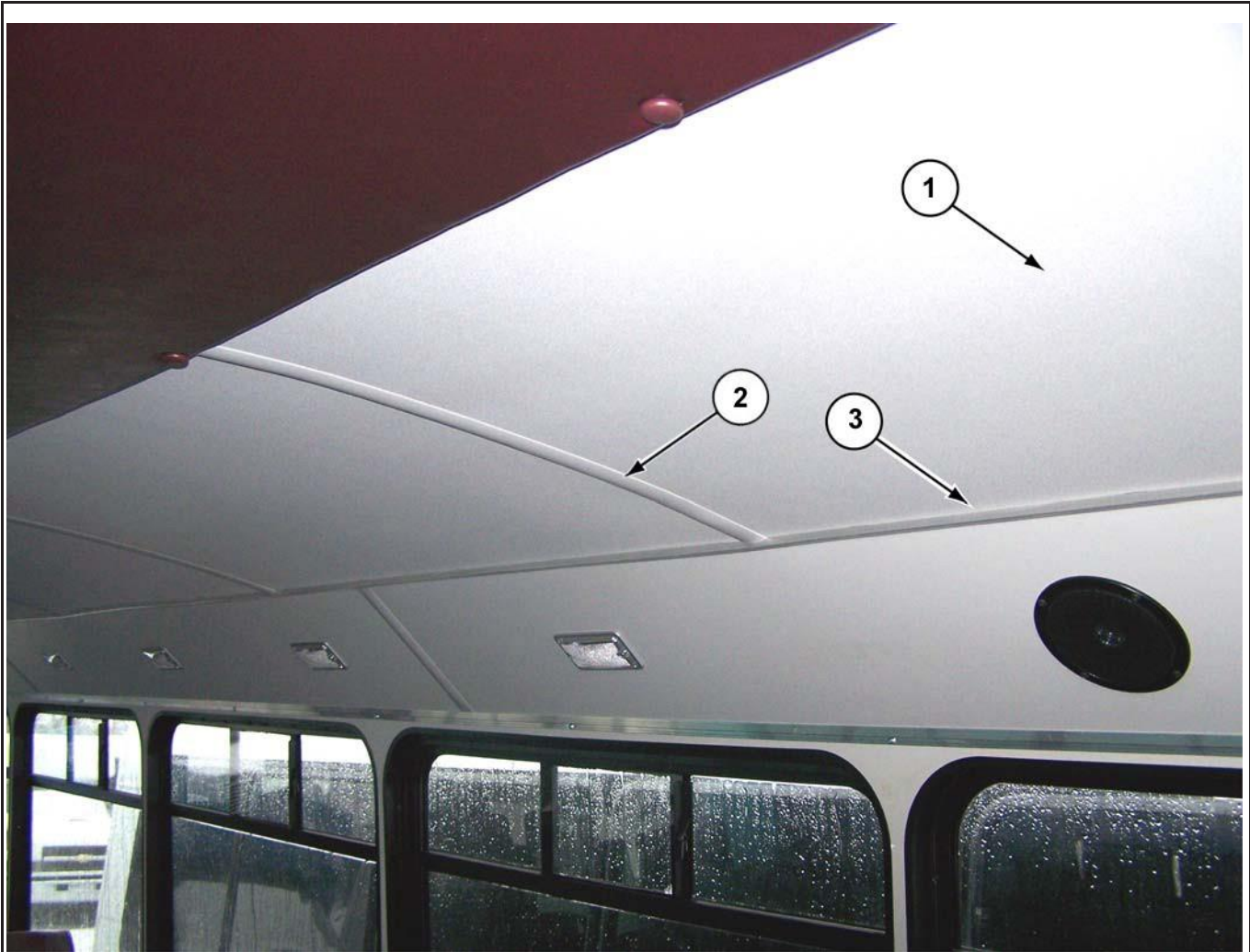
Auto cloth ceiling pAnels ch-250-900-3070

<i>ITEM PART NO. DESCRIPTION</i>	<i>QTY</i>	<i>ITEM PART NO. DESCRIPTION</i>	<i>QTY</i>
01 0970070 Panel, Guilana Smoke 48 x 70	5		
01 0970067 Panel, Guilana Smoke 48" x 96"	1		
01 0970070 Panel, Guliana Smoke 48" x 70"	1		
N/S 4570137 Bar, Divider "H" 1/4" x 96" AutoCl	2.5		
N/S 8570931 Screw, 8 x 1 Pan Tek Clr	A/R		
N/S 3370376 Retainer, Batten 8'	40		
N/S 3371693 Batten, Ceiling Auto Cloth 7'	32		
N/S 4570144 Cap, End "j" .19 1/4" x 16' Gray	2.5		



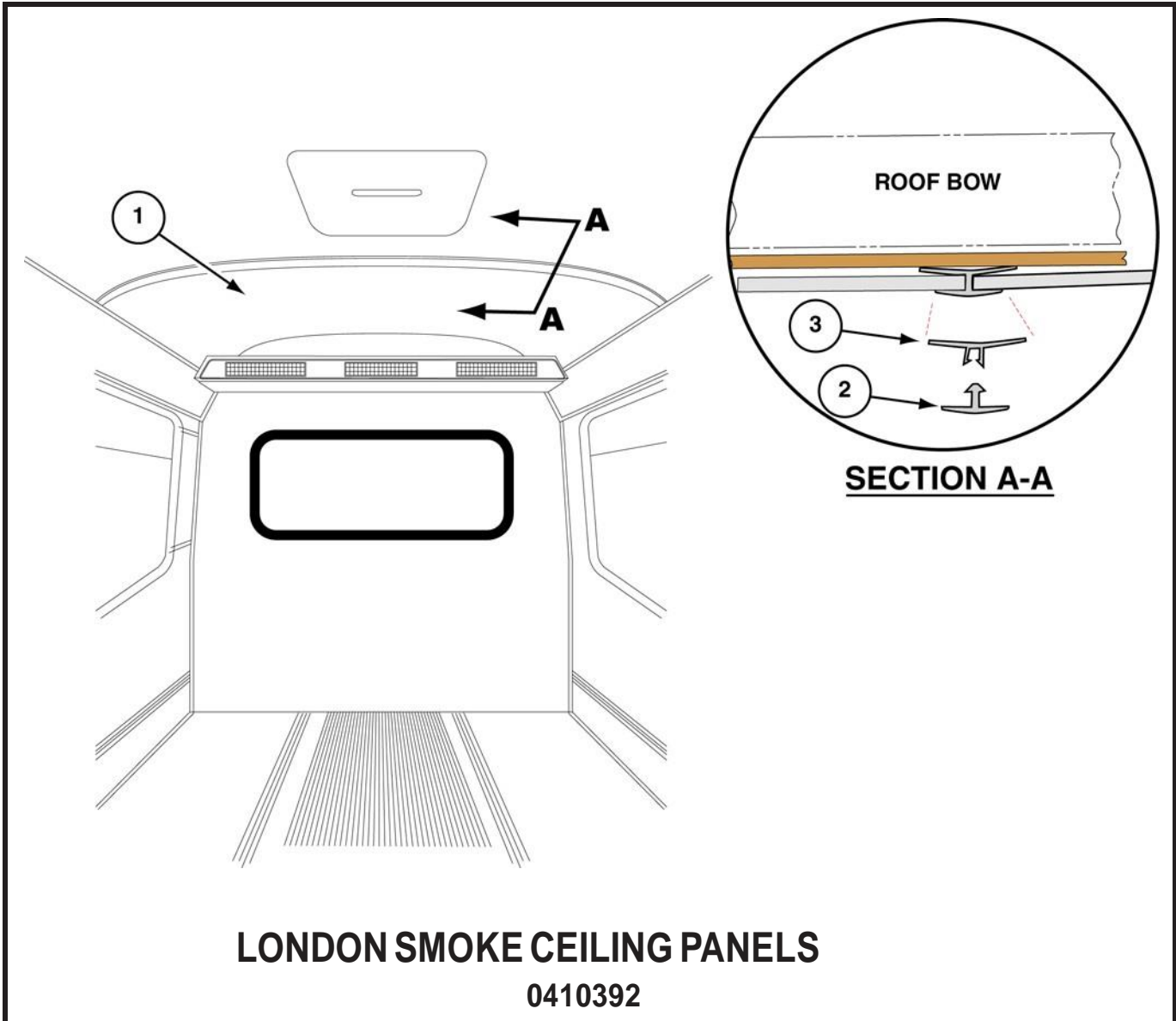
interior Auto cloth pAnels ch-250-998-3070

<i>ITEM PART NO. DESCRIPTION</i>	<i>QTY</i>	<i>ITEM PART NO. DESCRIPTION</i>	<i>QTY</i>
1 0970067 Panel, Guilana Smoke 48" x 96"	A/R		
2 8570816 Fastener, Plastic Push-In (Natural)	A/R		
3 3371693 Batten, Sidewall Auto Clot 7'	A/R		
04 4570144 Cap, End "J" .19 1/4" x 16' Gray	3		
N/S 4542288 Cap, End .19 #200-16' BD	2		
N/S 3371281 Molding, "H" F101-84 Black	A/R		
N/S 8570816 Screw, 8 x 1 Wafer PH Tek Zinc	A/R		
N/S 8570931 Screw, 8 x 1 Pan Quad Tek Clr	A/R		

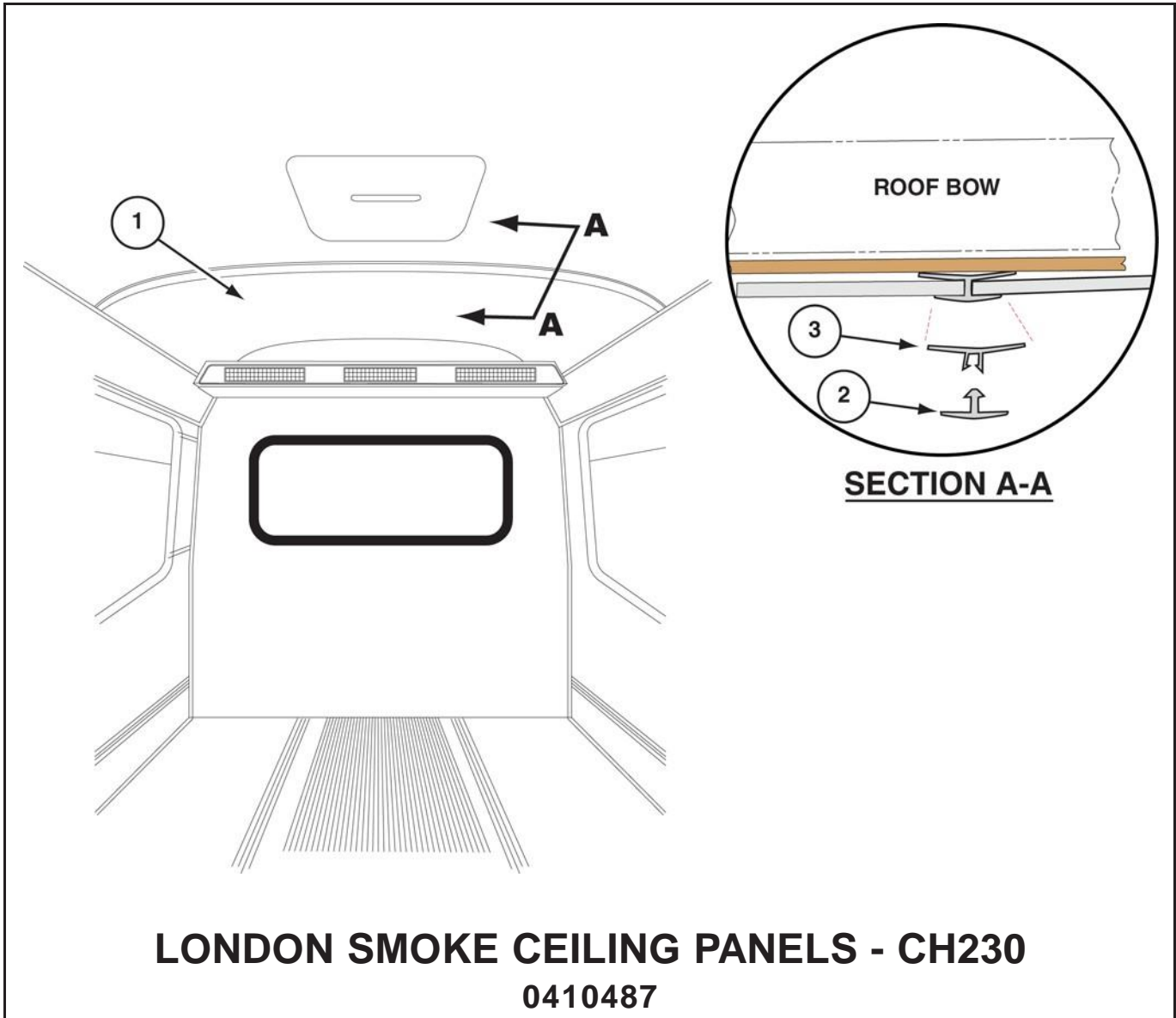


LONDON SMOKE CH250
0410391

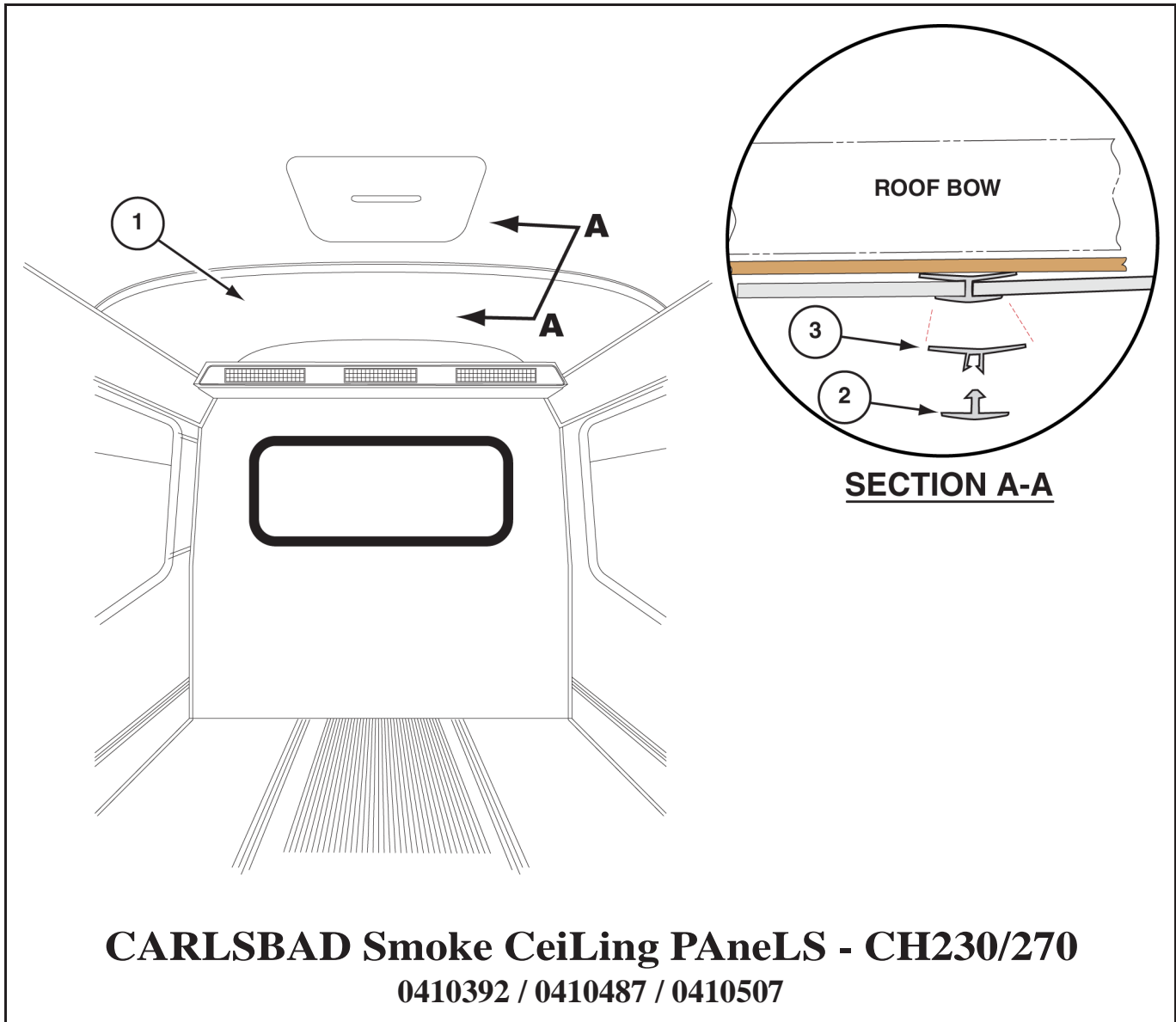
<i>ITEM PART NO. DESCRIPTION</i>	<i>QTY</i>	<i>ITEM PART NO. DESCRIPTION</i>	<i>QTY</i>
1 0970052 PANEL, LONDON SMOKE (4 x 8)	A/R		
2 3370368 "H" MOLDING GRAY	A/R		
03 4570144 CAP,END "J" 19 1/4" X 16' GRAY	A/R		



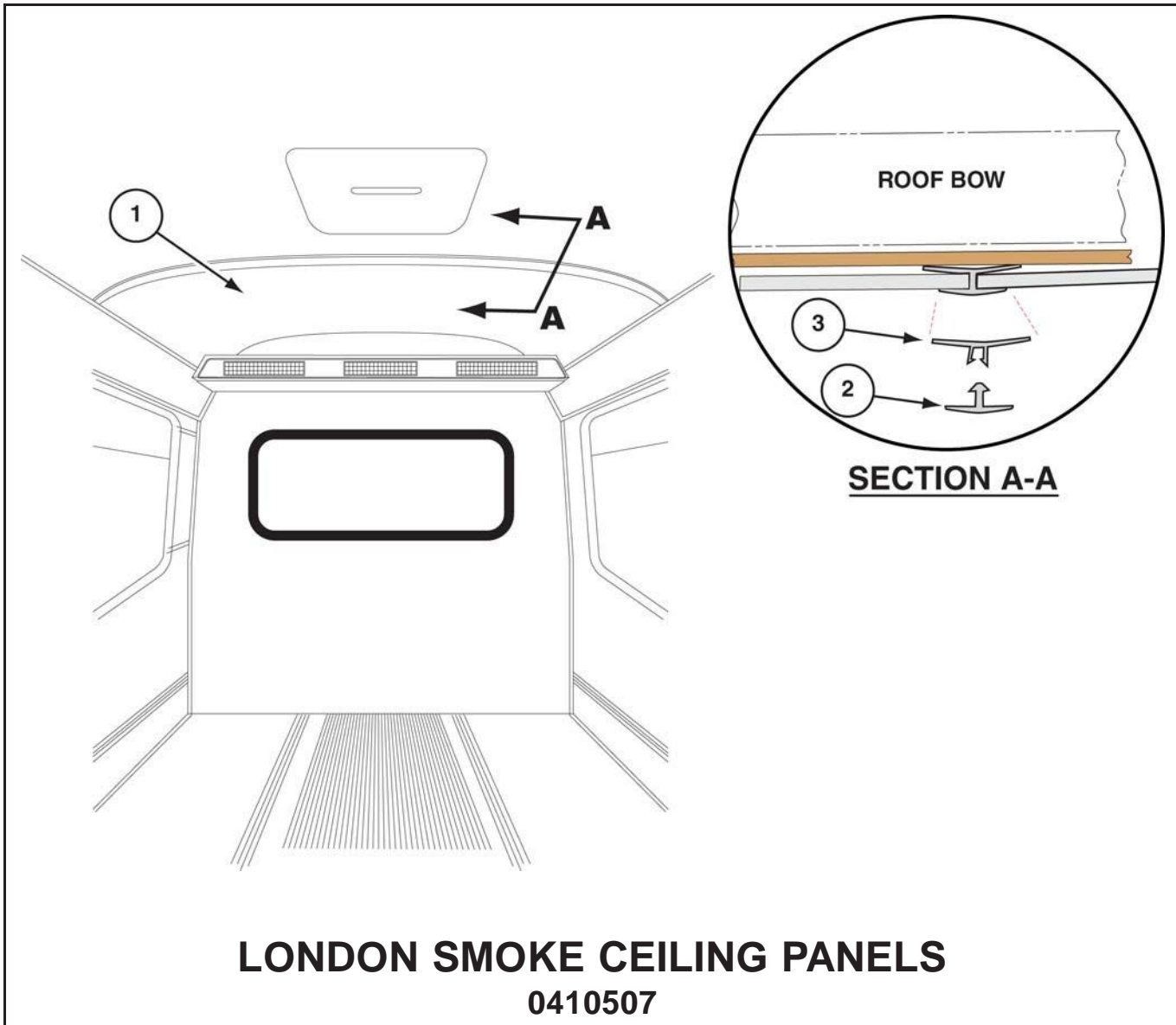
<i>ITEM</i>	<i>PART NO.</i>	<i>DESCRIPTION</i>	<i>QTY</i>	<i>ITEM</i>	<i>PART NO.</i>	<i>DESCRIPTION</i>	<i>QTY</i>
01	0970051	PANEL, LONDON SMOKE 3.6 47 5/8 x 70	4				
02	3370376	RETAINER, BATTEN 8' (RN 391X)	A/R				
03	3370990	BATTEN 1.5 x 7 RN457-C-232-7 GRAY	A/R				



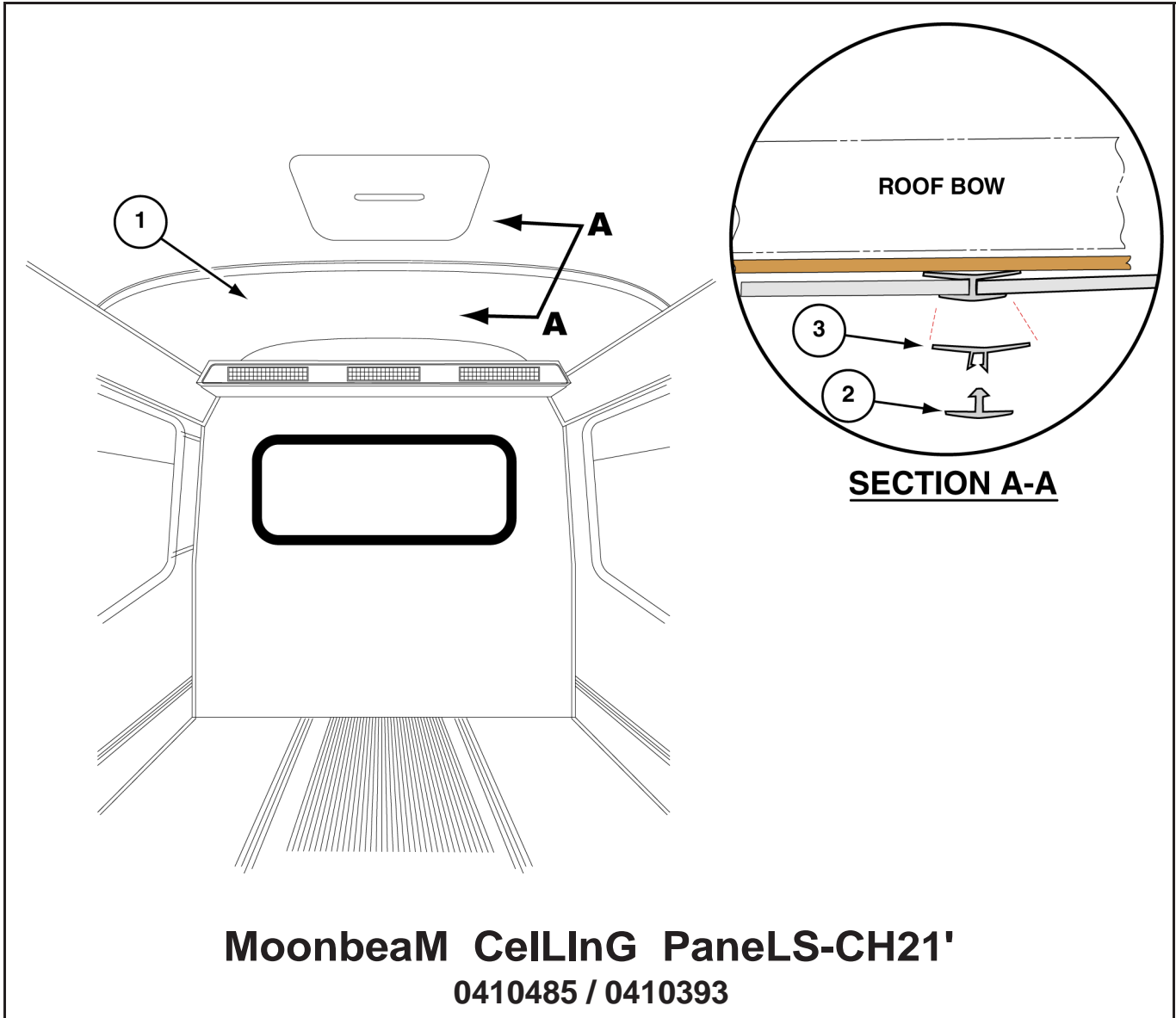
<i>ITEM</i>	<i>PART NO.</i>	<i>DESCRIPTION</i>	<i>QTY</i>	<i>ITEM</i>	<i>PART NO.</i>	<i>DESCRIPTION</i>	<i>QTY</i>
01	0970051	PANEL, LONDON SMOKE 3.6 47 5/8 x 70	3.5				
02	3370990	BATTEN 1.5 x 7 RN457-C-232-7 GRAY	A/R				
03	3370376	RETAINER, BATTEN 8'(RN 391X)	A/R				



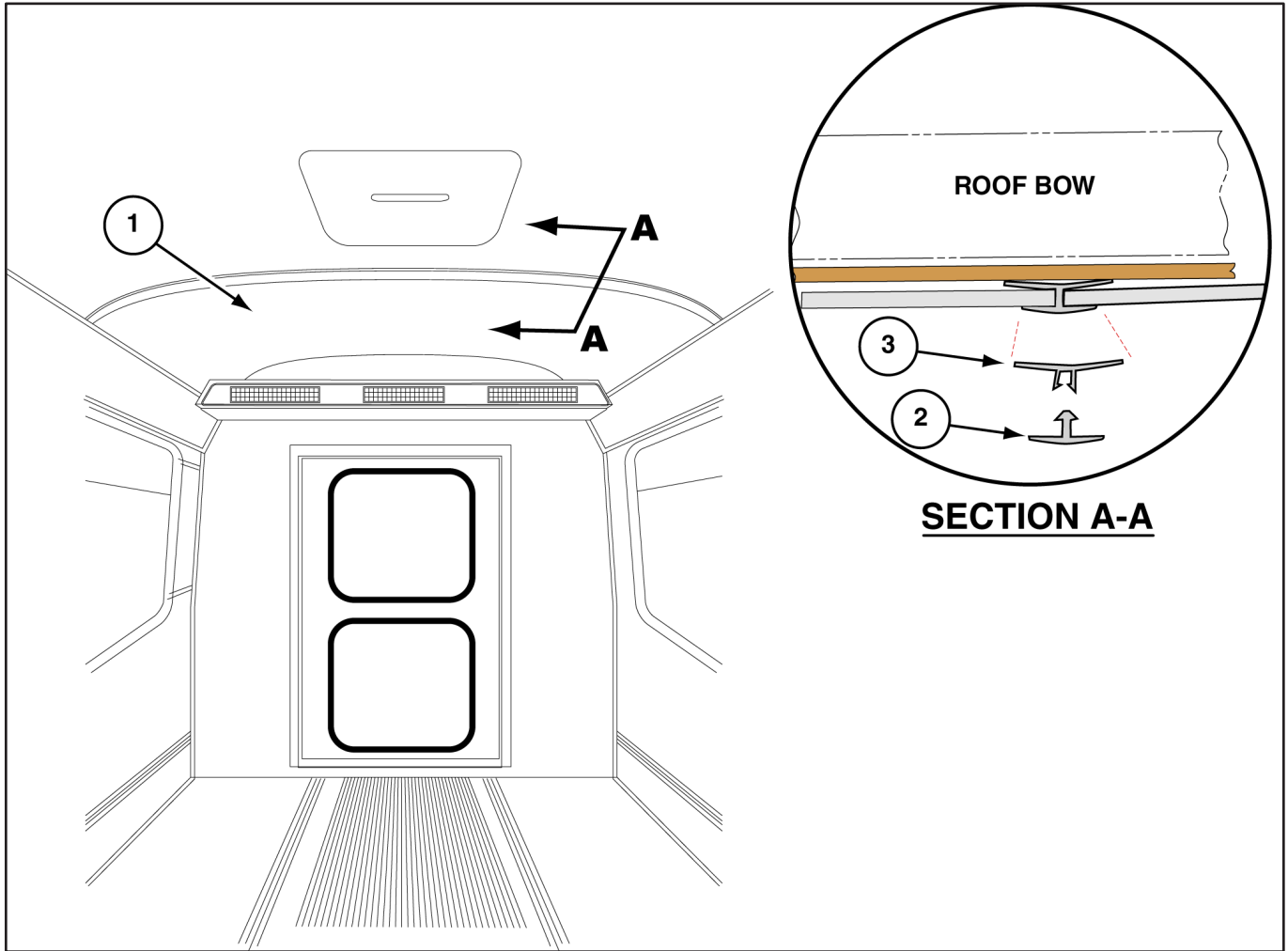
<i>ITEMPART NO.</i>	<i>DESCRIPTION</i>	<i>ITEMPART NO.</i>	<i>DESCRIPTION</i>
01	0970144 PANEL, CARLSBAD SMOKE 47.75 x 70		A/R
	0970145 PANEL, CARSBAD SMOKE 48 x 96		A/R
02	3370990 BATTEN 1.5 x 7 RN457-C-232-7 GRAY		A/R
03	3370376 RETAINER, BATTEN 8'(RN 391X)		A/R



<i>ITEM PART NO. DESCRIPTION</i>	<i>QTY</i>	<i>ITEM PART NO. DESCRIPTION</i>	<i>QTY</i>
1 0970051 PANEL, LONDONSMOKE	8		
2 3370990 BATTEN (GRAY)	A/R		
3 3370376 RETAINER, BATTEN (8')	A/R		



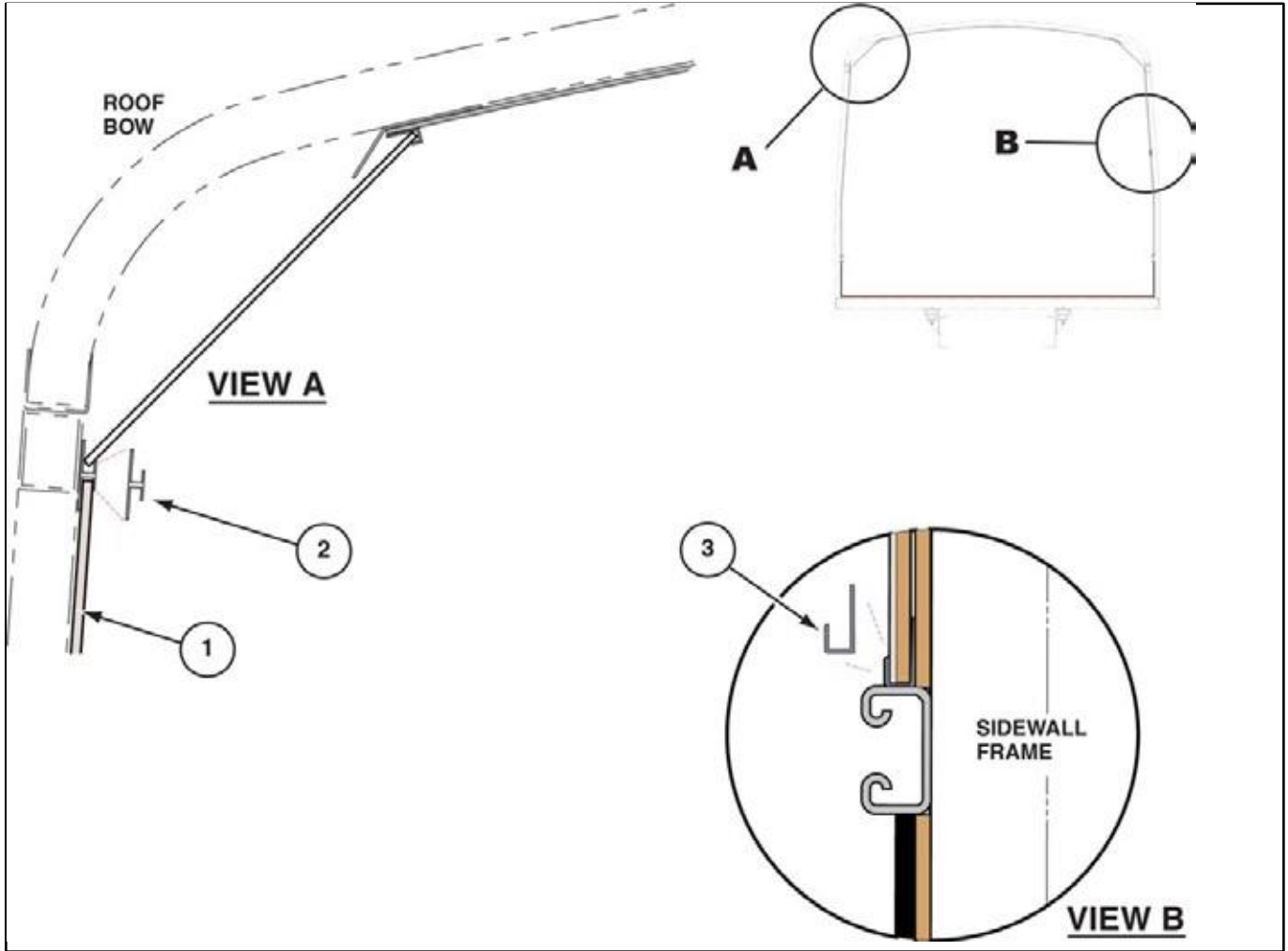
<i>ITEM</i>	<i>PART NO.</i>	<i>DESCRIPTION</i>	<i>QTY</i>	<i>ITEM</i>	<i>PART NO.</i>	<i>DESCRIPTION</i>	<i>QTY</i>
1	0970041	PANEL, MOONBEAM 48 x 70	3				
2	3370376	RETAINER, BATTEN 8' (RN 391X)	A/R				
03	3370990	BATTEN 1.5 x 7 RN457-C-232-7 GRAY	A/R				
N/S	3350543	TRIM, BUS CORNER	1				



CARLSBAD SMOKE CEILING pAnEL

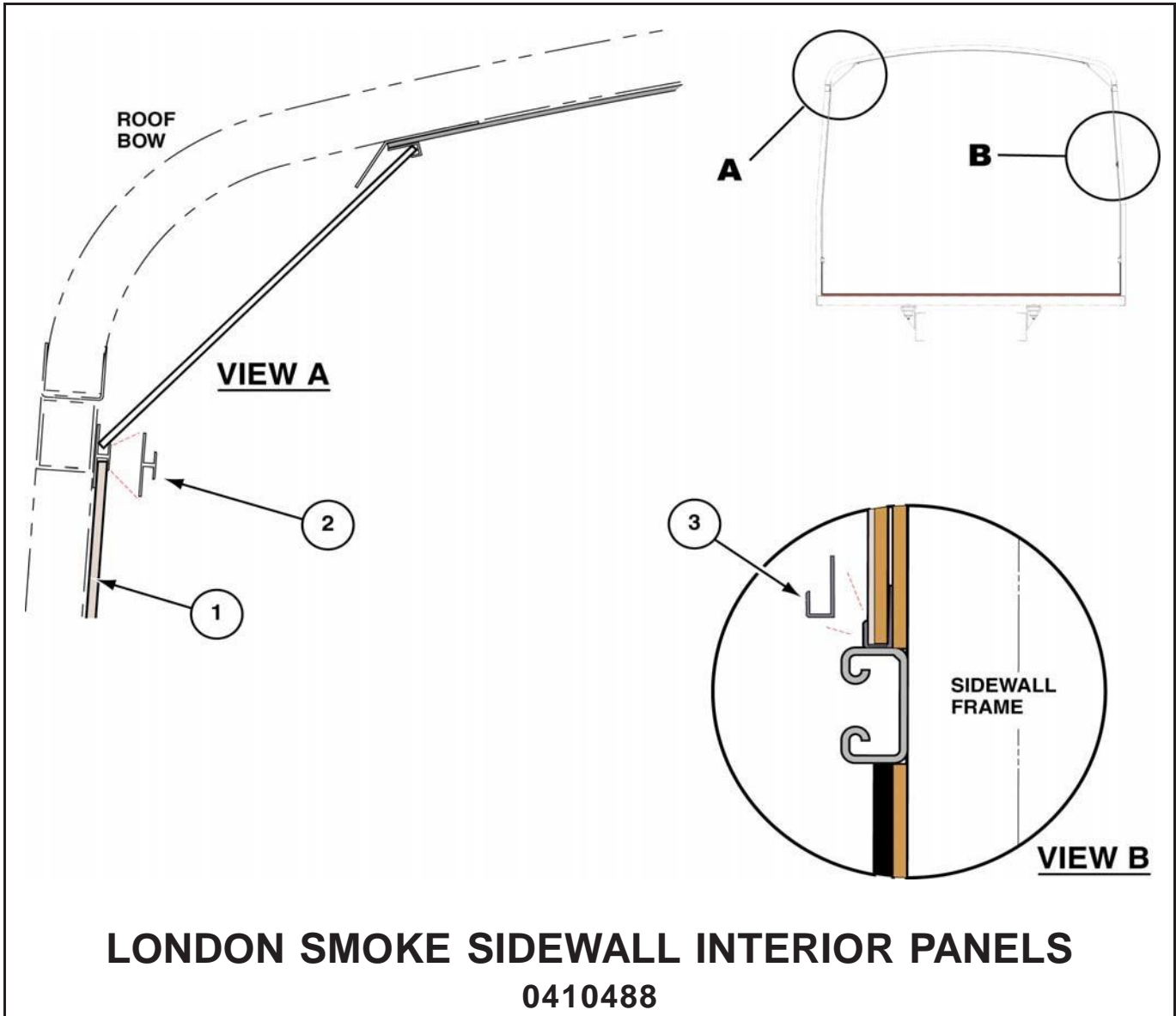
0410503 / 0410487 / 0410393

<i>ITEM PART NO. DESCRIPTION</i>	<i>QTY</i>	<i>ITEM PART NO. DESCRIPTION</i>	<i>QTY</i>
01 0970144 Panel, Carlsbad Smoke 47¾ x 70	AR		
0970145 Panel, Carlsbad Smoke 48 x 96	AR		
02 3370990 Batten, (1.5 x 7) Gray	AR		
03 3370376 Retainer, Batten 8'	AR		

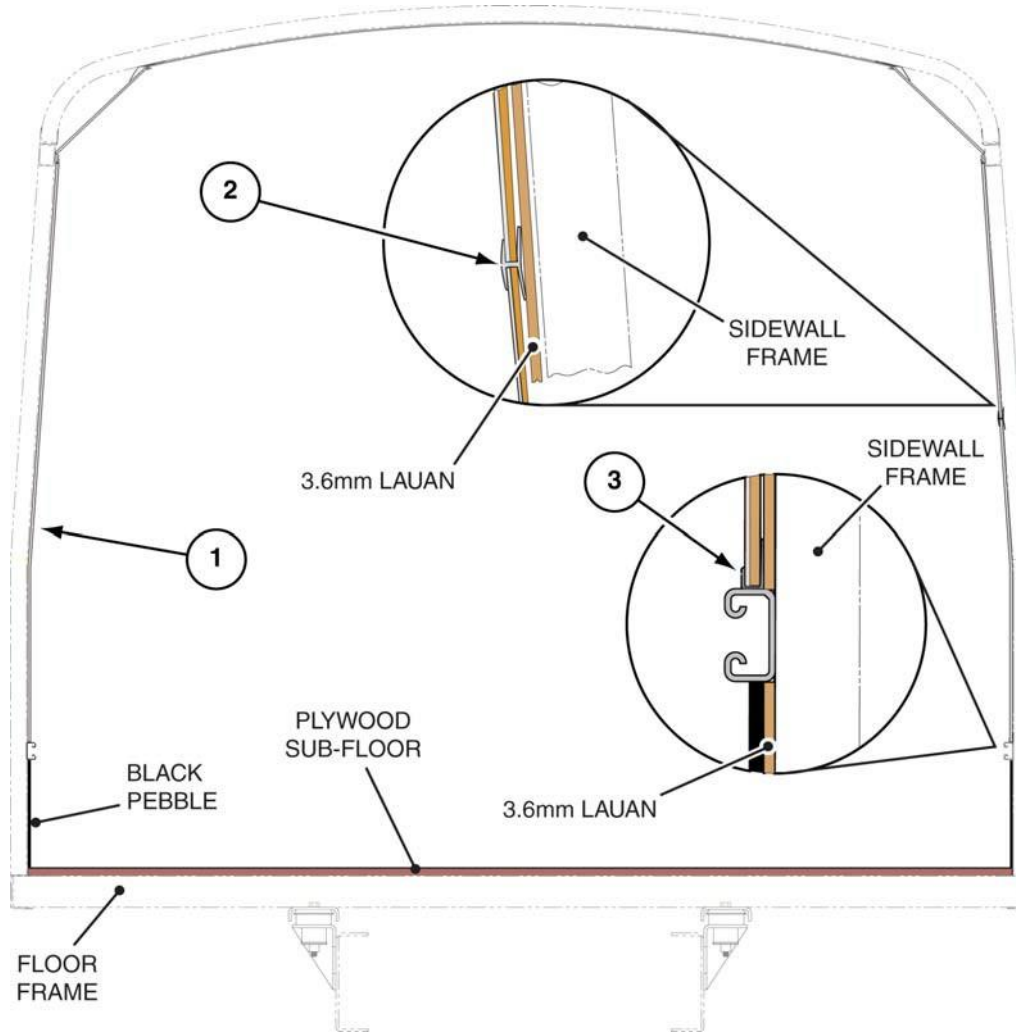


London smoke sidewall panels
0410504 - 0410488 - 0410391 - 0410394

<i>ITEM PART NO. DESCRIPTION</i>	<i>QTY</i>	<i>ITEM PART NO. DESCRIPTION</i>	<i>QTY</i>
01 0970052 Panel, London Smoke 3.6 4x8	6		
02 3370368 Molding, HF101-Grey	13		
03 4570144 Cap, End "J" .19 1/4"x 16' Mill	2		

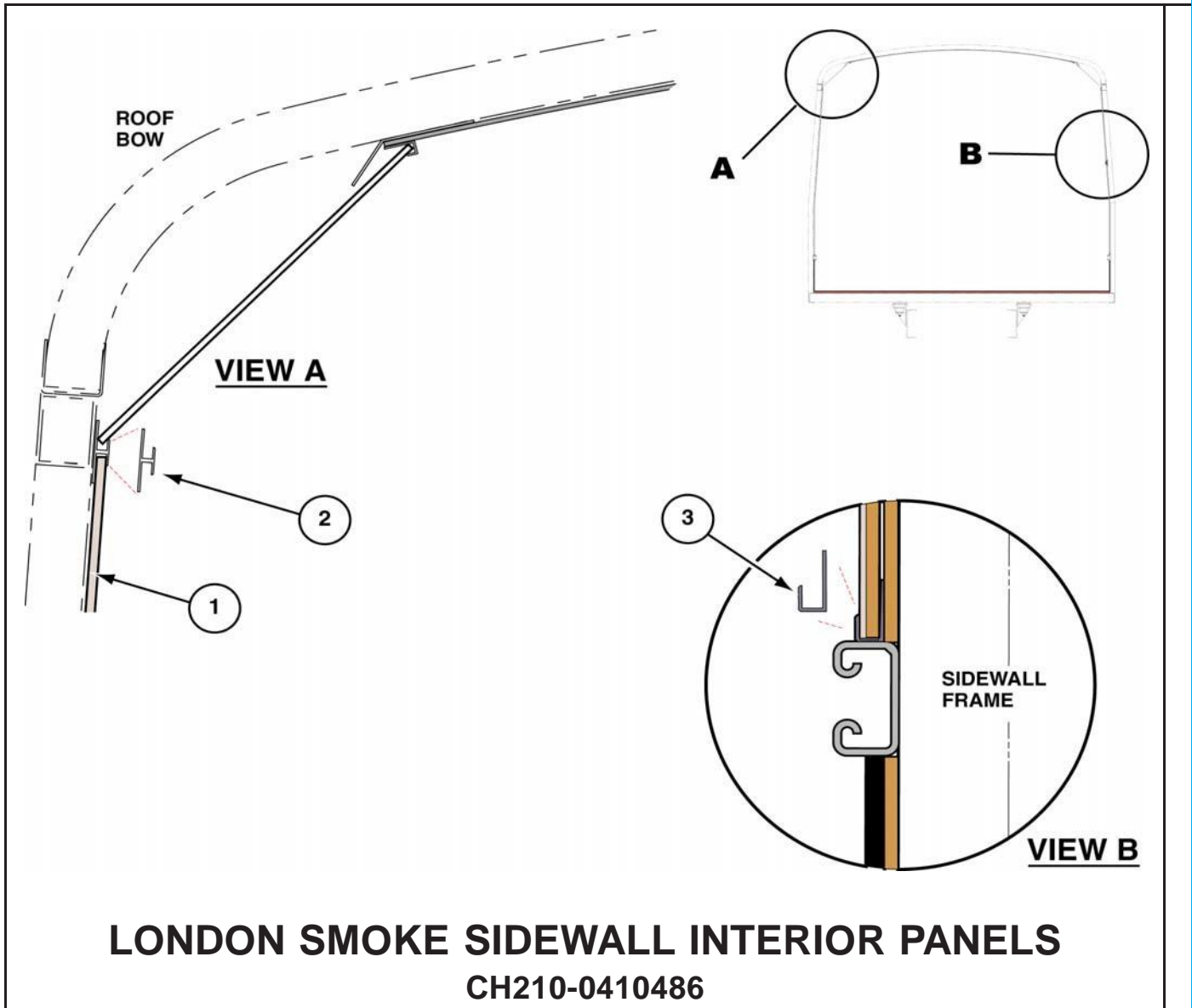


<i>ITEM PARTNO. DESCRIPTION</i>	<i>QTY</i>	<i>ITEM PARTNO. DESCRIPTION</i>	<i>QTY</i>
01 0970052 PANEL, LONDONSMOKE3.64x8	5		
02 3370368 MOLDING, HF101-GRAY	A/R		
03 4570144 CAP, END"J".191/4" x 16" MILLFINISH	2		

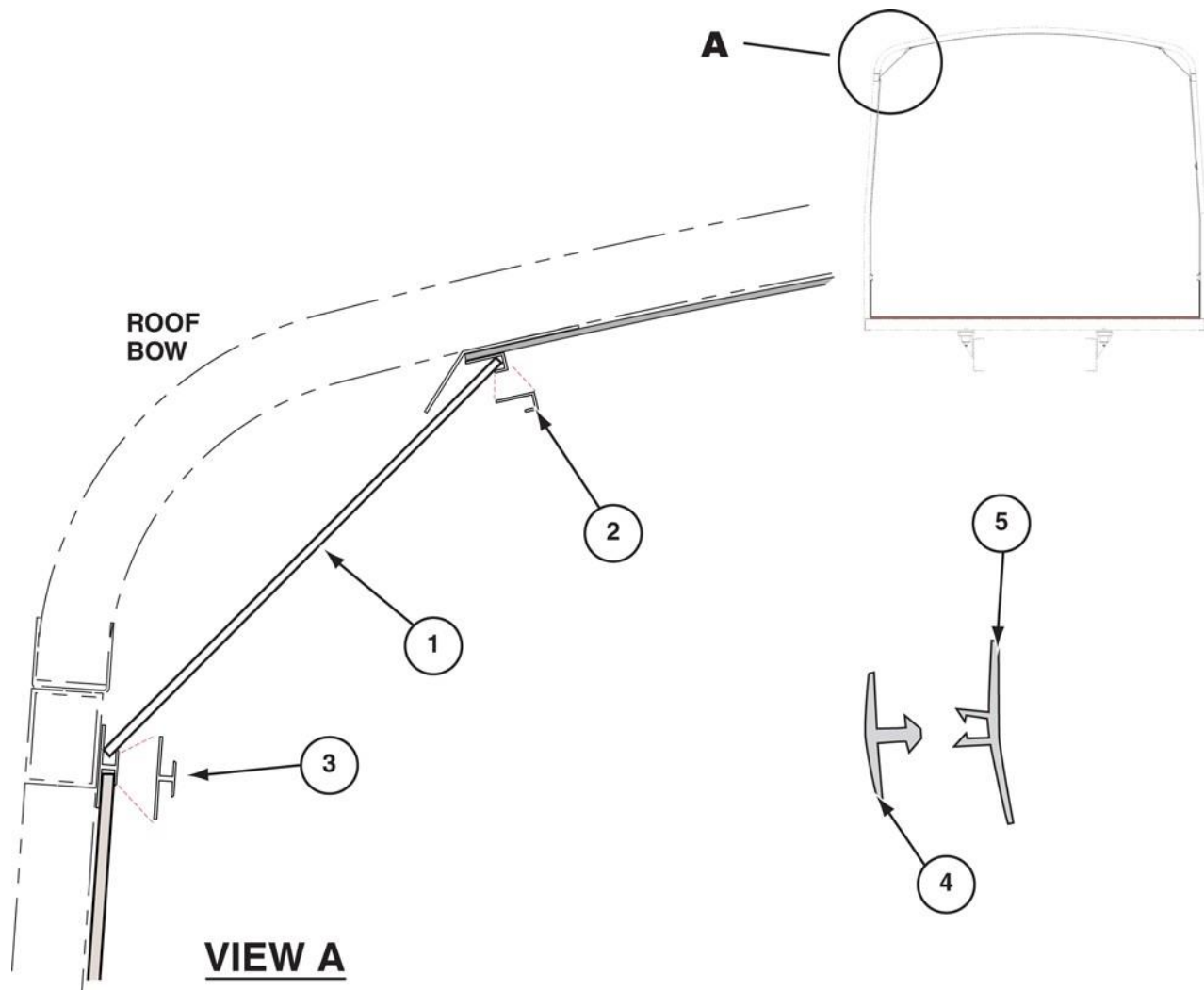


LONDON SMOKE INTERIOR SIDEWALL PANELS 0410508

<i>ITEM PART NO. DESCRIPTION</i>	<i>QTY</i>	<i>ITEM PART NO. DESCRIPTION</i>	<i>QTY</i>
1 0970052 PANEL, LONDON SMOKE	9		
2 3370368 "H"-MOLDING, GRAY	A/R		
3 4570144 "J"-CHANNEL, END CAP	A/R		



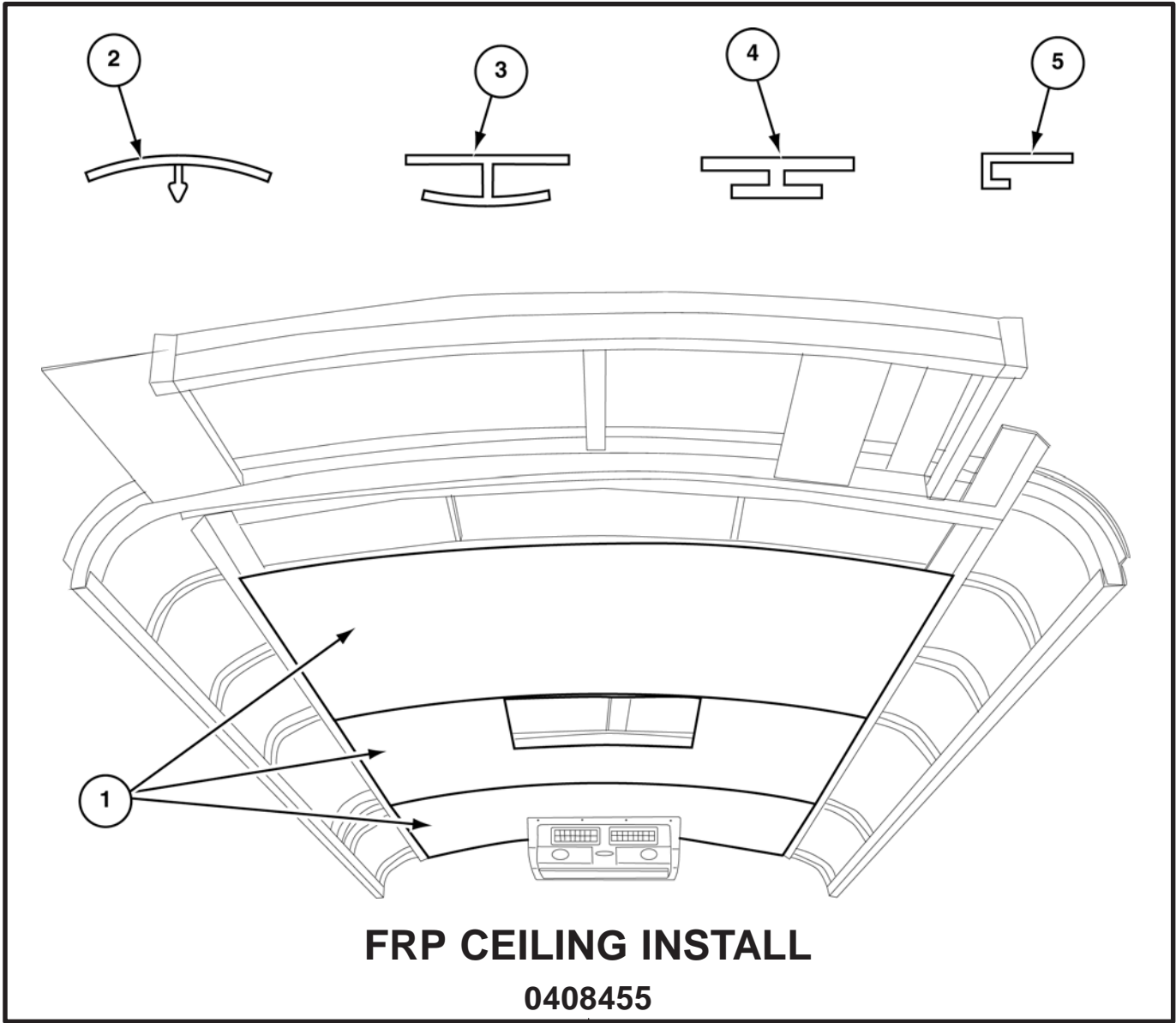
<i>ITEM PARTNO. DESCRIPTION</i>	<i>QTY</i>	<i>ITEM PARTNO. DESCRIPTION</i>	<i>QTY</i>
1 0970052 PANEL, LONDONSMOKE3.64x8	5		
2 3370368 MOLDING, HF101-GRAY	10		
03 4570144 CAP, END"J".191/4" x 16' MILL FINISH	2		



VIEW A

LONDON SMOKE LIGHTBAR
0413399

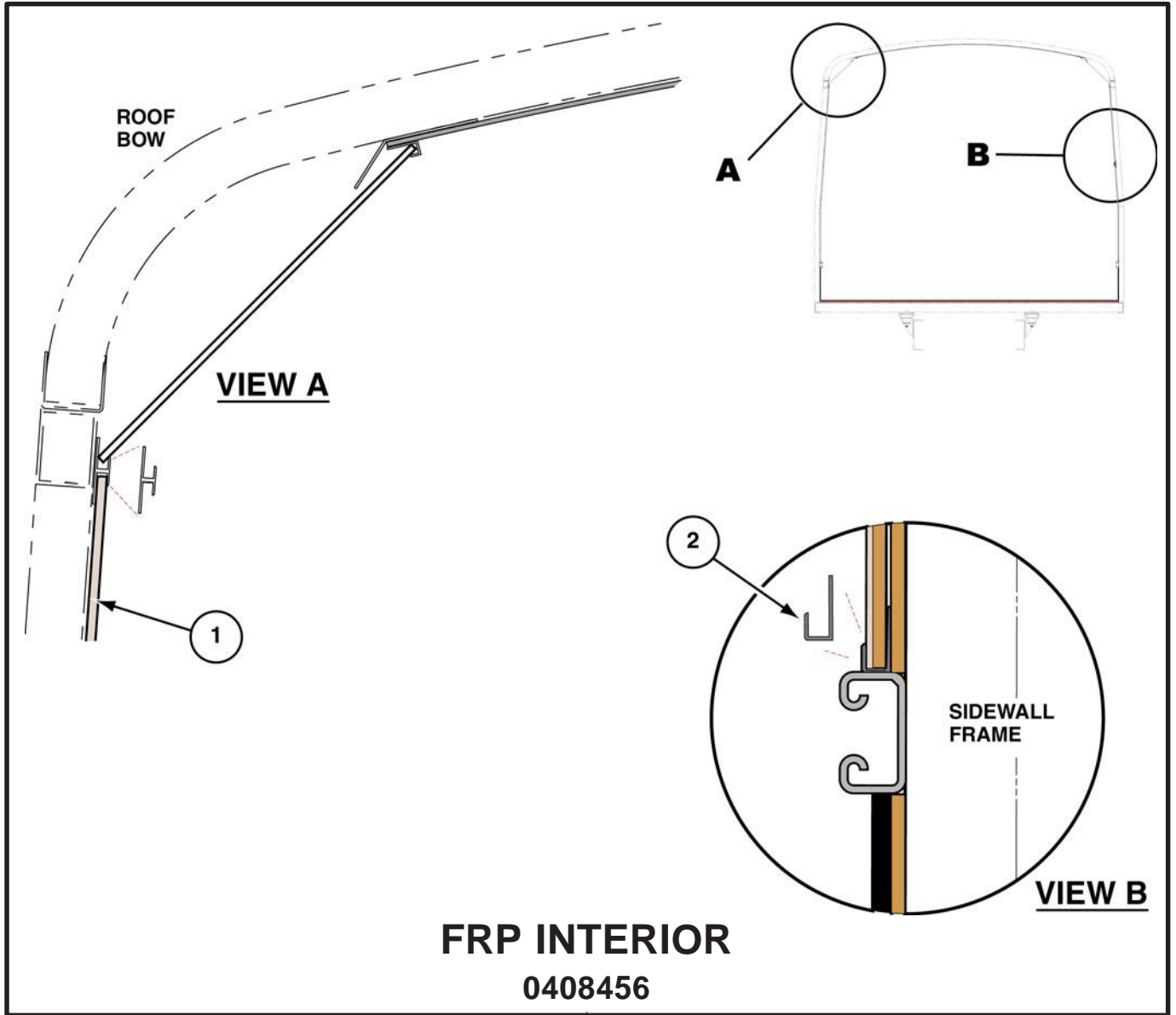
<i>ITEM</i>	<i>PARTNO.</i>	<i>DESCRIPTION</i>	<i>QTY</i>	<i>ITEM</i>	<i>PARTNO.</i>	<i>DESCRIPTION</i>	<i>QTY</i>
01	0970052	PANEL, LONDONSMOKE3.64x8	1				
02	4570140	CAP, END"J".193/16 #290016' MILLFINISH	2				
03	4570137	BAR, DIVIDER"H" 1/4" #203916' MILLFINISH	2				
04	3370990	BATTEN1.5x7 RN457-C-232-7 GRAY	7				
05	3370376	RETAINER, BATTENB' (RN391X)	8				



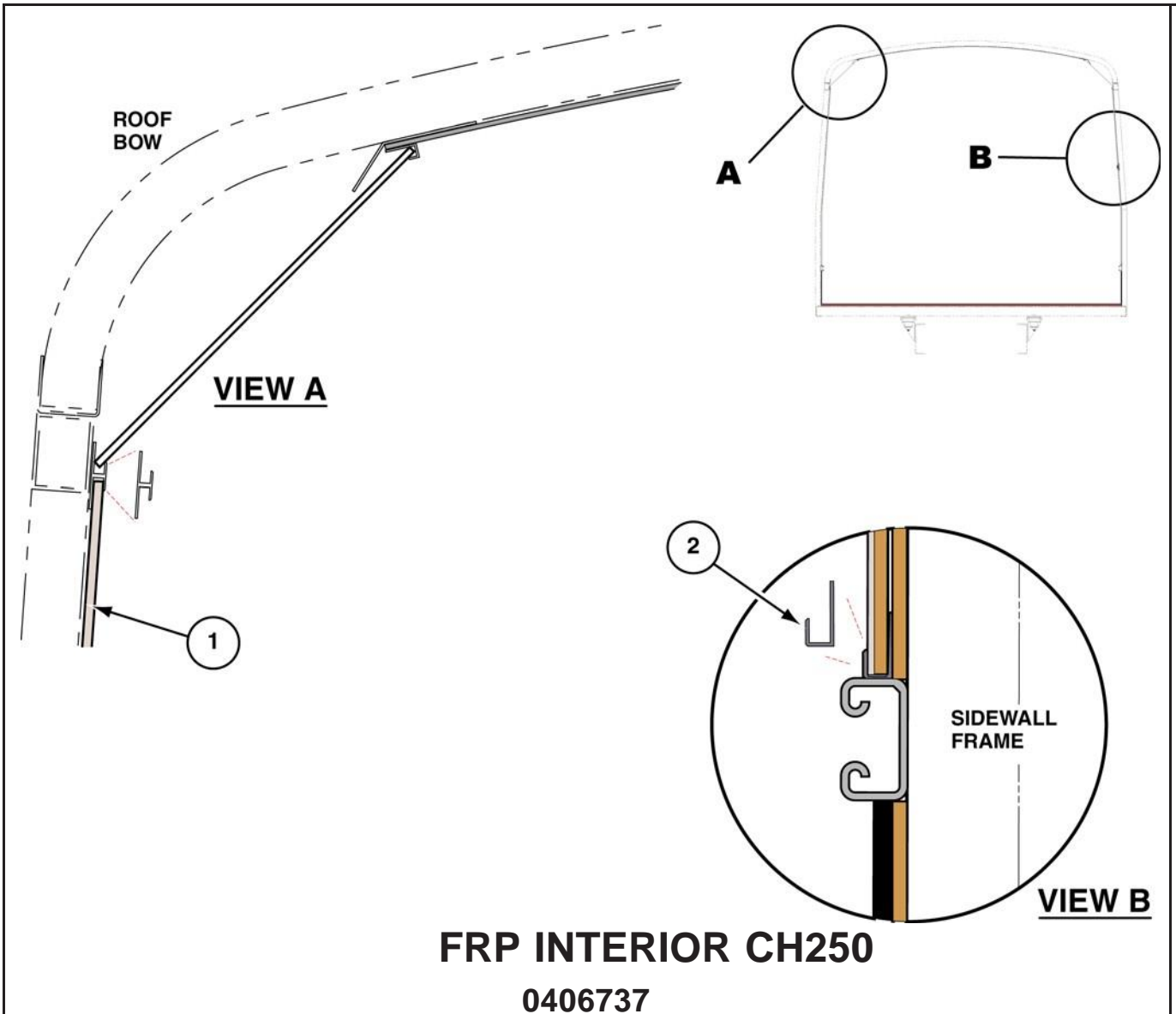
FRP CEILING INSTALL

0408455

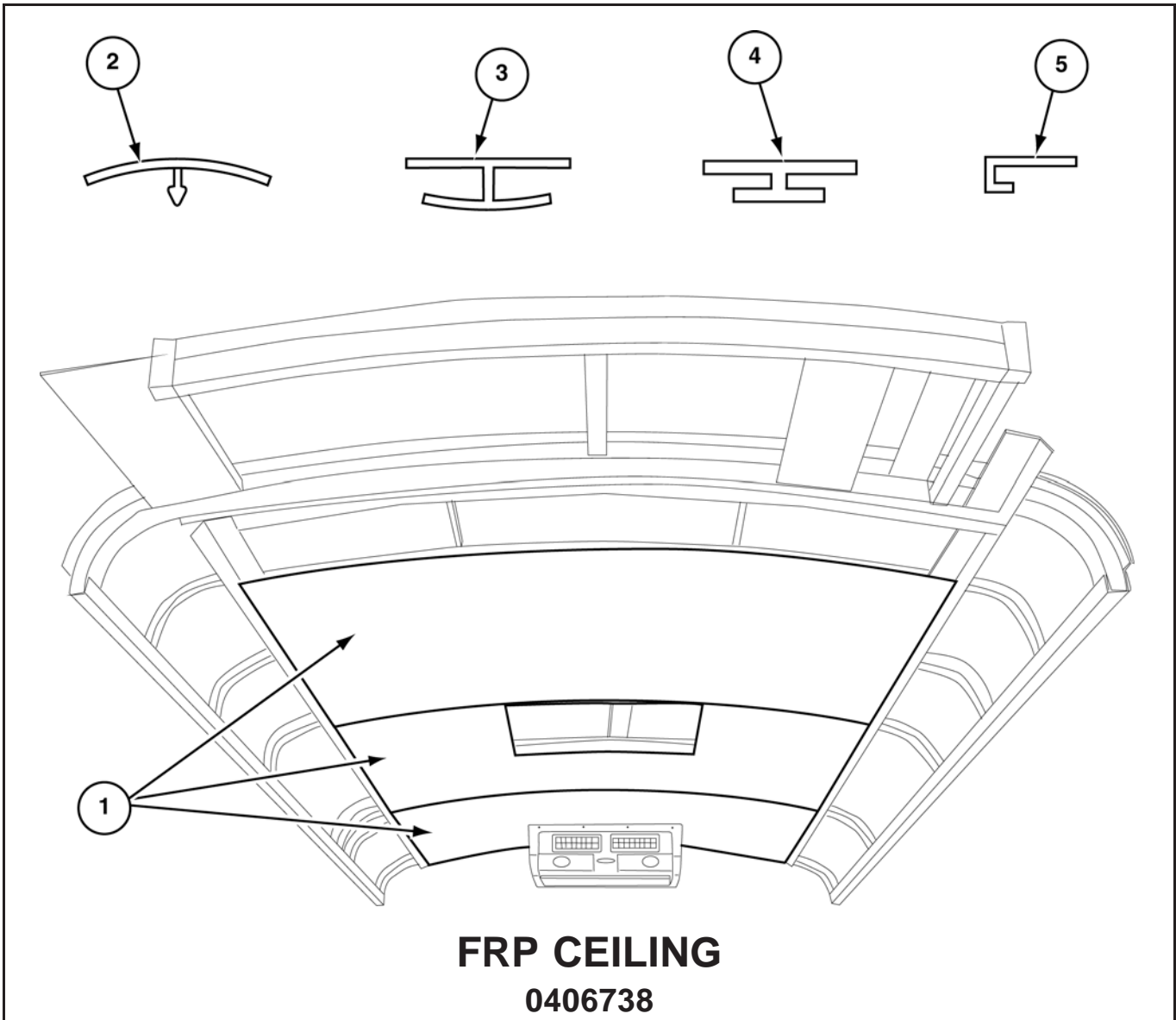
ITEM	PARTNO.	DESCRIPTION	QTY	ITEM	PARTNO.	DESCRIPTION	QTY
01	3371556	FILON(.035x48x500) SMOOTHWHITE	A/R				
02	3371213	BATTEN(1.5x7) GLOSSWHITE	A/R				
03	3370376	RETAINER, BATTEN'S	A/R				
04	4570137	DIVIDERBAR, "H" (1/4") #203916' GRAY	A/R				
05	4570144	ENDCAP, "J" (19/4x16) GRAY	2				
	0970058	FILON, REINFORCED(.035x48x70)	A/R				
	0970059	FILON, REINFORCED(.035x48x96)	A/R				
N/S	3350543	TRIM, BUSCORNER	1				



<i>ITEM</i>	<i>PARTNO.</i>	<i>DESCRIPTION</i>	<i>QTY</i>	<i>ITEM</i>	<i>PARTNO.</i>	<i>DESCRIPTION</i>	<i>QTY</i>
01	3371556	FILON, SMOOTH WHITE (.035x48x500)	A/R				
02	4570144	"J"-CAP, END (GRAY .19x1/4x16)	3				
N/S	8570816	FASTENER, PLASTIC "PUSH IN"	20				
N/S	8570765	SCREW (8x1 WAFERPHTEKZINC)	20				
N/S	3350543	TRIM, BUS CORNER	2				
N/S	8570931	SCREW (8x1 PANQUADTEKCLEAREMPI)	16				

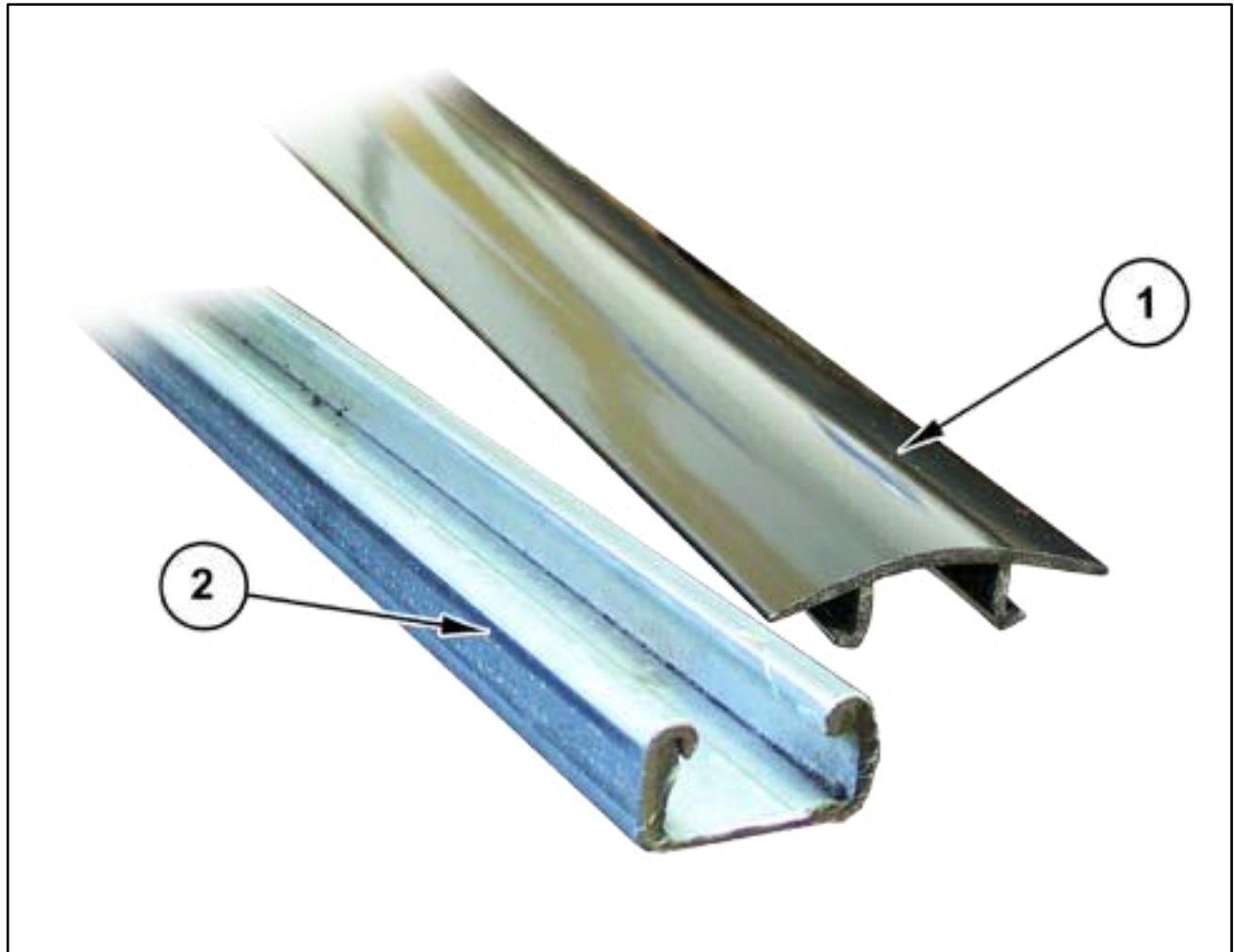


<i>ITEM</i>	<i>PARTNO.</i>	<i>DESCRIPTION</i>	<i>QTY</i>	<i>ITEM</i>	<i>PARTNO.</i>	<i>DESCRIPTION</i>	<i>QTY</i>
01	3371556	FILON, SMOOTHWHITE (.035x48x500)	A/R				
02	4570144	"J"-CAP, END(GRAY.19x1/4x16)	3				



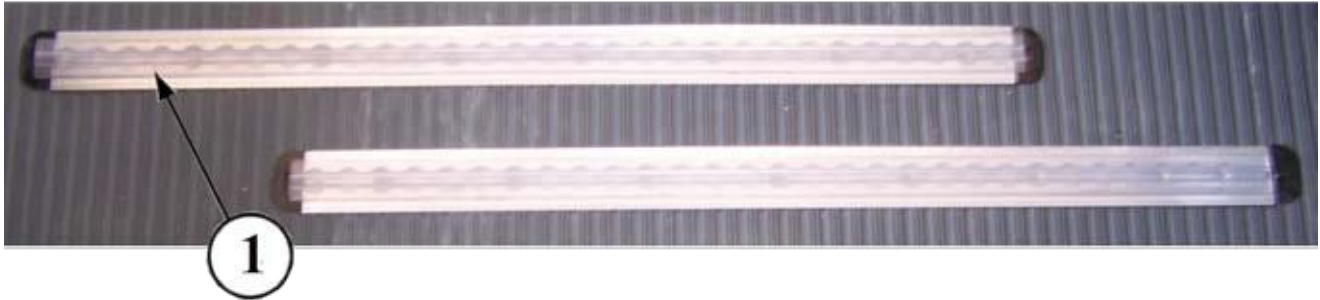
FRP CEILING
0406738

<i>ITEM</i>	<i>PARTNO.</i>	<i>DESCRIPTION</i>	<i>QTY</i>	<i>ITEM</i>	<i>PARTNO.</i>	<i>DESCRIPTION</i>	<i>QTY</i>
1	3371556	FILON,(.035x48x500) SMOOTHWHITE	A/R				
2	3371213	BATTEN(1.5x7) GLOSSWHITE	A/R				
3	3370376	RETAINER, BATTEN'	A/R				
04	4570137	DIVIDERBAR, "H" (1/4") #203916' GRAY	A/R				
05	4570144	ENDCAP, "J" (19/4 x 16) GRAY	2				
	0970058	FILON, REINFORCED (.035x48x70)	A/R				
	0970059	FILON, REINFORCED (.035x48x96)	A/R				
N/S	3350543	TRIM, BUSCORNER	1				



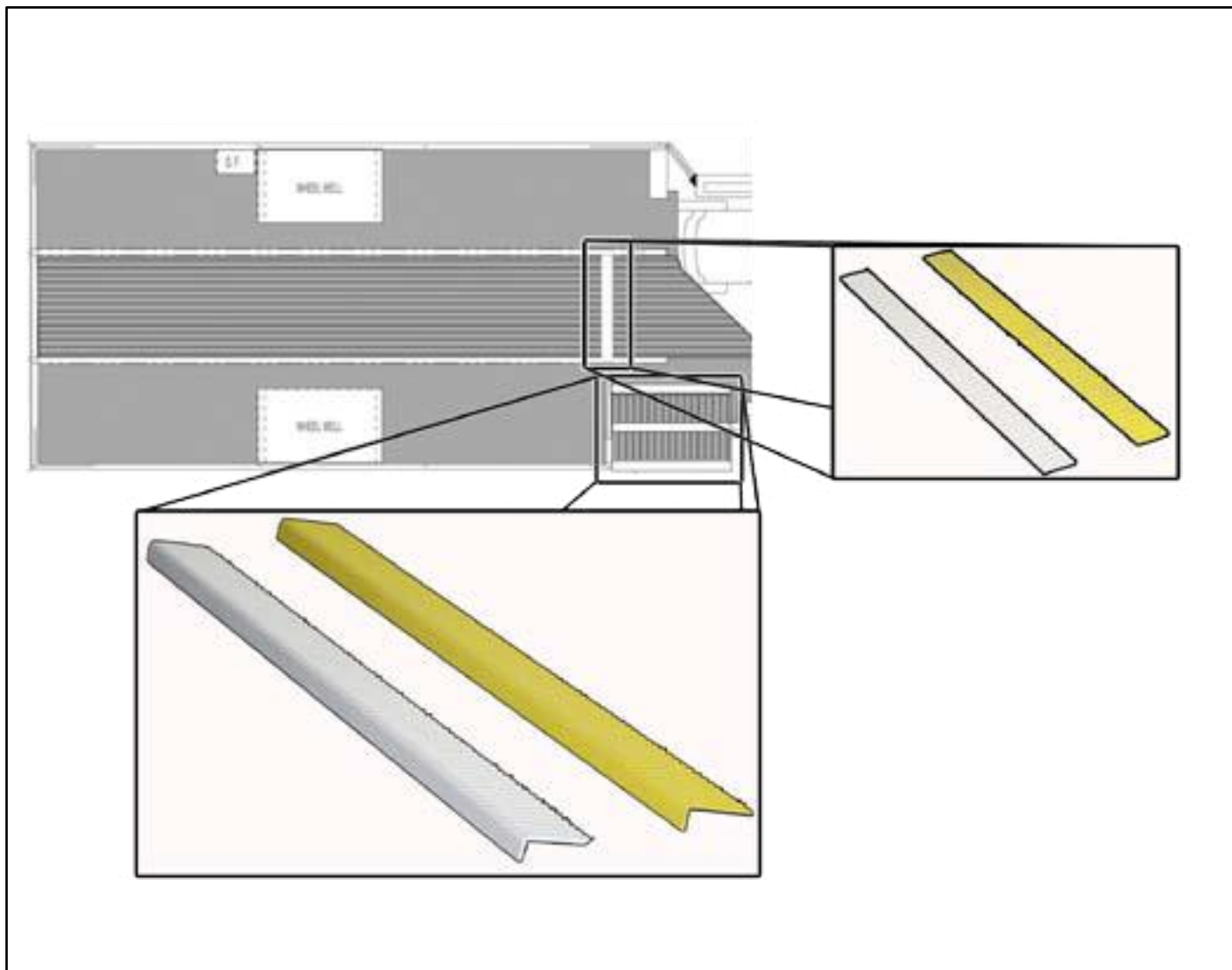
track seating - entire bus 2010

<i>ITEM PART NO. DESCRIPTION</i>	<i>QTY</i>	<i>ITEM PART NO. DESCRIPTION</i>	<i>QTY</i>
01 3371138 Cover, Channel Seat 8'	A/R	INCLUDES THE FOLLOWING ASSEMBLY NO'S:	
02 0377052 Channel, Seat Track 10' HR Steel	A/R	CR-210-900-2010	DF-310-900-2010
		CR-211-900-2010	DF-290-900-2010
		CR-213-900-2010	DF-250-900-2010
		CH-210-900-2010	DF-270-900-2010
		CH-211-900-2010	FD-290-900-2010
		CH-230-900-2010	
		CH-250-900-0210	
		CH-251-903-2010	
		CH-251-902-2010	
		CH-270-900-2010	
		CT-271-902-2010	
		CT-330-999-2010	
		CT-300-998-2010	
		BG-340-900-2010	



Wheelchair track (additional) 0415927

<i>ITEM PART NO. DESCRIPTION</i>	<i>QTY</i>	<i>ITEM PART NO. DESCRIPTION</i>	<i>QTY</i>
01 0374644 Steel, Flat 11 GA 4"x120"	A/R		
N/S 4570061 Track, Tiedown Alum-L W/O Flange	1		

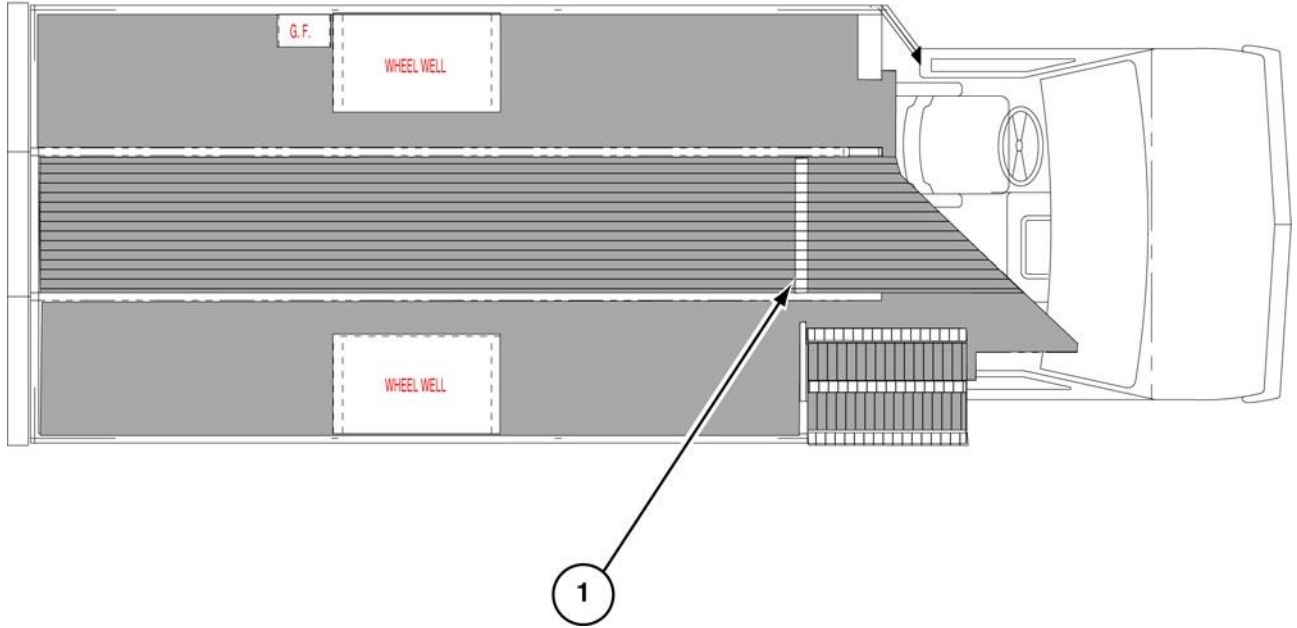


Step Edge / Standee Line Standard

Item Part Number	Description	QTY	Item Part Number	Description	QTY
1540848	EDGE,STEP STEEL .19 X 3 X 34.0		<u>Also Found in Assemblies:</u>		
1570161	EDGE,STEP STEEL .19 X 3 X 44.0		0401115, 0402134, 0402662,0404872, 0402877, 0402877S,		
1540087	EDGE,STEP STEEL .19x3x34		0401463, 0401464, 0402877, 0414343, 0414609, 0416809,		
1570160	EDGE,STEP STEEL .19 X 3 X 44.0		0418957, 0419458, 0420038, 0420054, 0420062, 0420374,		
1570287	EDGE,STEP STL .19 X 3 X 48.88		0420497		
1570269	EDGE,STEP STEEL .19 X 3 X 54"		<u>Also Found in Assemblies:</u>		
1570298	EDGE, STEP (3" X 34 $\frac{1}{4}$ ")		AB-350-900-3116, AB-351-999-3116		
1570362	EDGE, STEP (3" X 44")		SO-304-999-3116, SO-301-999-3116, SO-304-900-3117, SO-		
1570298	EDGE, STEP (3" X 34 $\frac{1}{4}$ ")		301-900-3117,		
1570263	STANDEE,WHITE .19 X 29.38 X 2.0		CH0000033258, CH-000-998-3116, CX-000-900-3110,		
1570264	STANDEE,YELLOW .19 X 29.38 X 2.0		CH-000-900-3111, CH-000-900-3111Y, CH-000-900-3110Y		
1571283	STANDEE, WHITE (7/8" X 24 $\frac{1}{2}$ " X 2")		CT-000-900-3111, CT-000-900-3111Y. CT-000-900-3116		
			SR-000-900-3110,		
			CX-000-900-3110Y, CX-000-900-3110, CX-000-900-3110, CX-		
			000-900-3117, CX-000-999-3114, CX-000-900-3115		
			CX0000030008		

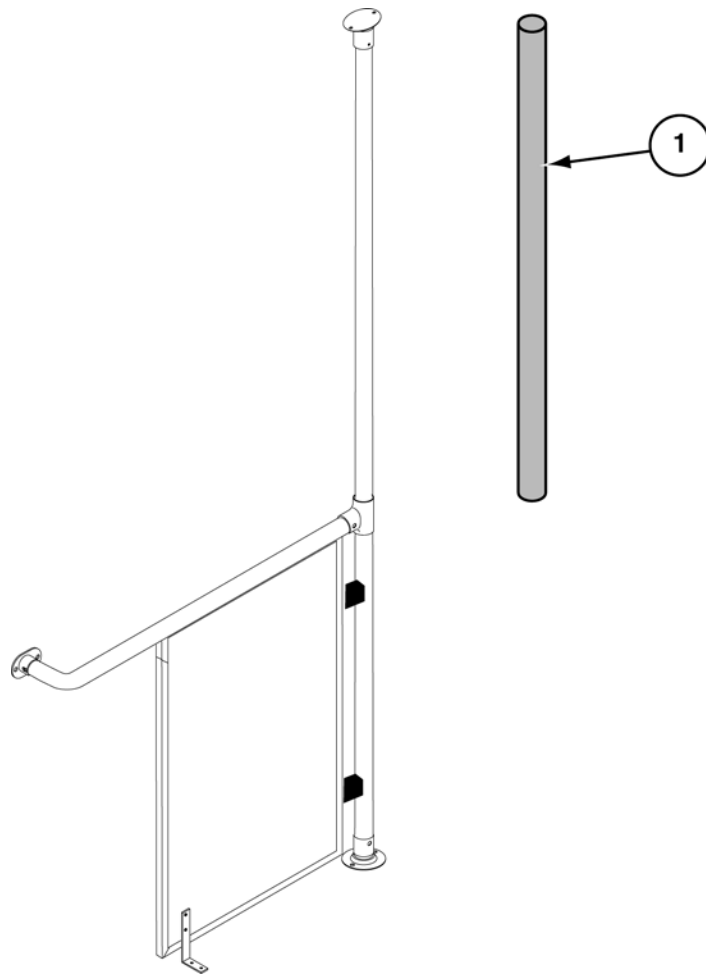
2

STANDING FORWARD
OF WHITE LINE IS
NOT PERMITTED WHILE
VEHICLE IS IN MOTION



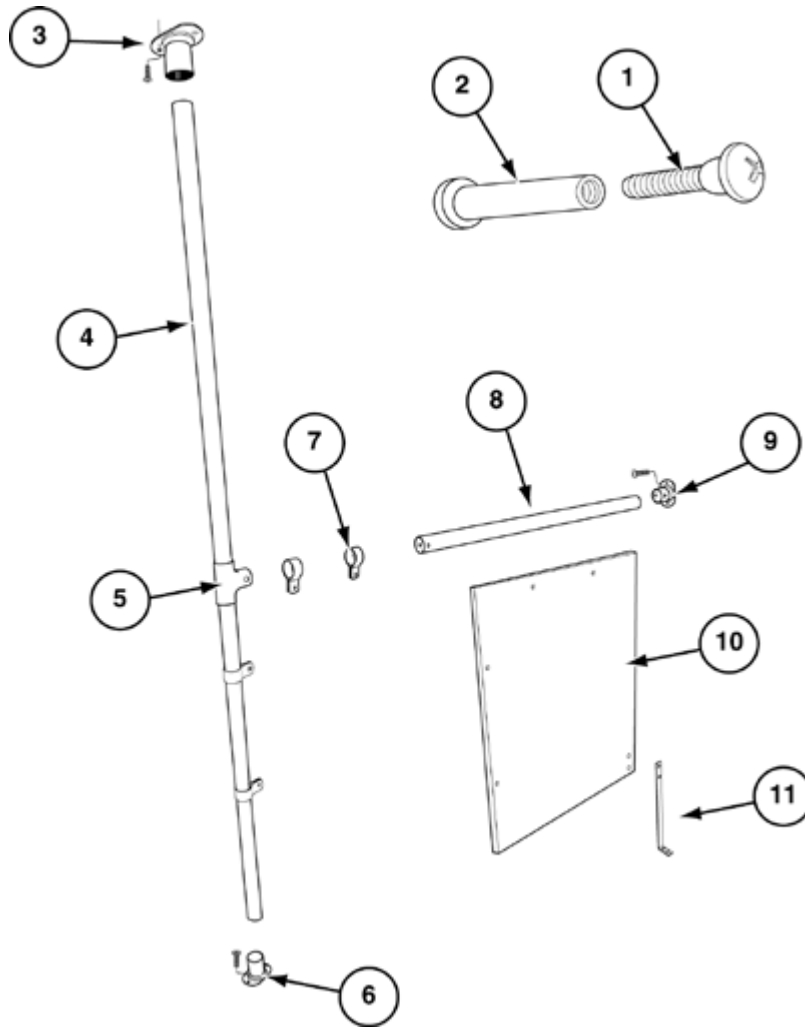
INSTALL WHITE STANDEE LINE CX-000-900-3110

ITEM	PARTNO.	DESCRIPTION	QTY	ITEM	PARTNO.	DESCRIPTION	QTY
01	1541283	STANDEE WHITE (7/8 x 24-1/2 x 2)	1				
02	8980583	LABEL, STANDING FORWARD OF WHITE LINE	1				



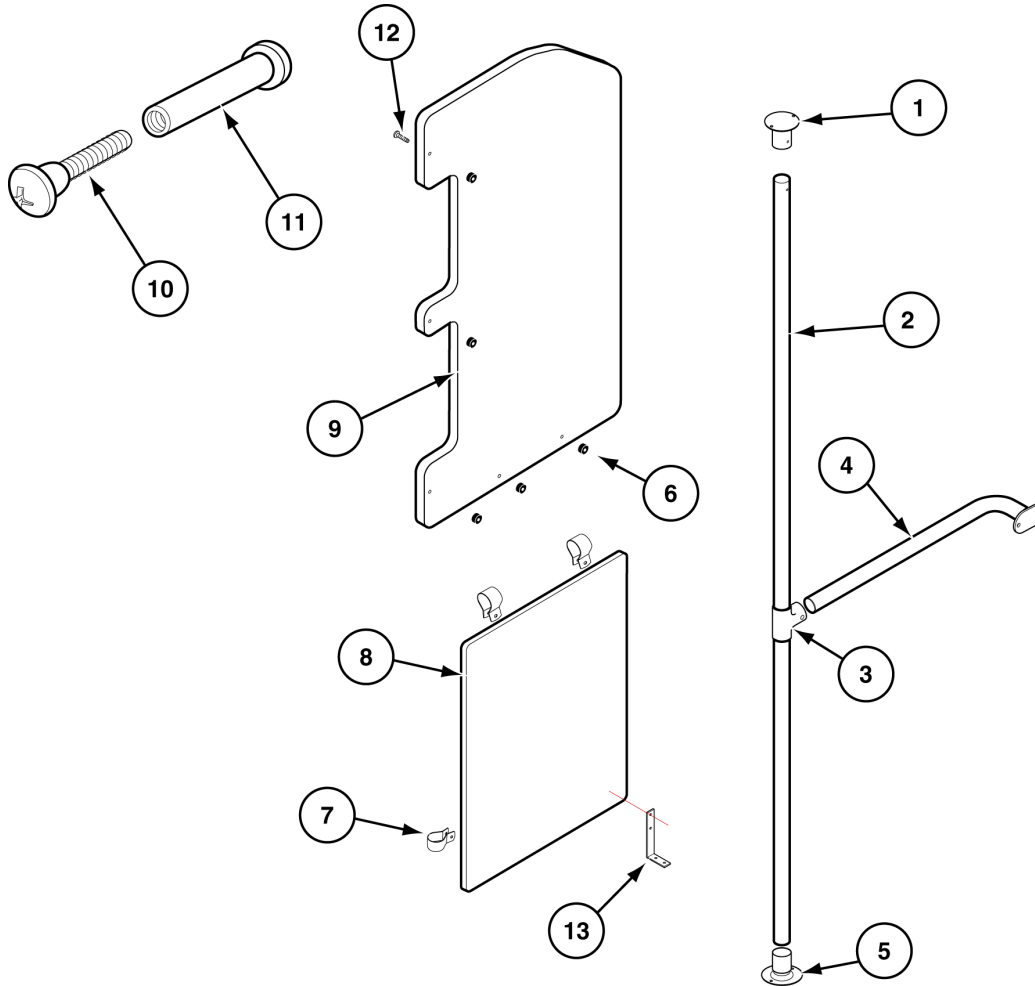
INSTALL STANCHION PADDING
CX-000-900-1913B

<i>ITEM</i>	<i>PARTNO.</i>	<i>DESCRIPTION</i>	<i>QTY</i>	<i>ITEM</i>	<i>PARTNO.</i>	<i>DESCRIPTION</i>	<i>QTY</i>
01	6170246	PAD,STANCHIONBLACK36"	3				



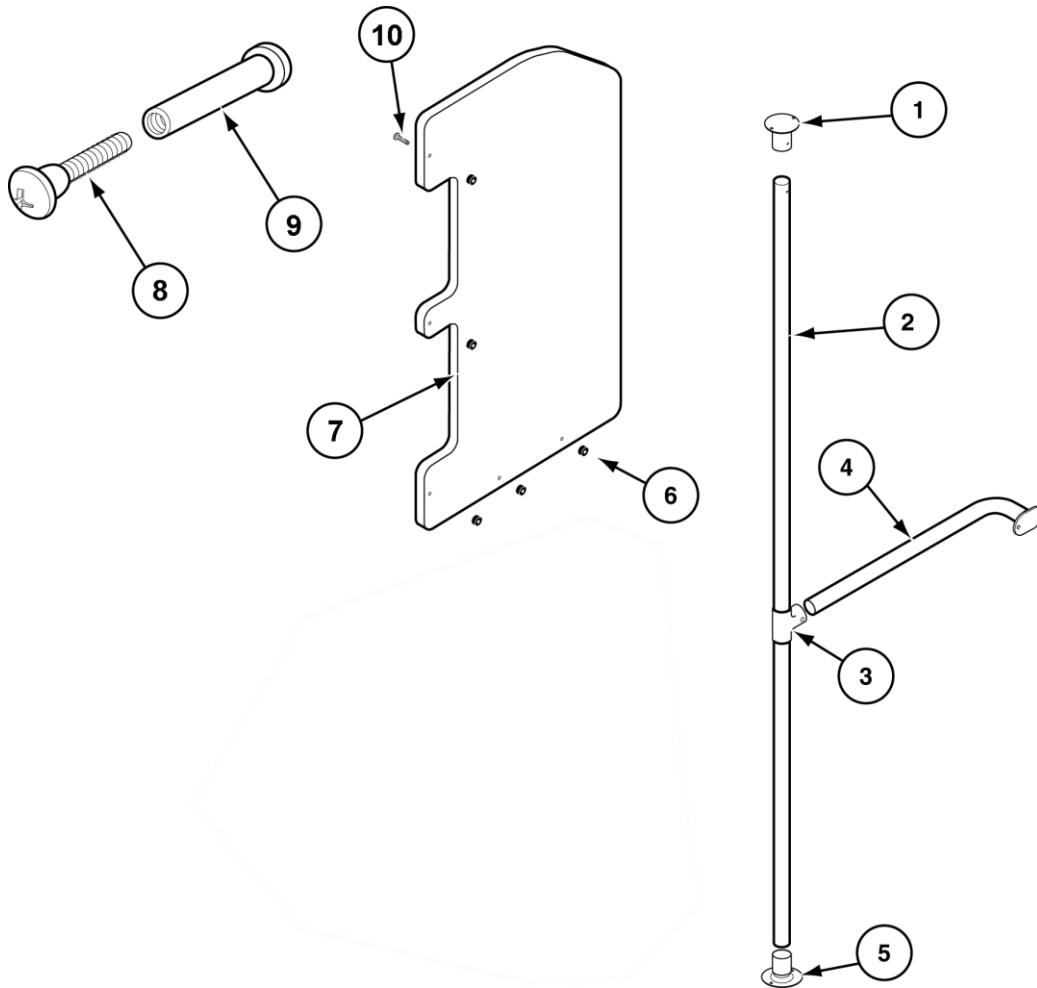
Stanchion, Driver'S w/modeSty panel 0409486 (rev-e)

ITEM	PART NO.	DESCRIPTION	QTY	ITEM	PART NO.	DESCRIPTION	QTY
0409486 Stanchion, Driver's w/Mod ABS CH/GM/D				11	4540241	Bar, Aluminum .125 x 1" x 10'	A/R
				NS	0379244	Bracket, Driver's Stanchion Gen 2	1
1	0377868	Bolt, Stanchion Locking 2422 Male	5				
2	0377869	Nut, Stachion Locking 2423 Female	5				
3	0377112	Fitting, S/S Base 5 Degree W/Rubber	1				
04	0346494	Tube, .065 x 1.25	A/R				
05	0346379	Fitting, S/S Tee #50100	1				
6	0343695	Fitting, S/S Bottom	1				
7	0377051	Fitting, S/S Modesty Panel Mount	3				
08	0346494	Tube, .065 x 1.25	A/R				
9	0376089	Fitting, S/S Oval Base Flange	1				
10	3371416	Panel, Modesty 1/4 x 19 x 24 ABS	1				
NS	0378648	Mount, Stanchion Upper	1				
NS	0376030	Fitting, S/S Elbow W/Base	1				



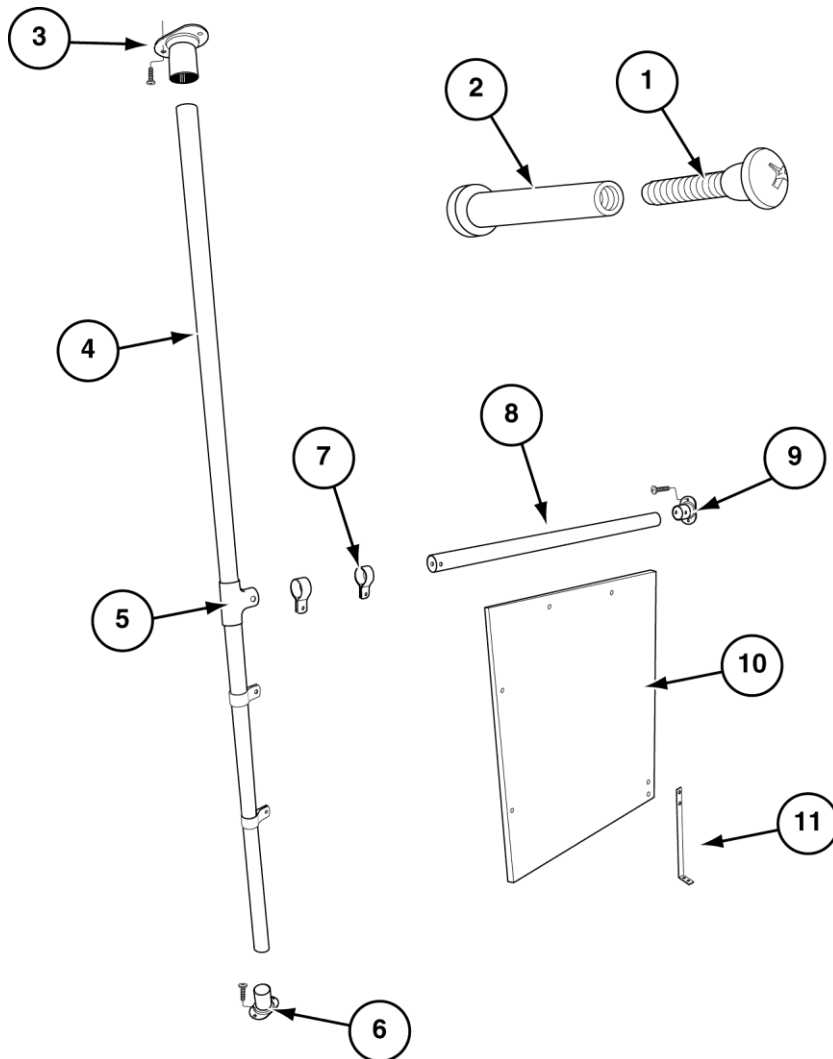
INSTALL DRIVER'S BARRIER & STANCHION CH0000073040 REV-A / 0408674

ITEM	PART NO.	DESCRIPTION	QTY	ITEM	PART NO.	DESCRIPTION	QTY
01	0377112	FITTING, BASE W/RUBBER 5° S/S	1	10	0377869	NUT, STANCHION 2423 FEMALE	4
02	0346494	TUBE (.065 x 1.25 x 236" S/S) 180 GRID	A/R	11	0377868	BOLT, STANCHION 2422 MALE	4
03	0346379	FITTING, TEE S/S #50100	1	13	0377098	BRACKET, MODESTY PANEL SUPPORT	1
04	0346494	TUBE (.065 x 1.25 x 17' S/S) 180 GRID	A/R	14	0376089	FITTING, OVAL BASE FLANGE S/S	1
05	0343695	FITTING, BOTTOM S/S #49011	1	N/S	8570996	SCREW, MACHINE (10-32 ACORN LOCK) S/S	5
7	0377051	FITTING, MODESTY PANEL MOUNT S/S	3	N/S	8571085	NUT, HEX (10-32 ACORN LOCK)	5
8	3371417	PANEL, MODESTY (1/4 x 25 x 24 ABS) GRAY	1	N/S	4970425	BUMPER, RUBBER DOOR	9
0408674 DRIVER'S BARRIER W/HAND CUT OUT 3/8				N/S	8570706	SCREW, 10 X 1½ PAN QUAD ZINC	9
9	5970876	PANEL, ACRYLIC (3/8 x 48 x 96) GRAY PANEL 20	A/R	N/S	0378648	MOUNT, STANCHION UPPER	1



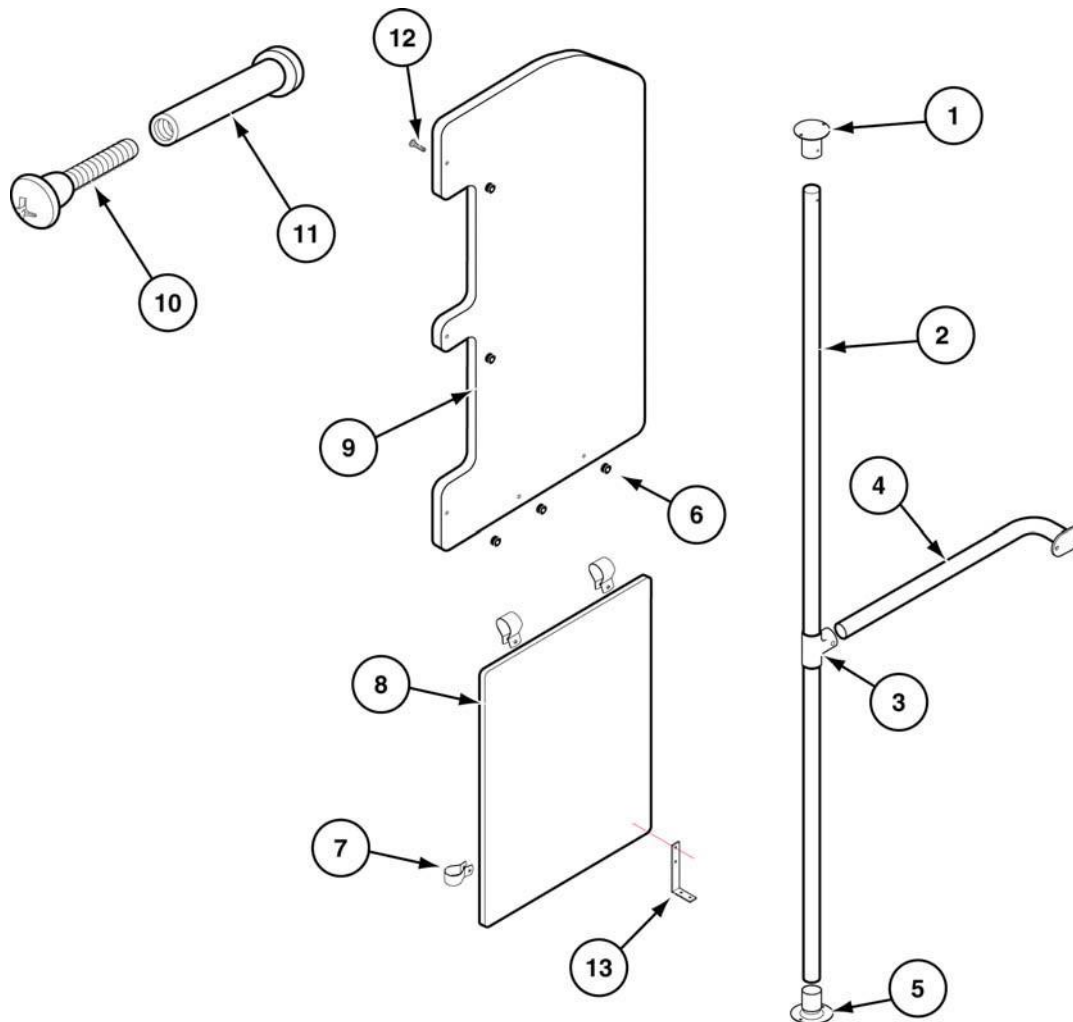
INSTALL DRIVER'S BARRIER & STANCHION PD0000073040 (REV-B)

ITEM	PART NO.	DESCRIPTION	QTY	ITEM	PART NO.	DESCRIPTION	QTY
01	0377112	FITTING, S/S BASE 5°	2	8	0377869	NUT, STANCHION 2423 FEMALE	4
02	0346494	TUBE (.065 x 1.25 x 236" S/S) 180 GRID	A/R	9	0377868	BOLT, STANCHION 2422 MALE	4
03	0346379	FITTING, TEE S/S #50100	2	10	0378648	MOUNT, STANCHION UPPER	1
04	0346494	TUBE (.065 x 1.25 x 17' S/S) 180 GRID	A/R	N/S	8570996	SCREW, MACHINE (10-32 ACORN LOCK) S/S	5
05	0343695	FITTING, BOTTOM S/S #49011	2	N/S	8571085	NUT, HEX (10-32 ACORN LOCK)	5
6	0377051	FITTING, MODESTY PANEL MOUNT S/S	4	N/S	4970425	BUMPER, RUBBER DOOR	9
NS	0376030	FITTING, S/S ELBOW W/BASE	2	N/S	8570706	SCREW, 10 X 1½ PAN QUAD ZINC	9
0408674 DRIVER'S BARRIER W/HAND CUT OUT 3/8				OPTIONAL:			
7	5970876	PANEL, ACRYLIC (3/8 x 48 x 96) GRAY PANEL 20	A/R	NS	3180011	PAINT, POWDER COAT STANCHION - YELLOW 17'	2



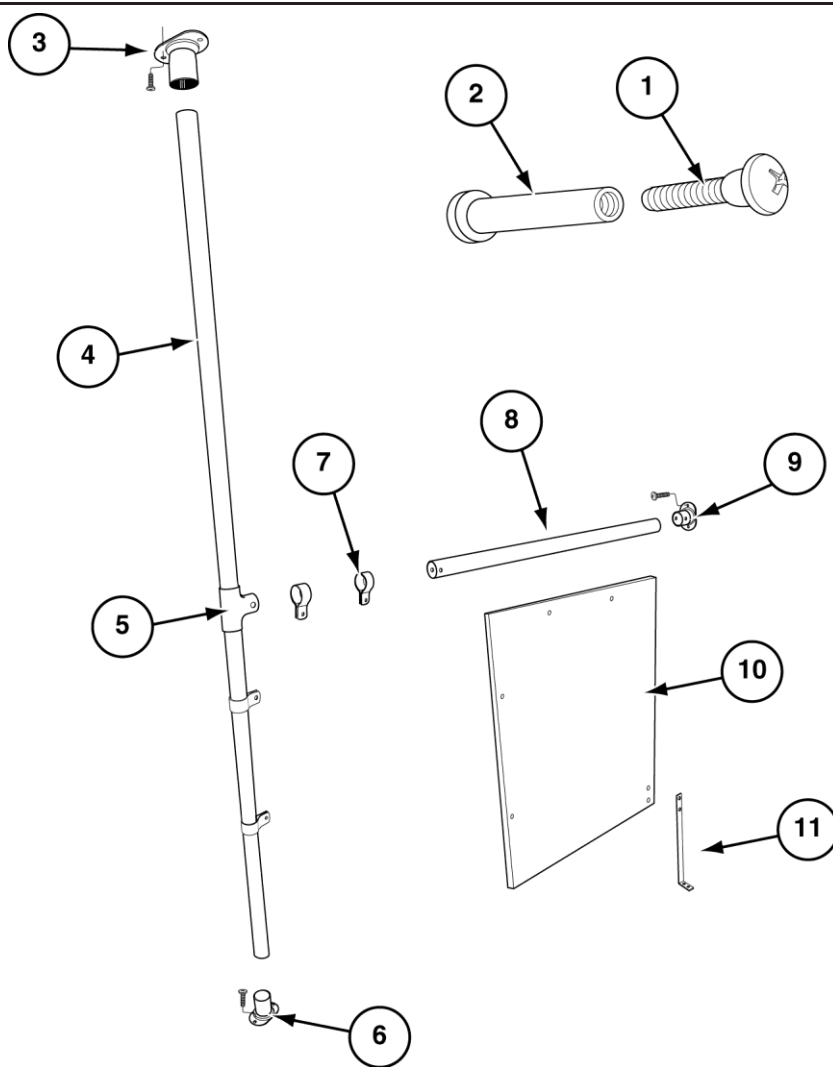
ENTRY DOOR STANCHION REV-A
0414335

<i>ITEM</i>	<i>PART NO.</i>	<i>DESCRIPTION</i>	<i>QTY</i>	<i>ITEM</i>	<i>PART NO.</i>	<i>DESCRIPTION</i>	<i>QTY</i>
1	0377868	BOLT, STANCHION 1422 MALE	5	08	0346494	TUBE, 17" S/S 180GRID	A/R
2	0377869	NUT, STANCHINON 1423 FEMALE	5	09	0376089	FITTING, S/S OVAL BASE FLANGE	1
03	0377112	FITTING, S/S BASE 5 DEGREE H2016-44300	1	10	3371656	PANEL, MODESTY 1/4 x 14.88 x 30	1
04	0346494	TUBE, .065 x 1.25 x 236" S/S/180 GRID	A/R	11	0412639	BRACKET, MODESTY PANEL SUPPORT	1
05	0346379	FITTING, S/S TEE #50100 ONE HOLE	2	11	4540241	BAR. ALUMINUM .125 x 1" x 10' BR1540M	A/R
06	0343695	FITTING, S/S BOTTOM 49011	2	N/S	0376030	FITTING, S/S ELBOW W/BASE	1
07	0377051	FITTING, S/S MODESTY PANEL MOUNT	3	N/S	8570996	SCREW, MACHINE 10-32 x 1/2 PHIL PAN ZINC	5
				N/S	8571085	NUT, HEX 10-32 ACORN LOCK S/S	5



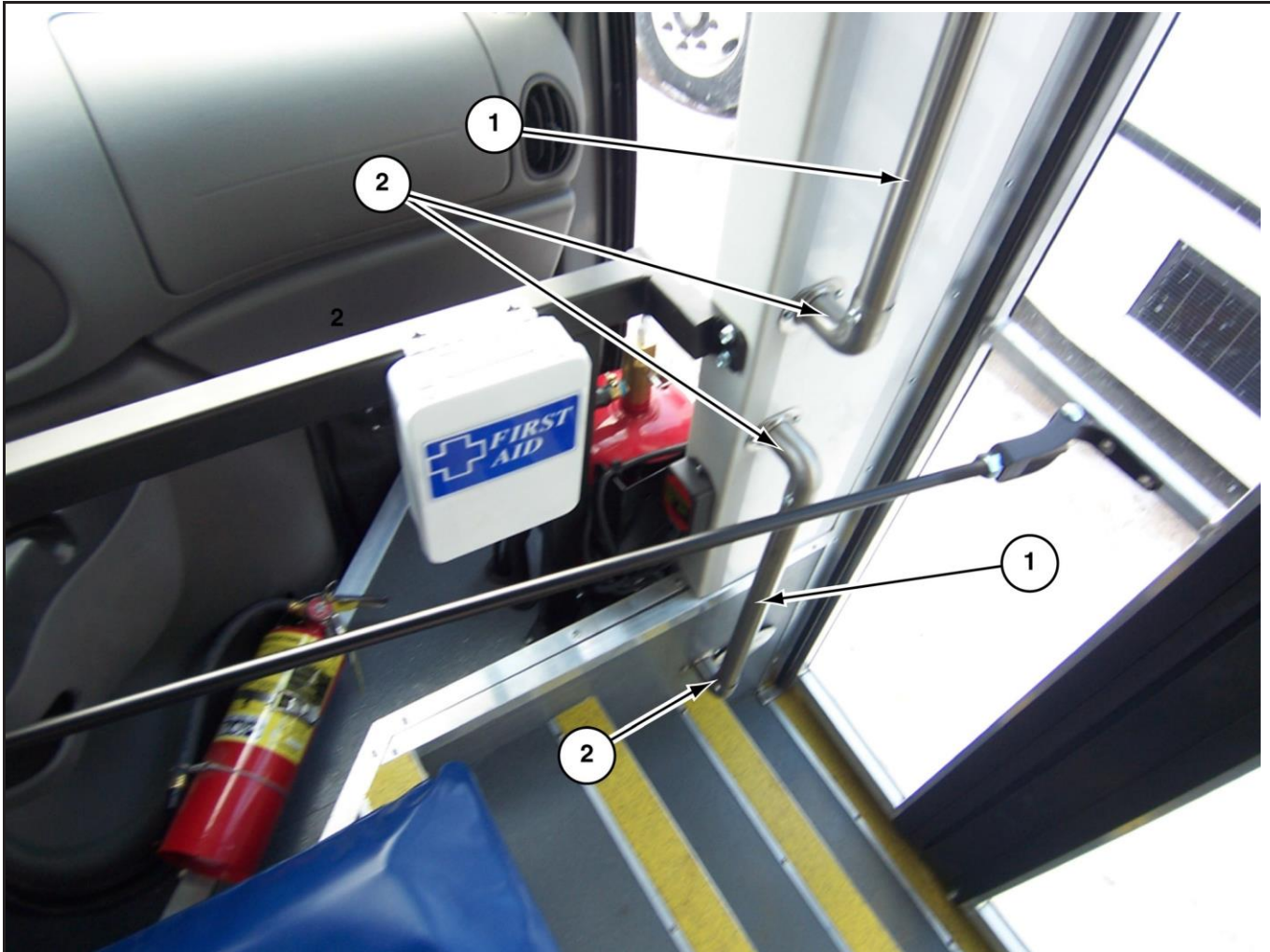
DRIVER'S STANCHION 0410192

<i>ITEM</i>	<i>PARTNO.</i>	<i>DESCRIPTION</i>	<i>QTY</i>	<i>ITEM</i>	<i>PARTNO.</i>	<i>DESCRIPTION</i>	<i>QTY</i>
01	0377112	FITTING, BASEW/RUBBER5° S/S	1	10	0346460	NUT, STANCHION1423FEMALE	2
02	0346486	TUBE(.065x1.25x76S/S) 180GRID	A/R	11	0346478	BOLT, STANCHION1422MALE	2
03	0346379	FITTING, TEES/S#50100	1	13	0377098	BRACKETMODESTYPANEL SUPPORT	1
04	0346494	TUBE(.065x1.25x17' S/S) 180GRID	A/R	14	0376089	FITTING, OVAL BASEFLANGES/S	1
05	0343695	FITTING, BOTTOMS/S#49011	1	N/S	8570996	SCREW, MACHINE (10-32ACORNLOCK) S/S	5
7	0377051	FITTING, MODESTYPANEL MOUNT S/S	3	N/S	8571085	NUT, HEX(10-32ACORNLOCK)	5
8	3371416	PANEL, MODESTY (1/4x19x24ABS) GRAY	1				
9	5970876	PANEL, ACRYLIC (3/8x48x96) GRAY	A/R				



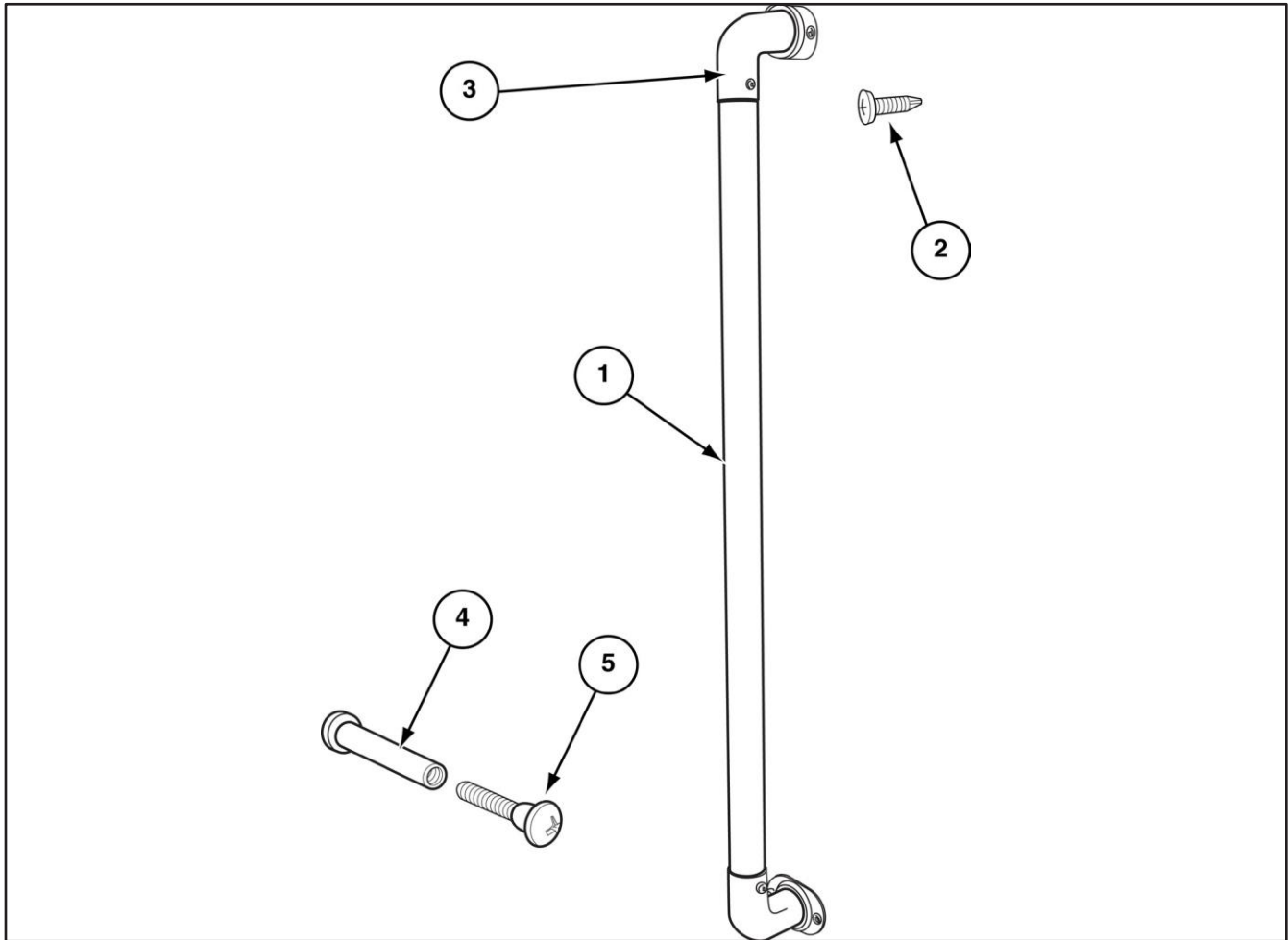
ENTRY DOOR STANCHION W/ ABS REINFORCEMENT
0416663 REV-A, 0412639

ITEM	PART NO.	DESCRIPTION	QTY	ITEM	PART NO.	DESCRIPTION	QTY
0416663 STANCHION, ENTRY DOOR W/ABS				0412639 BRACKET, MODESTY PANEL SUPPORT			
N/S	8571085	NUT, HEX 10-32 ACORN LOCK S/S	5	11	4540241	BAR, ALUMINUM .125 X 1" X 10'	AR
1	0377868	BOLT, STANCHION LOCKING 1422 MALE	5				
2	0377869	NUT, STANCHION LOCKING 1423 FEMALE	5				
3	0377112	FITTING, S/S BASE 5 DEGREE W/RUBBER	1				
4	0346494	TUBE, .065 x 1.25 x 236" S/S/180 GRID	1				
5	0346379	FITTING, S/S TEE #50100 ONE HOLE	2				
6	0343695	FITTING, S/S BOTTOM 49011	2				
7	0377051	FITTING, S/S MODESTY PANEL MOUNT	3				
8	0346494	TUBE, .065 X 1.25 X 17' S/S 180GRID	A/R				
9	0376089	FITTING, S/S OVAL BASE FLANGE	1				
10	3371415	PANEL, MODESTY 1/4 x 13 x 24 ABS GRAY	1				
N/S	8570996	SCREW, MACHINE 10-32 x 1/2 PHIL PAN ZINC	5				



RIGHT HAND GRAB RAIL 0402453A

<i>ITEM PART NO. DESCRIPTION</i>	<i>QTY</i>	<i>ITEM PART NO. DESCRIPTION</i>	<i>QTY</i>
01 0346494 TUBE (.065 x 1.25 x 17')	A/R		
02 0376089 FITTING, S/S OVAL BASE FLANGE	3		
N/S 0343695 FITTING, S/S BOTTOM 49011	1		
N/S 0646379 FITTING, S/S STEE #50100 ONE HOLE	2		
N/S 8570943 SCREW (8 x 3/4) PANQUAD	8		
N/S 0377869 NUT, STANCHION	6		
N/S 0377868 BOLT, STANCHION	6		



RIGHT HAND GRAB RAIL ELECTRIC DOOR CH-000-900-1825E

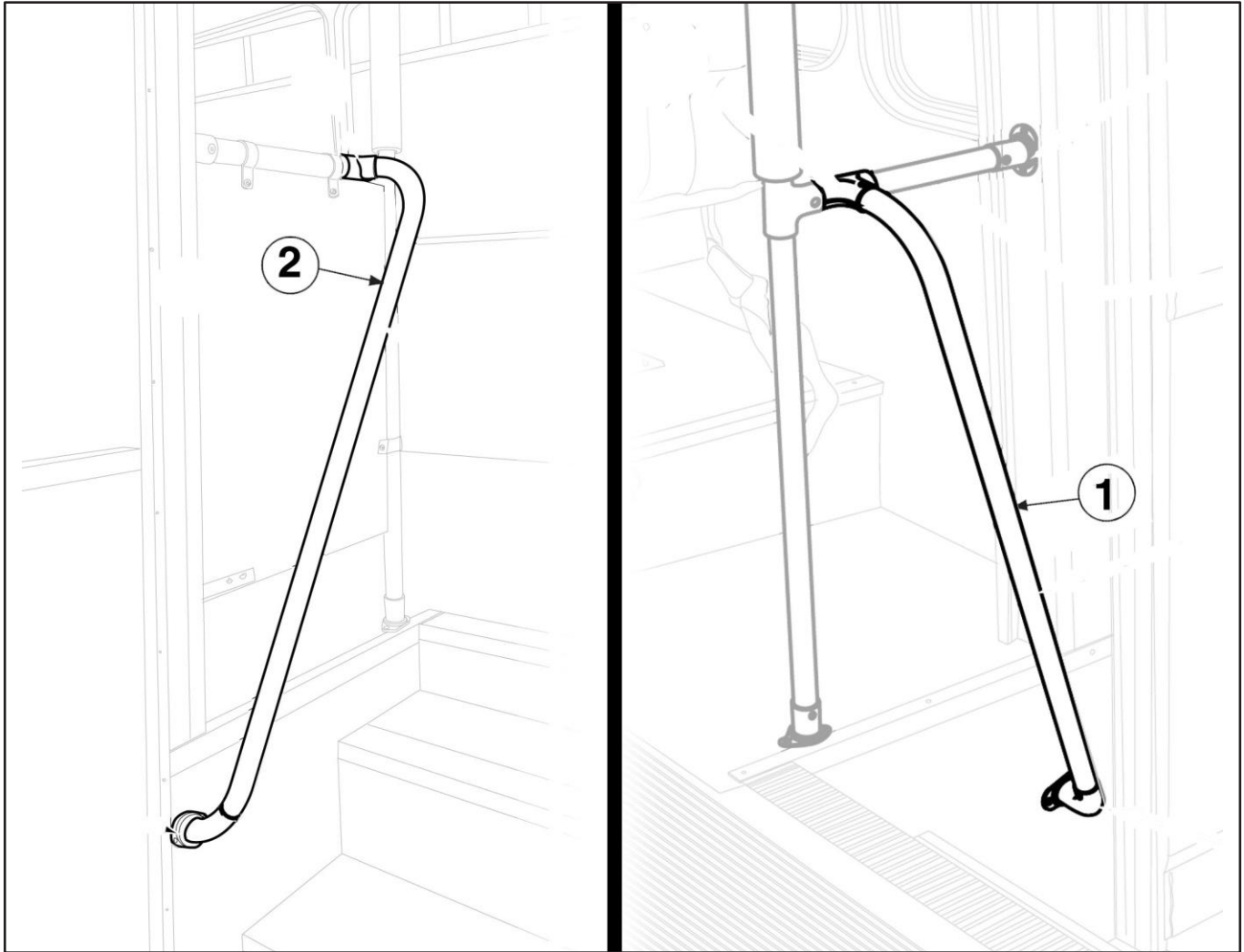
<i>ITEM PART NO. DESCRIPTION</i>	<i>QTY</i>	<i>ITEM PART NO. DESCRIPTION</i>	<i>QTY</i>
01 0346494 TUBE, .065 x 1.25 x 17' S/S CLAD	A/R		
2 8570943 SCREW, 8 x 3/4 PAN QUAD T2 EMPG CLR	A/R		
3 0376030 FITTING, S/S ELBOW W/BASE	2		
4 0377868 BOLT, STANCHION LOCKING 2422 MALE	2		
5 0377869 NUT, STANCHION LOCKING 2423 FEMALE	2		



Entry r/h grab rail-yellow dimpled 0418230

<i>ITEM PART NO. DESCRIPTION</i>	<i>QTY</i>	<i>ITEM PART NO. DESCRIPTION</i>	<i>QTY</i>
01 0377752 Tube, Stanchion 1-1/4" Dimpled Yellow	AR		
NS 0346379 Fitting, S/S Tee One Hole #50100	1		
NS 0376030 Fitting, S/S Elbow W/Base	3		
NS 0347260 Fitting, S/S Elbow #19000	1		
NS 0377868 Bolt, Stanchion Locking 2422 Male	8		
NS 0377869 Nut, Stanchion Locking 2423 Female	8		

NOTE: Picture may not resemble grab handle exactly as located in entrance.



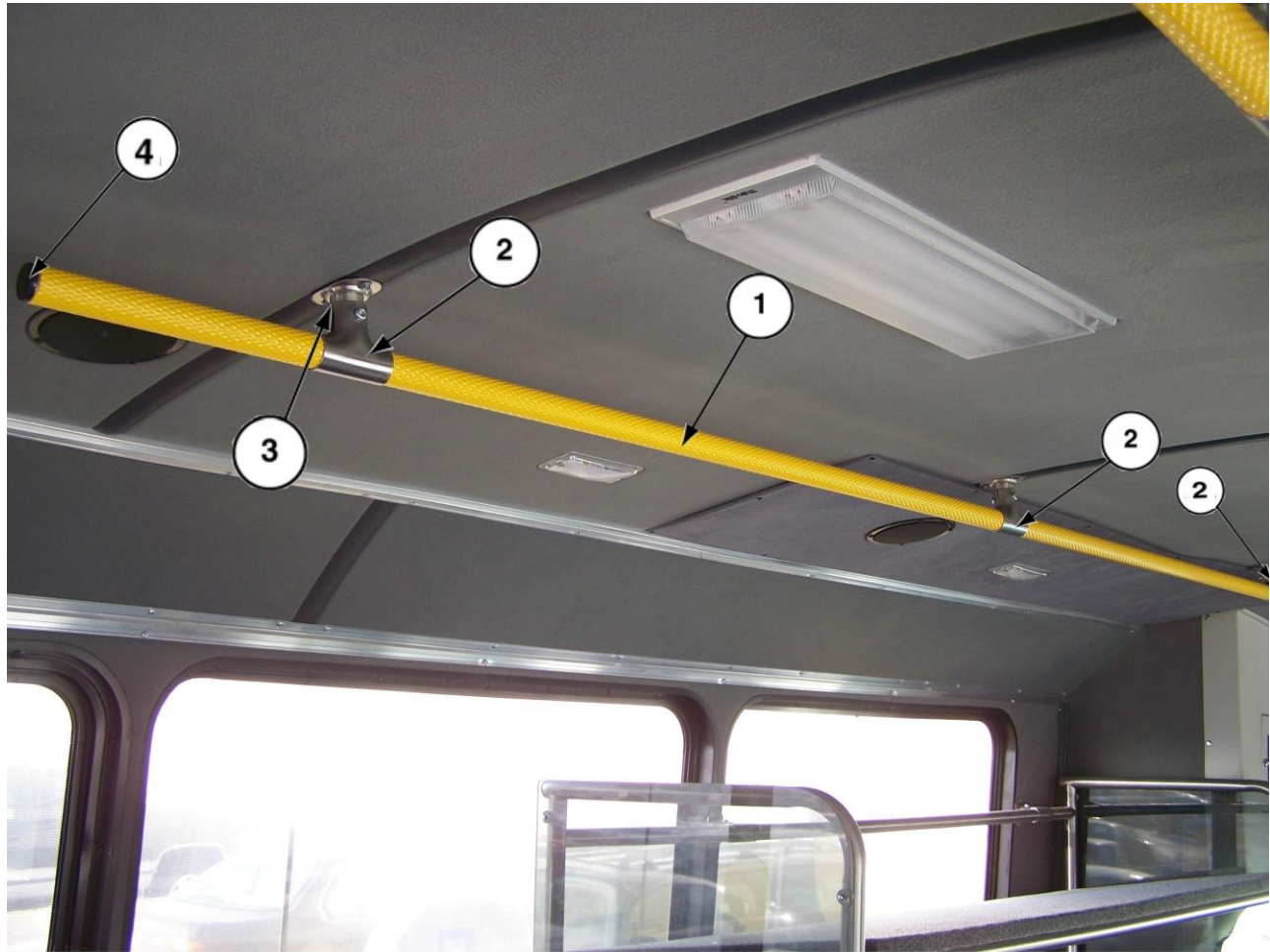
**GRAB RAIL R/H & L/H ENTRY - PACE
0416011**

<i>ITEM PART NO. DESCRIPTION</i>	<i>QTY</i>	<i>ITEM PART NO. DESCRIPTION</i>	<i>QTY</i>
1 0378364 Grabrail, RH Entry Pace AC 21	1		
0346494 Fitting, Bottom S/S	2		
0343695 Fitting, S/S Elbow W/Base	1		
0346379 Fitting, Tee S/S	3		
0346494 Tube, .065 x 1.25 x 57" Stainless	1		
2 0378609 Grabrail, LH Entry Pace AC 21	1		



Entry door grab rails-yElloW dimpled 0418231

<i>ITEM PART NO. DESCRIPTION</i>	<i>QTY</i>	<i>ITEM PART NO. DESCRIPTION</i>	<i>QTY</i>
01 0377752 Tube, Stanchion 1-1/4" Dimpled Yellow	AR		
NS 0346379 Fitting, S/S Tee One Hole #50100	1		
NS 0376030 Fitting, S/S Elbow W/Base	5		
NS 0347260 Fitting, S/S Elbow #19000	1		
NS 0377868 Bolt, Stanchion Locking 2422 Male	12		
NS 0377869 Nut, Stanchion Locking 2423 Female	12		



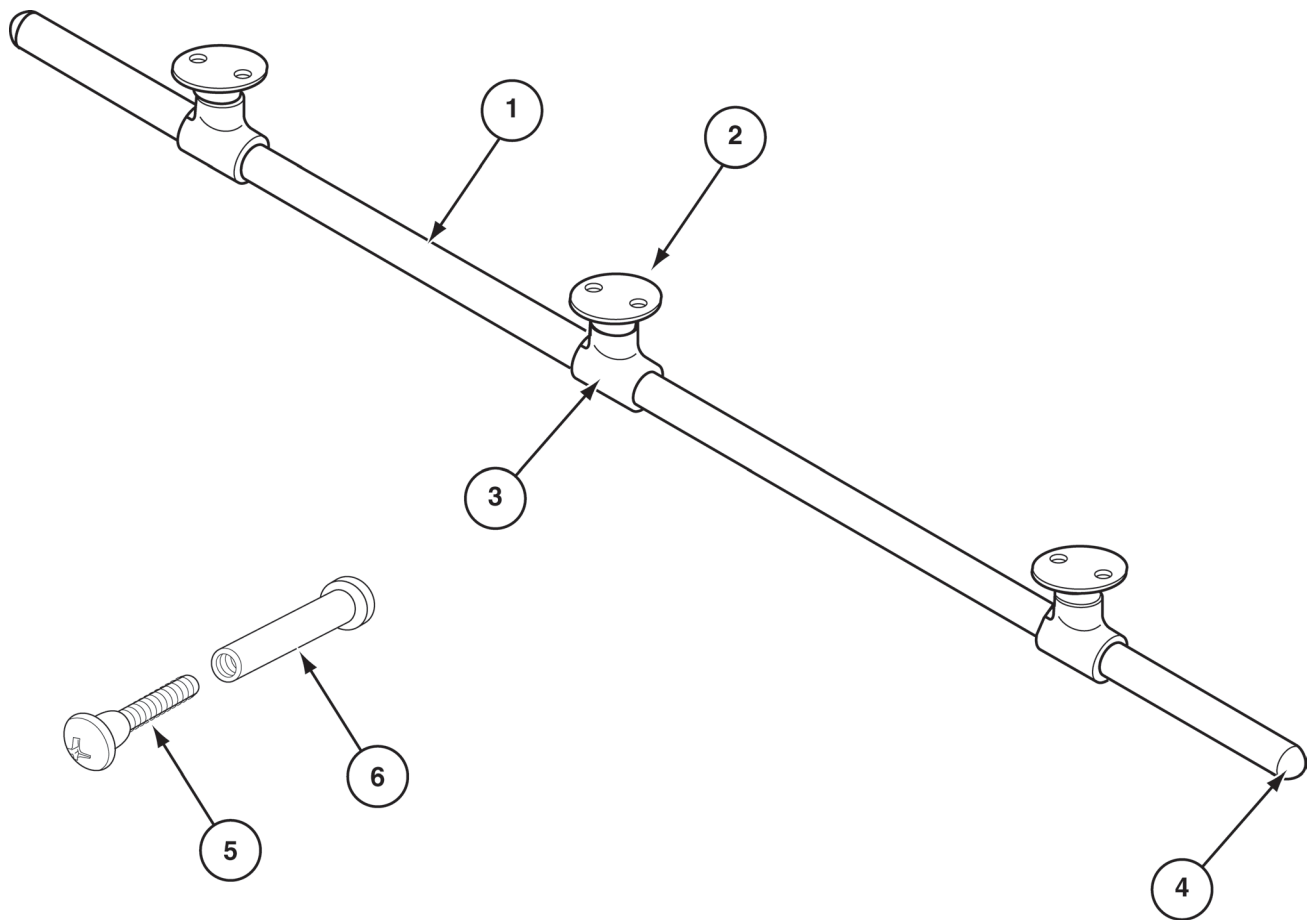
Roof hand Rails - paiR yellow dimpled ch-230-900-1826y

<i>ITEM PART NO. DESCRIPTION</i>	<i>QTY</i>	<i>ITEM PART NO. DESCRIPTION</i>	<i>QTY</i>
1 0377752 Tube, Stanchion 1-1/4" Dimpled Yel	2		
2 0346379 Fitting, S/S Tee One Hole	6		
3 0377998 Fitting, Ceiling Mount S/S	6		
04 3370882 Cap, End 1.25" Tube	4		



Roof hand Rails - yellow dimpled ch-250-900-1826y

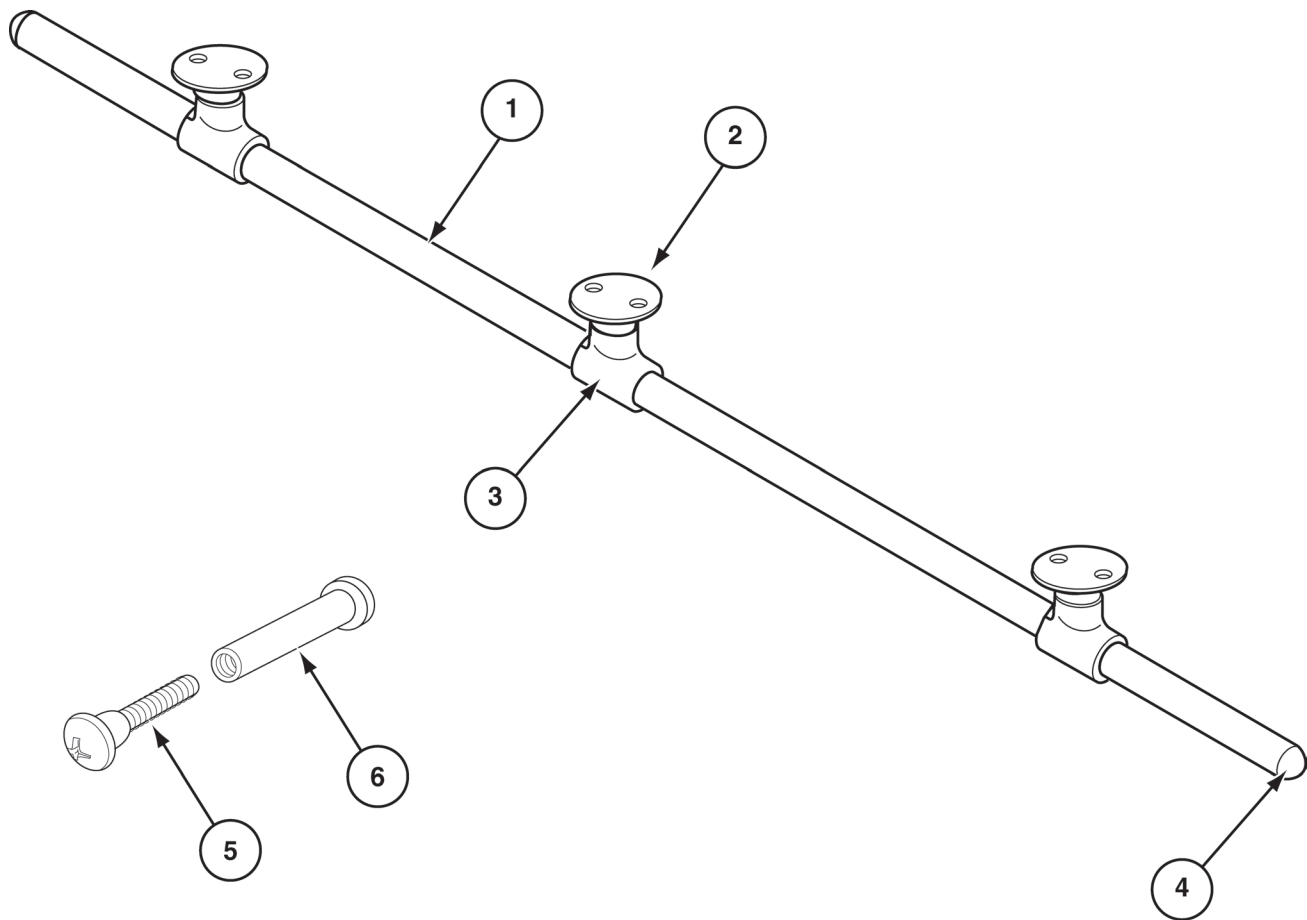
<i>ITEM PART NO. DESCRIPTION</i>	<i>QTY</i>	<i>ITEM PART NO. DESCRIPTION</i>	<i>QTY</i>
1 0377752 Tube, Stanchion 1-1/4" Dimpled Yellow	2		
2 0346379 Fitting, S/S Tee One Hole	8		
3 0346395 Fitting, S/S Ceiling Mount #21511	8		
4 3371684 Cap, End 1.25" Tube Black	4		
NS 0377869 Bolt, Stanchion Locking #2423 Female	8		
NS 0377868 Bolt, Stanchion Locking #2422 Male	8		



roof hand rails, ch 23'

ch2300071826

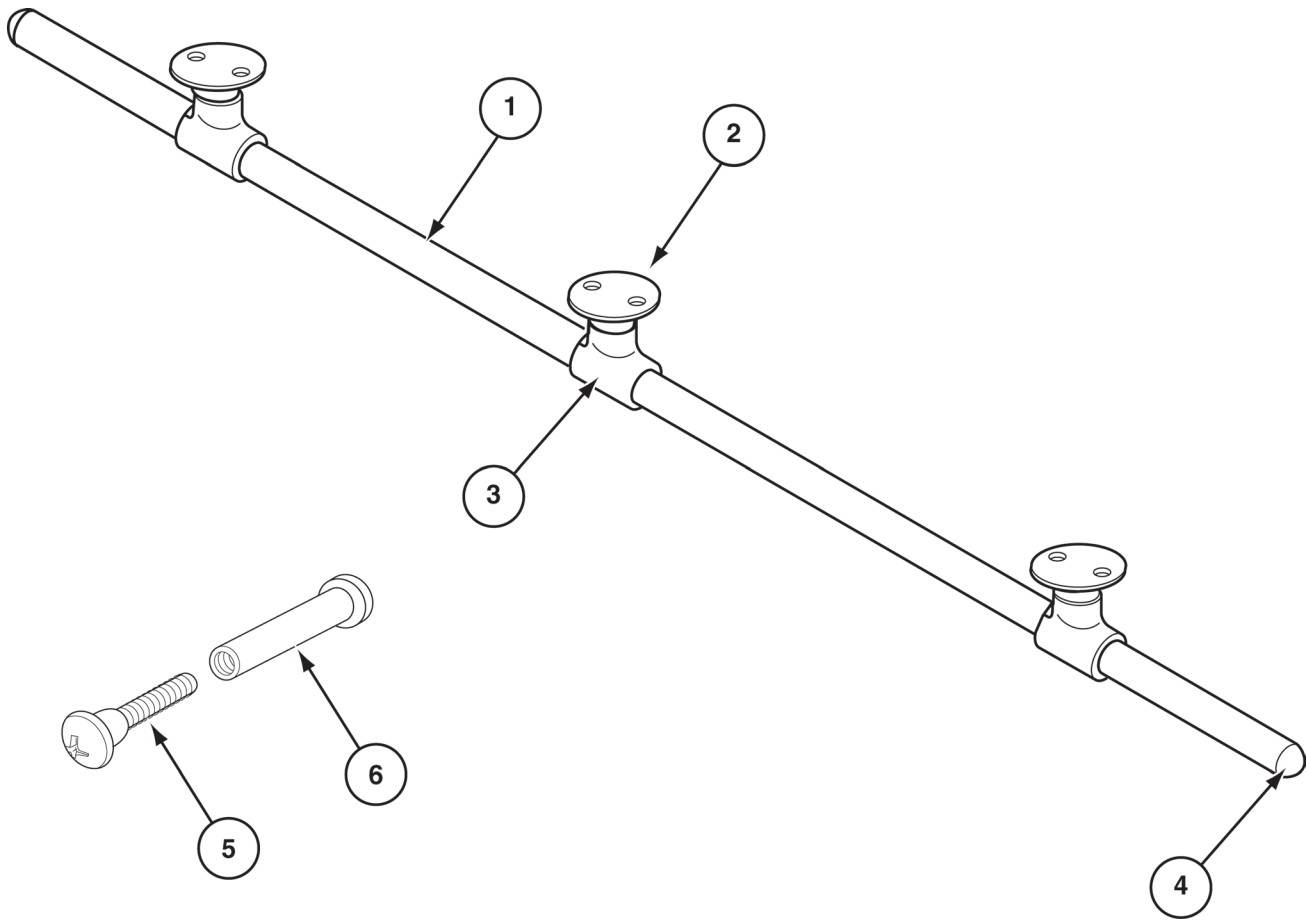
<i>ITEM PART NO. DESCRIPTION</i>	<i>QTY</i>	<i>ITEM PART NO. DESCRIPTION</i>	<i>QTY</i>
01 0346494 TUBE (.065 x 1.25 x 17' SS) 180 GRID	A/R	5 0346478 BOLT, STANCHION 1422 MALE	6
02 0346395 FITTING, S/S Ceiling Mount 21511	6	6 0346480 NUT, STANCHION 1423 FEMALE	6
03 0346379 FITTING, TEE S/S #50100	6	N/S 8570931 SCREW (8 x 1 PAN QUAD TEK CLR EMPIGU)	6
04 3371684 END CAP, TUBE (1.25") BLACK	4		



roof hand rails

ch2510071826

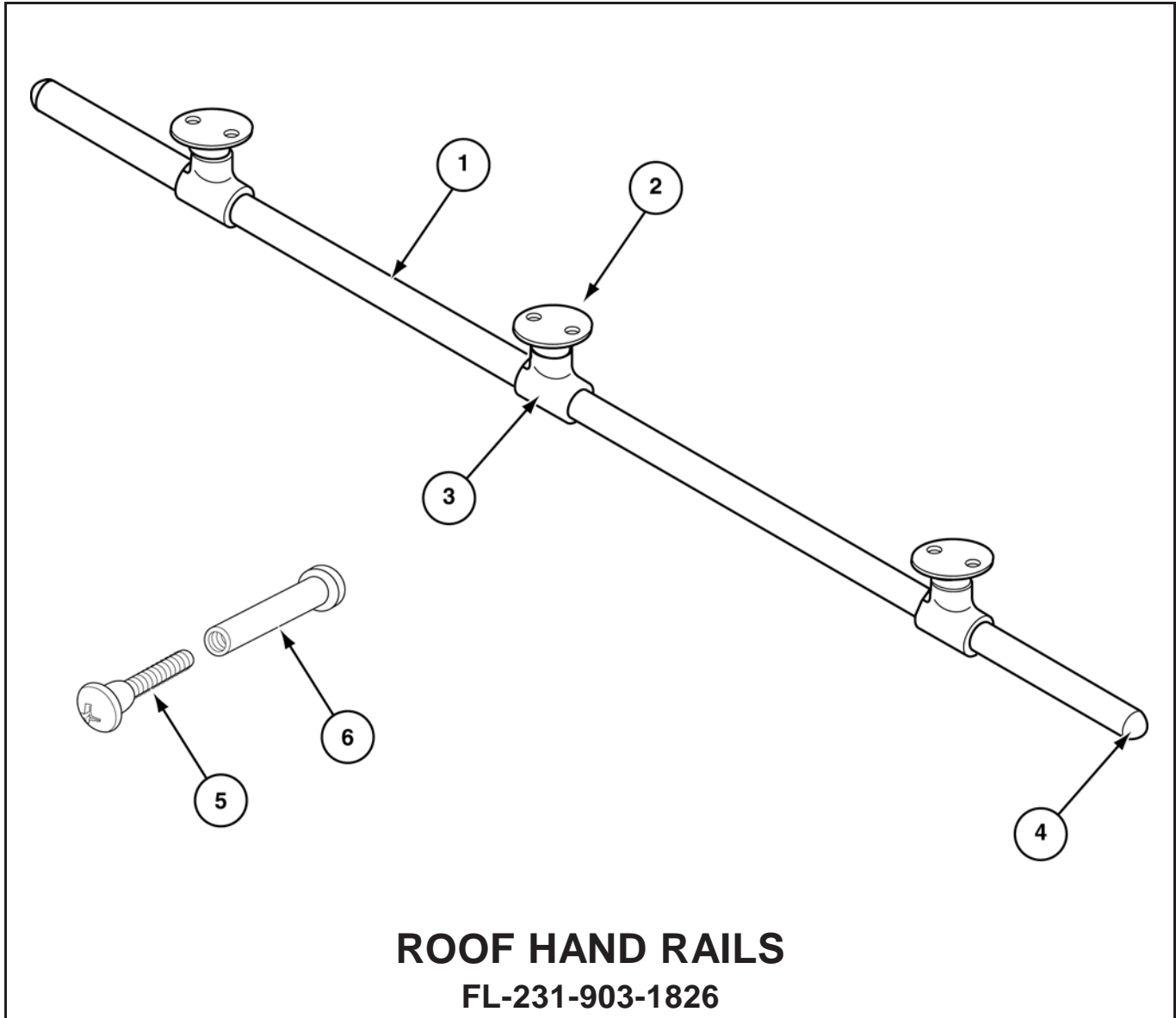
<i>ITEM PART NO. DESCRIPTION</i>	<i>QTY</i>	<i>ITEM PART NO. DESCRIPTION</i>	<i>QTY</i>
01 0346494 TUBE (.065 x 1.25 x 17' SS) 180 GRID	A/R	5 0346478 BOLT, STANCHION 1422 MALE	8
02 0346395 FITTING, S/S Ceiling Mount 21511	8	6 0346480 NUT, STANCHION 1423 FEMALE	8
03 0346379 FITTING, TEE S/S #50100	8	N/S 8570931 SCREW (8 x 1 PAN QUAD TEK CLR EMPIGU)	8
04 3371684 END CAP, TUBE (1.25") BLACK	4		



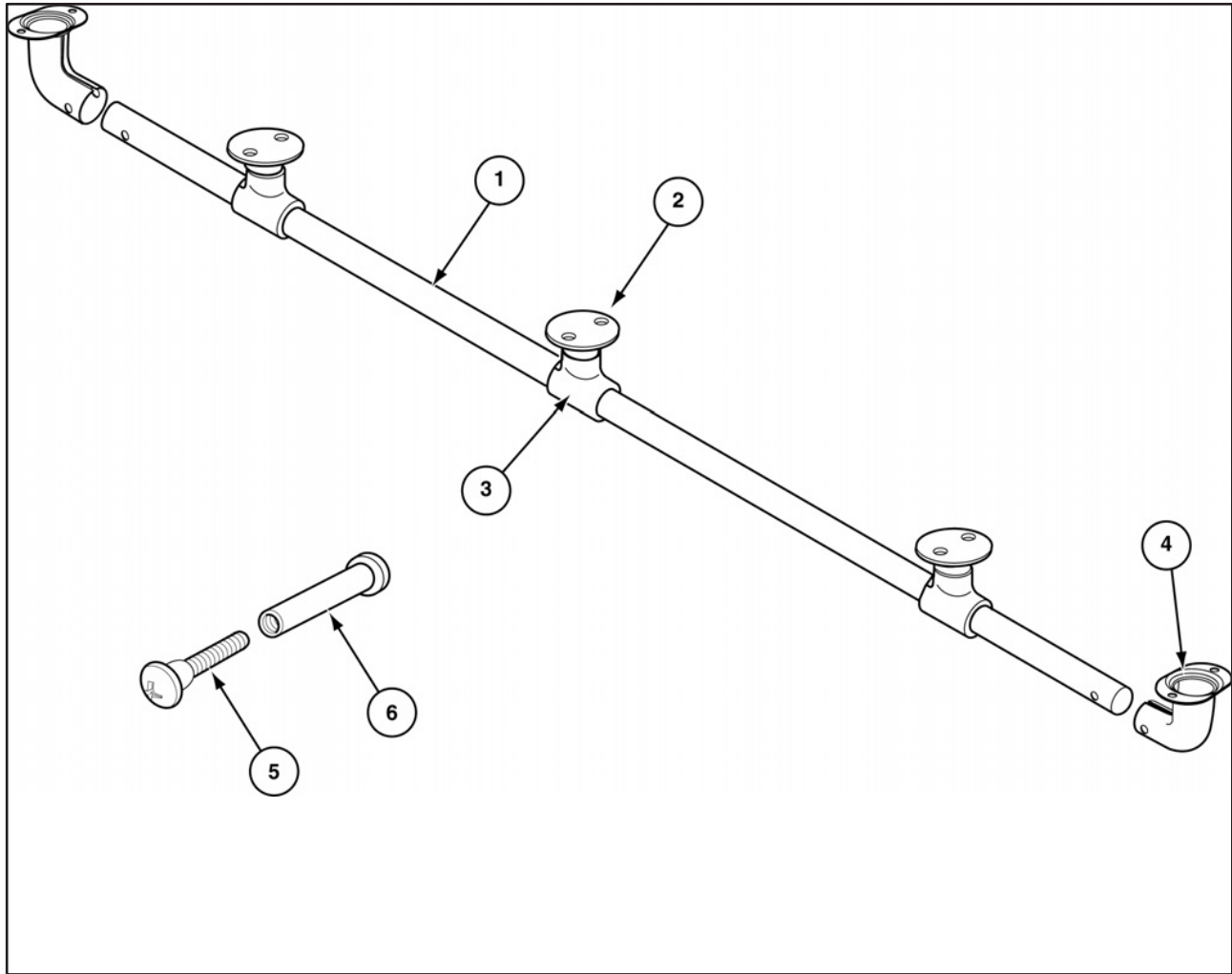
roof hand rails

ch2310071826

<i>ITEM PART NO. DESCRIPTION</i>	<i>QTY</i>	<i>ITEM PART NO. DESCRIPTION</i>	<i>QTY</i>
01 0346494 TUBE (.065 x 1.25 x 17' SS) 180 GRID	A/R	5 0346478 BOLT, STANCHION 1422 MALE	5
02 0346395 FITTING, S/S Ceiling Mount 21511	5	6 0346480 NUT, STANCHION 1423 FEMALE	5
03 0346379 FITTING, TEE S/S #50100	5	N/S 8570931 SCREW (8 x 1 PAN QUADTEK CLR EMPIGU)	5
04 3371684 END CAP, TUBE (1.25") BLACK	4		



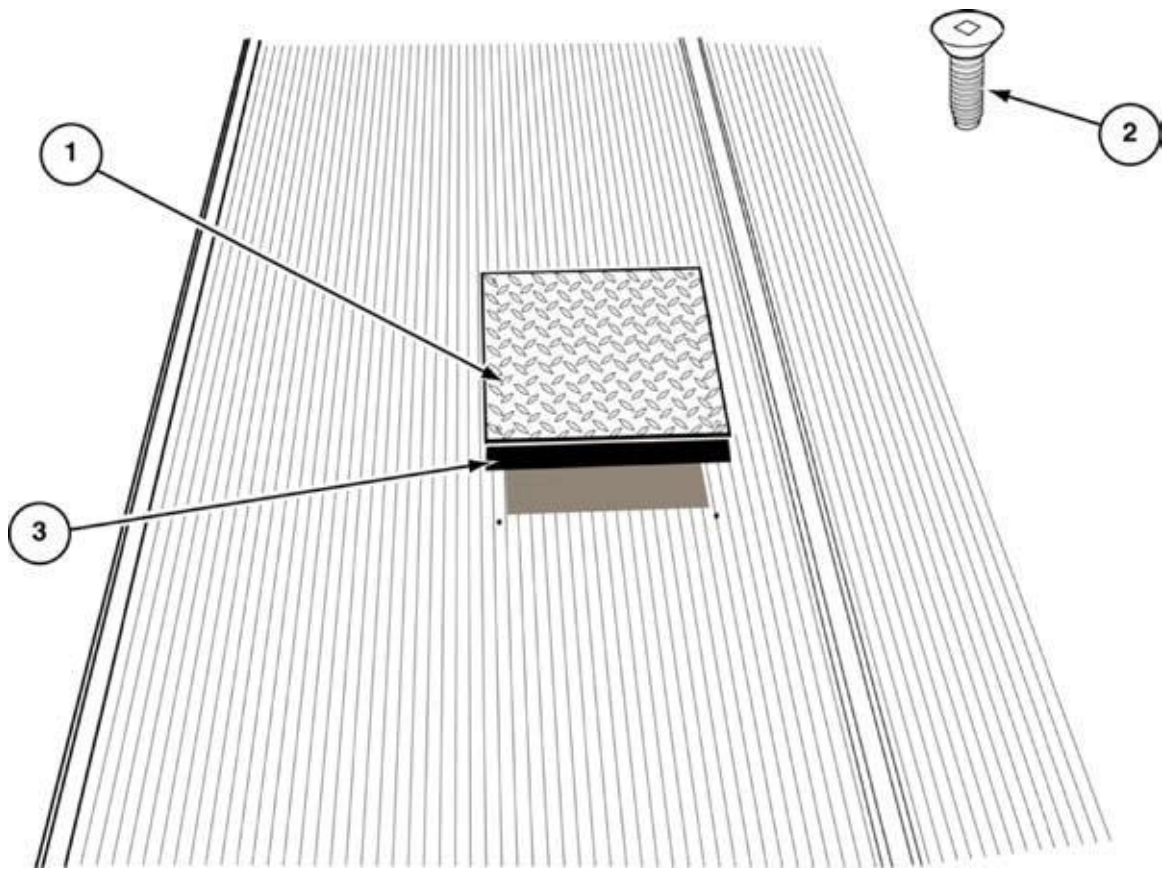
<i>ITEM</i>	<i>PARTNO.</i>	<i>DESCRIPTION</i>	<i>QTY</i>	<i>ITEM</i>	<i>PARTNO.</i>	<i>DESCRIPTION</i>	<i>QTY</i>
01	0346494	TUBE(.065x1.25x17' SS) 180GRID	A/R				
02	0346395	FITTING,BOTTOMS/S21511	11				
03	0346379	FITTING,TEES/S#50100	11				
4	3370882	ENDCAP,TUBE(1.25) LIGHT GRAY	4				
5	0346478	BOLT,STANCHION1422MALE	11				
6	0346480	NUT,STANCHION1423FEMALE	11				
NS	8570706	SCREW(10x1-1/2 PANQUADZINC)	22				
NS	3371684	ENDCAP,TUBE(BLACK)	4				



roof hand rails

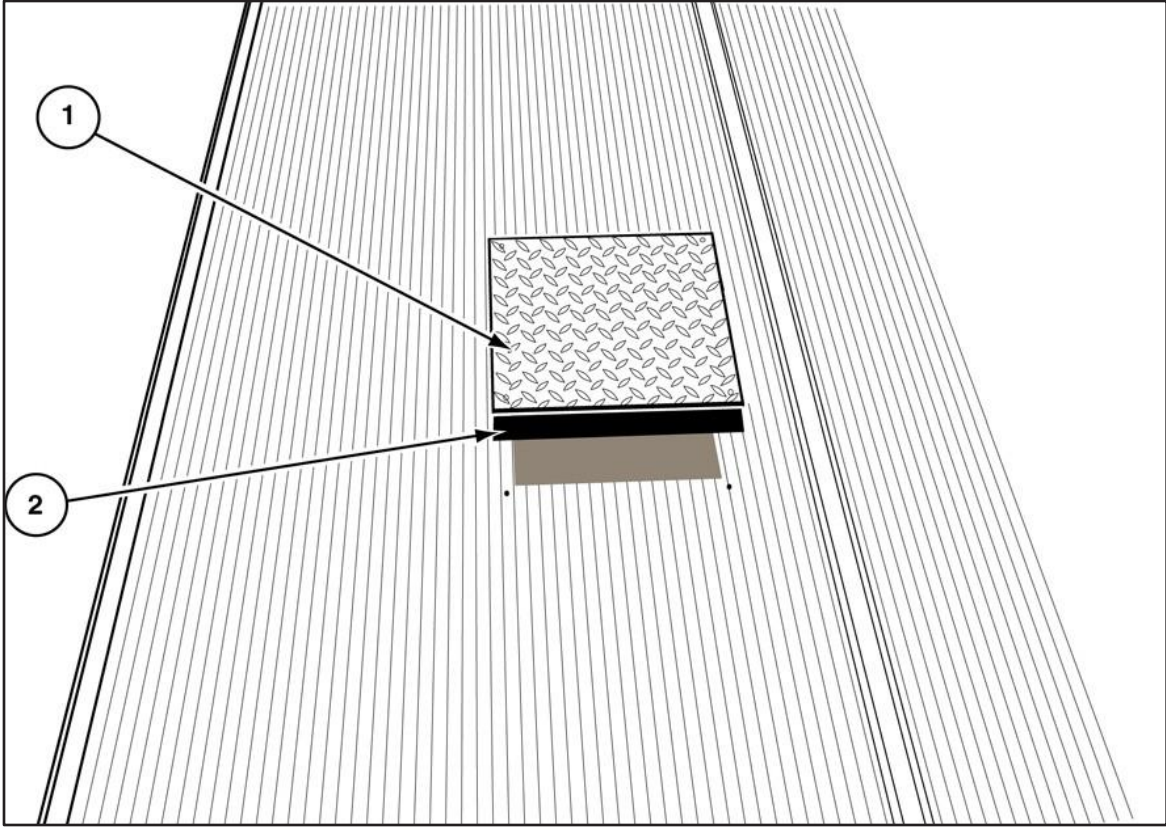
Ch-271-903-1826 (Ch271)

<i>ITEM PART NO. DESCRIPTION</i>	<i>QTY</i>	<i>ITEM PART NO. DESCRIPTION</i>	<i>QTY</i>
01 0346494 TUBE (.065 x 1.25 x 17' SS) 180 GRID	A/R	5 0346478 BOLT, STANCHION 1422 MALE	A/R
02 0377998 FITTING, S/S Ceiling Mount F-1012001	8	6 0346480 NUT, STANCHION 1423 FEMALE	A/R
03 0346379 FITTING, TEE S/S #50100	8	N/S 8570931 SCREW (8 x 1 PAN QUAD TEK CLR EMPIGU)	8
04 3371684 END CAP, TUBE (1.25") BLACK	4		



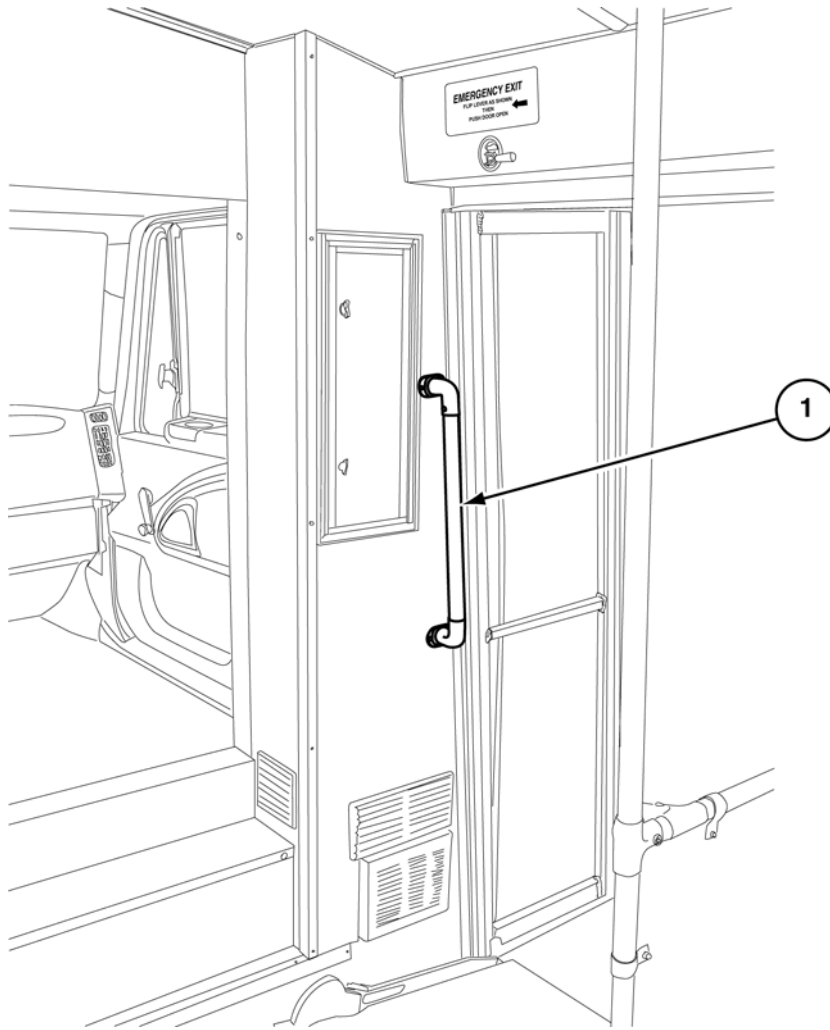
FUEL SENDING UNIT ACCESS PANEL
CH-000-900-3012 - CX0000013012

<i>ITEM</i>	<i>PART NO.</i>	<i>DESCRIPTION</i>	<i>QTY</i>	<i>ITEM</i>	<i>PART NO.</i>	<i>DESCRIPTION</i>	<i>QTY</i>
01	0372078	PLATE, DIAMOND ALUMINUM (.13 x 12 x 1)	1				
02	8570935	SCREW, (8 x 1 FLAT QDX)	4				
03	0741140	TAR-PAPER, FELT 15# (ROLL)	A/R				



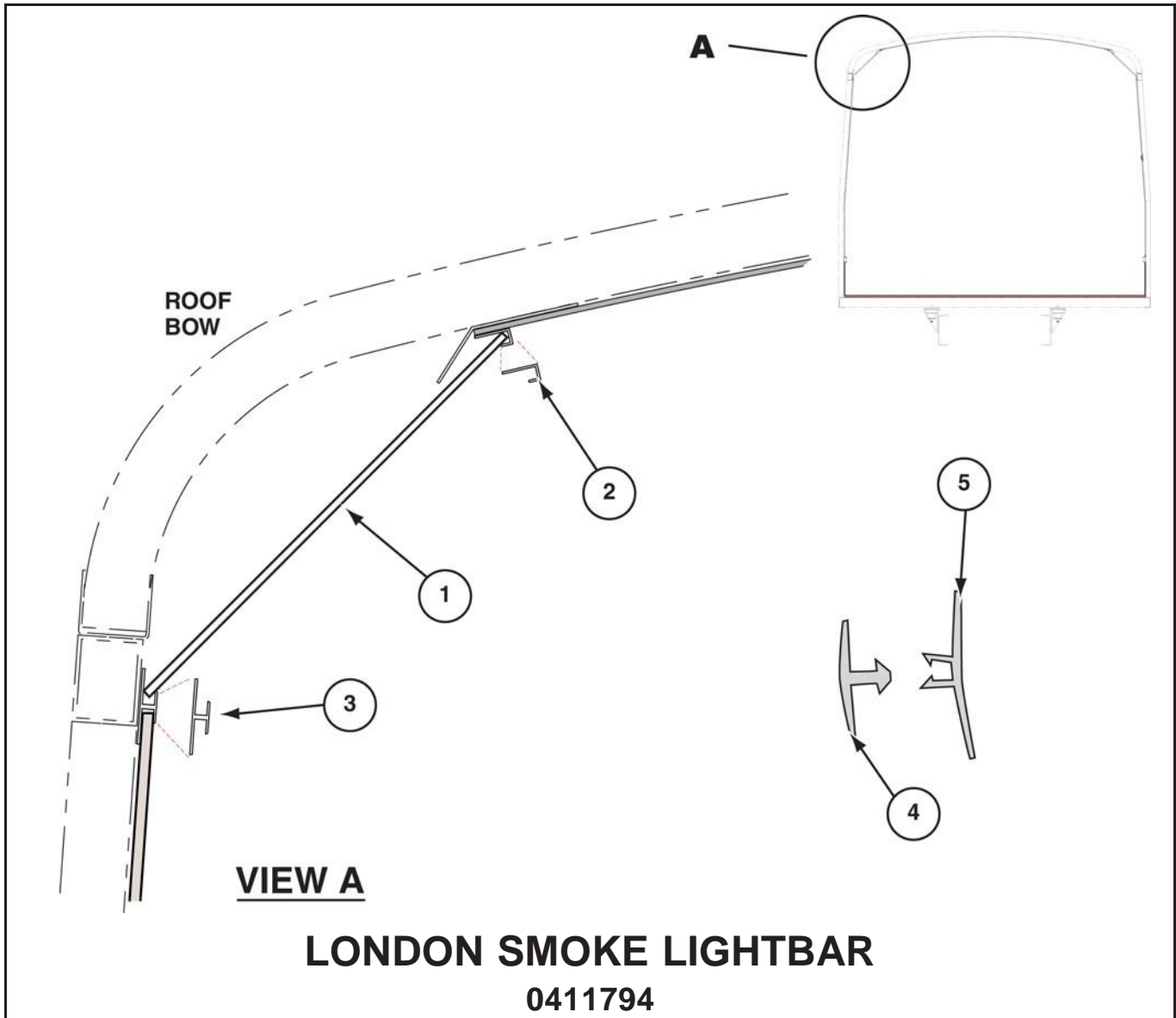
FUEL SENDING UNIT ACCESS COVER S/S 0416959

<i>ITEM PART NO. DESCRIPTION</i>	<i>QTY</i>	<i>ITEM PART NO. DESCRIPTION</i>	<i>QTY</i>
01 0378792 Cover, Fuel Sending Unit Access S/S	1		
NA 8970910 Tape, Non-Skid 12" x 60' Ocean Gray	AR		

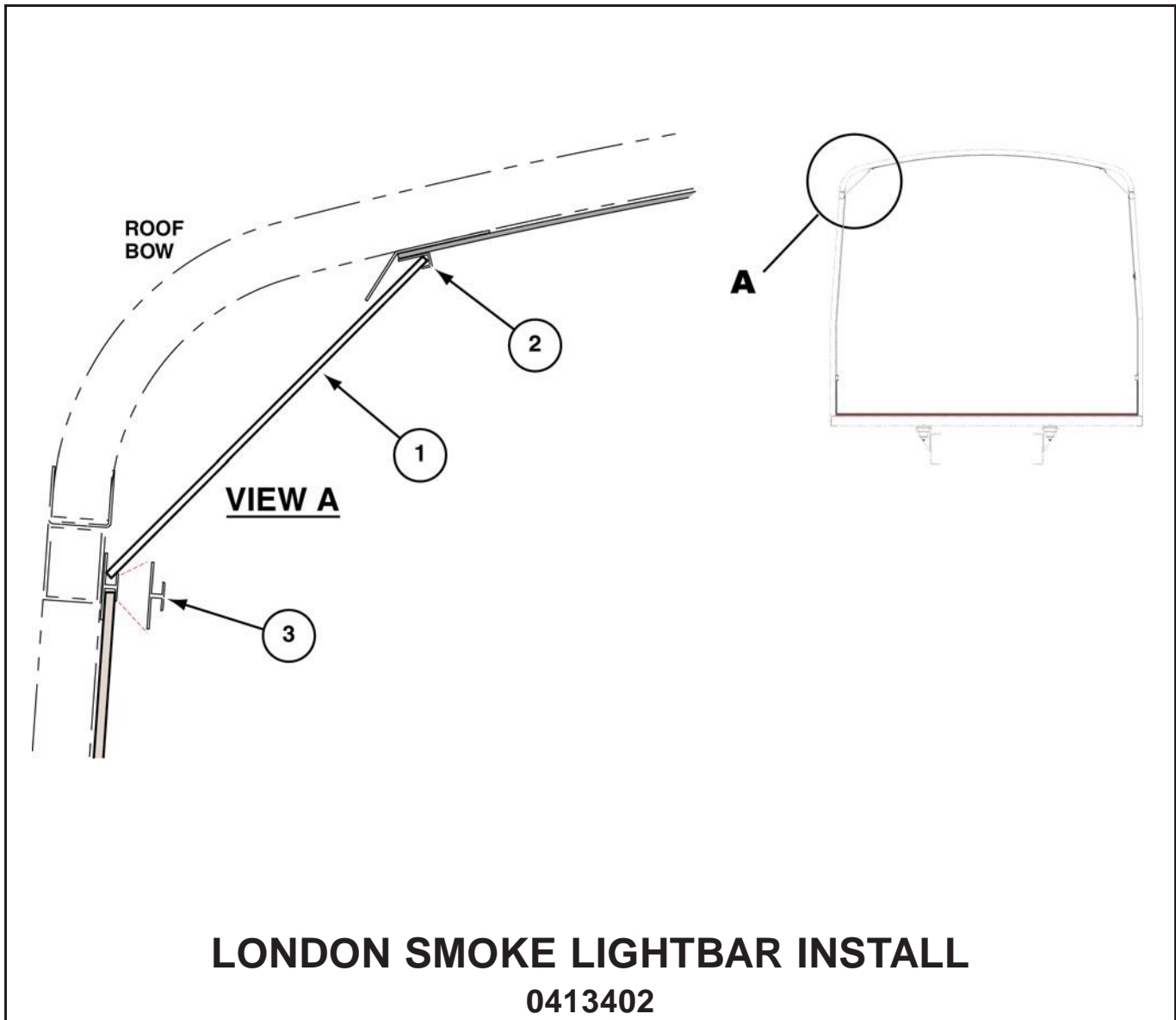


RIGHT HAND GRAB RAIL
CH-000-900-1825

<i>ITEM PART NO.</i>	<i>DESCRIPTION</i>	<i>QTY</i>	<i>ITEM PART NO.</i>	<i>DESCRIPTION</i>	<i>QTY</i>
01	0346494 TUBE (.065 x 1.25 x 17')	A/R			
	8570943 SCREW (8 x 3/4) PAN QUAD	4			
	0375089 FITTING, S/S OVAL BASE FLANGED	2			
	0346460 NUT, STANCHION	1			
	0346478 BOLT, STANCHION	1			



<i>ITEM</i>	<i>PARTNO.</i>	<i>DESCRIPTION</i>	<i>QTY</i>	<i>ITEM</i>	<i>PARTNO.</i>	<i>DESCRIPTION</i>	<i>QTY</i>
01	0970052	PANEL, LONDONSMOKE3.64x8	1				
02	4570140	CAP, END"J".193/16 #290016' MILLFINISH	2				
03	4570137	BAR, DIVIDER"1" 1/4" #203916' MILLFINISH	2				
04	3370990	BATTEN1.5x7 RN457-C-232-7 GRAY	A/R				
05	3370376	RETAINER, BATTEN8' (RN391X)	A/R				



<i>ITEM PARTNO. DESCRIPTION</i>	<i>QTY</i>	<i>ITEM PARTNO. DESCRIPTION</i>	<i>QTY</i>
01 0970052 PANEL, LONDONSMOKE (4x8)	A/R		
02 4570140 ENDCAP, "J" (16) GRAY	A/R		
03 4570137 DIVIDER, "H" BAR	2		
NS 3370990 BATTEN (1.5x7)	7		
NS 3370376 RETAINER, BATTENS	A/R		



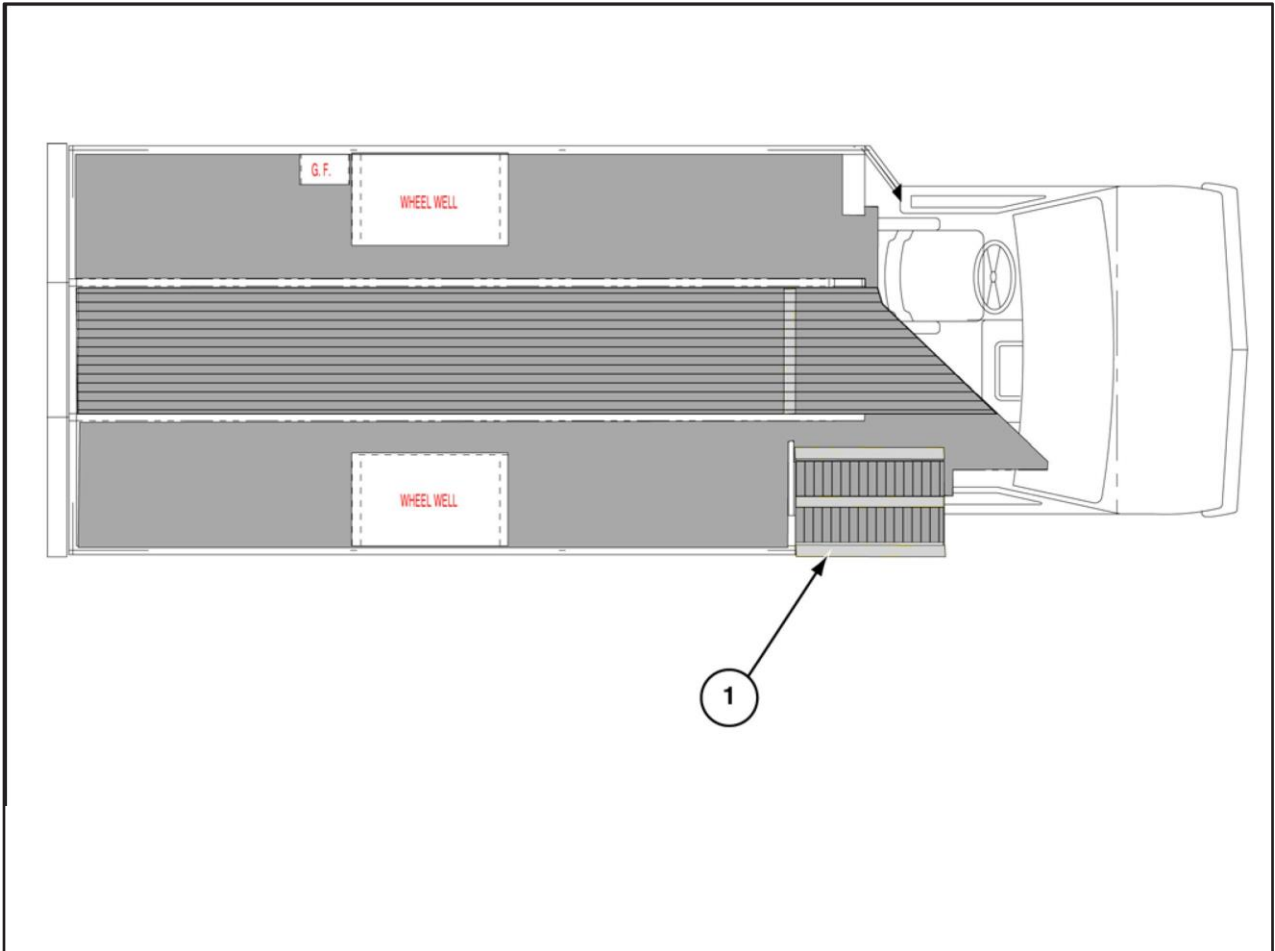
White step edge 30" door
gm-000-999-3114 / GM-000-998-3114 - 0402872

<i>ITEM PART NO. DESCRIPTION</i>	<i>QTY</i>	<i>ITEM PART NO. DESCRIPTION</i>	<i>QTY</i>
01 1570298 Edge, Step 3 x 34.25" White Rubber	1		
N/S 8570943 Screw, 8 x 3/4 Pan Quad	A/R		



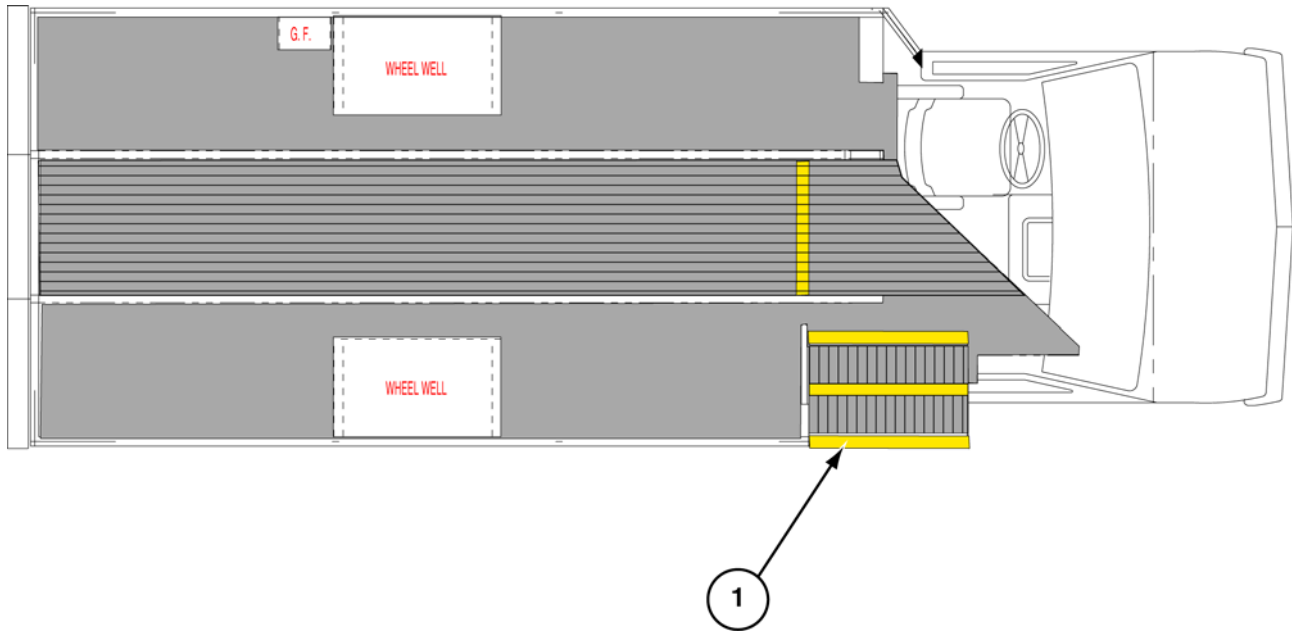
White Step edge 30" door
gM-000-999-3114 / 0402872 / cx-000-999-3114

<i>ITEM PART NO. DESCRIPTION</i>	<i>QTY</i>	<i>ITEM PART NO. DESCRIPTION</i>	<i>QTY</i>
1 1570298 Edge, Step 3.34.25" White Rubber	3		
2 8570943 Screw, 8x3/4 Pan Quad T2 EMPGD	A/R		



White Step edge 40" door
CX-000-900-3116, 0402873

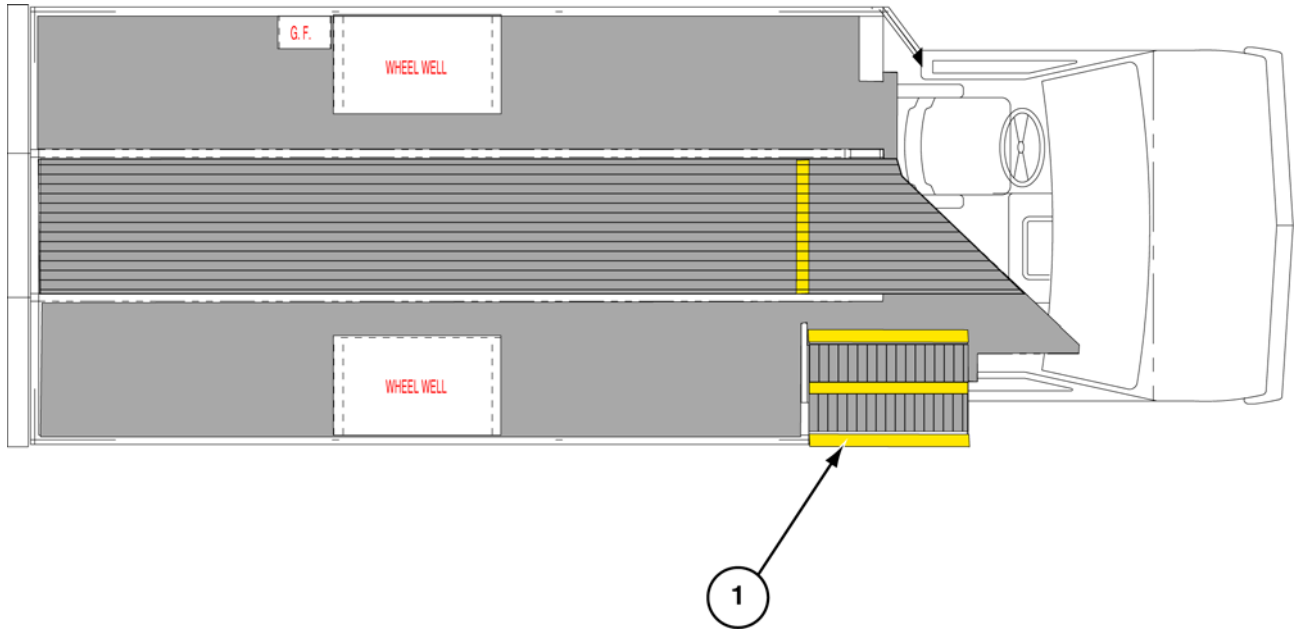
<i>ITEM PART NO. DESCRIPTION</i>	<i>QTY</i>	<i>ITEM PART NO. DESCRIPTION</i>	<i>QTY</i>
01 1570362 Edge, Step .19 x 3" x 44" White	1		
NS 8570943 Screw, 8 x 3/4 Pan Quad T2 Empgd AR	AR		



YELLOW STEP EDGE (30" DOOR)

GM-000-905-3115 / 0402876

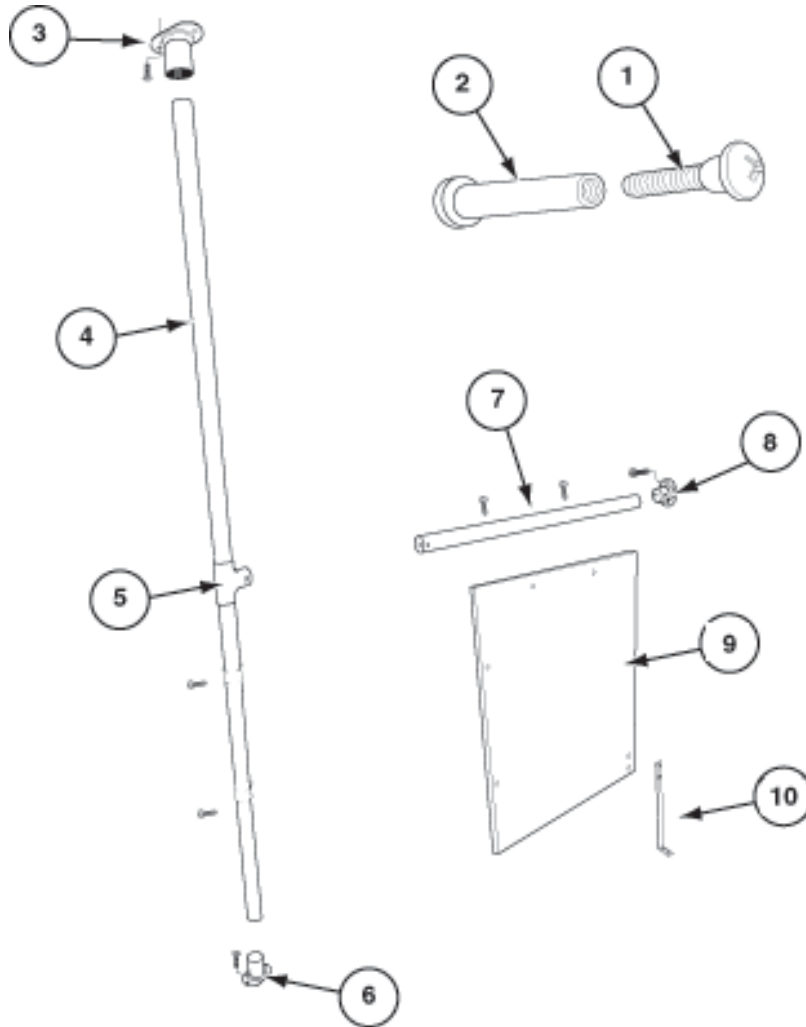
<i>ITEM</i>	<i>PART NO.</i>	<i>DESCRIPTION</i>	<i>QTY</i>	<i>ITEM</i>	<i>PART NO.</i>	<i>DESCRIPTION</i>	<i>QTY</i>
01	1570294	EDGE, STEP (3 x 34.25") YELLOW RUBBER	5				
	8570943	SCREW (8 x 3/4) PAN QUAD T2 EMPGD CLEAR	8				



YELLOW STEP EDGE (30" DOOR)

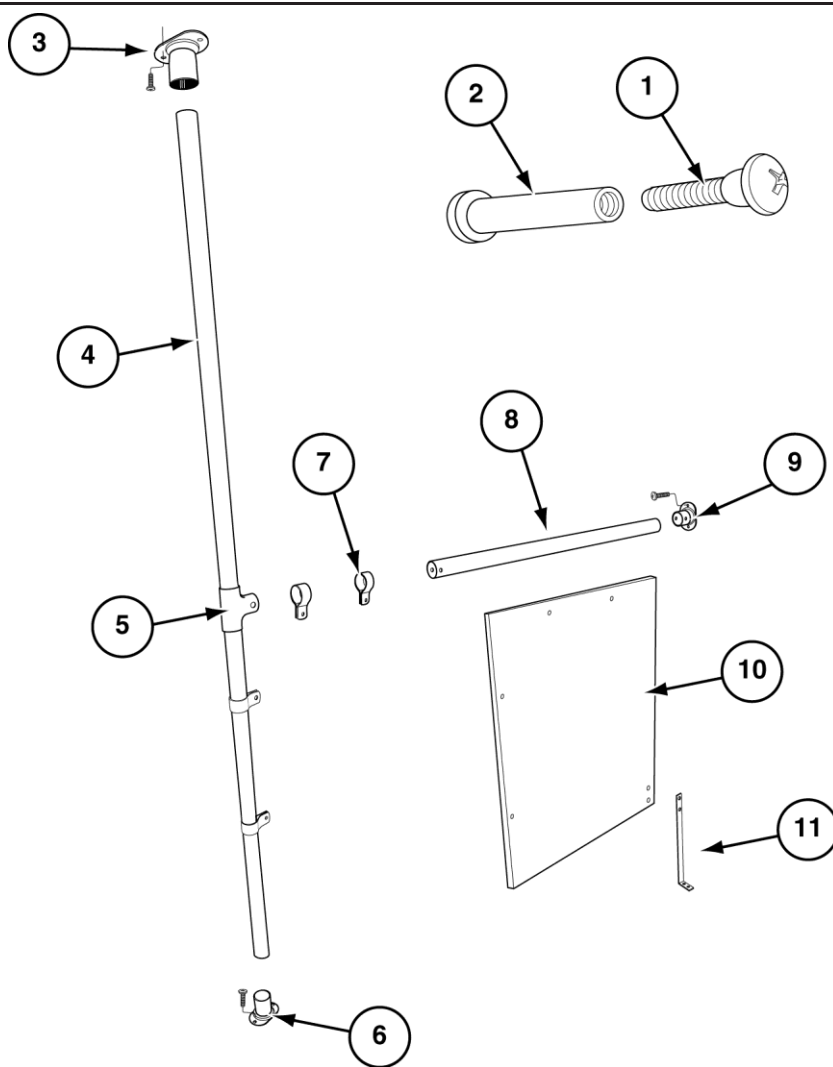
CX-000-900-3115

<i>ITEM</i>	<i>PART NO.</i>	<i>DESCRIPTION</i>	<i>QTY</i>	<i>ITEM</i>	<i>PART NO.</i>	<i>DESCRIPTION</i>	<i>QTY</i>
01	1540848	EDGE,STEP STEEL .19 X 3 X 34.0 YELLOW	3				



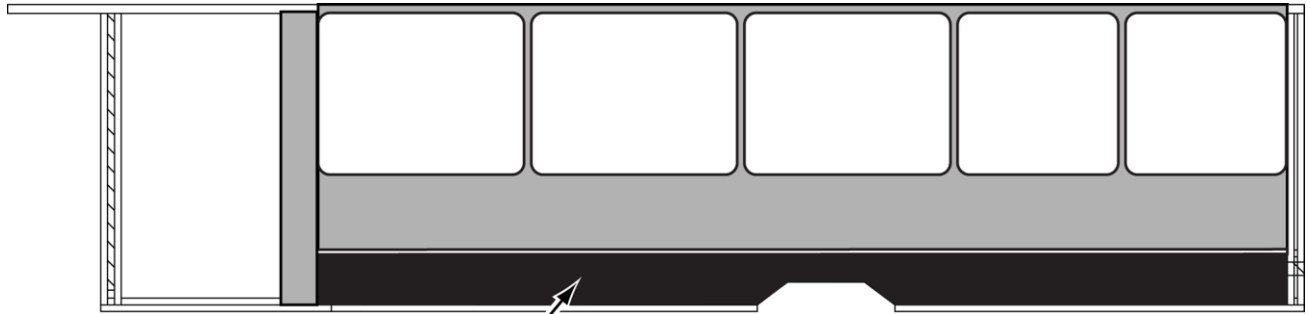
Stanchion, entry door 0409483-reva

<i>ITEM PART NO. DESCRIPTION</i>	<i>QTY</i>	<i>ITEM PART NO. DESCRIPTION</i>	<i>QTY</i>
0409483 Stanchion, Entry Door ABS 2002 All North			
1	5	0377868 Bolt, Stanchion Locking 2422 Male	5
2	5	0377869 Nut, Stachion Locking 2423 Female	5
3	1	0377112 Fitting, S/S Base 5 Degree	1
04	A/R	0346494 Tube, .065 x 1.25	A/R
05	2	0346379 Fitting, S/S Tee #50100	2
06	2	0343695 Fitting, S/S Bottom	2
07	A/R	0346494 Tube, .065 x 1.25	A/R
8	1	0376089 Fitting, S/S Oval Base Flange	1
9	1	0402664 Panel, Modesty 24 x 24.25 Padded	1
10	1	0377098 Bracket, Modesty Panel Support	1



ENTRY DOOR STANCHION W/ ABS REINFORCEMENT 0416072

ITEM	PART NO.	DESCRIPTION	QTY	ITEM	PART NO.	DESCRIPTION	QTY
0416663 STANCHION, ENTRY DOOR W/ABS				0412639 BRACKET, MODESTY PANEL SUPPORT			
1	0377868	BOLT, STANCHION LOCKING 1422 MALE	5	N/S	8571085	NUT, HEX 10-32 ACORN LOCK S/S	5
2	0377869	NUT, STANCHION LOCKING 1423 FEMALE	5	11	4540241	BAR, ALUMINUM .125 X 1" X 10'	AR
3	0377112	FITTING, S/S BASE 5 DEGREE W/RUBBER	1				
4	0346494	TUBE, .065 x 1.25 x 236" S/S/180 GRID	1				
5	0346379	FITTING, S/S TEE #50100 ONE HOLE	2				
6	0343695	FITTING, S/S BOTTOM 49011	2				
7	0377051	FITTING, S/S MODESTY PANEL MOUNT	3				
8	0346494	TUBE, .065 X 1.25 X 17' S/S 180GRID	A/R				
9	0376089	FITTING, S/S OVAL BASE FLANGE	1				
10	3371415	PANEL, MODESTY 1/4 x 13 x 24 ABS GRAY	1				
N/S	8570996	SCREW, MACHINE 10-32 x 1/2 PHIL PAN ZINC	5				



1

NOTE:
 WHEN ORDERING REPLACEMENT KICK
 PANEL, KNOW THE LENGTH YOU NEED
 BEFORE PLACING ORDER.
 PART NUMBER IS A 250' ROLL.

ROADSIDE SHOWN
 CURBSIDE SIMILAR

black pebble fiberglass panel

0410360 / 0410361 / 0410362 / 0410363 / 0410359

ITEM PART NO.	DESCRIPTION	QTY	ITEM PART NO.	DESCRIPTION	QTY
01	3371381 PANEL, BLACK PEBBLE FIBERGLASS	A/R			



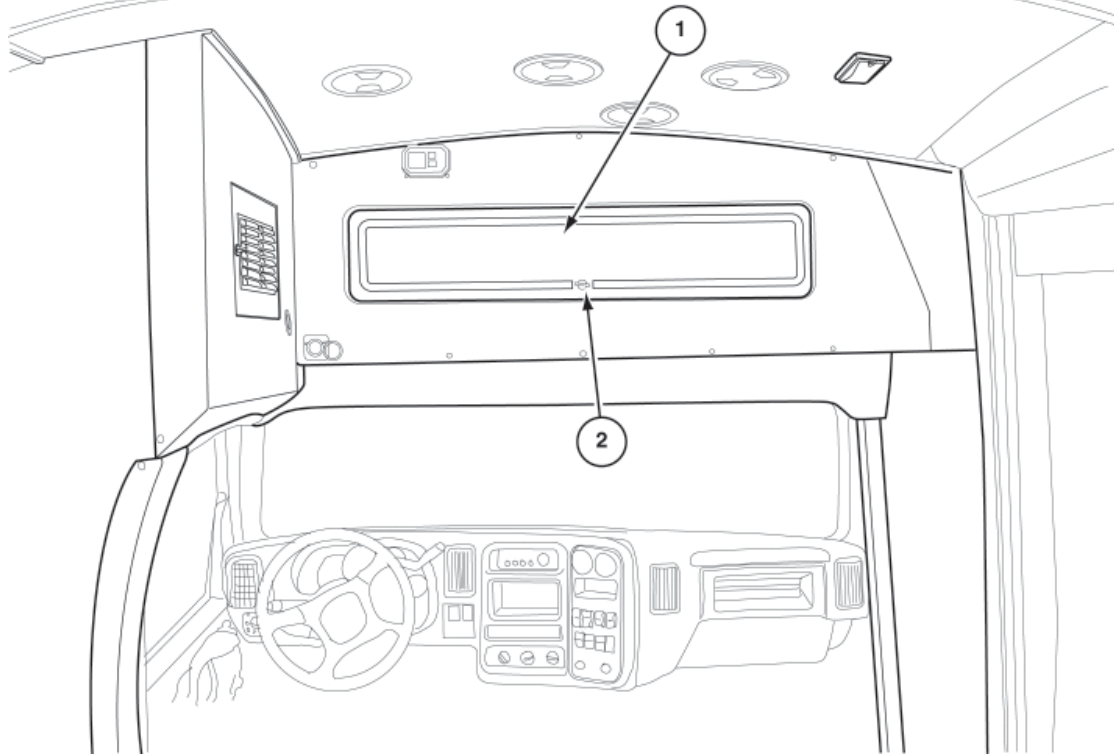
6" x 16" interior mirror assembly
Cx0000072809 / CX-000-900-2809

<i>ITEM PART NO. DESCRIPTION</i>	<i>QTY</i>	<i>ITEM PART NO. DESCRIPTION</i>	<i>QTY</i>
01 6140479 MIRROR,INSTERIOR (6 x 16)	1		
02 6170102 STRAP,MOUNTING (4.5 x 14 x 4.5)	1		
N/S 8570706 SCREW (10 x 1-1/2 PAN QUAD ZINC)	5		



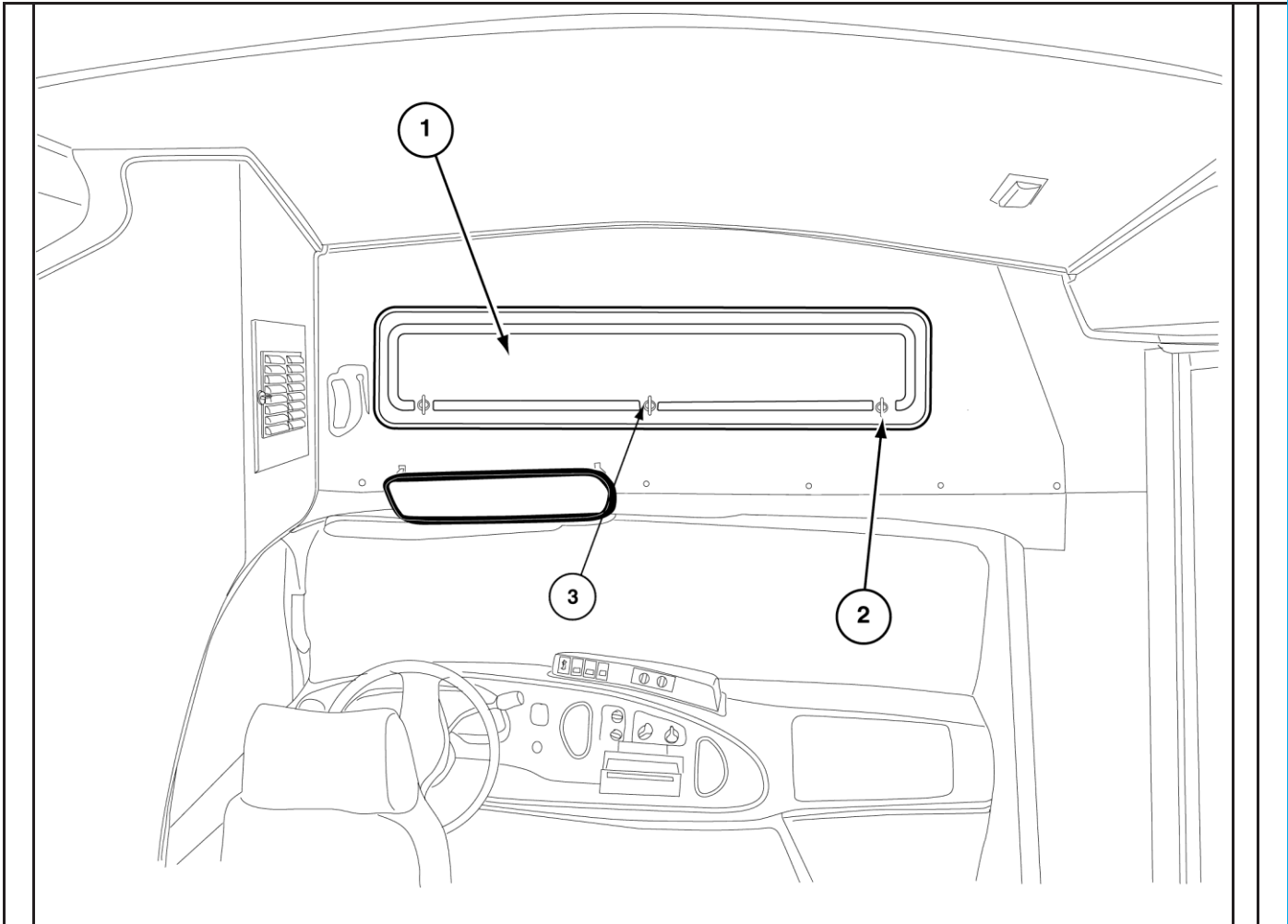
INTERIOR MIRROR (BLACK)
0411749

<i>ITEM PART NO. DESCRIPTION</i>	<i>QTY</i>	<i>ITEM PART NO. DESCRIPTION</i>	<i>QTY</i>
01 6170345 MIRROR, INTERIOR (BLACK) F-DOT	1		



FRONT GLOVE BOX LOCKING
CH-000-900-0703L / CR-000-900-0703L

<i>ITEM PART NO. DESCRIPTION</i>	<i>QTY</i>	<i>ITEM PART NO. DESCRIPTION</i>	<i>QTY</i>
1 3370939 DOOR, DESTINATION CHALLENGER	1		
2 5340393 LOCK, KEYED ASSEMBLY	1		



front glove box - locking
 ch0000080008 / 0403577 / 0403576

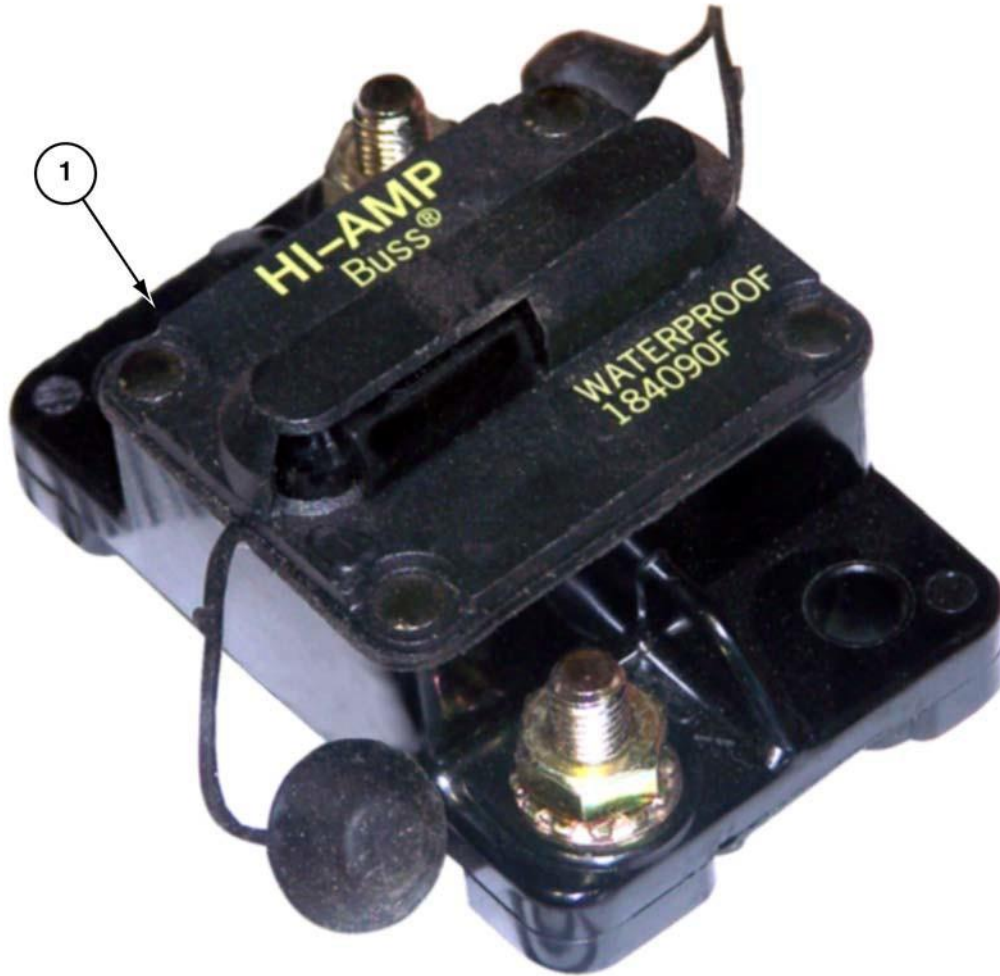
<i>ITEM PART NO. DESCRIPTION</i>	<i>QTY</i>	<i>ITEM PART NO. DESCRIPTION</i>	<i>QTY</i>
0403577 INSTALL, DEST SIGN DOOR - LOCKING		0403576 INSTALL, FRONT GLOVE BOX	
1 3370939 DOOR, DESTINATION SIGN	1	03 5340393 LOCK, KEYED ASSEMBLY	1
N/S 3370798 GUARD, DOOR EDGE	A/R	N/S 8570768 SCREW, (8 x 1½) PAN QUAD BLACK OXIDE	6
N/S 4970476 HINGE, CONCEALED	3		
2 4941520 THUMB-LOCK, COMPLETE	3		
3 5340393 LOCK, KEYED ASSEMBLY	1		
N/S 8570668 SPUR-WASHER (1-1/8")	3		
N/S 0375567 PLATE, CONCEALED HINGE BACKING	3		
N/S 8570756 SCREW (6 x 3/8) PAN QUAD BLACK OXIDE	6		



CHAMPION
BUS, INC.
Thor Industries Commercial Bus Division

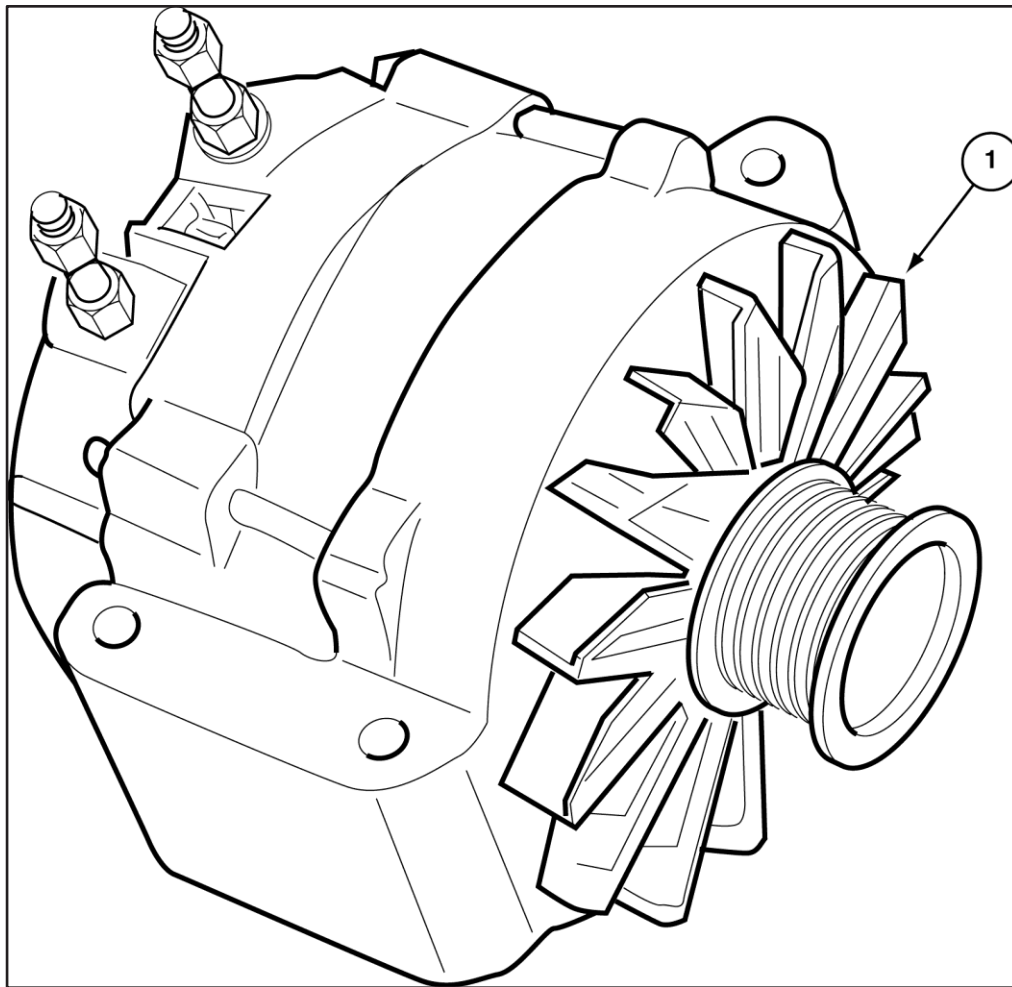
SECTION 4:

EIECTrICal



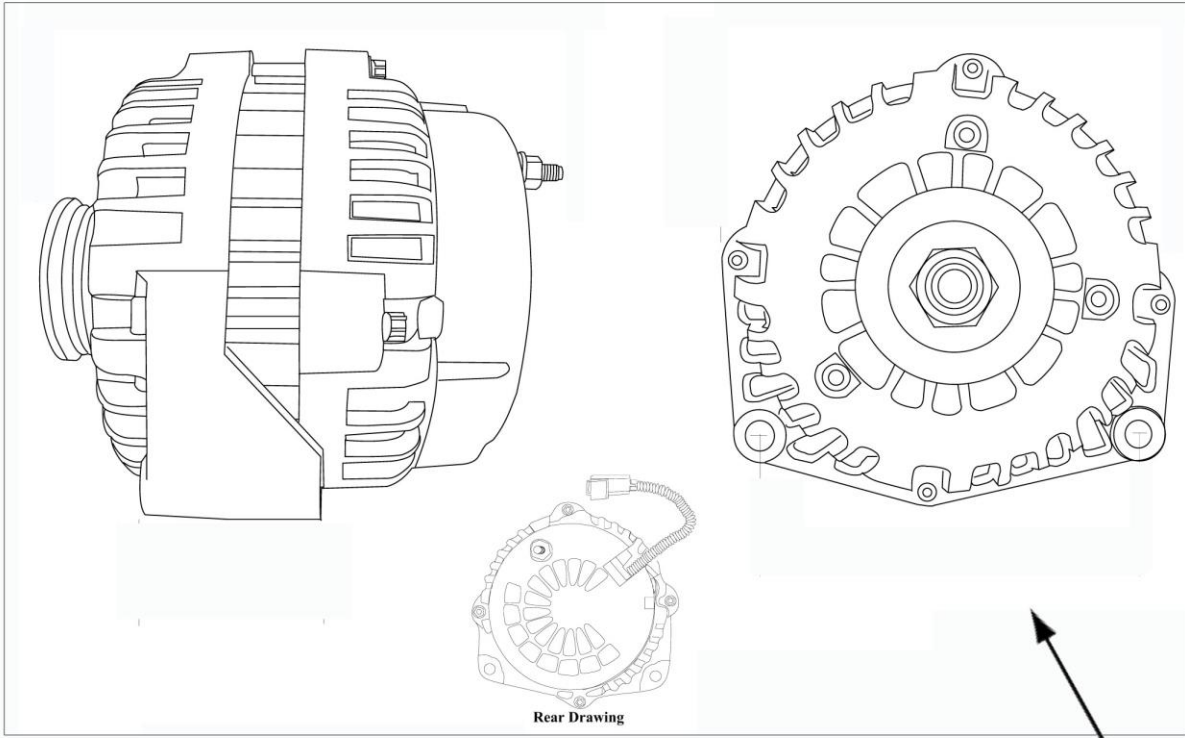
BREAKER 90 AMP
0413797-3971807

<i>ITEM PART NO. DESCRIPTION</i>	<i>QTY</i>	<i>ITEM PART NO. DESCRIPTION</i>	<i>QTY</i>
01 3971807 BREAKER, 90 AMP MAIN RICON	1		



alternator, ForD GaS
CH000FP20083

<i>ITEM PART NO. DESCRIPTION</i>	<i>QTY</i>	<i>ITEM PART NO. DESCRIPTION</i>	<i>QTY</i>
01 3972129 Alternator, PX520R HO FORD V-10	1		

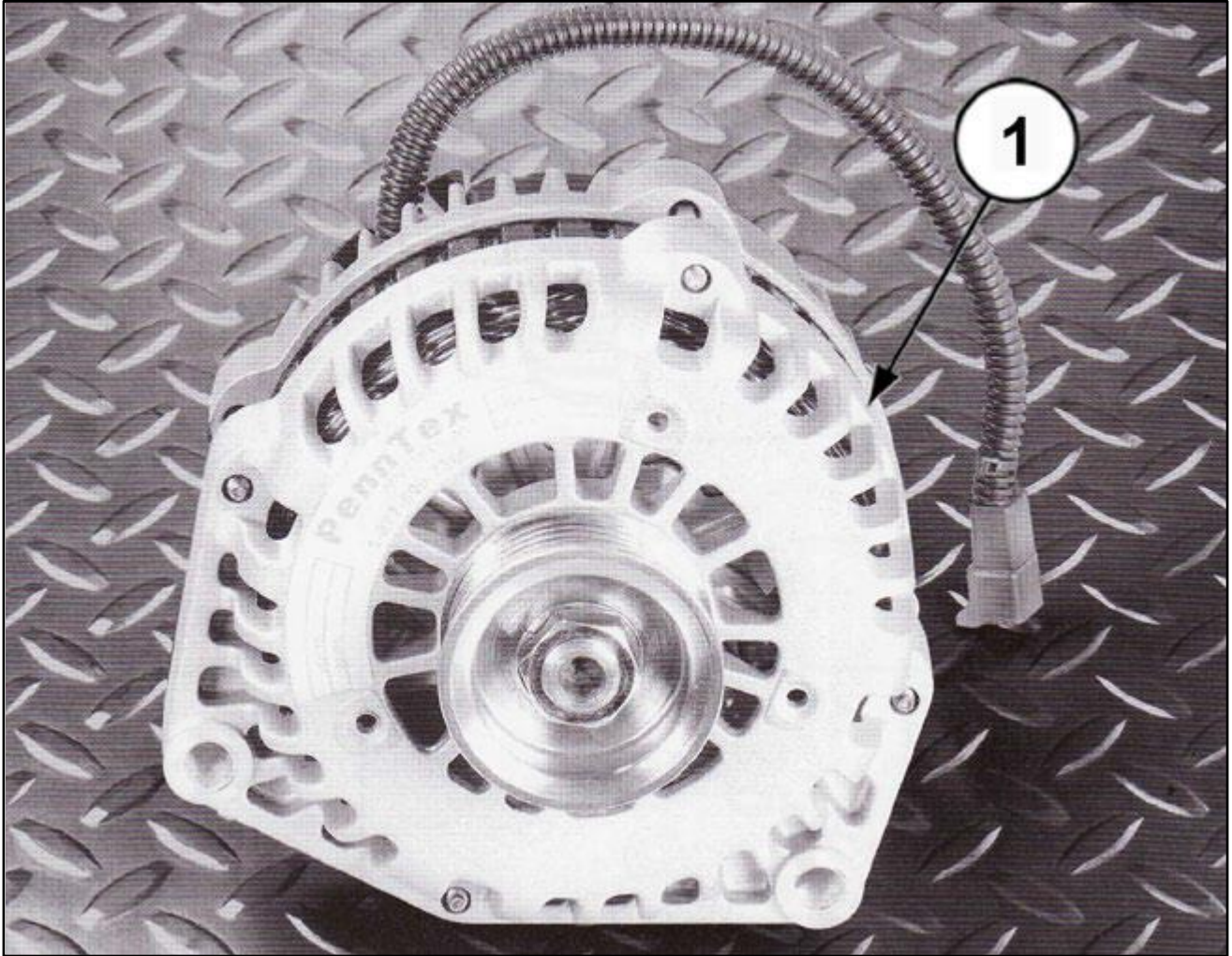


PX-422V

1

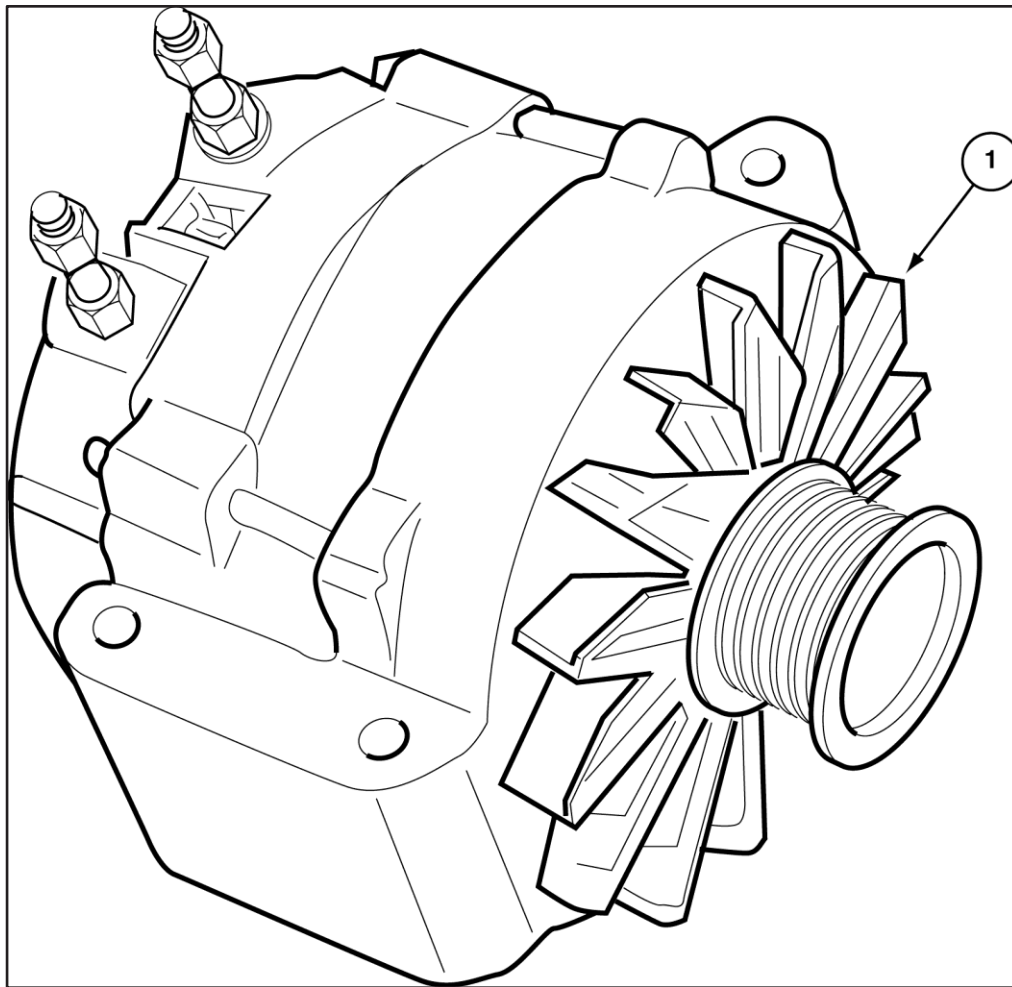
**alternator, 220 penntex gmt560/610
0415424**

<i>ITEM PART NO. DESCRIPTION</i>	<i>QTY</i>	<i>ITEM PART NO. DESCRIPTION</i>	<i>QTY</i>
01 3973832 Alternator, 220 Penntex GMT	1		



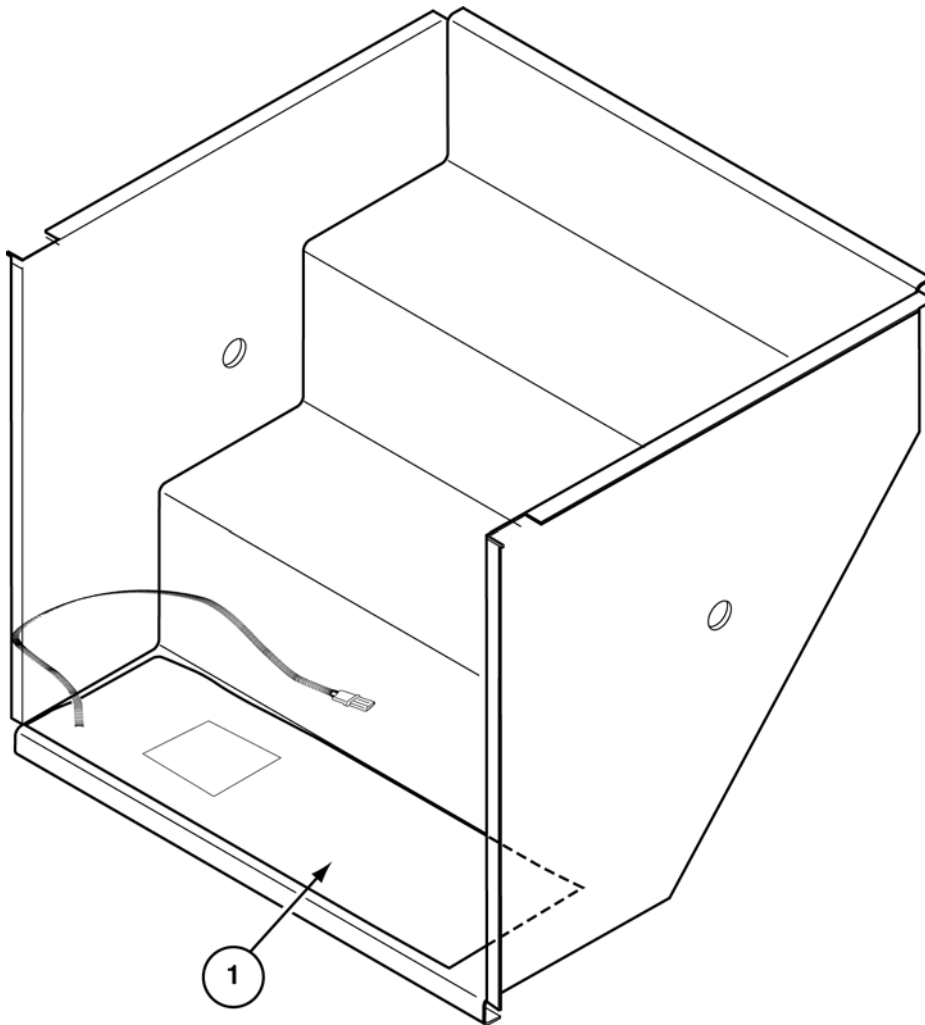
**penntex alternator 422-v4
0419564**

<i>ITEM</i>	<i>PART NO.</i>	<i>DESCRIPTION</i>	<i>QTY</i>	<i>ITEM</i>	<i>PART NO.</i>	<i>DESCRIPTION</i>	<i>QTY</i>
01	3975428	Alternator, GMT-610 2010 Emiss	1				



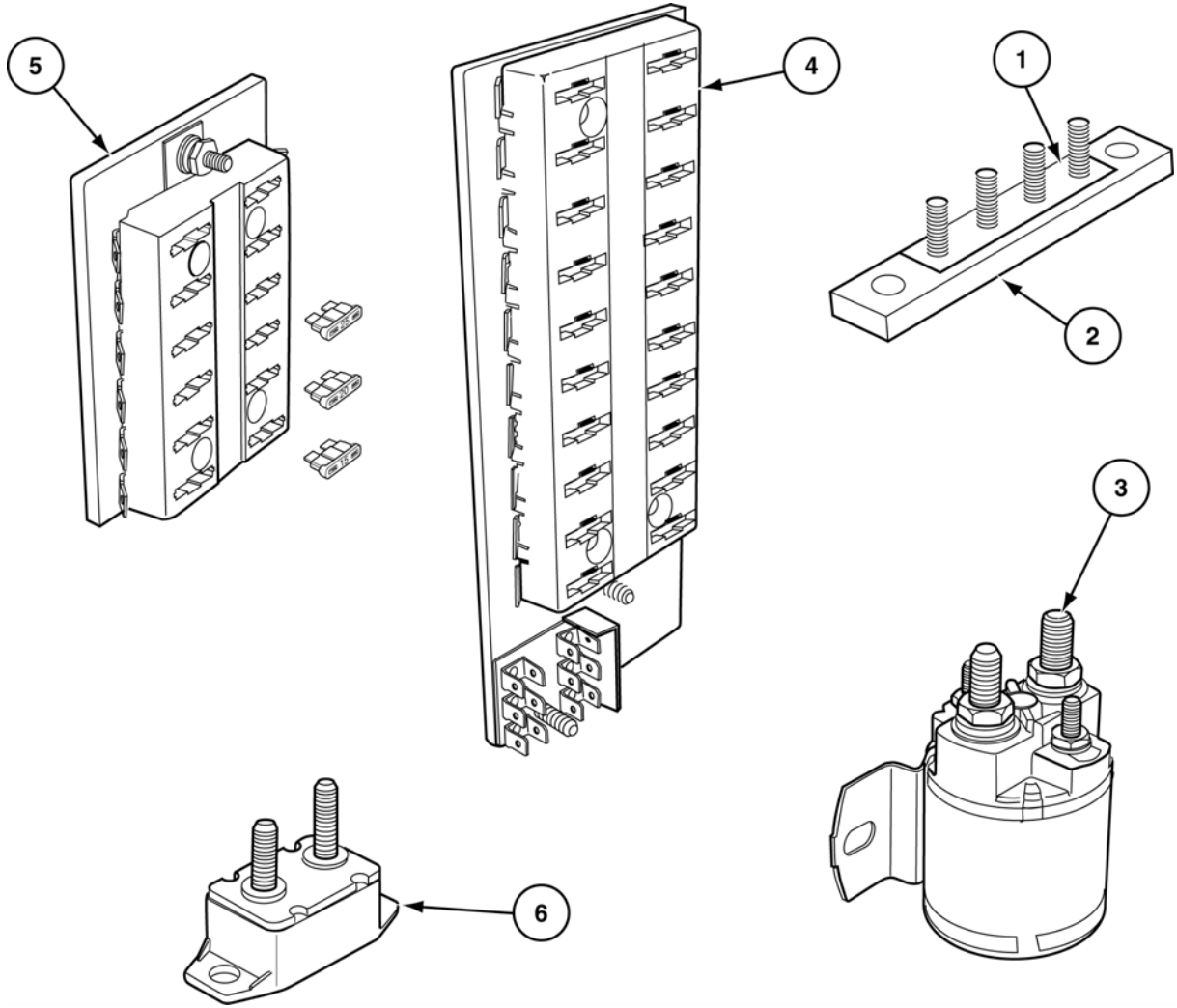
alternator, gmt-600 all
CH-280-900-2964

<i>ITEM PART NO. DESCRIPTION</i>	<i>QTY</i>	<i>ITEM PART NO. DESCRIPTION</i>	<i>QTY</i>
01 3973832 Alternator, 422V Penntex	1		



ELECTRIC HEATED ENTRY STEPS
CX-000-900-3121

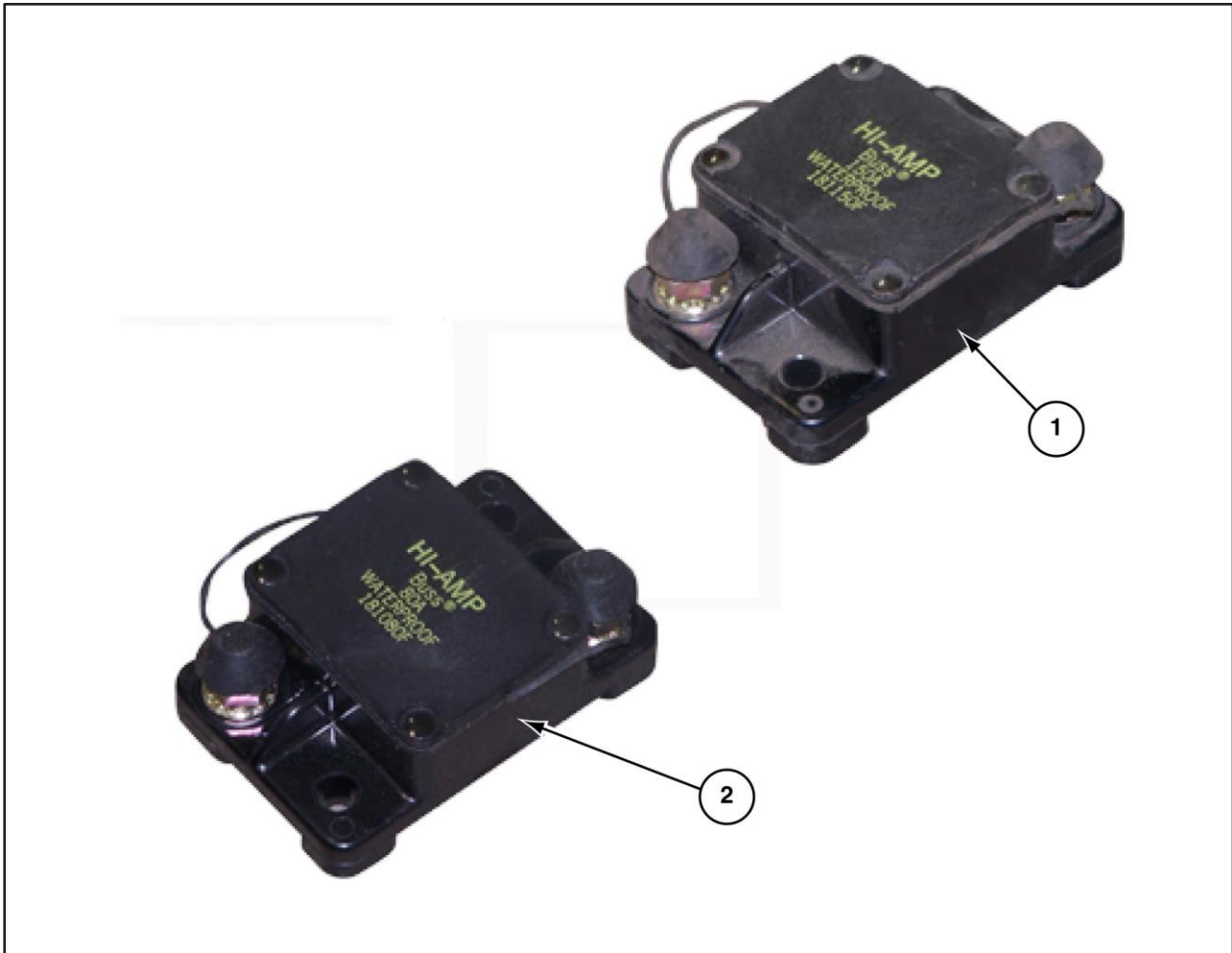
<i>ITEM</i>	<i>PARTNO.</i>	<i>DESCRIPTION</i>	<i>QTY</i>	<i>ITEM</i>	<i>PARTNO.</i>	<i>DESCRIPTION</i>	<i>QTY</i>
01	2143592	HEATER, ENTRANCE STEP(12-VOLT)	3				
NS	0741058	INSULATION BOARD(1 x 48 x 96)	A/R				
NS	3971290	BREAKER, 20 AMP	1				



FUSE BOX INSTALL

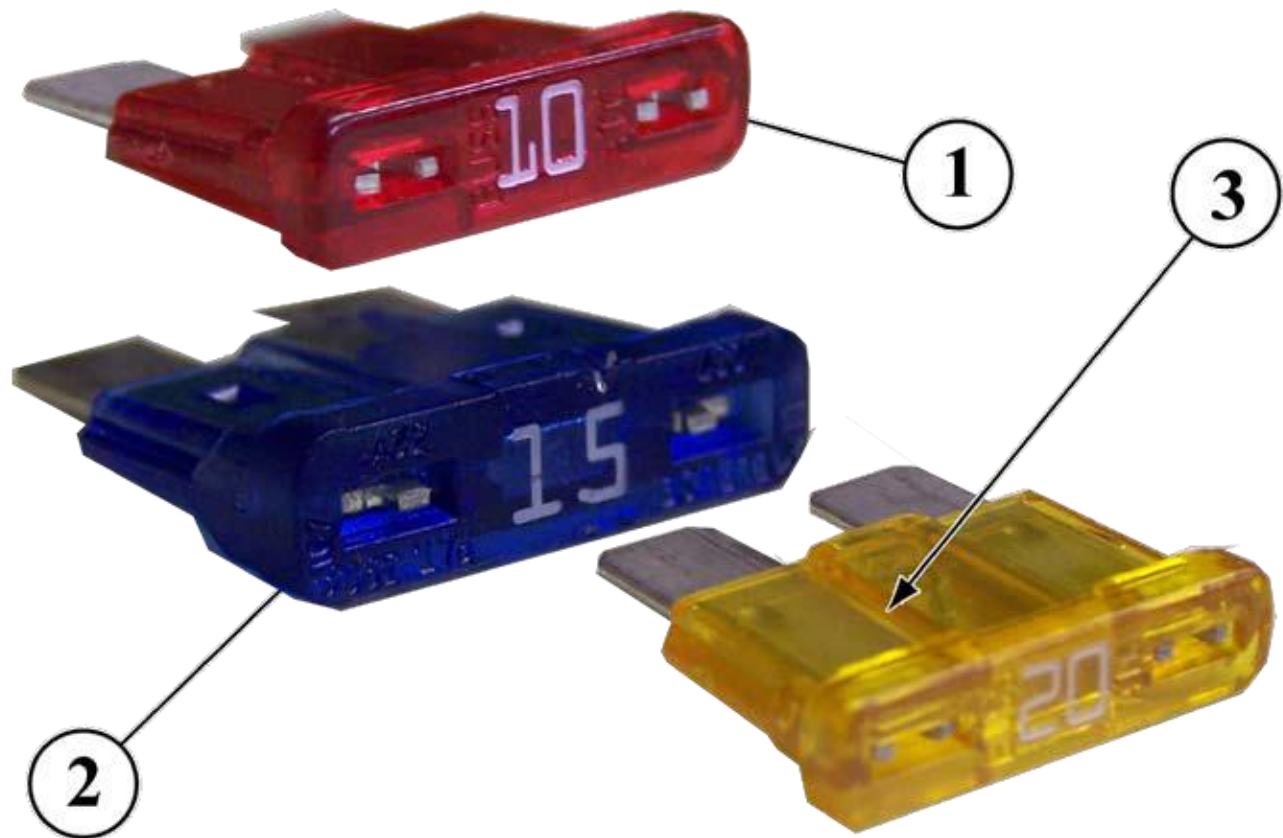
0405959

ITEM	PART NO.	DESCRIPTION	QTY	ITEM	PART NO.	DESCRIPTION	QTY
01	3971863	BLOCK, BUSS BAR 4 CIRCUIT	1				
02	3971862	BLOCK, TERMINAL 4 CIRCUIT	1				
03	3943859	SOLENOID, 4 POST	1				
04	3971974	BLOCK, FUSE (20 CIRCUIT USD)	1				
05	3970540	BLOCK, FUSE (12 CIRCUIT)	1				
06	3971280	BREAKER, 15 AMP RESET BREAKER	1				
N/S	0405958	PANEL, FUSE LAMINATED PLYWOOD ASSEMBLY	1				



circuit breakers ch/cr
ch000fp23161 / ch-000-900-3161

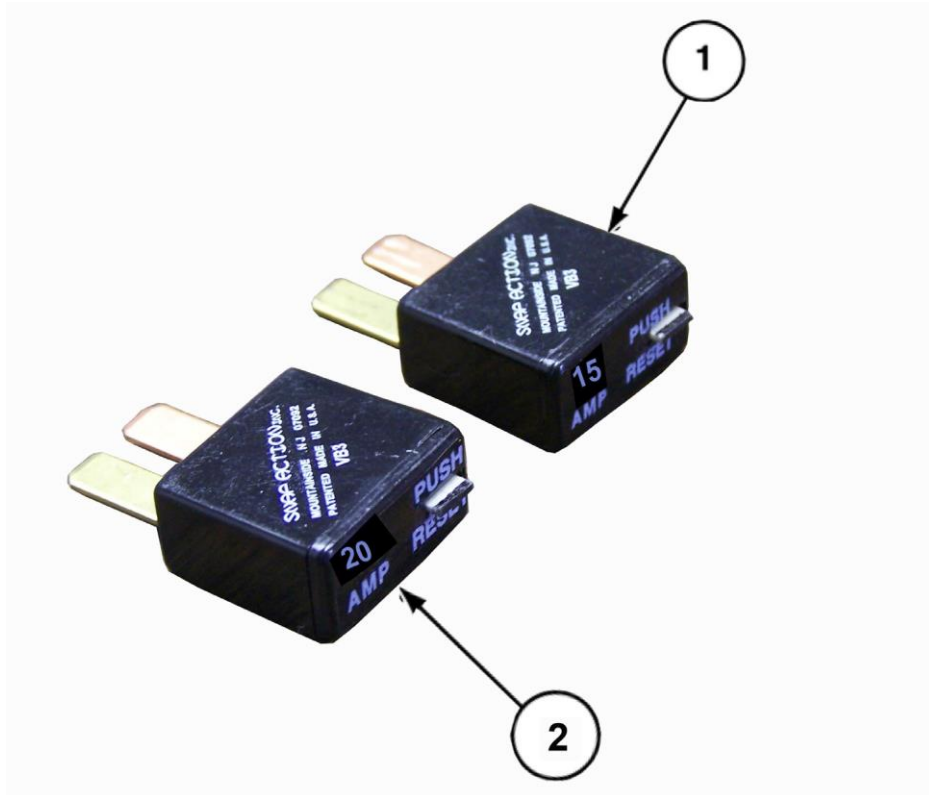
<i>ITEM PART NO. DESCRIPTION</i>	<i>QTY</i>	<i>ITEM PART NO. DESCRIPTION</i>	<i>QTY</i>
01 3970472 Breaker, 15 AMP 1771-1520	8		
02 3971290 Breaker, 20 AMP 1771-2028	1		



circuit FuSES ch/cr

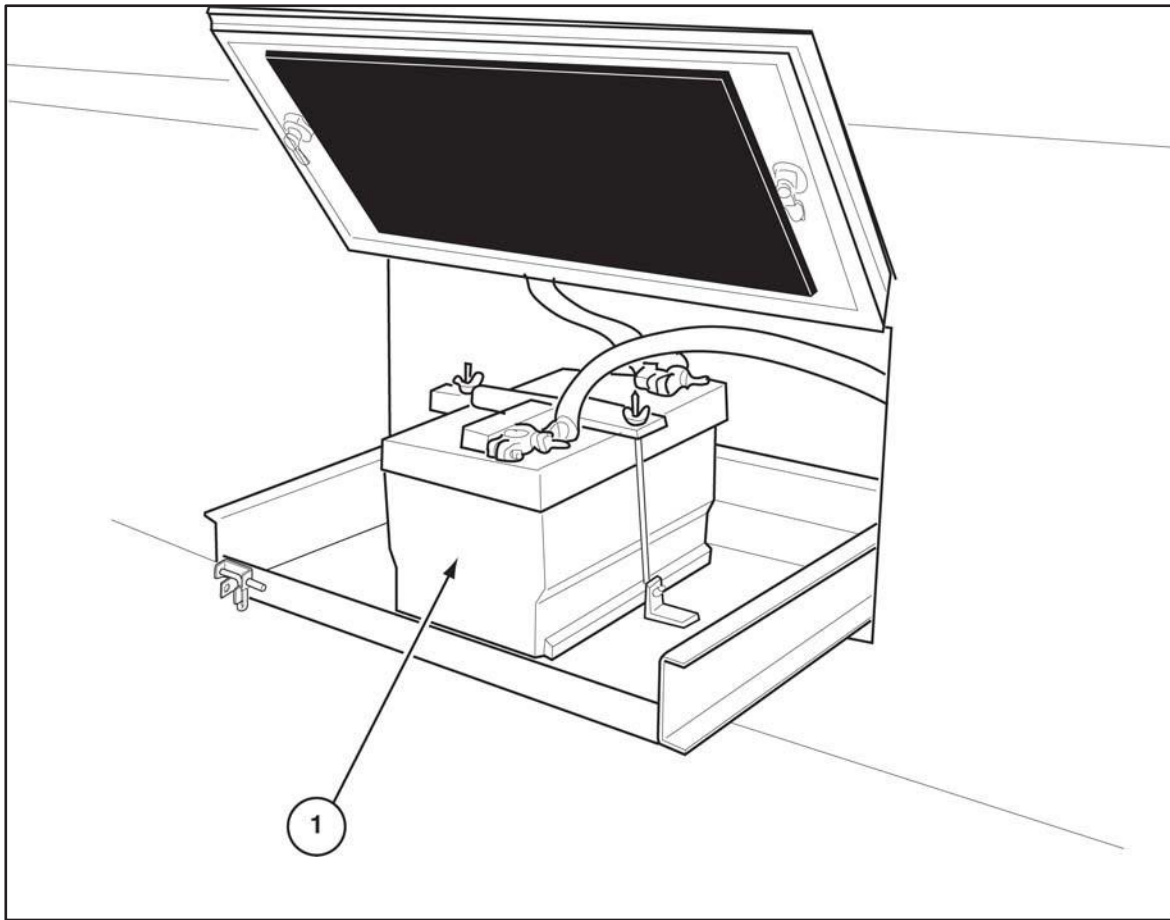
ch-000-999-S3161

<i>ITEM PART NO. DESCRIPTION</i>	<i>QTY</i>	<i>ITEM PART NO. DESCRIPTION</i>	<i>QTY</i>
1 3971285 Fuse, 10 AMP ATO Blade Type	1		
2 3971286 Fuse, 15 AMP ATO Blade Type	5		
3 3971287 Fuse, 20 AMP ATO Blade Type	3		
N/S 3971581 Terminal, QKDisc/Fem Non-Ins 16-14	2		



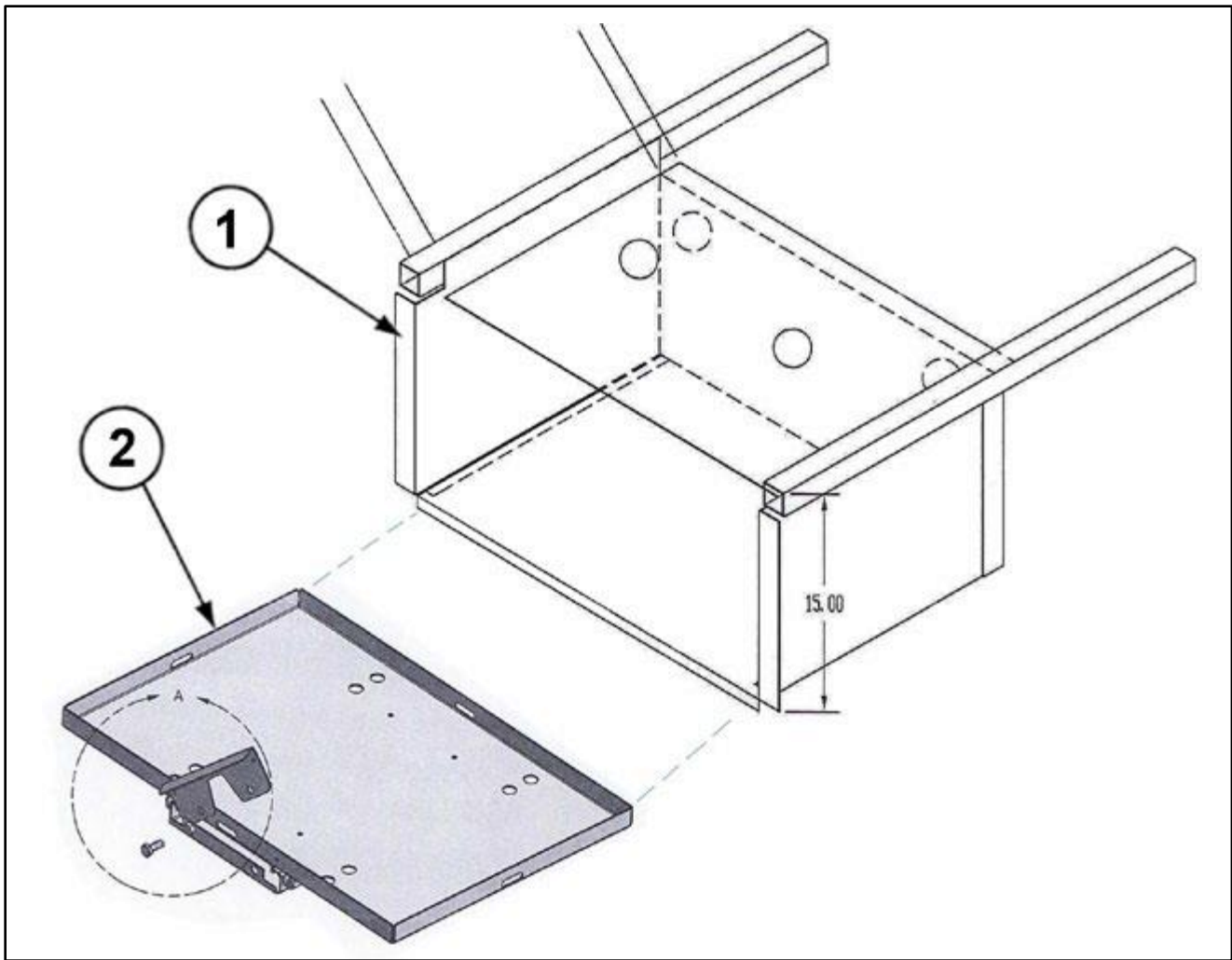
breakers, manual reset 0410569

<i>ITEM PART NO. DESCRIPTION</i>	<i>QTY</i>	<i>ITEM PART NO. DESCRIPTION</i>	<i>QTY</i>
01 3972094 BREAKER, 15 AMP MANUAL RESET	6		
02 3972095 BREAKER, 20AMP MANUAL RESET	6		
N/S 3973921 BLOCK, FUSE NO GROUND	1		
N/S 0140293 DIODE, POWER 25 AMP MB	2		



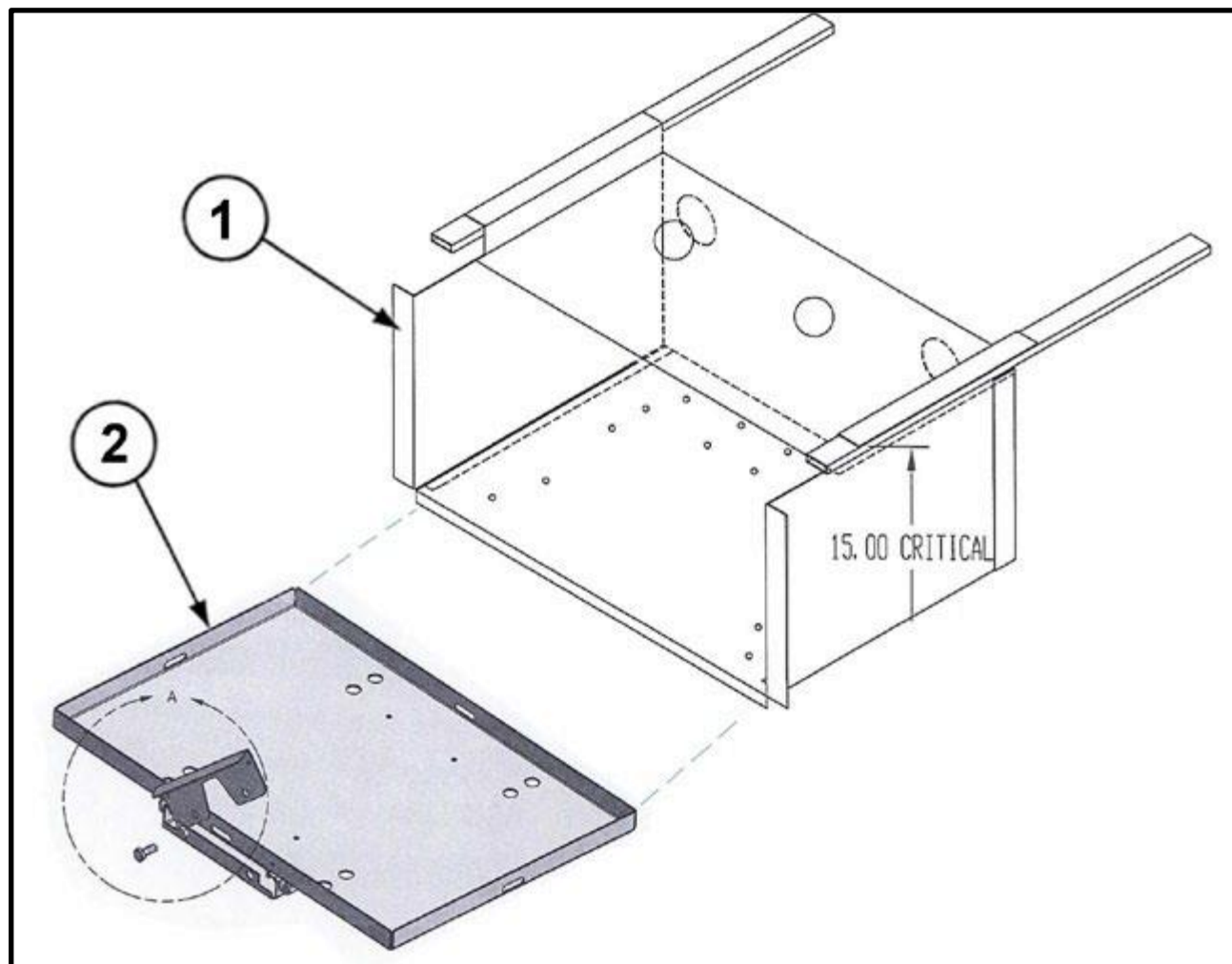
**battery 8d CH/Cr assembly
CX0000022967**

<i>ITEM PART NO. DESCRIPTION</i>	<i>QTY</i>	<i>ITEM PART NO. DESCRIPTION</i>	<i>QTY</i>
01 3945813 Battery, 8D	1		
NS 3946828 Loom, 1" ID Nylon Split Hi Temp	1		
NS 3972411 Terminal, Battery End Neg.	1		
NS 3972417 Terminal, Battery End Pos.	1		



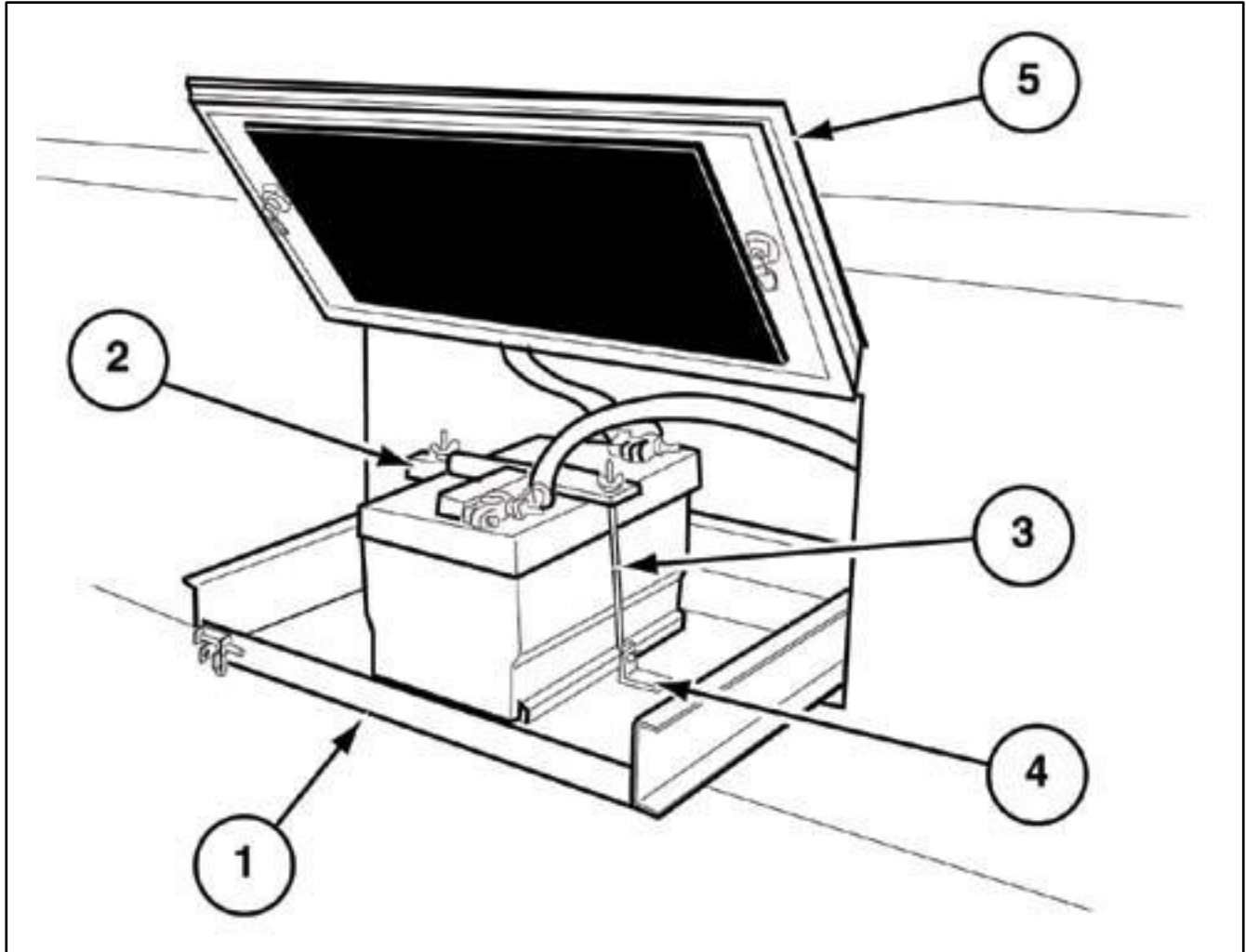
ENCLOSED battEry bOx w/tray S/S
0419136-PDOT / 0418307

ITEM	PART NO.	DESCRIPTION	QTY	ITEM	PART NO.	DESCRIPTION	QTY
		0419136-PDOT BOX, BATTERY S/S ENCLOSED ASSY				0418307 INSTALL, BATTERY TRAY S/S PT-2	
01	0379394	BOX, BATTERY 15 x 26 S/S ENCLOSED	1	02	0379088	TRAY, BATTERY S/S PT-2 SS	1
NS	5370598	DOOR, BATTERY (13.25 x 25.75)	1		8571504	PIN, CLEVIS 3/16 x 19/32 W/29/64" LE	1
NS	4941688	HOLDER, DOOR 1"(Picture does not represent part)	1		8571505	PIN, HITCH CLIP HP223	1
NS	3371421	COVER, SCREW ELIXIR WHITE (200 PC BOX)	1.5		8570384	BOLT, HEX 1/4-20 x 1" S/S	4
NS	8571562	FASTENER, 3/16 x .040-.354 KLAMPTITE	2		8570915	WASHER, FLAT 1/4" STAINLESS STEEL	8
NS	0375267	PLATE, BATTERY ISOLATOR SUPPORT	1		8571502	NUT, HEX 1/4-20 NYLOC STAINLESS STEEL	4
NS	3972411	TERMINAL, BATTERY END NEG. 23399-3	2				
NS	3972417	TERMINAL, BATTERY END POS. 23399-4	2				



ENCLOSED battery bOx w/tray S/S
0419167-PDOT / 0418307

ITEM	PART NO.	DESCRIPTION	QTY	ITEM	PART NO.	DESCRIPTION	QTY
		0419167-PDOT BOX, BATTERY S/S ENCLOSED ASSY FL				0418307 INSTALL, BATTERY TRAY S/S PT-2	
01	0379395	BOX, BATTERY 15 x 26 S/S ENCLOSED	1	02	0379088	TRAY, BATTERY S/S PT-2 SS	1
NS	5370598	DOOR, BATTERY (13.25 x 25.75)	1		8571504	PIN, CLEVIS 3/16 x 19/32 W/29/64" LE	1
NS	4941688	HOLDER, DOOR 1"(Picture does not represent part)	1		8571505	PIN, HITCH CLIP HP223	1
NS	3371421	COVER, SCREW ELIXIR WHITE (200 PC BOX)	1.5		8570384	BOLT, HEX 1/4-20 x 1" S/S	4
NS	8571562	FASTENER, 3/16 x .040-.354 KLAMPTITE	2		8570915	WASHER, FLAT 1/4" STAINLESS STEEL	8
NS	0375267	PLATE, BATTERY ISOLATOR SUPPORT	1		8571502	NUT, HEX 1/4-20 NYLOC STAINLESS STEEL	4



Battery Box & tray 17 x 52

0407816 (rev-B) / 0417806

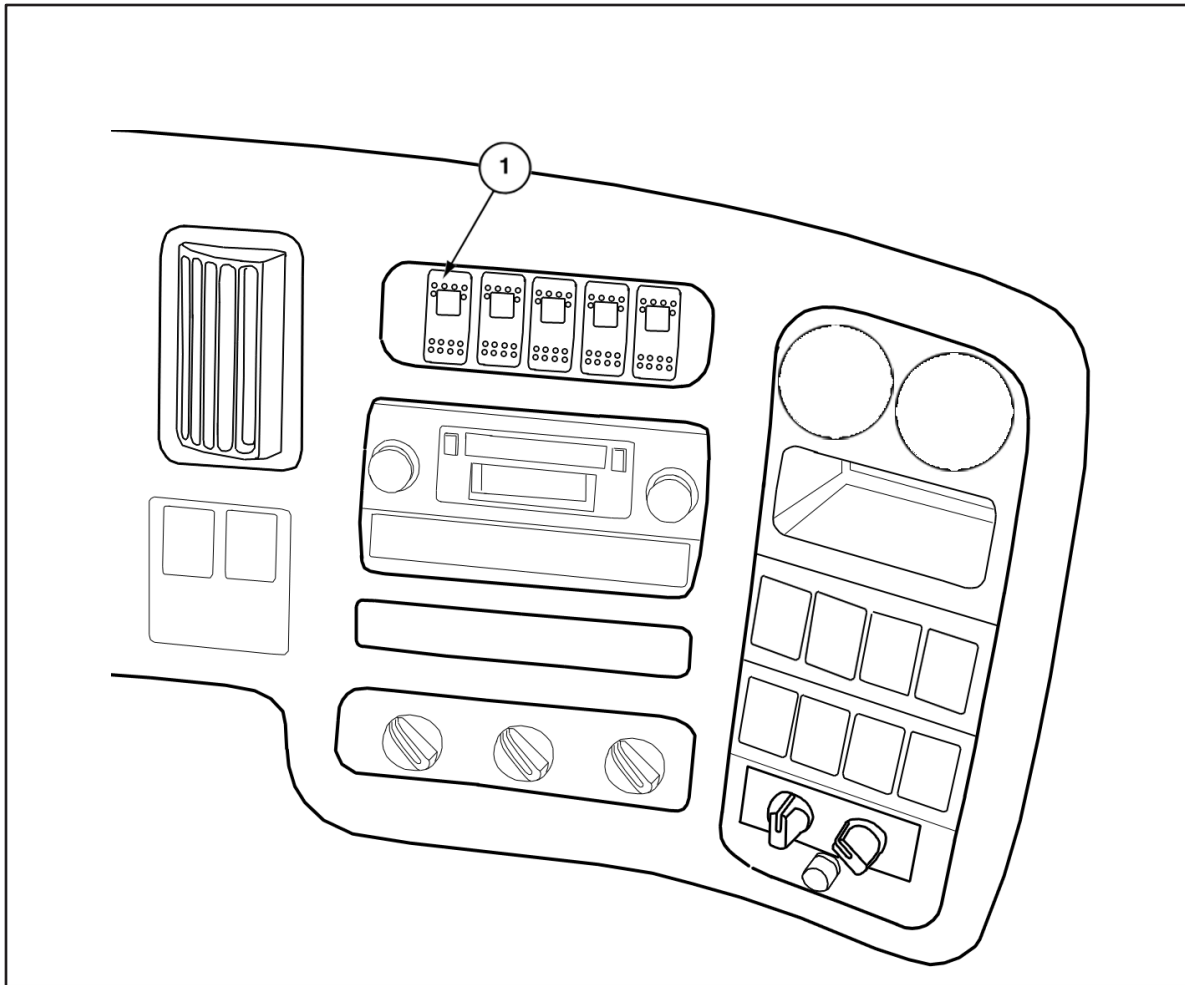
ITEM PART NO. DESCRIPTION	QTY	ITEM PART NO. DESCRIPTION	QTY
0407816 Tray, Battery GM/Ford CH Mount Gas		0417806 Hold Down, Battery W/Carriage Bolts	
01 0376577 Bottom, Battery GT Gas CH Mount	1	02 8571501 Bolt, Carriage 1/4 x 10"	2
3974939 Battery, Group 24 800CCA	1	03 8571503 Rod, Threaded 1/4-20 x 36" Zinc	1
8570202 Holddown, Battery 1/4-20 x 9	2	04 0379090 Bracket, Battery Tiedown W/Carriage	2
3971310 Cable, Battery 4GA SXL Black	5	NS 0170609 Line, Air Brake 3/8" Red	1.5
3972411 Terminal, Battery End Neg. 23399-3	2	NS 8570866 Nut, Wing 1/4-20	6
3972417 Terminal, Battery End Pos. 23399-4	2	NS 8543118 Washer, Lock 1/4" Plated	6
		NS 8571249 Washer, Flat 1/4 GR8	6
		NS 8570858 Nut, Hex GR8 1/4-20	4
		05 5370640 Door, Battery 15.25 x 51.75	1

NOTE: There are actually 2 Batteries in this battery tray.



**lift master switch w/ indicator light
cx0000024037 / 0401982**

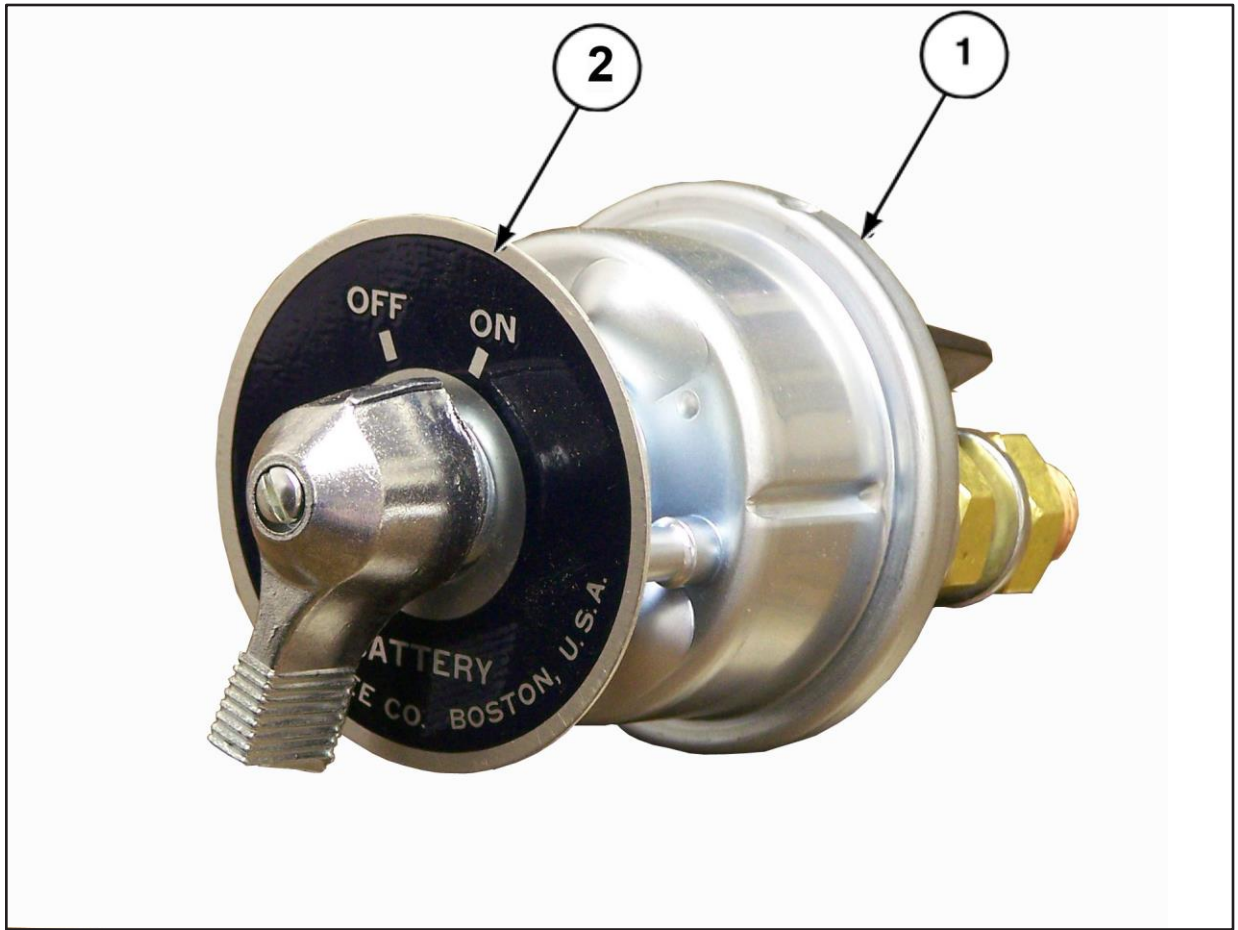
<i>ITEM PART NO. DESCRIPTION</i>	<i>QTY</i>	<i>ITEM PART NO. DESCRIPTION</i>	<i>QTY</i>
1 3974501 Light, Indicator Green	1		
2 3973881 Switch, Carlling ON/OFF	1		
NS 3947066 Connector, RT 10-4848	1		
NS 3973881 Receptical, Fast-On	4		



mASTER ACCESSORY SWITCH

Ch-000-900-5308

ITEM	PART NO.	DESCRIPTION	QTY	ITEM	PART NO.	DESCRIPTION	QTY
01	3973881	Switch, Carling On/Off	1				
NS	3970043	Lens, Master 4171-603 Blue	1				
NS	3971741	Wire, 14GA GXL TAN (UnMarked)	AR				



**master disconnect switch (gmt560-dsl)
0414634**

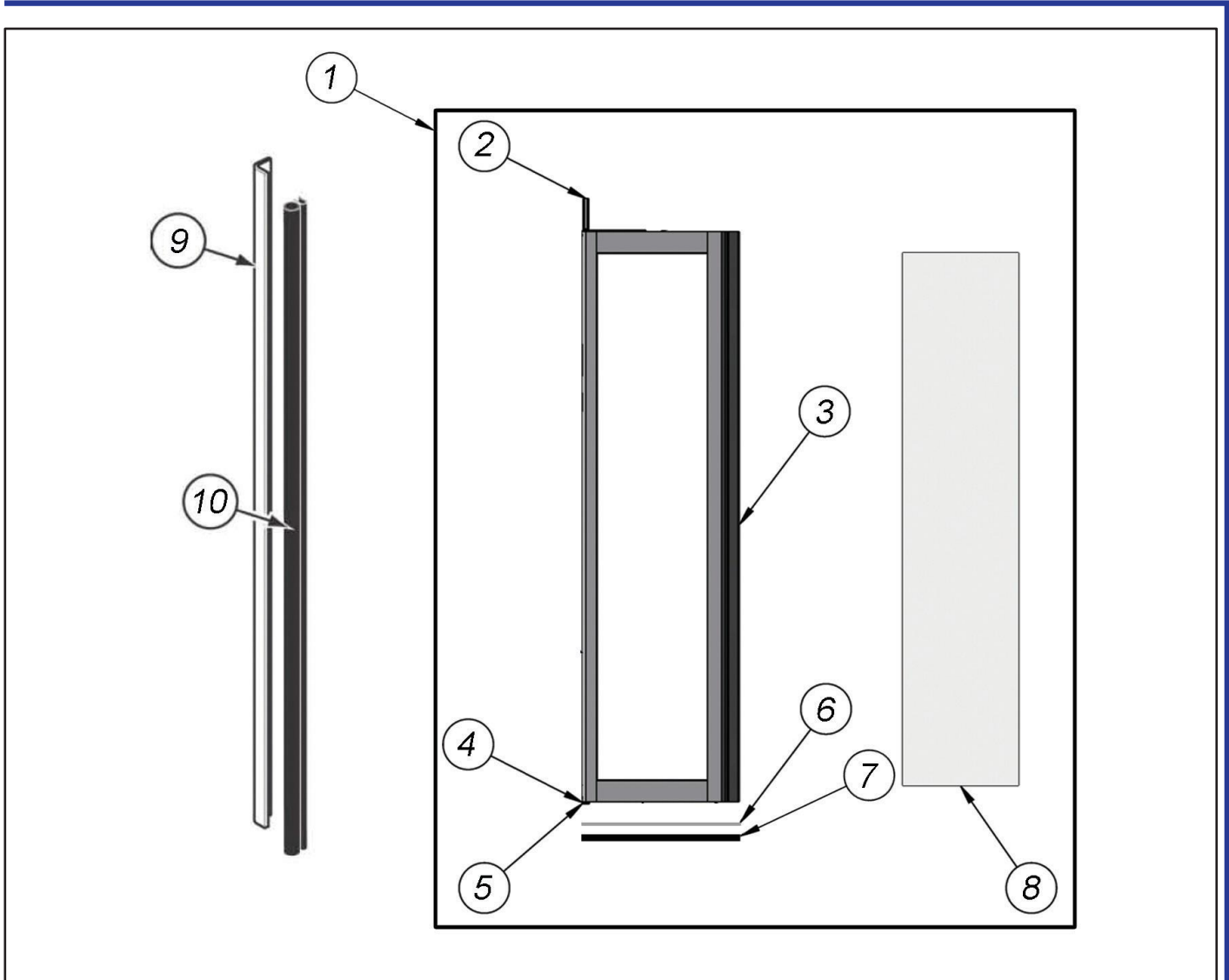
<i>ITEM PART NO. DESCRIPTION</i>	<i>QTY</i>	<i>ITEM PART NO. DESCRIPTION</i>	<i>QTY</i>
1 3973495 Switch, Master Disconnect GM	1		
2 8942609 Plate, Face for Disconnect	1		



CHAMPION
BUS, INC.
Thor Industries Commercial Bus Division

SECTION 5:

dOOrS



Entrance Door Leaf

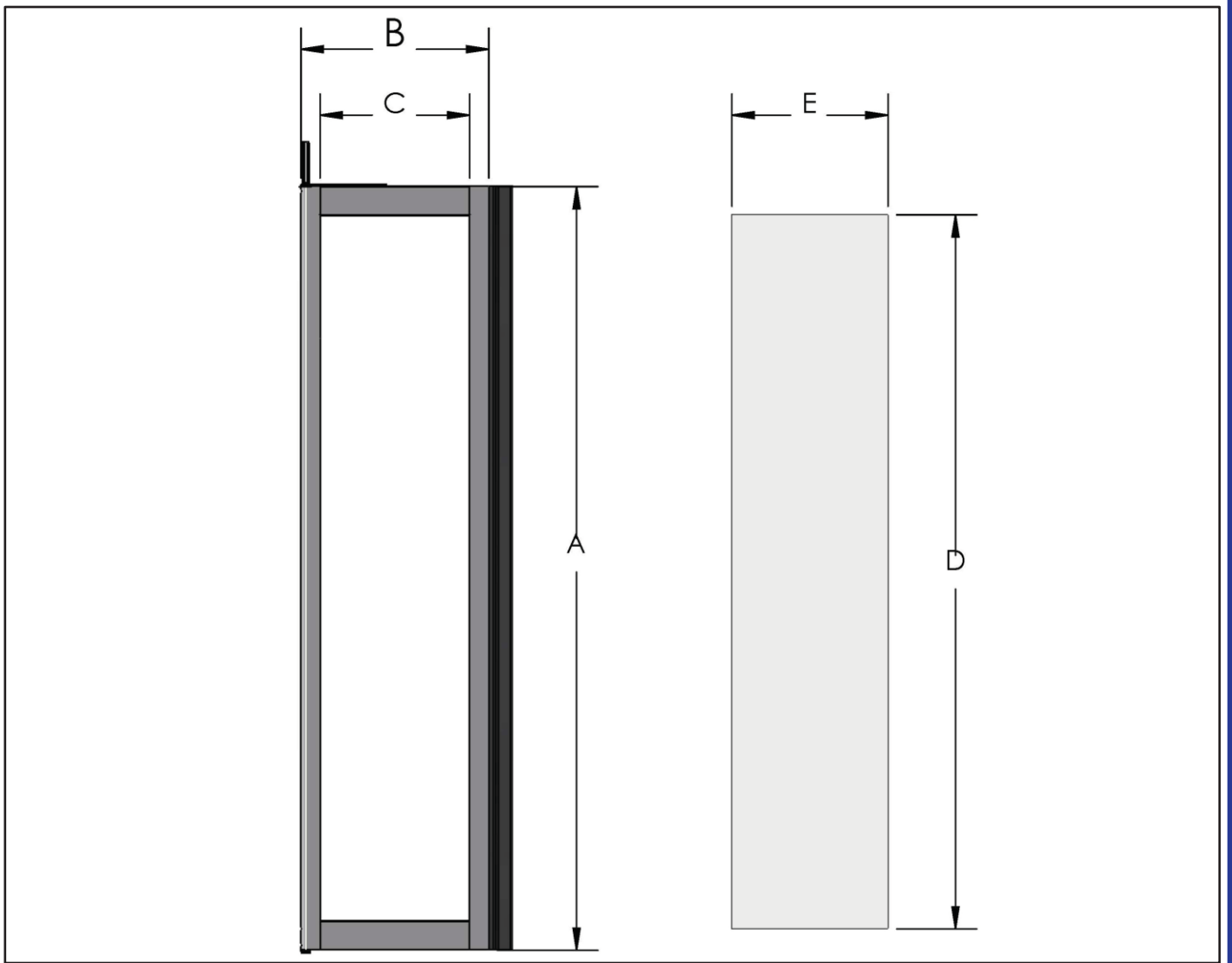
All Model, All Years Bi-Fold Doors

Item	Part Number	Description	QTY	Item	Part Number	Description	QTY
01		Call Your Parts and Service Department for Details	2				
02		Call Your Parts and Service Department for Details	2				
03		Call Your Parts and Service Department for Details	2				
04		Call Your Parts and Service Department for Details	2				
05	0373898*	PIVOT,LOWER DOOR	1				
06	5370616*	HOLDER,ENTRANCE DOOR BRUSH 10'	1				
07	5370615*	SEAL,ENTRANCE DOOR BRUSH 10'	1				
08		Call Your Parts and Service Department for Details	1				
09	4540142	ANGLE,ALUMINUM 1 X 1.5 X 12'	2				
10	3351566	SEAL,TRIM LOK LARGE BULB	A/R				
NS	0378789**	BRACKET,DOG BONE 30" DOOR	1				
NS	0378857**	BRACKET,DOG BONE 40" DOOR	1				

***Not included with Item Number 1**
**** Manual Door Only, One on Front Leaf**

Also Found in Assemblies:

Rev. 05/26/10

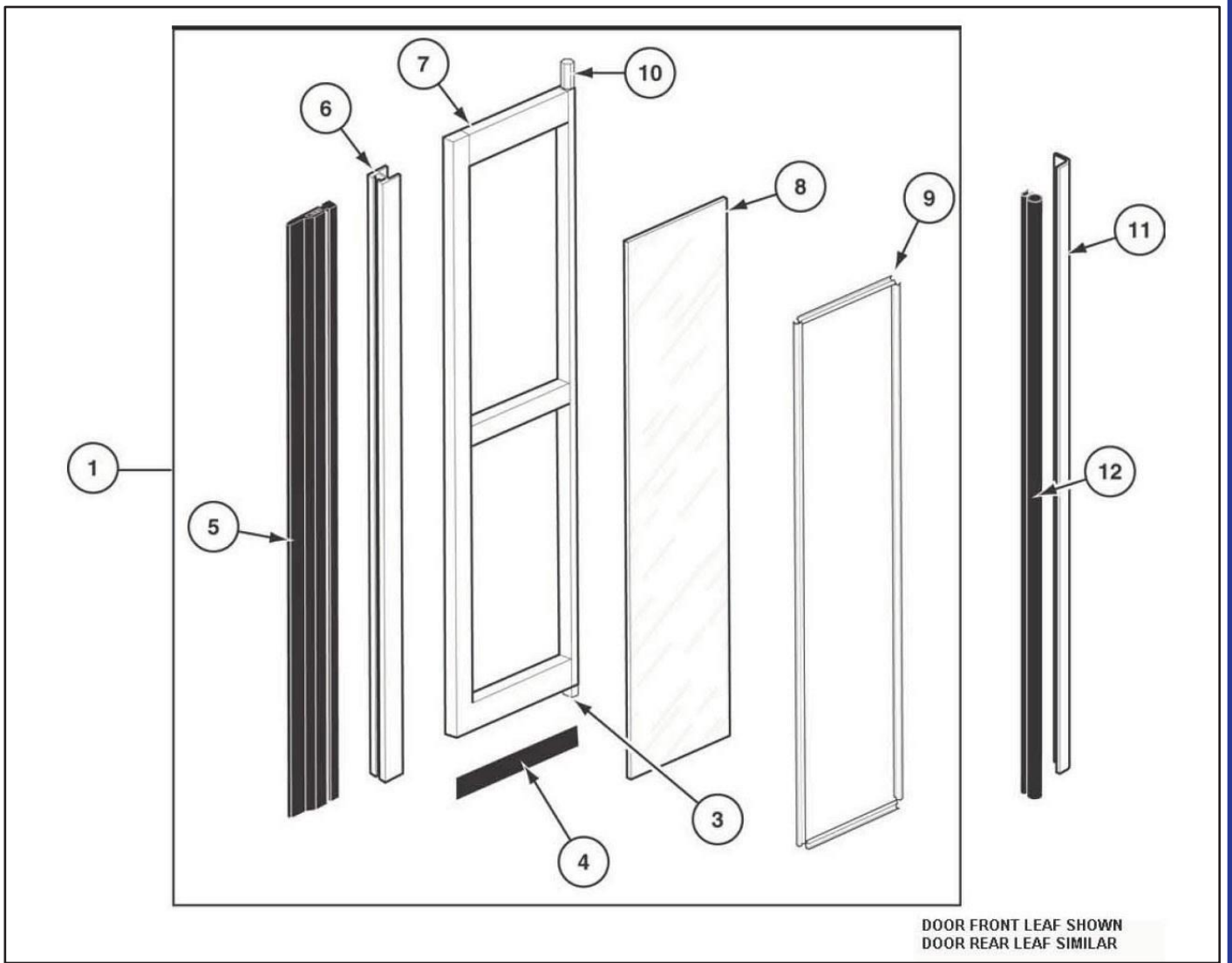


Entrance Door Leaf

All Model, All Years Bi-Fold Doors

Part Number	Length (A)	Width (B)
32" Door Assemblies		
5370363	75.75	14.75
5370619	80.75	14.75
3570641	86.375	14.75
5370621	90.75	14.75
5370627	96.375	14.75
38.75" Door Assemblies		
5370645	76	18.125
42" Door Assemblies		
5370620	80.75	19.75
5370629	81.5	19.75
5370625	86.375	19.75
5370622	90.75	19.75
5370626	96.375	19.75
5370648	95.333*	18.625*
46" Door Assemblies		
1016354	80.75	21.75
1015931	85	21.75

Rev. 05/26/10



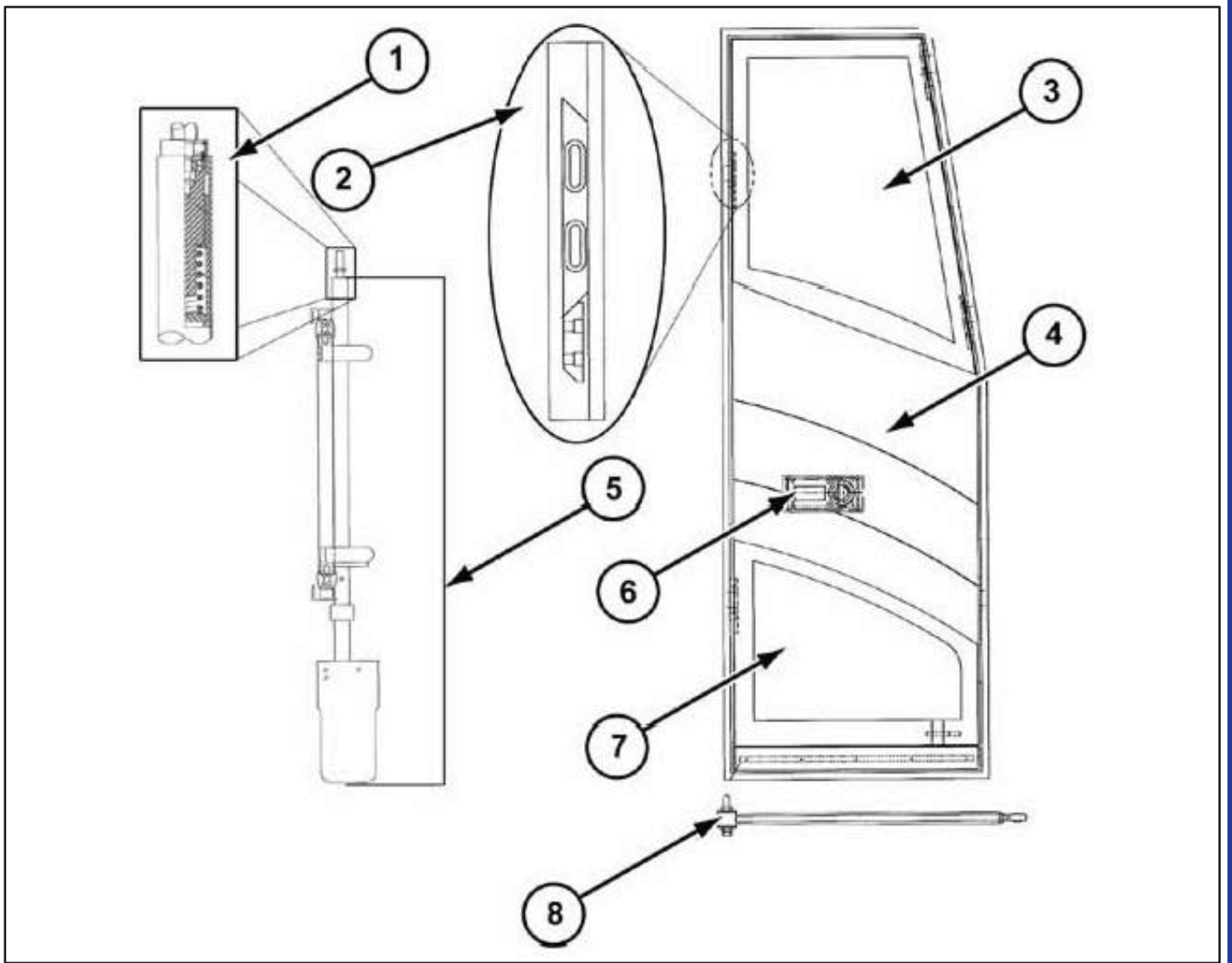
Entrance Door Leaf

All Model, Champion Made Replacement Parts Only

Item	Part Number	Description	QTY	Item	Part Number	Description	QTY
01		Not available as assembly. See previous pages					
03	0373898	Pivot, Lower Door					
04	0570178	Rubber, .25 x 3 x 25' RL Entry Door					
04	5370252	Seal,Brush 2.00 X 96.0					
05	5370180	Seal, Bi-Fold Door 60 Duro					
06	3371252	Extrusion,H Entry Door					
07	4570132	TUBE,.125"X 1"X 1"X 8' ALUMINUM RD					
	4570133	TUBE,.125 X 1"X 2"X 8' ALUMINUM RD					
08	CALL	Glass					
09	4570116	Extrusion,ENTR Door Glass					
10	0371807	Pin,Top Entry Door					
11	4540142	Angle, Aluminum 1 x 1.5 x 12					
12	3351566	Seal,Trim Lok Large Bulb					
NS	3371423	Bushing,Door Pivor .25" Thick					
NS	8970394	Tape,Window Sealex 1/4 x 1/2					
NS	8970414	Tape,Foam .5 x .75 x 25'					

Also Found in Assemblies:

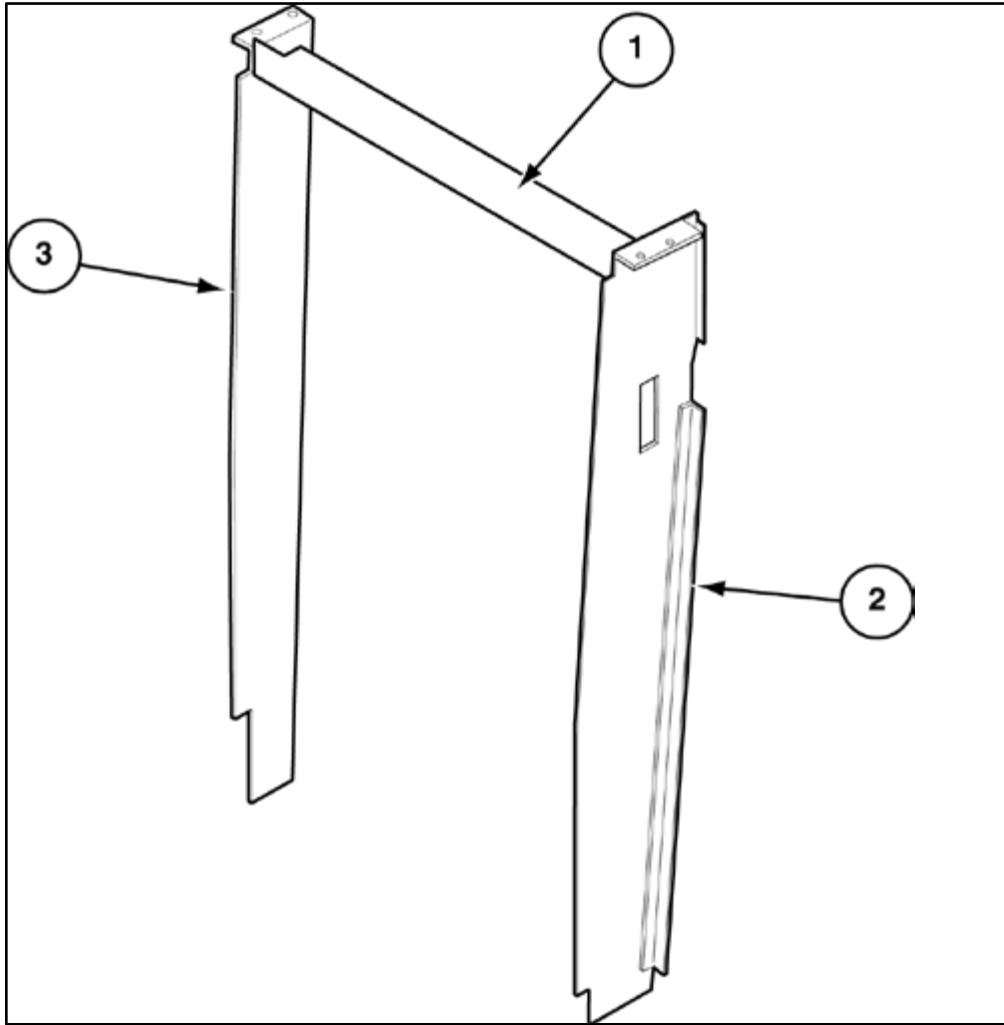
Rev. 05/26/10



Entrance Door Plug

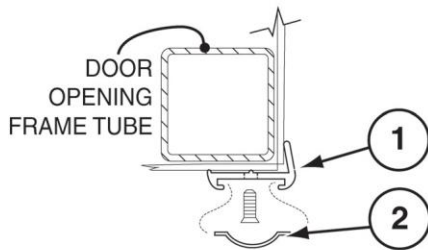
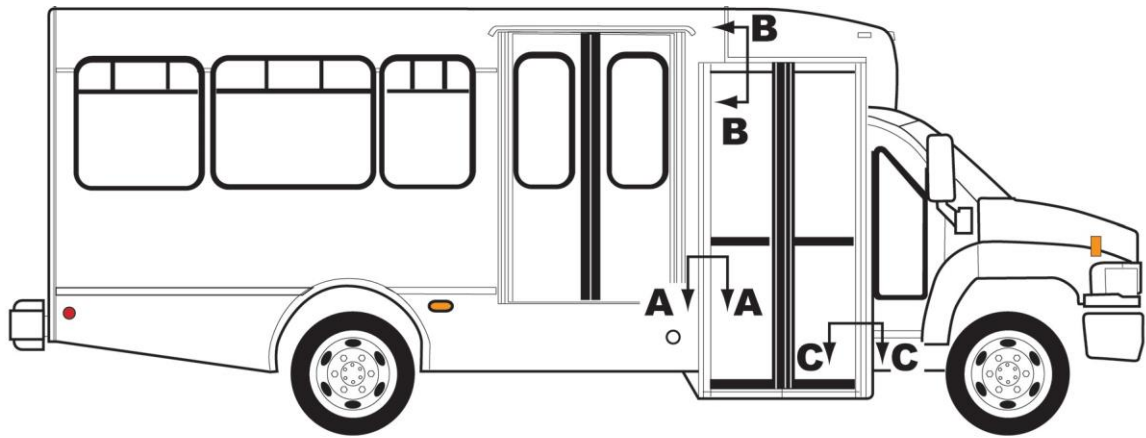
Item Part Number Description	QTY	Item Part Number Description	QTY
Call Your Parts and Service Department for Details			
		Also Found in Assemblies:	

Rev. 05/26/10

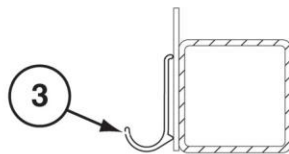


30" ENTRY DOOR FRAME INSTALL 0406590

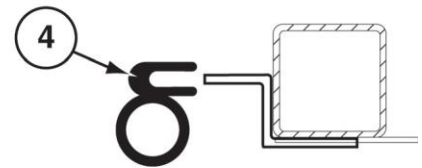
ITEM	PART NO.	DESCRIPTION	QTY	ITEM	PART NO.	DESCRIPTION	QTY
01	0376285	HEADER, 34.25 ENTRANCE	1				
2	0376283	WING, ENTRANCE DOOR FRONT	1				
3	0376284	WING, ENTRANCE DOOR REAR 2"	1				
N/S	3371554	CAP, ENTRY DOOR REAR WING	1				
N/S	3371572	CAP, ENTRY DOOR FRONT WING	1				



SECTION A-A



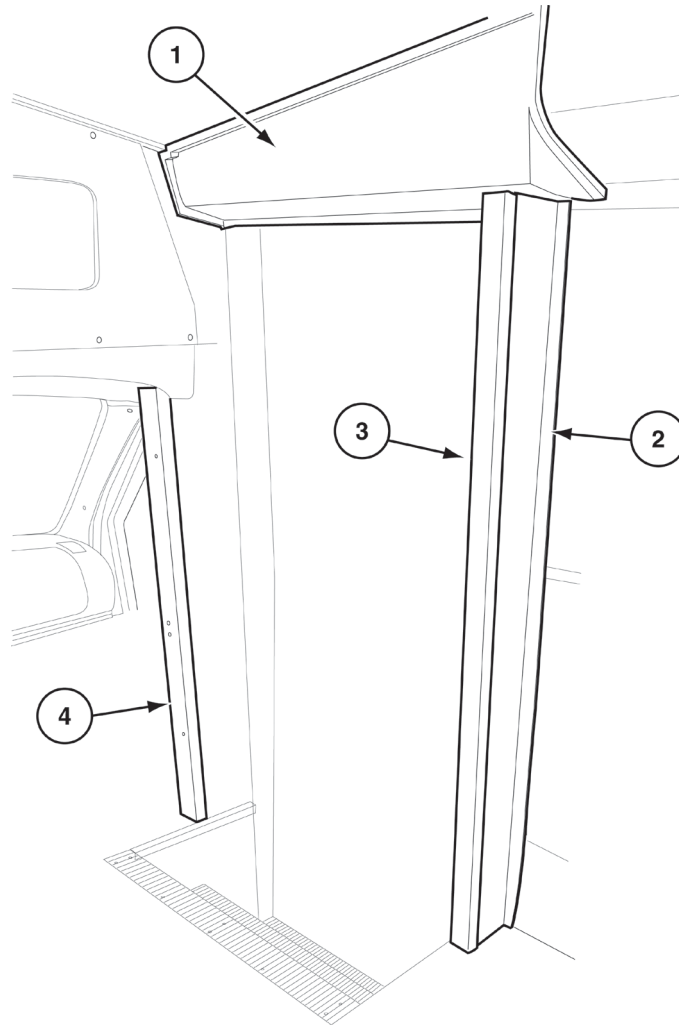
SECTION B-B



SECTION C-C

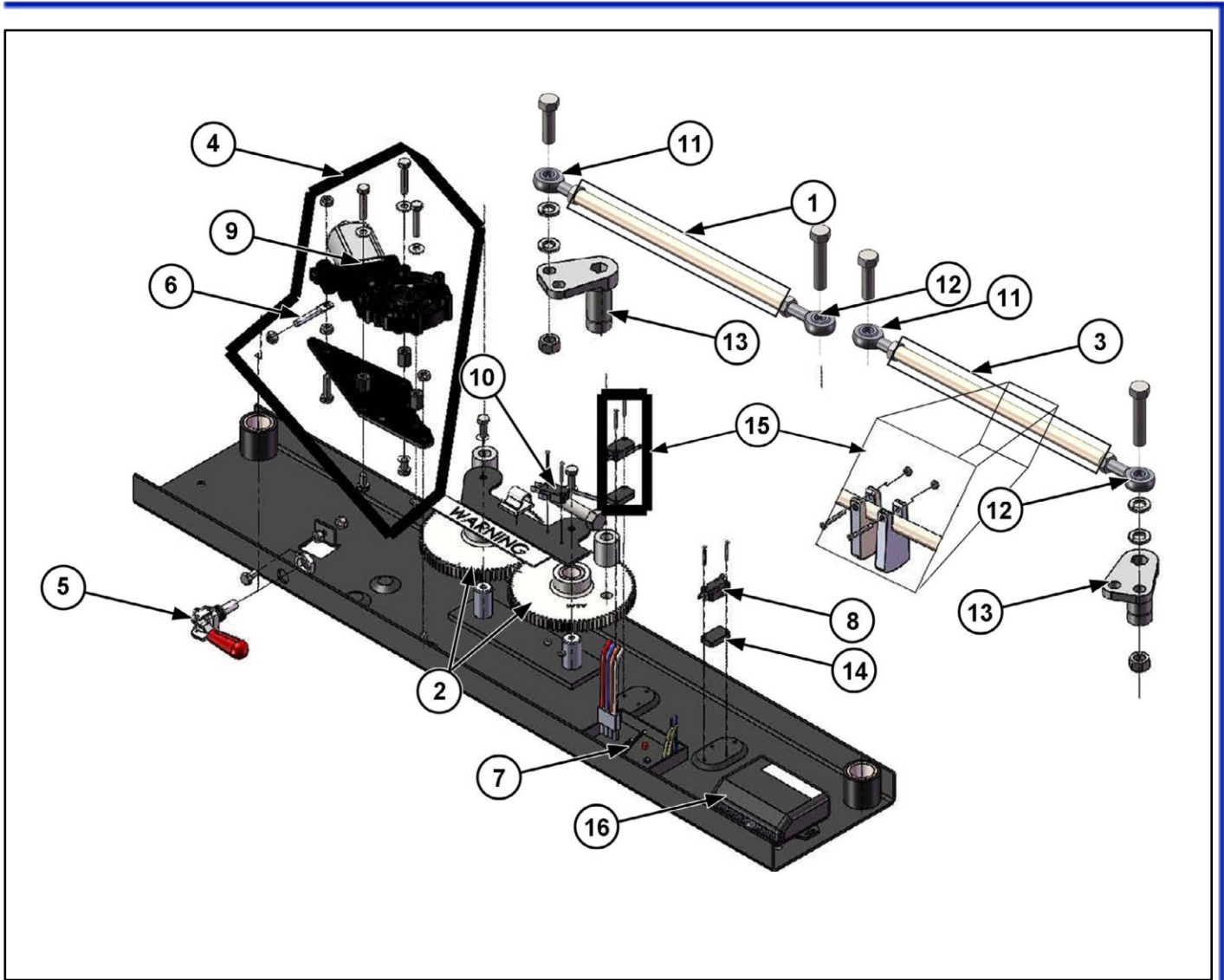
30" COMPOSITE DOOR EXTERIOR TRIM 0402717

ITEM	PART NO.	DESCRIPTION	QTY	ITEM	PART NO.	DESCRIPTION	QTY
1	4541124P	EDGE, DOOR OPENING (POLAR WHITE)	A/R				
2	3341237P	INSERT, 1" (POLAR WHITE)	A/R				
3	4570143	CAP, DRIP (POLARWHITE) W/O HOLES	A/R				
4	3351566	SEAL, TRIM-LOK (LARGE BULB)	A/R				
N/S	4970694	BUMPER, DOOR STOPPER RUBBER 2.25" BLK	2				
N/S	3971521	GROMMET, RUBBER (3/4")	2				



30" DOOR OPENING INTERIOR TRIM 0407860

<i>ITEM PART NO. DESCRIPTION</i>	<i>QTY</i>	<i>ITEM PART NO. DESCRIPTION</i>	<i>QTY</i>
1 3371439 COVER,30" ENTRY DOOR HEADER,ABS DF	1		
2 3350543 TRIM,BUS CORNER	1		
3 3371554 CAP,ENTRY DOOR OPENING REAR	1		
N/S 0970119 PANEL,VINYL CLAD TO LAUAN 4 x 8 SHEET	A/R		

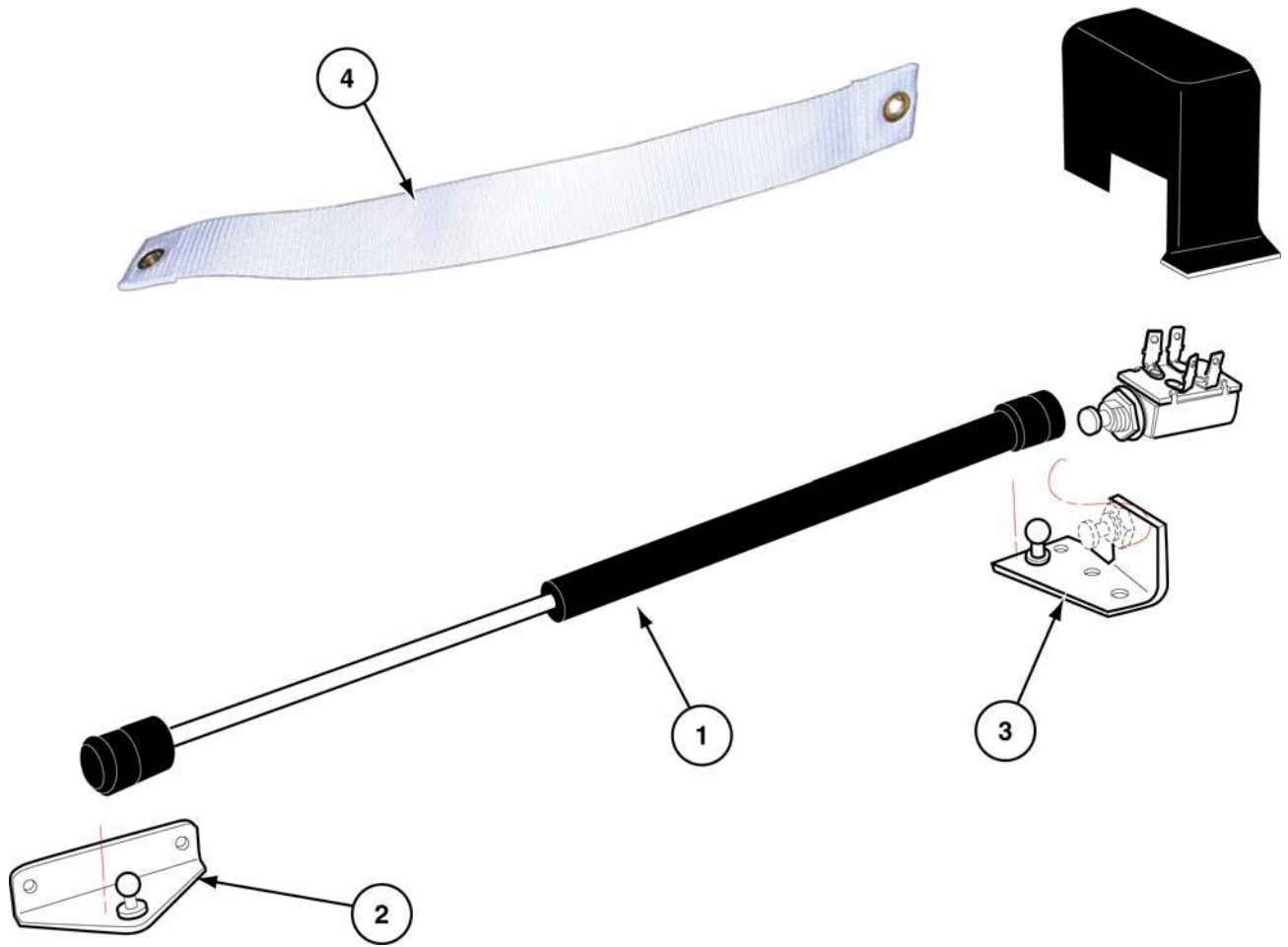


Entrance Door Controls Electric Door

Item	Part Number	Description	QTY	Item	Part Number	Description	QTY
01		Call Your Parts and Service Department for Details	1				
02	1013443	GEAR, MAIN AM SYSTEMS	2				
03		Call Your Parts and Service Department for Details	1				
04	1014034	MOTOR ASSEMBLY	1				
05	1013444	EMERGENCY RELEASE HANDLE	1				
06	1014324	BOLT,HANGER 1/4 FLATTENED END X 2"	1				
07	1014937	PC BOARD, AUTO REOPEN	1				
08	3972541	SWITCH,MICROA&M	A/R				
09	1016840	MOTOR,ELECTRIC DOOR A&M	1				
10	1016301	SWITCH,LIMIT AUTO REOPEN ONLY	1				
11	1015921	END,ROD R/H A & M SYSTEMS	2				
12	1015922	END,ROD L/H A & M SYSTEMS	2				
13	1016224	ACTUATOR,ARM 2 HOLE	2				
14	1016208	SPACER,SWITCH ASSY-A&M	A/R				
15	3973804	DOOR KIT,HEADER A&M NOT CLOSED	A/R				
16		Call Your Parts and Service Department for Details	1				

Also Found in Assemblies:
 0402852, 0403417, 0404044, 0404520, 0406396, 0406756
 0408908, 0414076, 0402851, 0404519, 0406266, 0409162
 0414075, 0414093

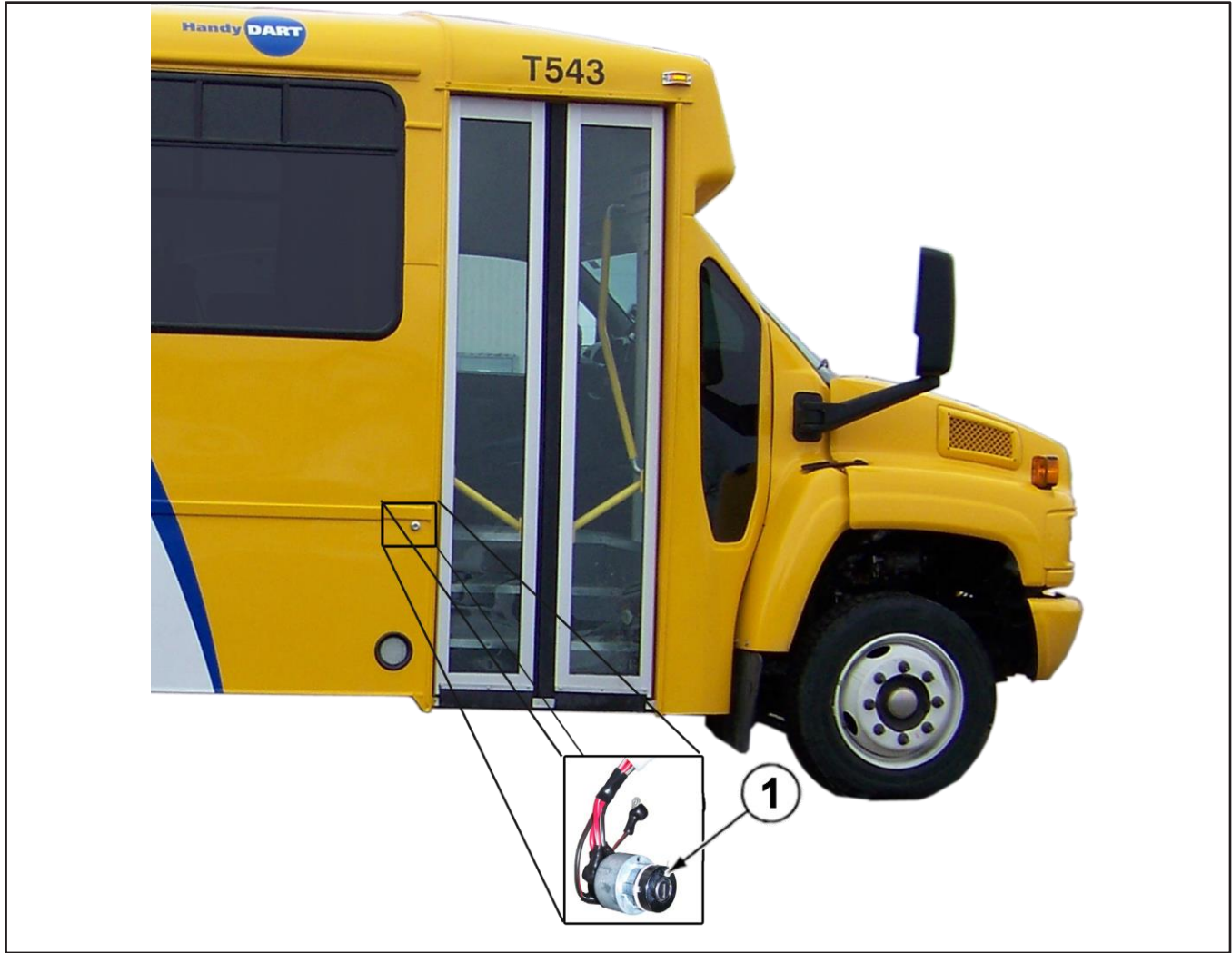
Rev. 05/26/10



INSTALL, GAS STRUT & TETHER

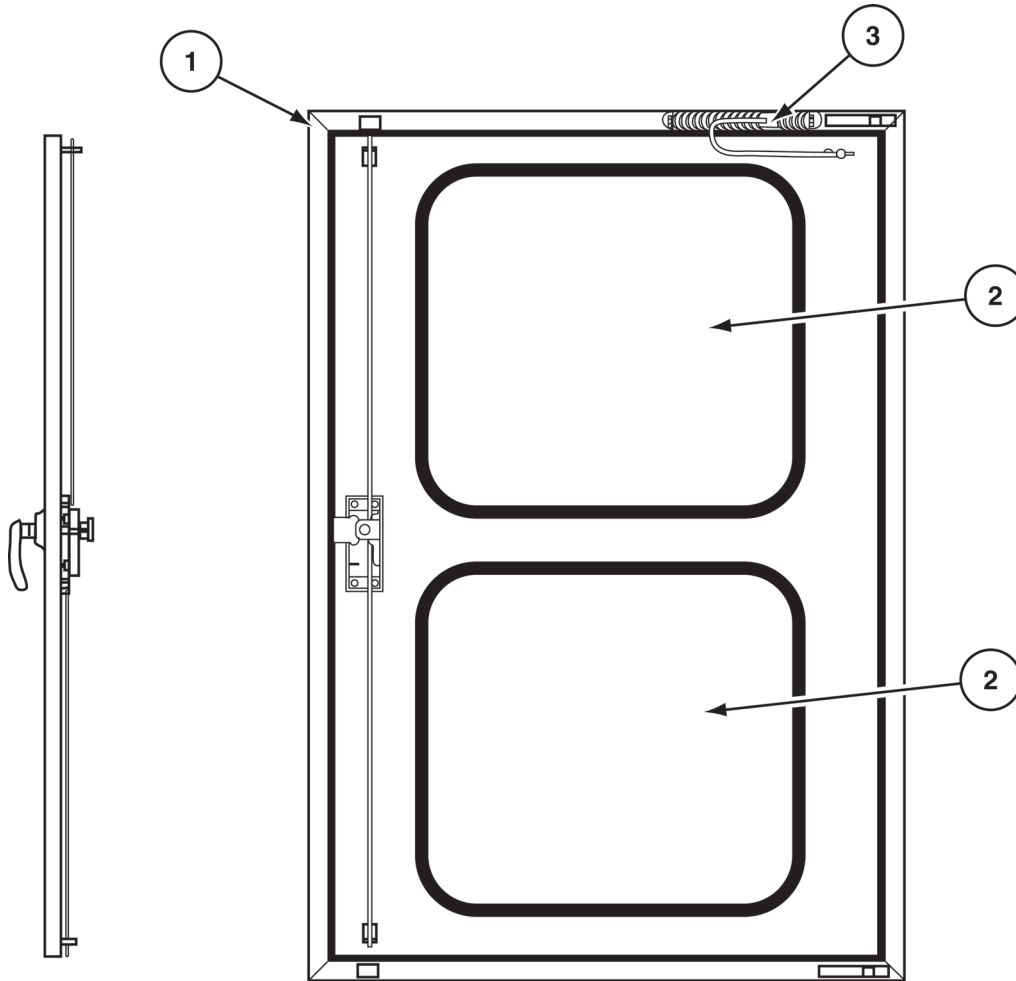
0410426

<i>ITEM</i>	<i>PARTNO.</i>	<i>DESCRIPTION</i>	<i>QTY</i>	<i>ITEM</i>	<i>PARTNO.</i>	<i>DESCRIPTION</i>	<i>QTY</i>
01	4970545	STRUT,GAS (60LB, 14")	1				
2	4970546	BRACKET,STRUT(270°"C" STYLE)	1				
3	0376564	BRACKET,PARADOOR,STRUTSWITCH	1				
04	7371581	TETHER, PARADOOR(21")	1				
NS	4970423	BUMPER,RUBBER(1 X 1.5)	1				



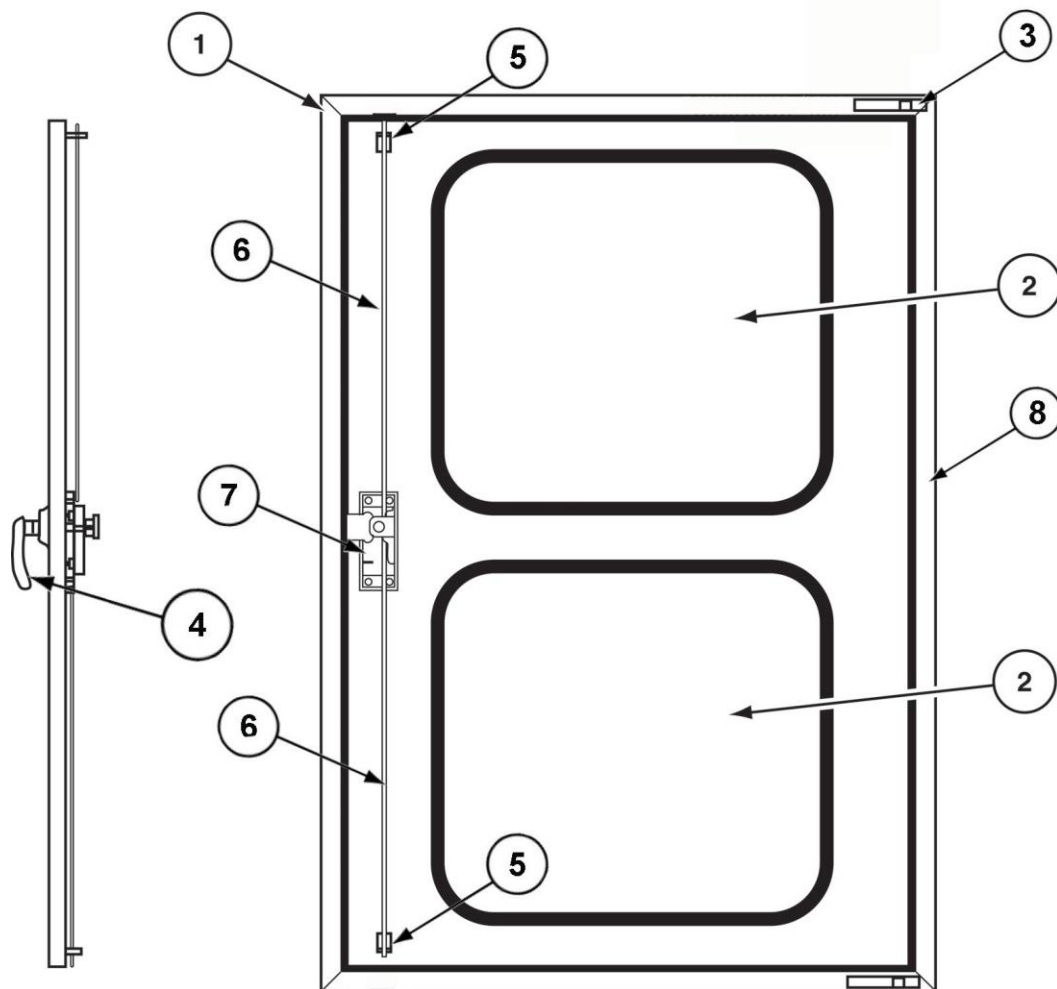
exterior key switch - kubota
cx0000020092 / 0409122

<i>ITEM PART NO. DESCRIPTION</i>	<i>QTY</i>	<i>ITEM PART NO. DESCRIPTION</i>	<i>QTY</i>
01 3972731 Switch, Keyed Entrance Door	1		
NS 3978269 Kubota, O-Ring Key Switch	1		
NS 3978270 Gasket, Kubota Key Switch	1		
NS 3974623 Harness, Key Switch	1		
NS 1015438 Keys, Set Kubota	1		



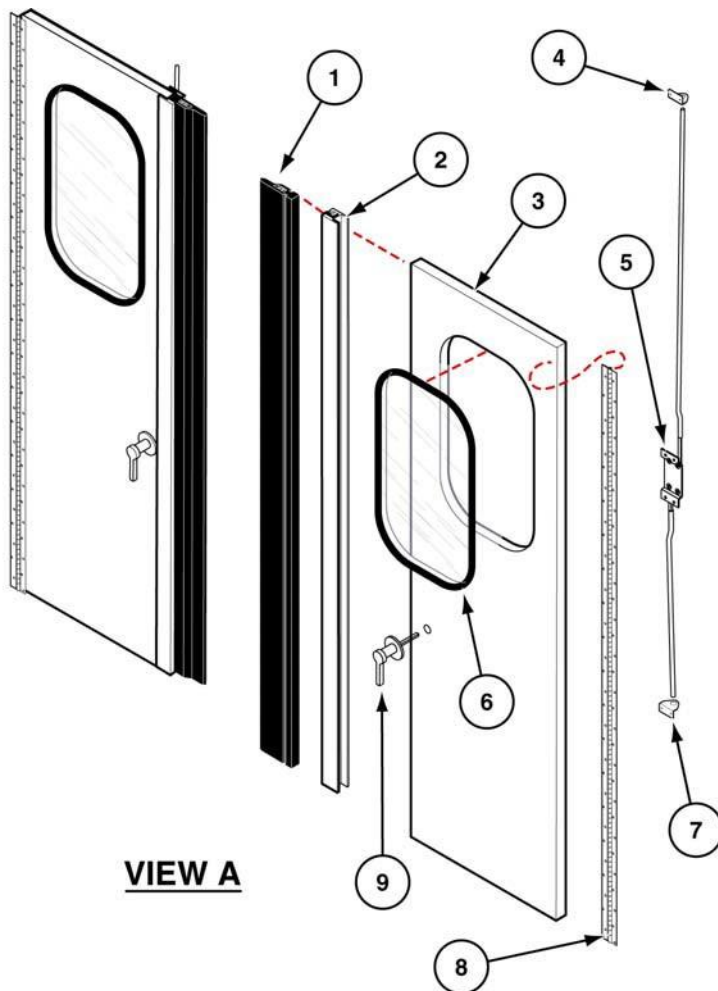
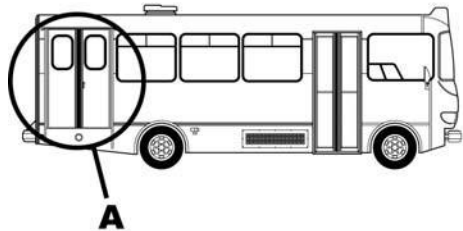
rear cargo door W/ 2 WINDoWS
CH0000054040 / 0415284

<i>ITEM PART NO.</i>	<i>DESCRIPTION</i>	<i>QTY</i>	<i>ITEM PART NO.</i>	<i>DESCRIPTION</i>	<i>QTY</i>
01	3371731 DOOR ASM.,CARGO (PRE-HUNG)	1			
02	5970874 WINDOW (24" x 22")	2			
03	0377705 STOP,CARGO DOOR	1			
N/S	3973898 ACTUATOR,REAR DOOR	1			



**rear door composite W/ 2 WiNdOWs (reV-a)
0416961/0414670 (LoCKiNG or NoN-LoCKiNG)**

ITEM PART NO.	DESCRIPTION	QTY	ITEM PART NO.	DESCRIPTION	QTY
01	3371877 DOOR,CARGO REARS/S JAMB(PRE-HUNG)	1			
02	5970874 WINDOW (24" x 22")	2			
3	0377705 STOP,CARGO DOOR	1			
4	1015206 HANDLE,LOCKING OUTSIDE	1			
4	1015207 HANDLE,NON-LOCKING OUTSIDE	1			
5	0374253 GUIDE,REAR CARGO DOOR ROD	2			
06	4970182 DOOR ROD,48"	2			
7	4970457 LATCH,3-POINT CENTERCNTRL W/248" RODS	1			
8	1015590 HINGE,3-POINT FOR 1230 DOOR	1			
N/S	1015254 HANDLE,INSIDE	1			
N/S	3973898 ACTUATOR,REAR DOOR	1			



BI-FOLD PARATRANSIT DOOR 0413388

ITEM	PART NO.	DESCRIPTION	QTY	ITEM	PART NO.	DESCRIPTION	QTY
1	5370180	SEAL, BI-FOLD DOOR	1	09	4970460	HANDLE, NONLOCKING OUTSIDE	1
2	3371252	"H" EXTRUSION, ENTRY DOOR RUBBER	1		4940268	HANDLE, LOCKING OUTSIDE	1
3	0413280	FRAME, COMPOSITE PARADOOR REAR LEAF	1	N/S	0376637	PIVOT, DOOR UPPER	1
	0413278	FRAME, COMPOSITE PARADOOR FRONT LEAF	1	N/S	0376626	PIVOT, DOOR LOWER	1
4	0374253	GUIDE, REAR CARGO ROD	2	N/S	3371569	BUSHING, DOOR PIVOT	2
5	4970398	LATCH 2-POINT CENTER CONTROL	1	N/S	0406959	JAMB, EXTRUSION PARADOOR 94"	A/R
6	5970895	WINDOW, PARATRANSIT BI-FOLD DOOR	1				
07	4970493	GROMMET, 7/16 RUBBER	2				
08	NOT USED						



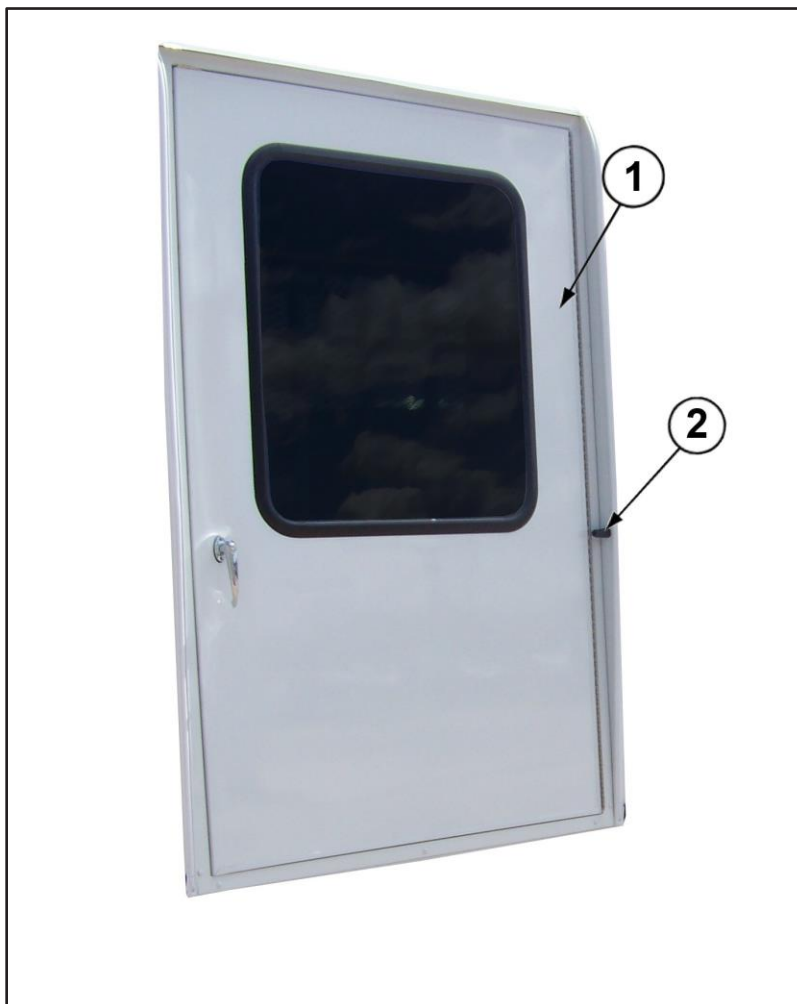
PARATRANSIT DOOR
0415771 - 3371756

<i>ITEM PART NO. DESCRIPTION</i>	<i>QTY</i>	<i>ITEM PART NO. DESCRIPTION</i>	<i>QTY</i>
01 3371756 DOOR ASSEMBLY, DUAL LEAF COMPOSITE	1		



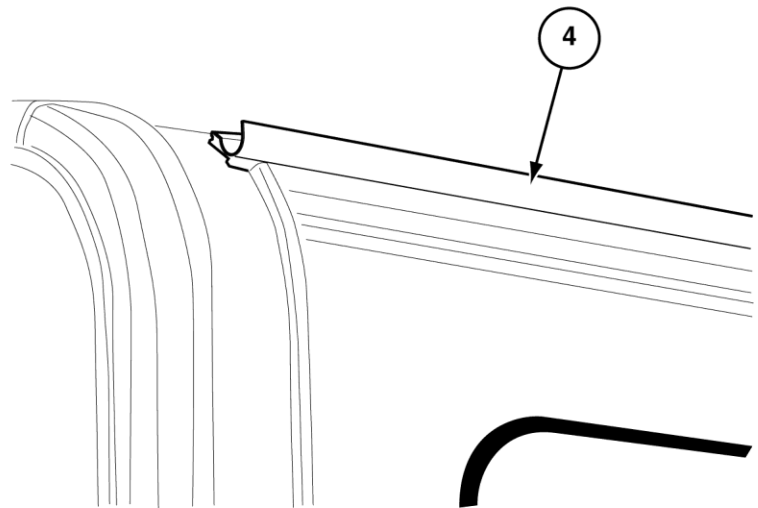
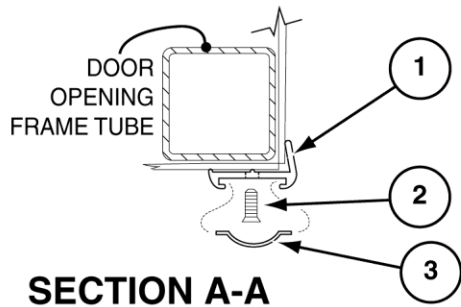
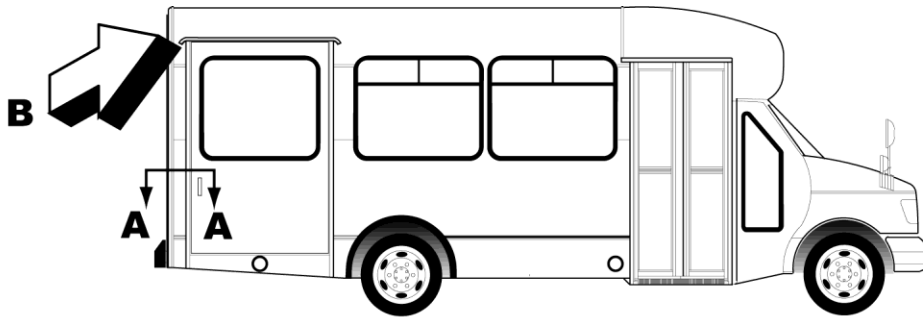
PARATRANSIT DOOR, DuAI
0416960

<i>ITEM</i>	<i>PART NO.</i>	<i>DESCRIPTION</i>	<i>QTY</i>	<i>ITEM</i>	<i>PART NO.</i>	<i>DESCRIPTION</i>	<i>QTY</i>
01	3371876	DOOR, PARA DUAL PRE-HUNG S/S JAMB	1				



paratransit door-single leaf s/s
0417012 / 3371878

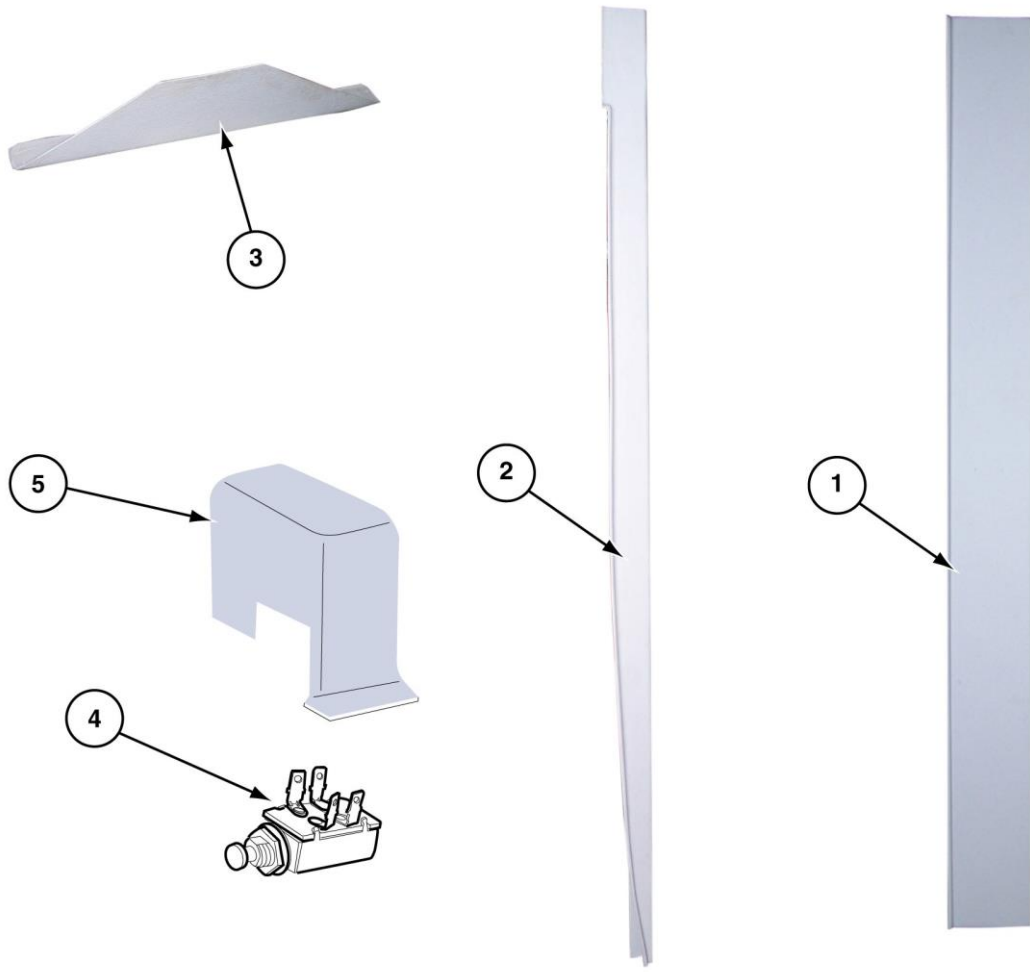
<i>ITEM PART NO. DESCRIPTION</i>	<i>QTY</i>	<i>ITEM PART NO. DESCRIPTION</i>	<i>QTY</i>
1 3371878 DOOR, LIFT COMP SINGLE PANEL S/S	1		
2 4970694 BUMPER, DOOR STOPPER RUBBER 2.25"	2		
N/S 4970748 HOLDER, DOOR 6" STAINLESS STEEL	2		



VIEW B

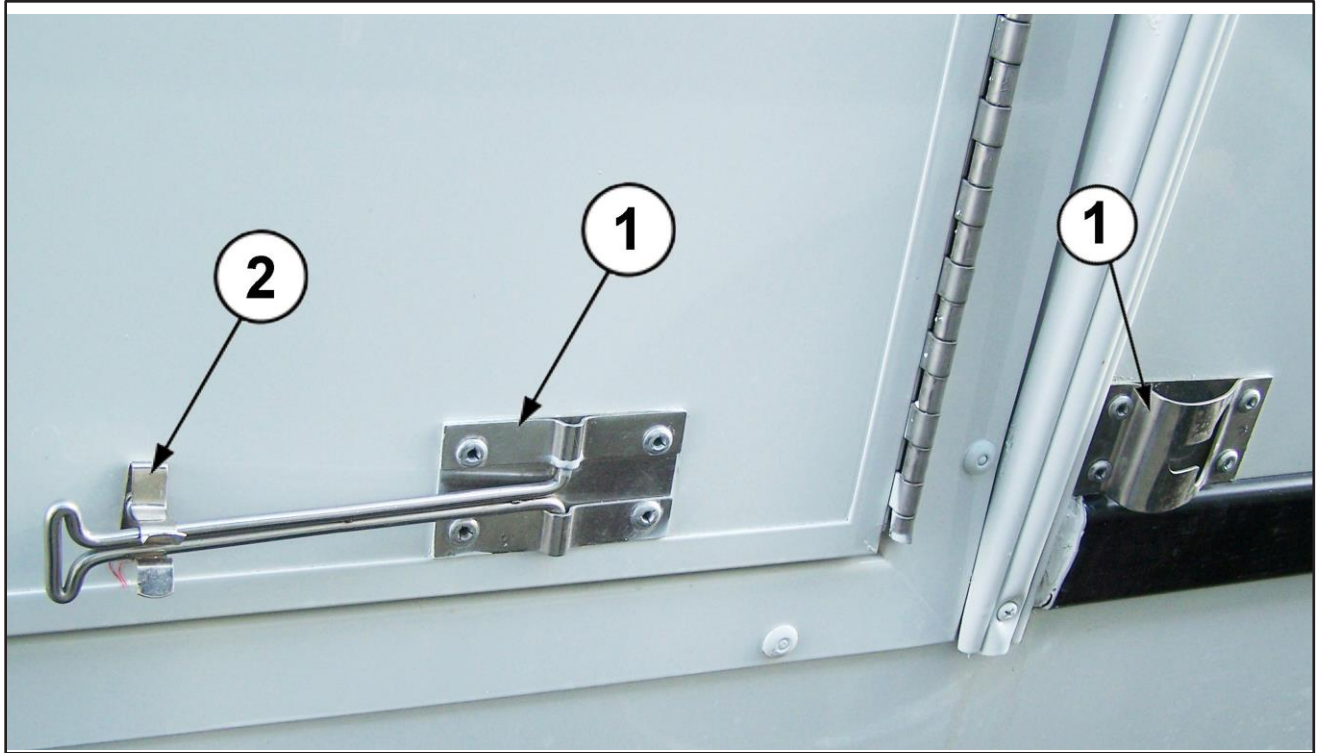
PARATRANSIT DOOR EXTERIOR TRIM
0416960 / 0403388

<i>ITEM</i>	<i>PART NO.</i>	<i>DESCRIPTION</i>	<i>QTY</i>	<i>ITEM</i>	<i>PART NO.</i>	<i>DESCRIPTION</i>	<i>QTY</i>
1	4541124P	EDGE, ROOF (POLAR WHITE #2000) 16'	A/R				
2	8570931	SCREW (8 x 1 PAN QUAD TEK) CLEAR EMPI	40				
03	3341237P	INSERT, POLAR WHITE (#101) 1000'	A/R				
04	0377694	RAIL, DRIP (1.25 X 14')	1				
N/S	8570808	POP-RIVET, ALUMINUM (3/16 x .376-.500 GRP)	4				
N/S	8570933	SCREW (8 x 1 PAN QUAD T2) CLEAR EMPIGUARD	4				



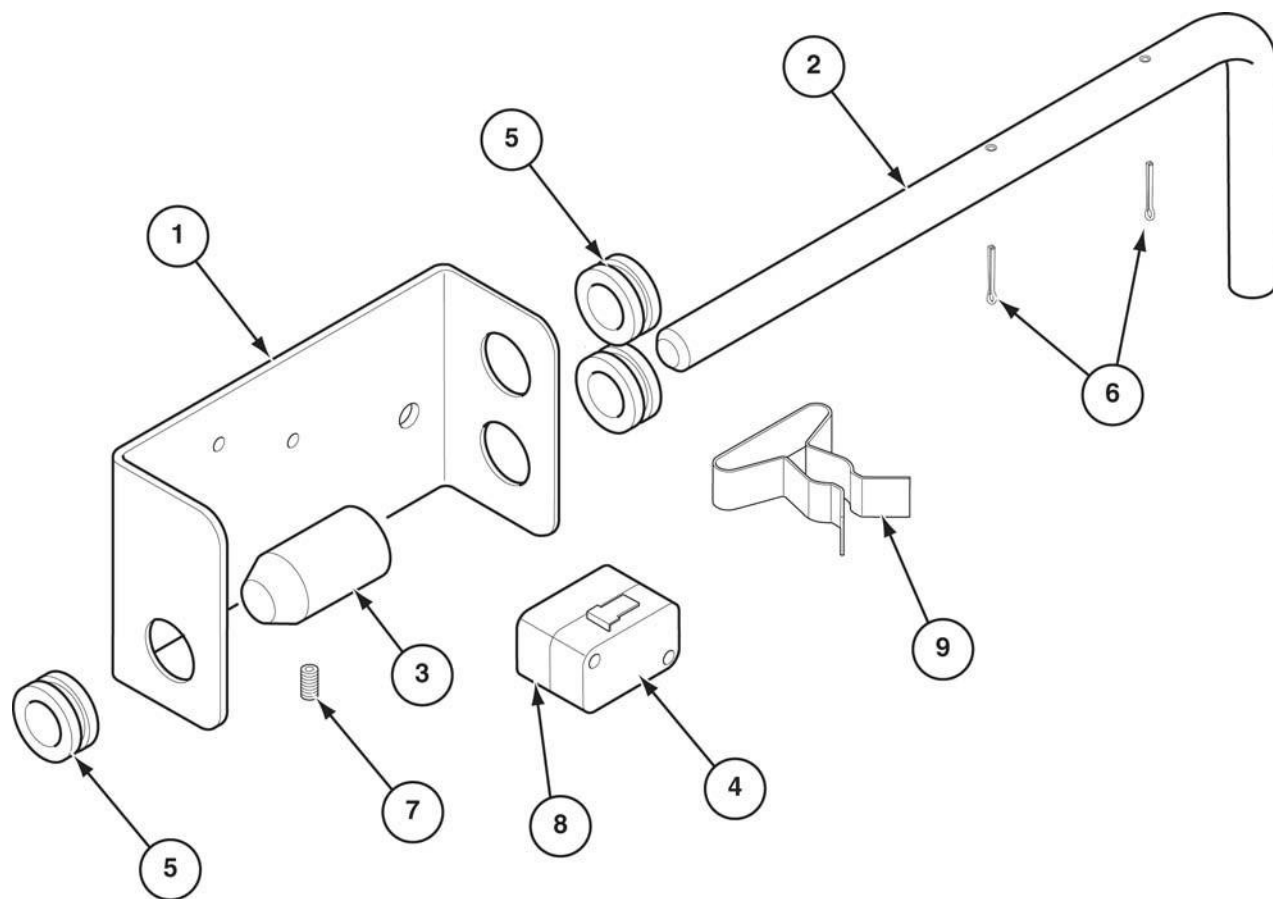
REAR LIFT DOOR INTERIOR TRIM
0416960 / 0409843

<i>ITEM</i>	<i>PART NO.</i>	<i>DESCRIPTION</i>	<i>QTY</i>	<i>ITEM</i>	<i>PART NO.</i>	<i>DESCRIPTION</i>	<i>QTY</i>
1	3371228	COVER, PARADOOR REAR POST	1				
2	3371244	COVER, PARADOOR FRONT POST	1				
3	3371229	COVER, LITEBAR TO PARADOORADAPTER	1				
N/S	3973020	SWITCH, MAGNETIC (808-1005)	2				
N/S	4970493	GROMMET, RUBBER (7/16")	2				
N/S	3371079	COVER, LIFT DOOR JAMB SWITCH	2				



rear door holder - latch 6"
0418316 / 0418315

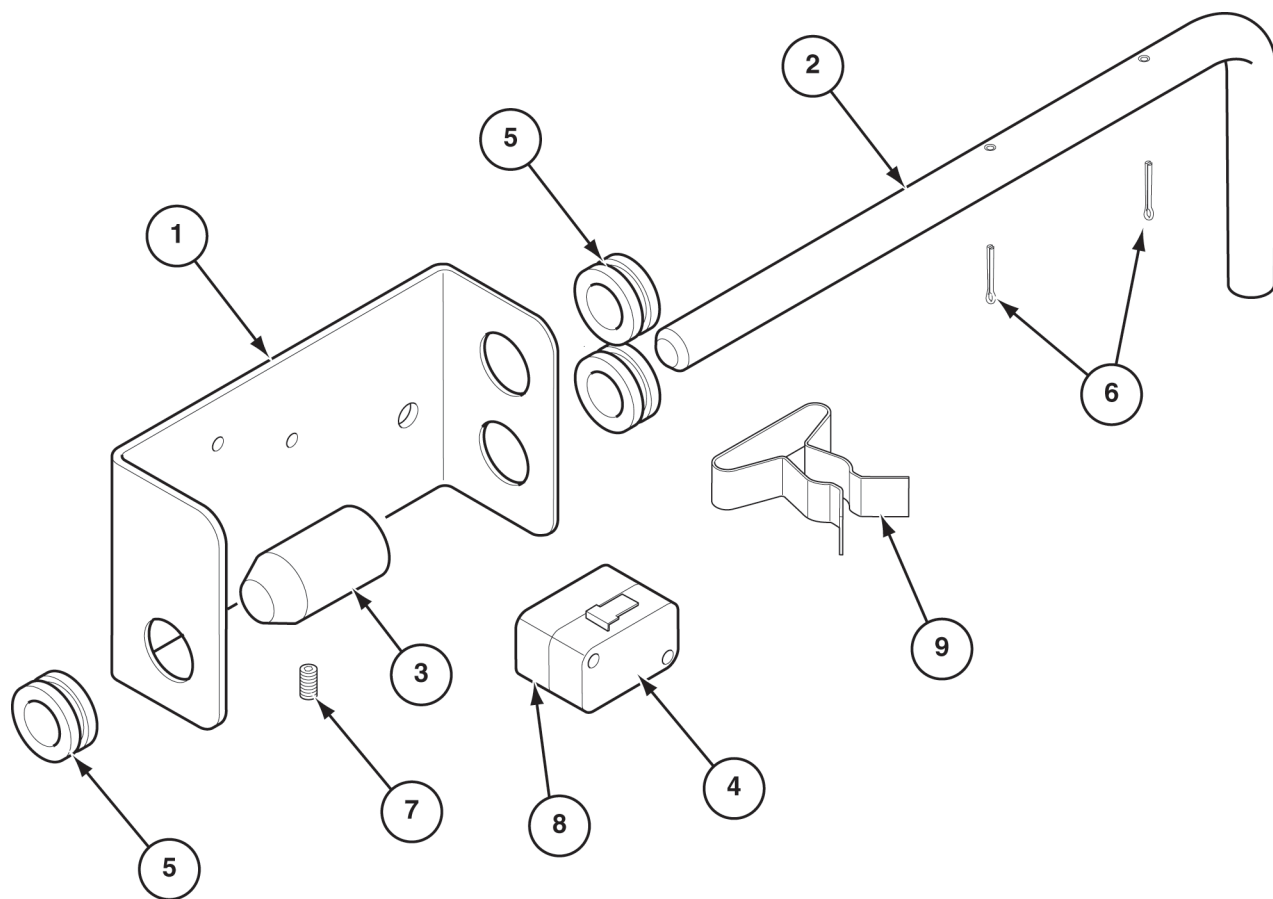
<i>ITEM PART NO. DESCRIPTION</i>	<i>QTY</i>	<i>ITEM PART NO. DESCRIPTION</i>	<i>QTY</i>
01 4570187 Holder, Door 6" S/S	1		
02 8571308 Holder, Spring Action	1		
NS 0364836 Steel, Flat 16GA x 3" x 96"	AR		



REAR DOOR LOCK BARREL BOLT

CX-000-900-4058 - 0412358

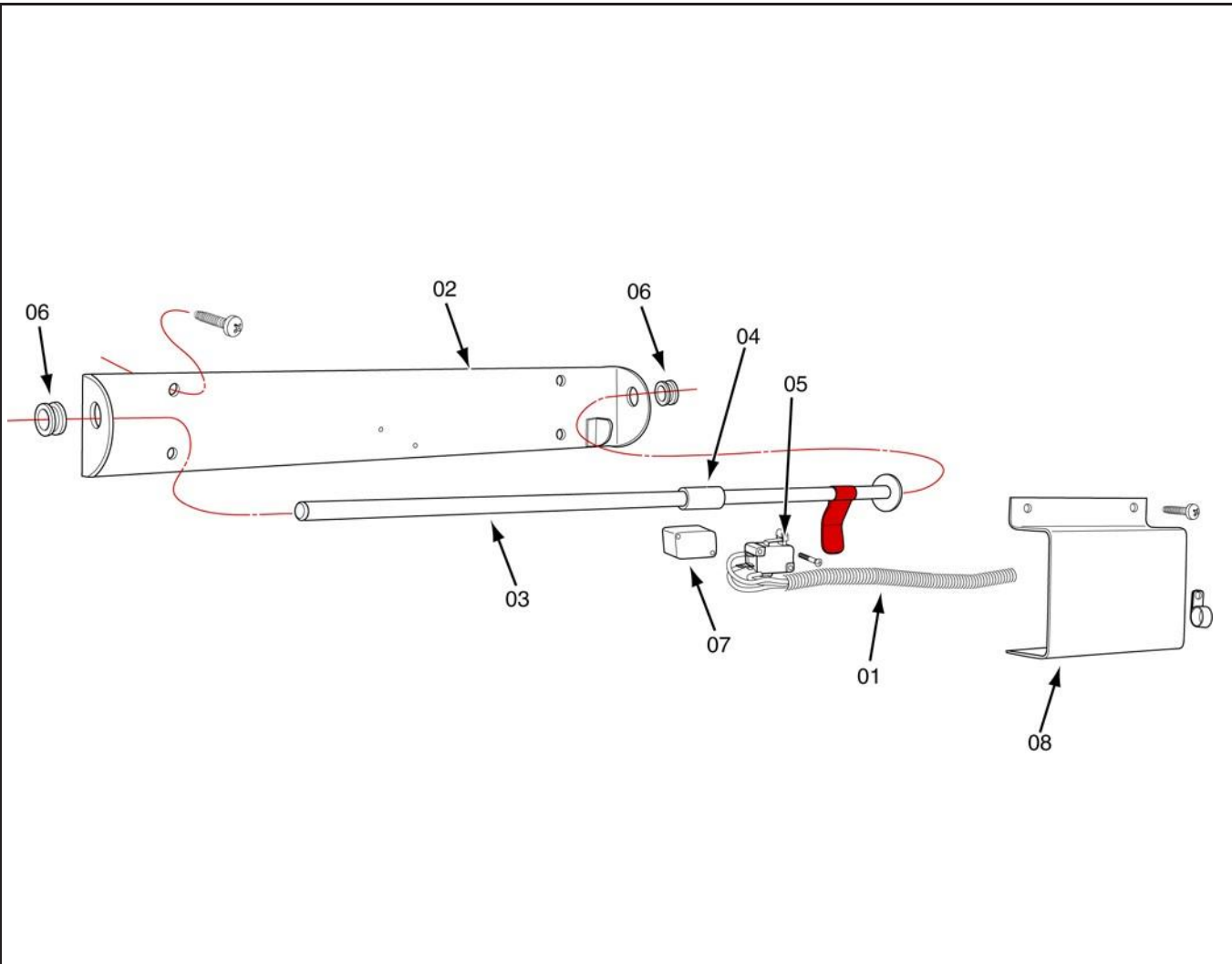
<i>ITEM PART NO.</i>	<i>DESCRIPTION</i>	<i>QTY</i>	<i>ITEM PART NO.</i>	<i>DESCRIPTION</i>	<i>QTY</i>
1	0377521 BRACKET, REAR DOOR LOCK BARREL BOLT	1			
2	0377522 ROD, REAR DOOR LOCK BARREL BOLT	1			
3	0374300 SLEEVE, DOOR LOCK	1			
4	3971790 SWITCH, MICRO w/ROLLER LEVER	1			
05	3971506 BUSHING, SNAP 1/2"	3			
06	8570210 COTTER-PIN (3/32" x 1 1/4")	2			
07	8670860 SET-SCREW (6-32 x 1/4)	1			
8	3970894 SPACER, SWITCH	1			
9	8571308 HOLDER, SPRING ACTION	1			
N/S	0377815 BRACKET, REAR DOOR LATCH STIF SPRING	1			



rear door lock barrel bolt & dash light

cX0000054058 - 0412358

ITEM PART NO. DESCRIPTION	QTY	ITEM PART NO. DESCRIPTION	QTY
1 0377521 BRACKET,REAR DOOR LOCK BARREL BOLT	1	07 8670860 SET-SCREW (6-32 x 1/4)	1
2 0377522 ROD,REAR DOOR LOCK BARREL BOLT	1	8 3970894 SPACER, SWITCH	1
3 0374300 SLEEVE, DOOR LOCK	1	9 8571308 HOLDER, SPRING ACTION	1
4 3971790 SWITCH, MICRO w/ROLLER LEVER	1	N/S 4370103 SWITCH COVER, STEEL BLACK HIDE 26GA 48X96	1
05 3971506 BUSHING, SNAP 1/2"	3	N/S 3973085 LIGHT, BUZZ NO ENTGRAVING	1
06 8570210 COTTER-PIN (3/32" x 1 1/4")	2		



INSTALL IGNITION REAR DOOR INTERLOCK CH-000-900-0140

ITEM	PART NO.	DESCRIPTION	QTY	ITEM	PART NO.	DESCRIPTION	QTY
1	NSS	WIRE HARNESS	1				
2	0400926	LOCK, REAR DOOR	1				
3	0374298	ROD, DOOR LOCK	1				
4	0374300	SLEEVE, DOOR LOCK	1				
5	3971790	SWITCH, MICROW/ROLLER LEVER	1				
06	3971506	BUSHING, SNAP (1/2")	2				
7	3970894	SPACER, SWITCH	1				
8	0413579	COVER, SWITCH DOOR	1				



keyed entry door switch
0421732 - 3975909

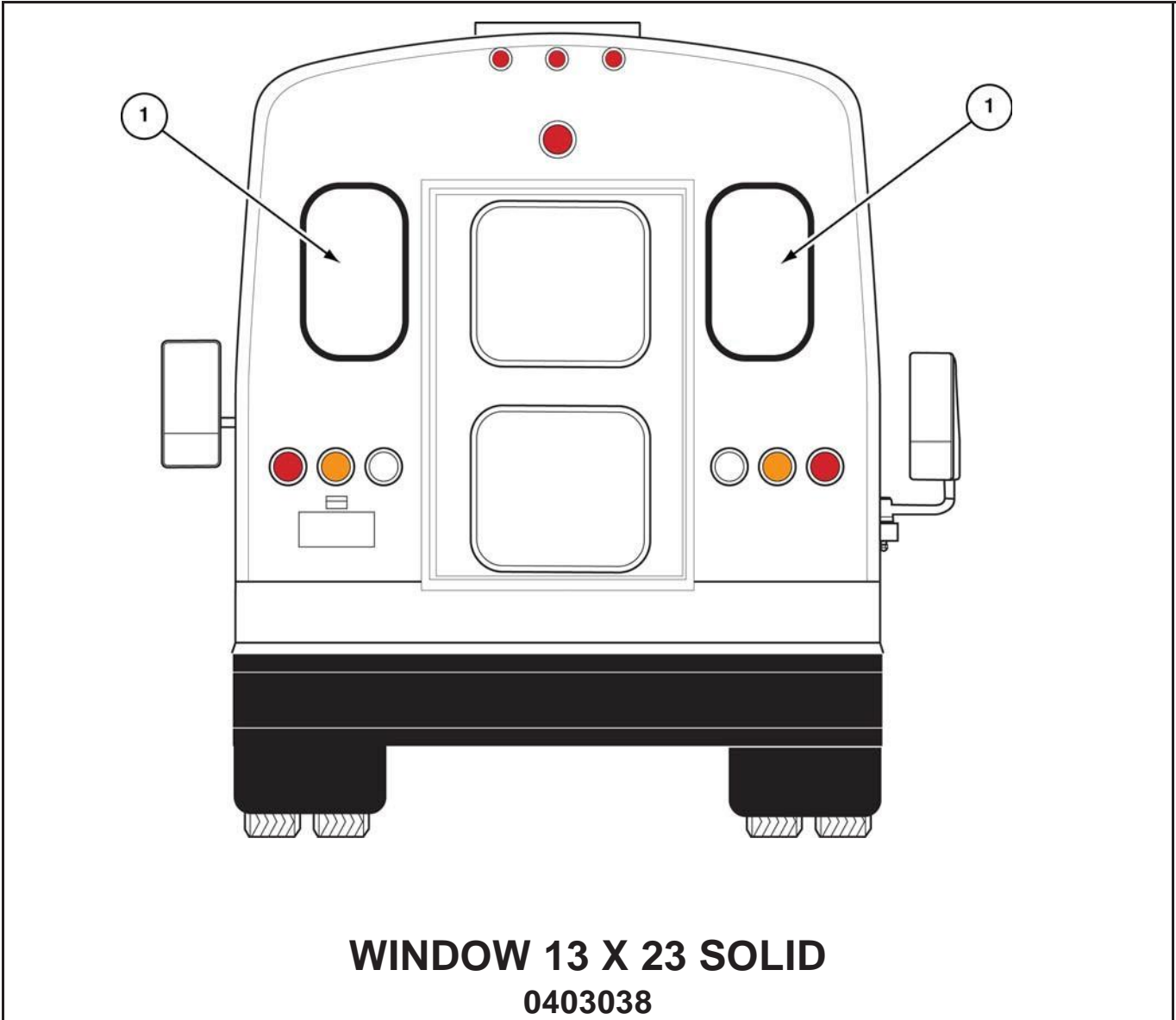
<i>ITEM</i>	<i>PART NO.</i>	<i>DESCRIPTION</i>	<i>QTY</i>	<i>ITEM</i>	<i>PART NO.</i>	<i>DESCRIPTION</i>	<i>QTY</i>
01	3975909	Switch, Keyed Entry Door	AR				



CHAMPION
BUS, INC.
Thor Industries Commercial Bus Division

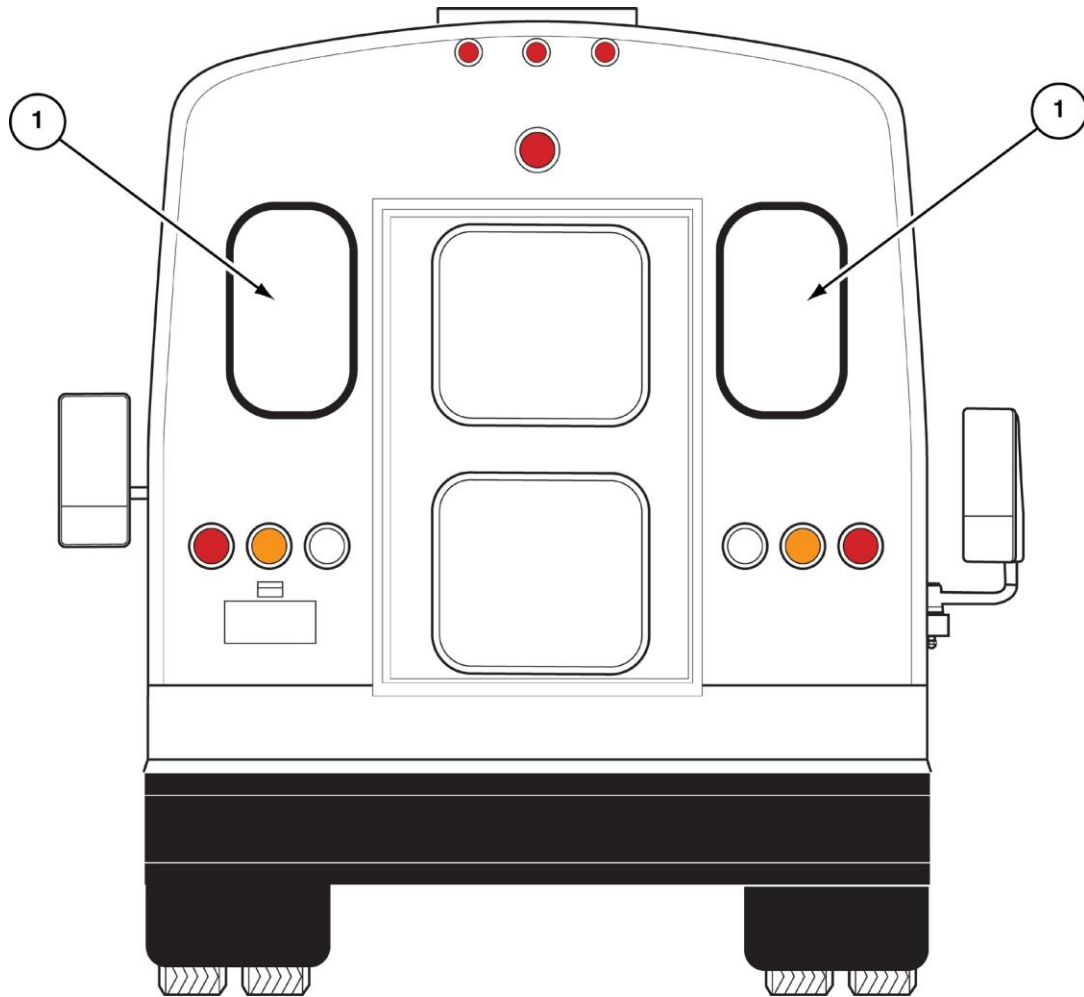
SECTION 6:

wINdOwS



WINDOW 13 X 23 SOLID
0403038

<i>ITEM PART NO. DESCRIPTION</i>	<i>QTY</i>	<i>ITEM PART NO. DESCRIPTION</i>	<i>QTY</i>
01 5940705 WINDOW,5464-232-132-2821-021	2		



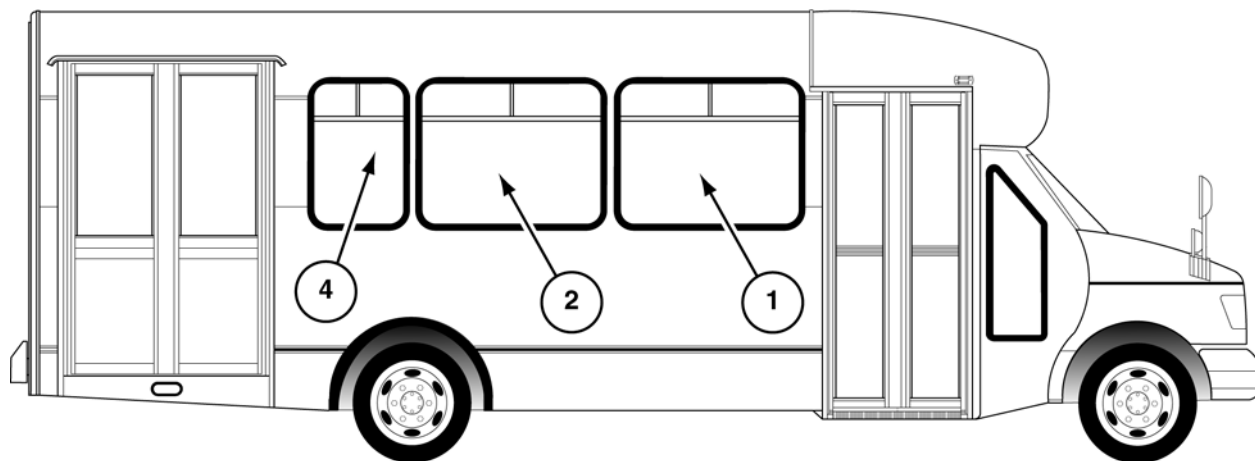
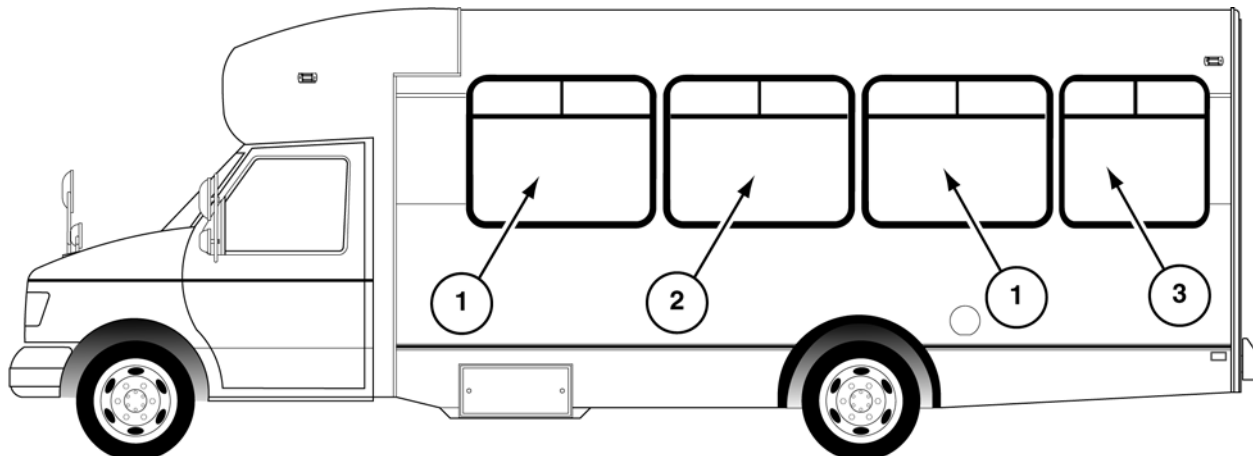
BACKWALL WINDOWS
CX0000052956

<i>ITEM PART NO.</i>	<i>DESCRIPTION</i>	<i>QTY</i>	<i>ITEM PART NO.</i>	<i>DESCRIPTION</i>	<i>QTY</i>
01	5940705 WINDOW (13" x 23")	2			
N/S	8970545 SEAL, WINDOW	1			



WING WINDOW
0402620

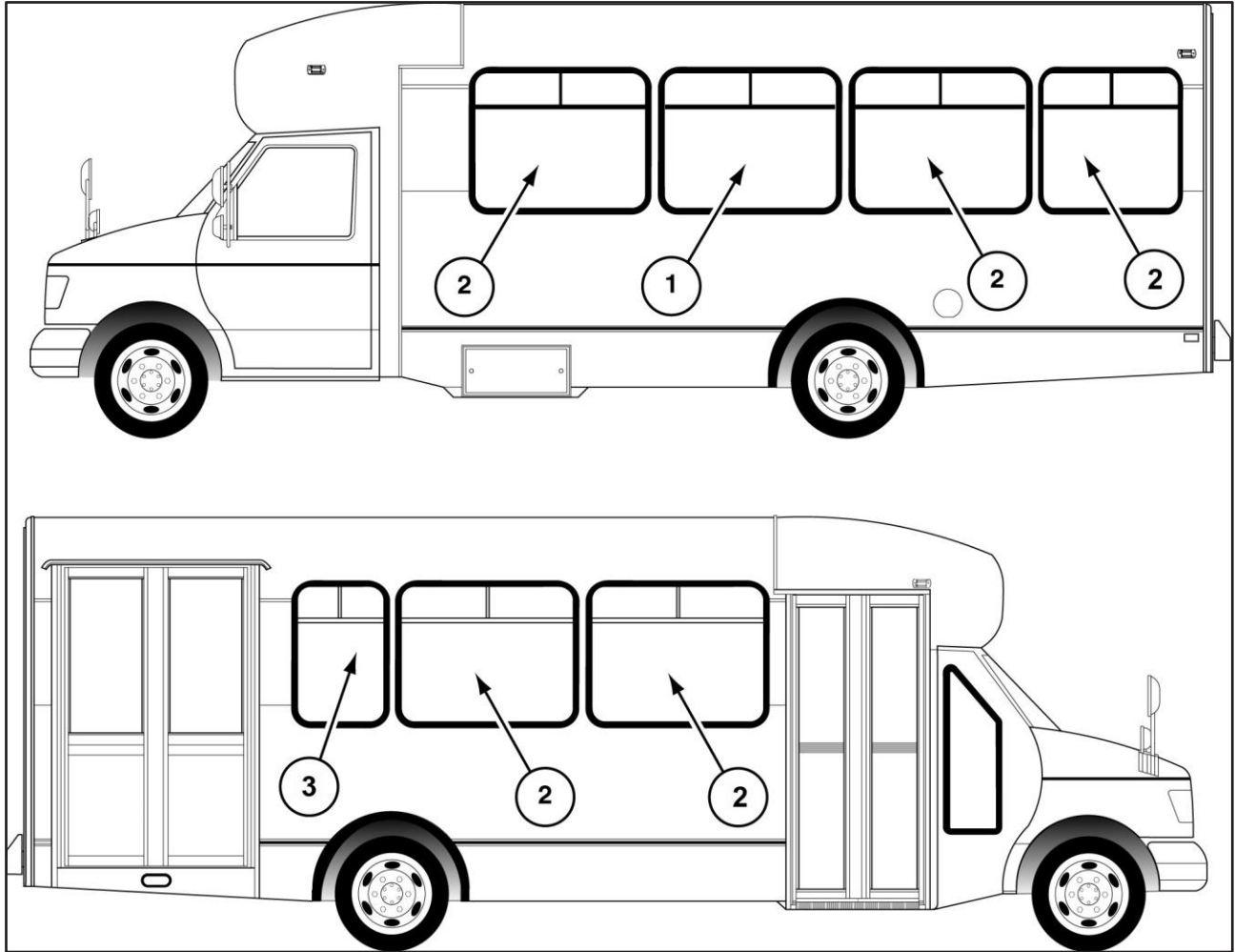
<i>ITEM PART NO. DESCRIPTION</i>	<i>QTY</i>	<i>ITEM PART NO. DESCRIPTION</i>	<i>QTY</i>
01 5970090 WINDOW, WING	1		



WINDOWS

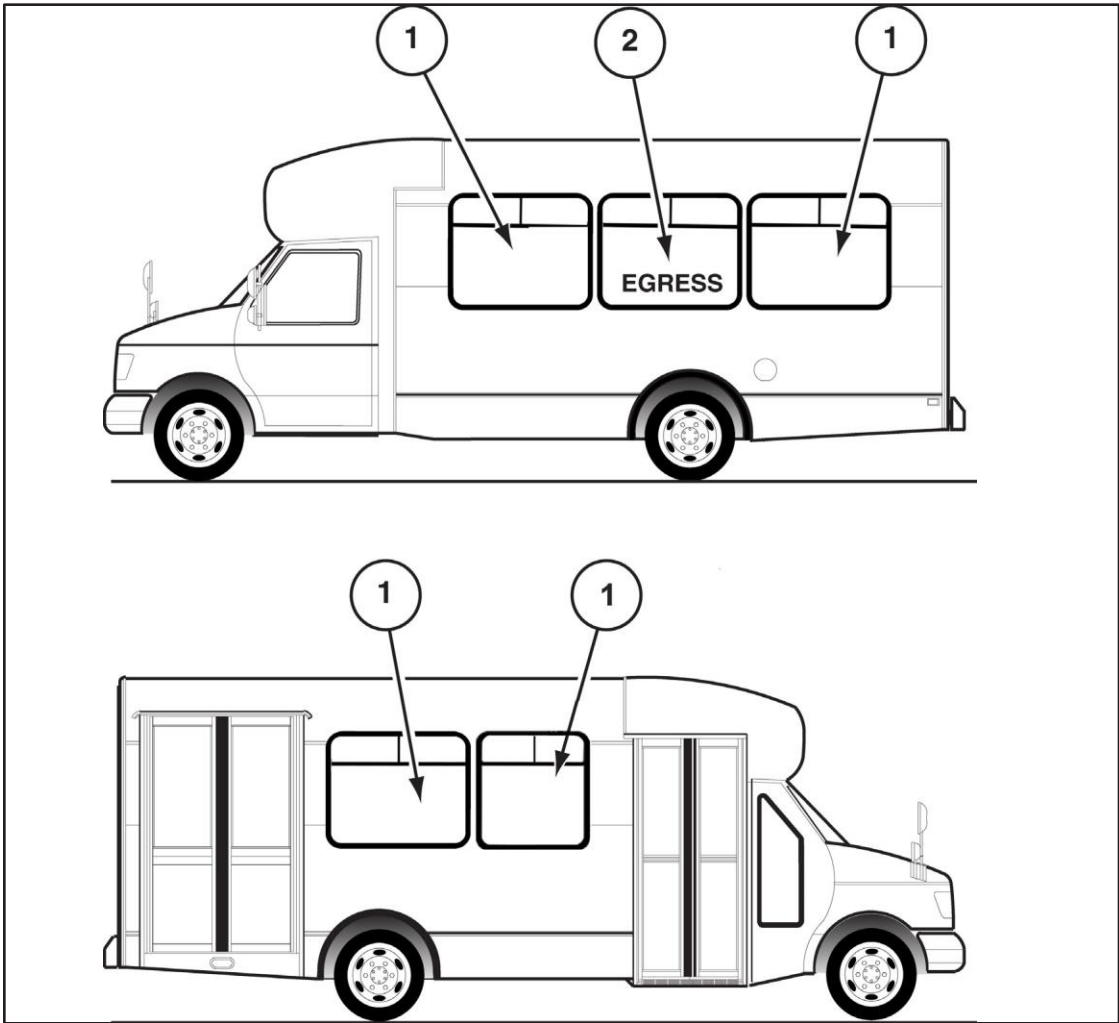
0413669

<i>ITEM PARTNO. DESCRIPTION</i>	<i>QTY</i>	<i>ITEM PARTNO. DESCRIPTION</i>	<i>QTY</i>
1 5970953 WINDOW, 36.38x46.5 SINGLE CENTER SLIDER	3		
2 5970954 WINDOW, 36.38x36.5 SGL CENTER SL. EGRESS	1		
3 5970955 WINDOW, 36.38x36.5 SINGLE CENTER SLIDER	2		
4 5970957 WINDOW, 36.38x24.50 SINGLE CENTER SLIDER	1		
N/S 8970545 SEAL, WINDOW	A/R		



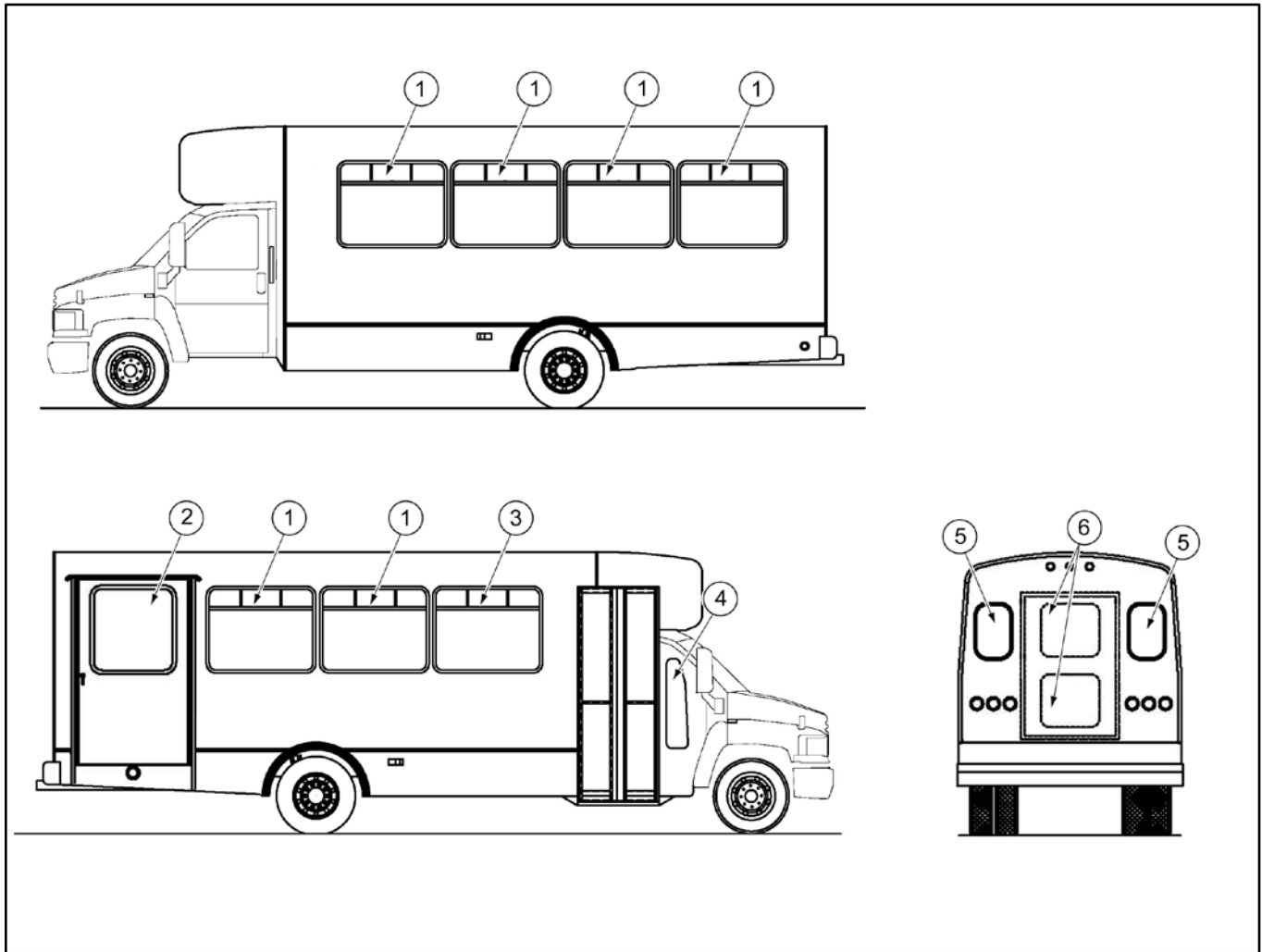
PASSENGER WINDOWS - CH251 0414273

<i>ITEM PART NO. DESCRIPTION</i>	<i>QTY</i>	<i>ITEM PART NO. DESCRIPTION</i>	<i>QTY</i>
1 5970954 WINDOW, 36.38 x 46.5 EGRESS SNGL CTR	1		
2 5970953 WINDOW, 36.38 x 46.5 SNGL CTR SLIDE	5		
3 5970957 WINDOW, 36.38 x 24.5 SNGL CTR SLIDE	1		
N/S 8971071 TAPE, BUTYL COATED FOAM 7MM DIA	A/R		



**windows, ch231 gmt
0413631**

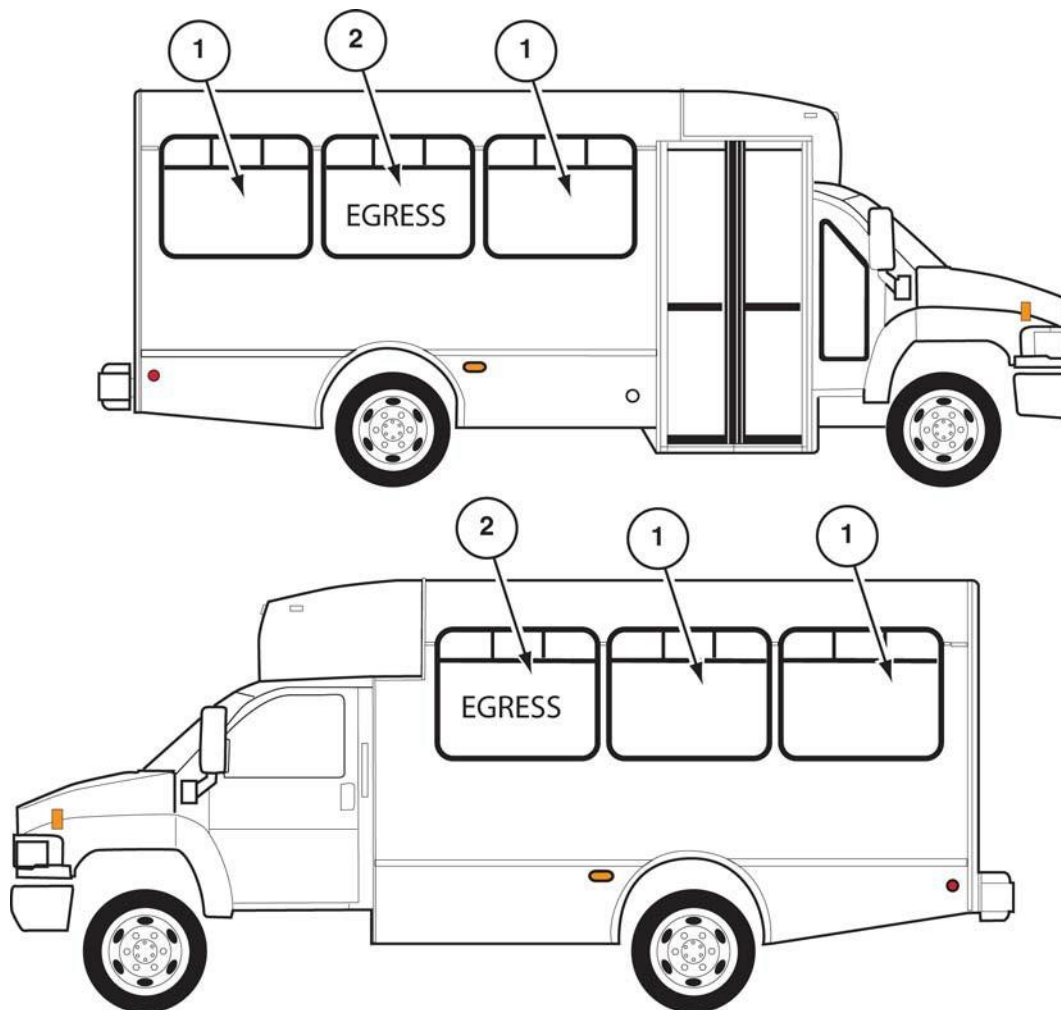
<i>ITEM PART NO. DESCRIPTION</i>	<i>QTY</i>	<i>ITEM PART NO. DESCRIPTION</i>	<i>QTY</i>
01 5970953 Window, 36.38 x 46.5 Single Ctr Slide	3		
02 5970954 Window, 36.38 x 46.5 Egress	2		



WindoWs, CH270 RL

0413609 / 0413656

<i>ITEM PART NO. DESCRIPTION</i>	<i>QTY</i>	<i>ITEM PART NO. DESCRIPTION</i>	<i>QTY</i>
01 5970954 Window, 36.38X46.5	6		
02 5970896 Window, 33.38X36.50	1		
03 5970956 Window, 36.38X36.5	1		
04 5970622 Window, Wing	1		
05 5940705 Window, Rear Wall	2		
06 5970874 Window, 24 X 22	2		



WINDOWS

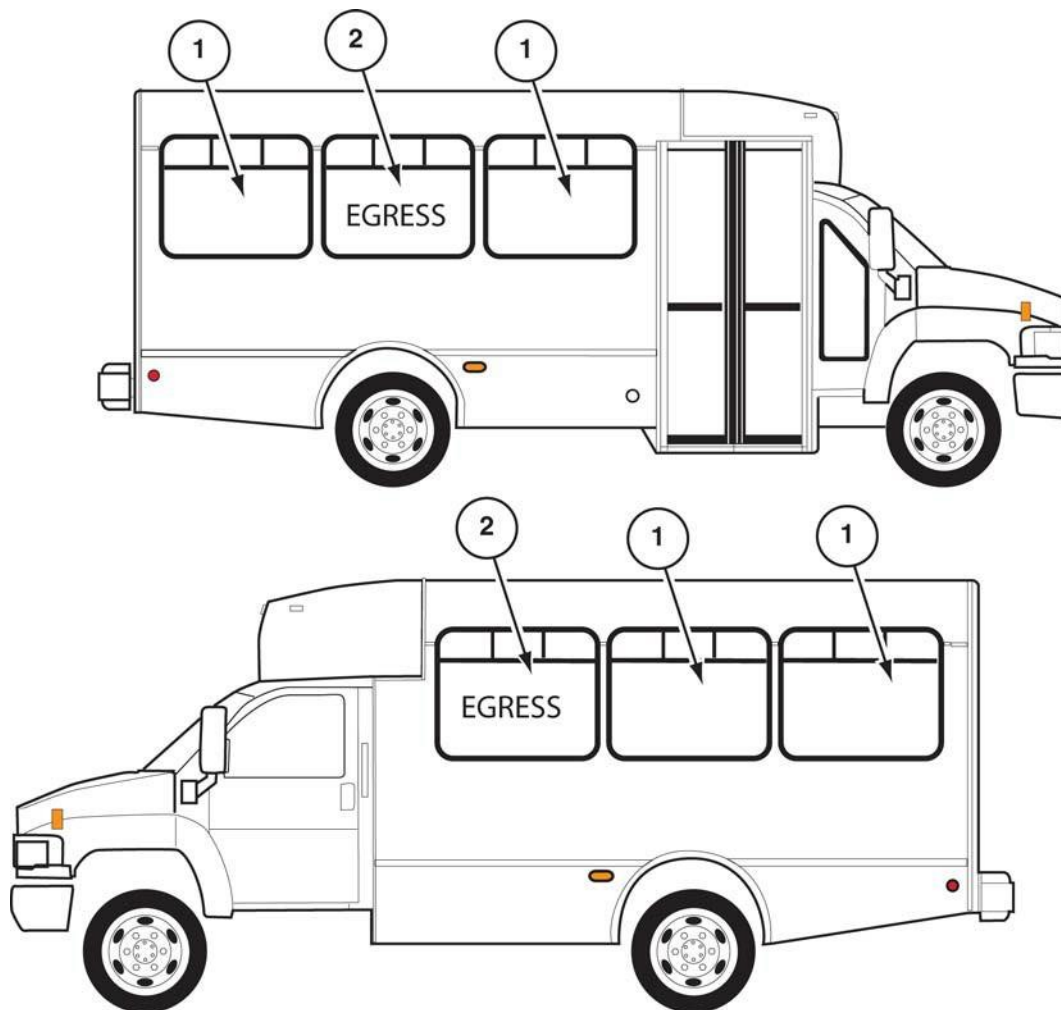
0413633

<i>ITEM PART NO. DESCRIPTION</i>	<i>QTY</i>	<i>ITEM PART NO. DESCRIPTION</i>	<i>QTY</i>
1 5970953 WINDOW, (36.38 X 46½) SINGLE CENTER SLIDE	4		
2 5970954 WINDOW, (36.38 x 46½) SGL CENTER SL. EGRESS	2		
N/S 8971027 SEAL, BULB (1/2 x 1/2) CLEAN SEAL 101	A/R		



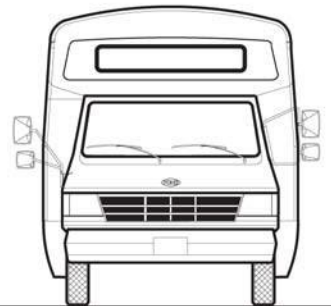
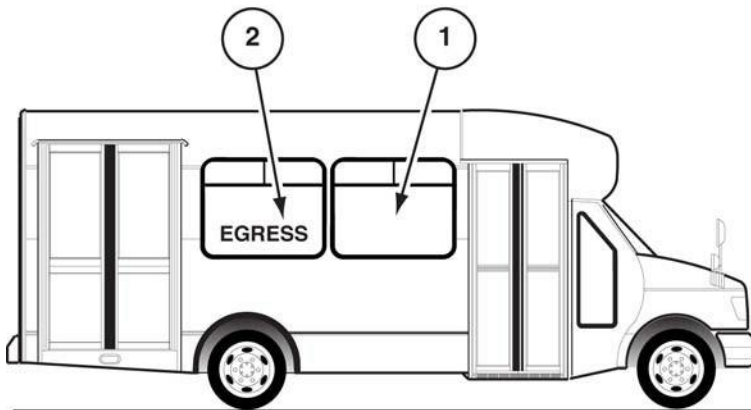
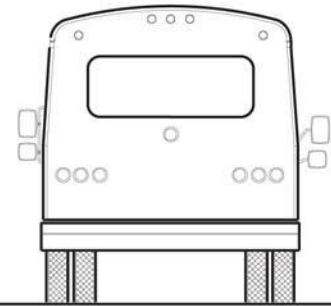
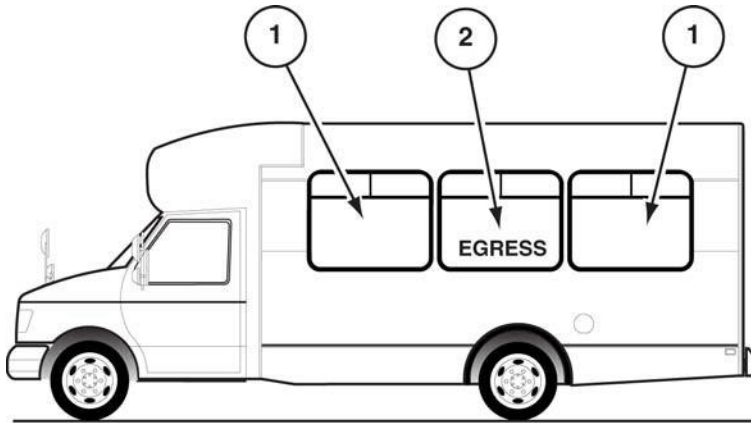
Install, Window gm211r single 0413549

<i>ITEM PART NO. DESCRIPTION</i>	<i>QTY</i>	<i>ITEM PART NO. DESCRIPTION</i>	<i>QTY</i>
N/S 0413299 Install, Window 36.38x24.50 Single	1		
N/S 0413231 Install, Window 36.38x46.50 Flat	2		
N/S 0413232 Install, Window 36.38x46.50 EGR	2		



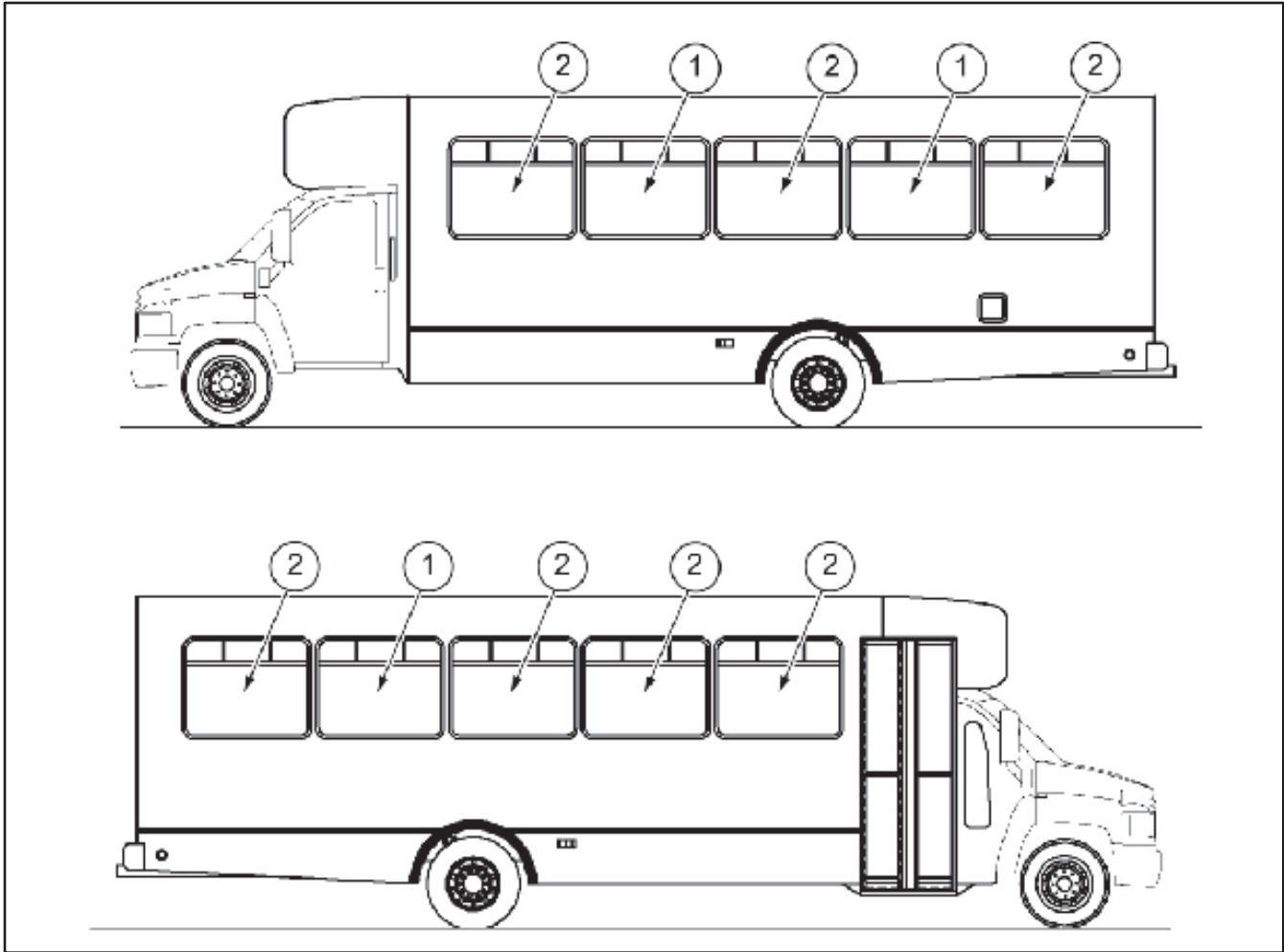
WINDOWS 0413637

<i>ITEM PART NO. DESCRIPTION</i>	<i>QTY</i>	<i>ITEM PART NO. DESCRIPTION</i>	<i>QTY</i>
1 5970953 WINDOW, (36.38 X 46½) SINGLE CENTER SLIDE	4		
2 5970954 WINDOW, (36.38 x 46½) SGL CENTER SL. EGRESS	2		
N/S 8971027 SEAL, BULB (1/2 x 1/2) CLEAN SEAL 101	A/R		



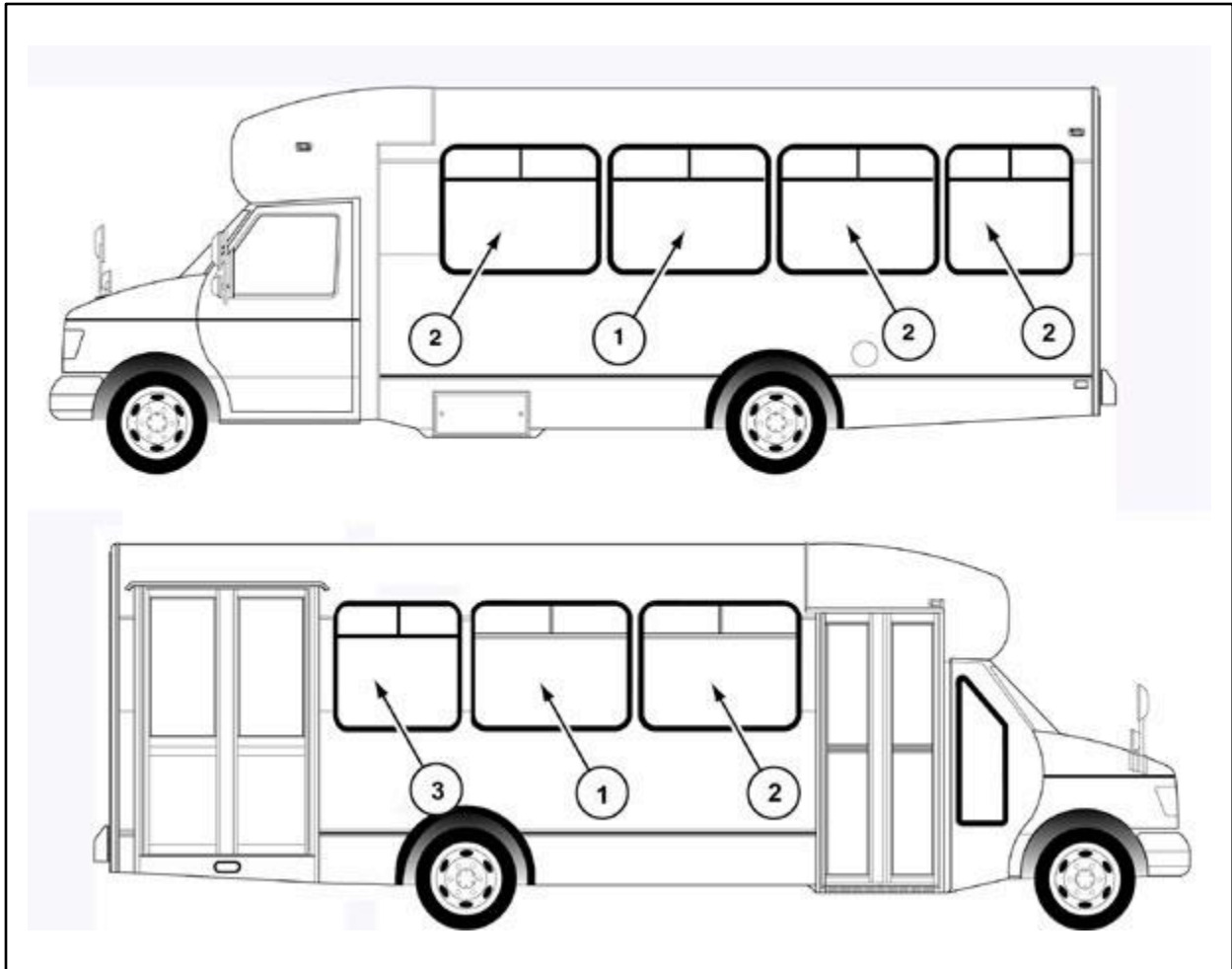
PASSENGER WINDOWS (CH231RF) 0413628

<i>ITEM PARTNO. DESCRIPTION</i>	<i>QTY</i>	<i>ITEM PARTNO. DESCRIPTION</i>	<i>QTY</i>
01 5970953 WINDOW (36.38 x 46½) SIGL CTR SLIDE	3		
02 5970954 WINDOW EGRESS (36.38 x 46½) SGL CTR SLIDE	2		
N/S 8971027 SEAL BULB (½ x ½)	A/R		



**PASSENGER WINDOWS 27' GM560
0413662**

<i>ITEM PART NO. DESCRIPTION</i>	<i>QTY</i>	<i>ITEM PART NO. DESCRIPTION</i>	<i>QTY</i>
1 5970954 WINDOW, 36.38 x 46.50 SGL CNTR EGRESS	3		
2 5970953 WINDOW, 36.38 x 46.50 SGL CNTR SLIDE	5		
03 5970955 WINDOW, 36.38 x 36.50 SOLID FLAT			
2			
N/S 8970545 SEAL, FRNT ENTRY, WINDOW & DEST	A/R		



PASSENGER WINDOWS (CH251RL-FF) 0413742

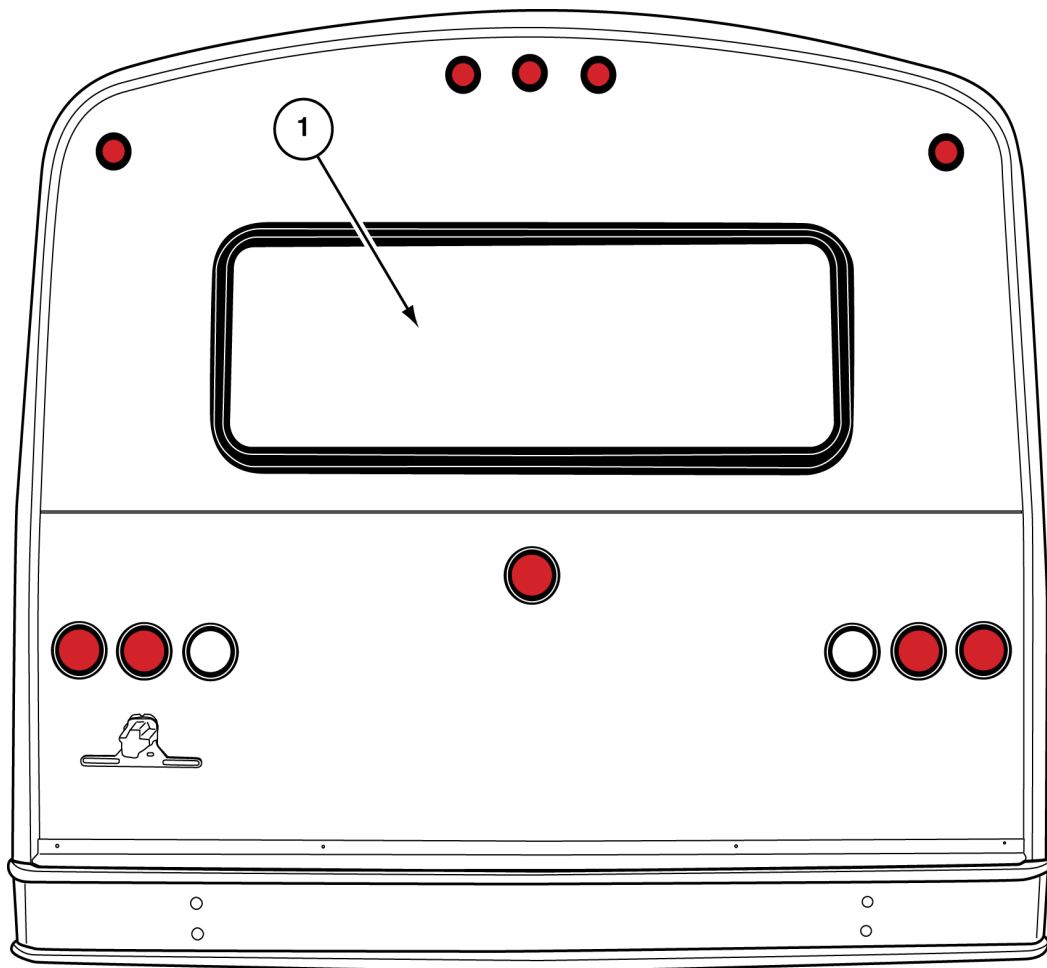
<i>ITEM</i>	<i>PART NO.</i>	<i>DESCRIPTION</i>	<i>QTY</i>	<i>ITEM</i>	<i>PART NO.</i>	<i>DESCRIPTION</i>	<i>QTY</i>
1	5970954	WINDOW, 36.38 x 46.5 SGL CENTER SL. EGRESS	2				
2	5970953	WINDOW, 36.38 x 46.5 SINGLE CENTER SLIDER	3				
04	5970957	WINDOW, 36.38 x 36.50 SINGLE CENTER SLIDER	2				
NS	8970836	TAPE, SEALANT LIGHT BAR	AR				

NOTE: Location of each window size may not match exactly to every bus.

PICTURE NOT AVAILABLE AT THIS TIME

Windows df251F single t 30" 0414337 / 0413232, 0413231, 0413233, 0413299

<u>ITEM PART NO. DESCRIPTION</u>	<u>QTY</u>	<u>ITEM PART NO. DESCRIPTION</u>	<u>QTY</u>
NS 5970954 Window, 36.38 x 46.50 Egr Single	1		
NS 5970953 Window, 36.38 x 46.50 Flat Single	3		
NS 5970955 Window, 36.38 x 36.50 Flat Single	2		
NS 5970957 Window, 36.38 x 24.50 Single	1		



REAR WINDOW
0406553

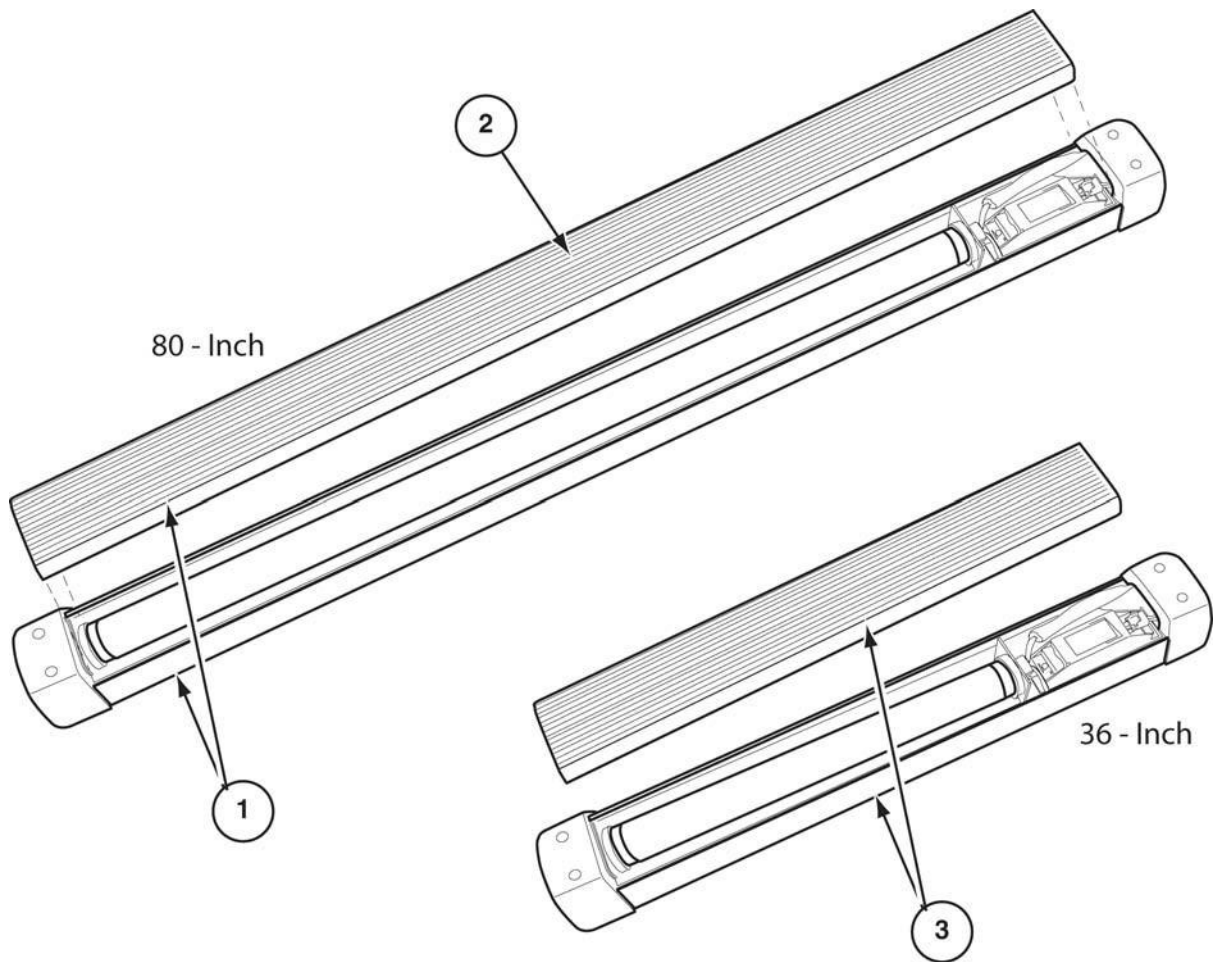
<i>ITEM PART NO. DESCRIPTION</i>	<i>QTY</i>	<i>ITEM PART NO. DESCRIPTION</i>	<i>QTY</i>
01 5970515 WINDOW, REAR 22 x 60 W/DOUBLE HANDLES	1		
N/S 8970545 SEAL, WINDOW	A/R		



CHAMPION
BUS, INC.
Thor Industries Commercial Bus Division

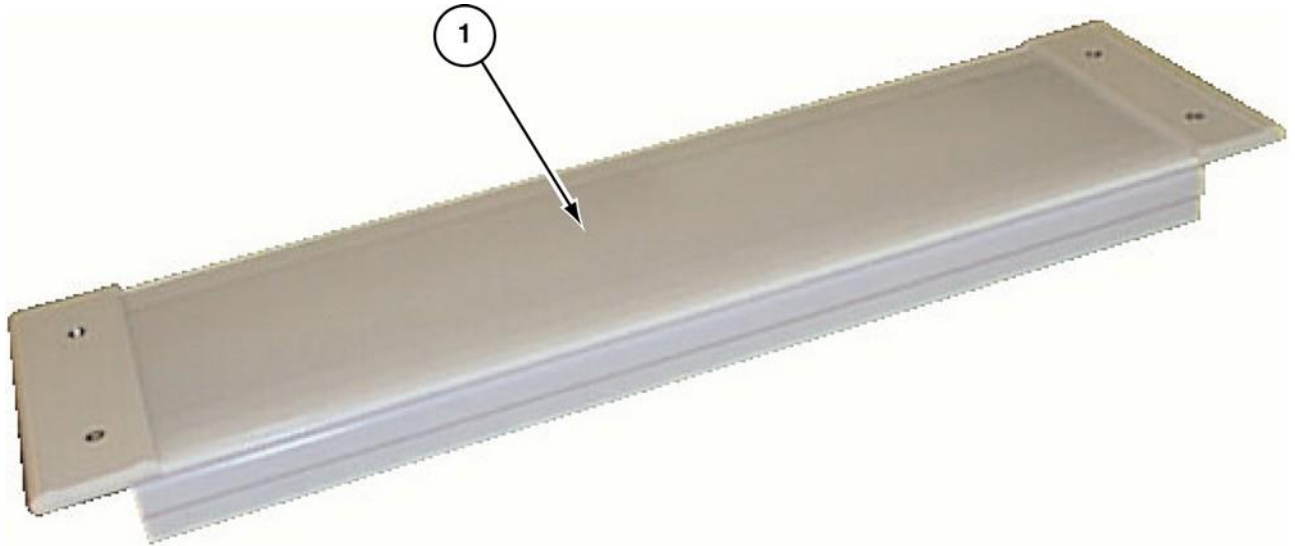
SECTION 7:

LighTING



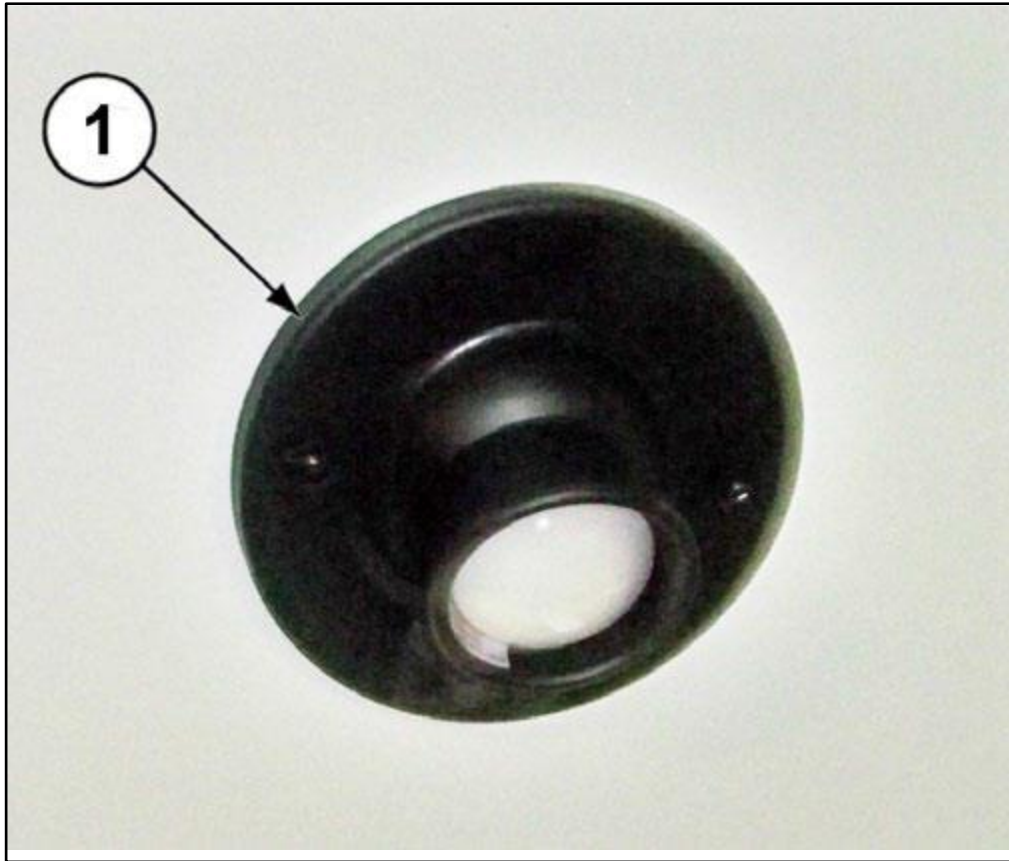
LIGHT FLUORESCENT STRIP
0415529

<i>ITEM PART NO. DESCRIPTION</i>	<i>QTY</i>	<i>ITEM PART NO. DESCRIPTION</i>	<i>QTY</i>
01-02 3973508 LIGHT FLUORESCENT	1		
03 NOT INCLUDED			



INSTALL FLOURESCENT LIGHT 0414288

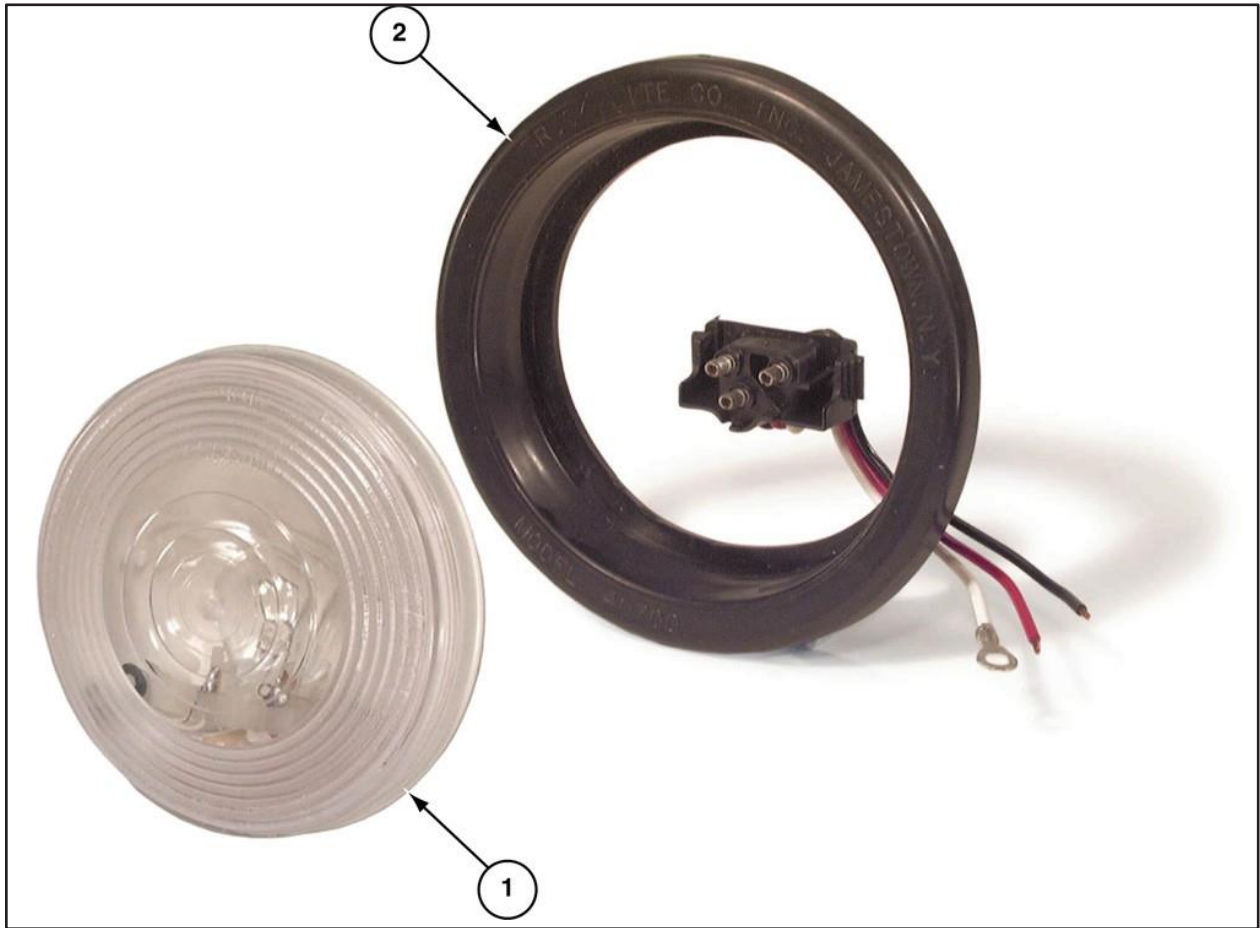
<i>ITEM PART NO. DESCRIPTION</i>	<i>QTY</i>	<i>ITEM PART NO. DESCRIPTION</i>	<i>QTY</i>
01 3973400 LIGHT, FLOURESCENT (FL SERIES)	1		
N/S 0413967 HARNESS, WIRE	1		



driver's swivel led light
0419123

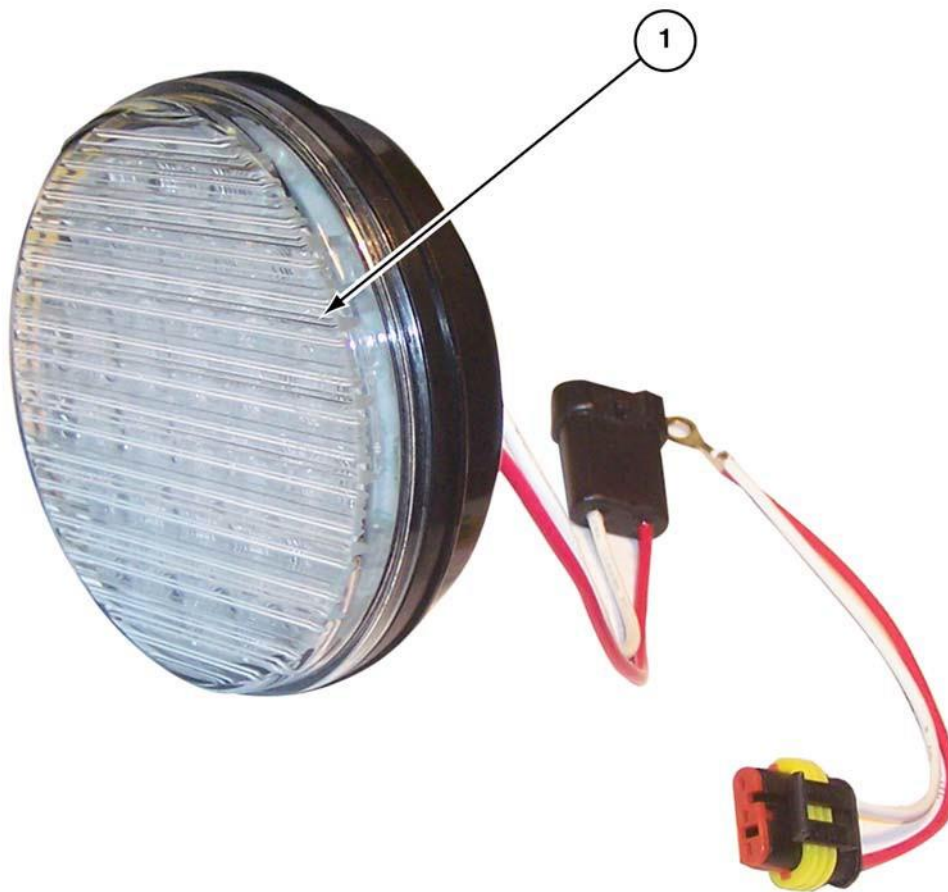
<u>ITEM</u>	<u>PART NO.</u>	<u>DESCRIPTION</u>	<u>QTY</u>	<u>ITEM</u>	<u>PART NO.</u>	<u>DESCRIPTION</u>	<u>QTY</u>
01	3975335	Light, Driver Swivel LED	1				

NOTE: Picture may not represent actual light.



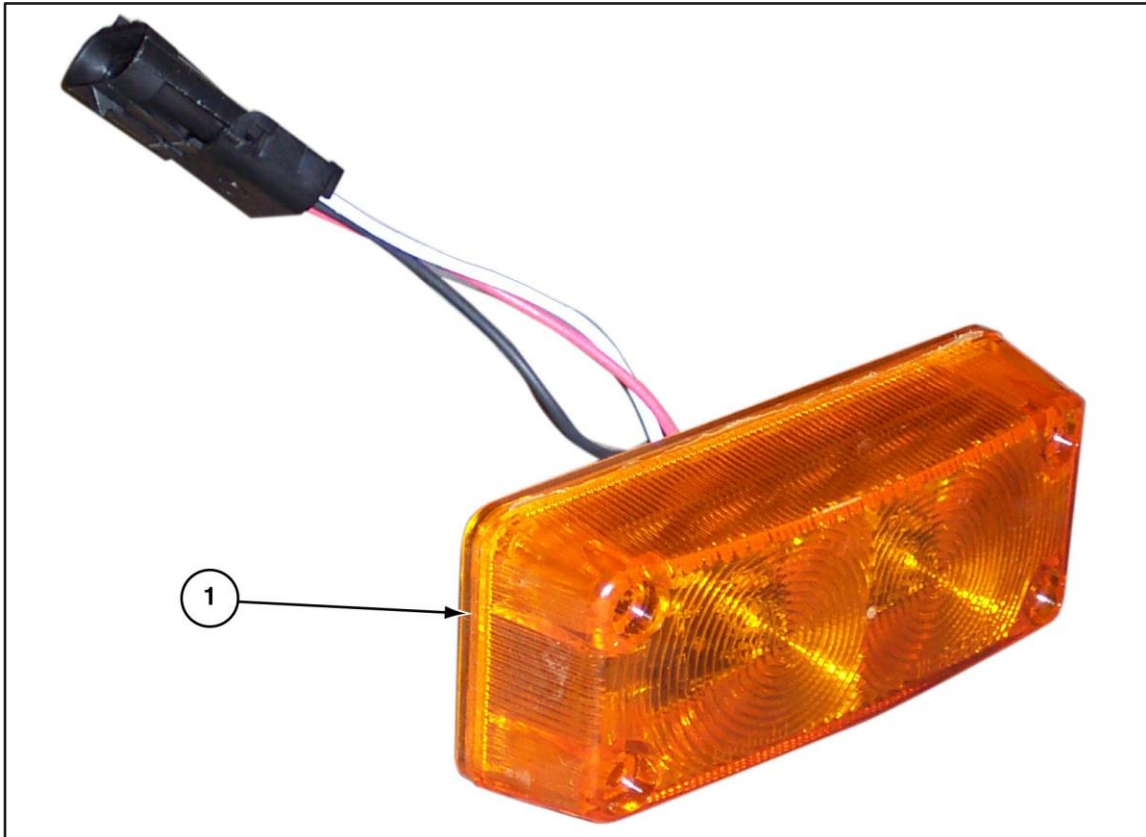
light, led entry p-dot 04157374

<i>ITEM PART NO. DESCRIPTION</i>	<i>QTY</i>	<i>ITEM PART NO. DESCRIPTION</i>	<i>QTY</i>
1 3973291 Light, LED 4" Clear Backup	1		
2 3371024 Bezel, 4" Round Interior Lift Light	1		



ADA EXTERIOR LIGHT
0415615

<i>ITEM PART NO. DESCRIPTION</i>	<i>QTY</i>	<i>ITEM PART NO. DESCRIPTION</i>	<i>QTY</i>
01 3973291 LIGHT, 4" DIA CLEAR LED (SOUND	2		



side directional lights
cX0000023104 / CH-000-998-3102L

<i>ITEM PART NO. DESCRIPTION</i>	<i>QTY</i>	<i>ITEM PART NO. DESCRIPTION</i>	<i>QTY</i>
01 3972795 Light, LED Side Marker Cntr	2		
NS 0403288 Harness, Side Directional	1		
NS 3971517 P-Clamp, Vinyl Coated Steel 5/8	3		
NS 3970068 Reflector, Rectangle Tape Red	2		
NS 3972862 Reflector, Mini Stick-On Rectangle	2		



L.E.D. SIDEMARKER LIGHT
0415671

<i>ITEM PART NO. DESCRIPTION</i>	<i>QTY</i>	<i>ITEM PART NO. DESCRIPTION</i>	<i>QTY</i>
01 3973470 LIGHT,L.E.D.SIDEMARKER	2		



CLEARANCE



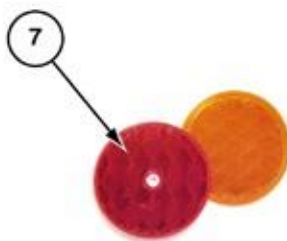
STOP/TURN/TAIL



BACKUP



LICENSE PLATE



REFLECTOR

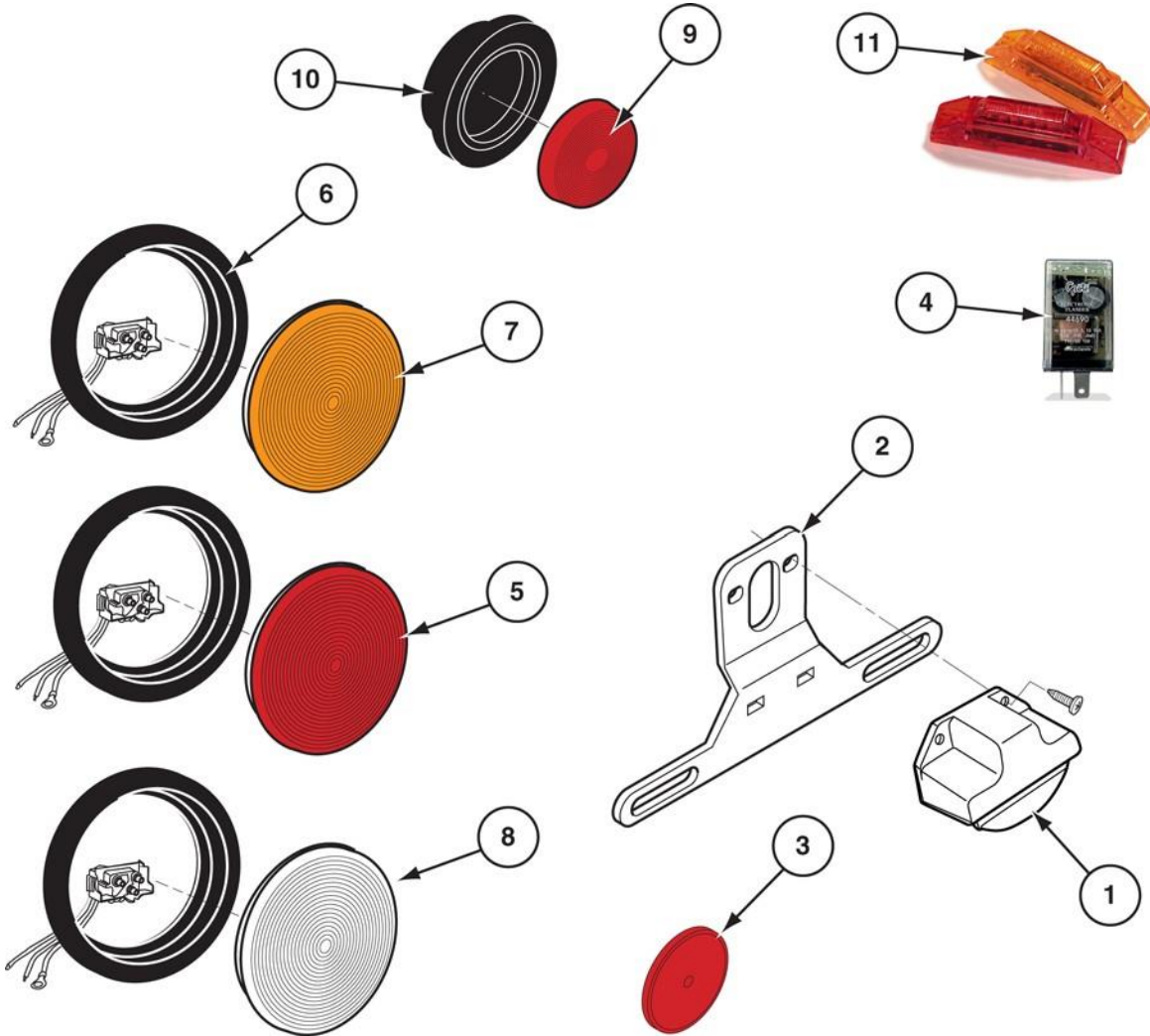


FLASHER

exterior LeD backwaLL Lights

0416963 / 0413226 / ch0000023286

ITEM	PART NO.	DESCRIPTION	QTY	ITEM	PART NO.	DESCRIPTION	QTY
1	3973290	LIGHT, LED (2½" RED, SOUND OFF)	7	N/S	3972996	PIGTAIL, LED EXIT	7
2	3971691	GROM, CLEARANCE LIGHT 2.5" ROUND	7	N/S	3371577	BEZEL, BACKWALL LIGHTS	2
3	3973293	LIGHT, LED STOP/TURN/TAIL RED 4"	4	N/S	3972566	PIGTAIL, MID-TURN SIGNAL	6
4	3974470	LIGHT, LED BACKUP	2	N/S	3970068	REFLECTOR, RECTANGULAR TAPERED	2
5	3972941	LIGHT, LICENSE PLATE	1				
6	3972942	BRACKET, LICENSE LIGHT TRUCK LITE	1				
7	3973915	REFLECTOR, RED 3" SCREW ON	2				
8	3973015	FLASHER, 16 AMP GROTE	1				
N/S	8970394	TAPE, WINDOW SEALEX 1/4x1/2x50	A/R				
N/S	3972774	HARNESS, BACKWALL	1				
N/S	3972773	HARNESS, REAR CLEARANCE LIGHTS	1				
N/S	3972986	GROMMET, RUBBER 4" TAIL LIGHT	6				



EXTERIOR LED BACKWALL LIGHTS 0413230

ITEM	PART NO.	DESCRIPTION	QTY	ITEM	PART NO.	DESCRIPTION	QTY
1	3972941	LIGHT, LICENSE PLATE	1				
2	3972942	BRACKET, LICENSE PLATE	1				
03	3973915	REFLECTOR 3"	2				
04	3973015	FLASHER 16 AMP	1				
05	3973028	LIGHT, LED STOP/TAIL/TURN	4				
06	3972986	GROMMET, 4"	4				
7		NOT INCLUDED					
8	3971447	LIGHT, BACKUP ROUND CLEAR	2				
09	3973290	LIGHT, LED 2 1/2" RED	7				
10	3971691	GROMMET, CLEARANCE LIGHT 2 1/2"	7				
11		NOT INCLUDED					



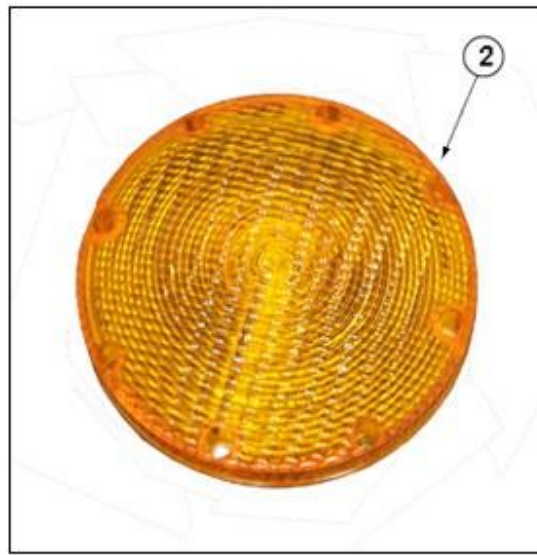
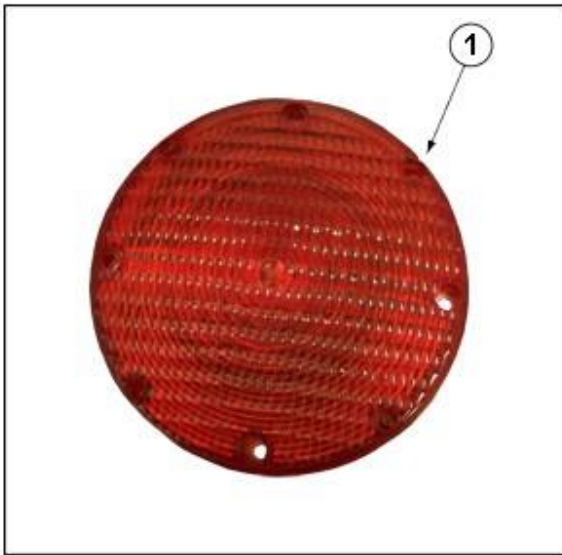
<i>ITEM</i>	<i>PART NO.</i>	<i>DESCRIPTION</i>	<i>QTY</i>	<i>ITEM</i>	<i>PART NO.</i>	<i>DESCRIPTION</i>	<i>QTY</i>
1	3971690	LIGHT, CLEARANCE 2.5" RED SEALED W/REFL	1	08	3973915	REFLECTOR, RED 3"	2
2	3971691	GROMMET, CLEARANCE LIGHT 2.5" ROUND	7	09	3973015	FLASHER, 16 AMP GROTE 44690	1
3	3971446	LIGHT, STOP/TURN/TAIL ROUND RED 4"	4	N/S	8970394	TAPE, WINDOW SEALEX SX1412 1/4 x 1/2 x 50	A/R
4	3971447	LIGHT, BACKUP ROUND CLEAR 4"	2	N/S	3972774	HARNES, BACKWALL	1
5	3971471	GROMMET, RUBBER 4" TAIL LIGHT	6	N/S	3972773	HARNES, REAR CLEARANCE LIGHTS	1
6	3972168	LIGHT, LICENSE PLATE BLACK	1				
7	3972942	BRACKET, LICENSE LIGHT TRUCK LITE 42722	1				



EXTERIOR LIGHTS

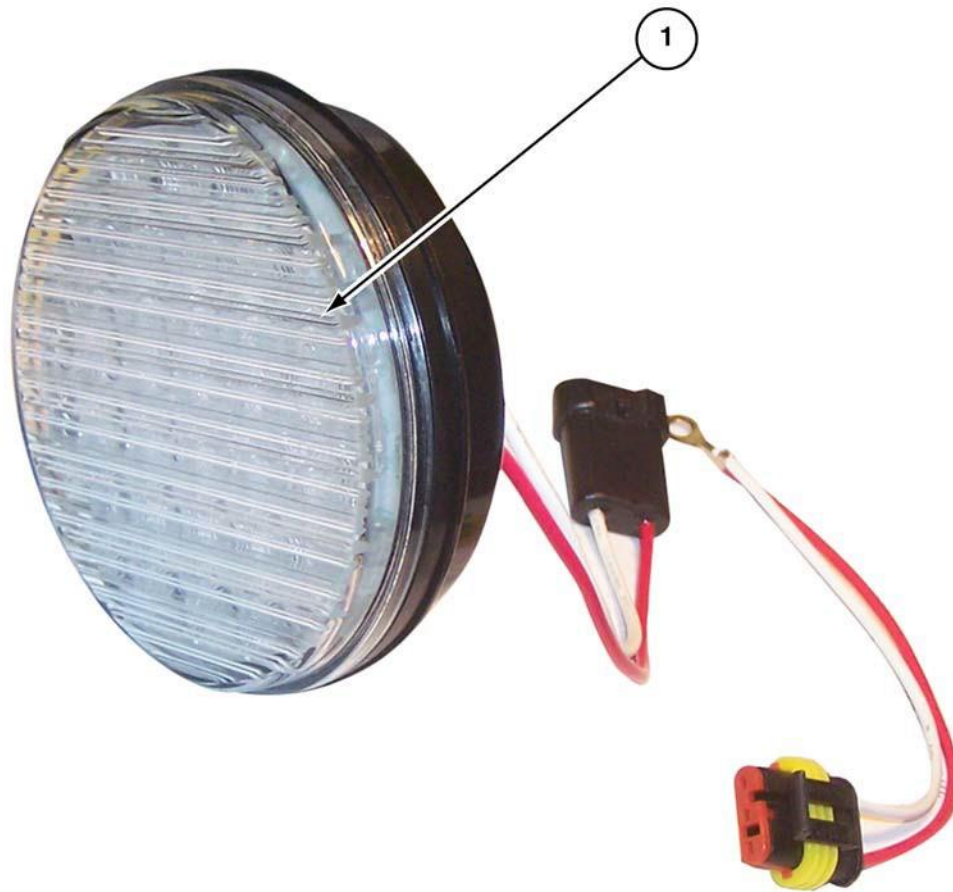
0414293

<i>ITEM PART NO. DESCRIPTION</i>	<i>QTY</i>	<i>ITEM PART NO. DESCRIPTION</i>	<i>QTY</i>
1 3973440 LIGHT, SIDEMARKER	2	6 3972984 LIGHT, LED STOP/TAIL (RED)	3
2 3973441 LIGHT, REAR CLEARANCE	5	7 3972985 LIGHT, LED TURN (AMBER)	2
3 3973442 LIGHT, FRONT CLEARANCE	5	8 3973489 LIGHT, LED LICENSE PLATE	1
4 3973443 LIGHT, REAR SIDEMARKER	2	N/S 0377811 BRACKET, LICENSE PLATE	1
05 3973459 LIGHT, BACK-UP (4" LED)	2		



LIGHTS, 7" RED & AMBER 0415744

<i>ITEM PART NO. DESCRIPTION</i>	<i>QTY</i>	<i>ITEM PART NO. DESCRIPTION</i>	<i>QTY</i>
1 3972856 Light, Red Tail 7"	4		
2 3974106 Light, Amber Tail 7"	2		



CLEAR BACKUP LIGHT
0415734

<i>ITEM PART NO. DESCRIPTION</i>	<i>QTY</i>	<i>ITEM PART NO. DESCRIPTION</i>	<i>QTY</i>
01 3973291 LIGHT, LED 4" CLEAR BACKUP SOUNDOFF	1		



**clear 4" led backup light
0419125**

<i>ITEM PART NO. DESCRIPTION</i>	<i>QTY</i>	<i>ITEM PART NO. DESCRIPTION</i>	<i>QTY</i>
01 3973294 Light, LED 4" Clear Backup	2		

1



STEPWELL LIGHT 0415434

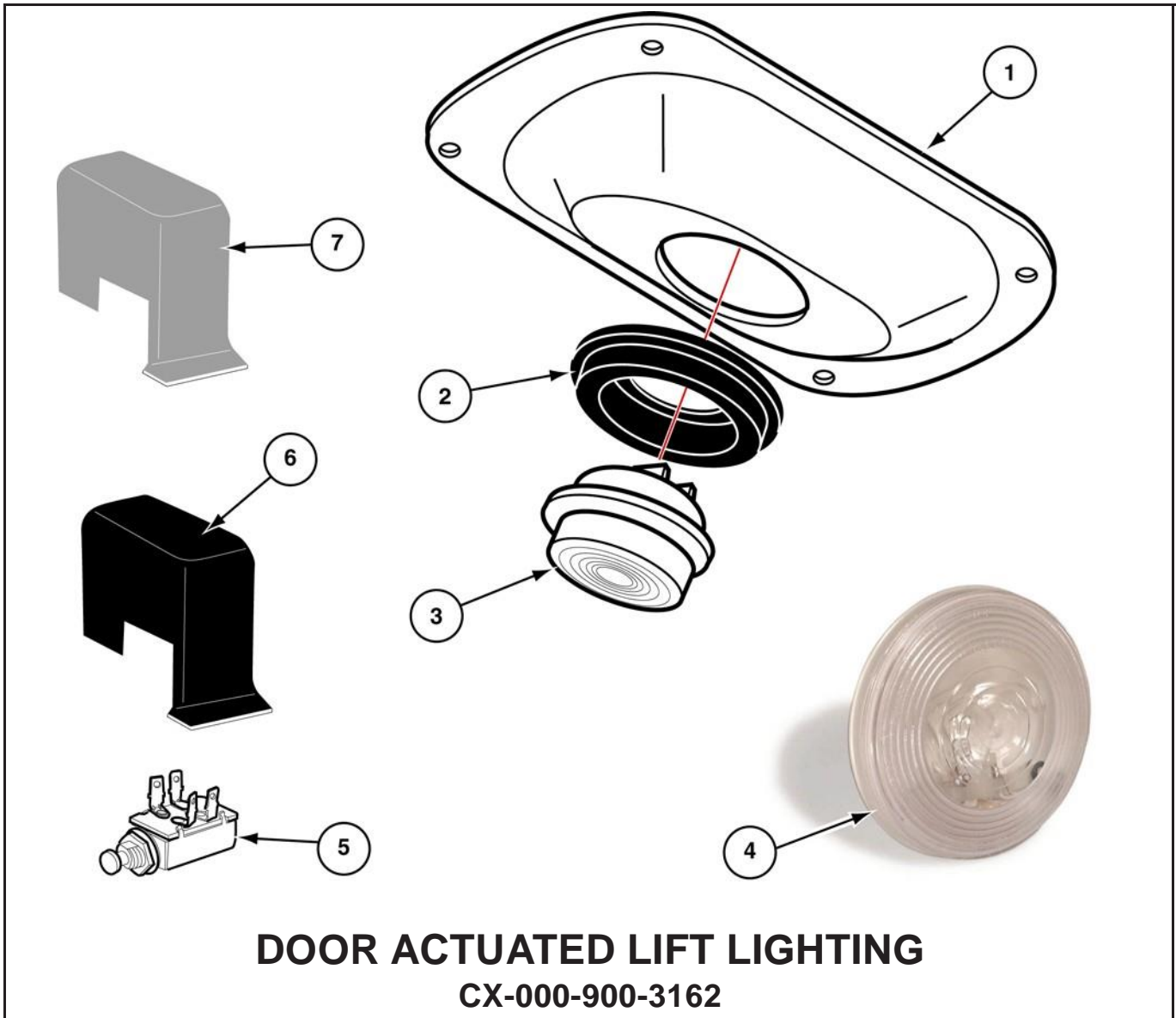
<i>ITEM PART NO.</i>	<i>DESCRIPTION</i>	<i>QTY</i>	<i>ITEM PART NO.</i>	<i>DESCRIPTION</i>	<i>QTY</i>
01	3973911 LIGHT, STEPWELL L.E.D. SOUND-OFF	1			



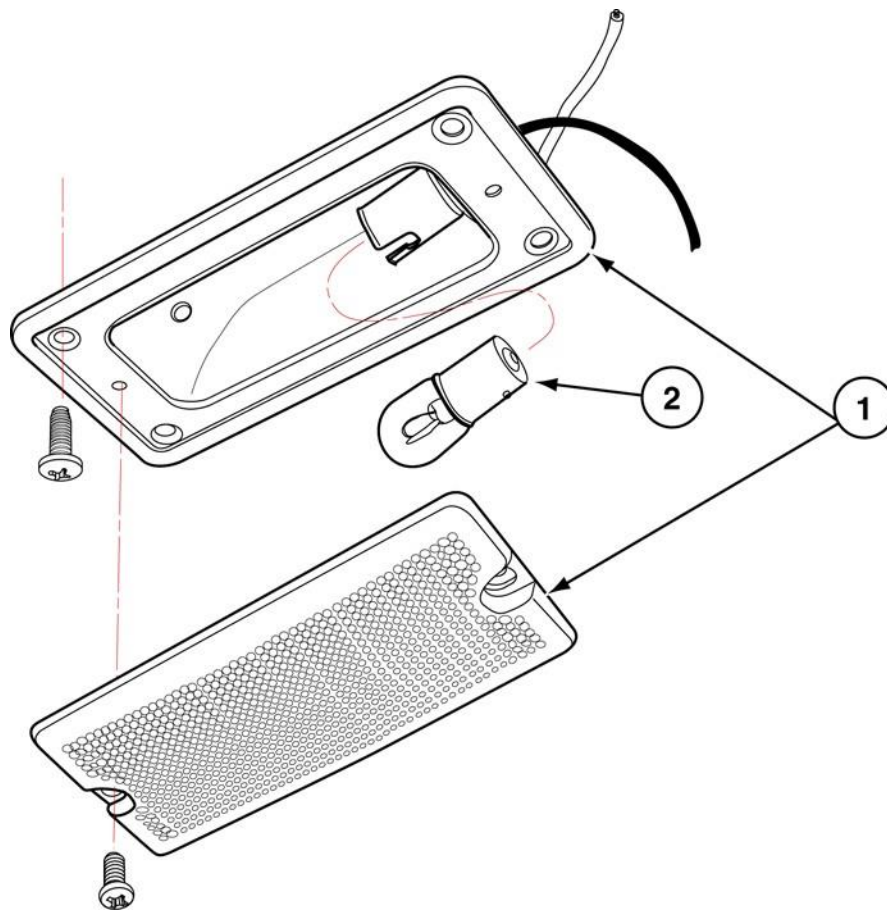
DOOR ACTUATED ENTRY LIGHTING

CX-000-900-3174

<i>ITEM PART NO. DESCRIPTION</i>	<i>QTY</i>	<i>ITEM PART NO. DESCRIPTION</i>	<i>QTY</i>
1 3971447 LANDINGLIGHT (ADA)	1		
2 3943917 LIGHT WITHOUT SWITCH	1		
03 3971470 BULB	A/R		
04 3971448 LIGHT, COURTESY M434	2		
N/S 3971471 GROMMET, TAIL LIGHT RUBBER	1		



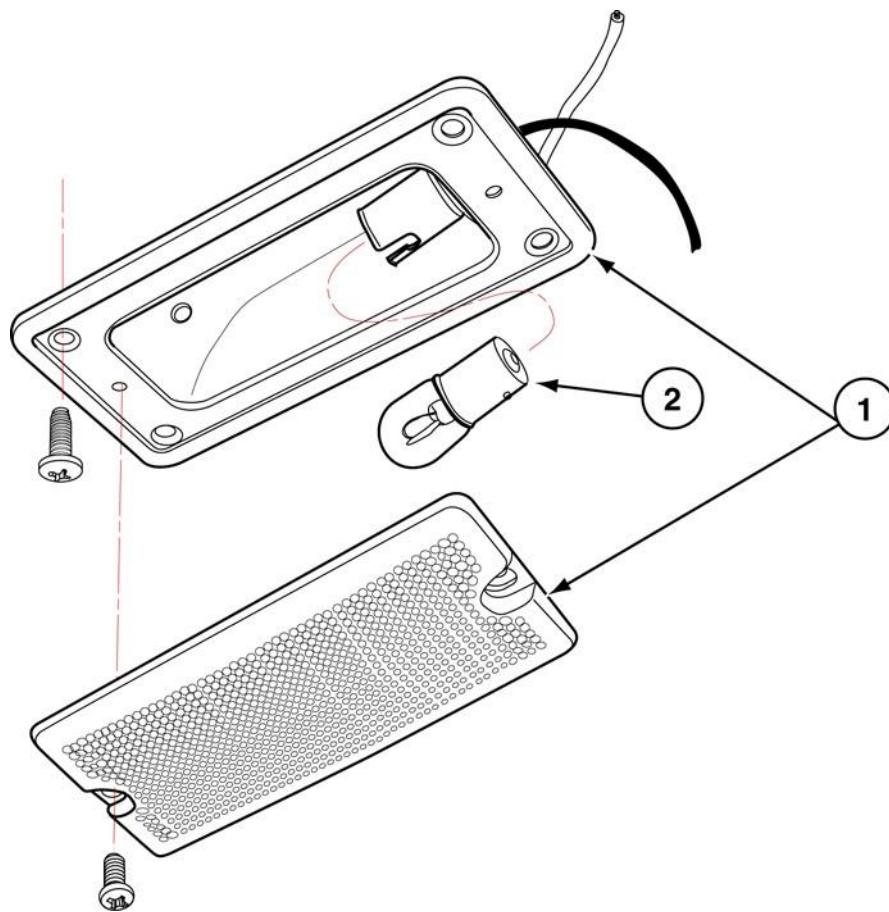
<i>ITEM PART NO.</i>	<i>DESCRIPTION</i>	<i>QTY</i>	<i>ITEM PART NO.</i>	<i>DESCRIPTION</i>	<i>QTY</i>
1	3371024 BEZEL, 4" ROUND INTERIOR LIFT LIGHT	1			
2	3971471 GROMMET, TAIL LIGHT RUBBER	1			
3	3971914 LIGHT, 4" ROUND INTERIOR LIFT	1			
4	3971447 LIGHT, BACKUP ROUND	1			
5	3971963 SWITCH, JAMB DPST CLOSED	1			
6	3371079 COVER, JAMB SWITCH	1			
7	3371674 COVER, LIFT DOOR SWITCH GRAY	1			



DOME LIGHT W/O SWITCH

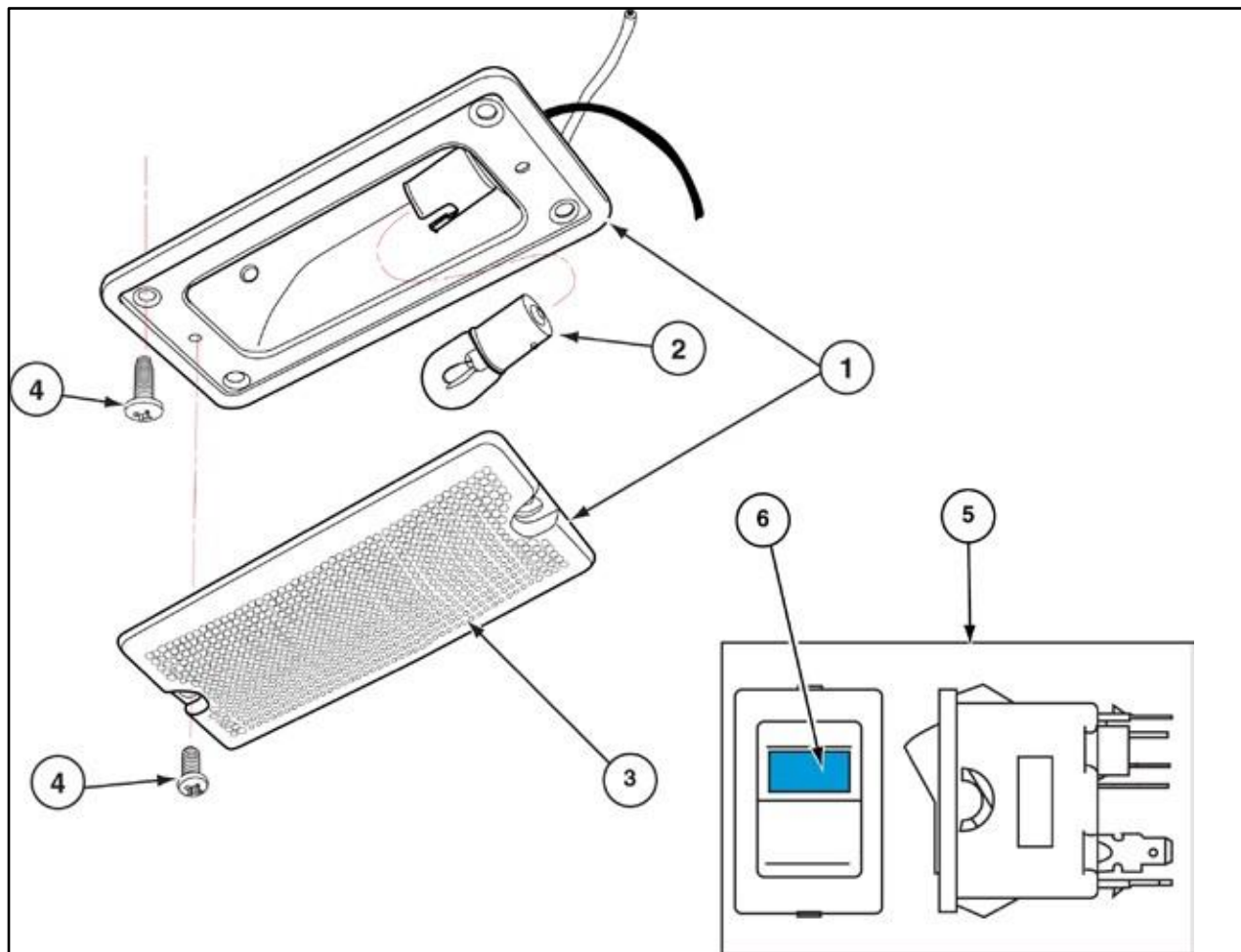
0415381

<i>ITEM PART NO. DESCRIPTION</i>	<i>QTY</i>	<i>ITEM PART NO. DESCRIPTION</i>	<i>QTY</i>
01 3943917 LIGHT, DOME WITHOUT SWITCH	3		
02 3971470 BULB (1141)	A/R		
N/S 3971543 CONNECTOR, AMP MATE-N-LOK CAP 2-WAY	3		
N/S 3971539 CONNECTOR, AMP MATE-N-LOK PLUG 2-WAY	4		
N/S 3971553 TERMINAL, SOCKET AMP 350550-1	8		
N/S 3971730 TERMINAL, PIN TAPE MOUNTED AMP #3506	6		
N/S 3971552 TERMINAL, PIN AMP #350547-1	2		
N/S 3973366 WIRE, 14 GA GXL WHITE MARKED-#5	18		
N/S 3971936 WIRE, 14 GA GXL ORANGE	18		
N/S 3973769 WIRE, 12 GA GXL WHITE 5 GROUND	14		
N/S 3971345 WIRE, 12 GA GXL ORANGE	14		
N/S 3945656 LOOM, 1/2" SPLIT NYLON W STRIPE HI-T	14		
N/S 3945623 LOOM, 1/4" SPLIT NYLON W/STRIPE HI-T	18		



INSTALL DOOR ACTUATED DOME LIGHT CX0000023097

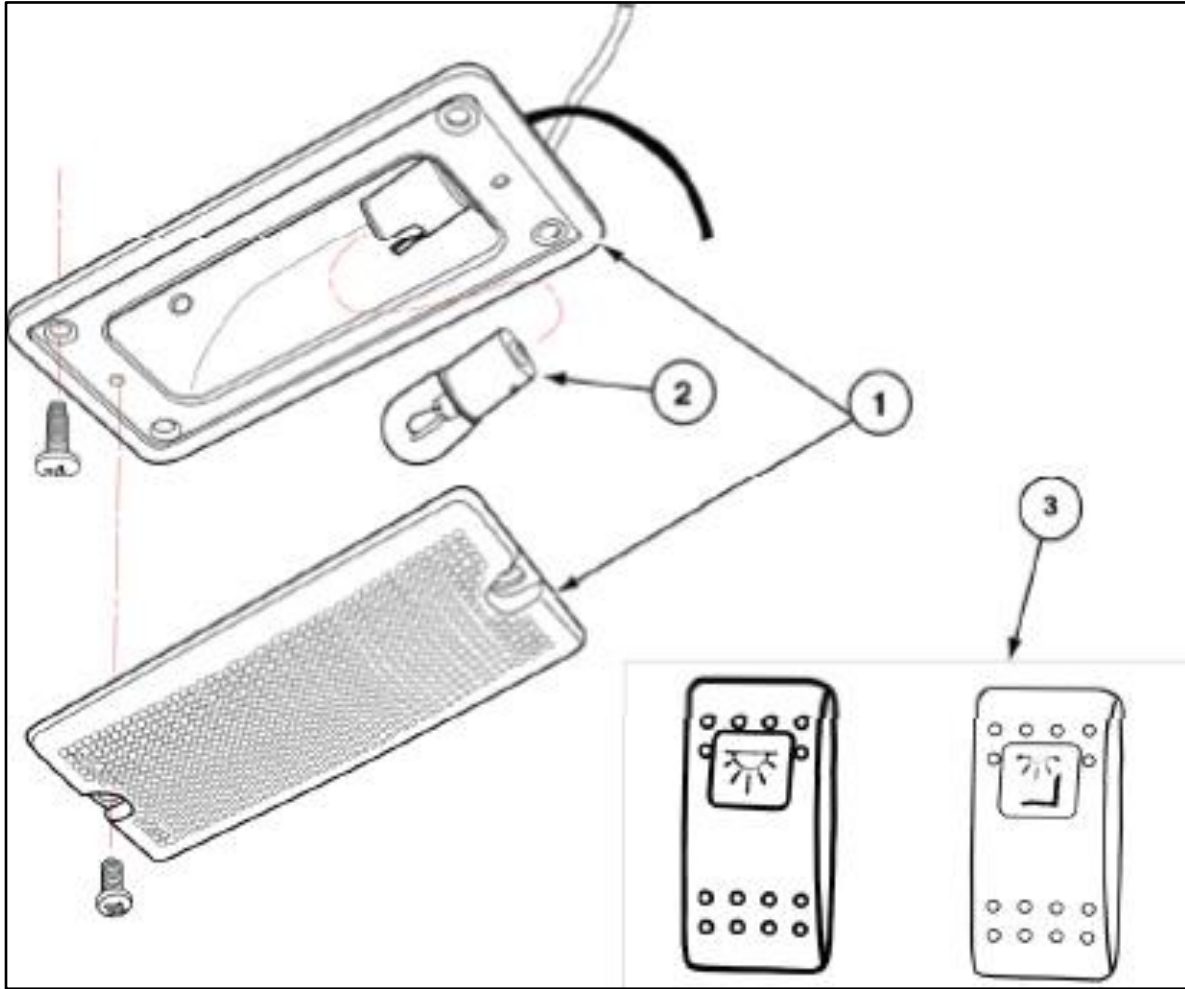
<i>ITEM PARTNO. DESCRIPTION</i>	<i>QTY</i>	<i>ITEM PARTNO. DESCRIPTION</i>	<i>QTY</i>
01 3943917 DOME LIGHT, WITHOUT SWITCH	1		
02 3971470 BULB (1141)	1		
NS 3971963 SWITCH, DOORPOST JAMB (NC)	1		



INTERIOR DOME LIGHTING

CH-270-999-3097 - CH-220-999-3097 - CH-251-999-3097

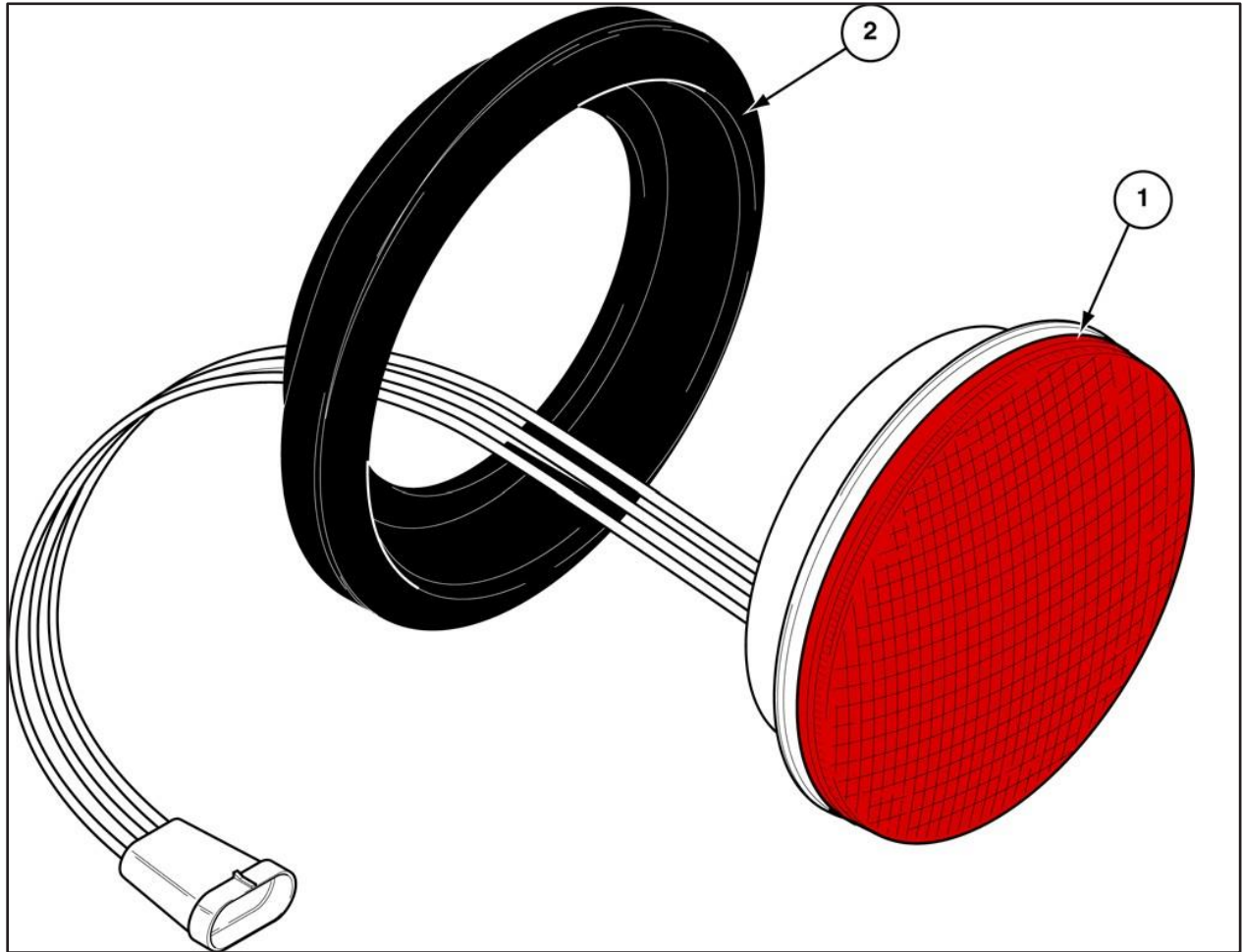
<i>ITEM PART NO. DESCRIPTION</i>	<i>QTY</i>	<i>ITEM PART NO. DESCRIPTION</i>	<i>QTY</i>
01 3943917 LIGHT, DOME WITHOUT SWITCH	10		
02 3971470 BULB (1141)	10		
03 3945193 SWITCH, CARLING ON/OFF/ON	1		
N/S 3973901 ACTUATOR, BLANK	1		



Interior dome lights

0416398 / 0415382 / DF-310-999-1221

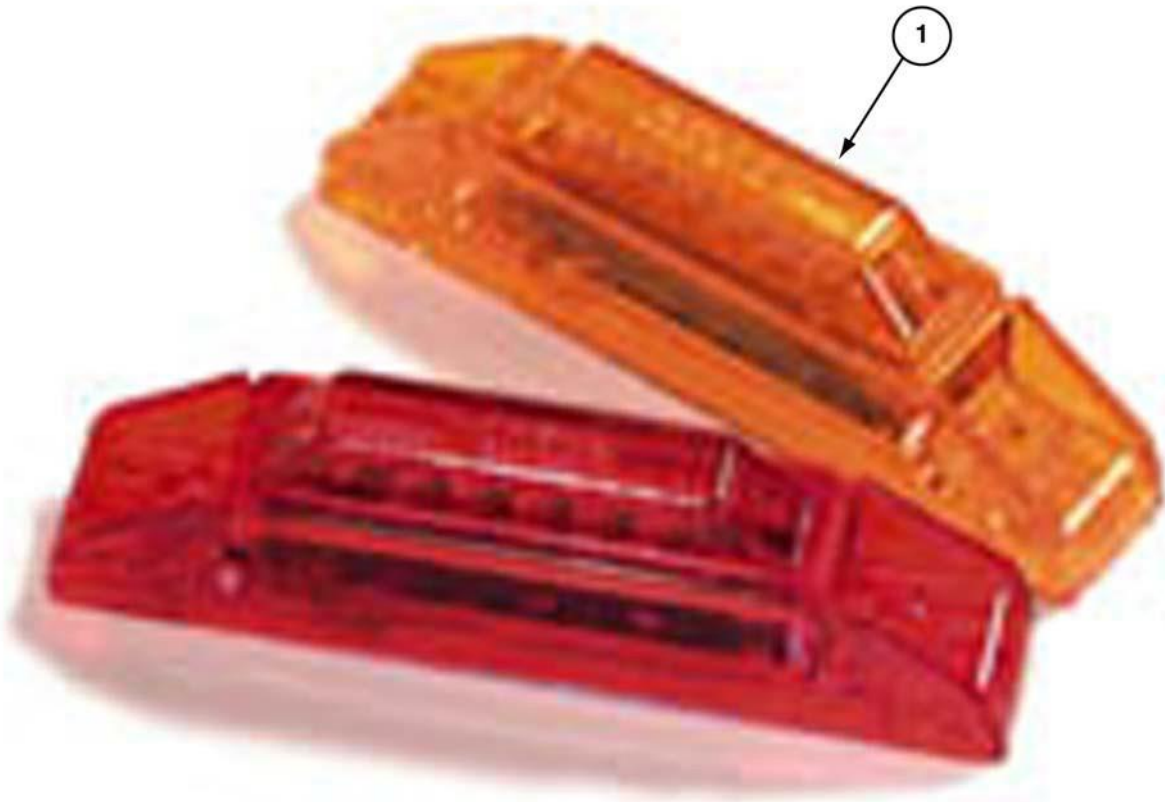
<i>ITEM PART NO.</i>	<i>DESCRIPTION</i>	<i>QTY</i>	<i>ITEM PART NO.</i>	<i>DESCRIPTION</i>	<i>QTY</i>
01	3943917 LIGHT, DOME WITHOUT SWITCH	4			
02	3971470 BULB (1141)	4			
03	3973976 SWITCH, CARLING ON/OFF/ON	1			
N/S	3973901 ACTUATOR, BLANK	1			



Rear Center Brake Light - Led

Cx000SO20046 / 0413229

<i>ITEM PART NO. DESCRIPTION</i>	<i>QTY</i>	<i>ITEM PART NO. DESCRIPTION</i>	<i>QTY</i>
1 3973293 Light, 4" Red Stop/T/T	1		
2 3971471 Grommet, Tail Light Rubber	1		
3 3972986 Grommet, 4" Light	1		
NS 3972920 Harness, Rear Center Brake Light	1		



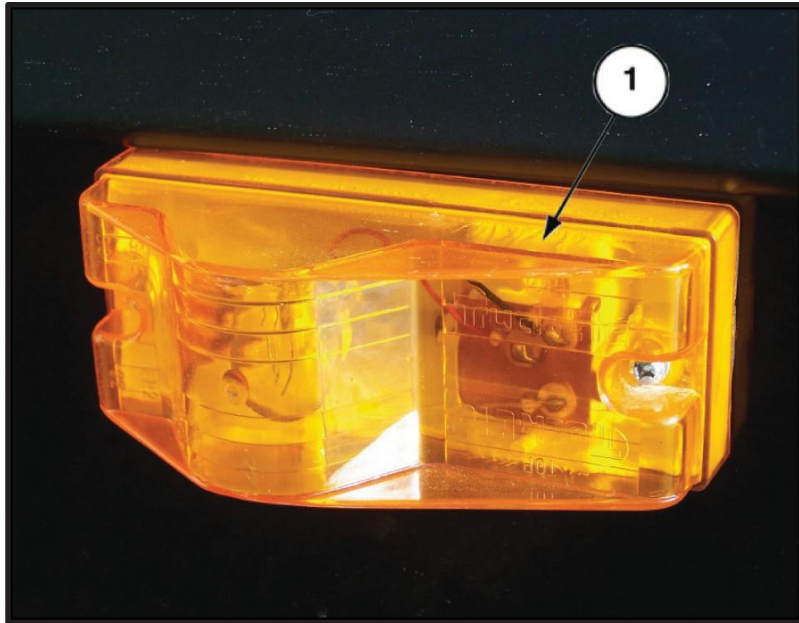
GUARDED LED CLEARANCE LIGHTS
0411397

<i>ITEM</i>	<i>PARTNO.</i>	<i>DESCRIPTION</i>	<i>QTY</i>	<i>ITEM</i>	<i>PARTNO.</i>	<i>DESCRIPTION</i>	<i>QTY</i>
01	3973023	LIGHT, FRONT LED CLEARANCE	5				
N/S	8571259	BRACKET ARMORED MOUNT	5				



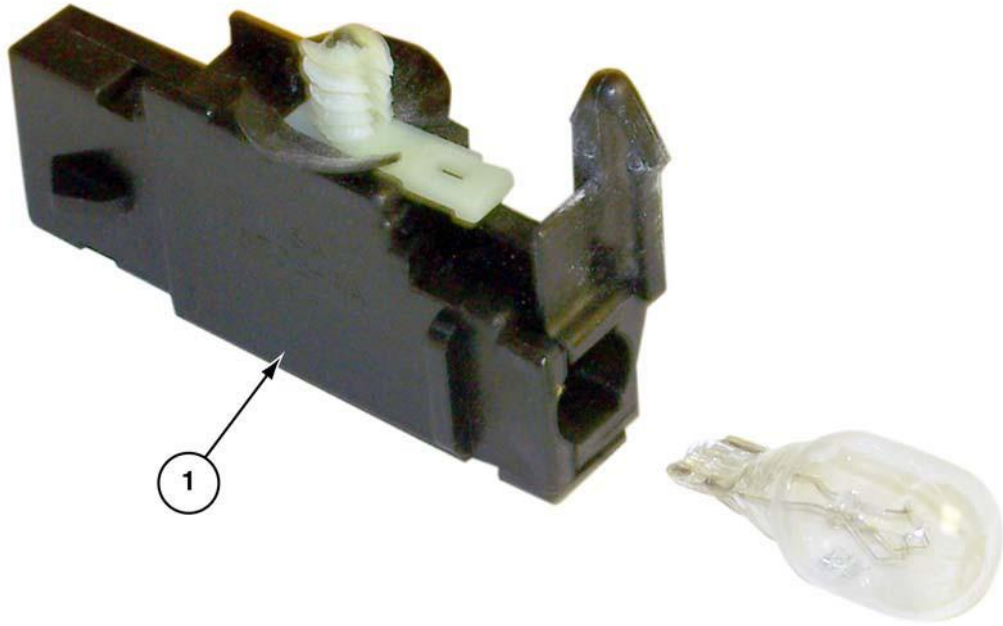
FRONT AMBER CLEARANCE LIGHT
0406333

<i>ITEM PARTNO. DESCRIPTION</i>	<i>QTY</i>	<i>ITEM PARTNO. DESCRIPTION</i>	<i>QTY</i>
01 3972999 LIGHT, CAB CLEARNCE	1		
N/S #194 WEDGE BASE BULB	1		



side directional lights
cX0000023102

<i>ITEM PART NO. DESCRIPTION</i>	<i>QTY</i>	<i>ITEM PART NO. DESCRIPTION</i>	<i>QTY</i>
01 3971879 Light, Sealed Side Marker Amber	2		
NS 0403288 Harness, Side Directional	1		
NS 3971517 P-Clamp, Vinyl Coated Steel 5/8	3		
NS 3972861 Reflector, Mini Stick-On Rectangle	2		
NS 3972862 Reflector, Mini Stick-On Rectangle	2		



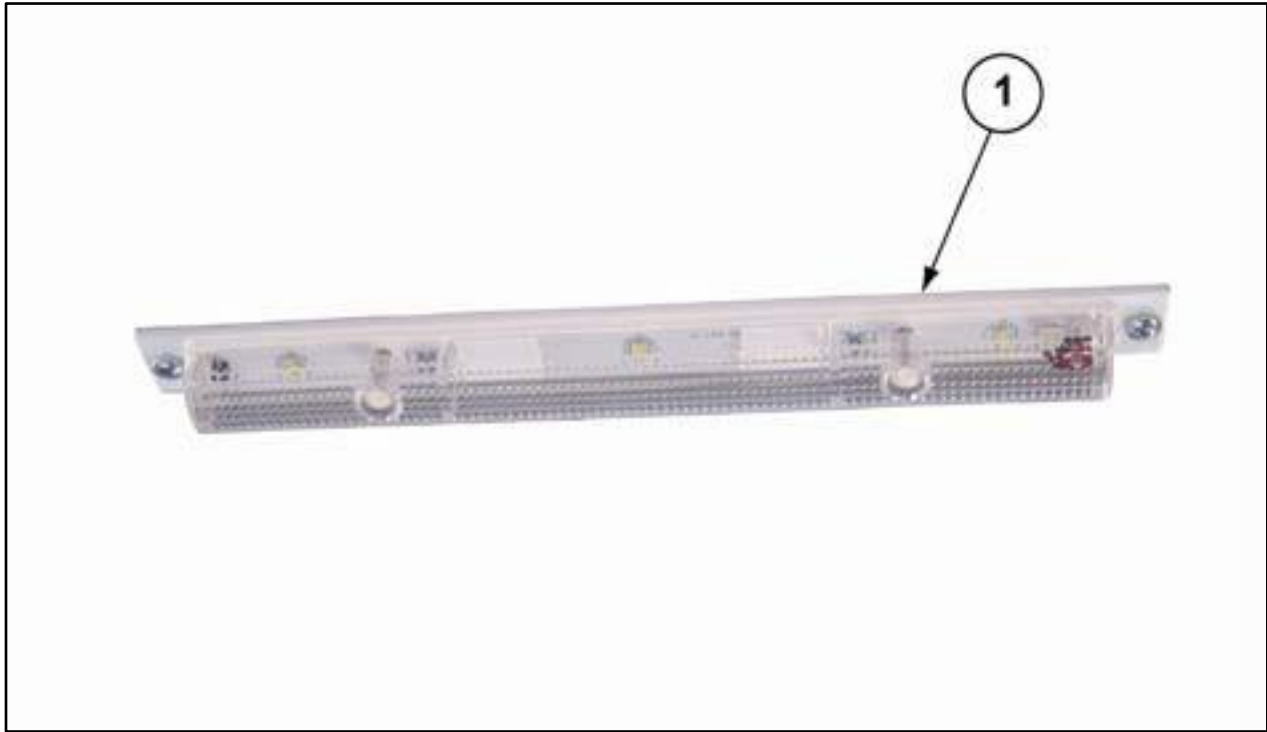
ENGINE COMPARTMENT LIGHT
CH-000-900-3043

<i>ITEM PART NO. DESCRIPTION</i>	<i>QTY</i>	<i>ITEM PART NO. DESCRIPTION</i>	<i>QTY</i>
01 3973240 LIGHT, UNDERHOOD W/BALL BEARING SWITCH	2		

PICTURE NOT AVAILABLE AT THIS TIME

**ENGINE COMPARTMENT LIGHT LED sTRIP (6")
0418976-PdOT**

<i>ITEM</i>	<i>PART NO.</i>	<i>DESCRIPTION</i>	<i>QTY</i>	<i>ITEM</i>	<i>PART NO.</i>	<i>DESCRIPTION</i>	<i>QTY</i>
01	3975336	Light, Engine Comp LED 6" Strip	2				



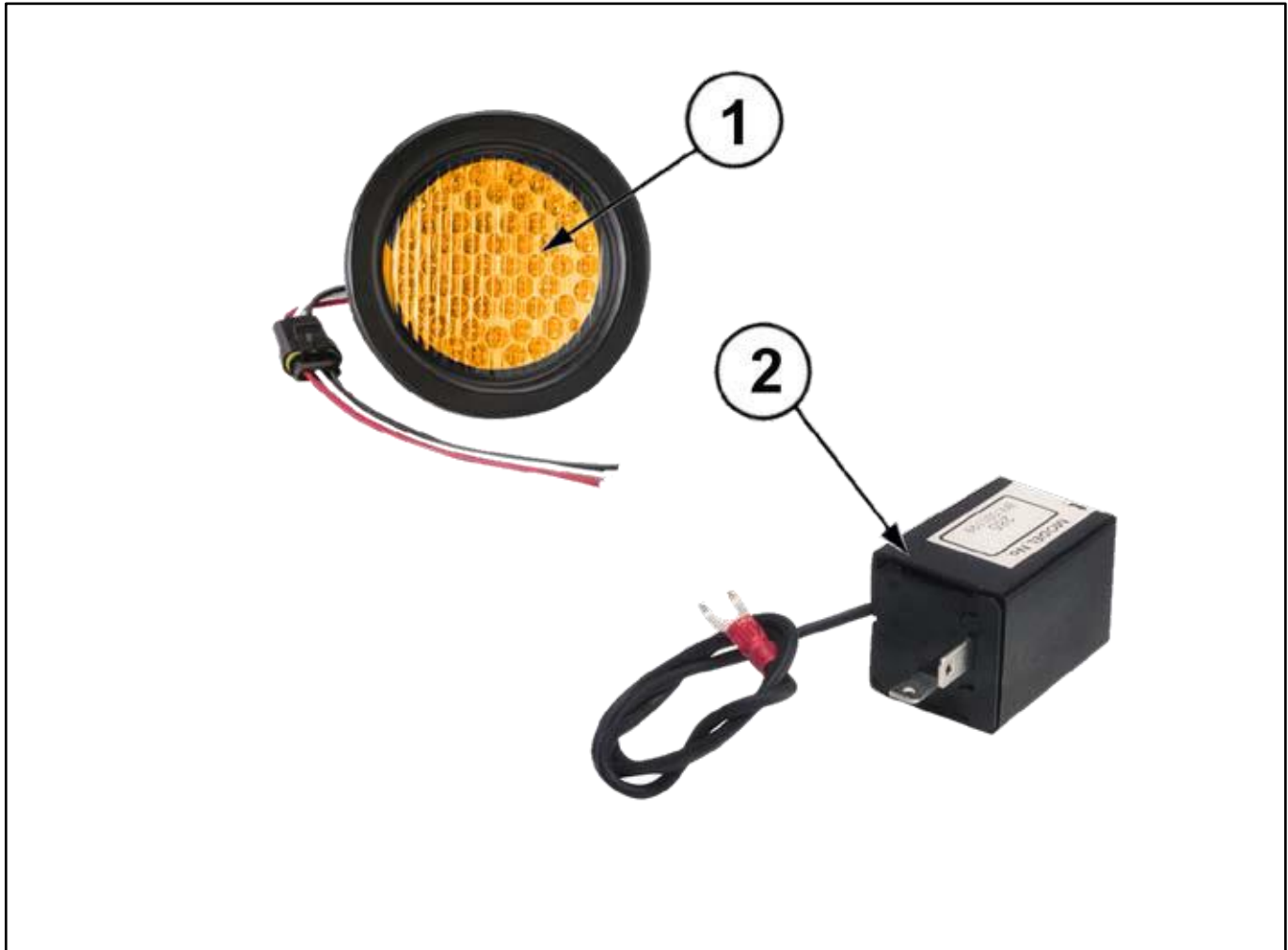
INTERIOR LIGHTS, 12" LED STRIP
0416399 / 0418715 / 0416399-PDOT/ 0420455

<i>ITEM PART NO. DESCRIPTION</i>	<i>QTY</i>	<i>ITEM PART NO. DESCRIPTION</i>	<i>QTY</i>
01 3974361 Light, LED Strip 12"	AR		
NS 3972645 Breaker, 5 AMP Manual Reset	1		
NS 3974526 Harness, Center Lights	1		
<i>0420455 Lights, Soor Actuated Dome PDOT</i>			
NS 3974628 Relay, 40 AMP 12 Volt Spemco	1		



**STRIP LIGHT, LED STEPWELL DOOR HEADER
PA0000026373**

<i>ITEM</i>	<i>PART NO.</i>	<i>DESCRIPTION</i>	<i>QTY</i>	<i>ITEM</i>	<i>PART NO.</i>	<i>DESCRIPTION</i>	<i>QTY</i>
01	3974506	Light, LED Stepwell P-DOT	1				



Lights - FLashing amber 0415797

<i>ITEM PART NO. DESCRIPTION</i>	<i>QTY</i>	<i>ITEM PART NO. DESCRIPTION</i>	<i>QTY</i>
1 3973292 Light, LED 4" Amber T/T Soundoff	4		
2 3973271 Flasher, Solid State 6A-LED	1		
NS 3972986 Grommet, 4" Light Peterson	4		
NS 3972645 Breaker, 5 AMP Manual Reset	1		
NS 3971529 Terminal, Relay Base	1		
NS 3973881 Switch, Carling, ON/OFF	1		
NS 3973886 Switch, Connector Plug	1		
NS 3973901 Actuator, Blank	1		



LIGHTED Door WARNING BUZZER
CX0000023096

<i>ITEM</i>	<i>PART NO.</i>	<i>DESCRIPTION</i>	<i>QTY</i>	<i>ITEM</i>	<i>PART NO.</i>	<i>DESCRIPTION</i>	<i>QTY</i>
1	3973085	LIGHT, BUZZ (NO ENGRAVING)	1				
2	3974501	LIGHT, INDICATOR (GREEN)	1				



LED RED INDICATOR LIGHT
0414039

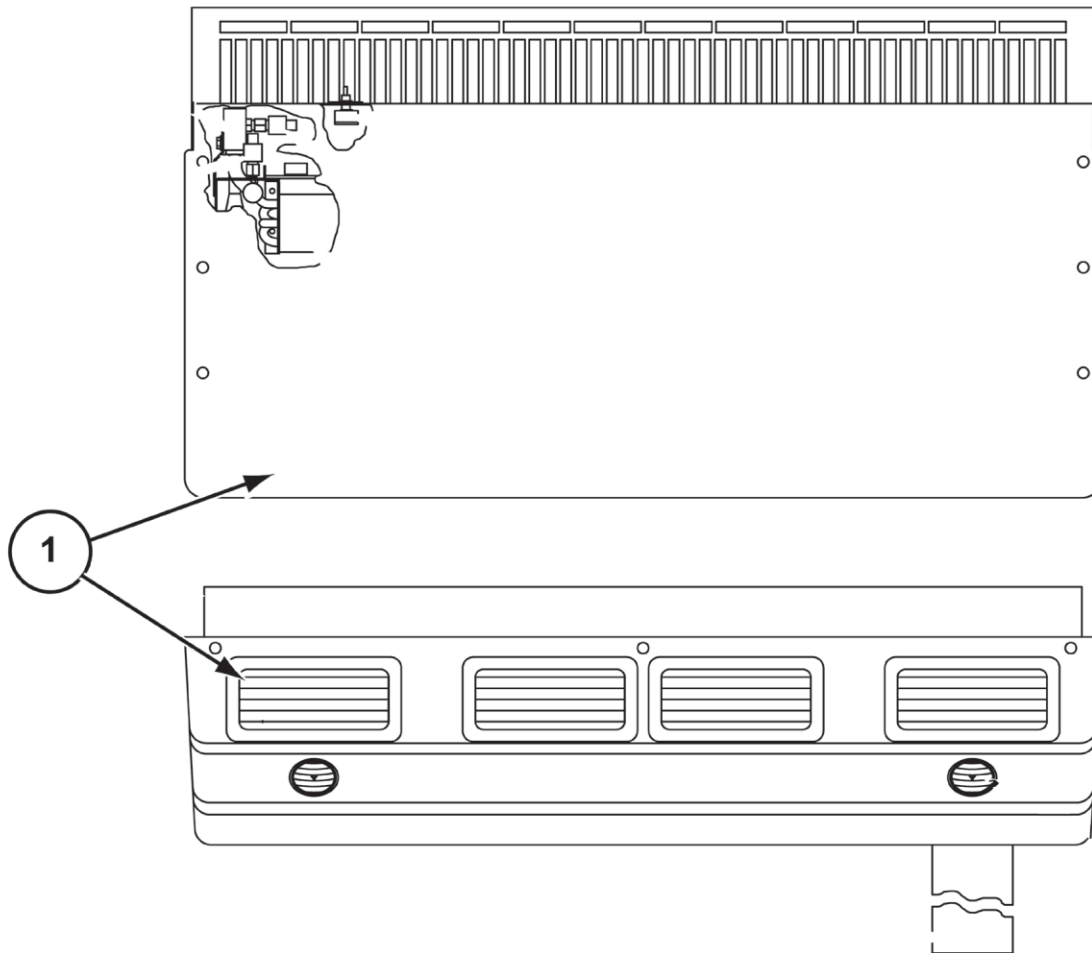
<i>ITEM PARTNO. DESCRIPTION</i>	<i>QTY</i>	<i>ITEM PARTNO. DESCRIPTION</i>	<i>QTY</i>
1 3973345 LIGHT, LED RED INDICATOR	1		
2 3973346 GROMMET, INDICATOR LIGHT	1		



CHAMPION
BUS, INC.
Thor Industries Commercial Bus Division

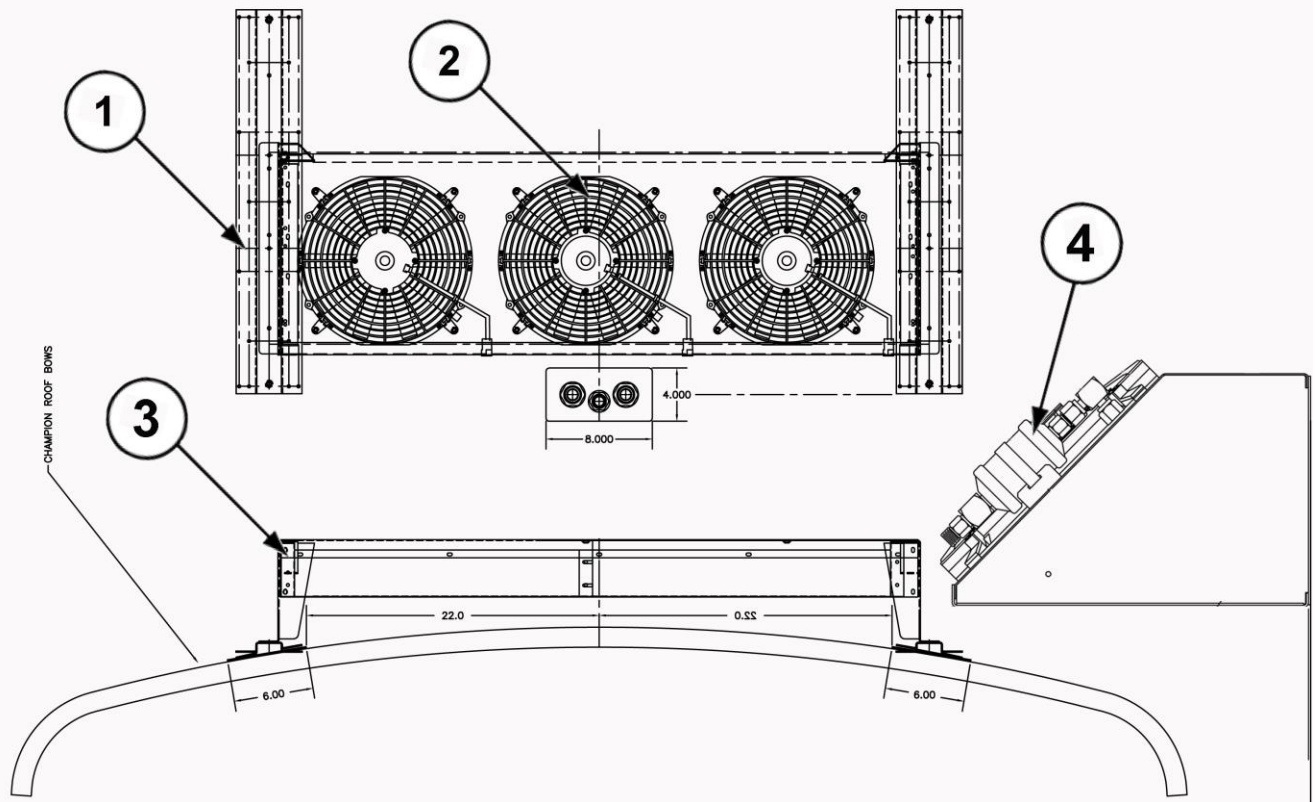
SECTION 8:

HEaTING & COOLING



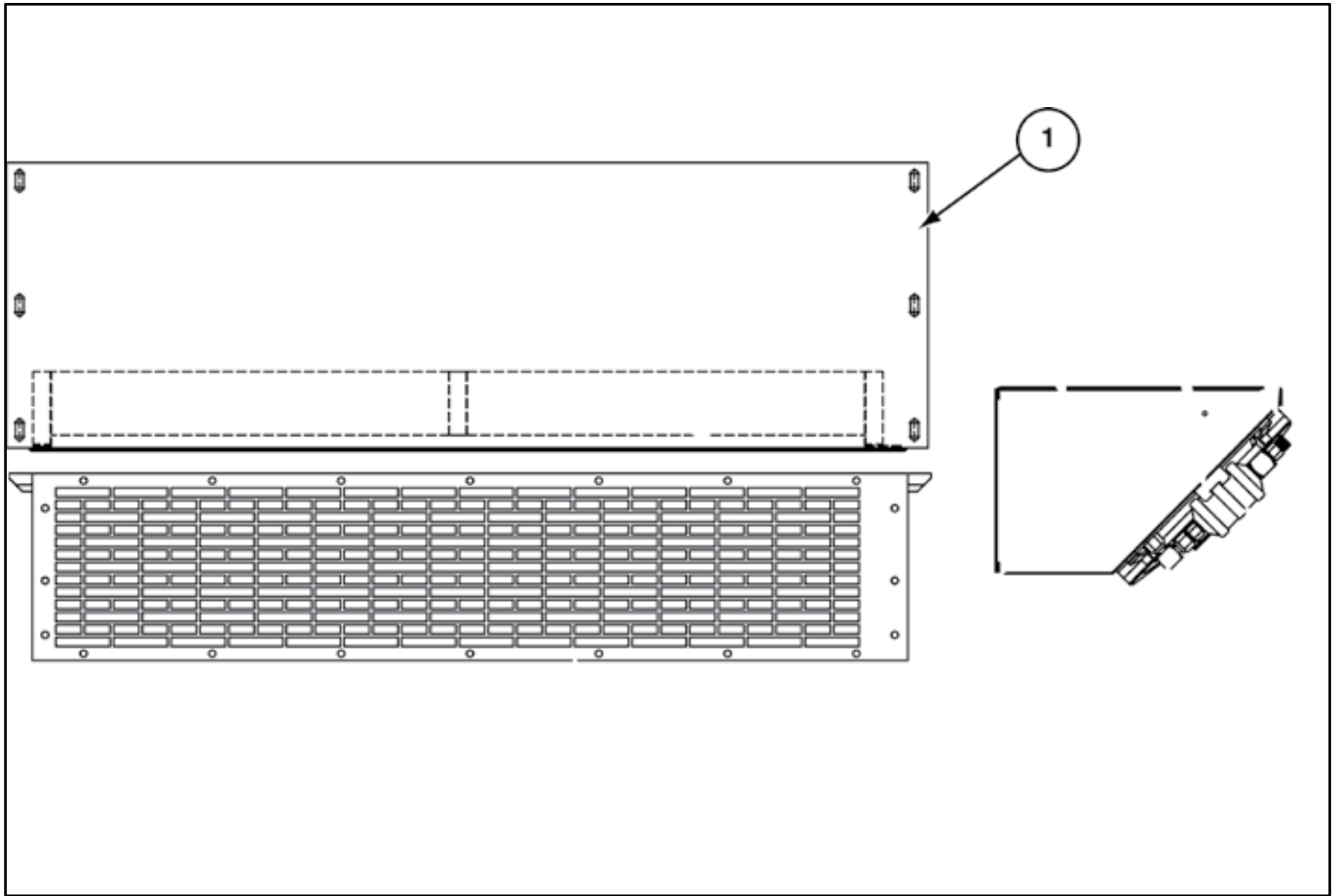
EVAPORATOR EZ-5 ACT SYSTEM 1770965

<i>ITEM PART NO. DESCRIPTION</i>	<i>QTY</i>	<i>ITEM PART NO. DESCRIPTION</i>	<i>QTY</i>
01 1770965 Evaporator, EZ-5 ACT	1		
NS 0374655 Bracket, Air Conditioner Mount	2		
0402959 Install, PAD Evaporator EM-1-2			
NS 0970014 Lauan, Raw 3.6 x 48 x 96	AR		
NS 7371128 Vinyl, Harbor Moonbeam	AR		
NS 8570697 Staple, CO3 GAAPM Silver	AR		
NS 8570948 Screw, 8 x 3/4 RND Phil Washer	3		



condenser, cr-3 act rooftop
0417472 / 0417474

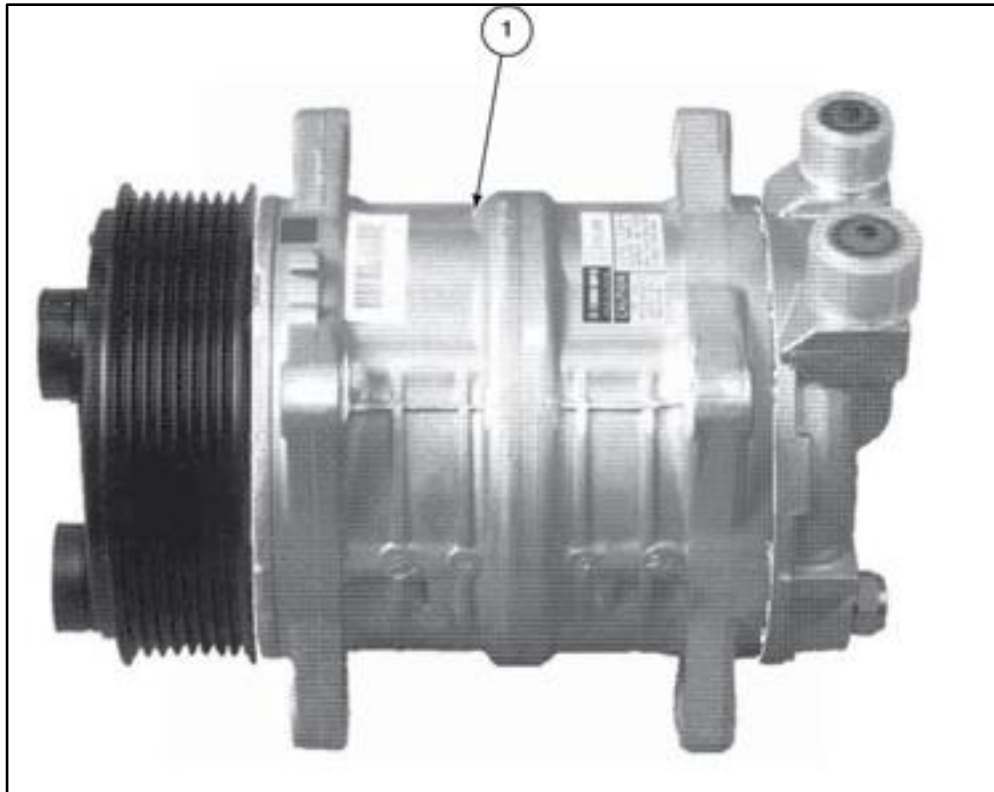
ITEMPART NO.	DESCRIPTION	ITEMPART NO.	DESCRIPTION
1	1771552 CONDENSER, CR-3 ACT ROOFTOP	1	
2	1012460 PANCAKE FAN, CONDENSER	3	
3	1771556 KIT, CONDENSER ROOF RAIL CR-3	1	
4	1013723 FILTER DRIER, W/SIGHTGLASS COMBO	1	



A/C CONDENSER, CS-3 ACT

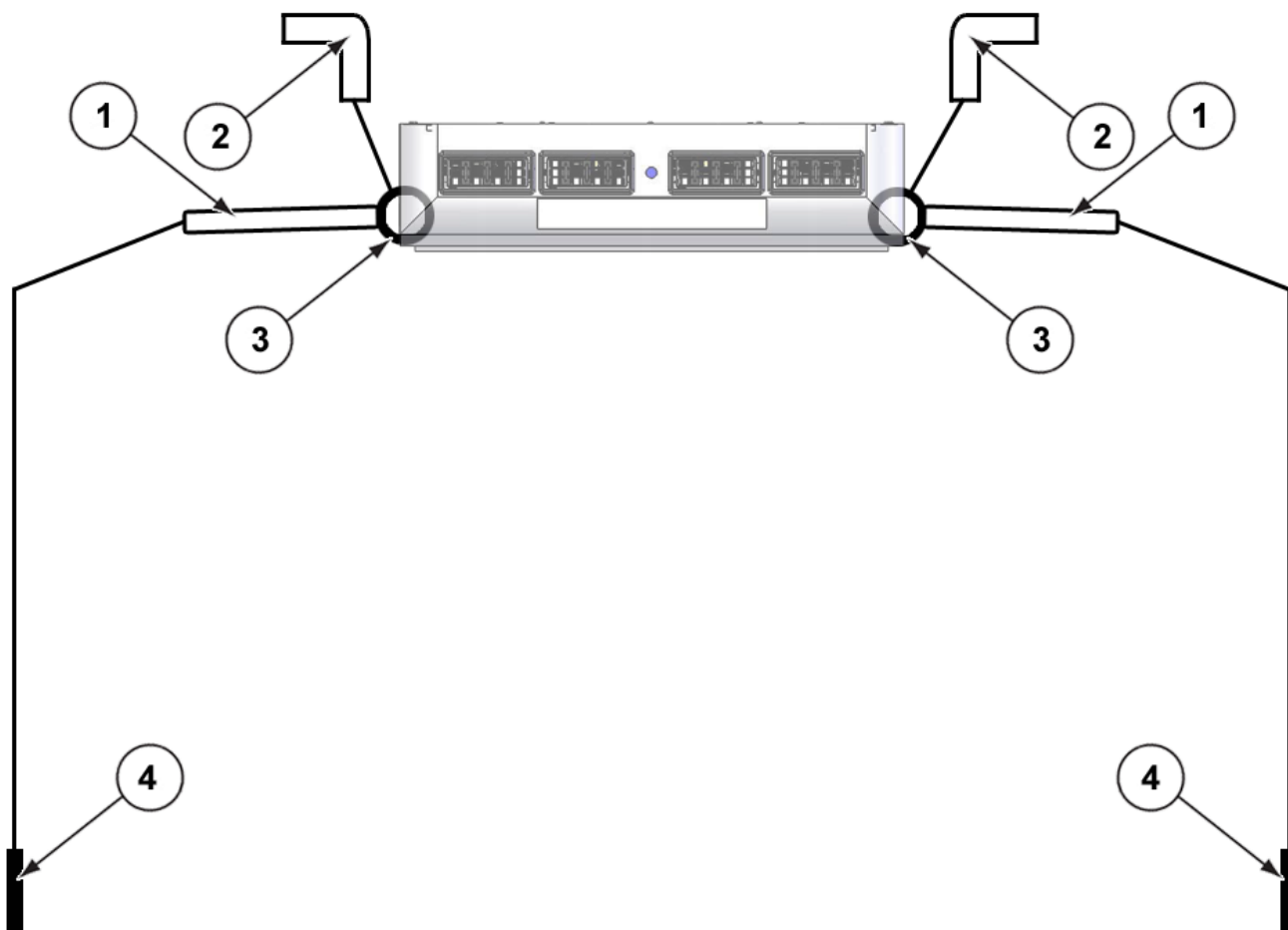
0416610 - 0411278 - 0413512

<i>ITEM PART NO. DESCRIPTION</i>	<i>QTY</i>	<i>ITEM PART NO. DESCRIPTION</i>	<i>QTY</i>
0411278 A/C CONDENSER CS-3 ACT		0413512 WINTER GUARD KIT	
01 1770966 Condenser, CS-3 ACT	1	NS 1771117 Guard, Winter Kit CS-3 ACT	1
NS 0372771 Support, Side Pan 18.5"	2		
NS 3973249 Harness, Condenser Red GEN-5	18		
NS 3970290 Terminal, Heat Shrink Ring 16-14 #10	2		
NS 3971612 Terminal, Heat Shrink Ring 12-10 1/4	1		



A/c compressor, Act system (Gm610) 1771506

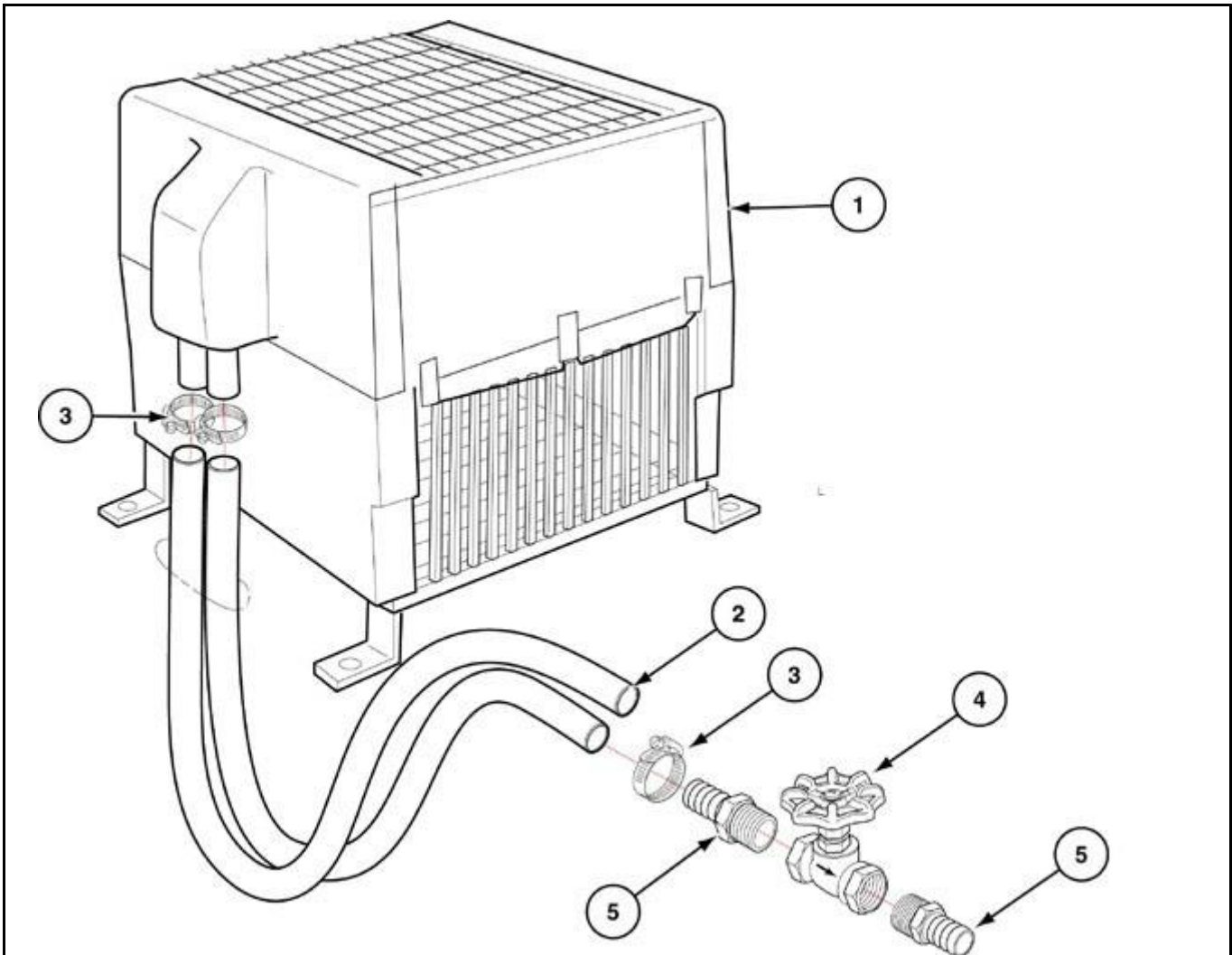
<i>ITEM PART NO. DESCRIPTION</i>	<i>QTY</i>	<i>ITEM PART NO. DESCRIPTION</i>	<i>QTY</i>
01 1771506 Compressor, TM-16 ACT Pad Poly	1		
NS 1771776 Mount, Comp TM16 '11 GM610 6.0L	1		
NS 1771565 Manifold, TM-16	1		



A/C DrAin lines

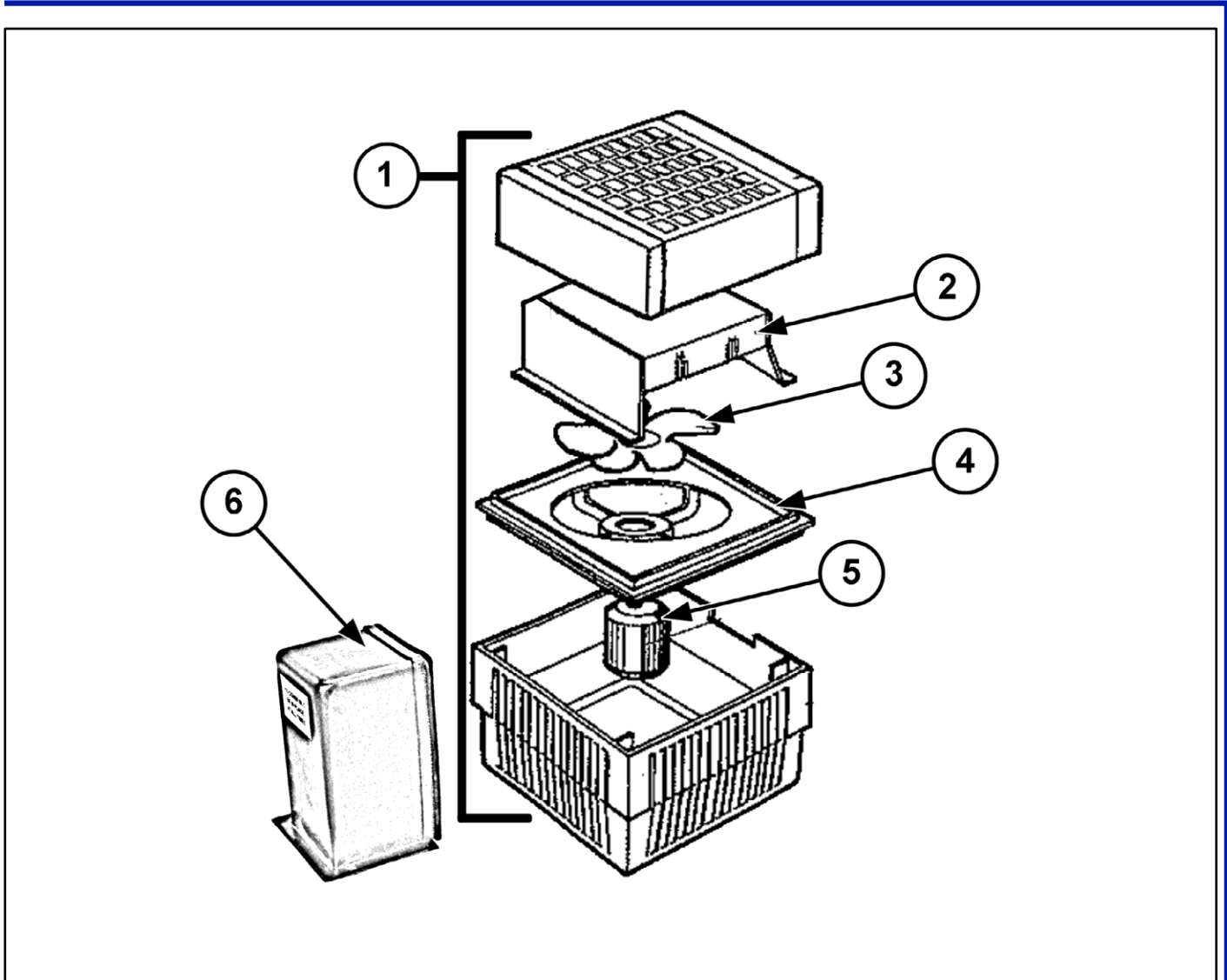
0416610 - 0402955

<i>ITEM PART NO. DESCRIPTION</i>	<i>QTY</i>	<i>ITEM PART NO. DESCRIPTION</i>	<i>QTY</i>
01 1770478 Hose, Drain 1/2" Clear	A/R		
02 2970226 Elbow, Drain Hose	2		
03 3973928 Grommet, Rubber .50"	2		
04 1770715 Valve, Kazoo 5/8	2		



**install 45k btu heater
0408843-P-DOT (reV-a) & 0405320**

ITEM	PART NO.	DESCRIPTION	QTY	ITEM	PART NO.	DESCRIPTION	QTY
0408843-PDOT INSTALL HEATER 45,000 BTU				0405320-PDOT INSTALL 1/2" BALL VALVE FOR 5/8 HTR HOSE			
01	1770760	HEATER (45,000 BTU PROAIR)	1	4	2970407	VALVE, THREADED BALL TYPE (1/2")	2
02	2970457	HOSE, HEATER (5/8 HI TEMP)	A/R	5	3973889	ACTUATOR, REAR HEATER	1
03	4970430	CLAMP, HOSE (1/2 x 1-1/8) #10	4	0402967 INSTALL, SWITCH REAR HEATER			
n/s	2970729	FITTING, BARB 5/8 X 1/2 MPT	1	N/S	3973976	SWITCH, CARLING ON/OFF/ON	1
N/S	2970786	FITTING, NIPPLE 1/2" BLACK PIPE	1	N/S	3947066	CONNECTOR, RT 10-4848	1
N/S	2970446	FITTING, 'Y' UNIVERSAL HEATER HOSE	1	N/S	3970183	RECEPTICAL, FAST-ON #187	5
N/S	3972646	BREAKER, 10 AMP (MANUAL RESET)	1				
N/S	3944303	TERMINAL, F/INSU FM/QUICK DISC 12-10	2				
N/S	3974667	HARNESS, HEATER EXTENSION GXL	1				
0403313 INSTALL, HOSE SHIELD REAR HEATER							
N/S	3371964	COVER, HEATER FLOOR ABS					

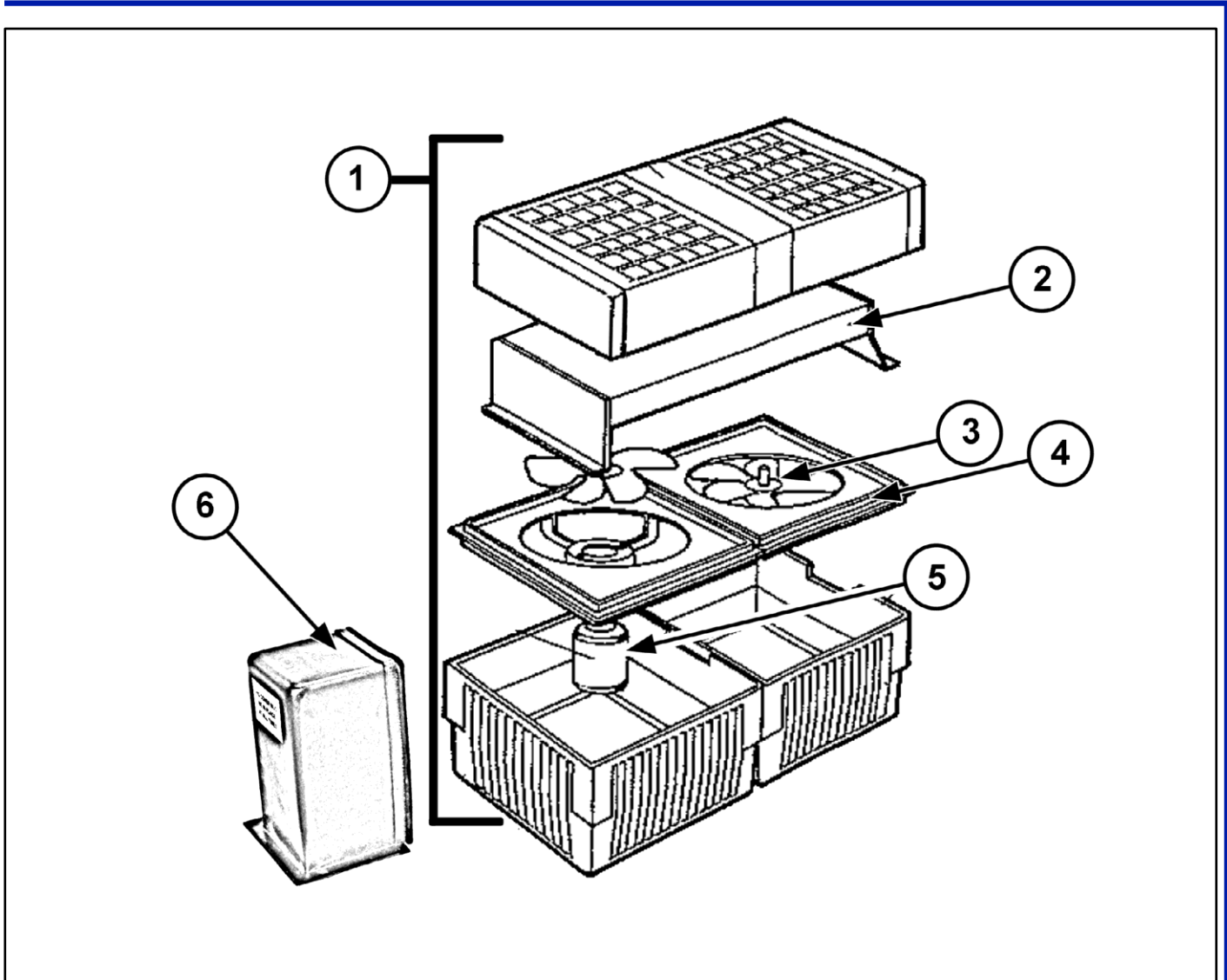


Auxiliary Floor Heater 35K BTU

Item	Part Number	Description	QTY	Item	Part Number	Description	QTY
01	1770821	HEATER,35,000 BTU	1				
02	1016831	COIL, HEATER 35K	1				
03	1015091	FAN,HEATER MOTOR REAR	1				
04	TBD	Motor Holder	1				
05	1013175	MOTOR,HEATER	1				
06	3371964	COVER,HEATER FLOOR ABS	1				

Also Found in Assemblies:

0401476, 0402780, 0402971, 0402972, 0403163, 0403194, 0403537, 0403821, 0403835, 0403865, 0404363, 0404822, 0404826, 0404951, 0405011, 0405012, 0405316, 0405620, 0406383, 0407605, 0408947, 0410024, 0413540, 0414464, 0415674, 0415805, CH-000-998-0808, EZ-310-900-0808, CO-300-900-0808, BG-300-900-0808, BG-340-900-0808, CT-310-900-0808

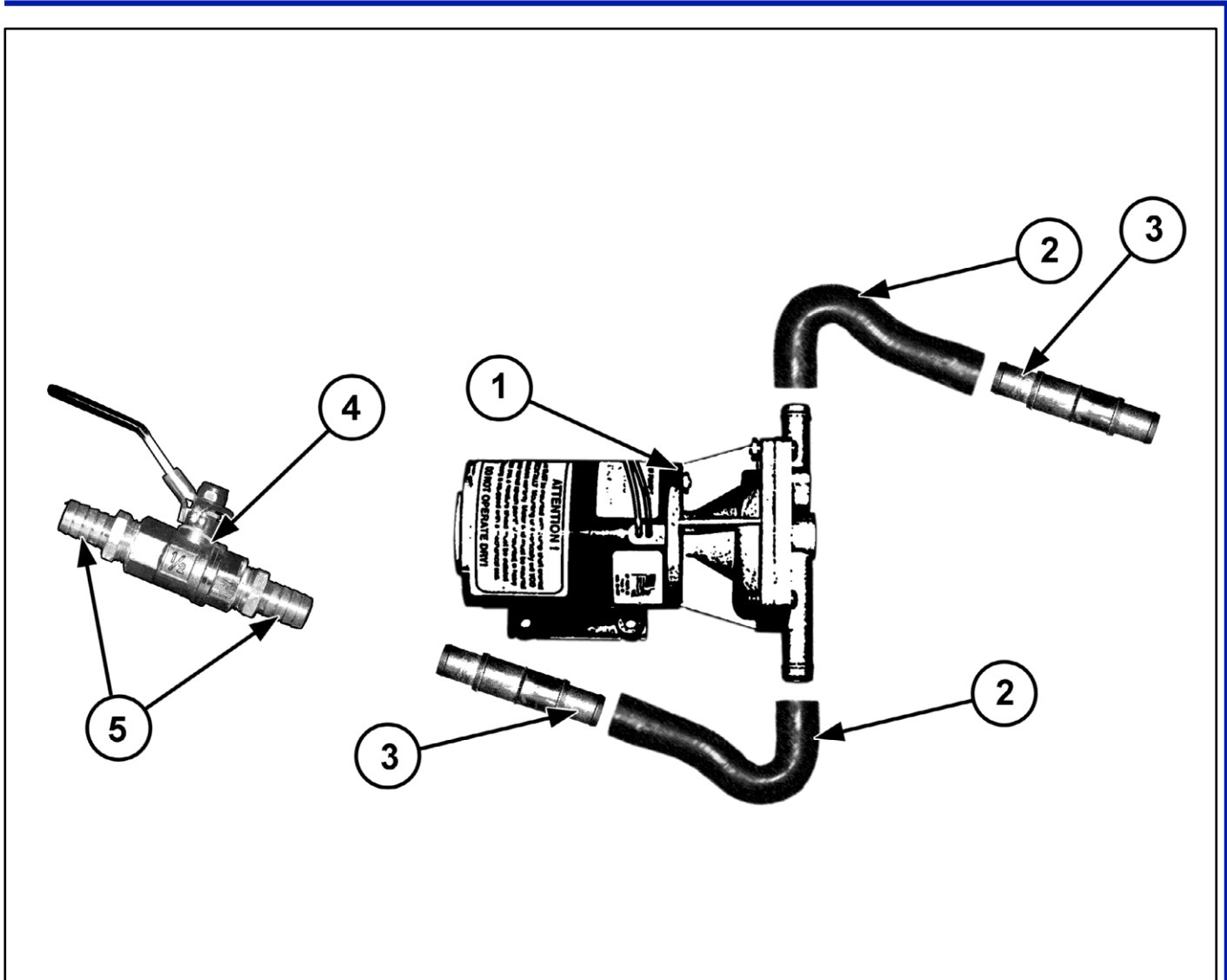


Auxiliary Floor Heater 65K BTU

Item	Part Number	Description	QTY	Item	Part Number	Description	QTY
01	1770822	HEATER,65,000 BTU	1				
02	1016832	COIL, HEATER 65K	1				
03	1015091	FAN,HEATER MOTOR REAR	2				
04	TBD	Motor Holder	1				
05	1013175	MOTOR,HEATER	2				
06	3371964	COVER,HEATER FLOOR ABS	1				

Also Found in Assemblies:

0402608, 0402974, 0402973, CM-270-900-0807, 0403226, 0403311, 0403538, 0403820, 0403864, CO-301-998-0002, 0404459, 0404823, 0404995, 0405285, 0405500, 0405653, 0405885, 0405979, 0406281, 0406559, DF-250-900-0807, BG-340-900-0807, BG-320-900-0807, S23000040807, CT-300-999-0807, CT-380-900-0807, 0407665 CT-330-999-0807, CH-230-998-0807, AB-300-999-0807, 0409308 CT-260-998-0807, DF2500040807, CC3500040807, DF3500040807, CT3800040807

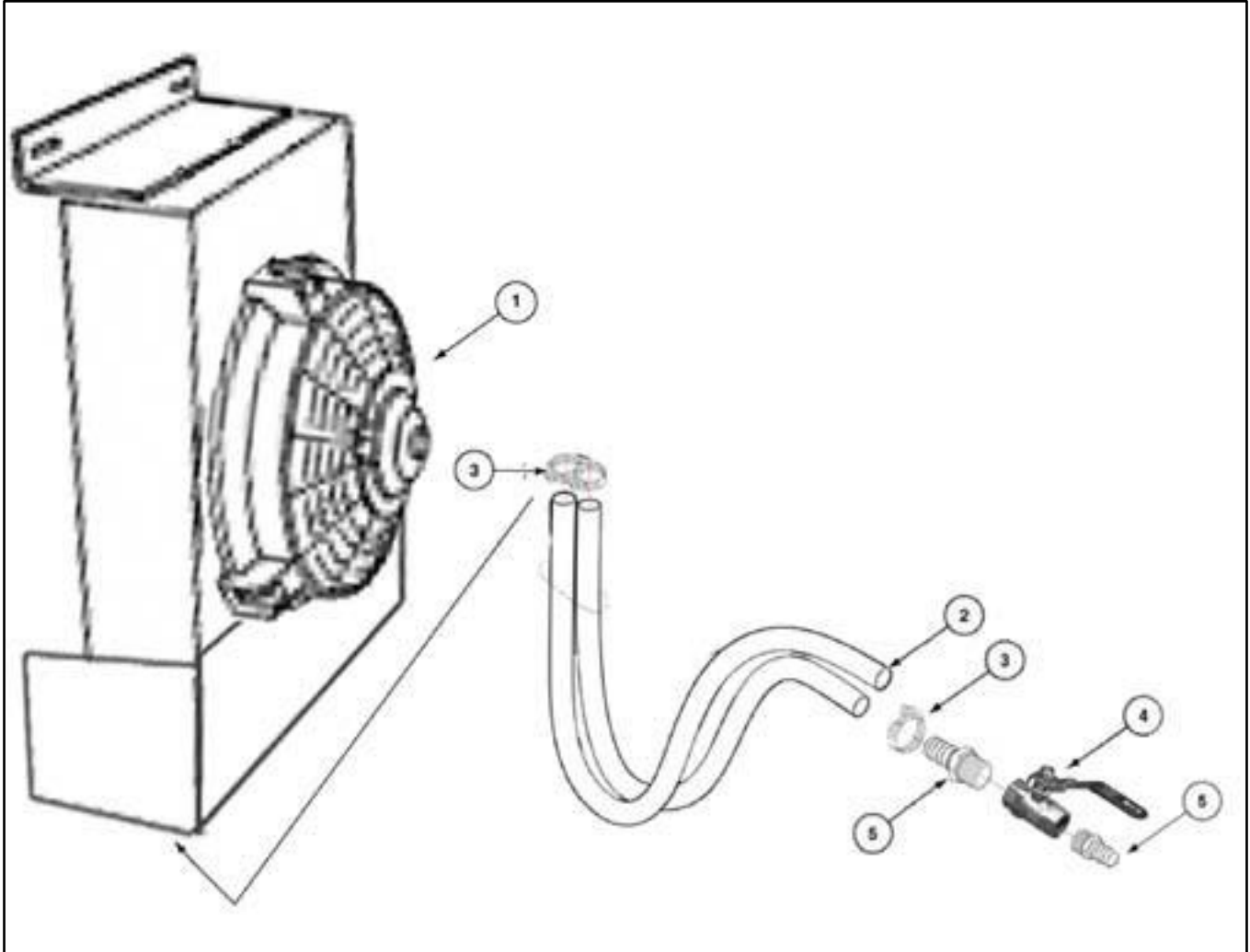


Auxiliary Floor Heater Circulation Pump and Hose

Item	Part Number	Description	QTY	Item	Part Number	Description	QTY
01	2370046	PUMP,CIRCULATOR 12 VOLT 5/8"	1				
02	1770884	ELBOW,RUBBER 60 DEG X 5/8 HOSE	2				
03	2970724	FITTING,SPLICE 5/8 HEATER HOSE	2				
04	2970407	Valve, BALL Threaded ball 1/2"	1				
05	2943314	FITTING,ADAPTER 1/2MPT X 5/8 BARB	2				
N/S	2970457	HOSE,HEATER 5/8 I.D. HI-MILER	A/R				
N/S	3371964	COVER,HEATER FLOOR ABS (optional)	1				
N/S	0770070	INSULATION,PIPE HOSE 6' (optional)	A/R				

Also Found in Assemblies:

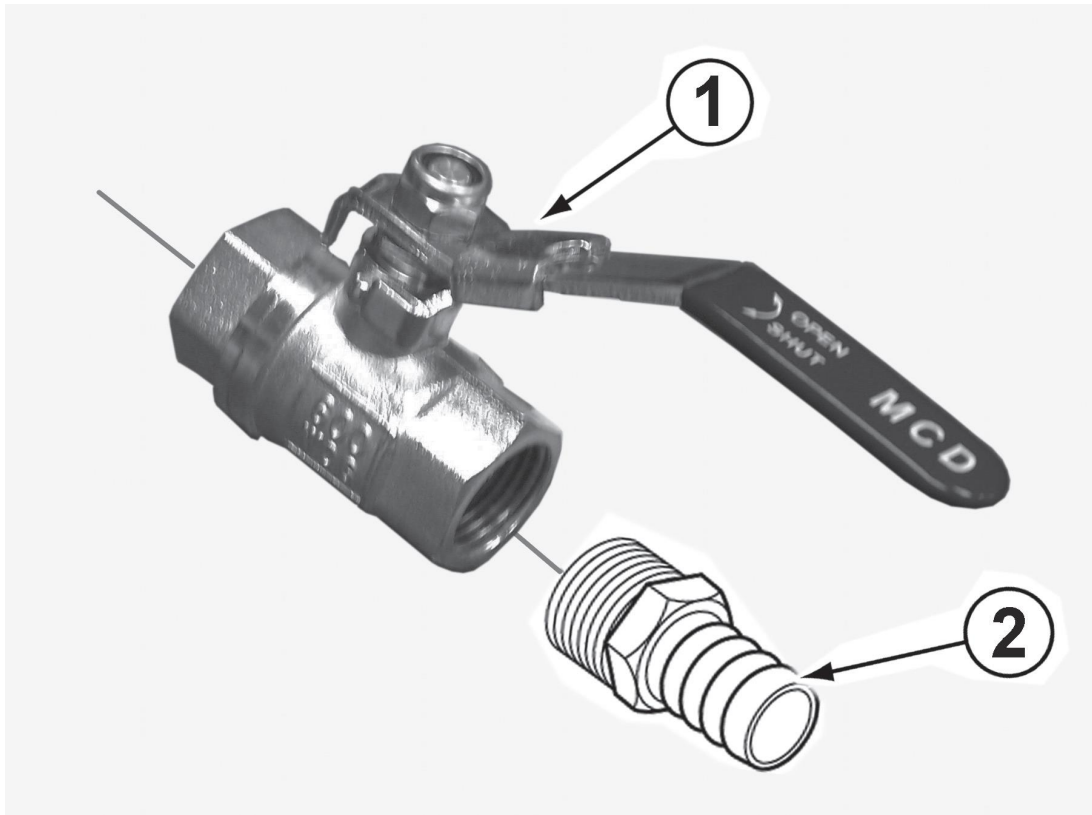
CH-000-900-0809, CT-000-900-0809, EZ-000-900-0809
 0415656, EZ000NJ40809, EZ000NK40809, CH000FP40809
 CR000GC40809, CH000FU40809, CH000GV40809, 0420570
 CH000GX40809, CH000GU40809, CH000GY40809, 0420334
 CH000GI40809, DF000GT40809, DF000GO40809, 0420801
 DF000GI40809, DF000GY40809, DF000GX40809, 0420555
 DF000NH40809, DF000GU40809, DF000NI40809, DF000NJ40809
 DF000NK40809, HC000ND40809, HC000NJ40809, HC000NF40809
 DF000NF40809DF000ND40809, CT000MD40809, CT000MJ40809
 CT000ME40809, RE000XC40809, CH000FF40809, CH000GT40809



heater 65k btu - wall mount 0407650-pdot / 0405320-pdot

<i>ITEM PART NO. DESCRIPTION</i>	<i>QTY</i>	<i>ITEM PART NO. DESCRIPTION</i>	<i>QTY</i>
0407650-PDOT WALL MOUNT HEATER 65K BTU		0402967 Install, Switch Rear Heater	
1 1770865 Heater, 65,000 BTU Wall Mount	1	NS 3973976 Switch, Carling On/Off/On**	1
2 2970457 Hose, Heater 5/8 ID Hi-Temp	AR	NS 3947066 Connector, RT	1
03 4970430 Clamp, Hose 1/2 - 1-1/18 #10	10	NS 3970183 Receptical, Fast-On #187	5
NS 3974667 Harness, Heater Extension GXL	1		
0405320-PDOT Install, 1/2" Ball Valve For 5/8 Htr Hose		0403313 Install, Hose Shield Rear Heater	
4 2970407 Valve, Threaded Ball Type 1/2" B600	2	NS 3371964 Cover, Heater Floor ABS	1
5 2943314 Fitting, Adapter 1/2MPT x 5/8 Barb	2		
NS 3973889 Actuator, Rear Heater	1		

****For pictures of the heater switch mentioned above, go to the "ELECTRICAL" section of this manual and refer to the "DASH SWITCHES" page.**



**1/2" Ball Valve for 5/8 htr hose
CX0000040163**

<i>ITEM PART NO. DESCRIPTION</i>	<i>QTY</i>	<i>ITEM PART NO. DESCRIPTION</i>	<i>QTY</i>
1 2970407 Valve, Threaded Ball 1/2"	1		
2 2943314 Fitting, Adapter 1/2 MPT x 5/8 Brass	2		

No Picture Available at This Time

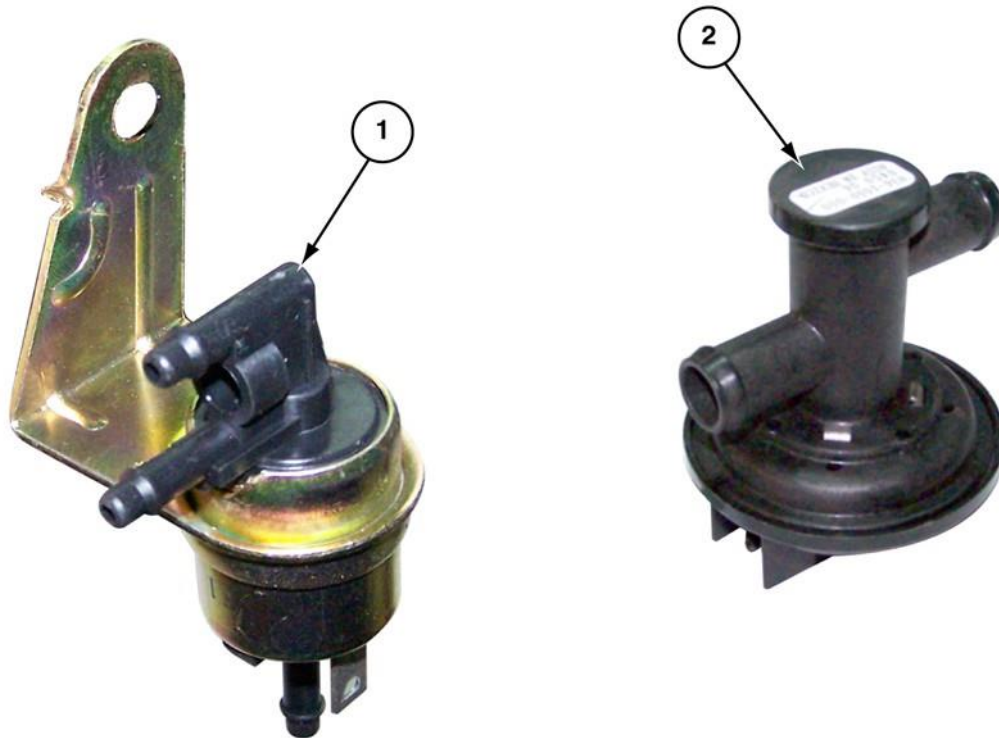
heater webasto thermo 90s
0413950 / 0412185

<i>ITEM PART NO. DESCRIPTION</i>	<i>QTY</i>	<i>ITEM PART NO. DESCRIPTION</i>	<i>QTY</i>
0413950 Webasto Heater Thermo 90W			
1 1771151 Heater, Thermo 90S Webasto	1		
2 1771152 Heater, Timer Thermo 90S Webasto	1		
0412185 Heater Hose Pipe Wrap			
NS 0770049 Insulation, Pipe 3/8 x 7/8 x 6' Slit	6		



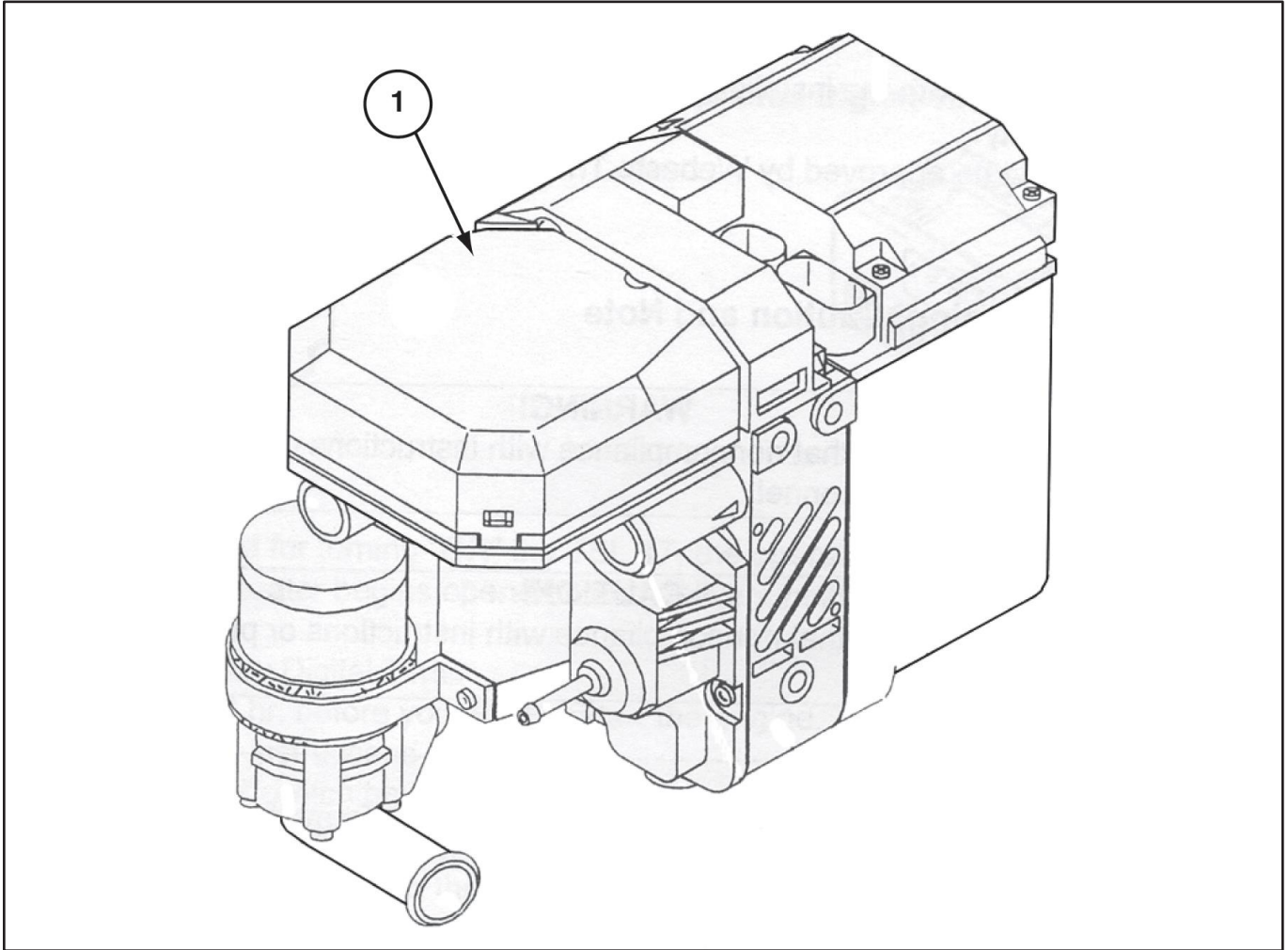
Heater espar Coolant 17K with timer 0417096

<i>ITEM PART NO. DESCRIPTION</i>	<i>QTY</i>	<i>ITEM PART NO. DESCRIPTION</i>	<i>QTY</i>
1 1771520 Heater, Espar D5 Coolant 17K	1		
2 1771521 Tube, Fuel Pickup Espar 2mm x 26"	1		
NS 1771522 Fitting, Compression 1/2" NPT Fuel	1		



ELECTRIC HEATER SHUT-OFF VALVE
0412999

<i>ITEM PART NO. DESCRIPTION</i>	<i>QTY</i>	<i>ITEM PART NO. DESCRIPTION</i>	<i>QTY</i>
1 1771002 SWITCH, ELECTRIC VACUUM	1		
2 1771003 VALVE, VACUUM SHUT-OFF	1		
N/S 2970433 HOSE, (5/32" I.D.)	A/R		



Install, heater webasto tsl17 0415521

<i>ITEM PART NO. DESCRIPTION</i>	<i>QTY</i>	<i>ITEM PART NO. DESCRIPTION</i>	<i>QTY</i>
01 1771031 Heater, Coolant Webasto TSL17	1		
N/S 2971068 Kit, Tube Pick Up International 3200	1		



CHAMPION
BUS, INC.
Thor Industries Commercial Bus Division

SECTION 9:

SEaTS



seat fabric

<i>ITEM PART NO. DESCRIPTION</i>	<i>QTY</i>	<i>ITEM PART NO. DESCRIPTION</i>	<i>QTY</i>
01 SEE ENCLOSED "ORDER VERIFICATION" FOR SEAT STYLE AND FABRIC			



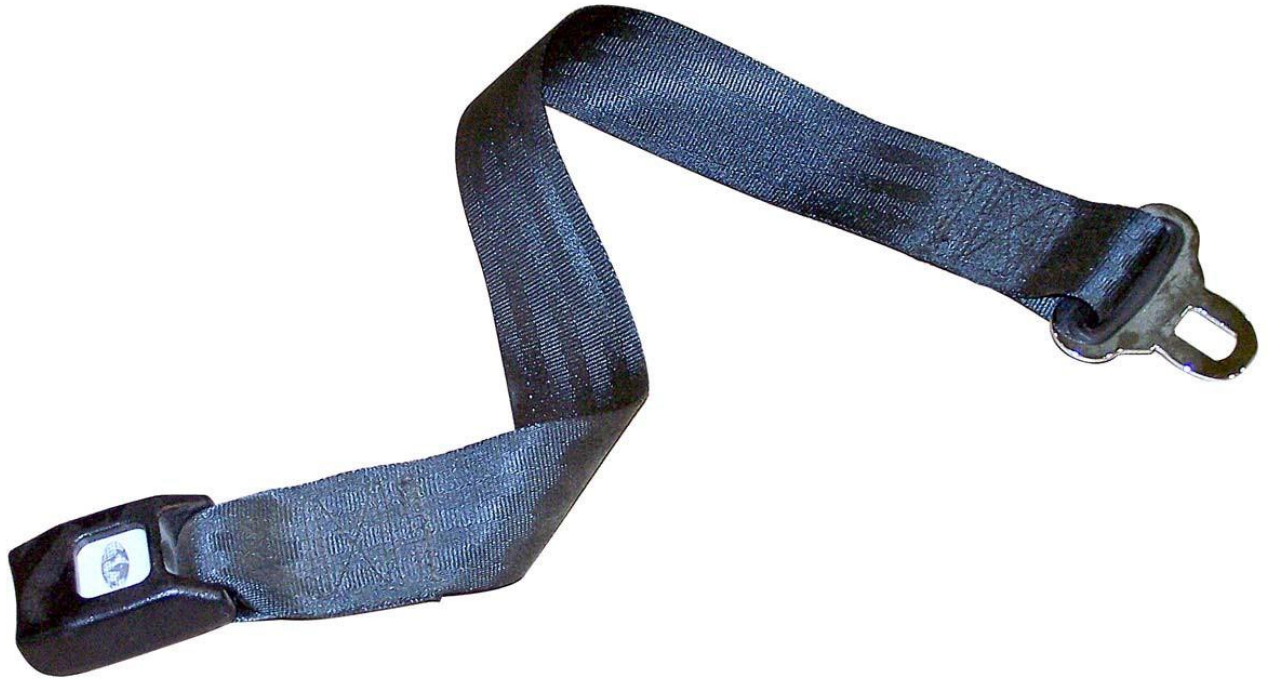
**INSTALL 2-POINT RETRACTABLE SEAT BELT
CX-000-900-4015**

<i>ITEM</i>	<i>PARTNO.</i>	<i>DESCRIPTION</i>	<i>QTY</i>	<i>ITEM</i>	<i>PARTNO.</i>	<i>DESCRIPTION</i>	<i>QTY</i>
01	7371944	SEATBELT,2-POINT RETRACTABLELAP	1				



SEAT BELT RETRACTOR (PER PASSENGER)
CX-000-900-4014

<i>ITEM</i>	<i>PARTNO.</i>	<i>DESCRIPTION</i>	<i>QTY</i>	<i>ITEM</i>	<i>PARTNO.</i>	<i>DESCRIPTION</i>	<i>QTY</i>
01	7371591	KIT, Q-STRAINT TIEDOWN (Q-8105A1-L)	1				
NS	4570061	TRACK, ALUMINUM TIEDOWN w/o FLANGE	A/R				
NS	7371347	POUCH, Q-STRAINT TIEDOWN (BLACK/VINYL)	1				
NS	7371405	CUTTER, TIEDOWN BELT	1				



24" SEAT BELT EXTENSION
CX-000-900-0044

<i>ITEM</i>	<i>PARTNO.</i>	<i>DESCRIPTION</i>	<i>QTY</i>	<i>ITEM</i>	<i>PARTNO.</i>	<i>DESCRIPTION</i>	<i>QTY</i>
01	7371082	EXTENSION, 24" SEATBELT	1				



SEAT BELT WEB CUTTERS
CX-000-900-0613 / CX-000-999-0613

<i>ITEM</i>	<i>PART NO.</i>	<i>DESCRIPTION</i>	<i>QTY</i>	<i>ITEM</i>	<i>PART NO.</i>	<i>DESCRIPTION</i>	<i>QTY</i>
01	7371405	CUTTER, TIEDOWN BELT (Q'STRAIT)	1				
NS	7371569	CUTTER, TIEDOWN BELT (SURE-LOK)	1				



CHAMPION
BUS, INC.
Thor Industries Commercial Bus Division

SECTION 10:

SafETy & DECals



**PRIORITY SEATING FOR PERSONS WITH
DISABILITIES. OTHER PASSENGERS
SHOULD MAKE THESE SEATS AVAILABLE
TO THOSE WHO WISH TO USE THEM**

**PRIORITY SEATING SIGN (ADA)
CX-000-900-3132**

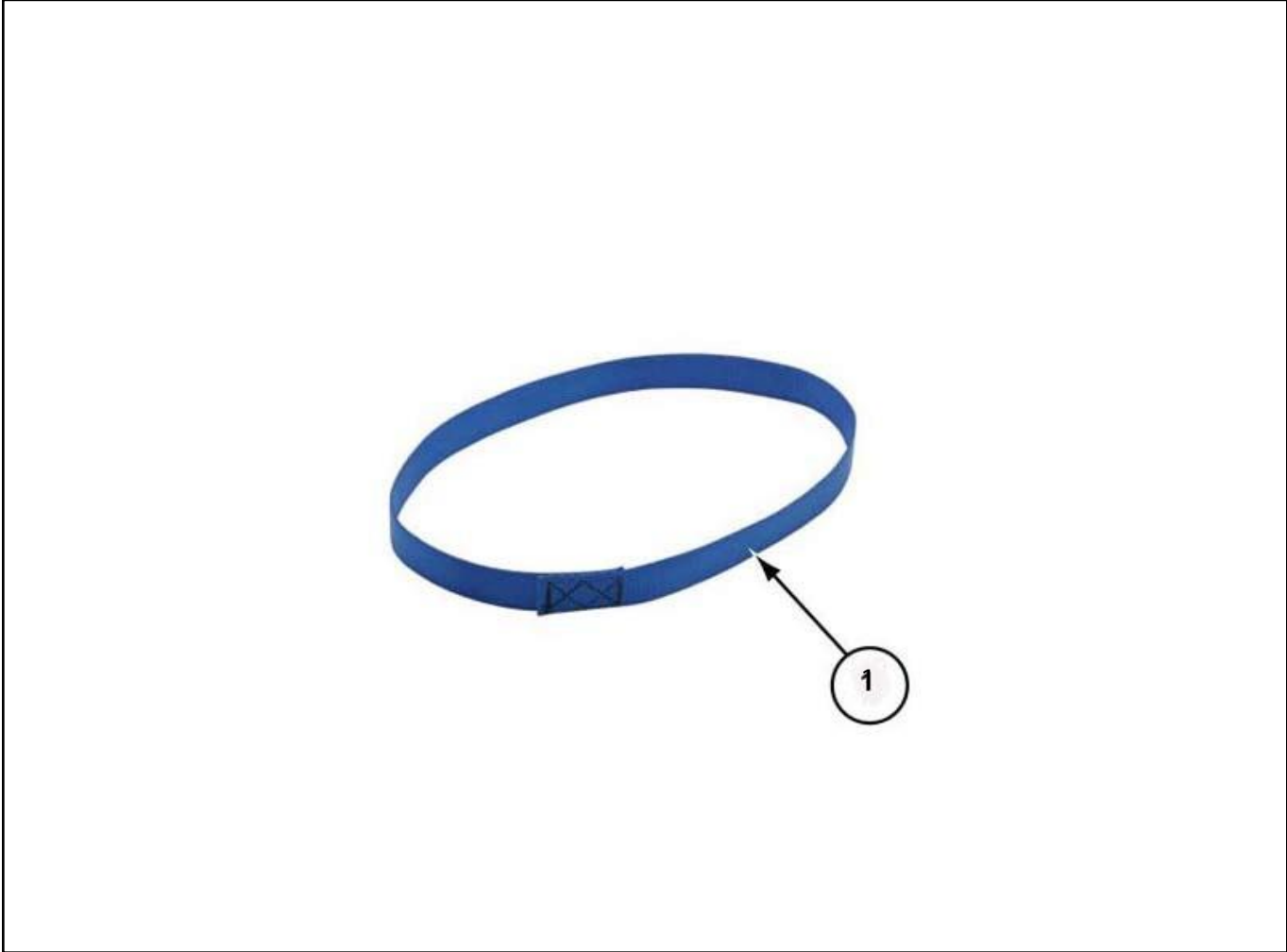
<i>ITEM PART NO. DESCRIPTION</i>	<i>QTY</i>	<i>ITEM PART NO. DESCRIPTION</i>	<i>QTY</i>
01 8970154 DECAL, "PRIORITY SEATING"	1		

**FORWARD FACING
WHEELCHAIR SECUREMENT LOCATION**



**WHEELCHAIR LOCATION SIGN
CX-000-900-3173**

<i>ITEM PART NO. DESCRIPTION</i>	<i>QTY</i>	<i>ITEM PART NO. DESCRIPTION</i>	<i>QTY</i>
01 8970800 LABEL, FWD FACING WHEELCHAIR	1		



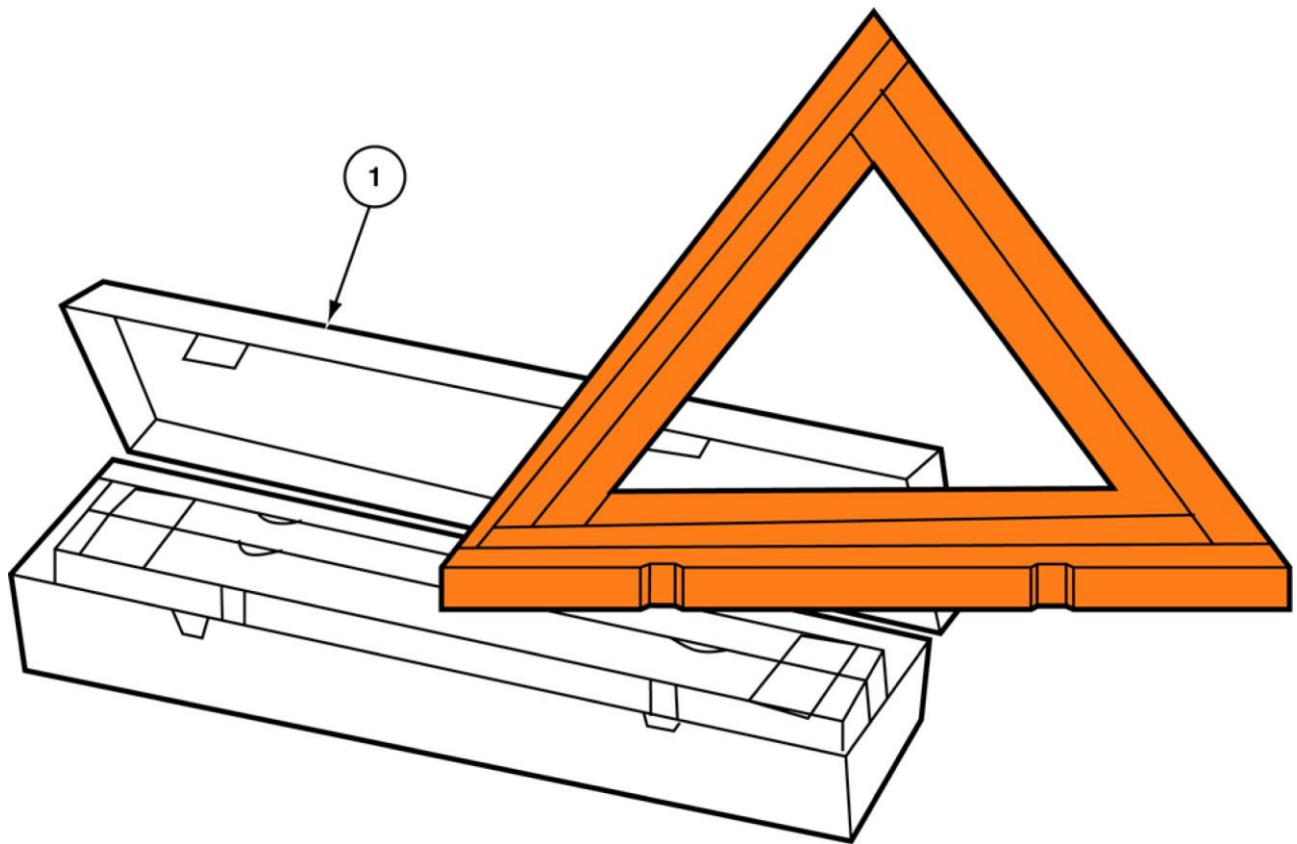
Webbing loops
0415014

<i>ITEM PART NO. DESCRIPTION</i>	<i>QTY</i>	<i>ITEM PART NO. DESCRIPTION</i>	<i>QTY</i>
01 7371533 Loop, Webbing Q'-Straint	4		



SEAT BELT WEB CUTTERS
CX-000-900-0613 / CX-000-999-0613

<i>ITEM</i>	<i>PART NO.</i>	<i>DESCRIPTION</i>	<i>QTY</i>	<i>ITEM</i>	<i>PART NO.</i>	<i>DESCRIPTION</i>	<i>QTY</i>
01	7371405	CUTTER, TIEDOWN BELT (Q'STRAIT)	1				
NS	7371569	CUTTER, TIEDOWN BELT (SURE-LOK)	1				



reflective warning triangle

cX0000072827 / CX-000-900-2827

<i>ITEM</i>	<i>PART NO.</i>	<i>DESCRIPTION</i>	<i>QTY</i>	<i>ITEM</i>	<i>PART NO.</i>	<i>DESCRIPTION</i>	<i>QTY</i>
01	6140792	KIT, TRIANGLE WARNING #449	1				
N/S	8570715	SCREW (10 x 5/8 PAN PHIL BLACK OXIDE)	4				
N/S	8570743	SCREW (10 x 3/4 PAN QUADREX BLACK)	4				



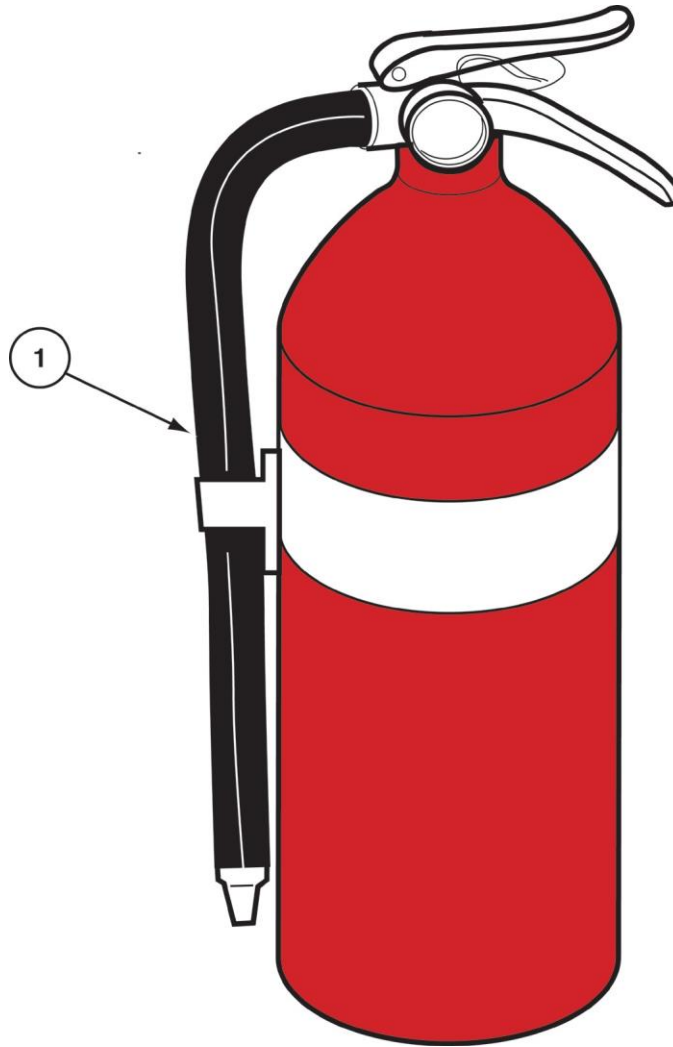
**BLOODBORNE DISEASE KIT
CX-000-900-4035**

<i>ITEM PARTNO. DESCRIPTION</i>	<i>QTY</i>	<i>ITEM PARTNO. DESCRIPTION</i>	<i>QTY</i>
01 6170139 KIT,BODILYFLUIDSDISPOSAL#2550	1		



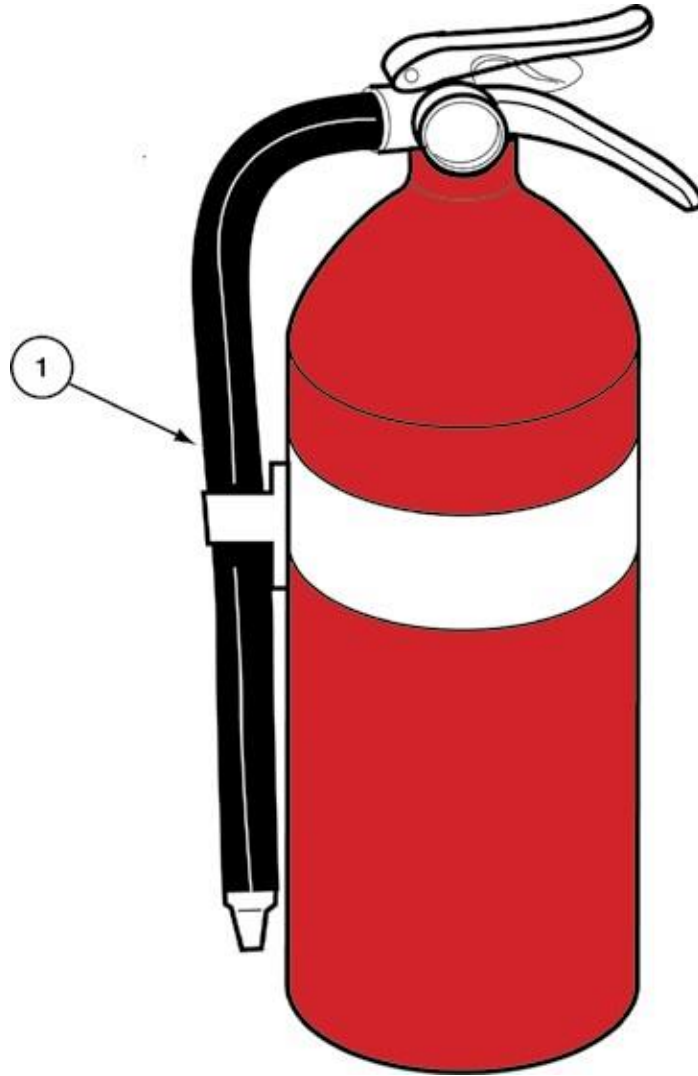
**BIO HAZARD KIT
0412189**

<i>ITEM PARTNO. DESCRIPTION</i>	<i>QTY</i>	<i>ITEM PARTNO. DESCRIPTION</i>	<i>QTY</i>
01 6170353 KIT, BIO-HAZARD (2555OVERSIZED)	1		



5lb fire extinguisher
Cx-000-900-0603 / Cx0000070603

<i>ITEM</i>	<i>PART NO.</i>	<i>DESCRIPTION</i>	<i>QTY</i>	<i>ITEM</i>	<i>PART NO.</i>	<i>DESCRIPTION</i>	<i>QTY</i>
01	6170108	EXTINGUISHER, FIRE (5 LB.)	1				
N/S	8570945	SCREW (10 x 3/4 PAN QUAD)	4				



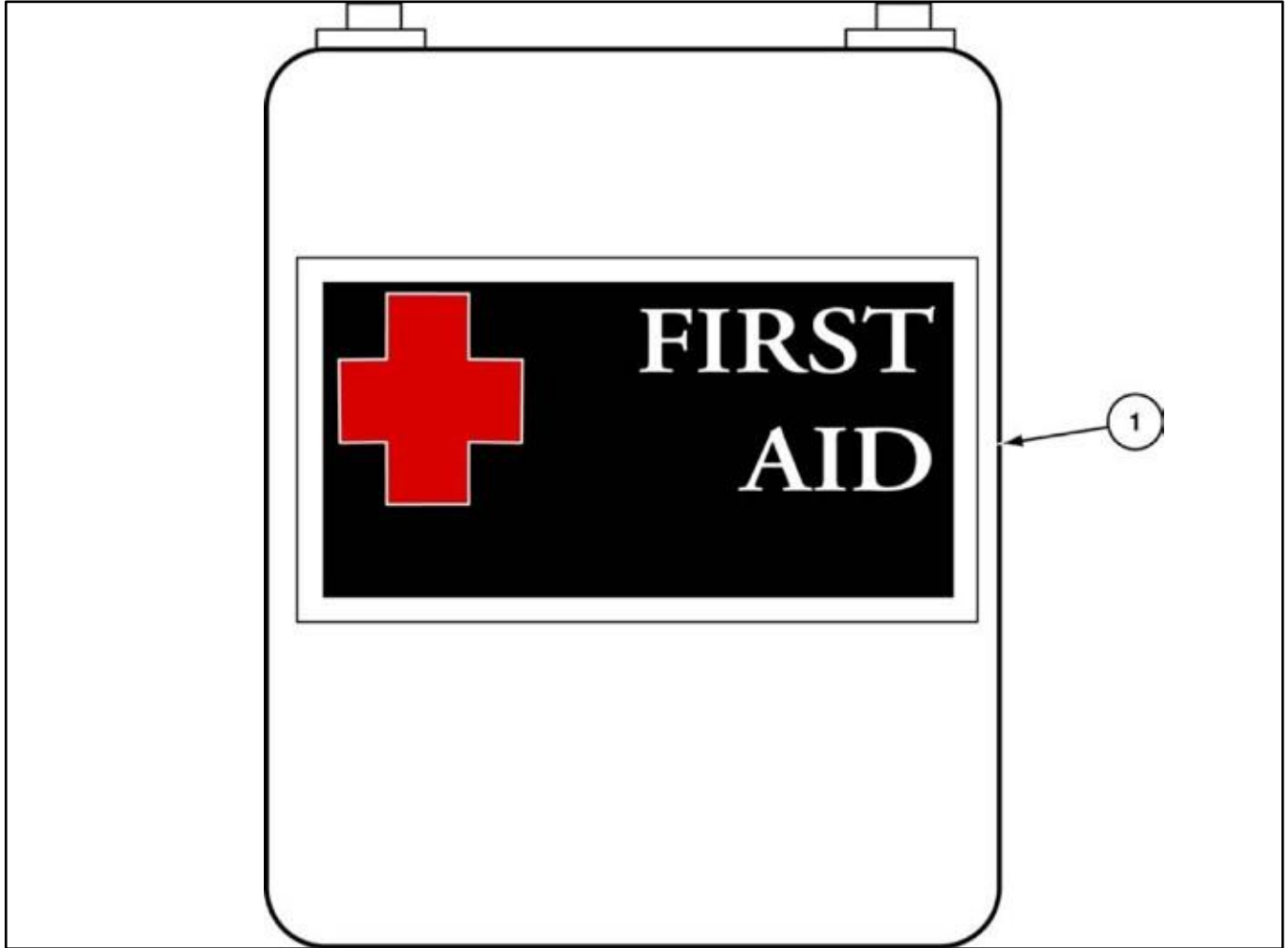
10 LB Fire extinguisher
cx-000-900-3034

ITEM	PART NO.	DESCRIPTION	QTY	ITEM	PART NO.	DESCRIPTION	QTY
01	6170110	Extinguisher, Fire (10 lb.)	1				
N/S	6170109	Bracket, Extinguisher	1				
N/S	8570931	Screw (8x1) Pan Quad Tek Clear Empiguard	1				



FIRST AID KIT (13 UNITS)
CX-000-900-0604 / CX0000070604

<i>ITEM PART NO. DESCRIPTION</i>	<i>QTY</i>	<i>ITEM PART NO. DESCRIPTION</i>	<i>QTY</i>
01 6140784 KIT, FIRST AID SMALL WITH BUS FILL	1		
N/S 8570946 SCREW, (1" x 1/2) PAN QUAD EMPGD CLEAR	3		



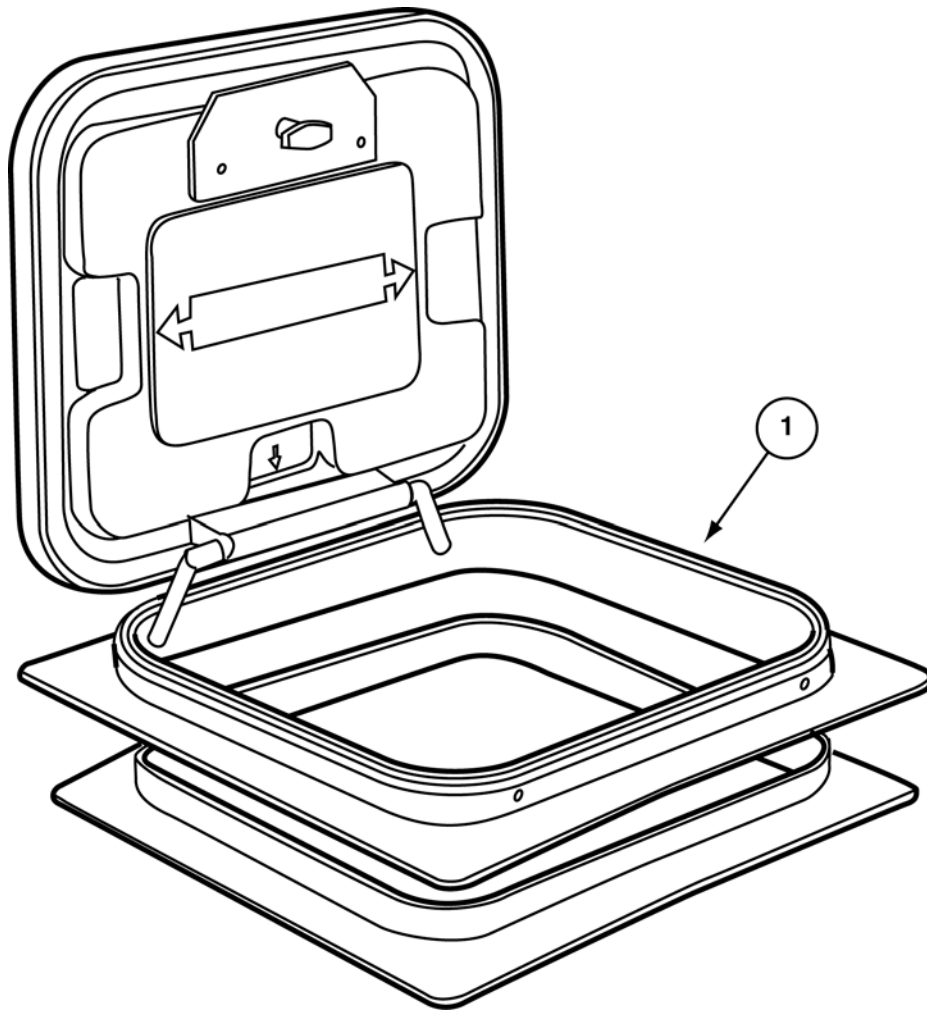
first aid kit
0410293/cx0000073036

<i>ITEM PART NO. DESCRIPTION</i>	<i>QTY</i>	<i>ITEM PART NO. DESCRIPTION</i>	<i>QTY</i>
01 6170301 Kit, First Aid (29 Unit)	1		



ESCAPE HATCH W/TETHER & ALARM 0421018

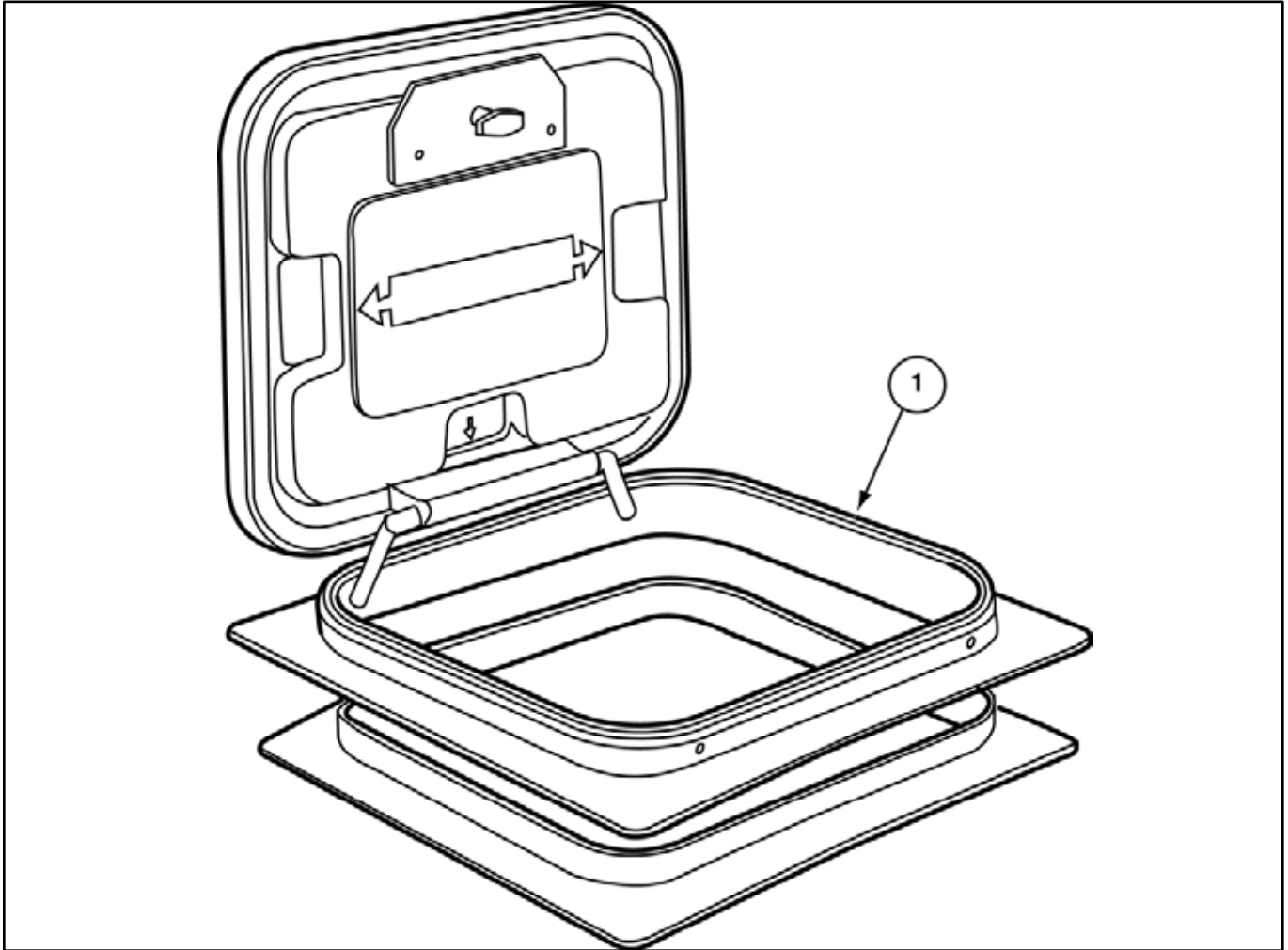
<i>ITEM PART NO. DESCRIPTION</i>	<i>QTY</i>	<i>ITEM PART NO. DESCRIPTION</i>	<i>QTY</i>
01 0171961 Hatch, Escape Hatch W/Tether & Alarm	1		



ESCAPE HATCH

0408763 / CX0000074004

<i>ITEM</i>	<i>PARTNO.</i>	<i>DESCRIPTION</i>	<i>QTY</i>	<i>ITEM</i>	<i>PARTNO.</i>	<i>DESCRIPTION</i>	<i>QTY</i>
01	1770663	HATCH,ESCAPENON-STATIC	1				
NS	8970397	SEAL, COMPRESSION (1/8 x 3/4 x 45)	A/R				



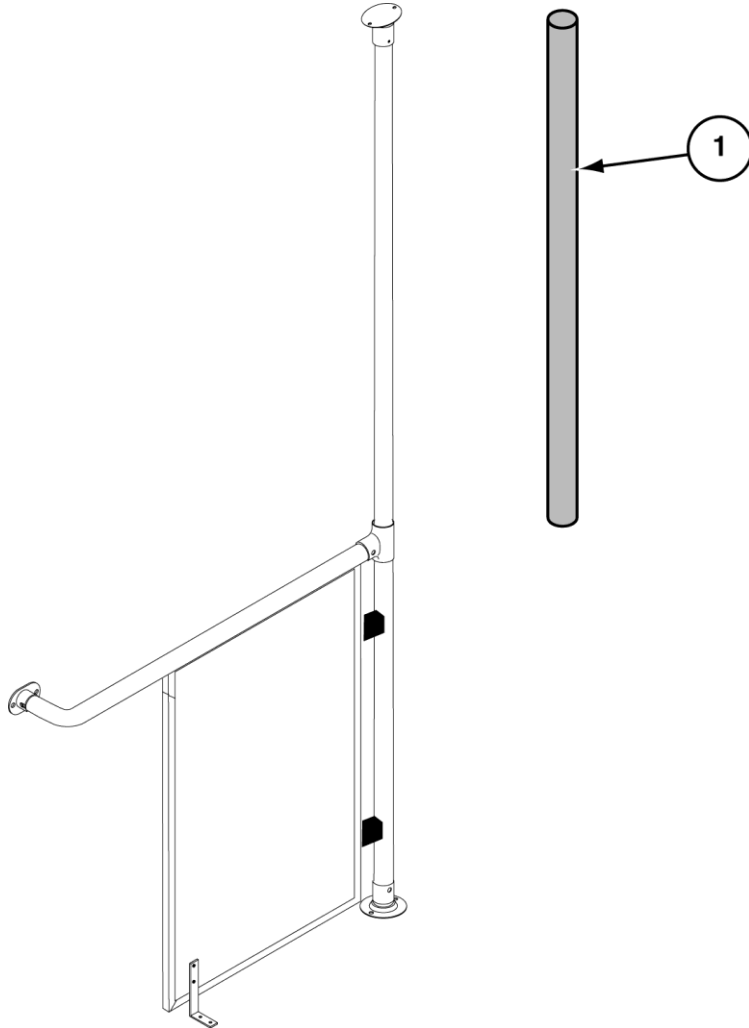
EmErgEncy EscapE Hatch - Eng/spn 0414342

<i>ITEM PART NO. DESCRIPTION</i>	<i>QTY</i>	<i>ITEM PART NO. DESCRIPTION</i>	<i>QTY</i>
01 1771174 Hatch, Escape Non-Static	1		



PROLO ESCAPE HATCH
0411750

<i>ITEM</i>	<i>PARTNO.</i>	<i>DESCRIPTION</i>	<i>QTY</i>	<i>ITEM</i>	<i>PARTNO.</i>	<i>DESCRIPTION</i>	<i>QTY</i>
01	1770992	HATCH,ESCAPEPROLO#9245	1				



stanchion padding - deluxe (Black)
cx0000071913 / cx-000-900-1913B

<i>ITEM PART NO. DESCRIPTION</i>	<i>QTY</i>	<i>ITEM PART NO. DESCRIPTION</i>	<i>QTY</i>
01 6170246 Pad, Stanchion Black 36"	3		



diamond farebox nv w/2 vaults
cx0000080056

<i>ITEM PART NO. DESCRIPTION</i>	<i>QTY</i>	<i>ITEM PART NO. DESCRIPTION</i>	<i>QTY</i>
01 6570063 Farebox, Diamond NV W/2 Vaults <i>(Picture is 1 Vault, Similar to 2 Vault)</i>	1		



Small backup alarm
ch-000-900-0208 (rEV-a) / cX0000070208

ITEM	PART NO.	DESCRIPTION	QTY	ITEM	PART NO.	DESCRIPTION	QTY
01	3943396	Alarm Backup (Small)	1				
NS	3942299	TERMINAL, RING BLUE 16-14GA #10 STUD	3				
NS	3971314	WIRE, 14GA GXL WHITE - MARK #2	3				



DASH MOUNTED LED PANEL



BACKSIDE OF HELP® BUMPER
WITH SENSOR & HARNESS

SENSOR

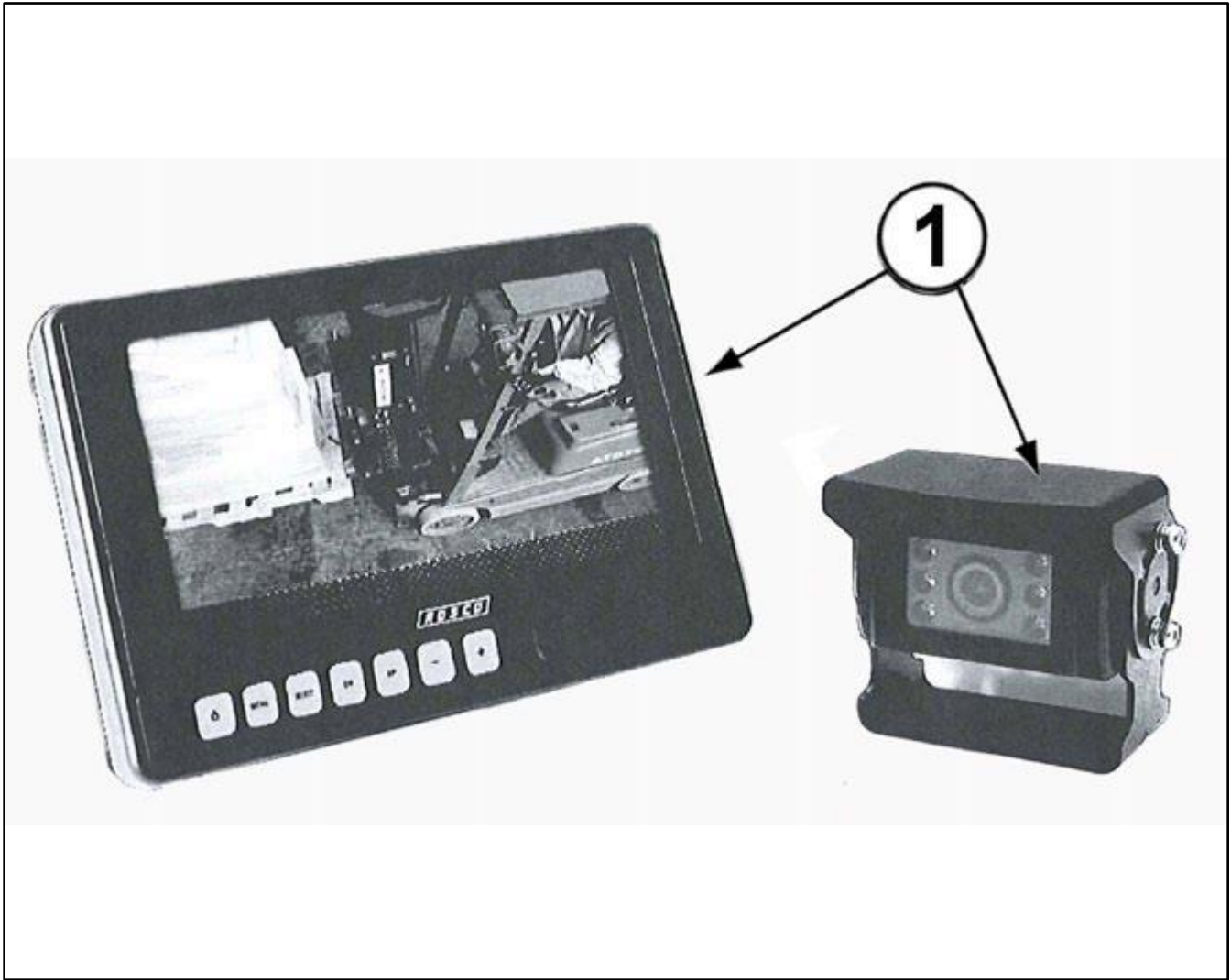
Hawkeye back up alarm 0420655

<i>ITEM PART NO. DESCRIPTION</i>	<i>QTY</i>	<i>ITEM PART NO. DESCRIPTION</i>	<i>QTY</i>
01 3975672 Alarm, Back Up Hawkeye	1		



**CAMERA, SAFETY VISION
0412840P**

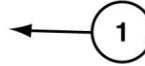
<i>ITEM PART NO. DESCRIPTION</i>	<i>QTY</i>	<i>ITEM PART NO. DESCRIPTION</i>	<i>QTY</i>
01 3978272 Camera, Safety Vision Kit	1		



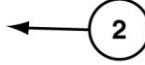
**ROSCO BACKUP CAMERA - HTD
3975372**

<i>ITEM</i>	<i>PART NO.</i>	<i>DESCRIPTION</i>	<i>QTY</i>	<i>ITEM</i>	<i>PART NO.</i>	<i>DESCRIPTION</i>	<i>QTY</i>
00	3975372	Camera, Backup Heated Rosco	1				

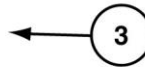
CHAMPION
BUS INC.



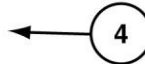
 **THOR**
AMERICA'S BEST BUS INVESTMENT



CHAMPION BUS, INC. HAS DESIGNED, MANUFACTURED, SOLD,
AND CERTIFIED THIS VEHICLE TO CONFORM WITH ALL
MOTOR VEHICLE SAFETY STANDARDS IN EFFECT AT THE
TIME OF MANUFACTURE. THIS VEHICLE IS INTENDED FOR USE
AS A BUS, OR A MULTIPURPOSE PASSENGER VEHICLE, BUT
NOT AS A SCHOOL BUS AS DEFINED BY THE CODE OF
FEDERAL REGULATIONS, TITLE 49. 8970971

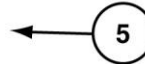


**THIS COVER MUST
BE IN PLACE
AT ALL TIMES**



COOLING SYSTEM WAS CHECKED
BY: _____ DATE: _____
FACTORY INSTALLED COOLING SYSTEM FLUID
WILL PROTECT VEHICLE TO _____

WHEN ADDING COOLANT, REFER TO
OWNERS GUIDE FOR DETAILS.
AS BUILT COOLANT CAP _____



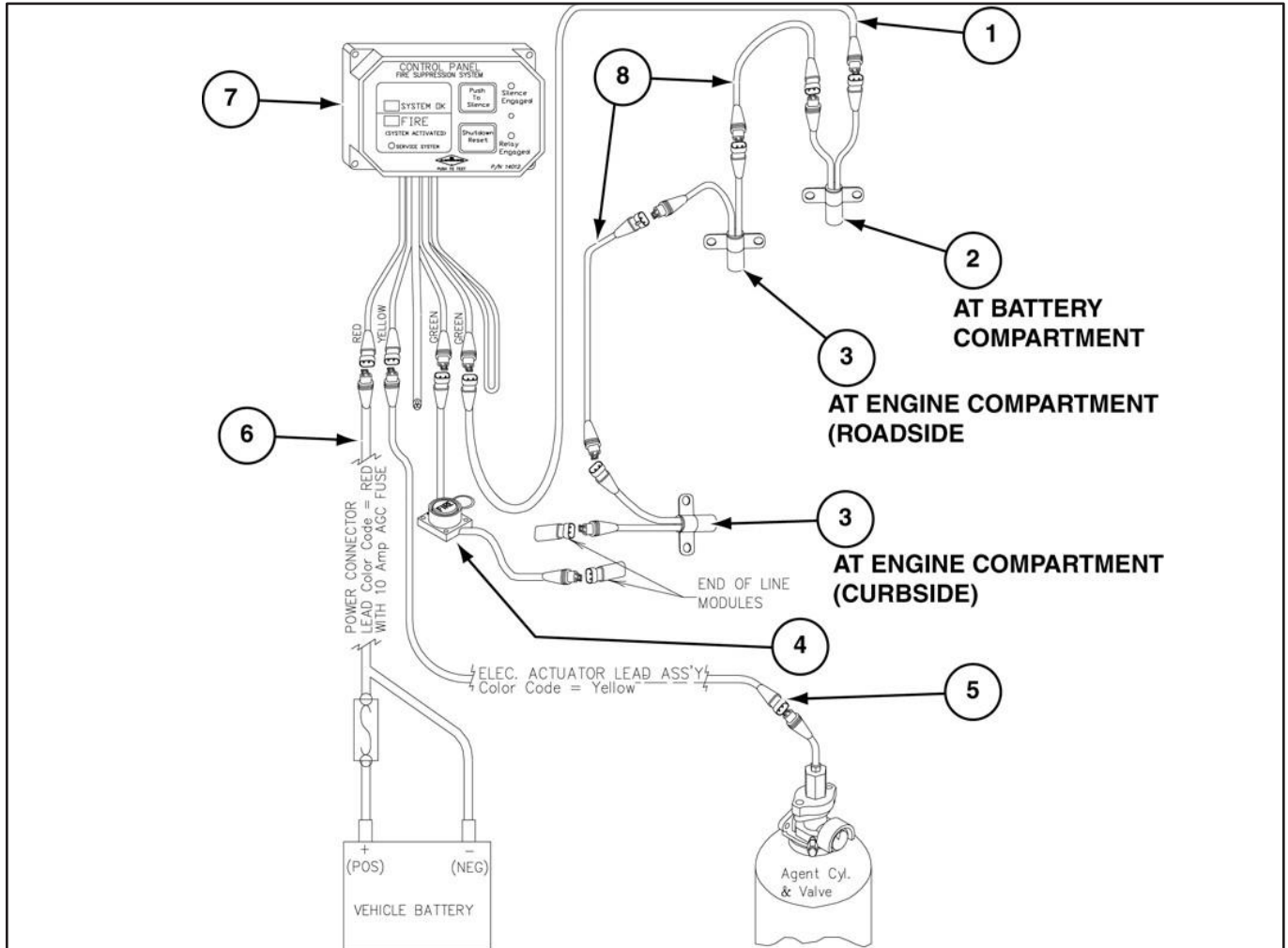
CHAMPION DECALS
0408312, Cx0000080068

ITEM	PART NO.	DESCRIPTION	QTY	ITEM	PART NO.	DESCRIPTION	QTY
01	8980807	EMBLEM, BY CHAMPION	3	CX0000080068 WATCH YOUR STEP SIGN			
02	8970906	DECAL, THOR	3	NS	8970287	LABEL, "WATCH YOUR STEP"	1
3	8970971	LABEL, CONFORMITY TITLE 49	1				
4	8971006	LABEL, COVER MUST IN PLACE...	1	NS	8970287	LABEL, "WATCH YOUR HEAD"	1
5	8971012	DECAL, COOLING WAS CHECKED BY...	1				



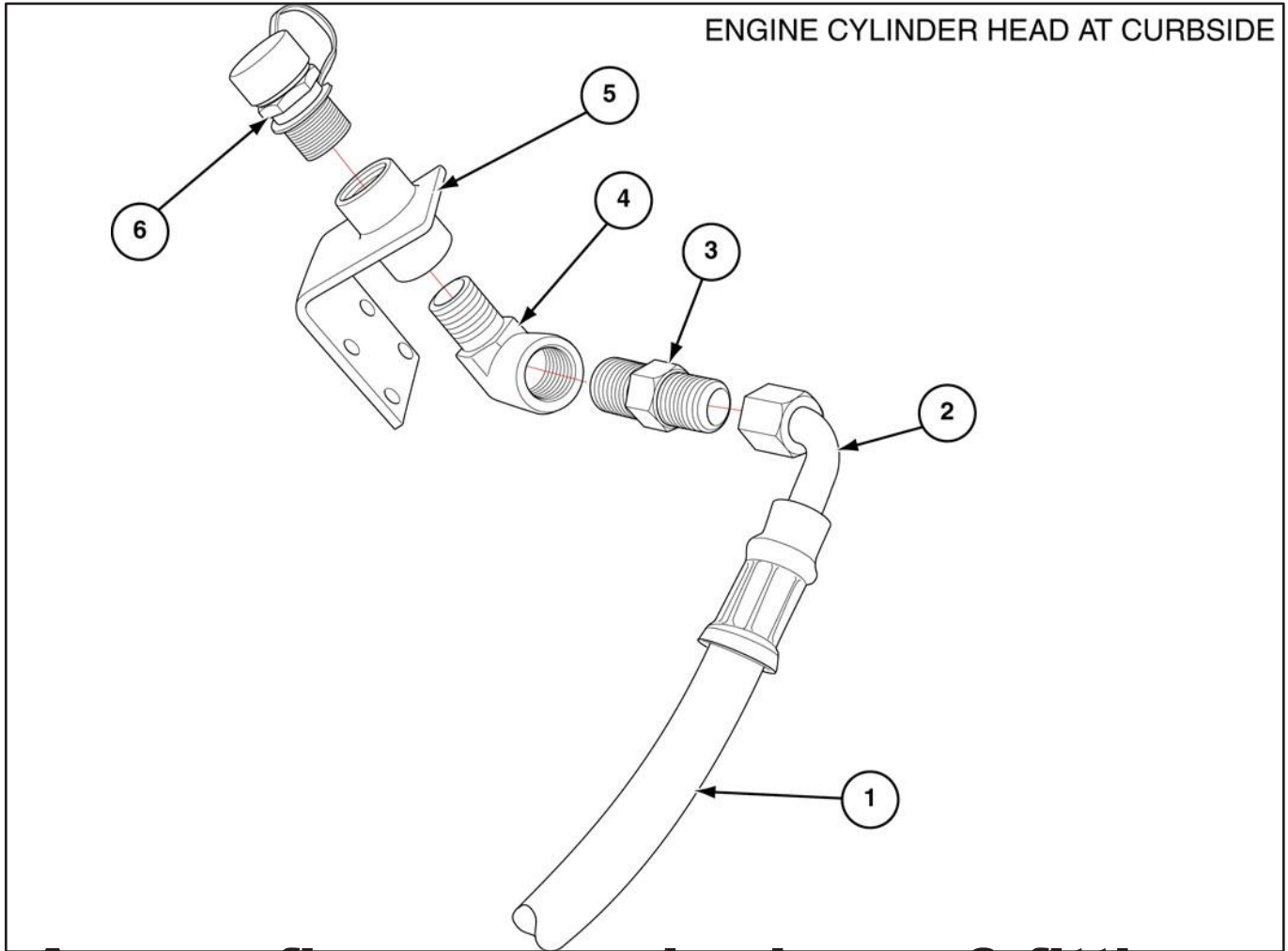
Fasten seat belt sign
CX0000080066

ITEM PART NO.	DESCRIPTION	QTY	ITEM PART NO.	DESCRIPTION	QTY
01	8970607 vinyl, 15" x 150" Black W/O Perf	AR			
Made on site					



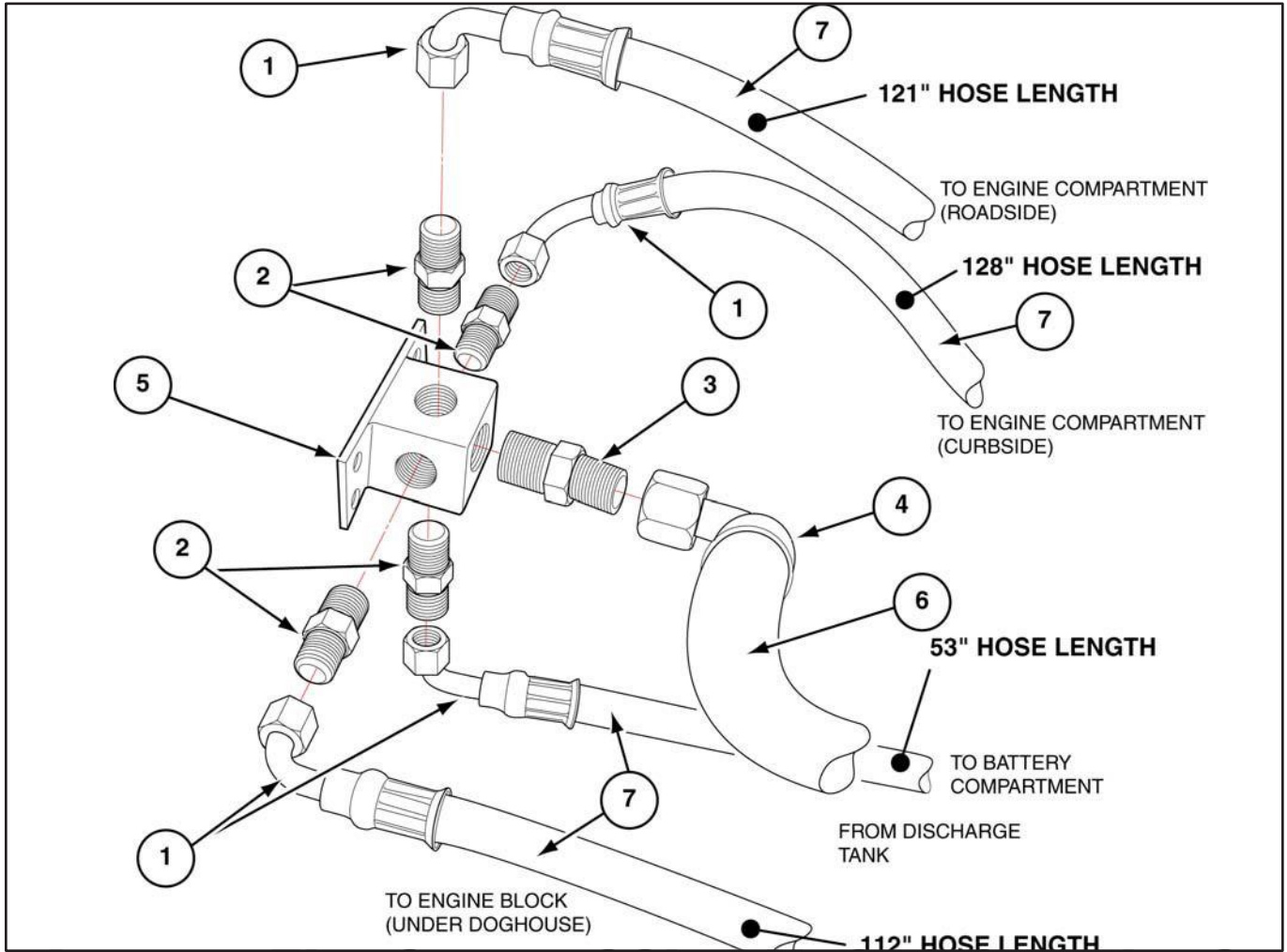
Amerex fire suppression wiring diAgrAm 0415686

ITEM PART NO. DESCRIPTION	QTY	ITEM PART NO. DESCRIPTION	QTY
1 6170427V Lead, Thermostat (15')	1		
2 6170192V Detector, Miniature 280°	1		
3 6170193V Detector, Miniature 350°	2		
4 6170198V Actuator, Manual Switch	1		
5 3973496V Lead, Electric Actuator (20')	1		
06 6170426V Lead, Power (15')	1		
7 3970194V Panel Control	1		
8 6170194V Lead, Modular Hazard (6')	2		



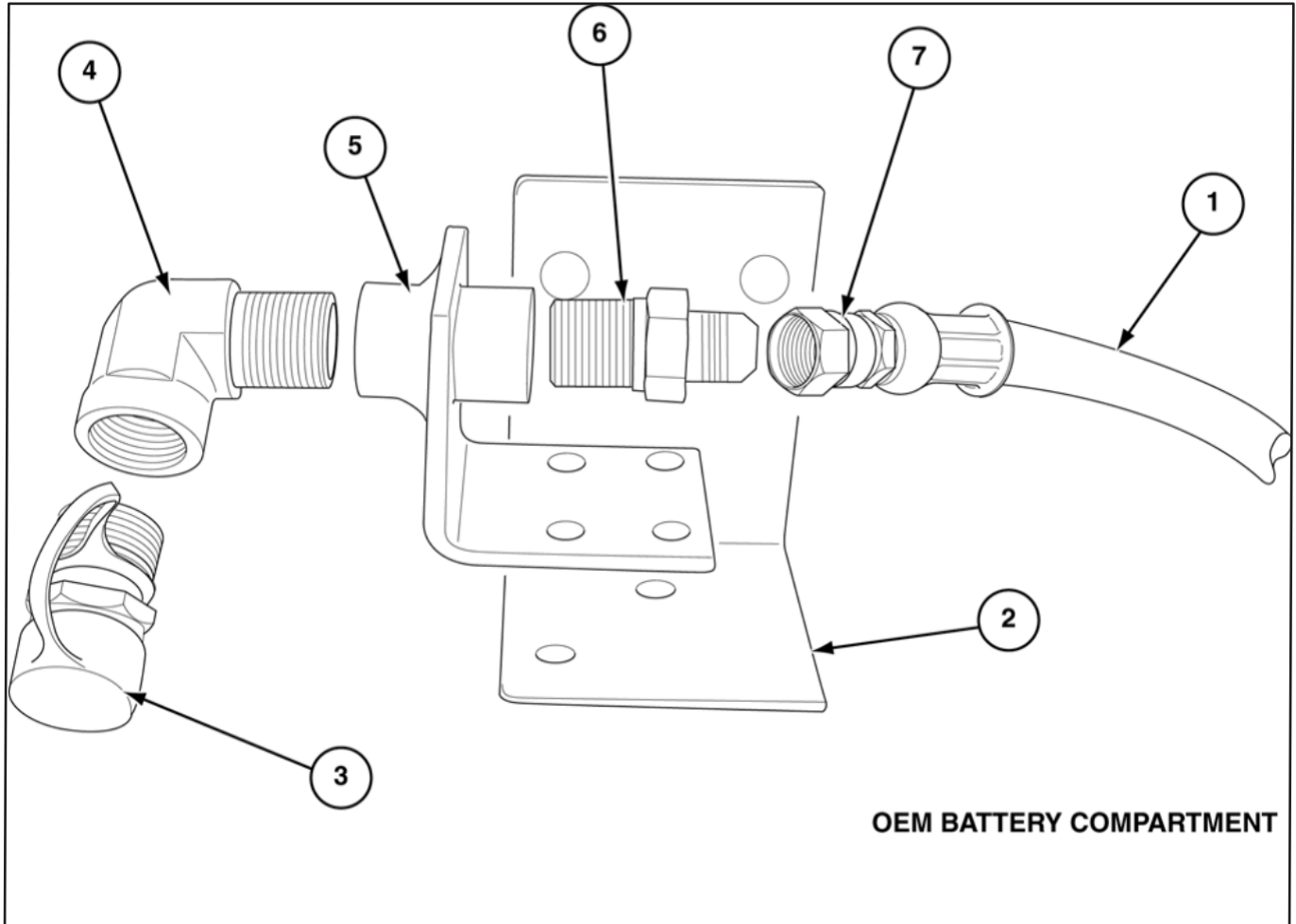
**Amerex fire suppression hoses & fittings
At curbside engine cylinder head
0415686**

<i>ITEM PART NO. DESCRIPTION</i>	<i>QTY</i>	<i>ITEM PART NO. DESCRIPTION</i>	<i>QTY</i>
1 2970949 Discharge Hose, 1/2"	A/R		
2 2970959 Fitting, Elbow 90° Swivel	1		
3 2970895 Fitting, Connector (1/2" MP x 1/2" FP)	1		
4 2971061 Fitting, Elbow Street 90°	1		
5 6170189V Bracket, Nozzle Cone	1		
6 6170188V Cone, Nozzle	1		
NS 0377874 Bracket, Nozzle Cone Bracket	1		



Amerex Fire Suppression Hoses & Fittings At DiStribution block 0415686

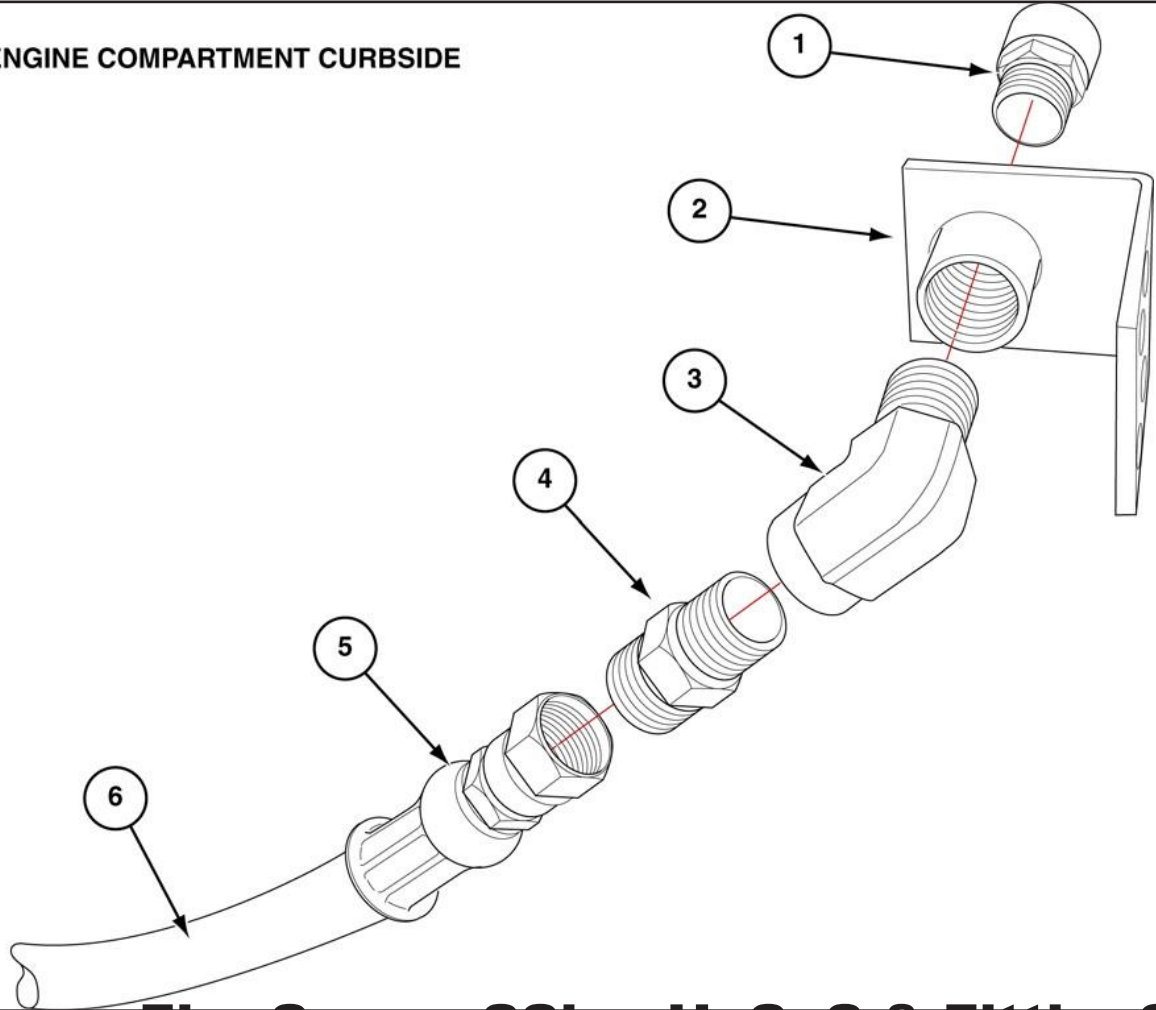
ITEM PART NO. DESCRIPTION	QTY	ITEM PART NO. DESCRIPTION	QTY
1 2970959 Fitting, Elbow 90° Swivel	4		
2 2970895 Fitting, Connector	4		
3 2970898 Fitting, Connector	1		
4 2970957 Fitting, Elbow Swivel 90°	1		
5 6170143V Distributor, Block	1		
6 2970950 Discharge Hose (3/4")	A/R		
7 2970949 Discharge Hose (1/2")	A/R		



Amerex fire suppression hoses & fittings
At oem bAttery compArtnent
0415686

<i>ITEM PART NO. DESCRIPTION</i>	<i>QTY</i>	<i>ITEM PART NO. DESCRIPTION</i>	<i>QTY</i>
1 2970949 Discharge Hose, 1/2"	A/R		
2 0344542 Bracket, Amerex Nozzle Mounting	1		
3 6170188V Cone, Nozzle	1		
4 2971061 Fitting, Steet Elbow 90° (1/2MP x 1/2"FP)	1		
5 6170178V Bracket, Amerex Nozzle Cone	1		
6 2970895 Fitting, Connector (1/2 Tube x 1/2"MPT)	1		
7 2970958 Fitting, Hose (1/2" Straight Female)	1		

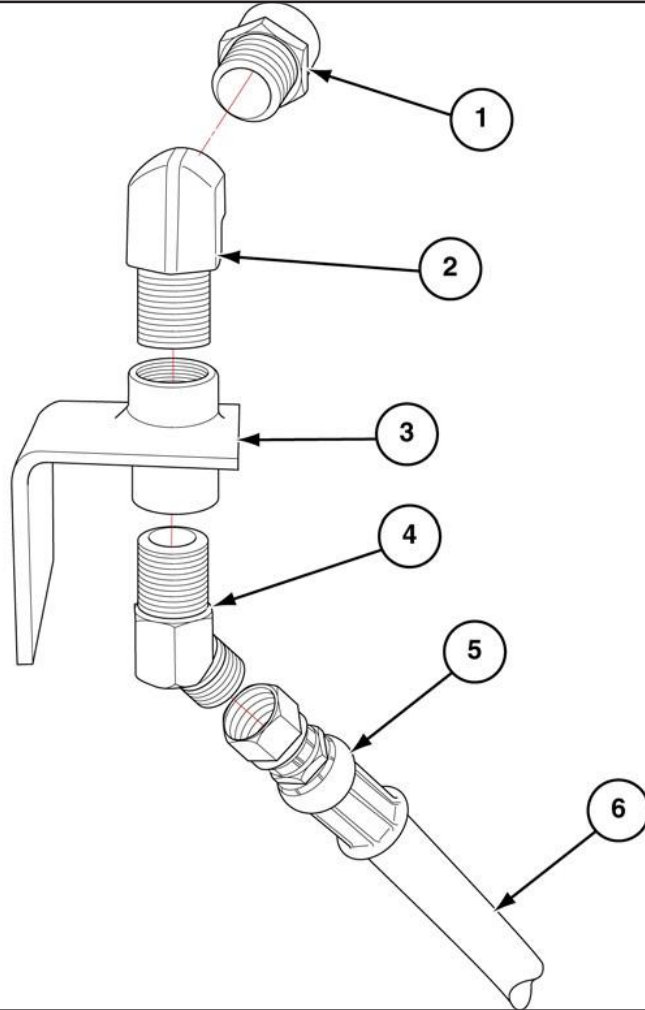
ENGINE COMPARTMENT CURBSIDE



Amerex Fire Suppression Hoses & Fittings
At engine Compartment CurbSide
0415686

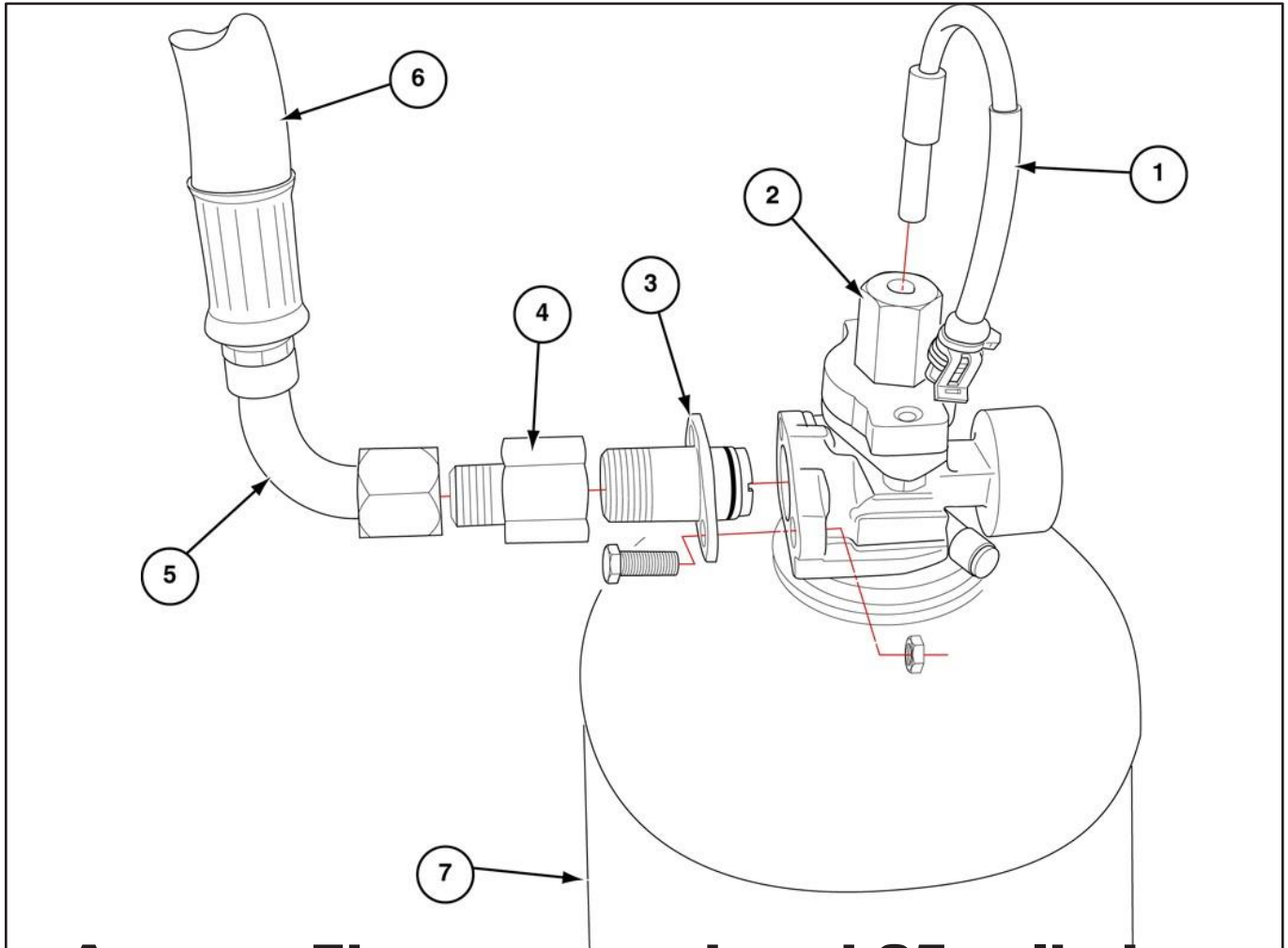
<i>ITEM PART NO. DESCRIPTION</i>	<i>QTY</i>	<i>ITEM PART NO. DESCRIPTION</i>	<i>QTY</i>
1 6170188V Nozzle, Cone	1		
2 6170189V Bracket, Nozzle Cone	1		
3 2971061 Fitting, Elbow Street 90°	1		
4 2970895 Fitting, Connector (1/2 Tube x 1/2"MPT)	1		
5 2970958 Fitting, Straight Swivel (1		
6 2970949 Discharge Hose (1/2")	A/R		

**ENGINE COMPARTMENT
ROADSIDE**



Amerex Fire Suppression HoSeS & FittingS
At engine Compartment roAdSide
0415686

<i>ITEM PART NO. DESCRIPTION</i>	<i>QTY</i>	<i>ITEM PART NO. DESCRIPTION</i>	<i>QTY</i>
1 6170188V Nozzle, Cone	1		
2 2971061 Fitting, 90° Street Elbow	1		
3 6170179V Bracket, Nozzle Cone	1		
04 2971062 Fitting, 45° (1/2 MPx1/2" MPT)	1		
5 2970958 Fitting, Hose (1/2" Straight Female)	1		
6 2970949 Discharge Hose	A/R		



**Amerex Fire suppression vh25 cylinder
sub-Assembly
0415686**

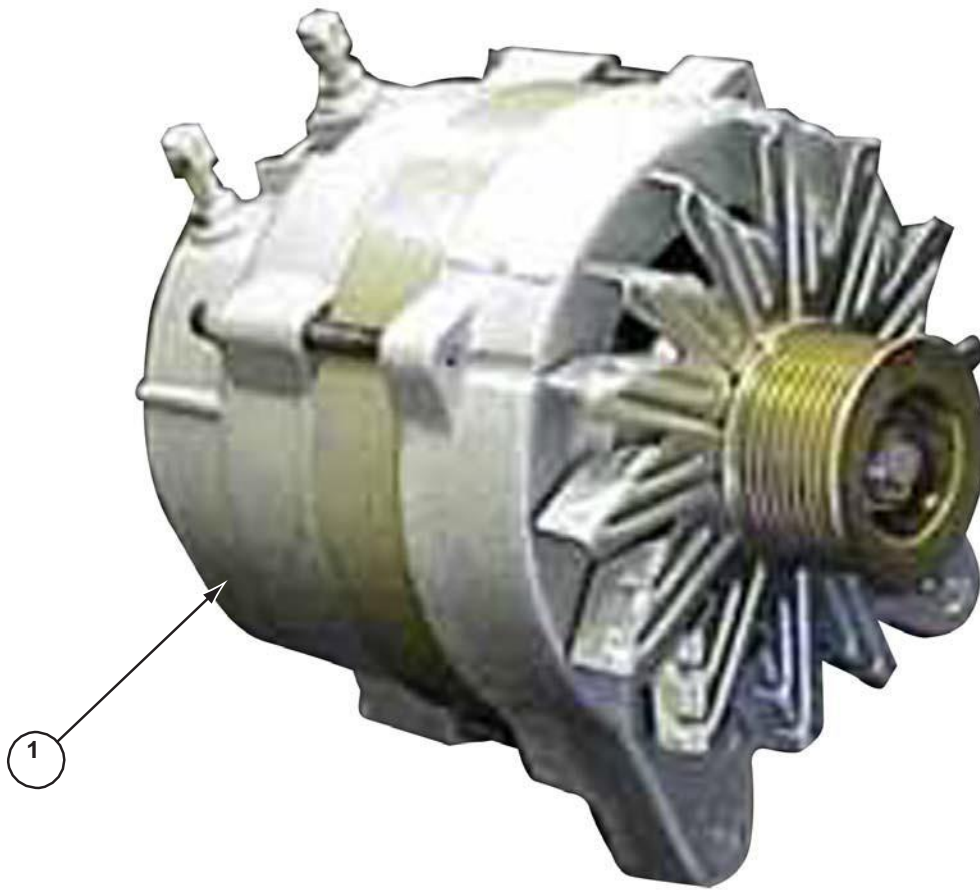
<i>ITEM PART NO. DESCRIPTION</i>	<i>QTY</i>	<i>ITEM PART NO. DESCRIPTION</i>	<i>QTY</i>
1 6170197V Actuator, Electric	1		
2 6170796V Control, Modular Head	1		
3 6170186V Kit, Discharge Fitting	1		
4 2670897 Fitting, Connector	1		
5 3970957 Fitting, Elbow Swivel 90°	1		
6 2970950 Hose, Discharge (3/4")	A/R		
7 6170141 Cylinder, 25lb Fire Suppression	1		



CHAMPION
BUS, INC.
Thor Industries Commercial Bus Division

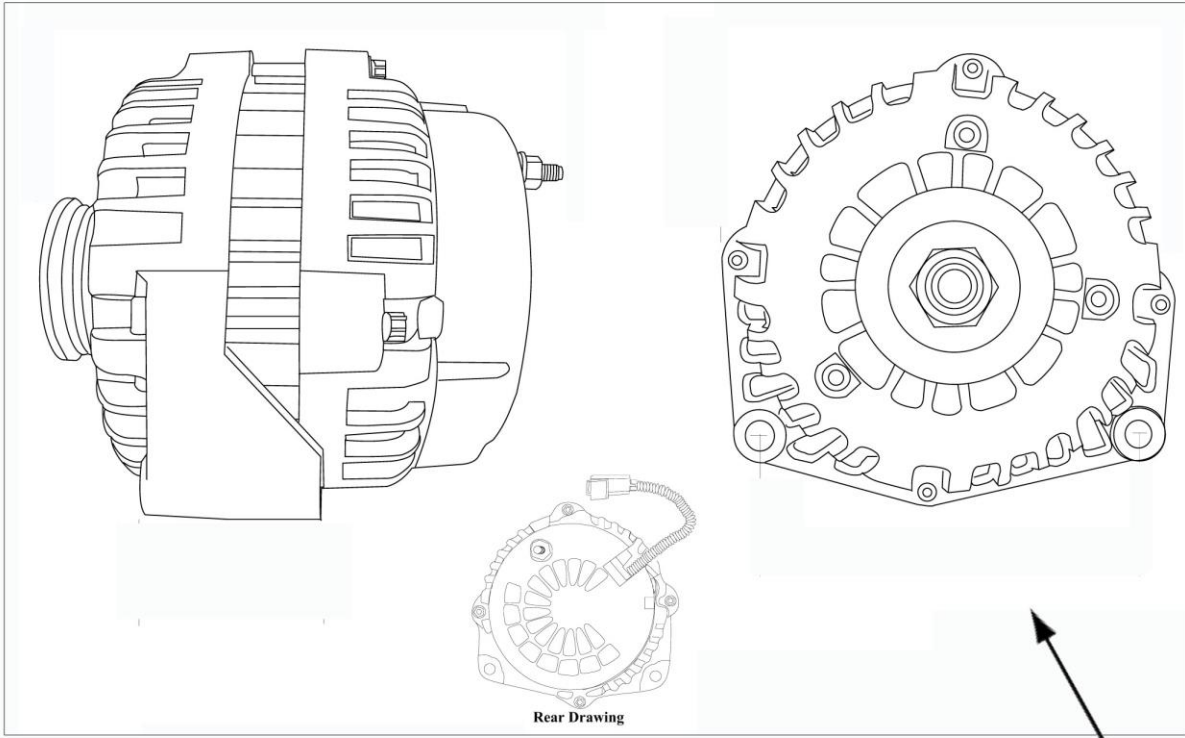
SECTION 11:

OpTIONal EquipmENT



ALTERNATOR ASSEMBLY (PX520R)
0406261

<i>ITEM</i>	<i>PARTNO.</i>	<i>DESCRIPTION</i>	<i>QTY</i>	<i>ITEM</i>	<i>PARTNO.</i>	<i>DESCRIPTION</i>	<i>QTY</i>
01	3972129	ALTERNATOR (PX520R LOW RPM HIGH OUTPUT)	1				

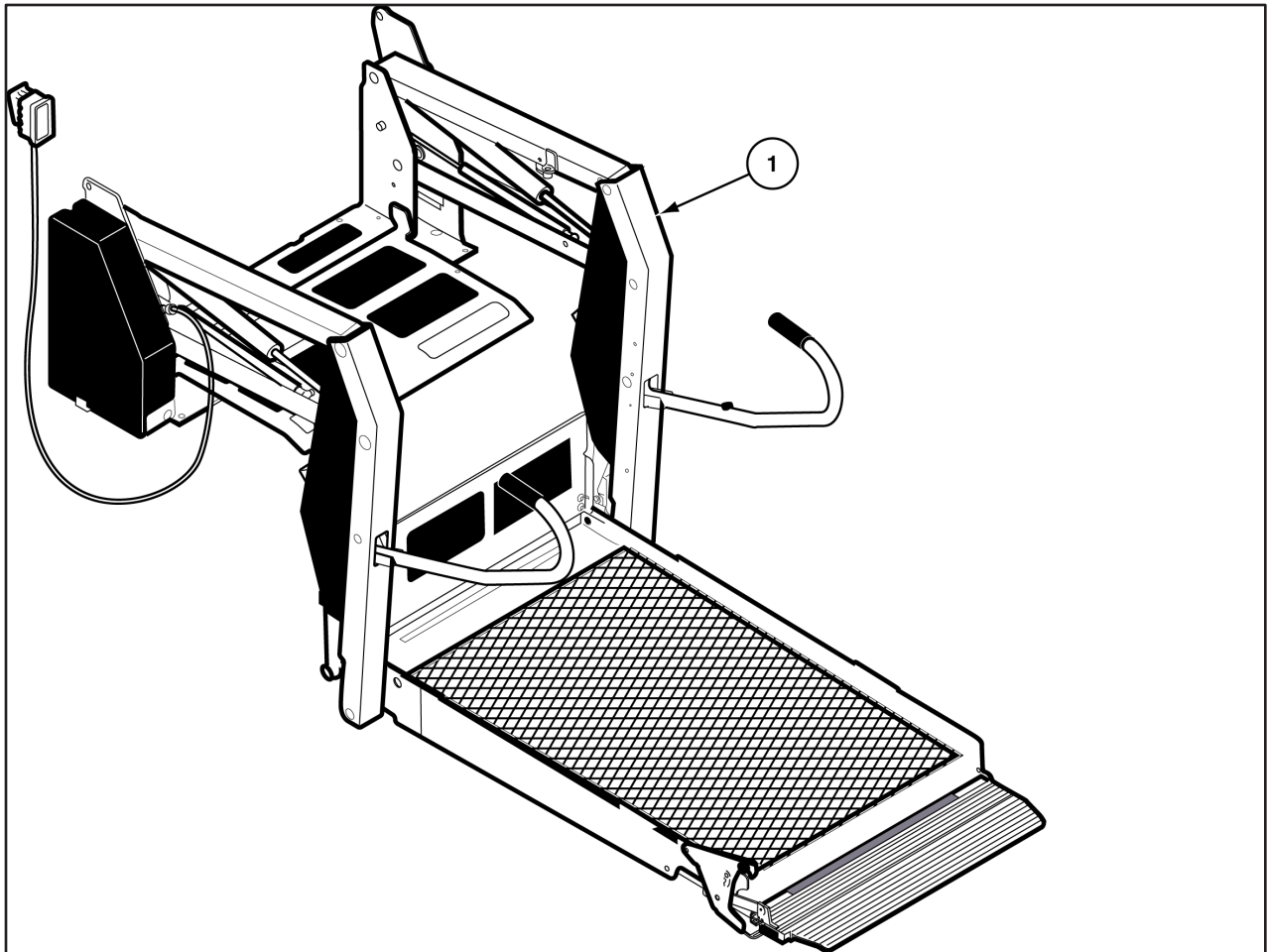


PX-422V

1

**alternator, 220 penntex gmt560/610
0415424**

<i>ITEM PART NO. DESCRIPTION</i>	<i>QTY</i>	<i>ITEM PART NO. DESCRIPTION</i>	<i>QTY</i>
01 3973832 Alternator, 220 Penntex GMT	1		



BRAUN LIFT NVL-917 403/404
CH00FF65519 / 0413808

<i>ITEM PART NO. DESCRIPTION</i>	<i>QTY</i>	<i>ITEM PART NO. DESCRIPTION</i>	<i>QTY</i>
01 3973311 Lift, Braun NVL-917 B (403/4)	1		

1



INTERLOCK/FAST IDLE INPOWER FORD 0415749 / Ch00FF65519

<i>ITEM PART NO. DESCRIPTION</i>	<i>QTY</i>	<i>ITEM PART NO. DESCRIPTION</i>	<i>QTY</i>
01 3974121 Module, Interlock Fast Idle Ford Inp	1		
NS 3974122 Display, Interlock Fast Idle Ford Inp	1		
NS 3974130 Harness, Ford InPower	1		



Priority seating sign
cx-000-900-3132 / ch000ff65519

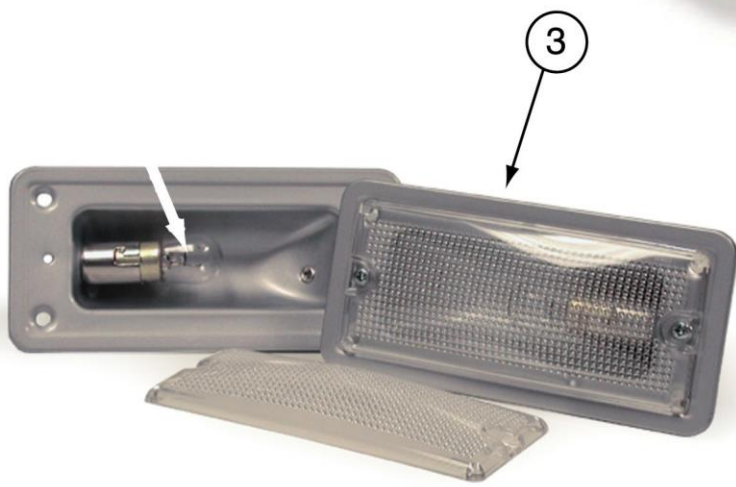
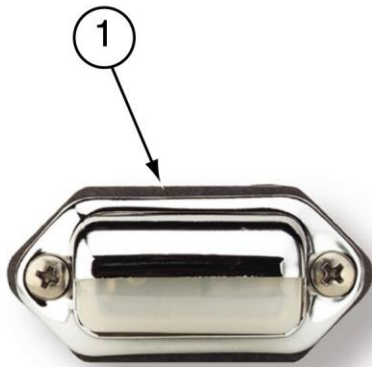
<i>ITEM PART NO. DESCRIPTION</i>	<i>QTY</i>	<i>ITEM PART NO. DESCRIPTION</i>	<i>QTY</i>
01 8970154 Decal, "Priority Seating"	1		
02 8570812 Rivet, Pop 1/8 x .325 - .500 GRP S/S	2		
03 4370095 Steel, Coil .021 x 48 Painted	A/R		

**FORWARD FACING
WHEELCHAIR SECUREMENT LOCATION**



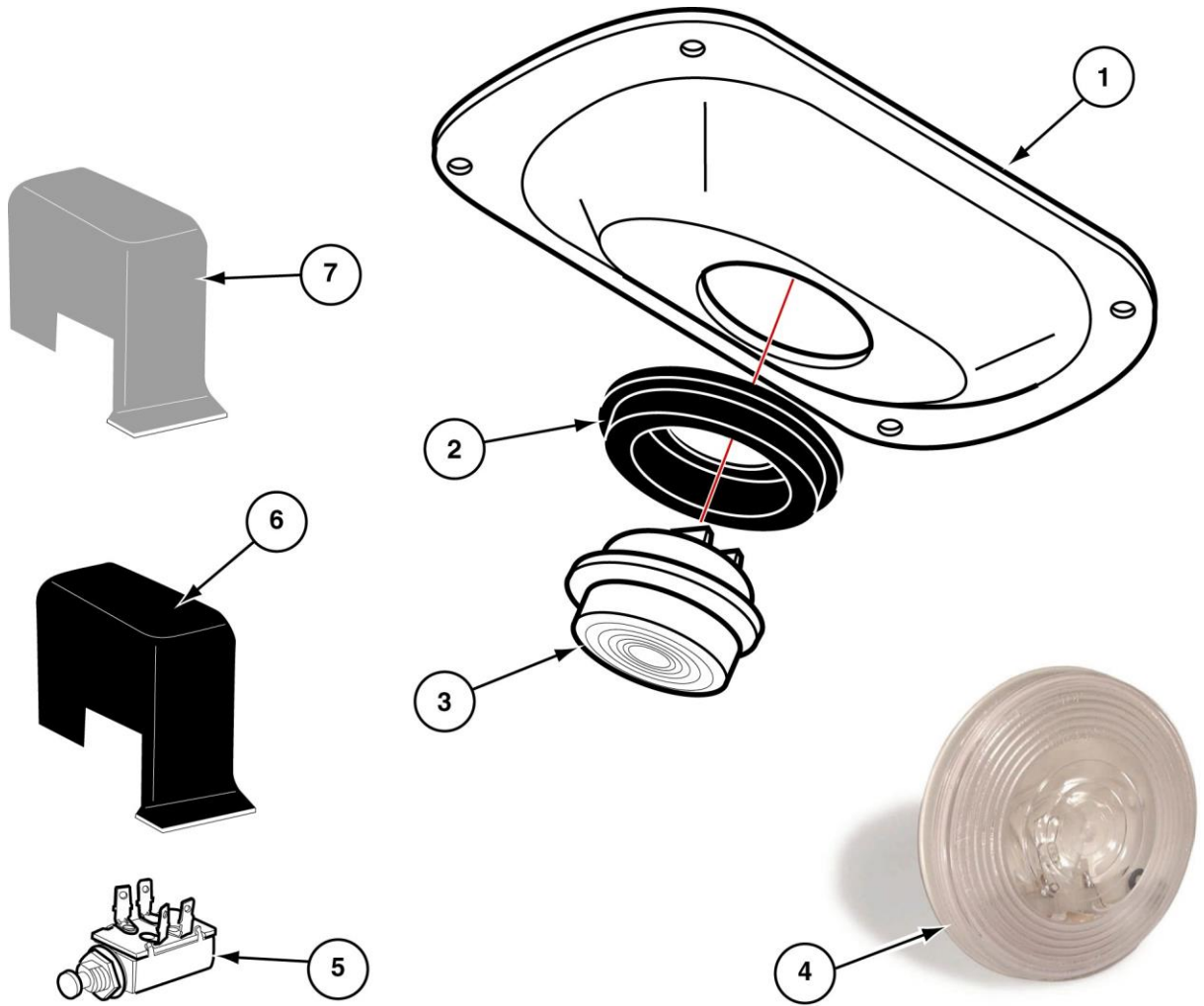
**INSTALL WHEELCHAIR LOCATION SIGN
CH000FF65519 - CX-000-900-3173**

<i>ITEM</i>	<i>PARTNO.</i>	<i>DESCRIPTION</i>	<i>QTY</i>	<i>ITEM</i>	<i>PARTNO.</i>	<i>DESCRIPTION</i>	<i>QTY</i>
01	8970800	LABEL, FWD FACING WHEELCHAIR SECUREMENT	1				



dOOR ACTuATED ENTrANCE LighTiNg (AdA)
Cx-000-900-3174 / CH000FF65519

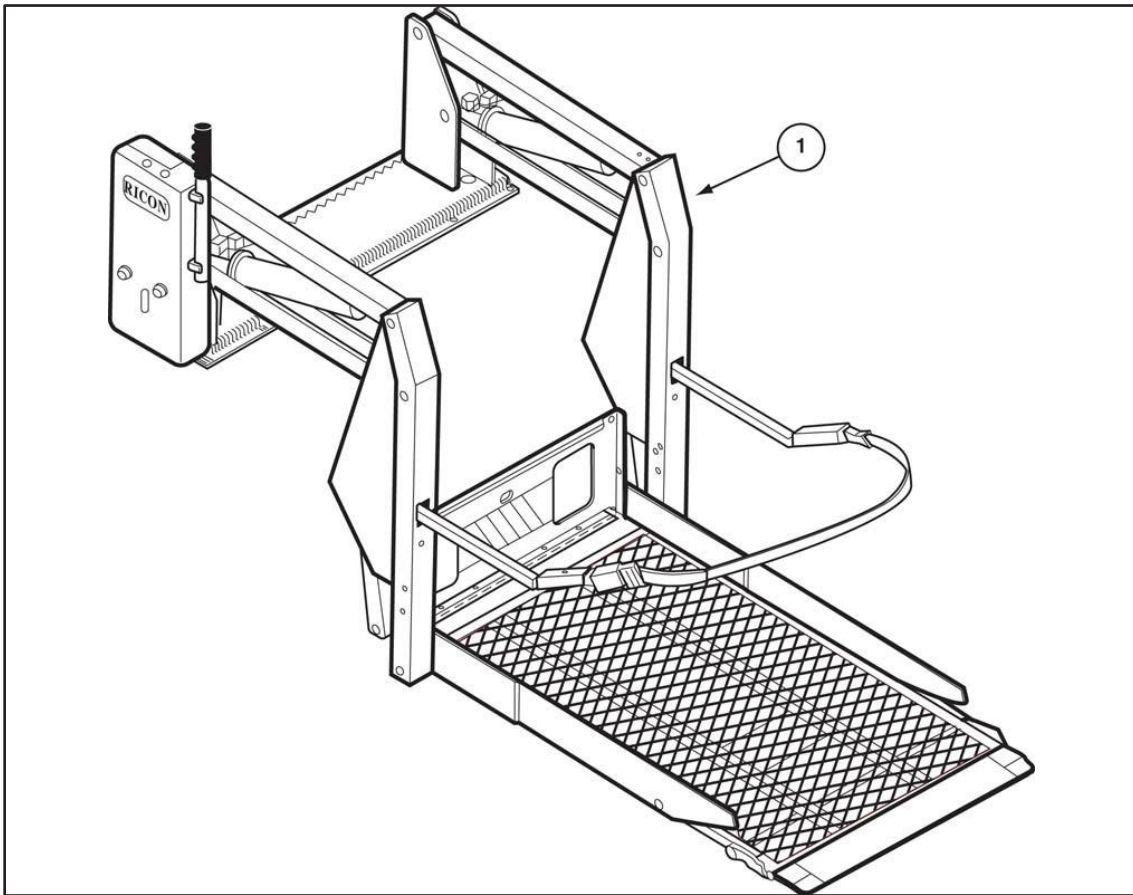
<i>ITEM PART NO.</i>	<i>DESCRIPTION</i>	<i>QTY</i>	<i>ITEM PART NO.</i>	<i>DESCRIPTION</i>	<i>QTY</i>
1	3971448 Light, Courtesy M434	2			
2	0403822 Landing Light (ADA)	1			
3	0403157 Light with out Switch	1			



LIFT DOOR ACTUATED LIGHTING

CX-000-900-3162 - CH000FF65519/ CH000FN65519/ CH000FP65519

ITEM PART NO.	DESCRIPTION	QTY	ITEM PART NO.	DESCRIPTION	QTY
01	3371024 BEZEL, 4" ROUND INTERIOR LIFT LIGHT	1			
02	3972986 GROMMET, 4" DIA.	1			
3	3971914 LIGHT, 4" ROUND INTERIOR LIFT	1			
4	3971447 LIGHT, CLEAR	1			
5	3971963 SWITCH, DOOR POST JAMB (N/C)	1			
6	3371079 COVER, JAMB SWITCH	1			
7	3371674 COVER, LIFT DOOR SWITCH (GRAY)	1			



ricon lift s-5510 s-series (2008)
pa000GX65516 / PA000GJ65516, 0416956

<i>ITEM PART NO. DESCRIPTION</i>	<i>QTY</i>	<i>ITEM PART NO. DESCRIPTION</i>	<i>QTY</i>
01 3974340 Lift, Ricon S-5510 2008	1		
NS 3971807 Breaker, 90 AMP Main Ricon	1		
NS 3973791 Kit, Padding Lift Ricon 5000 Series	1		
NS 8940561 Decal, Paratransit (8.75 x 8.75)	1		
NS 6170393 Kit, Interlock Activation Gas/Dsl	1		



INTERLOCK/FAST IDLE ILIS gm610 gAS/DSL PA000GJ65516 / 0413984

<i>ITEM PART NO. DESCRIPTION</i>	<i>QTY</i>	<i>ITEM PART NO. DESCRIPTION</i>	<i>QTY</i>
01 6170391 Interlock, ILIS FD 05 Gas/DSL	1		
NS 6170604 Kit, Interlock Activation 2008 Chevy	1		



**PRIORITY SEATING FOR PERSONS WITH
DISABILITIES. OTHER PASSENGERS
SHOULD MAKE THESE SEATS AVAILABLE
TO THOSE WHO WISH TO USE THEM**

**priOriTy SEATiNg SigN (AdA)
Cx-000-900-3132 / PA000GX65516**

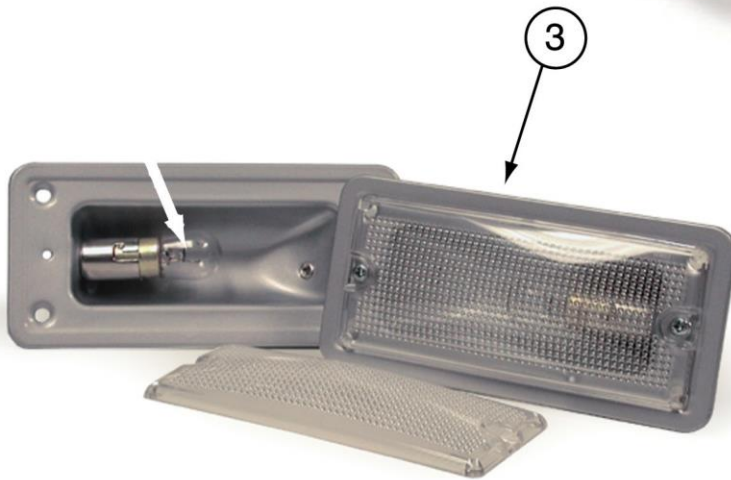
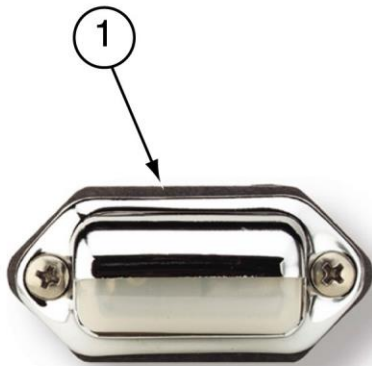
<i>ITEM PART NO. DESCRIPTION</i>	<i>QTY</i>	<i>ITEM PART NO. DESCRIPTION</i>	<i>QTY</i>
01 8970154 DECAL,"PRIORITY SEATING"	1		

**FORWARD FACING
WHEELCHAIR SECUREMENT LOCATION**



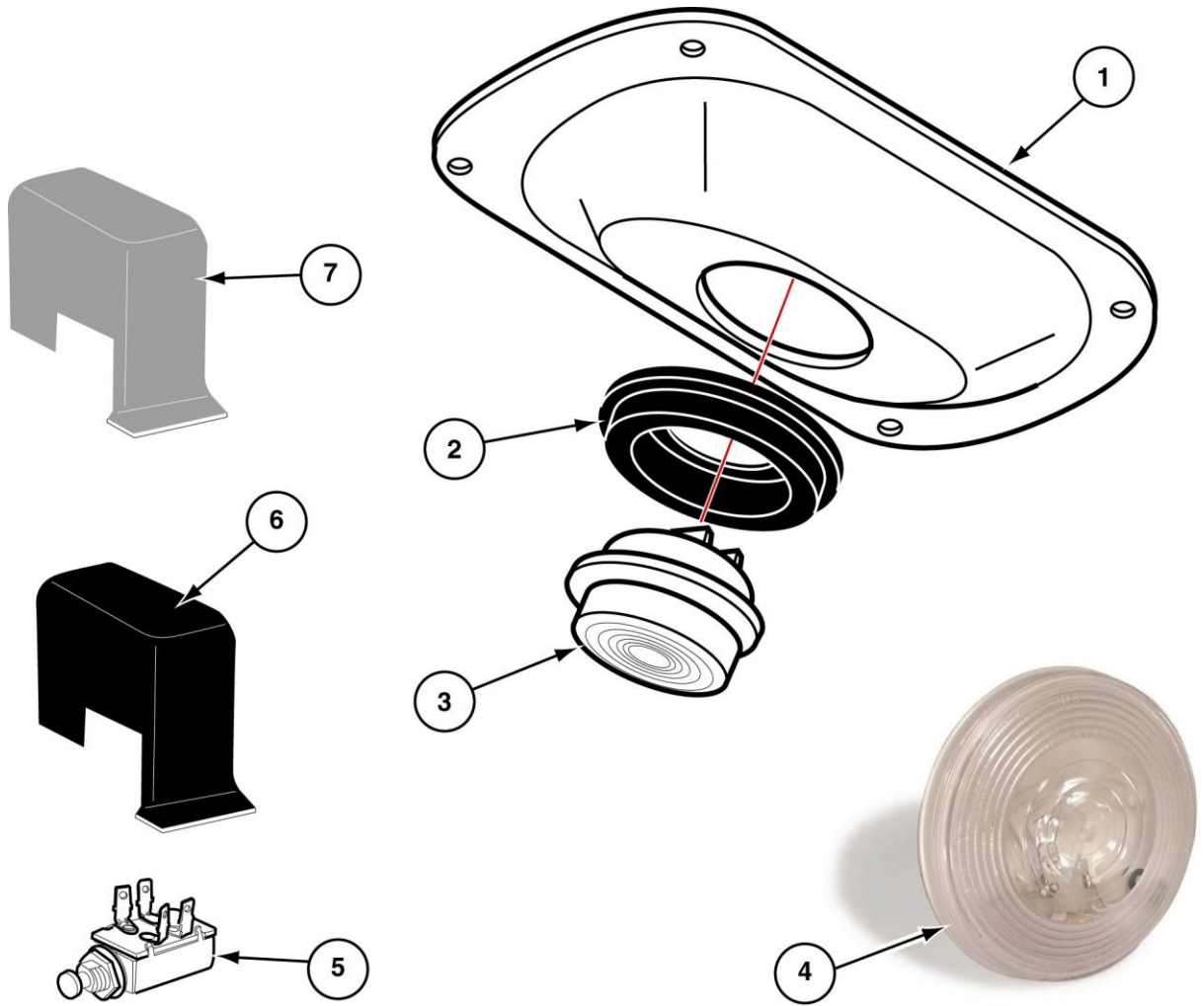
**whEELChAir LOCATIOn SigN (AdA)
Cx-000-900-3173 / PA000GX65516**

<i>ITEM PART NO. DESCRIPTION</i>	<i>QTY</i>	<i>ITEM PART NO. DESCRIPTION</i>	<i>QTY</i>
01 8970800 LABEL,FWD FACING WHEELCHAI	1		



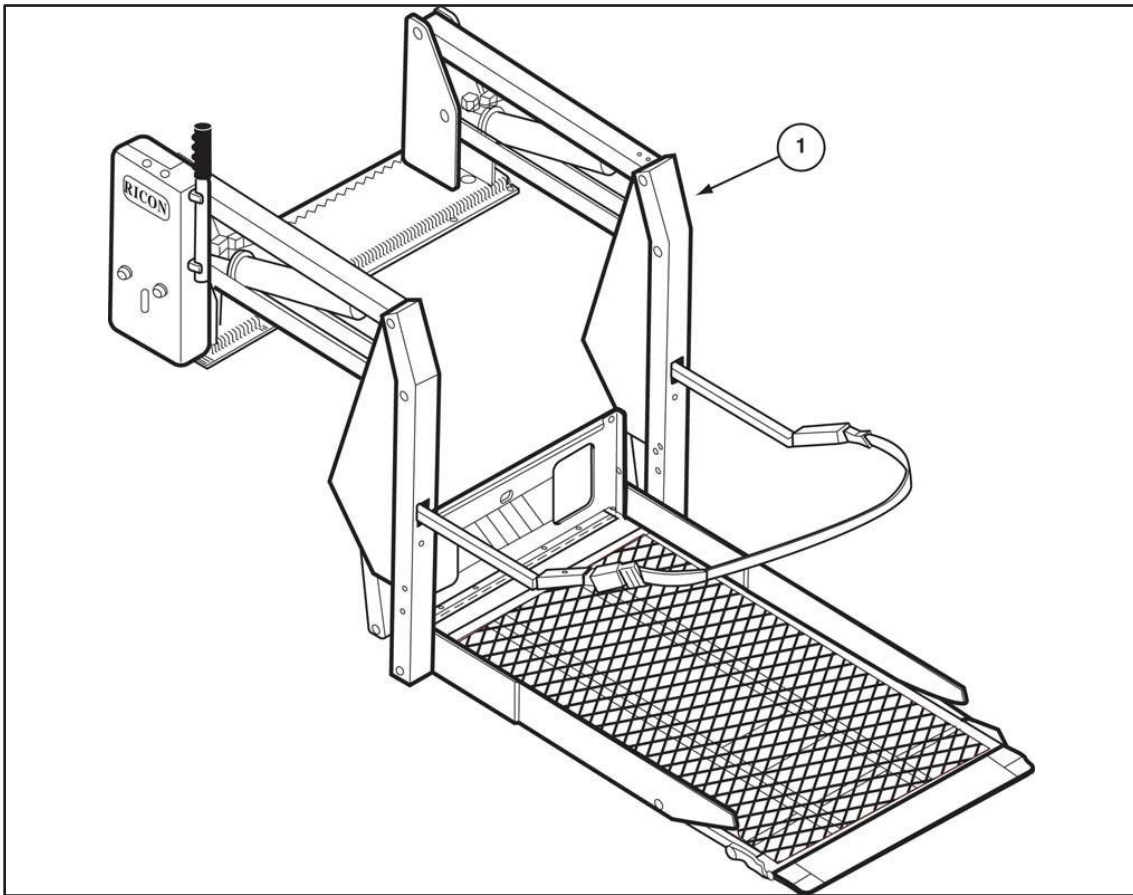
dOOR ACTuATED ENTrANCE LighTiNg (AdA)
Cx-000-900-3174 / PA000GX65516

<i>ITEM PART NO.</i>	<i>DESCRIPTION</i>	<i>QTY</i>	<i>ITEM PART NO.</i>	<i>DESCRIPTION</i>	<i>QTY</i>
1	3971448 Light, Courtesy M434	2			
2	0403822 Landing Light (ADA)	1			
3	0403157 Light with out Switch	1			



LIFT DOOR ACTUATED LIGHTING
CX-000-900-3162 / PA000GX65516

<i>ITEM PART NO.</i>	<i>DESCRIPTION</i>	<i>QTY</i>	<i>ITEM PART NO.</i>	<i>DESCRIPTION</i>	<i>QTY</i>
01	3371024 BEZEL, 4" ROUND INTERIOR LIFT LIGHT	1			
02	3972986 GROMMET, 4" DIA.	1			
3	3971914 LIGHT, 4" ROUND INTERIOR LIFT	1			
4	3971447 LIGHT, CLEAR	1			
5	3971963 SWITCH, DOOR POST JAMB (N/C)	1			
6	3371079 COVER, JAMB SWITCH	1			
7	3371674 COVER, LIFT DOOR SWITCH (GRAY)	1			



ricon lift s-5510 s-series (2008)
pa000fd65516, 0416956

<i>ITEM PART NO. DESCRIPTION</i>	<i>QTY</i>	<i>ITEM PART NO. DESCRIPTION</i>	<i>QTY</i>
01 3974340 Lift, Ricon S-5510 2008	1		
NS 3971807 Breaker, 90 AMP Main Ricon	1		
NS 3973791 Kit, Padding Lift Ricon 5000 Series	1		
NS 8940561 Decal, Paratransit (8.75 x 8.75)	1		
NS 6170393 Kit, Interlock Activation Gas/Dsl	1		

NO PICTURE AVAILABLE AT THIS TIME

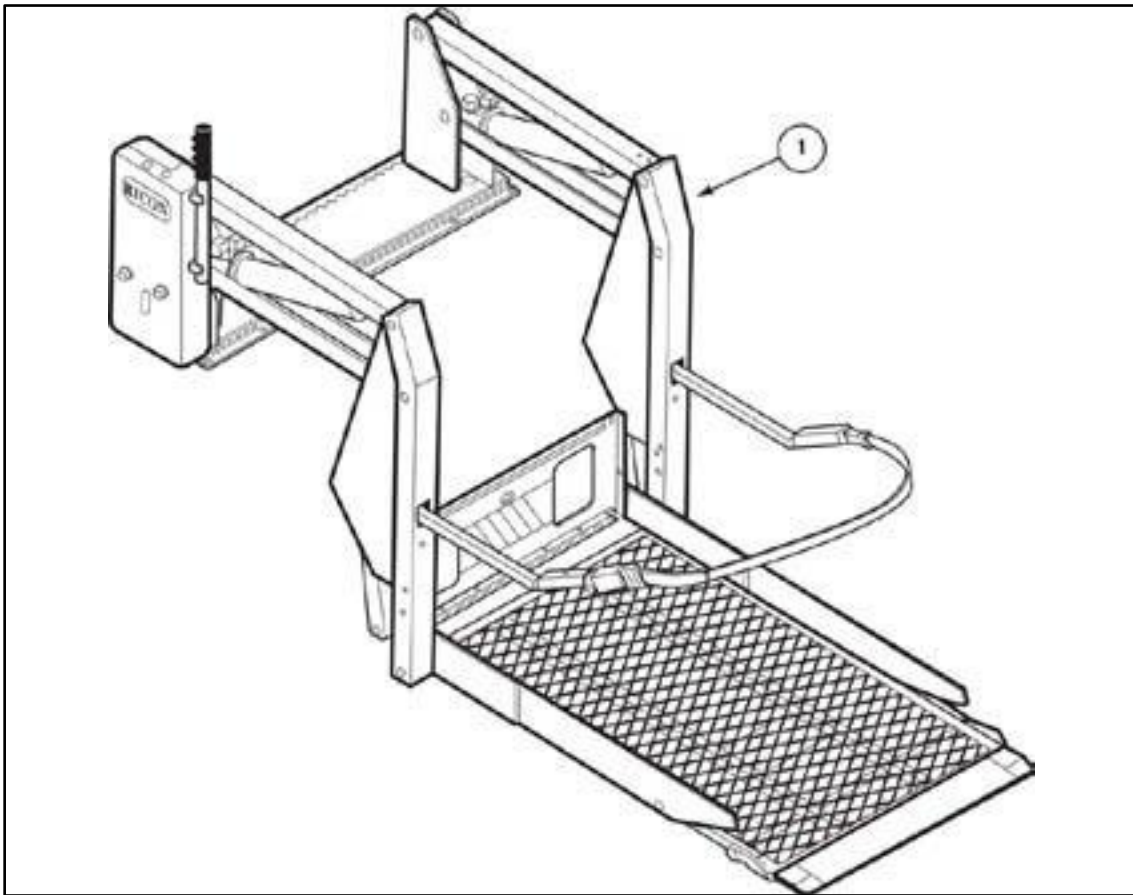
**INTERLOCK, BRAKEMAX & ILIS
PA000FD65516 - 3975306**

<u>ITEM</u> <u>PART NO.</u> <u>DESCRIPTION</u>	<u>QTY</u>	<u>ITEM</u> <u>PART NO.</u> <u>DESCRIPTION</u>	<u>QTY</u>
NS 3975306 Interlock, Brakemax & ILIS	1		
NS 6170555 Kit, Interlock Activation 2009	1		



interior lift light - ricon
PA000FD65516 / 0418963

<i>ITEM PART NO. DESCRIPTION</i>	<i>QTY</i>	<i>ITEM PART NO. DESCRIPTION</i>	<i>QTY</i>
1 3971914 Light, 4" Round Interior Lift	1		
2 3971471 Grommet, Rubber 4" Tail Light	1		
NS 3971024 Bezel, 4" Round Interior Lift Light	1		



ricon lift s-5510 pa000GB65516, 0416956

<i>ITEM PART NO. DESCRIPTION</i>	<i>QTY</i>	<i>ITEM PART NO. DESCRIPTION</i>	<i>QTY</i>
01 3974340 Lift, Ricon S-5510 2008	1		
NS 3971807 Breaker, 90 AMP Main Ricon	1		
NS 8940561 Decal, Paratransit (8.75 x 8.75)	1		
NS 3971515 Grommet, 2-1/8" x 1-3/16" ID	3		
NS 3971517 Clamp, Vinyl Coated Steel 5/8	3		
NS 0374475 Shim, Ricon Lift	2		
NS 0375845 Steel, Flat 11GA 6 x 120 HRS	1		



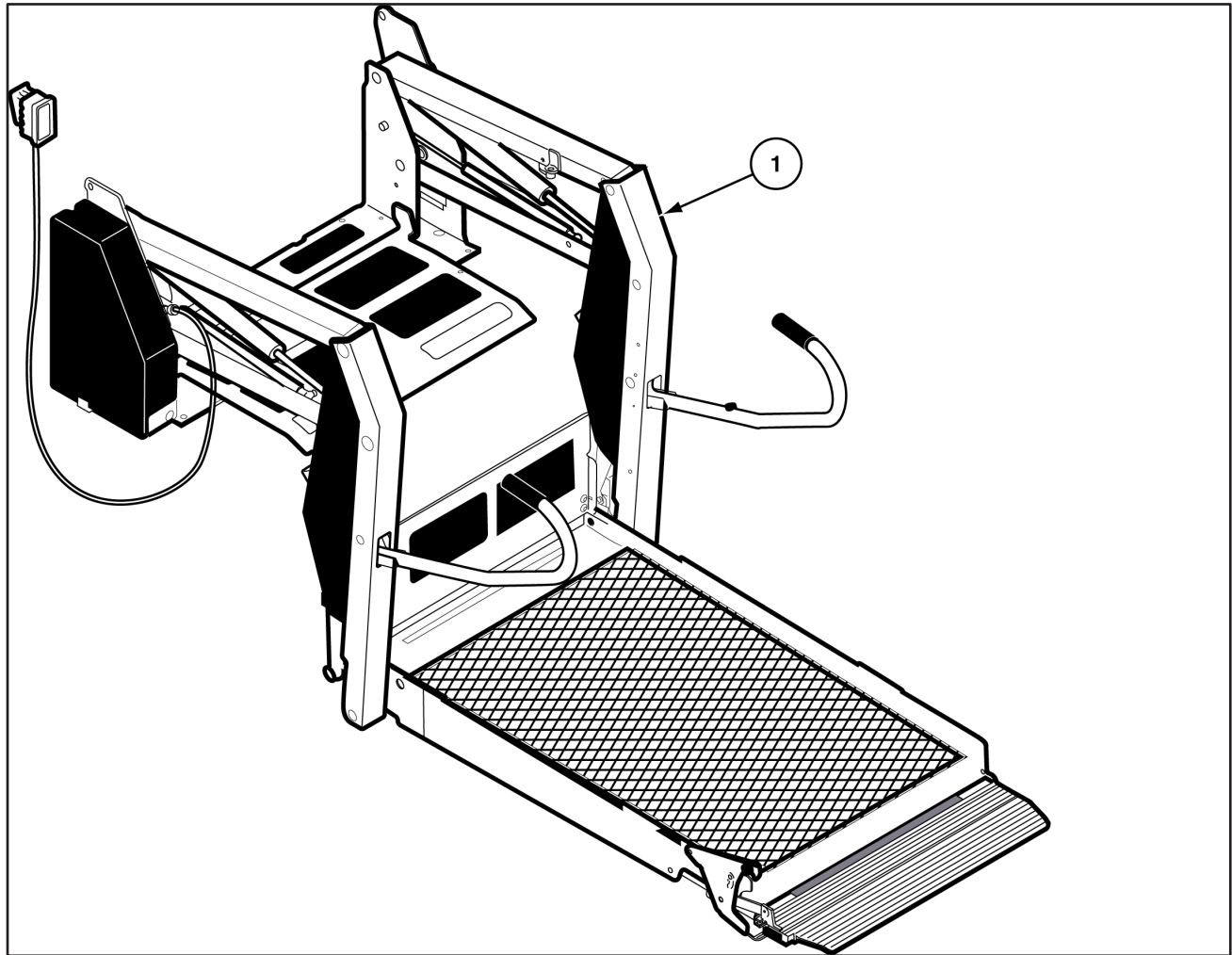
interior lift light - ricon
PA000GB65516 / 0418963

<i>ITEM PART NO. DESCRIPTION</i>	<i>QTY</i>	<i>ITEM PART NO. DESCRIPTION</i>	<i>QTY</i>
1 3971914 Light, 4" Round Interior Lift	1		
2 3971471 Grommet, Rubber 4" Tail Light	1		
NS 3971024 Bezel, 4" Round Interior Lift Light	1		

NO PICTURE AVAILABLE AT THIS TIME

**BRAKEMAX TOW/HAUL GM610
0419017**

<u>ITEM</u>	<u>PART NO.</u>	<u>DESCRIPTION</u>	<u>QTY</u>	<u>ITEM</u>	<u>PART NO.</u>	<u>DESCRIPTION</u>	<u>QTY</u>
NS	3975314	Module, BrakeMax Tow/Haul 08-10 Chv 1					



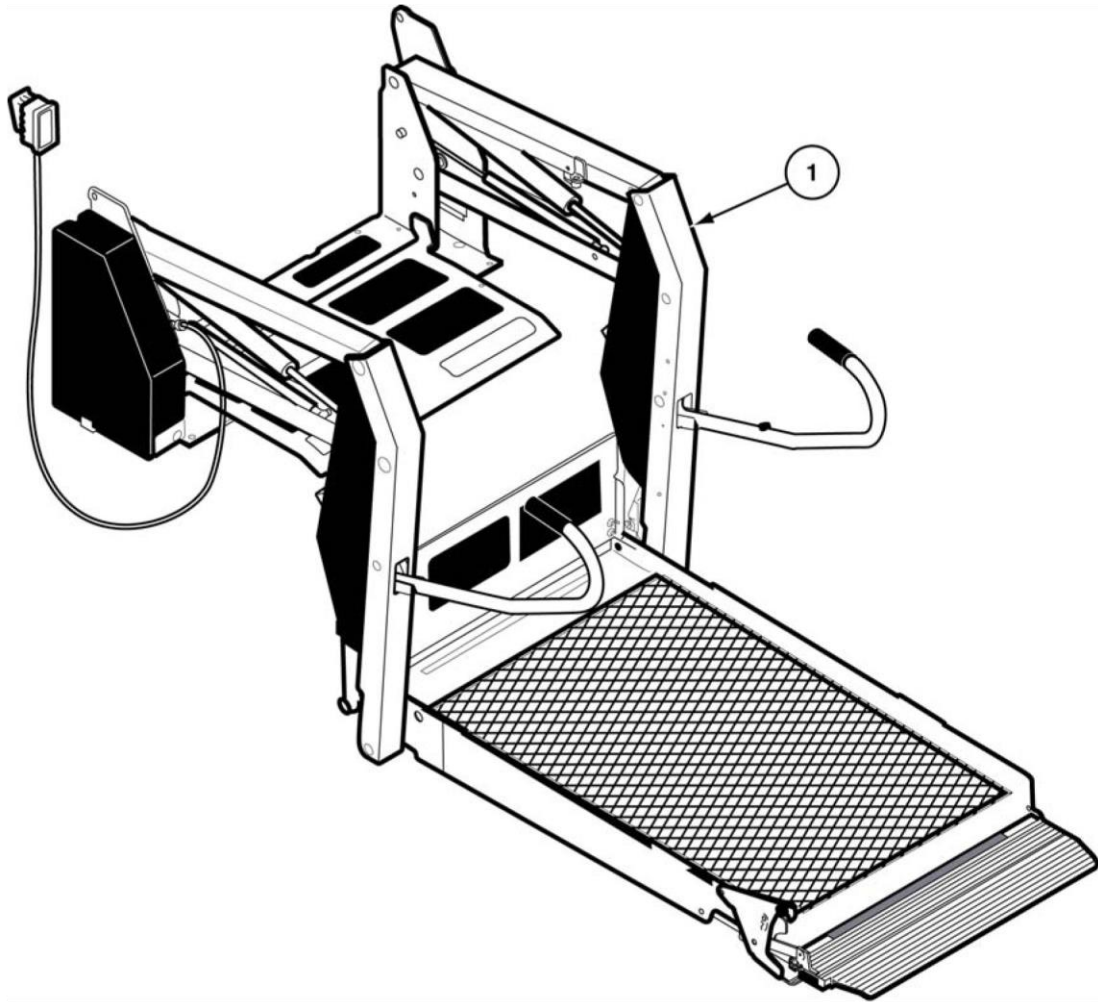
BRAUN LIFT (NL919IB)
PA000GX65517 / PA000GU65517 / 0416955

<i>ITEM PART NO. DESCRIPTION</i>	<i>QTY</i>	<i>ITEM PART NO. DESCRIPTION</i>	<i>QTY</i>
0416955, (NL 919IB)			
01 3974341 Lift, Braun NL919IB-2 PDOT '08	1		
NS 8970561 Decal, Paratransit 8.75 x 8.75	1		
NS 3973822 Cable, Guarded Pendant Braun	1		
NS 3973696 Kit, Padding Braun Lift	1		
NS 3973693 Kit, Reflective Tape	1		



**INTERLOCK/FAST IDLE ILIS gm610 gAS/DSL
PA000GX65517 / PA000GU65517 / 0411589**

<i>ITEM PART NO. DESCRIPTION</i>	<i>QTY</i>	<i>ITEM PART NO. DESCRIPTION</i>	<i>QTY</i>
01 6170391 Interlock, ILIS FD 05 Gas/DSL	1		
NS 6170604 Kit, Interlock Activation 2008 Chevy	1		



Install, Lift Braun n1919 f1000GC65517 / 0413862 / 0413794f

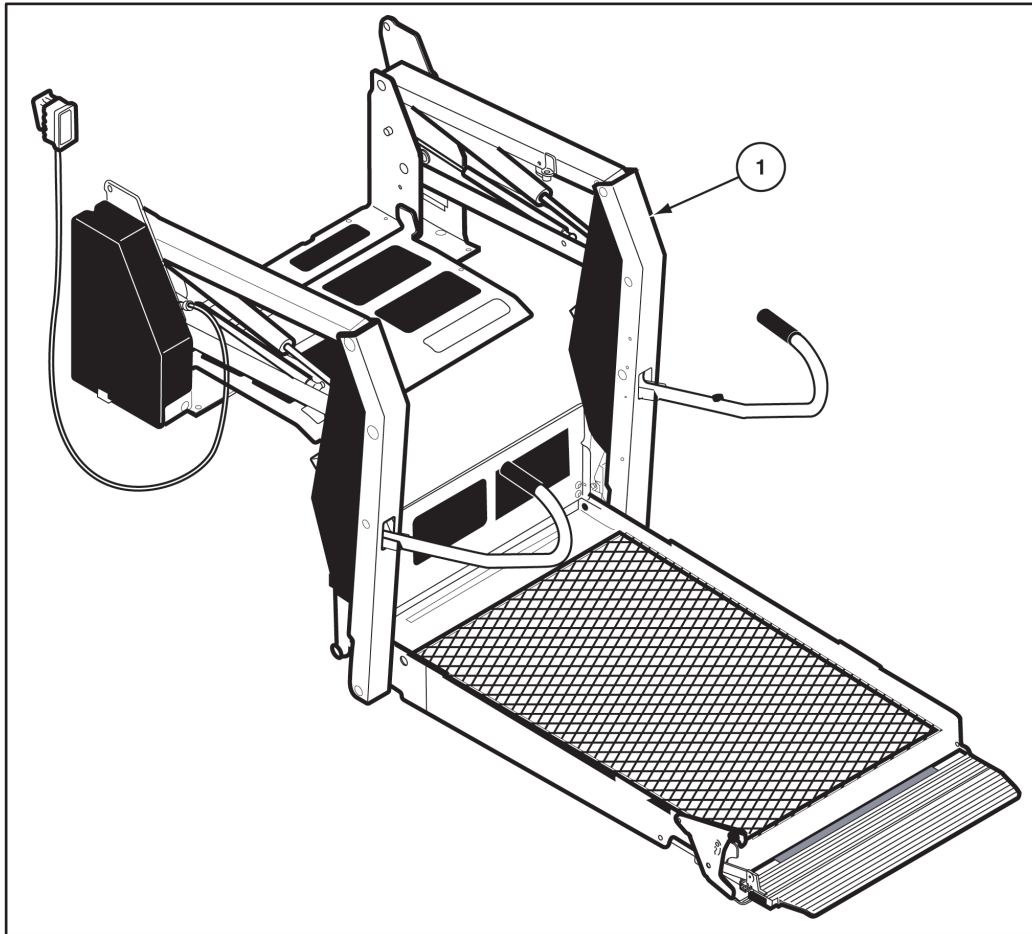
<i>ITEM PART NO. DESCRIPTION</i>	<i>QTY</i>	<i>ITEM PART NO. DESCRIPTION</i>	<i>QTY</i>
01 3973931 Lift, Braun NL 919 FIBHB #2	1		
N/S 0414025 Placement, Lift Structure NL919	1		
N/S 3973357 Enclosure, Braun Circuit Breaker	1		
N/S 8940561 Decal, Paratransit 8.75 x 8.75	1		
N/S 3972777 Harness, Lift STD Challenger	1		
N/S 3973822 Cable, Guarded Pendant Braun	1		

1



interlock ilis system 0410294 /0413862D

<i>ITEM PART NO. DESCRIPTION</i>	<i>QTY</i>	<i>ITEM PART NO. DESCRIPTION</i>	<i>QTY</i>
01 6170391 Interlock, Ilis Ford 05' Gas W/ Fast	1		
N/S 6170393 Kit, Interlock Activation 2005	1		



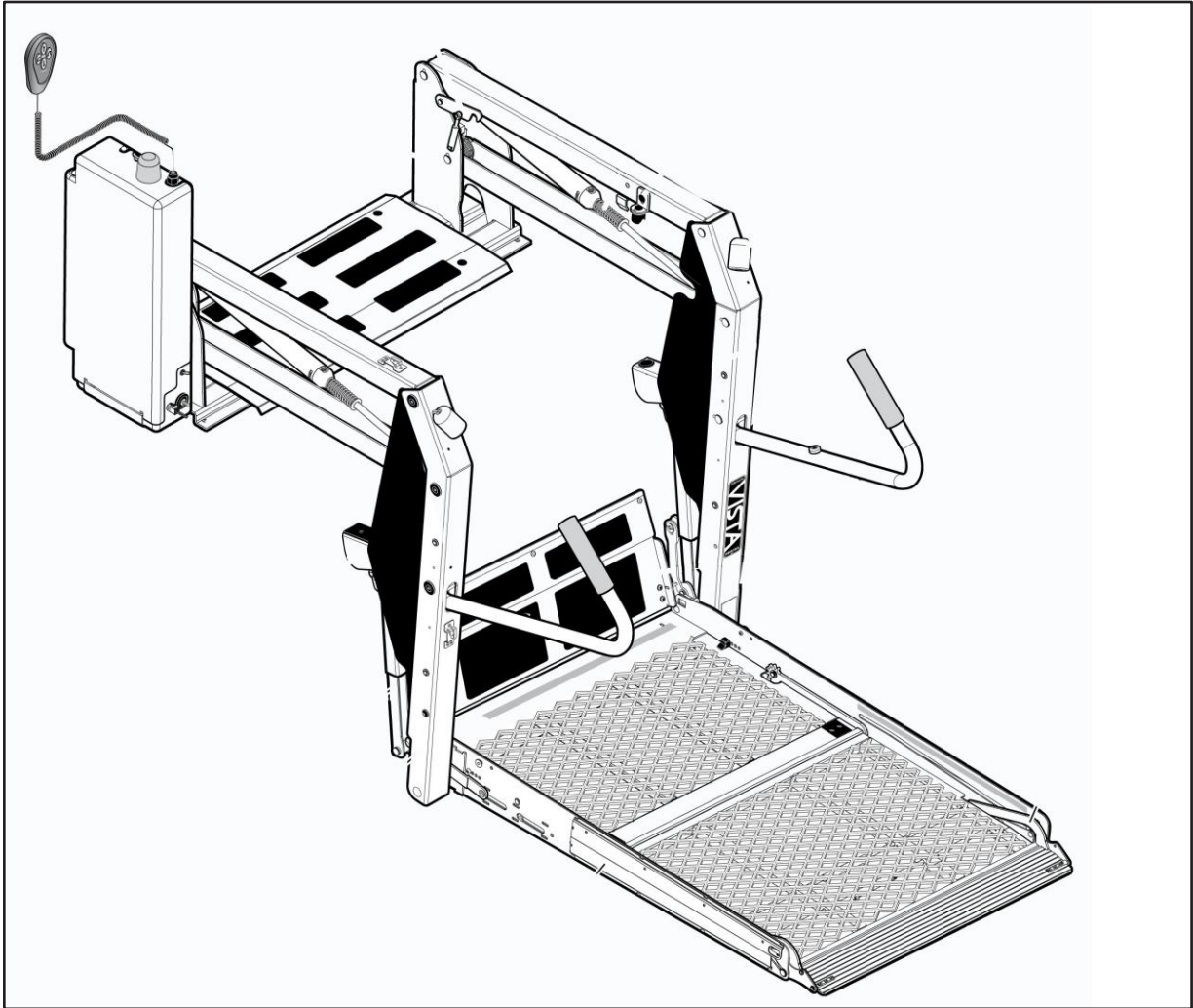
**BRAUN LIFT, CENTURY NCL919 CHEVY
0416070C / 0416069**

<i>ITEM PART NO. DESCRIPTION</i>	<i>QTY</i>	<i>ITEM PART NO. DESCRIPTION</i>	<i>QTY</i>
01 3974165 Lift, Braun Century NCL919 Gen 2	1		
NS 3973357 Enclosure, Braun Circuit Breaker Ext	1		
NS 3971517 Clamp, Vinyl Coated Steel 5/8	3		

PICTURE NOT AVAILABLE

INTERLOCK, ILIS SYSTEM - GAS
0410914

<i>ITEM PART NO. DESCRIPTION</i>	<i>QTY</i>	<i>ITEM PART NO. DESCRIPTION</i>	<i>QTY</i>
N/S 6170317 INTERLOCK,INTELGENT LIFT GM	1		
N/S 2971029 FITTING,BATTERY BOLT ADAPTER	1		



braun lift nl917fib (35" Platform)
0415929 / 0415929C / 0415930

<i>ITEM PART NO. DESCRIPTION</i>	<i>QTY</i>	<i>ITEM PART NO. DESCRIPTION</i>	<i>QTY</i>
01 3974023 LIFT, BRAUN NL917 W/ 35" Platform	1		

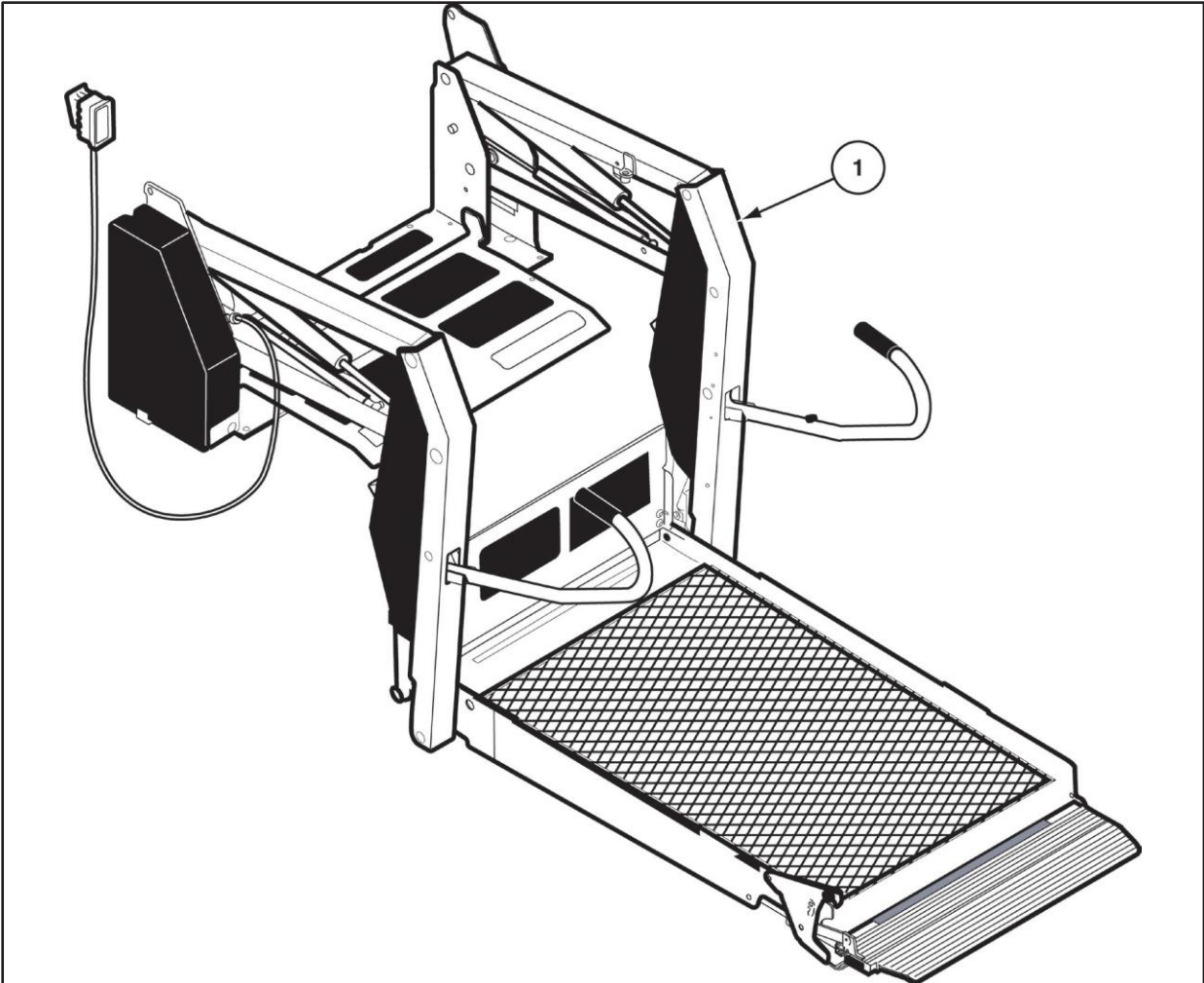
1



Interlock GM560 Inpower 0415929C/ 0416140

ITEMPART NO.	
01	3974164 Module, Shiftlock GM561 InPower 1
N/S	3974195 Module, LED Display Interlock 1
N/S	3974163 Cable, Interlock GM560 InPower 1
N/S	3974197 Harness, InPower GM560 1

ITEMPART NO.



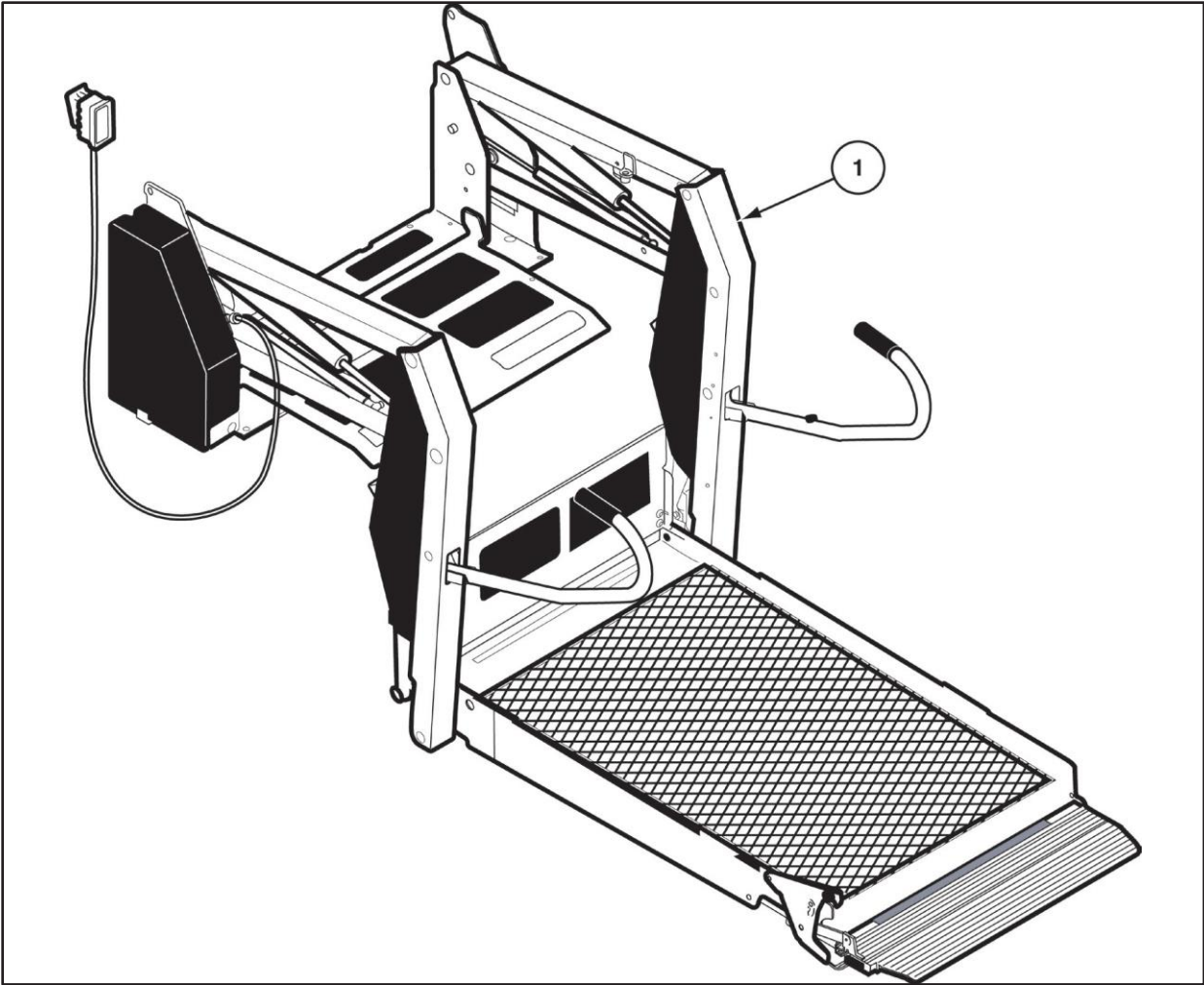
braun lift nl919 #2, 2008
pa000GB65517 / PA000GJ65517 / 0416955

<i>ITEM PART NO. DESCRIPTION</i>	<i>QTY</i>	<i>ITEM PART NO. DESCRIPTION</i>	<i>QTY</i>
01 3974341 LIFT, BRAUN NL919IB-2	1		
N/S 3973696 KIT, PADDING BRAUN LIFT	1		
N/S 3973695 DECAL, FLORIDA CERT. BRAUN	1		
N/S 3973693 KIT, REFLECTIVE TAPE BRAUN	1		
N/S 8940561 DECAL, PARATRANSIT 8.75 x 8.75	1		



**INTERLOCK/FAST IDLE ILIS gm610 gAS/DSL
PA000GB65517 / PA000GJ65517 / 413984**

<i>ITEM PART NO. DESCRIPTION</i>	<i>QTY</i>	<i>ITEM PART NO. DESCRIPTION</i>	<i>QTY</i>
01 6170391 Interlock, ILIS FD 05 Gas/DSL	1		
NS 6170604 Kit, Interlock Activation 2008 Chevy	1		



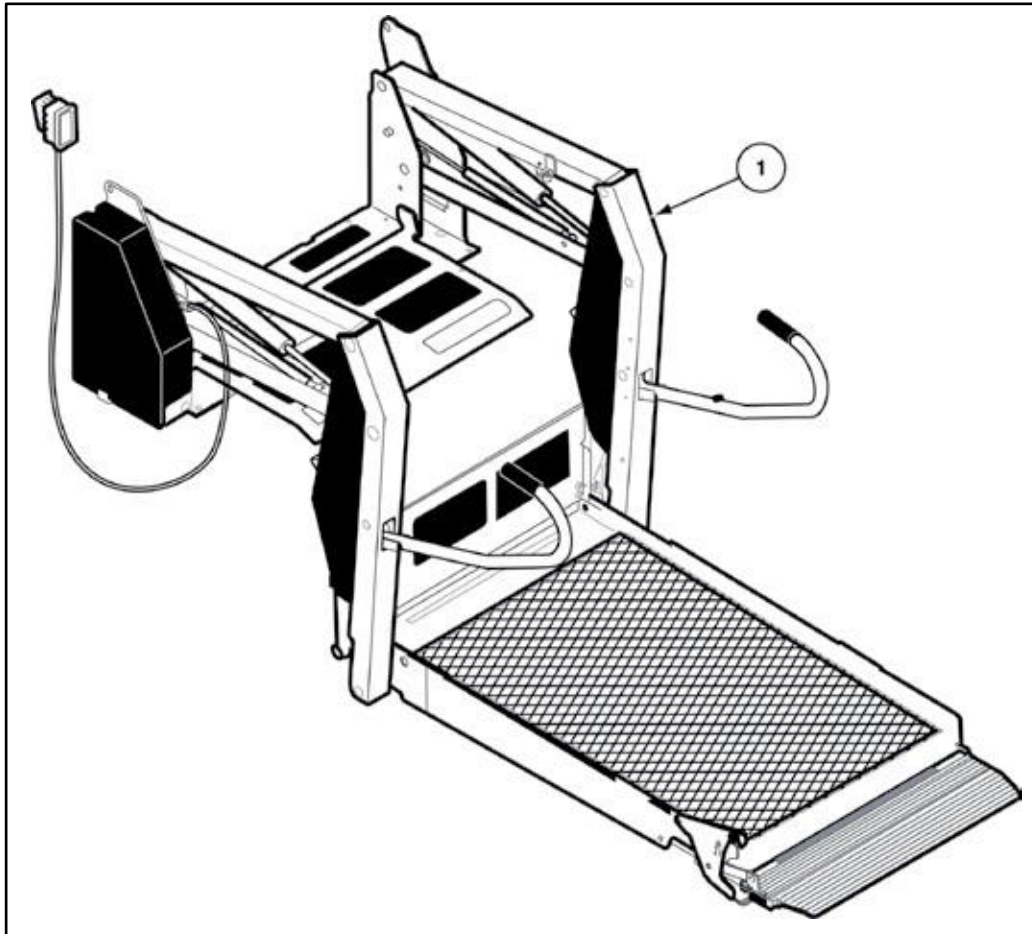
braun lift nl919 #2, 2008
pa000fd65517 / 0416955

<i>ITEM PART NO. DESCRIPTION</i>	<i>QTY</i>	<i>ITEM PART NO. DESCRIPTION</i>	<i>QTY</i>
01 3974341 LIFT, BRAUN NL919IB-2	1		
N/S 3973696 KIT, PADDING BRAUN LIFT	1		
N/S 3973695 DECAL, FLORIDA CERT. BRAUN	1		
N/S 3973693 KIT, REFLECTIVE TAPE BRAUN	1		
N/S 8940561 DECAL, PARATRANSIT 8.75 x 8.75	1		



INTERLOCK ACTIVATION KIT (GAS/DSL) pA000fD65517 / 6170393

<i>ITEM PART NO. DESCRIPTION</i>	<i>QTY</i>	<i>ITEM PART NO. DESCRIPTION</i>	<i>QTY</i>
01 6170393 KIT, Interlock Activation G/D	1		



BRAUN LIFT, CENTURY NCL919 FORD
GMT00065515 / 0413810

<i>ITEM PART NO. DESCRIPTION</i>	<i>QTY</i>	<i>ITEM PART NO. DESCRIPTION</i>	<i>QTY</i>
01 3974165 Lift, Braun Century NCL919 Gen 2	1		
NS 3973357 Enclosure, Braun Circuit Breaker Ext	1		
NS 3971517 Clamp, Vinyl Coated Steel 5/8	3		
NS 0416140 Interlock GM 560 Inpower	1		

1



Interlock GM560 Inpower GMT000065515 / 0416140

ITEMPART NO.		
01	3974164 Module, Shiftlock GM561 InPower	1
N/S	3974195 Module, LED Display Interlock	1
N/S	3974163 Cable, Interlock GM560 InPower	1
N/S	3974197 Harness, InPower GM560	1

ITEMPART NO.

PICTURE NOT AVAILABLE

INSTALL REAR DOOR INTERLOCK
0412672

<i>ITEM PART NO. DESCRIPTION</i>	<i>QTY</i>	<i>ITEM PART NO. DESCRIPTION</i>	<i>QTY</i>
N/S 3973491 MODULE, EMERGENCY DOOR GMT	1		
N/S 3971855 CONNECTOR, WEATHER PAK 2-FEMALE(CAP)	1		
N/S 3970969 TERMINAL, PACKARD 12124582-L MALE	2		
N/S 3970985 SEAL, PACKARD CABLE 12015323	2		
N/S 3971963 SWITCH, JAMB DPST NORM CLOSED(4 TERM)	2		
N/S 3971506 BUSHING, SNAP 1/2"	4		
N/S 3970894 SPACER, SWITCH DG801-1	2		



BREAKER 90 AMP
0413797-3971807

<i>ITEM PART NO. DESCRIPTION</i>	<i>QTY</i>	<i>ITEM PART NO. DESCRIPTION</i>	<i>QTY</i>
----------------------------------	------------	----------------------------------	------------

01 3971807 BREAKER, 90 AMP MAIN RICON	1		
---------------------------------------	---	--	--



TIEDOWN STORAGE POUCH
0410761

<i>ITEM</i>	<i>PARTNO.</i>	<i>DESCRIPTION</i>	<i>QTY</i>	<i>ITEM</i>	<i>PARTNO.</i>	<i>DESCRIPTION</i>	<i>QTY</i>
01	7371357	POUCH KINEDYNETIEDOWN GRAY VINYL	1				



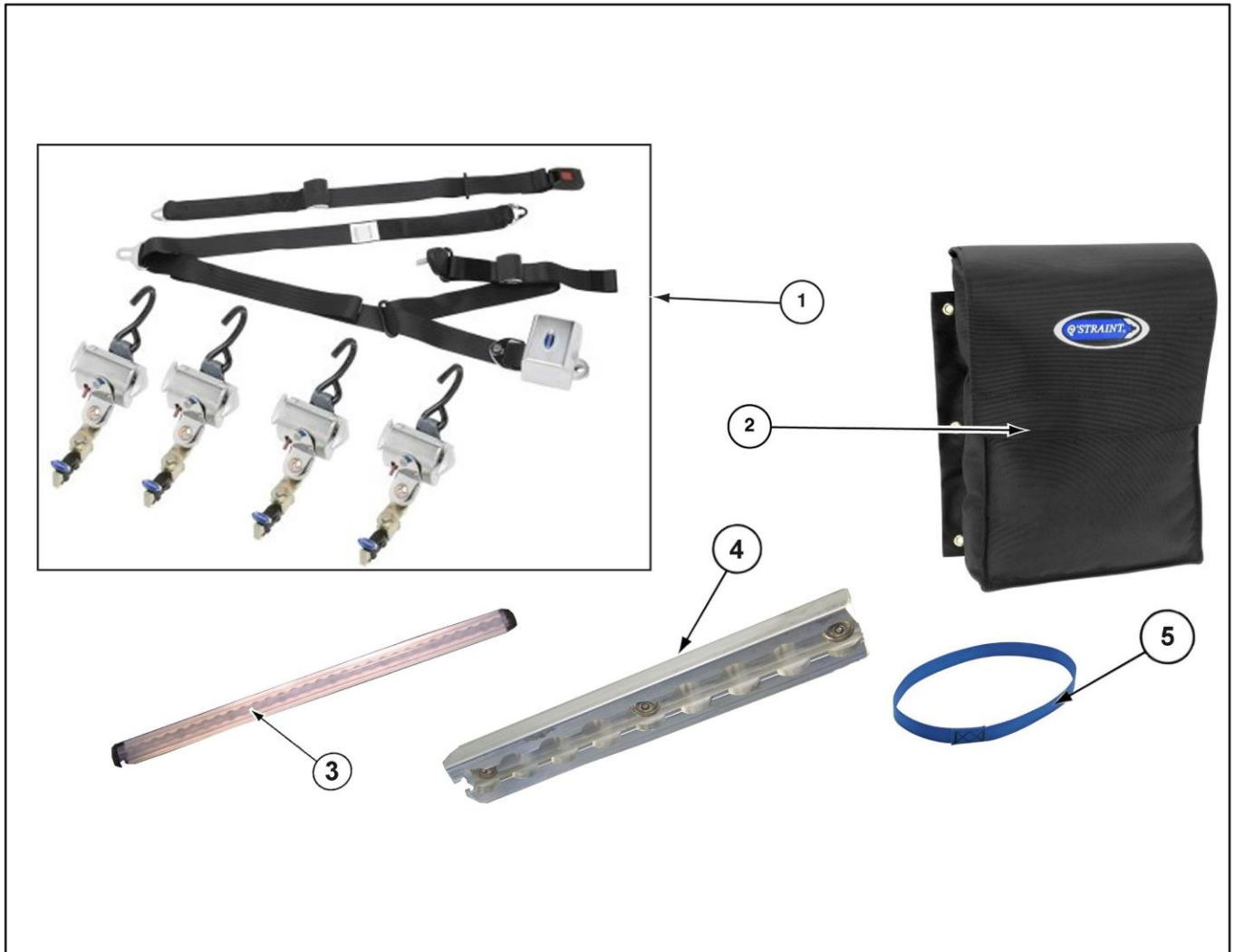
q-strait tiedown max retractable
0416519 / 0417157

<i>ITEM PART NO.</i>	<i>DESCRIPTION</i>	<i>QTY</i>	<i>ITEM PART NO.</i>	<i>DESCRIPTION</i>	<i>QTY</i>
01	7371630 TIEDOWN, Q-STRAINT RETRACTABLE	1			
NA	7371215 TRACK, TIEDOWN ALUMINUM-L W/Flange	AR			
NA	3370046 INSERT, CLEAR SEAT TRACK x 93.0	1			
NA	7371133 END, FLOOR TRACK - BLACK PLASTIC	8			
NA	4570061 TRACK, TIEDOWN ALUM-L W/O FLANGE	AR			



Q'STRAIT, SLIDE-N-CLICK TIEDOWN SYSTEM 0415778

<i>ITEM PART NO. DESCRIPTION</i>	<i>QTY</i>	<i>ITEM PART NO. DESCRIPTION</i>	<i>QTY</i>
1 7371615 Q-Straint Slide-N-Click Max W/Ret	1		
2 7371347 Pouch, Q-Straint Tiedown Black Vin	1		
3 7371405 Cutter, Tiedown Belt	1		
4 7371533 Loop, Webbing Q-Straint	4		
NS 7371597 Fitting, Seat Stud	1		



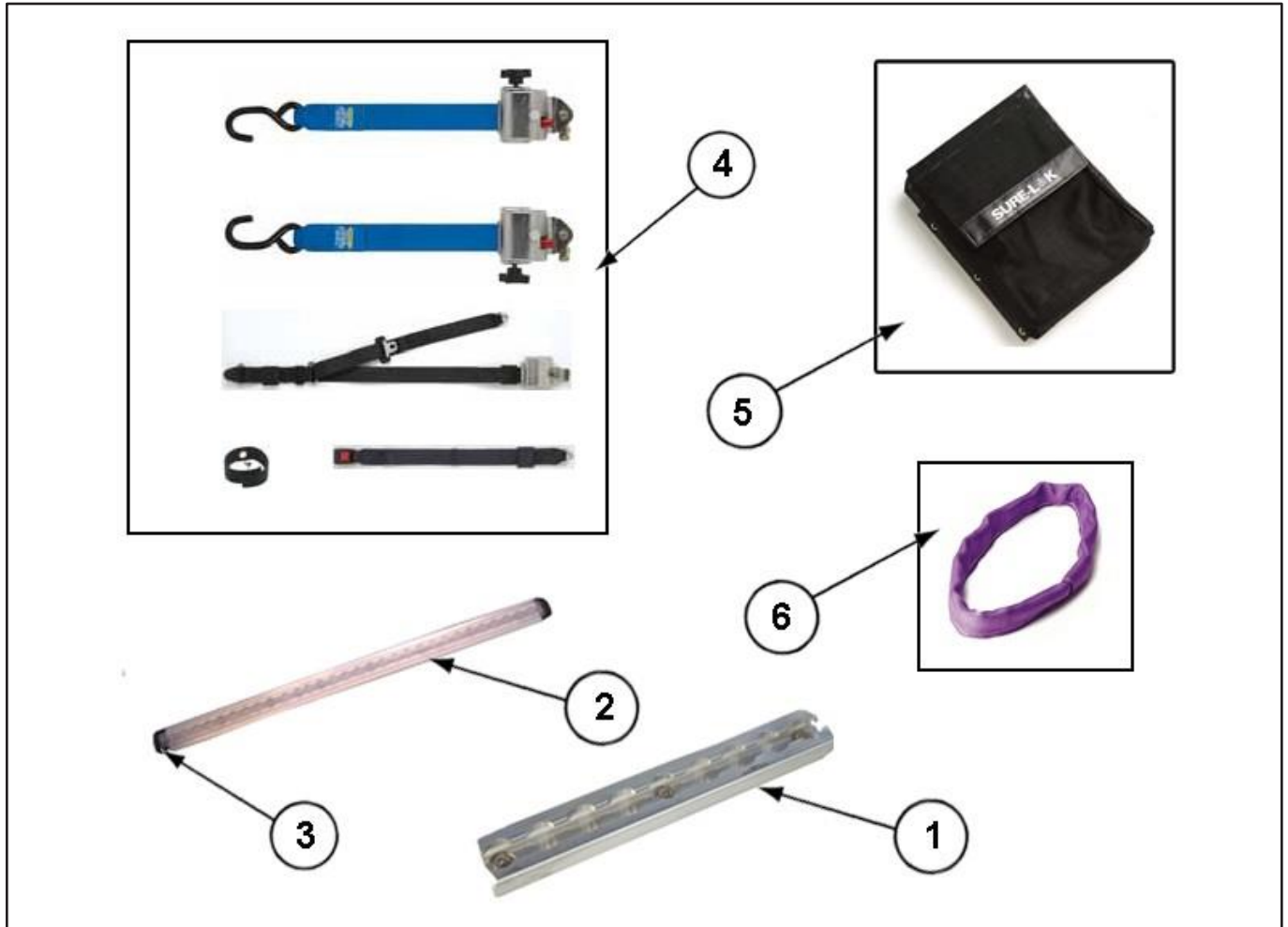
q-strait tiedown package
cx0000060012 / 7371451

<i>ITEM PART NO. DESCRIPTION</i>	<i>QTY</i>	<i>ITEM PART NO. DESCRIPTION</i>	<i>QTY</i>
1 7371451 Q-Strait, Kit Q-8120-A1 CBI 3.1 Retr	2		
2 7371347 Pouch, Q-Strait Tiedown - Vinyl	2		
3 7371215 Track, Tiedown Alum LW/Flange 120"	3		
4 4570061 Track, Tiedown Alum I W/O Flange 100"2			
5 7371533 Loop, Webbing Q-Strait	8		
NS 3370046 Insert, Clear Seat Track x 96"	AR		
NS 7371133 End, Floor Track - Silver Plastic	AR		



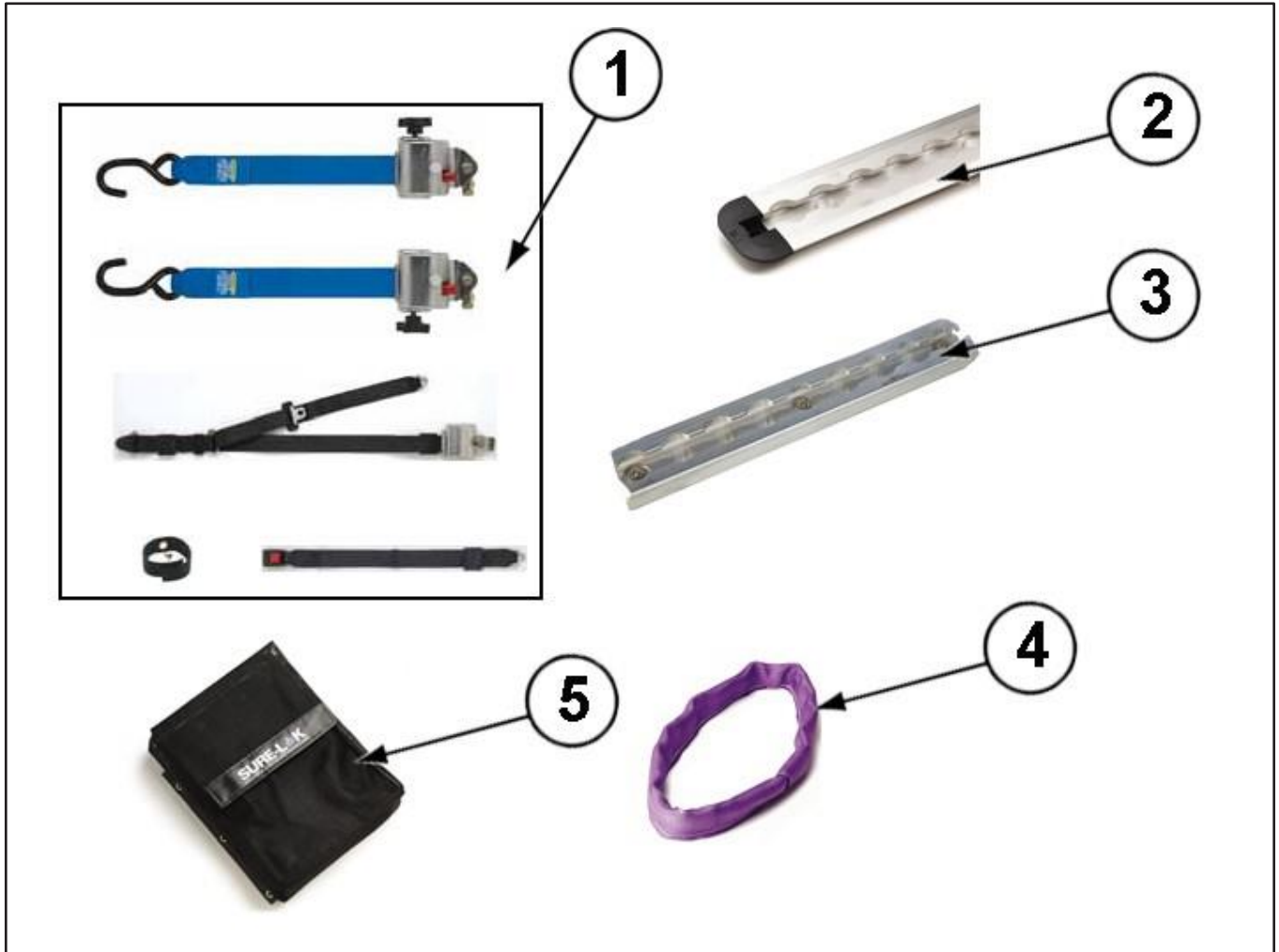
TIEDOWN STORAGE POUCH
0415623-7371347 / CX0000060025

<i>ITEM PART NO. DESCRIPTION</i>	<i>QTY</i>	<i>ITEM PART NO. DESCRIPTION</i>	<i>QTY</i>
00 7371347 POUCH,Q-STRAINTTIEDOWN-VINYL	2		



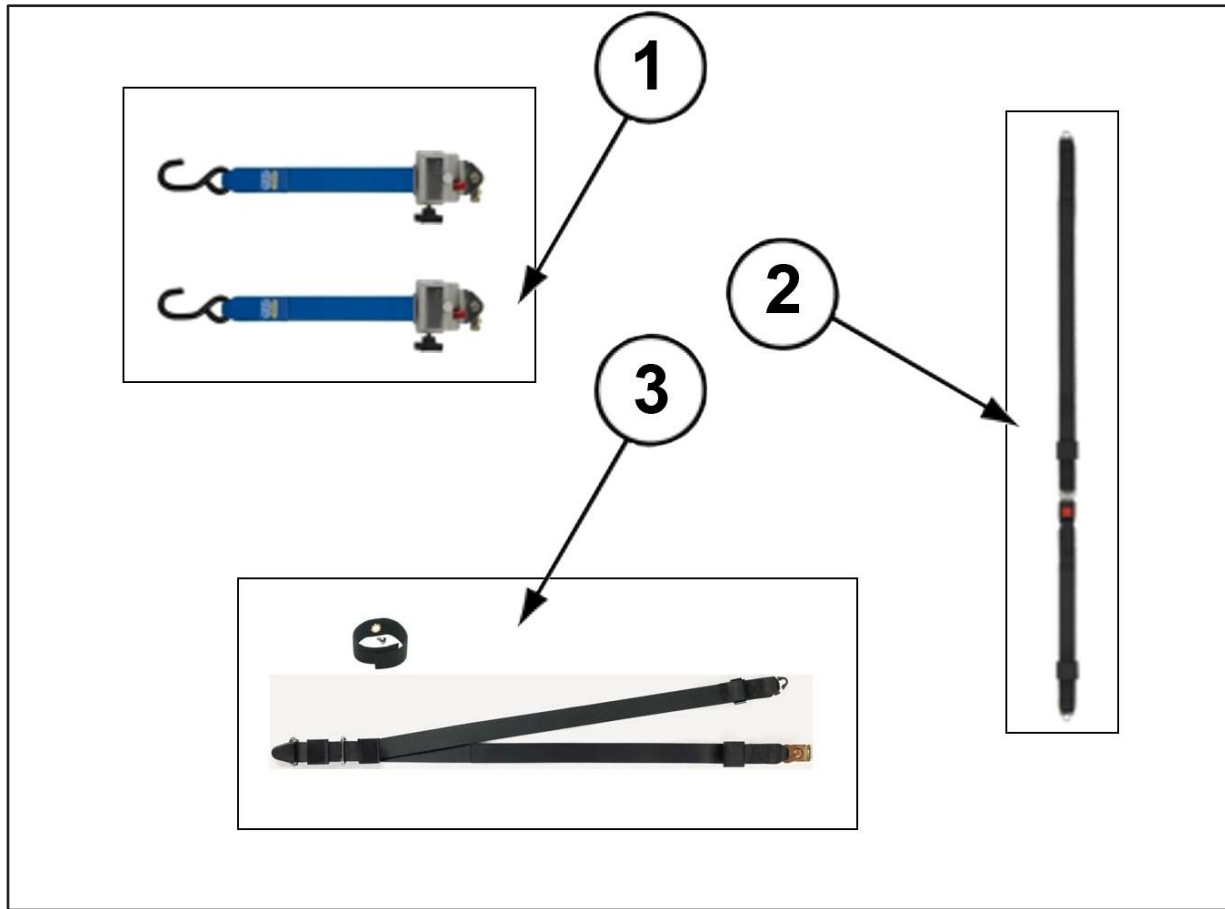
Sure-lok tiedown, titan (Pdot) 0415616

<i>ITEM PART NO. DESCRIPTION</i>	<i>QTY</i>	<i>ITEM PART NO. DESCRIPTION</i>	<i>QTY</i>
1 7371215 Track, Aluminum- LW/Flange	2		
2 4570061 Track, Aluminum-L WO Flange	1		
3 7371133 End, Floor Track - Black Plastic	2		
4 7371603P Tiedown, Sure-Lok Titan	2		
5 7371612 Container, Storage Mesh Sure-Lok	2		
6 7371611 Strap, Quick Sure-Lok 16"	8		
NS 0374644 Steel, Flat 11GA 4"x 120"	A/R		



SURE-LOK TITAN TIEDOWN KIT 0415617

<i>ITEM PART NO. DESCRIPTION</i>	<i>QTY</i>	<i>ITEM PART NO. DESCRIPTION</i>	<i>QTY</i>
1 7371603P Tiedown, Sure-Lok Titan	1		
2 4570061 Track, Tiedown Alum-L W/O Flng	1		
2 7371133 End, Floor Track - Black Plastic	2		
3 7371215 Track, Tiedown Alum-L W/Flange	.5		
04 7371611 Strap, Quick 16"	1		
05 7371612 Container, Storage Mesh	1		
NS 7371533 Loop, Webbing	4		
NS 7371357 Pouch, Kinedyne Tiedown Gray Vinyl	1		



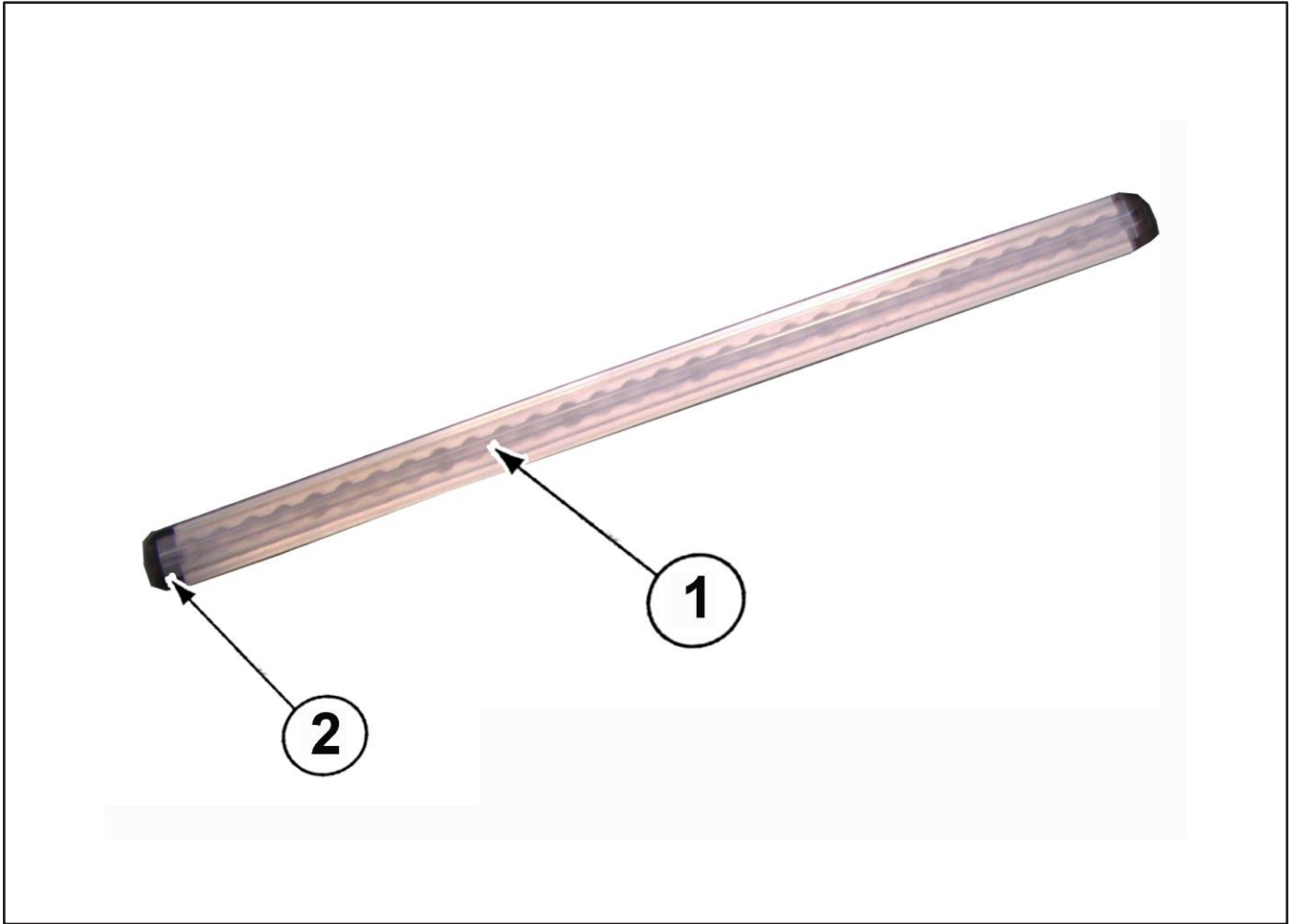
TIEDOWNS, NONRETRACTABLE 0416513

<i>ITEM PART NO. DESCRIPTION</i>	<i>QTY</i>	<i>ITEM PART NO. DESCRIPTION</i>	<i>QTY</i>
01 7371627 TIEDOWN, RETRACTOR	1		
02 7371626 BELT, LAP 96" SURE-LOK	1		
03 7371629 BELT, SHOULDER NON-RETRACTABLE	1		



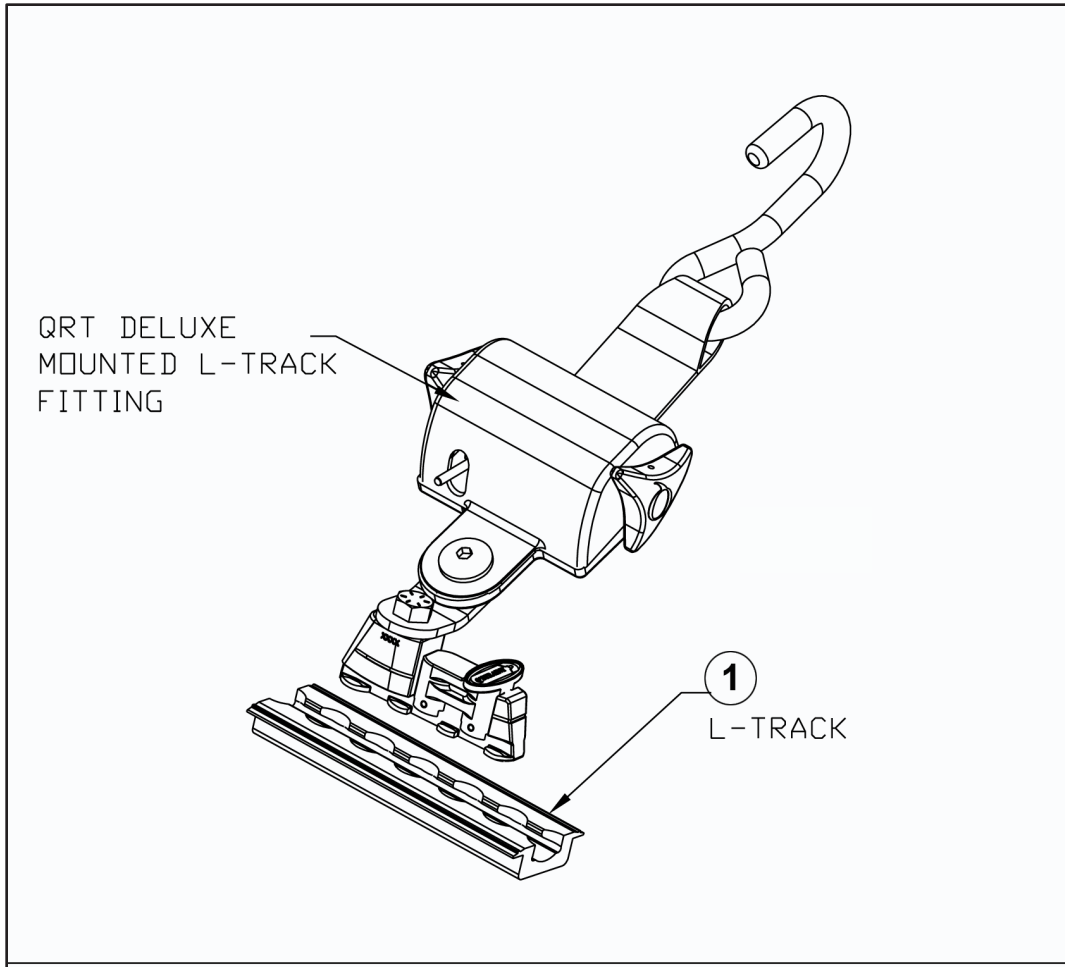
tiedown storage pouch-gray
cx0000060026

<i>ITEM PART NO. DESCRIPTION</i>	<i>QTY</i>	<i>ITEM PART NO. DESCRIPTION</i>	<i>QTY</i>
01 7371357 Pouch, Kinedyne Tiedown Gray Vinyl	1		
NOTE: Picture is of Black Vinyl			



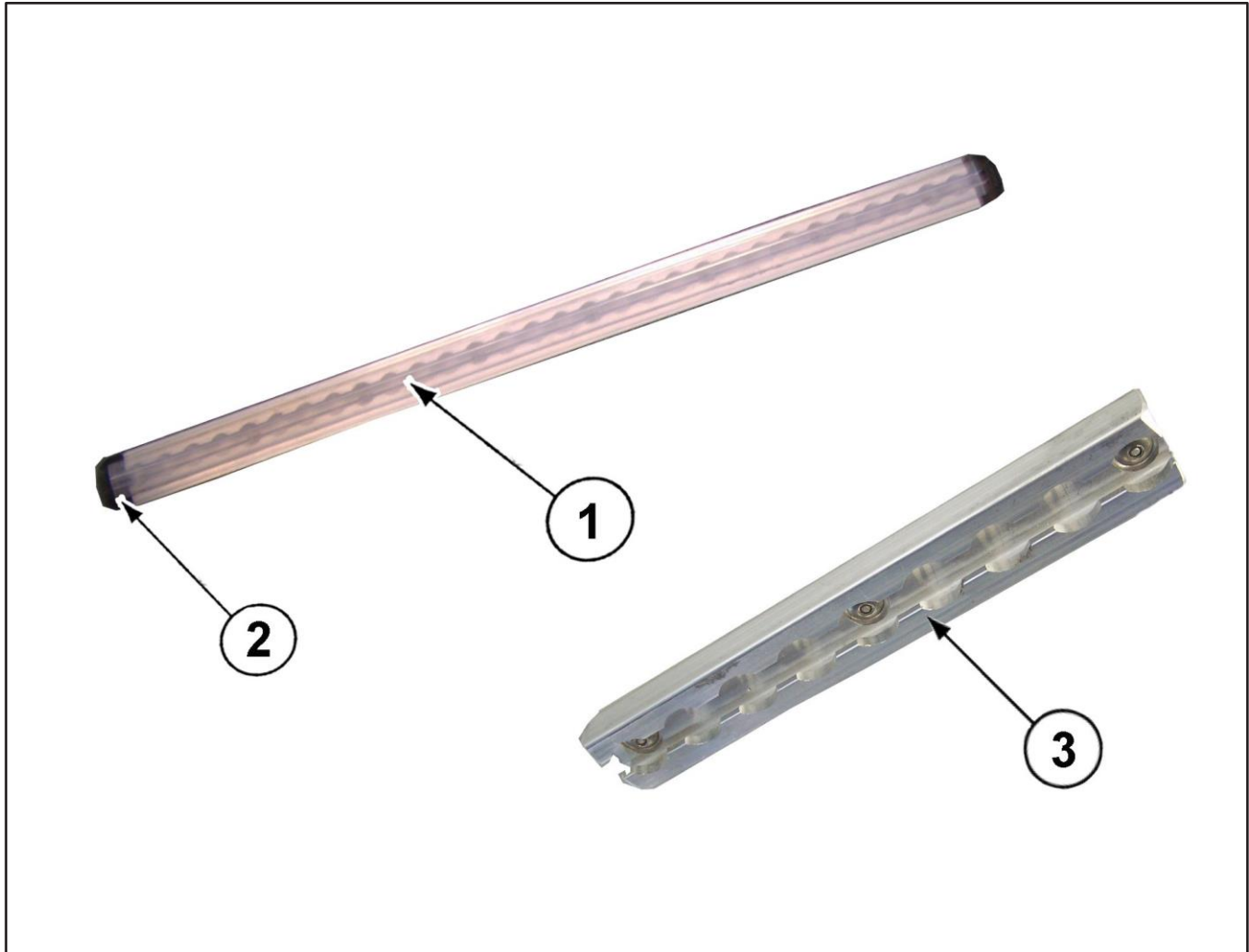
aluminum Tiedown Track w/o flange
cX0000061056

<i>ITEM PART NO. DESCRIPTION</i>	<i>QTY</i>	<i>ITEM PART NO. DESCRIPTION</i>	<i>QTY</i>
1 4570061 Track, Tiedown Alum WO Flange	AR		
2 7371133 End, Floor Track - Black	AR		



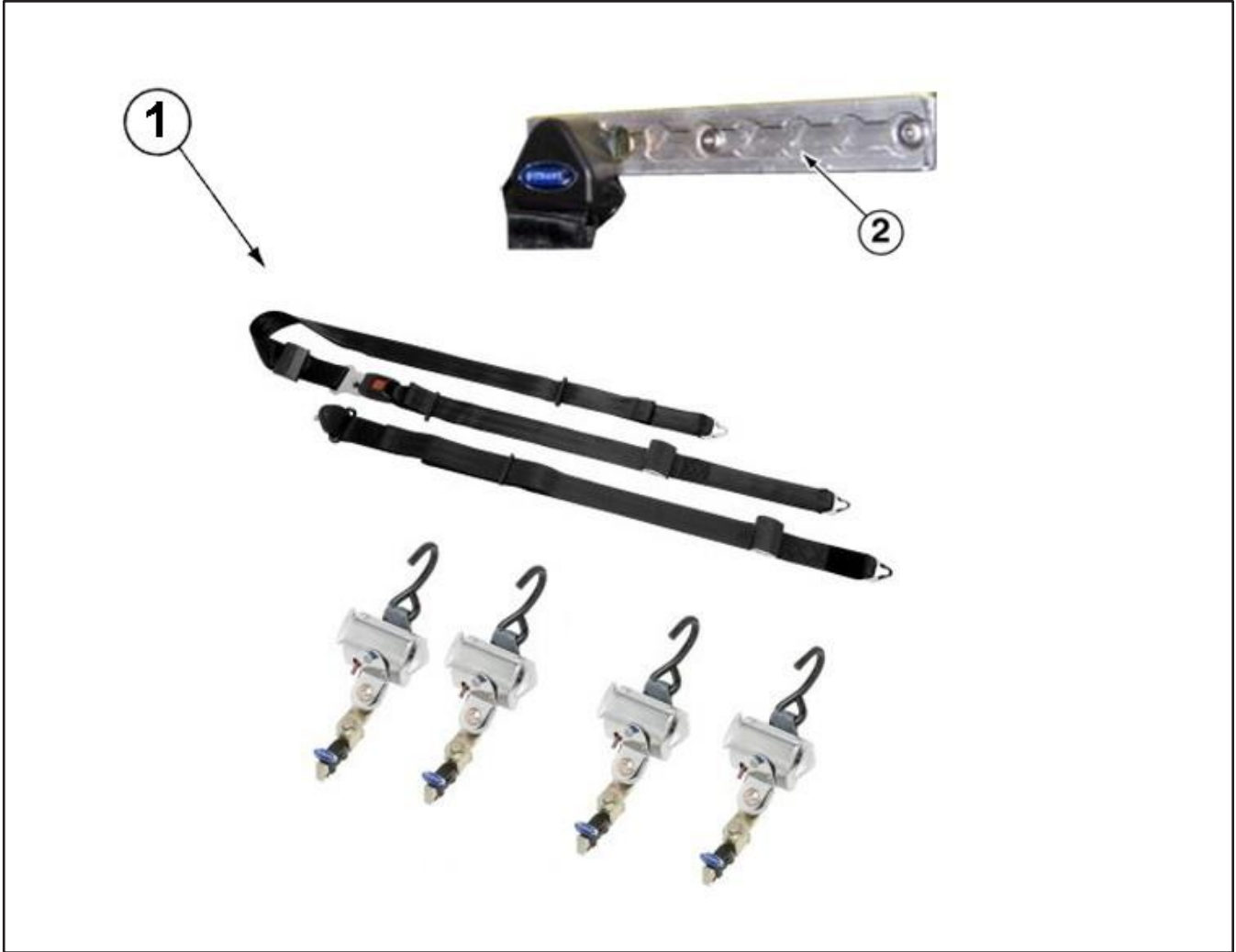
I-track front to back
cx0000061057

<i>ITEM PART NO.</i>	<i>DESCRIPTION</i>	<i>QTY</i>	<i>ITEM PART NO.</i>	<i>DESCRIPTION</i>	<i>QTY</i>
01 7371215	TRACK, TIEDOWN ALUM-L W/FLANGE	A/R			
N/S 4570061	TRACK, TIEDOWN ALUM-L W/O FLANGE	A/R			



I-track full length of bus cx0000060047

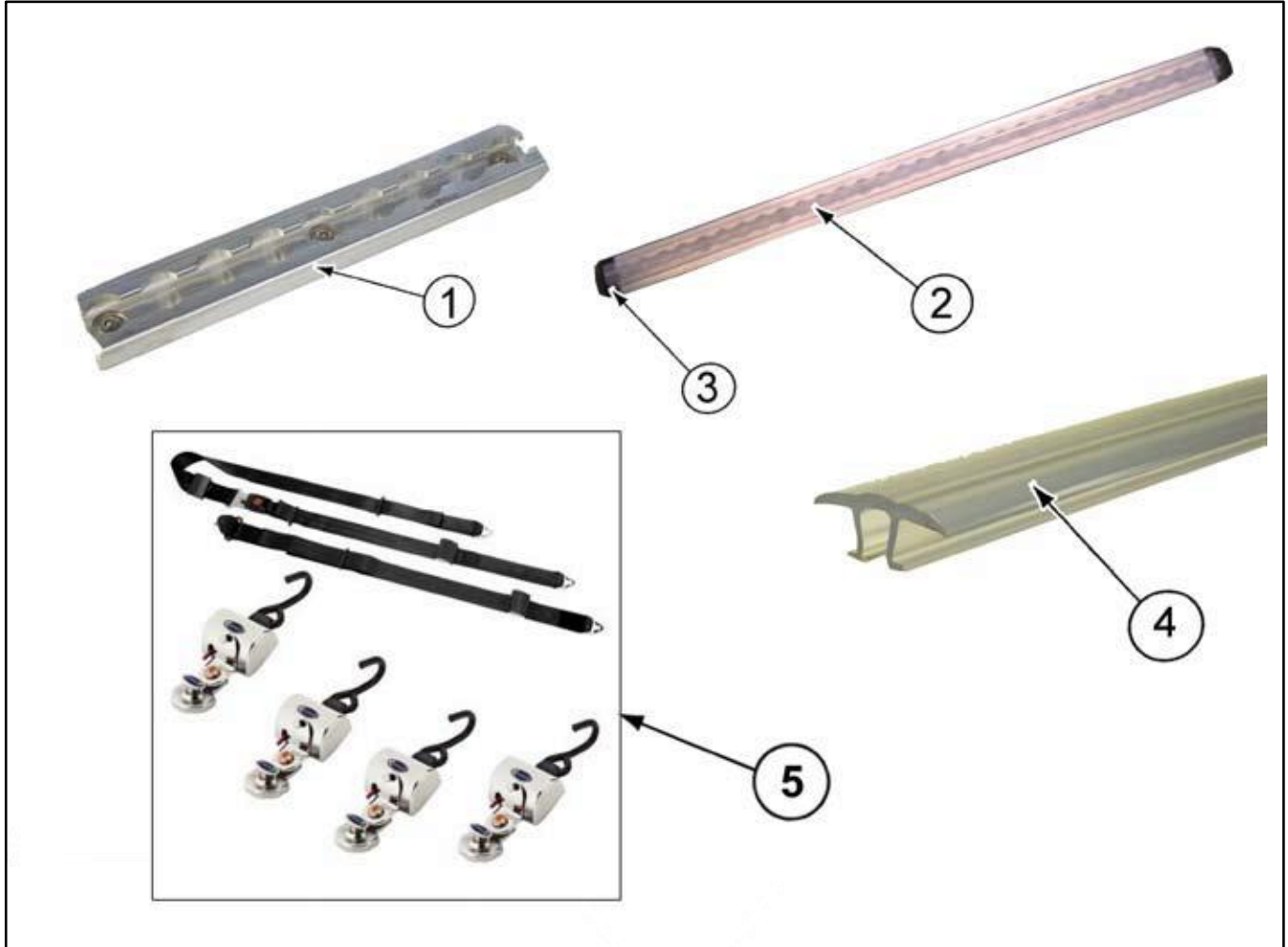
<i>ITEM PART NO. DESCRIPTION</i>	<i>QTY</i>	<i>ITEM PART NO. DESCRIPTION</i>	<i>QTY</i>
1 4570061 Track, Tiedown Alum.-L W/O Flnge	2		
2 7371133 End, Floor Track - Black	AR		
3 7371215 Track, Tiedown Alum.-L W/Flange	5		
NS 0348250 Steel, Flat 11GA x 3 x 10'	10		



Q-Straint non-retractable tiedowns

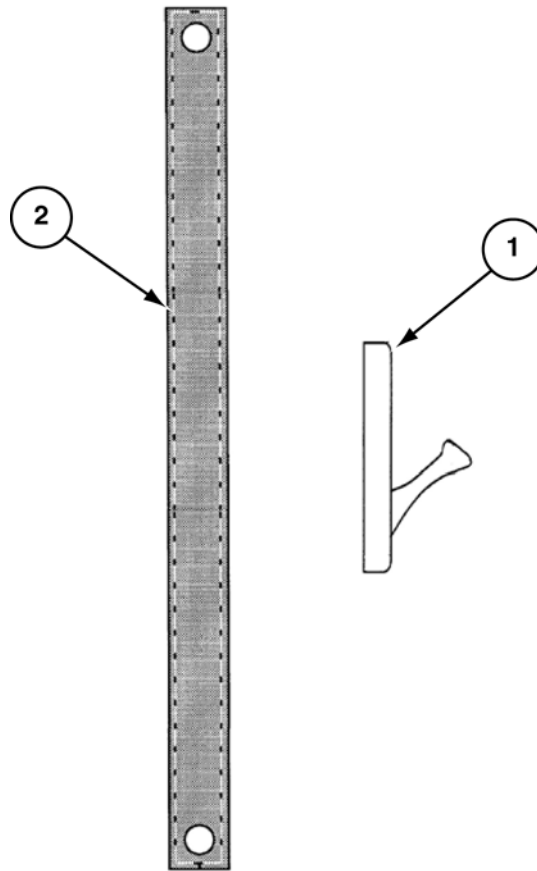
cX0000062006

<i>ITEM PART NO. DESCRIPTION</i>	<i>QTY</i>	<i>ITEM PART NO. DESCRIPTION</i>	<i>QTY</i>
01 7371579 Q-Straint, Kit Q-8100-AF-L	1		
02 4570061 Track, Tiedown Alum-L W/O Flange	AR		
NS 7371601 Bracket, Shoulder Belt	1		
NS 3370046 Insert, Clear Seat Track X 96.0	1		
NS 7371133 End, Floor Track - Silver Plastic	8		
NS 7371215 Track, Tiedown Alum-L W/Flange	AR		



q-strait tiedown max, non-ret 0416520

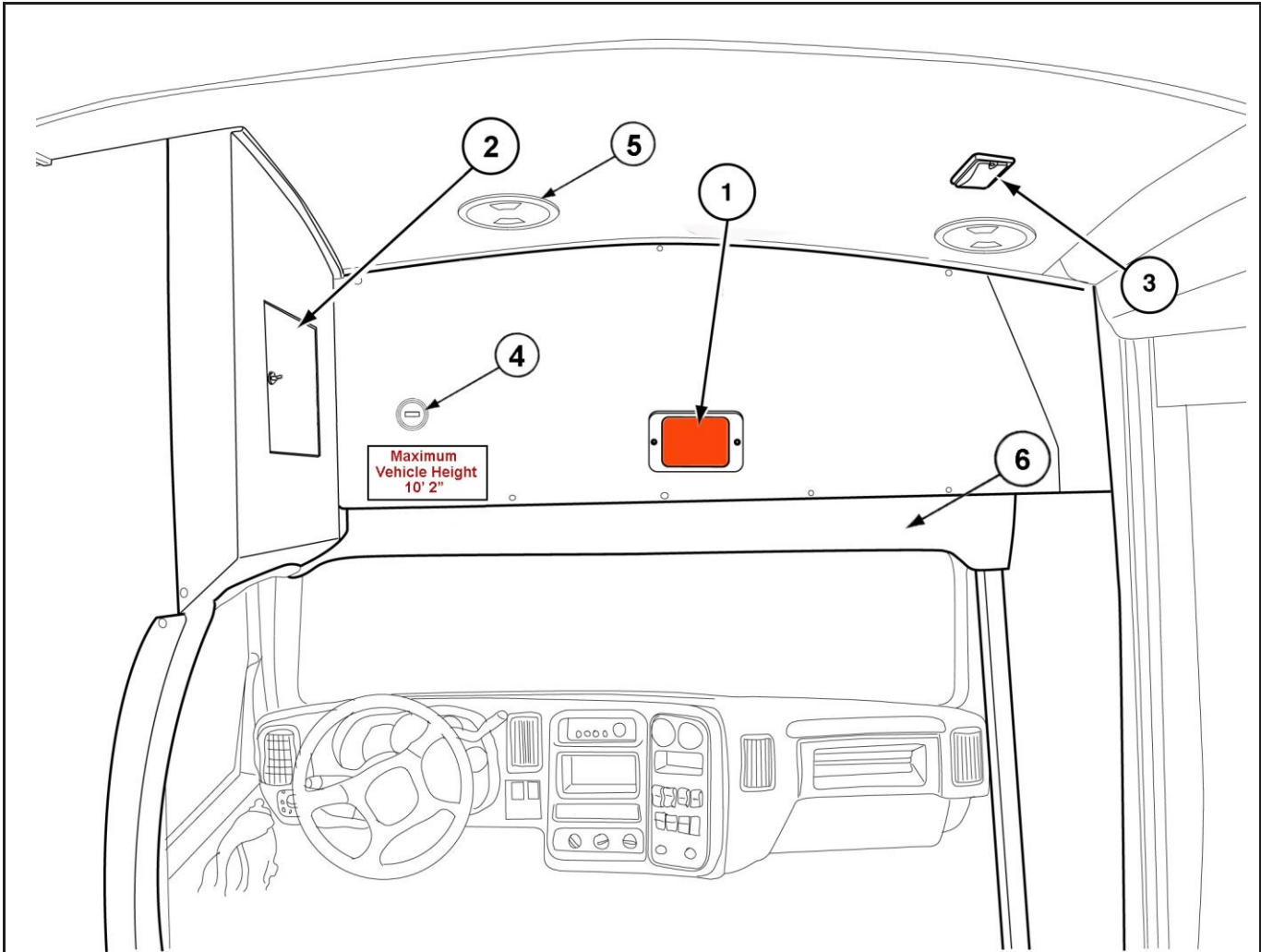
<i>ITEM PART NO. DESCRIPTION</i>	<i>QTY</i>	<i>ITEM PART NO. DESCRIPTION</i>	<i>QTY</i>
1 7371215 Tiedown Aluminum-L W/ Flange	A/R		
2 4570061 Tiedown Aluminum-L W/O Flange	A/R		
3 7371133 End, Floor Track	A/R		
4 3370046 Insert Clear Seat Track	A/R		
5 7371631 Tiedown, Q-Straint Nonret	A/R		
NS 0374644 Steel, Flat 11GA 4"x120"	A/R		



INSTALL DRIVER'S COAT HOOK

CX-000-900-3163S / CX0000083163

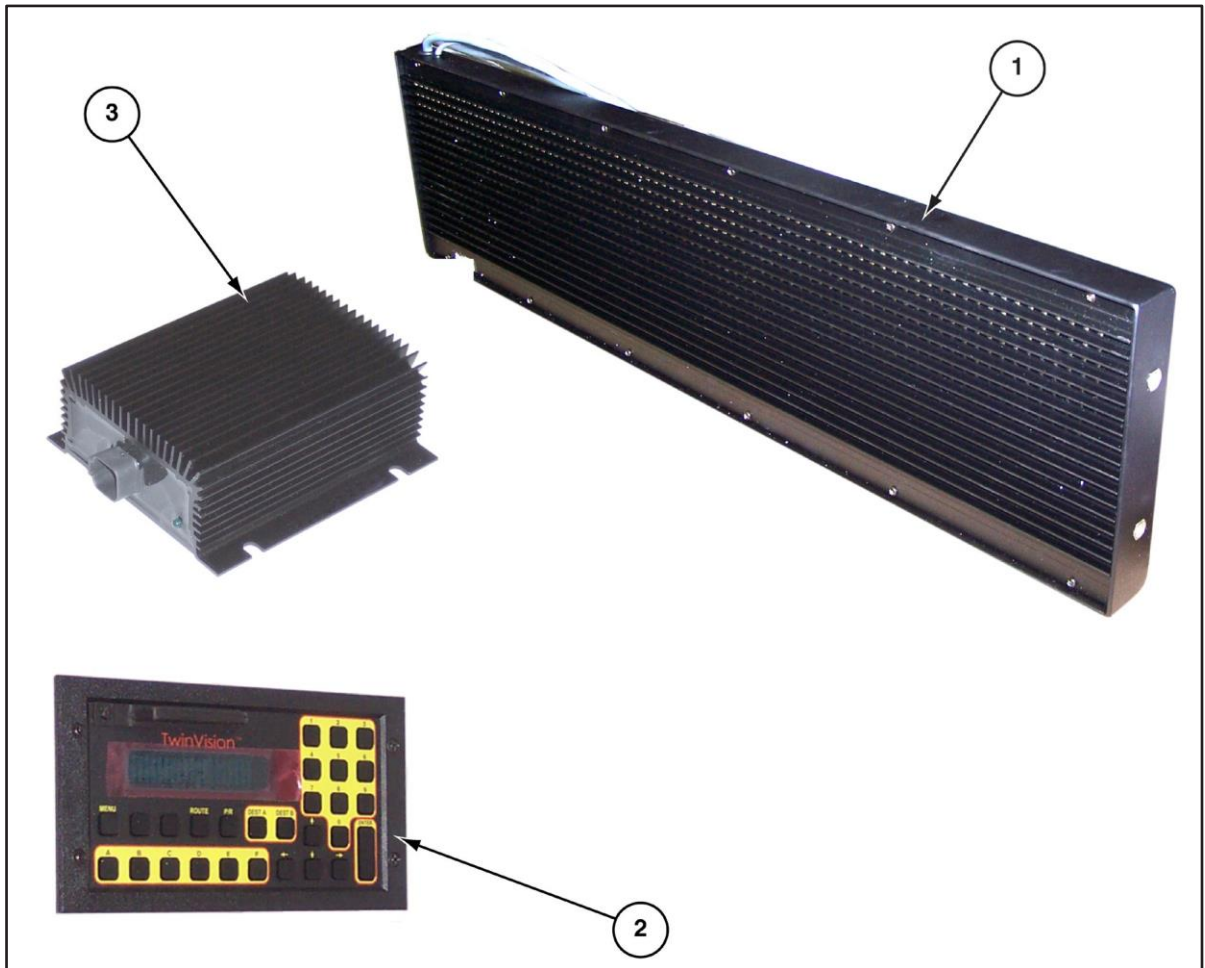
<i>ITEM</i>	<i>PARTNO.</i>	<i>DESCRIPTION</i>	<i>QTY</i>	<i>ITEM</i>	<i>PARTNO.</i>	<i>DESCRIPTION</i>	<i>QTY</i>
01	4941647	HOOK,GARMET	1				
02	7371086	STRAP,HCLDBACK[20"]	1				
N/S	8570714	SCREW [8x 1-1/4] PHIL SEMST2POLAR	2				



Permit Holder, Hour meter

0413219 / 0418498 / CX0000023097 (reV-A)

ITEM	PART NO.	DESCRIPTION	QTY	ITEM	PART NO.	DESCRIPTION	QTY
0413219 HOLDER, PERMIT				CX0000012955 ENGINE HOUR METER			
01	6570116	Holder, Permit #43424	1	04	3944741	Meter, Hour 331-020	1
NS	0342428	Steel, Flat 16GA x 6 x 96"	AR	0403063 PORT ACCESS 5.0			
2	3371928	Door, Electric Panel Access	1	05	3342144	Port, Access 5.0	2
CX0000023097 DOME LIGHT, DOOR ACTUATED				06	3371793	Windshield Cap	1
3	3943917	Light, Dome W/Out Switch	1	NS	3371243	Front Board Panel	1



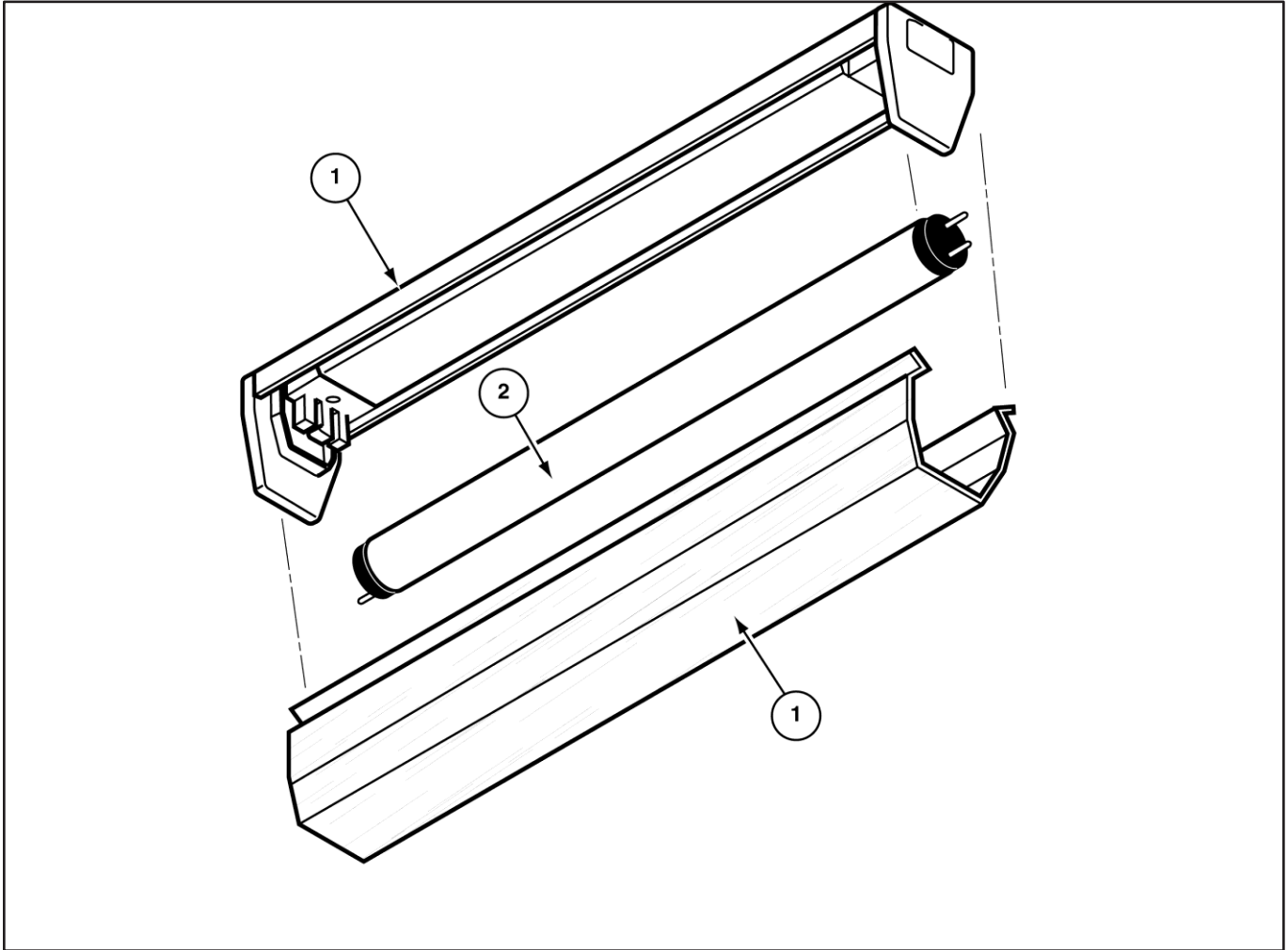
**twin vision destination sign, P-dot
0412662P**

<i>ITEM PART NO.</i>	<i>DESCRIPTION</i>	<i>QTY</i>	<i>ITEM PART NO.</i>	<i>DESCRIPTION</i>	<i>QTY</i>
1	8971031 SIGN,DESTINATION (TWIN VISION)	2			
2	8970861 CONSOLE,OCUTWIN VISION	1			
03	3973278 CONVERTER, 12V - 24A DC	1			
N/S	8970917 CARD,PCMCIA 1.0 MEG	1			
N/S	8970804 ELYSE SOFTWARE	1			
N/S	0377524 BRACKET,FRONT DESTINATION SIIGN	1			
N/S	0377895 BRACKET,SIDE DESTINATION SIGN	1			
N/S	8971008 SIGN,DEST SIGN 14X72-8MM ALL LED	1			
N/S	0413243 HARNESS,DEST SIGN TWIN VISION	1			



TWIN VISION DESTINATION SIGNS 0417334

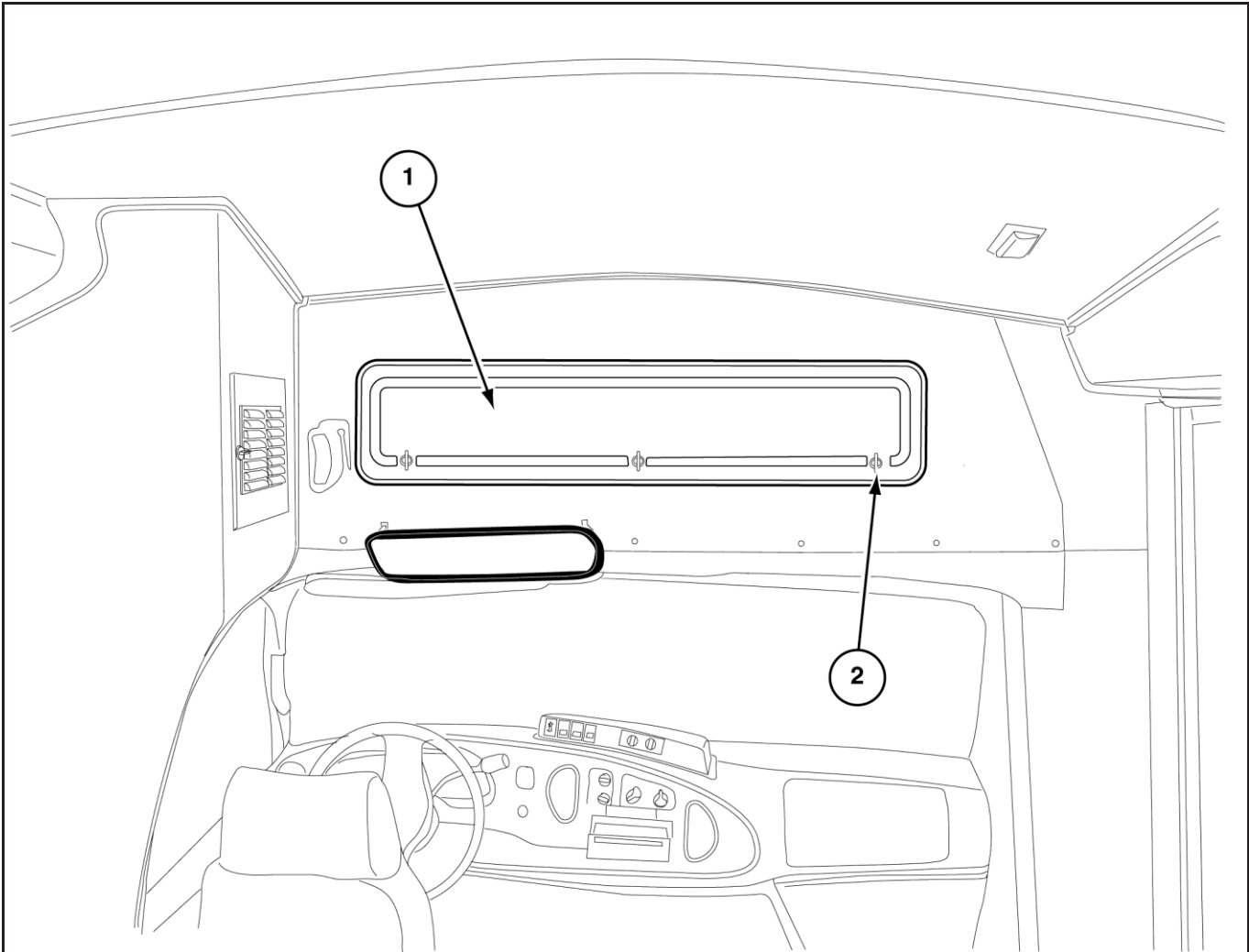
<i>ITEM PART NO. DESCRIPTION</i>	<i>QTY</i>	<i>ITEM PART NO. DESCRIPTION</i>	<i>QTY</i>
1 3974702 Sign, Destination 14 x 72-8MM LED	1		
2 3974703 Sign, Destination 14 x 108-8MM LED	1		
3 8970861 Console, OCU TwinVision W/RS 232	1		
04 3973278 Converter, 12V-24V 10A DC	1		
NS 8970917 Card, PCMCIA 1.0 MEG	.2		
NS 8970804 ELYSE, Software (License Fee)	.2		
NS 0377524 Bracket, Twin Vision Frnt Dest Sign	1		
NS 0377895 Bracket, Dest. Sign (Twin Vision)	1		
NS 3974660 Harness, Dest Sign Front	1		



destination sign prep ft/sd multiple

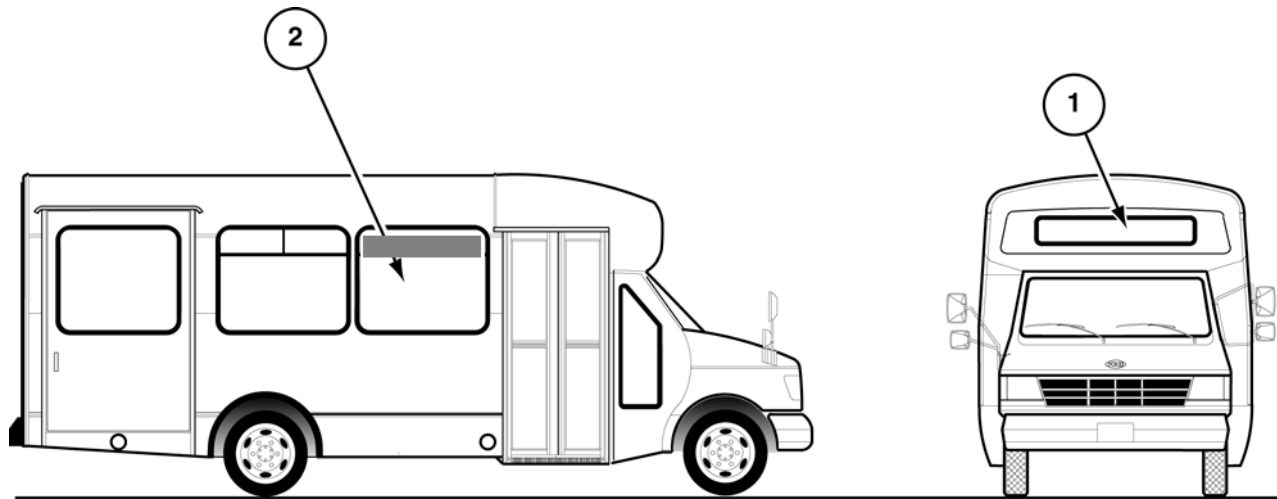
0418442 / 0406058

<i>ITEM PART NO. DESCRIPTION</i>	<i>QTY</i>	<i>ITEM PART NO. DESCRIPTION</i>	<i>QTY</i>
0406058 Light, Flourescent 48" Single		0418442 Install, Dest Sign Prep Front Multiple	
1 3971241 Kight, Flourscent 48" Ballast Assem	1	NS 0371765 Bracket, Multi Destination Sign C/S	1
2 3972317 Bulb, Flourscent 4' Double Prong 40W	1	NS 0374399 Bracket, Multi Destination Sign R/S	1
NS 3970472 Breaker, 15 AMP 1771-1520 (silver)	1	NS 3971519 Clamp, P-Vinyl Coated Steel 1"	1
NS 0403575 Harness, Destination Sign Lighting	1	NS 3140431 Paint, Flat Back (Satin)	1
		NS 4540142 Angle, Aluminum (1 x 1.5 x 12')	AR
		NS 3973789 Switch, Carling Momentary	2
		NS 3971581 Terminal, QKDisc / FEM Non-Ins 16-14	1
		NS 0378204 Bracket, Destination Sign Front	2
		NS 3972094 Breaker, 15 AMP Manual Reset	1



install DEstinatiOn siGn accEss DOOr
0418442 / 0403572

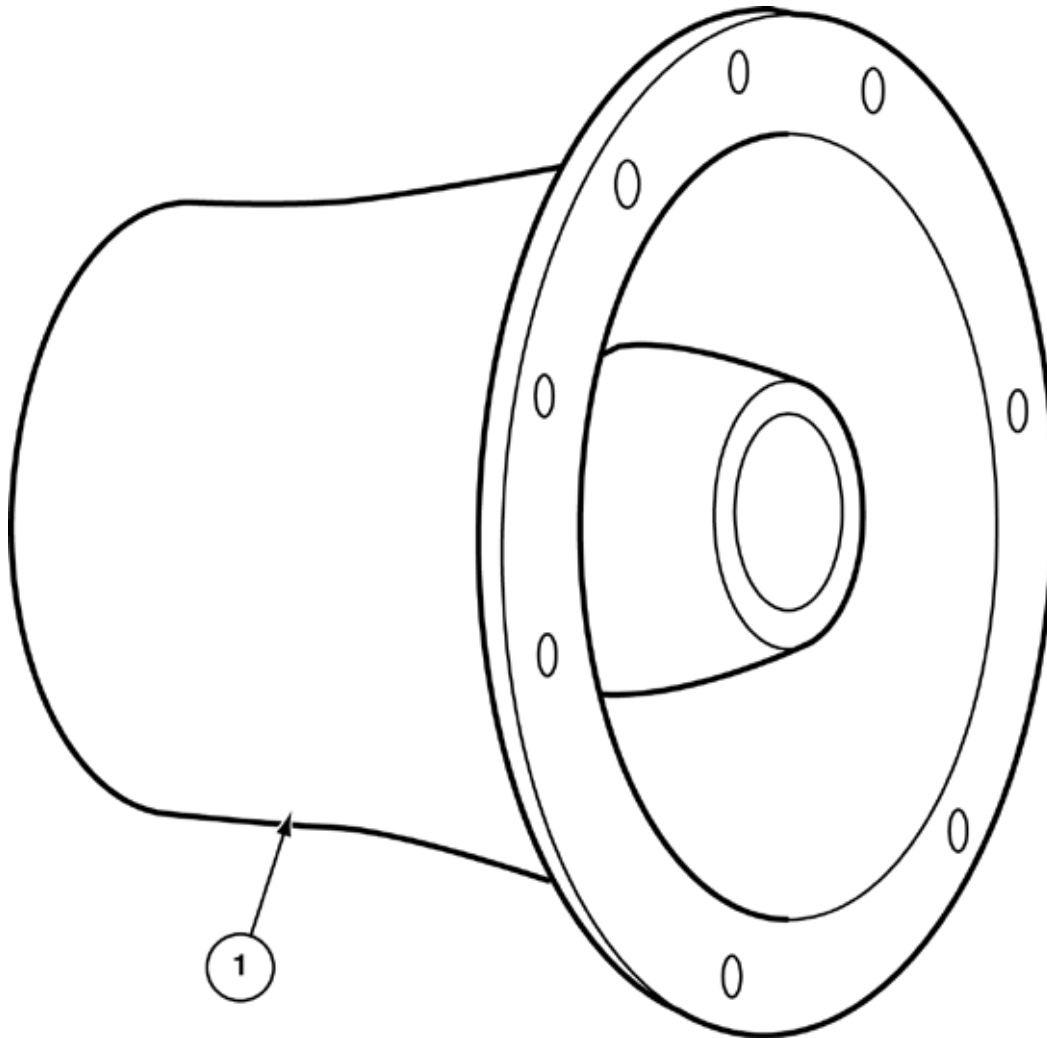
<i>ITEM</i>	<i>PART NO.</i>	<i>DESCRIPTION</i>	<i>QTY</i>	<i>ITEM</i>	<i>PART NO.</i>	<i>DESCRIPTION</i>	<i>QTY</i>
1	3370939	DOOR, DESTINATION SIGN	1				
N/S	3370798	GUARD, DOOR EDGE	A/R				
N/S	4970476	HINGE, CONCEALED	3				
2	4941520	THUMB-LOCK, COMPLETE	3				
N/S	8570668	SPUR-WASHER (1-1/8")	3				
N/S	0375567	PLATE, CONCEALED HINGE BACKING	3				
N/S	3370919	SHEET, ABS .125" x 48" x 78" GRAY	A/R				
N/S	4540421	BAR, ALUMINUM .125" x .75 x 4'	A/R				
N/S	8570916	SCREW (6 x 3/8 PHIL OVAL TYPE AB ZINC)	6				



INSTALL DESTINATION SIGN WINDOW

0418442 / 0403571 / 0407704

<i>ITEM PARTNO. DESCRIPTION</i>	<i>QTY</i>	<i>ITEM PARTNO. DESCRIPTION</i>	<i>QTY</i>
0403571 FRONT WINDOW FOR DESTINATION SIGN			
1 5970157 WINDOW, DESTINATION SIGN	1		
N/S 8570739 SCREW (8 x 3/4 PAN QUAD BLACK EMPIGUARD)	24		
0407704 SIDE WINDOW W/ CLEAR TOP-DESTINATION SIGN			
2 5970733 WINDOW, CLEAR TOP DESTINATION (36.38 x 46.5)	1		
N/S 8570739 SCREW (8 x 3/4 PAN QUAD BLACK EMPIGUARD)	30		



exterior page speaker
cx-000-900-5030 / cx0000025030

ITEM	PART NO.	DESCRIPTION	QTY	ITEM	PART NO.	DESCRIPTION	QTY
01	3971955	Speaker, External	1				
N/S	0741009	Tube, Shrink .25 PF-1/4-4BK	A/R				
N/S	3945623	Loom, 1/4" Split Plastic Hi-Temp	A/R				
N/S	3973881	SWITCH,CARLING ON/OFF	1				
N/S	3973901	ACTUATOR,BLANK	1				
N/S	3973885	SWITCH,HOLDER PLUG	1				
N/S	3973901	ACTUATOR,BLANK	1				



5 1/2" EXTRA SPEAKERS

CX00000022806 / CH-000-900-2806

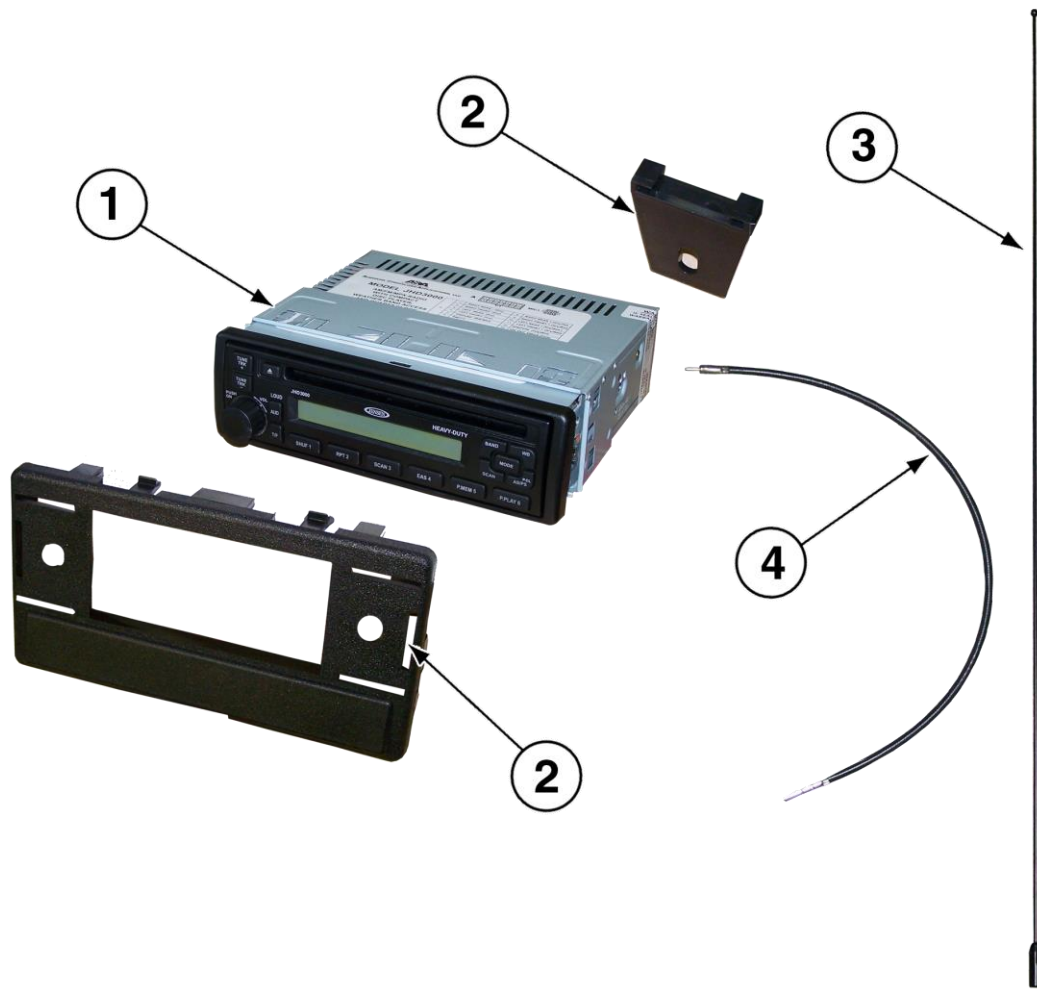
<i>ITEM PART NO. DESCRIPTION</i>	<i>QTY</i>	<i>ITEM PART NO. DESCRIPTION</i>	<i>QTY</i>
01 3972268 SPEAKER (5 1/2" EXC-SP-8527)	1		



2-Way Shallow Mount SpeakerS

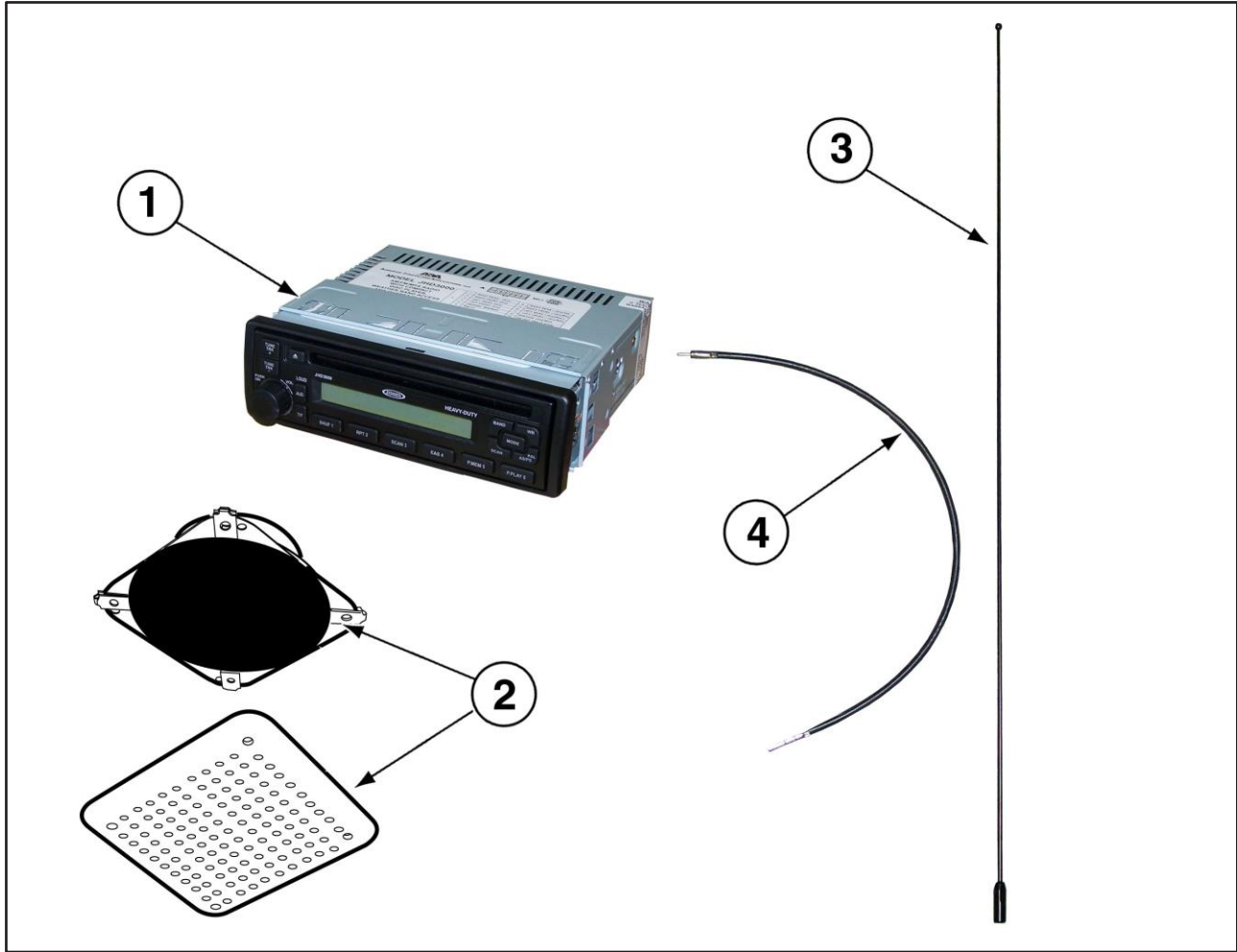
CX0000023280

<i>ITEM PART NO. DESCRIPTION</i>	<i>QTY</i>	<i>ITEM PART NO. DESCRIPTION</i>	<i>QTY</i>
01 3973839 Speaker, 5" 2-Way w Grill Shallow	1		



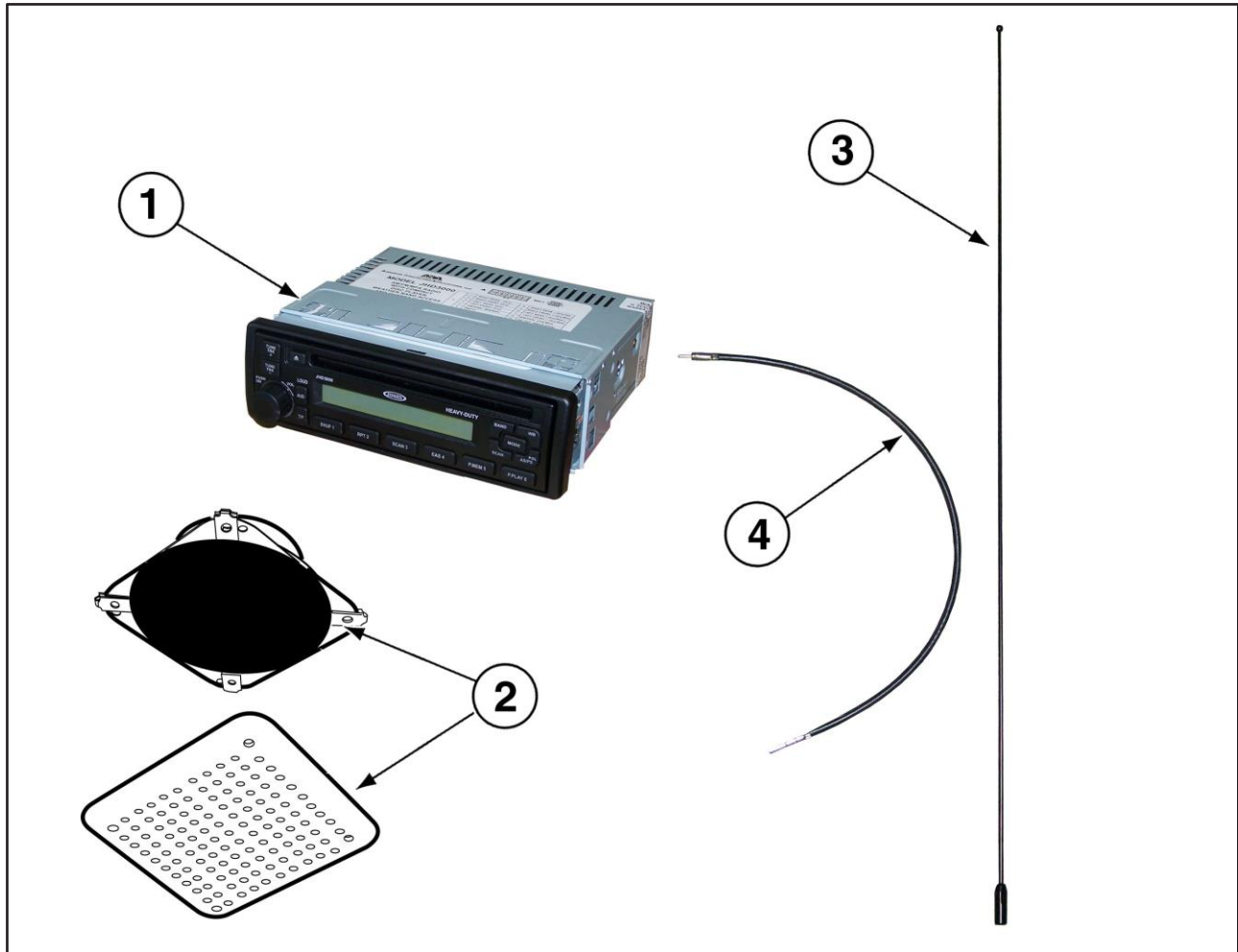
**Radio - am/fm/cd
ch-000-900-1830c**

ITEM PART NO.	DESCRIPTION	QTY	ITEM PART NO.	DESCRIPTION	QTY
ch-000-900-1830 Radio, am/fm cd Player					
01	3972833 AM/FM CD Player	1			
02	3371332 Bracket, Radio Mounting	1			
03	3971367 Antenna, DA-3	1			
04	3971364 Lead, Antenna 24"	1			
N/S	0374358 Plate, Radio Installation	1			
N/S	3971341 Wire, Speaker Blue/White	A/R			



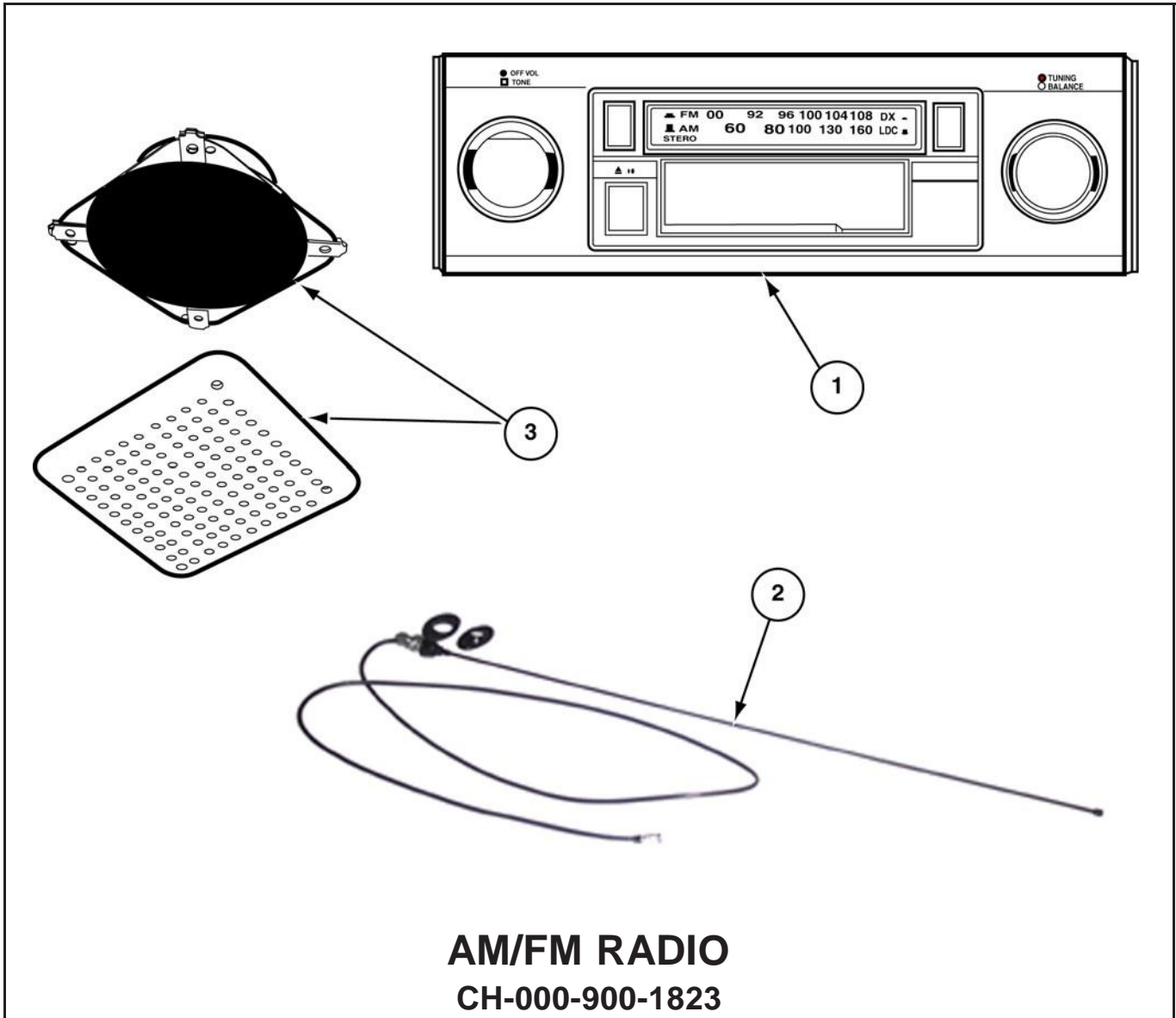
RADIO, AM/FM CD W/SPEAKERS CH0000023303

<i>ITEM PART NO. DESCRIPTION</i>	<i>QTY</i>	<i>ITEM PART NO. DESCRIPTION</i>	<i>QTY</i>
01 3974467 RADIO, P-DOT	1		
02 3974468 SPEAKER, 4" W/GRILL	4		
N/S 3974469 SPEAKER, DRIVER'S 4" W/GRILL	1		
3 Not in this package			
4 Not in this package			



RADIO, AM/FM CD W/SPEAKERS GM0000023303

<i>ITEM PART NO. DESCRIPTION</i>	<i>QTY</i>	<i>ITEM PART NO. DESCRIPTION</i>	<i>QTY</i>
01 3974467 RADIO, P-DOT	1		
2 3974468 SPEAKER, 4" W/GRILL	5		
N/S 3974469 SPEAKER, DRIVER'S 4" W/GRILL	5		
3 Not in this package			
4 3974697 ADAPTER, ANTENNA GMT560	1		
NS 3371385 KIT, RADIO INSTALLATION GM	1		
NS 3974772 HARNESS, 710155 FOR RADIO	1		



<i>ITEM</i>	<i>PART NO.</i>	<i>DESCRIPTION</i>	<i>QTY</i>	<i>ITEM</i>	<i>PART NO.</i>	<i>DESCRIPTION</i>	<i>QTY</i>
1	3971480	RADIO, AM/FM FLEET SPEC AM/FM	1				
2	3971367	ANTENNA, PILLAR MOUNT	1				
3	3972875	SPEAKER, MINI SQUARE	1				
N/S	3971385	KIT, RADIO INSTALLATION GM	1				
N/S	3971812	HARNES, PANASONIC RADIO TO CHEVY	1				



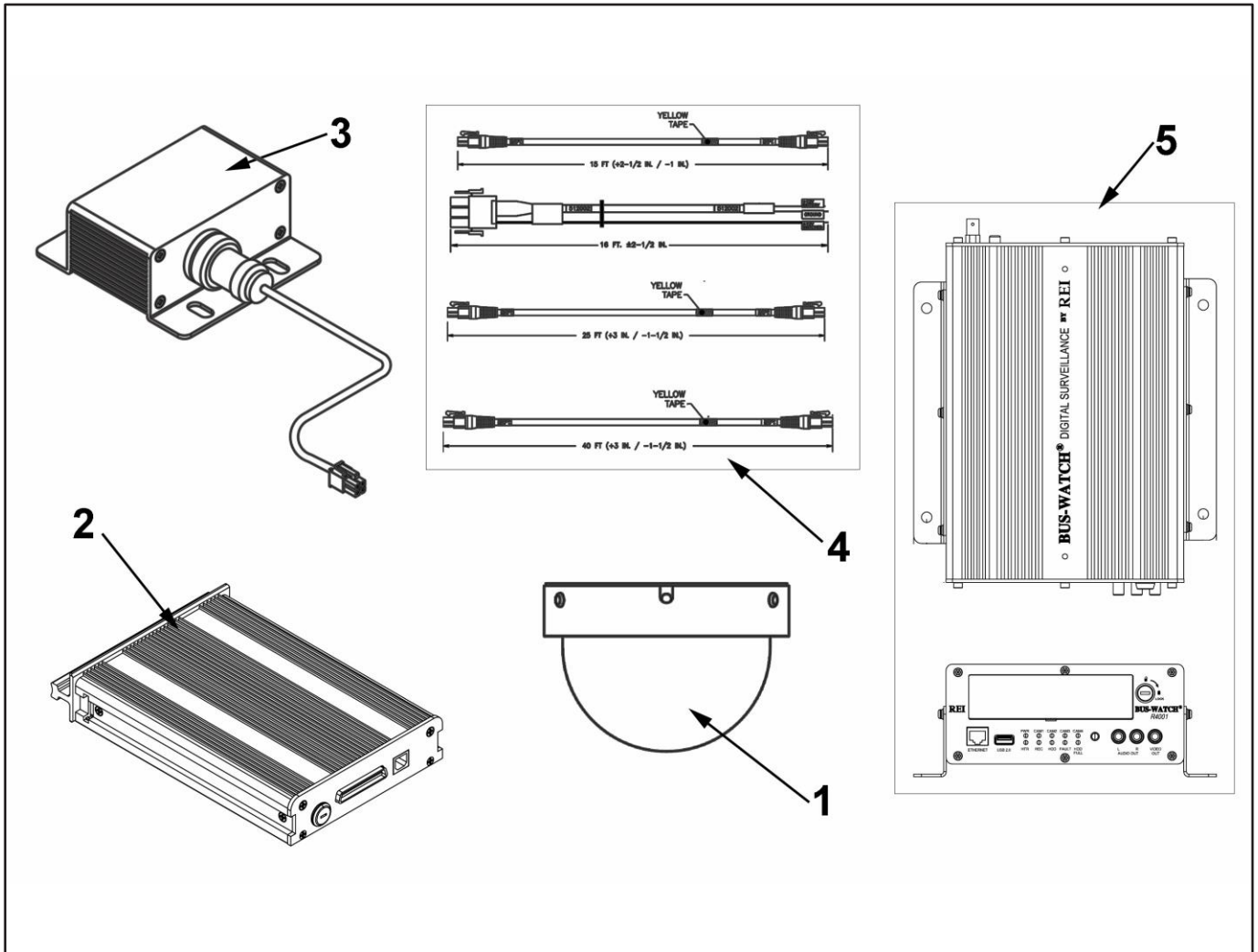
RADIO, two way pRep
CH000022998, 0403063, CH-000-900-2998

<i>ITEM PART NO. DESCRIPTION</i>	<i>QTY</i>	<i>ITEM PART NO. DESCRIPTION</i>	<i>QTY</i>
0403063 INSTALL, ACCESS PORT		CH000022998 TWO WAY RADIO PREP CH/CR	
01 3342144 Port, Access 5.0	1	NS 0342428 Steel, Flat 14GA/16GA x 6 x 96	AR
NS 8570739 Screw, 8 x 384 Pan Black	6	NS 3971058 Conduit, 3/4" Flex Aluminum 50'	17
		NS 3971354 Wire, 10GA GXL Red	27
		NS 3971309 Wire, 10GA GXL White	12
		NS 3971611 Terminal, Heat Shrink Ring 12-10 #10	1
		NS 3941127 Loom, 1/2" Split Plastic	12



**antenna - 96" I-96 gmt
0414747 - ReVISED**

ITEMPART NO.	DESCRIPTION	ITEMPART NO.	DESCRIPTION
01	3971367 ANTENNA, PILLER MOUNT	1	
NS	3972093 LEAD, ANTENNA 96" L-96	1	



camera & on board digital system pa0000072985

<i>ITEM PART NO. DESCRIPTION</i>	<i>QTY</i>	<i>ITEM PART NO. DESCRIPTION</i>	<i>QTY</i>
1 3974489 Camera, Surveillance System	1		
2 3974490 Hard Drive, 160G W/USB	1		
3 NA Inertia Sensor, Accelerometer Module	1		
04 NA Cables, BW Cam 40', 25', 16', 15' (Rec)	4		
05 710134 DVR, Bus Watch R4001	1		
NS 3974135 Harness, Event Marker	1		
NS 3974491 Harness, Accelerometer	1		



**spare tire (LOOse) chevy ch
ch-000-900-2011Lc**

<i>ITEM PART NO. DESCRIPTION</i>	<i>QTY</i>	<i>ITEM PART NO. DESCRIPTION</i>	<i>QTY</i>
01 0570164 WHEEL,16" CHEVY 29588	1		
02 0570163 TIRE,UNIROYAL225/75R16LRD LAREDO	1		
N/S 0541755 VALVE,AIR (BRASS)	1		



sparetire(LOOse)
ch-000-900-2011L

<i>ITEM</i>	<i>PART NO.</i>	<i>DESCRIPTION</i>	<i>QTY</i>	<i>ITEM</i>	<i>PART NO.</i>	<i>DESCRIPTION</i>	<i>QTY</i>
01	0570164	WHEEL, 16" CHEVY 29588	1				
02	0570191	TIRE, OEM CHASSIS - Ford/Chevy/Ftl	1				
N/S	0541755	VALVE, AIR (BRASS)	1				



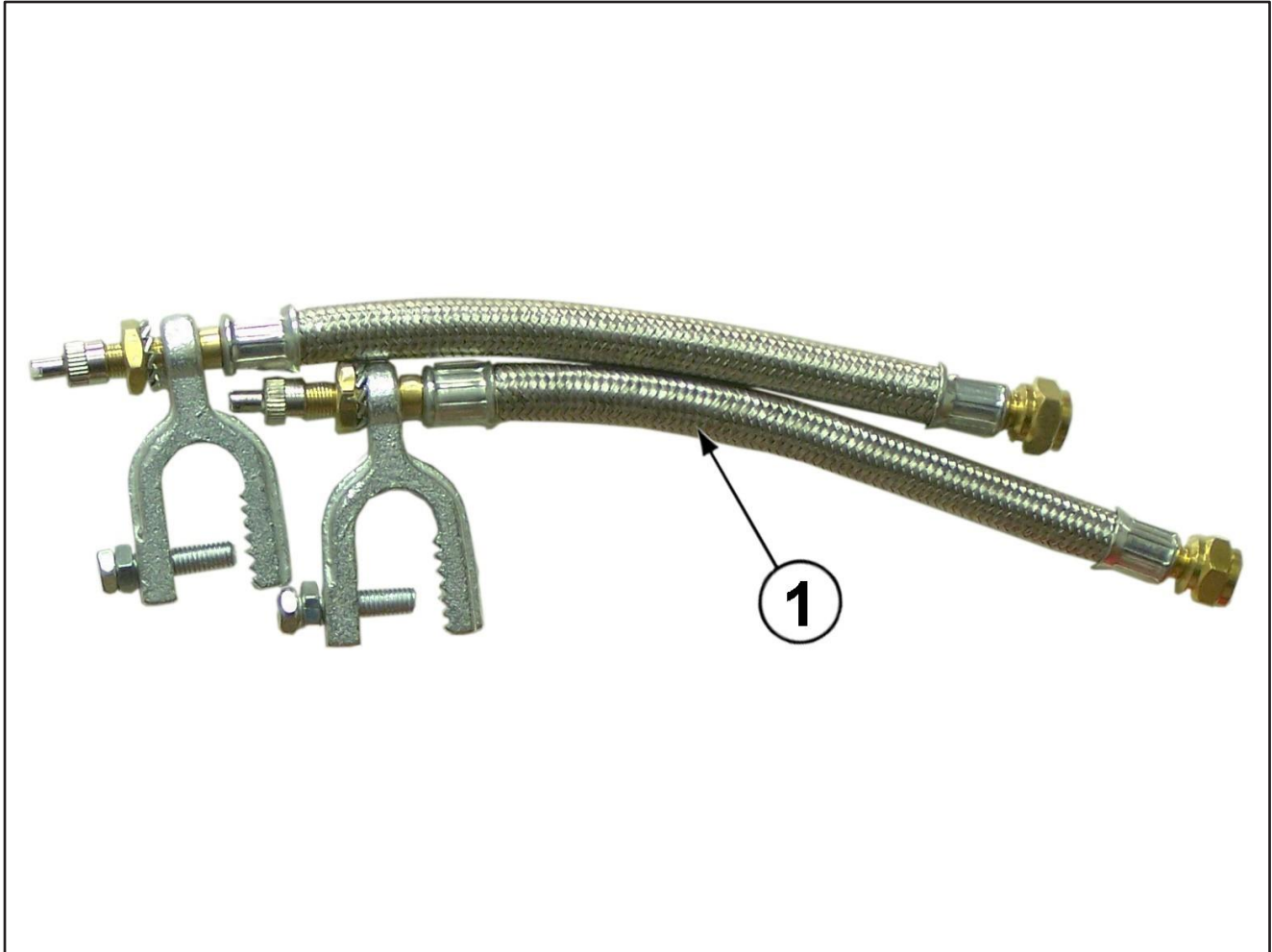
SPARE TIRE (LOOSE)
CH000GU10013 / CH000GX10013

<i>ITEM PART NO. DESCRIPTION</i>	<i>QTY</i>	<i>ITEM PART NO. DESCRIPTION</i>	<i>QTY</i>
01 0570165 WHEEL, 19½ GMT560 8 LUG	1		
02 0570148 TIRE, GOODYEAR (255/70R x 19½)	1		
N/S 0541755 VALVE, AIR (BRASS)	1		



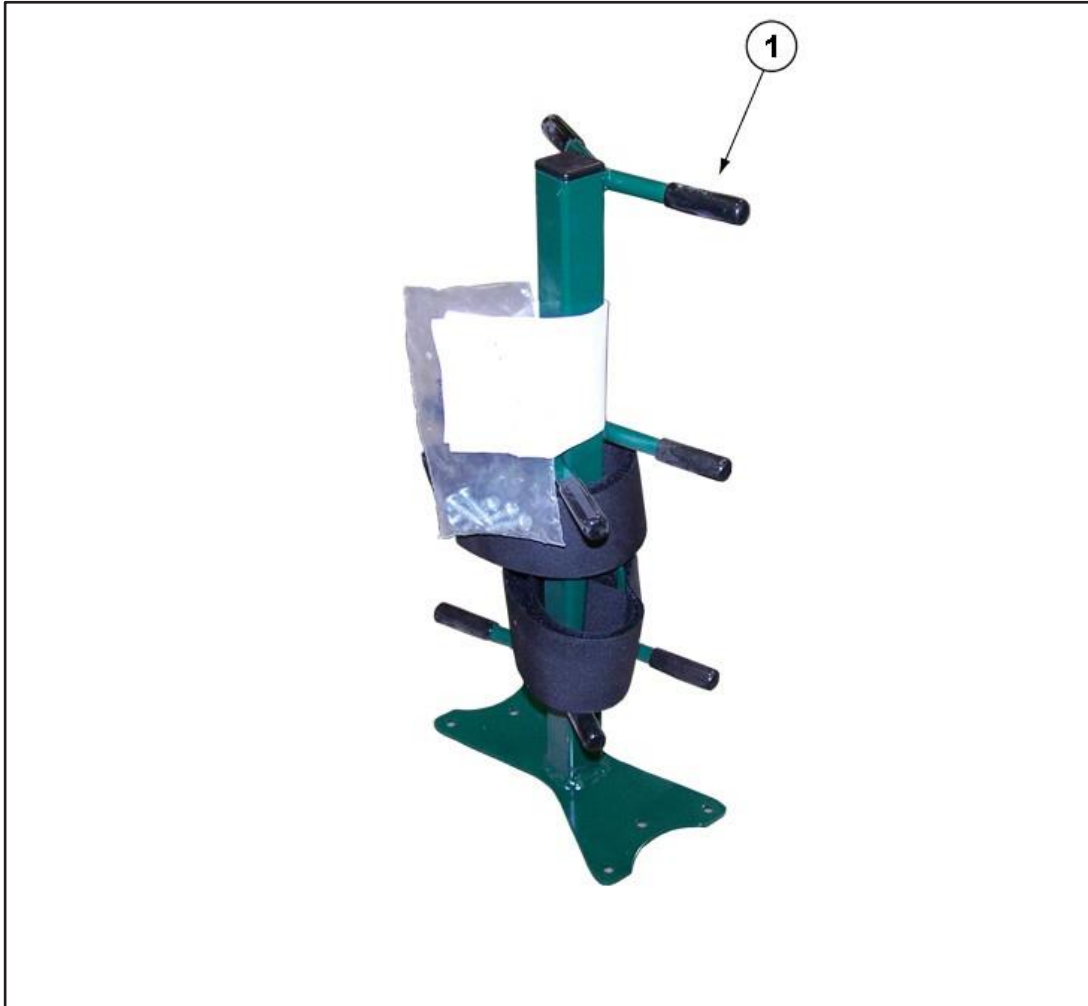
SPARE TIRE (LOOSE)
GMT-000-900-2011L

<i>ITEM PART NO. DESCRIPTION</i>	<i>QTY</i>	<i>ITEM PART NO. DESCRIPTION</i>	<i>QTY</i>
01 0570165 WHEEL, 19½ GMT560 8 LUG	1		
02 0570148 TIRE, GOODYEAR (255/70Rx19½)	1		
N/S 0541755 VALVE, AIR (BRASS)	1		



valve stem extension 0413016

<i>ITEM PART NO. DESCRIPTION</i>	<i>QTY</i>	<i>ITEM PART NO. DESCRIPTION</i>	<i>QTY</i>
01 0570170 Extension, Valve Stem Dual S/S	1		
0570137 Extension, Valve Stem	2		



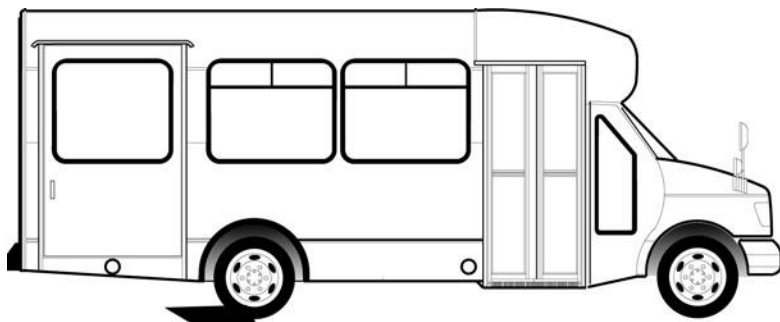
oXYGEN TANK HoLDER
0416427

<i>ITEM PART NO. DESCRIPTION</i>	<i>QTY</i>	<i>ITEM PART NO. DESCRIPTION</i>	<i>QTY</i>
01 0378675 Rack, Oxygen Tank	1		

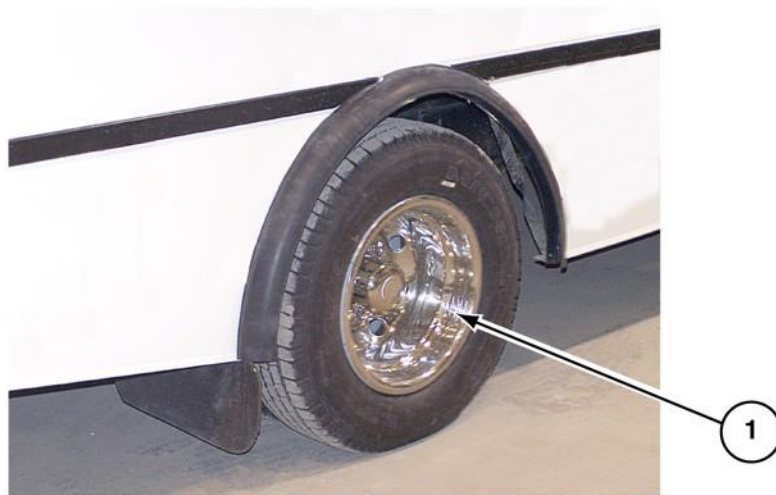
PICTURE NOT AVAILABLE AT THIS TIME

digital thermometer, indoor/outdoor
0415923

<i>ITEM PART NO. DESCRIPTION</i>	<i>QTY</i>	<i>ITEM PART NO. DESCRIPTION</i>	<i>QTY</i>
01 1771375 Thermometer, Digital Ind/Outdoor	1		



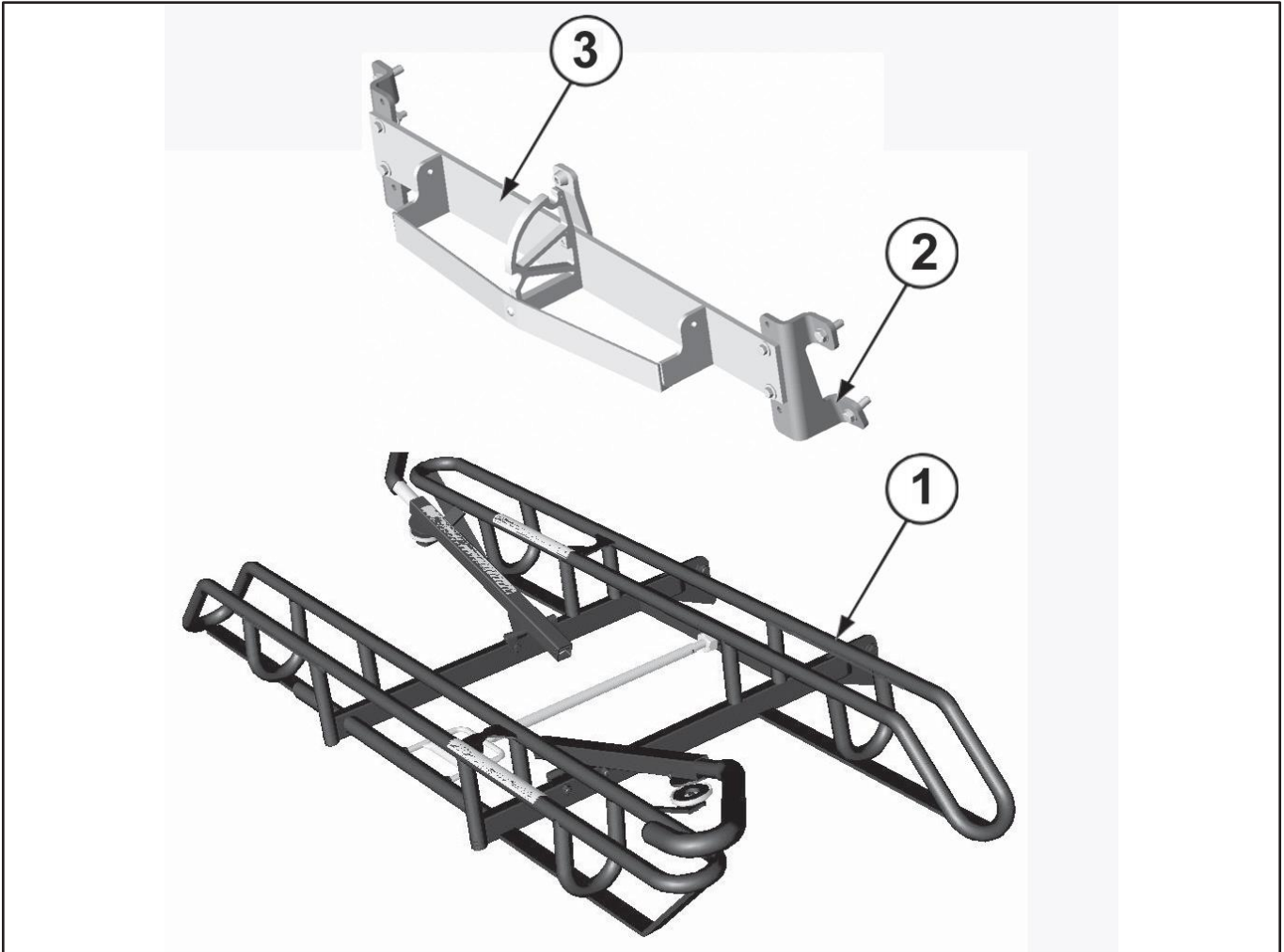
A



VIEW A

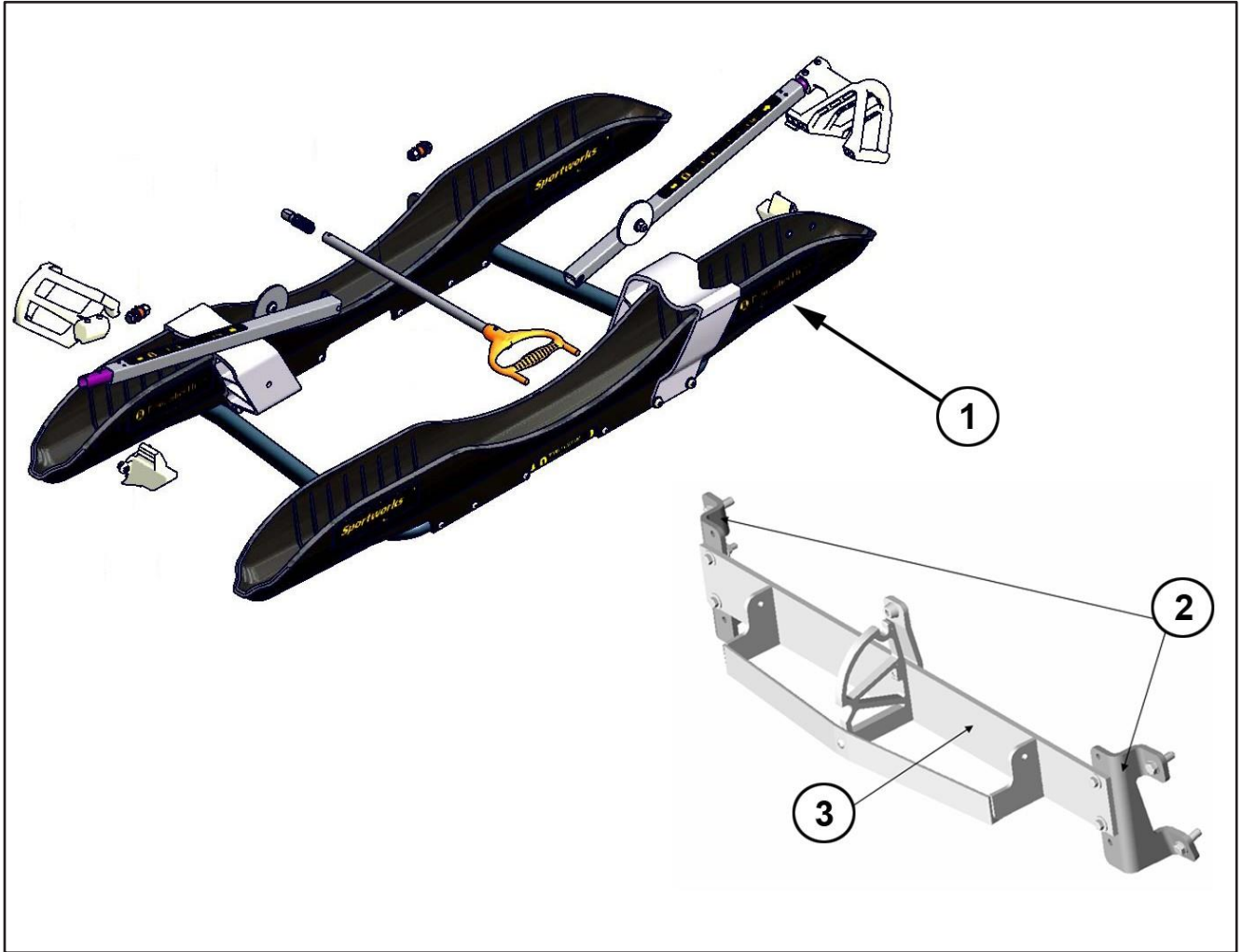
**INSTALL STAINLESS STEEL WHEEL INSERTS
CH-000-990-2212**

<i>ITEM</i>	<i>PARTNO.</i>	<i>DESCRIPTION</i>	<i>QTY</i>	<i>ITEM</i>	<i>PARTNO.</i>	<i>DESCRIPTION</i>	<i>QTY</i>
01	05402292	INSERT, 16" FORD 1604FOL8 (SET OF 4)	1				



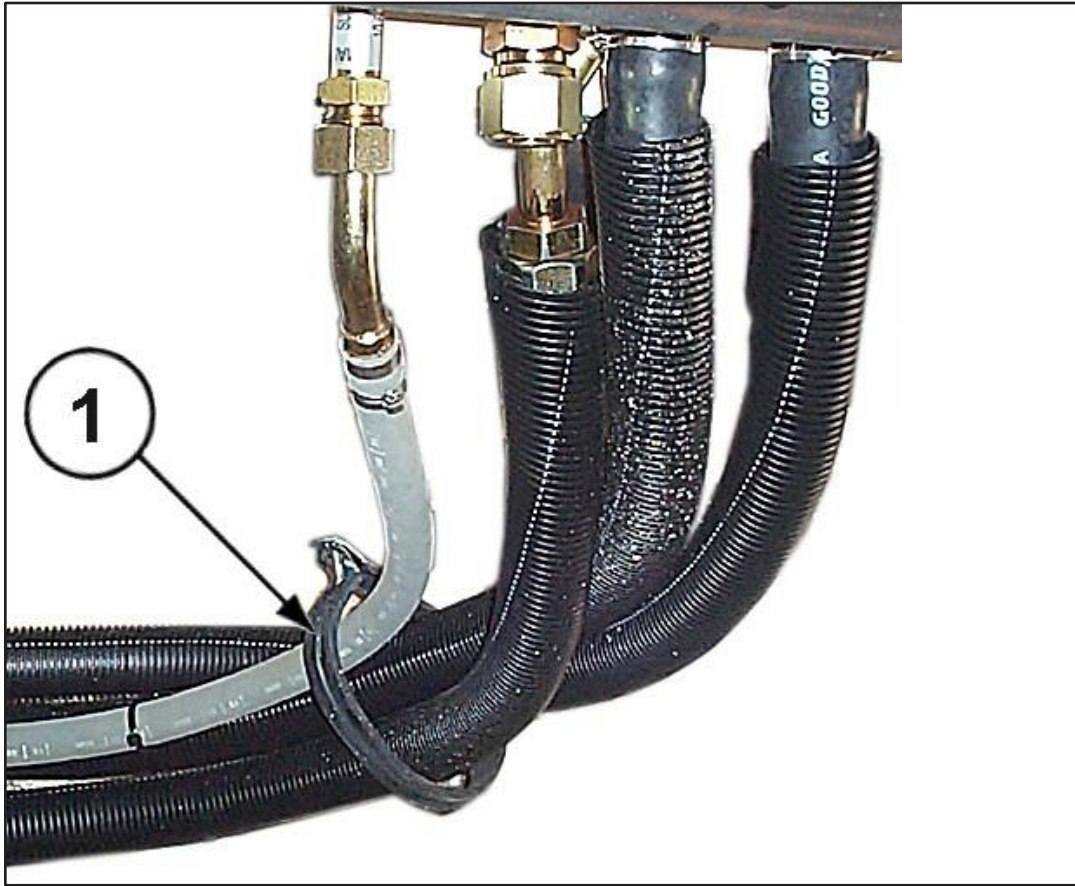
**bike rack dl2 s/s gmt560
0417768**

<i>ITEM PART NO. DESCRIPTION</i>	<i>QTY</i>	<i>ITEM PART NO. DESCRIPTION</i>	<i>QTY</i>
1 6170377 Rack, Bike DL2NP S/S	1		
2 6570130 Bracket, Bike Rack Chevy 5500 GM560	1		
3 6570131 Plate, Pilot Bike Rack Chev 5500	1		



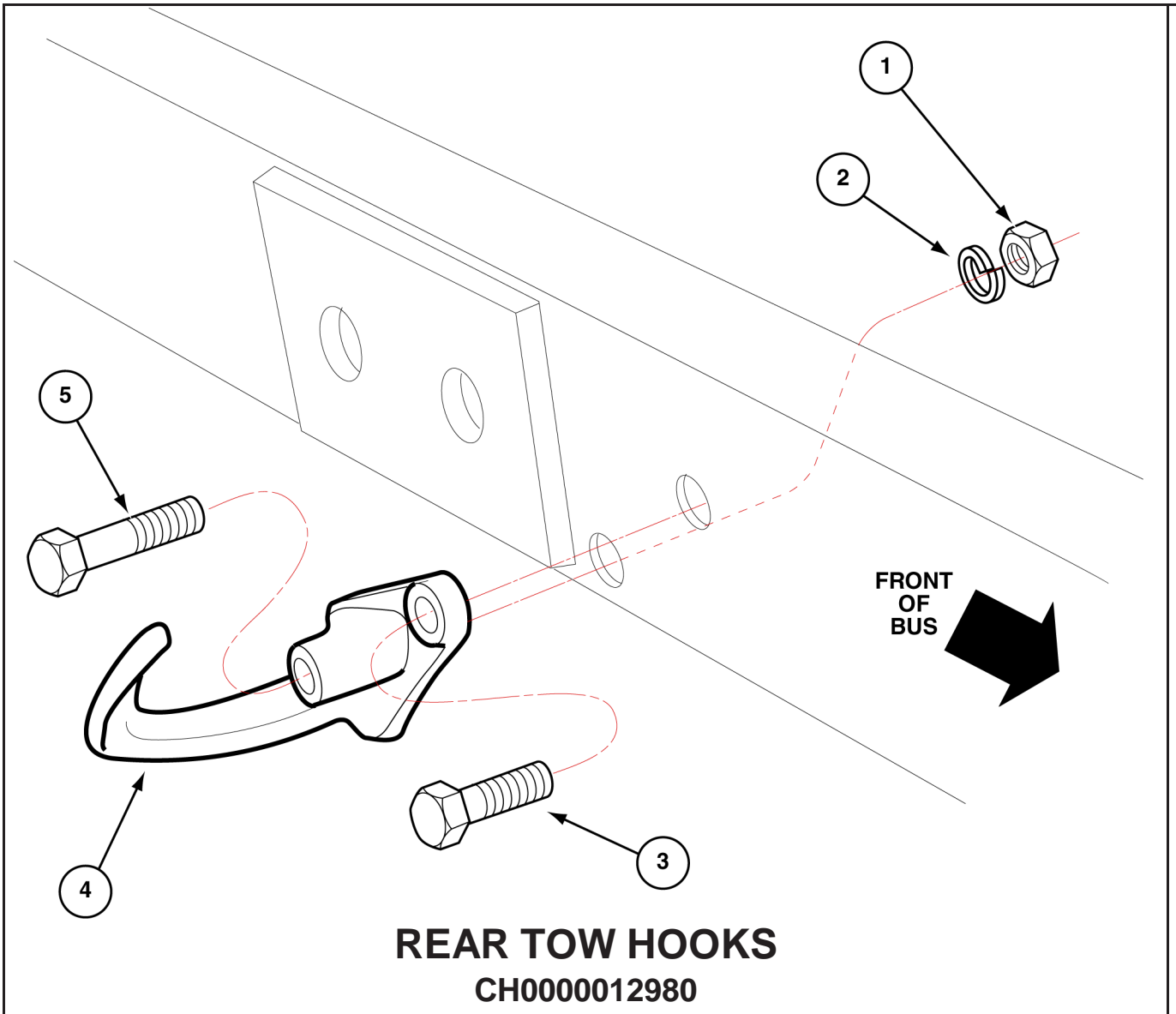
bike rack v-2 velo-porter 0415636

<i>ITEM PART NO. DESCRIPTION</i>	<i>QTY</i>	<i>ITEM PART NO. DESCRIPTION</i>	<i>QTY</i>
1 6370145 Rack, Bike V-2 Velo-Porter GM	1		
2 6570130 Bracket, Bike Rack Chevy 5500 GM	1		
3 6570131 Plate, Pilot Bike Rack Chevy 5500 GM	1		

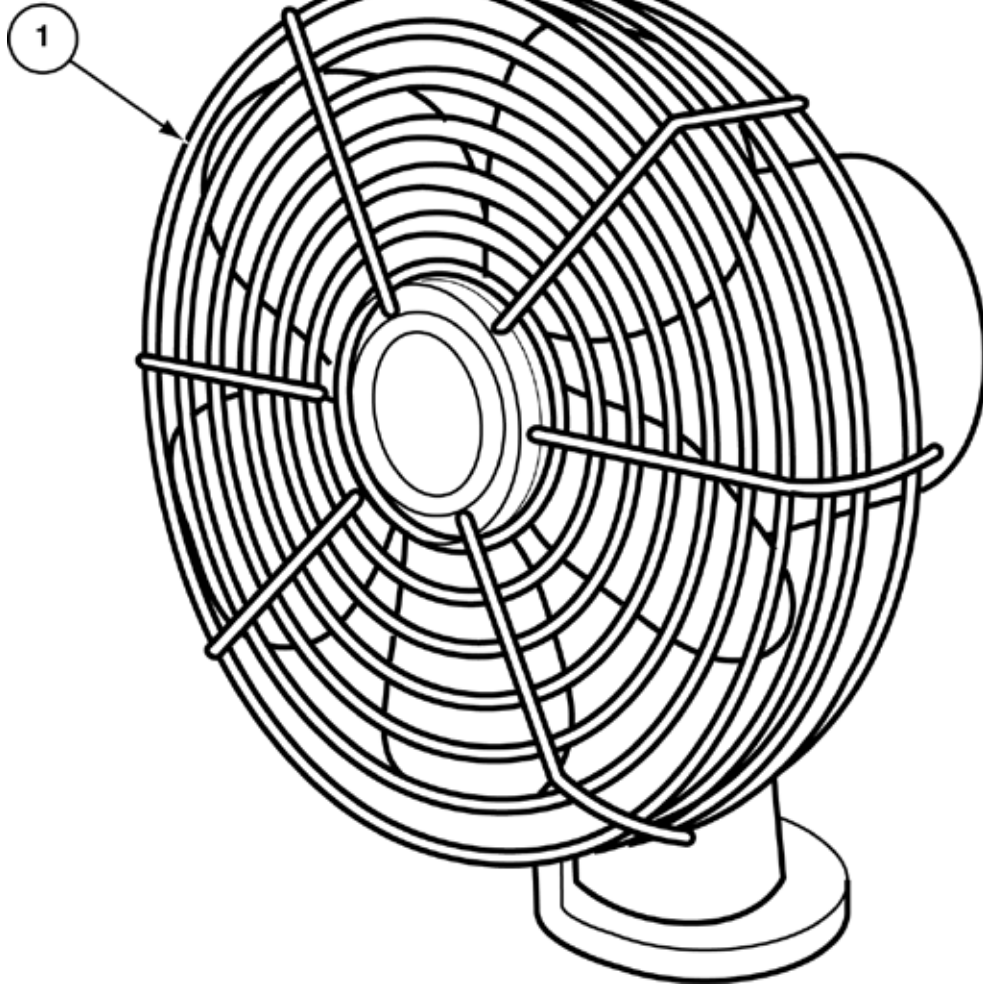


**bracket, p-clamp ac system
0379183**

<i>ITEM PART NO. DESCRIPTION</i>	<i>QTY</i>	<i>ITEM PART NO. DESCRIPTION</i>	<i>QTY</i>
01 0379183 Bracket, P-Clamp Chevy 610 AC	1		



<i>ITEM</i>	<i>PART NO.</i>	<i>DESCRIPTION</i>	<i>QTY</i>	<i>ITEM</i>	<i>PART NO.</i>	<i>DESCRIPTION</i>	<i>QTY</i>
01	8543399	NUT, HEX (5/8-11 GRD 8 USS PLATED)	4				
02	8543407	LOCKWASHER (5/8 HIGH ALLOY)	4				
03	8543381	BOLT, HEX (5/8 x 2-1/2 GRD 8 PLATED)	2				
4	0140061	HOOK, TOW (FINISHED)	1				
5	8543485	BOLT, HEX (5/8 x 3 USS PLATED)	2				



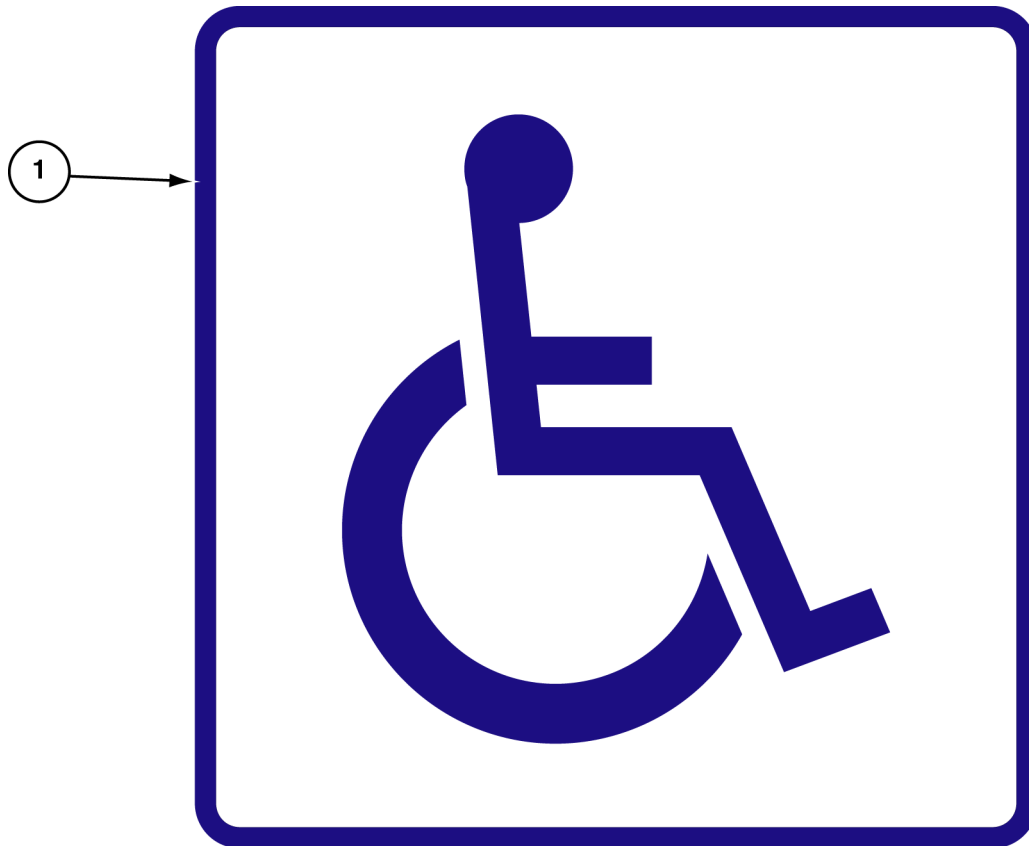
INSTALL DEFROST FAN
0402763 / CH0000022810

<i>ITEMPART NO.</i>	<i>DESCRIPTION</i>	<i>ITEMPART NO.</i>	<i>DESCRIPTION</i>
01	6540728 FAN, DEFROSTER 12 VOLT	1	
N/S	8570768 SCREW (8 x 1-1/2 PAN QUAD BLACK)	4	
N/S	8570053 STAR-WASHER, #10	1	
N/S	3944162 SWITCH, 2-SPEED BLUE	1	
N/S	3971290 BREAKER, 20 AMP	1	



farebox, main m4 1-vault gray
0418457

<i>ITEM PART NO. DESCRIPTION</i>	<i>QTY</i>	<i>ITEM PART NO. DESCRIPTION</i>	<i>QTY</i>
01 6570180 Farebox, Main M4 W/1 Vault Gray	1		



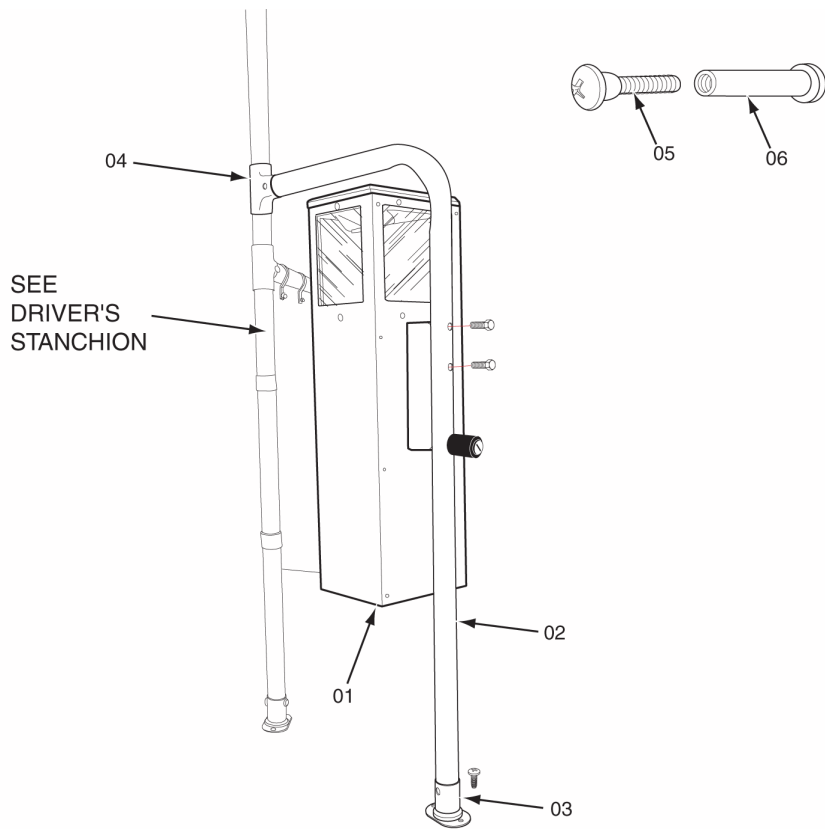
INSTALL PARATRANSIT DECAL
CX-000-900-3106 - CX0000063106

<i>ITEM</i>	<i>PART NO.</i>	<i>DESCRIPTION</i>	<i>QTY</i>	<i>ITEM</i>	<i>PART NO.</i>	<i>DESCRIPTION</i>	<i>QTY</i>
01	8940561	DECAL, PARATRANSIT (8.75 x 8.75)	1				



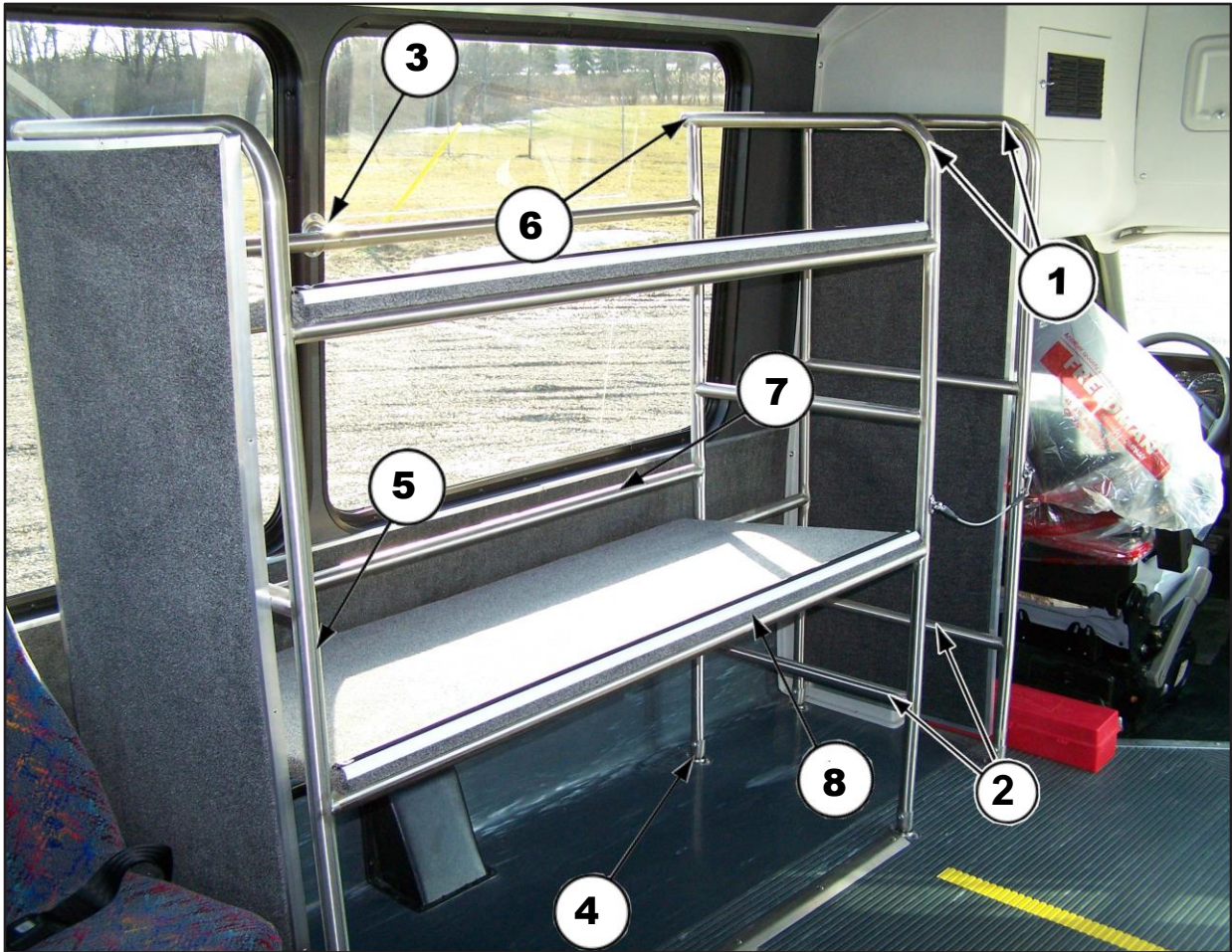
**FRESNAL LENS
CX-000-900-3242**

<i>ITEM PART NO. DESCRIPTION</i>	<i>QTY</i>	<i>ITEM PART NO. DESCRIPTION</i>	<i>QTY</i>
01 5941612 Lens, Wide Angle Rear Window	1		



INSTALL FAREBOX & STANCHION 0409378

<i>ITEM</i>	<i>PART NO.</i>	<i>DESCRIPTION</i>	<i>QTY</i>	<i>ITEM</i>	<i>PART NO.</i>	<i>DESCRIPTION</i>	<i>QTY</i>
01	6570079	FAREBOX, DIAMOND MODEL SV W/2 VAULTS	1				
02	0346494	TUBE	A/R				
3	0376089	FITTING, BASE (S/S OVAL)	1				
4	0346379	FITTING, TEE (S/S ONE HOLE)	1				
5	0346478	BOLT, STANCHION	2				
6	0346460	NUT, STANCHION	2				



LUGGAGE RACK 60" X 26" X 58"

CX-000-900-4045, 0404518, 0402055

<u>ITEM PART NO. DESCRIPTION</u>	<u>QTY</u>	<u>ITEM PART NO. DESCRIPTION</u>	<u>QTY</u>
0402055 End, Luggage Rack Assembly		0404515 Luggage Rack Assembly	
01 0375842 Tube, .065 x 1.25 x 12' S/S 180Grid	1	08 0970009 Plywood, 5/8 x 48 x 96 Sturdi-Floor	AR
02 0346494 Tube, .065 x 1.25 x 17' S/S 180Grid	.3	08 1570211 Carpet, Aqua Turf Gray Metallic #585AR	AR
03 0346379 Fitting, S/S Tee #50100	10	08 4570063 Rail, Rub 16' Loxite White	AR
04 0343695 Fitting, S/S Bottom	2	08 0346494 Tube, .065 x 1.25 x 17' S/S 180Grid	1.5
05 0375842 Tube, .065 x 1.25 x 12' S/S 180Grid	1	NS 0970048 Plywood, 5/8 x 4 x 8 CDX-PTS Untr	AR
06 0348235 Fitting, S/S Bottom Oval 90°	1	04 0343695 Fitting, S/S Bottom #49011	2
07 0346494 Tube, .065 x 1.25 x 17' S/S 180Grid	.3	03 0346379 Fitting, S/S Tee #1495	2
NS 0346478 Bolt, Stanchion 1422 Male	12	NS 8570706 Screw, 10 x 1½ Pan Quad Zinc	12
NS 0346460 Nut, Stanchion 1423 Female	12	NS 8570935 Screw, 8 x 1 Flat QDX T2 Clear EMP	10
		NS 8570788 Screw, 8 x 3/4 Square S/S Self Drill	2



ENTRY DOOR WIRELESS REMOTE
0413886 / CX0000015030

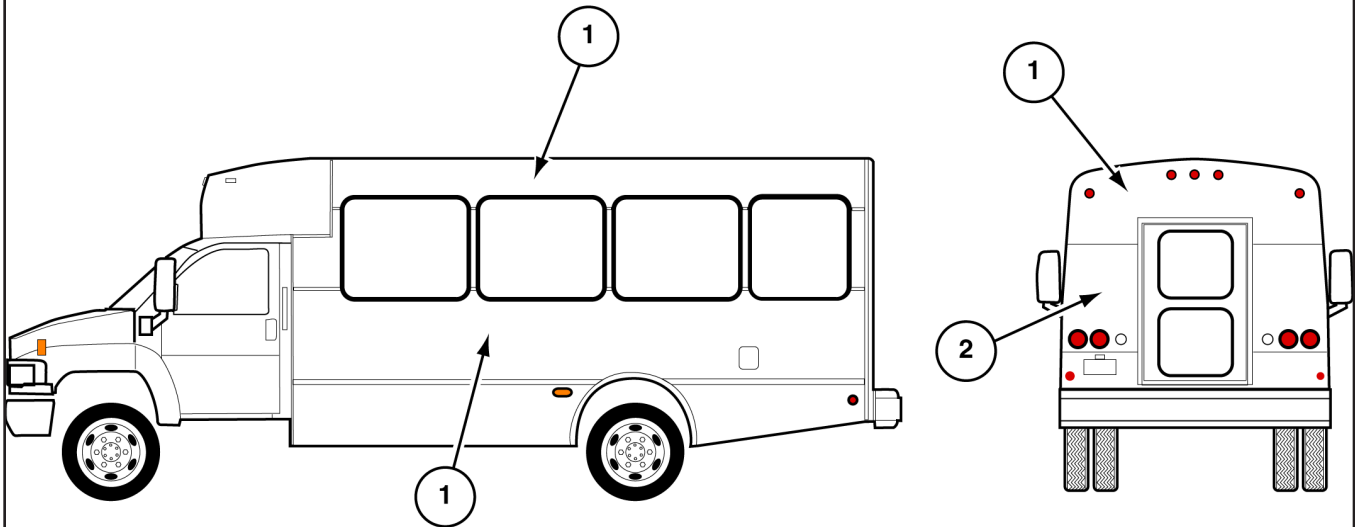
<i>ITEM PART NO. DESCRIPTION</i>	<i>QTY</i>	<i>ITEM PART NO. DESCRIPTION</i>	<i>QTY</i>
01 5370591 REMOTE, ENTRY DOOR WIRELESS	1		



FLASHER W/HEAVY DUTY SWITCH 0404364

ITEM	PART NO.	DESCRIPTION	QTY	ITEM	PART NO.	DESCRIPTION	QTY
01	3973881	Switch, Carling On/Off	1				

**BEFORE PLACING ORDER FOR
EXTERIOR GELCOAT PANELS
YOU MUST HAVE DIMENSION
REQUIRED FOR REPAIR**



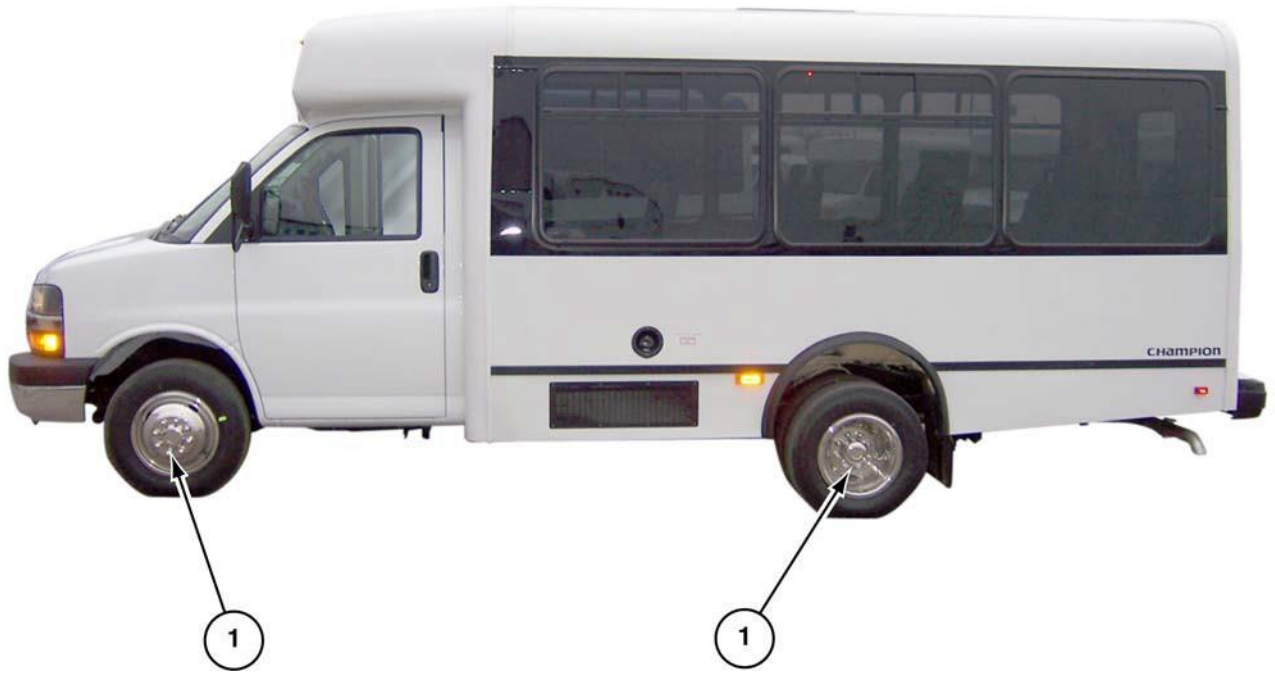
**severe weather package pdot
ch2700055247, 0413993 / 0407876 / 0414067**

<i>ITEM PART NO. DESCRIPTION</i>	<i>QTY</i>	<i>ITEM PART NO. DESCRIPTION</i>	<i>QTY</i>
0415268 Exterior Gelcoat Panels		0414067 Undercoat In Tubes	
01 0970115 Pane, Gelcoat 3.8MM 348" x 48"	AR	NS 9770058 Undercoat, Tectyl 121B	4
02 0970115 Panel, Gelcoat 3.8MM 348" 48"	AR	CH2700030026 5/8 Plywood Flooring Treated	
NS 0970014 Lauan, Raw 3.6MM x 48 x 96	AR	NS 0400450 Floor, Front Board 5/8" Assembly	1
0413993 Wheelwell S/S 14GA		NS 0970044 Plywood, 5/8 x 4 x 8 - 5 Ply ACQ	6
NS 0377822 Wheelwell, Challenger Ford S/S 14GA	2	CX2500046009 HEATER HOSE PIPE WRAP	
0407876 Foamseal 80# North		NS 0770049 Insulation, Pipe 3/8 x 7/8 x 6'	AR
NS 0770073 Resin, S12875 (2500) LB Per Blue Tote	40		
NS 0740019 ISO, FSA/ (3250) LB Per Black Tote	40		



SECTION 11 - OPTIONAL EQUIPMENT

<i>STAINLESS STEEL WHEEL INSERTS.....</i>	<i>108</i>
<i>AM/FM RADIO.....</i>	<i>109</i>
<i>VIDEO SYSTEM.....</i>	<i>110</i>
<i>5½" EXTRA SPEAKERS.....</i>	<i>111</i>
<i>EVENT RECORDER.....</i>	<i>112</i>
<i>ELECTRONIC TACHOLINK RECORDER.....</i>	<i>113</i>



STAINLESS STEEL WHEEL INSERTS
CGT-000-900-2212

<i>ITEM PART NO. DESCRIPTION</i>	<i>QTY</i>	<i>ITEM PART NO. DESCRIPTION</i>	<i>QTY</i>
01 0570120 INSERT KIT, S/S WHEEL (16")	1		



AM/FM RADIO W/PAGE
0414633

<i>ITEM</i>	<i>PART NO.</i>	<i>DESCRIPTION</i>	<i>QTY</i>	<i>ITEM</i>	<i>PART NO.</i>	<i>DESCRIPTION</i>	<i>QTY</i>
01	3973017	RADIO, AM/FM W/PAGE	1				
N/S	3971364	LEAD, ANTENNA (24")	1				
N/S	3971367	ANTENNA, PILLAR MOUNT	1				



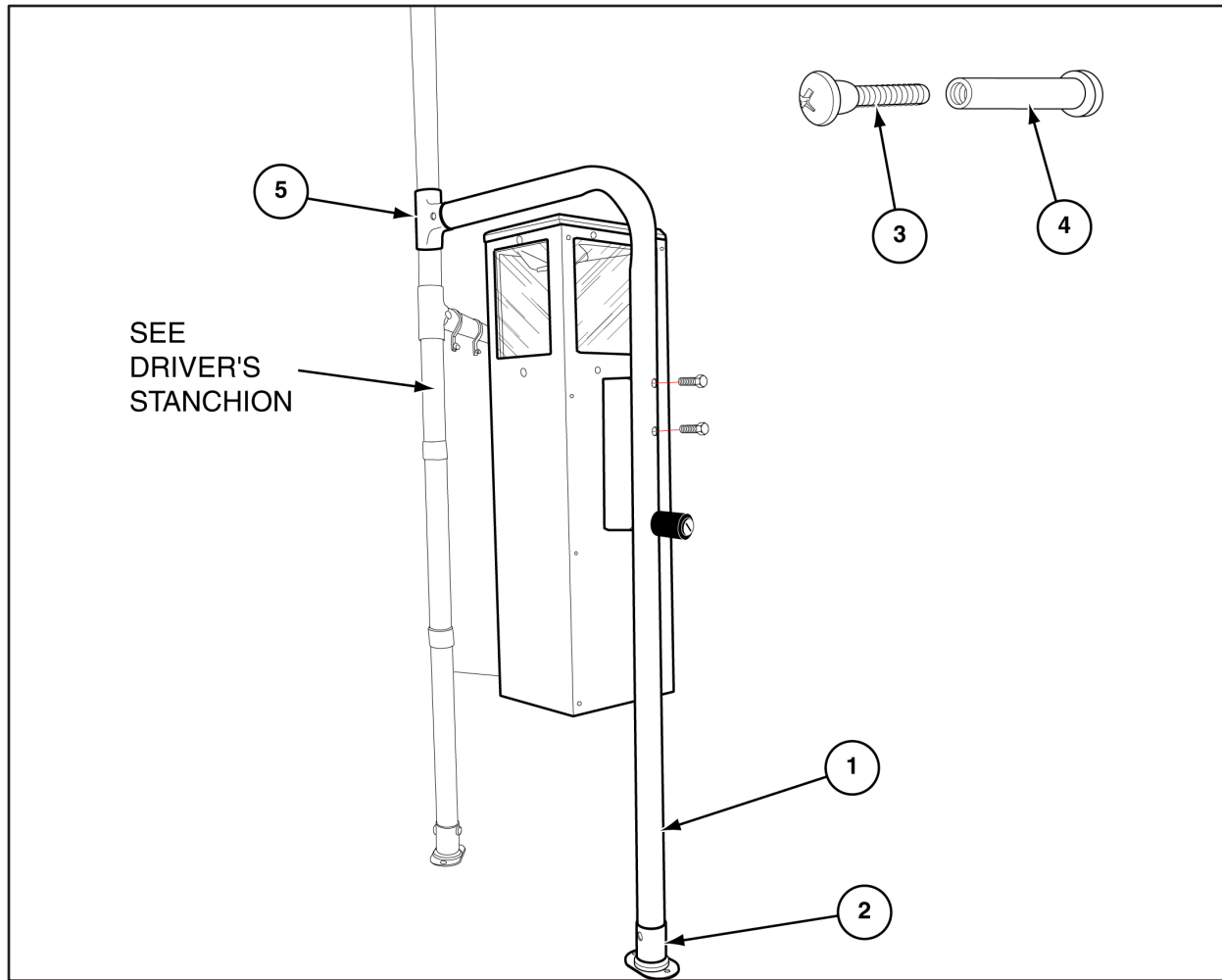
VIDEO SYSTEM
 DVD-0410514, MONITOR-0412553, PADIN-3 - 0412845

ITEM	PART NO.	DESCRIPTION	QTY	ITEM	PART NO.	DESCRIPTION	QTY
01	3971719	DVD, PLAYER FLEXVISION	1				
N/S	3973516	FILTER, POWER 25 AMP	1				
02	3973192	MONITOR, 15" FLAT SCREEN WALL MT	1				
03	3973977	CONTROLLER, PADIN-3	1				
N/S	3973039	MICROPHONE, HAND HELD	1				
N/S	3973037	EXTENSION, MICROPHONE 20'	1				



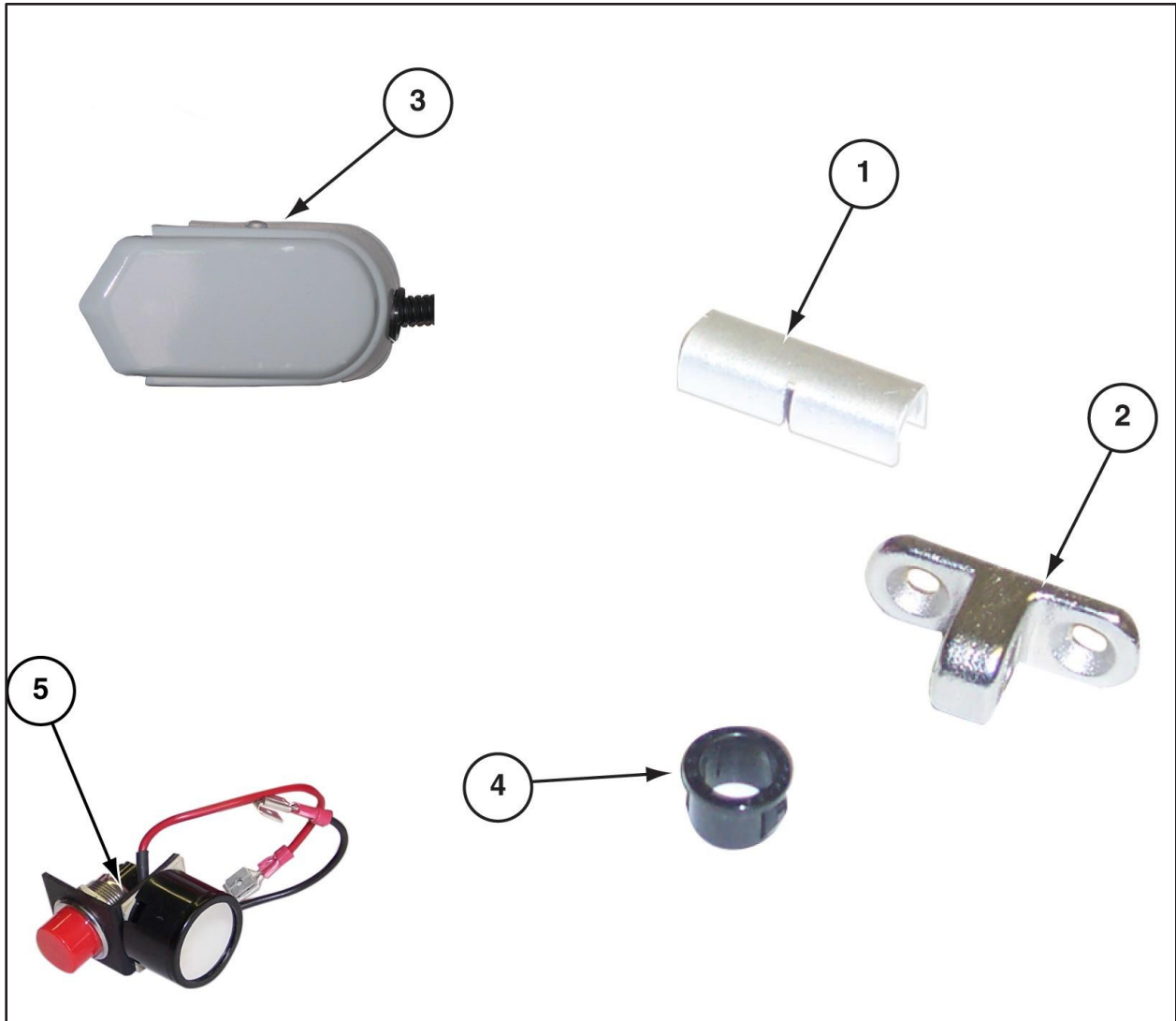
5½" EXTRA SPEAKERS
CH-000-900-2806

<i>ITEM PART NO. DESCRIPTION</i>	<i>QTY</i>	<i>ITEM PART NO. DESCRIPTION</i>	<i>QTY</i>
01 3972268 SPEAKER (5½" EXC-SP-8527)	1		



FAREBOX STANCHION - FIXED RTE PKG
CH-000-900-3134 / CH-000-900-0004

<i>ITEM</i>	<i>PART NO.</i>	<i>DESCRIPTION</i>	<i>QTY</i>	<i>ITEM</i>	<i>PART NO.</i>	<i>DESCRIPTION</i>	<i>QTY</i>
	CH-000-900-3134	FAREBOX STANCHION			CH-000-900-0004	FAREBOX PREP	
01	0346494	TUBE (.065 x 1 1/4 x 17") S/S 180 GRID	A/R	N/S	8570779	SCREW, 1- X 1 PAN HEAD S/S	4
2	0348243	FITTING, S/S OVAL BASE	1	N/S	8571066	BOLT, BINDER MALE & FEMALE 1/4	1
3	0346478	BOLT, STANCHION	2	N/S	0346395	FITTING, S/S BOTTOM TL 200	1
4	0346460	NUT, STANCHION	2	N/S	0374008	SUPPORT, GRAB RAIL 4.03 S/S	1
5	0376089	FITTING, S/S OVAL BASE FLANGE	1	N/S	0346494	TUBE, .065 x 1.25 x 17' S/S 180 GRID	A/R
N/S		SCREW, (10 x 1) PAN HEAD S/S	4	N/S	0377992	PLATE, 3/16" x 8.88" x 12.00" HRS	A/R



passenger pull cord w/lighted buzzer
ch-250-900-2822 / pa0000086016 - FIXED RTE PKG

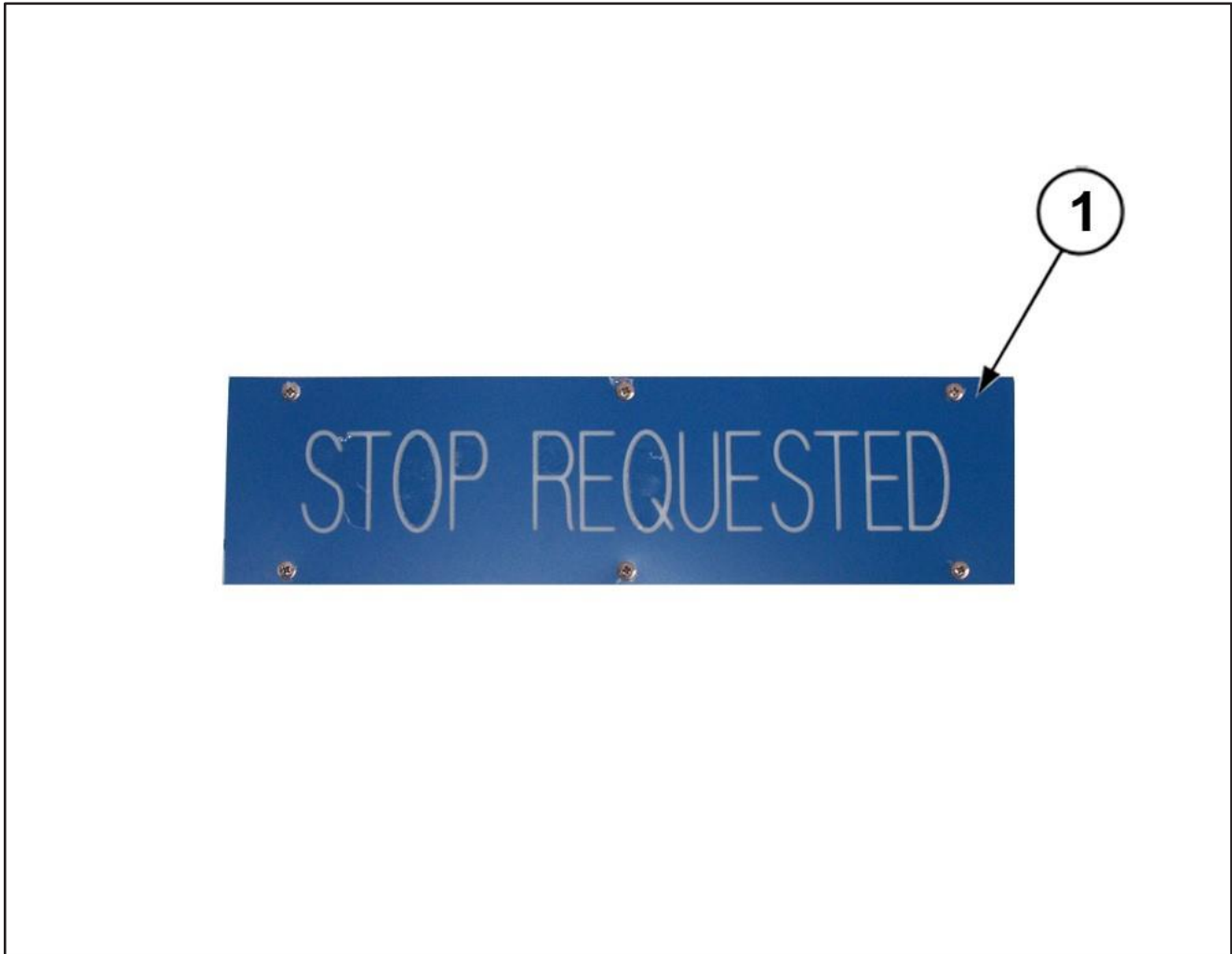
ITEM	PART NO.	DESCRIPTION	QTY	ITEM	PART NO.	DESCRIPTION	QTY
1	4970563	Guide, Pull Chord (Stamped)	11				
2	4970538	Guide, Pull Chord (Cast)	11				
3	3974280	Switch, Pull	2				
04	3971506	Bushing, Snap 1/2"	2				
05	3973085	Buzzer/Light, Stop Request	1				
N/S	4970431	Cable, Pull Chord [3/16" DIA.]	A/R				
N/S	4941654	Connector, Double (3/16)	4				
N/S	3974616	Harness, Pass Stop Request Button	1				
N/S	3971506	Bushing, Snap 1/2"	2				
N/S	4970692	Connector, Oval Sleeve Crimp 3/16	4				
N/S	3944303	Terminal, F/Insu FM/Quick Disc 12-10	2				
N/S	3971952	Chime, Enclosed 12-24 Volt VDC 2-Ton	1				



Install stop request push button

pa0000086016 / 0407645 - FIXED RTE PKG

ITEM	PART NO.	DESCRIPTION	QTY	ITEM	PART NO.	DESCRIPTION	QTY
01	3972467	Push Button, Stop Request	1				



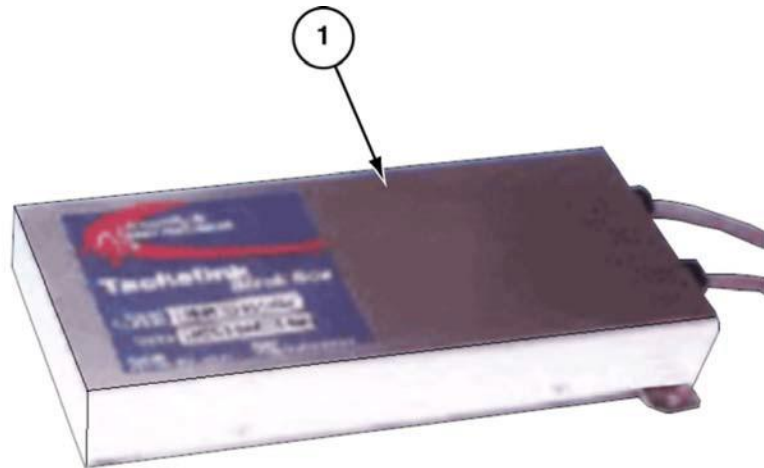
**FIXED rROUTE pKG - rADIO, mICrOpHONE, CABLE
pA0000086016 / 0405478B - FIXED RTE PKG**

ITEM	PART NO.	DESCRIPTION	QTY	ITEM	PART NO.	DESCRIPTION	QTY
01	3973209	Sign, Stop Request Whithe W/Blue Letters	1				
NS	3371094	Shroud, Stop Request Hanging					
	1						
NS	0375669	Bracket, Light Passengers Signal	1				
NS	3971415	Bulb, Side Marker #194	4				
NS	3972105	Socket, Single Contact Push-In	4				
NS	8970410	Tape, Foam 3/8 x 1/2	A/R				
NS	3971797	Switch, Drivers Reset	1				



**FIXED rROUTE pKG - rADIO, mICrOPHONE, CABLE
pA0000086016 - FIXED RTE PKG**

ITEM	PART NO.	DESCRIPTION	QTY	ITEM	PART NO.	DESCRIPTION	QTY
01	3974474	Radio, REI CD/PA 805 PDOT	1				
NS	3973704	Microphone, REI Push To Talk	1				
NS	3973707	Microphone, Clip REI	1				
NS	3974475	Cable, Mic REI PDOT '08	1				



ELECTRONIC TACHOLINK RECORDER
0414040

<u>ITEM PART NO.</u>	<u>DESCRIPTION</u>	<u>QTY</u>	<u>ITEM PART NO.</u>	<u>DESCRIPTION</u>	<u>QTY</u>
01	3973348 RECORDER, ELECTRONIC DATA (TACHOLINK)	1			

BILL OF MATERIAL - LANTA-PDOT (ROHRER BUS)**UNITS #23853-23867**

Item/Components	Description	Qty Per	U/M
0402664	PANEL,MODESTY 24 X 24.25 PADDED VINYL	2	EA
0402664	PANEL,MODESTY 24 X 24.25 PADDED VINYL	1	EA
0405959	INSTALL,FUSE BOX LAMINATED PLYWOOD ASSY	1	EA
0408136	INSTALL,SKIRT PAN METAL CH 23'FLAT FLOOR	1	EA
0408312	INSTALL,DECALS CHAMPION	1	EA
0408366	INSTALL,MUD FLAP 18 X 24	1	EA
0410192	DRIVERS BARRIER W/HAND CUT OUT 3/8 ACRY.	1	EA
0410361	INSTALL,KICKPANEL FIBER TRUE GRIT CH25'	1	EA
0410391	INTERIOR,LONDON SMOKE CH250	1	EA
0410392	CEILING,CARLSBAD SMOKE CH250	1	EA
0410569	INSTALL,BREAKER MANUAL RESET -6 EACH-	2	EA
0411275	INSTALL,RUB RAIL WHITE T-5 25' OR GREATER	1	EA
0411794	INSTALL,LIGHTBAR LONDON SMOKE 25' NORTH	1	EA
0412189	INSTALL,BIO-HAZARD KIT (LARGE)	1	EA
0413219	INSTALL,HOLDER PERMIT	1	EA
0413229	REAR CENTER BRAKE LIGHT LED SOUNDOFF	1	EA
0413512	INSTALL,WINTER GUARD KIT 3 FAN ACT	1	EA
0415014	INSTALL,WEBBING LOOPS 1" BLUE Q5-7580	8	EA
0415615	LIGHTS EXT. ADA LED SOUND-OFF (2 LIGHTS)	1	EA
0415616	TIEDOWN SURE-LOK TITAN AL712S4C P-DOT	2	EA
0415671	INSTALL,LIGHT LED SIDE MARKER FLUSH MOUN	1	EA
0415808	INSTALL,STEPWELL S/S GM610	1	EA
0416072	STANCHION,ENTRY DOOR P-DOT NO MOD PANEL	1	EA
0416513	INSTALL,TIEDOWN NONRET SURELOK TITAN	2	EA
0416960	INSTALL,PARA DOOR DUAL S/S W/ WNDW PDOT	1	EA
0416963	LIGHTS,EXT LED LIGHT PKG SOUNDOFF P-DOT	1	EA
0416968	INSTALL,WINGS ENTRANCE DOOR S/S	1	EA
0417942	INSTALL,MIRRORS ROSCO HTD/RM BLK GMT610	1	EA
0418231	INSTALL,GRABS ENTRY YELLOW DIMPLED MANUA	1	EA
0418316	INSTALL,HOLDER DOOR 6" S/S PDOT PARA/REA	1	EA
0418373	INSTALL,ROOF TEKMO (1) PC 25'	1	EA
0419123	INSTALL,LIGHT DRIVERS SWIVEL LED	1	EA
0419564	ALTERNATOR GMT-610 2010 EMISS PX-422-V4	1	EA
0420374	YELLOW STEP EDGE 30" DOOR RCA FLAT FLOOR	1	EA
0420455	LIGHTS,DOOR ACTUATED DOME PDOT	1	EA
0420871	DOOR 30" MANUAL 23' TRNST R/L FF P-DOT	1	EA
0421018	INSTALL,HATCH ESCAPE 1900 W/TETHER/ALARM	1	EA
0408843-PDOT REV-A	INSTALL,HEATER 45K BTU PROAIR	1	EA
0409486 REV-E	STANCHION,DRIVER'S W/MOD ABS CH/GM/D	1	EA
0416399-PDOT	INSTALL,LIGHTS INTERIOR 12" LED STRIP	1	EA
0416607P-DOT	INSTALL,A/C 70K ACT 50HD GM610 6.0L GAS	1	EA
0416961 REV-A	DOOR,REAR COMP W/2 WINDOW S/S (NEW)	1	EA
0418976-PDOT	INSTALL,LIGHT ENGINECOMP GM/FD LED 12"	1	EA
0419136-PDOT	BOX,BATTERY S/S ENCLOSED ASSY PDOT	1	EA
CH0000023303	AM/FM/CD RADIO W/ 5 SPEAKERS REI P-DOT	1	EA
CH-000-900-0605	MUD FLAPS FRONT CHALLENGER - CRUSADER	0.5	EA

BILL OF MATERIAL - LANTA-PDOT (ROHRER BUS)**UNITS #23853-23867**

CH-000-900-1828C	ALUMINUM DRIVER SIDE RUNNIN BOARD GMT610	1	EA
CH-000-900-2011L	SPARE TIRE (LOOSE) CH-CR FORD	1	EA
CH-000-998-S3201	REAR BUMPER STD CH/CT ASSEMBLY CHEVY	1	EA
CH-000-999-3090	FLAT BACK REAR END CHALL 94" 4DEG	1	EA
CH000GA14047	STREET SIDE EXHAUST CHEVY GM-610 GAS	1	EA
CH230GZ P-DOT-23853	CH230RLFF,159" WB X 6.6,LANTA PDOT		
CH23853W	WINDOW PACKAGE UNIT 23853	1	EA
CH2500053250	INSTALL,DRIP CAP LARGE 1.25" WHITE	1	EA
CH-250-900-1826Y	ROOF HAND RAILS - PAIR CH250 YELLOW D	1	EA
CH-250-900-2010	TRACK SEATING - ENTIRE BUS CH250	1	EA
CH-250-999-0056	GALVANIZED METAL EXTERIOR	1	EA
CH2510030028	FLOOR FULL RUBBER BLACK CH251	1	EA
CR-000-900-0703L	FRONT GLOVE BOX - LOCKING	1	EA
CX0000020128	INSTALL,GROMMETS FLOOR PASS THROUGH	1	EA
CX0000052956	INSTALL,WINDOW 13 X 23 SOLID	2	EA
CX0000060026	INSTALL,POUCH KINEDYNE TIEDOWN GRAY VINY	2	EA
CX0000060047	INSTALL,TRACK "L" FULL LENGTH OF BUS	1	EA
CX0000070208	BACKUP ALARM (SMALL)	1	EA
CX0000070603	EXTINGUISHER FIRE 5 LB	1	EA
CX0000070604	FIRST AID KIT 13 UNIT	1	EA
CX0000071913	STANCHION PADDING - DELUXE (BLACK)	2	EA
CX0000072809	MIRROR 6" X 16" INTERIOR CH-CR-DF	1	EA
CX0000072827	FLARE KIT,REFLECTOR	1	EA
CX-000-900-3110	WHITE STANDEE LINE (DOT)	1	EA
CX-000-900-3121	ELECTRIC HEATED ENTRANCE STEP (EA STEP)	1	EA
CX-000-900-3163S	DRIVER'S COAT HOOK W/TIE STRAP	1	EA
CX-000-900-4014	RET. SEAT BELTS (PER PASSENGER)	12	EA
CX-000-999-0613	SEAT BELT WEB CUTTER SURE-LOK	2	EA
GM-251-004	CHALLENGER,GM610 25'TRANSIT FF CHEVY	1	EA
PA0000026373	LIGHT,STEPWELL LED 18" STRIP DOOR HDER M	1	EA
PA000GJ65516	LIFT PACKAGE RICON S-5510 PDOT 08' GM610	1	EA

Salesperson: JLIPKA

Route To: 1032
 ROHRER ENTERPRISES, INC
 HOWARD ROHRER/OWNER
 P.O. BOX 100
 1515 STATE ROAD
 DUNCANNON PA 17020
 USA

Ship To: 0
 ROHRER ENTERPRISES, INC
 HOWARD ROHRER/OWNER
 P.O. BOX 100
 1515 STATE ROAD
 DUNCANNON PA 17020
 USA

Retail Customer: LANTA PDOT

Order #	Cust PO No.	Ship Via	Pk PP	Date	Ord Terms	Ver Date
B023854	SH-014864	driveaway		03/01/13	NET 30 DAYS	06/10/13

Line Rel	Qty Ord	Item	Extended Price	Net Price
1	1.00	CH230GZ P-DOT-23854 CHALLENGER 183.0 BODY X 281.0 OAL Champion Serial #: 553CH230RLGZ23854 Taxable:		
2	1.00	GZ13S GMT-610 159" WB / 6.6L DSL 14,200 GVWR Chassis Serial #: 1GB6G5BL0D1177999 DUAL 145 AMP ALT POWER SEAT BASE SPARE TIRE/WHEEL Taxable:		
3	1.00	PDOT PCID1130 GM610 STD 2 PENN DOT CHALLENGER STD GM610 2012 14200 ***** ADDITONAL OPTIONS OVERRIDE STANDARDS LISTED BELOW ***** (1) 22002-ALTERNATOR,PX4 200/170 (GAS ONLY) DUAL OEM ALTERNATORS (DSL ONLY) DUAL BATTERIES - OEM OR AFTERMARKET AS LONG AS BOTH BATTERIES ARE THE SAME DAYTIME RUNNING LIGHTS OEM REAR MUD FLAPS (0.5) 10605-MUD FLAPS FRONT (1) 11828-RUNNING BOARD,D/S ALUMINUM CHASSIS MONRONEY STICKERS MUST BE INCLUDED		

Order #	Cust PO No.	Ship Via	Pk PP	Date Ord	Terms	Ver Date
B023854	SH-014864	driveaway		03/01/13	NET 30 DAYS	06/10/13

Line Rel	Qty Ord	Item	Extended Price	Net Price
		(1) 14047-EXHAUST, STREET SIDE **WITHIN 6" FROM REAR BUMPER**		
		(1) 26408-BATTERY, BOX/TRAY S/S ENCLOSED VENTED WHEELS TO BE PAINTED WHITE OEM OEM SPARE TIRE/WHEEL 16.0 SHIP LOOSE - WHEEL PAINTED WHITE EXTENSION, TIRE VALVE STEM -BRASS OEM		
		(1) 46022-70,000 BTU ACT GM610 6.6 DSL MUST USE AEROQUIP HOSE & FITTINGS		
		(1) 46017-70,000 BTU A/C GMT610 ACT 6.0 GAS MOUNT KIT 1771445 REQUIRES ALT 3975428 MUST USE AEROQUIP HOSE & FITTINGS EVAPORATOR CLOSE OUT PANEL IS REQUIRED WITH ANY A/C PACKAGE WITH A REAR A/C EVAPORATOR		
		(1) 40017-ACT-WINTER GUARD 3 FAN ACT SYSTEM		
		(1) 53170-STEPWELL, STAINLESS STEEL 14GA		
		(1) 33261-WINGS ENTRANCE DOOR S/S P-DOT 30" MANUAL ENTRANCE DOOR		
		(1) 43121-ELECTRIC HEATED ENTRANCE STEP (EACH) 16 GAUGE STEEL WHEEL WELLS STEEL CAGE CONSTRUCTION W/ GATOR SHIELD CORROSION PROTECTION		
		(1) 23044-ENGINE COMPT LIGHT LED 12" STRIP		
		(2) 20059-BREAKER, CIRCUIT MANUAL RESET -6 EACH **IN LIEU OF FUSES**		
		(2) 20160-SPARE WIRE IN MAIN HARNESS **10 GAGE UN DEDICATED HOT AND UN DEDICATED IGNITION WIRE MUST BE RAN AND TERMINATED INSIDE ELECTRICAL BOX** CARLING ROCKER SWITCHES MOUNTED IN DASH		
		(1) 22004-MODULE, SHIFT INHIBITOR DURATRANS		
		(1) 23268-LIGHTS, LED ALL EXTERIOR SOUND OFF: **INCLUDES GUARDED FRONT CLEARANCE, SIDEMARKER LED FLUSH MOUNT, REAR CENTER BRAKE LED ROUND		
		(1) 25334-LIGHTS LED ADA EXTERIOR SOUNDOFF		
		(1) 23517-LIGHTS, BACKUP LED SOUNDOFF MODEL ECVR42B3W SOUNDOFF - 2 QTY		
		(1) 26373-PDOT-LIGHT, LED STEPWELL 18" STRIP LIGHT DOOR HEADER MN- ACTS AS INTERIOR AND EXTERIOR ENTRANCE LIGHTING MEETING ADA **IN LIEU OF STANDARDS STEPWELL LIGHTS**		

Order #	Cust PO No.	Ship Via	Pk PP	Date Ord	Terms	Ver Date
B023854	SH-014864	driveaway		03/01/13	NET 30 DAYS	06/10/13

Line Rel	Qty Ord	Item	Extended Price	Net Price
		(1) 25349-WIRING,COLOR/NUMBER/FUNCTION CODED 6 INCHES MINIMUM		
		(1) 23124-LIGHTS,DOOR ACTUATED DOME PDOT - TIED TO LIFT, REAR, AND ENTRANCE DOOR		
		(1) 23303-RADIO,AM/FM/CD W/5 SPEAKERS REI		
		4 IN PASSENGER COMPARTMENT, ONE IN DRIVER'S AREA		
		INLCUDES 3 YR 36K WARRANTY		
		(0.75) 26372-LIGHTS,INTERIOR LED 12" STRIP SOUND OFF IN LIEU OF STANDARD DOME QTY OF 6		
		(1) 23516-LIGHT,DRIVER SWIVEL LED IN LIEU OF STANDARD DOME LIGHT UNDER BULKHEAD ELECTRICAL FUSE PANEL LOCATED ABOVE DRIVER		
		(1) 70208-BACKUP ALARM (SMALL)		
		(1) 45039-HEATER 45,000 BTU MUST BE 2 MANUAL SHUT OFF VALVES - 1 FOR INTAKE & 1 FOR RETURN COOLANT		
		(1) 13018-FUEL SEND UNIT ACCESS COVER S/S NON SKID USE 1.5 INCH SELF-DRILLING, PAN-HEADED SCREWS. MID STATES # 8G150UQP		
		(1) 20128-GROMMETS ALL FLOOR PASS THROUGHS		
		(1) 33239-PLYWOOD,3/4 MARINE GRADE FLOOR ANGLE CUT RIBBED RUBBER IN ENTRANCE AREA 30028-FLOOR FULL RUBBER BLACK RCA PER FOOT		
		QUANTITY DEPENDS ON MODEL LENGTH		
		(1) 33117-YELLOW STEP NOSINGS		
		(1) 33110-WHITE STANDEE LINE TRACK SEATING LONDON SMOKE INTERIOR FLAT LONDON SMOKE WIRE BARS CARLSBAD CEILING BLACK FIBERGLASS KICK PANEL UNDER SEAT RAIL GALVANIZED STEEL EXTERIOR 30015-SEAL EXPOSED EXT PANEL CUT EDGES- SEE VWI-2012-0061 ROOF ONE PIECE COMPOSITE PER LF BLACK STEEL POWDER COATED REAR BUMPER 2" ALUMINUM RUB RAIL 71101-KICK OUT WINDOW (ADDITIONAL) **ALL PASSENGER WINDOWS MUST BE EMERGENCY EGRESS** **QUANTITY DEPENDS ON MODEL LENGTH - REFERENCE FLOOR PLAN**		
		(1) 55245-DOOR REAR COMP S/S W/ 2		

Order #	Cust PO No.	Ship Via	Pk PP	Date Ord	Terms	Ver Date
B023854	SH-014864	driveaway		03/01/13	NET 30 DAYS	06/10/13

Line Rel	Qty Ord	Item	Extended Price	Net Price
		WINDOWS		
		(1) 52956-WINDOWS BOTH SIDES OF REAR DOOR (2)		
		72956-PDOT-HOLDER, DOOR LATCH 6" T-HANDLE S/S		
		REAR DOOR AND EACH LIFT DOOR LEAF		
		QUANTITY DEPENDS ON LIFT DOOR		
		(1) 75526-ESCAPE HATCH 1900 TRANSP W/TETHER/SWITCH - AUDIBLE ALARM WIRED DIRECT		
		(1) 53250-DRIP MOLDING OVER WINDOWS LARGE		
		MOUNT A PIECE ON THE FRONT CAP OVER THE DRIVER'S DOOR		
		MOUNT A PIECE ABOVE THE REAR DOOR		
		(1) 73258PDOT-GRAB RAIL RH & LH YELLOW DIMPLE ENTRY		
		LEFT HAND GRAB RAIL WITH STANCHION AND MODESTY PANEL BEHIND ENTRANCE STEP		
		** MUST BE 27" FROM SIDEWALL TO OUTER EDGE OF STANCHION**		
		(1) 70017-STANCHION W/INTEGRATED RIGHT HAND GRAB (ONLY WITH ELECTRIC DOOR)		
		STANCHION TO BE STANDARD STEEL TUBING, GRAB RAIL TO BE YELLOW DIMPLED		
		(1) 71828-GRAB RAILS ROOF MTD YELLOW DIMPLED		
		(2) 71913-STANCHION, PADDING BLACK (1 SET)		
		(2) 71103-MODESTY PANEL COVERD IN PADDED VINYL		
		(1) 73040-STANCHION, W/MODESTY/DRIVERS BARRIER		
		(1) 70604-KIT, FIRST AID - 13 UNIT		
		(1) 70603-EXTINGUISHER FIRE 5 POUND		
		(1) 72827-FLARE KIT - REFLECTOR		
		(1) 71938-BIO-KIT, LARGE - MOUNT BEHIND DRIVER ON MODESTY PANEL		
		(2) 70613- SEATBELT WEB CUTTER		
		(1) 72809 P-DOT-MIRROR, INTERIOR 6.0 X 16.0		
		(1) 81227-DECAL, CLEARANCE HEIGHT CLEARANCE HEIGHT PLUS 2" 1.5" LETTER HEIGHT MINIMUM VISIBLE TO THE DRIVER		
		(1) 83003H-HOLDER, INSURANCE CERTIFICATE MOUNT ON FRONT BULK HEAD		
		(1) 14100-SUSPENSION, CHASSIS FRONT END ALIGNMENT		
		FULL BODY UNDERCOAT		
		(1) 73300-MIRRORS, EXT MANUAL VELVAC GMT 610		
		SEAT TRACK COVER TO SIDEWALL SEAT TRACK		

Order #	Cust PO No.	Ship Via	Pk PP	Date Ord	Terms	Ver Date
B023854	SH-014864	driveaway		03/01/13	NET 30 DAYS	06/10/13

Line Rel	Qty Ord	Item	Extended Price	Net Price
		OEM 6-WAY POWER PEDESTAL WITH OEM DRIVER'S SEAT CBI PARTS MANUALS-CD (1) 23152-AS BUILT WIRING DIAGRAMS *ALL BATTERY CABLE TO BE 2/0 SGX *FOAM INSULATION 1/2" THICK - R VALUE 8 Taxable:		
4	1.00	COMMENT 15 UNITS ALIKE 23853-23867 Taxable:		
5	1.00	55246 DOOR, PARA DUAL COMP S/S W/ 1 WINDOW Taxable:		
6	1.00	65516 P-DOT08' LIFT PACKAGE RICON S5510 403/404 **REQUIRES 2 DECALS PART #8940561 - DECAL, PARATRANSIT 8.75 X 8.75; SHIP BOTH LOOSE IN THE BLUE PACKET THAT GOES WITH THE BUS** -ADALIFT LIGHTING-ADA ENTRY LIGHTING-PARK INTERLOCK-PRIORITY SEATING SIGNS-WHEELCHAIR LOCATION SIGNS-STEEL FLOOR MOUNTING PLATE GUARDED PENDANT CABLE BOM:WHEN UNIT CALLS FOR A FRONT LIFT REMOVE P/N'S #3371244, 3371224 & 3371228. Taxable:		
7	2.00	60026 P-DOT TIEDOWN SURELOK TITAN SYSTEM P-DOT 2- 60026 POUCH SUR-LOCK 2-SURE-LOK "L" TRACK RETRACTOR-TITAN SERIES 8-FOUR BELT LOOPS W/C PER LOCATION Taxable:		
8	2.00	65533 TIEDOWN SURELOK TITAN NON-RETRACTABLE Taxable:		
9	2.00	60026 POUCH, KINEDYNE TIEDOWN - VINYL Taxable:		
10	8.00	61055 STRAP QUICK SURELOK 16" Taxable:		
11	1.00	SEAT PACKAGE		

Order #	Cust PO No.	Ship Via	Pk PP	Date Ord	Terms	Ver Date
B023854	SH-014864	driveaway		03/01/13	NET 30 DAYS	06/10/13

Line Rel	Qty Ord	Item	Extended Price	Net Price
----------	---------	------	----------------	-----------

SALES SEAT PACKAGE

 (6) 94066-SEAT, 35" FSC TWO STEP FOLDAWAY
 FLIP
 (12) 90047-LEVEL 4 FABRIC UPGRADE (PER
 PASSENGER) #114 D90 GRAY
 (12) 94014-74" RETRACTABLE SEAT BELTS
 (12) 90060-FTA NEOPRENE FOAM PASSENGER
 SEATS
 (4) 95015-SEAT, FREEDMAN-AV GRAB MOLDED -
 AISLE SIDE
 (6) 90030-FREEDMAN US ARM (FLIP UP) -
 AISLE SIDE
 D-90 FLAME BLOCKER UNDER ALL CUSHIONS
 SEAT INSERT TO COVER BOTTOM OF SEAT
 CUSHION - TOTALLY ENCAPSULATED

 SEAT BELTS ARE REQUIRED WITH ALL FORWARD
 FACING SEATS - SALES TO SPECIFY WHAT
 TYPE - EFFECTIVE ON ALL ORDERS TAKEN
 AFTER MAY 1, 2012

Taxable:

- 12 1.00 06000
DISCOUNT ASSISTANCE
Taxable:
- 13 1.00 GPC
GOVERNMENT PRICE CONCESSION (CHASSIS)
Taxable:
- 14 1.00 CMC
CHEVY MOBILITY CONCESSION
Taxable:
- 15 1.00 30007 P-DOT
FLAT FLOOR (RAISED 6")
Taxable:
- 16 1.00 60047 P-DOT
L-TRACK FULL LENGTH OF BUS P-DOT

6 WHEEL CHAIR POSITIONS

INCLUDES FLOOR AND SHOULDER BELT TRACK
ABOVE WINDOWS
Taxable:
- 17 1.00 73280
MIRRORS ROSCOE HTD/RMT BLK GM610 FENDER
Taxable:
- 18 1.00 73040 PDOT

Order # Cust PO No. Ship Via Pk PP Date Ord Terms Ver Date

B023854 SH-014864 driveway 03/01/13 NET 30 DAYS 06/10/13

Line Rel Qty Ord Item Extended Price Net Price

STANCHION,W/MODESTY/ BARRIER

 LOCATE IN FRONT OF LIFT

Taxable:

19 1.00 71103
 MODESTY PANEL COVERD IN PADDED VINYL

 IN ADDITION TO STANDARD FOR LIFT
 STANCHION

Taxable:

20 1.00 80008 P-DOT
 FRONT GLOVE BOX, LOCKING

Taxable:

21 1.00 83163 PDOT
 DRIVER'S COAT HOOK W/TIE BACK

Taxable:

22 1.00 COMMENT
 DELETE FUEL ACCESS COVER

Taxable:

23 531.00 FREIGHT DSL
 FREIGHT DRIVEAWAY DSL

Taxable:

24 1.00 NO WHITE PAINT
 NO WHITE PAINT

Taxable:

25 1.00 DISC
 X
 PURCHASER AGREES SIGNING CONFIRMATION AS
 WRITTEN ABOVE CONSTITUTES ACCEPTANCE OF
 MODEL, OPTIONS/ACCESSORIES, PRICES,
 TERMS AND CONDITIONS STATED HEREON AND
 ANY CHANGES MAY BE SUBJECT TO ADDITIONAL
 CHARGES.

Taxable:

26 1.00 00001
 CHANGE ORDER
 # 10135

Taxable:

Order #	Cust PO No.	Ship Via	Pk PP	Date Ord	Terms	Ver Date
B023854	SH-014864	driveaway		03/01/13	NET 30 DAYS	06/10/13
Line Rel	Qty Ord	Item		Extended Price		Net Price

EST. SHIP DATE
CONFIRMATION
SIGNATURE _____ CONFIRMATION DATE